

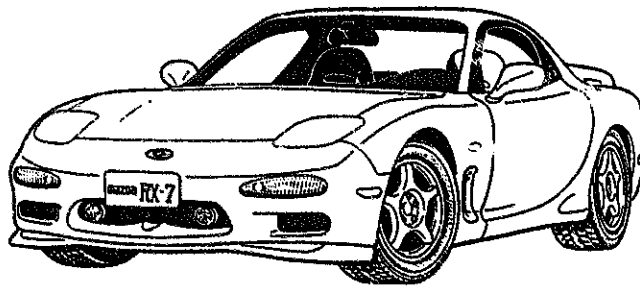
This file is available for free download at <http://www.iluvmyrx7.com>



www.iluvmyrx7.com

Parts Catalog

Mazda RX-7
U.S.A.
(94)



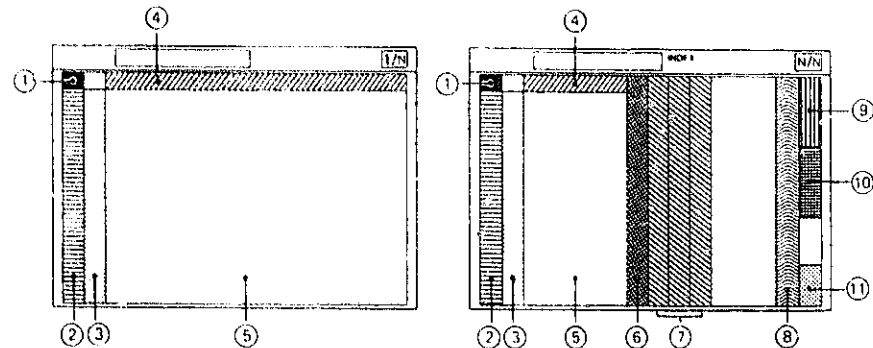
FD333 • 30001-31000

Apr. '95 (FINAL)
Catalog No. AU-FA05-03

mazda
© 1995 Mazda Motor Corporation

LAYOUT OF CONTENTS / DISPOSITION TYPOGRAPHIQUE DE CONTENU / DISPOSICION DEL CONTENIDO / ANORDNUNG DES INHALTS

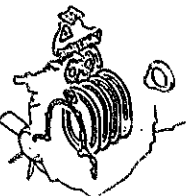
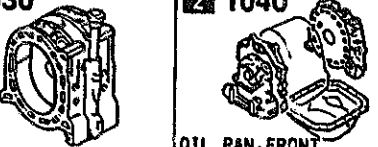
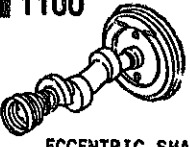


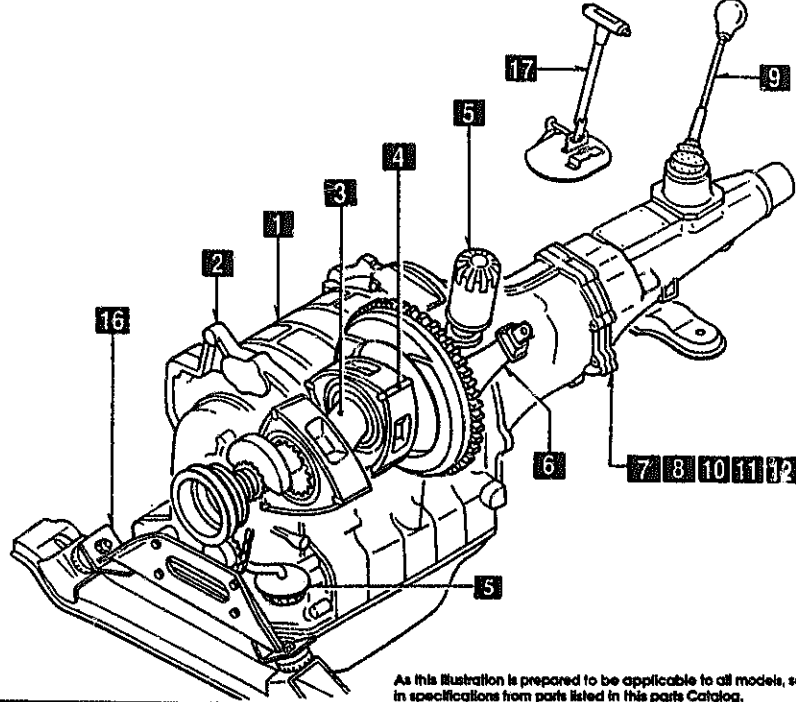
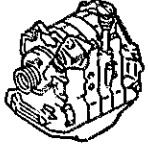
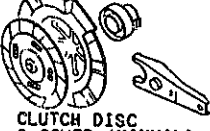

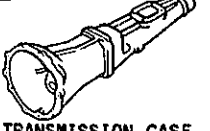
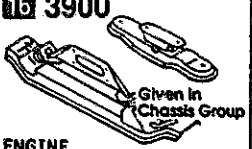

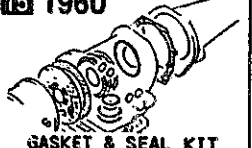

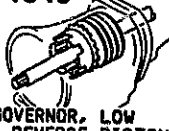



- The following is a typical example of the layout of contents on Mazda microfiche parts catalog
- Voici un exemple typique de la disposition typographique de contenu dans les microfiches de catalogue des pièces de Mazda.
- El siguiente es un ejemplo típico de la disposición del contenido en una microficha del catálogo de repuestos de Mazda.
- Folgendes ist ein typisches Beispiel der Inhaltsanordnung des Mazda-Mikrofiche Teilekatalogs.








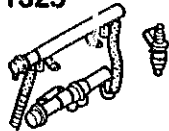
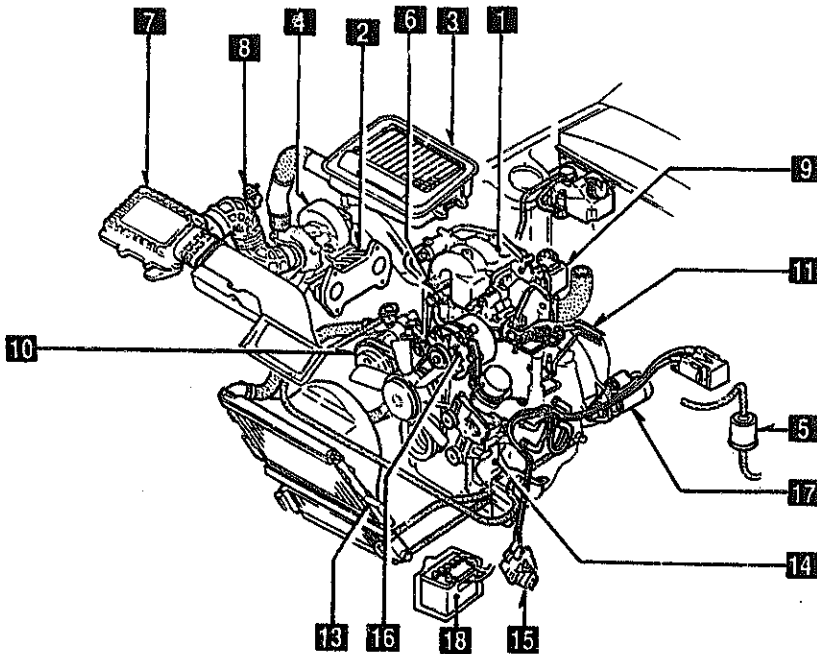
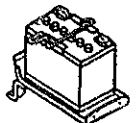
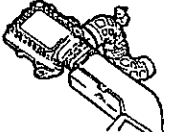


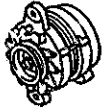
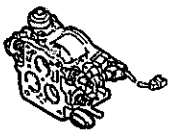
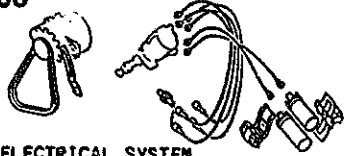
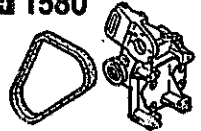
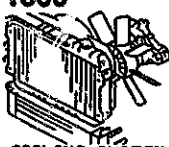
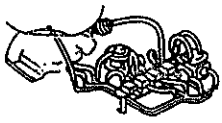
Remark: The items listed under ④ have been deleted from each fiche since Dec. '93

- | | | |
|--|---|---|
| ① • Layout of contents
• Disposition Typographique de Contenu
• Disposición del contenido
• Anordnung des Inhalts | ② • Pictorial Index
• Index par Schémas
• Índice Gráfico
• Illustrierter Index | ③ • Master Section No. Index
• Index des Numéros des Sections Totale
• Índice del Número de la Sección Maestra
• Hauptabschnittsnummer-Index |
| ④ • Section No. Index for the Column
• Index des Numéros des Sections pour les Colonnes
• N° de la Sección para el Índice
• Abschnittsnummer-Index für die Spalte | ⑤ • Illustration & Text
• Illustrations et Textes
• Ilustración y Texto
• Abbildung und Text | ⑥ • Part No. Index
• Index des Numéros des Pièces
• Índice del N° de Pieza
• Teile-Nr.-Index |
| ⑦ • Alphabetical Index
• Index Alphabétique
• Índice Alfabético
• Alphabetischer Index | ⑧ • Model Identification
• Identification des Modèles
• Identificación del Modelo
• Modell-Kennzeichnung | ⑨ • Vehicle Identification System
• Système d'Identification de Véhicule
• Sistema de Identificación de Vehículo
• Fahrzeug-Identifikations-system |

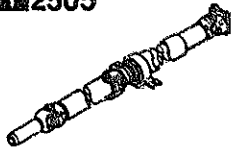
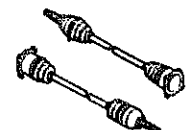


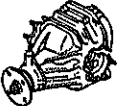

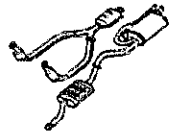

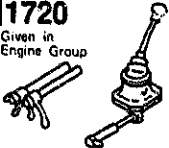
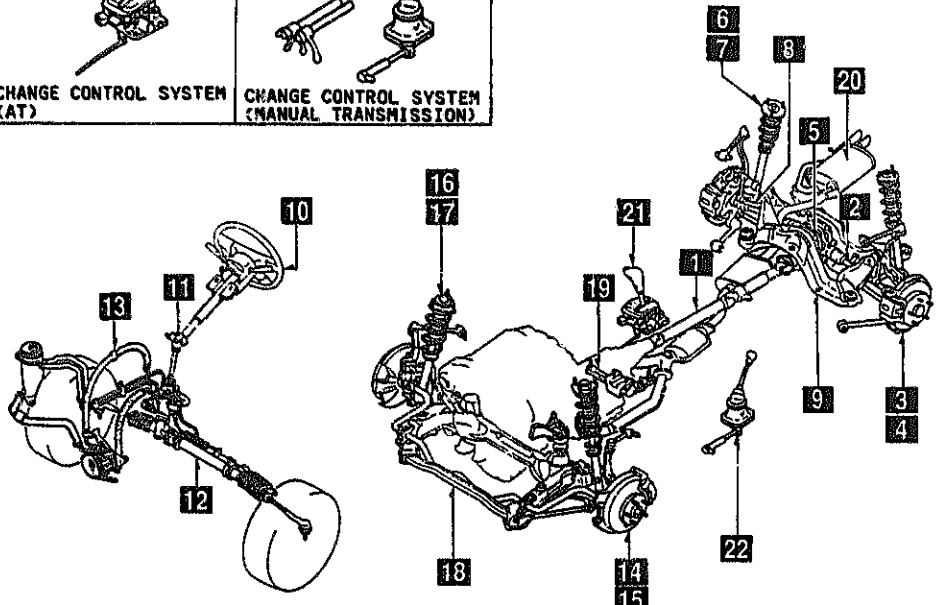

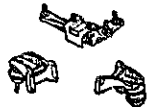

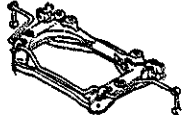

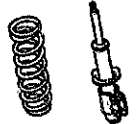




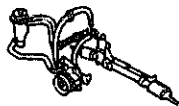


PICTORIAL INDEX

<p>1000</p>  <p style="text-align: center;">ROTOR HOUSINGS</p>	<p>1 1030</p>  <p style="text-align: center;">OIL PAN, FRONT & REAR HOUSING</p>	<p>2 1040</p>  <p style="text-align: center;">ECCENTRIC SHAFT & FLYWHEEL</p>	<p>3 1100</p>  <p style="text-align: center;">ROTORs & RELATED PARTS</p>	<p>4 1110</p>  <p style="text-align: center;">OIL PUMP & FILTER</p>	
<h3 style="margin: 0;">ENGINE (1/2)</h3> 					
<p>ENGINE & GASKET SETS</p> 					<p>6 1600</p>  <p style="text-align: center;">CLUTCH DISC & COVER (MANUAL)</p>
<p>17 4600</p> <p style="font-size: small;">Given in Chassis Group</p>  <p style="text-align: center;">CHANGE CONTROL SYSTEM (AT)</p>					<p>7 1700</p>  <p style="text-align: center;">TRANSMISSION CASE (MANUAL)</p>
<p>16 3900</p> <p style="font-size: small;">Given in Chassis Group</p>  <p style="text-align: center;">ENGINE & TRANSMISSION MOUNTINGS</p>					<p>8 1710</p>  <p style="text-align: center;">TRANSMISSION GEARS (MANUAL)</p>
<p>As this illustration is prepared to be applicable to all models, some parts are different in specifications from parts listed in this parts Catalog.</p>					
<p>15 1960</p>  <p style="text-align: center;">GASKET & SEAL KIT (AUTOMATIC)</p>	<p>14 1950</p>  <p style="text-align: center;">MANUAL LINKAGE SYSTEM (AUTOMATIC)</p>	<p>13 1940</p>  <p style="text-align: center;">GOVERNOR, LOW & REVERSE PISTON (AUTOMATIC)</p>	<p>12 1930</p>  <p style="text-align: center;">CLUTCHES & PLANETARY GEARS (AUTOMATIC)</p>	<p>11 1920 & 1925</p>  <p style="text-align: center;">TRANSMISSION CASE & MAIN CONTROL SYSTEM (AUTOMATIC)</p>	<p>10 1910</p>  <p style="text-align: center;">TORQUE CONVERTER, OIL PUMP & PIPINGS (AUTOMATIC)</p>

PICTORIAL INDEX





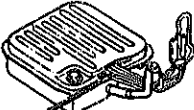

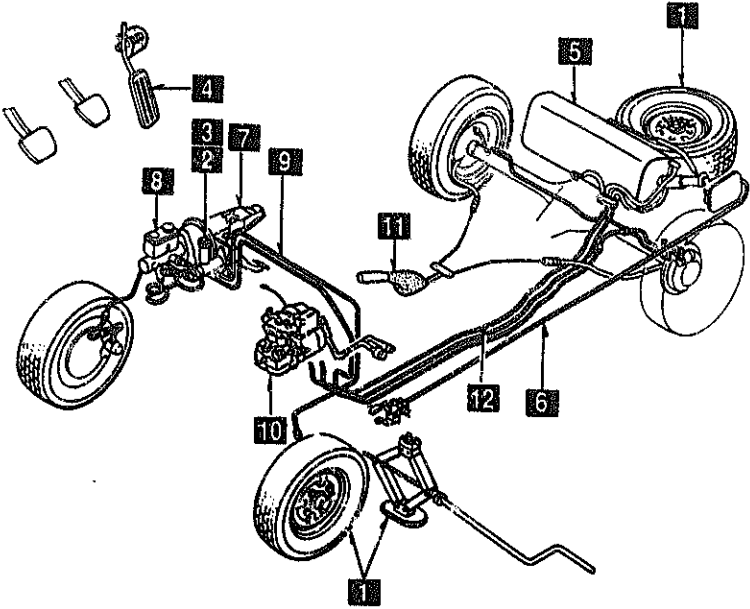
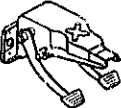
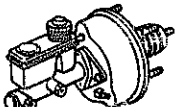

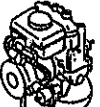


1 1300  INLET MANIFOLD	2 1310  EXHAUST MANIFOLD	3 1311  INTER COOLER	4 1312  TURBO CHARGER	5 1320  FUEL SYSTEM	6 1325  FUEL DISTRIBUTOR
<h3 style="margin: 0;">ENGINE (2/2)</h3> 					
13 1850  BATTERY					7 1330  AIR CLEANER
17 1840  STARTER					8 1313  TWIN TURBO AIR INTAKE SYSTEM
16 1830  ALTERNATOR					9 1364  THROTTLE BODY
As this illustration is prepared to be applicable to all models, some parts are different in specifications from parts listed in this parts Catalog.					
15 1800  ENGINE ELECTRICAL SYSTEM	14 1580  BRACKET, PULLEY & BELT	13 1500  COOLING SYSTEM	12	11 1380  EMISSION CONTROL SYSTEM	

PICTORIAL INDEX

<p>1 2505</p>  <p>REAR PROPELLER SHAFT</p>	<p>2 2550</p>  <p>REAR DRIVE SHAFT</p>	<p>3 2600</p>  <p>REAR AXLE</p>	<p>4 2610</p>  <p>REAR BRAKE MECHANISMS</p>	<p>5 2710</p>  <p>REAR DIFFERENTIALS</p>	<p>6 2800</p>  <p>REAR SUSPENSION MECHANISMS</p>	
<p>20 4000</p>  <p>EXHAUST SYSTEM</p>	<p>21 4600</p>  <p>CHANGE CONTROL SYSTEM (AT)</p>	<p>22 1720 Given in Engine Group</p>  <p>CHANGE CONTROL SYSTEM (MANUAL TRANSMISSION)</p>		<p style="text-align: center;">CHASSIS (1/2)</p> 		<p>7 2801</p>  <p>REAR SPRING & DAMPER</p>
<p>19 3900</p>  <p>ENGINE & T/MISSION MOUNTINGS</p>					<p>8 2810</p>  <p>REAR STABILIZER</p>	
<p>18 3410</p>  <p>CROSSMEMBER & STABILIZER</p>					<p>9 2830</p>  <p>REAR LOWER ARMS & SUB FRAME</p>	
<p>17 3401</p>  <p>FRONT SPRING & DAMPER</p>					<p>10 3200</p>  <p>STEERING WHEEL</p>	
<p>16 3400</p>  <p>FRONT SUSPENSION MECHANISMS</p>	<p>15 3310</p>  <p>FRONT BRAKE MECHANISMS</p>	<p>14 3300</p>  <p>FRONT AXLE</p>	<p>13 3240</p>  <p>POWER STEERING SYSTEM (FRONT)</p>	<p>12 3220</p>  <p>STEERING GEAR</p>	<p>11 3210</p>  <p>STEERING COLUMN & SHAFTS</p>	


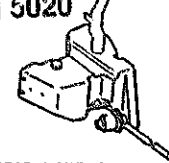

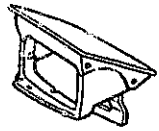
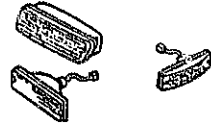
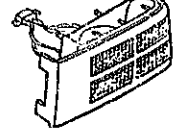

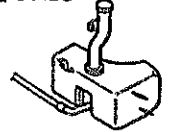
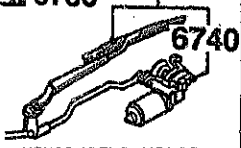
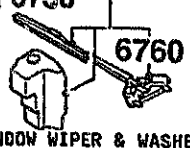

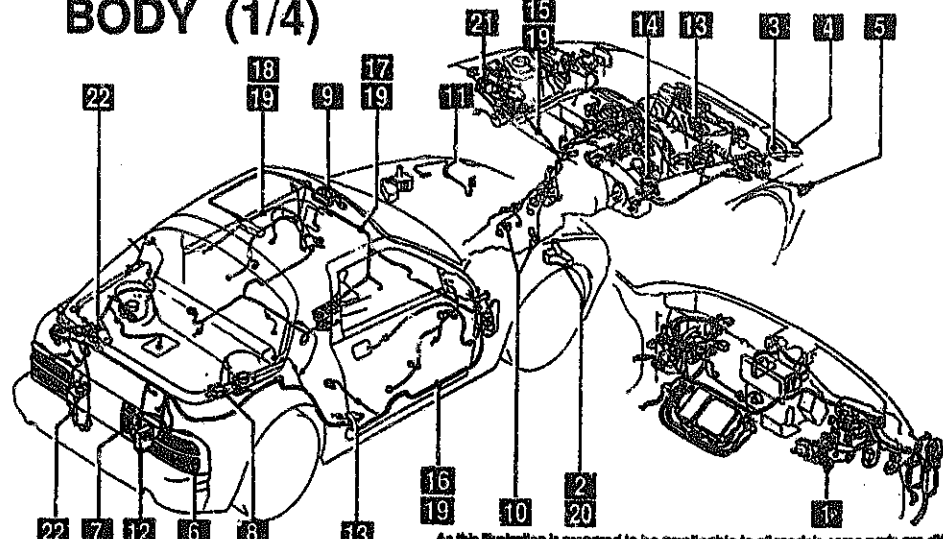
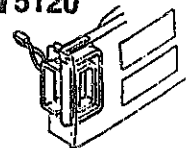

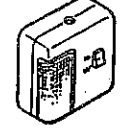



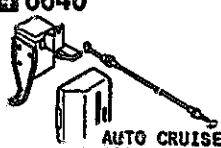
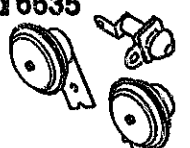


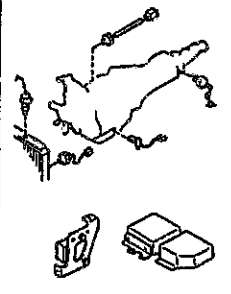
As this illustration is prepared to be applicable to all models, some parts are different in specifications from parts listed in this parts Catalog.

PICTORIAL INDEX









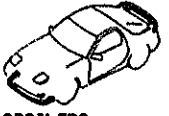
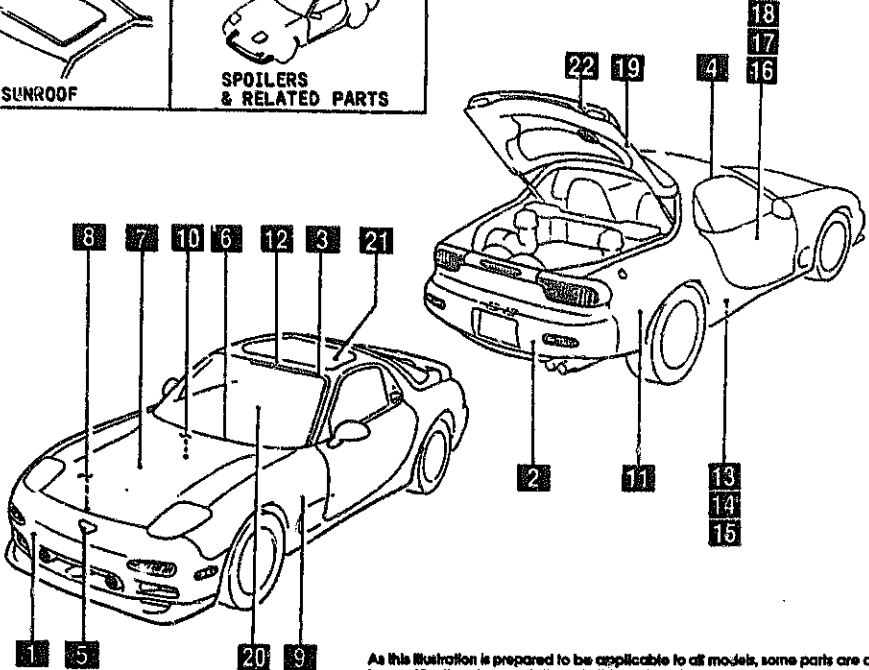
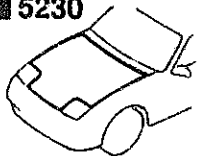

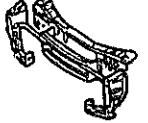

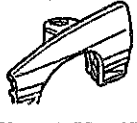








1 3700  TIRES & JACK	2 4140  CLUTCH RELEASE & MASTER CYLINDERS	3 4145  CLUTCH PIPINGS	4 4160  ACCELERATOR CONTROL SYSTEM	5 4200  FUEL TANK	6 4210  FUEL LID OPENER
<h3 style="margin: 0;">CHASSIS (2/2)</h3> 					
					7 4300  CLUTCH & BRAKE PEDALS
					8 4340  BRAKE MASTER CYLINDER & POWER BRAKE
					9 4360  BRAKE PIPINGS
					10 4370  ANTILOCK BRAKE SYSTEM
				12 4500  FUEL PIPINGS	11 4400  PARKING BRAKE SYSTEM

As this illustration is prepared to be applicable to all models, some parts are different in specifications from parts listed in this parts Catalog.

PICTORIAL INDEX


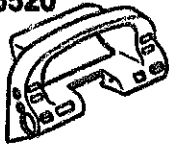

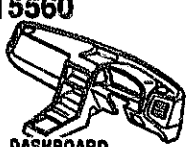
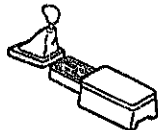




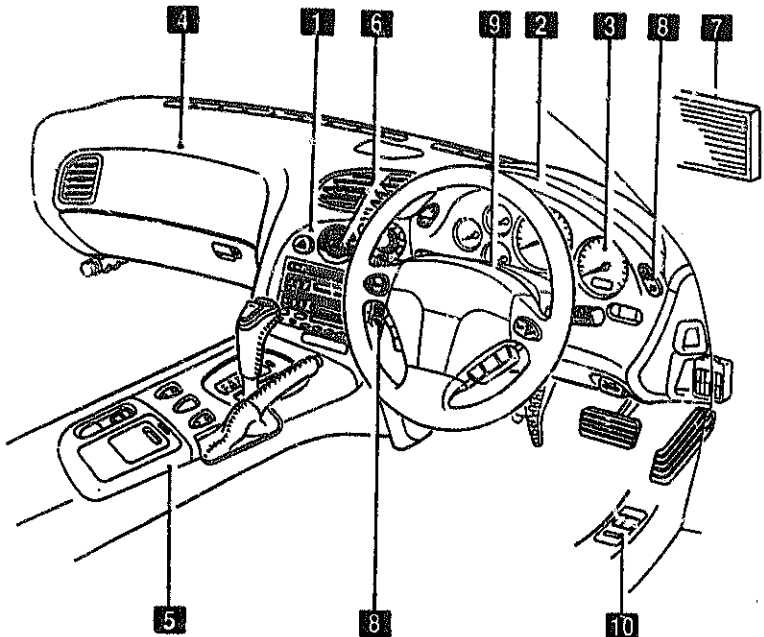


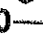



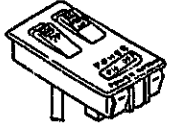
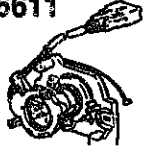
<p>1 0900</p>  <p>KEY SETS</p>	<p>2 5020</p>  <p>HEAD LAMP CLEANER</p>	<p>3 5100</p>  <p>HEAD LAMPS</p>	<p>4 5103</p>  <p>HEAD LAMP RETRACTORS</p>	<p>5 5105</p>  <p>FRONT COMBINATION LAMPS</p>	<p>6 5110</p>  <p>REAR COMBINATION LAMPS</p>
<p>19 6704</p>  <p>WIRING HARNESS CLAMPS</p>	<p>20 6720</p>  <p>WINDSHIELD WASHER</p>	<p>21 6730</p>  <p>WINDSHIELD WIPERS</p>	<p>22 6750</p>  <p>WINDOW WIPER & WASHER (REAR)</p>		
<p>18 6703</p>  <p>WIRING HARNESSSES (DOOR, FLOOR/CEILING)</p>	<p>BODY (1/4)</p>  <p style="font-size: small; text-align: center;">As this illustration is prepared to be applicable to all models, some parts are different in specifications from parts listed in this parts Catalog.</p>				<p>7 5120</p>  <p>LICENSE LAMPS</p>
<p>17 6702</p>  <p>WIRING HARNESSSES (DASHBOARD)</p>					<p>8 5125</p>  <p>INTERIOR LAMPS</p>
<p>16 6700</p>  <p>WIRING HARNESSSES (FRONT & REAR)</p>					<p>9 5130</p>  <p>OVERHEAD CONSOLE</p>
<p>15 6701</p>  <p>WIRING HARNESSSES (ENGINE & T/MISSION)</p>	<p>14 6640</p>  <p>AUTO CRUISE CONTROL SYSTEM</p>	<p>13 6635</p>  <p>DOOR SWITCH & HORNS</p>	<p>12 6630</p>  <p>RELAYS & UNIT (BODY)</p>	<p>11 5795</p>  <p>AIR BAG</p>	<p>10 6600</p>  <p>SWITCHES & RELAYS (ENGINE)</p>

PICTORIAL INDEX





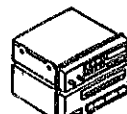

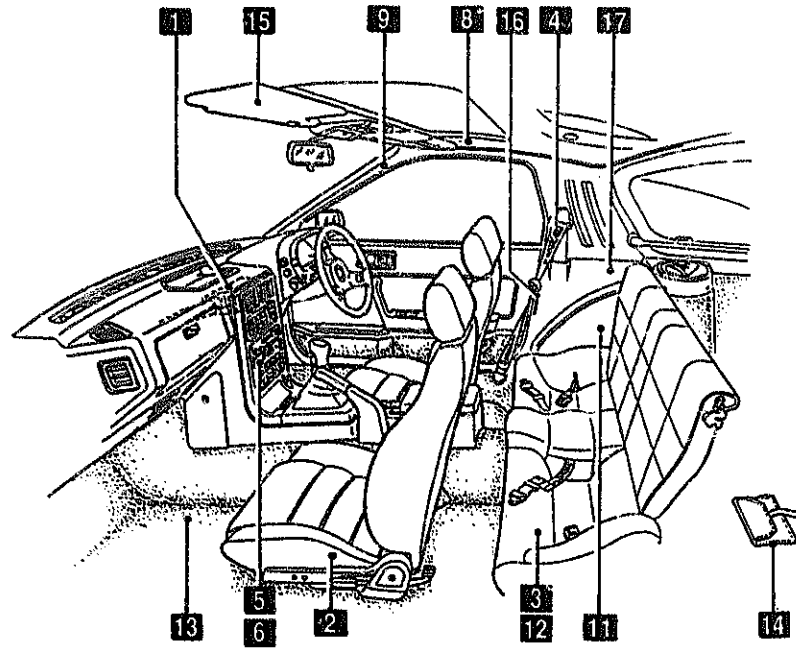









<p>1 5000</p>  <p style="text-align: center;">FRONT BUMPER</p>	<p>2 5010</p>  <p style="text-align: center;">REAR BUMPER</p>	<p>3 5030</p>  <p style="text-align: center;">WINDOW MOULDINGS</p>	<p>4 5040</p>  <p style="text-align: center;">BODY MOULDINGS</p>	<p>5 5170</p>  <p style="text-align: center;">ORNAMENTS</p>	<p>6 5180</p>  <p style="text-align: center;">COWL & EXTRACTOR GRILLES</p>
<p>20 6300</p>  <p style="text-align: center;">WINDOW GLASSES</p>	<p>21 6330</p>  <p style="text-align: center;">SUNROOF</p>	<p>22 7800</p>  <p style="text-align: center;">SPOILERS & RELATED PARTS</p>	<p>BODY (2/4)</p> 		<p>7 5230</p>  <p style="text-align: center;">BONNET</p>
<p>19 6230</p>  <p style="text-align: center;">LIFT GATE MECHANISMS</p>				<p>8 5310</p>  <p style="text-align: center;">FRONT PANELS</p>	
<p>18 5840</p>  <p style="text-align: center;">FRONT DOOR TRIMS & RELATED PARTS</p>				<p>9 5320</p>  <p style="text-align: center;">FENDER & WHEEL APRON PANELS</p>	
<p>17 5830</p>  <p style="text-align: center;">FRONT DOOR MECHANISMS</p>				<p>10 5330</p>  <p style="text-align: center;">DASH & COWL PANELS</p>	
<p>16 5800</p>  <p style="text-align: center;">FRONT DOORS</p>	<p>15 5390</p>  <p style="text-align: center;">FLOOR ATTACHMENTS</p>	<p>14 5380</p>  <p style="text-align: center;">FLOOR ATTACHMENTS (HOLE COVERS)</p>	<p>13 5370</p>  <p style="text-align: center;">FLOOR PANELS</p>	<p>12 5360</p>  <p style="text-align: center;">ROOF PANELS</p>	<p>11 5340</p>  <p style="text-align: center;">SIDE PANELS</p>

As this illustration is prepared to be applicable to all models, some parts are different in specifications from parts listed in this parts Catalog.

PICTORIAL INDEX

1 5500  DASHBOARD EQUIPRENTS	2 5520  METER HOOD	3 5540  METER COMPONENTS	4 5560  DASHBOARD & RELATED PARTS	5 5570  CONSOLE	6  6120  6100  6110  6115 HEATER
<h3 style="margin: 0;">BODY (3/4)</h3> 					
As this illustration is prepared to be applicable to all models, some parts are different in specifications from parts listed in this parts Catalog.					
					7  6135  6130  6130  6140  6150 AIR CONDITIONER
					8 6610  DASHBOARD SWITCHES
				10 6615  POWER WINDOW SWITCHES	9 6611  COMBINATION SWITCH

PICTORIAL INDEX

1 5580  VENTILATOR	2 5700  FRONT SEATS	3 5750  REAR SEATS	4 5790  SEAT BELTS	5 6680  AUDIO SYSTEMS (RADIO & TAPE DECK)	6 6682  AUDIO SYSTEMS (ANTENNA & SPEAKER)
<h3 style="margin: 0;">BODY (4/4)</h3> 					
					7
					8 6800  CEILING TRIMS
					9 6820  PILLAR TRIMS
17 7250  QUARTER WINDOW & TRIMS					10
16 6930  CAUTION PLATES & LABELS	15 6900  VISORS, ASSIST HANDLES & MIRRORS	14 6870  SERVICE TOOLS	13 6860  FLOOR MATS & PADS	12 6845  STORAGE BOX	11 6840  TRIMS & SCUFF PLATES

As this illustration is prepared to be applicable to all models, some parts are different in specifications from parts listed in this parts Catalog.

SECTION NAME INDEX (ENGINE)

LO.NO	SEC.NO	SECTION NAME	LO.NO	SEC.NO	SECTION NAME	LO.NO	SEC.NO	SECTION NAME
1-C03	1000	ENGINE & GASKET SETS	1-F11	1940	GOVERNOR, LOW & REVERSE PISTON (AUTOMATIC)			
1-D03	1030	ROTOR HOUSINGS	1-H11	1950	MANUAL LINKAGE SYSTEM (AUTOMATIC)			
1-G03	1040	OIL PAN, FRONT & REAR HOUSING	1-J11	1960	GASKET & SEAL KIT (AUTOMATIC)			
1-J03	1100	ECCENTRIC SHAFT & FLYWHEEL						
1-N03	1110	ROTORS & RELATED PARTS						
1-C04	1300	INLET MANIFOLD						
1-D04	1310	EXHAUST MANIFOLD						
1-E04	1311	INTER COOLER						
1-F04	1312	TURBO CHARGER						
1-K04	1313	TWIN TURBO AIR INTAKE SYSTEM						
1-J04	1320	FUEL SYSTEM						
1-K04	1325	FUEL DISTRIBUTOR						
1-M04	1330	AIR CLEANER						
1-C05	1364	THROTTLE BODY						
1-E05	1371	AIR PUMP & AIR CONTROL VALVE						
1-G05	1380	EMISSION CONTROL SYSTEM						
1-C06	1400	OIL PUMP & FILTER						
1-F06	1500	COOLING SYSTEM						
1-N06	1580	BRACKET, PULLEY & BELT						
1-C07	1600	CLUTCH DISC & COVER (MANUAL)						
1-E07	1700	TRANSMISSION CASE (MANUAL)						
1-I07	1710	TRANSMISSION GEARS (MANUAL)						
1-C08	1720	CHANGE CONTROL SYSTEM (MANUAL)						
1-E08	1800	ENGINE ELECTRICAL SYSTEM						
1-H08	1830	ALTERNATOR						
1-J08	1840	STARTER (MT)						
1-L08	1840 A	STARTER (AT)						
1-N08	1850	BATTERY						
1-C09	1910	TORQUE CONVERTER, OIL PUMP & PIPINGS (AUTOMATIC)						
1-H09	1920	TRANSMISSION CASE & MAIN CONTROL SYSTEM (AUTOMATIC)						
1-N09	1925	CONTROL VALVE (AUTOMATIC)						
1-J10	1930	CLUTCHES & PLANETARY GEARS (AUTOMATIC)						

SECTION NAME INDEX (CHASSIS)

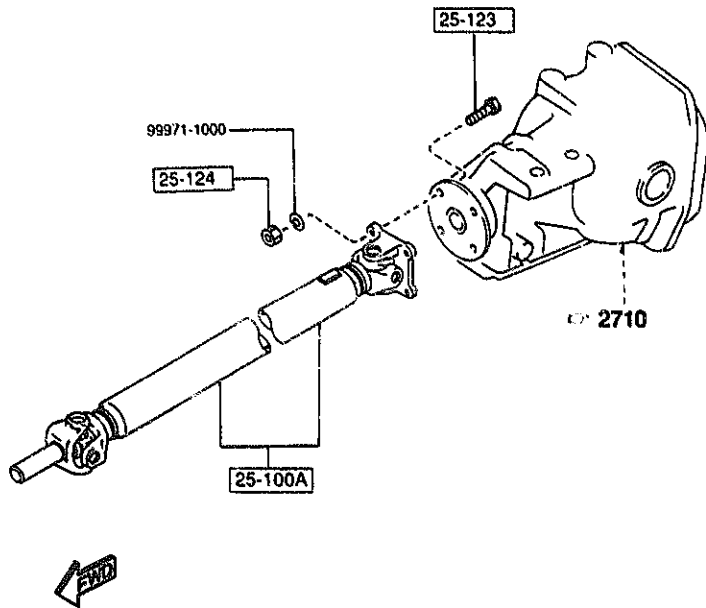
LD.NO	SEC.NO	SECTION NAME	LD.NO	SEC.NO	SECTION NAME	LD.NO	SEC.NO	SECTION NAME
2-C03	2505	REAR PROPELLER SHAFT	2-E08	4600	CHANGE CONTROL SYSTEM (AT)			
2-D03	2550	REAR DRIVE SHAFT						
2-E03	2600	REAR AXLE						
2-G03	2610	REAR BRAKE MECHANISMS						
2-J03	2710	REAR DIFFERENTIALS						
2-N03	2800	REAR SUSPENSION MECHANISMS						
2-C04	2801	REAR SPRING & DAMPER						
2-D04	2810	REAR STABILIZER						
2-E04	2830	REAR LOWER ARMS & SUB FRAME						
2-H04	3200	STEERING WHEEL						
2-I04	3210	STEERING COLUMN & SHAFTS						
2-J04	3220	STEERING GEAR						
2-L04	3240	POWER STEERING SYSTEM						
2-M04	3300	FRONT AXLE						
2-N04	3310	FRONT BRAKE MECHANISMS						
2-C05	3400	FRONT SUSPENSION MECHANISMS						
2-E05	3401	FRONT SPRING & DAMPER						
2-F05	3410	CROSSMEMBER & STABILIZER						
2-G05	3700	TIRES & JACK						
2-C06	3900	ENGINE & TRANSMISSION MOUNTINGS						
2-D06	4000	EXHAUST SYSTEM						
2-G06	4140	CLUTCH RELEASE & MASTER CYLINDERS (MANUAL TRANSMISSION)						
2-I06	4145	CLUTCH PIPINGS (MANUAL TRANSMISSION)						
2-J06	4160	ACCELERATOR CONTROL SYSTEM						
2-K06	4200	FUEL TANK						
2-C07	4210	FUEL L/D OPENER						
2-D07	4300	CLUTCH & BRAKE PEDALS (MANUAL TRANSMISSION)						
2-F07	4300A	BRAKE PEDALS (AUTOMATIC TRANSMISSION)						
2-G07	4340	BRAKE MASTER CYLINDER & POWER BRAKE						
2-I07	4360	BRAKE PIPINGS						
2-L07	4370	ANTILOCK BRAKE SYSTEM						
2-N07	4400	PARKING BRAKE SYSTEM						
2-C08	4500	FUEL PIPINGS						

SECTION NAME INDEX (BODY)

LO.NO	SEC.NO	SECTION NAME	LO.NO	SEC.NO	SECTION NAME	LO.NO	SEC.NO	SECTION NAME
2-C10	0900	KEY SETS	3-C03	5795	ATR BAG	3-E08	6702	WIRING HARNESSSES(DASHBOARD)
2-E10	5000	FRONT BUMPER	3-D03	5800	FRONT DOORS	3-G08	6703	WIRING HARNESSSES(DOOR,FLOOR/CEILING)
2-H10	5010	REAR BUMPER	3-G03	5830	FRONT DOOR MECHANISMS	3-H08	6704	WIRING HARNESS CLAMPS
2-J10	5020	HEAD LAMP CLEANER (SUN ROOF)	3-J03	5840	FRONT DOOR TRIMS & RELATED PARTS	3-I08	6720	WINDSHIELD WASHER
2-L10	5030	WINDOW MOULDINGS	3-C04	6100	HEATER	3-K08	6730	WINDSHIELD WIPERS
2-M10	5040	BODY MOULDINGS	3-D04	6110	HEATER UNIT COMPONENTS	3-N08	6740	WIPER MOTOR COMPONENTS(FRONT)
2-N10	5100	HEAD LAMPS	3-E04	6115	HEATER CONTROLS COMPONENTS	3-N08	6750	WINDOW WIPER & WASHER (REAR)
2-D11	5103	HEAD LAMP RETRACTORS	3-F04	6120	HEATER BLOWER COMPONENTS	3-E09	6760	WINDOW WIPER MOTOR COMPONENTS (REAR)
2-F11	5105	FRONT COMBINATION LAMPS	3-G04	6130	AIR CONDITIONER (DENSO MAKE)	3-F09	6800	CEILING TRIMS
2-K11	5110	REAR COMBINATION LAMPS	3-J04	6130A	AIR CONDITIONER (MANA MAKE)	3-G09	6820	PILLAR TRIMS
2-D12	5120	LICENSE LAMPS	3-M04	6135	O RING SET,PIPING	3-H09	6840	TRIMS & SCUFF PLATES
2-E12	5125	INTERIOR LAMPS	3-N04	6140	COMPRESSOR COMPONENTS (AIR CONDITIONER) (DENSO MAKE)	3-L09	6845	STRAGE BOX
2-F12	5130	OVERHEAD CONSOLE	3-D05	6140A	COMPRESSOR COMPONENTS (AIR CONDITIONER) (MANA MAKE)	3-M09	6860	FLOOR MATS & PADS
2-G12	5170	ORNAMENTS	3-F05	6150	COOLING UNIT (AIR CONDITIONER) (DENSO MAKE)	3-D10	6870	SERVICE TOOLS
2-H12	5180	COWL & EXTRACTOR GRILLES	3-G05	6150A	COOLING UNIT (AIR CONDITIONER) (MANA MAKE)	3-E10	6900	VISORS,ASSIST HANDLES & MIRROR S
2-J12	5230	BONNET	3-I05	6230	LIFT GATE MECHANISMS	3-H10	6930	CAUTION PLATES & LABELS
2-L12	5310	FRONT PANELS	3-L05	6300	WINDOW GLASSES	3-J10	7250	QUARTER WINDOW & TRIMS
2-M12	5320	FENDER & WHEEL APRON PANELS	3-M05	6330	SUNROOF	3-L10	7800	SPOILERS & RELATED PARTS
2-D13	5330	DASH & COWL PANELS	3-F06	6600	SWITCHES & RELAYS (ENGINE)			
2-E13	5340	SIDE PANELS	3-J06	6610	DASHBOARD SWITCHES			
2-I13	5360	ROOF PANELS (W/O SUN ROOF)	3-K06	6611	COMBINATION SWITCH			
2-J13	5360 A	ROOF PANELS (SUN ROOF)	3-L06	6615	POWER WINDOW SWITCHES			
2-K13	5370	FLOOR PANELS	3-H06	6630	RELAYS & UNIT (BODY)			
2-M13	5380	FLOOR ATTACHMENTS (HOLE COVERS)	3-C07	6635	DOOR SWITCH & HORNS			
2-C14	5390	FLOOR ATTACHMENTS	3-D07	6640	AUTO CRUISE CONTROL SYSTEM			
2-C15	5500	DASHBOARD EQUIPMENTS	3-E07	6680	AUDIO SYSTEMS (RADIO & TAPE DECK)			
2-D15	5520	METER HOOD	3-G07	6682	AUDIO SYSTEMS (ANTENNA & SPEAKER)			
2-E15	5540	METER COMPONENTS	3-K07	6700	WIRING HARNESSSES(FRONT & REAR)			
2-G15	5560	DASHBOARD & RELATED PARTS	3-C08	6701	WIRING HARNESSSES(ENGINE & T/MISSION)			
2-K15	5570	CONSOLE						
2-N15	5580	VENTILATOR						
2-C16	5700	FRONT SEATS						
2-M16	5790	SEAT BELTS						

2505 -1 * REAR PROPELLER SHAFT

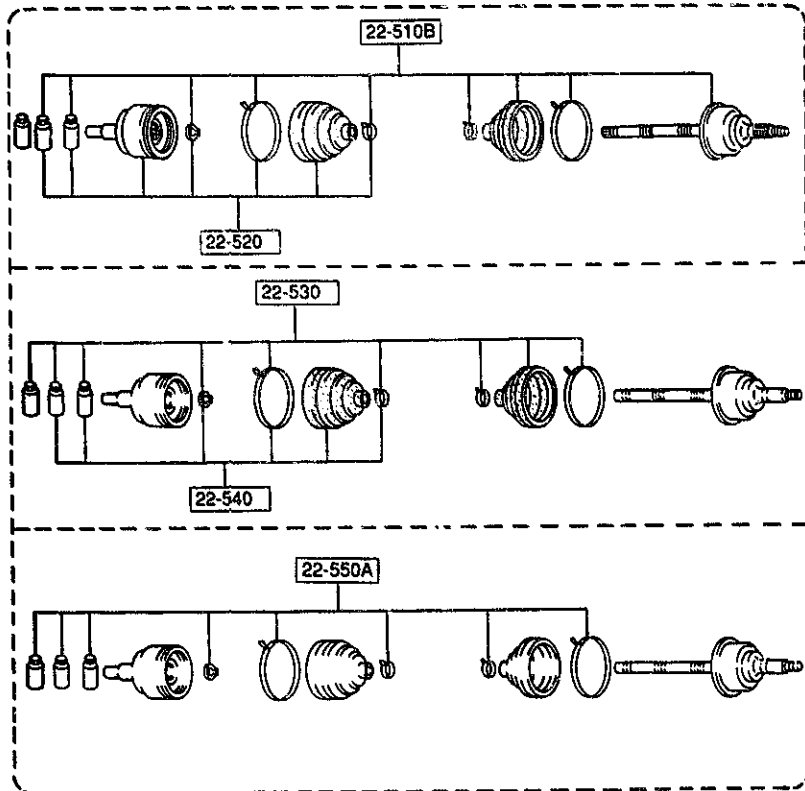
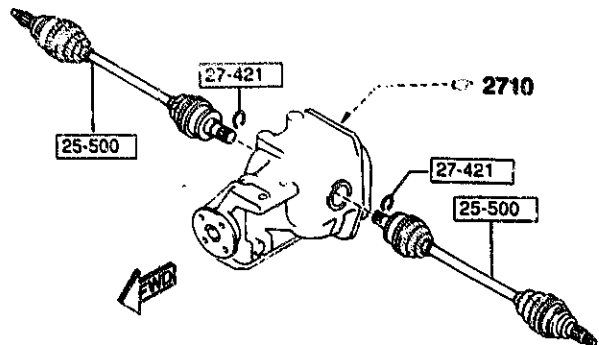
2505 REAR PROPELLER SHAFT



PART NO.	QTY	MODEL/RESTRICTION	MODEL/RESTRICTION	MODEL/RESTRICTION	FROM TO
25-100A		SHAFT, PROPELLER			
PF03-25-100	1	(MT)			
PF04-25-100	1	(AT)			
25-123		BOLT			
P011-25-123	4				
25-124		NUT			
1368-25-124	4				

2950 -1 * REAR DRIVE SHAFT

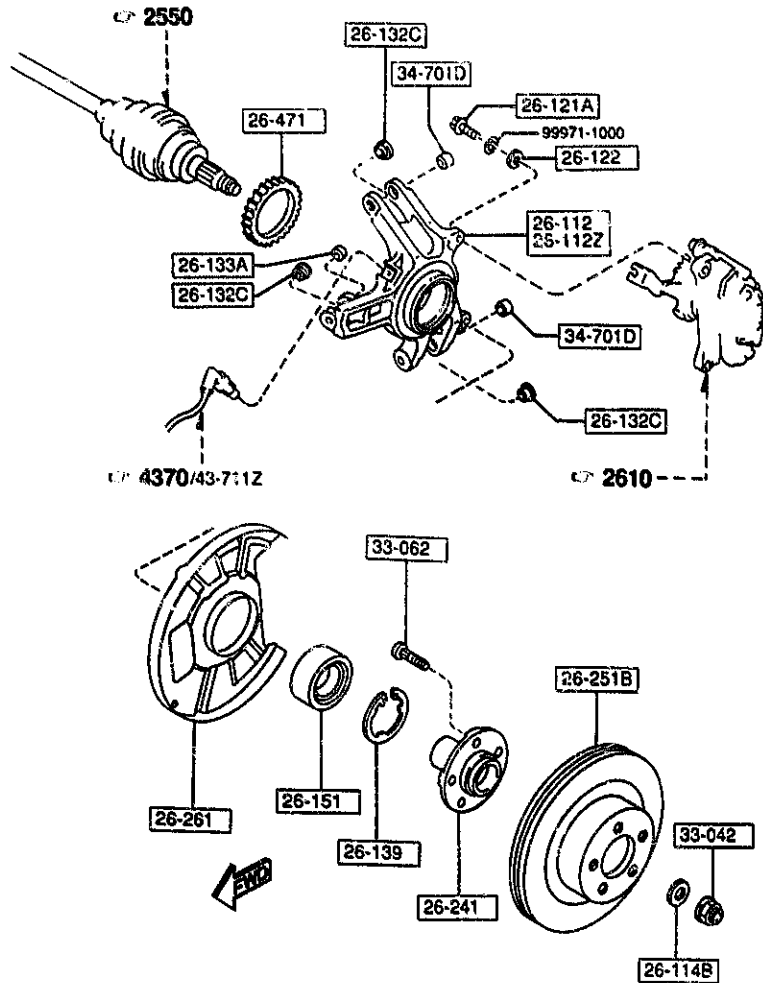
2550 REAR DRIVE SHAFT



PART NO.	QTY	MODEL/RESTRICTION	MODEL/RESTRICTION	MODEL/RESTRICTION	FROM TO
22-510B		JOINT SET, OUTER			
MA10-22-510	2				
22-520		JOINT SET, INNER			
MA10-22-520	2				
22-530		BOOT SET, OUTER JOINT			
MA10-22-530	2				
22-540		BOOT SET, INNER JOINT			
MA10-22-540	2				
22-550A		CLIP SET, DRIVE SHAFT			
MA10-22-550	2				
25-500		SHAFT, DRIVE			
MA10-25-500	2				
27-421		CLIP			
P017-27-421A	2				

2600 REAR AXLE

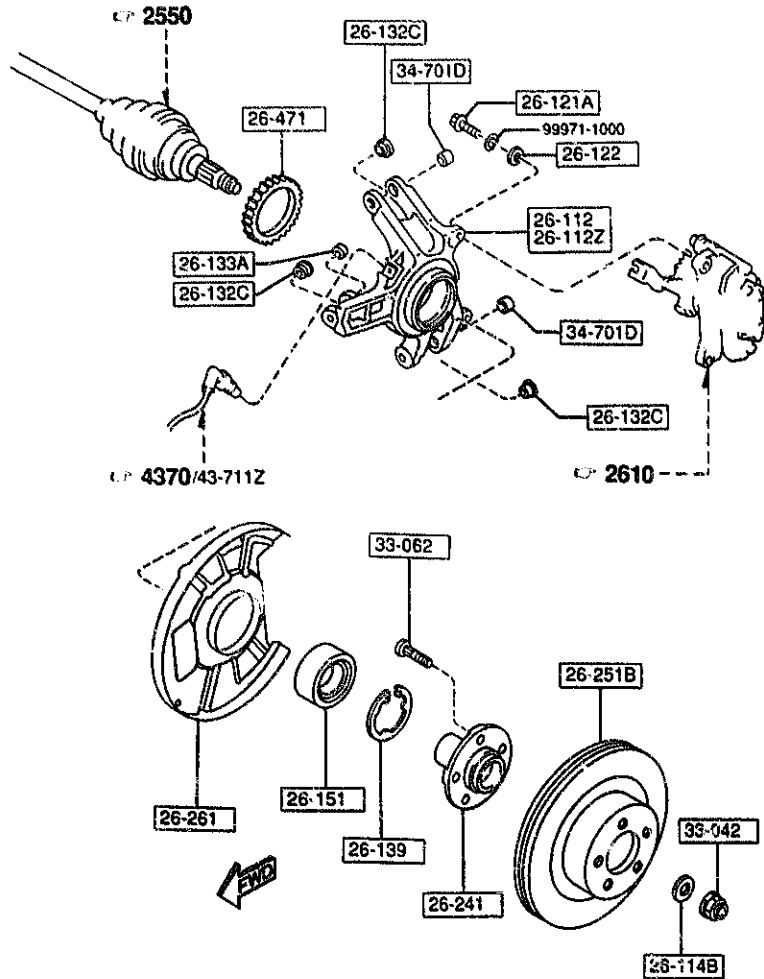
2600 -1 REAR AXLE



PART NO.	QTY	MODEL/RESTRICTION	MODEL/RESTRICTION	MODEL/RESTRICTION	FROM-TO
26-112		HUB(R),SUPPORT			
FD01-26-112	1				
26-112Z		HUB(L),SUPPORT			
FD01-26-122	1				
26-114B		WASHER,PLAIN			
J001-26-114	2				
26-121A		BOLT,REAR BRAKE			
FB01-26-121A	4				
26-122		WASHER,PLAIN-REAR BRAKE			
FB01-26-122	4				
26-132C		WASHER,SLEEVE-REAR BRAKE			
FD01-26-132A	6				
26-133A		SLEEVE			
FD01-26-133B	2				
26-139		RING,RETAINING			
J001-26-139A	2				
26-151		BEARING,WHEEL			
J001-26-151	2				
26-241		FLANGE,REAR AXLE			
FD04-26-241	2				
26-251B		PLATE,DISC			
FD01-26-25X	2				
26-261		COVER,DUST			
FD01-26-261	2				
26-471		ROTOR,SENSOR-RR A.B.S.			
FD04-26-471	2				
33-042		NUT			
LA01-33-042B	2				

2600 REAR AXLE

2600 -2 * REAR AXLE



PART NO.	QTY	MODEL/RESTRICTION	MODEL/RESTRICTION	MODEL/RESTRICTION	FIGURE
33-062		BOLT, HUB			
8455-33-062	10				
34-701D		SLEEVE			
FD01-34-701B	4				

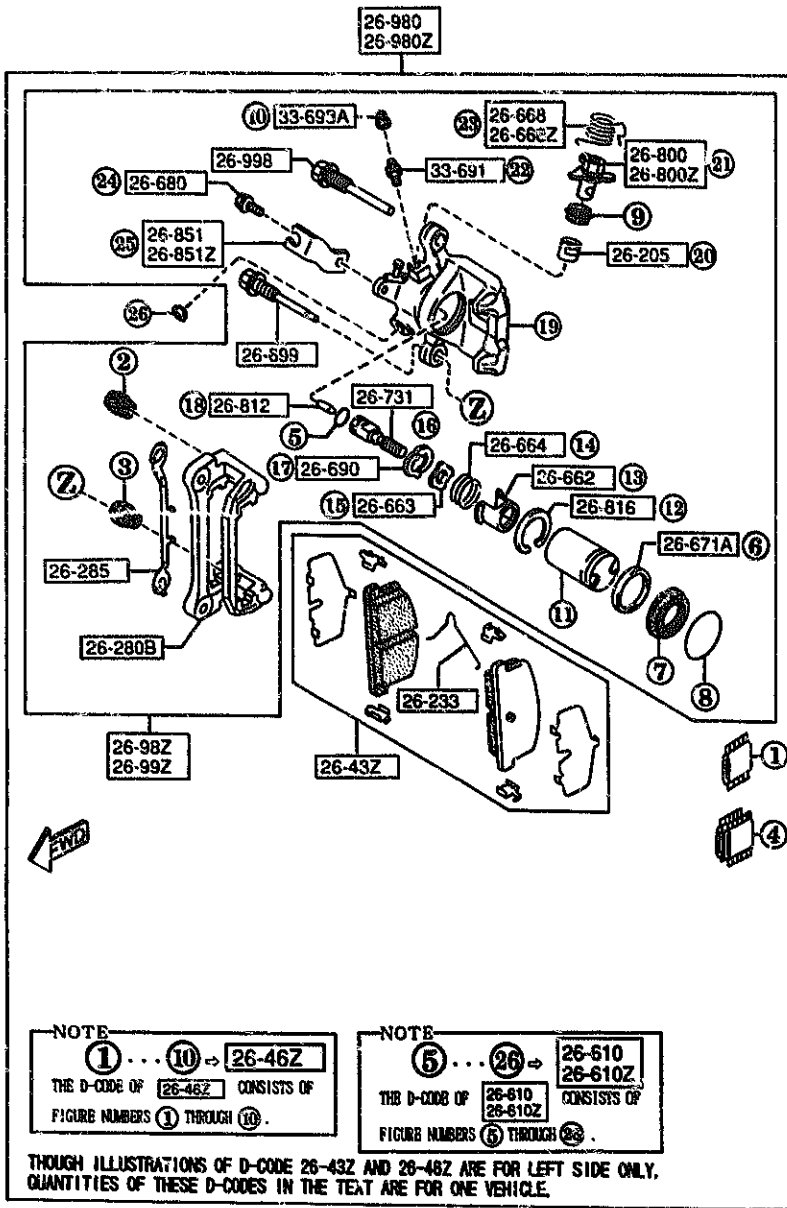
AUFA05

CAT. AUFA05-03

1995-03

2610 REAR BRAKE MECHANISMS

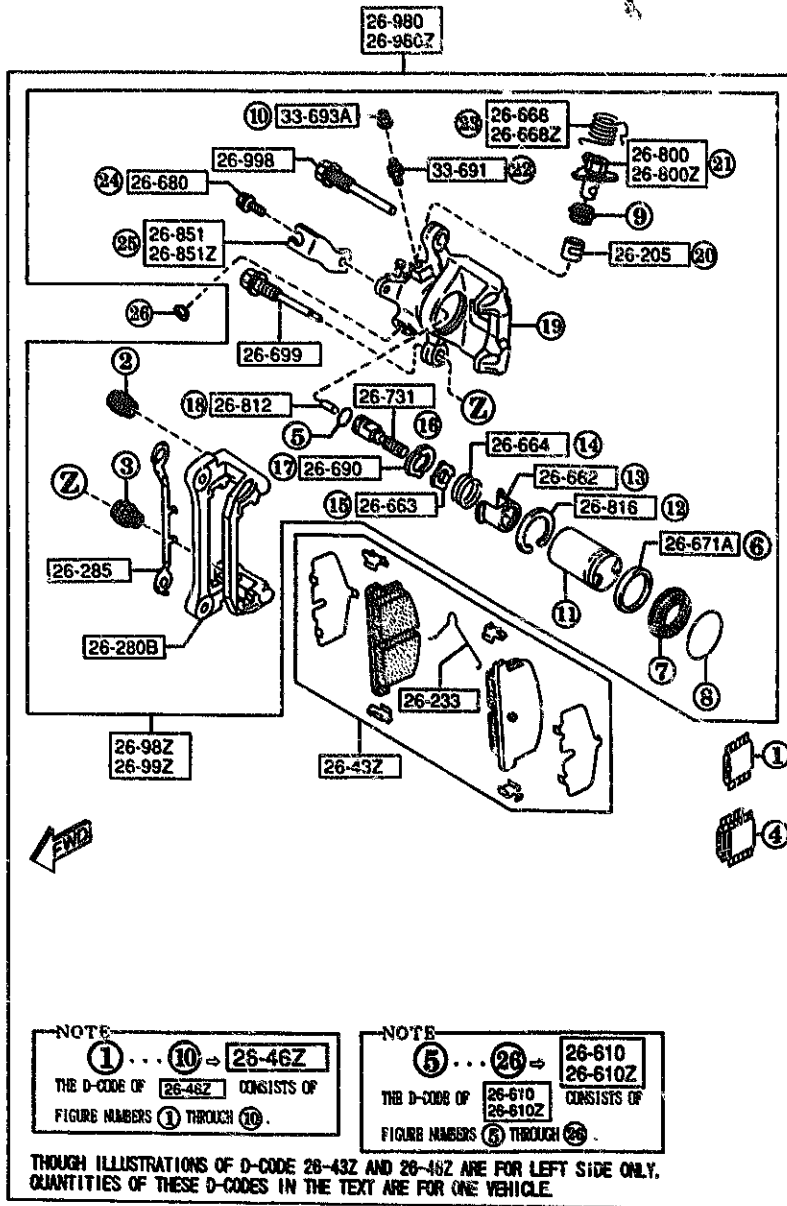
2610 -1 REAR BRAKE MECHANISMS



PART NO.	QTY	MODEL/RESTRICTION	MODEL/RESTRICTION	MODEL/RESTRICTION	FROM-TO
26-205		BEARING			
H001-26-205	2				
26-233		SPRING(V), REAR BRAKE			
FU01-26-233	2				
26-280B		SUPPORT, MOUNTING			
FD01-26-281	2				
26-285		PLATE, GUARD-CALIPER BRAKE			
FD01-26-285A	2				
26-43Z		PAD SET, RR CALIPER NON ASBESTOS			
FDY1-26-43Z	1				
26-46Z		SEAL & BOOT SET, CAL- -RR			
FDY1-26-46Z	1				
26-610		BODY & PISTON(R), CAL- IPER			
FD01-26-61X	1				
26-610Z		BODY & PISTON(L), CAL- IPER			
FD01-26-71X	1				
26-662		COVER, CASE			
B462-26-662	2				
26-663		WASHER, SPRING			
B462-26-663	2				
26-664		SPRING			
B462-26-664	2				
26-668		SPRING(R), LEVER			
FD01-26-668	1				
26-668Z		SPRING(L), LEVER			
FD01-26-669	1				
26-671A		SEAL, PISTON			

2610 REAR BRAKE MECHANISMS

2610 -2 REAR BRAKE MECHANISMS



PART NO.	QTY	MODEL/RESTRICTION	MODEL/RESTRICTION	MODEL/RESTRICTION	FROM-TO
CONT'D					
1393-26-671	2				
26-680		BOLT			
FA18-26-680	2				
26-690		STOPPER, CALIPER-RR			
B462-26-694	2				
26-699		PIN, LOCK			
FD01-26-699	2				
26-731		SPINDLE, ADJUSTER			
FD01-26-731	2				
26-800		LEVER(R), OPERATING			
FD01-26-800	1				
26-800Z		LEVER(L), OPERATING			
FD81-26-810	1				
26-812		LINK, CONNECTING			
H001-26-812	2				
26-816		RING, SNAP-RR CALIPER			
GJ25-26-816	2				
26-851		BRACKET(R), CABLE			
FD01-26-851	1				
26-851Z		BRACKET(L), CABLE			
FD83-26-861	1				
26-98Z		CALIPER(R), PADLES R			
FD01-26-98Z	1				
26-980		CALIPER(R), RR BRAKE			
FD01-26-980A	1				
26-980Z		CALIPER(L), RR BRAKE			
FD01-26-990A	1				

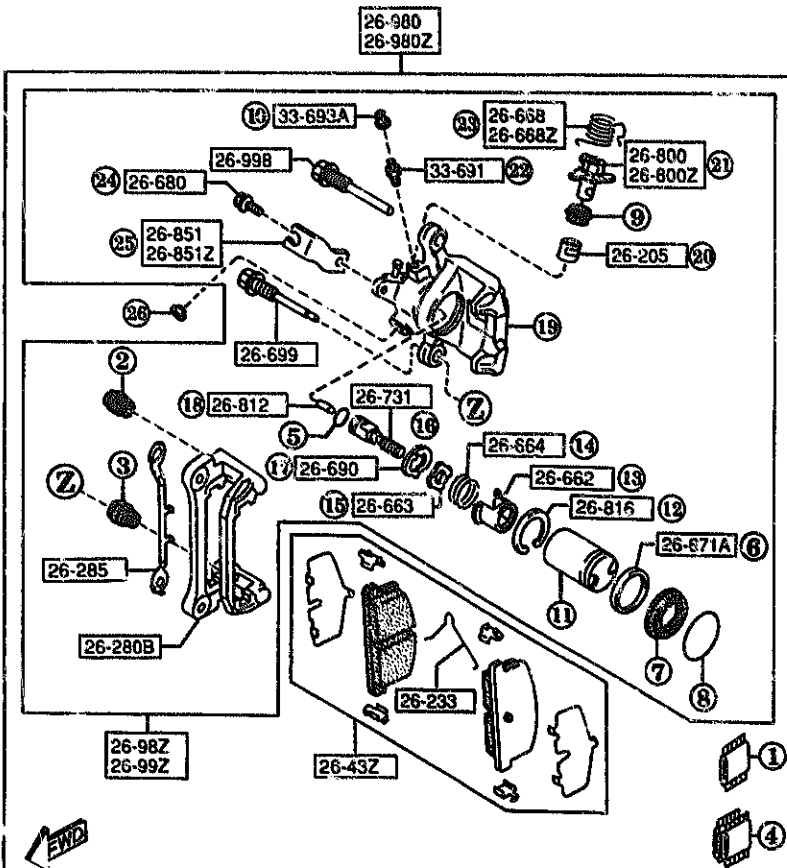
AUFA05

CAT. AUFA05-03

1995-03

2610 REAR BRAKE MECHANISMS

2610 -3 * REAR BRAKE MECHANISMS



NOTE
 ① ... ⑩ ⇒ 26-46Z
 THE D-CODE OF 26-46Z CONSISTS OF
 FIGURE NUMBERS ① THROUGH ⑩.

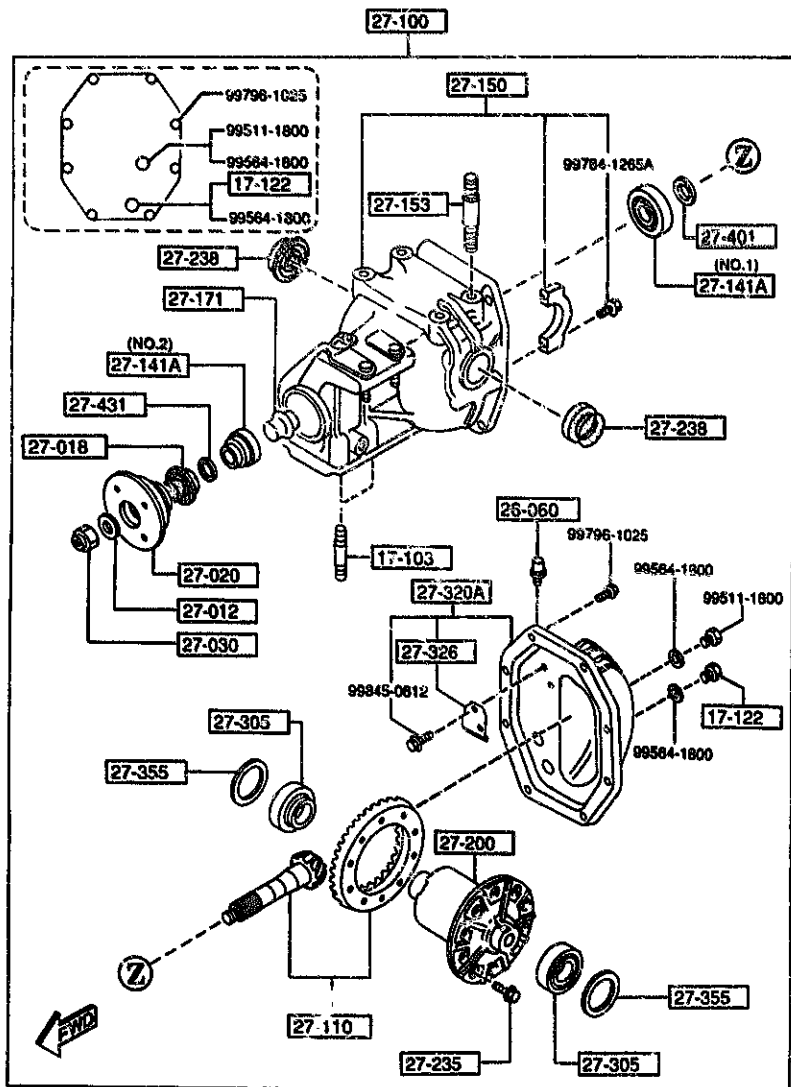
NOTE
 ⑤ ... ⑳ ⇒ 26-610
 26-610Z
 THE D-CODE OF 26-610
 26-610Z CONSISTS OF
 FIGURE NUMBERS ⑥ THROUGH ⑳.

THOUGH ILLUSTRATIONS OF D-CODES 26-43Z AND 26-46Z ARE FOR LEFT SIDE ONLY,
 QUANTITIES OF THESE D-CODES IN THE TEXT ARE FOR ONE VEHICLE.

PART NO.	QTY	MODEL/RESTRICTION	MODEL/RESTRICTION	MODEL/RESTRICTION	FROM-TO
26-992		CALIPER(L), PADLESS-R			
FD01-26-99Z	1				
26-998		PIN, GUIDE			
FD01-26-998	2				
33-691		SCREW, BLEEDER			
0233-33-691	2				
33-693A		CAP, BLEEDER SCREW			
1316-33-693	2				

2710 -1 REAR DIFFERENTIALS

2710 REAR DIFFERENTIALS

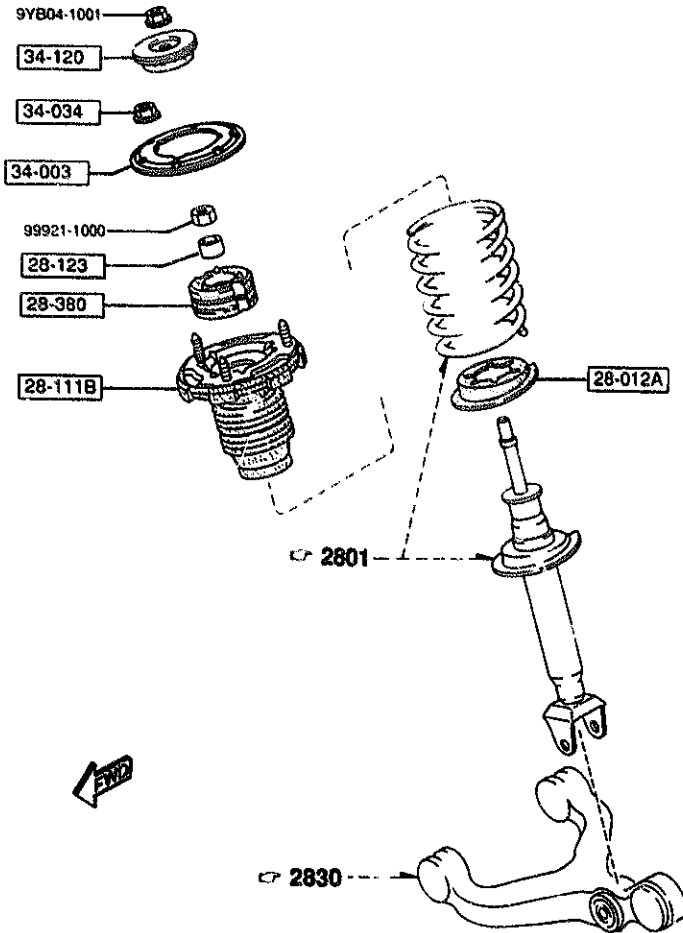


PART NO.	QTY	MODEL/RESTRICTION	MODEL/RESTRICTION	MODEL/RESTRICTION	FROM-TO
17-103		BOLT			
R526-17-103	2				
17-122		PLUG, MAGNET			
0810-17-121	1				
26-060		BREATHER			
0758-26-060	1				
27-012		WASHER			
0233-27-012	1				
27-018		SEAL, OIL			
R001-27-165	1				
27-020		FLANGE, COMPANION			
P044-27-120B	1	(AT)			
P945-27-120A	1	(MT)			
27-030		NUT, LOCK			
0223-27-030	1				
27-100		DRIVING & DIFF.			
R008-27-100C	1	(MT)			
R010-27-100B	1	(AT)			
27-110		GEAR SET, FINAL			
P061-27-110	1	R=4.100 (MT)			
P062-27-110	1	R=3.909 (AT)			
27-141A		BEARING, PINION			
R001-27-210	1	(ILLUST. NO.1)			
0604-27-220	1	(ILLUST. NO.2)			
27-150		CARRIER, DIFFERENTIAL			
R005-27-150	1				
27-153		BOLT			
R005-27-153	4				

2-1-3

2800 REAR SUSPENSION MECHANISMS

2800 -1 * REAR SUSPENSION MECHANISMS



PART NO.	QTY	MODEL/RESTRICTION	MODEL/RESTRICTION	MODEL/RESTRICTION	FROM-TO
28-012A		SHEET, RUBBER			
FD01-28-012	2				
28-111B		STOPPER, BUMP			
FD15-28-110A	2				
28-123		SPACER			
FD01-28-123A	2				
28-380		RUBBER, MOUNTING			
FD15-28-380A	2				
34-003		SHEET, FRT DAMPER			
FD01-34-003	2				
34-034		NUT, FLANGE			
M380-34-034 AN(M380-34-034A)	6				4501
MH380-34-034A	6				4501-
34-120		STOPPER			
FD01-34-120	2				
4501 FD333*-303535					

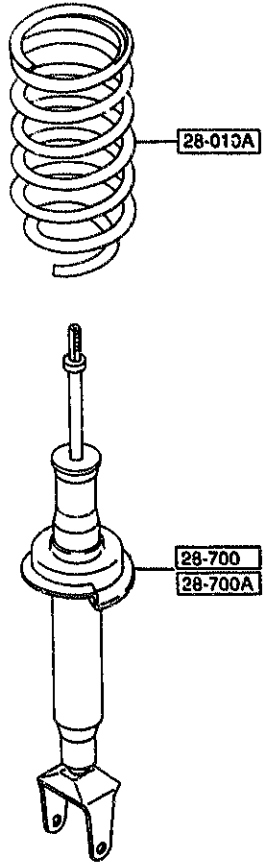
ALFA05

CAT. AUFA05-03

1995-03

2801 -1 * REAR SPRING & DAMPER

2801 REAR SPRING & DAMPER



PART NO.	QTY	MODEL/RESTRICTION	MODEL/RESTRICTION	MODEL/RESTRICTION	FROM-TO
+-----+ 28-010A +-----+ FD15-28-011B	2	SPRING, COIL-REAR			
+-----+ 28-700 +-----+ FD15-28-700A	2	DAMPER, REAR (NOR. SUSP)			
+-----+ 28-700A +-----+ FD16-28-700A	2	DAMPER(R), REAR (IN SPITE OF (R), THIS PART IS APPLICABLE TO BOTH RH&LH SIDE) (HARD SUSP)			

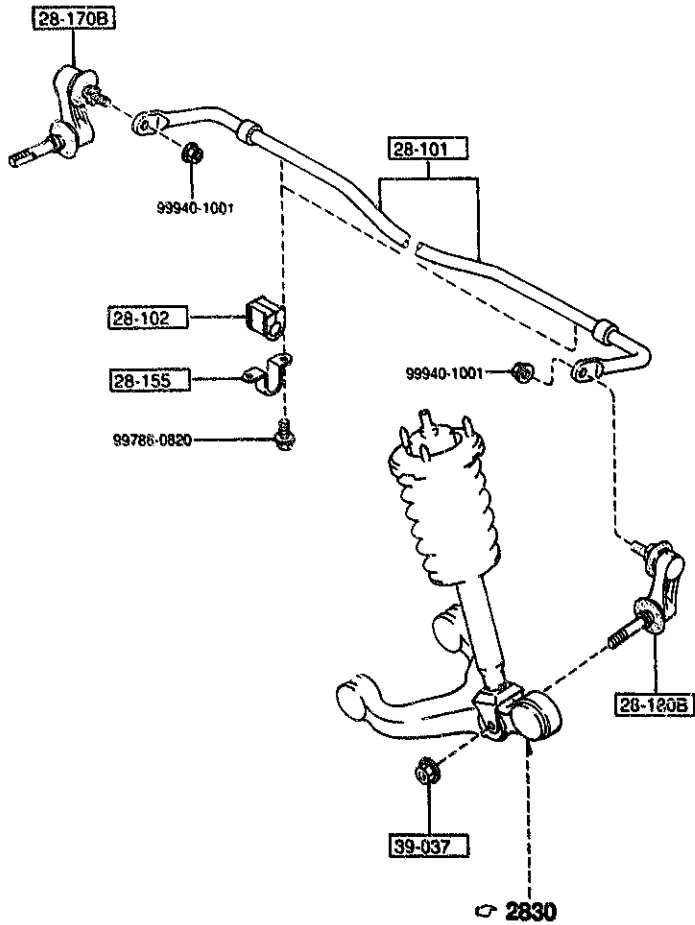


AUFA05

CAT. AUFA05-03

1995-03

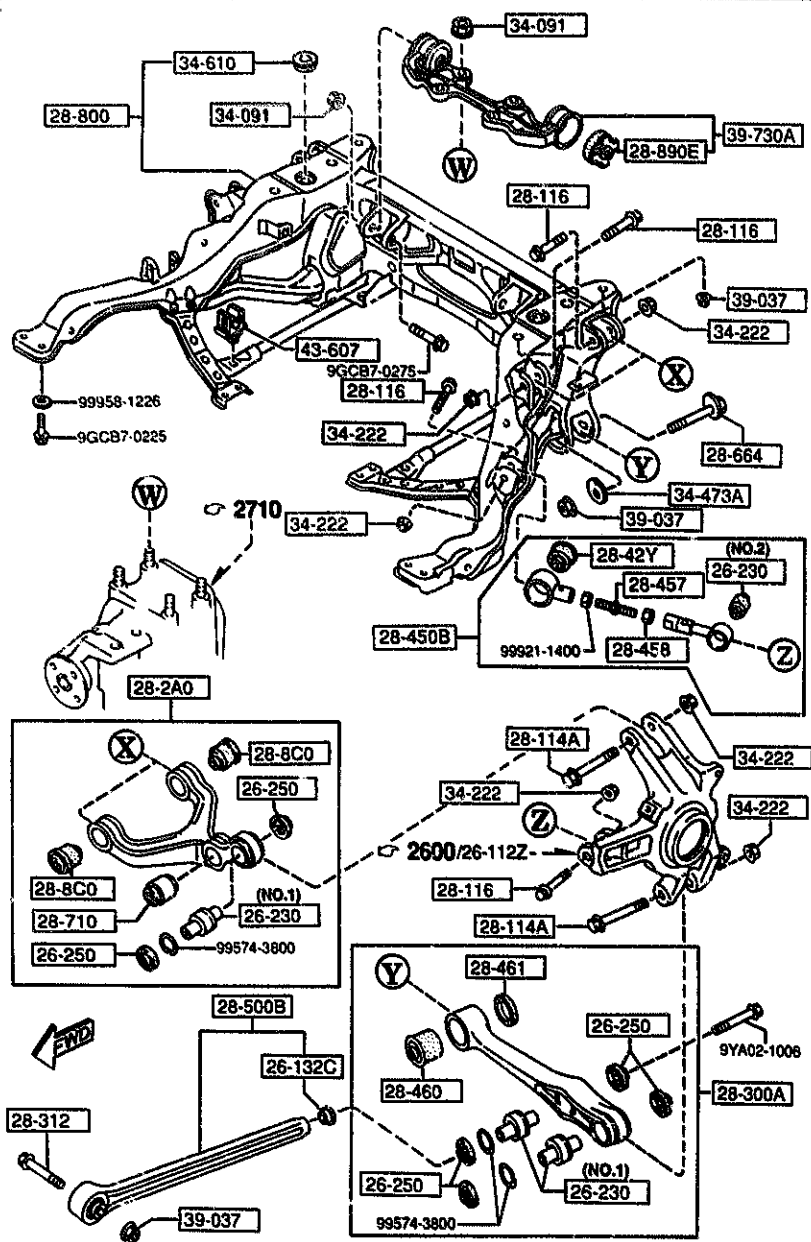
2810 REAR STABILIZER



PART NO.	QTY	MODEL/RESTRICTION	MODEL/RESTRICTION	MODEL/RESTRICTION	FRON-TO
28-101 FD15-28-151A	1	STABILIZER,RR			
28-102 FD15-28-156A	2	BUSH,STABILIZER-RR			
28-155 FD01-28-155A	2	PLATE,STABILIZER-RR			
28-170B FD01-28-170B	1	LINK,CONTROL-STAB			
28-180B FD01-28-180B	1	LINK,CONTROL			
39-037 B001-39-037B	2	NUT			



2830 REAR LOWER ARMS & SUB FRAME



PART NO.	QTY	MODEL/RESTRICTION	MODEL/RESTRICTION	MODEL/RESTRICTION	FROM-TO
26-132C		WASHER, SLEEVE-REAR B			
FD01-26-132A	2	RAKE			
26-230		BALL, PILLOW-RR LOWER			
FD01-26-220	6	ARM (ILLUST. NO.1)			
FD01-26-230	2	(ILLUST. NO.2)			
26-250		RUBBER, SEAL-RR LOWER			
FD01-26-250	12	ARM			
28-114A		BOLT			
FD01-28-114	4				
28-116		BOLT			
FD01-28-116	8				
28-2A0		ARM, UPPER-REAR			
FD01-28-2A0B	2				
28-300A		ARM, LOWER-REAR			
FD01-28-300B	2				
28-312		BOLT*A*, LINK			
H266-28-312	2				
28-42Y		BUSH, PILLOW BALL			
FD01-28-42Y	2				
28-450B		LINK, TOE CONTROL			
FD01-28-450B	2				
28-457		BOLT			
FD01-28-457	2				
28-458		NUT			
FD01-28-458	2				
28-460		BUSHING, LOWER ARM			
FD01-28-460	2				

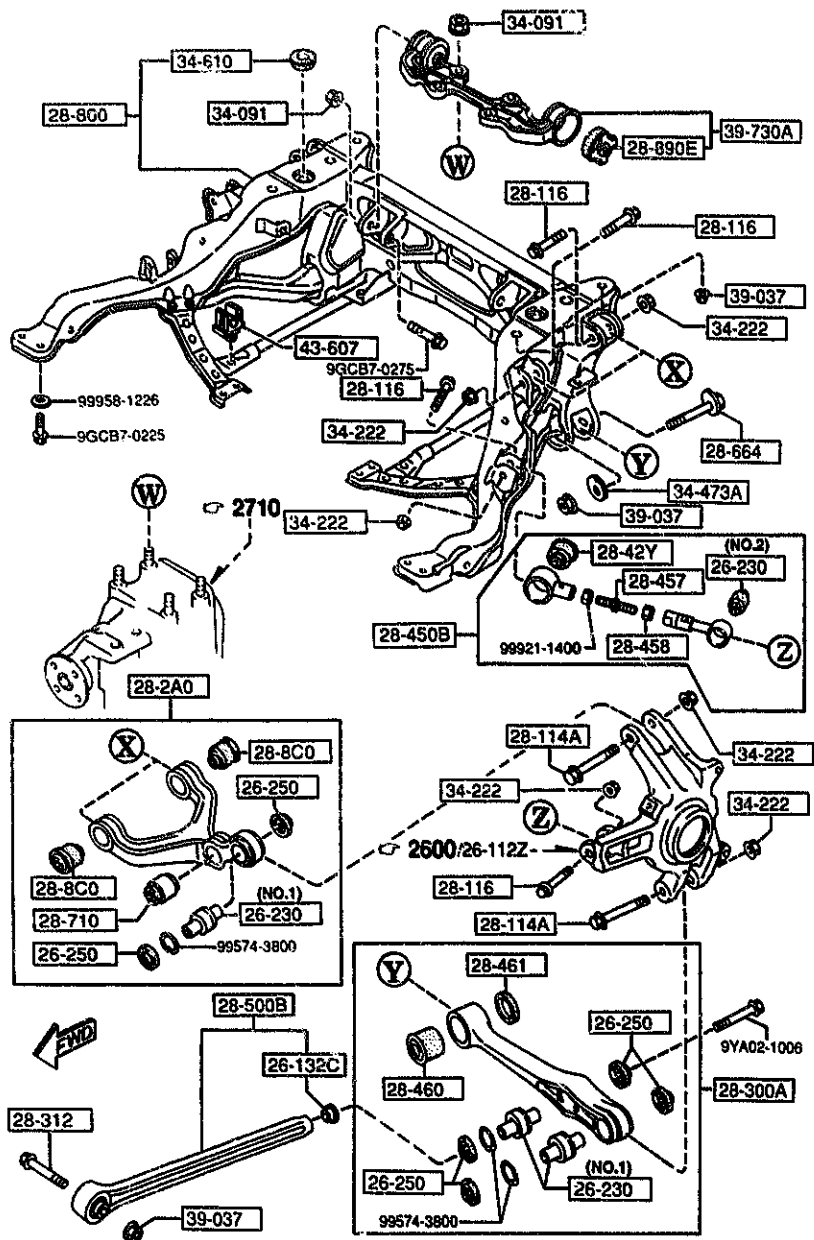
AUFA05

-114-

CAT. AUFA05-03

1995-03

2830 REAR LOWER ARMS & SUB FRAME



PART NO.	QTY	MODEL/RESTRICTION	MODEL/RESTRICTION	MODEL/RESTRICTION	FROM-TO
28-461		STOPPER, LOWER ARM			
FD01-28-461	2				
28-500B		LINK, LOWER-FRONT			
FD15-28-50X	2	(NOR. SUSP)			
FD16-28-50X	2	(HARD SUSP)			
28-664		BOLT, ADJUST			
FD01-28-664	2				
28-710		BUSH, DAMPER			
FD01-28-710A	2				
28-8C0		BUSHING, RUBBER			
FD01-28-8C0A	4				
28-800		FRAME, SUB			
FD15-28-80XB	1				
28-890E		RUBBER, MOUNT. - DIFF. C			
FD01-28-890A	2	ASING			
34-091		NUT			
B455-34-091	2				
34-222		NUT			
8871-34-222	12				
34-473A		PLATE, CAM			
FD01-34-473	2				
34-610		RUBBER, MOUNTING			
FD01-34-610A	2				
39-037		NUT			
B001-39-037B	8				
39-730A		BRACKET, DIFF. MOUNTIN			
FD01-39-730A	1	G			

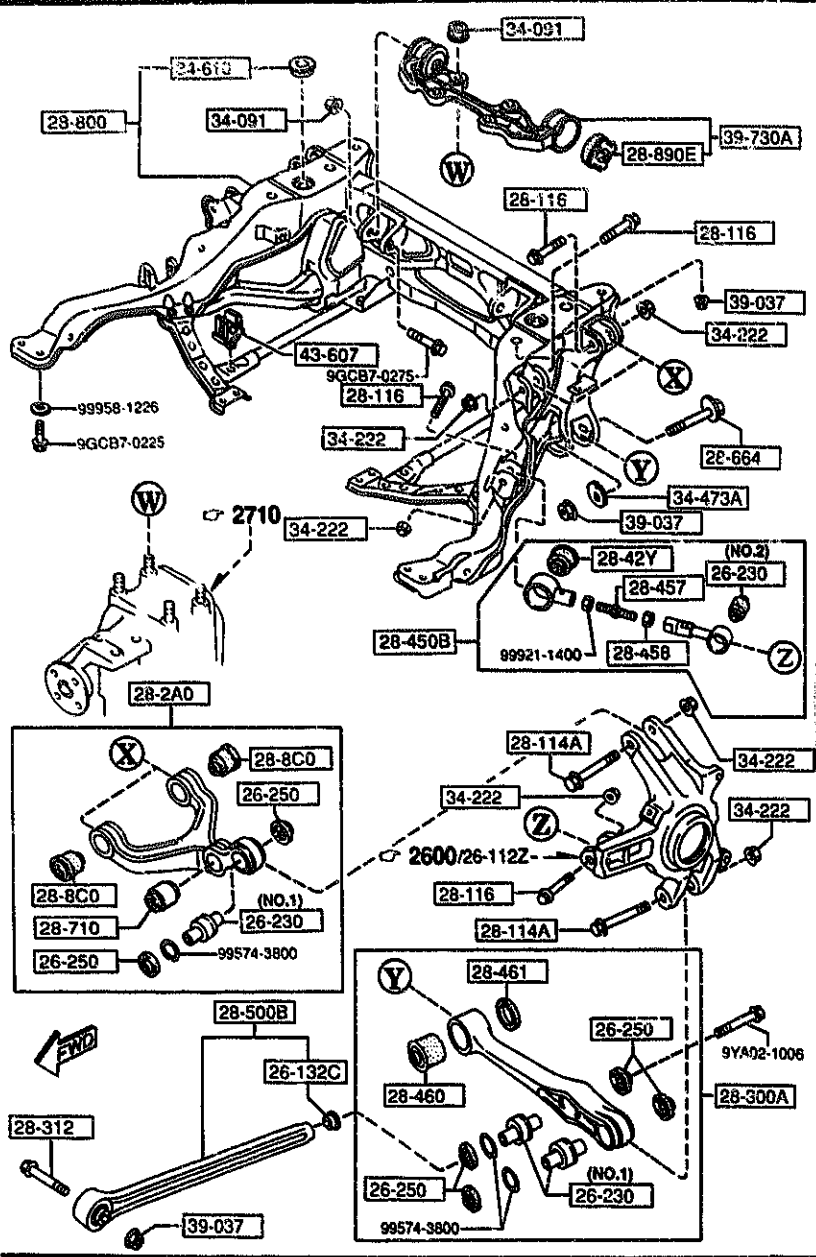
AUFA05

-114-

CAT. AUFA05-03

1995-03

2830 REAR LOWER ARMS & SUB FRAME



PART NO	QTY	MODEL/RESTRICTION	MODEL/RESTRICTION	MODEL/RESTRICTION	FROM-TO
43-607		CLIP,RR BRAKE PIPE			
0309-43-607	2				

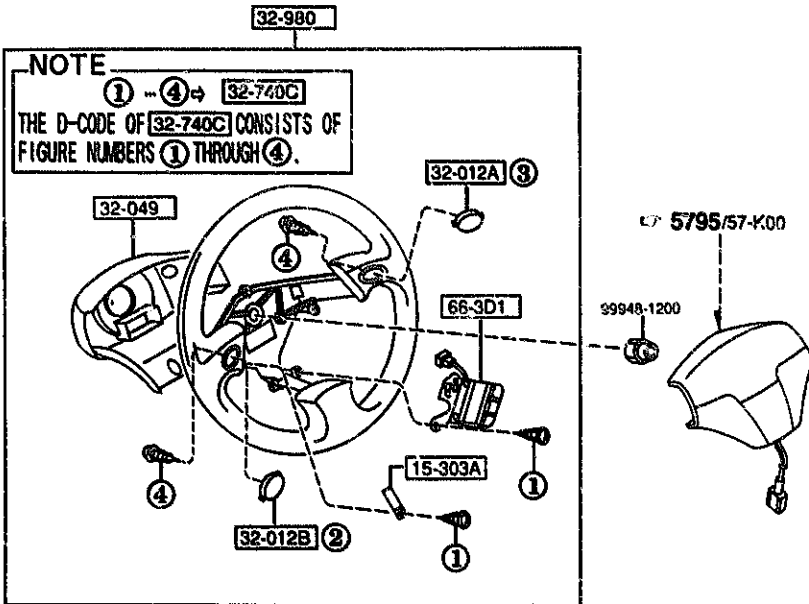
AUFA05

-114-

CAT. AUFA05-03

1995-03

3200 STEERING WHEEL

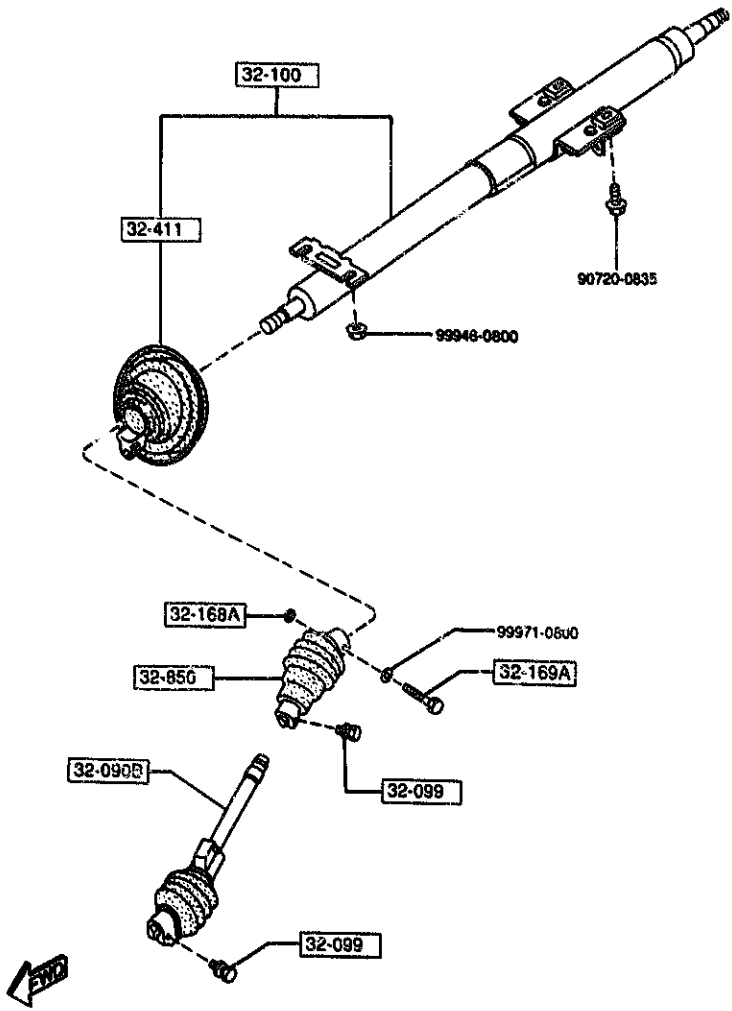


3200 -1 * STEERING WHEEL

PART NO.	QTY	MODEL/RESTRICTION	MODEL/RESTRICTION	MODEL/RESTRICTION	FROM-TO
15-303A 2667-15-303A	2	CLIP			
32-012A FD01-32-81X	1	BUTTON(R),HORN			
32-012B FD01-32-810	1	BUTTON(L),HORN			
32-049 FD01-32-049 FD03-32-049	1 1 1	COVER,WHEEL CORE (NOR.SUSP) (HARD SUSP)			
32-740C FD01-32-750	1	PARTS SET,ST. WHEEL			
32-980 FD01-32-980D A (FD01-32-980E)	1	BOSS,STEERING WHEEL			-3903
FD03-32-980D A (FD03-32-980E)	1				-3903
FD01-32-980E FD03-32-980E	1 1	(NOR.SUSP) (HARD SUSP)			3903- 3903-
66-3D1 FD01-66-3D1A	1 1	SWITCH,AUTOCRUISE (NOR.SUSP)			
3903 FD333*-300440					

3210 -1 STEERING COLUMN & SHAFTS

3210 STEERING COLUMN & SHAFTS



PART NO.	QTY	MODEL/RESTRICTION	MODEL/RESTRICTION	MODEL/RESTRICTION	FROM-TO
32-090B FD01-32-090A	1	SHAFT, INTERMED.			
32-099 B455-32-099	2	BOLT, SHAFT			
32-100 FD15-32-100	1	SHAFT, ENGY. ABSORBER			
32-168A FB01-32-168	1	WASHER, STOP			
32-169A B001-32-169A	1	BOLT			
32-411 FD15-32-411	1	COVER, DUST			
32-850 FD15-32-850	1	JOINT, STEERING			

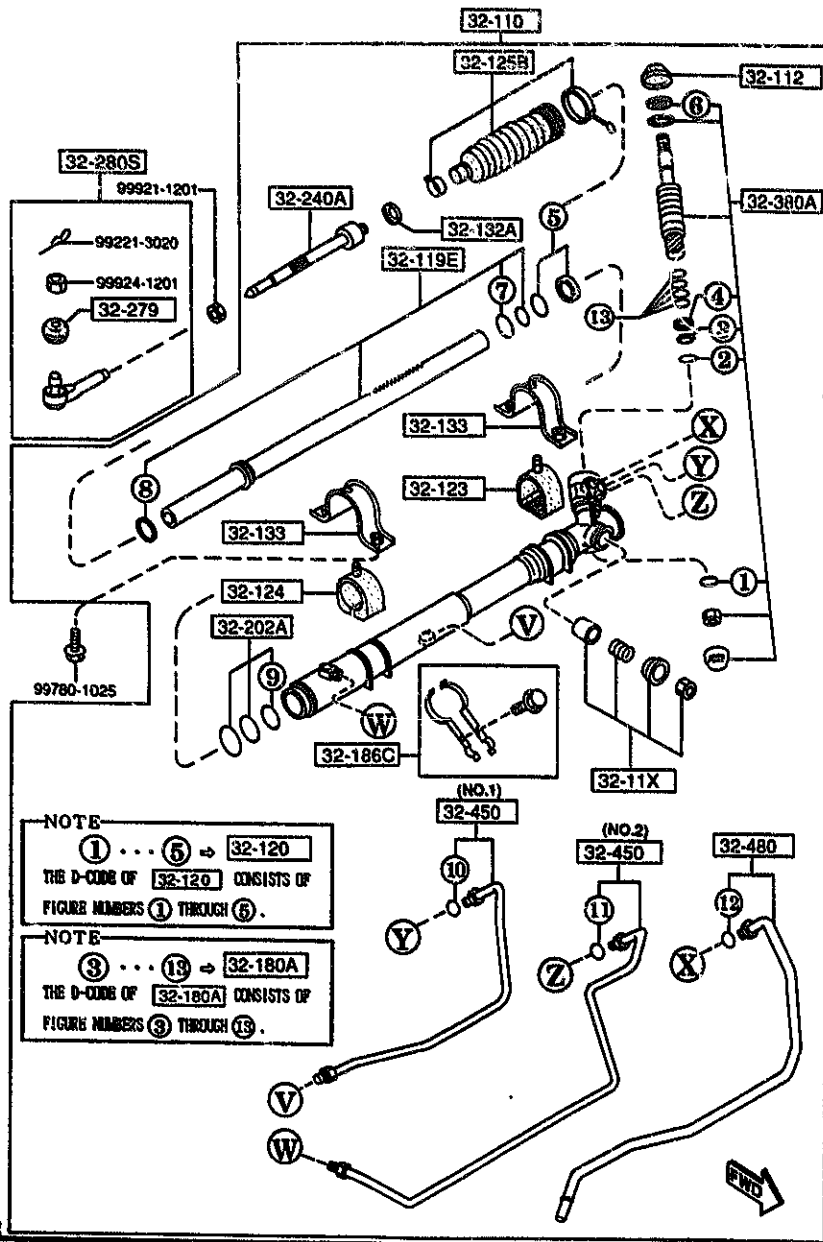
AUFA05

CAT. AUFA05-03

1995-03

3220 STEERING GEAR

3220 -1 STEERING GEAR



PART NO.	QTY	MODEL/RESTRICTION	MODEL/RESTRICTION	MODEL/RESTRICTION	FROM-TO
32-11X		YOKE SEY,SUPPORT-ST. GEAR			
FD01-32-11X	1				
32-110		GEAR,STEERING			
FD15-32-110A AN(FD15-32-110B)	1				-4401
FD15-32-110B	1				4401-
32-112		COVER,DUST			
FD01-32-112	1				
32-119E		RACK,STEERING GEAR			
FD01-32-119	1				-4401
FD01-32-119A	1				4401-
32-120		HOUSING,GEAR			
FD01-32-120	1				
32-123		RUBBER,MOUNTING			
FD01-32-123	1				-4401
F110-32-123	1				4401-
32-124		RUBBER,MOUNTING			
FD01-32-124	1				
32-125B		BOOT,RACK			
FD01-32-125A	1	(FOR LEFT)			
FD02-32-125A	1	(FOR RIGHT)			
32-132A		WASHER			
FD01-32-132	2				
32-133		PLATE,CLAMP			
FD01-32-133	2				
32-180A		SEAL KIT,ST. GEAR			
FD01-32-180	1				
32-186C		CLIP KIT,ST. GEAR			
FD01-32-186	1				
4401 FD333*-303310					

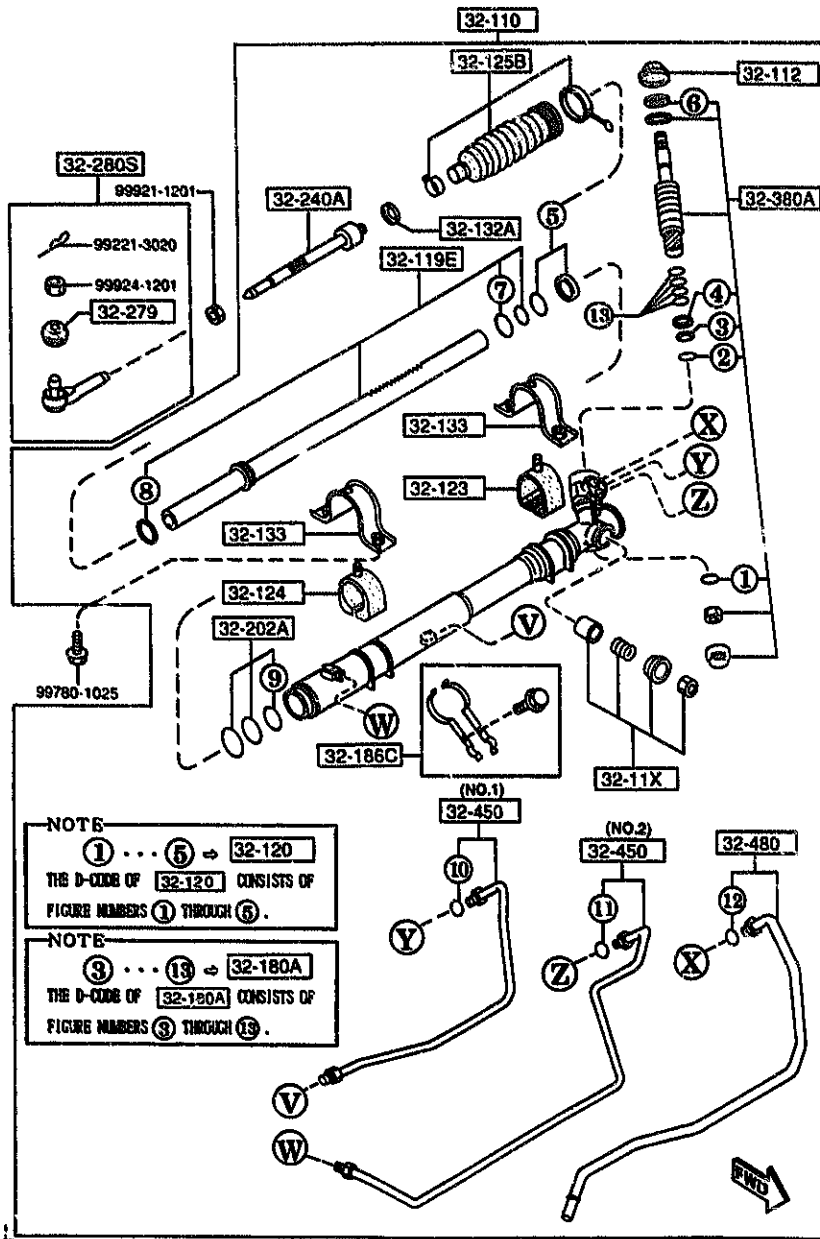
AUFA05

CAT. AUFA05-03

1995-03

3220 STEERING GEAR

3220 -2 M STEERING GEAR



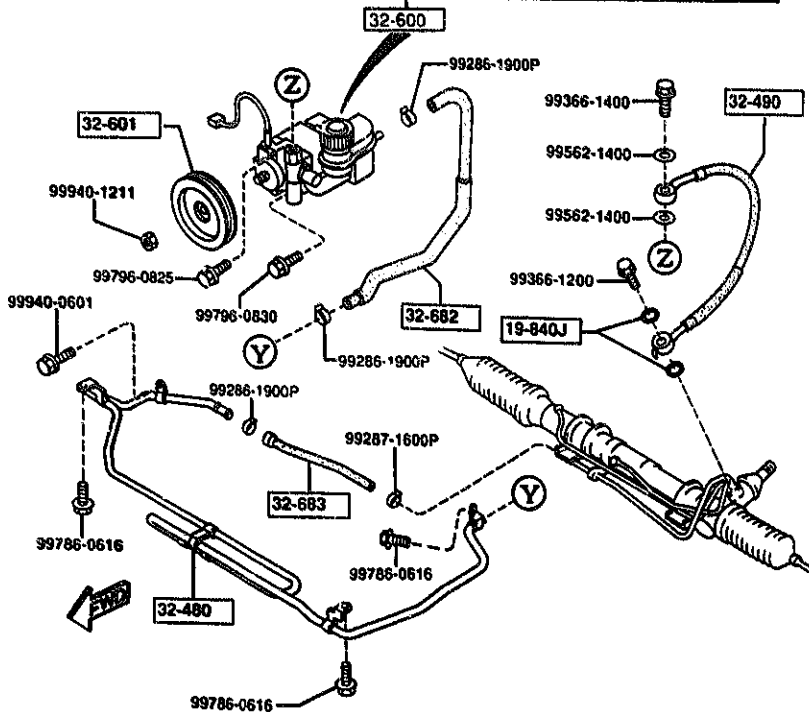
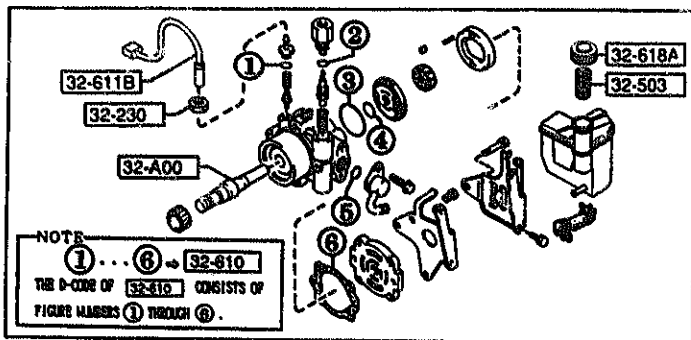
PART NO.	QTY	MODEL/RESTRICTION	MODEL/RESTRICTION	MODEL/RESTRICTION	FROM TO
32-252A		STOPPER, RACK-ST. GEAR			
FD01-32-202	1				
32-240A		JOINT, BALL			
FD01-32-240	2				-4401
FD01-32-240A	2				4401-
32-279		SEAL, DUST-BALL JOINT			
B455-32-279	2				
32-280S		JOINT SET, BALL			
6A82-32-280	2				
32-380A		VALVE, ST. GEAR			
FD15-32-380	1				
32-450		PIPE, PRESSURE			
FD01-32-450	1	(ILLUST. NO. 1)			
FD02-32-450	1	(ILLUST. NO. 2)			
32-480		PIPE, RETURN			
FD02-32-480	1				
4401 FD333M-303310					

AUFA05

CAT. AUFA05-03

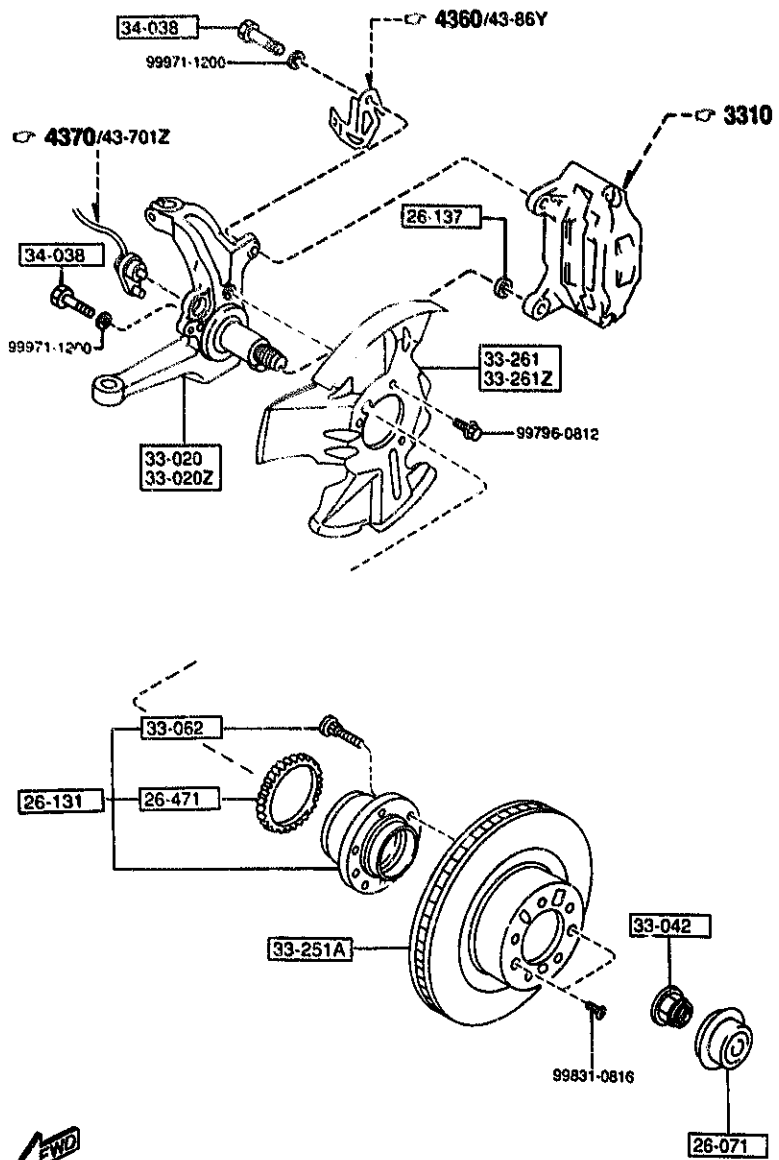
1995-03

3240 POWER STEERING SYSTEM



PART NO.	QTY	MODEL/RESTRICTION	MODEL/RESTRICTION	MODEL/RESTRICTION	FROM-TO
19-840J		RING, 'O'			
99541-01401	2				
32-A00		SHAFT			
GA2A-32-607	1				
32-230		SENSOR, STEERING PRES SURE			
H380-32-230	1				
32-480		PIPE, RETURN			
FD01-32-480F	1				
32-490		HOSE, PRESSURE			
FD01-32-490D	1				
32-503		STRAINER			
BR71-32-503	1				
32-600		PUMP, VANE			
FD15-32-600A	1				
32-601		PULLEY, VANE PUMP			
FD01-32-620B	1				
32-610		SEAL KIT, VANE PUMP			
EA03-32-610	1				
32-611B		HARNES			
FD01-32-611A	1				
32-618A		CAP, VANE PUMP TANK			
G211-32-618A	1				
32-682		HOSE, RETURN			
FD01-32-682E	1				
32-683		CLAMP			
FD01-32-683A	1				

3300 FRONT AXLE



3300 -1 R FRONT AXLE

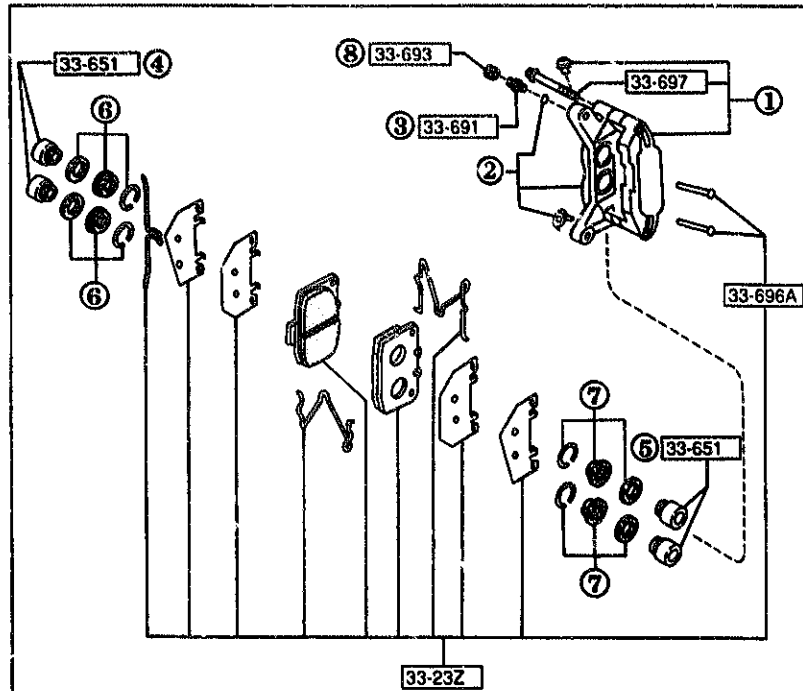
PART NO.	QTY	MODEL/RESTRICTION	MODEL/RESTRICTION	MODEL/RESTRICTION	FROM-TO
26-071		CAP, HUB			
GA2A-26-071	2				
26-131		BEARING & HUB			
GA5S-26-15X	2				
26-137		WASHER, PLAIN-LOWER ARM			
FD01-24-137	2				
26-471		ROTOR, SENSOR-RR A.B.S.			
GA5S-26-471	2				
33-020		KNUCKLE(R), STEERING			
FD15-33-021	1				
33-020Z		KNUCKLE(L), STEERING			
FD15-33-031	1				
33-042		NUT			
LA01-33-042B	2				
33-062		BOLT, HUB			
J00Y-33-062	10				
33-251A		PLATE, DISC			
FD01-33-25X	2				
33-261		COVER(R), DUST			
FD01-33-261B	1				
33-261Z		COVER(L), DUST			
FD01-33-271B	1				
34-038		BOLT, DAMPER-REAR			
LA01-34-038	4				

AUFA05

-125-

CAT. AUFA05-03

1995-03



NOTE
 ① ... ⑦ ⇒ 33-610
 33-610Z
 THE D-CODE OF 33-610
 33-610Z CONSISTS OF
 FIGURE NUMBERS ① THROUGH ⑦.

NOTE
 ① ... ⑧ ⇒ 33-98Z
 33-99Z
 THE D-CODE OF 33-98Z
 33-99Z CONSISTS OF
 FIGURE NUMBERS ① THROUGH ⑧.

NOTE
 ⑥ ... ⑧ ⇒ 49-240C
 THE D-CODE OF 49-240C
 CONSISTS OF
 FIGURE NUMBERS ⑥ THROUGH ⑧.

THOUGH ILLUSTRATIONS OF D-CODE 49-240C AND 33-23Z ARE FOR LEFT SIDE ONLY,
 QUANTITIES OF THESE D-CODES IN THE TEXT ARE FOR ONE VEHICLE.

33-980
 33-980Z

PART NO.	QTY	MODEL/RESTRICTION	MODEL/RESTRICTION	MODEL/RESTRICTION	FROM TO
33-25Z FD23-33-23Z	1	PAD SET, FRT CALIPER NON ASBESTOS			
33-610 FD01-33-61XA	1	BODY & PISTON(R), CALIPER			
33-610Z FD01-33-71XA	1	BODY & PISTON(L), CALIPER			
33-651 FB05-33-651A	8	PISTON, CALIPER-FRT			
33-691 B001-33-691	2	SCREW, BLEEDER			
33-693 FB05-33-693	2	CAP, RUBBER			
33-696A FD01-33-696	4	PIN, PAD-FRONT BRAKE			
33-697 FD01-33-697	8	BOLT, BRIDGE-FRT BRAKE			
33-98Z FD13-33-98Z	1	CALIPER(R), PADLESS-FRT			
33-980 FD13-33-980B	1	CALIPER(R), FRT BRAKE			
33-980Z FD13-33-990B	1	CALIPER(L), FRT BRAKE			
33-99Z FD13-33-99Z	1	CALIPER(L), PADLESS-FRT			
49-240C FB05-49-240	1	SEAL KIT, CALIPER-FRT			

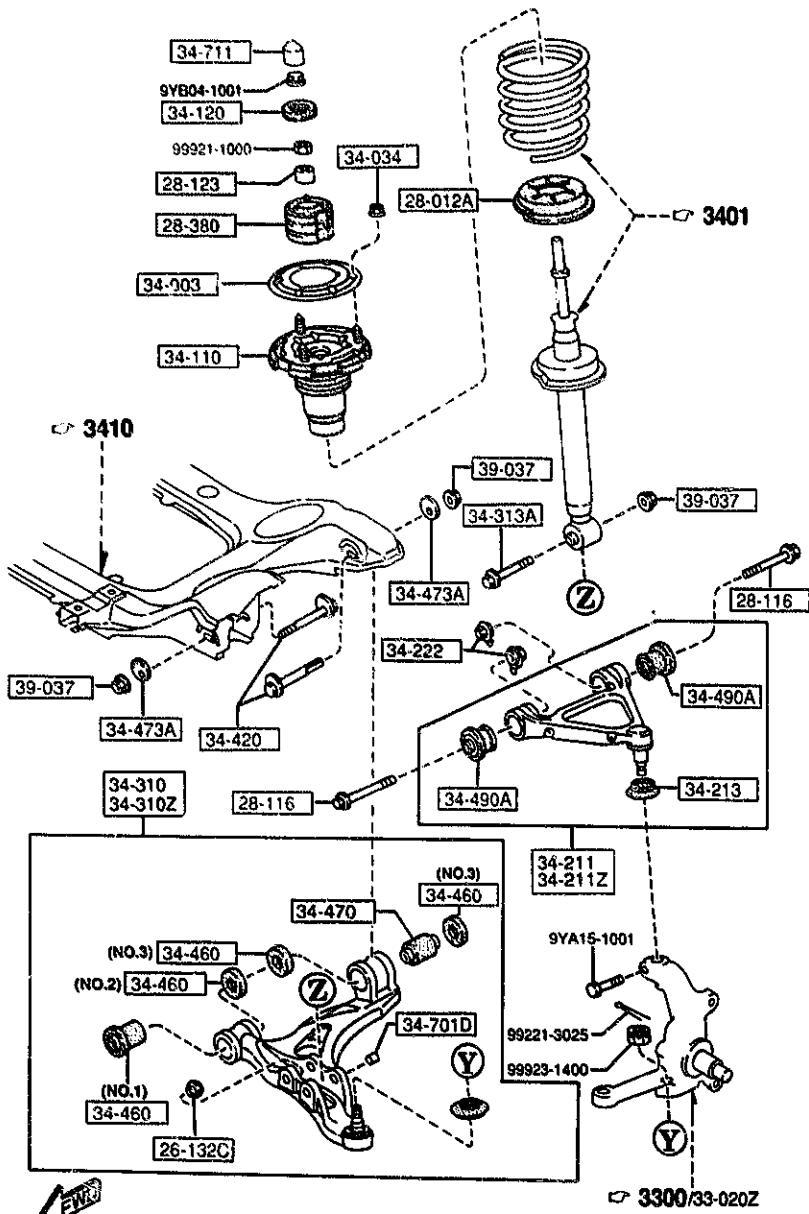


AUFA05

CAT. AUFA05-03

1995-03

3400 FRONT SUSPENSION MECHANISMS



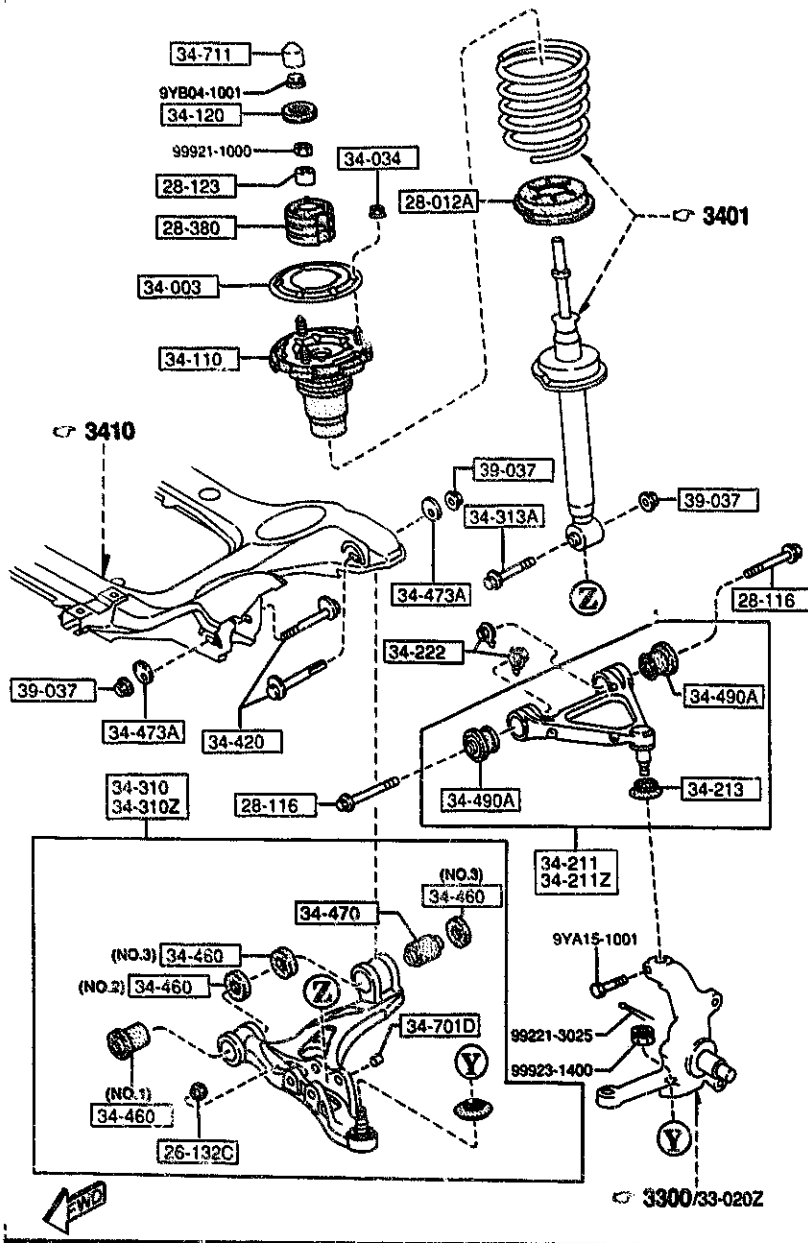
PART NO.	QTY	MODEL/RESTRICTION	MODEL/RESTRICTION	MODEL/RESTRICTION	FROM-TO
26-132C		WASHER, SLEEVE-REAR B			
FB01-26-132	2	RAKE			
28-012A		SHEET, RUBBER			
FD01-28-012	2				
28-116		BOLT			
FD01-28-116	4				
28-123		SPACER			
FD01-28-123A	2				
28-380		RUBBER, MOUNTING			
FD15-28-380A	2				
34-003		SHEET, FRT DAMPER			
FD01-34-003	2				
34-034		NUT, FLANGE			
H380-34-034	6				-4501
AN(H380-34-034A)	6				
H380-34-034A	6				4501-
34-110		BUMPER, BOUND			
FD15-34-110A	2				
FD15-34-110B	2				-3A15
34-120		STOPPER			
FD01-34-120	2				3A15-
34-211		ARM(R), UPPER			
FD15-34-200	1				
34-211Z		ARM(L), UPPER			
FD15-34-250	1				
34-213		BOOT, BALL JOINT-UP. A			
FD01-34-213	2	RM			
34-222		NUT			
8871-34-222	4				
3A15 FD333*-301059					
4501 FD333*-303535					

AUFA05

CAT. AUFA05-03

1995-03

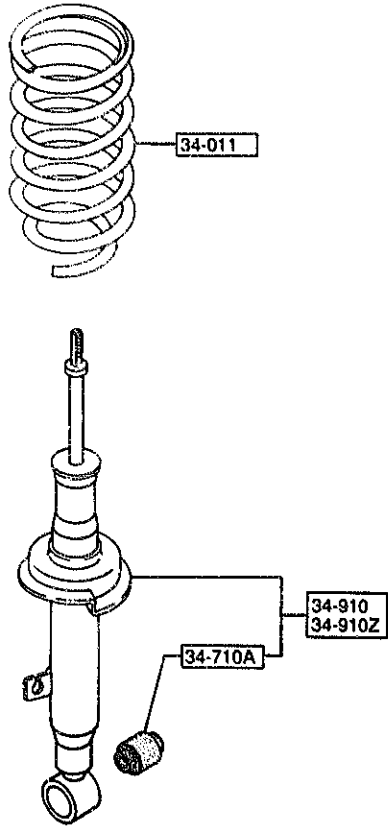
3400 FRONT SUSPENSION MECHANISMS



PART NO.	QTY	MODEL/RESTRICTION	MODEL/RESTRICTION	MODEL RESTRICTION	FROM-TO
34-310		ARM(R), LOWER			
FD15-34-300	1				
34-310Z		ARM(L), LOWER			
FD15-34-350	1				
34-313A		BOLT			
H260-34-313	2				
34-420		BOLT, ADJUST			
FD01-34-420	4				
34-460		BUSH, RUBBER-LWR ARM			
FD01-34-460B	2	(ILLUST. NO.1)			
FD01-34-461	2	(ILLUST. NO.2)			
FD01-34-471A	4	(ILLUST. NO.3)			
34-470		BUSHING, RUBBER-FRT			
FD01-34-470A	2				
34-473A		PLATE, CAM			
FD01-34-473	4				
34-490A		BUSHING, RUBBER			
FD01-34-480A	4				
34-701D		SLEEVE			
FD01-34-701B	2				
34-711		CAP			
FD01-34-711A	2				
39-037		NUT			
B001-39-037B	6				

3401 FRONT SPRING & DAMPER

3401 -1 * FRONT SPRING & DAMPER



PART NO.	QTY	MODEL/RESTRICTION	MODEL/RESTRICTION	MODEL/RESTRICTION	FROM-TO
34-011		SPRING, COIL-FRONT			
FD01-34-011	2	((MT))>(W/O SUN-RF) ((MT))>(GLASS SUN-RF)			
FD17-34-011	2	(AT) ((MT))>(STEEL SUN-RF)			
34-710A		BUSHING, DAMPER-LOWER			
FD01-34-710A	2				
34-910		DAMPER(R), FRONT			
FD15-34-700A	1	(NOR. SUSP)			
FD16-34-700A	1	(HARD SUSP)			
34-910Z		DAMPER(L), FRONT			
FD15-34-900A	1	(NOR. SUSP)			
FD16-34-900A	1	(HARD SUSP)			



AUFA05

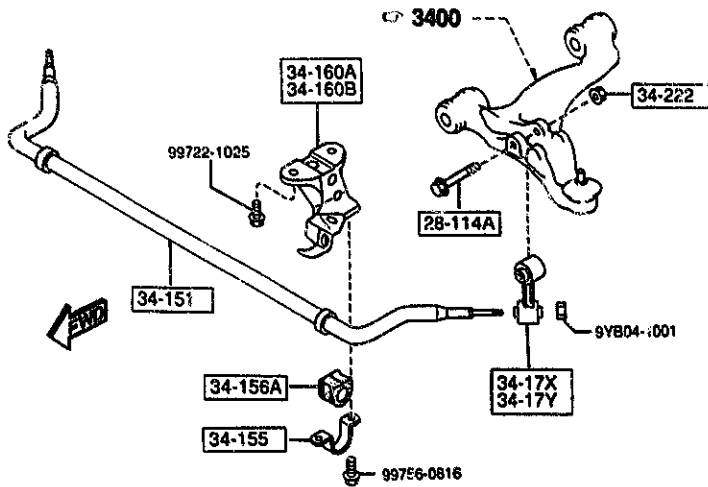
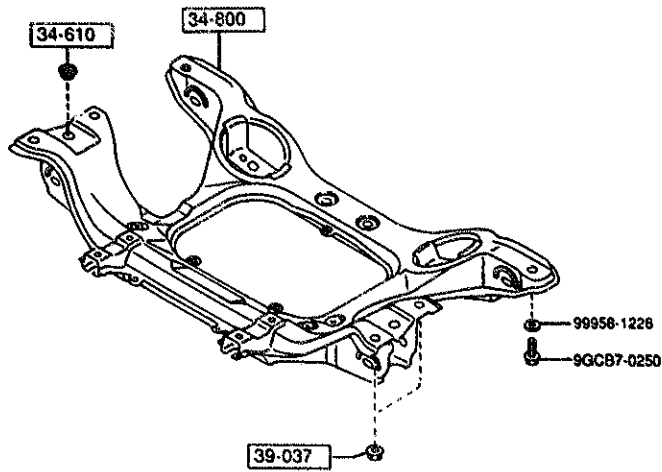
-131-

CAT. AUFA05-03

1995-03

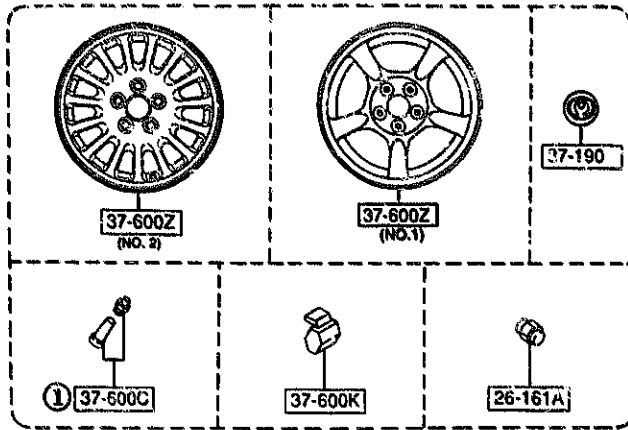
3410 CROSSMEMBER & STABILIZER

3410 -1 K CROSSMEMBER & STABILIZER

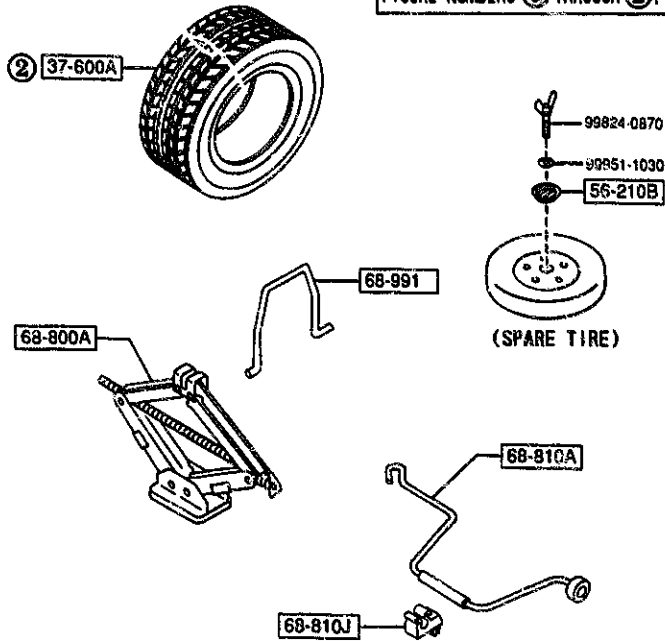


PART NO.	QTY	MODEL/RESTRICTION	MODEL/RESTRICTION	MODEL/RESTRICTION	FRGM-TO
28-114A FD01-28-114	2	BOLT			
34-151 FD01-34-151A	1	STABILIZER, FRONT			
34-155 FD01-34-155	2	PLATE, STABILIZER			
34-156A FD01-34-156	2	RUBBER, STAB -FRT			
34-160A FD01-34-160D	1	BRACKET, STABILIZER (FOR RIGHT)			
34-160B FD01-34-180C	1	BRACKET, STABILIZER (FOR LEFT)			
34-17X FD01-34-17X	1	LINK(R), FRONT STABILIZER			
34-17Y FD01-34-19X	1	LINK(L), FRONT STABILIZER			
34-222 8871-34-222	2	NUT			
34-610 FD01-34-610A	2	RUBBER, MOUNTING			
34-800 FD01-34-800G AN(FD01-34-800H)	1	MEMBER, CROSS			-3A05
34-800H FD01-34-800H	1				3A05-
39-037 8001-39-037B	4	NUT			

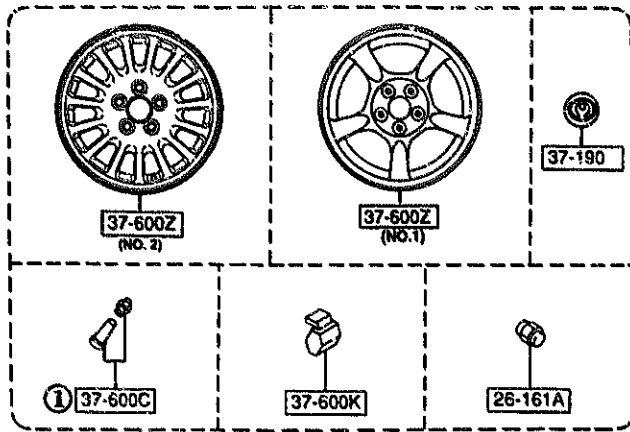
3A05 FD333K-300921



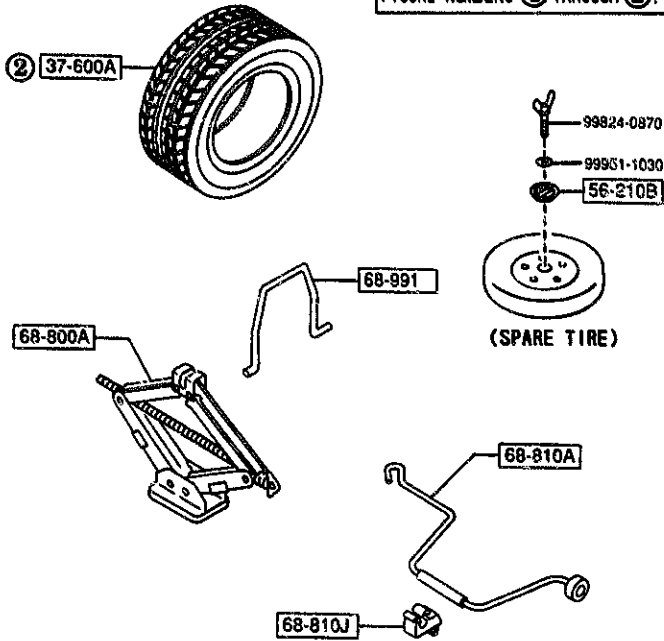
NOTE
 ① → ② → 37-600X
 THE D-CODE OF 37-600X CONSISTS OF
 FIGURE NUMBERS ① THROUGH ②.



PART NO.	QTY	MODEL/RESTRICTION	MODEL/RESTRICTION	MODEL/RESTRICTION	FROM-TO
26-161A		NUT, HUB			
8002-37-166	20	PLATED			
37-190		CAP, CENTER			
FD01-37-191B	4				
37-600A		TIRE			
90620-17636	1	T135/70D16 8S			
90622-65726	4	225/50R16 {(MT)>(A/R. SUSP)>(GL ASS SUN-RF)}			
90623-25726	4	225/50R16 {(MT)>(NDR. SUSP)>(N/ O SUN-RF)} {(MT)>(NDR. SUSP)>(ST EEL SUN-RF)}			
90623-35726	4	225/50R16 (AT)			
37-600C		VALVE, AIR			
99636-04130	5	TR413			
37-600K		WEIGHT, DISC WHEEL-AL UMI			
99655-90005	4	5G FOR 1-PIECE WHL			
99655-90010	4	10G FOR 1-PIECE WHL			
99655-90015	4	15G FOR 1-PIECE WHL			
99655-90020	4	20G FOR 1-PIECE WHL			
99655-90025	4	25G FOR 1-PIECE WHL			
99655-90030	4	30G FOR 1-PIECE WHL			
99655-90035	4	35G FOR 1-PIECE WHL			
99655-90040	4	40G FOR 1-PIECE WHL			
99655-90045	4	45G FOR 1-PIECE WHL			
99655-90050	4	50G FOR 1-PIECE WHL			

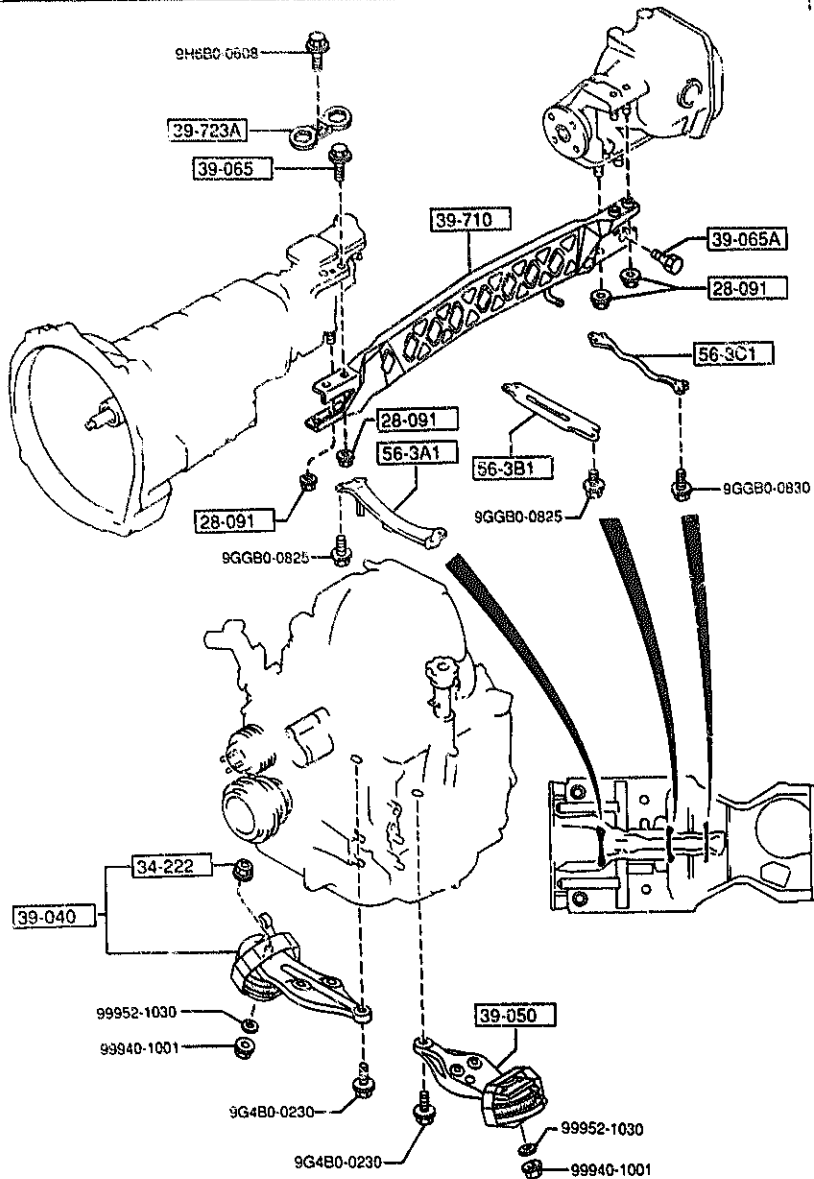


NOTE
 ① - ② ⇒ 37-600X
 THE D-CODE OF 37-600X CONSISTS OF
 FIGURE NUMBERS ① THROUGH ②.



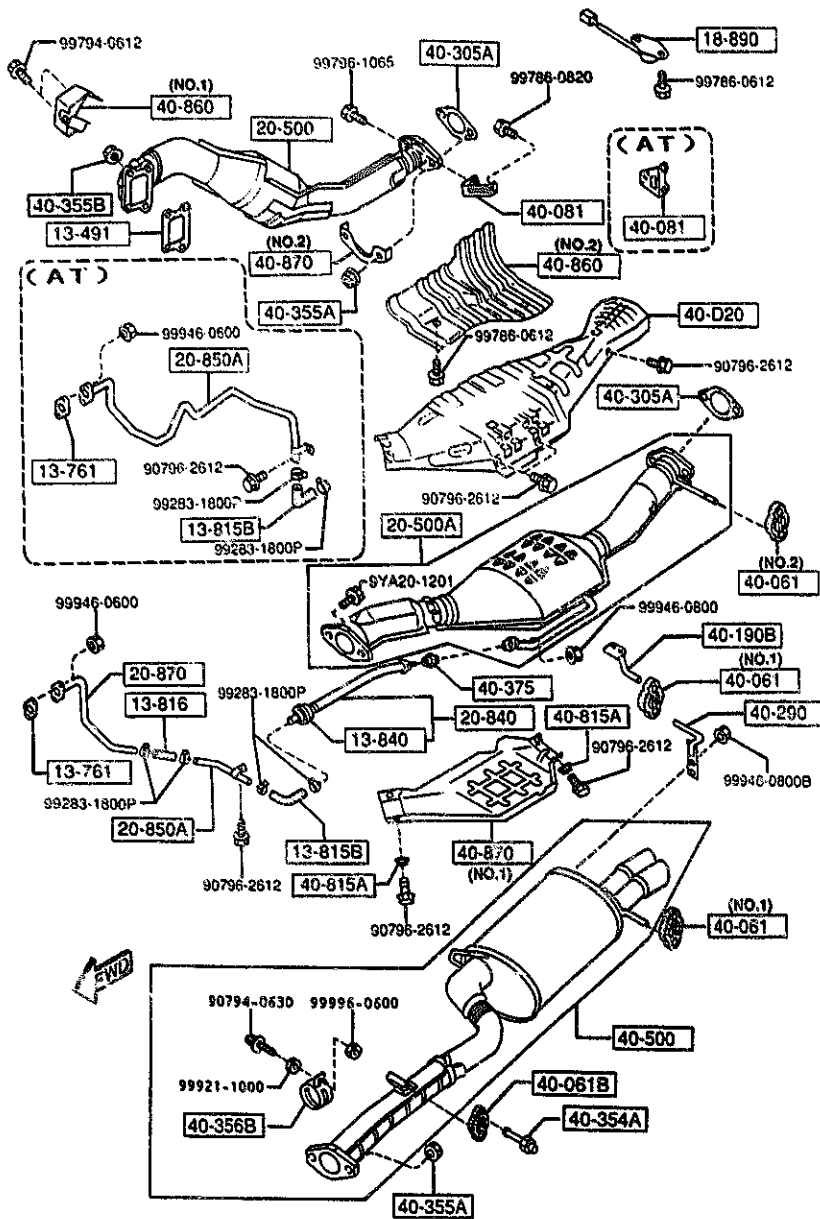
PART NO.	QTY	MODEL/RESTRICTION	MODEL/RESTRICTION	MODEL/RESTRICTION	FROM-TO
CONT'D					
99655-90055	4	550 FOR 1-PIECE WHL			
99655-90060	4	600 FOR 1-PIECE WHL			
37-600X		TIRE & AIR VALVE			
90692-55726	4	((MT)>(HARD SUSP))			
37-600Z		WHEEL, DISC-ALUMI.			
99650-28060	4	8JX16 P=114/0=50 (ILLUST. NO.1) (MT)			
99650-58060	4	8JX16 P=114/0=50 (ILLUST. NO.1) (AT)			
99651-94060	1	4TX16 P=114/0=40 (ILLUST. NO.2)			
56-210B		CLAMP, SPARE TIRE			
FB01-56-971	1				
68-800A		JACK			
FD01-37-790A	1				
68-810A		HANDLE, JACK			
FD01-37-810	1				
68-810J		HGLDR, JACK HANDLE			
FD01-56-171A	1				
68-991		WIRE			
FD01-56-172	1				

3900 ENGINE & T/MISSION MOUNTINGS



PART NO.	QTY	MODEL/RESTRICTION	MODEL/RESTRICTION	MODEL/RESTRICTION	FROM-TO
28-091		NUT			
FB01-28-091A	8				
34-222		NUT			
8871-34-222	1				
39-040		RUBBER(R),ENGINE MT.			
FD01-39-040C	1				
39-050		RUBBER(L),ENGINE MT.			
FD01-39-050A	1				
39-065		BOLT			
FD01-39-065	2				
39-065A		BOLT			
FD01-39-066	1				
39-710		FRAME,POWER PLANT			
FD01-39-710B AN(FD01-39-710C)	1				-3A14
FD31-39-710C	1				3A14-
39-723A		STOPPER			
FD01-39-723	1				
56-3A1		MEMBER 'A', TUNNEL			
FD01-56-3A1	1				
56-3B1		MEMBER 'B', TUNNEL			
FD01-56-3B1	1				
56-3C1		MEMBER 'C', TUNNEL			
FD01-56-3C1D	1				
3A14 FD333*-301042					

4000 EXHAUST SYSTEM



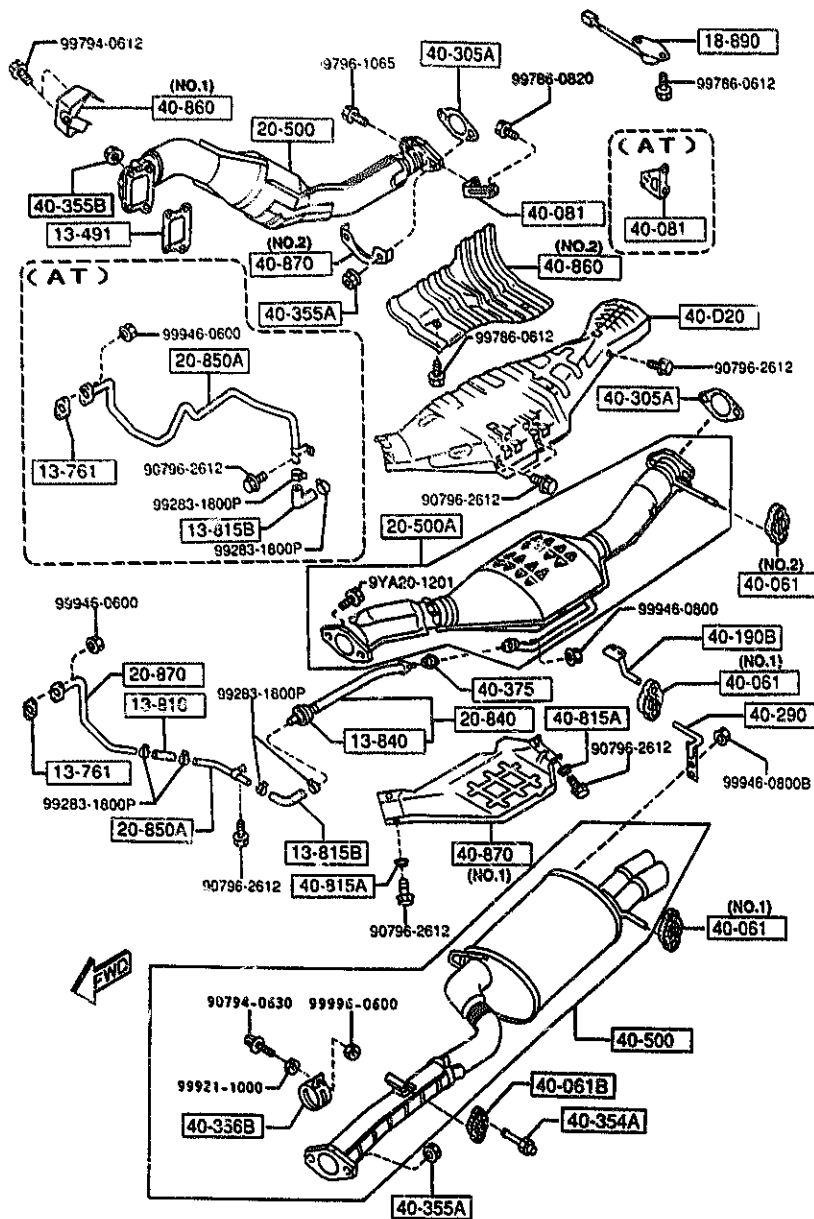
4000 -1 EXHAUST SYSTEM

PART NO.	QTY	MODEL/RESTRICTION	MODEL/RESTRICTION	MODEL/RESTRICTION	FROM-TO
13-491					
NSA1-13-491	1	GASKET, JOINT PIPE			
13-761					
NS86-13-535	1	GASKET NON ASBESTOS			
13-815B					
NSA1-13-815A	1	HOSE, AIR	(AT)		
NSA7-13-815	1	HOSE, AIR	(MT)		
13-816					
NSA1-13-816A	1	HOSE, AIR	(MT)		
13-840					
NSA2-13-840	1	VALVE, CHECK			
18-890					
NSA1-18-890	1	SWITCH, THERMO			
20-500					
NSA1-20-500	1	CONVERTER, CATALYST	(MT)		
NSA2-20-500	1	CONVERTER, CATALYST	(AT)		
20-500A					
NSA1-20-600	1	CATALYST, THREE WAY	(MT)		
NSA2-20-600	1	CATALYST, THREE WAY	(AT)		
20-840					
NSA2-20-840B	1	PIPE, AIR			
20-850A					
NSA1-20-850A	1	PIPE, AIR	(MT)		
N3C2-20-850	1	PIPE, AIR	(AT)		
20-870					
NSB7-20-870B	1	PIPE, AIR	(MT)		
40-D20					
NSA1-40-D20F	1	INSULATOR, CONVERTER			

AUFA05

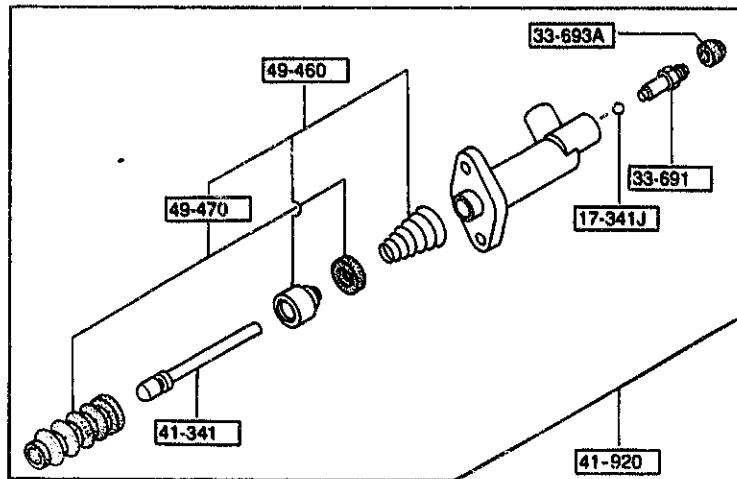
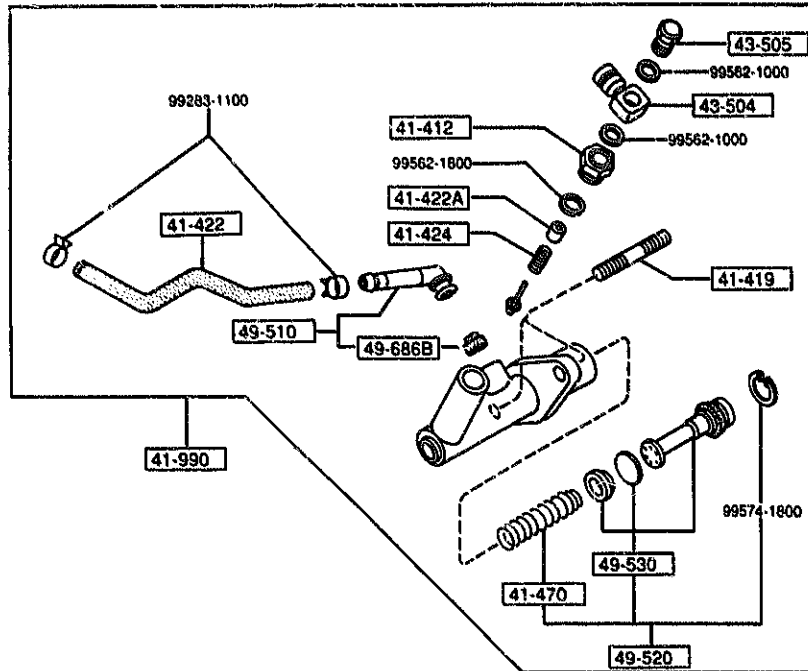
CAT. AUFA05-03

1995-03



PART NO.	QTY	MODEL/RESTRICTION	MODEL/RESTRICTION	MODEL/RESTRICTION	FROM-TO
40-061		HANGER, SILENCER			
N3A2-40-061A	1	(ILLUST. NO.2)			-4307
N3A1-40-061C A (N3A1-40-061D)	2				4307-
N3A1-40-061D	2	(ILLUST. NO.1)			
40-061B		RUBBER, HANGER			
FE20-40-061	1				
40-081		BRACKET, HANGER			
N3A1-40-080A	1	(MT)			
N3A2-40-080	1	(AT)			
40-190B		BRACKET, HANGER			
N3A1-40-190	1				
40-290		HANGER			
N3A1-40-290	1				
40-305A		GASKET			
RF36-40-305	2	NON ASBESTOS			
40-354A		BOLT			
N3A1-40-354	1				
40-355A		NUT			
JE11-40-355	4				
40-355B		NUT			
JE10-40-355	4				
40-356B		BAND			
N3A8-40-356	1				
40-375		GASKET			
N378-40-307	1				
40-500		SILENCER, MAIN			
N3C1-40-100A	1	(MT)			
N3C2-40-100A	1	(AT)			
4307 FD333#-302860					

4140 CLUTCH RELEASE & MASTER CYLINDERS (MANUAL TRANSMISSION)



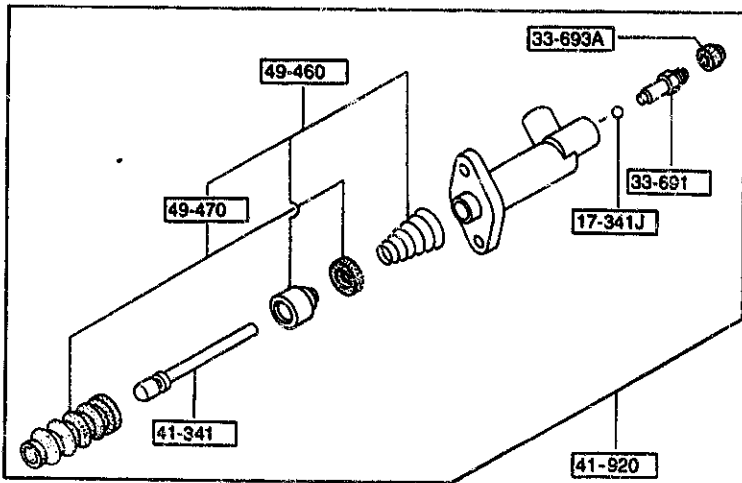
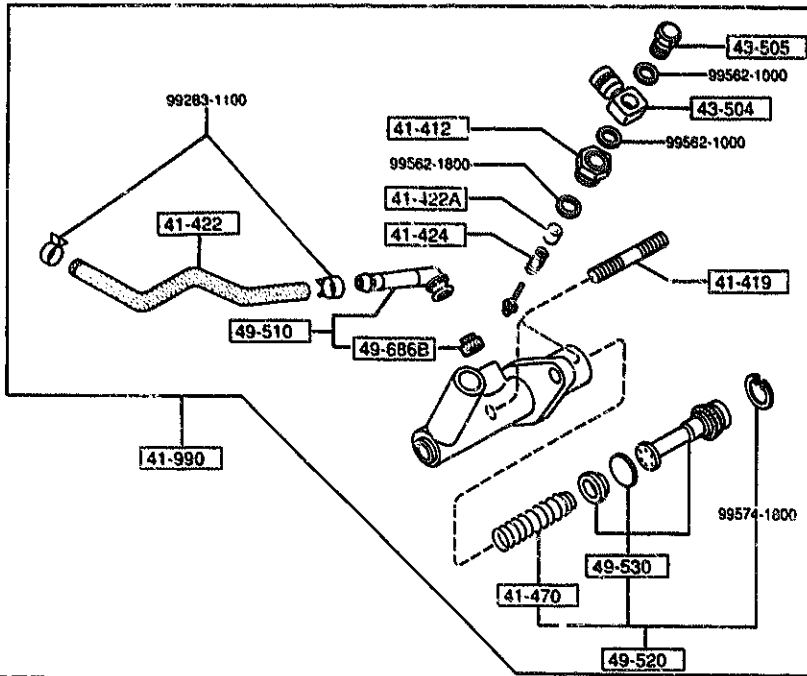
AUFA05

PART NO.	QTY	MODEL/RESTRICTION	MODEL/RESTRICTION	MODEL/RESTRICTION	FROM-TO
17-341J		BALL, STEEL			
99611-1500	1				
33-691		SCREW, BLEEDER			
0259-33-691	1				
33-693A		CAP, BLEEDER SCREW			
0259-33-693	1				
41-341		ROD, PUSH			
H266-41-341	1				
41-412		BOLT, JOINT			
G091-41-412	1				
41-419		STUD, CLUTCH CYL.			
FD01-41-419	2				
41-422		HOSE, RESERVE			
F100-41-421	1				
41-422A		PISTON, O.W. VALVE			
081-41-422D	1				
41-424		SPRING, O.W. VALVE			
H005-41-424	1				
41-470		SPRING			
8312-41-470	1				
41-920		CYL., CLUTCH RELEASE			
FD01-41-920	1				
41-990		CYL., CLUTCH MASTER			
F100-41-990B	1				
43-504		JOINT, PIPE			
W023-43-504	1				
43-505		BOLT, CONNECTOR			
W023-43-505	1				

CAT. AUFA05-03

1995-03

4140 CLUTCH RELEASE & MASTER CYLINDERS (MANUAL TRANSMISSION)



PART NO.	QTY	MODEL/RESTRICTION	MODEL/RESTRICTION	MODEL/RESTRICTION	FROM-TO
49-460		PARTS KIT, INNER			
H005-49-460	1				
49-470		SEAL KIT			
H005-49-470	1				
49-510		BUSH SET			
W001-49-510	1				
49-520		PARTS KIT, INN.-CLUTC H			
B312-41-522	1				
49-530		SEAL KIT			
B312-41-532	1				
49-686B		BUSH, ELBOW JOINT			
0839-49-686A	1				



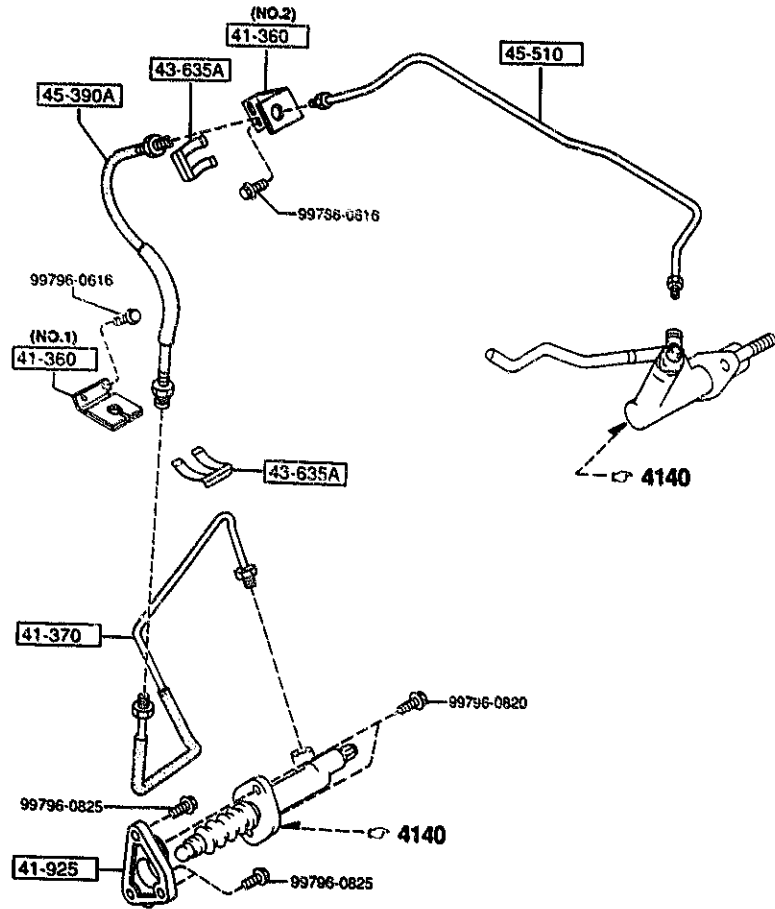
AUFA05

CAT. AUFA05-03

1995-03

4145 CLUTCH PIPINGS (MANUAL TRANSMISSION)

4145 -1 * CLUTCH PIPINGS (MANUAL TRANSMISSION)



PART NO.	QTY	MODEL/RESTRICTION	MODEL/RESTRICTION	MODEL/RESTRICTION	FRGM-TO
41-360		HOLDER, CLUTCH			
FD03-41-370	1	(ILLUST. NO.1)			
F100-41-370	1	(ILLUST. NO.2)			
41-370		PIPE, CLUTCH			
FD01-41-360A	1				
41-925		SUPPORT, CLUTCH RELEASE			
NS15-16-921	1				
43-635A		CLIP, FLEXIBLE HOSE			
0136-43-635	2				
45-390A		HOSE, CLUTCH FLEXIBLE			
HE01-45-540	1				
45-510		PIPE, CLUTCH			
FD01-45-510D	1				



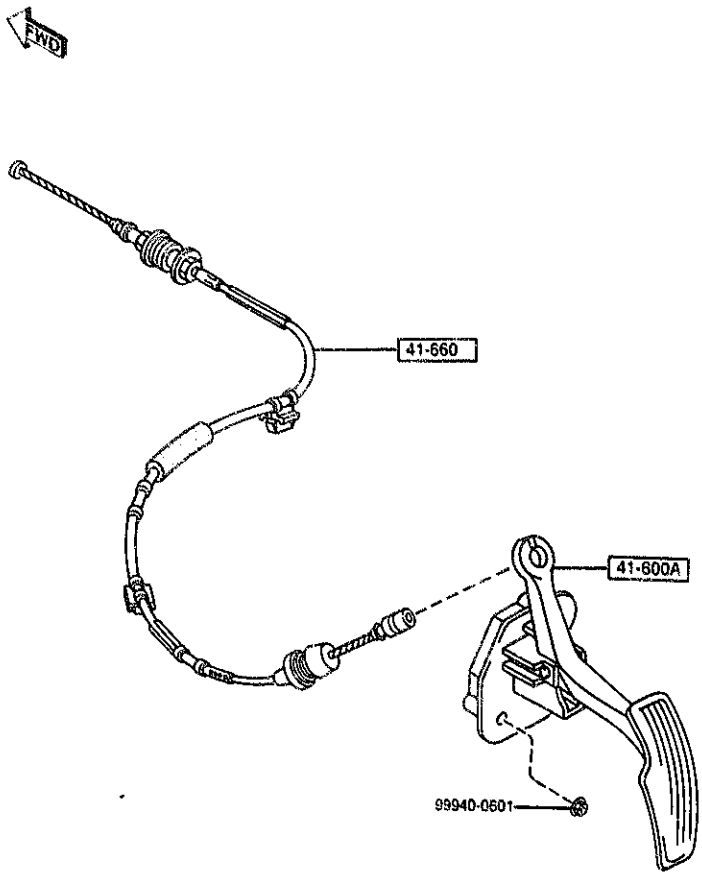
AUFA05

CAT. AUFA05-03

1995-03

4160 ACCELERATOR CONTROL SYSTEM

4160 -1 * ACCELERATOR CONTROL SYSTEM



PART NO.	QTY	MODEL/RESTRICTION	MODEL/RESTRICTION	MODEL/RESTRICTION	FROM-TO
41-600A		PEDAL, ACCEL.			
FD01-41-600B	1				
41-660		CABLE, ACCEL.			
FD01-41-660B	1				

AUFA05

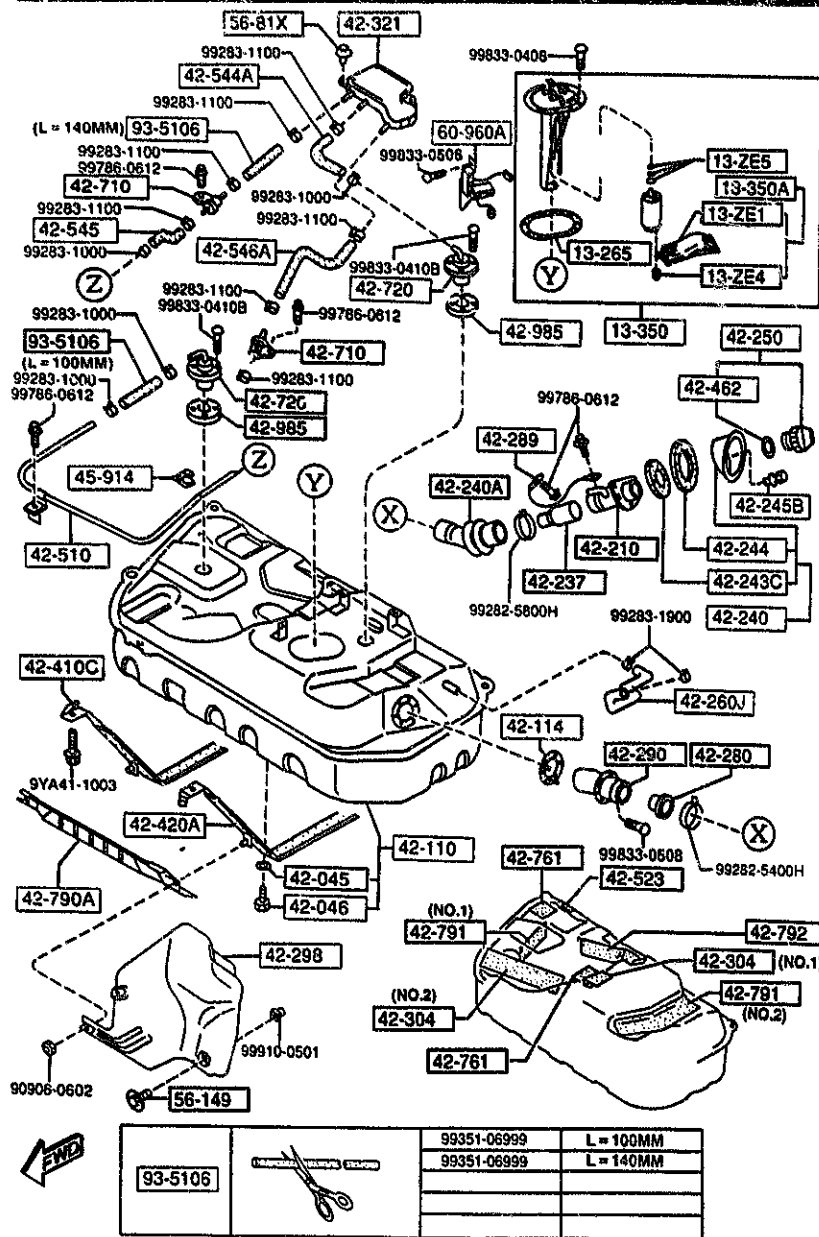
CAT. AUFA05-03

1995-03

2-J 6

4200 FUEL TANK

4200 -1 FUEL TANK



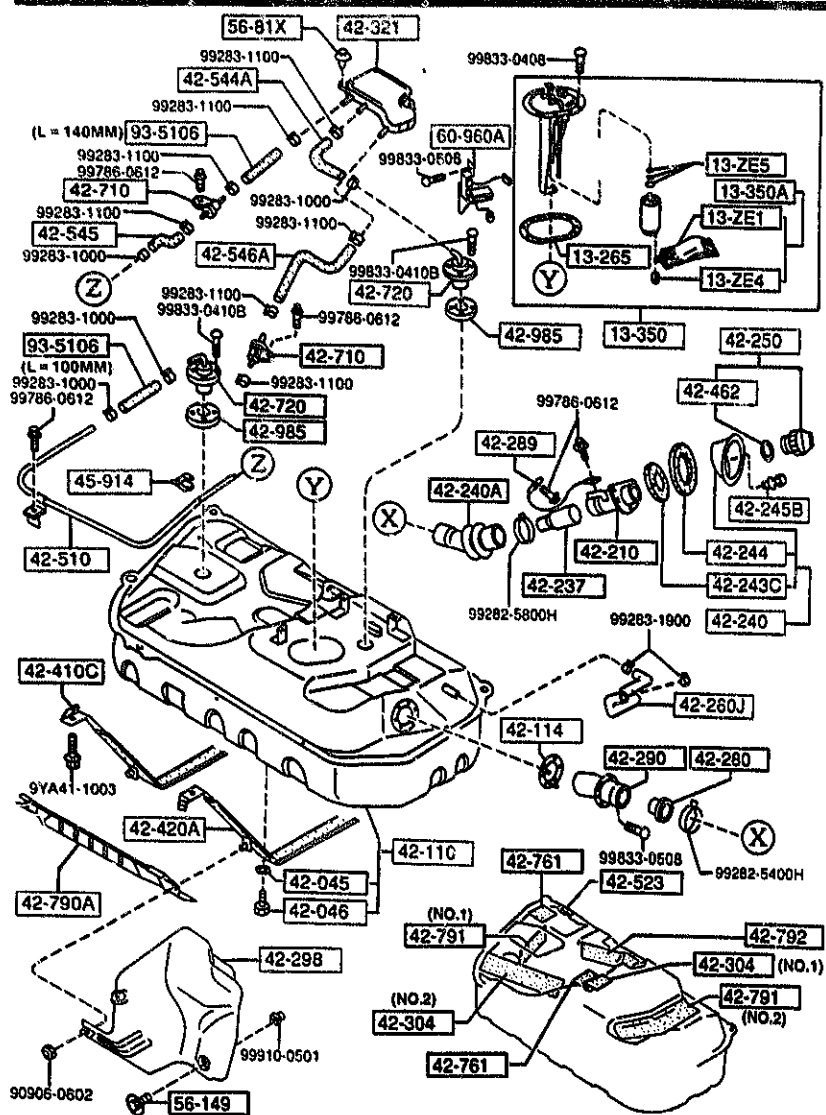
PART NO.	QTY	MODEL/RESTRICTION	MODEL/RESTRICTION	MODEL/RESTRICTION	FROM-TO
13-ZE1		FILTER, FUEL PUMP			
JE17-13-ZE1	1	DENSO			
13-ZE4		WASHER, LOCK-PUMP FILTER			
FEN2-13-ZE4	1	NIPPONDENSO (JAPAN)			
13-ZE5		RING, 'O'-FUEL PUMP			
BP02-13-ZE5	1				
13-265		GASKET			
H030-60-962	1				
13-350		PUMP, FUEL			
NSA1-13-35Z	1				
13-350A		PUMP, FUEL-SUB			
NS90-13-350	1				
42-045		GASKET, DRAIN PLUG			
0866-42-046	1				
42-046		PLUG, DRAIN			
B596-42-045	1				
42-110		TANK, FUEL			
FD15-42-110	1				-4525
A (FD15-42-110A)					
FD17-42-110A	1				-4525
A (FD17-42-110B)					
*FD15-42-110A	1 (MT)				4525-
*FD17-42-110B	1 (AT)				4525-
42-114		GASKET, FILLER PIPE/TANK			
H031-42-114	1				
42-210		PIPE, FILLER			
FD01-42-210A	1				
42-237		PIPE, INNER			
FD01-42-237	1				
4525 FD333M-303554					

AUFA05

CAT. AUFA05-03

1993-03

4200 FUEL TANK



93-5106		99351-06999	L = 100MM
		99351-06999	L = 140MM

PART NO.	QTY	MODEL/RESTRICTION	MODEL/RESTRICTION	MODEL/RESTRICTION	FROM-TO
42-240		COVER, DUST			
FD01-42-24Z	1				
42-240A		HOSE, JOINT-FILLER PIPE			
FD01-42-231A	1				
42-243C		GASKET 'A', REINFORCEMENT			
GE60-42-243	1				
42-244		GASKET 'B', DUST COVER			
FD01-42-244	1				
42-245B		BOLT, DUST COVER			
H260-42-245A	2				
42-250		CAP, FILLER			
UE54-42-250	1				
42-260J		HOSE, BREATHER			
FD01-42-252	1				
42-280		VALVE, NON RETURN			
D061-42-270	1				
42-289		WIRE, EARTH-FILLER PIPE			
FD01-42-289	1				
42-290		PIPE, FILLER NO.2			
FD17-42-11X	1 (AT)				
H030-42-11X	1 (MT)				
FD17-42-11X	1 (MT)				
42-298		PROTECTOR, FILLER HOSE			
FD01-42-298	1				
42-304		PAD, FUEL TANK			
B455-42-761	1 (ILLUST. NO.1)				
FD01-42-762	1 (ILLUST. NO.2)				

4106 FD333M-301753

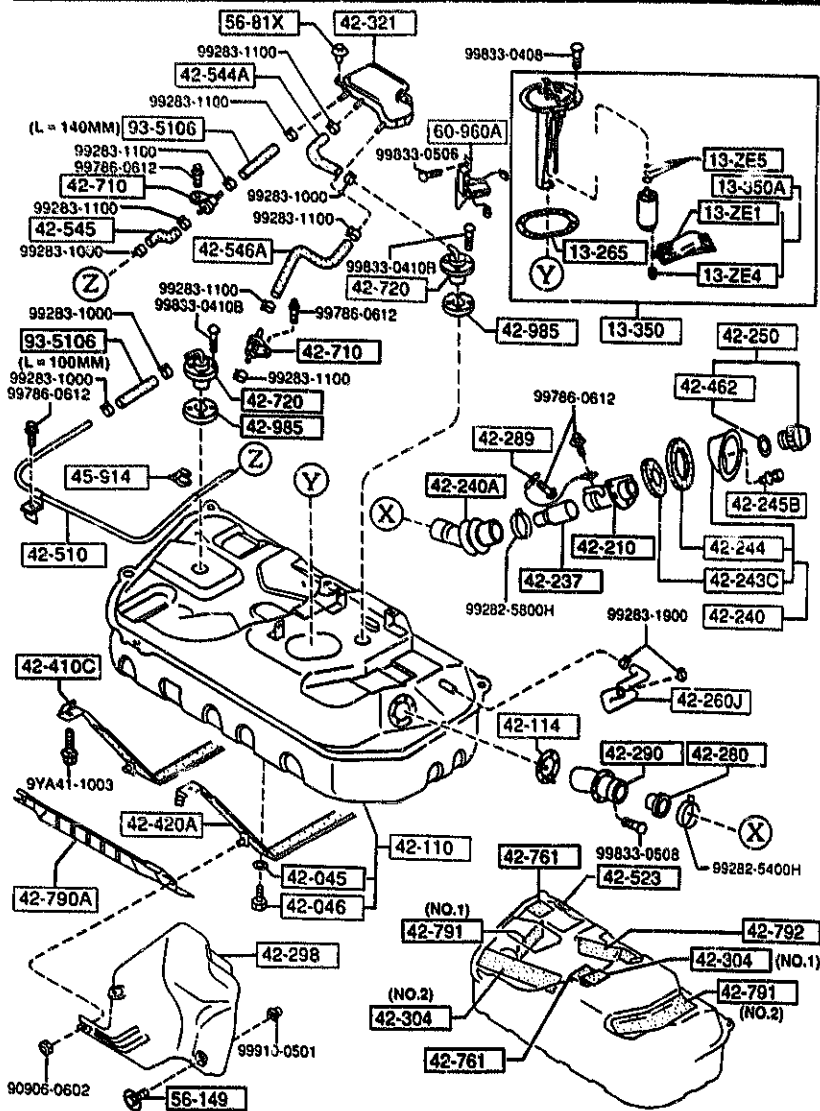
4106

AUFA05

CAT. AUFA05-03

1995-03

4200 FUEL TANK



		99351-06999	L = 100MM
		99351-06999	L = 140MM

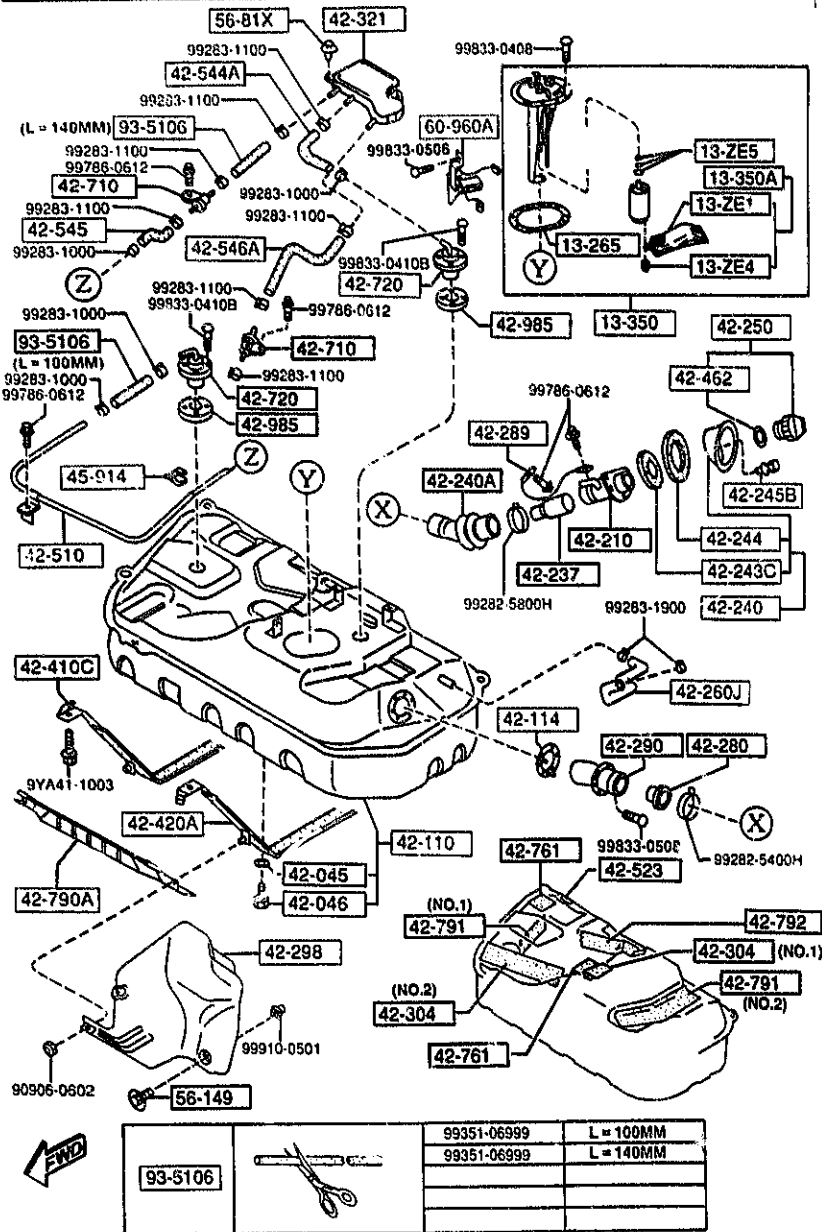
PART NO.	QTY	MODEL/RESTRICTION	MODEL/RESTRICTION	MODEL/RESTRICTION	FROM TO
42-321		SEPARATOR, LIQ. VAPOR			
FD01-42-541	1				
42-410C		BAND(R), TANK FIX.			
FD01-42-710	1				
42-420A		BAND(L), TANK FIX.			
FD01-42-720	1				
42-462		GASKET, CAP			
BF67-42-252	1				
42-510		PIPE, FUEL			
FD01-42-510A	1				
42-523		PAD, FUEL TANK			
FD01-42-767	1				
42-544A		HOSE, FUEL-SEPARATOR			
FD01-42-544	1				
42-545		HOSE, FUEL			
FD01-42-545	1				
42-546A		HOSE, FUEL-SEPARATOR			
FD01-42-546	1				
42-710		VALVE, CHECK			
J001-42-910A	2				
42-720		VALVE, FUEL VAPOR.			
BC1M-42-980	2 (MT)				
FB01-42-980	2 (AT)				
42-761		PAD			
FD01-42-761	2				
42-790A		PROTECTOR, FUEL TANK			
FD01-42-790	1				

AUFA05

CAT. AUFA05-03

1995-03

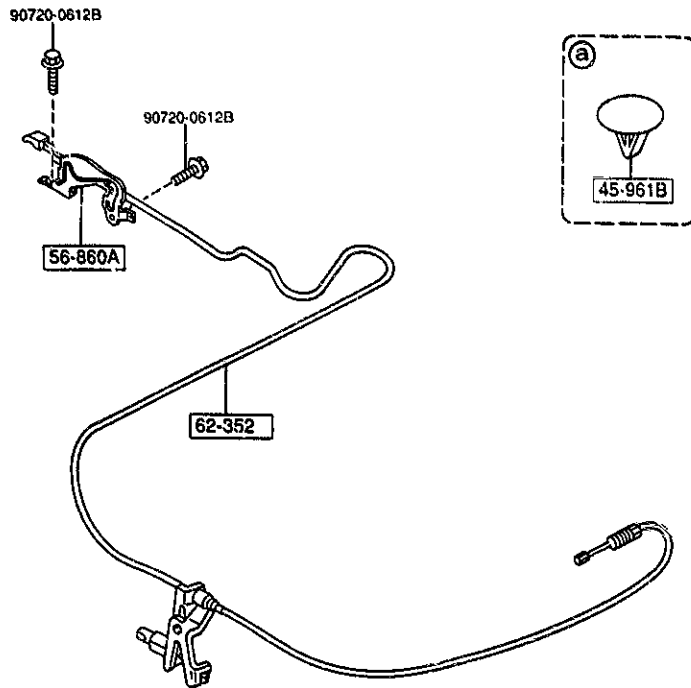
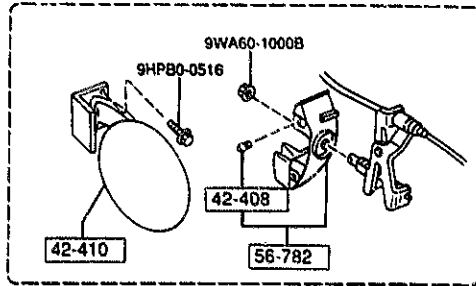
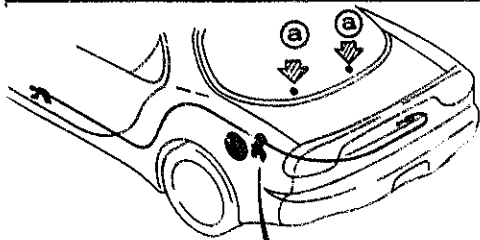
4200 FUEL TANK



PART NO.	QTY	MODEL/RESTRICTION	MODEL/RESTRICTION	MODEL/RESTRICTION	FROM TO
42-791		PAD, FUEL TANK			
8529-42-763	1	NISSHO (ILLUST. NO.1)			
FD01-42-763	1	MOLTEN (ILLUST. NO.2)			
42-792		PAD, FUEL TANK			
FD01-42-768	1				
42-985		GASKET, VAPOR VALVE			
FB01-42-985	2 (AT)				
45-914		HOI DER, PIPE			
FB01-45-914	1	NIFUKO			
56-149		SCREW, TAPPING-MUD GU ARD			
B455-56-149	3				
56-81X		FASTENER, DUCT PANEL			
FB01-56-81X	2				
60-960A		GAUGE, FUEL TANK			
FD01-60-960A	1 (MT)				
FD17-60-960	1 (AT)				
93-5106		HOSE			
99351-06999	1				

4210 -1 * FUEL LID OPENER

4210 FUEL LID OPENER



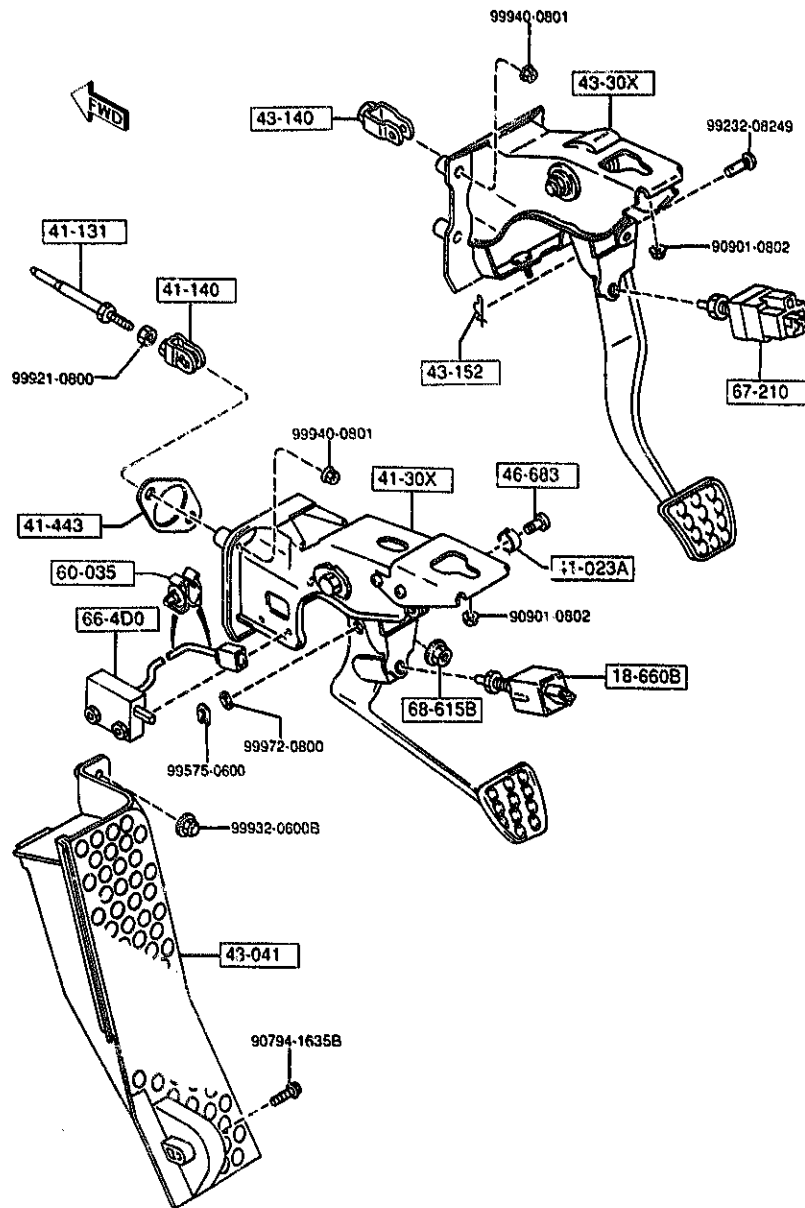
PART NO.	QTY	MODEL/RESTRICT. ON	MODEL/RESTRICTION	MODEL/RESTRICTION	FROM-TO
42-408		STOPPER, FILLER LID			
0187-70-491	2				
42-410		LID, FUEL FILLER			
FD01-42-41X	1				
45-961B		CAP			
H002-45-961	2				
56-782		BRACKET, STOPPER			
FD01-56-83XC	1				
56-860A		LEVER, OPENER			
FD01-56-860C	1				
62-352		CABLE, OPENER			
FD01-56-870A	1				

AUFA05

CAT. AUFA05-03

1995-03

4300 CLUTCH & BRAKE PEDALS (MANUAL TRANSMISSION)



4300 -1 CLUTCH & BRAKE PEDALS (MANUAL TRANSMISSION)

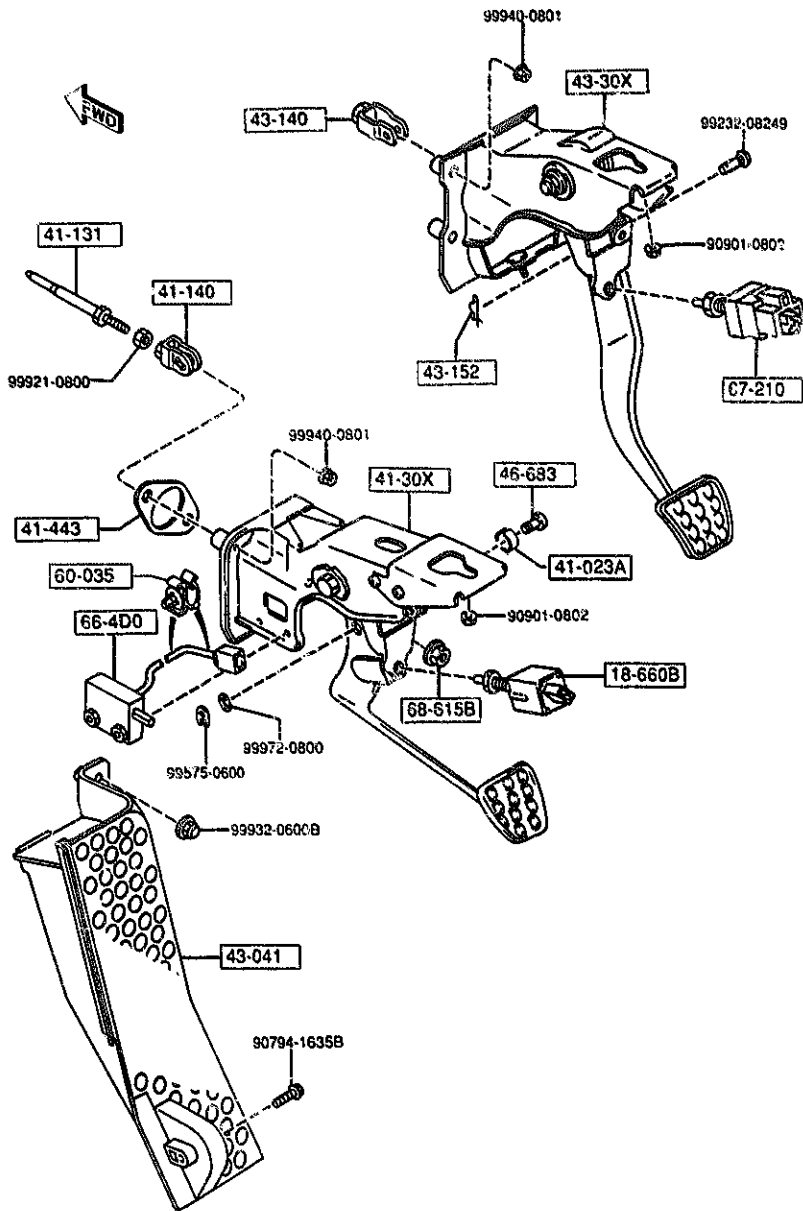
PART NO.	QTY	MODEL/RESTRICTION	MODEL/RESTRICTION	MODEL/RESTRICTION	FROM-TO
18-660B	1	SWITCH, CLUTCH			
LA01-66-490A	1				
41-023A	1	BUSH			
0727-41-023	1				
41-131	1	ROD, PUSH			
0727-41-131	1				
41-140	1	FORK, CLUTCH			
0305-41-140	1				
41-30X	1	PEDAL, CLUTCH			
FD01-41-30XA	1				
41-443	1	GASKET			
H001-41-443	1				
43-041	1	REST, FOOT			
FD01-43-041	1				
43-140	1	FORK, BRAKE			
HE01-43-140	1				
43-152	1	PIN, SNAP			
D001-43-152	1				
43-30X	1	PEDAL, BRAKE			
FD01-43-30XA	1				
46-683	1	PIN			
0187-46-683	1				
60-035	2	CLIP, C.S.D. WIRE			
W201-60-035	2				
66-4D0	1	SWITCH, CLUTCH CUT			
NF05-66-4D0	1				
67-210	1	SWITCH, STOP-LAMP			
BR70-66-490A	1				

AUFA05

CAT. AUFA05-03

1995-03

4300 CLUTCH & BRAKE PEDALS (MANUAL TRANSMISSION)



PART NO.	QTY	MODEL/RESTRICTION	MODEL/RESTRICTION	MODEL/RESTRICTION	FROM-TO
+-----+ 68-615B +-----+ B100-68-615	1	NUT, FLANGE-CAP			

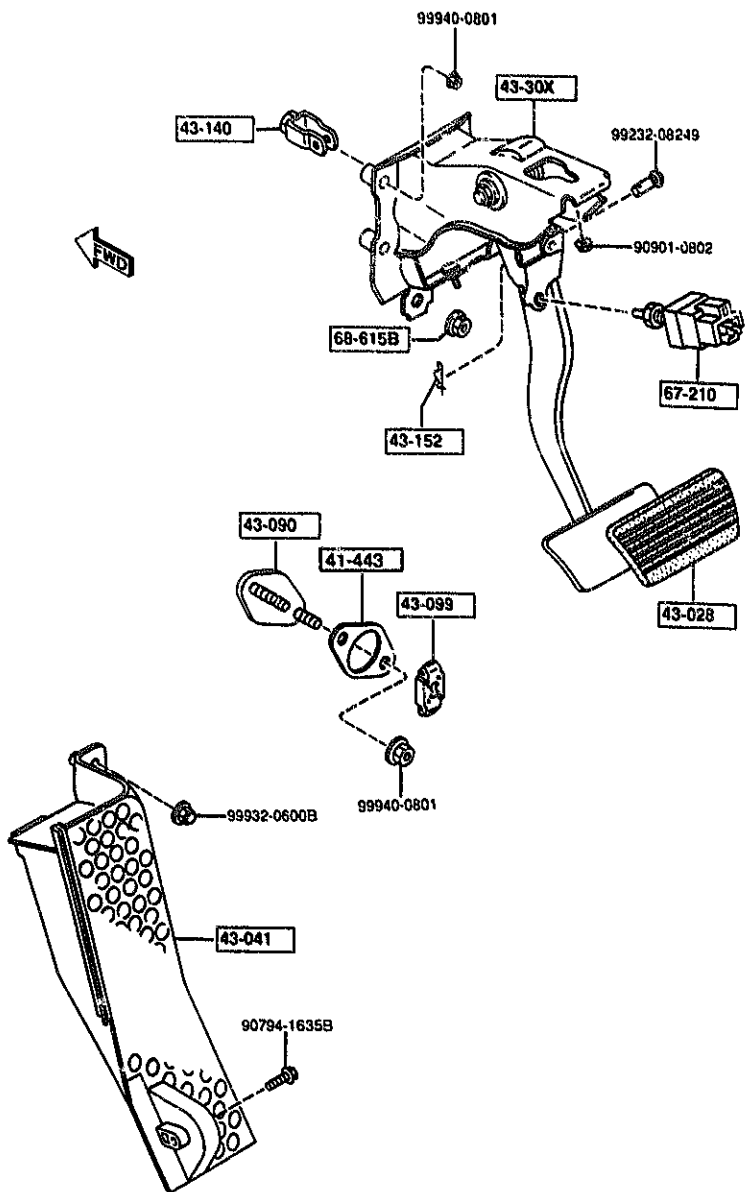
AUFA05

CAT. AUFA05-03

1995-03

4300A -1 * BRAKE PEDALS (AUTOMATIC TRANSMISSION)

4300A BRAKE PEDALS (AUTOMATIC TRANSMISSION)



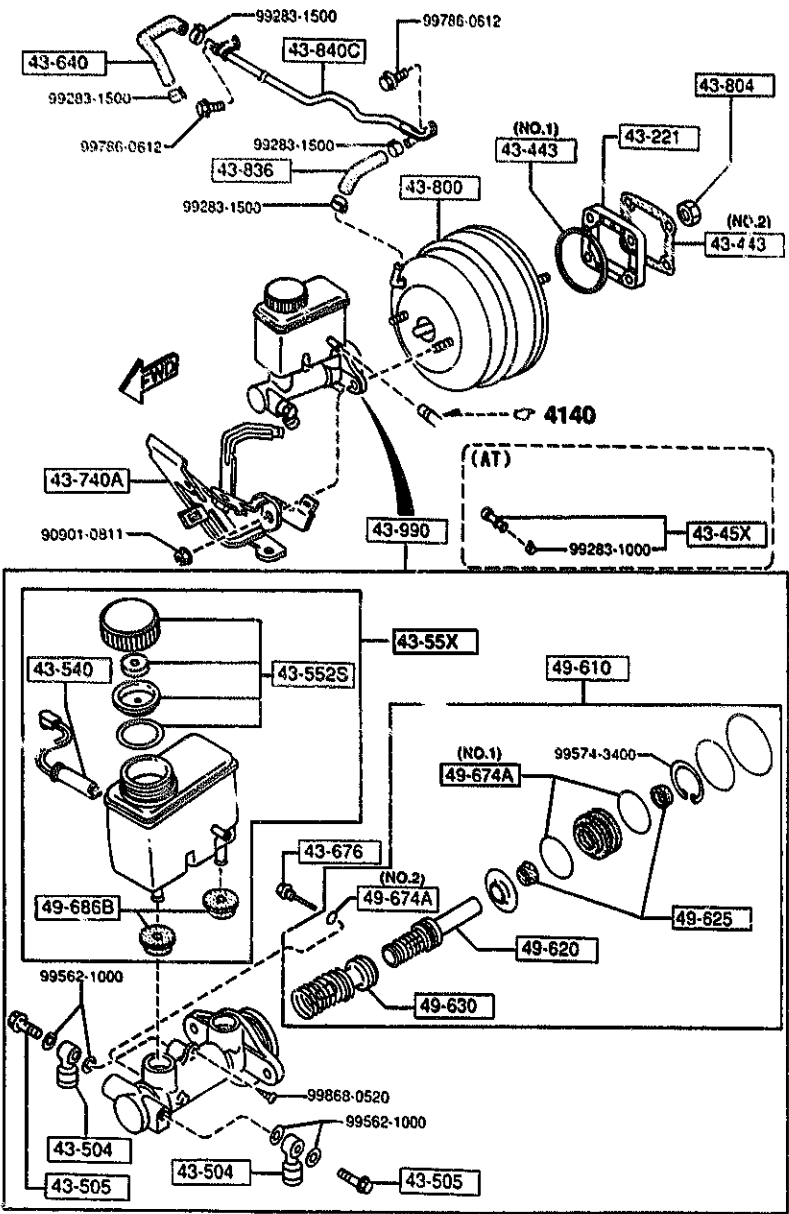
PART NO.	QTY	MODEL/RESTRICTION	MODEL/RESTRICTION	MODEL/RESTRICTION	FROM-TO
41-443		GASKET			
H001-41-443	1				
43-028		PAD, PEDAL			
H261-43-028	1				
43-041		REST, FOOT			
FD01-43-041	1				
43-090		PLATE			
HF23-43-090A	1				
43-099		HOLDER, PLATE			
HF23-43-099	1				
43-140		FORK, BRAKE			
HE01-43-140	1				
43-152		PIN, SNAP			
DD01-43-152	1				
43-30X		PEDAL, BRAKE			
FD02-43-30XA	1				
67-210		SWITCH, STOP-LAMP			
BR70-66-490A	1				
68-615B		NUT, FLANGE-CAP			
B100-68-615	1				

AUFA05

CAT. AUFA05-03

1995-03

4340 BRAKE MASTER CYLINDER & POWER BRAKE



PART NO.	QTY	MODEL/RESTRICTION	MODEL/RESTRICTION	MODEL/RESTRICTION	FROM-TO
43-221		SPACER			
FD01-43-221A	1				
43-443		GASKET, VAC POWER AS SIST			
FD01-43-443A	1	(ILLUST. NO.1)			
H001-43-443	1	NON ASBESTOS (ILLUST. NO.2)			
43-45X		PROTECTOR			
B603-43-45XA	1	(AT)			
43-504		JOINT, PIPE			
W023-43-504	2				
43-505		BOLT, CONNECTOR			
W023-43-505	2				
43-540		INDICATOR, LEVEL			
FD04-43-540A	1				
43-55X		SET, TANK			
*FDY1-43-55X	1				
43-552S		CAP SET, RESERVE TANK			
B603-49-580	1				
43-640		HOSE, VACUUM			
FD01-43-640B	1				
43-676		BOLT SET			
H381-43-676	1				
43-740A		BRACKET, CABLE			
FD01-43-740B	1				
43-800		VACUUM POWER ASSIST			
FD04-43-800B	1				
43-804		NUT			
B91C-43-954	1				

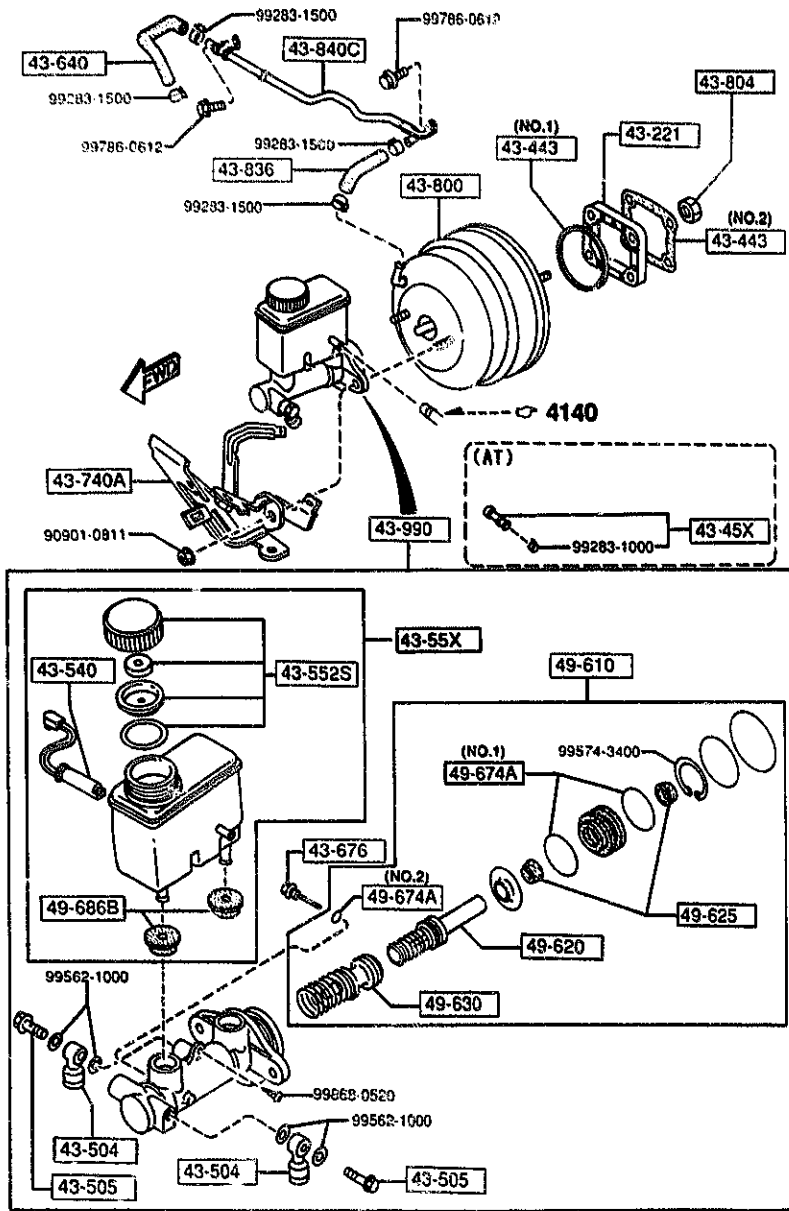
AUFA05

CAT. AUFA05-03

1995-03

4340 BRAKE MASTER CYLINDER & POWER BRAKE

4340 -2 * BRAKE MASTER CYLINDER & POWER BRAKE



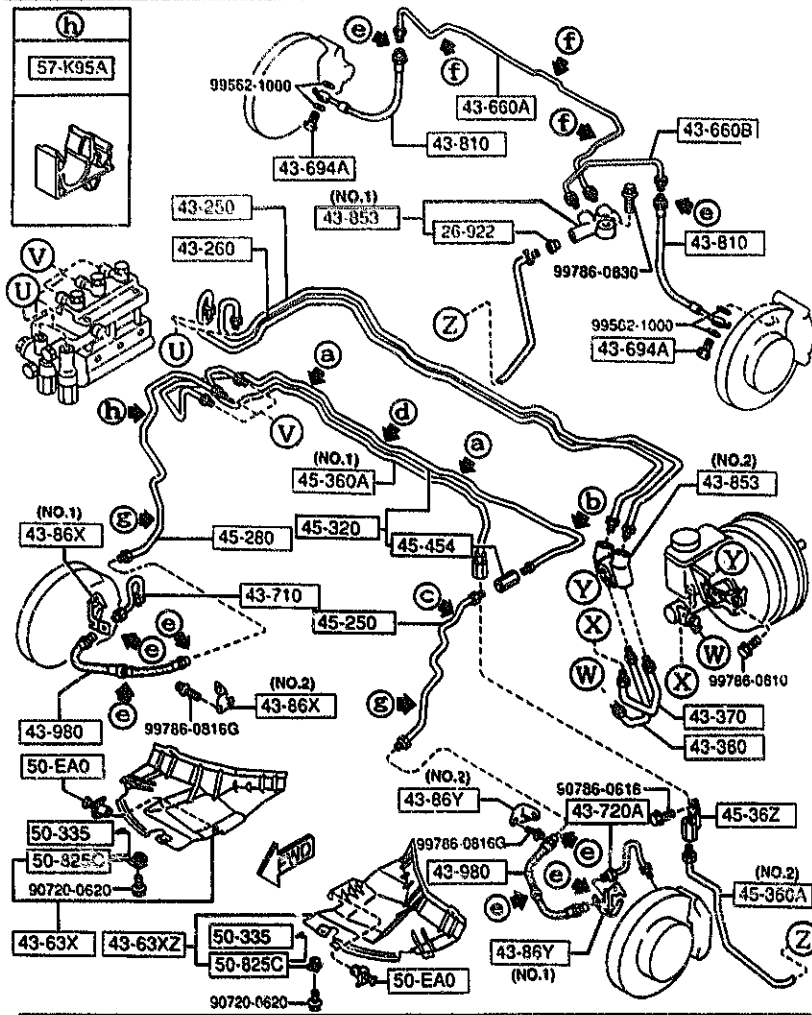
PART NO.	QTY	MODEL/RESTRICTION	MODEL/RESTRICTION	MODEL/RESTRICTION	FROM-TO
43-836		HOSE, VACUUM			
FD01-43-836B	1				
43-840C		PIPE, VACUUM			
FD01-43-840B	1				
43-990		CYL., TANDEM MASTER			
GDY1-43-402B	1				-3B01
MFDD4-43-40Z	1				3B01-
49-610		PARTS KIT, INN.-BRAKE			
B6Y4-43-41Z	1				
49-620		PISTON, PRIMARY			
B533-43-62Z	1				
49-625		CUP, SECONDARY			
NA23-43-625	2				
49-630		PISTON, FLOATING			
B604-43-63Z	1				
49-674A		RING, "O"-MASTER CYL.			
NA23-43-515	2	SHINEI KOGYO (ILLUST. NO.1)			
99541-00603	1	NOK (ILLUST. NO.2)			
49-686B		BUSH, ELBOW JOINT			
F100-49-686	2				
3B01 FD333M-301117					

AUFA05

CAT. AUFA05-03

1955-03

4360 BRAKE PIPINGS



a	b	c	d	e	f	g
45-920	45-921A	45-903G	45-984	43-635	45-819	45-914

4360 -1 BRAKE PIPINGS

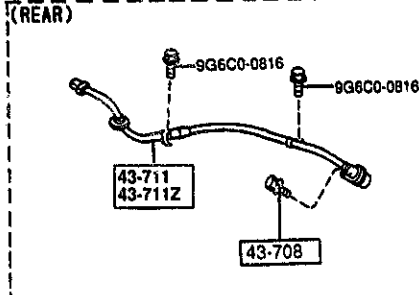
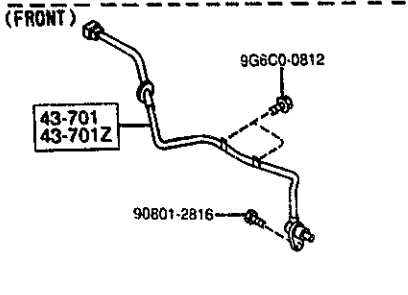
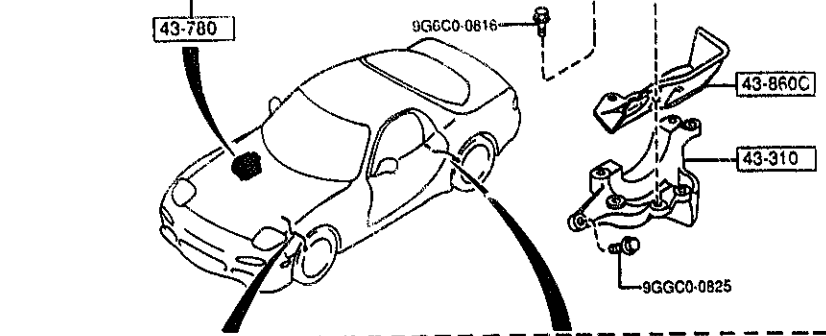
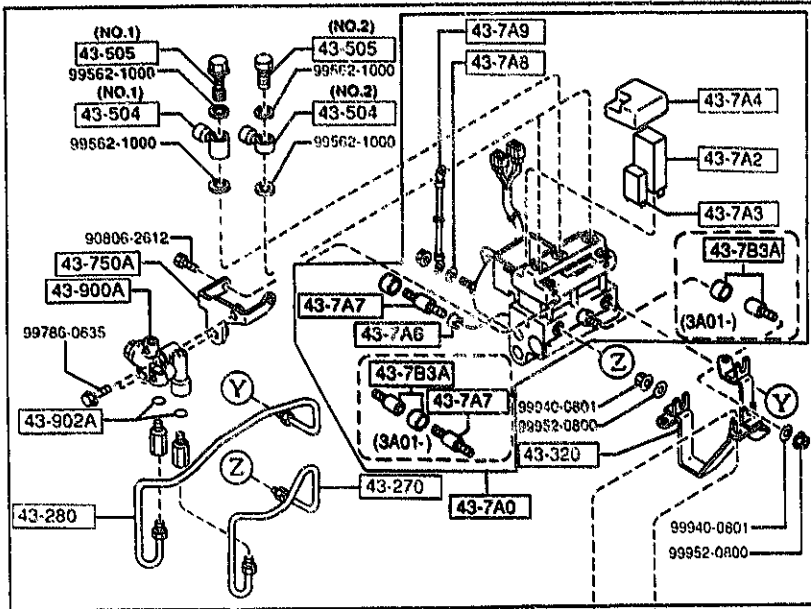
PART NO.	QTY	MODEL/RESTRICTION	MODEL/RESTRICTION	MODEL/RESTRICTION	FROM-TO
26-922	1	SHEET, TUBE			
0613-26-922	1				
43-250	1	PIPE NO.1, BRAKE-A.B.			
FD04-43-250F	1				
43-260	1	PIPE NO.2, BRAKE-A.B.			
FD04-43-260C	1				
43-360	1	PIPE, BRAKE			
FD04-43-360B	1				
43-370	1	PIPE, BRAKE			
FD04-43-370B	1				
43-63X	1	DUCT(R), AIR-BRAKE PIPE			-3A01
FD01-43-63XE A (FD01-43-63XF)	1				
FD03-43-63XE A (FD03-43-63XF)	1				-3A01
FD01-43-63XF	1	(NOR. SUSP)			3A01-
FD03-43-63XF	1	(HARD SUSP)			3A01-
43-63XZ	1	DUCT(L), AIR-BRAKE PIPE			-3A01
FD01-43-64XD A (FD01-43-64XE)	1				
FD03-43-64XD A (FD03-43-64XE)	1				-3A01
FD01-43-64XE	1	(NOR. SUSP)			3A01-
FD03-43-64XE	1	(HARD SUSP)			3A01-
43-635	8	CLIP, FLEXIBLE HOSE			
W023-43-635	8				
43-660A	1	PIPE(R), BRAKE-REAR			
FD01-43-670B	1				
43-660B	1	PIPE(L), BRAKE REAR			
FD01-43-680B	1				
43-694A	1	BOLT, CONNECTOR			
3A01 FD333R-300088					

AUFA05

CAT. AUFA05-03

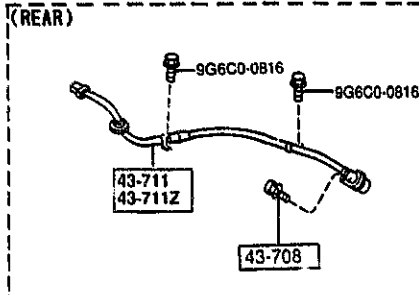
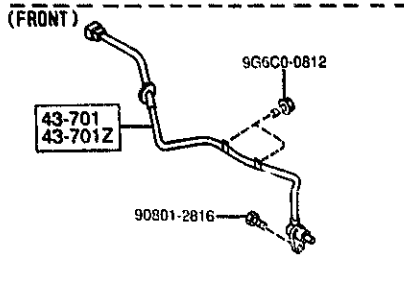
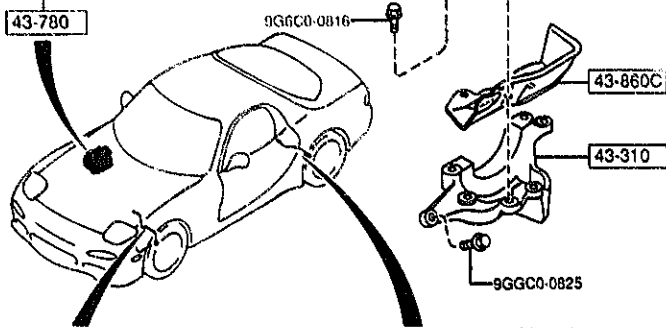
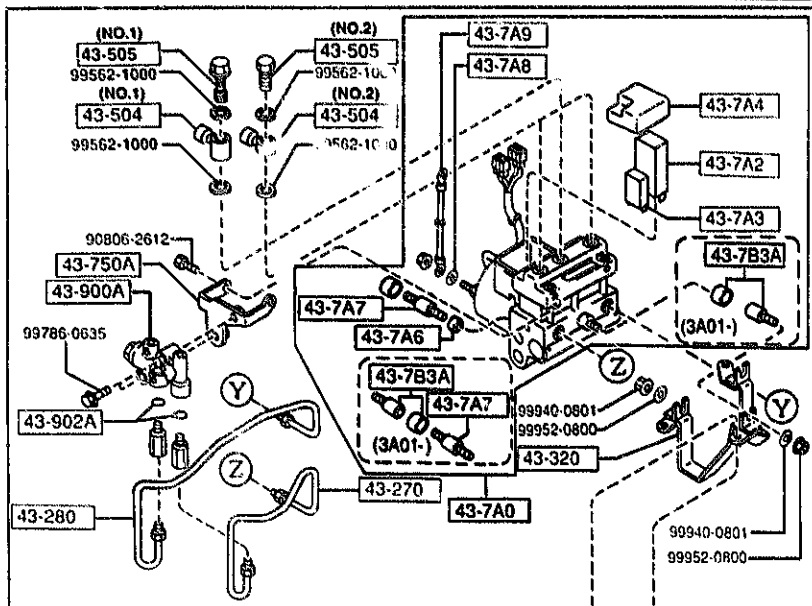
1995-03

4370 ANTILOCK BRAKE SYSTEM



PART NO.	QTY	MODEL/RESTRICTION	MODEL/RESTRICTION	MODEL/RESTRICTION	FROM-TO
43-270		PIPE NO.3, BRAKE-A. B.			
FD04-43-270B	1				
43-280		PIPE NO.4, BRAKE-A. B.			
FD04-43-280D	1				
43-310		BRACKET NO 1, A. B. S.			
FD04-43-311B	1				
43-320		BRACKET NO 2, A. B. S.			
FD04-43-320D	1				
43-504		JOINT, PIPE			
FD04-43-504	1	(ILLUST. NO.1)			
W023-43-504	2	(ILLUST. NO.2)			
43-505		BOLT, CONNECTOR			
FD04-43-505	1	(ILLUST. NO.1)			
W023-43-505	2	(ILLUST. NO.2)			
43-7A0		HYDRAULIC UNIT, A B S			
FD04-43-7A0D	1				
43-7A2		RELAY, MOTOR-HYD. UNI			
NA23-43-7A2	1				
43-7A3		RELAY, VALVE-HYD. UNI			
NA23-43-7A3	1				
43-7A4		COVER *L*, HYDRAULIC U			
NA23-43-7A4	1	NIT			
43-7A6		RUBBER, MOUNT-HYD. UN			
NA23-43-7A6	1	IT			- 3A01
43-7A7		STUD, HEX-HYD. UNIT			
NA23-43-7A7	1				
43-7A8		WASHER, HYD. UNIT			
NA23-43-7A8	1				
3A01 FD333K-300888					

4370 ANTILOCK BRAKE SYSTEM

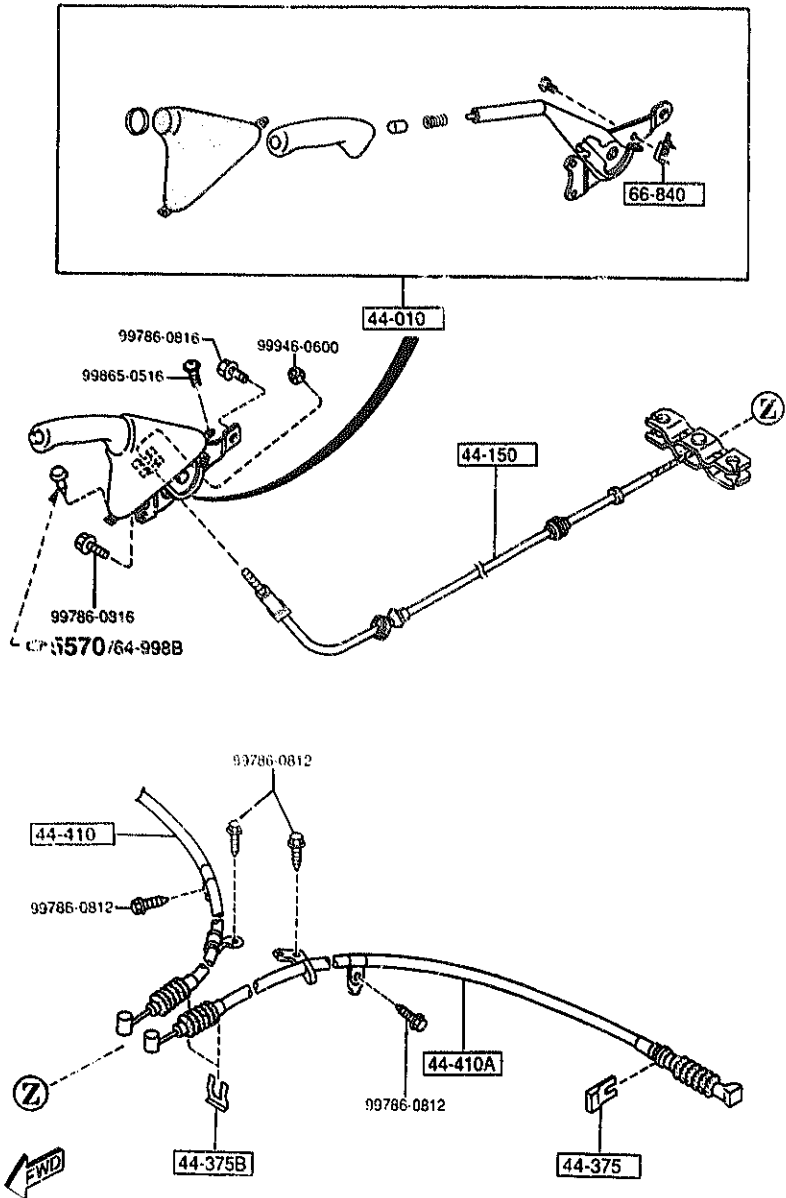


PART NO.	QTY	MODEL/RESTRICTION	MODEL/RESTRICTION	MODEL/RESTRICTION	FROM TO
43-7A9		WIRE, EARTH-HYD. UNIT			
FD04-43-7A9A	1				
43-7B3A		CASING, HYDRAULIC UNIT			
NA23-43-7B3	3				3A01-
43-701		SENSOR(R), FRT-A. B. S.			
FD05-43-70XB	1				
43-701Z		SENSOR(L), FRT-A. B. S.			
FD05-43-73XC	1				
43-708		BOLT, REAR SENSOR			
FD01-43-708A	2				
43-711		SENSOR(R), RR A. B. S.			
FD04-43-71YC	1				
43-711Z		SENSOR(L), RR-A. B. S.			
FD04-43-72YC	1				
43-750A		HOLDER, P. B. VALVE			
FD01-43-750C	1				
43-780		ANTILOCK BRAKE			
FD04-43-780F	1				
43-860C		INSULATOR, MASTER VAC			
FD01-43-860E	1				
43-900A		VALVE, P. B.			
FD04-43-920	1				
43-902A		RING 'O'			
NA17-43-902	2				

3A01 FD333*-300888

4400 -1 * PARKING BRAKE SYSTEM

4400 PARKING BRAKE SYSTEM



PART NO.	QTY	MODEL/RESTRICTION	MODEL/RESTRICTION	MODEL/RESTRICTION	FROM TO
44-010		LEVER, PARKING BRAKE			
FD01-44-010G	1				
44-150		CABLE, PARKING-FRT			
FD01-44-150	1				
44-375		CLIP, PARKING CABLE			
GA2B-44-375A	2	CHUOHATSUJD			
44-375B		CLIP			
0118-44-375	2				
44-410		CABLE(R), R.-PARK.			
FD01-44-410	1				-3901
A (FD01-44-410A)					
FD01-44-410A	1				3901-
44-410A		CABLE(L), R.-PARK.			
FD01-44-420A	1				-3917
A (FD01-44-420B)					
FD01-44-420B	1				3913-
66-840		SWITCH, PARKING LAMP			
FD01-66-450	1				
3901 FD333*-300438					
3913 FD333*-300537					

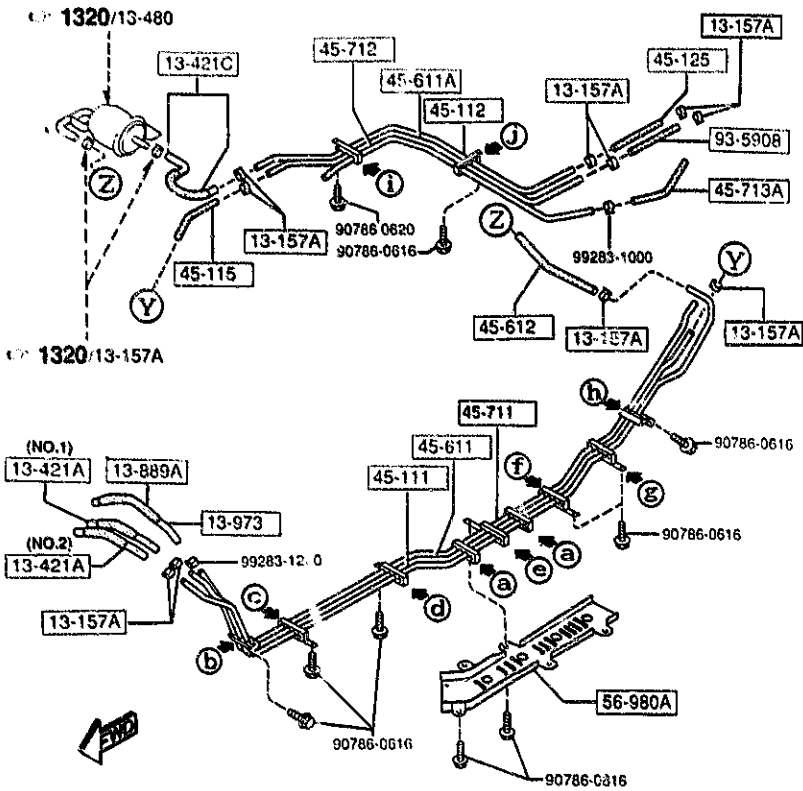
AUFA05

CAT. AUFA05-03

1995-03

4500 FUEL PIPINGS

4500 -1 FUEL PIPINGS



(NO.1)
13-421A 13-889A

(NO.2)
13-421A

(a) 45-911C	(b) 45-910E	(c) 45-920A	(d) 45-930	(e) 45-940	(f) 45-91X
(g) 45-960A	(h) 45-990	(i) 45-970	(j) 45-963		

PART NO.	QTY	MODEL/RESTRICTION	MODEL/RESTRICTION	MODEL/RESTRICTION	FROM-TO
13-157A		CLIP			
8574-13-157	10				
13-421A		HOSE, FUEL MAIN			
N3A1-13-421	1	(ILLUST. NO.1)			
N3A2-13-421	1	(ILLUST. NO.2)			
13-421C		HOSE, FUEL			
N3A1-13-410	1				
13-889A		PROTECTOR			
N3A2-13-889A	1				
13-973		HOSE, DRAIN			
N3A2-13-971A	1				
45-111		PIPE, FUEL-MAIN			
FD01-45-111	1				
45-112		PIPE, FUEL-MAIN			
FD01-45-112	1				
45-115		HOSE, FUEL-MAIN PIPE			
FD01-45-115B	1				
45-125		HOSE, FUEL			
99359-0815	1				
45-611		PIPE, FUEL-RETURN			
FD01-45-611A	1				
45-611A		PIPE, FUEL-RETURN			
FD01-45-612	1				
45-612		HOSE, FUEL			
99359-0819	1				
45-711		PIPE, EVAPORATION			
FD01-45-711	1				

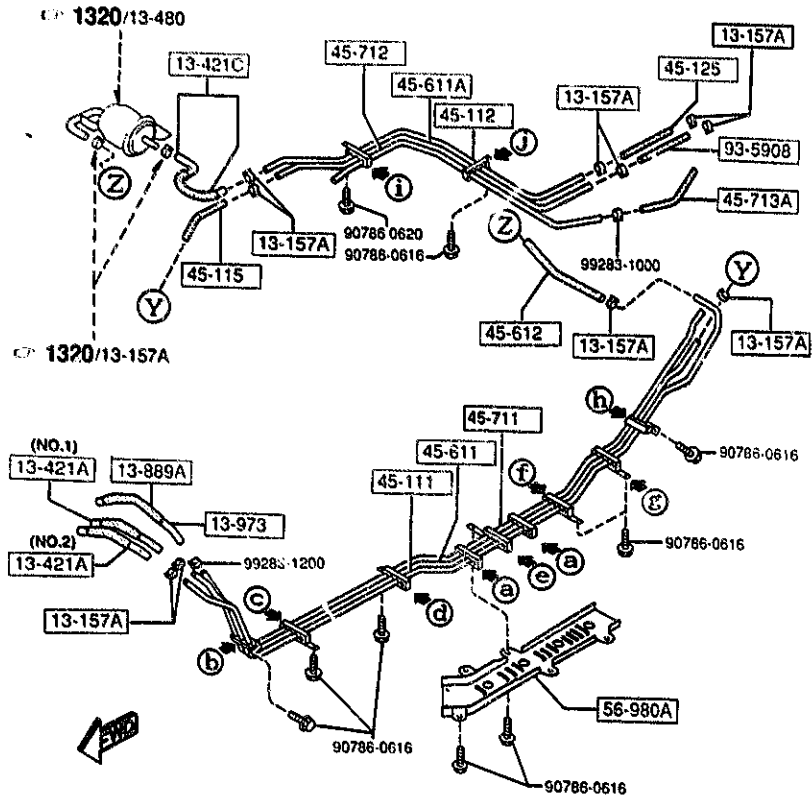
AUFA05

CAT. AUFA05-03

1995-03

4500 -2 * FUEL PIPINGS

4500 FUEL PIPINGS

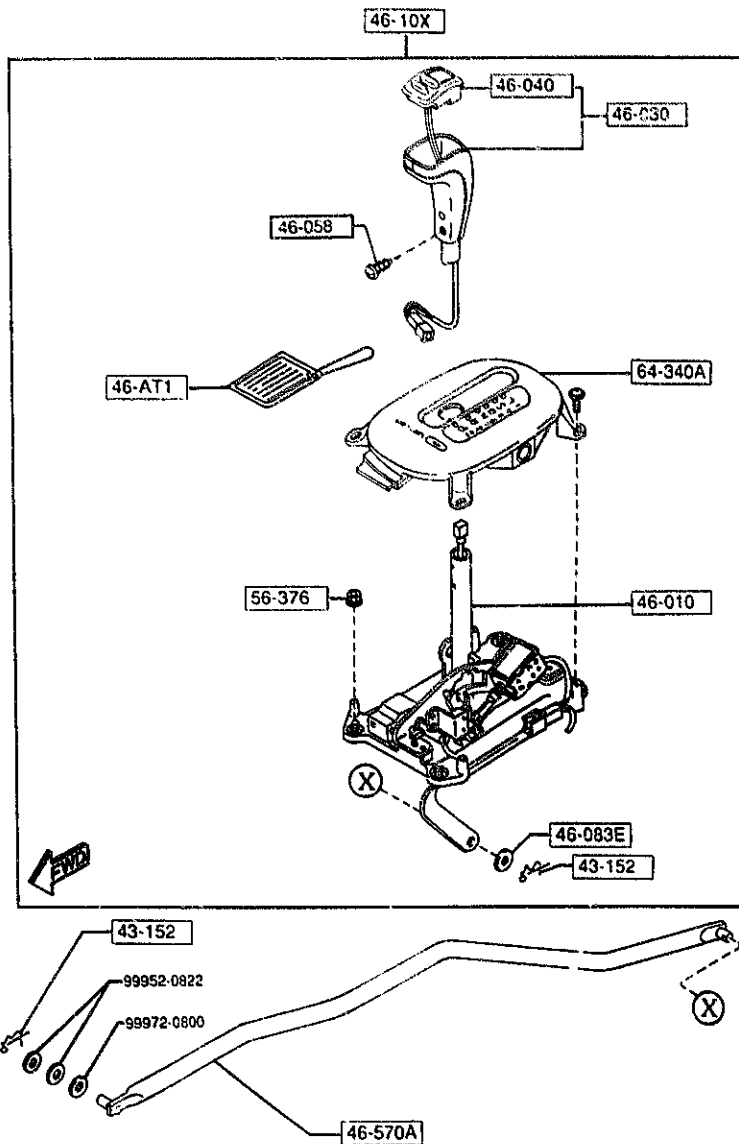


a	b	c	d	e	f
45-911C	45-910E	45-920A	45-930	45-940	45-91X
g	h	i	j		
45-960A	45-990	45-970	45-963		

PART NO.	QTY	MODEL/RESTRICTION	MODEL/RESTRICTION	MODEL/RESTRICTION	FROM-TO
45-712		PIPE, EVAPORATOR			
FD01-45-712A	1				
45-713A		HOSE, FUEL			
FD01-45-713	1				
45-91X		HOLDER 'E', PIPE-FUEL			
FD01-45-95X	1				
45-910E		HOLDER, PIPE			
FD01-45-910A	1				
45-911C		CLIP, PIPE			
FD01-45-911	9				
45-920A		HOLDER 'B', PIPE			
FD01-45-920	1				
45-930		HOLDER 'C', PIPE			
FD01-45-930	1				
45-940		HOLDER, PIPE			
FD01-45-940A	1				
45-960A		HOLDER 'F', PIPE			
FD01-45-960	1				
45-963		HOLDER 'J', PIPE			
FD01-45-980	1				
45-970		HOLDER 'G', PIPE			
FD01-45-970	1				
45-990		HOLDER 'K', PIPE-FUEL			
FD01-45-990	1				
56-980A		PROTECTOR, PIPE			
FD01-56-191A	1				
93-5908		HOSE			
99359-0815M	1				

4600 CHANGE CONTROL SYSTEM
(AT)

4600 -1 * CHANGE CONTROL SYSTEM
(AT)



PART NO.	QTY	MODEL/RESTRICTION	MODEL/RESTRICTION	MODEL/RESTRICTION	FROM-TO
43-152		PIN, SNAP			
FB02-43-152A	2				
46-AT1		TAG, CAUTION-CHANGE			
FD02-46-AT1	1				
46-010		LEVER, SELECT			
FD02-46-100C	1				
46-030		KNOB, CHANGE LEVER			
FD02-46-030	1				
46-040		SWITCH, OVER DRIVE CONTROL			
FC07-46-040A	1				
46-058		SCREW, CHANGE LEVER KNOB			
FD02-46-058	2				
46-083E		WASHER			
J001-46-051	1				
46-10X		CHANGE COMPLETE			
FD02-46-10XE	1				
46-570A		ROD, SELECTOR-REAR			
FD02-46-570A	1				
56-376		NUT, SELF LOCK			
B001-56-376	4				
64-340A		INDICATOR			
FD02-64-350D	1				

AUFA05

CAT. AUFA05-03

1995-03