

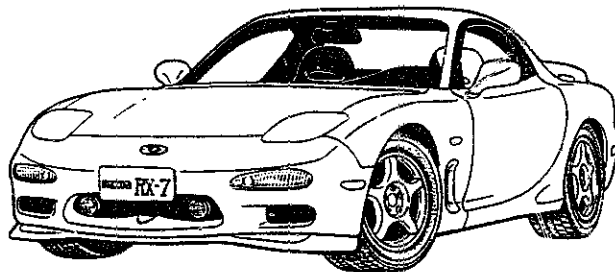
This file is available for free download at <http://www.iluvmyrx7.com>



www.iluvmyrx7.com

Parts Catalog

Mazda RX-7
U.S.A.
'94



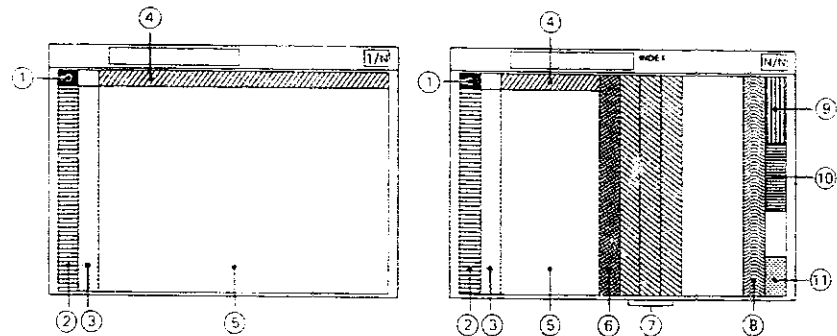
FD333 • 300001-310000

Apr. '95 (FINAL)
Catalog No. AU-FA05-03

Mazda
© 1995 Mazda Motor Corporation

LAYOUT OF CONTENTS / DISPOSITION TYPOGRAPHIQUE DE CONTENU / DISPOSICION DEL CONTENIDO / ANORDNUNG DES INHALTS


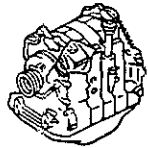
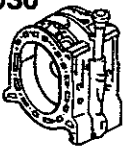

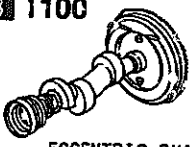

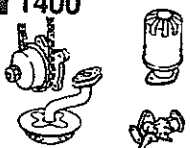
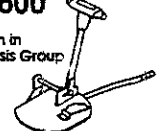
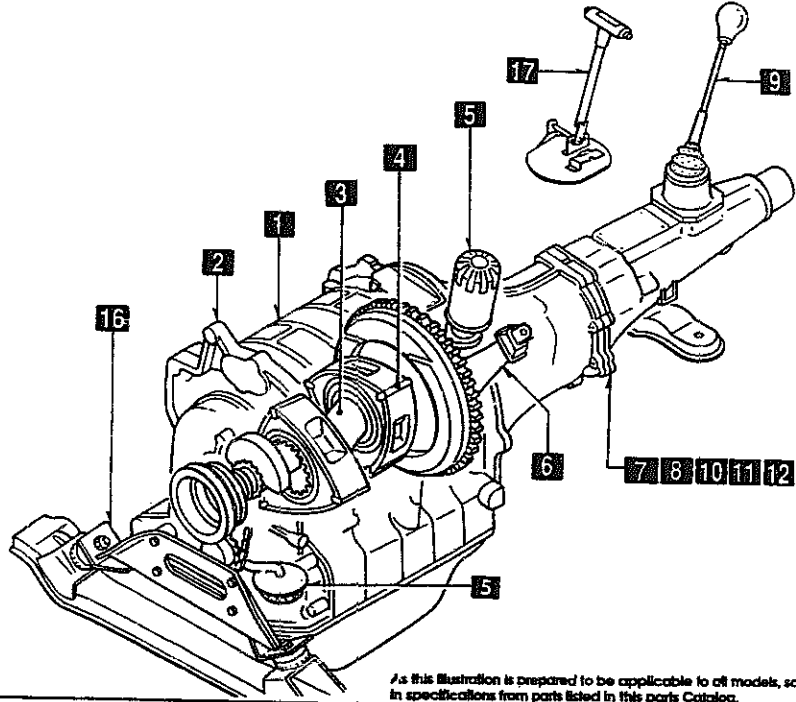
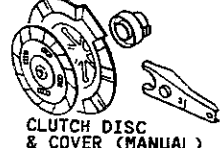
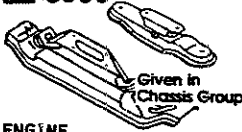
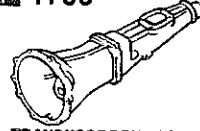
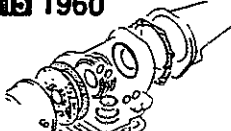
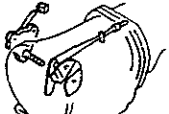
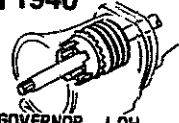



- The following is a typical example of the layout of contents on Mazda microfiche parts catalog
- Voici un exemple typique de la disposition typographique de contenu dans les microfiches de catalogue des pièces de Mazda.
- El siguiente es un ejemplo típico de la disposición del contenido en una microficha del catálogo de repuestos de Mazda.
- Folgendes ist ein typisches Beispiel der Inhaltsanordnung des Mazda-Mikrofiche Teilekatalogs.




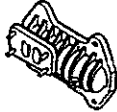

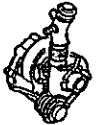

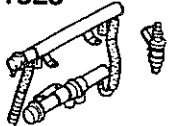
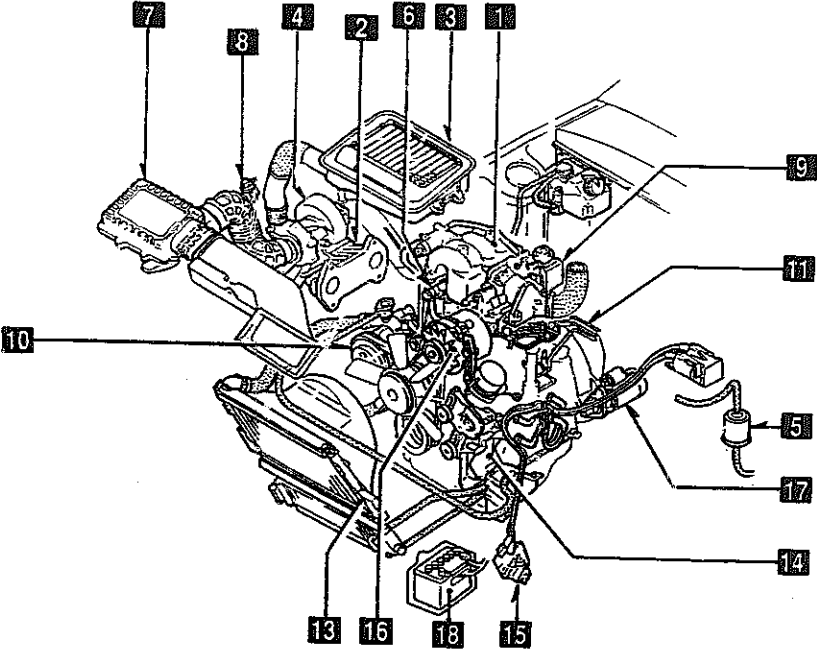
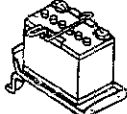
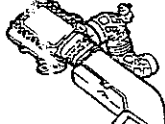
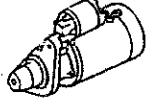

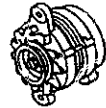


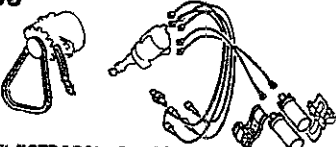
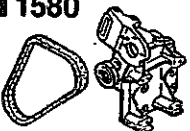
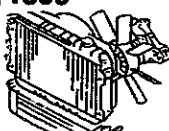

Remark : The items listed under ④ have been deleted from each fiche since Dec. '93

- | | | |
|--|---|---|
| ① • Layout of contents
• Disposition Typographique de Contenu
• Disposición del contenido
• Anordnung des Inhalts | ② • Pictorial Index
• Index par Schémas
• Índice Gráfico
• Illustrierter Index | ③ • Master Section No. Index
• Index des Numéros des Sections Totale
• Índice del Número de la Sección Maestra
• Hauptabschnittsnummer-Index |
| ④ • Section No. Index for the Column
• Index des Numéros des Sections pour les Colonnes
• N° de la Sección para el Índice
• Abschnittsnummer-Index für die Spalte | ⑤ • Illustration & Text
• Illustrations et Textes
• Ilustración y Texto
• Abbildung und Text | ⑥ • Part No. Index
• Index des Numéros des Pièces
• Índice del N° de Pieza
• Teile-Nr.-Index |
| ⑦ • Alphabetical Index
• Index Alphabétique
• Índice Alfabético
• Alphabetischer Index | ⑧ • Model Identification
• Identification des Modèles
• Identificación del Modelo
• Modell-Kennzeichnung | ⑨ • Vehicle Identification System
• Système d'Identification de Véhicule
• Sistema de Identificación de Vehículo
• Fahrzeug-Identifikations-system |

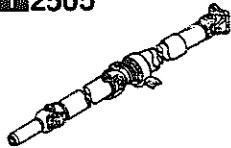
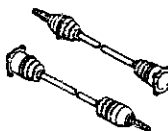


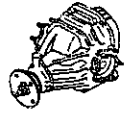
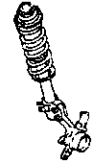
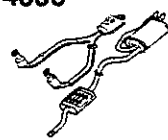
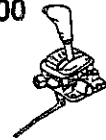
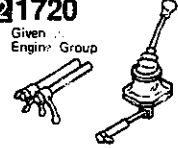
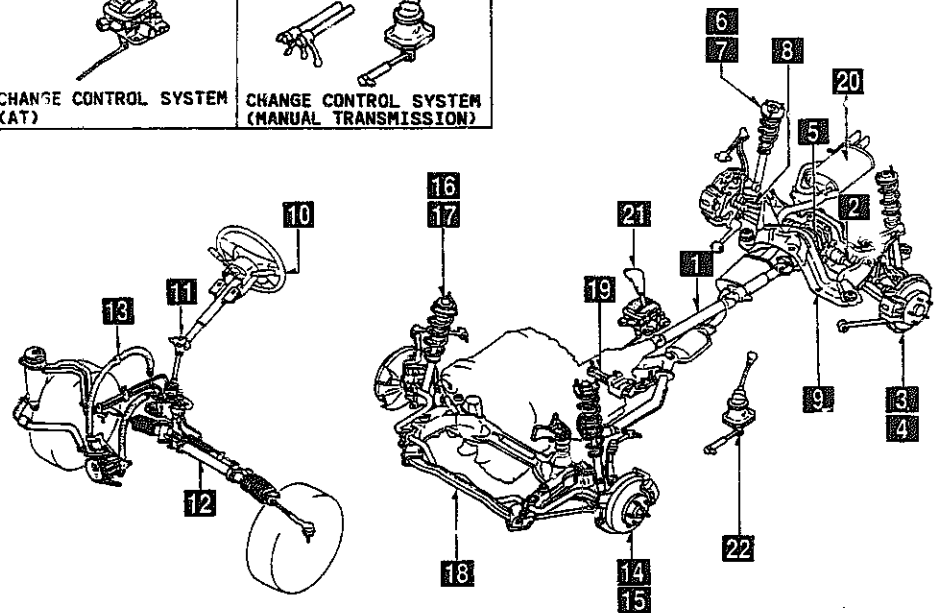

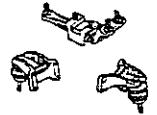
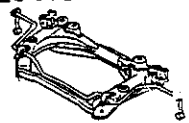
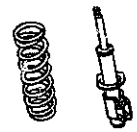

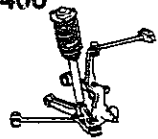



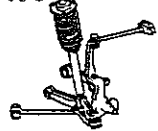
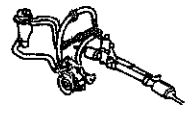
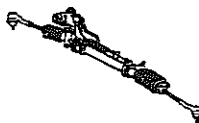


PICTORIAL INDEX

<p>1000</p>  <p style="text-align: center;">ROTOR HOUSINGS</p>  <p style="text-align: center;">ENGINE & GASKET SETS</p>	<p>1 1030</p>  <p style="text-align: center;">ROTOR HOUSINGS</p>	<p>2 1040</p>  <p style="text-align: center;">OIL PAN, FRONT & REAR HOUSING</p>	<p>3 1100</p>  <p style="text-align: center;">ECCENTRIC SHAFT & FLYWHEEL</p>	<p>4 1110</p>  <p style="text-align: center;">ROTOR S. RELATED PARTS</p>	<p>5 1400</p>  <p style="text-align: center;">OIL PUMP & FILTER</p>
<p>17 4600</p> <p style="font-size: small;">Given in Chassis Group</p>  <p style="text-align: center;">CHANGE CONTROL SYSTEM (AT)</p>	<p style="font-size: 2em; font-weight: bold; margin: 0;">ENGINE (1/2)</p> 				<p>6 1600</p>  <p style="text-align: center;">CLUTCH DISC & COVER (MANUAL)</p>
<p>16 3900</p> <p style="font-size: small;">Given in Chassis Group</p>  <p style="text-align: center;">ENGINE & T/MISSION MOUNTINGS</p>	<p style="font-size: x-small;">As this illustration is prepared to be applicable to all models, some parts are different in specifications from parts listed in this parts Catalog.</p>				<p>7 1700</p>  <p style="text-align: center;">TRANSMISSION CASE (MANUAL)</p>
<p>15 1960</p>  <p style="text-align: center;">GASKET & SEAL KIT (AUTOMATIC)</p>	<p>14 1950</p>  <p style="text-align: center;">MANUAL LINKAGE SYSTEM (AUTOMATIC)</p>	<p>13 1940</p>  <p style="text-align: center;">GOVERNOR, LOW & REVERSE PISTON (AUTOMATIC)</p>	<p>12 1930</p>  <p style="text-align: center;">CLUTCHES & PLANETARY GEARS (AUTOMATIC)</p>	<p>11 1920 & 1925</p>  <p style="text-align: center;">TRANSMISSION CASE & MAIN CONTROL SYSTEM (AUTOMATIC)</p>	<p>10 1910</p>  <p style="text-align: center;">TORQUE CONVERTER, OIL PUMP & PIPINGS (AUTOMATIC)</p>



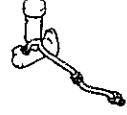


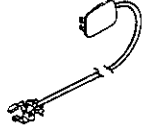
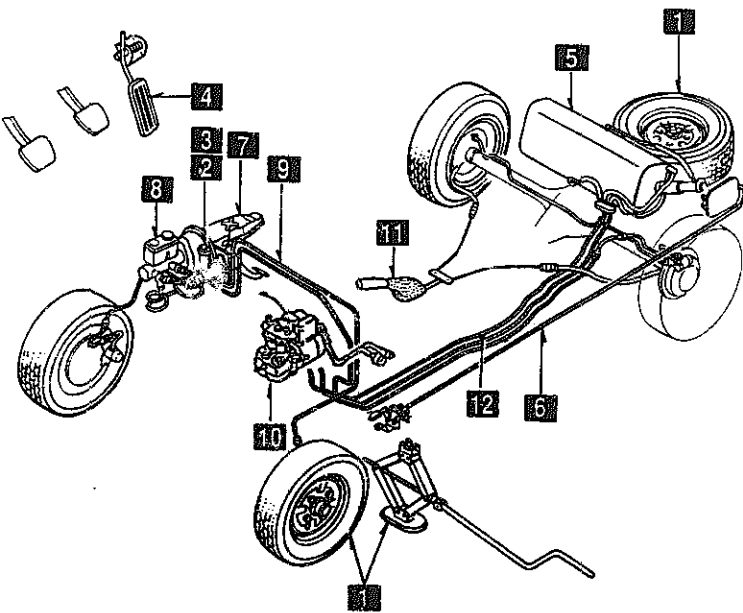
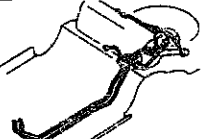

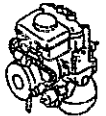

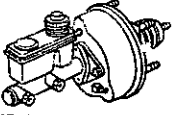
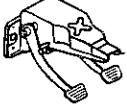
PICTORIAL INDEX

1 1300  INLET MANIFOLD	2 1310  EXHAUST MANIFOLD	3 1311  INTER COOLER	4 1312  TURBO CHARGER	5 1320  FUEL SYSTEM	6 1325  FUEL DISTRIBUTOR
<h3 style="margin: 0;">ENGINE (2/2)</h3> 					
18 1850  BATTERY					7 1330  AIR CLEANER
17 1840  STARTER					8 1313  TWIN TURBO AIR INTAKE SYSTEM
16 1830  ALTERNATOR					9 1364  THROTTLE BODY
				12	10 1371  AIR PUMP & AIR CONTROL VALVE
15 1800  ENGINE ELECTRICAL SYSTEM		14 1580  BRACKET, PULLEY & BELT		13 1500  COOLING SYSTEM	
As this illustration is prepared to be applicable to all models, some parts are different in specifications from parts listed in this parts Catalog.					
11 1380  EMISSION CONTROL SYSTEM					


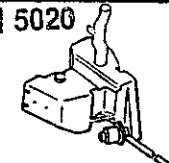

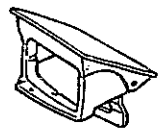
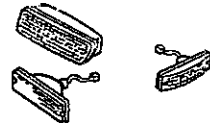
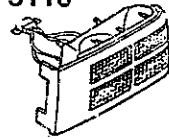
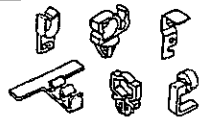
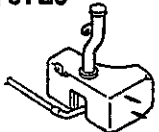
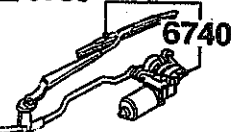
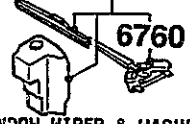
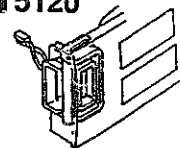

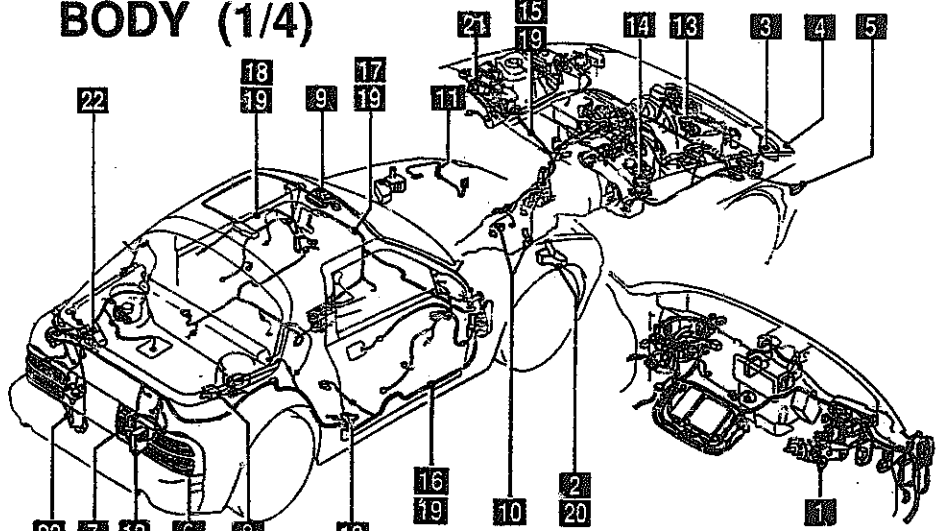
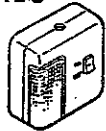
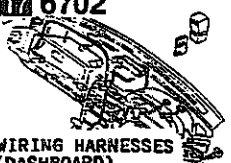




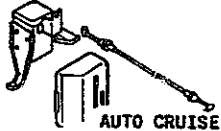
PICTORIAL INDEX

<p>1 2505</p>  <p>REAR PROPELLER SHAFT</p>	<p>2 2550</p>  <p>REAR DRIVE SHAFT</p>	<p>3 2600</p>  <p>REAR AXLE</p>	<p>4 2610</p>  <p>REAR BRAKE MECHANISMS</p>	<p>5 2710</p>  <p>REAR DIFFERENTIALS</p>	<p>6 2800</p>  <p>REAR SUSPENSION MECHANISMS</p>	
<p>20 4000</p>  <p>EXHAUST SYSTEM</p>	<p>21 4600</p>  <p>CHANGE CONTROL SYSTEM (AT)</p>	<p>22 1720</p> <p>Given Engin' Group</p>  <p>CHANGE CONTROL SYSTEM (MANUAL TRANSMISSION)</p>		<p>CHASSIS (1/2)</p> 		<p>7 2801</p>  <p>REAR SPRING & DAMPER</p>
<p>19 3900</p>  <p>ENGINE & T/MISSION MOUNTINGS</p>	<p>13 3410</p>  <p>CROSSMEMBER & STABILIZER</p>		<p>17 3401</p>  <p>FRONT SPRING & DAMPER</p>		<p>8 2810</p>  <p>REAR STABILIZER</p>	
<p>16 3400</p>  <p>FRONT SUSPENSION MECHANISMS</p>		<p>15 3310</p>  <p>FRONT BRAKE MECHANISMS</p>		<p>14 3300</p>  <p>FRONT AXLE</p>		<p>9 2830</p>  <p>REAR LOWER ARMS & SUB FRAME</p>
<p>18 3440</p>  <p>FRONT SUSPENSION MECHANISMS</p>		<p>13 3240</p>  <p>POWER STEERING SYSTEM (FRONT)</p>		<p>12 3220</p>  <p>STEERING GEAR</p>		<p>10 3200</p>  <p>STEERING WHEEL</p>
<p>11 3210</p>  <p>STEERING COLUMN & SHAFTS</p>		<p>As this illustration is prepared to be applicable to all models, some parts are different in specifications from parts listed in this parts Catalog.</p>				

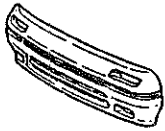






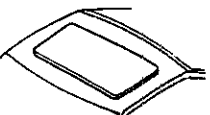

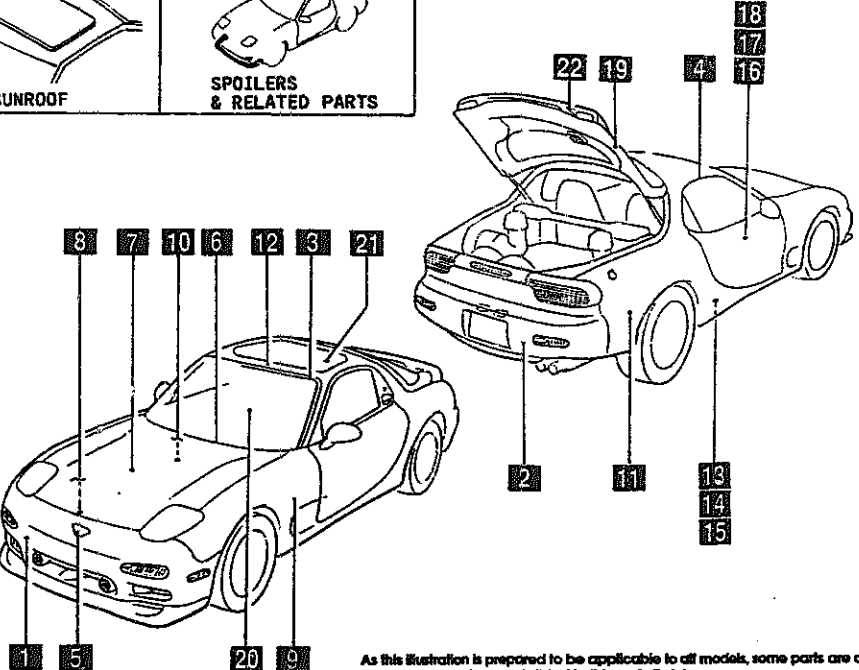


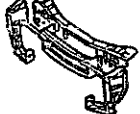

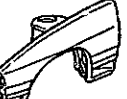

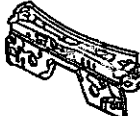

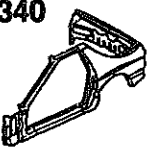
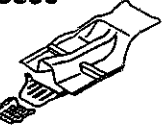



PICTORIAL INDEX

1 3700  TIRES & JACK	2 4140  CLUTCH RELEASE & MASTER CYLINDERS	3 4145  CLUTCH PIPINGS	4 4160  ACCELERATOR CONTROL SYSTEM	5 4200  FUEL TANK	6 4210  FUEL LID OPENER
<h3 style="margin: 0;">CHASSIS (2/2)</h3> 					
As this illustration is prepared to be applicable to all models, some parts are different in specifications from parts listed in this parts Catalog.					
				12 4500  FUEL PIPINGS	11 4400  PARKING BRAKE SYSTEM
				10 4370  ANTILOCK BRAKE SYSTEM	9 4360  BRAKE PIPINGS
				8 4340  BRAKE MASTER CYLINDER & POWER BRAKE	7 4300  CLUTCH & BRAKE PEDALS

PICTORIAL INDEX

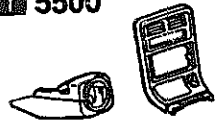
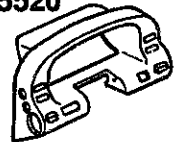
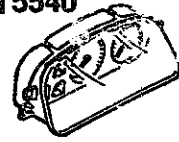
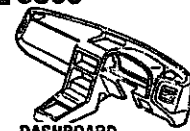
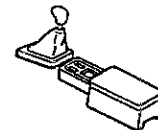




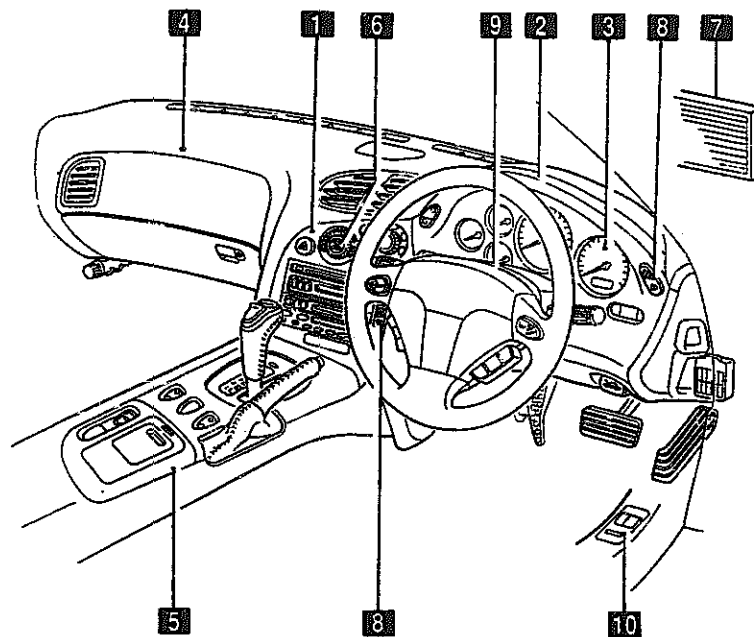
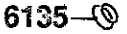
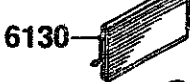
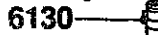


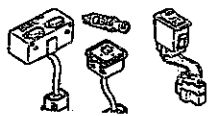
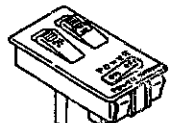
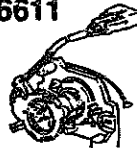
<p>1 0900</p>  <p>KEY SETS</p>	<p>2 5020</p>  <p>HEAD LAMP CLEANER</p>	<p>3 5100</p>  <p>HEAD LAMPS</p>	<p>4 5103</p>  <p>HEAD LAMP RETRACTORS</p>	<p>5 5105</p>  <p>FRONT COMBINATION LAMPS</p>	<p>6 5110</p>  <p>REAR COMBINATION LAMPS</p>
<p>19 6704</p>  <p>WIRING HARNESS CLAMPS</p>	<p>20 6720</p>  <p>WINDSHIELD WASHER</p>	<p>21 6730</p>  <p>WINDSHIELD WIPERS</p>	<p>22 6750</p>  <p>WINDOW WIPER & WASHER (REAR)</p>	<p>7 5120</p>  <p>LICENSE LAMPS</p>	
<p>13 6703</p>  <p>WIRING HARNESSSES (DOOR, FLOOR/CEILING)</p>	<p>BODY (1/4)</p>  <p style="font-size: small; text-align: center;">As this illustration is prepared to be applicable to all models, some parts are different in specifications from parts listed in this parts Catalog.</p>				<p>8 5125</p>  <p>INTERIOR LAMPS</p>
<p>17 6702</p>  <p>WIRING HARNESSSES (DASHBOARD)</p>					<p>9 5130</p>  <p>OVERHEAD CONSOLE</p>
<p>16 6700</p>  <p>WIRING HARNESSSES (FRONT & REAR)</p>					<p>10 6600</p>  <p>SWITCHES & RELAYS (ENGINE)</p>
<p>15 6701</p>  <p>WIRING HARNESSSES (ENGINE & T/MISSION)</p>					<p>14 6640</p>  <p>AUTO CRUISE CONTROL SYSTEM</p>

PICTORIAL INDEX

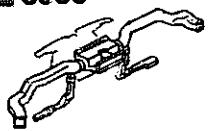



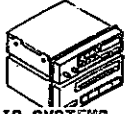
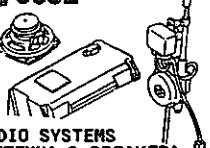
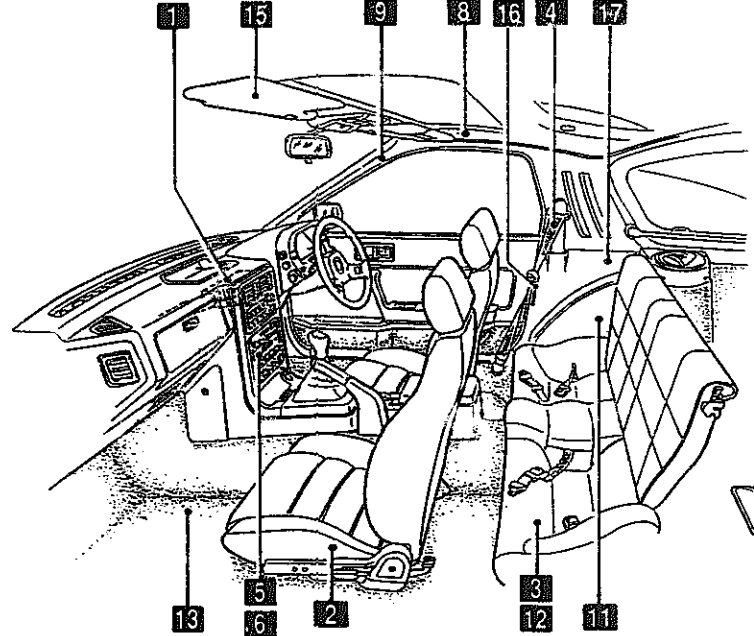
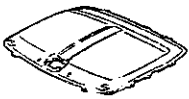

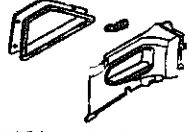


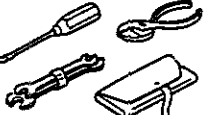
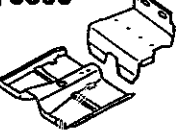

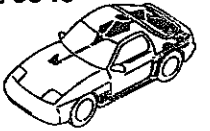
1 5000  FRONT BUMPER	2 5010  REAR BUMPER	3 5030  WINDOW MOULDINGS	4 5040  BODY MOULDINGS	5 5170  ORNAMENTS	6 5180  COWL & EXTRACTOR GRILLES
20 6300  WINDOW GLASSES	21 6330  SUNROOF	22 7800  SPOILERS & RELATED PARTS	BODY (2/4) 		7 5230  BONNET
19 6230  LIFT GATE MECHANISMS	(Main body diagram continues)			8 5310  FRONT PANELS	
13 5840  FRONT DOOR TRIMS & RELATED PARTS				9 5320  FENDER & WHEEL APRON PANELS	
17 5830  FRONT DOOR MECHANISMS				10 5330  DASH & COWL PANELS	
15 5800  FRONT DOORS				11 5340  SIDE PANELS	
15 5390  FLOOR ATTACHMENTS	14 5380  FLOOR ATTACHMENTS (HOLE COVERS)	13 5370  FLOOR PANELS	12 5360  ROOF PANELS	(Main body diagram continues)	

As this illustration is prepared to be applicable to all models, some parts are different in specifications from parts listed in this parts Catalog.

PICTORIAL INDEX

<p>1 5500</p>  <p>DASHBOARD EQUIPMENTS</p>	<p>2 5520</p>  <p>METER HOOD</p>	<p>3 5540</p>  <p>METER COMPONENTS</p>	<p>4 5560</p>  <p>DASHBOARD & RELATED PARTS</p>	<p>5 5570</p>  <p>CONSOLE</p>	<p>6</p>  <p>6120</p>  <p>6100</p>  <p>6110</p>  <p>6115</p> <p>HEATER</p>
<h3 style="margin: 0;">BODY (3/4)</h3>  <p style="text-align: center; font-size: small; margin-top: 10px;">As this illustration is prepared to be applicable to all models, some parts are different in specifications from parts listed in this parts Catalog.</p>					
<p>7</p>  <p>6135</p>  <p>6130</p>  <p>6130</p>  <p>6140</p>  <p>6150</p> <p>AIR CONDITIONER</p>					
<p>8 6610</p>  <p>DASHBOARD SWITCHES</p>					
<p>10 6615</p>  <p>POWER WINDOW SWITCHES</p>				<p>9 6611</p>  <p>COMBINATION SWITCH</p>	

PICTORIAL INDEX

1 5580  VENTILATOR	2 5700  FRONT SEATS	3 5750  REAR SEATS	4 5790  SEAT BELTS	5 6680  AUDIO SYSTEMS (RADIO & TAPE DECK)	6 6682  AUDIO SYSTEMS (ANTENNA & SPEAKER)
<h3 style="margin: 0;">BODY (4/4)</h3> 					
					7
					8 6800  CEILING TRIMS
					9 6820  PILLAR TRIMS
17 7250  QUARTER WINDOW & TRIMS					10
16 6930  CAUTION PLATES & LABELS	15 6900  VISORS, ASSIST HANDLES & MIRRORS	14 6870  SERVICE TOOLS	13 6860  FLOOR MATS & PADS	12 6845  STRAGE BOX	11 68-10  TRIMS & SCUFF PLATES

As this illustration is prepared to be applicable to all models, some parts are different in specifications from parts listed in this parts Catalog.

SECTION NAME INDEX (ENGINE)

LD.NO	SEC.NO	SECTION NAME	LD.NO	SEC.NO	SECTION NAME	LD.NO	SEC.NO	SECTION NAME
1-C03	1000	ENGINE & GASKET SETS	1-F11	1940	GOVERNOR, LOW & REVERSE PISTON (AUTOMATIC)			
1-D03	1030	ROTOR HOUSINGS	1-H11	1950	MANUAL LINKAGE SYSTEM (AUTOMATIC)			
1-G03	1040	OIL PAN, FRONT & REAR HOUSING	1-J11	1960	GASKET & SEAL KIT (AUTOMATIC)			
1-J03	1100	ECCENTRIC SHAFT & FLYWHEEL						
1-M03	1110	ROTORS & RELATED PARTS						
1-C04	1300	INLET MANIFOLD						
1-D04	1310	EXHAUST MANIFOLD						
1-E04	1311	INTER COOLER						
1-F04	1312	TURBO CHARGER						
1-H04	1313	TWIN TURBO AIR INTAKE SYSTEM						
1-J04	1320	FUEL SYSTEM						
1-K04	1325	FUEL DISTRIBUTOR						
1-N04	1330	AIR CLEANER						
1-C05	1364	THROTTLE BODY						
1-E05	1371	AIR PUMP & AIR CONTROL VALVE						
1-G05	1380	EMISSION CONTROL SYSTEM						
1-C06	1400	OIL PUMP & FILTER						
1-F06	1500	COOLING SYSTEM						
1-N06	1580	BRACKET, PULLEY & BELT						
1-C07	1600	CLUTCH DISC & COVER (MANUAL)						
1-E07	1700	TRANSMISSION CASE (MANUAL)						
1-I07	1710	TRANSMISSION GEARS (MANUAL)						
1-C08	1720	CHANGE CONTROL SYSTEM (MANUAL)						
1-E08	1800	ENGINE ELECTRICAL SYSTEM						
1-H08	1830	ALTERNATOR						
1-J08	1840	STARTER (MT)						
1-L08	1840 A	STARTER (AT)						
1-N08	1850	BATTERY						
1-C09	1910	TORQUE CONVERTER, OIL PUMP & PIPINGS (AUTOMATIC)						
1-N09	1920	TRANSMISSION CASE & MAIN CONTROL SYSTEM (AUTOMATIC)						
1-N09	1925	CONTROL VALVE (AUTOMATIC)						
1-J10	1930	CLUTCHES & PLANETARY GEARS (AUTOMATIC)						

SECTION NAME INDEX (CHASSIS)

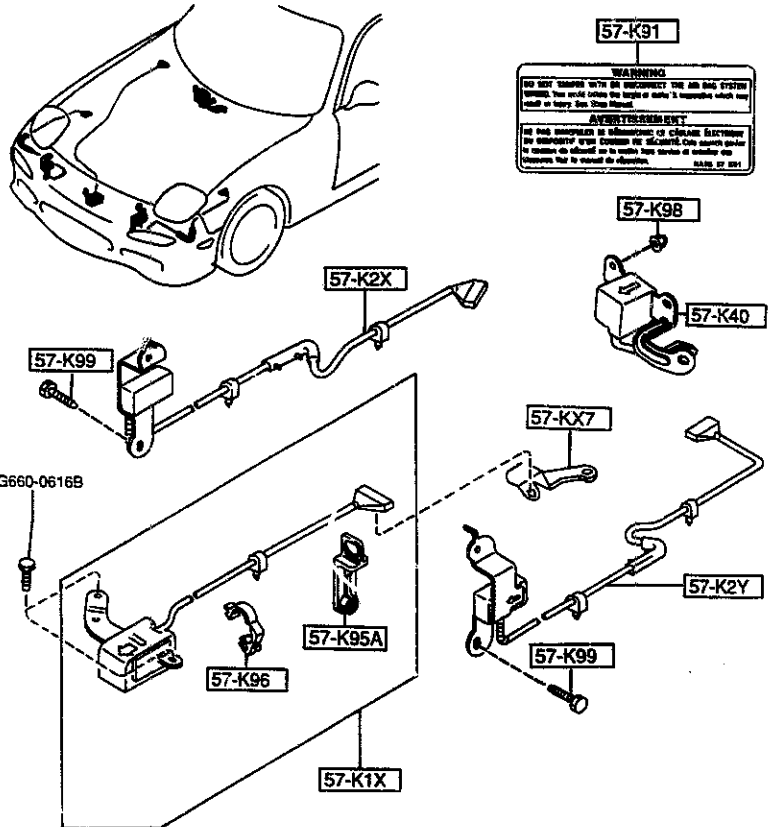
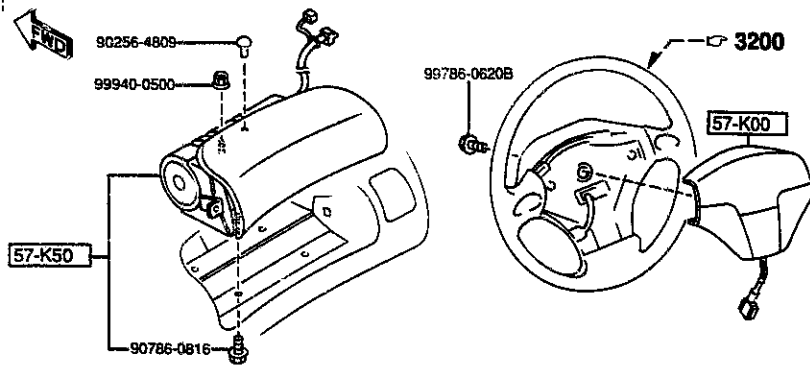
LO.NO	SEC.NO	SECTION NAME	LO.NO	SEC.NO	SECTION NAME	LO.NO	SEC.NO	SECTION NAME
2-C03	2505	REAR PROPELLER SHAFT	2-E08	4600	CHANGE CONTROL SYSTEM (AT)			
2-D03	2550	REAR DRIVE SHAFT						
2-E03	2600	REAR AXLE						
2-G03	2610	REAR BRAKE MECHANISMS						
2-J03	2710	REAR DIFFERENTIALS						
2-N03	2800	REAR SUSPENSION MECHANISMS						
2-C04	2801	REAR SPRING & DAMPER						
2-D04	2810	REAR STABILIZER						
2-E04	2830	REAR LOWER ARMS & SUB FRAME						
2-H04	3200	STEERING WHEEL						
2-I04	3210	STEERING COLUMN & SHAFTS						
2-J04	3220	STEERING GEAR						
2-L04	3240	POWER STEERING SYSTEM						
2-M04	3300	FRONT AXLE						
2-N04	3310	FRONT BRAKE MECHANISMS						
2-C05	3400	FRONT SUSPENSION MECHANISMS						
2-E05	3401	FRONT SPRING & DAMPER						
2-F05	3410	CROSSMEMBER & STABILIZER						
2-G05	3700	TIRES & JACK						
2-C06	3900	ENGINE & T/MISSION MOUNTINGS						
2-D06	4000	EXHAUST SYSTEM						
2-G06	4140	CLUTCH RELEASE & MASTER CYLINDERS (MANUAL TRANSMISSION)						
2-I06	4145	CLUTCH PIPINGS (MANUAL TRANSMISSION)						
2-J06	4160	ACCELERATOR CONTROL SYSTEM						
2-K06	4200	FUEL TANK						
2-C07	4210	FUEL LID OPENER						
2-D07	4300	CLUTCH & BRAKE PEDALS (MANUAL TRANSMISSION)						
2-F07	4300A	BRAKE PEDALS (AUTOMATIC TRANSMISSION)						
2-G07	4340	BRAKE MASTER CYLINDER & POWER BRAKE						
2-I07	4360	BRAKE PIPINGS						
2-L07	4370	ANTILOCK BRAKE SYSTEM						
2-N07	4400	PARKING BRAKE SYSTEM						
2-C08	4500	FUEL PIPINGS						

SECTION NAME INDEX (BODY)

LO.NO	SEC.NO	SECTION NAME	LO.NO	SEC.NO	SECTION NAME	LO.NO	SEC.NO	SECTION NAME
2-C10	0900	KEY SETS	3-C03	5795	AIR BAG	3-E08	6702	WIRING HARNESES(DASHBOARD)
2-E10	5000	FRONT BUMPER	3-D03	5800	FRONT DOORS	3-G08	6703	WIRING HARNESES(DOOR,FLOOR/CEILING)
2-H10	5010	REAR BUMPER	3-G03	5830	FRONT DOOR MECHANISMS	3-H08	6704	WIRING HARNESS CLAMPS
2-J10	5020	HEAD LAMP CLEANER (SUN ROOF)	3-J03	5840	FRONT DOOR TRIMS & RELATED PARTS	3-I08	6720	WINDSHIELD WASHER
2-L10	5030	WINDOW MOULDINGS	3-C04	6100	HEATER	3-K08	6730	WINDSHIELD WIPERS
2-M10	5040	BODY MOULDINGS	3-D04	6110	HEATER UNIT COMPONENTS	3-M08	6740	WIPER MOTOR COMPONENTS(FRONT)
2-N10	5100	HEAD LAMPS	3-E04	6115	HEATER CONTROLS COMPONENTS	3-N08	6750	WINDOW WIPER & WASHER (REAR)
2-D11	5103	HEAD LAMP RETRACTORS	3-F04	6120	HEATER BLOWER COMPONENTS	3-E09	6760	WINDOW WIPER MOTOR COMPONENTS (REAR)
2-F11	5105	FRONT COMBINATION LAMPS	3-G04	6130	AIR CONDITIONER (DENSO MAKE)	3-F09	6800	CEILING TRIMS
2-K11	5110	REAR COMBINATION LAMPS	3-J04	6130A	AIR CONDITIONER (MANA MAKE)	3-G09	6820	PILLAR TRIMS
2-D12	5120	LICENSE LAMPS	3-M04	6135	O RING SET,PIPING	3-H09	6840	TRIMS & SCUFF PLATES
2-E12	5125	INTERIOR LAMPS	3-N04	6140	COMPRESSOR COMPONENTS (AIR CONDITIONER) (DENSO MAKE)	3-L09	6845	STRAGE BOX
2-F12	5130	OVERHEAD CONSOLE	3-D05	6140A	COMPRESSOR COMPONENTS (AIR CONDITIONER) (MANA MAKE)	3-M09	6860	FLOOR MATS & PADS
2-G12	5170	ORNAMENTS	3-F05	6150	COOLING UNIT (AIR CONDITIONER) (DENSO MAKE)	3-D10	6870	SERVICE TOOLS
2-H12	5180	COWL & EXTRACTOR GRILLES	3-G05	6150A	COOLING UNIT (AIR CONDITIONER) (MANA MAKE)	3-E10	6900	VISORS,ASSIST HANDLES & MIRRORS
2-J12	5230	BONNET	3-I05	6230	LIFT GATE MECHANISMS	3-H10	6930	CAUTION PLATES & LABELS
2-L12	5310	FRONT PANELS	3-L05	6300	WINDOW GLASSES	3-J10	7250	QUARTER WINDOW & TRIMS
2-M12	5320	FENDER & WHEEL APRON PANELS	3-M05	6330	SUNROOF	3-L10	7800	SPOILERS & RELATED PARTS
2-D13	5330	DASH & COWL PANELS	3-F06	6600	SWITCHES & RELAYS (ENGINE)			
2-E13	5340	SIDE PANELS	3-J06	6610	DASHBOARD SWITCHES			
2-I13	5360	ROOF PANELS (W/O SUN ROOF)	3-K06	6611	COMBINATION SWITCH			
2-J13	5360 A	ROOF PANELS (SUN ROOF)	3-L06	6615	POWER WINDOW SWITCHES			
2-K13	5370	FLOOR PANELS	3-M06	6630	RELAYS & UNIT (BODY)			
2-M13	5380	FLOOR ATTACHMENTS (HOLE COVERS)	3-C07	6635	DOOR SWITCH & HORNS			
2-C14	5390	FLOOR ATTACHMENTS	3-D07	6640	AUTO CRUISE CONTROL SYSTEM			
2-C15	5500	DASHBOARD EQUIPMENTS	3-E07	6680	AUDIO SYSTEMS (RADIO & TAPE DECK)			
2-D15	5520	METER HOOD	3-G07	6682	AUDIO SYSTEMS (ANTENNA & SPEAKER)			
2-E15	5540	METER COMPONENTS	3-K07	6700	WIRING HARNESES(FRONT & REAR)			
2-G15	5560	DASHBOARD & RELATED PARTS	3-C08	6701	WIRING HARNESES(ENGINE & T/MISSION)			
2-K15	5570	CONSOLE						
2-N15	5580	VENTILATOR						
2-C16	5700	FRONT SEATS						
2-M16	5790	SEAT BELTS						

5795 -1 * AIR BAG

5795 AIR BAG



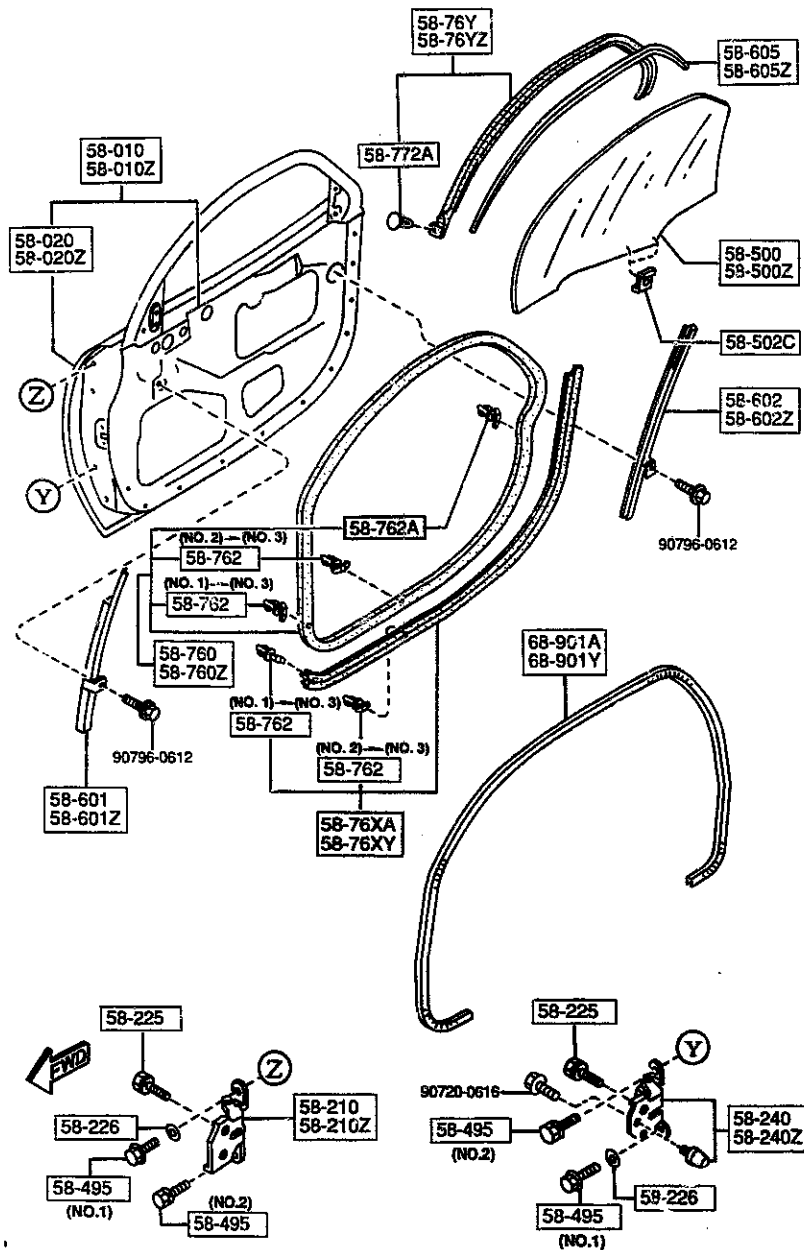
PART NO.	QTY	MODEL/RESTRICTION	MODEL/RESTRICTION	MODEL/RESTRICTION	FROM-TO
57-KX7		BRACKET,AIR BAG			
FDD1-57-KX7	1				
57-K00		MODULE,AIR BAG			
FD15-57-K00	1				
57-K1X		SENSOR,AIR BAG			
FD01-57-K1XD	1				
57-K2X		SENSOR(R),AIR BAG			
FD15-57-K2X	1				
57-K2Y		SENSOR(L),AIR BAG			
FD01-57-K2YC	1				
57-K40		SENSOR,AIR BAG-INNER			
FD01-57-K40A	1				
57-K50		MODULE,AIR BAG PASSENGER			
FD15-57-K7X	1				
57-K91		LABEL 'A',CAUTION-A/B			
KA7B-57-K91	1				
57-K95A		CLIP,AIR BAG			
FD01-57-K95	1				
57-K96		CLIP			
FD01-57-K96	1				
57-K98		NUT			
FC66-57-K98	2				
57-K99		SCREW,TAPPING			
FC66-57-K99	6				

AUFA05

CAT. AUFA05-03

1995-03

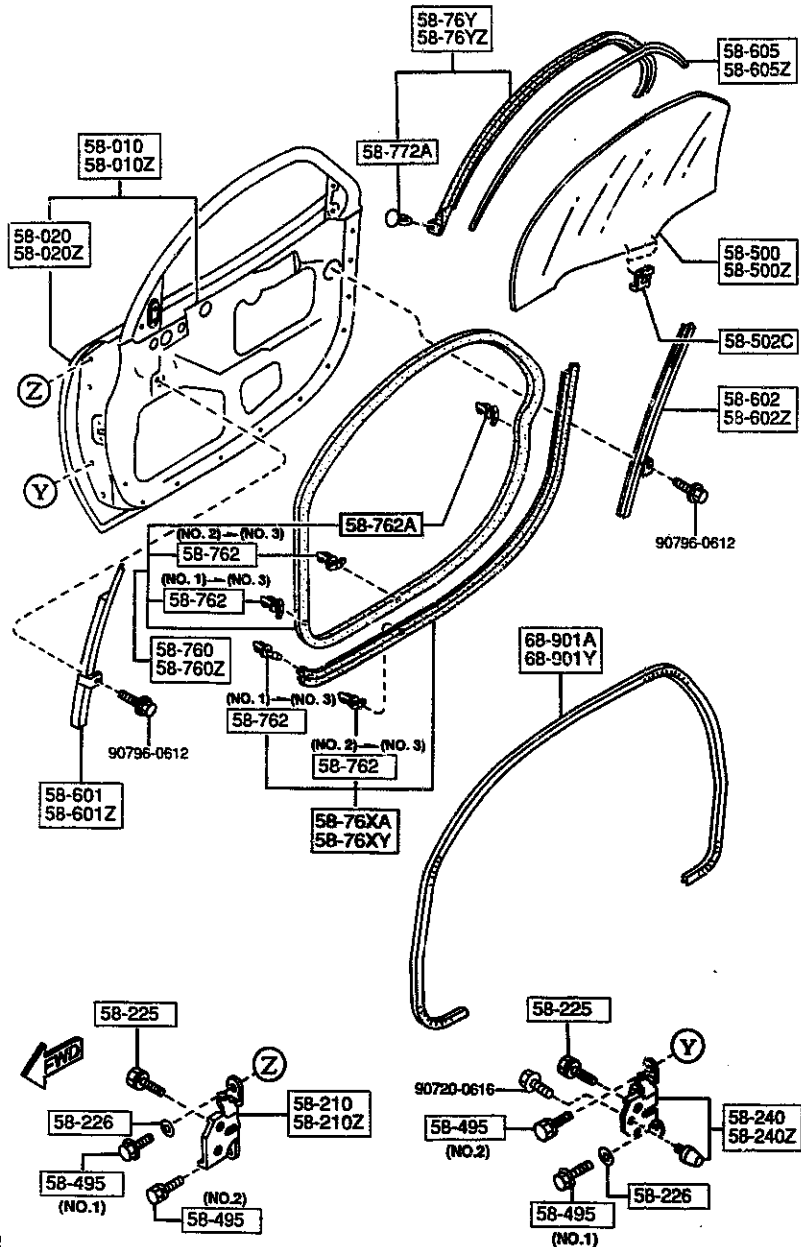
5800 FRONT DOORS



PART NO.	QTY	MODEL/RESTRICTION	MODEL/RESTRICTION	MODEL/RESTRICTION	FRONT
58-010		BODY(R), FRONT DOOR			-3902
FD15-58-020B A (FD15-58-020C)	1				3902-
FD15-58-020C	1				
58-010Z		BODY(L), FRONT DOOR			-3902
FD15-59-020B A (FD15-59-020C)	1				3902-
FD15-59-020C	1				
58-020		PANEL(R), OUT.-FRT DOOR			
FD01-58-030B	1				
58-020Z		PANEL(L), OUT.-FRT DOOR			
FD01-59-030B	1				
58-210		HINGE(R), DOOR-UPPER			
FD01-58-210A	1				
58-210Z		HINGE(L), DOOR-UPPER			
FD01-59-210A	1				
58-225		BOLT, SETTING-HINGE LOWER			
BA55-58-225	8				
58-226		WASHER, SETTING			
6J21-58-226	4				
58-240		HINGE(R), DOOR-LOWER			
FD01-58-240B	1				
58-240Z		HINGE(L), DOOR-LOWER			
FD01-59-240B	1				
58-495		BOLT, SET			
BA54-58-225	4 (ILLUST. NO.1)				
5085-58-225	4 (ILLUST. NO.2)				
58-500		GLASS(R), DOOR-FRT			-3B12
FD15-58-511 AN(FD15-58-511A)	1				
3902 FD333*-300440 3B12 FD333*-301294					

5800 FRONT DOORS

5800 -2 FRONT DOORS



PART NO.	QTY	MODEL/RESTRICTION	MODEL/RESTRICTION	MODEL/RESTRICTION	FROM-TO
CONT'D					
FD15-58-511A	1				3B12-
58-500Z		GLASS(L), DOOR-FRT			-3B12
FD15-59-511 AN(FD15-59-511A)	1				3B12-
FD15-59-511A	1				
58-502C		GROMMET, SCREW			
S084-58-502	4				
58-601		GUIDE'A'(R), GLASS			
FD01-58-601B	1				
58-601Z		GUIDE'A'(L), GLASS			
FD01-59-601B	1				
58-602		GUIDE'B'(R), GLASS			
FD01-58-603A	1				
58-602Z		GUIDE'B'(L), GLASS			
FD01-59-603A	1				
58-605		CHANNEL(R), GLASS			
FD01-58-605E	1				
58-605Z		CHANNEL(L), GLASS			
FD01-59-605E	1				
58-76XA		WEATHERSTRIP(R), DOOR-LDW.			
*FD01-58-76XA	1				
58-76XY		WEATHERSTRIP(L), DOOR-LDW.			
FD01-59-76XA	1				
58-76Y		WTHSTP(R), GLASS-F. D OOR			-3A20
FD01-58-76YC AN(FD01-58-76YD)	1				3A20-3C13
FD01-58-76YD AN(FD01-58-76YE)	1				3C13-4310
FD01-58-76YE AN(FD01-58-76YF)	1				4310-
*FD01-58-76YF	1				
3A20	FD333*-301093				
3B12	FD333*-301294				
3C13	FD333*-301585				
4310	FD333*-302928				

AUFA05

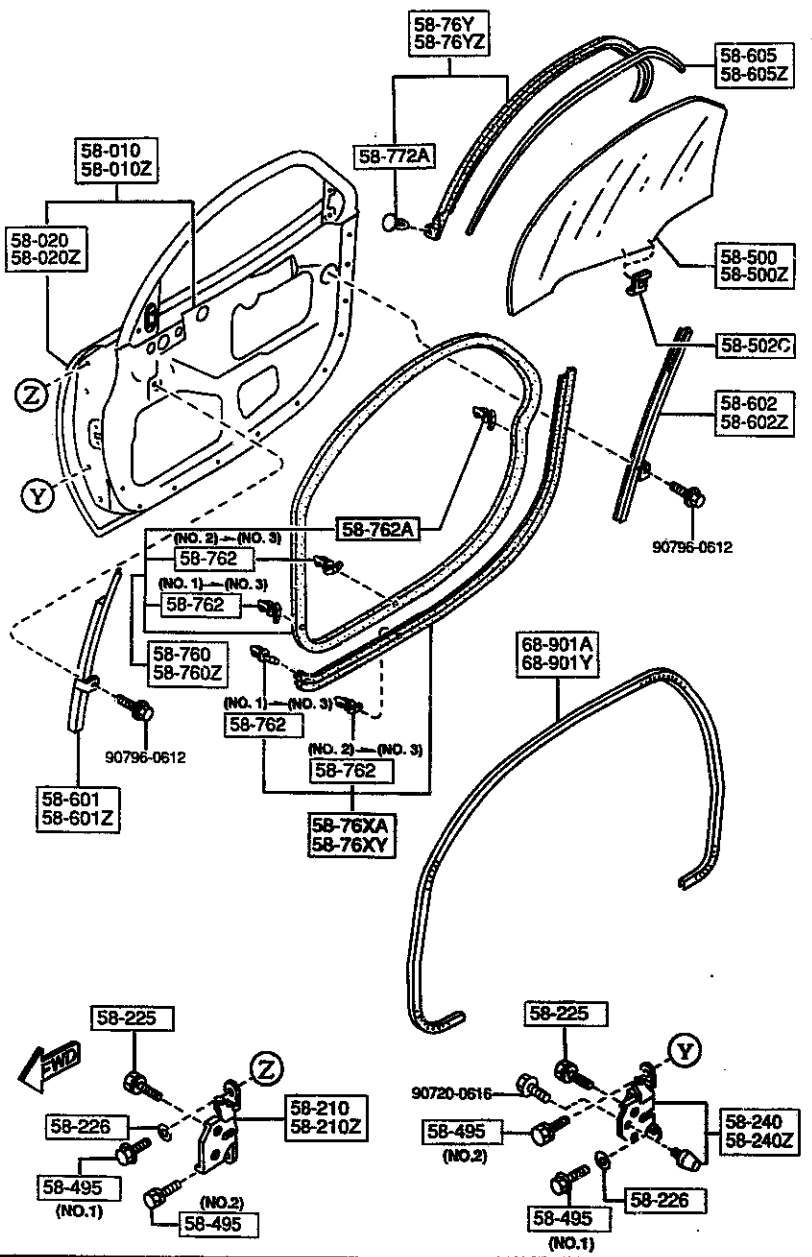
-256-

CAT. AUFA05-03

1995-03

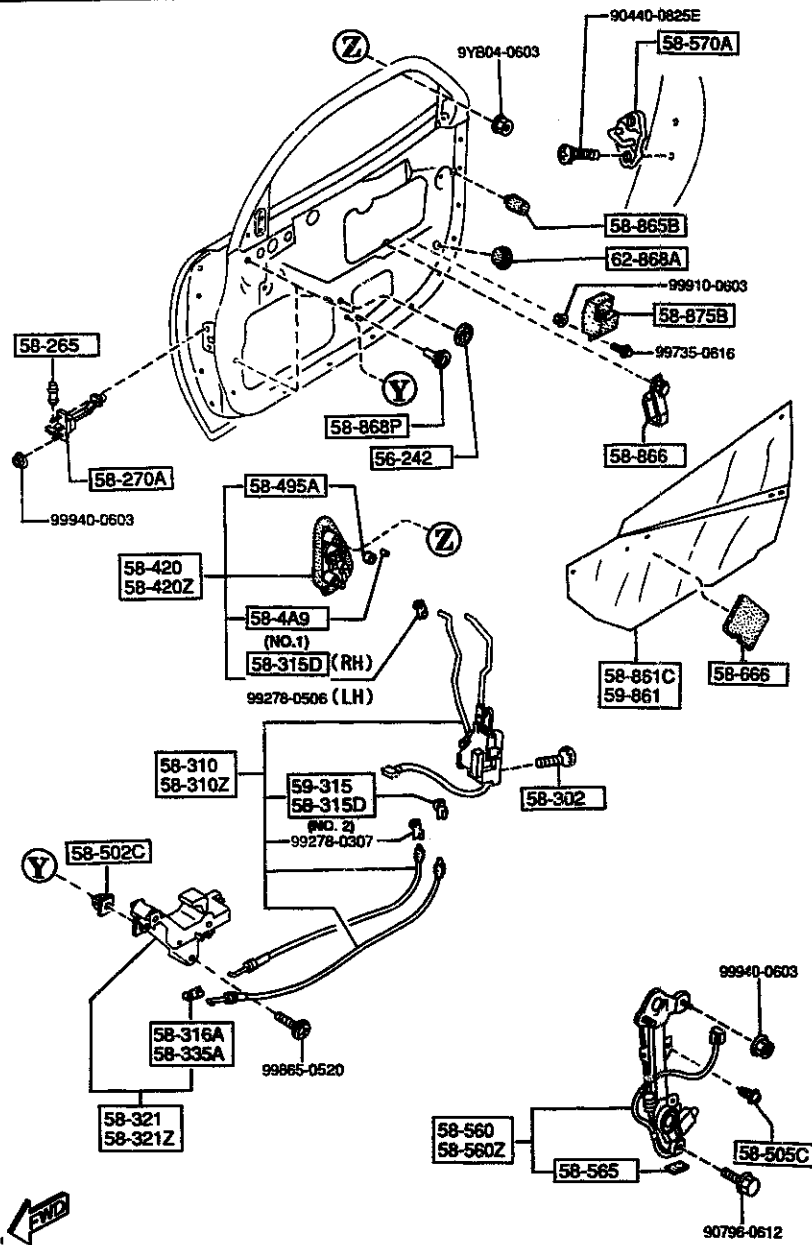
5800 FRONT DOORS

5800 -3 * FRONT DOORS



PART NO.	QTY	MODEL/RESTRICTION	MODEL/RESTRICTION	MODEL/RESTRICTION	FROM-TO
58-76YZ	1	WTHSTP(L), GLASS-F. DOOR			-3A20
FD01-59-76YC AN(FD01-59-76YD)	1				3A20-3C13
FD01-59-76YD AN(FD01-59-76YE)	1				3C13-4310
FD01-59-76YE AN(FD01-59-76YF)	1				4310-
*FD01-59-76YF	1				
58-760	1	WEATHERSTRIP(R), DOOR			
FD01-58-760D	1				
58-760Z	1	WEATHERSTRIP(L), DOOR			
FD01-59-760D	1				
58-762	14	FASTENER			-3A01
GA2A-58-762	40	(ILLUST. NO.1)			-3A01
603L-58-762	52	(ILLUST. NO.2)			3A01-
BC1D-58-762	52	(ILLUST. NO.3)			
58-762A	4	FASTENER			
FD01-58-762	4				
58-772A	2	FASTENER			
1011-58-772	2				
68-901A	1	WELT(R), SEAMING			
FD01-68-911A	1				
02	INT-	FE5 FE6 FE7 BLACK			
68-901Y	1	WELT(L), SEAMING			
FD01-68-912A	1				
02	INT-	FE5 FE6 FE7 BLACK			
3A01 FD333*-300888 3A20 FD333*-301093 3C13 FD333*-301585 4310 FD333*-302928					

5830 FRONT DOOR MECHANISMS



PART NO.	QTY	MODEL/RESTRICTION	MODEL/RESTRICTION	MODEL/RESTRICTION	FROM-TO
56-242		PLUG, DRAIN			
0118-56-242B	2				
58-265		PIN, CHECKER			
BC1D-58-265	2				
58-270A		CHECKER, DOOR			
FD01-58-270B	2				
58-302		SCREW, TAPPING-DOOR LOCK			
GA5R-58-302A	6				
58-310		LOCK(R), DOOR			
FD15-58-310	1				
58-310Z		LOCK(L), DOOR			
FD15-59-310	1				
58-315D		CLIP (R)			
FD01-58-315	1 (ILLUST. NO.1)				
6050-58-315	1 (ILLUST. NO.2) (FOR LEFT)				
58-316A		CLIP			
B001-59-335	2 (FOR RIGHT)				
58-321		HANDLE(R), INNER			
FD01-58-330C	1				
00	INT-	FE5 FE6 FE7 BLACK			
58-321Z		HANDLE(L), INNER			
FD01-59-330C	1				
00	INT-	FE5 FE6 FE7 BLACK			
58-335A		CLIP			
*FR01-58-335	2				
58-4A9		PLUG, OUTER HANDLE			
H030-58-4A9	1				

AUFA05

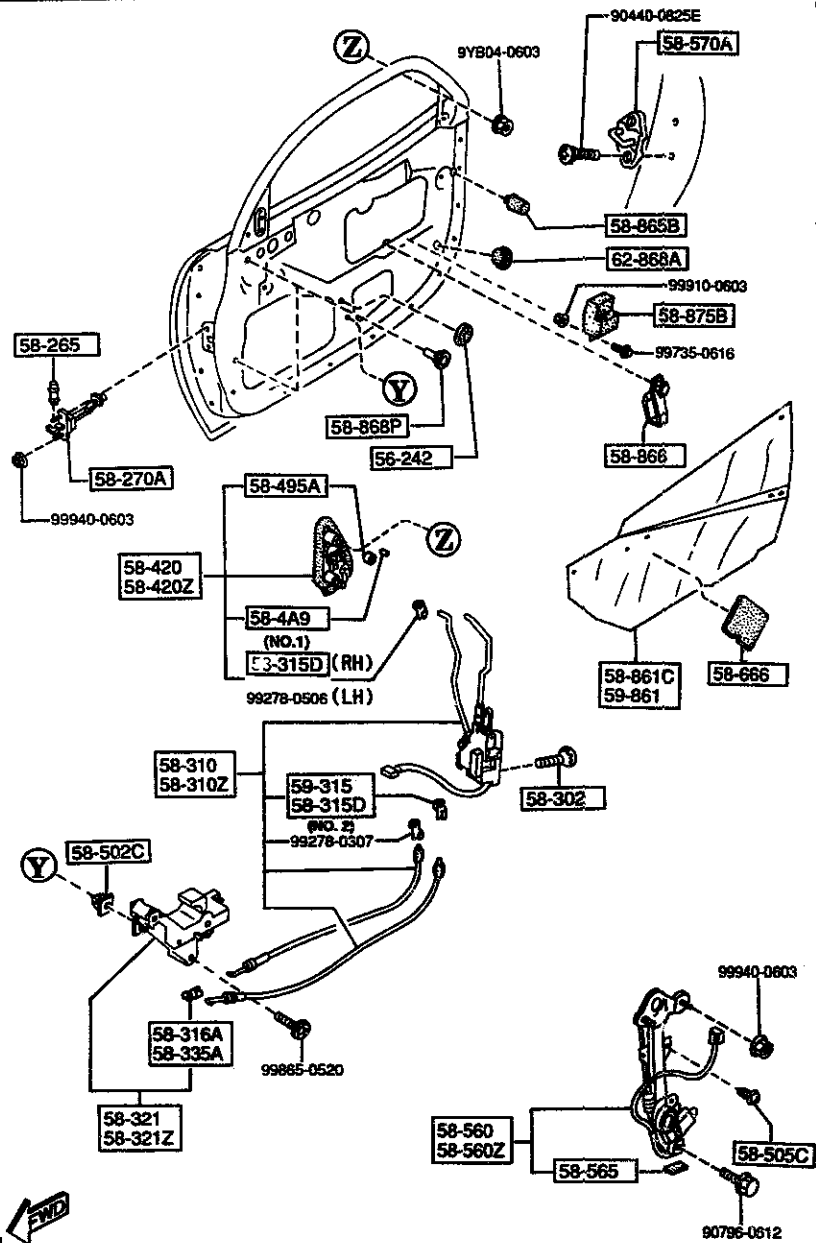
-239-

CAT. AUFA05-03

1995-03

5830 -2 FRONT DOOR MECHANISMS

5830 FRONT DOOR MECHANISMS

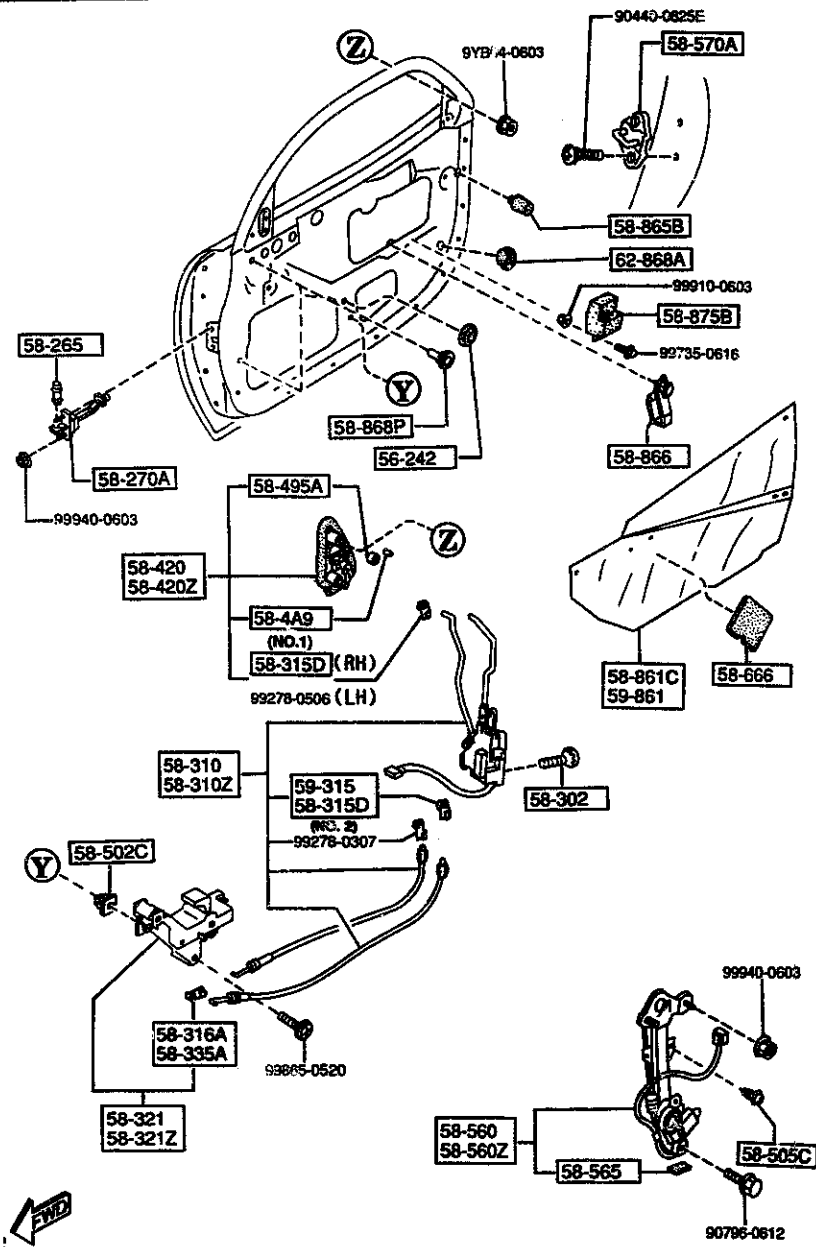


PART NO.	QTY	MODEL/RESTRICTION	MODEL/RESTRICTION	MODEL/RESTRICTION	FROM TO
58-420		HANDLE(R), OUT.			
FD15-58-410B A (FD15-58-410C)	1				-4110
FD15-58-410C	1				4110-
58-420Z		HANDLE(L), OUT.			
FD15-59-410B A (FD15-59-410C)	1				-4110
FD15-59-410C	1				4110-
58-495A		RETAINER, LOCK CYL.			
J001-58-495	2				
58-502C		GROMMET, SCREW			
FD01-58-332	10				
58-505C		SCREW, WINDOW REGULAT OR			
B092-58-505	4				
58-560		REGULATOR(R), WINDOW			
FD15-58-560B	1				
58-560Z		REGULATOR(L), WINDOW			
FD15-59-560B	1				
58-565		RUBBER, STOPPER			
6A7C-58-565	2				
58-570A		STRIKER			
FD01-58-361	2				
58-666		SHEET			
B092-58-862	5				
58-861C		SCREEN(R), FRONT DOOR			
FD15-58-861	1				
58-865B		CUSHION, RUBBER			
8067-58-873	2				
58-866		CLIP			
4110 FB333*-301814					

← FWD
AUFA05

5830 -3 * FRONT DOOR MECHANISMS

5830 FRONT DOOR MECHANISMS



PART NO.	QTY	MODEL/RESTRICTION	MODEL/RESTRICTION	MODEL/RESTRICTION	FROM-TO
CONT'D 8038-58-866	4				
58-868P		COVER, HOLE-DOOR BODY			
FD01-58-868	4				
58-875B		PAD			
FR15-58-875B A (FD15-58-875D)	2				-3B02
FD15-58-875D A (FD15-58-875E)	2				3B02-4107
FD15-58-875E	2				4107-
59-315		CLIP			
6030-59-315	1	(FOR RIGHT)			
59-861		SCREEN(L), FRONT DOOR			
FD15-59-861	1				
62-868A		COVER, HOLE-LIFT GATE			
8499-62-868	2				
3B02 FD333*-301137					
4107 FD333*-301775					

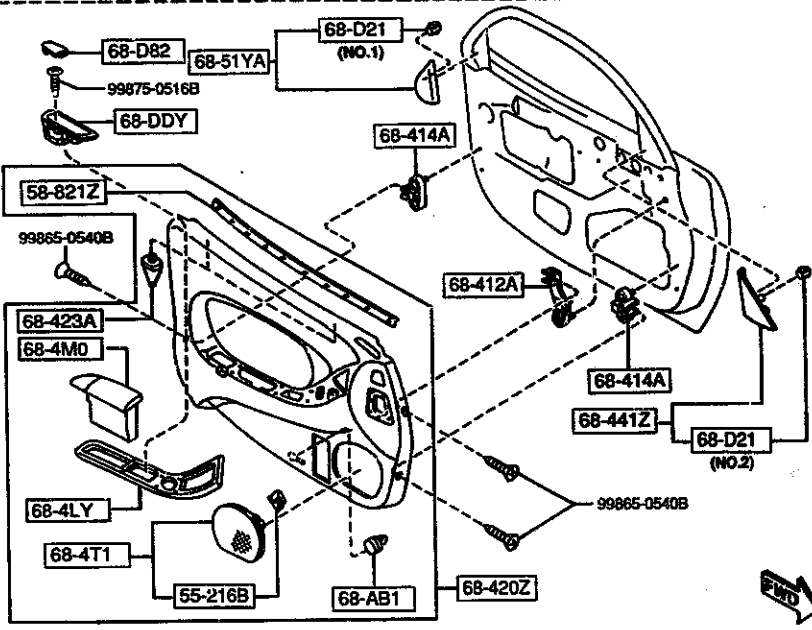
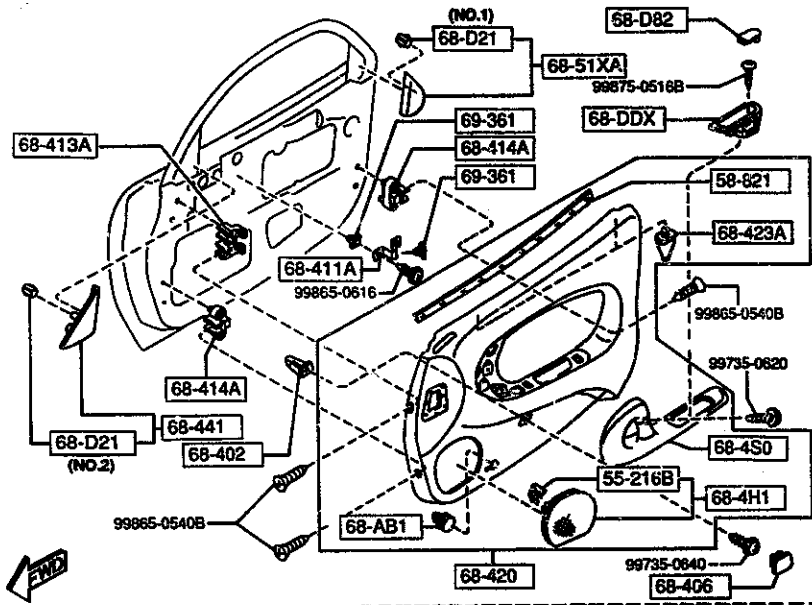
AUFA05

-258-

CAT. AUFA05-03

1995-03

5840 FRONT DOOR TRIMS & RELATED PARTS



PART NO.	QTY	MODEL/RESTRICTION	MODEL/RESTRICTION	MODEL/RESTRICTION	FROM-TO
55-216B		SPRING,CENTER PANEL			
B092-55-257	4				
58-821		WEATHERSTRIP(R),INN.			
FD01-58-821	1				
58-821Z		WEATHERSTRIP(L),INN.			
FD01-59-821	1				
48-AB1		FASTENER			
G350-48-AB1	6				
68-DDX		PANEL(R),RECESS			
FD01-68-DDXE	1				
00	INT-	FE5 FE6 FE7 BLACK			
68-DDY		PANEL(L),RECESS			
FD01-68-DDYE	1				
00	INT-	FE5 FE6 FE7 BLACK			
68-D21		CLIP,TRIM			
FD01-68-D21	4	(ILLUST. NO.1)			
LA10-68-D21	2	(ILLUST. NO.2)			
68-D82		CAP,ASSIST-DOOR TRIM			
FD01-68-D82A	2				
00	INT-	FE5 FE6 FE7 BLACK			
68-4H1		GRILLE(R),SPEAKER			
FD01-68-4H0A A (FD01-68-4H0B)	1				-3901
02	INT-	FE5 FE6 FE7 BLACK			
FD01-68-4H0B	1				3901-
02	INT-	FE5 FE6 FE7 BLACK			
68-4LY		PANEL(L),SWITCH			
FD15-68-4LY	1				
00	INT-	FE6 FE7 FE5 BLACK			
3901 FD333*-300438					

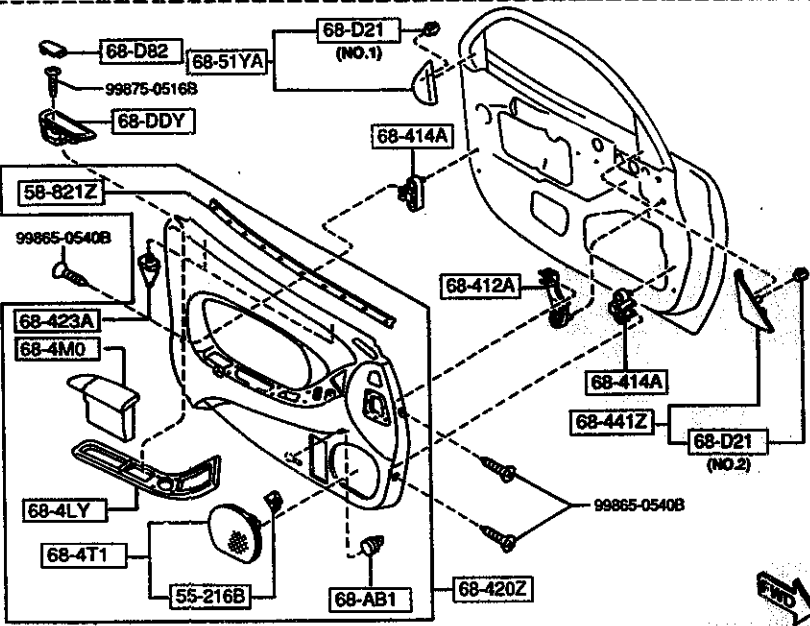
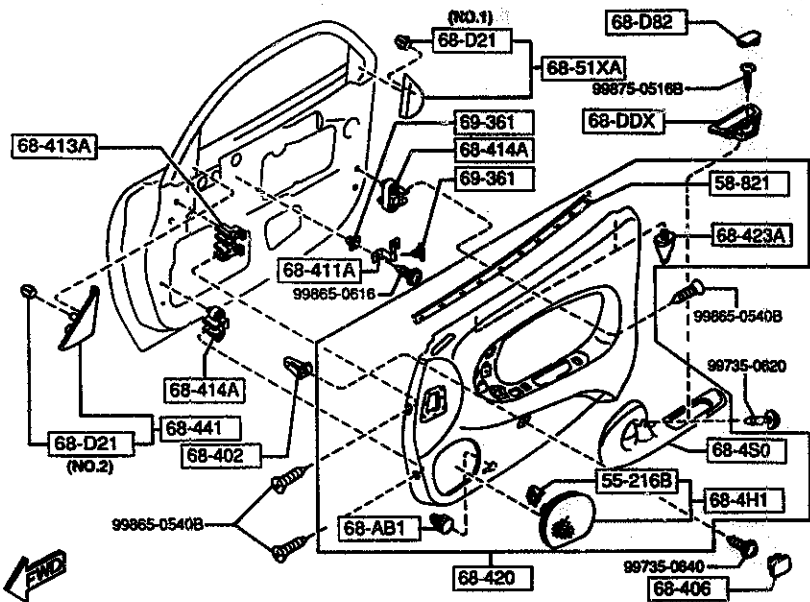
AUFA05

CAT. AUFA05-03

1995-03

5840 -2 FRONT DOOR TRIMS & RELATED PARTS

5840 FRONT DOOR TRIMS & RELATED PARTS



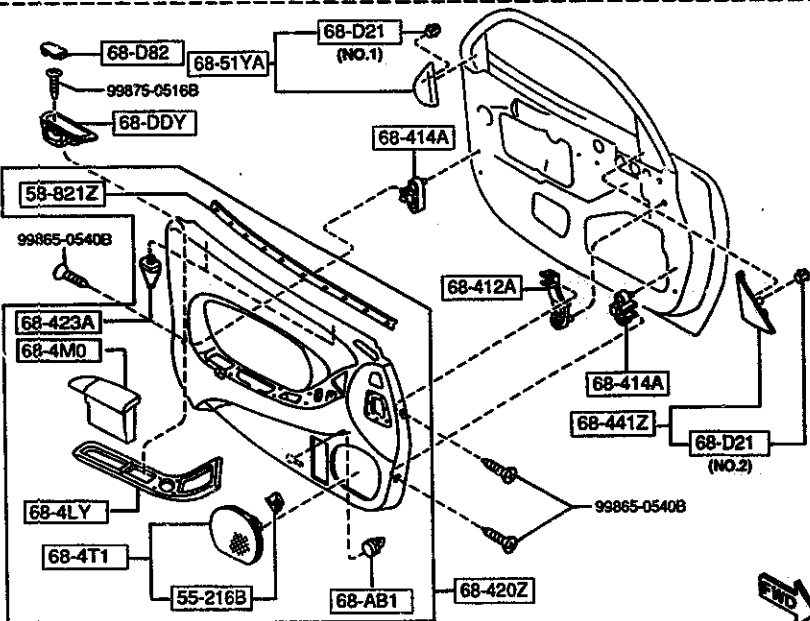
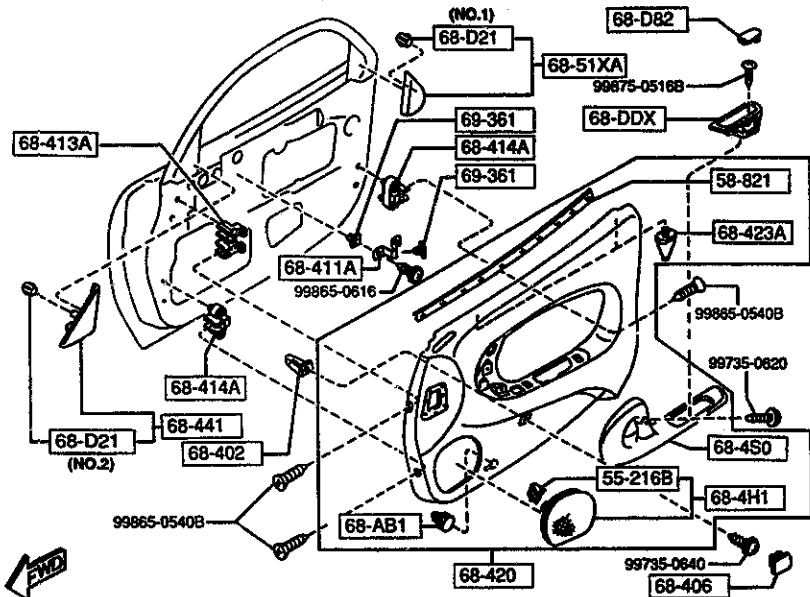
PART NO.	QTY	MODEL/RESTRICTION	MODEL/RESTRICTION	MODEL/RESTRICTION	FROM-TO
68-4M0		LID(L), ARM REST-TRIM			
FD15-68-4M0	1				-3901
00	INT-	FE5 FE6 FE7 BLACK			3901-3C03
FD15-68-4M0A	1				3C03-
00	INT-	FE5 FE6 FE7 BLACK			
FD15-68-4M0B	1				
00	INT-	FE5 FE6 FE7 BLACK			
68-4S0		GRIP, FRT ASSIST			
FD15-69-44X	1				
00	INT-	FE5 FE6 FE7 BLACK			
68-4T1		GRILLE(L), SPEAKER			
FD01-68-4M0 A (FD01-68-4M0B)	1				-3901
02	INT-	FE5 FE6 FE7 BLACK			3901-
FD01-68-4M0B	1				
02	INT-	FE5 FE6 FE7 BLACK			
68-402		GROMMET, SCREW			
H380-68-402	2				
68-406		CAP, DOOR TRIM			
FD01-68-406	1				
02	INT-	FE5 FE6 FE7 BLACK			
68-411A		BRACKET, TRIM			
FD01-68-411	1				
68-412A		BRACKET, TRIM			
FD01-68-412A	1				
68-413A		BRACKET, TRIM			
FD01-68-413A A (FD01-68-413B)	1				-3C10
FD01-68-413B	1				3C10-
68-414A		BRACKET, TRIM			
FD01-68-414A	4				
3901 FD333*-300438 3C03 FD333*-301492 3C10 FD333*-301568					

AUFA05

CAT. AUFA05-03

1995-03

5840 FRONT DOOR TRIMS & RELATED PARTS



5840 -3 FRONT DOOR TRIMS & RELATED PARTS

PART NO.	QTY	MODEL/RESTRICTION	MODEL/RESTRICTION	MODEL/RESTRICTION	FROM-TO
68-420		TRIM(R), DOOR			
FD15-68-420E	1				-3901
A (FD15-68-420G)					
02	INT-	FE5 FE6 FE7 BLACK			
FD15-68-420G	1				3901-4207
02	INT-	FE5 FE6 FE7 BLACK			
FD15-68-420H	1				4207-4404
02	INT-	FE5 FE6 FE7 BLACK			
*FD15-68-420J	1				4404-
* 02	INT-	FE5 FE6 FE7 BLACK			
68-420Z		TRIM(L), DOOR			
FD15-68-450E	1				-3901
A (FD15-68-450G)					
02	INT-	FE5 FE6 FE7 BLACK			
FD15-68-450G	1				3901-3C03
02	INT-	FE5 FE6 FE7 BLACK			
FD15-68-450H	1				3C03-4404
02	INT-	FE5 FE6 FE7 BLACK			
*FD15-68-450J	1				4404-
* 02	INT-	FE5 FE6 FE7 BLACK			
68-423A		PIN, LOCATOR			
FD01-68-423	4				-4404
AN(FD01-68-423A)					
*FD01-68-423A	4				4404-
68-441		GARNISH(R), DOOR			
FD01-68-DJXC	1				
68-441Z		GARNISH(L), DOOR			
FD01-68-DJYC	1				
68-51XA		GARNISH(R), SAIL-INN.			
FD01-68-51XD	1				
68-51YA		GARNISH(L), SAIL-INN.			
FD01-68-51YD	1				
3901 FD333*-300438 3C03 FD333*-301492 4207 FD333*-302357 4404 FD333*-303323					

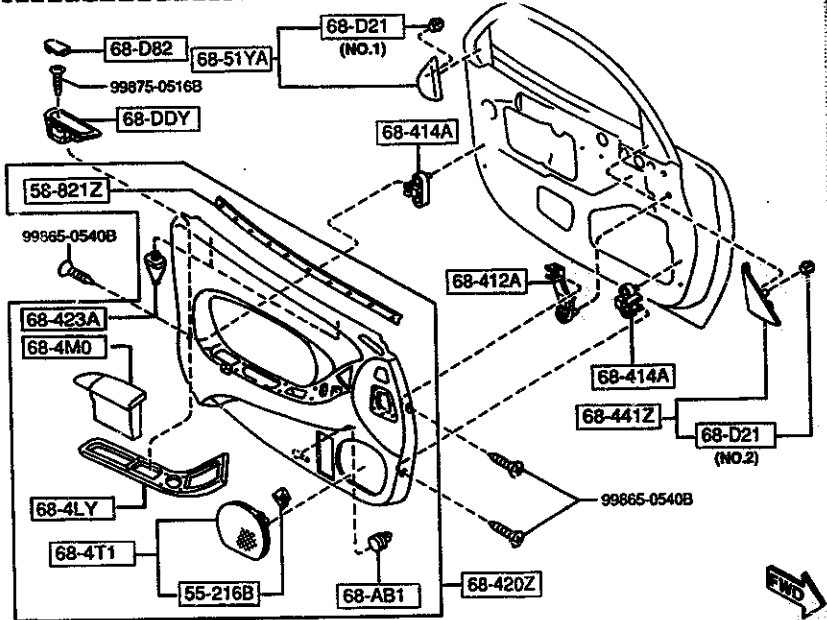
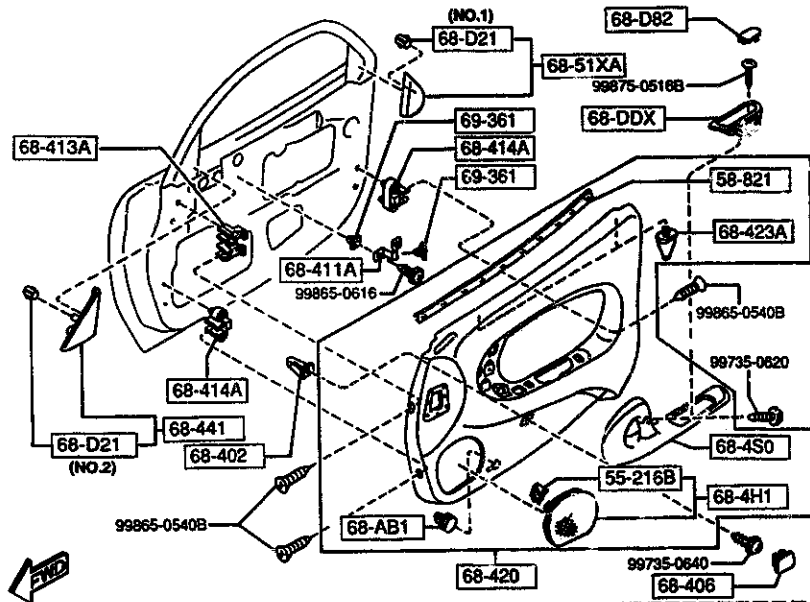
AUFA05

CAT. AUFA05-03

1995-03

5840 -4 * FRONT DOOR TRIMS & RELATED PARTS

5840 FRONT DOOR TRIMS & RELATED PARTS



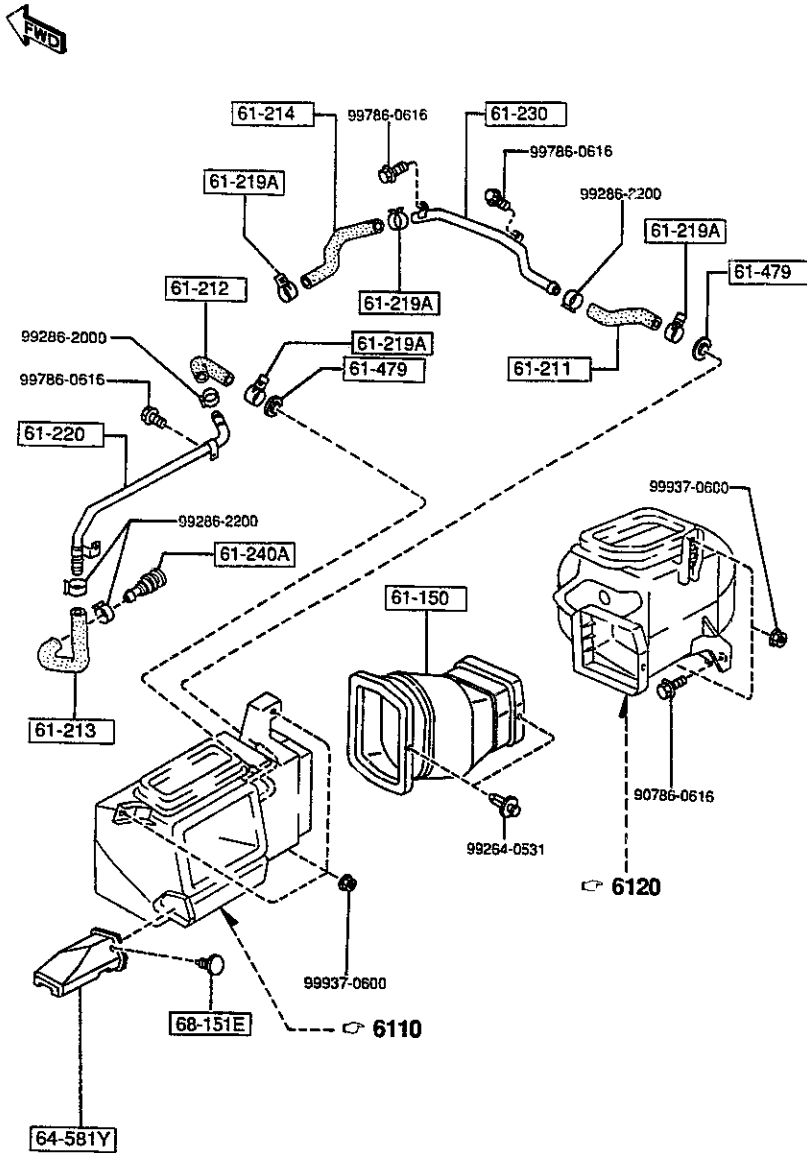
PART NO.	QTY	MODEL/RESTRICTION	MODEL/RESTRICTION	MODEL/RESTRICTION	FROM-TO
69-361	3	GROMMET, SCREW			
8316-69-361					

AUFA05

CAT. AUFA05-03

1995-03

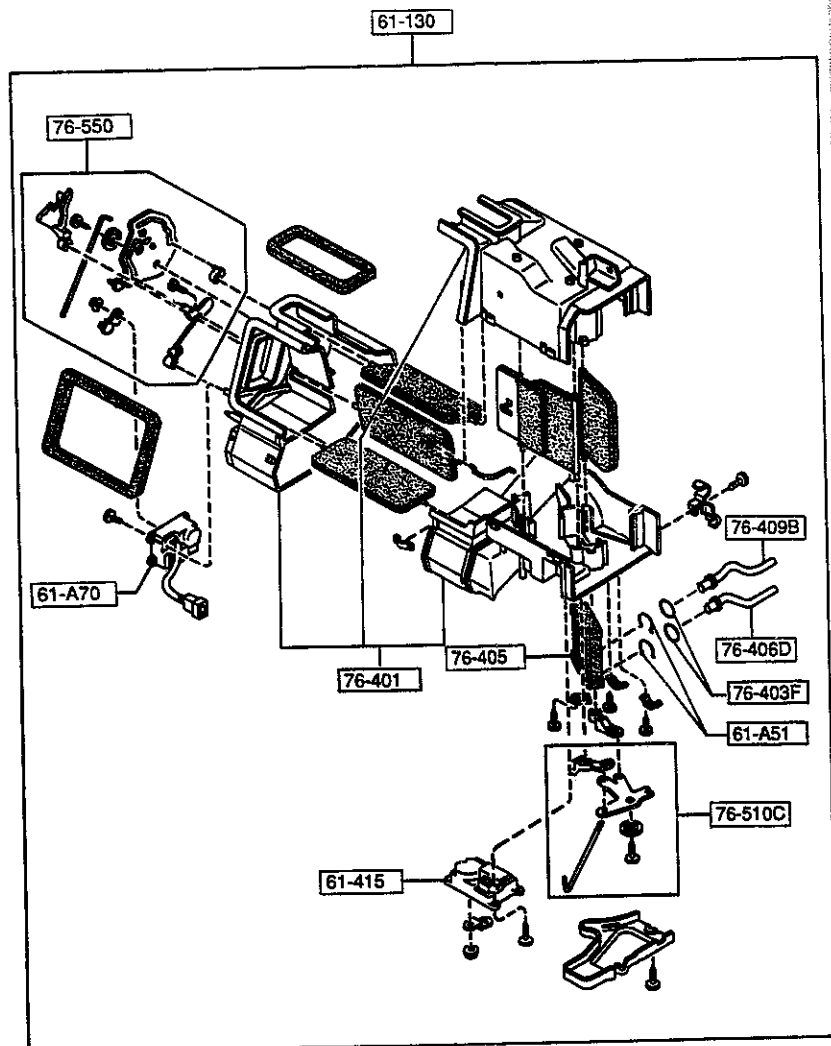
3-M 3



PART NO.	QTY	MODEL/RESTRICTION	MODEL/RESTRICTION	MODEL/RESTRICTION	FROM TO
61-150		DUCT, AIR			
FD01-61-150B	1	(W/O AIR CON.)			
61-211		HOSE NO.1, WATER			
FD01-61-211A	1				
61-212		HOSE NO.2, WATER			
FD01-61-212A	1				
61-213		HOSE NO.3, WATER			
FD01-61-213B	1				
61-214		HOSE NO.4, WATER			
FD01-61-214B	1				
61-219A		CLAMP, HOSE			
H266-61-242	4				
61-220		PIPE, HEATER			
FD01-61-220	1				
61-230		PIPE, HEATER			
FD01-61-230	1				
61-240A		CONNECTOR, WATER HOSE			
B455-61-240A	1				
61-479		GROMMET			
8871-61-219A	2				
64-581Y		DUCT(L), SHOWER			
FD01-61-156A	1				
68-151E		CLIP			
B102-68-865	1				

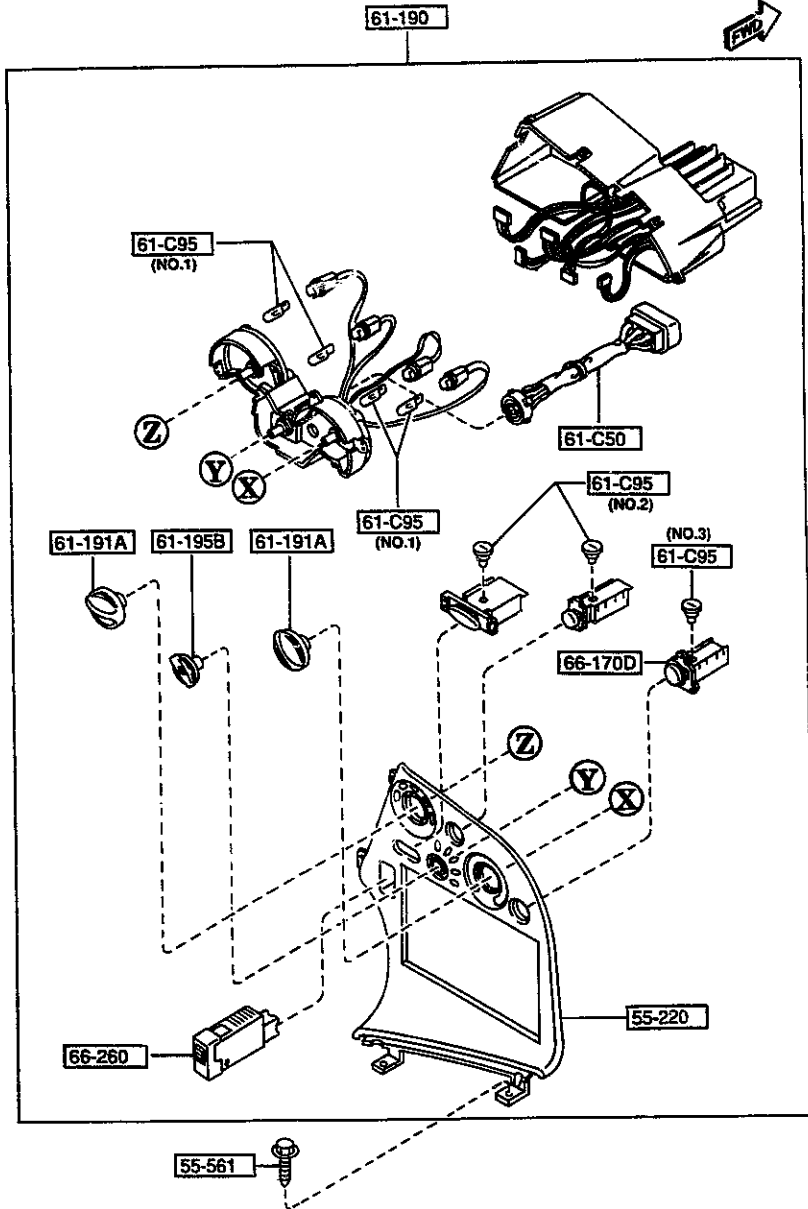
6110 -1 * HEATER UNIT COMPONENTS

6110 HEATER UNIT COMPONENTS



PART NO.	QTY	MODEL/RESTRICTION	MODEL/RESTRICTION	MODEL/RESTRICTION	FROM-TO
61-A51		CLIP, HEATER UNIT			
FD01-61-A18	2				
61-A70		ACTUATOR, MODE-HEATER UNIT			
FD01-61-A70	1				
61-130		HEATER UNIT			
FD01-61-130B	1				
61-415		ACTUATOR, TEMP			
FD01-61-A60	1				
76-401		CASE, HEATER			
FD01-61-A80	1				
76-403F		RING, 'O'			
FD01-61-A19	2				
76-405		CORE, HEATER			
FD01-61-A10	1				
76-406D		PIPE, HEATER UNIT			
FD01-61-A15A	1				
76-409B		PIPE, HEATER UNIT			
FD01-61-A16A	1				
76-510C		LINK SET, TEMP			
FD01-61-A20	1				
76-550		LINK SET, MODE			
FD01-61-A30	1				

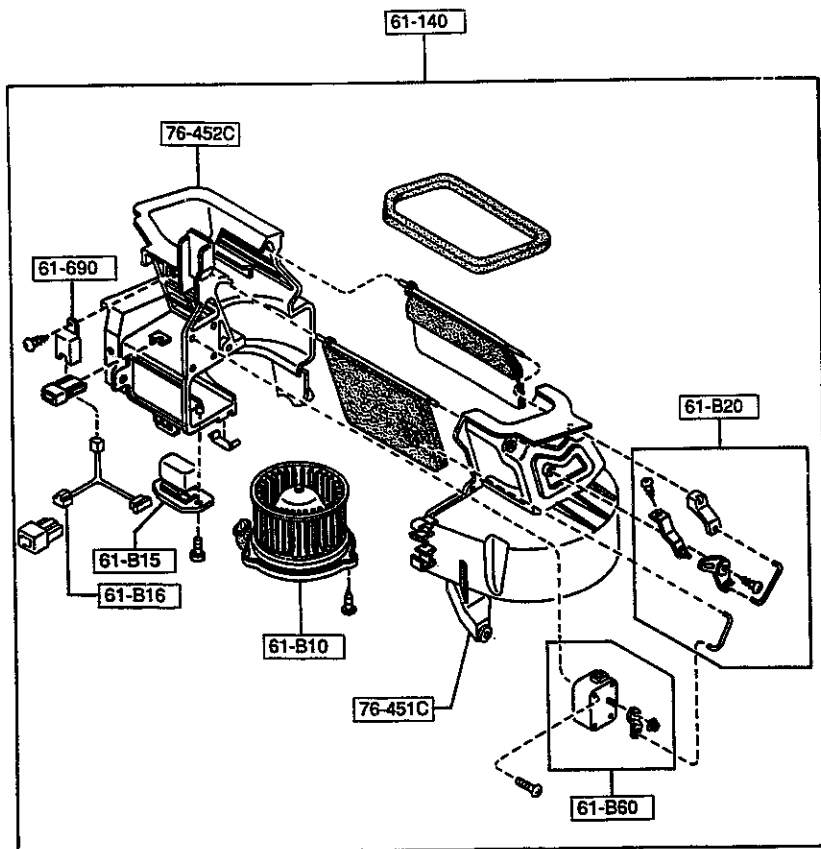
6115 HEATER CONTROLS COMPONENTS



PART NO.	QTY	MODEL/RESTRICTION	MODEL/RESTRICTION	MODEL/RESTRICTION	FROM-TO
55-220		PANEL,CENTER			4106-
FD15-55-21X	1				
55-561		BOLT,INST. PANEL			
B455-55-561	4				
61-C50		SWITCH,FAN-HEATER CO NTROL			
FD01-61-C50	1				
61-C95		BULB,MODE CONTROL			
FD01-61-C95	4	(ILLUST. NO.1)			
FD02-61-C95	2	(ILLUST. NO.2)			
FD03-61-C95	1	(ILLUST. NO.3)			
61-190		CONTROL,HEATER			-4106
FD15-61-19Z	1				
00	INT-	FE5 FE6 FE7 BLACK			
FD15-61-19ZA	1				4106-
00	INT-	FE5 FE6 FE7 BLACK			
61-191A		KNOB ND.1			
FD01-61-191	2				
61-195B		KNOB,FAN SWITCH			
FD01-61-195	1				
66-170D		SWITCH,HAZARD			
FD01-66-4HD	1				
66-260		RESISTOR			
FD01-55-490A	1				
4106 FD333*-301753					

6120 -1 * HEATER BLOWER COMPONENTS

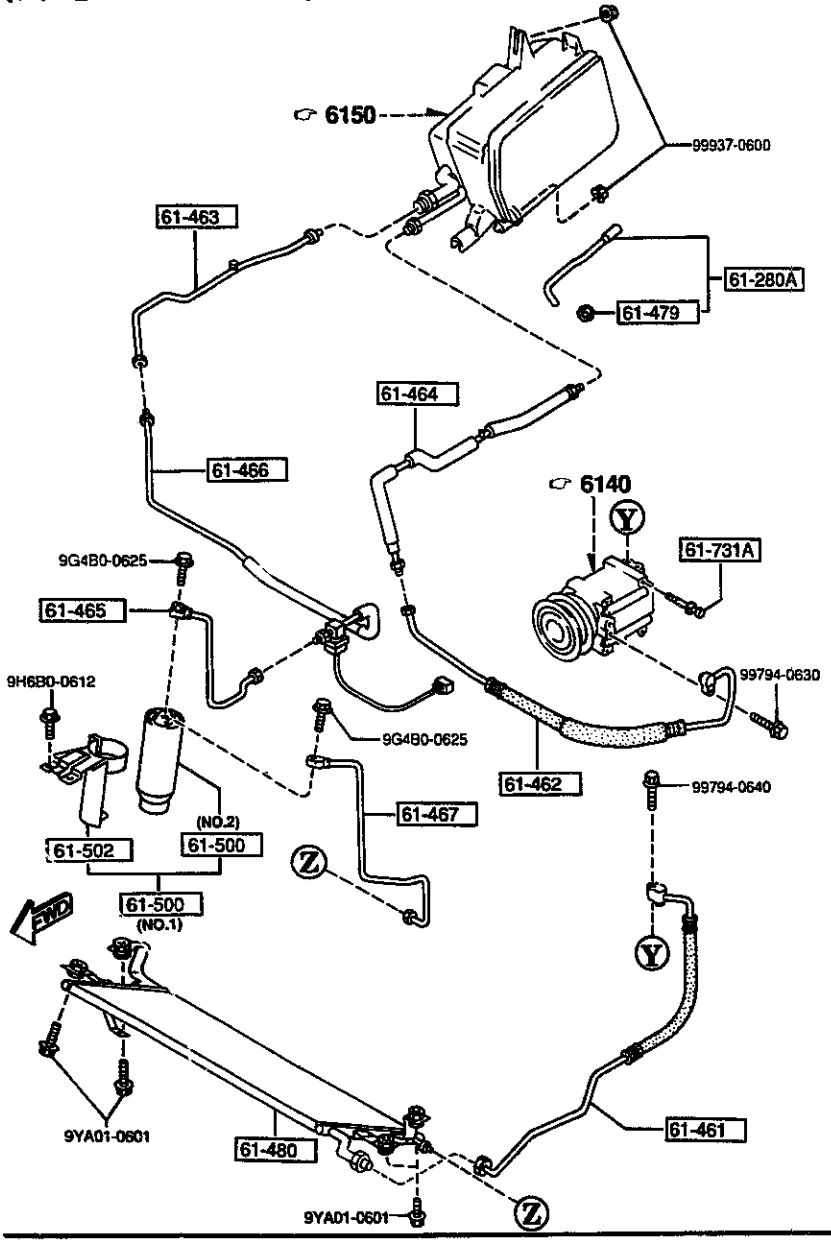
6120 HEATER BLOWER COMPONENTS



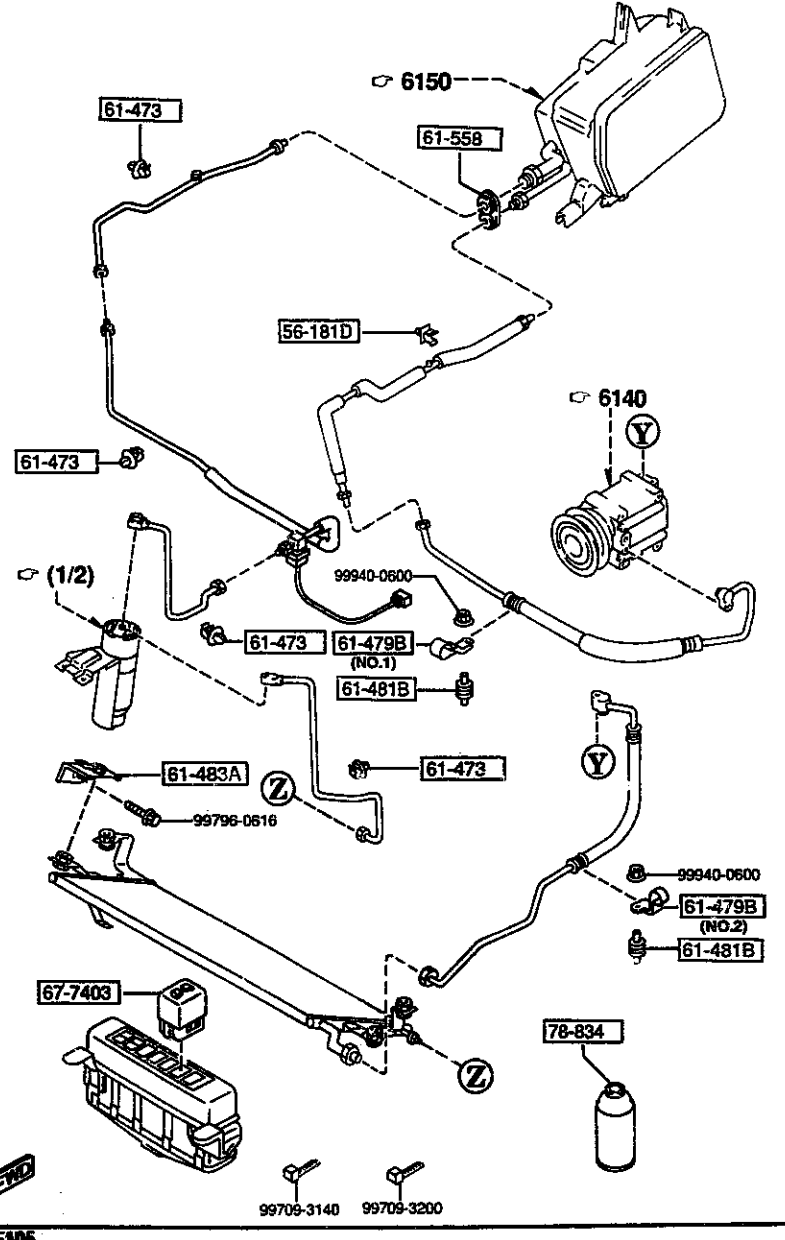
PART NO.	QTY	MODEL/RESTRICTION	MODEL/RESTRICTION	MODEL, RESTRICTION	FROM-TO
61-B10		MOTOR, FAN-BLOWER UNIT			
FD01-61-B10	1				
61-B15		RESISTOR, BLOWER UNIT			
D061-61-B15	1				
61-B16		HARNESS, BLOWER UNIT			
FDD1-61-B16A	1				
61-B20		LINK, RECYCLE & FRESH			
FD01-61-B20	1				
61-B60		ACTUATOR, RECYCLE & FRESH			
FD01-61-B60	1				
61-140		BLOWER UNIT			
FD01-61-140B	1				
61-690		RELAY			
FB03-61-691	1	W/IG. RELAY BLOWER			
76-451C		CASE(R), BLOWER			
FD01-61-B01	1				
76-452C		CASE(L), BLOWER			
FD01-61-B02	1				

(PIPE & CONDENSER)

(CLIP & BRACKET)

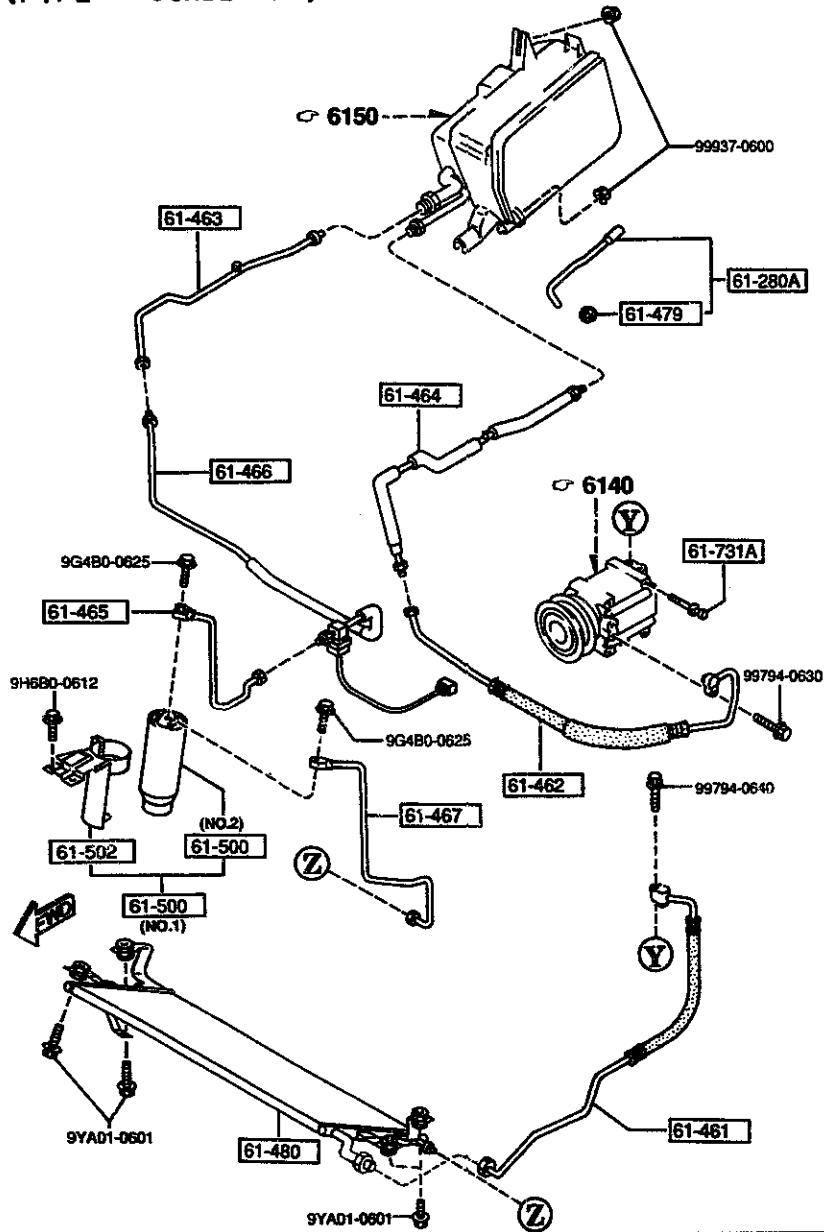


AUFA05



AUFA05

(PIPE & CONDENSER)



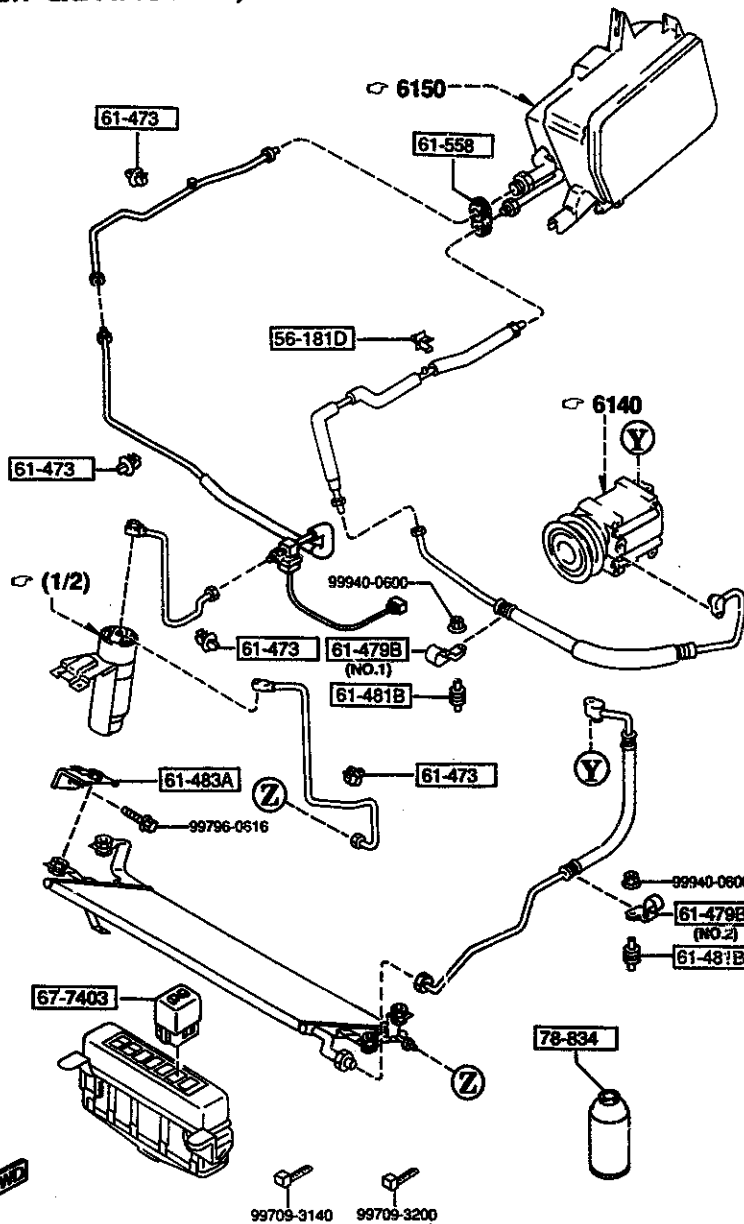
PART NO.	QTY	MODEL/RESTRICTION	MODEL/RESTRICTION	MODEL/RESTRICTION	FROM-TO
56-181D		CLIP			
S083-56-181	1				
61-280A		HOSE, DRAIN			
FD15-61-280	1				
61-461		HOSE, FLEXIBLE-HIGH			
FD15-61-461	1				
61-462		HOSE, FLEXIBLE-LOW			
FD15-61-462	1				
61-463		PIPE NO.1, COOLER			
FD15-61-464	1				
61-464		PIPE NO.2, COOLER			
FD15-61-465 A (FD15-61-465A)	1				-3809
FD15-61-465A	1				3809-
61-465		PIPE NO.3, COOLER			
FD15-61-466	1				
61-466		PIPE NO.4, COOLER			
FD15-61-467A	1				
61-467		PIPE NO.5, COOLER			
FD15-61-468	1				
61-473		CLIP, PIPE			
FD01-61-475	4				
61-479		GROMMET			
FB01-61-478A	1				
61-479B		CLIP			
FD04-61-479A	1	(ILLUST. NO.1)			
FD05-61-479	1	(ILLUST. NO.2)			
61-480		CONDENSER			
FD15-61-480	1				-3802
3802 FD333*-301137					
3809 FD333*-301234					

6130 AIR CONDITIONER
(DENSO MAKE)

(2/2)

6130 -2 * AIR CONDITIONER
(DENSO MAKE)

(CLIP&BRACKET)

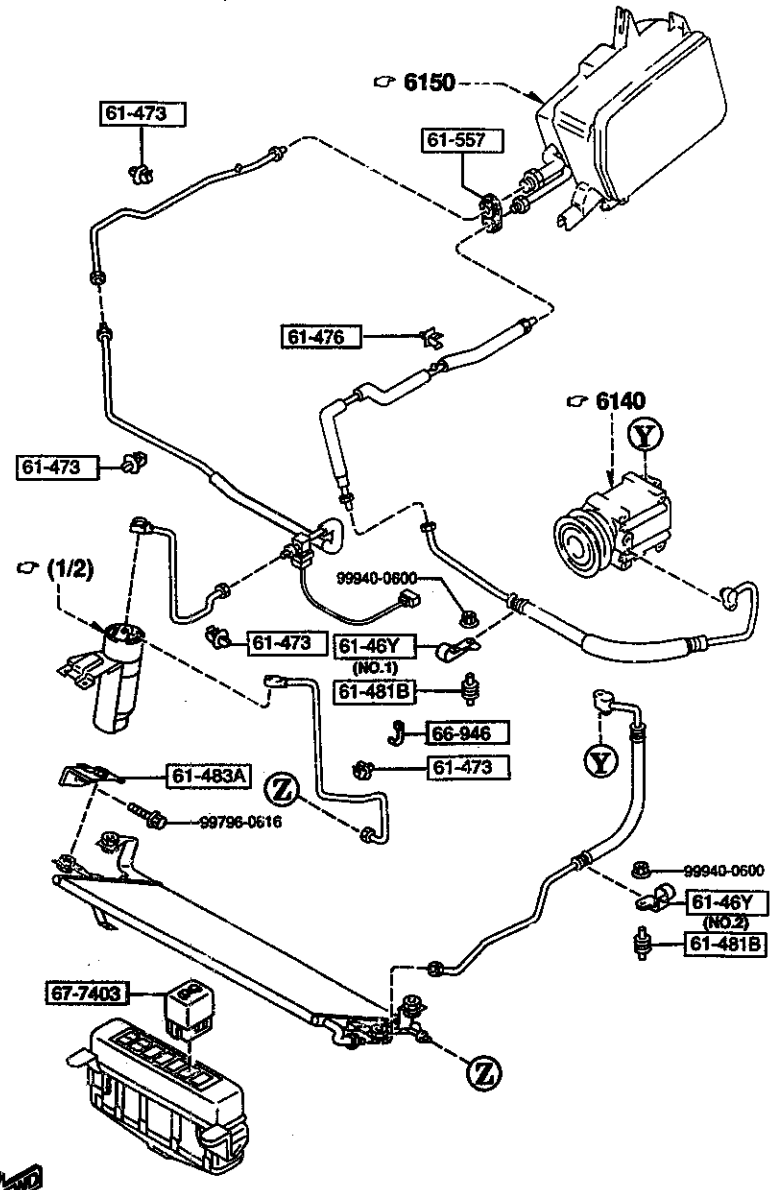
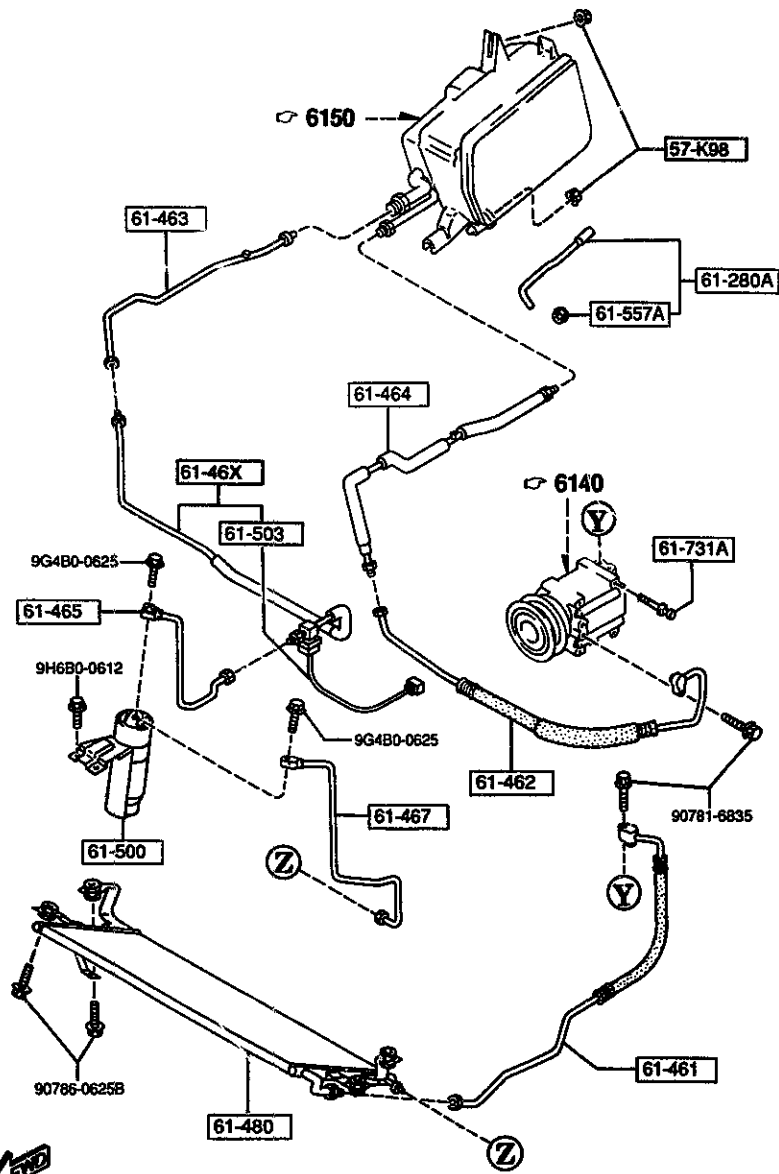


PART NO.	QTY	MODEL/RESTRICTION	MODEL/RESTRICTION	MODEL/RESTRICTION	FROM-TO
CONT'D					
F110-61-480	1				3B02-
61-481B		RUBBER, INSULATOR			
FD04-61-481	2				
61-483A		BRACKET, CONDENSER			
FD04-61-483A	1				
61-500		TANK, LIQUID			
FD15-61-500	1	(ILLUST. NO.1)			
N026-61-501	1	(ILLUST. NO.2)			
61-502		BRACKET, TANK			
FD04-61-502	1				
61-558		GROMMET, UNIT-COOLING			
LA01-61-558A	1				
61-731A		BOLT, AIR CON.			
FD05-61-731	4				
67-7403		RELAY, N.O.			
H270-67-740	1	30A			
78-834		REFRIGERANT DRUM			
W257-61-R13	1	200G			
W523-61-R13	1	300G			
3B02 FD333*-301137					

AUFA05

CAT. AUFA05-03

1995-03

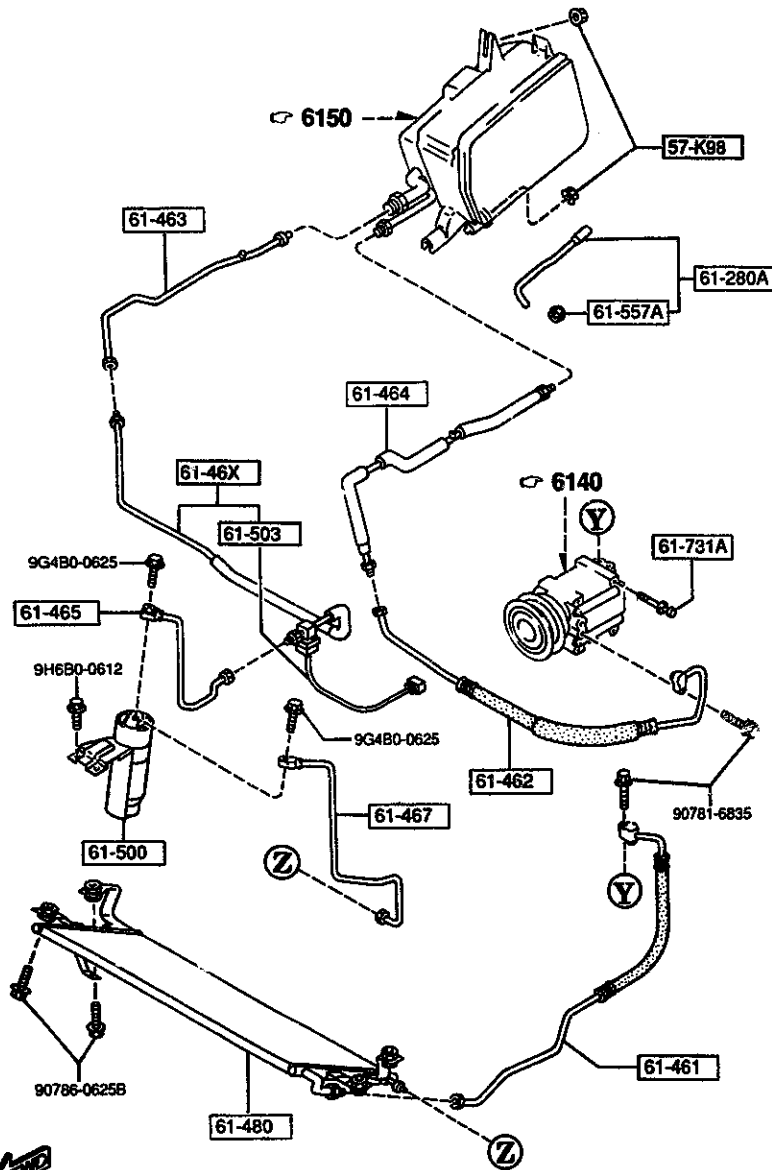


ALFA05



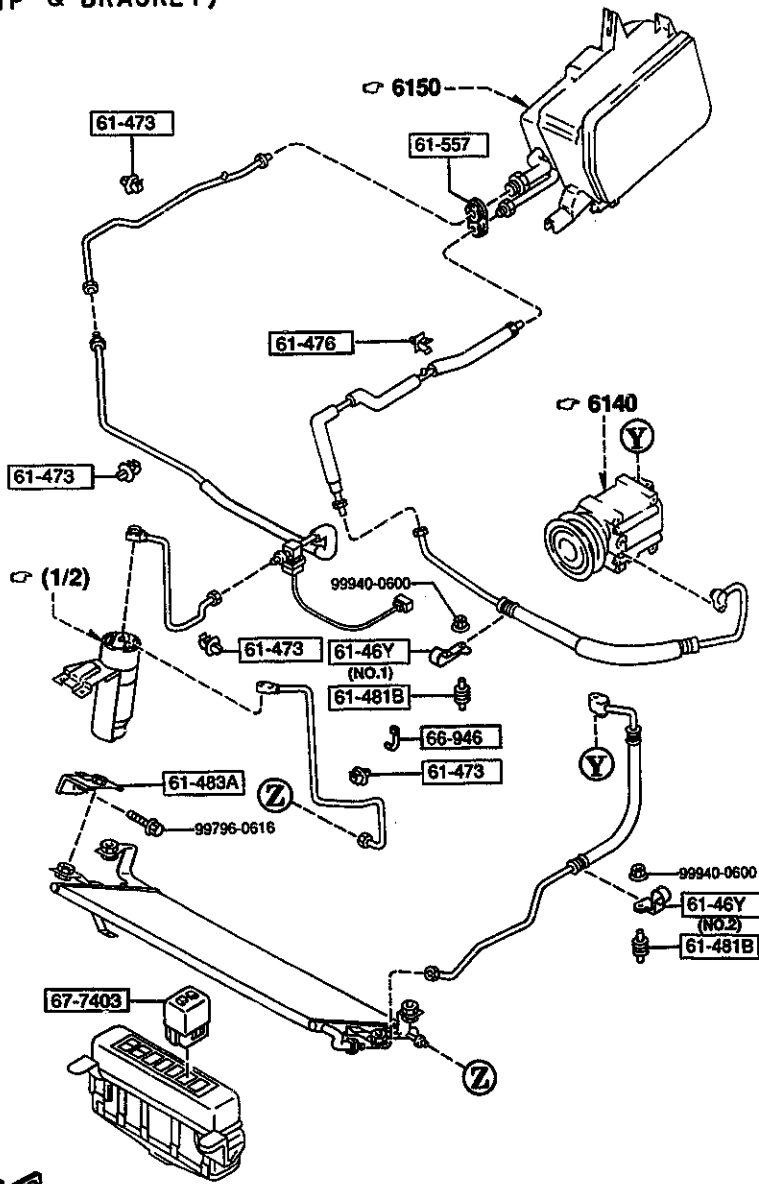
ALFA06

(PIPE&CONDENSER)



PART NO.	QTY	MODEL/RESTRICTION	MODEL/RESTRICTION	MODEL/RESTRICTION	FROM-TO
57-K98		NUT			
*MFC66-57-K98	2				
61-280A		HOSE, DRAIN			
FD16-61-280	1	(A)			
61-46X		PIPE, COOLER-HIGH			
*FD16-61-46X	1				
61-46Y		CLIP, PIPE			
FD01-61-46YA	1	(A)			(ILLUST. NO.1)
FD02-61-46Y	1	(A)			(ILLUST. NO.2)
61-461		HOSE, FLEXIBLE-HIGH			
FD01-61-461	1	(A)			
61-462		HOSE, FLEXIBLE-LOW			
FD01-61-462A	1	(A)			
61-463		PIPE NO.1, COOLER			
FD01-61-464	1	(A)			
61-464		PIPE NO.2, COOLER			
FD01-61-465	1	(A)			
61-465		PIPE NO.3, COOLER			
FD01-61-466	1	(A)			
61-467		PIPE NO.5, COOLER			
FD01-61-468A	1	(A)			
61-473		CLIP, PIPE			
FD01-61-473	4				
61-476		CLIP			

(CLIP & BRACKET)



PART NO.	QTY	MODEL/RESTRICTION	MODEL/RESTRICTION	MODEL/RESTRICTION	FROM-TO
CONT'D					
FD01-61-476	1	(A)			
↑ 61-480 ↓		CONDENSER			
FD01-61-480A	1	(A)			
↑ 61-481B ↓		RUBBER, INSULATOR			
FC20-61-481	2	(A)			
↑ 61-483A ↓		BRACKET, CONDENSER			
FD01-61-483A	1	(A)			
↑ 61-500 ↓		TANK, LIQUID			
FD01-61-500	1	(A)			
↑ 61-503 ↓		SW., PRESSURE-LIQUID TANK			
FD16-61-503	1	(A)			
↑ 61-557 ↓		GROMMET, REAR COOLER			
H269-61-557	1				
↑ 61-557A ↓		GROMMET			
FB04-61-557	1	(A)			
↑ 61-731A ↓		BOLT, AIR CON.			
B111-61-731	4				
↑ 66-946 ↓		BAND			
NA02-61-435	6	(A)			
↑ 67-7403 ↓		RELAY, N. O.			
H270-67-740	1	30A			

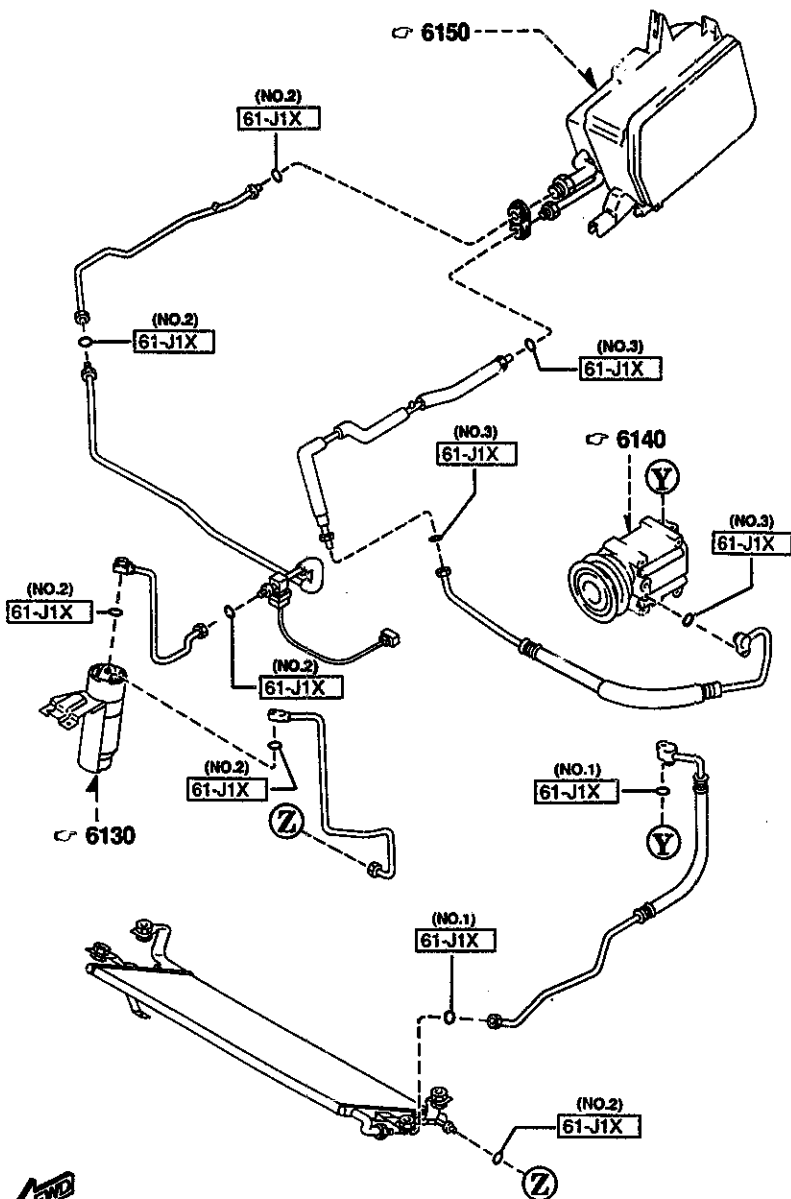


AUFA05

CAT. AUFA05-03

1995-03

6135 O RING SET, PIPING



6135 -1 * O RING SET, PIPING

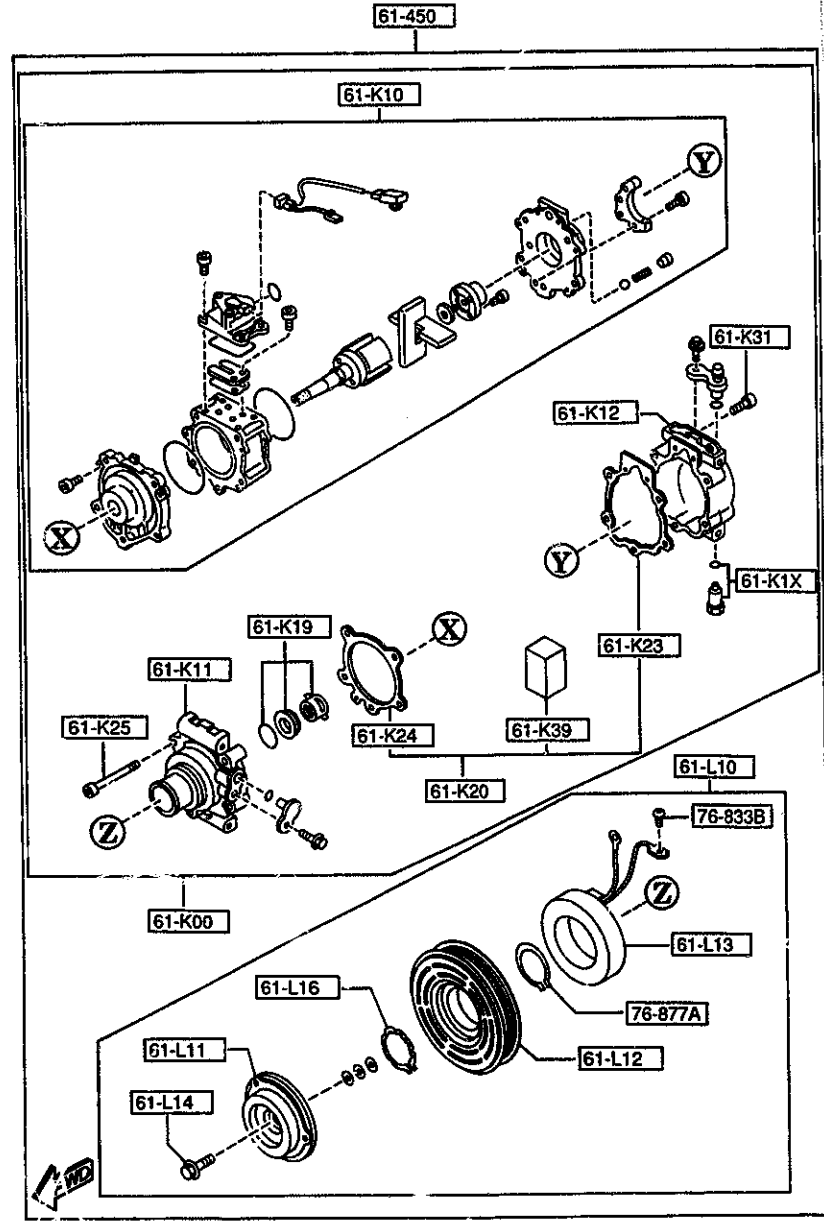
PART NO.	QTY	MODEL/RESTRICTION	MODEL/RESTRICTION	MODEL/RESTRICTION	FROM-TO
61-J1X		RING, 'O'-NO.1			
W257-61-J17	2	(ILLUST. NO.1)			
W326-61-J17	6	(ILLUST. NO.2)			
W329-61-J17	3	(ILLUST. NO.3)			

AUFA05

CAT. AUFA05-03

1995-03

6140 COMPRESSOR COMPONENTS (AIR CONDITIONER)
(DENSO MAKE)



6140 -1 COMPRESSOR COMPONENTS (AIR CONDITIONER)
(DENSO MAKE)

PART NO.	QTY	MODEL/RESTRICTION	MODEL/RESTRICTION	MODEL/RESTRICTION	FROM-TO
61-K00		COMPRESSOR,AIR CON.			
FD15-61-K00	1				
61-K1X		VALVE,RELIEF			
FD15-61-K1X	1				
61-K10		SHAFT,CYL -COMPRESSOR			
FD15-61-K10	1				
61-K11		HEAD,CYL.-COMPRESSOR			
FD15-61-K11	1				
61-K12		HEAD,CYL.-COMPRESSOR			
FD15-61-K12	1				
61-K19		SEAL,SHAFT-COMPR.			
FD15-61-K19	1				
61-K20		GASKET KIT,COMPRESSOR			
FD15-61-K2X	1				
61-K23		PLUG,COMPRESSOR			
FD15-61-K23	1				
61-K24		GASKET,COMPRESSOR			
FD05-61-K24	1				
61-K25		BOLT,COMPRESSOR-AIR CON.			
F065-61-K25	5				
61-K31		BOLT,COMPRESSOR			
F065-61-K31	2				
61-K39		OIL,COMPRESSOR			
FD15-61-K39	1				
61-L10		CLUTCH,MAGNET			
FD15-61-L10	1				
61-L11		ARMATURE,MAGNETIC CLUTCH			
FD15-61-L11	1				

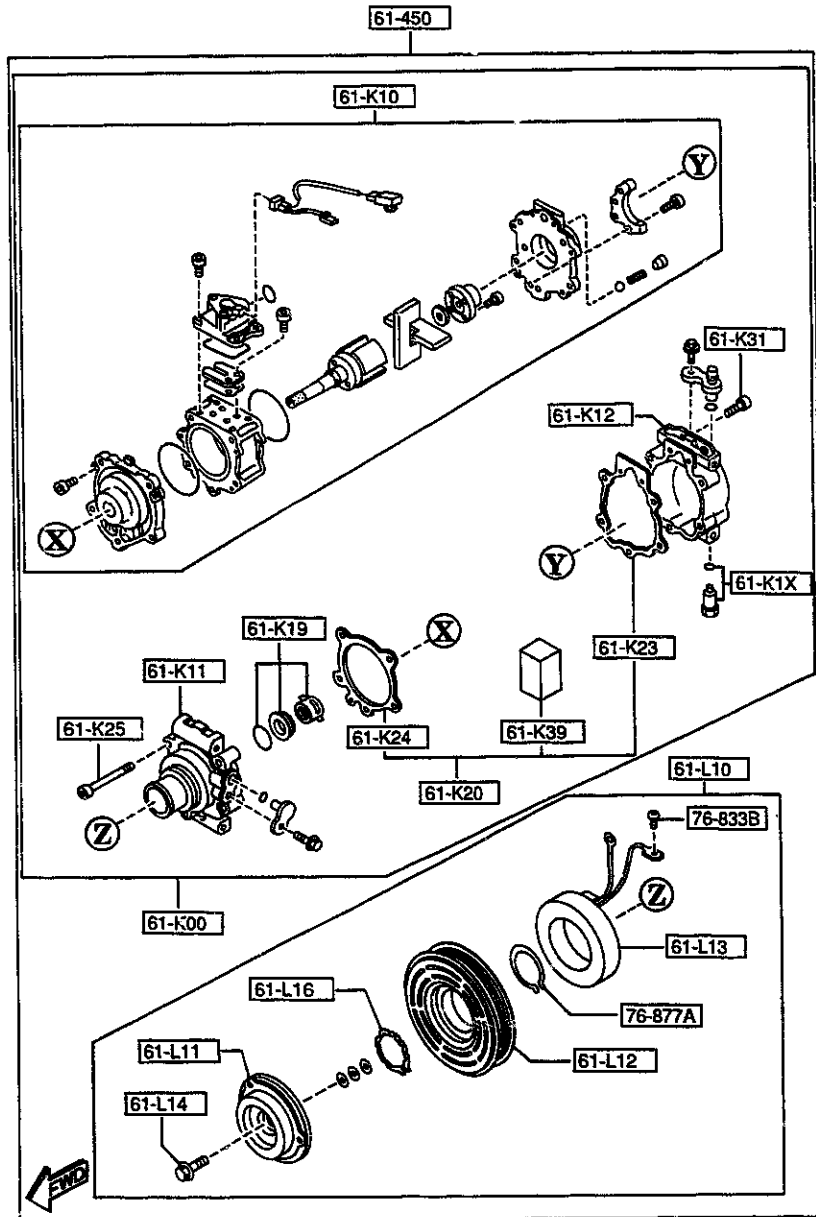
AUFA05

CAT. AUFA05-03

1995-05

6140 COMPRESSOR COMPONENTS (AIR CONDITIONER)
(DENSO MAKE)

6140 -2 * COMPRESSOR COMPONENTS (AIR CONDITIONER)
(DENSO MAKE)



PART NO.	QTY	MODEL/RESTRICTION	MODEL/RESTRICTION	MODEL/RESTRICTION	FROM-TO
61-L12		PULLEY, MAGNET CLUTCH			
FD15-61-L12	1				
61-L13		COIL, FIELD-MAGNET CLUTCH			
FD15-61-L13	1				
61-L14		BOLT, MAGNET CLUTCH			
F065-61-L14	1				
61-L16		RING, SNAP-MAGNET CLUTCH			
F065-61-L16	1				
61-450		COMPRESSOR			
FD15-61-450	1				
76-833B		WASHER			
B001-76-734	1				
76-877A		RING, SNAP			
B001-76-725	1				

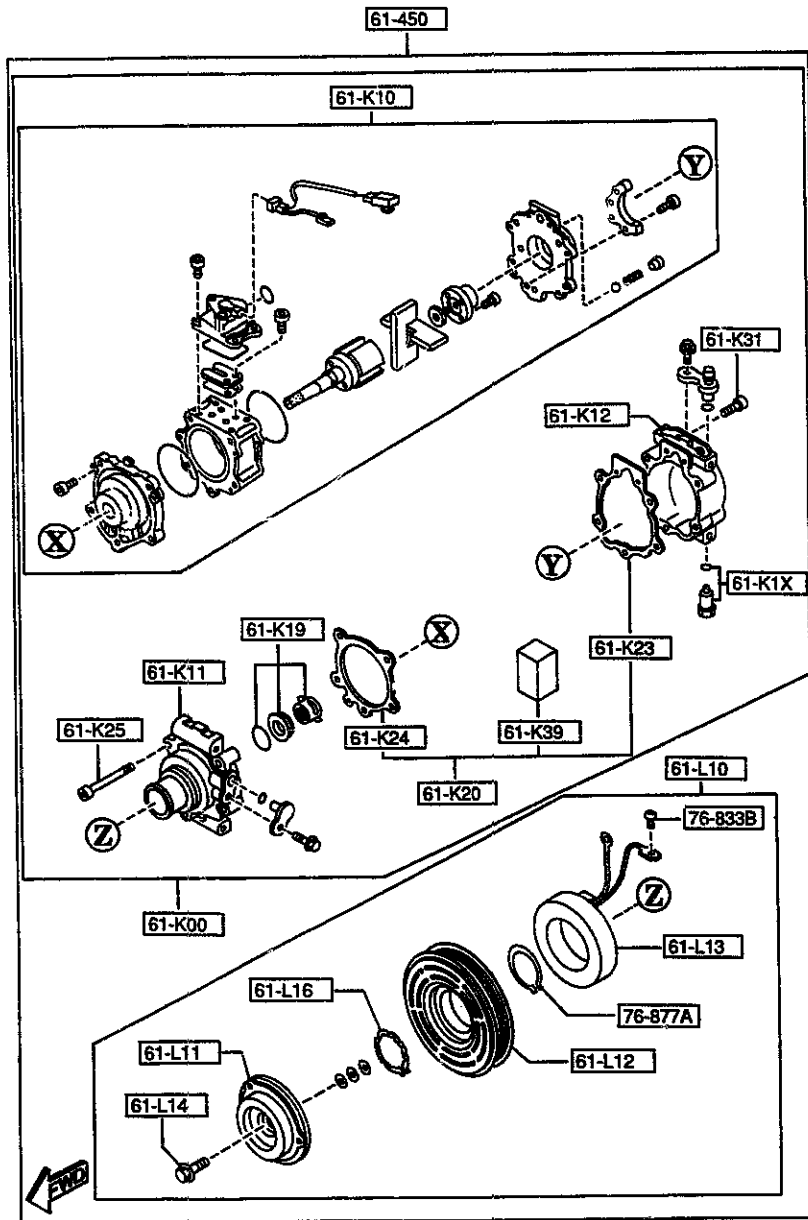
AUFA05

CAT. AUFA05-03

1995-03

6140A COMPRESSOR COMPONENTS (AIR CONDITIONER)
(MANA MAKE)

6140A -1 COMPRESSOR COMPONENTS (AIR CONDITIONER)
(MANA MAKE)



PART NO.	QTY	MODEL/RESTRICTION	MODEL/RESTRICTION	MODEL/RESTRICTION	FROM-TO
61-K00		COMPRESSOR,AIR CON.			
FD01-61-K00	1	(A)			
61-K1X		VALVE,RELIEF			
FD01-61-K1X	1	(A)			
61-K10		SHAFT,CYL -COMPRESSOR			
FD01-61-K10	1	(A)			
61-K11		HEAD,CYL.-COMPRESSOR			
NA02-61-K11	1	(A)			
61-K12		HEAD,CYL.-COMPRESSOR			
FD01-61-K12	1	(A)			
61-K19		SEAL,SHAFT-COMPR.			
F065-61-K19	1				
61-K20		GASKET KIT,COMPRESSOR			
NA02-61-K2X	1	(A)			
61-K23		PLUG,COMPRESSOR			
NA02-61-K23	1	(A)			
61-K24		GASKET,COMPRESSOR			
NA02-61-K24	1	(A)			
61-K25		BOLT,COMPRESSOR-AIR CON.			
F065-61-K25	5				
61-K31		BOLT,COMPRESSOR			
F065-61-K31	2				
61-K39		OIL,COMPRESSOR			
NA02-61-K39	1	(A)			

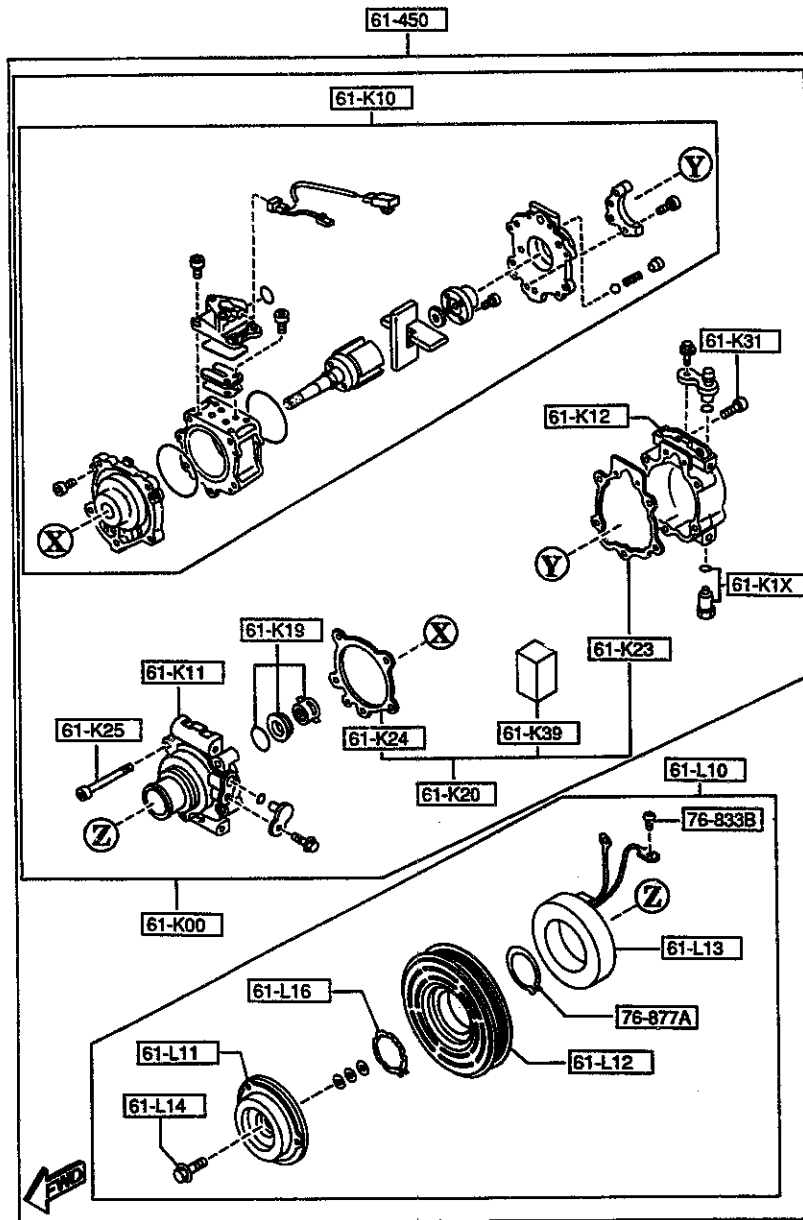
AUFA05

CAT. AUFA05-03

1995-03

6140A COMPRESSOR COMPONENTS (AIR CONDITIONER)
(MANA MAKE)

6140A -2 * COMPRESSOR COMPONENTS (AIR CONDITIONER)
(MANA MAKE)



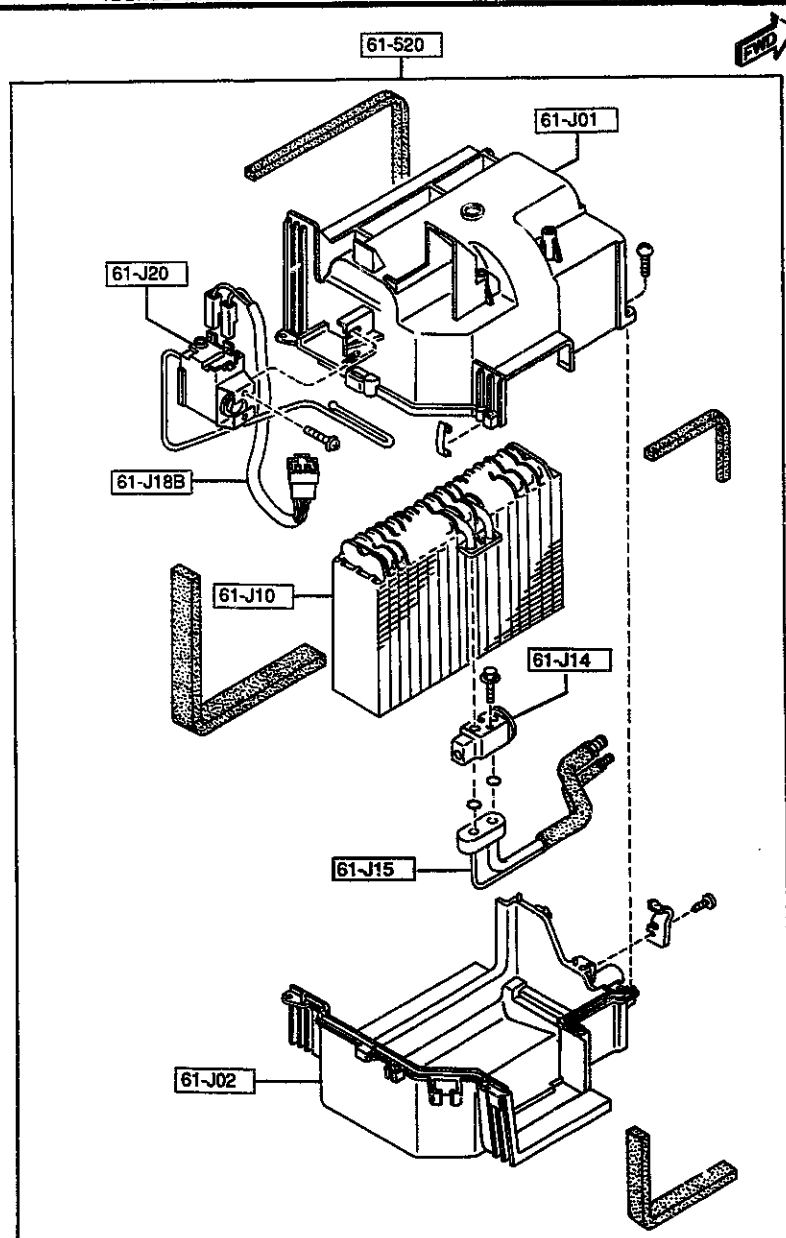
PART NO.	QTY	MODEL/RESTRICTION	MODEL/RESTRICTION	MODEL/RESTRICTION	FROM-TO
61-L10		CLUTCH, MAGNET			
FD01-61-L10	1	(A)			
61-L11		ARMATURE, MAGNETIC CL			
F065-61-L11	1	UTCH			
61-L12		PULLEY, MAGNET CLUTCH			
FD01-61-L12	1	(A)			
61-L13		COIL, FIELD-MAGNET CL			
F065-61-L13	1	UTCH			
61-L14		BOLT, MAGNET CLUTCH			
F065-61-L14	1				
61-L16		RING, SNAP-MAGNET CLU			
F065-61-L16	1	TCH			
61-450		COMPRESSOR			
FD01-61-450	1	(A)			
76-833B		WASHER			
B001-76-734	1				
76-877A		RING, SNAP			
B001-76-725	1				

AUFA05

CAT. AUFA05-03

1995-03

6150

COOLING UNIT (AIR CONDITIONER)
(DENSO MAKE)6150 -1 * COOLING UNIT (AIR CONDITIONER)
(DENSO MAKE)

PART NO.	QTY	MODEL/RESTRICTION	MODEL/RESTRICTION	MODEL/RESTRICTION	FROM-TO
61-J01		CASE 'A', COOLING UNIT			
FD15-61-J01	1				
61-J02		CASE 'B', COOLING UNIT			
FD15-61-J02	1				
61-J10		EVAPORATOR			
FD15-61-J10	1				
61-J14		VALVE, EXPANSION			
FD15-61-J14	1				
61-J15		PIPE, COOLING UNIT			
FD15-61-J15	1				
61-J18B		HARNESS, COOLING UNIT			
FD15-61-J43	1				
61-J20		THERMOSTAT, COOLING UNIT			
FD15-61-J20	1				
61-520		UNIT, COOLING			
FD15-61-520	1				

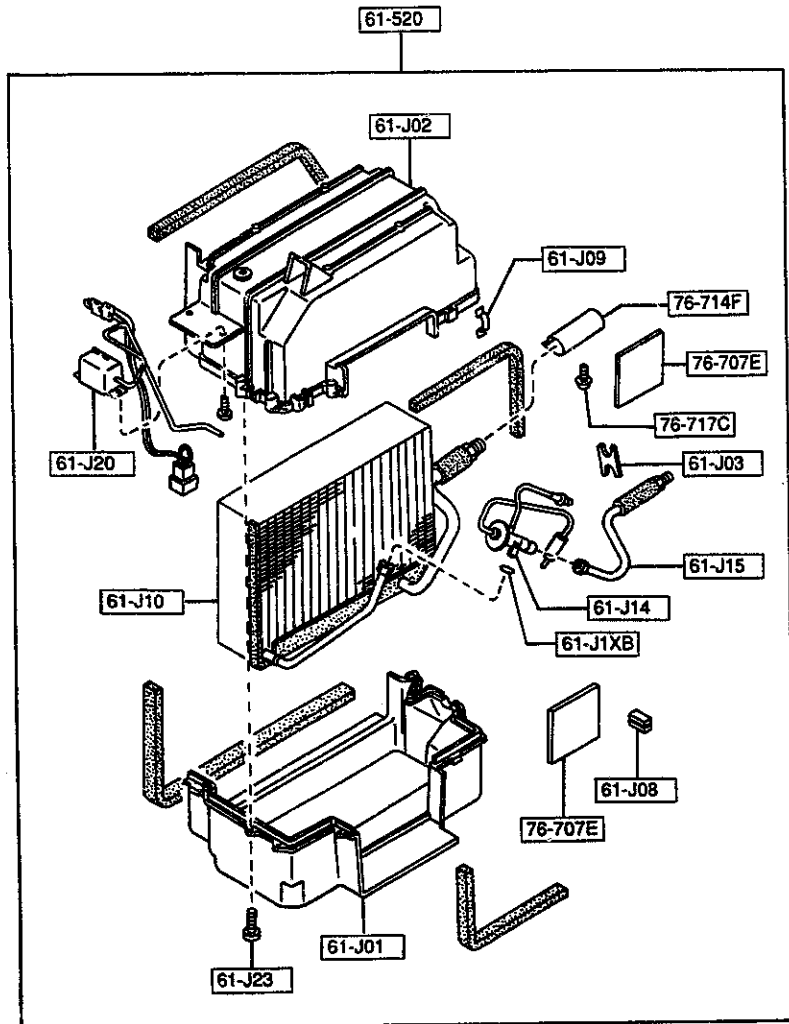
AUF05

CAT. AUF05-03

1995-03

6150A COOLING UNIT (AIR CONDITIONER)
(MANA MAKE)

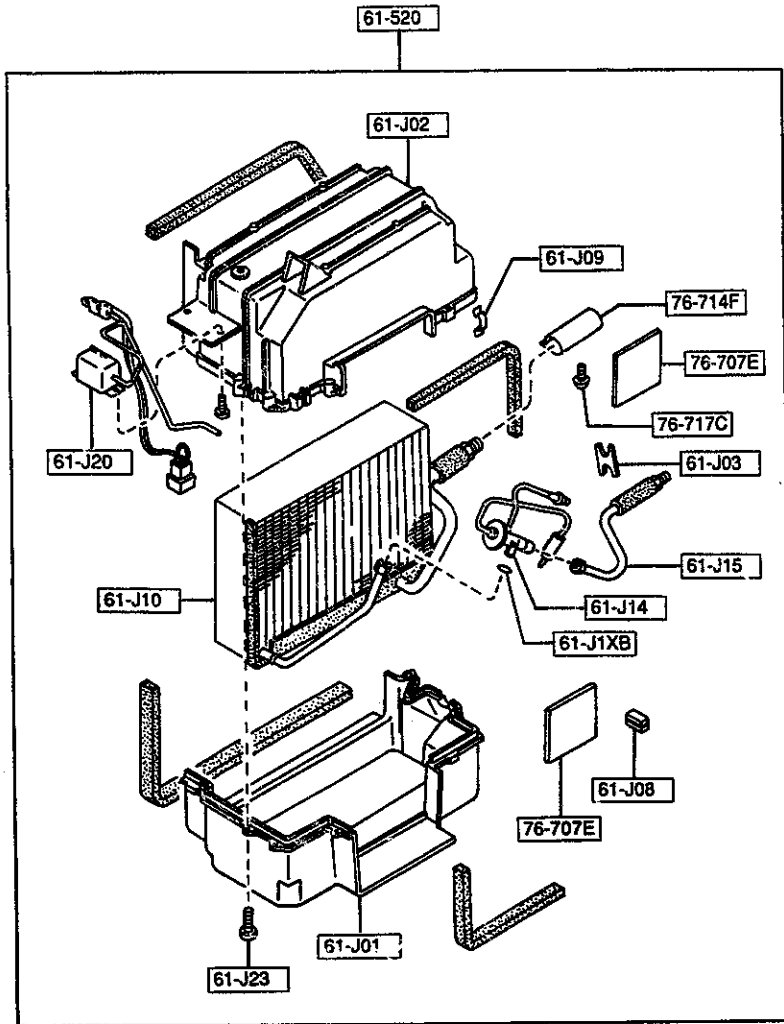
6150A -1 COOLING UNIT (AIR CONDITIONER)
(MANA MAKE)



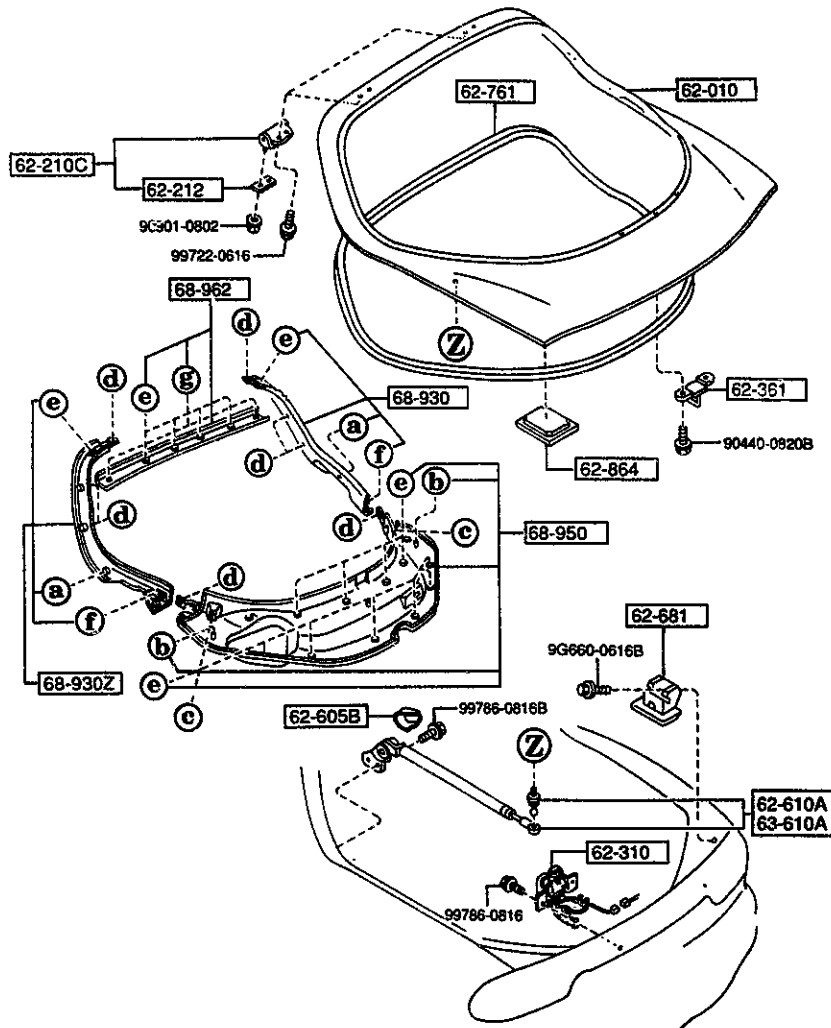
PART NO.	QTY	MODEL/RESTRICTION	MODEL/RESTRICTION	MODEL/RESTRICTION	FROM-TO
61-J01 FD17-61-J01	1	CASE*A*,COOLING UNIT (A)			
61-J02 FD17-61-J02	1	CASE*B*,COOLING UNIT (A)			
61-J03 FD01-61-J03	1	CASE*C*,COOLING UNIT (A)			
61-J08 GJ51-61-J08	1	CLIP,COOLING UNIT (G)			
61-J09 G213-61-J09	2	CLIP,COOLING UNIT			
61-J1XB H261-61-J17	1	RING,*O*-NO.3			
61-J10 FD17-61-J10	1	EVAPORATOR (A)			
61-J14 FD01-61-J14	1	VALVE,EXPANSION (A)			
61-J15 FD17-61-J15	1	PIPE,COOLING UNIT (A)			
61-J20 FD01-61-J20	1	THERMOSTAT,COOLING U NIT			
61-J23 GJ51-61-J23	5	SCREW,COOLING UNIT (G)			
61-520 FD17-61-520	1	UNIT,COOLING (A)			

6150A COOLING UNIT (AIR CONDITIONER)
(MANA MAKE)

6150A -2 * COOLING UNIT (AIR CONDITIONER)
(MANA MAKE)



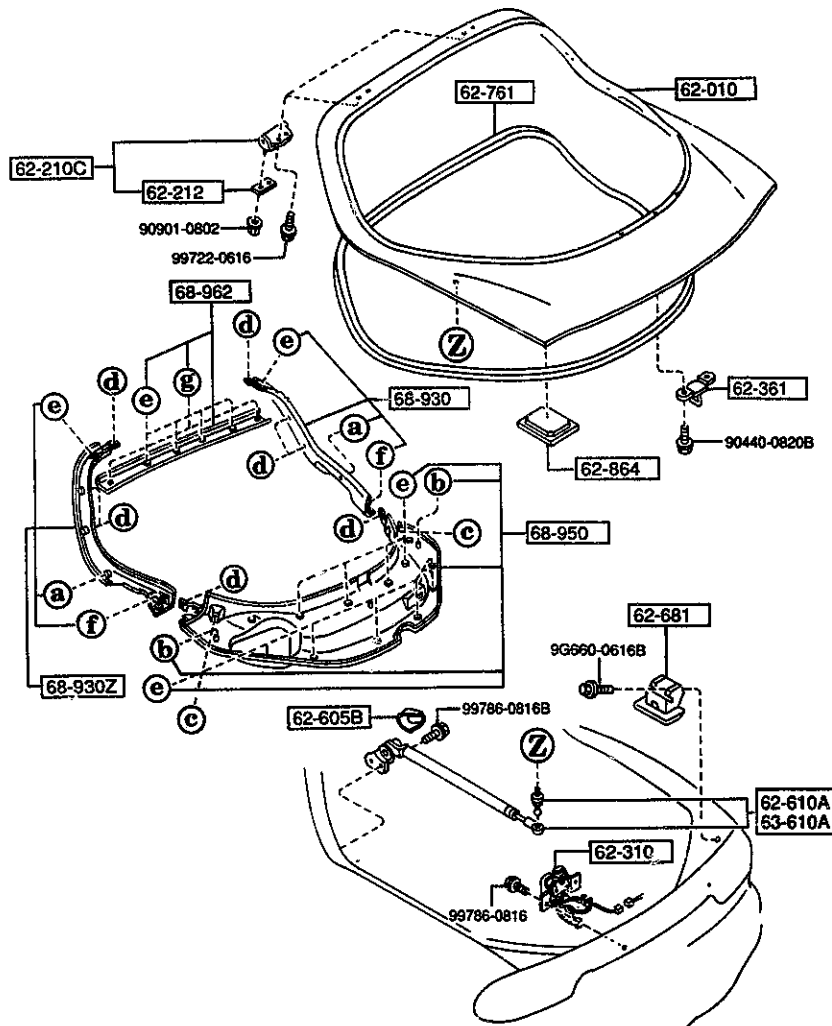
PART NO.	QTY	MODEL/RESTRICTION	MODEL/RESTRICTION	MODEL/RESTRICTION	FROM-TO
76-707E		INSULATOR			
HA16-76-707	2				
76-714F		CLIP			
H001-76-714	1				
76-717C		SCREW			
H001-76-717	1				



a	b	c	d	e	f	g
68-AD1	68-D21	68-305B	68-865Q	68-865S	68-172H	68-AD2

PART NO.	QTY	MODEL/RESTRICTION	MODEL/RESTRICTION	MODEL/RESTRICTION	FROM-TO
62-010		BODY, LIFT GATE			
FD01-62-020D	1	((W/O SUN-RF)>(NOR.S USP)) (STEEL SUN-RF)			
FD03-62-020D	1	((W/O SUN-RF)>(HARD SUSP))			
FD04-62-020D	1	(GLASS SUN-RF)			
62-210C		HINGE, GLASS HATCH			
FD01-62-210C	2				
62-212		GASKET, HINGE-LIFT GATE			
B001-62-212	2				
62-310		LOCK, LIFT GATE			
FD01-62-310	1				
62-361		STRIKER, LOCK			
KA01-62-361	1				
62-605B		COVER, DAMPER STAY			
FB01-62-615	2				
62-610A		STAY(R), DAMPER			
88FA-62-620	1	((W/O SUN-RF)>(HARD SUSP)) (GLASS SUN-RF)			
88F9-62-620	1	((W/O SUN-RF)>(NOR.S USP)) (STEEL SUN-RF)			
62-681		WEDGE, LIFTGATE			
FD01-62-681B	2				
62-761		WTHSTP, LIFT GATE			
FD01-62-761	1				
62-864		TAPE, PROTECTOR-STOPPER			
B467-62-864 AN(B467-62-864A)	2				-4101
B467-62-864A AN(B467-62-864B)	2				4101-4117
B467-62-864B	2				4117-
4101 FD333*-301753 4117 FD333*-301957					

6230 LIFT GATE MECHANISMS

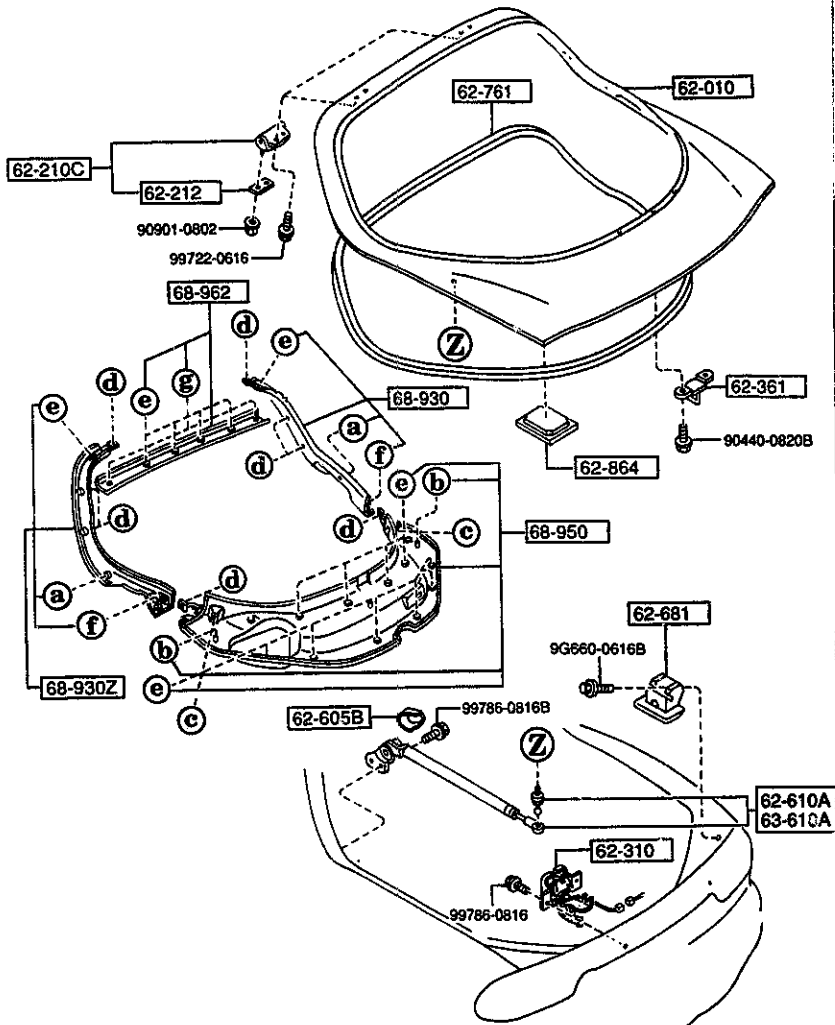


a	b	c	d	e	f	g
68-AD1	68-D21	68-305B	68-865Q	68-865S	68-172H	68-AD2

PART NO.	QTY	MODEL/RESTRICTION	MODEL/RESTRICTION	MODEL/RESTRICTION	FROM-TO
43-619A		STAY(L), DAMPER			
68F5-63-620	1	((W/O SUN-RF))>(NOR.S USP) (STEEL SUN-RF)			
68F6-63-620	1	((W/O SUN-RF))>(HARD SUSP) (GLASS SUN-RF)			
68-AD1		CLIP, SLIDE			
B499-68-AD1A	2				
68-AD2		CLIP			
B455-68-AD2	2				
68-D21		CLIP, TRIM			
LA10-68-D21	2				
68-172H		FASTENER, CTR. P/UPP.			
B100-68-215A	2				
68-305B		HANGER, STRAP			
FD01-68-301	2				
02	INT-	FE5 FE6 FE7 BLACK			
68-865Q		FASTENER			
GJ21-68-885B	8				
00	INT-	FE5 FE6 FE7 BLACK			
68-865S		CLIP, TRIM			
GJ12-68-865	17				
68-930		TRIM(R), LIFT GATE-SI DE			
FD01-68-940B	1				
02	INT-	FE5 FE6 FE7 BLACK			
68-930Z		TRIM(L), LIFT GATE-SI DE			
FD01-68-950B	1				
02	INT-	FE5 FE6 FE7 BLACK			
68-950		TRIM, LIFTGATE-LOWER			
FD01-68-960C	1				

3-J 5

6230 LIFT GATE MECHANISMS

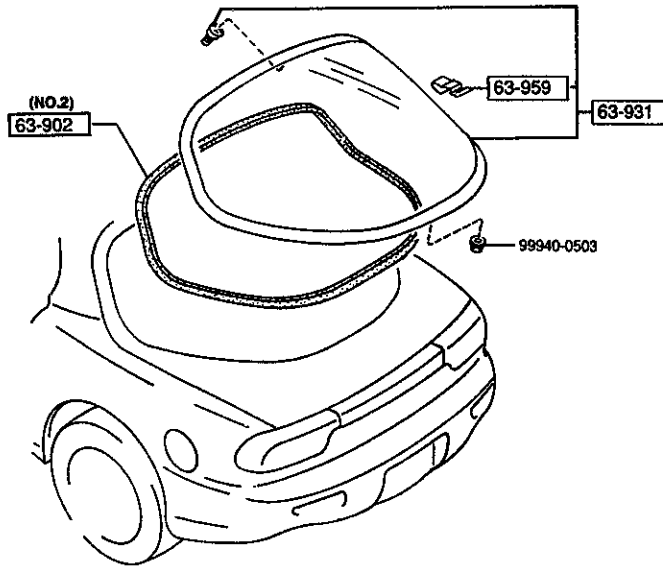
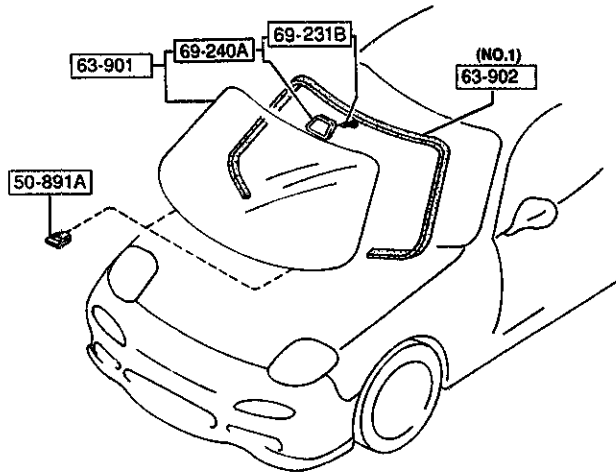


a	b	c	d	e	f	g
68-AD1	68-D21	68-305B	68-865Q	68-865S	68-172H	68-AD2

PART NO.	QTY	MODEL/RESTRICTION	MODEL/RESTRICTION	MODEL/RESTRICTION	FROM-TO
CONT'D					
02	INT-	FE5 FE6 FE7 BLACK			
↑ 68-962 ↓		TRIM, LIFTGATE-UPPER			
FD01-68-930A	1				
02	INT-	FE5 FE6 FE7 BLACK			

6300 -1 * WINDOW GLASSES

6300 WINDOW GLASSES



PART NO.	QTY	MODEL/RESTRICTION	MODEL/RESTRICTION	MODEL/RESTRICTION	FROM-TO
50-891A		SPACER, WINDOW			
EA01-50-891 AN(EA01-50-891A)	2	WHITE			-4401
*EA01-50-891A	2	WHITE			4401-
63-901		GLASS, WINDSHIELD			
FD15-63-900	1				
63-902		DAM, FRT. WSHLD GLASS			
FD01-50-894	1	L=3120MM (ILLUST. NO.1)			
8545-63-902	1	L=3850MM (ILLUST. NO.2)			
63-931		GLASS, BACK WINDOW			
FD15-63-930	1				
63-959		TERMINAL, BACK WIND. GLASS			
FB01-63-959	3				
69-231B		SCREW			
HG30-69-119	2				
69-240A		BASE, INTERIOR MIRROR			
HG31-69-240	1				
4401 FD333*-303310					

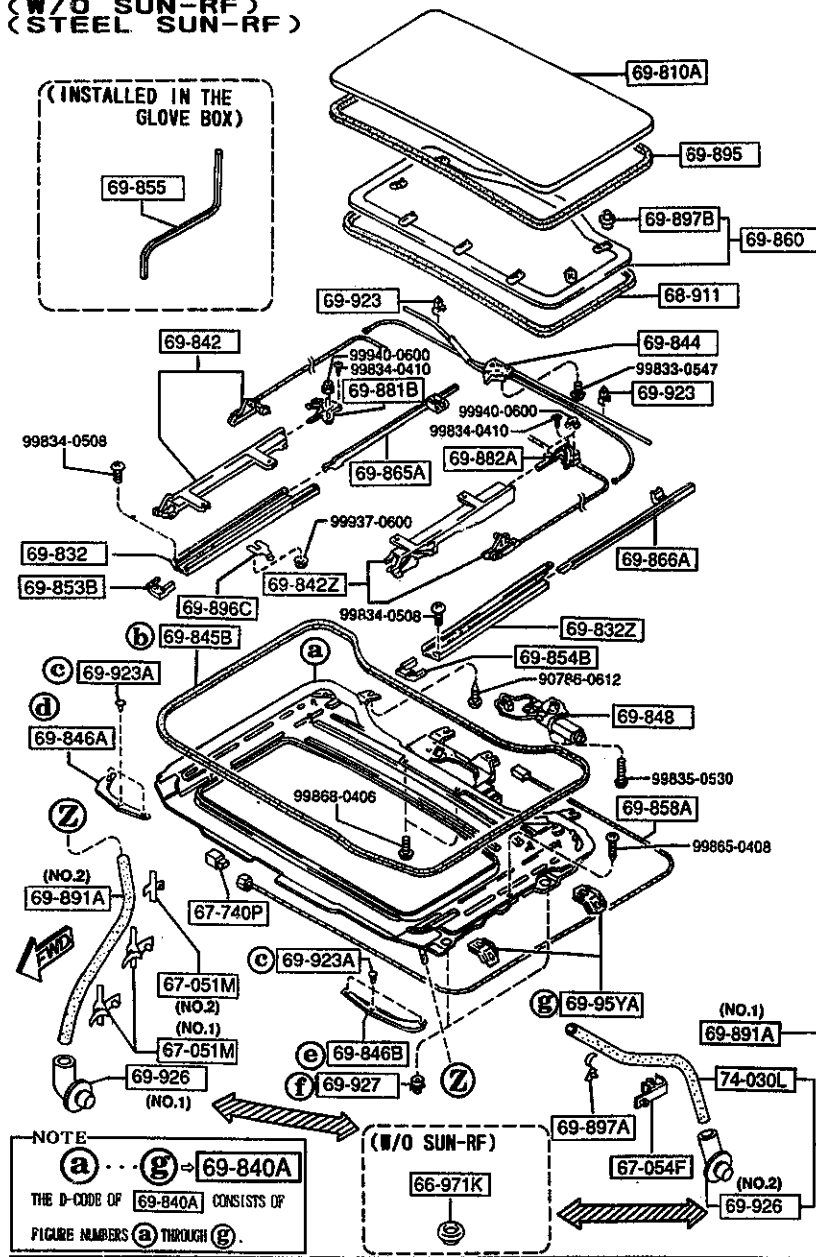
AUFA05

CAT. AUFA05-03

1995-03

6330 SUNROOF
 (W/O SUN-RF)
 (STEEL SUN-RF)

(1/2)

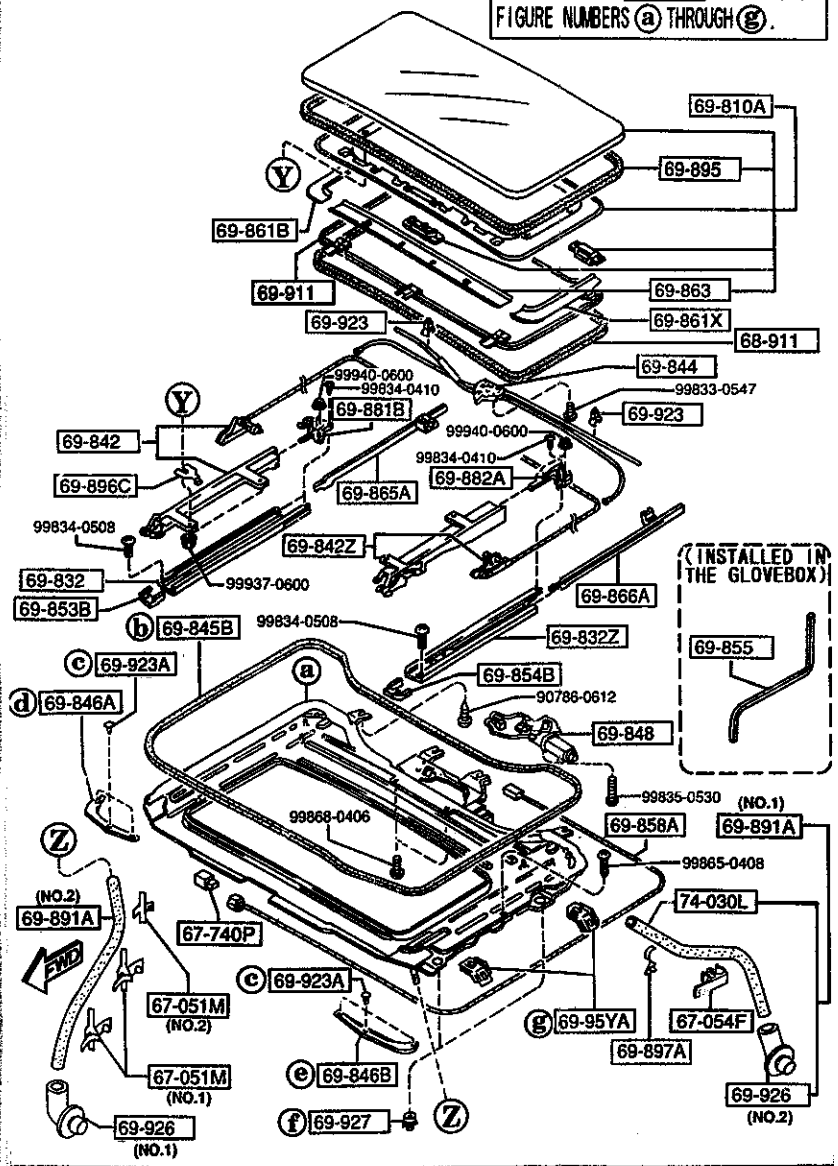


AUFA05

6330 SUNROOF
 (GLASS SUN-RF)

(2/2)

NOTE
 (a) ... (g) → 69-840A
 THE D-CODE OF 69-840A CONSISTS OF
 FIGURE NUMBERS (a) THROUGH (g).

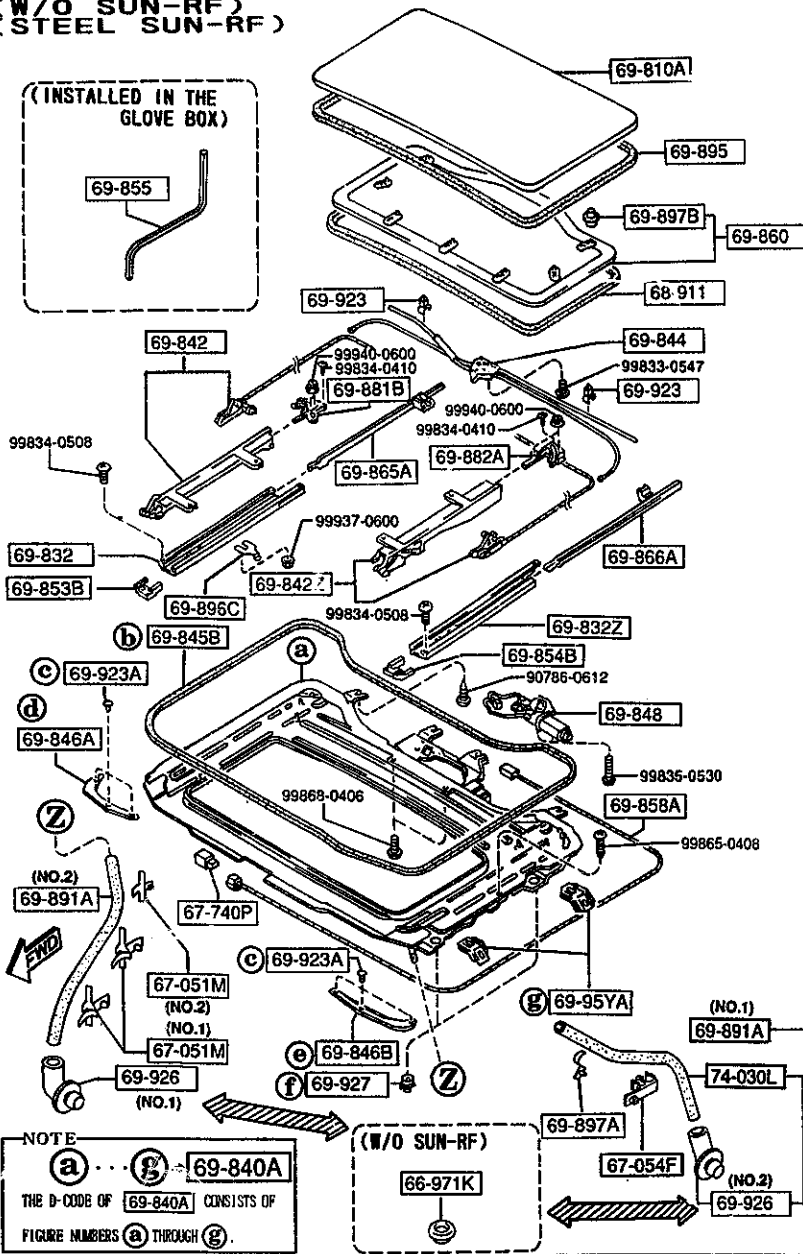


AUFA05

-288-

6330 SUNROOF
 (W/O SUN-RF)
 (STEEL SUN-RF)

(1/2)

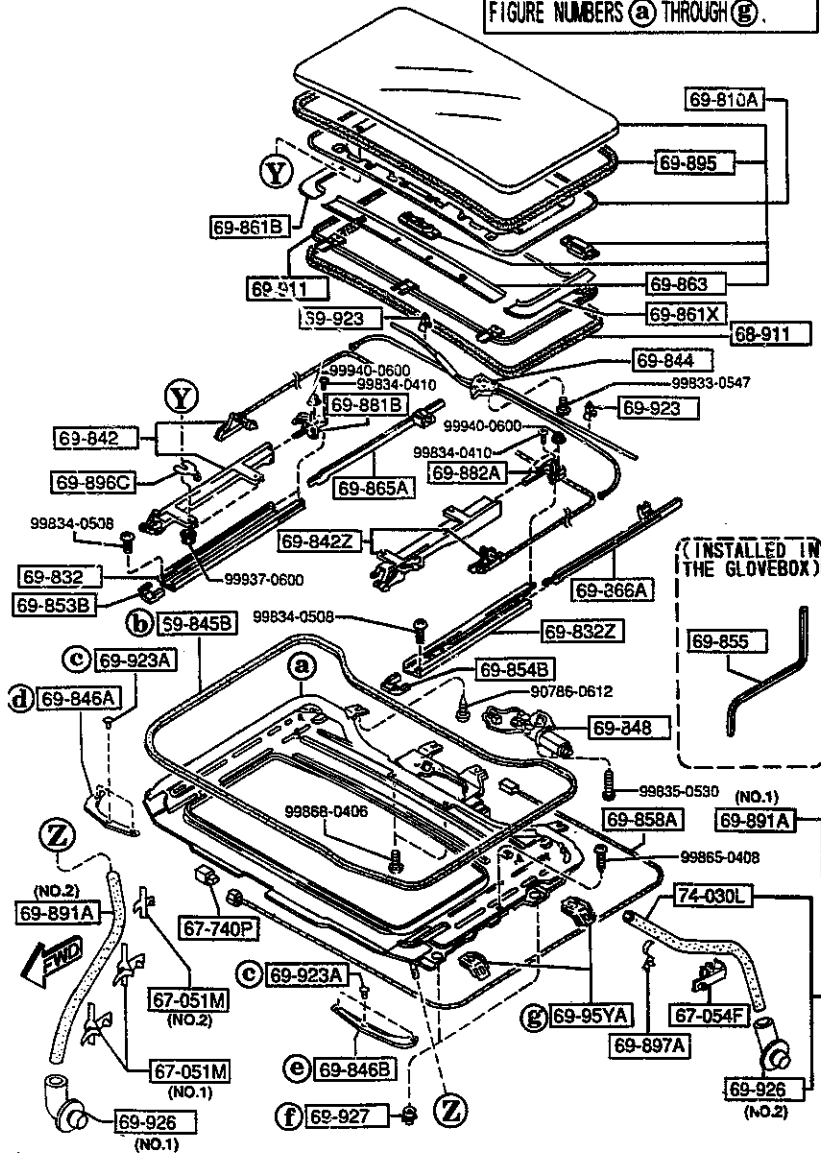


PART NO.	QTY	MODEL/RESTRICTION	MODEL/RESTRICTION	MODEL/RESTRICTION	FROM-TO
66-971K		GROMMET			
0222-66-971	4	(W/O SUN-RF)			
67-051M		CLIP			
8455-67-C31	2	(ILLUST. NO.1)			
GA2A-67-C33	1	(ILLUST. NO.2)			
67-054F		CLIP			
6030-67-052	2				
67-740P		RELAY, SLIDE ROOF			
EA05-69-873	1				
68-911		WELD, SEAMING			
FD01-69-981A	1				
02	INT-	FES FE6 FE7 BLACK			
69-810A		PANEL, SLIDING ROOF			
FD01-69-810B	1	(STEEL SUN-RF)			
F114-69-810B	1	(GLASS SUN-RF)			
69-832		RAIL(R), GUIDE			
FD01-69-851	1				
69-832Z		RAIL(L), GUIDE			
FD01-69-852	1				
69-840A		FRAME, SLIDING ROOF			
FD01-69-840	1				
69-842		GUIDE(R), REAR			
FD01-69-864	1				
69-842Z		GUIDE(L), REAR			
FD01-69-865	1				
69-844		UNIT, DRIVE			
FD01-69-861	1				
69-845B		TAPE, SEAL-SLDG ROOF FRAME			

(GLASS SUN-RF)

NOTE

(a)-(g) ⇒ [69-840A]
 THE D-CODE OF [69-840A] CONSISTS OF
 FIGURE NUMBERS (a) THROUGH (g).

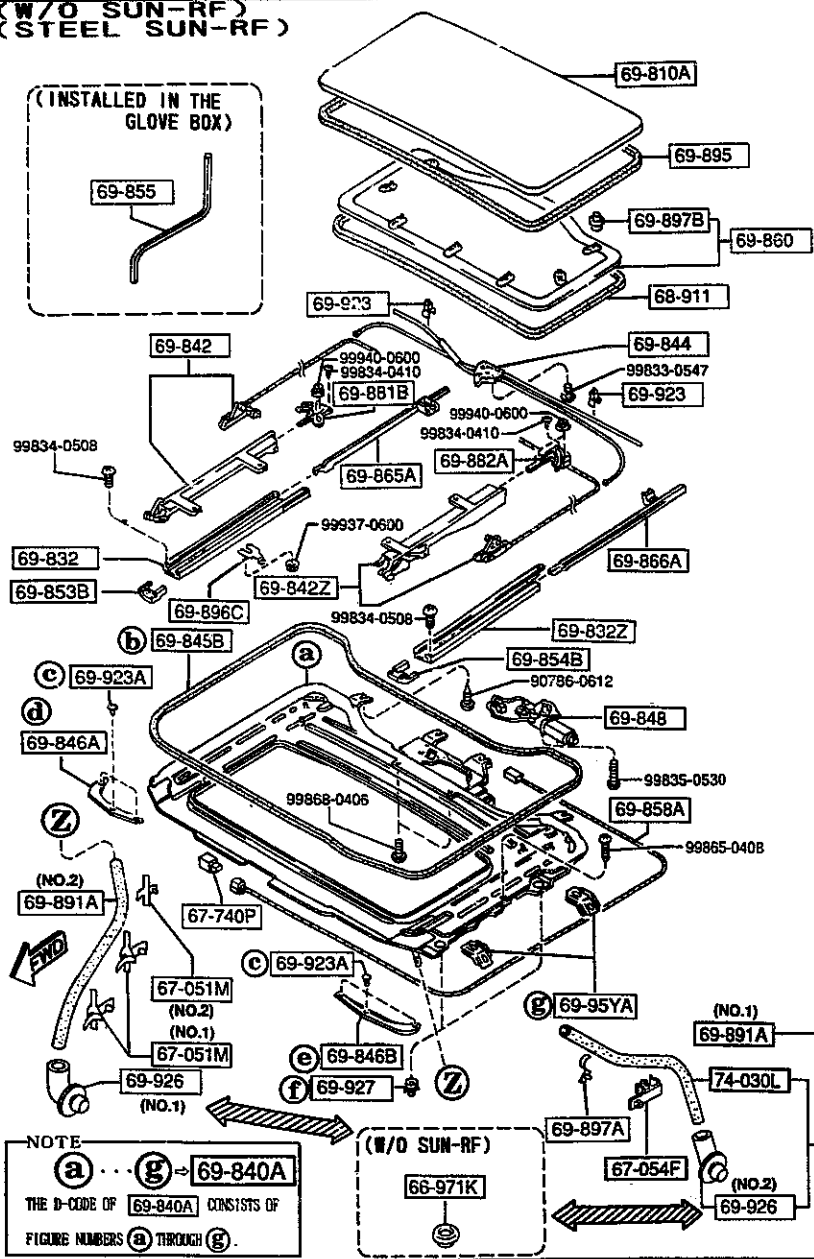


PART NO.	QTY	MODEL/RESTRICTION	MODEL/RESTRICTION	MODEL/RESTRICTION	FROM-TO
CONT'D					
FD01-69-845	1				
↑ 69-846A ↓		COVER 'A', FRAME-SLIDE			
FD01-69-846	1	ROOF			
↑ 69-846B ↓		COVER 'B', FRAME-SLIDE			
FD02-69-846	1	ROOF			
↑ 69-848 ↓		MOTOR, SLIDING ROOF			
EA05-69-871	1				
↑ 69-853B ↓		PLATE (R), POSITION-S.			
FD01-69-858	1	ROOF			
↑ 69-854B ↓		PLATE (L), POSITION-S.			
FD01-69-859	1	ROOF			
↑ 69-855 ↓		HANDLE, SLIDING ROOF			
EA05-69-924	1				
↑ 69-858A ↓		HARNES, SLIDING ROOF			
EA05-69-872	1				
↑ 69-860 ↓		TRIM, SLIDING ROOF			
FD01-69-960A	1	(STEEL SUN-RF)			
02	INT-	FE5 FE6 FE7 BLACK			
↑ 69-861B ↓		COVER (R), DECORATION			
F114-69-983	1	(GLASS SUN-RF)			
↑ 69-861X ↓		COVER (L), DECORATION			
F114-69-984	1	(GLASS SUN-RF)			
↑ 69-863 ↓		COVER, LOWER PANEL			
F114-69-893	1	(GLASS SUN-RF)			
↑ 69-865A ↓		SHUTTING (R), SLIDING			
FD01-69-9H1	1	ROOF			
↑ 69-866A ↓		SHUTTING (L), SLIDING			
FD01-69-9H2	1	ROOF			
3C01 FD333*-301464					

-3C01

6330 SUNROOF
 (W/O SUN-RF)
 (STEEL SUN-RF)

(1/2)



PART NO.	QTY	MODEL/RESTRICTION	MODEL/RESTRICTION	MODEL/RESTRICTION	FROM-TO
69-881B		PLATE(R),GUIDE			
FDD1-69-9H3	1				
69-882A		PLATE(L),GUIDE			
FDD1-69-9H4	1				
69-891A		HOSE,DRAIN-SUN ROOF FRONT (ILLUST. NO.1)			
FD04-69-920	2				
FD01-69-921	2	(ILLUST. NO.2)			
69-895		WEATHERSTRIP,S/ROOF			
FD01-69-825A	1	(STEEL SUN-RF)			
F114-69-825	1	(GLASS SUN-RF)			
69-896C		SHIM,LOWER PANEL FRONT			
FB03-69-896A	4				
69-897A		CLIP			
G034-69-897	2				
69-897B		FASTENER,TRIM-SLIDE ROOF (STEEL SUN-RF)			
GA2B-69-897	7				
69-911		SHADE,SUN			
F114-69-890A	1	(GLASS SUN-RF)			
69-923		CLIP,DRAIN HOSE-SUN ROOF			
FDD1-69-929	2				
69-923A		CLIP,DRAIN HOSE-REAR			
FDD1-69-923	6				
69-926		JOINT,DRAIN HOSE-REAR (ILLUST. NO.1)			
F100-69-926A	2				
KA02-69-926	2	(ILLUST. NO.2)			
69-927		NUT,ADJUST-S/ROOF FRAME			
GA2B-69-927	4				
69-95YA		BRACKET,SUN ROOF-FRONT			

AUFA05

CAT. AUFA05-03

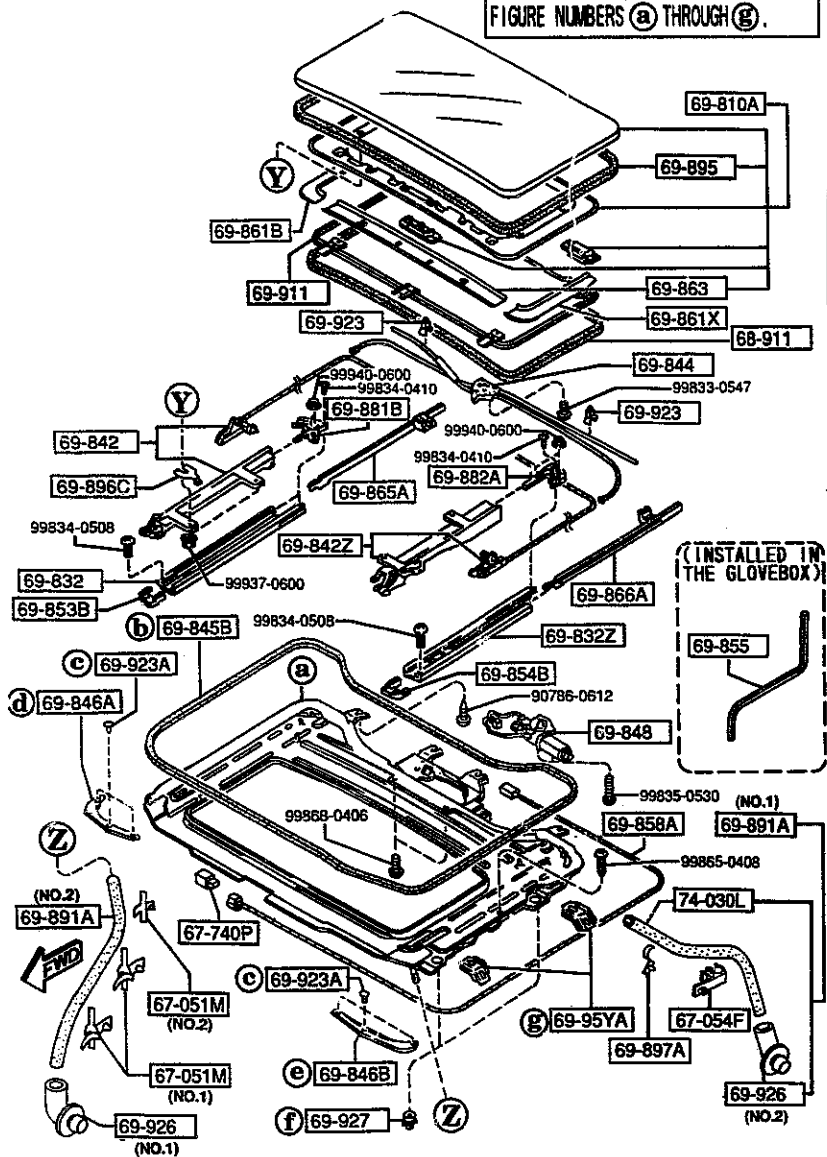
1995-03

6330 SUNROOF
(GLASS SUN-RF)

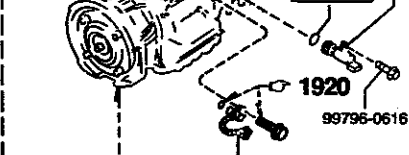
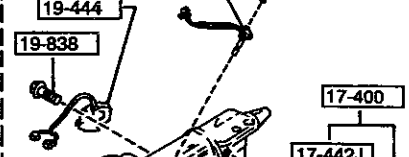
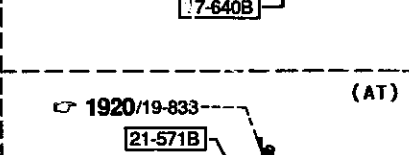
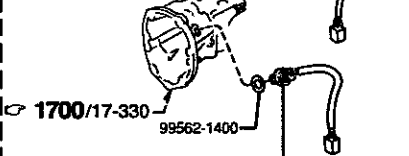
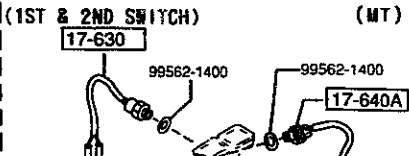
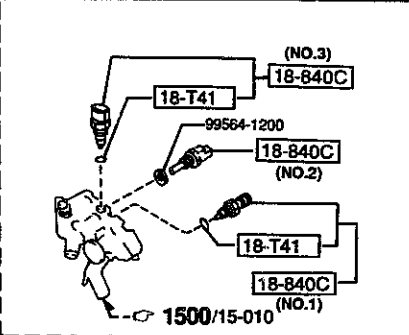
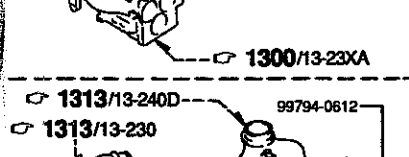
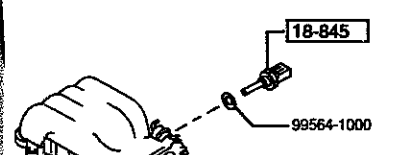
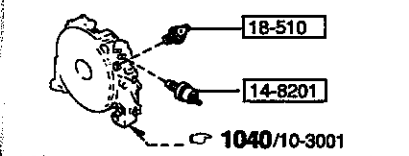
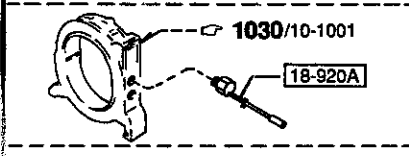
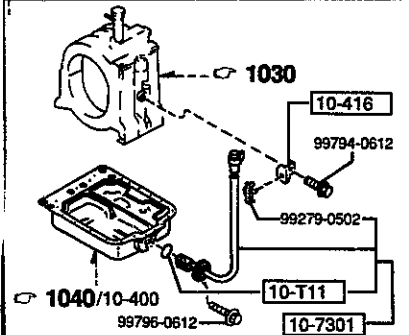
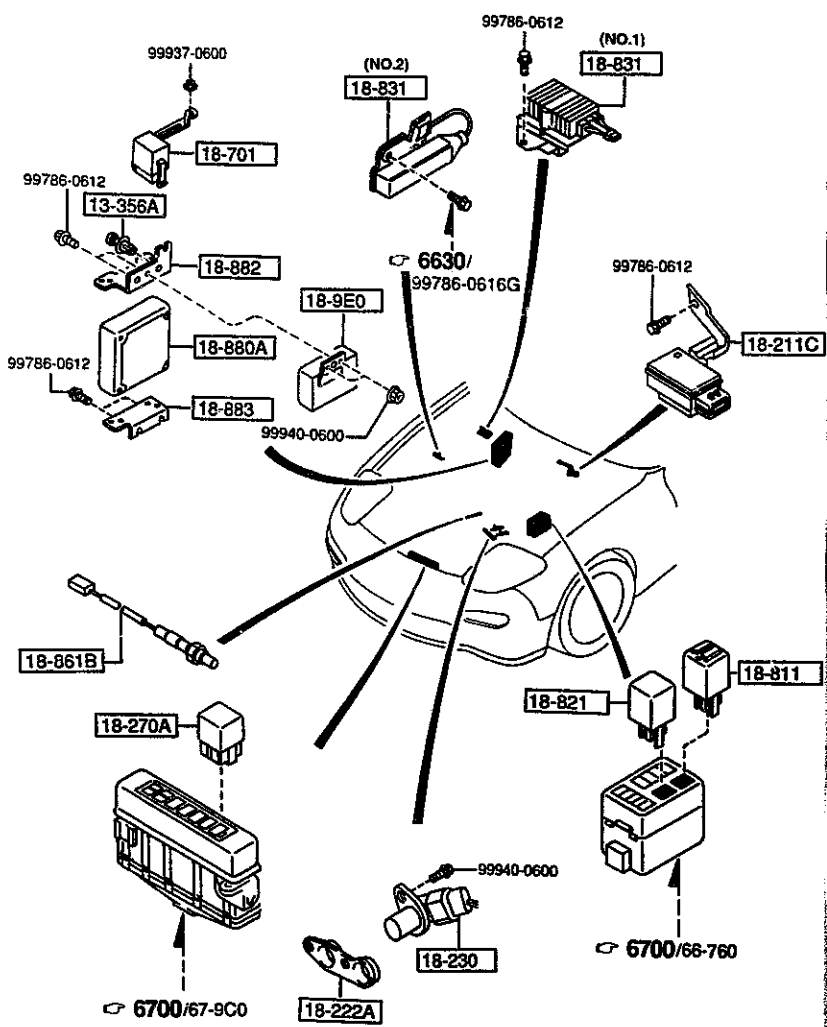
(2/2)

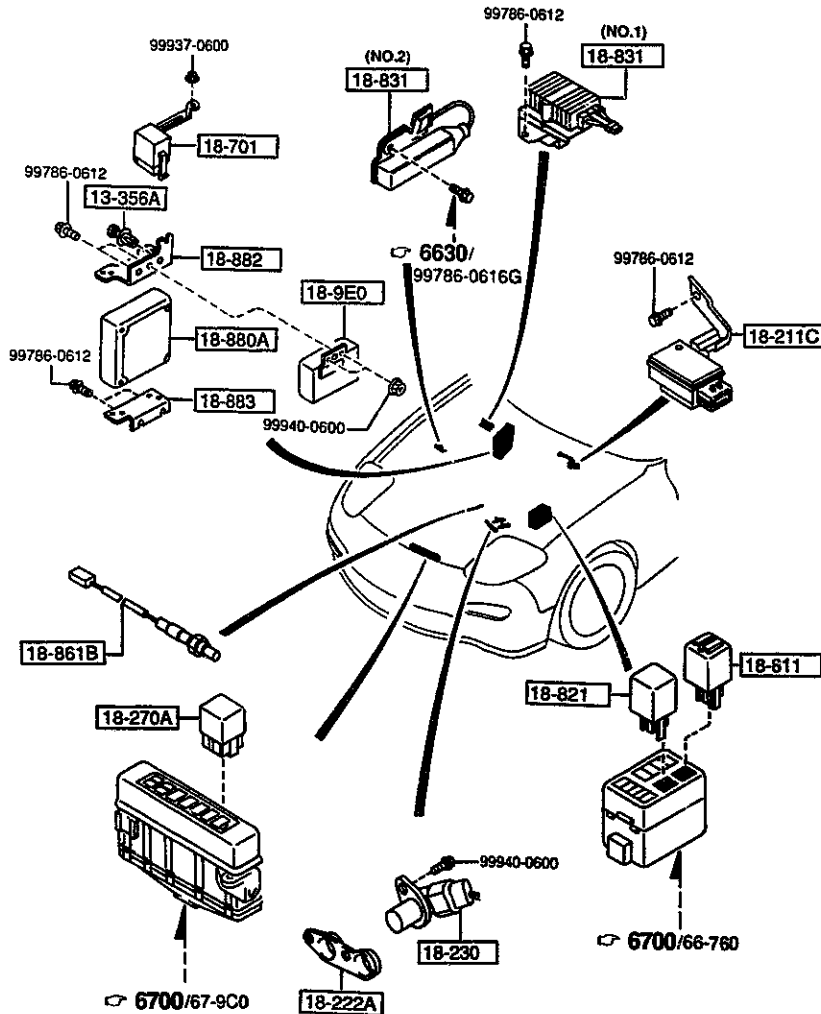
NOTE

(a)-(g) → [69-840A]
THE D-CODE OF [69-840A] CONSISTS OF
FIGURE NUMBERS (a) THROUGH (g).



PART NO.	QTY	MODEL/RESTRICTION	MODEL/RESTRICTION	MODEL/RESTRICTION	FROM-TO
CONT'D FD01-69-842	4				
↑-----↑ 74-030L ↓-----↓		HOSE, DRAIN-REAR			
FD04-69-922	2				

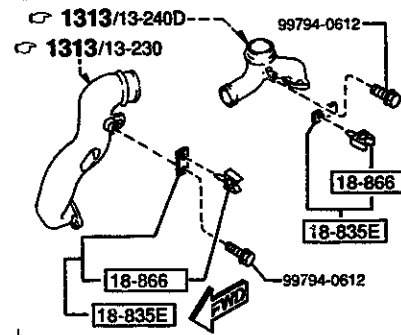
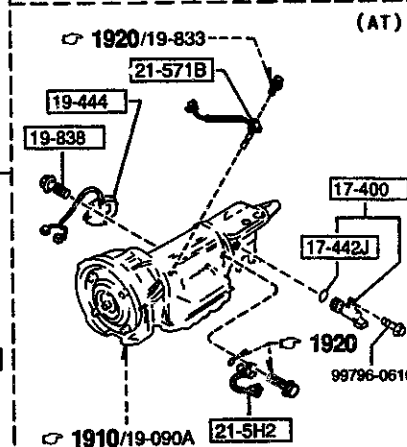
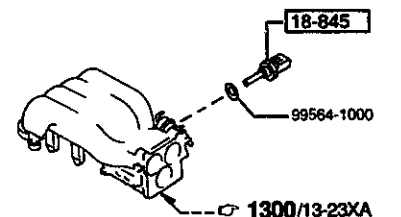
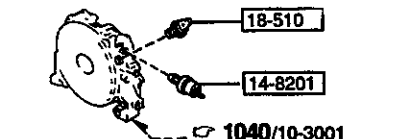
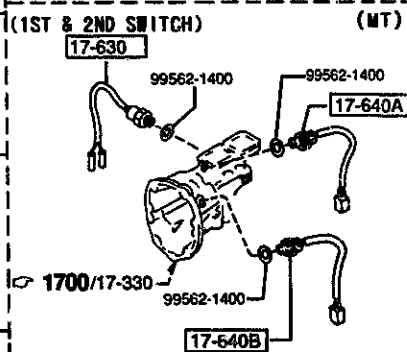
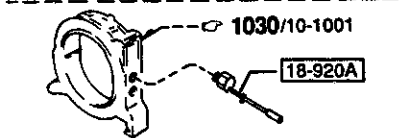
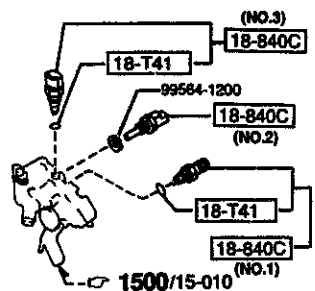
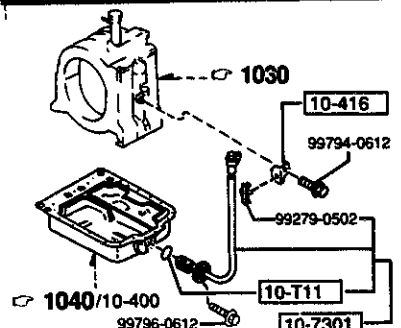




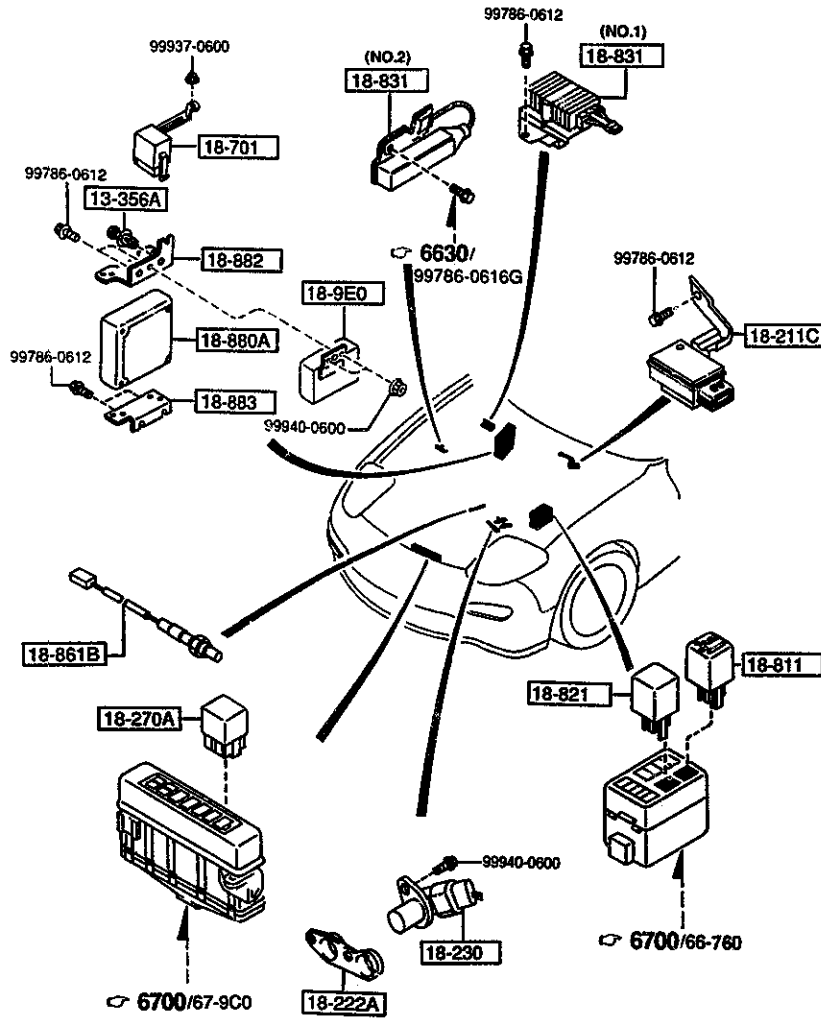
PART NO.	QTY	MODEL/RESTRICTION	MODEL/RESTRICTION	MODEL/RESTRICTION	FROM-TO
10-T11 N326-10-T11	1	RING, 'O'-OIL LEVEL S ENSOR			
10-416 N3A1-10-416	1	PLATE, LOCKING			
10-7301 N3A1-10-470	1	SENSOR, OIL LEVEL			
13-356A N304-13-356B	1	RIVET			
14-8201 N3A1-14-820	1	GAUGE UNIT, OIL PRES.			
17-400 *BV65-17-400	1 (AT)	GEAR SET, DRIVEN-SPEE D			
17-442J *1011-17-443	1 (AT)	RING, 'O'			
17-630 R506-17-640	1 (1ST & 2ND SWITCH) (MT)	SWITCH			
17-640A R507-17-640	1 (MT)	SWITCH, PARK & NEUTRA L			
17-640B R508-17-640	1 (MT)	SWITCH, BACK UP LAMP			
18-T41 F8B5-18-T41	1 (MT)	RING, 'O'-WATER THERM O SW.			
18-T41 F8B5-18-T41	2 (AT)				
18-211C N3A1-18-211	1	SENSOR, M. A. P.			
18-222A N3A1-18-222	1	PLATE, SENSOR			

6600 SWITCHES & RELAYS (ENGINE)

(2/2)



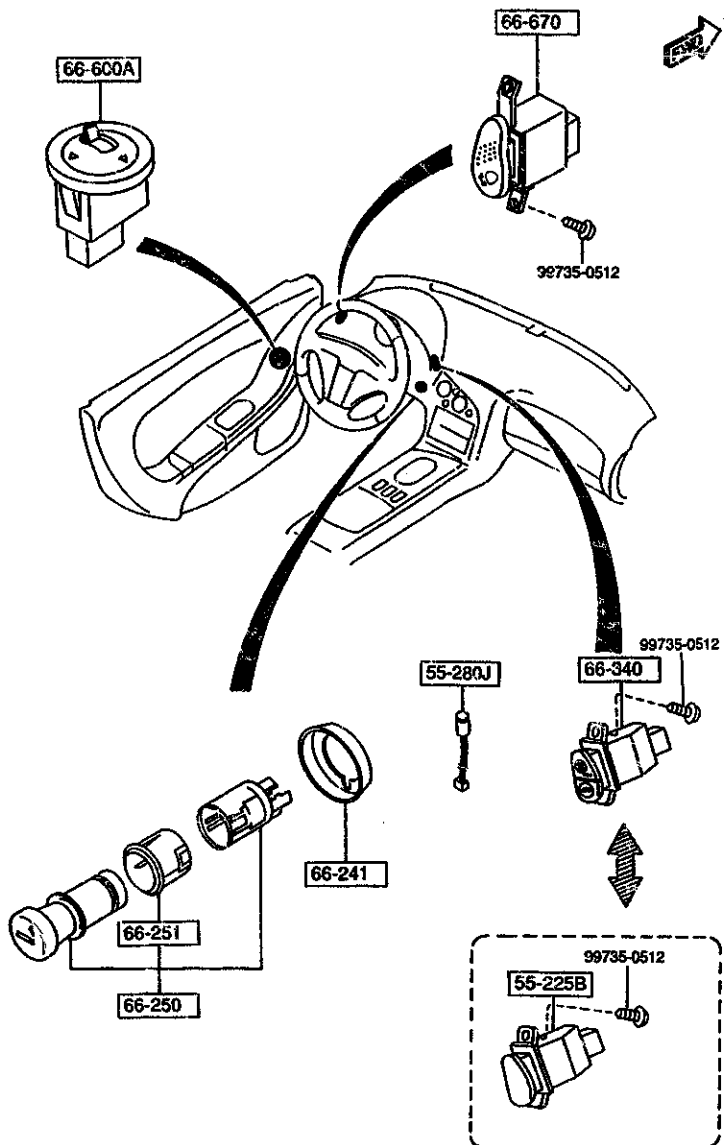
PART NO.	QTY	MODEL/RESTRICTION	MODEL/RESTRICTION	MODEL/RESTRICTION	FROM-TO
18-250		SENSOR, CRANKSHAFT POS.			
N3A1-18-221	2				
18-270A		RELAY, FUEL PUMP			
NF01-18-821	1				
18-510		UNIT, HEAT GAUGE PANASONIC			
JE15-18-51X	1				
18-510		UNIT, HEAT GAUGE PANASONIC			
KL01-18-51X	1				
18-701		CONTROL UNIT			
N3A1-18-701	1				
18-811		RELAY, MAIN DENSO			
JE16-18-811	1				
18-821		RELAY, FUEL PUMP			
NF02-18-821A	1				
18-831		RESISTOR			
N3A1-18-831	1	(ILLUST. NO.1)			
N3A2-18-831A	1	(ILLUST. NO.2) (AT)			
18-835E		BRACKET, BOOST SENSOR			
N3A1-18-835	2				
18-840C		SENSOR, TEMP.-ENG. COOLANT DENSO			
F202-18-840A	1	(ILLUST. NO.1)			
NF02-18-840	1	(ILLUST. NO.2)			
N370-18-840	1	(ILLUST. NO.3) (AT)			
18-845		SENSOR, IN. AIR TEMP			
N3A1-18-845	1				
18-861B		SENSOR, OXYGEN			
N3A1-18-861A	1				



PART NO.	QTY	MODEL/RESTRICTION	MODEL/RESTRICTION	MODEL/RESTRICTION	FROM-TO
18-866		CLIP			
E5A1-18-867	2				
18-880A		MODULE, POWERTRAIN CO NTROL			
N3A3-18-881B	1	(CALIF.) (MT)			
N3A4-18-881C	1	(CALIF.) (AT)			
N3C1-18-881A	1	(FED.) (MT)			
N3C2-18-881A	1	(FED.) (AT)			
18-882		BRACKET, CONTROL UNIT			
N3A2-18-882	1				
18-883		BRACKET, CONTROL UNIT			
N3A2-18-883	1				
18-9E0		MODULE, PWT. CONTROL			
N3A2-18-9E1B	1	(AT)			
18-920A		SENSOR, KNOCK			
N3A1-18-921	1				
19-444		SWITCH, INHIBITOR			
BV65-19-444A	1	(AT)			
19-838		BOLT-HEX, HD WASHER			
BV11-19-429	3	(AT)			
21-5H2		SENSOR, REVOLUTION			
BV65-21-5H2	1	(AT)			
21-571B		GENERATOR, SPEED PULS E			
BV65-21-5H1	1	(AT)			

6610

DASHBOARD SWITCHES



6610 -1 * DASHBOARD SWITCHES

PART NO.	QTY	MODEL/RESTRICTION	MODEL/RESTRICTION	MODEL/RESTRICTION	FROM-TO
55-225B		COVER, HOLE			
FD03-55-225	1	(HARD SUSP)			
00	INT-	FE5 FE6 FE7 BLACK			
55-280J		BULB			
B456-60-223	1				
66-241		PROTECTOR			
FD01-66-241	1				
66-250		LIGHTER, CIGAR			
P100-66-250	1				
66-251		RING, ILLUMINATION			
UB40-66-251	1				
66-340		SWITCH, MAIN			
FD01-66-340	1	(NOR. SUSP)			
66-600A		SWITCH, RMT. MIRROR			
FD01-66-600A	1				
66-670		SWITCH, RETRACTOR			
FD01-66-670	1				

AUFA05

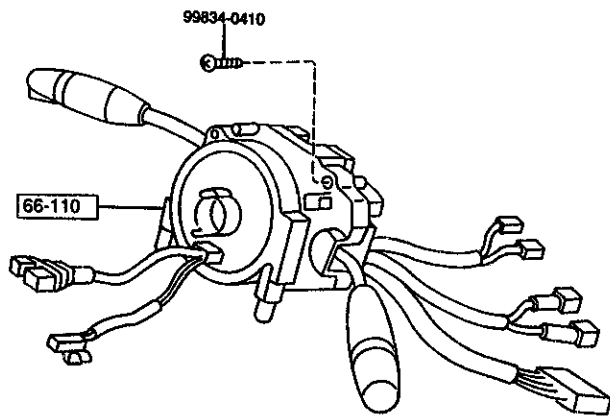
CAT. AUFA05-03

1995-03

3-J 6

6611 COMBINATION SWITCH

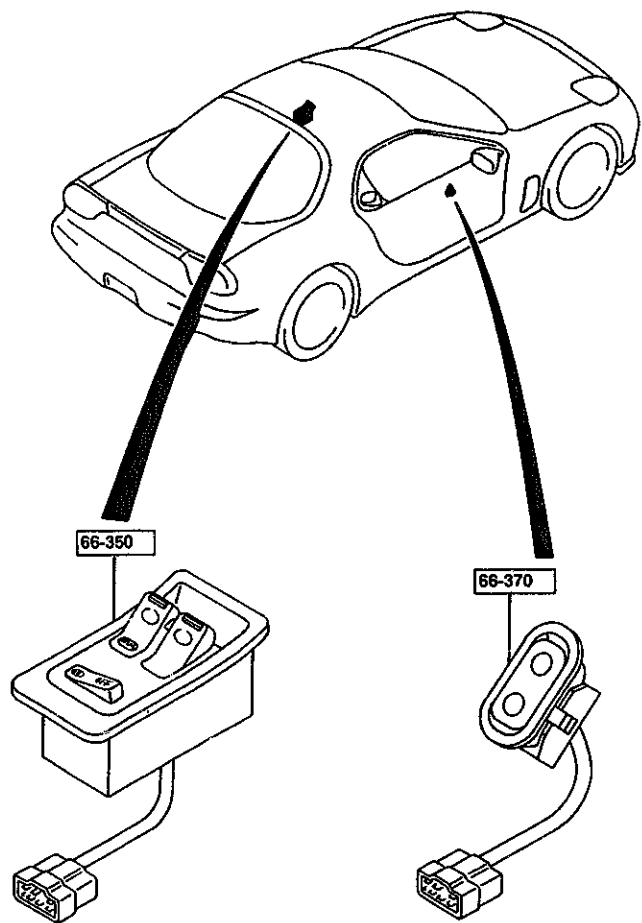
6611 -1 * COMBINATION SWITCH



The inner parts of the combination switch with air bag are not serviced separately.

PART NO.	QTY	MODEL/RESTRICTION	MODEL/RESTRICTION	MODEL/RESTRICTION	FROM-TO
66-110		SWITCH, COMBINATION			
FD01-66-120E	1	(W/O SUN-RF) (STEEL SUN-RF)			
FD04-66-120D	1	(GLASS SUN-RF)			

6615 POWER WINDOW SWITCHES



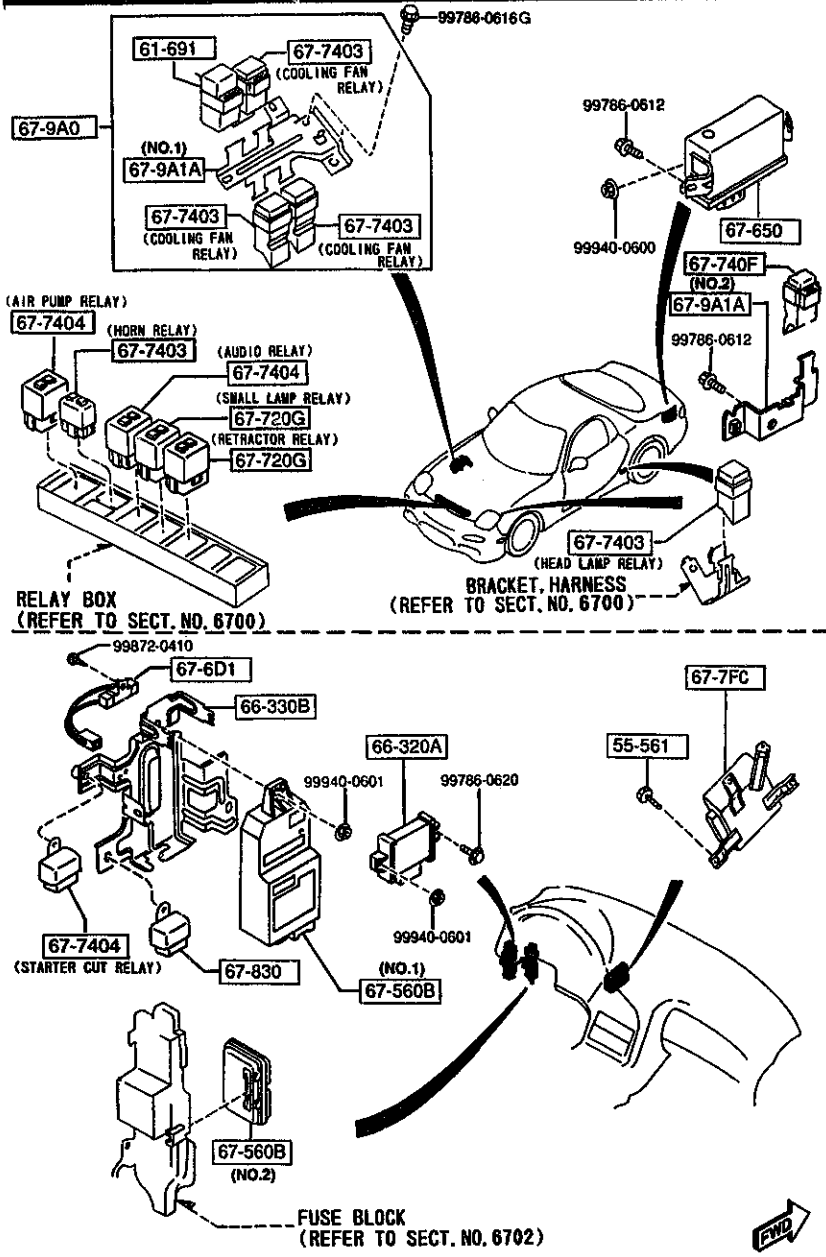
PART NO.	QTY	MODEL/RESTRICTION	MODEL/RESTRICTION	MODEL/RESTRICTION	FROM-TO
66-350 FD14-66-350C	1	SWITCH, POWER WINDOW			
66-370 FD01-66-370A	1	SWITCH, POWER WINDOW			

AUFA05

CAT. AUFA05-03

1995-03

6630 RELAYS & UNIT (BODY)



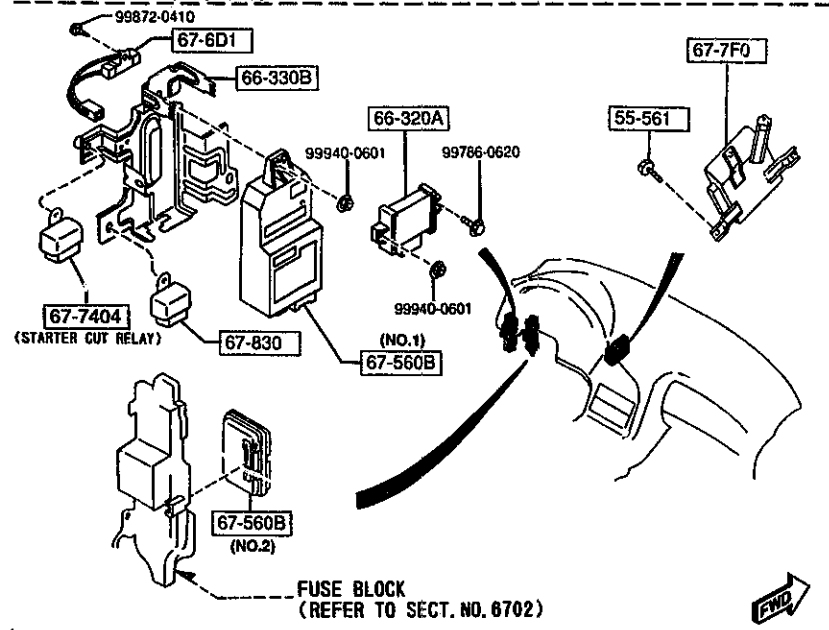
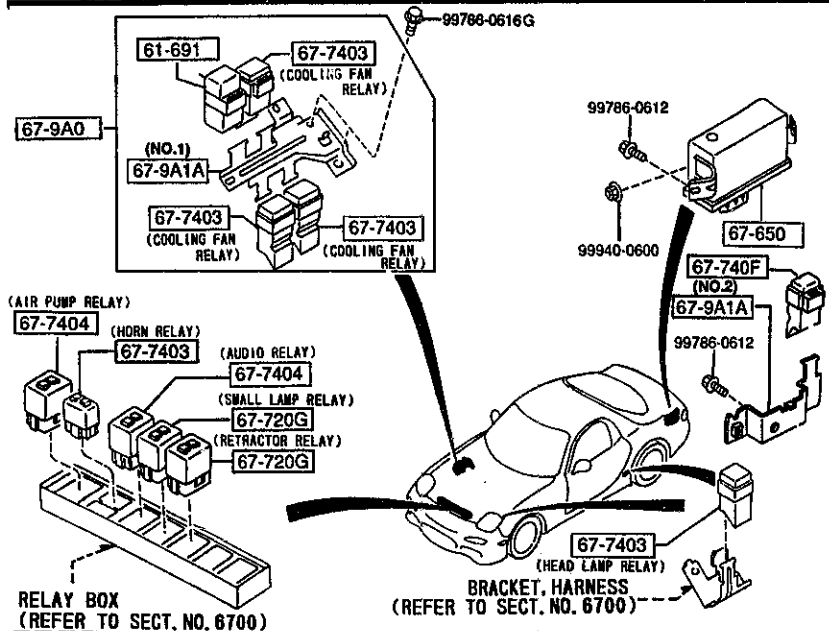
PART NO.	QTY	MODEL/RESTRICTION	MODEL/RESTRICTION	MODEL/RESTRICTION	FROM-TO
55-561	3	BOLT, INST. PANEL			
B455-55-561					
61-691	1	RELAY			
H380-61-690A					
66-320A	1	UNIT, A.C. CONTROL			
FD01-66-320A		(NDR. SUSP)			
66-330B	1	BRACKET, A.C.C. BOX			
FD01-67-BCXB					
67-560B	1	UNIT, CENTRAL PROCESSING			
FD01-67-580		(ILLUST. NO. 2)			
		(MT)			
FD02-67-580	1	(ILLUST. NO. 2)			
		(AT)			
FD01-67-560A	1				-4401
A (FD01-67-560B)					
FD01-67-560B	1	(ILLUST. NO. 1)			4401-
		(W/O DAY RUNNING LAMP)			
67-6D1	1	RESISTOR, INTERLOCK			
M020-67-6D1		(AT)			
67-650	1	BOX, CONTROL-A. B. S.			
FD03-67-650					
67-7F0	1	UNIT, DIAGNOSIS-AIR BAG			
FD15-67-7F0					
67-720G	2	RELAY, TRANSFER			
KA32-67-720		(RETRACTOR RELAY)			
		(SMALL LAMP RELAY)			
67-740F	1	CONTROL, COOLANT FAN			
H450-67-740					
67-7403	1	RELAY, N.O.			
GE10-67-730		(HEAD LAMP RELAY)			
KE10-67-730	3	(COOLING FAN RELAY)			
4401 FB333*-303310					

AUFA05

CAT. AUFA05-03

1995-03

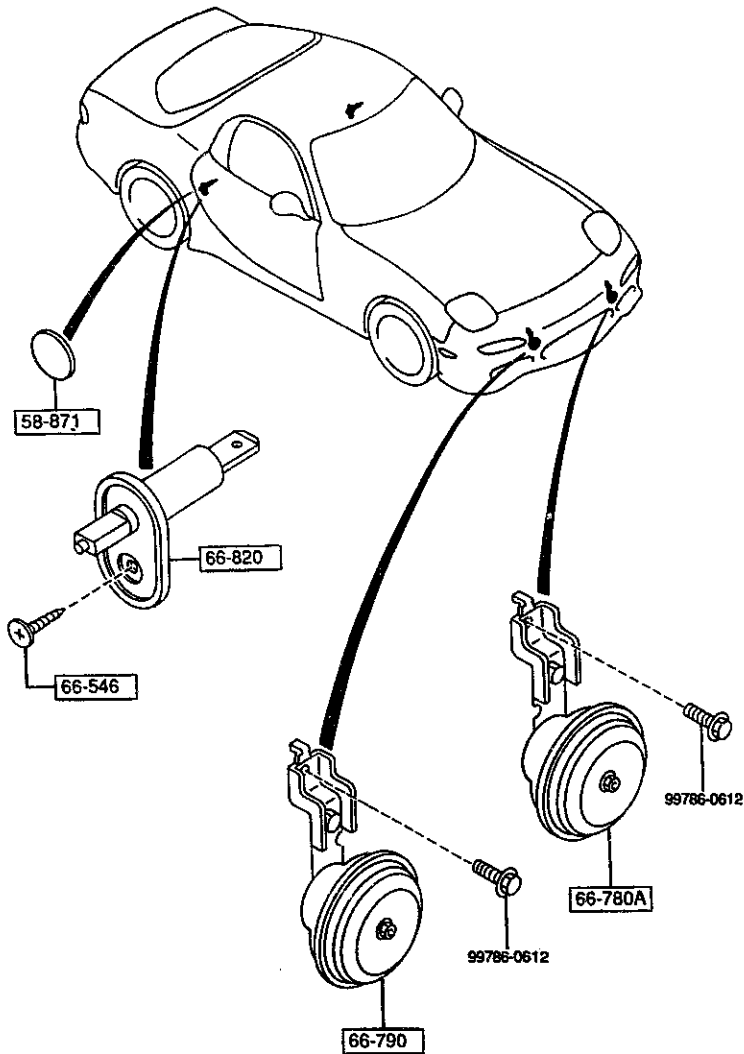
6630 RELAYS & UNIT (BODY)



PART NO.	QTY	MODEL/RESTRICTION	MODEL/RESTRICTION	MODEL/RESTRICTION	FROM-TO
CONT'D					
LA10-67-740	1	10A (HORN RELAY)			
67-7404		RELAY, TRANSFER			
HD22-67-740	1	(AIR PUMP RELAY) (W/O SUN-RF) (STEEL SUN-RF)			
HD22-67-740	2	(AIR PUMP RELAY) (AUDIO RELAY) (GLASS SUN-RF)			
H302-67-740	20A	(STARTER CUT RELAY)			
67-830		UNIT, DOOR LOCK & TIMER			
FC33-67-830	1				
67-9A0		BRACKET & RELAY			
FD01-67-9B0A	1				
67-9A1A		BRACKET, RELAY			
FD01-67-9B1A	1	(ILLUST. NO.1)			
F100-67-9C1A	1	(ILLUST. NO.2)			

6635 DOOR SWITCH & HORNS

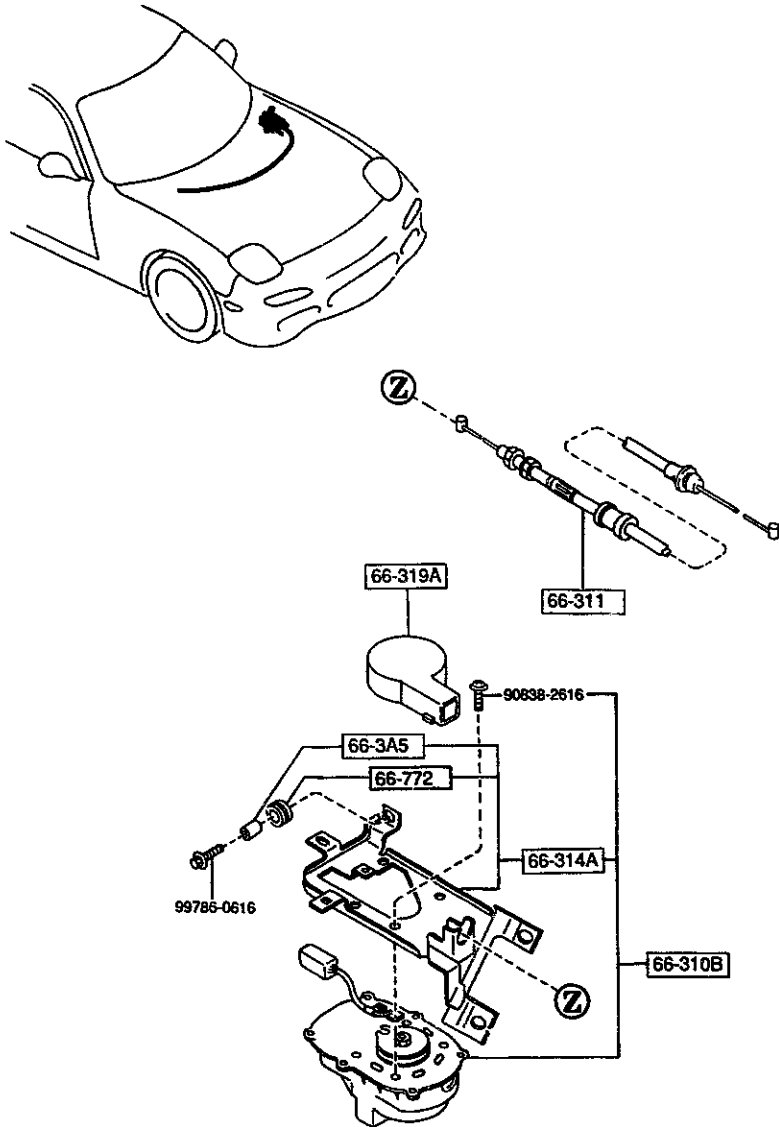
6635 -1 * DOOR SWITCH & HORNS



PART NO.	QTY	MODEL/RESTRICTION	MODEL/RESTRICTION	MODEL/RESTRICTION	FROM TO
58-871 EA01-66-547A	2	PROTECTOR, DOOR SWITCH			
66-546 LA01-66-546	2	SCREW, DOOR SWITCH			
66-780A F100-66-780A	1	HORN, HIGH TONE			
66-790 FD01-66-790A	1	HORN, LOW TONE			
66-820 B455-66-540	2	SWITCH, DOOR			

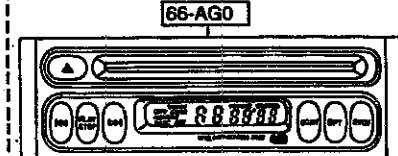
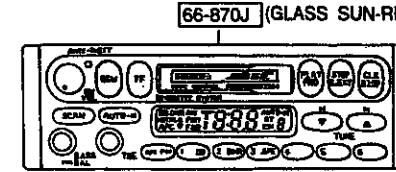
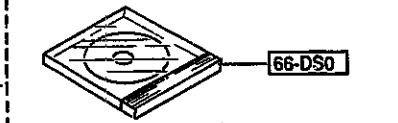
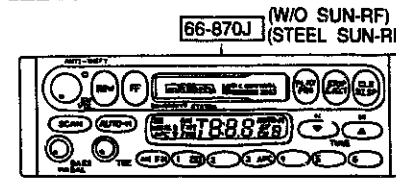
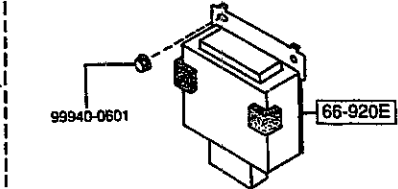
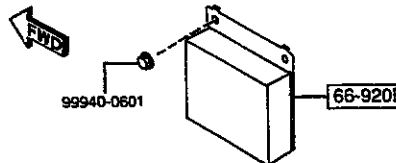
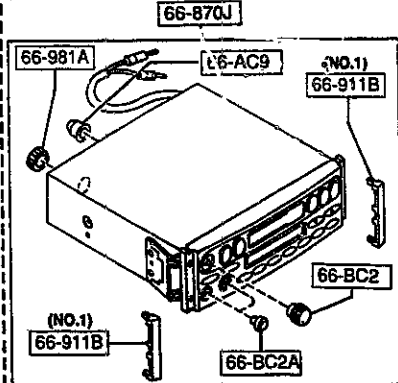
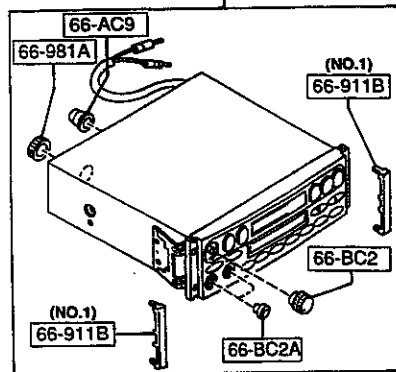
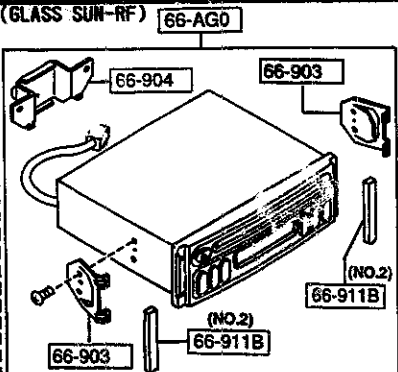
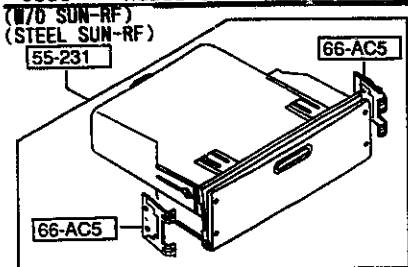
6640 -1 * AUTO CRUISE CONTROL SYSTEM

6640 AUTO CRUISE CONTROL SYSTEM



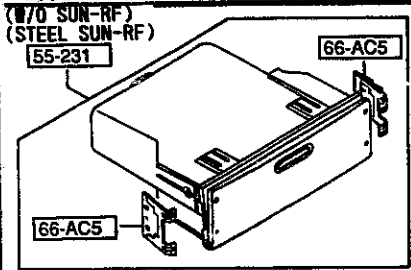
PART NO.	QTY	MODEL/RESTRICTION	MODEL/RESTRICTION	MODEL/RESTRICTION	FROM-TO
66-3A5		SPACER, ACTUATOR			
UE54-66-3A5	3	(NOR. SUSP)			
66-310B		ACTUATOR, A.C.C.			
FD01-66-310C	1	(NOR. SUSP)			
66-311		WIRE, A.C.C.			
FD01-66-311B	1	(NOR. SUSP)			
66-314A		BRACKET, A.C.C.			
FD02-66-3AXC	1	(NOR. SUSP)			
66-319A		COVER, ACTUATOR			
GN55-66-319D	1	(NOR. SUSP)			
66-772		GROMMET			
UE54-66-3A4	3	(NOR. SUSP)			

6680 AUDIO SYSTEMS (RADIO & TAPE DECK)

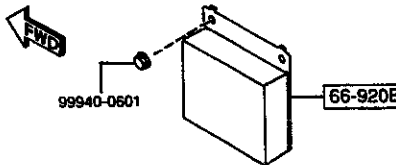
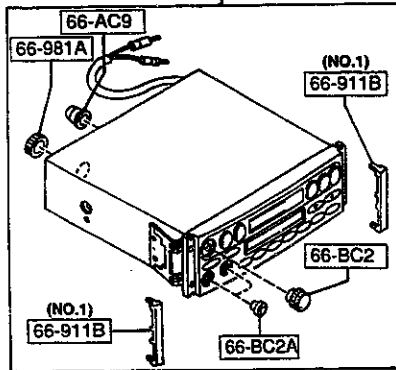


PART NO.	QTY	MODEL/RESTRICTION	MODEL/RESTRICTION	MODEL/RESTRICTION	FROM-TO
55-231		ORNAMENT, STEREO			
FD01-66-9M0D	1	(W/O SUN-RF) (STEEL SUN-RF)			
66-AC5		SPRING, AUDIO			
E016-66-AC5	2	(W/O SUN-RF) (STEEL SUN-RF)			
66-AC9		RUBBER, REAR-ET/ED CD MBI.			
FD01-66-AC9	1				
66-AG0		PLAYER, COMPACT DISC			
FD04-66-9G0B	1	(GLASS SUN-RF)			
66-BC2		KNOB, VOLUME-TUNER & DECK			
FD01-66-BC1	1				
66-BC2A		KNOB, BASS/TREBLE			
FD01-66-BC2	2				
66-DS0		CD SOFT			
F105-66-DS0	1				
66-870J		AUDIO SET			
FD01-66-9C0B	1	(W/O SUN-RF) (STEEL SUN-RF)			
FD04-66-9C0B	1	(GLASS SUN-RF)			
66-903		BRACKET, TUNER			
*FD04-66-AW1	2	(GLASS SUN-RF)			
66-904		BRACKET, REAR			
FD04-66-AW6	1	(GLASS SUN-RF)			
66-911B		COVER, HOLE			
FD01-66-BC4	2	(ILLUST. NO.1)			
FD04-66-BC4	2	(ILLUST. NO.2) (GLASS SUN-RF)			
66-920E		AMP, POWER-FRONT			
FD01-66-920A	1	(W/O SUN-RF) (STEEL SUN-RF)			

6680 AUDIO SYSTEMS (RADIO & TAPE DECK)



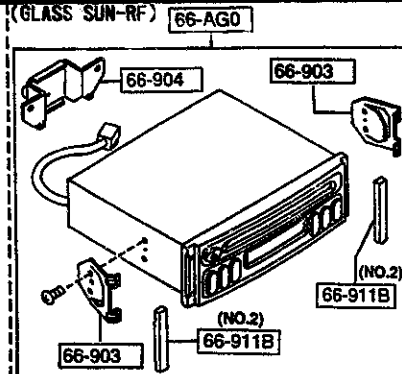
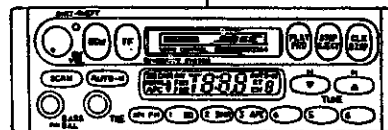
66-870J



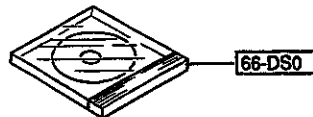
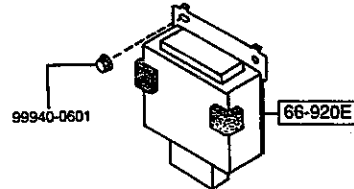
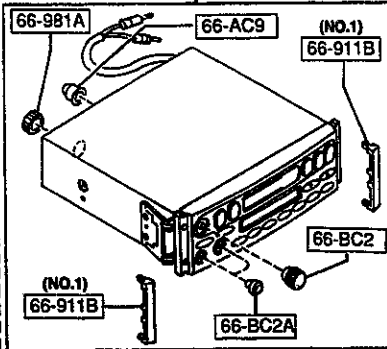
66-870J (W/O SUN-RF)
(STEEL SUN-RF)



66-870J (GLASS SUN-RF)



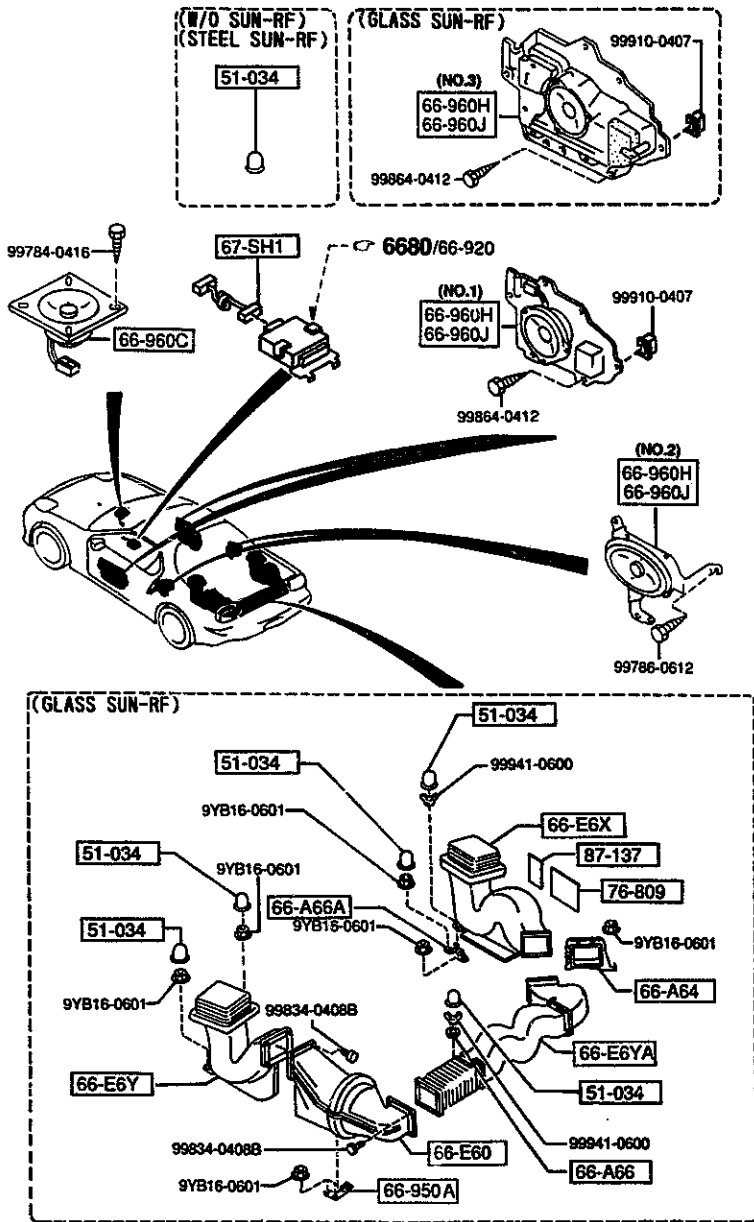
66-870J



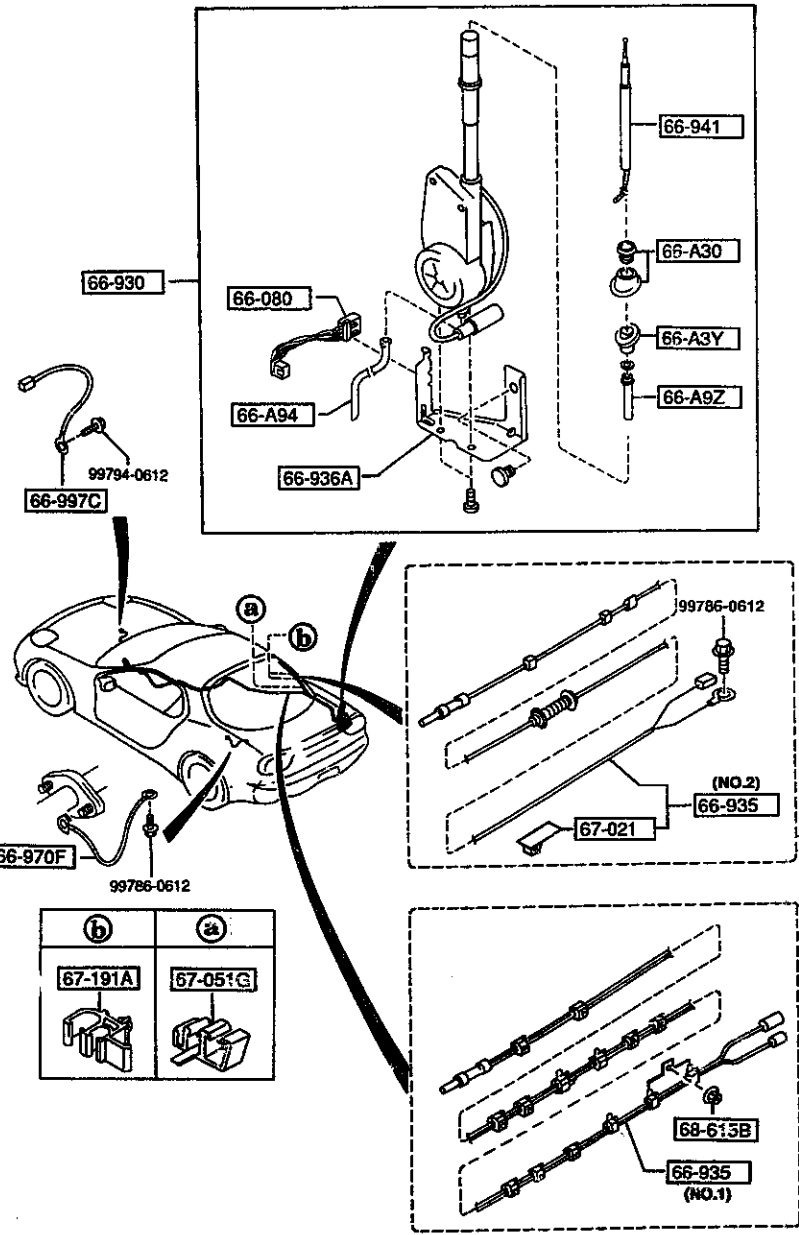
66-AG0



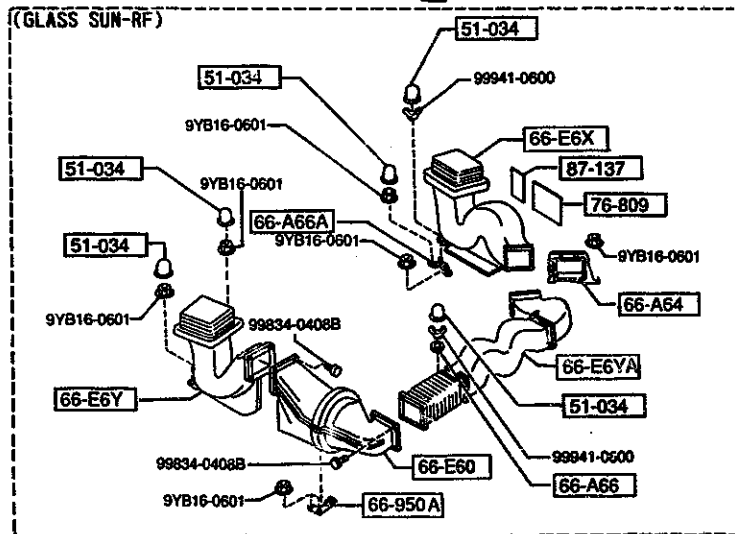
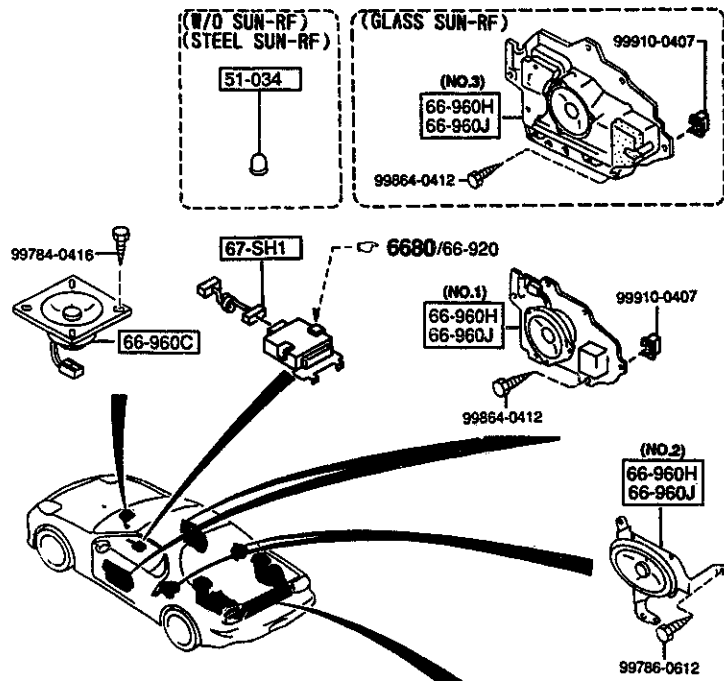
PART NO.	QTY	MODEL/RESTRICTION	MODEL/RESTRICTION	MODEL/RESTRICTION	FROM-TO
CONT'D FD04-66-920A	1	(GLASS SUN-RF)			
66-981A		CONNECTOR, SHORT			
FD01-66-BC9	1				



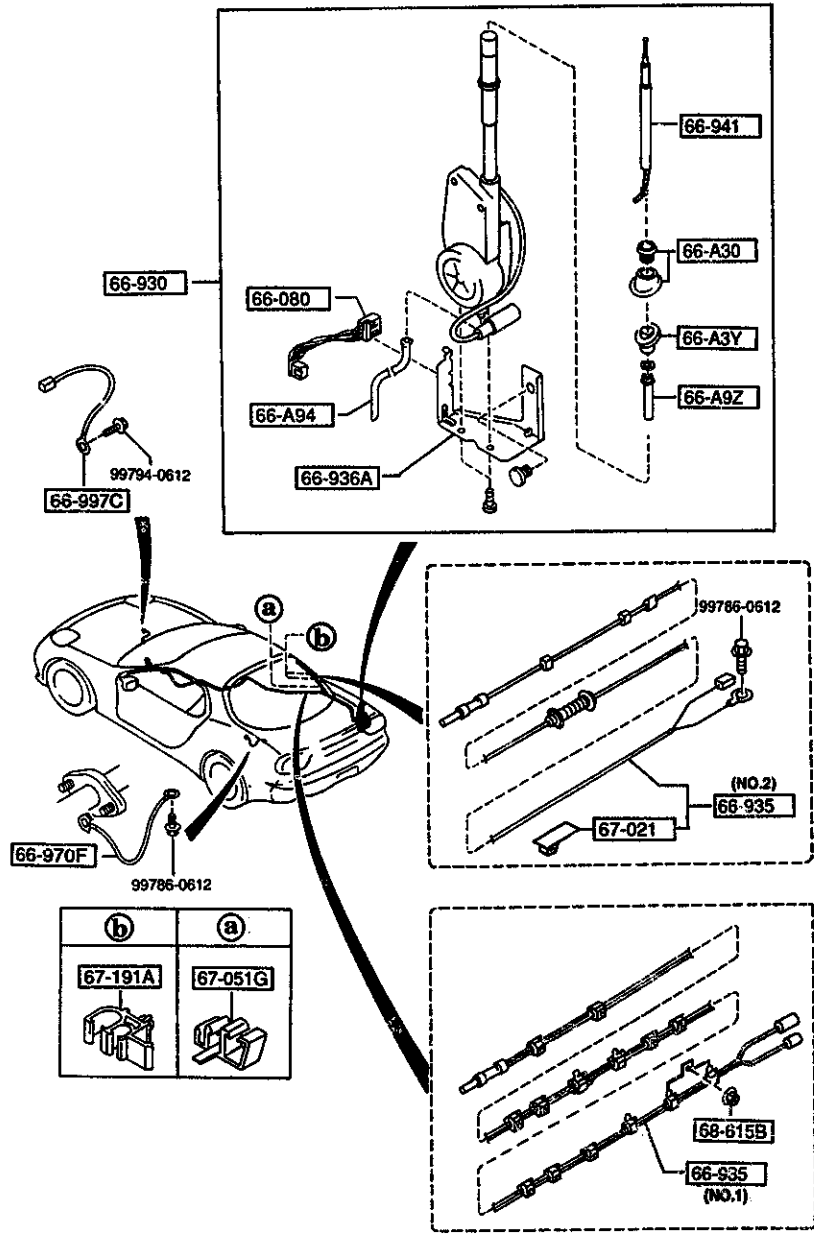
AUFA05



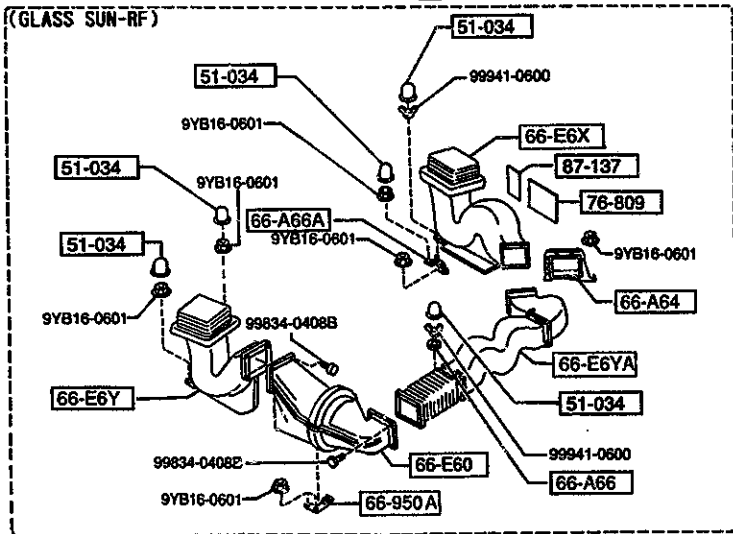
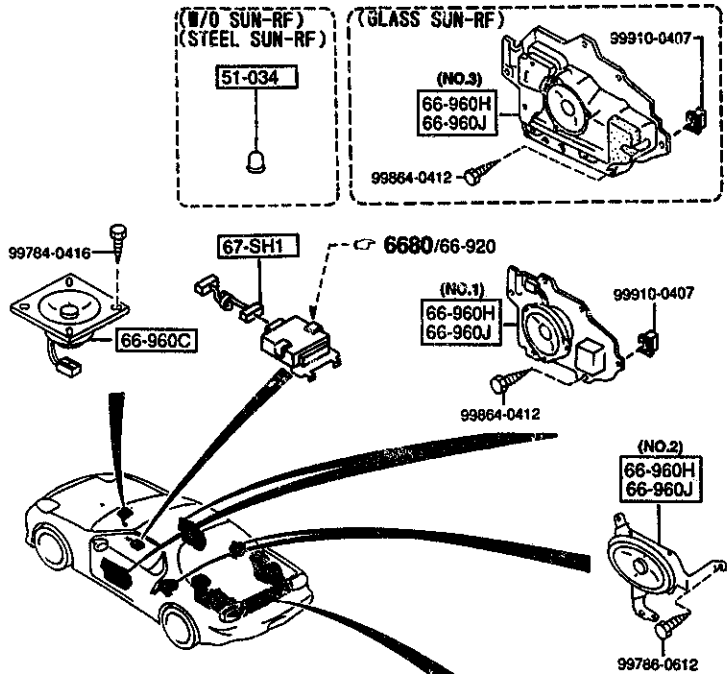
AUFA05



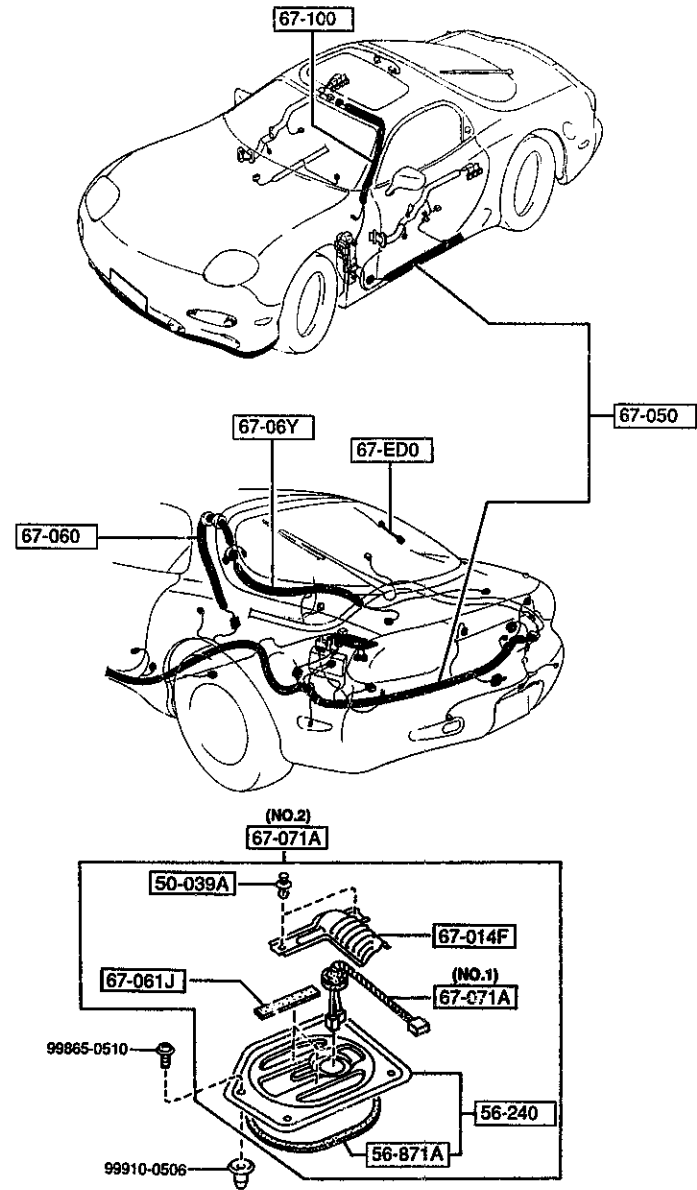
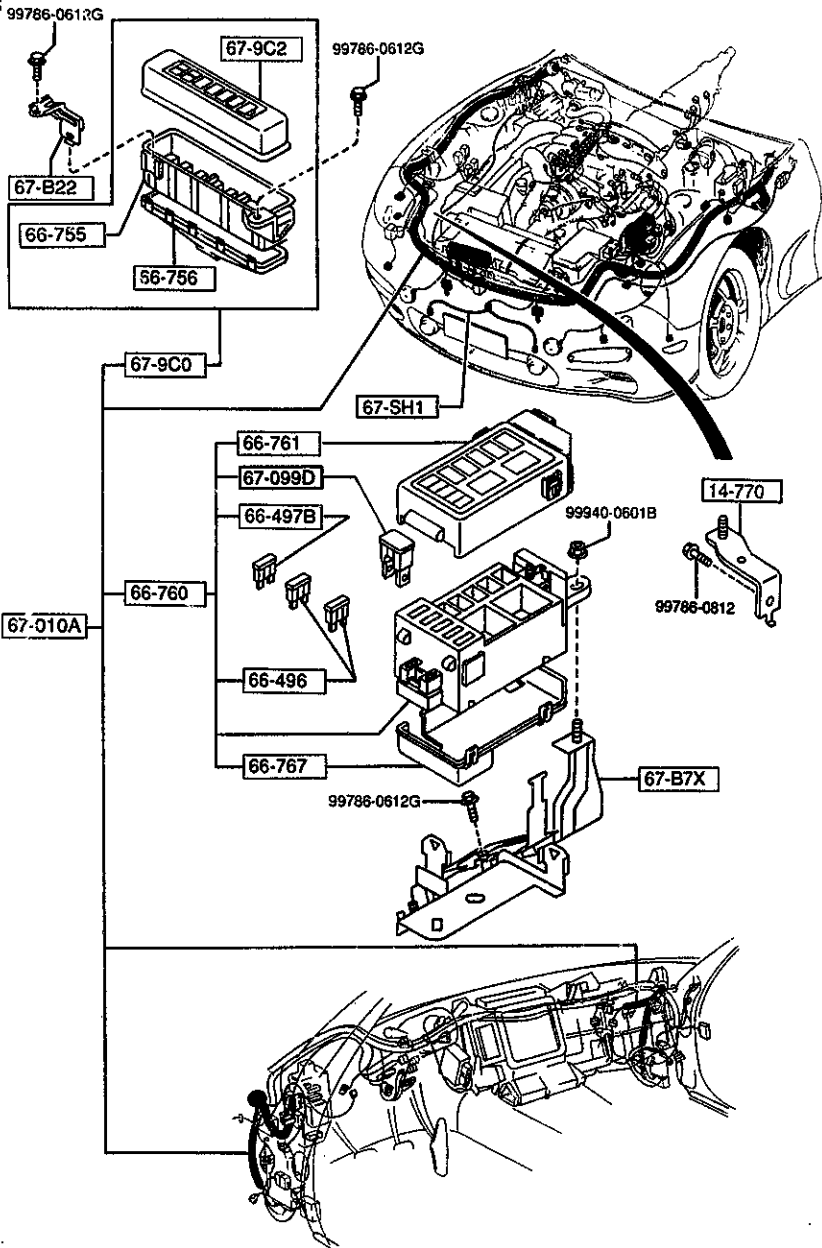
PART NO.	QTY	MODEL/RESTRICTION	MODEL/RESTRICTION	MODEL/RESTRICTION	FROM-TO
51-034		CAP			
H380-51-013	5	(GLASS SUN-RF)			
H380-51-013	8	(W/D SUN-RF) (STEEL SUN-RF)			
66-A3Y		PLATE, EARTH-MOTOR AN TENNA			
FD01-66-A3Z	1				
66-A30		NUT, MOUNTING-ANTENNA			
FD01-66-A9Y	1				
66-A64		BRKT, JOINT-SPEAKER D UCT			
FD10-66-A64A	1	(GLASS SUN-RF)			
66-A66		WASHER, SPEAKER			
FD09-66-A66	1	(GLASS SUN-RF)			
66-A66A		BRACKET, DUCT SPEAKER			
FD10-66-A66	1	(GLASS SUN-RF)			
66-A9Z		INSULATOR, ROD-ANTENN A			
FD01-66-A9Z	1				
66-A94		PIPE, DRAIN-ANTENNA			
FD01-66-A90	1				
66-E6X		DUCT 'A', REAR SPEAKER			
FD10-66-E6XC	1	(GLASS SUN-RF)			
66-E6Y		DUCT 'B', RR SPEAKER			
FD10-66-E6ZC	1	(GLASS SUN-RF)			
66-E6YA		DUCT 'C', RR SPEAKER			
FD10-66-E6YC	1	(GLASS SUN-RF)			
66-E60		SPEAKER, REAR			
FD10-66-960B	1	(GLASS SUN-RF)			
66-080		CORD			
FD01-66-D10	1				



PART NO.	QTY	MODEL/RESTRICTION	MODEL/RESTRICTION	MODEL/RESTRICTION	FROM-TO
66-930		ANTENNA, RADIO			
FD01-66-930B	1				
66-935		FEEDER-ANTENNA			
FD01-66-940B	1	(ILLUST. NO.1)			
FD02-66-940C	1	(ILLUST. NO.2)			
66-936A		BRKT, MOTOR-ANTENNA			
FD01-66-A9X	1				
66-941		POLE, ANTENNA			
FD01-66-A3X	1				
66-950A		BRACKET(L), SPEAKER			
FD10-66-A65A	1	(GLASS SUN-RF)			
66-960C		SPEAKER, FRONT			
FD01-66-960A	1	(W/O SUN-RF) (STEEL SUN-RF)			
FD04-66-960A	1	(GLASS SUN-RF)			
66-960H		SPEAKER(R), LOUD-DOOR			
FD15-66-96X	1	(ILLUST. NO.1) (W/O SUN-RF) (STEEL SUN-RF)			
FD17-66-96X	1	(ILLUST. NO.2) (W/O SUN-RF) (STEEL SUN-RF)			
FD09-66-960C	1	(ILLUST. NO.3) (GLASS SUN-RF)			
66-960J		SPEAKER(L), LOUD-DOOR			
FD15-66-96Y	1	(ILLUST. NO.1) (W/O SUN-RF) (STEEL SUN-RF)			
FD17-66-96Y	1	(ILLUST. NO.2) (W/O SUN-RF) (STEEL SUN-RF)			
FD08-66-960C	1	(ILLUST. NO.3) (GLASS SUN-RF)			
66-970F		CORD, EARTH			
FD01-66-997A	1				

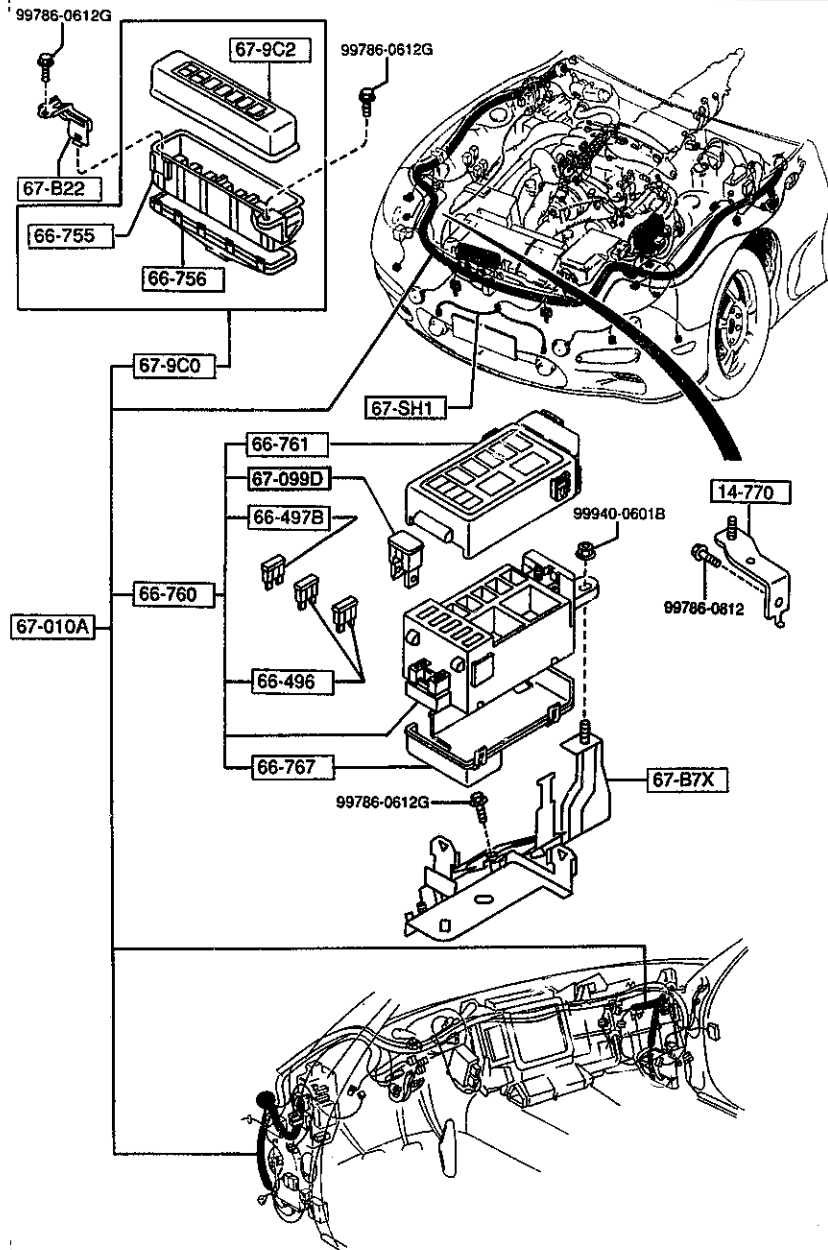


PART NO.	QTY	MODEL/RESTRICTION	MODEL/RESTRICTION	MODEL/RESTRICTION	FROM-TO
66-997C		CORD, EARTH-RADIO			
FD02-66-997A	1				
67-SH1		CORD, SHORT			
FD15-67-SH0	1				
67-021		CLIP			
B455-67-C21	1				
67-051G		CLIP			
B093-67-051	1				
67-191A		CLIP			
B467-67-CE1	2				
68-615B		NUT, FLANGE-CAP			
B100-68-615	1				
76-809		FELT			
FD08-66-E65A	1	(GLASS SUN-RF)			
87-137		FELT			
FD11-66-E65	2	(GLASS SUN-RF)			



6700 WIRING HARNESSES(FRONT & REAR)

(1/2)

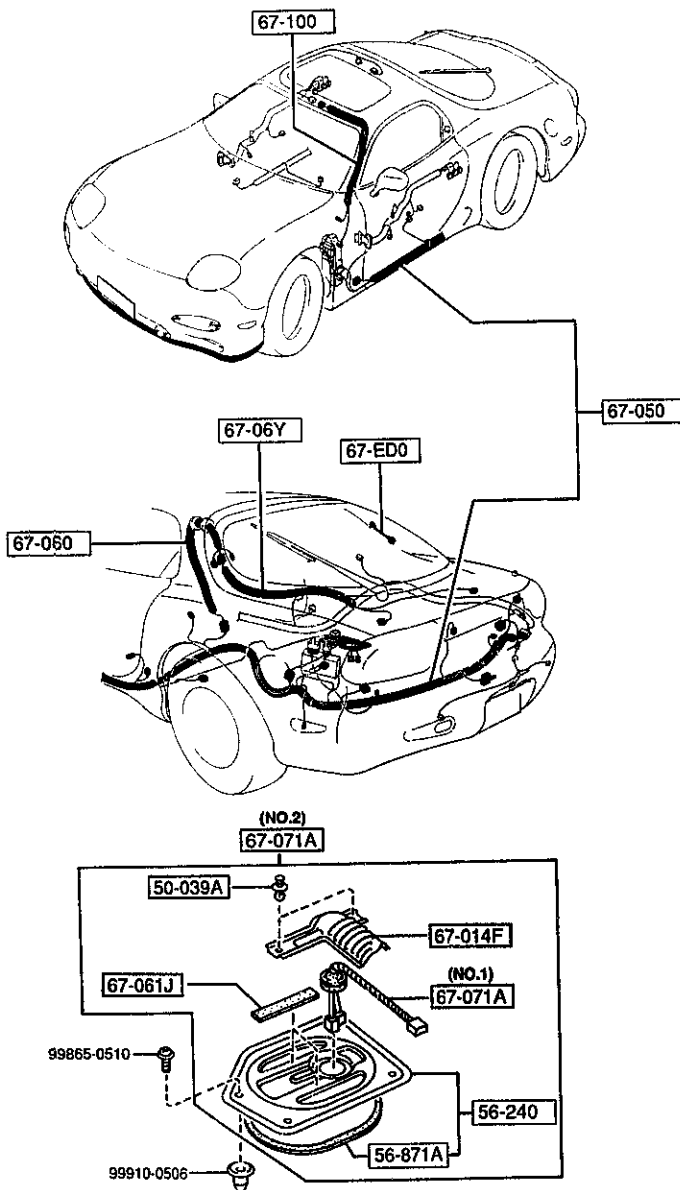


PART NO.	QTY	MODEL/RESTRICTION	MODEL/RESTRICTION	MODEL/RESTRICTION	FROM-TO
14-770 NSA2-14-770B	1	BRACKET,OIL COOLER ((MT) > (NOR.SUSP))			
50-039A F100-67-CH1	2	CLIP,PROTECTOR			
56-240 FD01-56-06XA	1	COVER			
56-871A FD01-56-06Z	1	RUBBER,SEAL			
66-496 99705-1115	2	FUSE(15A)			
66-497B 99705-1130	1	FUSE(30A)			
66-755 FD01-66-755C	1	CASE,RELAY BOX			
66-756 FD01-66-756	1	COVER,UNDER-RELAY BOX			
66-760 FD01-66-760B	1	BLOCK,MAIN FUSE			
66-761 FD01-66-761B	1	COVER,MAIN FUSE BLOCK			
66-767 FD01-66-767	1	COVER,UNDER-MAIN FUSE BLOCK			
67-B22 FD01-67-B12	1	BRACKET,HARNESS			
67-B7X FD05-67-B7XE	1	BRACKET,HARNESS			
67-ED0 FD01-67-ED0A	1	WIRE,EARTH-REAR DEFROSTER			

AUFA05

CAT. AUFA05-03

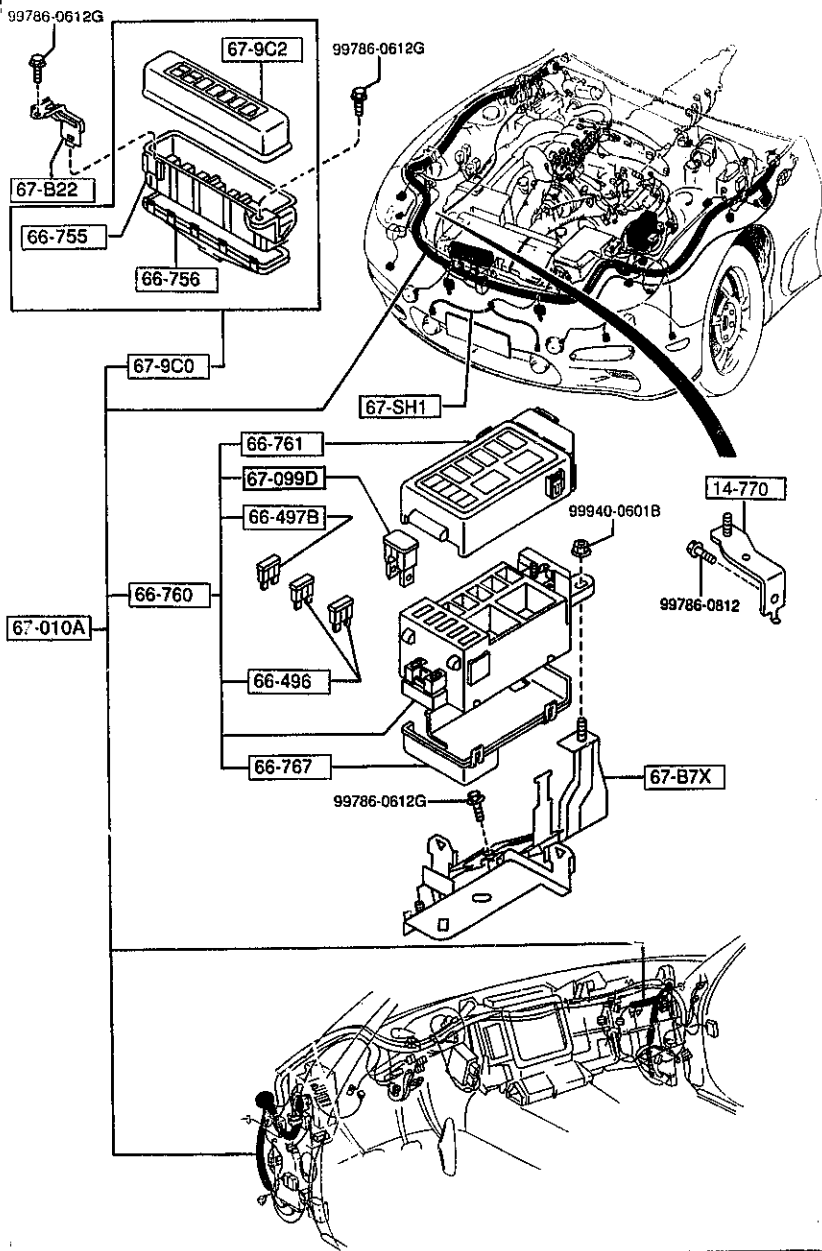
1995-03



PART NO.	QTY	MODEL/RESTRICTION	MODEL/RESTRICTION	MODEL/RESTRICTION	FROM-TO
67-SH1		CORD, SHORT			
F100-67-SH0D	1	(GLASS SUN-RF)			
67-010A		HARNESS, FRONT			
FD15-67-010C A (FD15-67-010F)	1				-3A01
FD17-67-010C A (FD17-67-010F)	1				-3A01
FD15-67-010F	1	(MT)			3A01-
FD17-67-010F	1	(AT)			3A01-
67-014F		PROTECTOR, HARNESS			
F100-67-PS1	1				
67-050		HARNESS, REAR			
FD15-67-050B	1	(W/O SUN-RF) (STEEL SUN-RF)			
FD18-67-050B	1	(GLASS SUN-RF)			
67-06Y		HARNESS NO. 3, REAR			
FD01-67-06YE	1	(W/O SUN-RF) (STEEL SUN-RF)			
FD04-67-06YF	1	(GLASS SUN-RF)			
67-060		HARNESS NO. 2, REAR			
FD01-67-060E	1	(W/O SUN-RF) (STEEL SUN-RF)			
FD04-67-060D	1	(GLASS SUN-RF)			
67-061J		PAD, PROTECTOR-HARNES			
F100-67-PP1	2				
67-071A		CORD			
F100-67-071F	1	(ILLUST. NO.1)			
F100-67-270A	1	(ILLUST. NO.2)			
67-099D		FUSE(60A)			
FB01-67-099	4	60A			
67-100		HARNESS, INT. LAMP			
FD01-67-100D	1	(W/O SUN-RF)			
3A01 FD333*-300888					

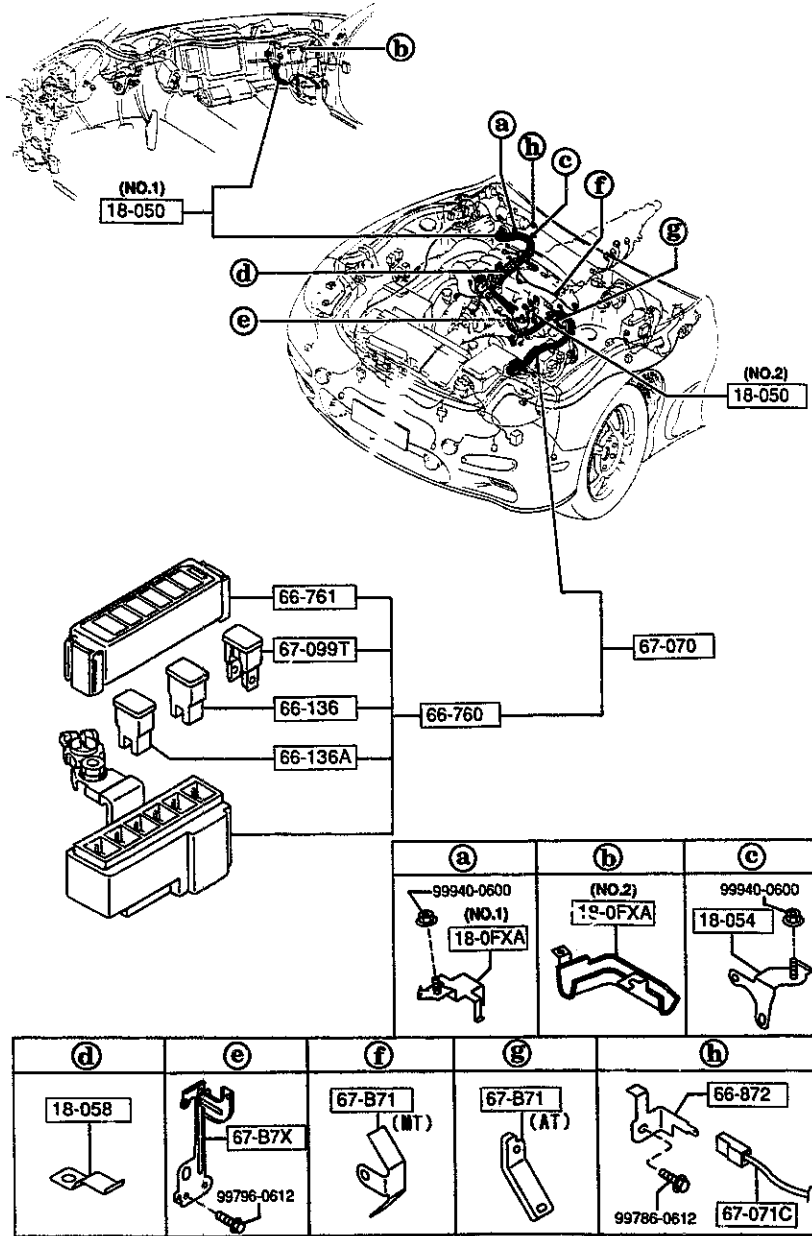
6700 WIRING HARNESSSES(FRONT & REAR)

(1/2)



PART NO.	QTY	MODEL/RESTRICTION	MODEL/RESTRICTION	MODEL/RESTRICTION	FROM-TO
CONT'D FD04-67-100D	1	(STEEL SUN-RF) (GLASS SUN-RF)			
↑-----↑ 67-9C0 ↓-----↓		BOX, RELAY-FRONT HARNESS			
FD15-66-750	1				
↑-----↑ 67-9C2 ↓-----↓		COVER, RELAY BOX-F. HARNESS			
FD15-66-752	1				

6701 WIRING HARNESSSES(ENGINE & T/MISSION)



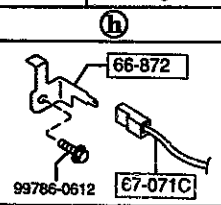
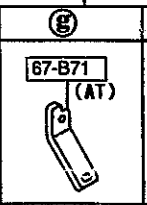
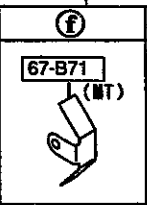
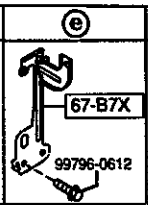
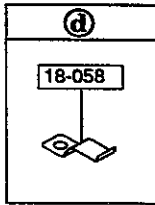
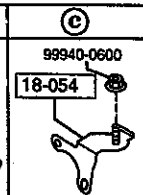
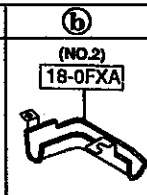
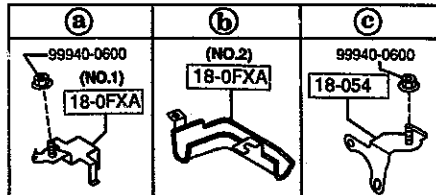
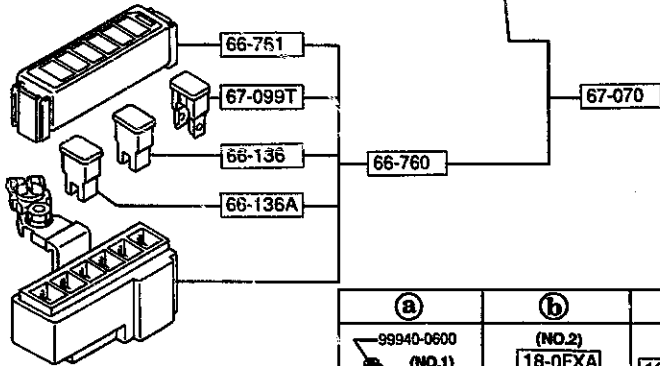
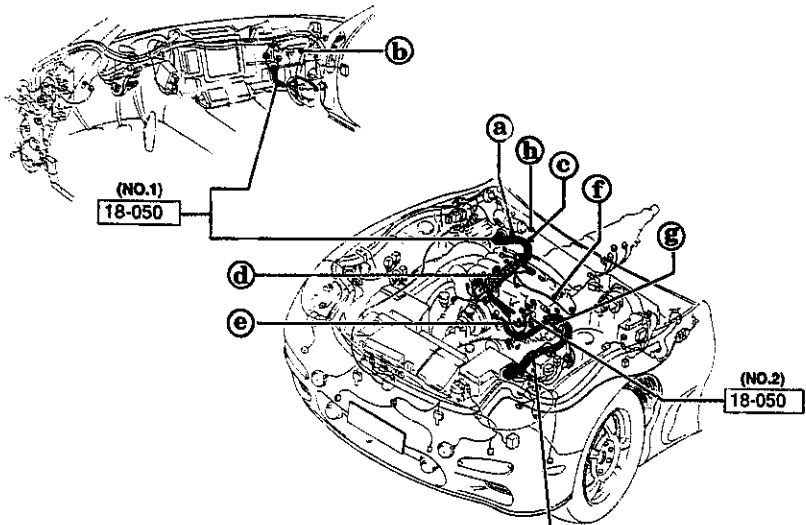
PART NO.	QTY	MODEL/RESTRICTION	MODEL/RESTRICTION	MODEL/RESTRICTION	FROM-TO
18-0FXA		BRACKET,ENGINE HARNESS			
N3A1-18-0FXA	1	(ILLUST. NO.1)			
N3A2-18-0FXA	1	(ILLUST. NO.2)			
18-050		WIRING,ENGINE			
N3A3-18-05Z	1	(ILLUST. NO.2)			
N3A1-18-05ZE A (N3A1-18-05ZF)	1				-4408
N3A2-18-05ZE A (N3A2-18-05ZH)	1				-4408
*N3A1-18-05ZF	1	(ILLUST. NO.1) (MT)			4408-
*N3A2-18-05ZH	1	(ILLUST. NO.1) (AT)			4408-
18-054		BRACKET,HOLE-ENG. WIRING			
N3A1-18-0FY	1				
18-058		BRACKET,ENGINE HARNESS			
N3A2-18-054	1				
66-136		FUSE(30A)			
H115-67-099	3				
66-136A		FUSE(40A)			
H116-67-099	1				
66-760		BLOCK,MAIN FUSE			
FD02-66-760C	1				
66-761		COVER,MAIN FUSE BLOCK			
FD02-66-762A	1				
66-872		TAB,EARTH			
FD01-67-TE1C	1				
67-B7X		BRACKET,HARNESS			
FD03-67-B7XD	1				
67-B71		BRACKET,HARNESS			
FD01-67-B71B	1	(MT)			
4408 FD333K-303372					

AUFA05

CAT. AUFA05-03

1995-03

6701 WIRING HARNESSSES(ENGINE & T/MISSION)



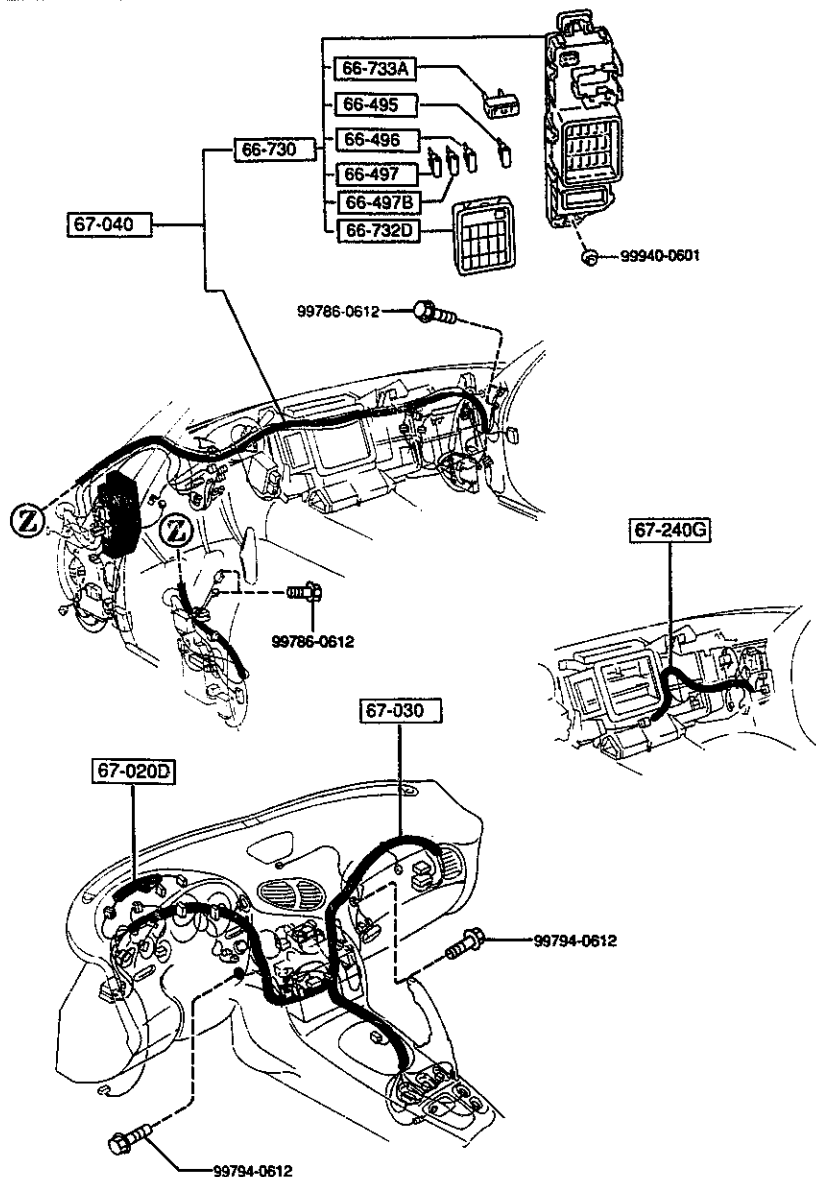
PART NO.	QTY	MODEL/RESTRICTION	MODEL/RESTRICTION	MODEL/RESTRICTION	FROM-TO
CONT'D					
FD02-67-B71A	1	(AT)			
67-070		HARNESS, ENGINE			
FD01-67-070K	1	(MT)			
FD02-67-070B	1	(AT)			
67-071C		WIRE, EARTH			
FD01-67-E70A	1				
67-099T		FUSE(120A)			
J001-67-099	1				

AUFA05

CAT. AUFA05-03

1995-03

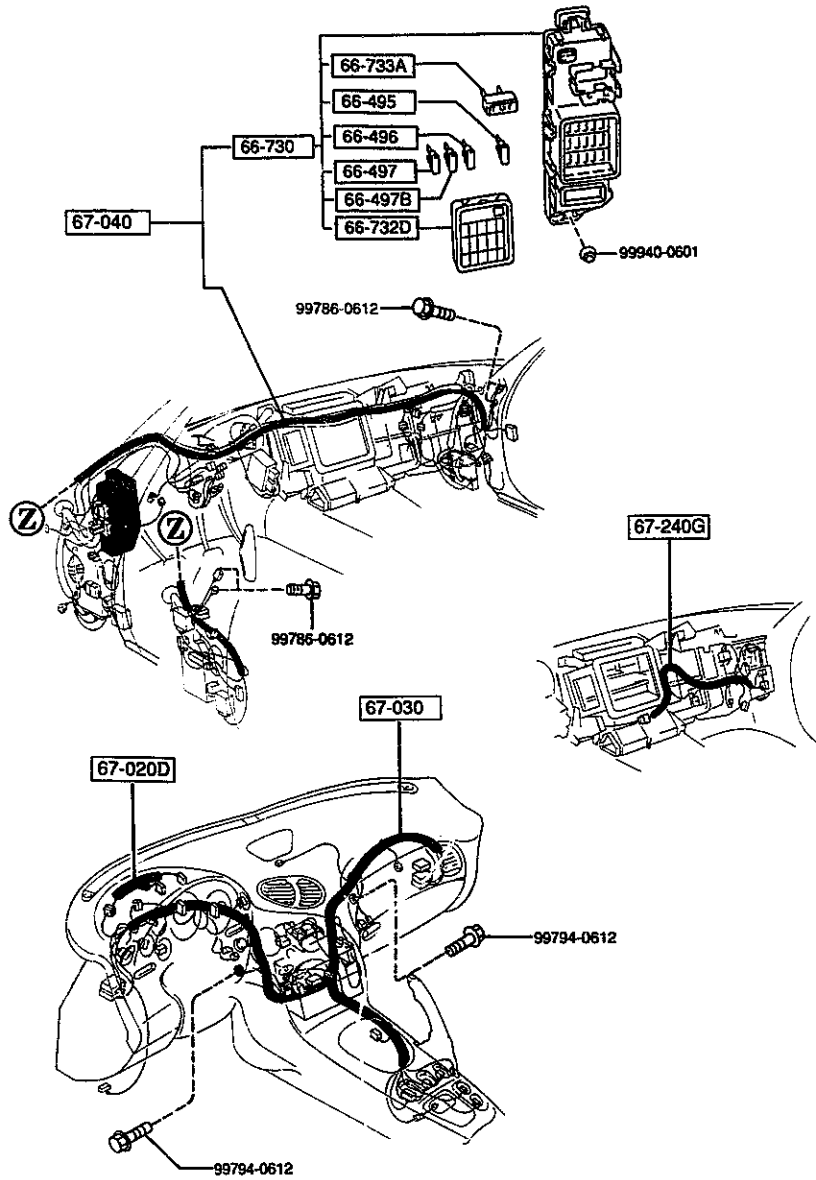
6702 WIRING HARNESSES(DASHBOARD)



PART NO.	QTY	MODEL/RESTRICTION	MODEL/RESTRICTION	MODEL/RESTRICTION	FROM-TO
66-495		FUSE(10A)			
99705-1110	5				
66-496		FUSE(15A)			
99705-1115	7				
66-497		FUSE(20A)			
99705-1120	4				
66-497B		FUSE(30A)			
99705-1130	1				
66-730		BLOCK,FUSE			
FD01-66-730A	1				
66-732D		COVER,FUSE BLOCK			
FD01-66-731A	1				
66-733A		BREAKER			
H001-66-733	1				
67-020D		HARNESS,INST.			
FD01-67-03ZA	1				
67-030		HARNESS,INSTRUMENT			
FD15-67-030C	1	((MT))>(W/O SUN-RF) ((MT))>(STEEL SUN-RF)			
FD17-67-030C	1	((AT))>(W/O SUN-RF)			
FD18-67-030C	1	((MT))>(GLASS SUN-RF)			
FD19-67-030C	1	((AT))>(GLASS SUN-RF)			
67-040		HARNESS,DASHBOARD			
FD15-67-040B	1	((MT))>(W/O SUN-RF) ((MT))>(STEEL SUN-RF)			
FD17-67-040B	1	((AT))>(W/O SUN-RF)			
FD18-67-040B	1	((MT))>(GLASS SUN-RF)			
FD19-67-040B	1	((AT))>(GLASS SUN-RF)			

6702 WIRING HARNESSSES(DASHBOARD)

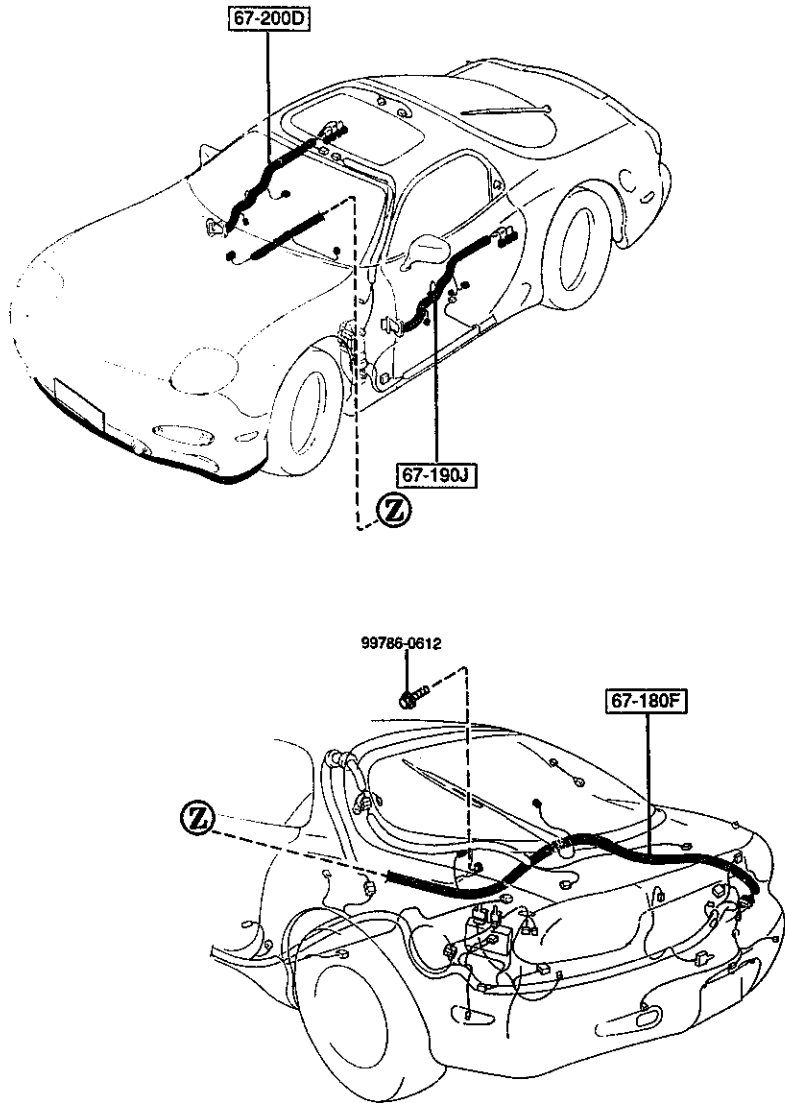
6702 -2 * WIRING HARNESSSES(DASHBOARD)



PART NO.	QTY	MODEL/RESTRICTION	MODEL/RESTRICTION	MODEL/RESTRICTION	FROM-TO
67-240G		HARNESS, LOGICAL CONTROL			
FB01-67-240E	1				

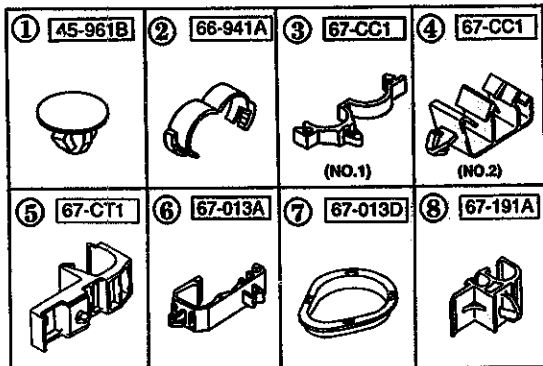
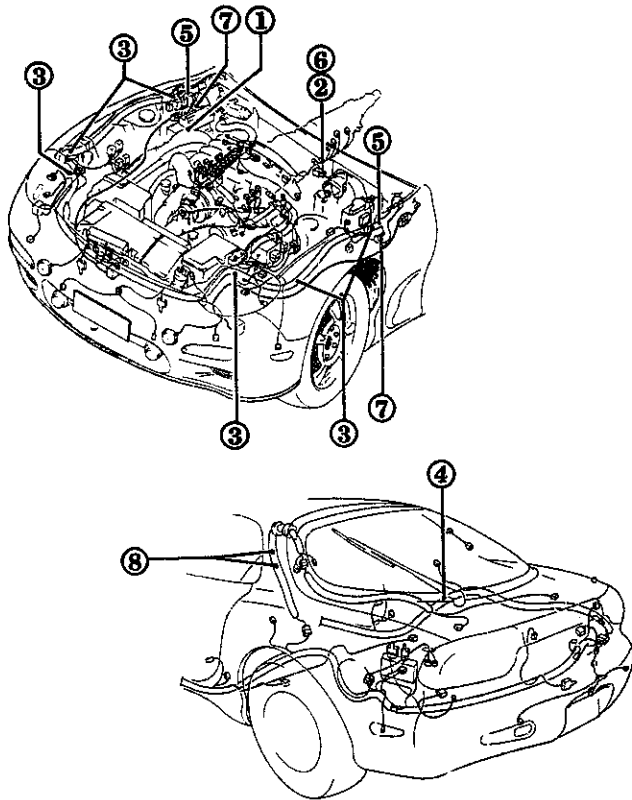
6703 -1 * WIRING HARNESSES(DOOR,FLOOR/CEILING)

6703 WIRING HARNESSES(DOOR,FLOOR/CEILING)



PART NO.	QTY	MODEL/RESTRICTION	MODEL/RESTRICTION	MODEL/RESTRICTION	FROM-TO
+-----+ 67-180F +-----+ FD15-67-180	1	WIRING,FLOOR			
+-----+ 67-190J +-----+ FD15-67-190C	1	HARNESS,DOOR-DRIVER SIDE			
+-----+ 67-200D +-----+ FD15-67-200C	1	HARNESS,DOOR-PASSENG ER SIDE			

6704 WIRING HARNESS CLAMPS



6704 -1 * WIRING HARNESS CLAMPS

PART NO.	QTY	MODEL/RESTRICTION	MODEL/RESTRICTION	MODEL/RESTRICTION	FROM-TO
45-961B H002-45-961	1	CAP			
66-941A FB01-66-945	1 (MT)	CLIP			
67-CC1 FD01-67-CC1 F100-67-C41	6 (ILLUST. NO.1) 1 (ILLUST. NO.2)	CLIP, HARNESS			
67-CT1 FD01-67-CD1	2	CLIP, HARNESS			
67-013A UB42-67-013	1 (AT)	CLIP			
67-013D FD01-67-P13	2	PROTECTOR, HARNESS			
67-191A B467-67-CE1	2	CLIP			

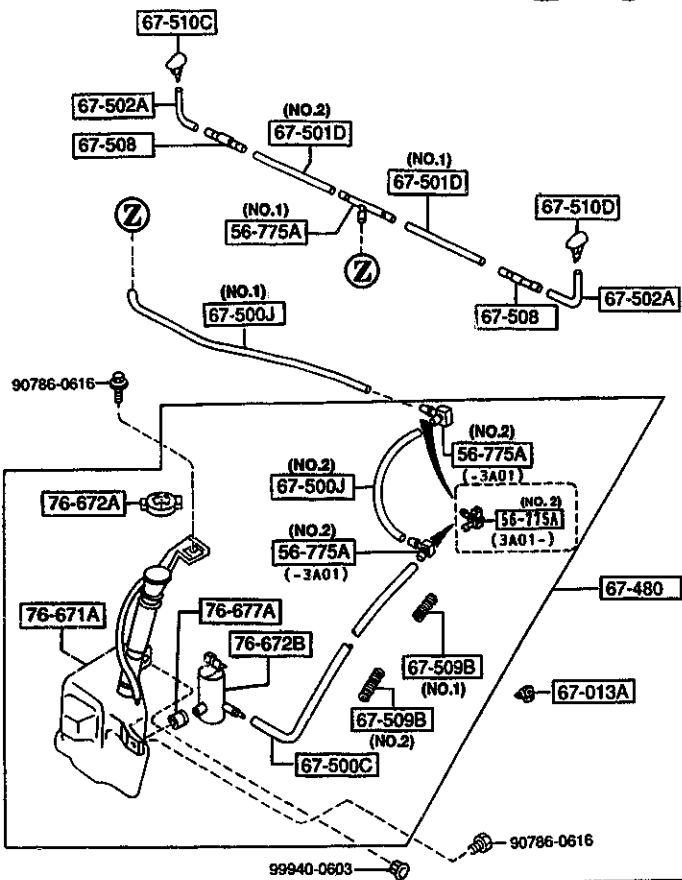
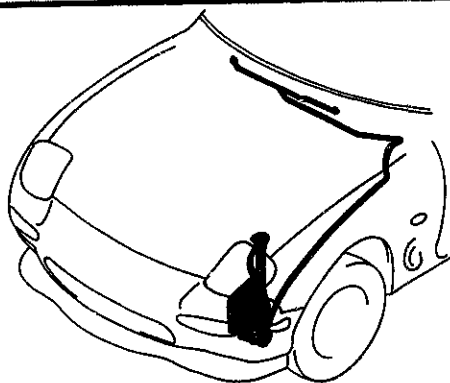
AUFA05

CAT. AUFA05-03

1995-03

6720 WINDSHIELD WASHER

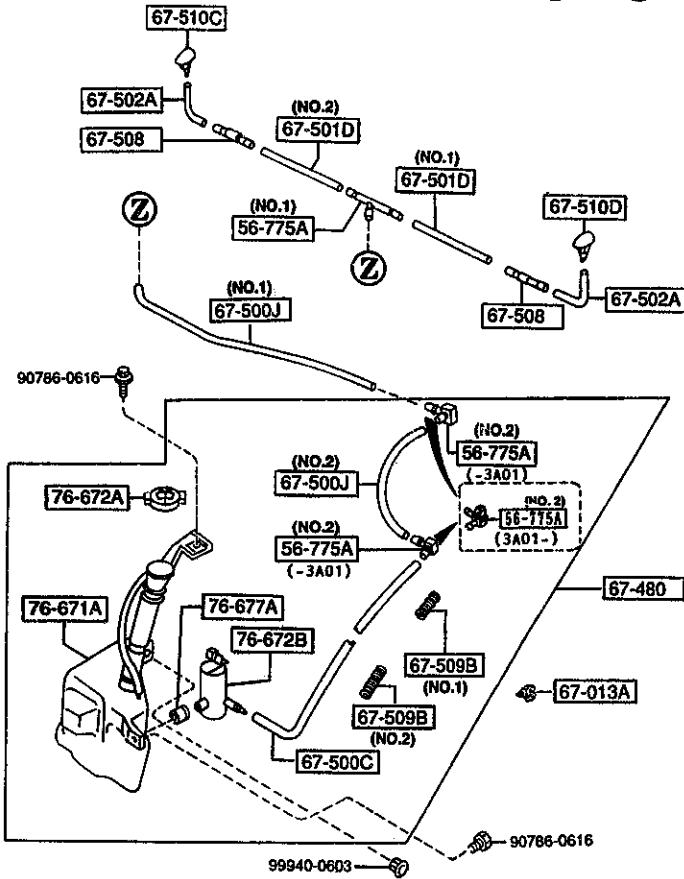
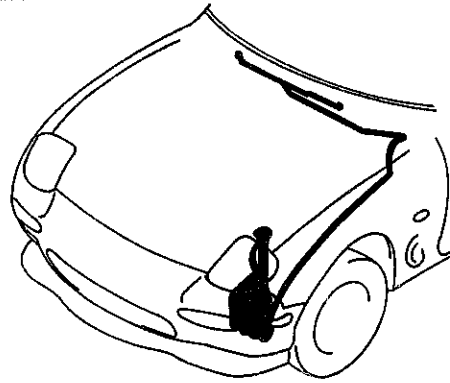
6720 -1 WINDSHIELD WASHER



PART NO.	QTY	MODEL/RESTRICTION	MODEL/RESTRICTION	MODEL/RESTRICTION	FROM-TO
56-775A		CLIP, WASHER HOSE			
D061-67-505	1	(ILLUST. NO.1)			
LA01-67-505B	2	(ILLUST. NO.2)			-3A01
M020-67-505	2	(ILLUST. NO.2)			3A01-
67-013A		CLIP			
H045-67-013	1				
67-480		TANK, WASHER-FRONT			
FD01-67-480B	1				
67-500C		PIPE, SCREEN WASHER			
FD05-67-501	1				
67-500J		PIPE, SCREEN WASHER			
FD03-67-501	1	(ILLUST. NO.1)			
FD04-67-501A	1	(ILLUST. NO.2)			
67-501D		PIPE, WASHER-FRONT W/ PER			
FD01-67-501	1	(ILLUST. NO.1)			
FD02-67-501	1	(ILLUST. NO.2)			
67-502A		JOINT, HOSE			
FD01-67-502	2				
67-508		VALVE, CHECK			
FD01-67-508	2				
67-509B		TUBE, CORRUGATE			
FD01-67-509	1	(ILLUST. NO.1)			
FD02-67-509	1	(ILLUST. NO.2)			
67-510C		NOZZLE(R), WASHER			
FD02-67-510	1				
NU	EXT	NT NU VINTAGE RED			
PT	EXT	PT VX CHAST WHITE			
03	EXT	N8 PX PZ 2A 3L 4G N6 BLACK			
3A01 FD333*-300888					

6720 WINDSHIELD WASHER

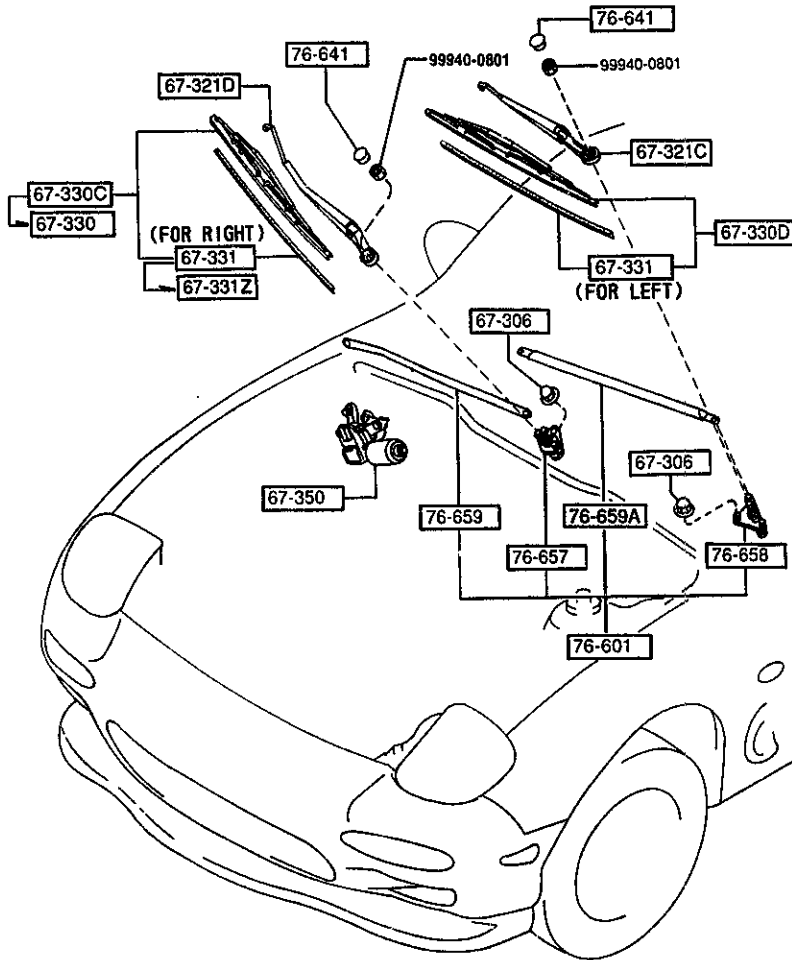
6720 -2 * WINDSHIELD WASHER



PART NO.	QTY	MODEL/RESTRICTION	MODEL/RESTRICTION	MODEL/RESTRICTION	FROM-TO
67-510D		NOZZLE(L), WASHER			
FD01-67-510	1				
NU	EXT-	NT NU VINTAGE RED			
PT	EXT-	PT VX CHAST WHITE			
03	EXT-	MS PX PZ 2A 3L 4G N6 BLACK			
76-671A		TANK, WASHER-RR WIPER			
FD01-67-481A	1				
76-672A		CAP, TANK			
FD01-67-483	1				
76-672B		PUMP, WASHER			
FD01-67-482	1				
76-677A		GRONMET, WASHER TANK			
S084-76-677	1				

6730 -1 WINDSHIELD WIPERS

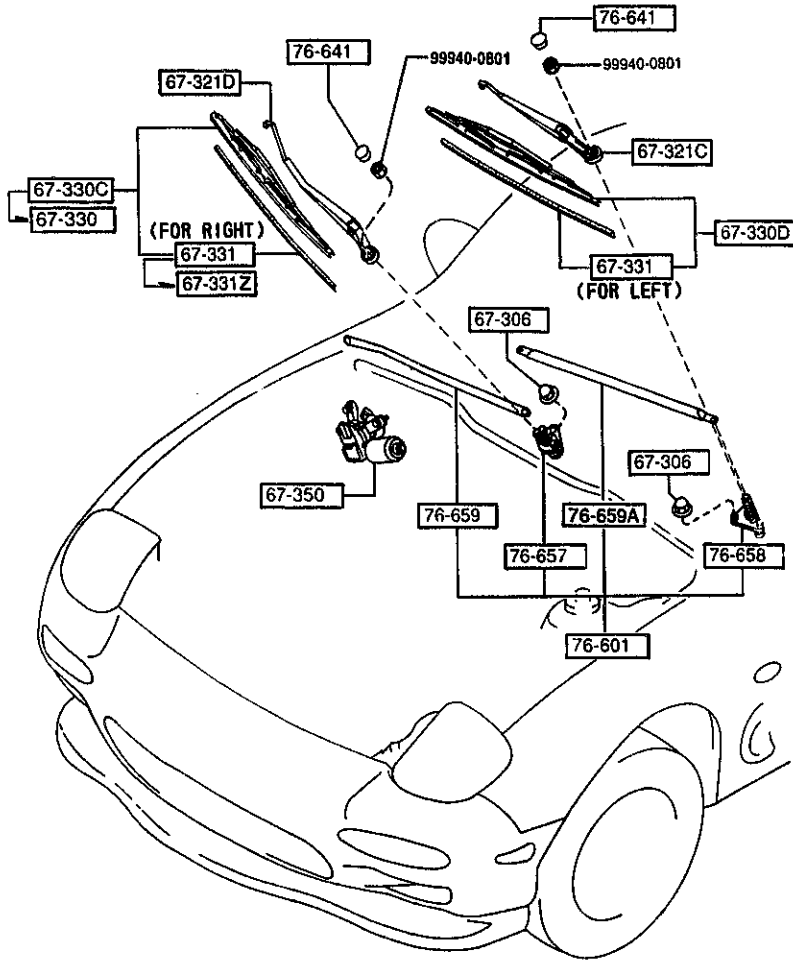
6730 WINDSHIELD WIPERS



PART NO.	QTY	MODEL/RESTRICTION	MODEL/RESTRICTION	MODEL/RESTRICTION	FROM-TO
67-306		NUT, WIPER LINK			
GJ21-67-306	5				
67-321C		ARM, WIPER-DRIVER SIDE			
FD01-67-321	1				
67-321D		ARM, WIPER-CO DRIVER SIDE			
FD02-67-321	1				
67-330		BLADE, WIPER-FRONT			3C01-
TA02-67-330	1	(FOR RIGHT)			
67-330C		BLADE(R), WIPER-FRONT			-3C01
GA7D-67-330	1				
67-330D		BLADE(L), WIPER-FRONT			
FD01-67-330A	1				
67-331		RUBBER, BLADE-FRONT			
F100-67-331	1	(FOR LEFT)			
H381-67-331	1	(FOR RIGHT)			-3C01
67-331Z		RUBBER, BLADE-FRONT			
D061-67-331	1	(FOR RIGHT)			3C01-
67-350		MOTOR, WIPER			
FD01-67-340	1	(EXC. COLD SPEC)			
FD02-67-340	1	(COLD SPEC)			
76-601		LINK, WIPER			
FD01-67-360	1	(EXC. COLD SPEC)			
FD02-67-360	1	(COLD SPEC)			
76-641		COVER, WIPER ARM-FRONT			
LA01-67-395A	2				
76-657		SHAFT, DRIVE NO.1			
FD01-67-363	1	(EXC. COLD SPEC)			
FD02-67-363	1	(COLD SPEC)			
3C01 FD333*-301464					

6730 WINDSHIELD WIPERS

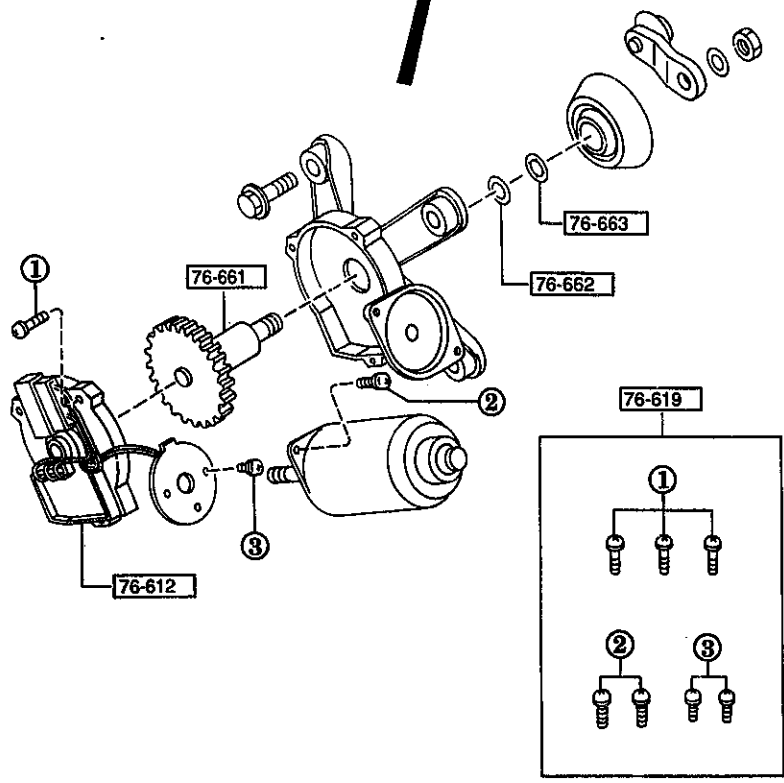
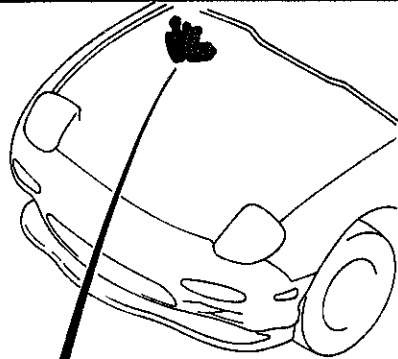
6730 -2 * WINDSHIELD WIPERS



PART NO.	QTY	MODEL/RESTRICTION	MODEL/RESTRICTION	MODEL/RESTRICTION	FROM-TO
76-658		SHAFT, DRIVE NO. 2			
FD01-67-364	1	(EXC. COLD SPEC)			
FD02-67-364	1	(COLD SPEC)			
76-659		ARM NO. 1, LINK			
FD01-67-361	1				
76-659A		ARM NO. 2, LINK			
FD01-67-362	1				

6740 WIPER MOTOR COMPONENTS(FRONT)

COMPONENTS OF FD01-67-340
FD02-67-340

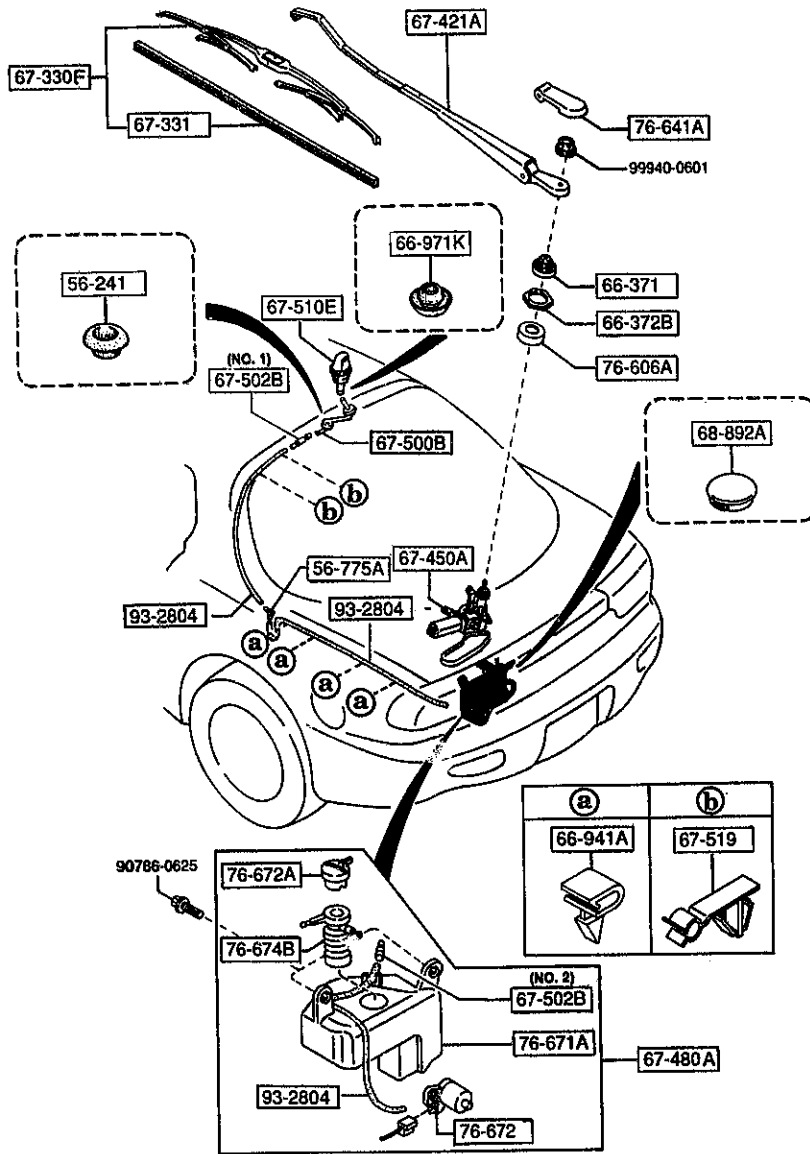


6740 -1 * WIPER MOTOR COMPONENTS(FRONT)

PART NO.	QTY	MODEL/RESTRICTION	MODEL/RESTRICTION	MODEL/RESTRICTION	FROM-TO
76-612		PLATE, HOLDER-BRUSH			
FD01-67-351	1	(EXC. COLD SPEC)			
FD02-67-351	1	(COLD SPEC)			
76-619		PARTS SET			
H043-76-619A	1				
76-661		GEAR, SHAFT			
FD01-67-354	1				
76-662		WASHER			
B094-76-662	1				
76-663		WASHER, TOOTHED			
B094-76-663	1				

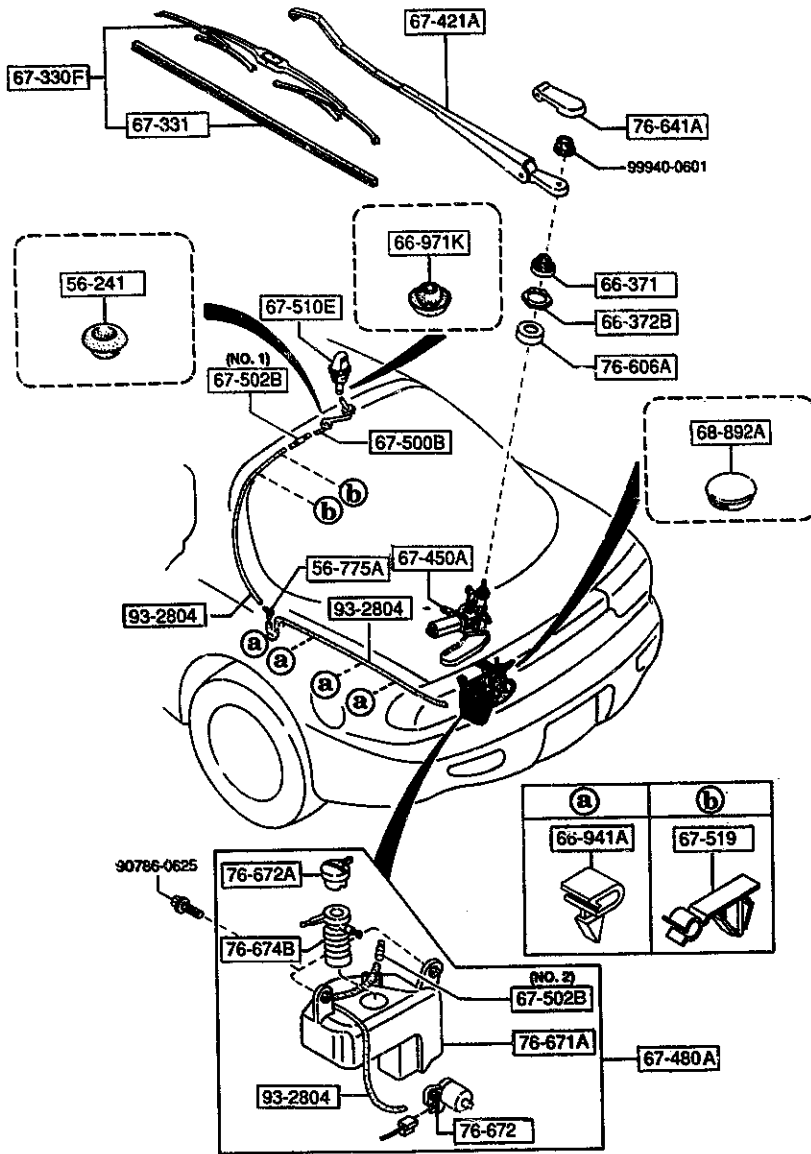
6750 WINDOW WIPER & WASHER (REAR)

6750 -1 WINDOW WIPER & WASHER (REAR)



PART NO.	QTY	MODEL/RESTRICTION	MODEL/RESTRICTION	MODEL/RESTRICTION	FROM-TO
56-241		PLUG, DRAIN			
0118-56-241	1	(W/O WASHER TANK) (W/O SUN-RF) (STEEL SUN-RF)			
56-775A		CLIP, WASHER HOSE			
LAD1-67-505B	1	(W/RR WASHER TANK) (GLASS SUN-RF)			
66-371		CAP, SEAL			
FD01-67-366	1	(GLASS SUN-RF)			
66-372B		NUT			
B093-76-605	1	(GLASS SUN-RF)			
66-941A		CLIP			
GB08-66-941	4	(W/RR WASHER TANK) (GLASS SUN-RF)			
66-971K		GROMMET			
0222-66-971	1	(W/O WASHER TANK) (W/O SUN-RF) (STEEL SUN-RF)			
67-330F		BLADE, WIPER			
*FD03-67-330	1	(GLASS SUN-RF)			
67-331		RUBBER, BLADE-FRONT			
B461-67-331	1	(GLASS SUN-RF)			
67-421A		ARM, WIPER			
FD01-67-421	1	(GLASS SUN-RF)			
67-450A		MOTOR			
FD01-67-450A	1	(GLASS SUN-RF)			
67-480A		TANK, WASHER-REAR			
FD02-67-480	1	(W/RR WASHER TANK) (GLASS SUN-RF)			
67-500B		PIPE, REAR WASHER-UPPER			
FD04-67-500	1	(W/RR WASHER TANK) (GLASS SUN-RF)			

6750 WINDOW WIPER & WASHER (REAR)

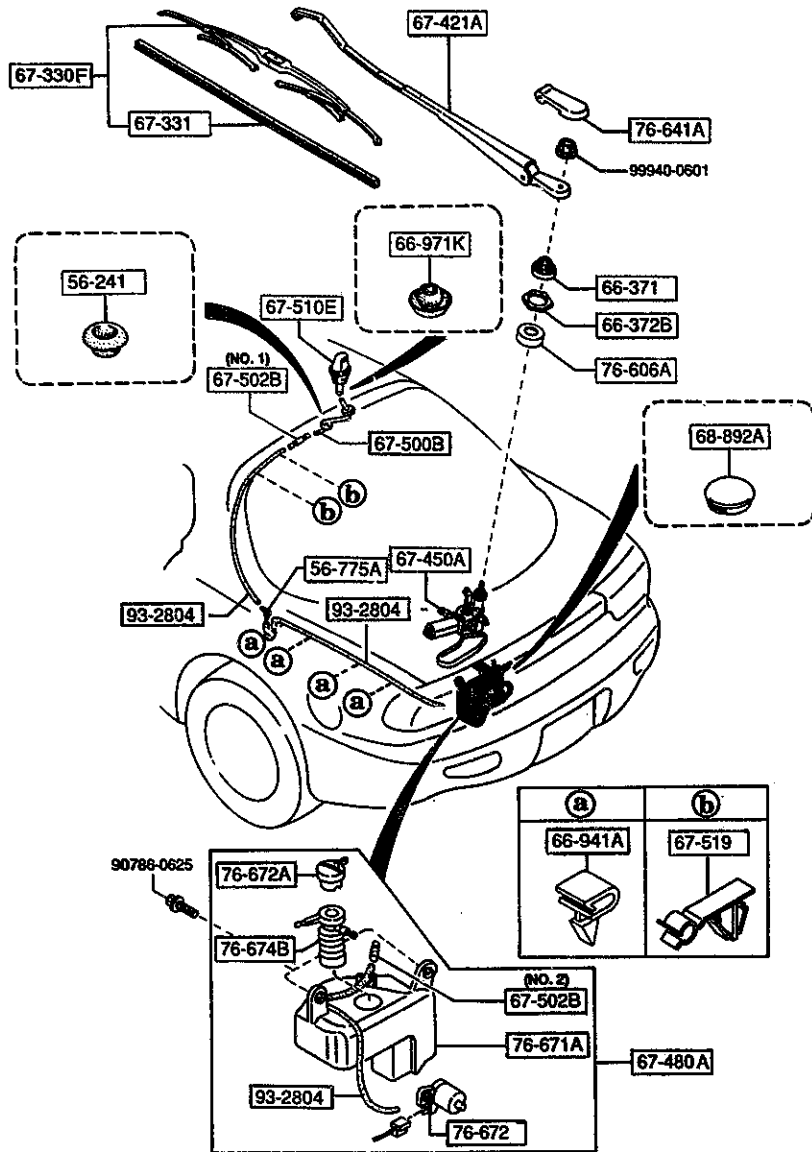


6750 -2 WINDOW WIPER & WASHER (REAR)

PART NO.	QTY	MODEL/RESTRICTION	MODEL/RESTRICTION	MODEL/RESTRICTION	FROM-TO
67-502B		JOINT, HOSE			
4116-67-502	2	(ILLUST. NO. 1) (W/RR WASHER TANK) (GLASS SUN-RF)			-4302
*D805-67-502	1	(ILLUST. NO. 2) (W/RR WASHER TANK) (GLASS SUN-RF)			4302-
4116-67-502	1	(ILLUST. NO. 1) (W/RR WASHER TANK) (GLASS SUN-RF)			4302-
67-510E		NOZZLE, WASHER			
FD03-67-510	1	(W/RR WASHER TANK) (GLASS SUN-RF)			
67-519		CLIP, PIPE			
B499-67-519	2	(W/RR WASHER TANK) (GLASS SUN-RF)			
68-892A		COVER, HOLE-RR WIPER			
FD01-67-492	1	(W/O WASHER TANK) (W/O SUN-RF) (STEEL SUN-RF)			
76-606A		BUSH, OUTER			
FD01-67-407	1	(GLASS SUN-RF)			
76-641A		COVER, WIPER ARM-REAR			
B093-76-641	1	(GLASS SUN-RF)			
76-671A		TANK, WASHER-RR WIPER			
FD02-67-481	1	(W/RR WASHER TANK) (GLASS SUN-RF)			
76-672		PUMP, WASHER			
FD02-67-482	1	(W/RR WASHER TANK) (GLASS SUN-RF)			
76-672A		CAP, TANK			
FD02-67-483	1	(W/RR WASHER TANK) (GLASS SUN-RF)			
76-674B		FANNEL			
FD02-67-484	1	(W/RR WASHER TANK) (GLASS SUN-RF)			
4302 FD333*-302787					

6750 -3 * WINDOW WIPER & WASHER (REAR)

6750 WINDOW WIPER & WASHER (REAR)

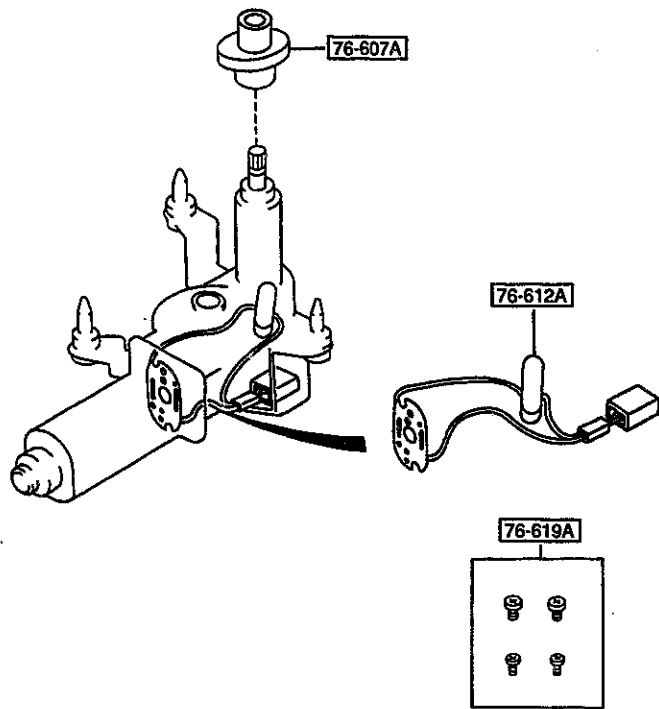
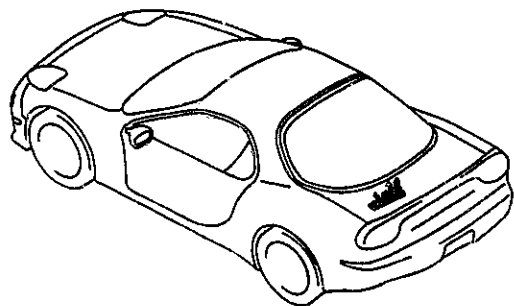


PART NO.	QTY	MODEL/RESTRICTION	MODEL/RESTRICTION	MODEL/RESTRICTION	FRON-TO
93-2804		PIPE, VINYL			
99328-04010	1	L=10M (W/RR WASHER TANK) (GLASS SUN-RF)			

6760 -1 * WINDOW WIPER MOTOR COMPONENTS (REAR)

6760 WINDOW WIPER MOTOR COMPONENTS (REAR)

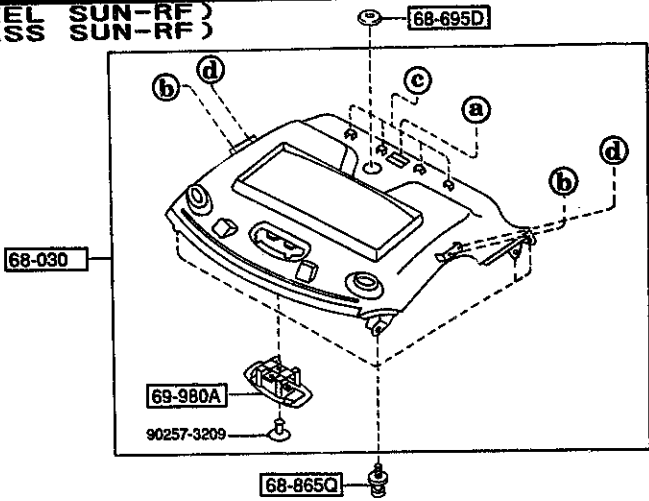
COMPONENTS OF FD01-67-450A



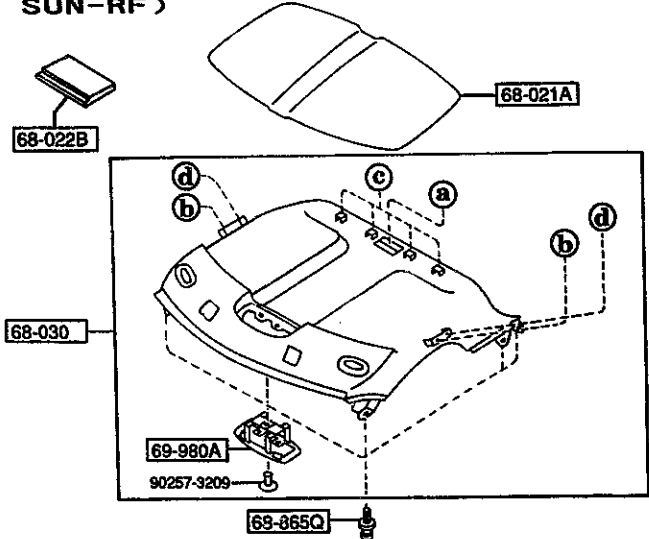
PART NO.	QTY	MODEL/RESTRICTION	MODEL/RESTRICTION	MODEL/RESTRICTION	FROM-TO
76-607A FD01-67-402	1	BUSH, INNER			
76-612A FD01-67-451	1	PLATE, HOLDER-BRUSH			
76-619A B002-76-619A	1	PARTS SET			

6800 CEILING TRIMS

(STEEL SUN-RF)
(GLASS SUN-RF)



(W/O SUN-RF)



a	b	c	d
68-D21	68-0C0	68-865S	68-865U



AUFA05

-337-

6800 -1 * CEILING TRIMS

PART NO.	QTY	MODEL/RESTRICTION	MODEL/RESTRICTION	MODEL/RESTRICTION	FROM-TO
68-D21		CLIP,TRIM			
GA2A-68-D21	1				
68-0C0		CLIP,TOP CEILING			
MO01-68-0C0A	2				
68-021A		INSULATOR,ROOF			
FD01-68-021A	1				-3920
A (FD01-68-021A)					
FD01-68-021A	1	(W/O SUN-RF)			3920-
68-022B		PAD,ROOF			
*FD15-68-016	1	(W/O SUN-RF)			
68-030		CEILING,TOP			
FD01-68-030C	1	(STEEL SUN-RF) (GLASS SUN-RF)			
02	INT-	FE5 FE6 FE7 BLACK			
FD03-68-030C	1	(W/O SUN-RF)			
02	INT-	FE5 FE6 FE7 BLACK			
68-695D		COVER,HOLE-BELT			
GM09-68-049	1	(STEEL SUN-RF) (GLASS SUN-RF)			
02	INT-	FE5 FE6 FE7 BLACK			
68-865Q		FASTENER			
GJ21-68-885B	4				
00	INT-	FE5 FE6 FE7 BLACK			
68-865S		CLIP,TRIM			
GJ12-68-865	4				
68-865U		CLIP,TRIM			
GJ21-68-865	2				
69-980A		BRACKET,OVERHEAD CON SOLE			
FD01-69-98X	1				

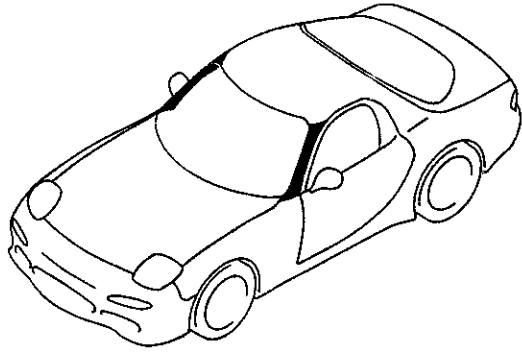
3920 FD333*-300684

CAT. AUFA05-03

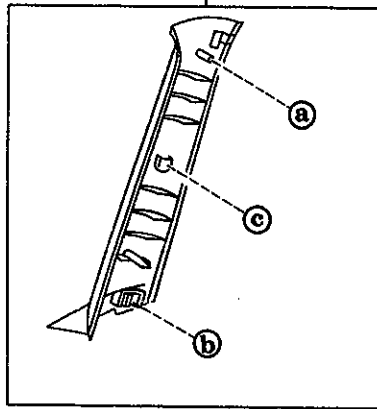
1995-03

6820 -1 * PILLAR TRIMS

6820 PILLAR TRIMS



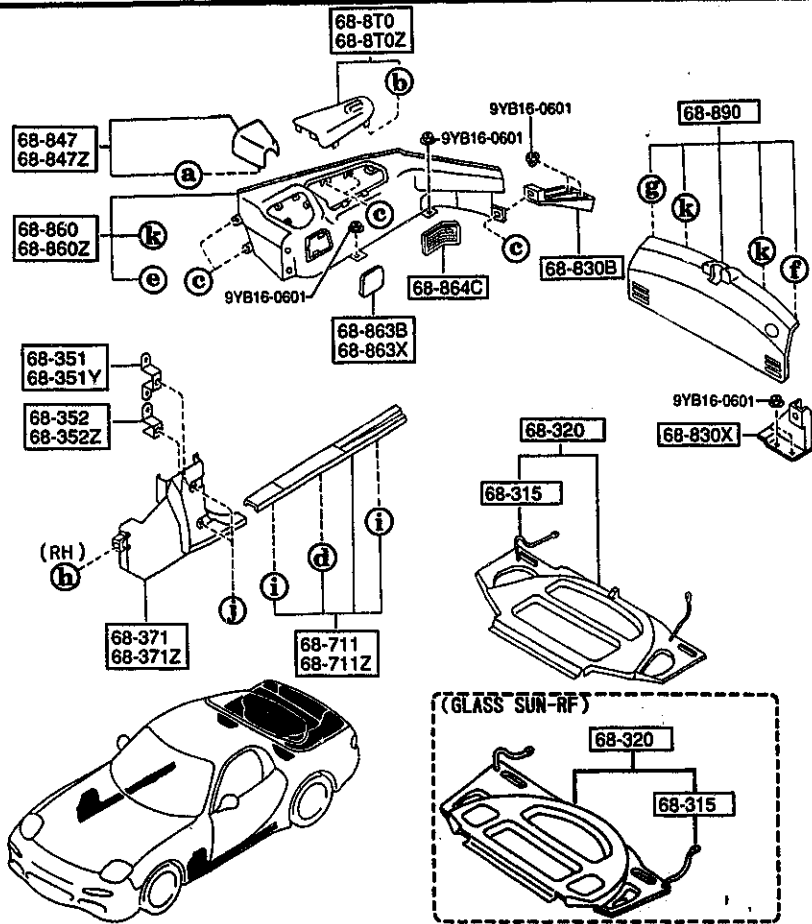
68-160
68-160Z



a	b	c
68-D21	68-218B	68-865S

PART NO.	QTY	MODEL/RESTRICTION	MODEL/RESTRICTION	MODEL/RESTRICTION	FROM-TO
68-D21		CLIP,TRIM			
FD01-68-D21	2				
68-160		TRIM(R),*A*PILLAR			
FD01-68-160E	1				-4510
02	INT-	FE5 FE6 FE7 BLACK			
*FD01-68-160F	1				4510-
* 02	INT-	FE5 FE6 FE7 BLACK			
68-160Z		TRIM(L),*A*PILLAR			
FD01-68-170E	1				-4510
02	INT-	FE5 FE6 FE7 BLACK			
*FD01-68-170F	1				4510-
* 02	INT-	FE5 FE6 FE7 BLACK			
68-218B		SPRING,TRIM			
FD01-68-165	2				
68-865S		CLIP,TRIM			
GJ12-68-865	2				
4510 FD333*-303536					

6840 TRIMS & SCUFF PLATES



a	b	c	d	e	f
64-345C	68-AB1	68-AC3	68-AD3	68-AD4	68-D21
g	h	i	j	k	
68-172H	68-353	68-712D	68-865Q	68-865S	

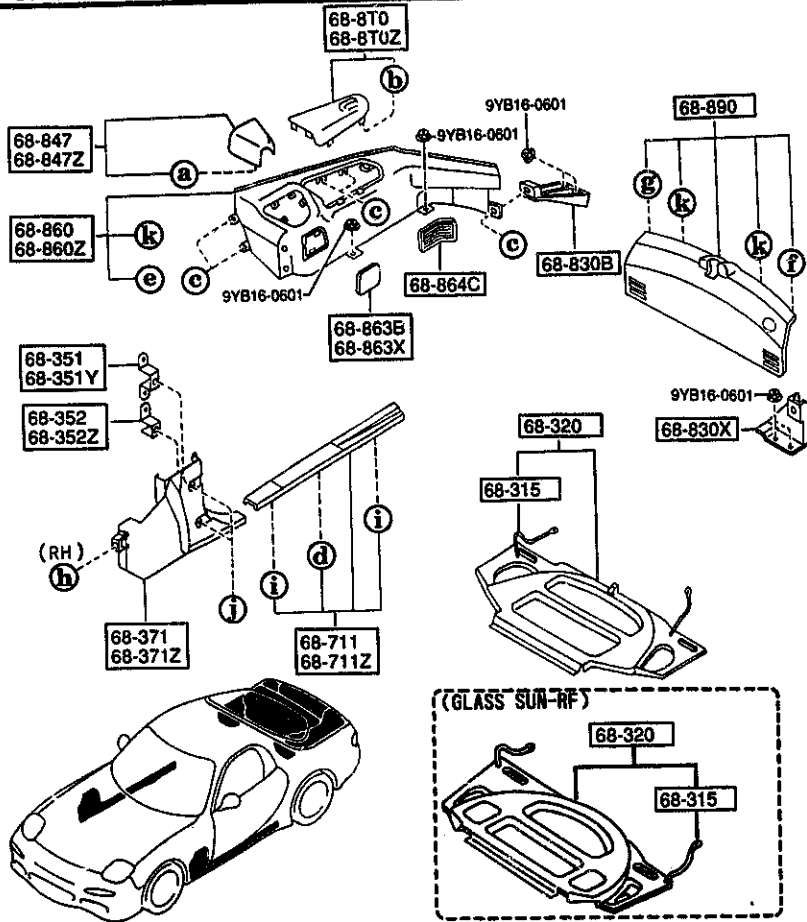
PART NO.	QTY	MODEL/RESTRICTION	MODEL/RESTRICTION	MODEL/RESTRICTION	FROM-TO
64-345C	6	SPRING, UPPER PLATE			
H260-64-345					
68-AB1	2	FASTENER			
FD01-68-AB1B					
68-AC3	10	FASTENER			
B467-68-AC3					
68-AD3	2	CLIP, SCUFF PLATE			
H380-68-AD3					
68-AD4	2	GROMMET, SCUFF PLATE			
FD01-68-AD4B AN(FD01-68-AD4C)					-4401
FD01-68-AD4C					4401-
68-D21	1	CLIP, TRIM			
LA10-68-D21					
68-172H	1	FASTENER, CTR. P/UPP.			
B100-68-215A					
68-315	2	STRAP			
EA01-68-315			((W/O SUN-RF)>(HARD SUSP) (STEEL SUN-RF) (GLASS SUN-RF)		
68-320	1	TRAY, REAR PACKAGE			
FD01-68-310B			((W/O SUN-RF)>(HARD SUSP) (STEEL SUN-RF)		
02	INT-	FE5 FE6 FE7 BLACK			
FD05-68-310C	1	(GLASS SUN-RF)			
02	INT-	FE5 FE6 FE7 BLACK			
68-351	1	BRKT, FRT SIDE TRIM			
FD01-68-351			(FOR RIGHT)		
68-351Y	1	BRACKET(L), UPPER-F.S IDE			
FD01-68-356					
4401 FD333*-303310					

AUFA05

CAT. AUFA05-03

1995-03

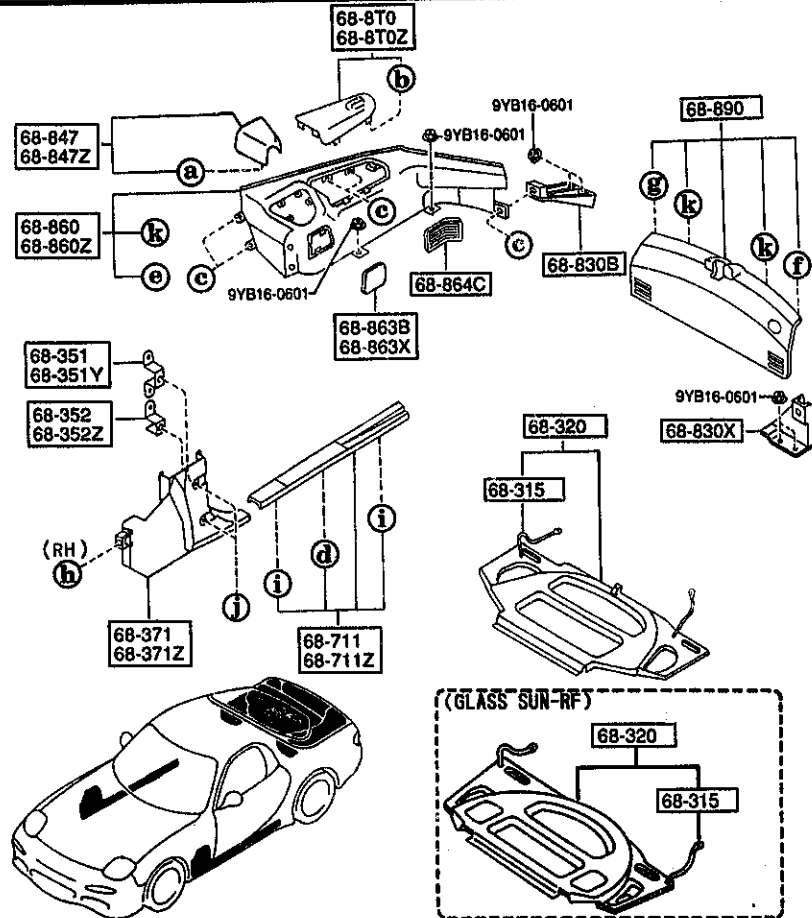
6840 TRIMS & SCUFF PLATES



(a)	(b)	(c)	(d)	(e)	(f)
64-345C	68-AB1	68-AC3	68-AD3	68-AD4	68-D21
(g)	(h)	(i)	(j)	(k)	
68-172H	68-353	68-712D	68-865Q	68-865S	

PART NO.	QTY	MODEL/RESTRICTION	MODEL/RESTRICTION	MODEL/RESTRICTION	FROM-TO
68-352		BRACKET(R), LOWER-F. SIDE			
FD01-68-352	1				
68-352Z		BRACKET(L), LOWER-F. SIDE			
FD01-68-357	1				
68-353		PIN, GUIDE-F. SIDE TRIM			
FD01-68-353	1				
68-371		TRIM(R), FRONT SIDE			
FD01-68-371A	1				
02	INT-	FE5 FE6 FE7 BLACK			
68-371Z		TRIM(L), FRONT SIDE			
FD01-68-391A	1				
02	INT-	FE5 FE6 FE7 BLACK			
68-711		PLATE(R), FRONT SCUFF			
FD01-68-710A	1				
02	INT-	FE5 FE6 FE7 BLACK			
68-711Z		PLATE(L), FRONT SCUFF			
FD01-68-720A	1				
02	INT-	FE5 FE6 FE7 BLACK			
68-712D		CLIP			
B456-68-712	4				
68-870		LID(R), TRUNK SIDE			
FD01-68-870B	1				
02	INT-	FE5 FE6 FE7 BLACK			
68-870Z		LID(L), TRUNK SIDE			
FD01-68-8V0B	1				
02	INT-	FE5 FE6 FE7 BLACK			
68-830B		BRACKET(R), TRUNK SIDE			
FD01-68-8H2	1				

6840 TRIMS & SCUFF PLATES

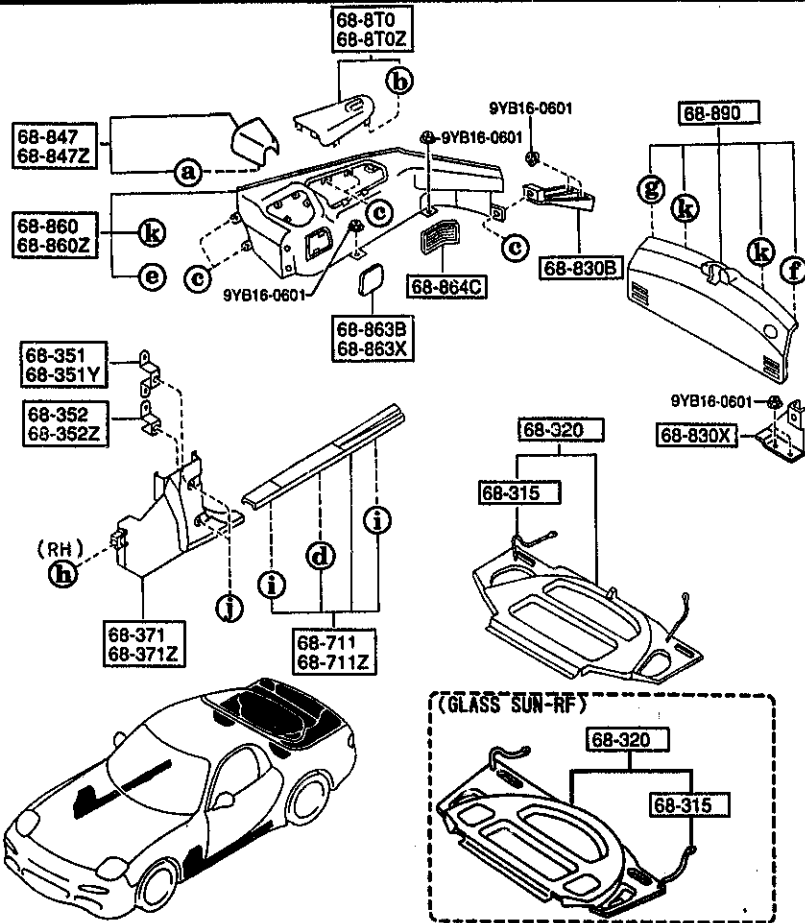


a 68-345C 	b 68-AB1 	c 68-AC3 	d 68-AD3 	e 68-AD4 	f 68-D21
g 68-172H 	h 68-353 	i 68-712D 	j 68-865Q 	k 68-865S 	

PART NO.	QTY	MODEL/RESTRICTION	MODEL/RESTRICTION	MODEL/RESTRICTION	FROM-TO
68-830X FD01-68-8H7	1	BRACKET(L),TRUNK SIDE			
68-847 FD01-68-J30A	1	CAP(R),HOLE-TRUNK TRIM			
02	INT-	FE5 FE6 FE7 BLACK			
68-847Z FD01-68-J40A	1	CAP(L),HOLE-TRUNK TRIM			
02	INT-	FE5 FE6 FE7 BLACK			
68-860 FD01-68-850E	1	TRIM(R),TRUNK SIDE			
02	INT-	FE5 FE6 FE7 BLACK			
68-860Z FD01-68-870F	1	TRIM(L),TRUNK SIDE			
02	INT-	FE5 FE6 FE7 BLACK			
68-863B FD01-68-857	1	COVER(R),TRUNK SIDE			
02	INT-	FE5 FE6 FE7 BLACK			
68-863X FD01-68-877	1	COVER(L),TRUNK SIDE			
02	INT-	FE5 FE6 FE7 BLACK			
68-864C FD09-68-J5Y	1	GRILLE,EXTRACT.-T.S. TRIM			
02	INT-	FE5 FE6 FE7 BLACK			
68-865Q GJ21-68-885B	4	FASTENER			
00	INT-	FE5 FE6 FE7 BLACK			
68-865S GJ12-68-865	4	CLIP,TRIM			
68-890		TRIM,TRUNK END			

6840 TRIMS & SCUFF PLATES

6840 -4 * TRIMS & SCUFF PLATES



a 64-345C 	b 68-AB1 	c 68-AC3 	d 68-AD3 	e 68-AD4 	f 68-D21
g 68-172H 	h 68-353 	i 68-712D 	j 68-865Q 	k 68-865S 	

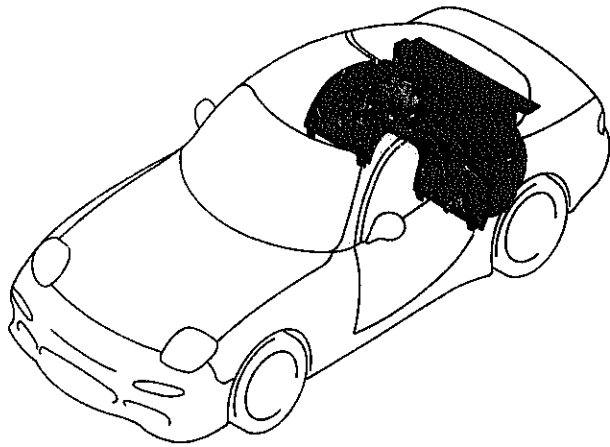
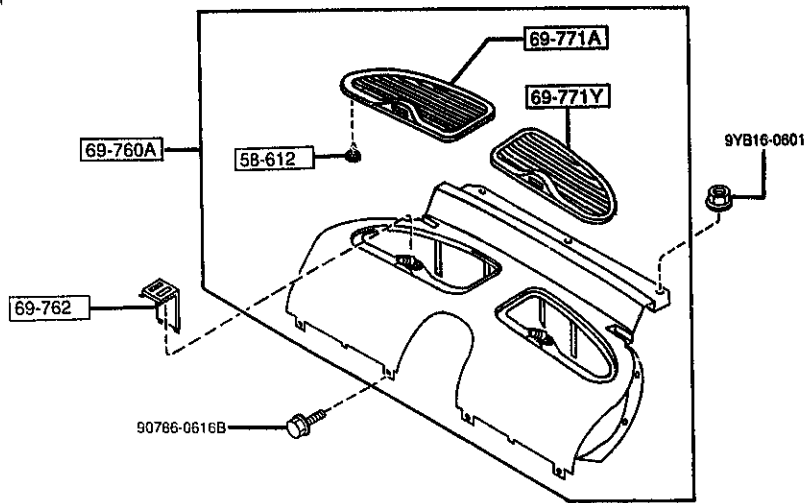
PART NO.	QTY	MODEL/RESTRICTION	MODEL/RESTRICTION	MODEL/RESTRICTION	FROM-TO
CONT'D					
FD01-68-89X	1				
02	INT-	FE5 FE6 FE7 BLACK			
FD09-68-89X	1	NON USA,			
02	INT-	FE5 FE6 FE7 BLACK			

AUFA05

CAT. AUFA05-03

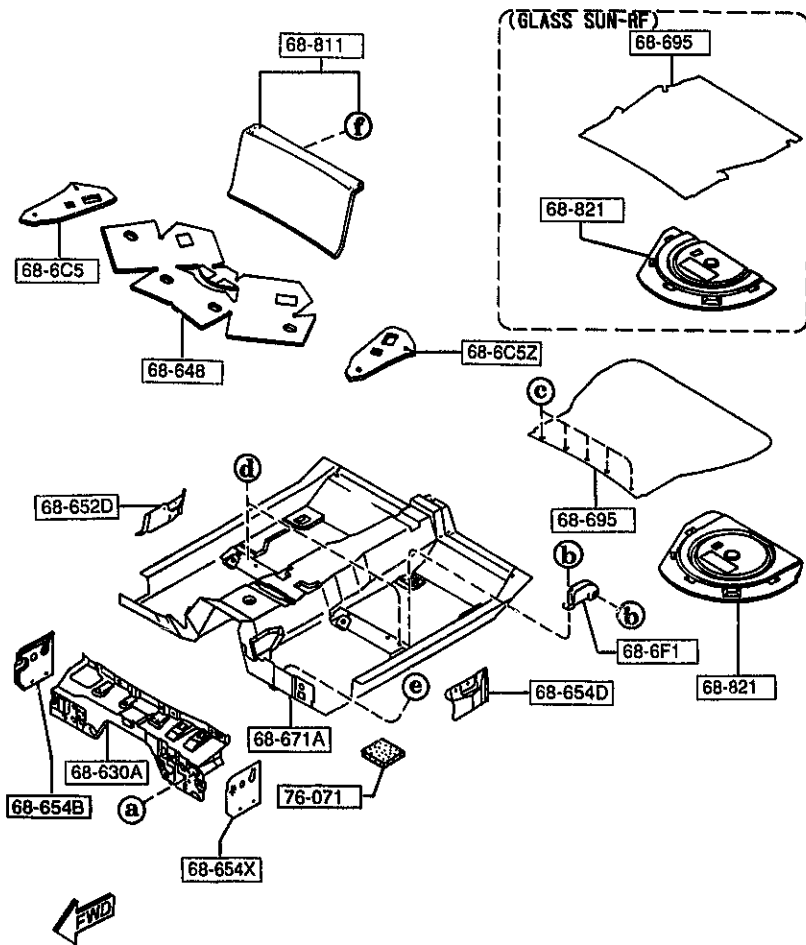
1995-03

6845 STRAGE BOX



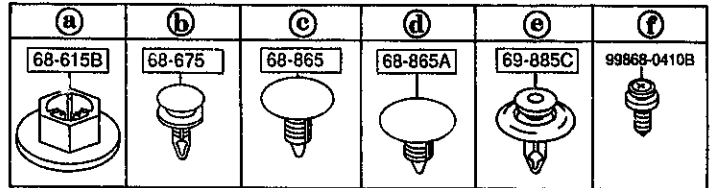
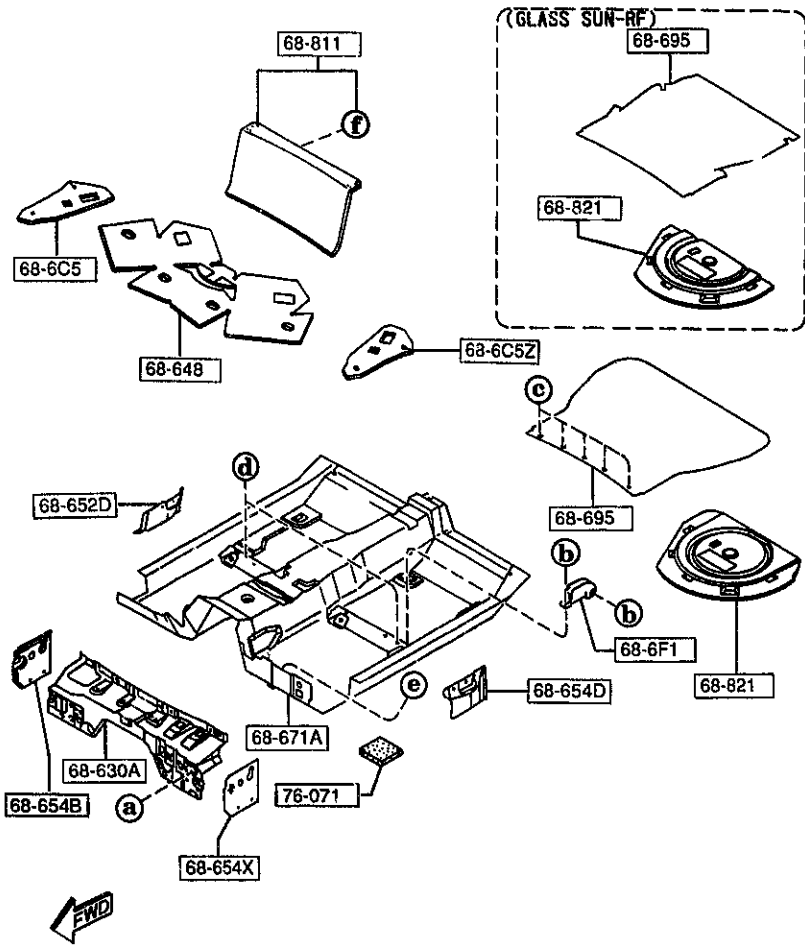
6845 -1 * STRAGE BOX

PART NO.	QTY	MODEL/RESTRICTION	MODEL/RESTRICTION	MODEL/RESTRICTION	FROM-TO
58-612		CUSHION,RUBBER			
0259-58-612	18				
69-760A		BOX,STORAGE			
FD01-69-760C	1				
02	INT-	FE5 FE6 FE7 BLACK			
69-762		PLATE,LOCK			
FD01-69-768A	1				
02	INT-	FE5 FE6 FE7 BLACK			
69-771A		LID(R),OUTER-STRAGE BOX			
FD01-69-771A	1				
02	INT-	FE5 FE6 FE7 BLACK			
69-771Y		LID(L),OUTER-STRAGE BOX			
FD01-69-781	1				
02	INT-	FE5 FE6 FE7 BLACK			

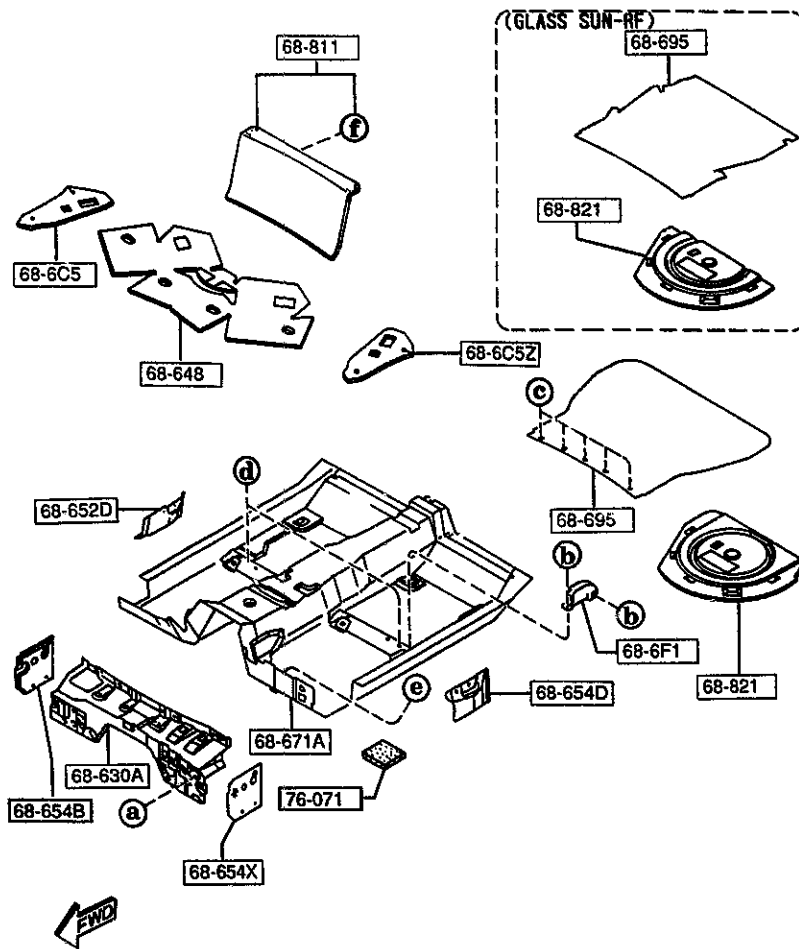


a	b	c	d	e	f
68-615B	68-675	68-865	68-865A	69-885C	99888-0410B

PART NO.	QTY	MODEL/RESTRICTION	MODEL/RESTRICTION	MODEL/RESTRICTION	FROM-TO
68-6C5		PAD(R),TIRE HOUSE			
FD01-68-644A	1				
68-6C5Z		PAD(L),TIRE HOUSE			
FD01-68-649A	1				
68-6F1		BEZZEL,OPENER LEVER			
FD01-68-6F6A	1				
02	INT-	FE5 BLACK			
17	INT-	FE7 RED			
33	INT-	FE6 TAN			
68-615B		NUT,FLANGE-CAP			
B100-68-615	8				
68-630A		INSULATOR,DASHBOARD			
FD01-68-63XE	1	(W/O SUN-RF) (STEEL SUN-RF)			
FD05-68-63XE	1	(GLASS SUN-RF)			
68-648		PAD,REAR SEAT			
FD01-68-648	1	(W/O SUN-RF) (STEEL SUN-RF)			
FD05-68-648	1	(GLASS SUN-RF)			
68-652D		INSULATOR(R),F.FLOOR			
FD01-68-6N6	1				
68-654B		INSULATOR(R),COWL SIDE			
FD01-68-6A1	1				
68-654D		INSULATOR(L),F.FLOOR			
FD01-68-6N7	1				
68-654X		INSULATOR(L),COWL SIDE			
FD01-68-6A2	1				
68-671A		MAT,FLOOR			
FD01-68-670E	1	(W/O WASHER TANK) (W/O SUN-RF) (STEEL SUN-RF)			



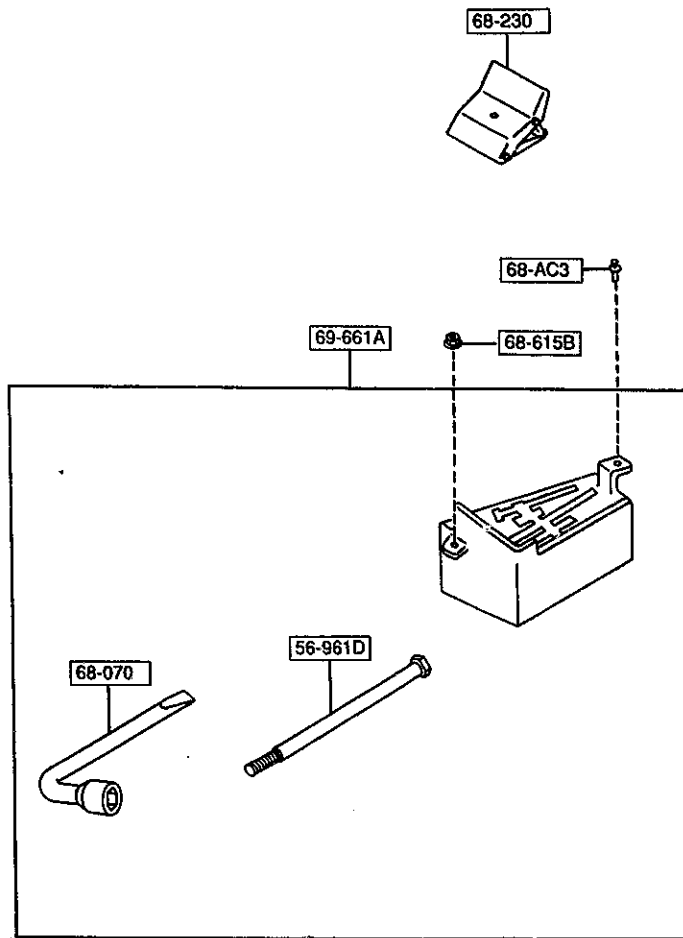
PART NO.	QTY	MODEL/RESTRICTION	MODEL/RESTRICTION	MODEL/RESTRICTION	FROM-TO
CONT'D					
02	INT-	FE5 BLACK			
17	INT-	FE7 RED			
33	INT-	FE6 TAN			
FD05-68-670E	1	(W/RR WASHER TANK) (GLASS SUN-RF)			
02	INT-	FE5 BLACK			
17	INT-	FE7 RED			
33	INT-	FE6 TAN			
68-675		FASTENER			
B100-68-675	2				
68-695		MAT, TRUNK ROOM			
FD01-68-81X	1	(W/O SUN-RF) (STEEL SUN-RF)			
02	INT-	FE5 FE6 FE7 BLACK			
FD05-68-81X	1	(GLASS SUN-RF)			
02	INT-	FE5 FE6 FE7 BLACK			
68-811		BOARD, PARTITION			
FD01-68-82X	1				
02	INT-	FE5 FE6 FE7 BLACK			
68-821		BOARD(C), TRUNK			
FD01-68-83X	1	(W/O SUN-RF) (STEEL SUN-RF)			-4525
FD05-68-83XA	1	(GLASS SUN-RF)			-4525
68-865		FASTENER			
G032-68-865A	5				
00	INT-	FE5 FE6 FE7 BLACK			
68-865A		FASTENER			
BF70-68-865	2				
00	INT-	FE5 BLACK			
17	INT-	FE7 WINE			
33	INT-	FE6 TAN			
69-885C		FASTENER			
4525 FD333*-303554					



(a)	(b)	(c)	(d)	(e)	(f)
68-615B	68-675	68-865	68-865A	69-885C	99668-04103

PART NO.	QTY	MODEL/RESTRICTION	MODEL/RESTRICTION	MODEL/RESTRICTION	FROM-TO
CONT'D					
UB54-68-885	1				
00	INT-	FE5 BLACK			
18	INT-	FE7 RED			
82	INT-	FE6 BEIGE			
76-071		SILENCER, FLOOR			
0208-76-071	1	30CMX30CM (GLASS SUN-RF)			

6870 SERVICE TOOLS

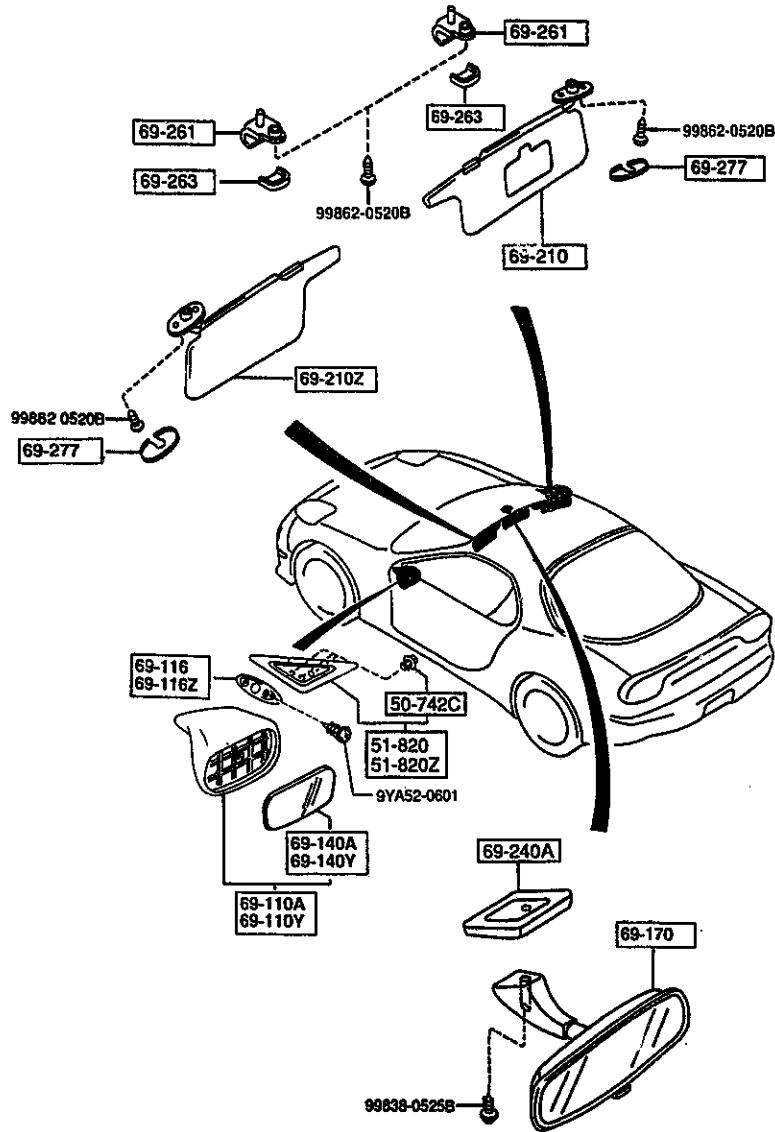


6870 -1 * SERVICE TOOLS

PART NO.	QTY	MODEL/RESTRICTION	MODEL/RESTRICTION	MODEL/RESTRICTION	FROM-TO
56-961D		BOLT			
FD01-56-961	1				
68-AC3		FASTENER			
FD01-68-AC3	1				
68-070		WRENCH, HUB NUT			
NA01-68-070	1				
68-230		STOPPER, WHEEL			
0208-68-230	1				
68-615B		NUT, FLANGE-CAP			
B100-68-615	1				
69-661A		BOX, TOOL			
FD01-69-67YA	1				

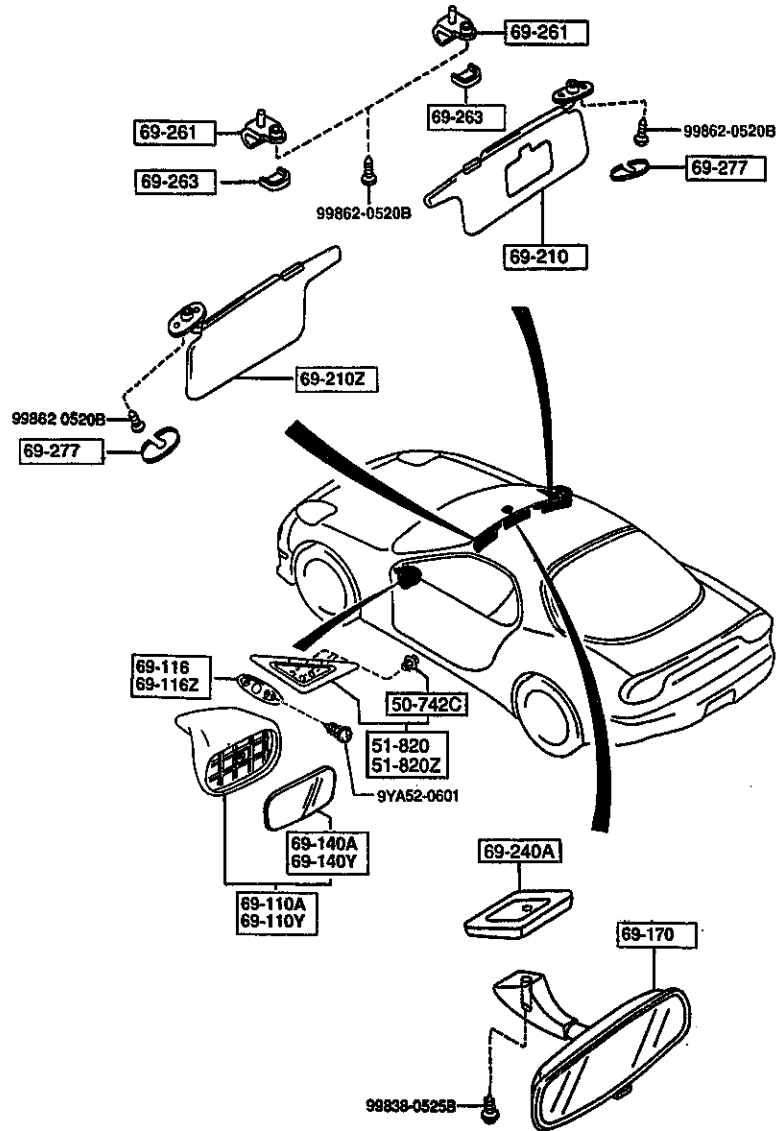
6900 VISORS, ASSIST HANDLES & MIRRORS

6900 -1 VISORS, ASSIST HANDLES & MIRRORS



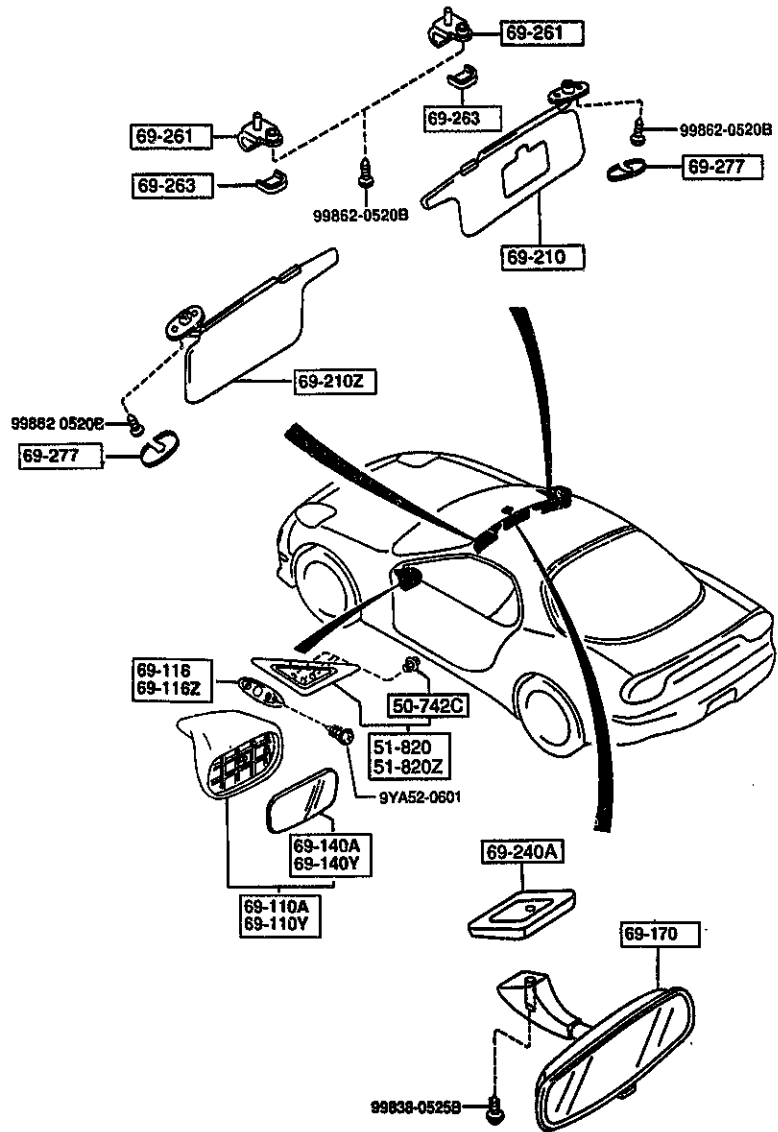
PART NO.	QTY	MODEL/RESTRICTION	MODEL/RESTRICTION	MODEL/RESTRICTION	FROM-TO
50-742C		CLIP			
6043-50-742	6				
51-820		GARNISH(R)			
FD01-50-8R0B	1				
51-820Z		GARNISH(L)			
FD01-50-8S0B	1				
69-110A		MIRROR(R), DOOR			
FD01-76-120	1				
MB	EXT-	MB 2A MONTEGO BLUE M			
NU	EXT-	NT NU VINTAGE RED			
PT	EXT-	PT VX CHAST WHITE			
PZ	EXT-	PX PZ BRILLIANT BLACK			
3L	EXT-	3L 4G SILVER STONE METALLIC			
69-110Y		MIRROR(L), DOOR			
FD01-76-180	1				
MB	EXT-	MB 2A MONTEGO BLUE M			
NU	EXT-	NT NU VINTAGE RED			
PT	EXT-	PT VX CHAST WHITE			
PZ	EXT-	PX PZ BRILLIANT BLACK			
3L	EXT-	3L 4G SILVER STONE METALLIC			
69-116		BASE(R), MIRROR			
FD01-69-240	1				
MB	EXT-	MB 2A MONTEGO BLUE M			
NU	EXT-	NT NU VINTAGE RED			
PT	EXT-	PT VX CHAST WHITE			
PZ	EXT-	PX PZ BRILLIANT BLACK			
3L	EXT-	3L 4G SILVER STONE METALLIC			
69-116Z		BASE(L), MIRROR			

6900 VISORS,ASSIST HANDLES & MIRRORS

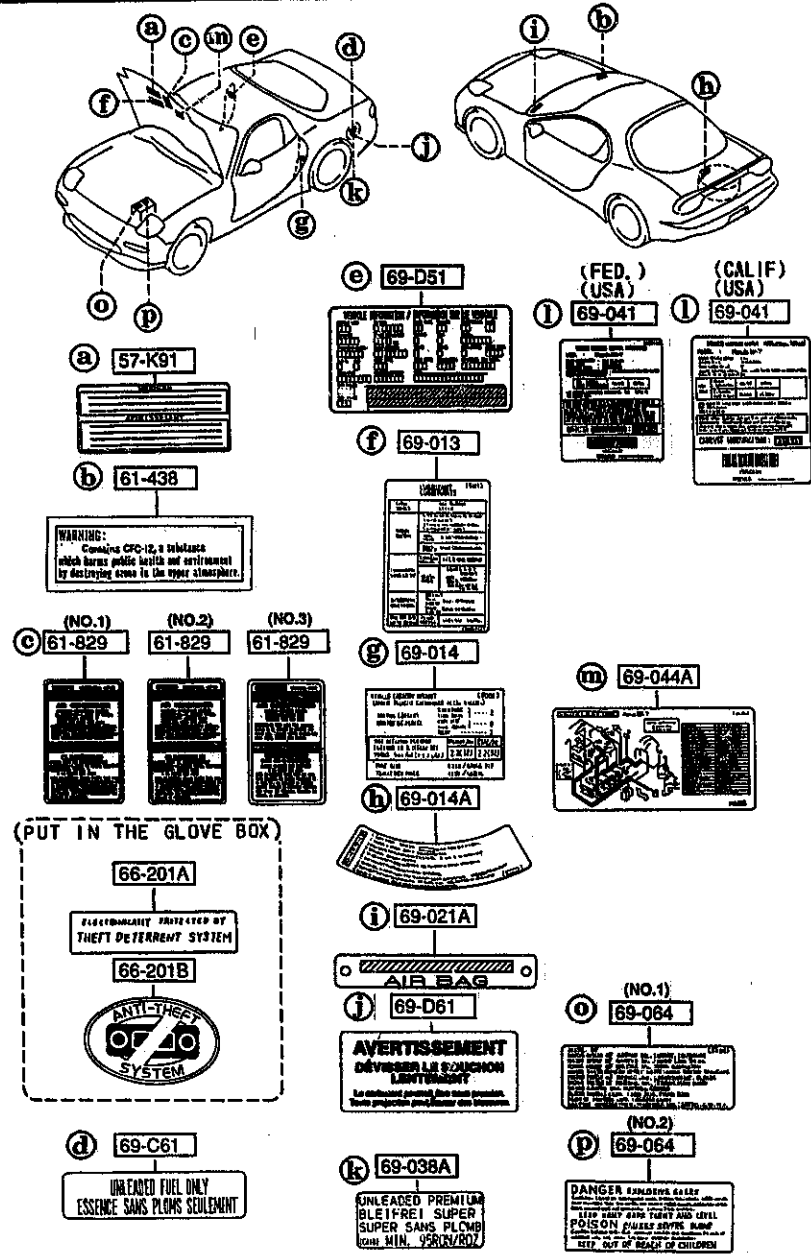


PART NO.	QTY	MODEL/RESTRICTION	MODEL/RESTRICTION	MODEL/RESTRICTION	FROM-TO
CONT'D					
FD01-69-242	1				
M8	EXT-	M8 2A MONTEGO BLUE M			
NU	EXT-	NT NU VINTAGE RED			
PT	EXT-	PT VX CHAST WHITE			
PZ	EXT-	PX PZ BRILLIANT BLACK			
3L	EXT-	3L 4G SILVER STONE METALLIC			
69-140A		GLASS(R),MIRROR			
FD01-69-123	1				
69-140Y		GLASS(L),MIRROR			
FD01-69-183	1				
69-170		MIRROR,INTERIOR			
HG31-69-220C	1				
69-210		SUN VISOR(R)			
FD01-69-270C	1	(STEEL SUN-RF) (GLASS SUN-RF)			
02	INT-	FE5 FE6 FE7 BLACK			
FD03-69-270C	1	(W/O SUN-RF)			
02	INT-	FE5 FE6 FE7 BLACK			
69-210Z		SUN VISOR(L)			
FD15-69-320	1	(W/O SUN-RF)			
02	INT-	FE5 FE6 FE7 BLACK			
FD18-69-320	1	(STEEL SUN-RF) (GLASS SUN-RF)			
02	INT-	FE5 FE6 FE7 BLACK			
69-240A		BASE,INTERIOR MIRROR			
HG31-69-240	1				
69-261		ADAPTER,SUN VISOR			
GA5R-69-261	2				
02	INT-	FE5 FE6 FE7 BLACK			
69-263		COVER,CENTER ADAPTER			

6900 VISORS, ASSIST HANDLES & MIRRORS



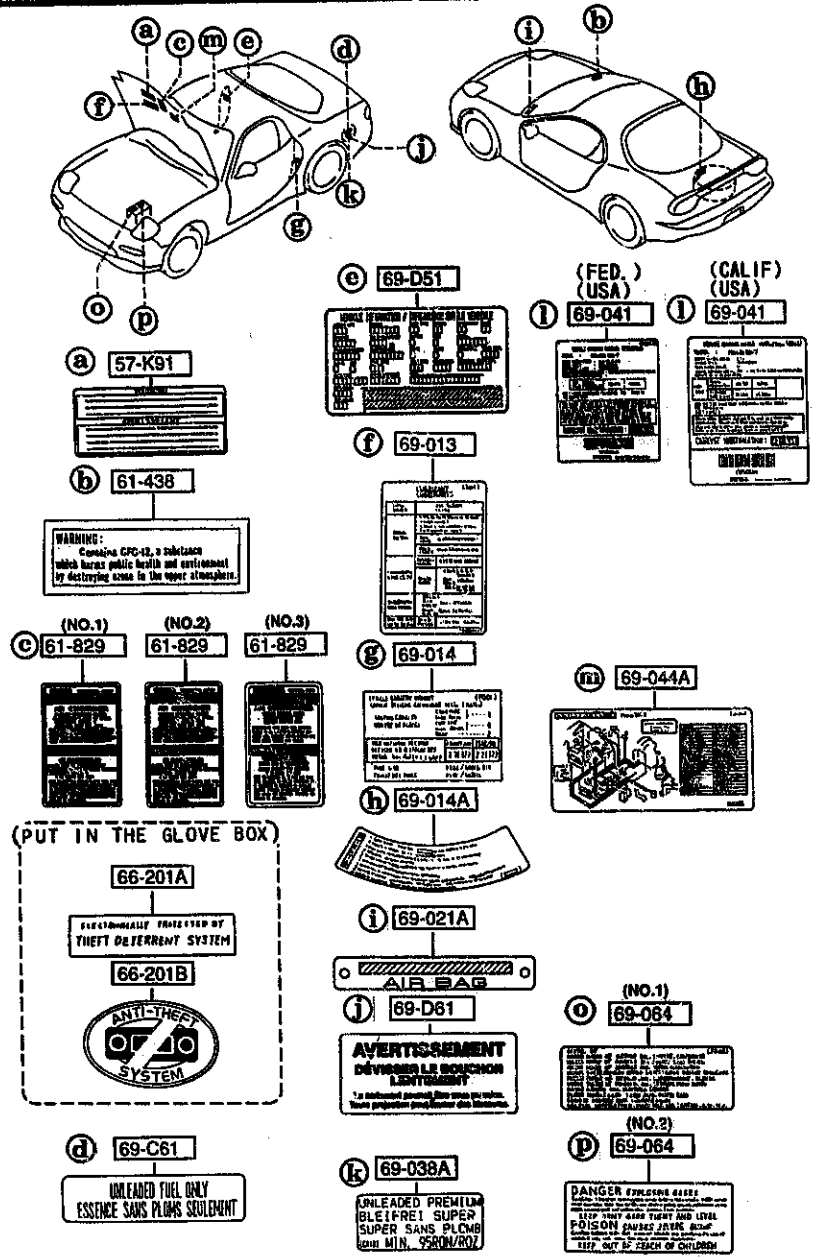
PART NO.	QTY.	MODEL/RESTRICTION	MODEL/RESTRICTION	MODEL/RESTRICTION	FROM-TO
CONT'D					
GA5R-69-263	2				
02	INT-	FE5 FE6 FE7 BLACK			
↑ 69-277 ↓		COVER, SUN VISOR			
GA5R-69-277	2				
02	INT-	FE5 FE6 FE7 BLACK			



PART NO.	QTY	MODEL/RESTRICTION	MODEL/RESTRICTION	MODEL/RESTRICTION	FROM-TO
57-K91	1	LABEL 'A', CAUTION-A/B			
KA78-57-K91	1				
61-438	1	LABEL, CAUTION (A)			
BR70-61-438	1				
61-829	1	LABEL, CAUTION (W/AIR CON.) (ILLUST. NO.1)			
FD15-61-439	1				
69-041	1	LABEL, CAUTION (A) (ILLUST. NO.2)			
FD16-61-439	1				
69-041	1	LABEL, CAUTION (A) (ILLUST. NO.3)			
NA01-61-439	1				
66-201A	1	LABEL, BURGLAR ALARM			
FB01-66-201	1				
66-201B	1	LABEL, ANTI THEFT-AUD IO			
NA01-66-201	1				
69-C61	1	LABEL, UNLEADED FUEL			
UB40-69-C61	1				
69-D51	1	LABEL, VEHICLE INFORMATION VIN NO. IS REQUIRED			
B001-69-D51	1				
69-D61	1	LABEL, FUEL WARNING			
*KA10-69-D61A	1				
69-013	1	LABEL, OIL			
FD01-69-D21	1				
AN(FD01-69-D21A)	1				
FD01-69-D21A	1				
69-014	1	LABEL, TIRE			
FD01-69-014	1				
69-014A	1	LABEL, TEMPORARY TIRE			
FD03-69-074A	1	ENGLISH			
FD04-69-074	1	FRENCH			
3807 FD333*-300032					
4201 FD333*-302262					

-3807
3807-4201

6930 CAUTION PLATES & LABELS



PART NO.	QTY	MODEL/RESTRICTION	MODEL/RESTRICTION	MODEL/RESTRICTION	FROM-TO
CONT'D	1				
69-021A	1	PLATE, CAUTION			
NA01-69-068A	1				
69-038A	1	LABEL, GASOLINE			
HG30-69-065	1				
69-041	1	LABEL, EMISSION			
N3C1-69-036A	1	(FED. -MT)			
N3C2-69-036A	1	(CALIF. -MT)			
N3C3-69-036	1	(FED. -AT)			
N3C4-69-036 A (N3C4-69-036A)	1				-3823
N3C4-69-036A	1	(CALIF. -AT)			3823-
69-044A	1	LABEL, VAC. DIAPHRAGM			
N3A1-69-044B	1	(USA)			
69-064	1	LABEL, BATTERY			
FA03-69-C72A	1	(ILLUST. NO.1)			
FA01-69-064A	1	(ILLUST. NO.2)			
3823 FD333X-300187					

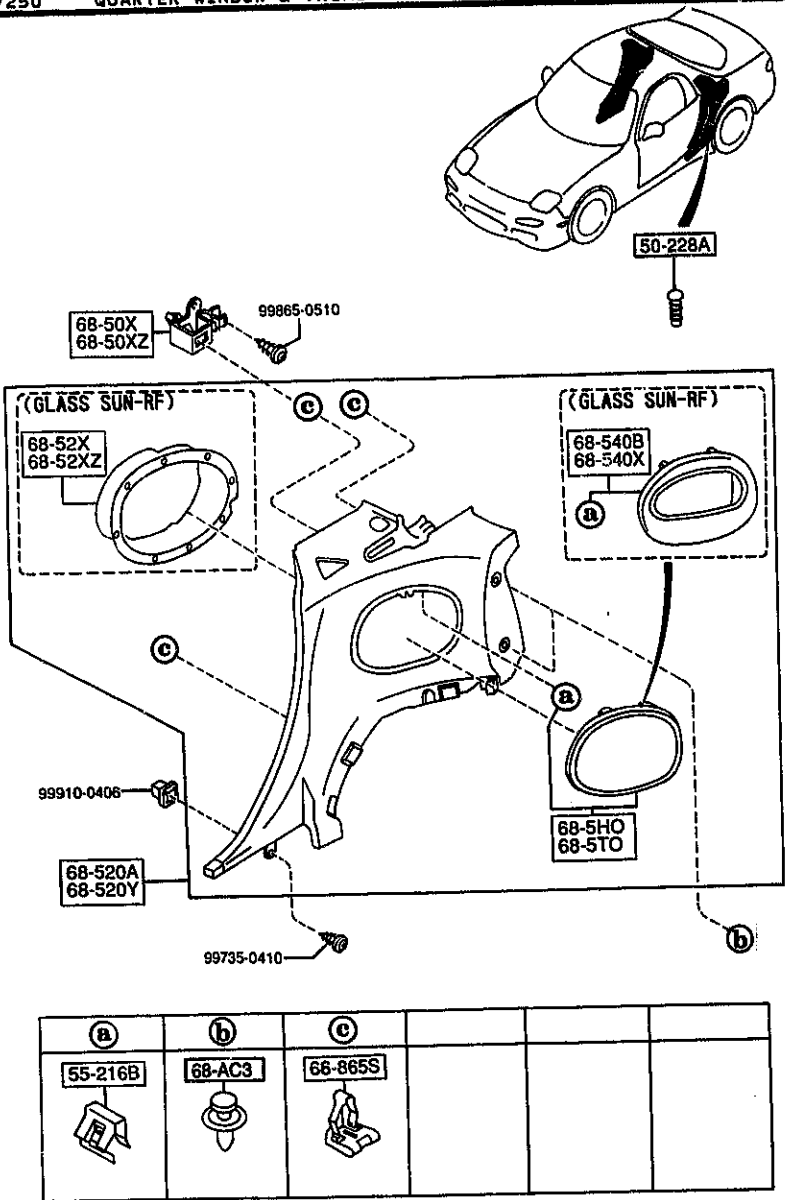
AUFA05

CAT. AUFA05-03

1995-03

7250 QUARTER WINDOW & TRIMS

7250 -1 QUARTER WINDOW & TRIMS



PART NO.	QTY	MODEL/RESTRICTION	MODEL/RESTRICTION	MODEL/RESTRICTION	FRON-TO
50-228A D002-50-228	6	GROMMET			-3901
55-216B B092-55-257	4	SPRING,CENTER PANEL			
68-AC3 B467-68-AC3	6	FASTENER			
68-5HO FD01-68-5HOA A (FD01-68-5HOB)	1	GRILLE(R),SPEAKER			-3901
02	INT-	FE5 FE6 FE7 BLACK			
FD01-68-5HOB	1	(W/O SUN-RF) (STEEL SUN-RF)			3901-
02	INT-	FE5 FE6 FE7 BLACK			
68-5TO FD01-68-5WOA A (FD01-68-5WOB)	1	GRILLE(L),SPEAKER			-3901
02	INT-	FE5 FE6 FE7 BLACK			
FD01-68-5WOB	1	(W/O SUN-RF) (STEEL SUN-RF)			3901-
02	INT-	FE5 FE6 FE7 BLACK			
68-50X FD01-68-505	1	BRACKET(R),QUARTER T RIM			
68-50XZ FD01-68-509	1	BRACKET(L),QUARTER T RIM			
68-52X FD05-68-5C1	1	POCKET(R),QTR. TRIM (GLASS SUN-RF)			
02	INT-	FE5 FE6 FE7 BLACK			
68-52XZ FD05-68-5N1	1	POCKET(L),QTR. TRIM (GLASS SUN-RF)			
02	INT-	FE5 FE6 FE7 BLACK			
68-520A FD05-68-520F	1	TRIM(R),QUARTER (GLASS SUN-RF)			
3901 FD333*-300438					

AUFA05

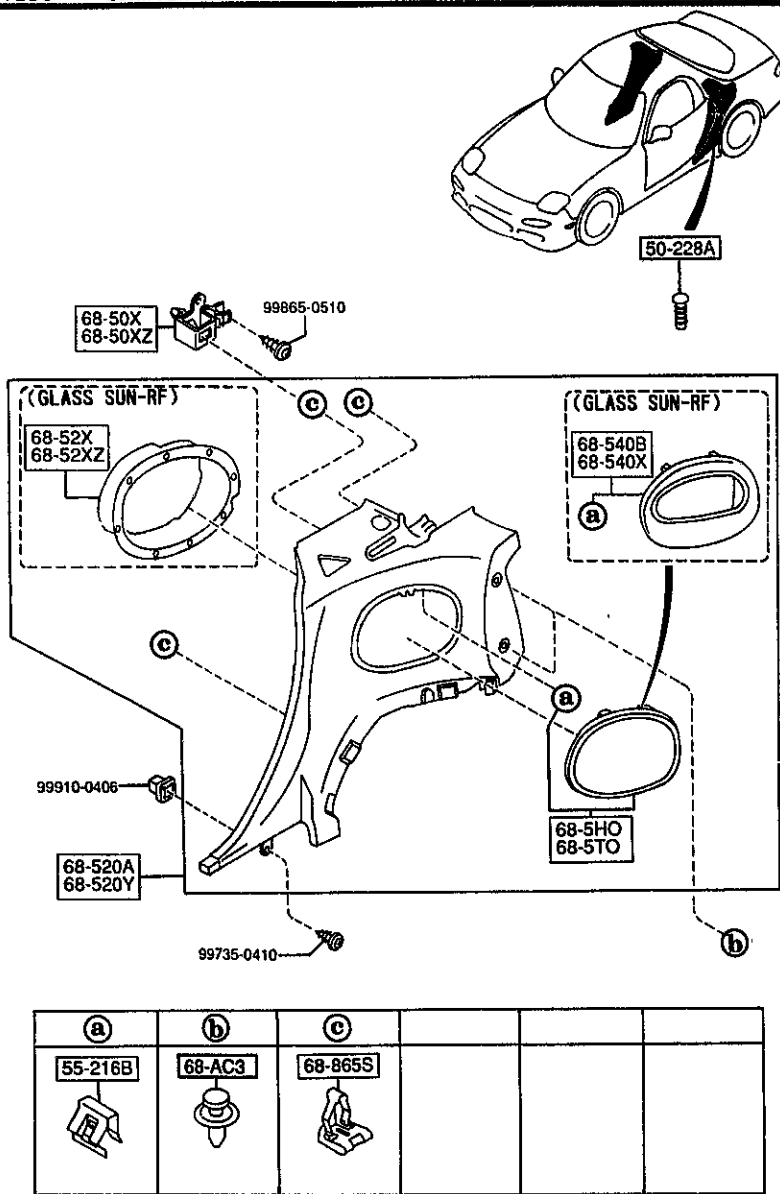
CAT. AUFA05-03

1995-03

3-J10

7250 QUARTER WINDOW & TRIMS

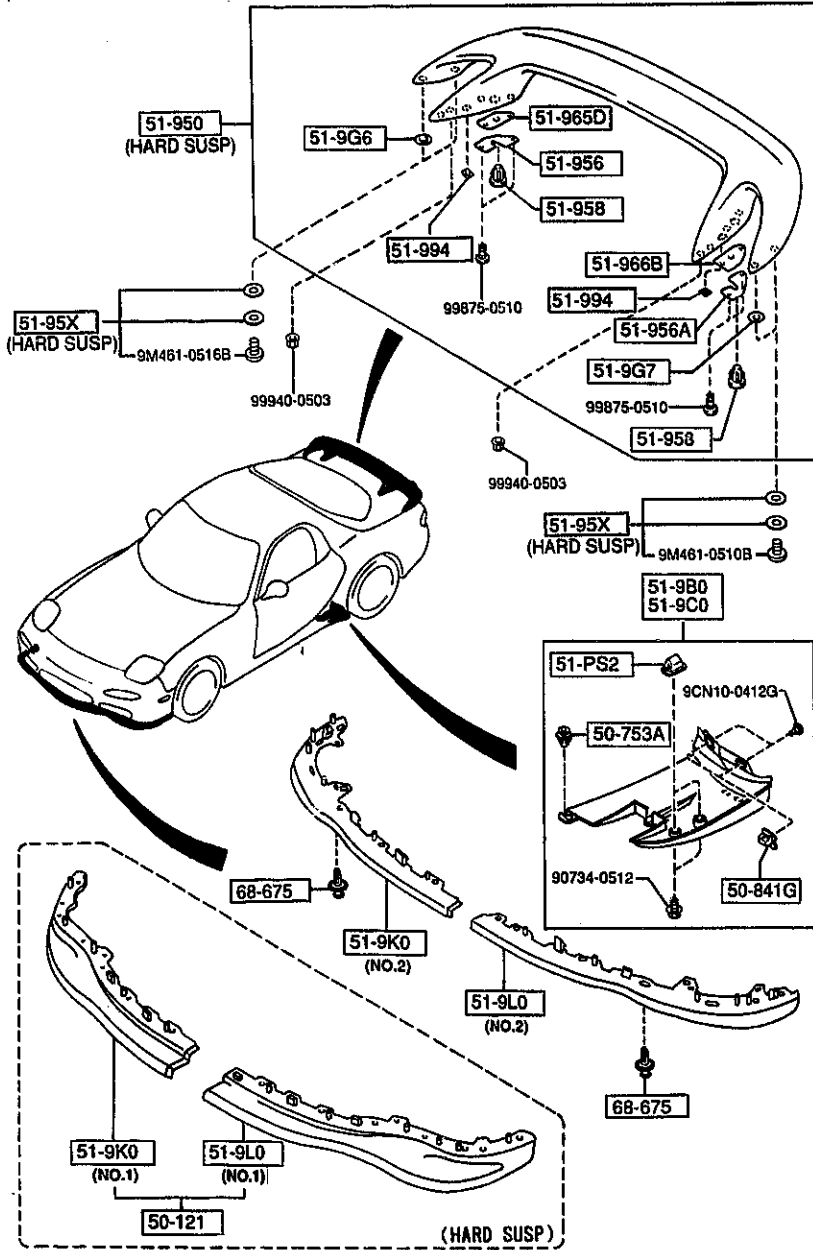
7250 -2 * QUARTER WINDOW & TRIMS



PART NO.	QTY	MODEL/RESTRICTION	MODEL/RESTRICTION	MODEL/RESTRICTION	FROM-TO
CONT'D					
02	INT-	FE5 FE6 FE7 BLACK			-3901
FD01-68-520G A (FD01-68-520H)	1				
02	INT-	FE5 FE6 FE7 BLACK			3901-
FD01-68-520H	1	(W/O SUN-RF) (STEEL SUN-RF)			
02	INT-	FE5 FE6 FE7 BLACK			
68-520Y		TRIM(L), QUARTER			
FD05-68-550F	1	(GLASS SUN-RF)			
02	INT-	FE5 FE6 FE7 BLACK			
FD01-68-550G A (FD01-68-550H)	1				-3901
02	INT-	FE5 FE6 FE7 BLACK			3901-
FD01-68-550H	1	(W/O SUN-RF) (STEEL SUN-RF)			
02	INT-	FE5 FE6 FE7 BLACK			
68-540B		COVER(R), QTR. TRIM			
FD05-68-5CX	1	(GLASS SUN-RF)			
02	INT-	FE5 FE6 FE7 BLACK			
68-540X		COVER(L), QTR. TRIM			
FD05-68-5NX	1	(GLASS SUN-RF)			
02	INT-	FE5 FE6 FE7 BLACK			
68-865S		CLIP, TRIM			
GJ12-68-865	18				
3901 FD333X-300438					

7800 SPOILERS & RELATED PARTS

7800 -1 SPOILERS & RELATED PARTS



PART NO.	QTY	MODEL/RESTRICTION	MODEL/RESTRICTION	MODEL/RESTRICTION	FROM-TO
50-121		DAM,AIR-SKIRT			
FD03-51-9H0	1	(HARD SUSP)			
50-753A		FASTENER			
G043-50-753	2				
50-841G		GROMMET,SCREW			
F044-51-912	4				
51-PS2		SCREW,GROMMET			
FC17-51-PS2A	4				
51-9B0		SPOILER(R),SIDE			
FD01-51-9B0B	1				
51-9C0		SPOILER(L),SIDE			
FD01-51-9C0B	1				
51-9G6		GASKET(R),SPOILER			
FD03-51-9G6	1	(HARD SUSP)			
51-9G7		GASKET(L),SPOILER			
FD03-51-9G7	1	(HARD SUSP)			
51-9K0		SKIRT(R),FRONT AIR D AM			
FD03-51-9H1A	1	(ILLUST. NO.1) (HARD SUSP)			
FD01-51-9K1	1	(ILLUST. NO.2)			
51-9L0		SKIRT(L),FRONT AIR D AM			
FD03-51-9H2A	1	(ILLUST. NO.1) (HARD SUSP)			
FD01-51-9L1	1	(ILLUST. NO.2)			
51-95X		SCREW SET			
BW1N-51-95X	4	(HARD SUSP)			
51-950		SPOILER,REAR			
FD03-51-960A	1	(HARD SUSP)			
M8	EXT-	M8 2A MONTEGO BLUE M			
NU	EXT-	NT NU VINTAGE RED			
3B02 FD333*-301137					

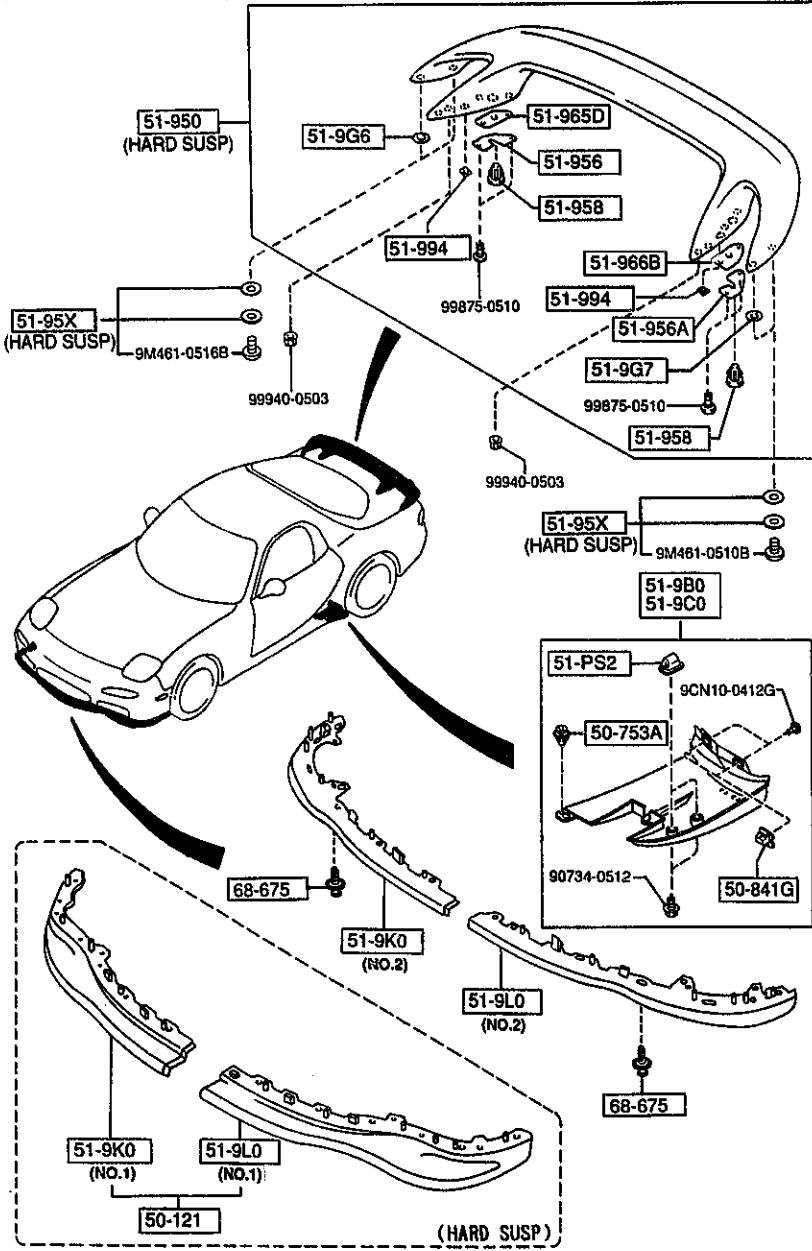
-3B02

AUFA05

CAT. AUFA05-03

1995-03

7800 SPOILERS & RELATED PARTS



7800 -2 SPOILERS & RELATED PARTS

PART NO.	QTY	MODEL/RESTRICTION	MODEL/RESTRICTION	MODEL/RESTRICTION	FROM-TO
CONT'D					
PT	EXT-	PT VX CHAST WHITE			
PZ	EXT-	PX PZ BRILLIANT BLACK			
3L	EXT-	3L 4G SILVER STONE METALLIC			
FD03-51-960B	1	(HARD SUSP)			3B02-4510
MB	EXT-	MB 2A MONTEGO BLUE M			
NU	EXT-	NT NU VINTAGE RED			
PT	EXT-	PT VX CHAST WHITE			
PZ	EXT-	PX PZ BRILLIANT BLACK			
3L	EXT-	3L 4G SILVER STONE METALLIC			
*FD03-51-960C	1	(HARD SUSP)			4510-
* MB	EXT-	MB 2A MONTEGO BLUE M			
* NU	EXT-	NT NU VINTAGE RED			
* PT	EXT-	PT VX CHAST WHITE			
* PZ	EXT-	PX PZ BRILLIANT BLACK			
* 3L	EXT-	3L 4G SILVER STONE METALLIC			
		51-956	BRACKET(R), SPOILER		
FD03-51-965	1	(HARD SUSP)			
		51-956A	BRACKET(L), SPOILER		
FD03-51-966	1	(HARD SUSP)			
		51-958	CLIP, SPOILER		
B459-51-958	2	(HARD SUSP)			
		51-965D	GASKET(C), SPOILER		
FD03-51-968	1				-3B02
AN(FD03-51-968A)					
FD03-51-968A	1	(HARD SUSP)			3B02-
		51-966B	GASKET, SPOILER		
FD03-51-969	1				-3B02
AN(FD03-51-969A)					
FD03-51-969A	1	(HARD SUSP)			3B02-
3B02 FD333*-301137					
4510 FD333*-303536					

AUFA05

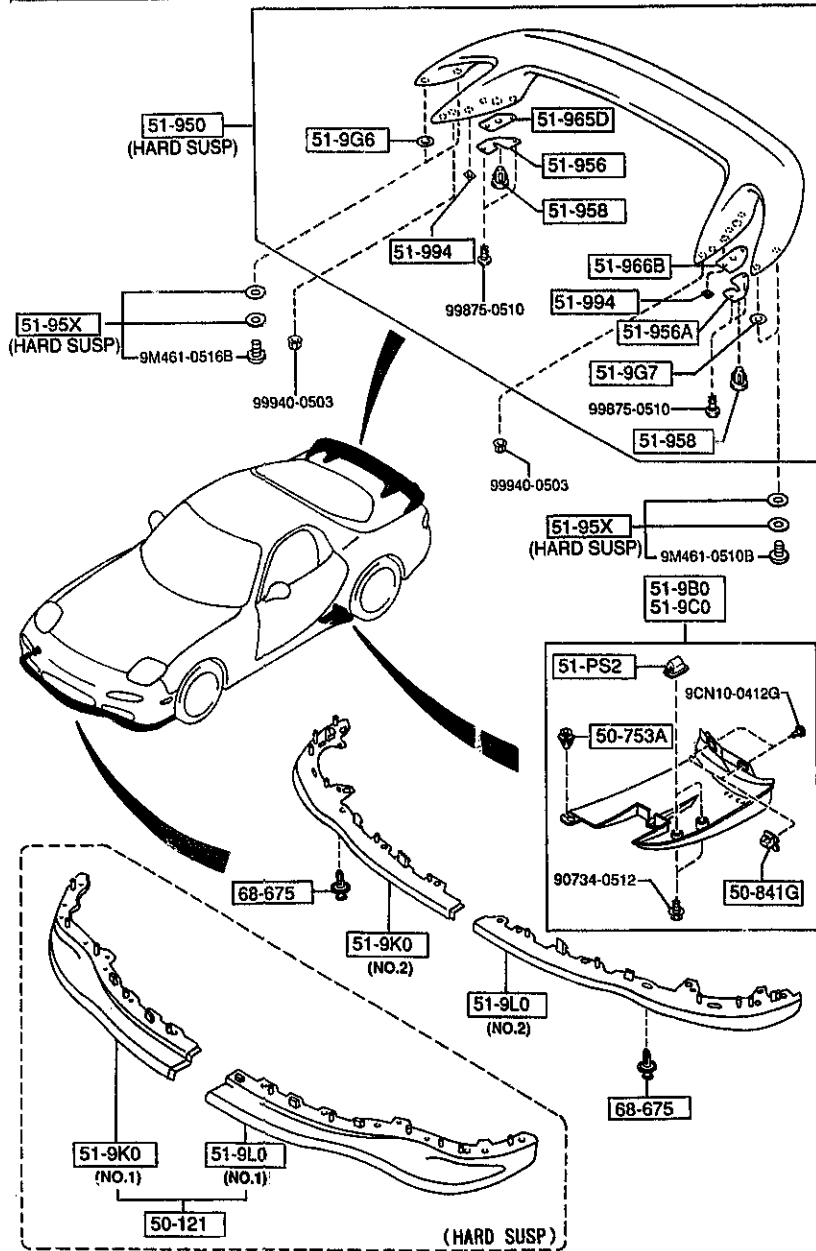
CAT. AUFA05-03

1995-03

3-M10

7800 -3 * SPOILERS & RELATED PARTS

7800 SPOILERS & RELATED PARTS



PART NO.	QTY	MODEL/RESTRICTION	MODEL/RESTRICTION	MODEL/RESTRICTION	FROM-TO
51-994		GASKET,RR SPOILER			
*FD003-51-994	2	(HARD SUSP)			4510-
68-675		FASTENER			
B100-68-675	2				
00	EXT-	M8 NT NU PT PX PZ VX 2A 3L 4G N6 BLACK			
4510 FD333*-303536					

AUFA05

CAT. AUFA05-03

1995-03