

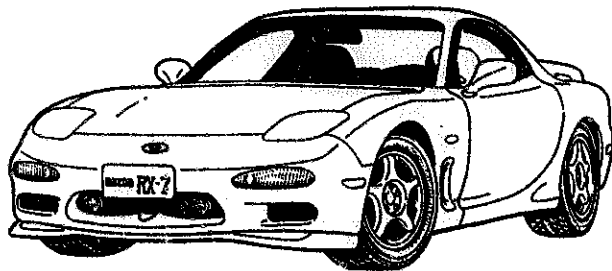
This file is available for free download at <http://www.iluvmyrx7.com>



www.iluvmyrx7.com

Parts Catalog

Mazda RX-7
U.S.A.
(95)



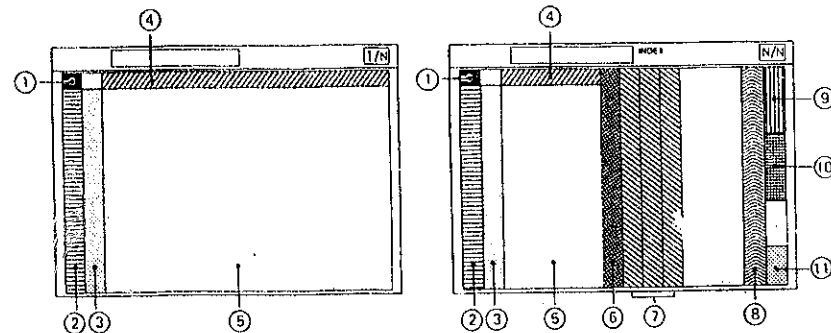
FD333 - 400001-500000

Feb. '97 (FINAL)
Catalog No. AU-FA06-04

mazda
© 1997 Mazda Motor Corporation

LAYOUT OF CONTENTS / DISPOSITION TYPOGRAPHIQUE DE CONTENU / DISPOSICION DEL CONTENIDO / ANORDNUNG DES INHALTS


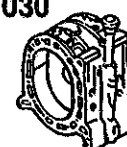

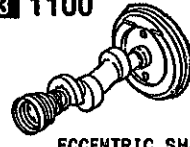

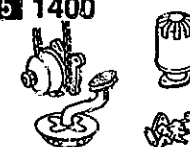
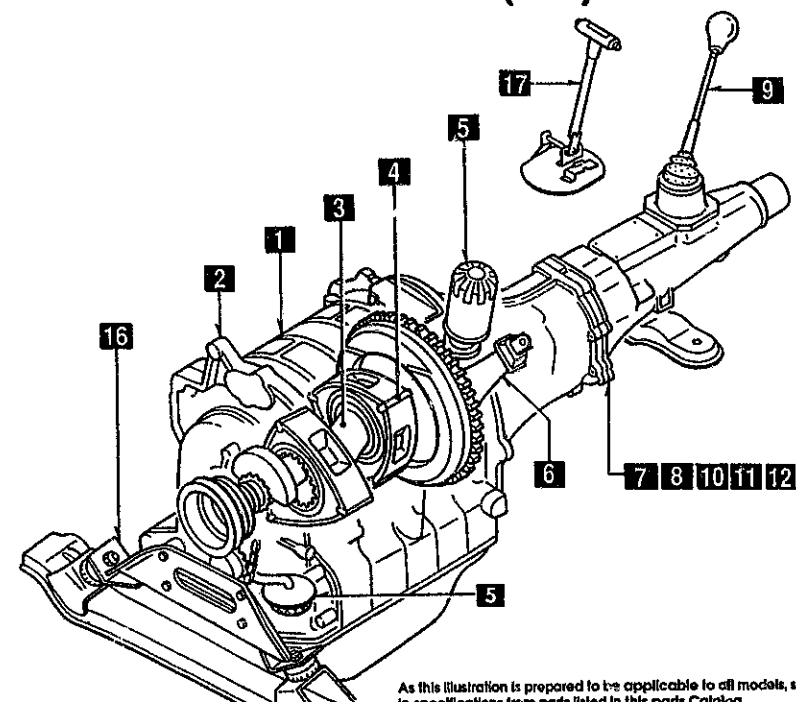
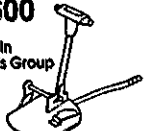
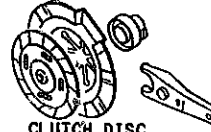
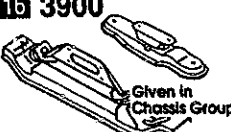
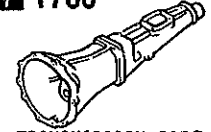
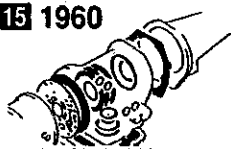


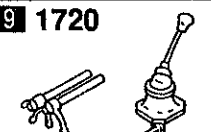
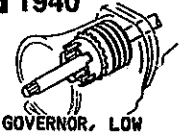
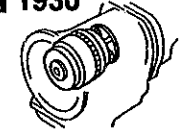
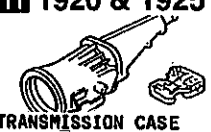

- The following is a typical example of the layout of contents on Mazda microfiche parts catalog.
- Voici un exemple typique de la disposition typographique de contenu dans les microfiches de catalogue des pièces de Mazda.
- El siguiente es un ejemplo típico de la disposición del contenido en una microficha del catálogo de repuestos de Mazda.
- Folgendes ist ein typisches Beispiel der Inhaltsanordnung des Mazda-Mikrofiche-Teilekatalogs.









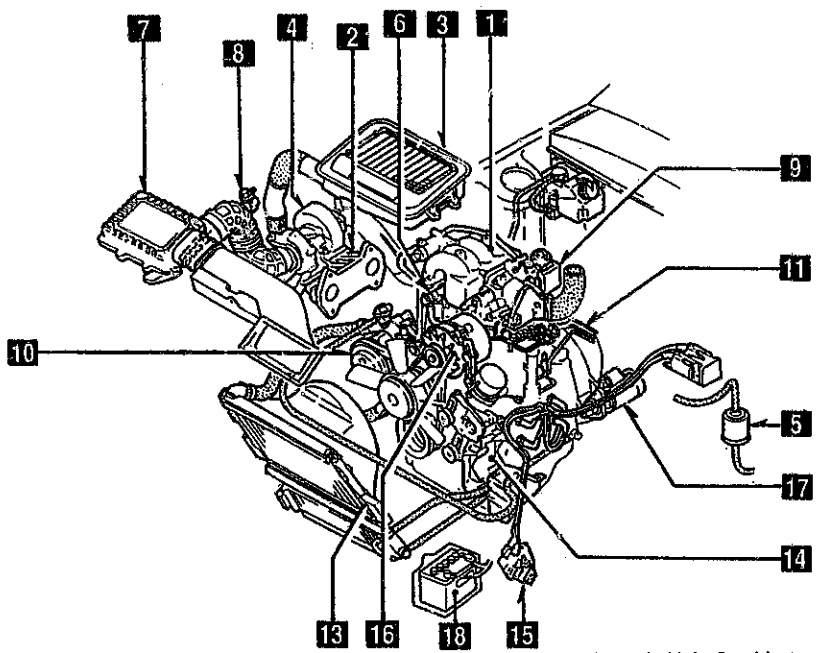
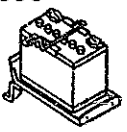
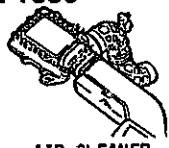
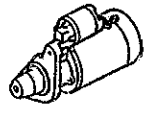

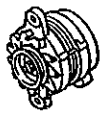
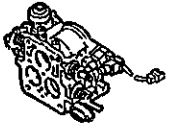
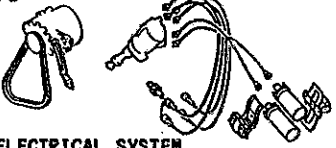
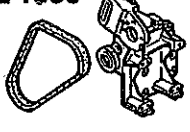
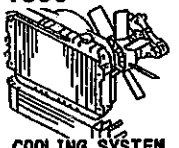


Remark : The items listed under ④ have been deleted from each fiche since Dec. '93

- | | | |
|------------------------------------------------------------------------------------------------------------------------------------------------------------------------------------------|-------------------------------------------------------------------------------------------------------------------|-------------------------------------------------------------------------------------------------------------------------------------------------------------|
| ① • Layout of contents
• Disposition Typographique de Contenu
• Disposición del contenido
• Anordnung des Inhalts | ② • Pictorial Index
• Index par Schémas
• Índice Gráfico
• Illustrierter Index | ③ • Master Section No. Index
• Index des Numéros des Sections Totale
• Índice del Número de la Sección Maestra
• Hauptabschnittsnummer-Index |
| ④ • Section No. Index for the Column
• Index des Numéros des Sections pour les Colonnes
• N° de la Sección para el Índice
• Abschnittsnummer-Index für die Spalte | ⑤ • Illustration & Text
• Illustrations et Textes
• Ilustración y Texto
• Abbildung und Text | ⑥ • Part No. Index
• Index des Numéros des Pièces
• Índice del N° de Pieza
• Teile-Nr.-Index |
| ⑦ • Alphabetical Index
• Index Alphabétique
• Índice Alfabético
• Alphabetischer Index | ⑧ • Model Identification
• Identification des Modèles
• Identificación del Modelo
• Modell-Kennzeichnung | ⑨ • Vehicle Identification System
• Système d'Identification de Véhicule
• Sistema de Identificación de Vehículo
• Fahrzeug-Identifikations-system |

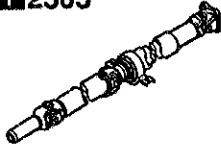



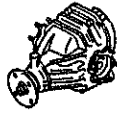



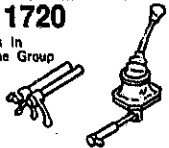
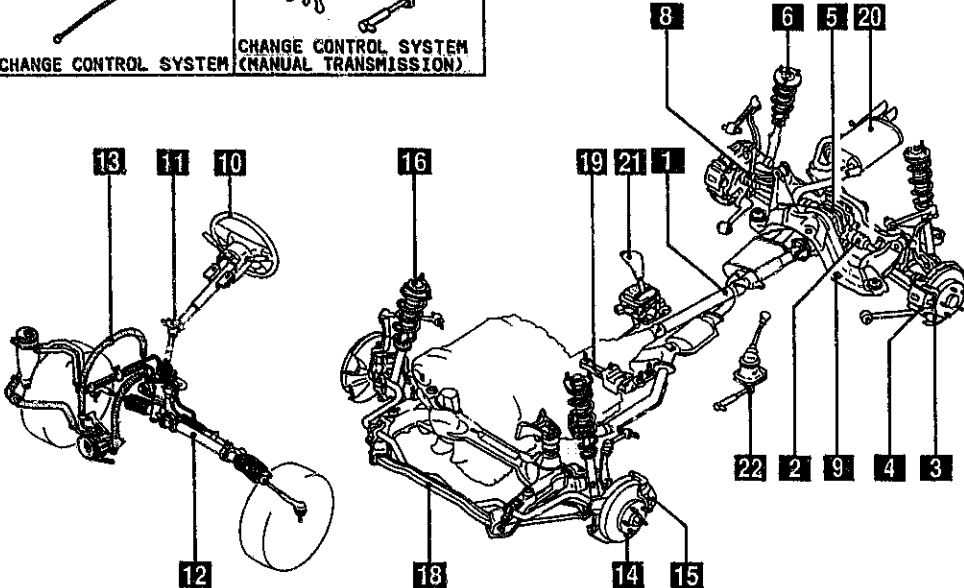
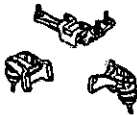

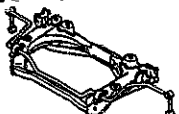





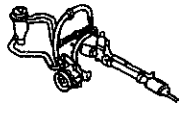
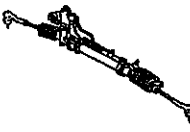

PICTORIAL INDEX

<p>1000</p>  <p style="text-align: center;">ROTOR HOUSINGS</p>	<p>1 1030</p>  <p style="text-align: center;">ROTOR HOUSINGS</p>	<p>2 1040</p>  <p style="text-align: center;">OIL PAN, FRONT & REAR HOUSING</p>	<p>3 1100</p>  <p style="text-align: center;">ECCENTRIC SHAFT & FLYWHEEL</p>	<p>4 1110</p>  <p style="text-align: center;">ROTORS & RELATED PARTS</p>	<p>5 1400</p>  <p style="text-align: center;">OIL PUMP & FILTER</p>
<p>ENGINE (1/2)</p> 					
<p>17 4600</p> <p>Given In Chassis Group</p>  <p style="text-align: center;">CHANGE CONTROL SYSTEM (AT)</p>	<p>As this illustration is prepared to be applicable to all models, some parts are different in specifications from parts listed in this parts Catalog.</p>				<p>6 1600</p>  <p style="text-align: center;">CLUTCH DISC & COVER (MANUAL)</p>
<p>16 3900</p> <p>Given In Chassis Group</p>  <p style="text-align: center;">ENGINE & T/MISSION MOUNTINGS</p>					<p>7 1700</p>  <p style="text-align: center;">TRANSMISSION CASE (MANUAL)</p>
<p>15 1960</p>  <p style="text-align: center;">GASKET & SEAL KIT (AUTOMATIC)</p>					<p>8 1710</p>  <p style="text-align: center;">TRANSMISSION GEARS (MANUAL)</p>
<p>14 1950</p>  <p style="text-align: center;">MANUAL LINKAGE SYSTEM (AUTOMATIC)</p>	<p>9 1720</p>  <p style="text-align: center;">CHANGE CONTROL SYSTEM (MANUAL)</p>				
<p>13 1940</p>  <p style="text-align: center;">GOVERNOR, LOW & REVERSE PISTON (AUTOMATIC)</p>	<p>12 1930</p>  <p style="text-align: center;">CLUTCHES & PLANETARY GEARS (AUTOMATIC)</p>				
<p>11 1920 & 1925</p>  <p style="text-align: center;">TRANSMISSION CASE & MAIN CONTROL SYSTEM (AUTOMATIC)</p>	<p>10 1910</p>  <p style="text-align: center;">TORQUE CONVERTER, OIL PUMP & PIPINGS (AUTOMATIC)</p>				

PICTORIAL INDEX

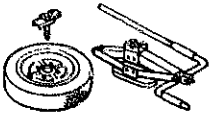
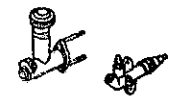


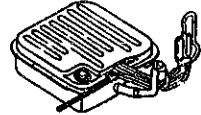
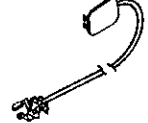
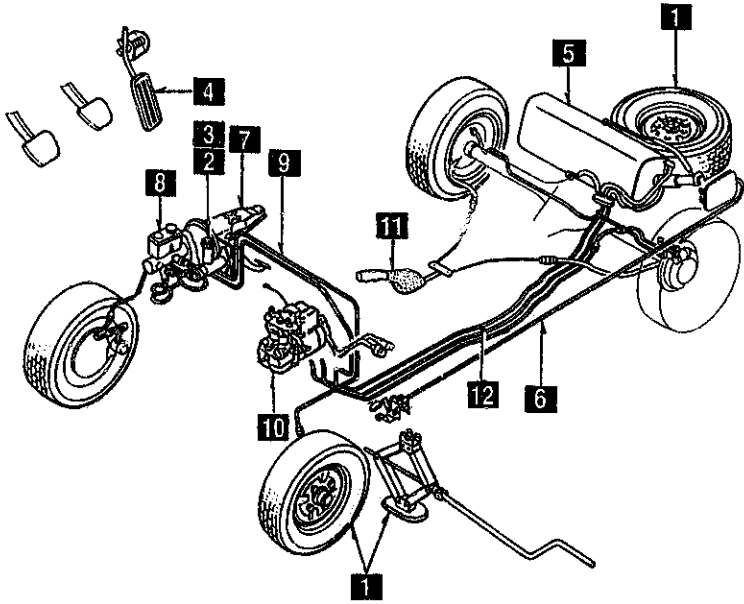
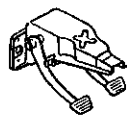
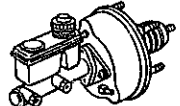

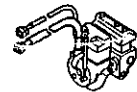

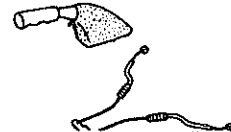
1 1300  INLET MANIFOLD	2 1310  EXHAUST MANIFOLD	3 1311  INTER COOLER	4 1312  TURBO CHARGER	5 1320  FUEL SYSTEM	6 1325  FUEL DISTRIBUTOR
<h3 style="margin: 0;">ENGINE (2/2)</h3> 					
13 1850  BATTERY					7 1330  AIR CLEANER
17 1840  STARTER					8 1313  TWIN TURBO AIR INTAKE SYSTEM
16 1830  ALTERNATOR					9 1364  THROTTLE BODY
As this illustration is prepared to be applicable to all models, some parts are different in specifications from parts listed in this parts Catalog.					
15 1800  ENGINE ELECTRICAL SYSTEM	14 1580  BRACKET, PULLEY & BELT	13 1500  COOLING SYSTEM	12	11 1380  EMISSION CONTROL SYSTEM	10 1371  AIR PUMP & AIR CONTROL VALVE

PICTORIAL INDEX

<p>1 2505</p>  <p>REAR PROPELLER SHAFT</p>	<p>2 2550</p>  <p>REAR DRIVE SHAFT</p>	<p>3 2600</p>  <p>REAR AXLE</p>	<p>4 2610</p>  <p>REAR BRAKE MECHANISMS</p>	<p>5 2710</p>  <p>REAR DIFFERENTIALS</p>	<p>6 2800</p>  <p>REAR SUSPENSION MECHANISMS</p>
<p>20 4000</p>  <p>EXHAUST SYSTEM</p>	<p>21 4600</p>  <p>CHANGE CONTROL SYSTEM</p>	<p>22 1720 Given In Engine Group</p>  <p>CHANGE CONTROL SYSTEM (MANUAL TRANSMISSION)</p>	<h3 style="margin: 0;">CHASSIS (1/2)</h3> 		<p>7</p>
<p>19 3900</p>  <p>ENGINE & TRANSMISSION MOUNTINGS</p>	<p>13 11 10</p> <p>16</p> <p>19 21 1</p> <p>12</p> <p>18</p> <p>14 15</p>			<p>8 2810</p>  <p>REAR STABILIZER</p>	
<p>18 3410</p>  <p>CROSSMEMBER & STABILIZER</p>				<p>9 2830</p>  <p>REAR LOWER ARMS & SUB FRAME</p>	
<p>17</p>				<p>10 3200</p>  <p>STEERING WHEEL</p>	
<p>16 3400</p>  <p>FRONT SUSPENSION MECHANISMS</p>	<p>15 3310</p>  <p>FRONT BRAKE MECHANISMS</p>	<p>14 3300</p>  <p>FRONT AXLE</p>	<p>13 3240</p>  <p>POWER STEERING SYSTEM (FRONT)</p>	<p>12 3220</p>  <p>STEERING GEAR</p>	<p>11 3210</p>  <p>STEERING COLUMN & SHAFTS</p>



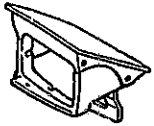
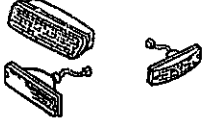
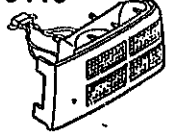
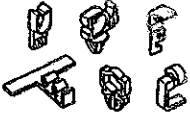
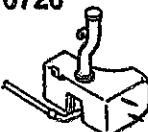
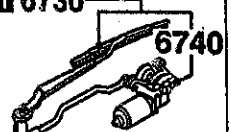

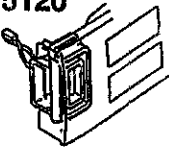

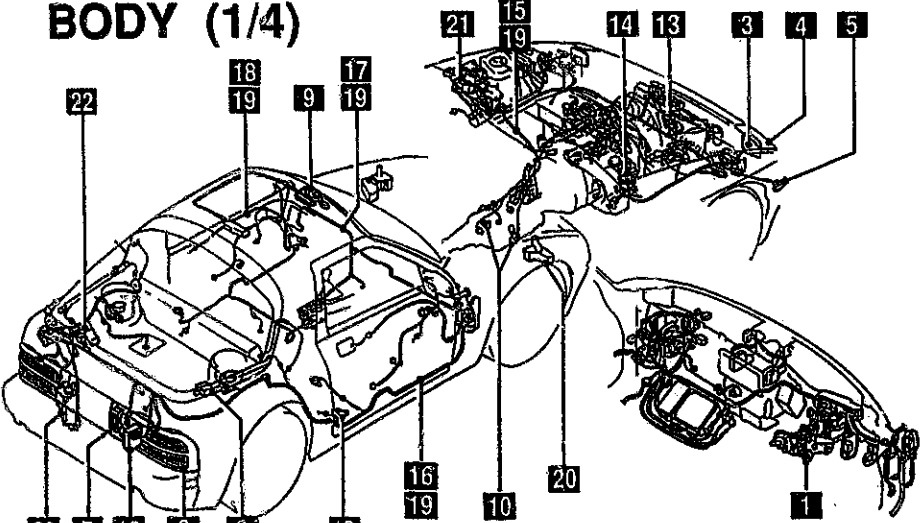
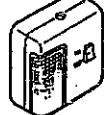



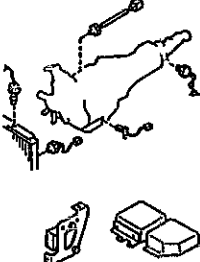




As this illustration is prepared to be applicable to all models, some parts are different in specifications from parts listed in this parts Catalog.

PICTORIAL INDEX










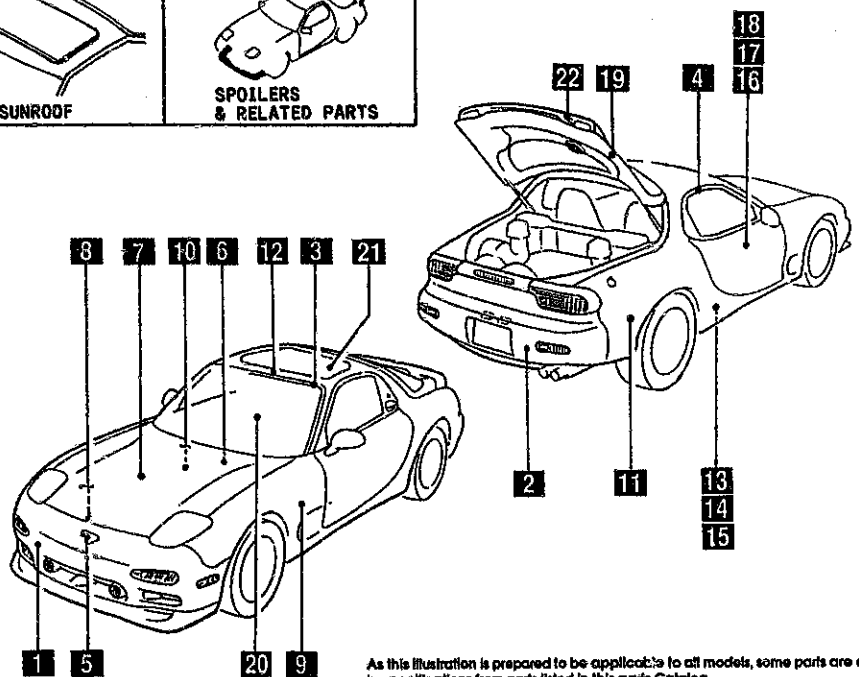
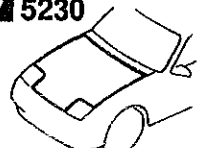

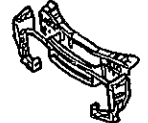





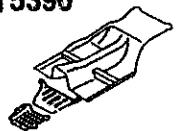

1 3700  TIRES & JACK	2 4140  CLUTCH RELEASE & MASTER CYLINDERS	3 4145  CLUTCH PIPINGS	4 4160  ACCELERATOR CONTROL SYSTEM	5 4200  FUEL TANK	6 4210  FUEL LID OPENER
<h3 style="margin: 0;">CHASSIS (2/2)</h3> 					
					7 4300  CLUTCH & BRAKE PEDALS
					8 4340  BRAKE MASTER CYLINDER & POWER BRAKE
					9 4360  BRAKE PIPINGS
					10 4370  ANTI-LOCK BRAKE SYSTEM
				12 4500  FUEL PIPINGS	11 4400  PARKING BRAKE SYSTEM

As this illustration is prepared to be applicable to all models, some parts are different in specifications from parts listed in this parts Catalog.

PICTORIAL INDEX


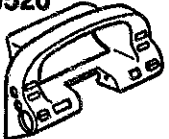

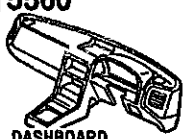
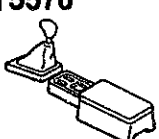




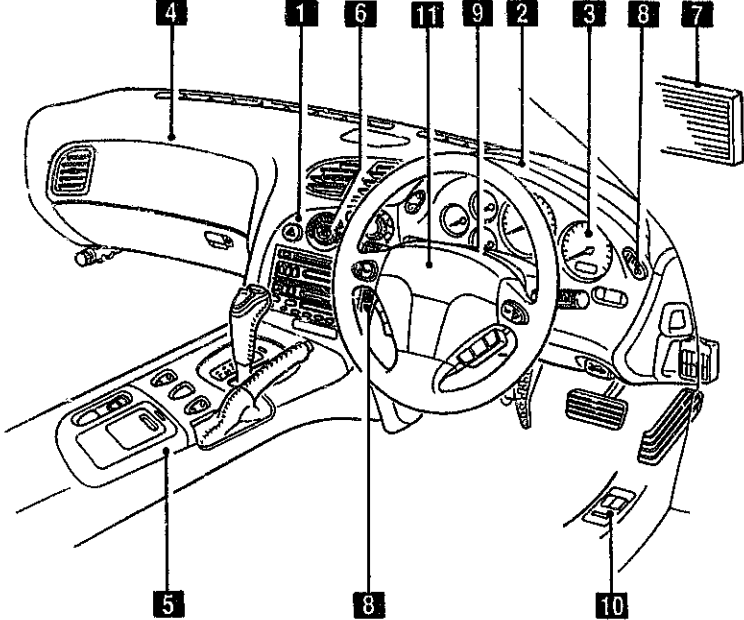

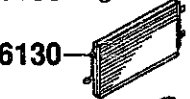
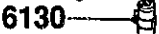


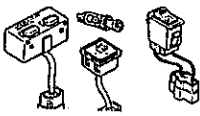
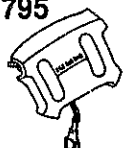
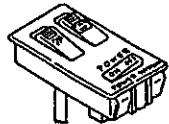
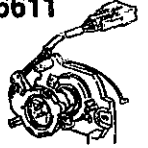
<p>1 0900</p>  <p>KEY SETS</p>	<p>2</p>	<p>3 5100</p>  <p>HEAD LAMPS</p>	<p>4 5103</p>  <p>HEAD LAMP RETRACTORS</p>	<p>5 5105</p>  <p>FRONT COMBINATION LAMPS</p>	<p>6 5110</p>  <p>REAR COMBINATION LAMPS</p>
<p>19 6704</p>  <p>WIRING HARNESS CLAMPS</p>	<p>20 6720</p>  <p>WINDSHIELD WASHER</p>	<p>21 6730</p>  <p>WINDSHIELD WIPERS</p>	<p>22 6750</p>  <p>WINDOW WIPER & WASHER (REAR)</p>		<p>7 5120</p>  <p>LICENSE LAMPS</p>
<p>18 6703</p>  <p>WIRING HARNESSSES (DOOR, FLOOR/CEILING)</p>	<p>BODY (1/4)</p>  <p style="font-size: small; text-align: center;">As this illustration is prepared to be applicable to all models, some parts are different in specifications from parts listed in this parts Catalog.</p>				<p>8 5125</p>  <p>INTERIOR LAMPS</p>
<p>17 6702</p>  <p>WIRING HARNESSSES (DASHBOARD)</p>					<p>9 5130</p>  <p>OVERHEAD CONSOLE</p>
<p>16 6700</p>  <p>WIRING HARNESSSES (FRONT & REAR)</p>					<p>10 6600</p>  <p>SWITCHES & RELAYS (ENGINE)</p>
<p>15 6701</p>  <p>WIRING HARNESSSES (ENGINE & T/MISSION)</p>	<p>14 6640</p>  <p>AUTO CRUISE CONTROL SYSTEM</p>	<p>13 6635</p>  <p>DOOR SWITCH & HORNS</p>	<p>12 6630</p>  <p>RELAYS & UNIT (BODY)</p>	<p>11</p>	

PICTORIAL INDEX

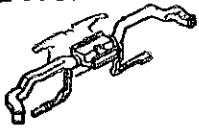


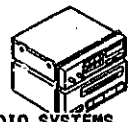

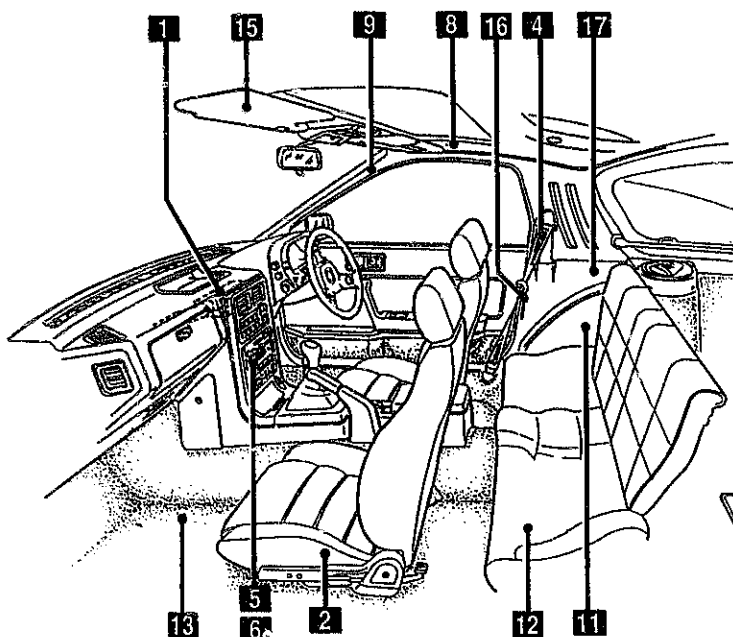
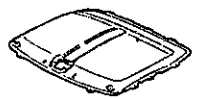


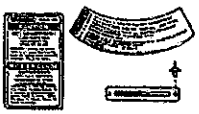


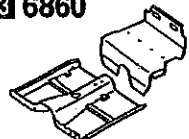
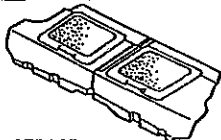

1 5000  FRONT BUMPER	2 5010  REAR BUMPER	3 5030  WINDOW MOULDINGS	4 5040  BODY MOULDINGS	5 5170  ORNAMENTS	6 5180  COWL & EXTRACTOR GRILLES
20 6300  WINDOW GLASSES	21 6330  SUNROOF	22 7800  SPOILERS & RELATED PARTS	<h3 style="margin: 0;">BODY (2/4)</h3> 		7 5230  BONNET
19 6230  LIFT GATE MECHANISMS	<p style="text-align: center; margin: 0;"> </p>			8 5310  FRONT PANELS	
18 5840  FRONT DOOR TRIMS & RELATED PARTS				9 5320  FENDER & WHEEL APRON PANELS	
17 5830  FRONT DOOR MECHANISMS				10 5330  DASH & COWL PANELS	
16 5800  FRONT DOORS				15 5390  FLOOR ATTACHMENTS	14 5380  FLOOR ATTACHMENTS (HOLE COVERS)

As this illustration is prepared to be applicable to all models, some parts are different in specifications from parts listed in this part Catalog.

PICTORIAL INDEX

1 5500  DASHBOARD EQUIPMENTS	2 5520  METER HOOD	3 5540  METER COMPONENTS	4 5560  DASHBOARD & RELATED PARTS	5 5570  CONSOLE	6  6120  6100  6110  6115 HEATER
<h3 style="margin: 0;">BODY (3/4)</h3> 					
<small>As this illustration is prepared to be applicable to all models, some parts are different in specifications from parts listed in this parts Catalog.</small>					
7  6135  6130  6130  6140  6150 AIR CONDITIONER					
8 6610  DASHBOARD SWITCHES					
11 5795  AIR BAG					
10 6615  POWER WINDOW SWITCHES					
9 6611  COMBINATION SWITCH					

PICTORIAL INDEX

<p>1 5580</p>  <p style="text-align: center;">VENTILATOR</p>	<p>2 5700</p>  <p style="text-align: center;">FRONT SEATS</p>	<p>3</p>	<p>4 5790</p>  <p style="text-align: center;">SEAT BELTS</p>	<p>5 6680</p>  <p style="text-align: center;">AUDIO SYSTEMS (RADIO & TAPE DECK)</p>	<p>6 6682</p>  <p style="text-align: center;">AUDIO SYSTEMS (ANTENNA & SPEAKER)</p>
<h3 style="margin: 0;">BODY (4/4)</h3> 					
<p>7</p>	<p><small>As this illustration is prepared to be applicable to all models, some parts are different in specifications from parts listed in this parts Catalog.</small></p>				<p>8 6800</p>  <p style="text-align: center;">CEILING TRIMS</p>
<p>17 7250</p>  <p style="text-align: center;">QUARTER WINDOW & TRIMS</p>					<p>9 6820</p>  <p style="text-align: center;">PILLAR TRIMS</p>
<p>16 6930</p>  <p style="text-align: center;">CAUTION PLATES & LABELS</p>	<p>15 6900</p>  <p style="text-align: center;">VISORS, ASSIST HANDLES & MIRRORS</p>	<p>14 6870</p>  <p style="text-align: center;">SERVICE TOOLS</p>	<p>13 6860</p>  <p style="text-align: center;">FLOOR MATS & PADS</p>	<p>12 6845</p>  <p style="text-align: center;">STRAGE BOX</p>	<p>11 6840</p>  <p style="text-align: center;">TRIMS & SCUFF PLATES</p>

SECTION NAME INDEX (ENGINE)

LO.NO	SEC.NO	SECTION NAME	LO.NO	SEC.NO	SECTION NAME	LO.NO	SEC.NO	SECTION NAME
1-C03	1000	ENGINE & GASKET SETS	1-M11	1940	AUTOMATIC TRANSMISSION GOVERNO R, LOW & REVERSE PISTON			
1-D03	1030	ROTOR HOUSING	1-K11	1950	AUTOMATIC TRANSMISSION MANUAL LINKAGE SYSTEM			
1-G03	1040	OIL PAN, FRONT & REAR HOUSING	1-M11	1960	AUTOMATIC TRANSMISSION GASKET & SEAL KIT			
1-I03	1100	ECCENTRIC SHAFT & FLYWHEEL						
1-L03	1110	ROTORS & RELATED PARTS						
1-N03	1300	INLET MANIFOLD						
1-C04	1310	EXHAUST MANIFOLD						
1-D04	1311	INTER COOLER						
1-E04	1312	TURBO CHARGER						
1-G04	1313	TWIN TURBO AIR INTAKE SYSTEM						
1-I04	1320	FUEL SYSTEM						
1-K04	1325	FUEL DISTRIBUTOR						
1-M04	1330	AIR CLEANER						
1-D05	1364	THROTTLE BODY						
1-F05	1371	AIR PUMP & AIR CONTROL VALVE						
1-H05	1380	EMISSION CONTROL SYSTEM						
1-D06	1400	OIL PUMP & FILTER						
1-G06	1500	COOLING SYSTEM						
1-N06	1580	BRACKET, PULLEY & BELT						
1-C07	1600	CLUTCH DISC & COVER						
1-E07	1700	MANUAL TRANSMISSION CASE						
1-J07	1710	MANUAL TRANSMISSION GEARS						
1-D08	1720	MANUAL TRANSMISSION CHANGE CON TROL SYSTEM						
1-F08	1800	ENGINE ELECTRICAL SYSTEM						
1-I08	1830	ALTERNATOR						
1-K08	1840	STARTER (MT)						
1-M08	1840 A	STARTER (AT)						
1-C09	1850	BATTERY						
1-D09	1910	AUTOMATIC TRANSMISSION TORQUE CONVERTER, OIL PUMP & PIPINGS						
1-I09	1920	AUTOMATIC TRANSMISSION CASE & MAIN CONTROL SYSTEM						
1-C10	1925	AUTOMATIC TRANSMISSION CONTROL VALVE						
1-K10	1930	AUTOMATIC TRANSMISSION CLUTCHE S & PLANETARY GEARS						

CATLOG-NO= AUFA06-04

DATE, 1997-01

PAGE, 1

SECTION NAME INDEX (CHASSIS)

LO.NO	SEC.NO	SECTION NAME	LO.NO	SEC.NO	SECTION NAME	LO.NO	SEC.NO	SECTION NAME
2-C03	2505	REAR PROPELLER SHAFT						
2-D03	2550	REAR DRIVE SHAFT						
2-E03	2600	REAR AXLE						
2-G03	2610	REAR BRAKE MECHANISMS						
2-J03	2710	REAR DIFFERENTIALS						
2-N03	2800	REAR SUSPENSION MECHANISMS						
2-C04	2810	REAR STABILIZER						
2-D04	2830	REAR LOWER ARMS & SUB FRAME						
2-G04	3200	STEERING WHEEL						
2-H04	3210	STEERING COLUMN & SHAFTS						
2-I04	3220	STEERING GEAR						
2-K04	3240	POWER STEERING SYSTEM						
2-M04	3300	FRONT AXLE						
2-N04	3310	FRONT BRAKE MECHANISMS						
2-C05	3400	FRONT SUSPENSION MECHANISMS						
2-F05	3410	CROSSMEMBER & STABILIZER						
2-G05	3700	TIRES & JACK						
2-C06	3900	ENGINE & T/MISSION MOUNTINGS						
2-D06	4000	EXHAUST SYSTEM						
2-G06	4140	CLUTCH RELEASE & MASTER CYLINDERS (MANUAL TRANSMISSION)						
2-I06	4145	CLUTCH PIPINGS (MANUAL TRANSMISSION)						
2-J06	4160	ACCELERATOR CONTROL SYSTEM						
2-K06	4200	FUEL TANK						
2-C07	4210	FUEL LID OPENER						
2-D07	4300	CLUTCH & BRAKE PEDALS (MANUAL TRANSMISSION)						
2-F07	4300A	BRAKE PEDALS (AUTOMATIC TRANSMISSION)						
2-G07	4340	BRAKE MASTER CYLINDER & POWER BRAKE						
2-I07	4360	BRAKE PIPINGS						
2-L07	4370	ANTILOCK BRAKE SYSTEM						
2-N07	4400	PARKING BRAKE SYSTEM						
2-C08	4500	FUEL PIPINGS						
2-F08	4600	CHANGE CONTROL SYSTEM (AT)						

CATLOG-NO= AUFA06-04

DATE. 1997-01

PAGE. 2

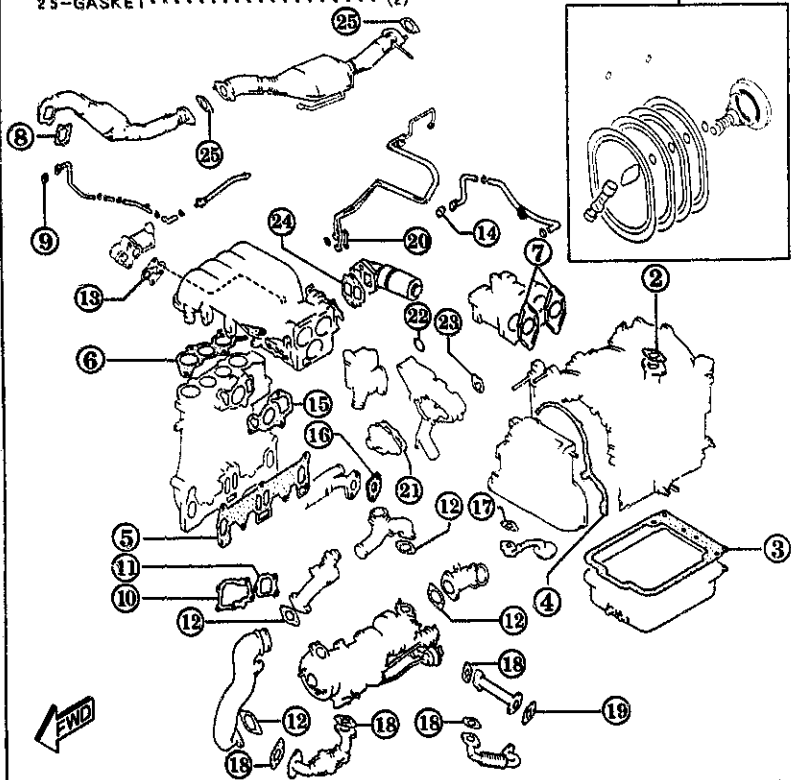
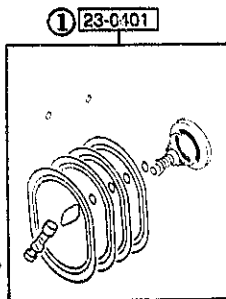
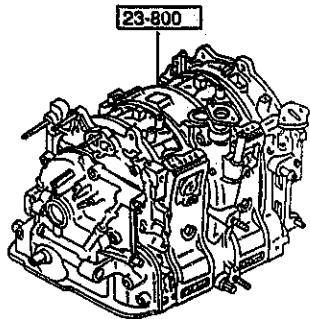
SECTION NAME INDEX (BODY)

LO.NO	SEC.NO	SECTION NAME	LO.NO	SEC.NO	SECTION NAME	LO.NO	SEC.NO	SECTION NAME
2-C10	0900	KEY SETS	2-L16	5840	FRONT DOOR TRIMS & RELATED PARTS	3-K07	6704	WIRING HARNESS CLAMPS
2-E10	5000	FRONT BUMPER	3-C03	6100	HEATER	3-L07	6720	WINDSHIELD WASHER
2-N10	5010	REAR BUMPER	3-D03	6110	HEATER UNIT COMPONENTS	3-N07	6730	WINDSHIELD WIPERS
2-J10	5030	WINDOW MOULDINGS	3-E03	6115	HEATER CONTROLS COMPONENTS	3-D08	6740	WIPER MOTOR COMPONENTS (FRONT)
2-K10	5040	BODY MOULDINGS	3-F03	6120	HEATER BLOWER COMPONENTS	3-E08	6750	WINDOW WIPER & WASHER (REAR)
2-L10	5100	HEAD LAMPS	3-G03	6130	AIR CONDITIONER (DENSO MAKE)	3-H08	6760	WINDOW WIPER MOTOR COMPONENTS (REAR)
2-N10	5103	HEAD LAMP RETRACTORS	3-J03	6130A	AIR CONDITIONER (MANA MAKE)	3-I08	6800	CEILING TRIMS
2-D11	5105	FRONT COMBINATION LAMPS	3-M03	6135	AIR CONDITIONING COOLING PIPE 'O' RING	3-J08	6820	PILLAR TRIMS
2-I11	5110	REAR COMBINATION LAMPS	3-C04	6140	AIR CONDITIONING COMPRESSOR COMPONENTS (DENSO MAKE)	3-K08	6840	TRIMS & SCUFF PLATES
2-N11	5120	LICENSE LAMPS	3-E04	6140A	AIR CONDITIONING COMPRESSOR COMPONENTS (MANA MAKE)	3-N08	6845	STRAGE BOX
2-C12	5125	INTERIOR LAMPS	3-G04	6150	AIR CONDITIONING COOLING UNIT (DENSO MAKE)	3-C09	6860	FLOOR MATS & PADS
2-D12	5130	OVERHEAD CONSOLE	3-H04	6150A	AIR CONDITIONING COOLING UNIT (MANA MAKE)	3-F09	6870	SERVICE TOOLS
2-E12	5170	ORNAMENTS	3-J04	6230	LIFT GATE MECHANISMS	3-G09	6900	SUNVISORS, ASSIST HANDLES & MIRRORS
2-F12	5180	COWL & EXTRACTOR GRILLES	3-M04	6300	WINDOW GLASSES	3-J09	6930	CAUTION PLATES & LABELS
2-H12	5230	BONNET	3-N04	6330	SUNROOF	3-L09	7250	QUARTER WINDOW & TRIMS
2-J12	5310	FRONT PANELS	3-G05	6600	ENGINE SWITCHES & RELAYS	3-N09	7800	SPOILERS & RELATED PARTS
2-K12	5320	FENDER & WHEEL APRON PANELS	3-L05	6610	DASHBOARD SWITCHES			
2-N12	5330	DASH & COWL PANELS	3-M05	6611	COMBINATION SWITCH			
2-C13	5340	SIDE PANELS	3-N05	6615	POWER WINDOW SWITCHES			
2-G13	5360	ROOF PANELS	3-C06	6630	BODY RELAYS & UNIT			
2-H13	5370	FLOOR PANELS	3-E06	6635	DOOR SWITCH & HORNS			
2-J13	5380	FLOOR ATTACHMENTS (HOLE COVERS)	3-F06	6640	AUTO CRUISE CONTROL SYSTEM			
2-L13	5390	FLOOR ATTACHMENTS	3-G06	6680	AUDIO SYSTEMS (RADIO & TAPE DECK)			
2-C14	5500	DASHBOARD EQUIPMENTS	3-J06	6682	AUDIO SYSTEMS (ANTENNA & SPEAKER)			
2-D14	5520	METER HOOD	3-N06	6700	FRONT & REAR WIRING HARNESSES			
2-E14	5540	METER COMPONENTS	3-F07	6701	ENGINE & TRANSMISSION WIRING HARNESSES			
2-G14	5560	DASHBOARD & RELATED PARTS	3-H07	6702	DASHBOARD WIRING HARNESSES			
2-K14	5570	CONSOLE	3-J07	6703	DOOR, FLOOR & CEILING WIRING HARNESSES			
2-N14	5580	VENTILATOR						
2-C15	5700	FRONT SEATS						
2-D16	5790	SEAT BELTS						
2-E16	5795	AIR BAG						
2-F16	5800	FRONT DOORS						
2-I16	5830	FRONT DOOR MECHANISMS						

1000 ENGINE & GASKET SETS

10-271S

- 1-RING SET, 'O'.....(1)
- 2-GASKET, OIL FILLER PIPE.....(1)
- 3-GASKET, OIL PAN.....(1)
- 4-GASKET, FRONT COVER.....(1)
- 5-GASKET, IN. MANIFOLD.....(1)
- 6-GASKET (NO. 2), IN. MANIFOLD.....(1)
- 7-GASKET, EX. MANIFOLD.....(2)
- 8-GASKET, JOINT PIPE.....(1)
- 9-GASKET, W PIPE.....(1)
- 10-GASKET, TURBOCHARGER.....(1)
- 11-GASKET, TURBOCHARGER.....(1)
- 12-GASKET, TURBO.....(4)
- 13-GASKET.....(1)
- 14-GASKET, SOLENOID VALVE.....(1)
- 15-GASKET, A. C. V.....(1)
- 16-GASKET, A. C. V.....(1)
- 17-GASKET, OIL STRAINER.....(1)
- 18-GASKET, OIL PIPE.....(4)
- 19-GASKET, OIL PIPE.....(1)
- 20-GASKET, METERING OIL.....(1)
- 21-GASKET, WATER PUMP.....(1)
- 22-GASKET.....(1)
- 23-GASKET, THERMOSTAT COVER.....(1)
- 24-GASKET, B. A. C. VALVE.....(1)
- 25-GASKET.....(2)



AUFA06

1000 -1 * ENGINE & GASKET SETS

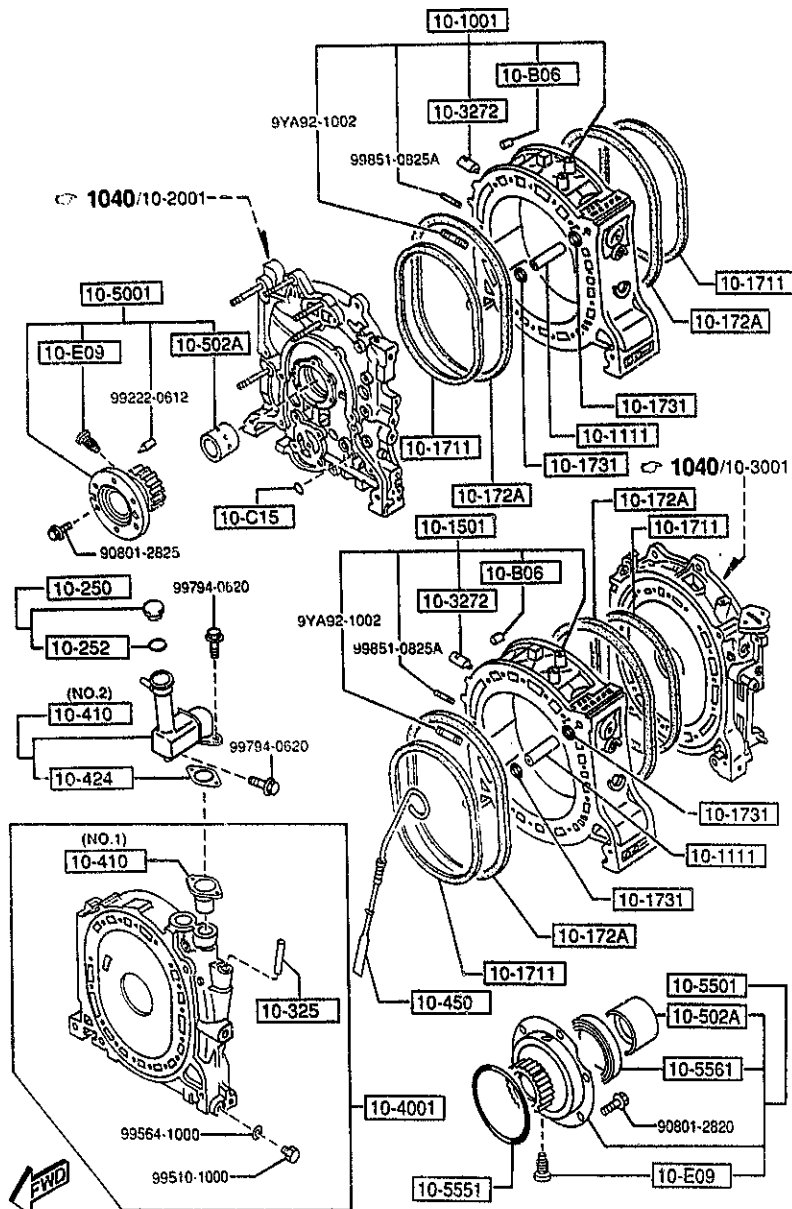
PART NO.	QTY	MODEL/RESTRICTION	MODEL/RESTRICTION	MODEL/RESTRICTION	FROM-TO
10-271S		GASKET SET,ENGINE			
8AFH-10-271	1				
23-0401		RING SET, 'O'			
NSA1-10-S60	1				
23-800		ENGINE, SHORT			
NSA1-02-200	1 (MT)				
NSA2-02-200	1 (AT)				

CAT. AUFA06-06

1997-01

1030 ROTOR HOUSING

1030 -1 ROTOR HOUSING



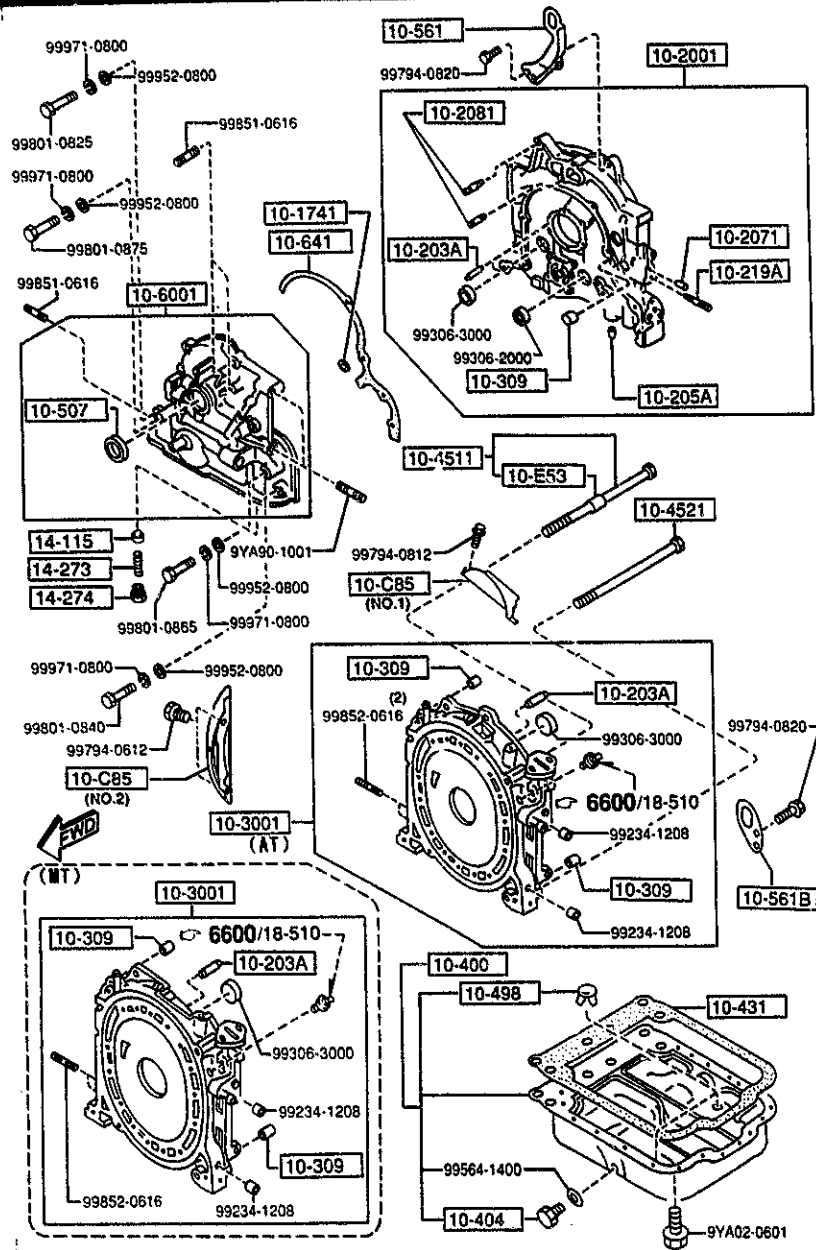
PART NO.	QTY	MODEL/RESTRICTION	MODEL/RESTRICTION	MODEL/RESTRICTION	FROM-TU
10-B06		PIN, SPRING			
N326-10-B06	4				
10-C15		RING, BACKUP			
N326-10-C15	1				
10-E09		PIN, STOPPER			
NF01-10-E09	2				
10-1001		HOUSING, ROTOR-FRONT			
N3A1-10-B10	1				
10-1111		DOWEL, TUBULAR			
1757-10-111	4				
10-1501		HOUSING, ROTOR-REAR			
N3A1-10-B50	1				
10-1711		RING, SQUARE			
N326-10-B71A	4				
10-172A		RING, SQUARE-OUTER			
N326-10-B72	4				
10-1731		RING, 'O'			
N3A1-10-B73	4				
10-250		CAP, OIL FILLER			
0453-10-250A	1				
10-252		GASKET			
0324-10-252	1				
10-325		PIPE, OIL LEVEL GAUGE			
N318-10-441	1				
10-3272		PLUG, JET			
N326-14-633	2				
10-4001		HOUSING, INTERMEDIATE			
N3A1-10-D00	1				
4C01 FD333 -400022					

AUFA06

CAT. AUFA06-04

1997-01

1040 OIL PAN, FRONT & REAR HOUSING



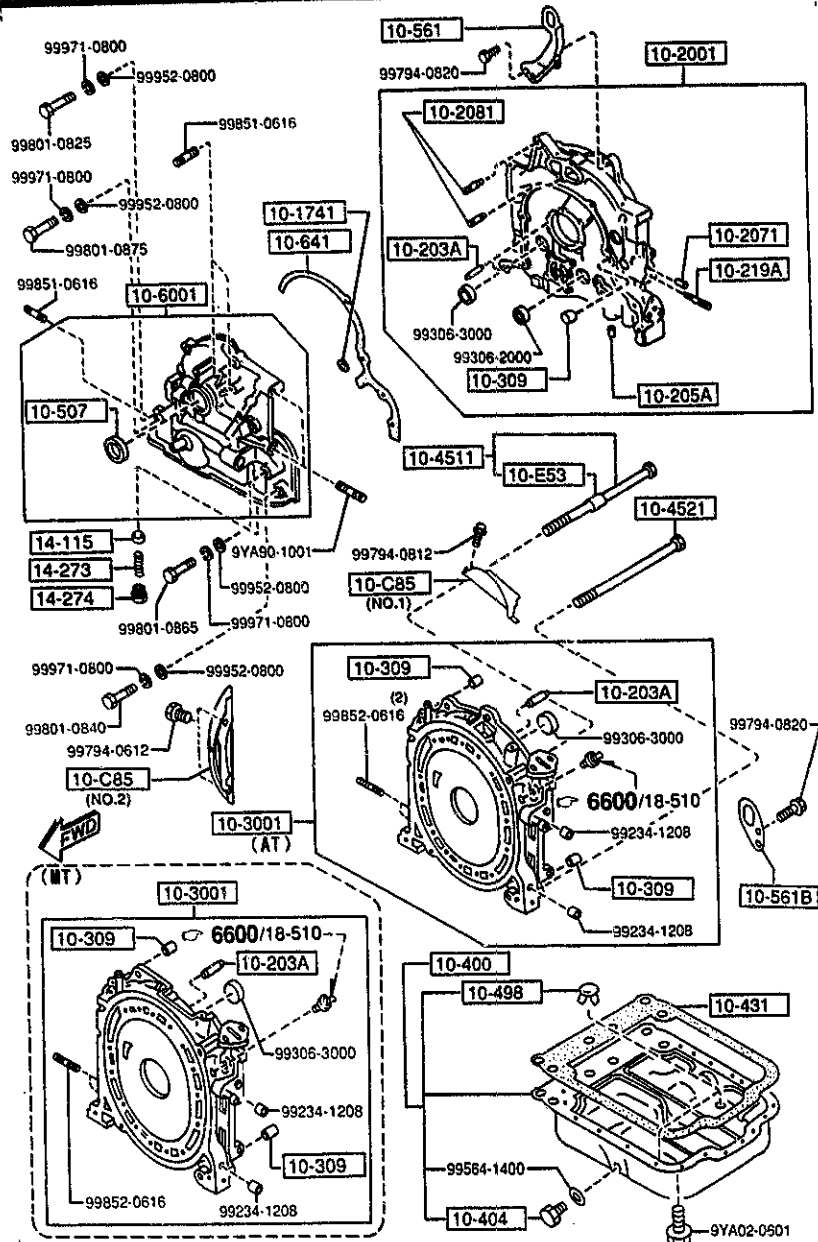
PART NO.	QTY	MODEL/RESTRICTION	MODEL/RESTRICTION	MODEL/RESTRICTION	FROM-TO
10-C85		COVER, DUST			
N350-10-C85	1	(ILLUST. NO.1) (MT)			
NF01-10-C86	1	(ILLUST. NO.2)			
10-E53		RING, 'O'-TENSION BOLT			
N350-10-E56	1				
10-1741		RING, 'O'			
N231-10-174	1				
10-2001		HOUSING, FRONT			
N3A1-10-C00D	1				
10-203A		PIN, DOWEL			
0839-10-203	2				
10-205A		PLUG, BLIND			
8562-10-205	3				
10-2071		PLUG, BLIND			
1757-10-207A	1				
10-2081		STUD			
N3A1-10-C08	4				
10-219A		STUD, HOUSING			
W249-10-219	1				
10-3001		HOUSING, REAR			
N3YA-10-C50D	1	(MT)			
N3YB-10-C50D	1	(AT)			
10-309		PIN, TUBULAR			
1757-10-309	4				
10-400		PAN, OIL			
N3A1-10-400A	1				
10-404		PLUG, DRAIN			
HE03-10-404	1				

AUFA06

CAT. AUFA06-04

1997-01

1040 OIL PAN, FRONT & REAR HOUSING



1040 -2 * OIL PAN, FRONT & REAR HOUSING

PART NO.	QTY	MODEL/RESTRICTION	MODEL/RESTRICTION	MODEL/RESTRICTION	FROM-TO
10-431		GASKET,OIL PAN			
N3YA-10-427	1				
10-4511		BOLT,TENSION			
N350-10-E50A	1				
10-4521		BOLT,TENSION			
N350-10-E61A	1				
10-498		CAP,BLIND-OIL PAN			
N3A1-10-498	2				
10-507		SEAL,OIL			
N3A1-10-507	1				
10-561		HANGER,ENGINE			
N3A1-10-560B	1				
10-561B		HANGER,ENGINE-REAR			
N3A1-10-566	1				
10-6001		COVER,FRONT			
N3A1-10-500	1				-5106
N3A1-10-500B	1				5106-
10-641		GASKET,FRONT COVER			
N3A1-10-502	1				
14-115		PLUNGER,CONTROL			
0839-14-115	1				
14-273		SPRING			
N3A1-14-273A	1				
14-274		PLUG			
0839-14-274	1				
5106 FD333 -40025					

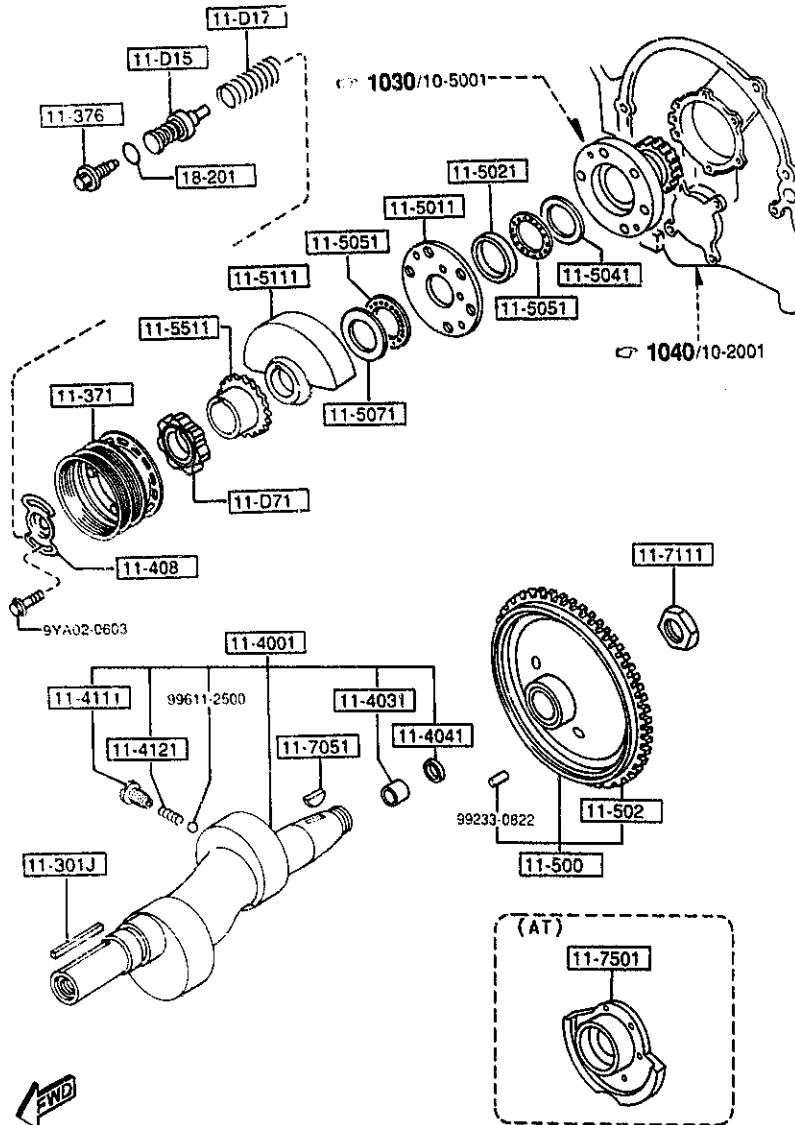
AUFA06

CAT. AUFA06-04

1997-01

1100 ECCENTRIC SHAFT & FLYWHEEL

1100 -1 ECCENTRIC SHAFT & FLYWHEEL



PART NO.	QTY	MODEL/RESTRICTION	MODEL/RESTRICTION	MODEL/RESTRICTION	FROM TO
11-D15		PELLET, THERMO-ECCENTRIC			
N326-11-D15	1				
11-D17		SPRING, THERMO PELLET -E/S			
N326-11-D17	1				
11-D71		GEAR, DISTRIBUTOR			
N3C1-11-D71	1				
11-301J		KEY, WOODRUFF-PULLEY			
99236-0571	1				
11-371		PULLEY, CRANKSHAFT			
N3C1-11-400	1				
11-376		BOLT, PULLEY			
N3C1-11-406	1				
11-4001		SHAFT, ECCENTRIC			
NSA1-11-D00	1 (MT)				
NSA2-11-D00	1 (AT)				
11-4031		BEARING, NEEDLE			
N326-11-D03	1 (MT)				
11-4061		SEAL, OIL			
1881-11-404	1 (MT)				
11-408		PLATE, CRANKSHAFT PULLEY			
N3C1-11-408	1				
11-4111		PLUG, OIL JET			
N326-11-D11	2				
11-4121		SPRING			
0839-11-412	2				
11-500		WHEEL, FLY			
NSA1-11-500	1 (MT)				

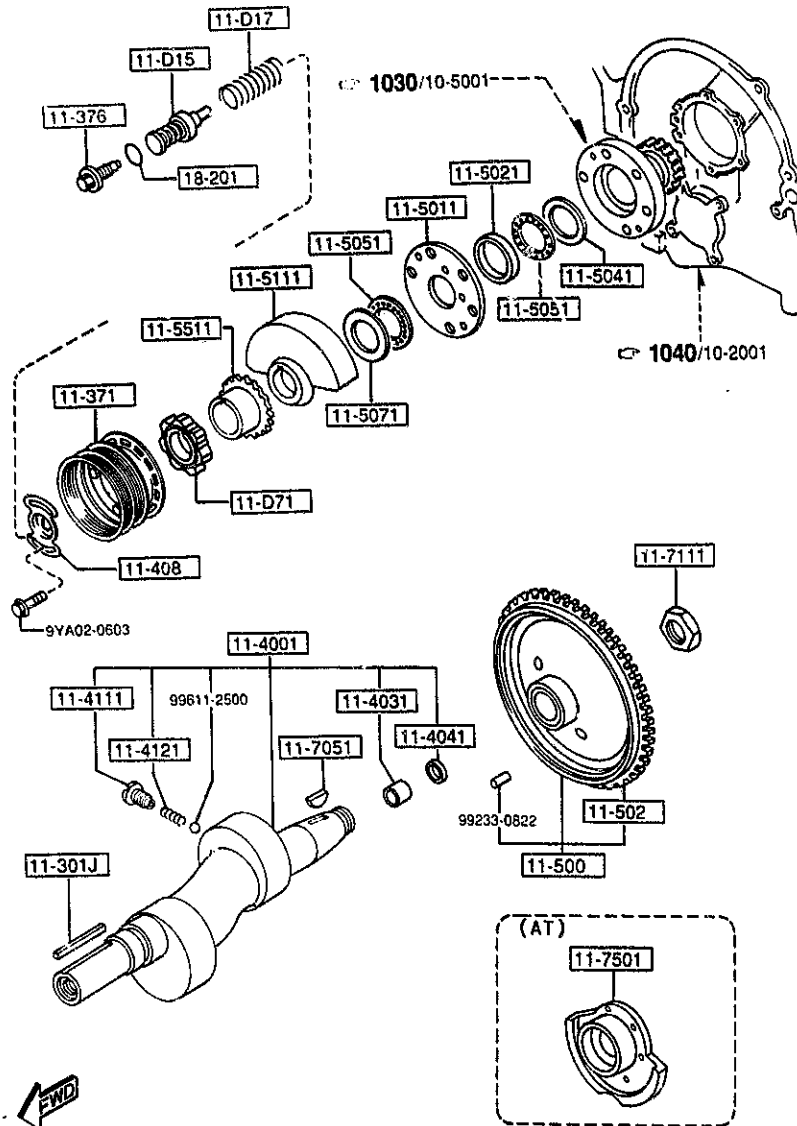
AUFA06

CAT. AUFA06-04

1997-01

1100 ECCENTRIC SHAFT & FLYWHEEL

1100 -2 ECCENTRIC SHAFT & FLYWHEEL



PART NO.	QTY	MODEL/RESTRICTION	MODEL/RESTRICTION	MODEL/RESTRICTION	FROM-TO
11-5811		PLATE			
NF01-11-D51	1				
11-502		GEAR, RING-FLY WHEEL			
N318-11-502A	1 (MT)				
11-5021		SPACER			
NF01-11-D55	1	L=8.0, -0.005/-0.025			
NF01-11-D56	1	L=8.0, -0.005/+0.015			
NF01-11-D57	1	L=8.0, +0.015/+0.035			
NF01-11-D58	1	L=8.0, +0.035/+0.055			
NF01-11-D59	1	L=8.0, +0.055/+0.075			
11-5041		PLATE, THRUST			
N390-11-D52	1				
11-5051		BEARING, NEEDLE			
NF01-11-D54	2				
11-5071		WASHER, THRUST			
NF01-11-D53	1				
11-5111		WEIGHT, BALANCE			
N3A7-11-D61	1 (MT)				
N3AB-11-D61	1 (AT)				
11-5511		GEAR, DRIVE-OIL PUMP			
N326-11-D75	1				
11-7051		KEY, FLY WHEEL			
0820-11-705	1				
11-7111		NUT, LOCK			
0810-11-711	1				
11-7501		WEIGHT, COUNTER			
N351-11-521	1 (AT)				

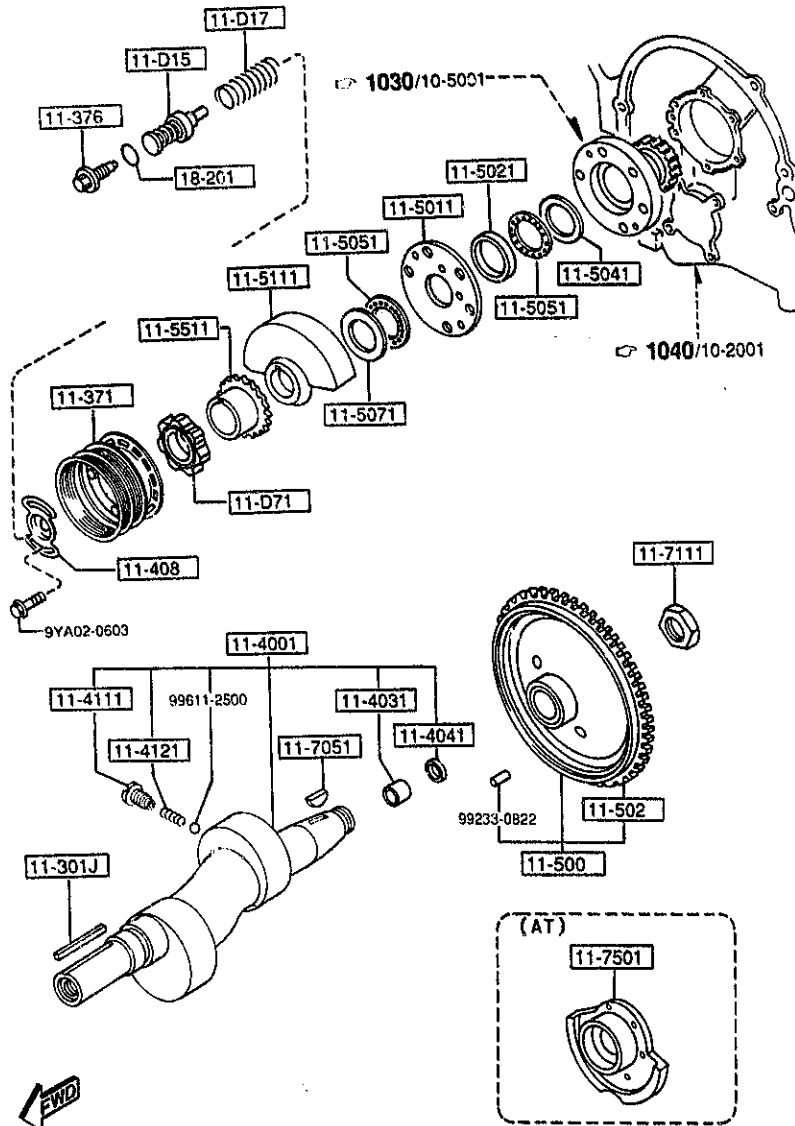
AUFA06

CAT. AUFA06-04

1997-01

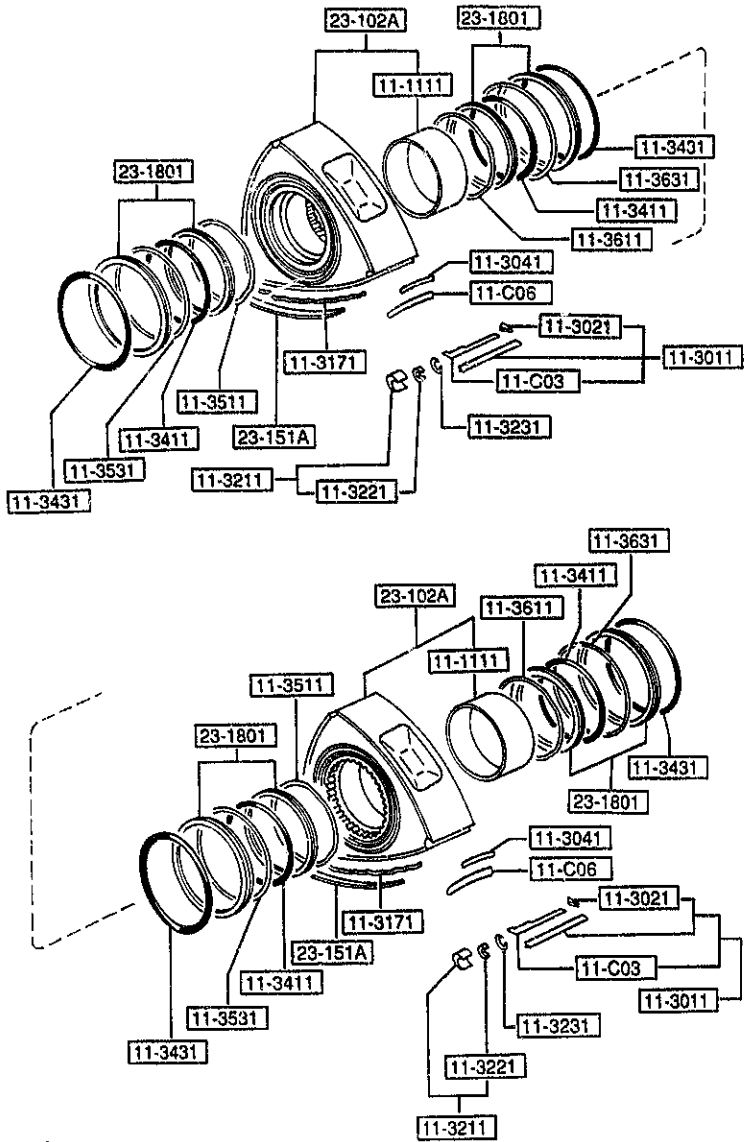
1100 ECCENTRIC SHAFT & FLYWHEEL

1100 -3 * ECCENTRIC SHAFT & FLYWHEEL



PART NO.	QTY	MODEL/RESTRICTION	MODEL/RESTRICTION	MODEL/RESTRICTION	FROM-TO
18-201 99541-01105	1	RING, 'O'			

1110 ROTORS & RELATED PARTS



1110 -1 ROTORS & RELATED PARTS

PART NO.	QTY	MODEL/RESTRICTION	MODEL/RESTRICTION	MODEL/RESTRICTION	FROM-TO
11-C03		PIECE, 2ND.-APEX SEAL			
N326-11-C03A AN(N326-11-C03C)	6				-5801
N326-11-C03C	6				5801-
11-C06		SPRING, OUTER-APEX SEAL			
N326-11-C06A AN(N326-11-C06C)	6				-5801
N326-11-C06C	6				5801-
11-1111		METAL, ROTOR			
N3A1-11-B11	2	3.000(-0.005--0.010)			
N3A2-11-B11	2	3.000(0.000--0.005)			
N3A3-11-B11	2	3.000(+0.005-0.000)			
11-3011		SEAL, APEX			
N351-11-C00 AN(N351-11-C00B)	6				-5801
N351-11-C00B	6				5801-
11-3021		PIECE, SIDE			
N326-11-C02A	6				
11-3041		SPRING, APEX SEAL			
N326-11-C04A	6				
11-3171		SPRING, SIDE SEAL			
NFD1-11-C17	12				
11-3211		SEAL, CORNER			
N326-11-C20A	12				
11-3221		PLUG, CORNER SEAL			
N326-11-C22A	24				
11-3231		SPRING, CORNER SEAL			
NFD1-11-C24	12				
11-3411		RING, 0'-INNER			
5801 FD333 -400230					

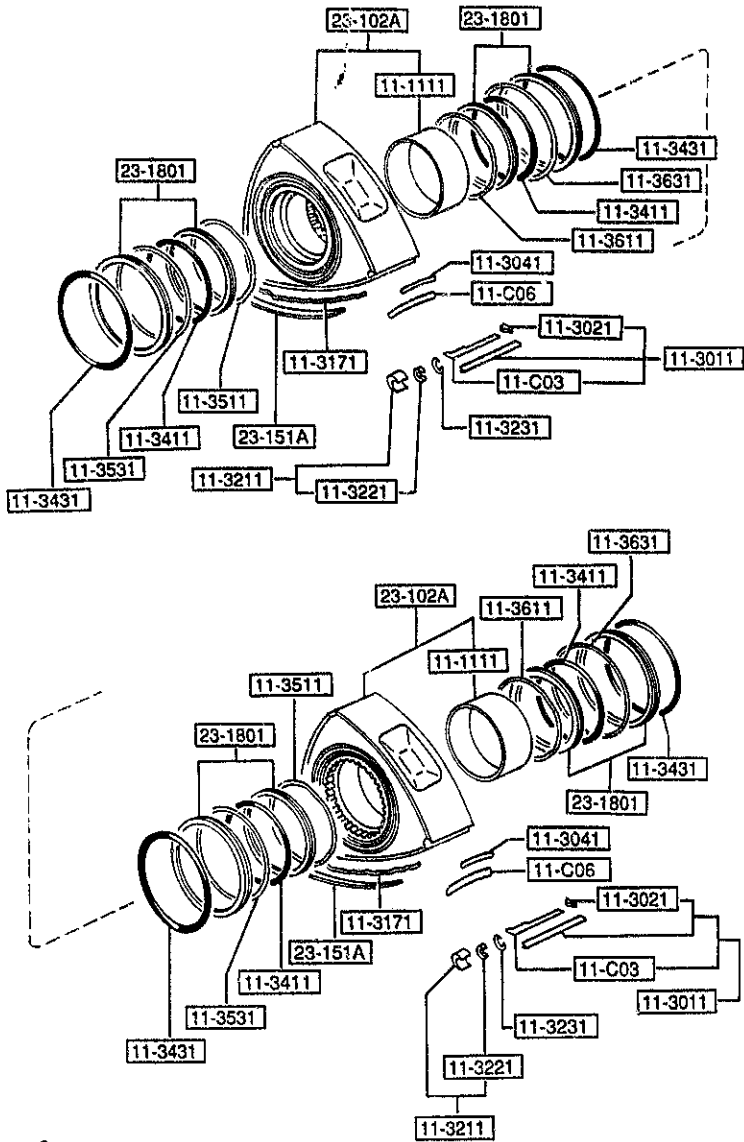


AUFA06

CAT. AUFA06-04

1997-01

1110 ROTORS & RELATED PARTS



1110 -2 * ROTORS & RELATED PARTS

PART NO.	QTY	MODEL/RESTRICTION	MODEL/RESTRICTION	MODEL/RESTRICTION	FROM-TO
CONT'D					
0820-11-341	4				
11-3431		RING, 'O'-OUTER			
8341-11-343	4				
11-3511		SPRING, FRT. - INNER			
N225-11-351	2				
11-3531		SPRING, FRT. - OUTER			
1011-11-353A	2				
11-3611		SPRING, REAR - INNER			
N225-11-361	2				
11-3631		SPRING, REAR - OUTER			
1011-11-363A	2				
23-102A		ROTOR			
N3VA-11-B10	2				
23-151A		SEAL, SIDE			
N3V1-11-C11	12				
23-1801		SEAL SET, OIL			
8871-23-180	4				



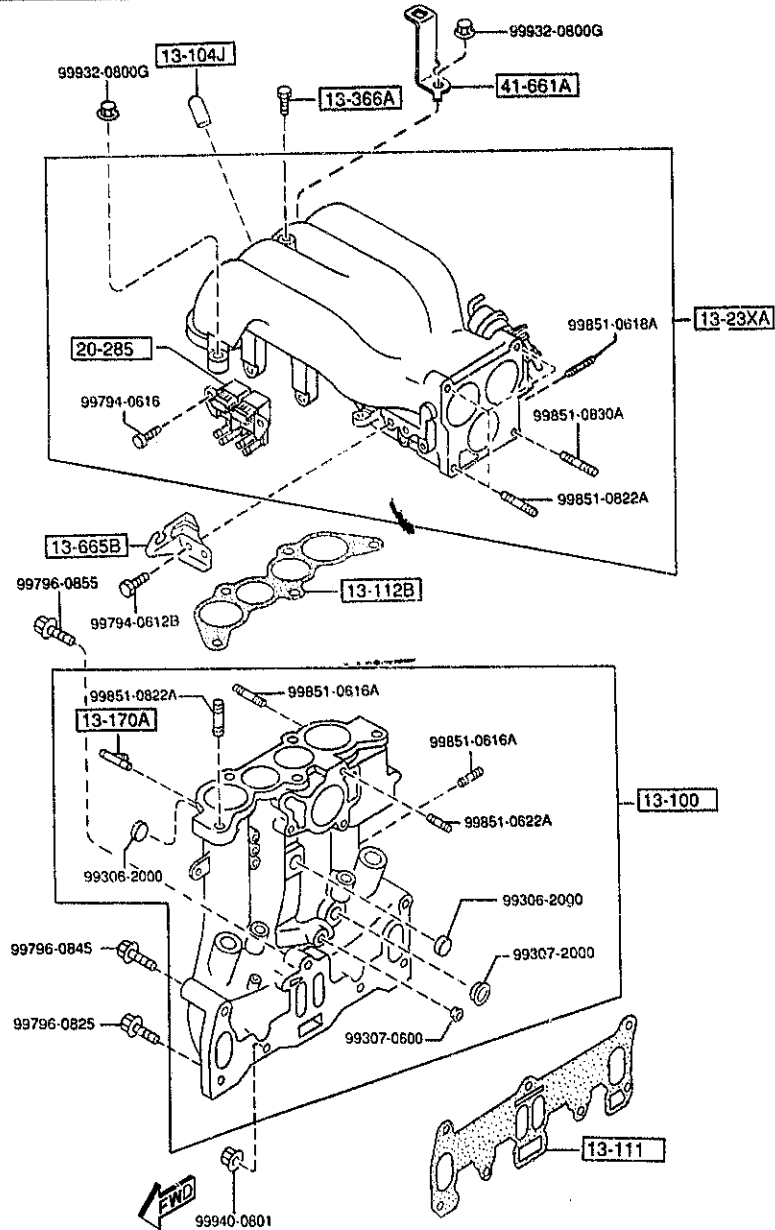
AUFA06

CAT. AUFA06-04

1997-01

1300 INLET MANIFOLD

1300 -1 * INLET MANIFOLD



PART NO.	QTY	MODEL/RESTRICTION	MODEL/RESTRICTION	MODEL/RESTRICTION	FROM-TO
13-100	1	MANIFOLD, INLET			
N3B7-13-100B	1				
13-104J	1	CAP, BLIND			
1010-13-104	1				
13-111	1	GASKET, IN. MANIFOLD			
N3A1-13-111A	1				
13-112B	1	GASKET NO. 2, IN. MANIFOLD			
N3A1-13-112	1				
13-170A	1	CONNECTOR, HOSE			
N3A3-13-170	1				
13-23XA	1	MANIFOLD(R), EXTENSION			
N3A1-13-23XB	1				-4C01
C (N3A1-13-23XC)	1				4C01-
N3A1-13-23XC	1				
13-366A	1	BOLT			
NF01-13-366	1				-5401
13-6653	1	BRACKET, ACCEL WIRE			
N3A1-13-661	1				
20-285	1	VALVE, DUTY SOLENOID			
N3A1-20-285	1				
41-661A	1	BRACKET, ACCEL CABLE			
FD01-41-661B	1				
N3A1-13-23XB	1	4C01 FD333 -400022			
C N3A1-13-23XC	1	5401 FD333 -400028			
99794-0840	1				

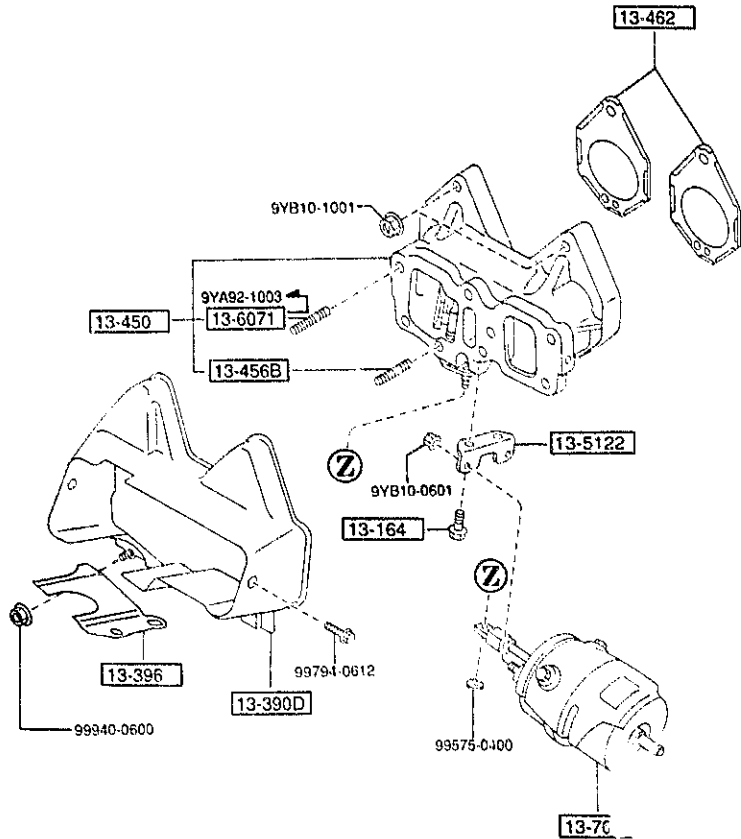
AUFA06

CAT. AUFA06-04

1997-01

1310 -1 * EXHAUST MANIFOLD

1310 EXHAUST MANIFOLD



PART NO.	QTY	MODEL/RESTRICTION	MODEL/RESTRICTION	MODEL/RESTRICTION	FROM-TO
13-164 N350-13-164	2	BOLT, FUEL DISTRIBUTOR			
13-390D N3A1-13-390B	1	INSULATOR, EX. MANIFOLD			-4C01
N3C2-13-390	1				4C01-
13-396 N3A1-13-396A	1	INSULATOR, SUB			
13-450 N3A7-13-450A	1	MANIFOLD, EXHAUST			-5106
N3A7-13-450B	1				5106-
13-456B N391-13-456	1	STUD, EX. MANIFOLD			
13-462 N3A1-13-461	2	GASKET, EX. MANIFOLD			
13-5122 N3C1-13-468	1	BRACKET, EX. MANIFOLD			
13-6071 NF01-13-708A	5	STUD			-5106
13-70V N3A1-13-70V	1	ACTUATOR, EXHAUST VALVE			
4C01 FD333 -400022					
5106 FD333 -400025					

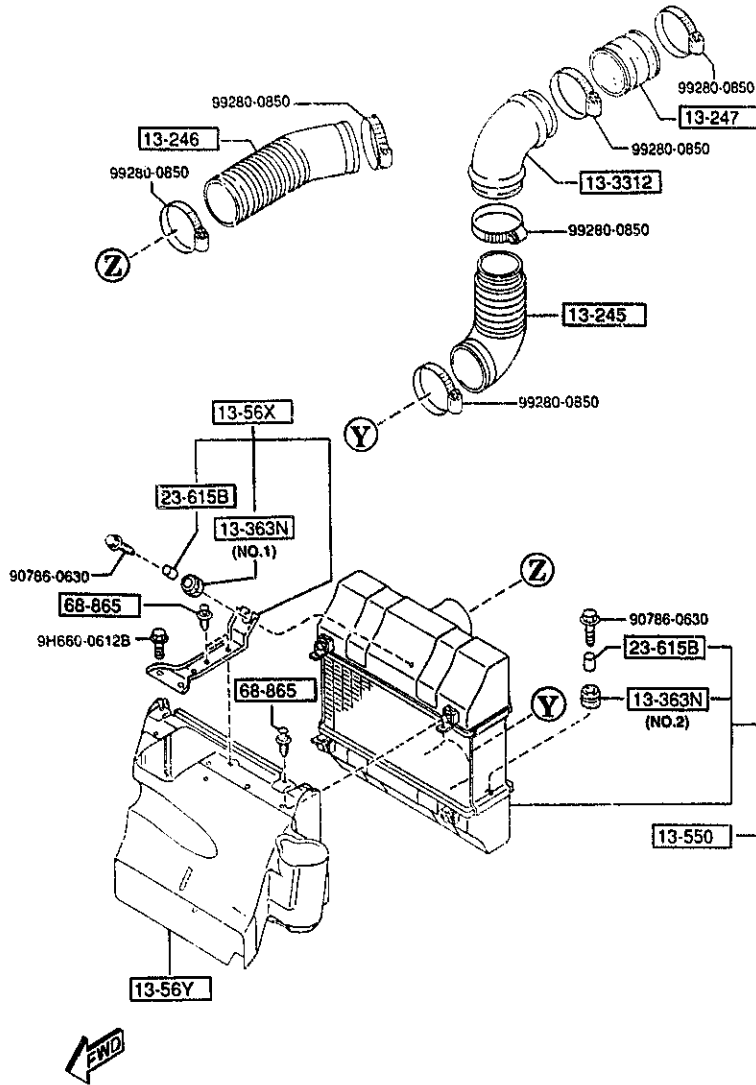
AUFA06

CAT. AUFA06-04

1997-01

1311 INTER COOLER

1311 -1 * INTER COOLER



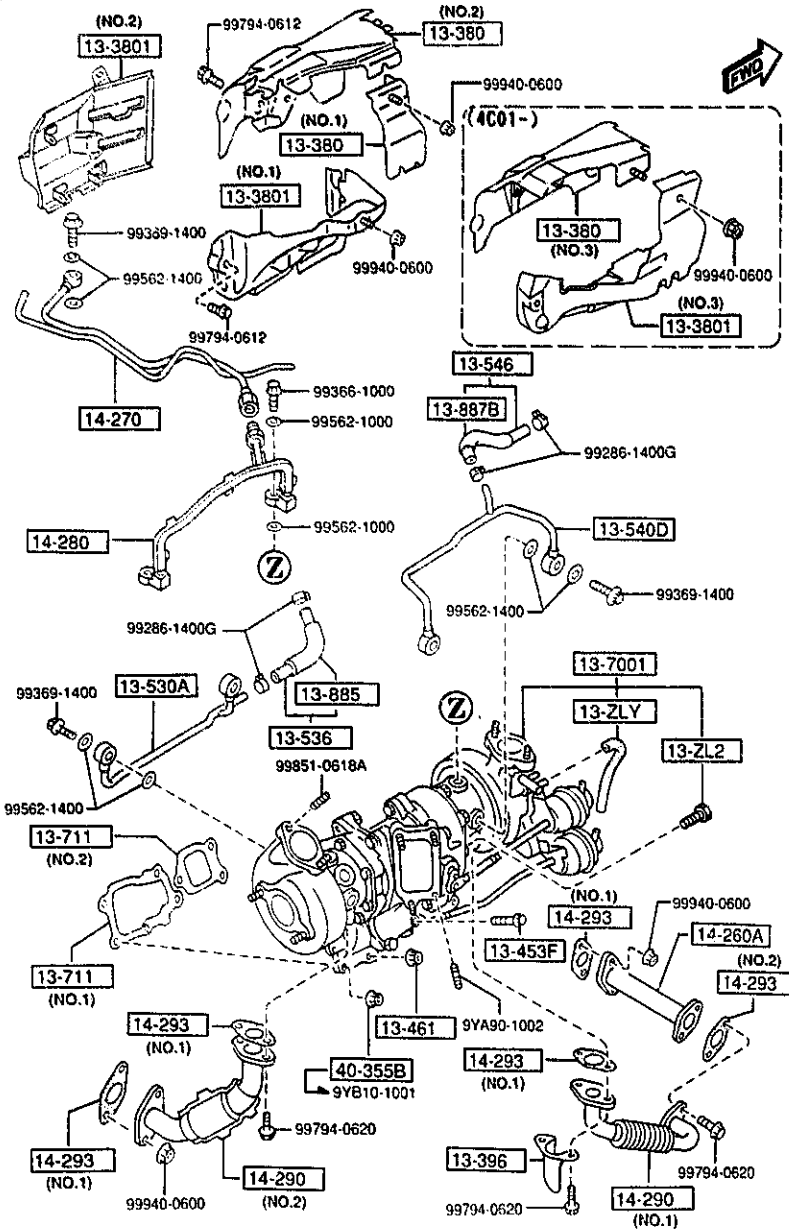
PART NO.	QTY	MODEL/RESTRICTION	MODEL/RESTRICTION	MODEL/RESTRICTION	FROM-TO
13-245		JOINT, RUBBER			
NSC1-13-245	1				
13-246		JOINT, RUBBER			
NSA1-13-246A	1				
13-247		JOINT, RUBBER			
NSA2-13-247	1				
13-3312		PIPE, AIR INTAKE			
NSA1-13-33X	1				
13-363N		RUBBER, MOUNTING			
NF01-13-363	1 (ILLUST. NO.1)				
NF01-13-363	2 (ILLUST. NO.2)				
13-550		CHARGE, AIR COOLER			
NSA1-13-550	1				
13-56X		BRACKET, INTER COOLER			
NSA1-13-56X	1				
13-56V		DUCT, AIR-INTER COOLER			
NSA1-13-56YB	1				
23-615B		COLLAR			
SL50-13-211	3				
68-865		FASTENER			
BR70-68-865	6				

AUFA06

CAT. AUFA06-04

1997-01

1312 TURBO CHARGER



1312 -1 TURBO CHARGER

PART NO.	QTY	MODEL/RESTRICTION	MODEL/RESTRICTION	MODEL/RESTRICTION	FROM-TO
13-ZLY		TUBE, VACUUM-TURBO CHARGER			
N3A1-13-ZLY	1				
13-ZL2		BOLT, TURBINE-T. CHARGER			
N3A1-13-ZL7	12				
13-380		INSULATOR, HEAT			
N3A1-13-380	1	(ILLUST. NO. 1)			-4C01
N3A1-13-385A	1	(ILLUST. NO. 2)			-4C01
N3C2-13-385	1	(ILLUST. NO. 3)			4C01-
13-3801		PLATE, ABSORBER			
N3A2-13-C80C	1	(ILLUST. NO. 2) (PRIMARY)			-4C01
N3A1-13-C80B	1	(ILLUST. NO. 1) (SECONDARY)			-4C01
N3C2-13-C80	1	(ILLUST. NO. 3) (SECONDARY)			4C01-
13-396		INSULATOR, SUB			
N3A1-13-397A	1				-4B01
13-453F		BOLT, INSULATOR			
N390-13-453A	2				
13-461		NUT, EX. MANIFOLD			
E5B6-13-461B	1				
13-530A		PIPE, WATER IN -T/C			
N3C1-13-530	1				
13-536		HOSE, WATER-TURBOCHARGER			
N3A1-13-53X	1				-5A02
13-540D		PIPE, WATER			
N3A1-13-540A	1				
13-546		HOSE, WATER-T/C WATER-PIPE			
N3A1-13-54X	1				
13-7001		TURBOCHARGER			
4B01 FD333	-400022				
4C01 FD333	-400022				
5A02 FD333	-400331				

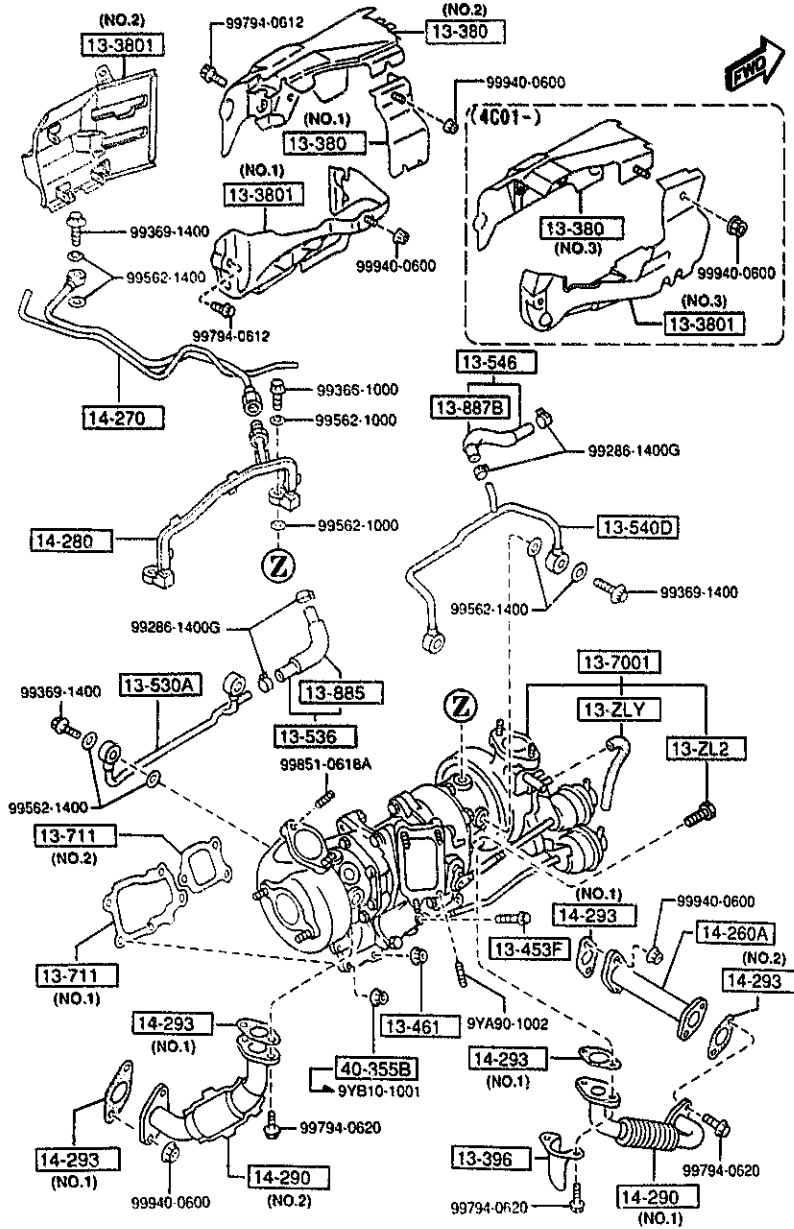
AUFA06

CAT. AUFA06-04

1997-01

1312 TURBO CHARGER

1312 -2 * TURBO CHARGER



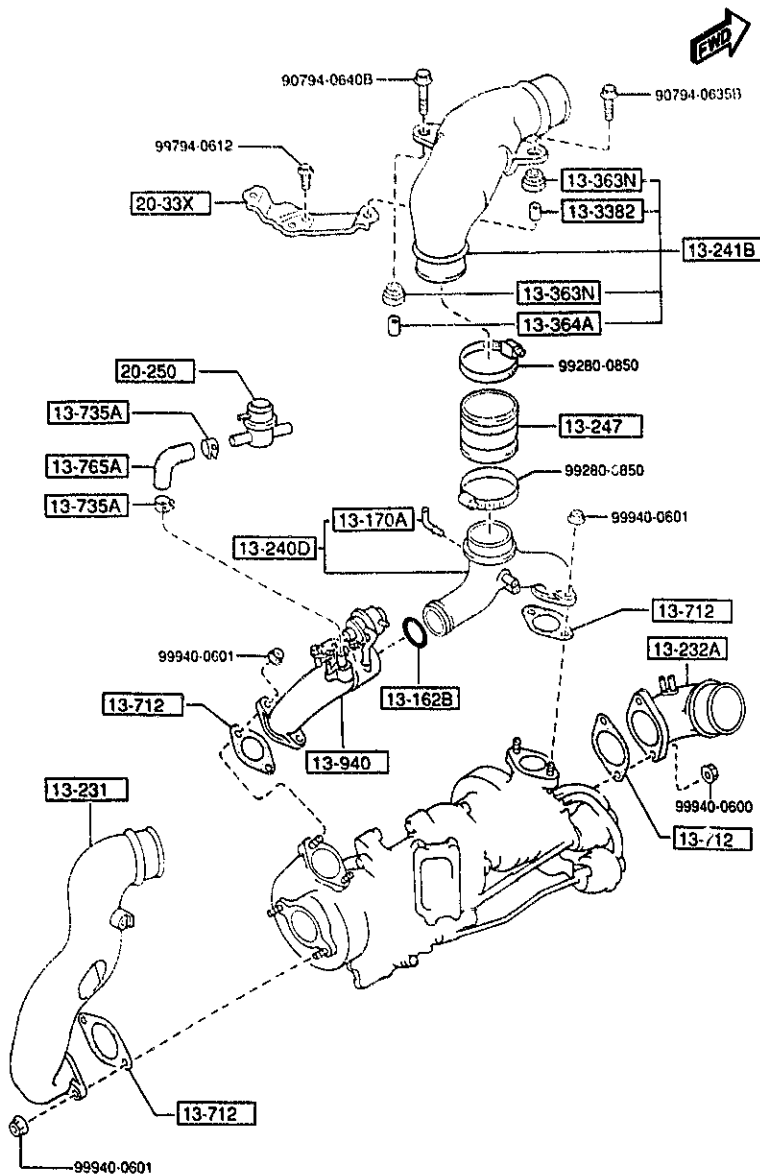
PART NO.	QTY	MODEL/RESTRICTION	MODEL/RESTRICTION	MODEL/RESTRICTION	FROM-TO
CONT'D					
N3C1-13-700	1				
13-711		GASKET, TURBOCHARGER			
N3A1-13-710	1	(ILLUST. NO.1) (PRIMARY)			
N3A2-13-710	1	(ILLUST. NO.2) (SECONDARY)			
13-885		PROTECTOR, SPONGE			
N3A1-13-885	1				-5A02
13-887B		PROTECTOR, SPONGE			
N3A1-13-887	1				
14-260A		PIPE, OIL OUTLET-F.CO VER			
N3A1-14-260	1				
14-270		PIPE, OIL			
N3A1-14-270A	1				
14-280		PIPE, OIL			
N3A1-14-280A	1				
14-290		PIPE, OIL			
N3A1-14-290A	1	(ILLUST. NO.1) (PRIMARY)			-5201
A (N5D8-14-290)					
N3A2-14-290A	1	(ILLUST. NO.2) (SECONDARY)			-5201
A (N5D9-14-290)					
N3D8-14-290	1	(ILLUST. NO.1) (PRIMARY)			5201-
N3D9-14-290	1	(ILLUST. NO.2) (SECONDARY)			5201-
14-293		GASKET, OIL PIPE			
N3A1-14-293	4	(ILLUST. NO.1) (PRIMARY)			
N3A2-14-293	1	(ILLUST. NO.2) (SECONDARY)			
40-355B		NUT			
JE10-40-355	5				-5106
5106 FD333 -400025 5201 FD333 -400026 5A02 FD333 -400331					

AUFA06

CAT. AUFA06-04

1997-01

1313 TWIN TURBO AIR INTAKE SYSTEM



1313 -1 TWIN TURBO AIR INTAKE SYSTEM

PART NO.	QTY	MODEL/RESTRICTION	MODEL/RESTRICTION	MODEL/RESTRICTION	FROM-TO
13-162B		RING, 'O'-INLET MANIF			
N3A1-13-162	1	OLD			
13-170A		CONNECTOR, HOSE			
N3A3-13-170	1				
13-231		PIPE, AIR			
N3A1-13-231	1				
13-232A		PIPE, AIR INTAKE			
N3A1-13-232	1				
N3DB-13-232	1				-4C01
13-240D		PIPE, AIR INTAKE-INT.			4C01-
N3A1-13-24XA	1	COOLE			
13-241B		PIPE, AIR INTAKE			
N3A1-13-240A	1				
13-247		JOINT, RUBBER			
N3A2-13-247	1				
13-3382		SPACER			
FE51-13-329	1				
13-363N		RUBBER, MOUNTING			
FE51-13-363	2				
13-364A		SPACER			
NF02-13-364	1				
13-712		GASKET, TURBO			
N3A1-13-712	4				
13-735A		CLAMP, HOSE			
NF01-13-735	2				
13-765A		HOSE, AIR			
N3A1-13-765	1				
4C01 FD333 -400022					

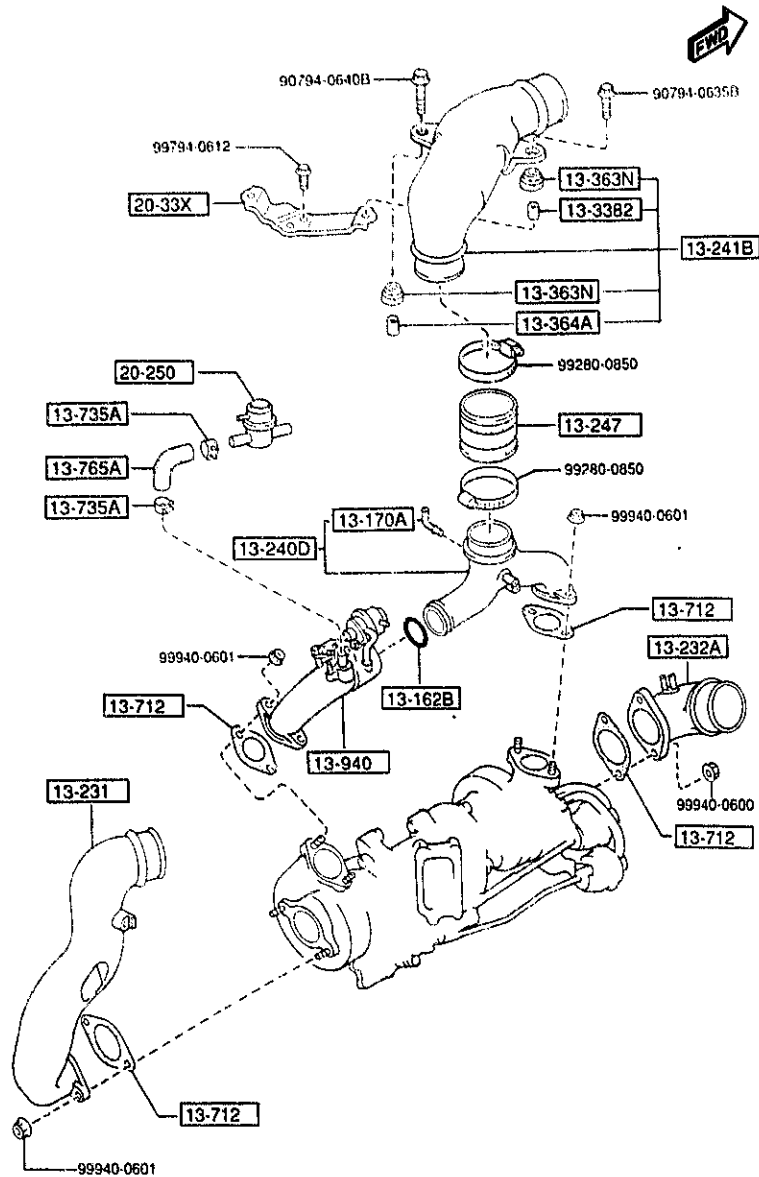
AUFA06

CAT. AUFA06-04

1997-01

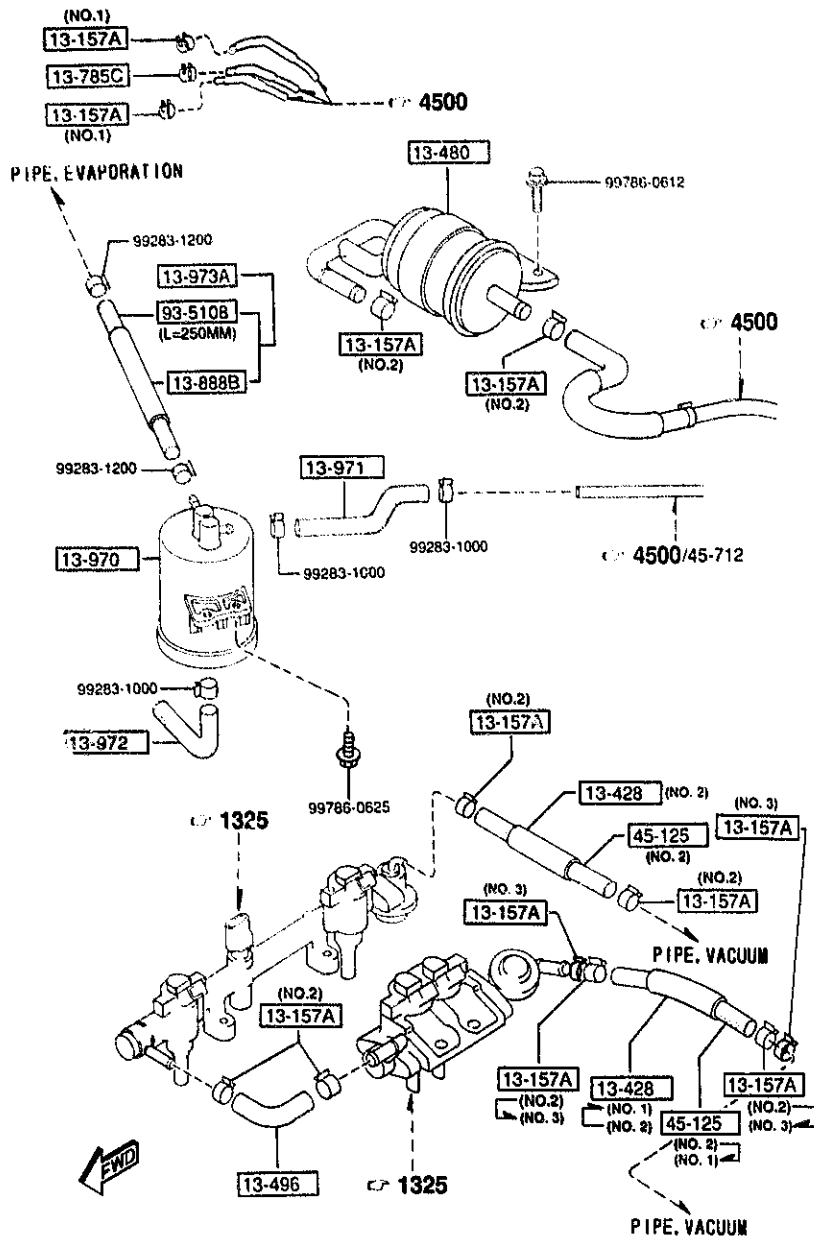
1313 TWIN TURBO AIR INTAKE SYSTEM

1313 -2 * TWIN TURBO AIR INTAKE SYSTEM



PART NO.	QTY	MODEL/RESTRICTION	MODEL/RESTRICTION	MODEL/RESTRICTION	FROM TO
13-940		VALVE, CONTROL			
N3C1-13-36Y	1				
20-250		VALVE, AIR BYPASS			
N390-20-250	1				
20-33X		BRACKET, VACUUM CHAMBER			
N3A1-20-33X	1				

1320 FUEL SYSTEM



1320 -1 FUEL SYSTEM

PART NO.	QTY	MODEL/RESTRICTION	MODEL/RESTRICTION	MODEL/RESTRICTION	FROM-TO
13-157A		CLIP			
B681-13-157	2	(ILLUST. NO. 1)			
8574-13-157	8	(ILLUST. NO. 2)			-5418
N3DB-13-157	4	(ILLUST. NO. 3)			5418-
8574-13-157	4	(ILLUST. NO. 2)			5418-
13-428		PROTECTOR			
N326-13-428A	2	(ILLUST. NO. 2)			-5418
N3B7-13-428A	1	(ILLUST. NO. 1)			5418-
N326-13-428A	1	(ILLUST. NO. 2)			5418-
13-480		FILTER, FUEL			
N3A1-20-490	1				
13-496		HOSE, FUEL			
N3A1-13-496	1				-5418
N3DB-13-420	1				5418-
13-785C		CLIP, HOSE			
N3A1-13-785	1				
13-888B		PROTECTOR, VACUUM TUB			
N3A3-13-888	1				
13-970		CANISTER			
N3A1-13-970	1				
13-971		HOSE, VENTILATION			
N3A1-13-971	1				
13-972		HOSE, EVAPORATION			
N3A1-13-972	1				
13-973A		HOSE, EVAPORATION			
N3A3-13-97X	1				
45-125		HOSE, FUEL			
99359-0814	2	(ILLUST. NO. 2)			-5418
N3DB-13-415	1	(ILLUST. NO. 1)			5418-
5418 FD333 -400030					

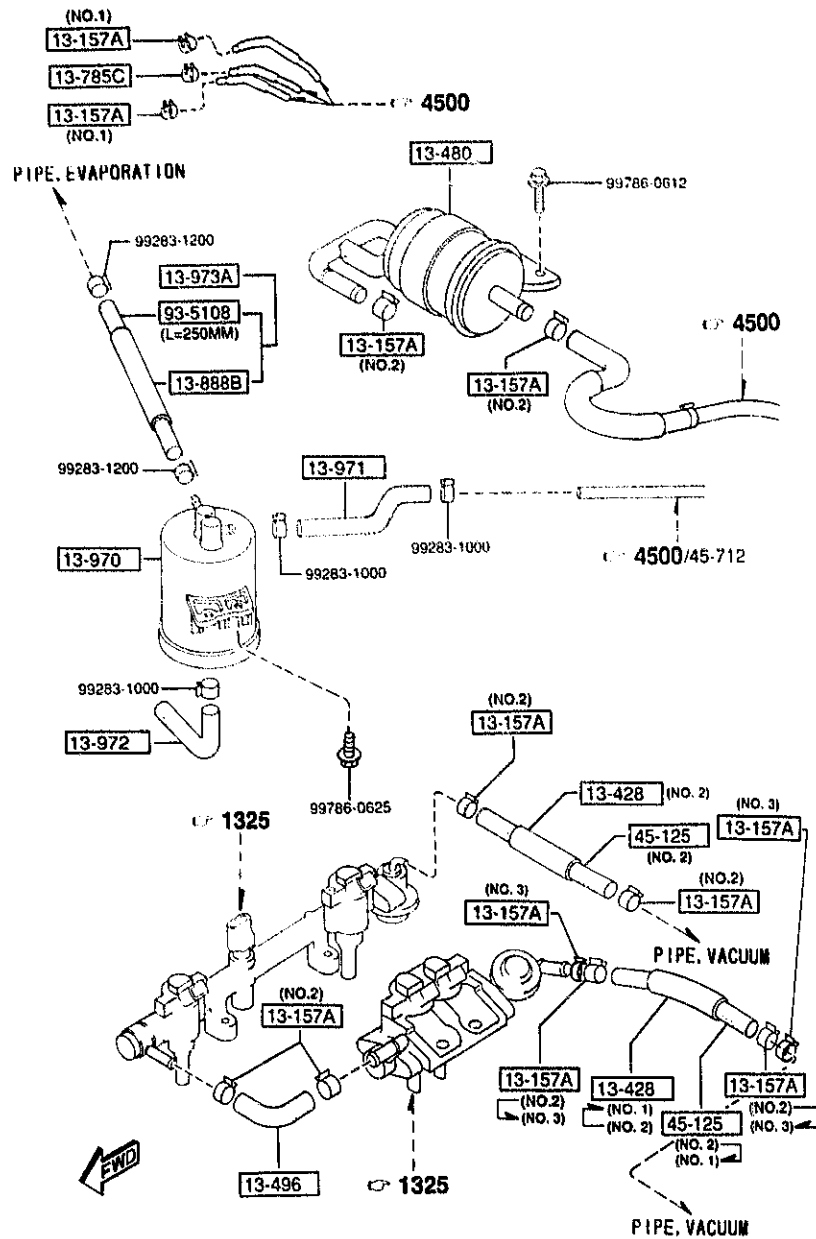
AUFA06

CAT. AUFA06-04

1997-01

1320 FUEL SYSTEM

1320 -2 * FUEL SYSTEM

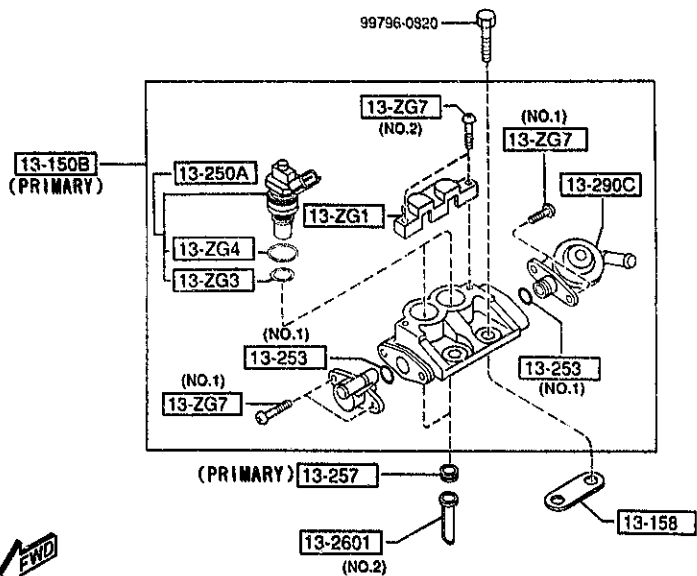
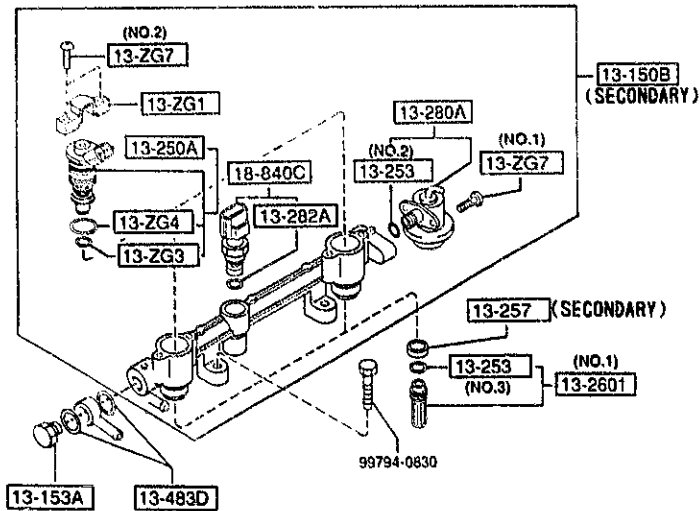


PART NO.	QTY	MODEL/RESTRICTION	MODEL/RESTRICTION	MODEL/RESTRICTION	FROM-TO
CONT'D 99359-0814	1	(ILLUST. NO.1)			5418-
93-5108		HOSE			
99351-08999	1	L=1M CUT IT TO USE			
5418 FD333 -400030					

AUFA06

CAT. AUFA06-04

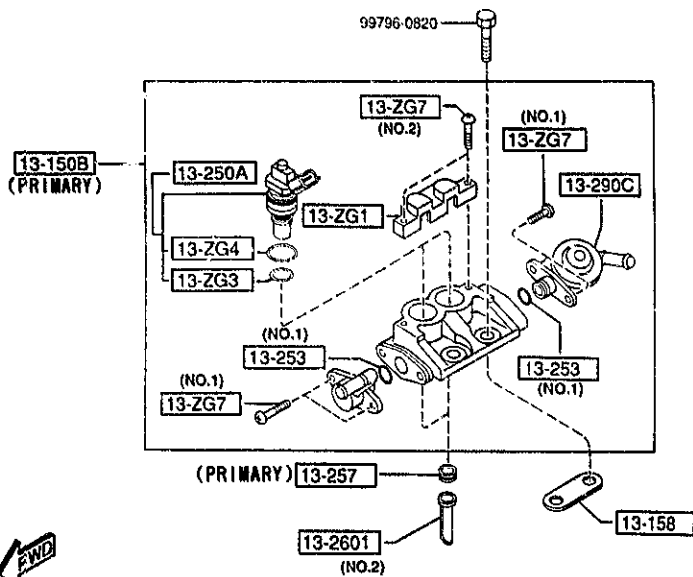
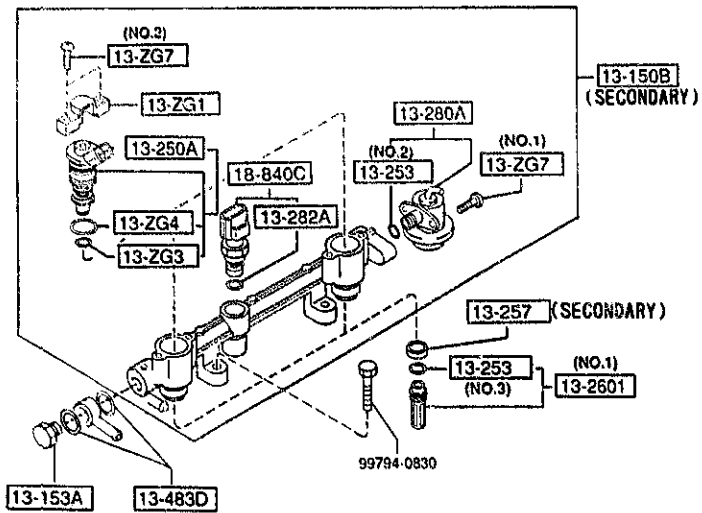
1997-01



PART NO.	QTY	MODEL/RESTRICTION	MODEL/RESTRICTION	MODEL/RESTRICTION	FROM-TO
13-Z01		COVER, INJECTOR			
N390-13-Z01	1	(PRIMARY)			
JE48-13-Z01	2	(SECONDARY)			-4821
C J503-13-Z01	2	(SECONDARY)			4821-
J503-13-Z01	2	(SECONDARY)			
13-Z03		RING, 'O'-INJECTOR			
NF01-13-Z03	4				
13-Z04		RING, 'O'-INJECTOR			
NF01-13-Z04	4				
13-Z07		SCREW, FUEL DIS.			
N3A3-13-Z07	2	(ILLUST. NO.1) (SECONDARY)			
N3A3-13-Z07	4	(ILLUST. NO.1) (PRIMARY)			
N3A4-13-Z07	4	(ILLUST. NO.2) (SECONDARY)			-4821
N3A4-13-Z07	2	(ILLUST. NO.2) (PRIMARY)			-5601
J503-13-Z07	4	(ILLUST. NO.2) (SECONDARY)			4821-
J503-13-Z07	2	(ILLUST. NO.2) (PRIMARY)			5601-
13-150B		DISTRIBUTOR, FUEL			
N3A1-13-150	1	(PRIMARY)			-5418
N3A2-13-150	1	(SECONDARY)			-5418
N3B7-13-150	1	(PRIMARY)			5418-
N3D8-13-150	1	(SECONDARY)			5418-
13-153A		BOLT, CONNECTOR			
N3B7-13-153	1				5418-
13-158		INSULATOR, FUEL DIST.			
N326-13-158	1				
13-250A		INJECTION, FUEL-M.P.E LECT.			
N3A1-13-250	2	(PRIMARY)			
N3A2-13-250	2	(SECONDARY)			
JE48-13-Z01	1	4821 FD333 -400022			
C J503-13-Z01	1	5418 FD333 -400030			
J503-13-Z07	1	5601 FD333 -400230			

1325 FUEL DISTRIBUTOR

1325 -2 * FUEL DISTRIBUTOR



PART NO.	QTY	MODEL/RESTRICTION	MODEL/RESTRICTION	MODEL/RESTRICTION	FROM-TO
13-253		RING, 'O'			
N3A1-13-ZG3	2	(ILLUST. NO.1) (PRIMARY)			
8574-13-253	1	(ILLUST. NO.2) (SECONDARY)			
99541-01252	2	(ILLUST. NO.3)			
13-257		INSULATOR, INJECTION			
NF01-13-257A	2	(PRIMARY)			
N3A1-13-257	2	(SECONDARY)			
13-2601		SOCKET, AIR BLEED			
N3A1-13-C60	2	(ILLUST. NO.1)			
N3A2-13-C61	2	(ILLUST. NO.2)			
13-280A		PRESSURE RG., FUEL			
N3A1-13-280	1	(SECONDARY)			
13-282A		RING, 'O'-PRESSURE REGU.			
N253-13-282	1	(SECONDARY)			
13-290C		DAMPER, PULSATION			
N3A2-20-180	1	(PRIMARY)			
13-483D		GASKET			
N236-13-483	2	NON ASBESTOS			5418-
18-840C		SENSOR, TEMP.-ENG. COOLANT			
N391-18-840	1	(SECONDARY)			
5418 FD333 -400030					

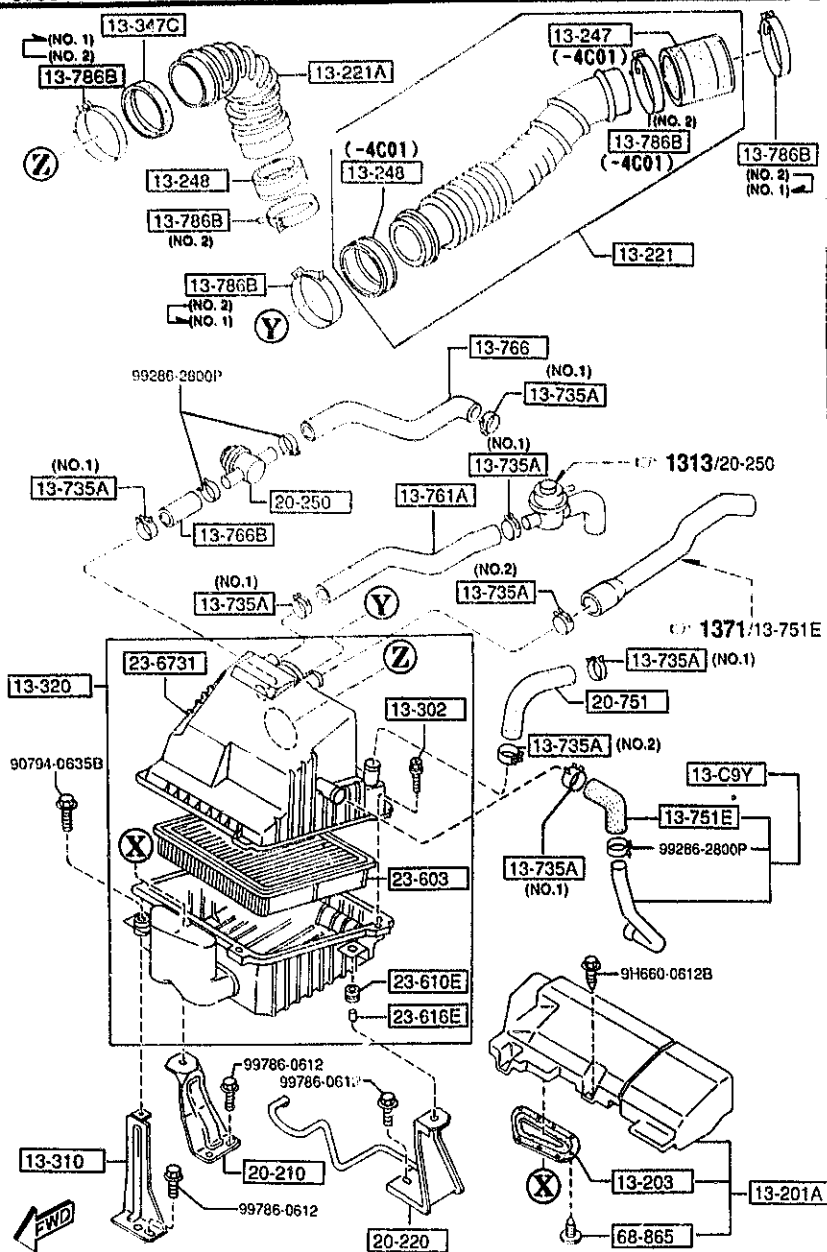
AUFA06

CAT. AUFA06-04

1997-01

1330 -1 AIR CLEANER

1330 AIR CLEANER



PART NO.	QTY	MODEL/RESTRICTION	MODEL/RESTRICTION	MODEL/RESTRICTION	FROM-TO
13-C9V		PIPE, RELIEF			
N3C1-13-C9V	1				
13-201A		DUCT, FRESH AIR			
N3A1-13-200	1				
13-203		RUBBER, SEAL-FRESH AIR DUC			
N3A1-13-203	1				
13-221		HOSE, AIR			
N3A1-13-220	1				-4C01
N3D8-13-222	1				4C01-
13-221A		HOSE, AIR			
N3A1-13-221A	1				-4C01
N3D8-13-221	1				4C01-
13-247		JOINT, RUBBER			
N3A3-13-247	1				-4C01
13-248		JOINT, RUBBER			
N3A1-13-247	2				-4C01
13-302		BOLT, AIR CLEANER			
F201-13-302A	2				
13-310		BRACKET, AIR CLEANER			
N3A1-20-200	1				
13-320		CLEANER, AIR			
N3A1-13-320	1				
13-347C		JOINT, RUBBER			
N3A1-13-249	1				-4C01
13-735A		CLAMP, HOSE			
NF01-13-735	6 (ILLUST. NO. 1)				
N3A1-13-735	2 (ILLUST. NO. 2)				
13-751E		HOSE, AIR			
4C01 FD333 -400022					

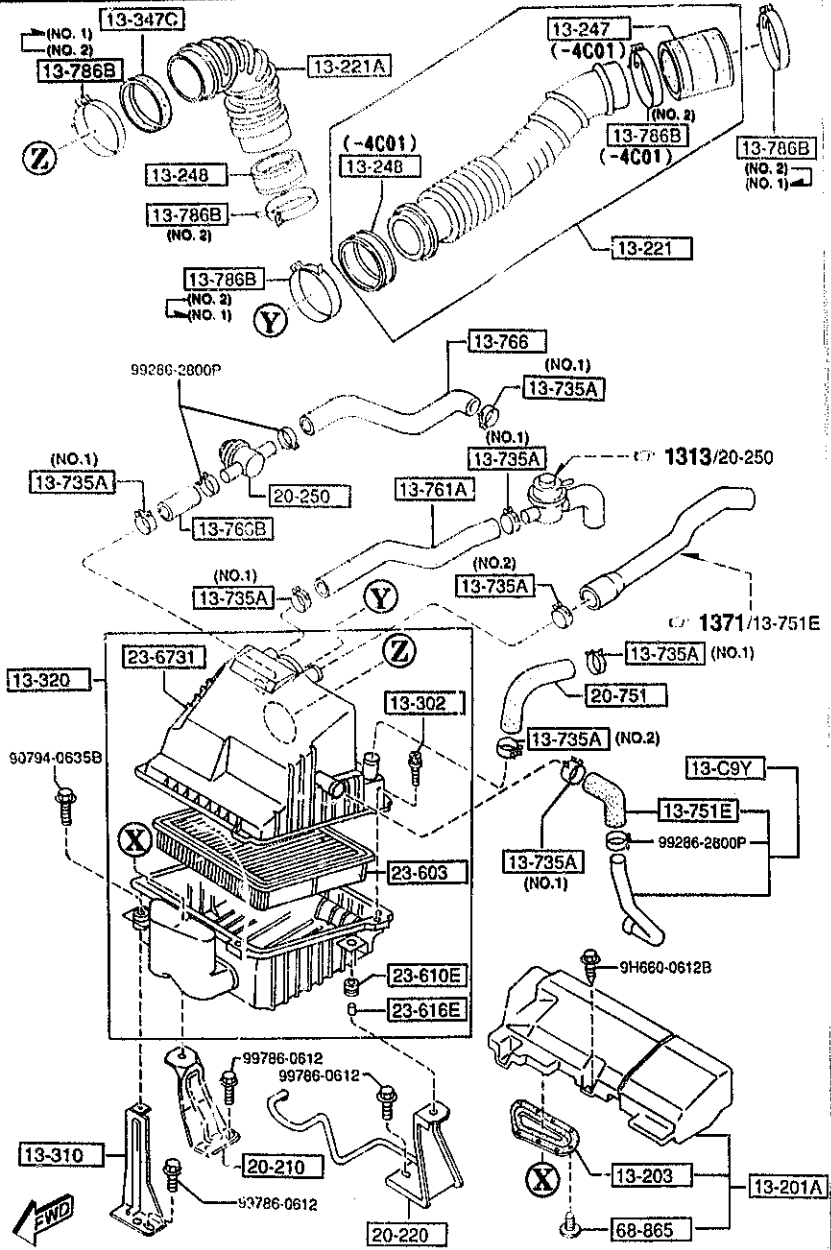
AUFA06

CAT. AUFA06-04

1997-01

1330 -2 AIR CLEANER

1330 AIR CLEANER



PART NO.	QTY	MODEL/RESTRICTION	MODEL/RESTRICTION	MODEL/RESTRICTION	FROM-TO
CONT'D N3C1-13-751	1				
<u>13-761A</u>		HOSE, AIR			
N3A2-13-768	1				
<u>13-766</u>		HOSE, AIR			
N3A1-13-766	1				
<u>13-766B</u>		HOSE, AIR			
N3A1-13-767	1				
<u>13-786B</u>		CLIP, HOSE			
N3A5-13-786	5 (ILLUST. NO.2)				-4C01
N390-13-785	3 (ILLUST. NO.1)				4C01-
N3A5-13-786	1 (ILLUST. NO.2)				4C01-
<u>20-210</u>		BRACKET, AIR CLEANER			
N3A1-20-210	1				
<u>20-220</u>		BRACKET, AIR CLEANER			
N3A2-20-220	1				
<u>20-250</u>		VALVE, AIR BYPASS			
N3A1-20-250	1				
<u>20-751</u>		HOSE, AIR			
N3A1-20-751	1				
<u>23-603</u>		ELEMENT, AIR CLEANER			
N3A1-13-240	1				
<u>23-610E</u>		INSULATOR			
HE19-23-610	3				
<u>23-616E</u>		PIPE			
HE19-23-616	3				
<u>23-6731</u>		COVER, AIR CLEANER			
N3A1-13-201	1				
4C01 FD333 -400022					

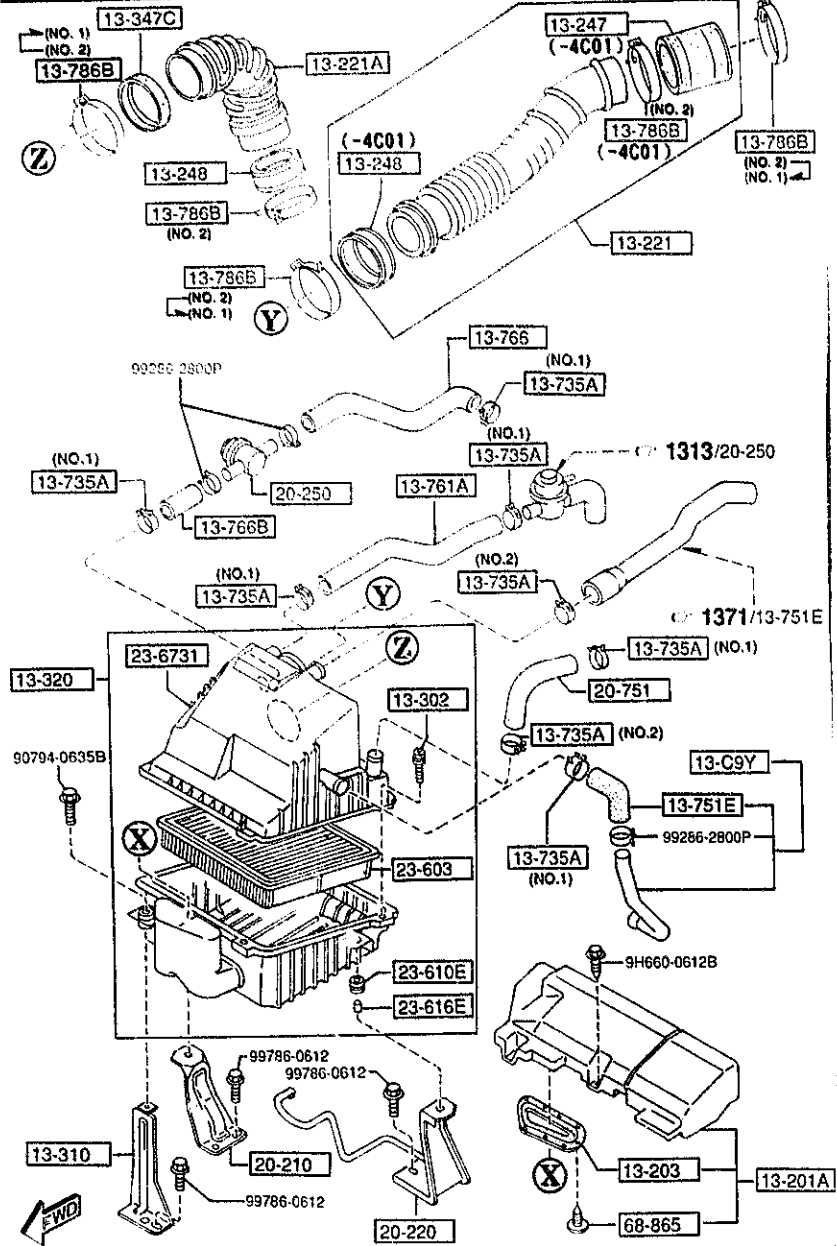
AUFA06

CAT. AUFA06-04

1997-01

1330 -3 * AIR CLEANER

1330 AIR CLEANER

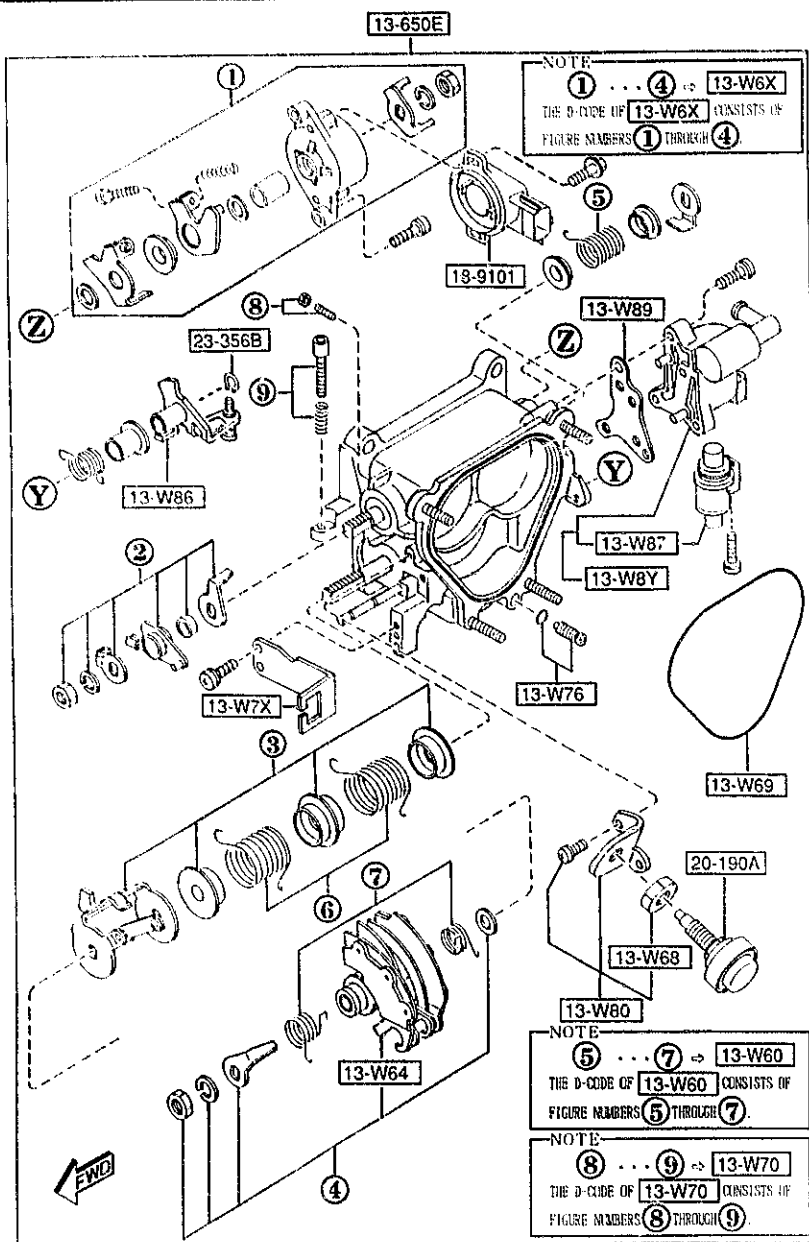


PART NO.	QTY	MODEL/RESTRICTION	MODEL/RESTRICTION	MODEL/RESTRICTION	FROM-10
68-865		FASTENER			
BR70-68-865	5				

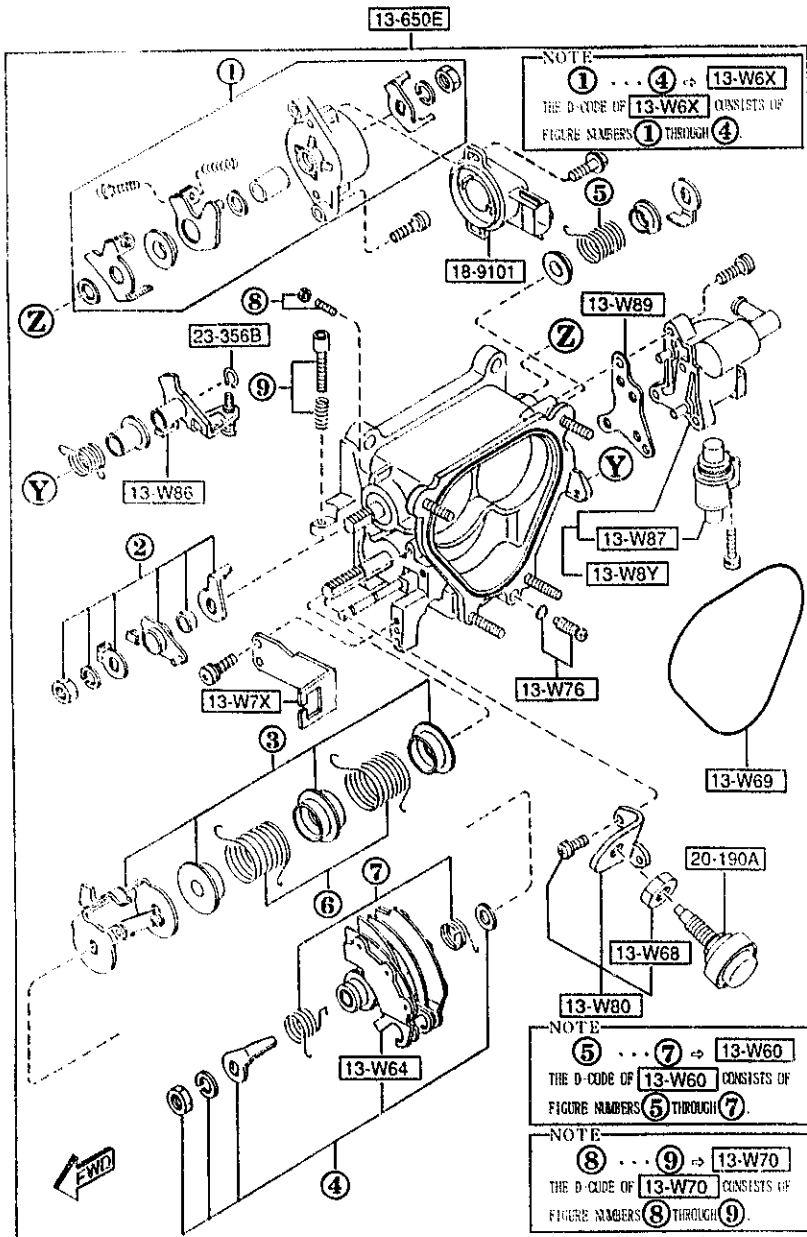
AUFA06

CAT. AUFA06-04

1997-01

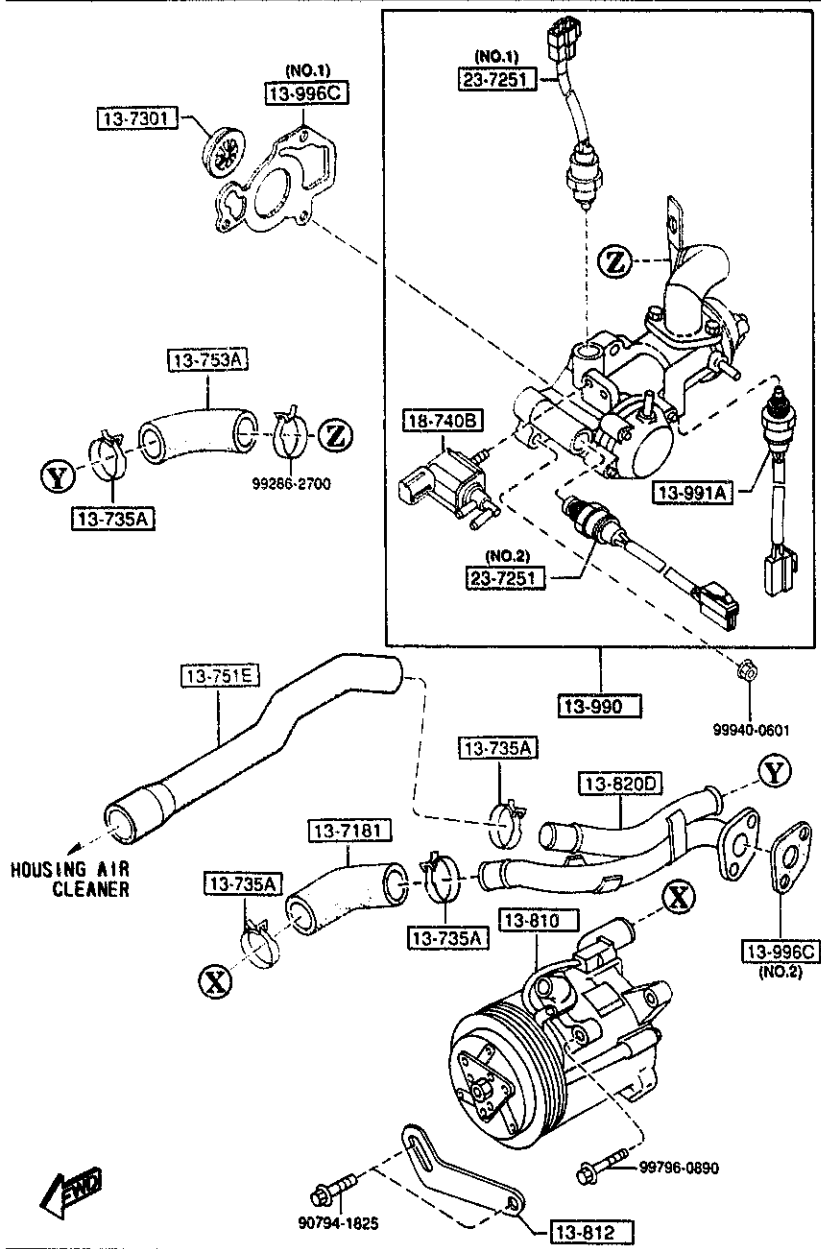


PART NO.	QTY	MODEL/RESTRICTION	MODEL/RESTRICTION	MODEL/RESTRICTION	FROM-TO
13-W6X		LEVER SET, THROTTLE BODY			
NSA1-13-W6X	1	(MT)			
NSA2-13-W6X	1	(AT)			
13-W60		SPRING SET, THROTTLE BODY			
NSA1-13-W60	1	(MT)			
NSA2-13-W60	1	(AT)			
13-W64		LEVER, THROTTLE			
NSA1-13-W64	1	(MT)			
NSA2-13-W64	1	(AT)			
13-W68		NUT			
NSA1-13-W68	1				
13-W69		RING, 'O'			
N390-13-W69	1				
13-W7X		HOLDER SET, THROTTLE BODY			
NSA1-13-W7X	1				
13-W70		SCREW SET, THROTTLE BODY			
NSA1-13-W70	1				
13-W76		SCREW, ID. ADJUST-TH. BODY			
NSA1-13-W76	1				
13-W8Y		HOUSING, WAX			
NSA1-13-W8Y	1				
13-W80		BRKT SET, DASH POT-TH ROD			
NSA1-13-W80	1				
13-W86		CAM, FIRST IDLE			
NSA1-13-W86	1				
13-W87		WAX, THERMO			
NSA1-13-W87	1				
13-W89		GASKET, THERMO			



PART NO.	QTY	MODEL/RESTRICTION	MODEL/RESTRICTION	MODEL/RESTRICTION	FROM-TO
CONT'D					
N3A1-13-W89	1				
13-650E		BODY, THROTTLE			
N3A1-13-640	1 (MT)				
N3A2-13-640	1 (AT)				
18-9101		SENSOR, THROTTLE POSI TION			
N3A1-18-911	1 (MT)				
N3A2-18-911	1 (AT)				
20-190A		DASH POT			
N350-20-190	1				
23-356B		RING, STOP			
N236-23-356	1				

1371 AIR PUMP & AIR CONTROL VALVE



PART NO.	QTY	MODEL/RESTRICTION	MODEL/RESTRICTION	MODEL/RESTRICTION	FROM-TO
13-7181		HOSE, AIR			
NSA3-20-752	1				
13-7301		VALVE, CHECK			
1480-13-730	1				
13-735A		CLAMP, HOSE			
NF01-13-735	4				
13-751E		HOSE, AIR			
NSA3-13-754A	1				
13-753A		HOSE, AIR			
NSA3-13-753	1				
13-810		PUMP, AIR			
NSA3-13-810	1 (MT)				
NSA4-13-810	1 (AT)				
13-812		STRAP, AIR PUMP			
NSA1-13-812	1				
13-820D		PIPE, AIR			
NSA3-13-820A	1				
13-990		VALVE, AIR CONTROL			
NSA3-13-990	1 (MT)				
NSA4-13-990	1 (AT)				
13-991A		VALVE, SOLENOID-A.C. VALVE			
NSA1-13-991	1				
13-996C		GASKET, A.C.V.			
NSA3-13-996	1 (ILLUST. NO.1)				
NSA4-13-996	1 (ILLUST. NO.2)				
18-740B		VALVE, SOLENOID			
NSA1-18-741	1				
23-7251		VALVE, SOLENOID			

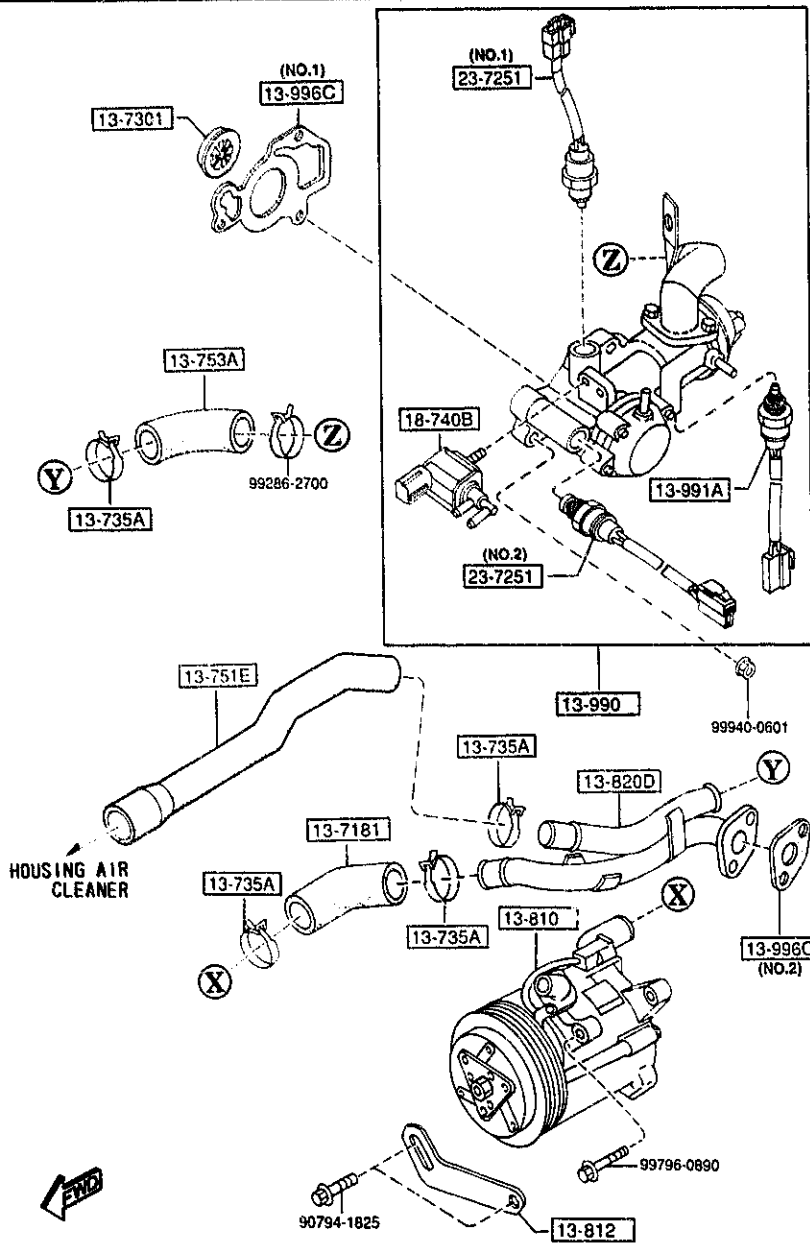
AUFA06

CAT. AUFA06-04

1997-01

1371 AIR PUMP & AIR CONTROL VALVE

1371 -2 * AIR PUMP & AIR CONTROL VALVE

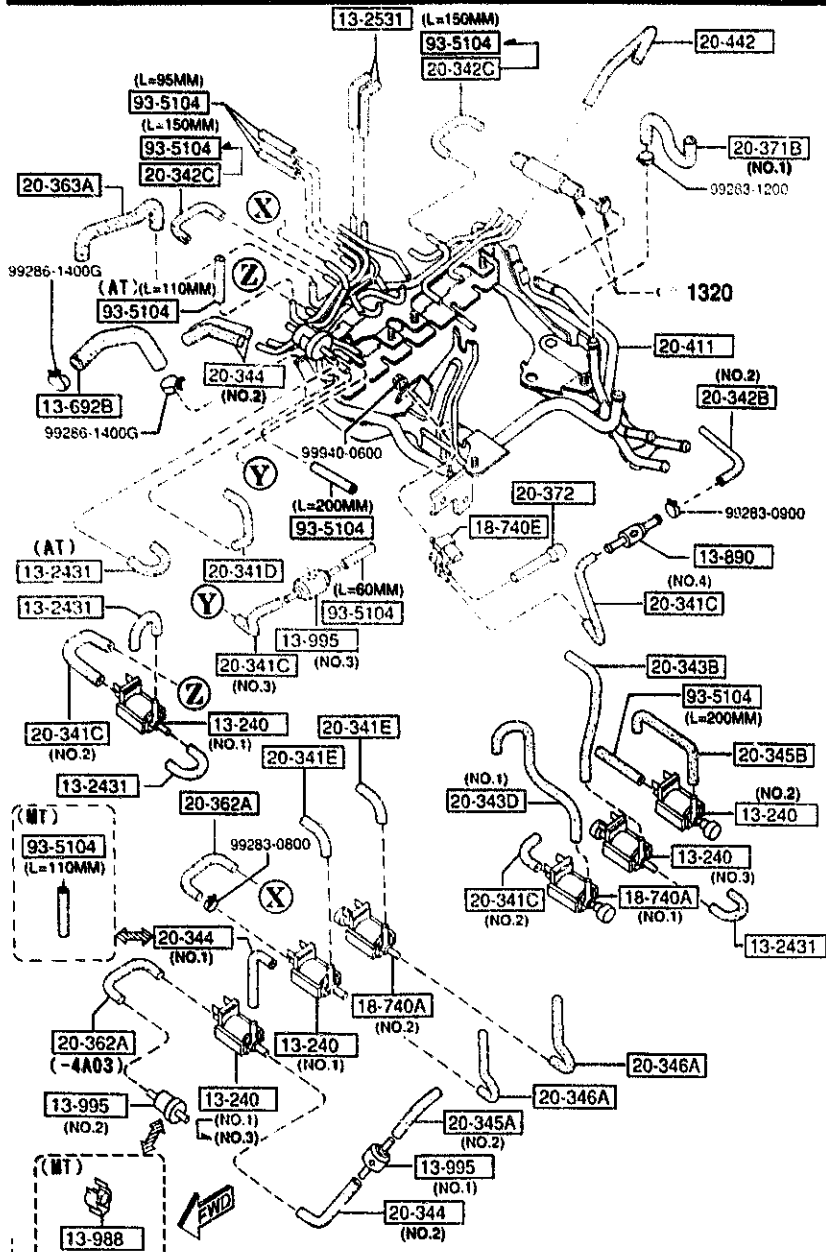


PART NO.	QTY	MODEL/RESTRICTION	MODEL/RESTRICTION	MODEL/RESTRICTION	FROM TO
CONT'D					
N250-20-725	1	(ILLUST. NO.1)			
N304-20-725	1	(ILLUST. NO.2)			

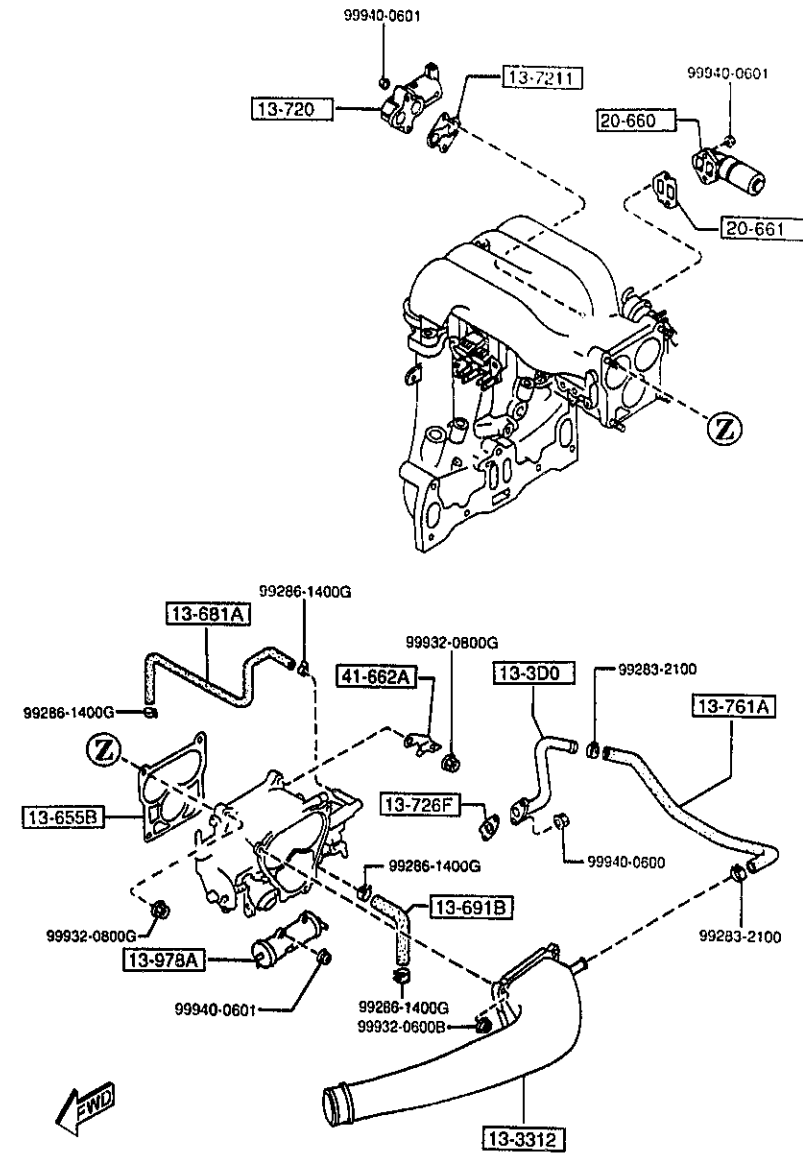
AUFA06

CAT. AUFA06-04

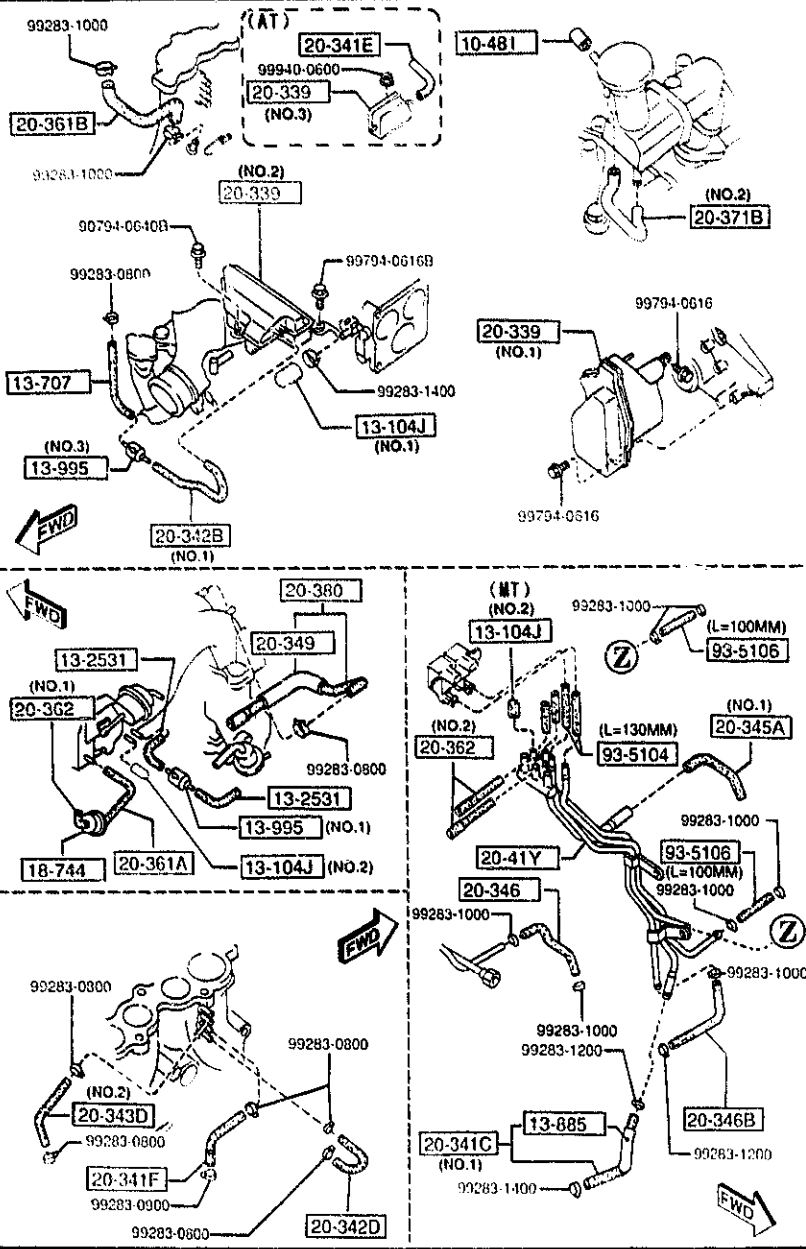
1997-01



AUFA06



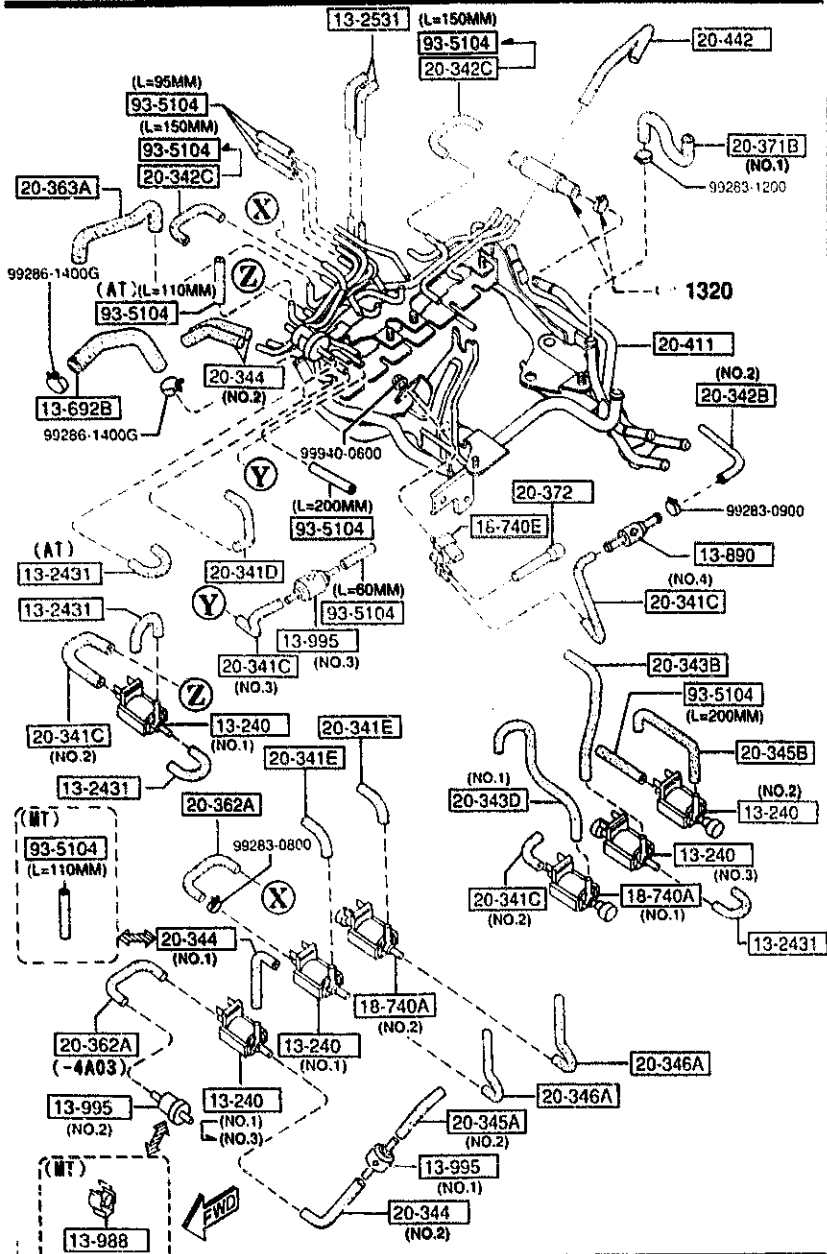
AUFA06



AUFA06

1380 EMISSION CONTROL SYSTEM

(1/3)



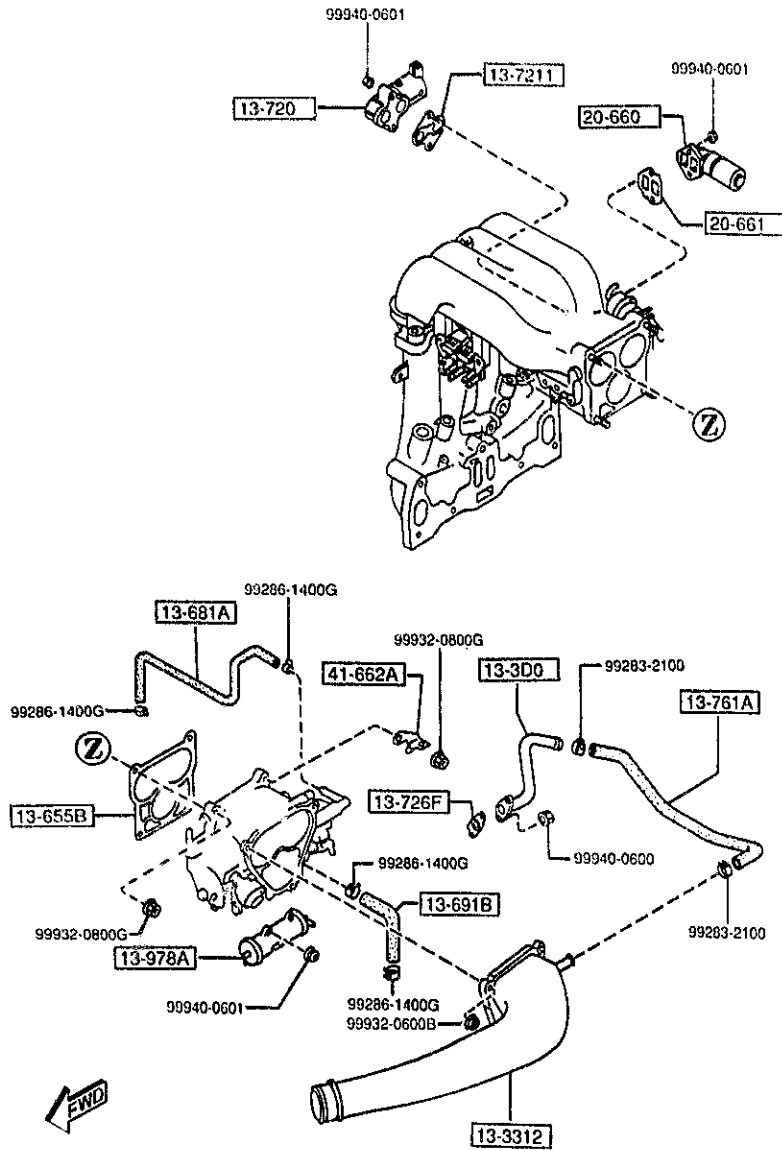
1380 -1 EMISSION CONTROL SYSTEM

PART NO.	QTY	MODEL/RESTRICTION	MODEL/RESTRICTION	MODEL/RESTRICTION	FROM TO
10-481		CAP			
2306-10-481	1				
13-104J		CAP, BLIND			
E303-13-104	1	(ILLUST. NO. 1)			
1010-13-104	1	(ILLUST. NO. 2) (AT)			
1010-13-104	2	(ILLUST. NO. 2) (MT)			
13-240		VALVE, SWAY			
1480-13-240A	3	(ILLUST. NO. 1) (AT)			
1481-13-240A	1	(ILLUST. NO. 2)			
1482-13-240A	1	(ILLUST. NO. 3) (AT)			
1480-13-240A	3	(ILLUST. NO. 1) (MT)			-4A03
1482-13-240A	1	(ILLUST. NO. 3) (MT)			-4A03
1480-13-240A	2	(ILLUST. NO. 1) (MT)			4A03-
1482-13-240A	2	(ILLUST. NO. 3) (MT)			4A03-
13-2431		HOSE, VACUUM			
N318-20-341A	3	(MT)			
N318-20-341A	4	(AT)			
13-2531		HOSE, VACUUM			
N236-13-253A	4				
13-3D0		PIPE, AIR-B.A.C.V.B.A. I.H.			
N3A1-13-3D0A	1				
13-3312		PIPE, AIR INTAKE			
N3C1-13-330	1				
13-655B		GASKET, THROTTLE BODY			
N3A1-13-655	1				
13-681A		HOSE, WATER			
4A03 FD333 -400014					

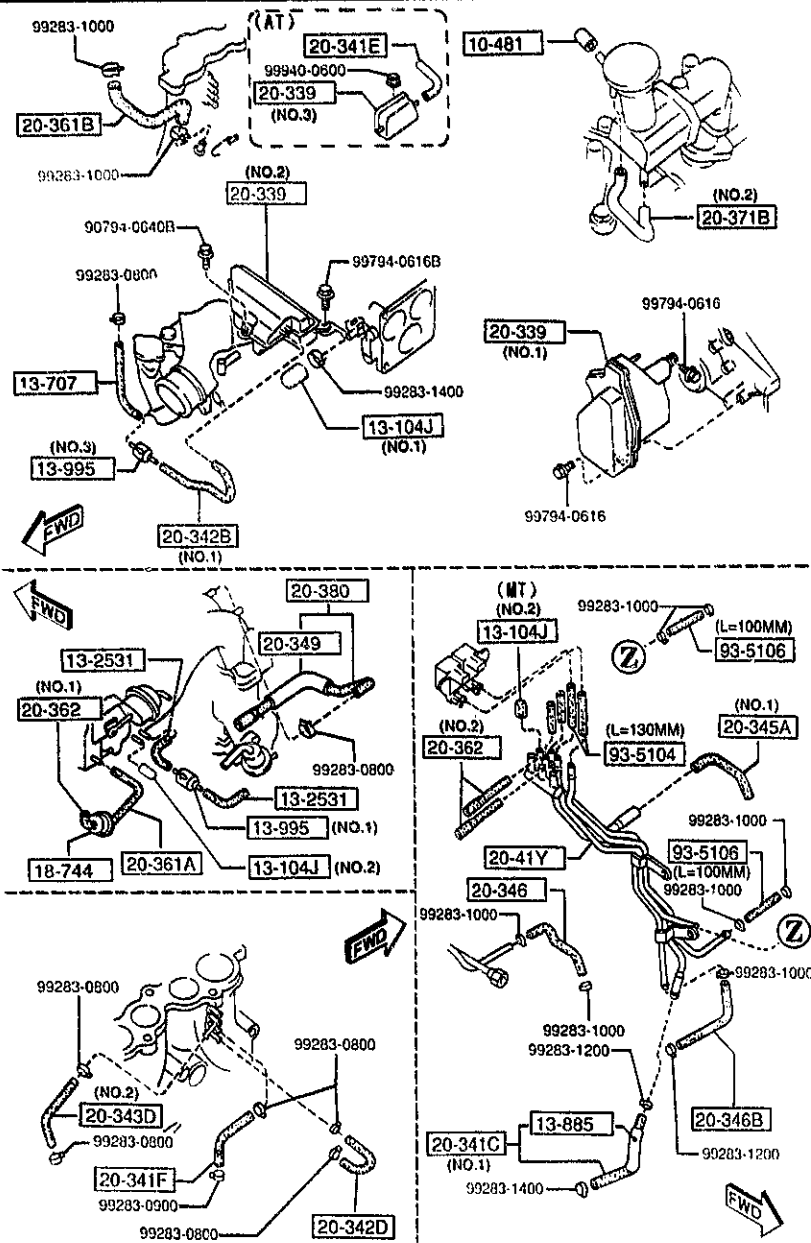
AUFA08

CAT. AUFA06-04

1997-01



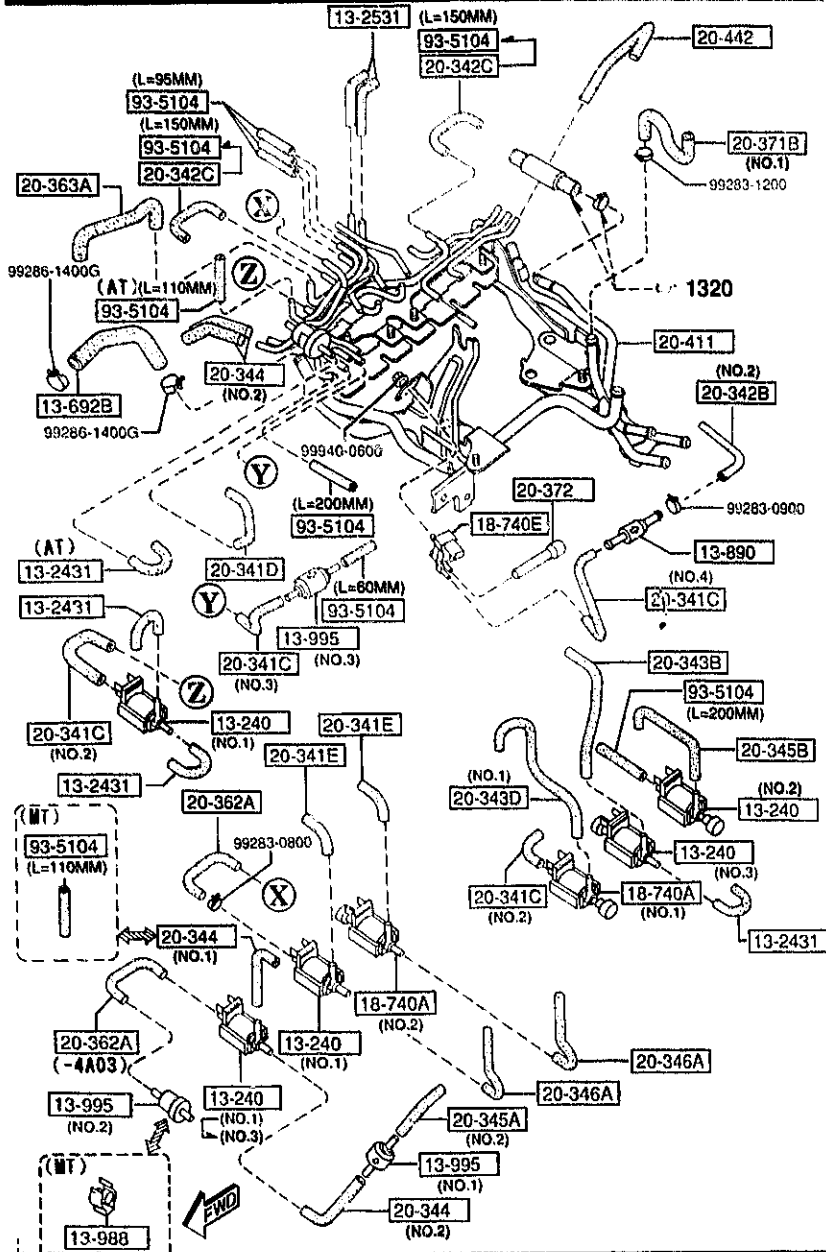
PART NO.	QTY	MODEL/RESTRICTION	MODEL/RESTRICTION	MODEL/RESTRICTION	FROM-TO
CONT'D					
N3A1-13-681A	1				
13-691B		HOSE, WATER			
N3A1-13-691A	1				
13-692B		HOSE, WATER			
N3A1-13-692A	1				
13-707		HOSE, AIR			
N350-13-896	1				
13-720		VALVE, SOL. -AIR BLEED EXTE			
N3A1-13-720	1				
13-7211		GASKET			
N3A1-13-721	1				
13-726F		GASKET, SOLENOID VALV E			
N3A1-13-726	1				
13-761A		HOSE, AIR			
N3A1-13-761A	1				
13-885		PROTECTOR, SPONGE			
N3A3-13-885	1				-4C01
13-890		VALVE, P. C. V.			
NF01-13-890	1				
13-978A		TANK, CATCH			
N3A1-13-978	1				
13-988		FILTER, AIR			
NF01-13-988A	1 (MT)				-4A03
13-995		VALVE, CHECK			
HE41-13-995	2 (ILLUST. NO. 1)				
N3A1-13-995	1 (ILLUST. NO. 2) (AT)				
N390-13-995A	2 (ILLUST. NO. 3)				
4A03 FD333 -400014					
4C01 FD333 -400022					



PART NO.	QTY	MODEL/RESTRICTION	MODEL/RESTRICTION	MODEL/RESTRICTION	FROM-TO
18-740A		VALVE, SOLENOID			
NSA7-18-741	1	(ILLUST. NO.1)			
N390-18-741	1	(ILLUST. NO.2)			
18-740E		VALVE, SOLENOID			
F285-18-741	1	MITSUBISHI			
18-744		FILTER, AIR			
S5A1-18-744	1				
20-339		CHAMBER, VACUUM			
N3C1-20-339	1	(ILLUST. NO.1)			
N3C2-20-339	1	(ILLUST. NO.2)			
N3C3-20-339	1	(ILLUST. NO.3) (AT)			
20-341C		TUBE, VACUUM			
NF01-20-341	2	(ILLUST. NO.2)			
N3A4-20-341	1	(ILLUST. NO.3)			
N3A5-20-341	1	(ILLUST. NO.4)			
N3A3-20-340 AN(N3A3-20-345A)	1	(ILLUST. NO.1)			4C01
N3A3-20-345A	1	(ILLUST. NO.1)			4C01-
20-341D		TUBE, VACUUM			
N3A1-20-341	1				
20-341E		TUBE, VACUUM			
N3A2-20-341A	2	(MT)			
N3A2-20-341A	3	(AT)			
20-341F		TUBE, VACUUM			
N3A3-20-341A	1				
20-342B		TUBE, VACUUM			
N3A1-20-342	1	(ILLUST. NO.1)			
N3A5-20-342	1	(ILLUST. NO.2)			
20-342C		TUBE, VACUUM			
4C01 FD333 -400022					

1380 EMISSION CONTROL SYSTEM

(1/3)

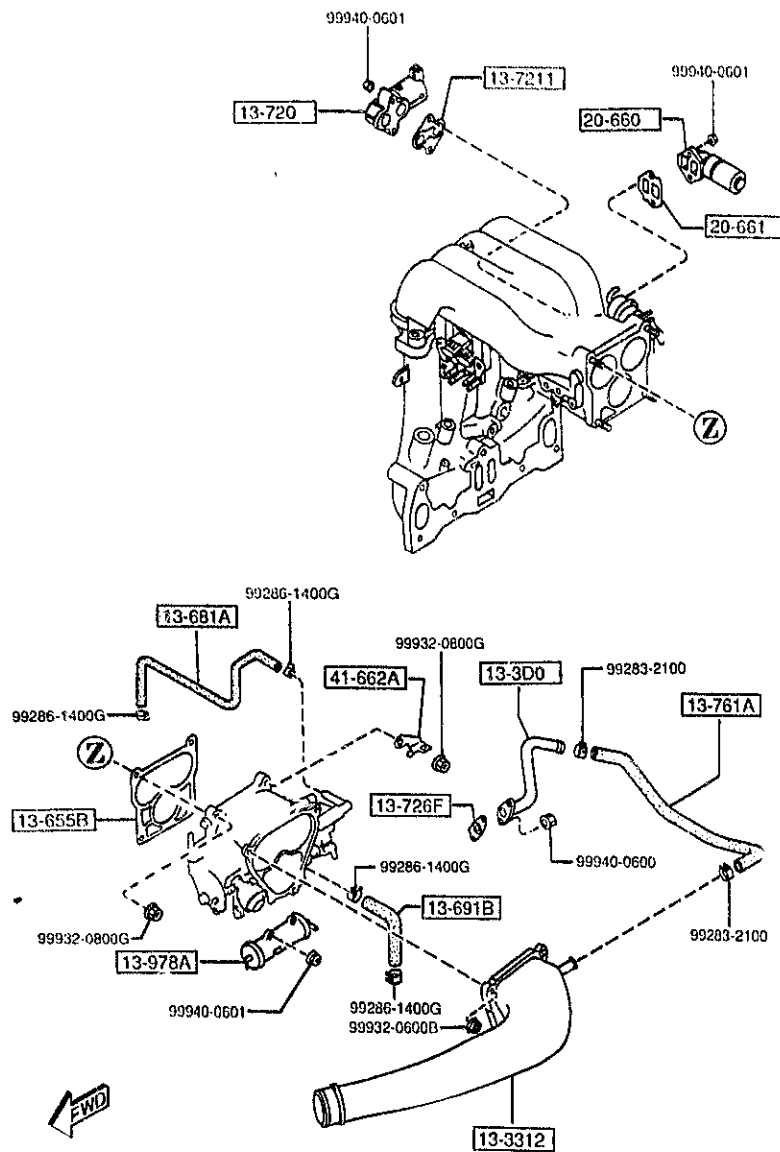


AUFA06

PART NO.	QTY	MODEL/RESTRICTION	MODEL/RESTRICTION	MODEL/RESTRICTION	FROM-TO
CONT'D					
N3A2-20-342	2				-4A03
20-342D		TUBE, VACUUM			
N3A3-20-342	1				
20-343B		TUBE, VACUUM			
N3A4-20-343	1				
20-343D		TUBE, VACUUM			
N3A2-20-343B	1	(ILLUST. NO.1)			
N3A3-20-343A	1	(ILLUST. NO.2)			
20-344		TUBE, VACUUM			
N3A2-20-344A	1	(ILLUST. NO.1) (AT)			
N3A4-20-344	3	(ILLUST. NO.2)			
20-345A		TUBE, VACUUM			
N3A1-20-345	1	(ILLUST. NO.1)			
N3A4-20-345	1	(ILLUST. NO.2)			
20-345B		TUBE, VACUUM			
N3A2-20-345A	1				
20-346		TUBE, VACUUM			
N3A1-20-346	1				
20-346A		TUBE, VACUUM			
N3A2-20-346	2				
20-346B		TUBE, VACUUM			
N3A3-20-346A	1				
20-349		PROTECTOR, VACUUM PIPE			
N3A1-20-348	1				-5403
20-361A		TUBE, VACUUM			
N3A1-20-361A	1				
20-361B		TUBE, VACUUM			
N3A2-20-361A	1				
4A03 FD333	-400014				
5403 FD333	-400028				

CAT. AUFAC6-04

1997-01

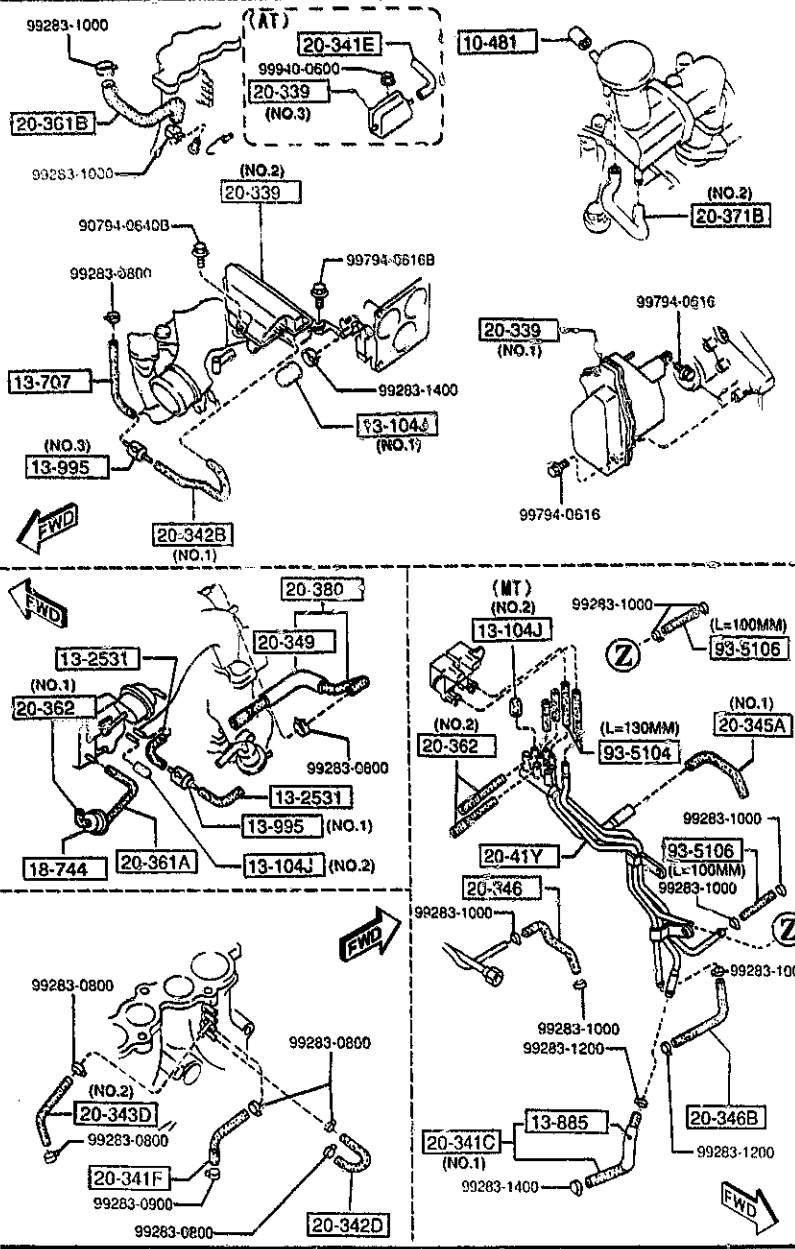


PART NO.	QTY	MODEL/RESTRICTION	MODEL/RESTRICTION	MODEL/RESTRICTION	FROM-TO
20-362		TUBE, VACUUM			
NSA1-20-362	1	(ILLUST. NO. 1)			
NSA4-20-362	2	(ILLUST. NO. 2)			
20-362A		TUBE, VACUUM			
NSA2-20-362	2	(AT)			
NSA2-20-362	2	(MT)			-4A03
NSA2-20-362	1	(MT)			4A03-
20-363A		TUBE, VACUUM			
NSA2-20-363	1				
20-371B		TUBE, VACUUM			
NSA1-20-371	1	(ILLUST. NO. 1)			
NSA2-20-371A	1	(ILLUST. NO. 2)			
20-372		TUBE, VACUUM			
NSA1-20-372A	1				
20-380		TUBE, VACUUM			
NSA1-20-380	1				-5403
20-41V		PIPE, AIR-VALVE ACTUATOR			
NSA1-20-41VA	1				
20-411		PIPE, VACUUM			
NSA1-20-410C	1				
20-442		TUBE, VACUUM			
J501-20-442	1				
20-660		VALVE, IDLE AIR CONTROL			
NSA1-20-660	1				
20-661		GASKET, B.A.C. VALVE			
NSA1-20-661	1				
41-662A		BRACKET, ACCEL CABLE			
FD01-41-662B	1				
4A03 FD333	-400014				
5403 FD333	-400028				

1380 EMISSION CONTROL SYSTEM

(3/3)

1380 EMISSION CONTROL SYSTEM



PART NO.	QTY	MODEL/RESTRICTION	MODEL/RESTRICTION	MODEL/RESTRICTION	FROM-TO
93-5106		HOSE			
99351-04299	1	L=3M CUT IT TO USE			
93-5106		HOSE			
99351-06999	3	L=3M CUT IT TO USE			

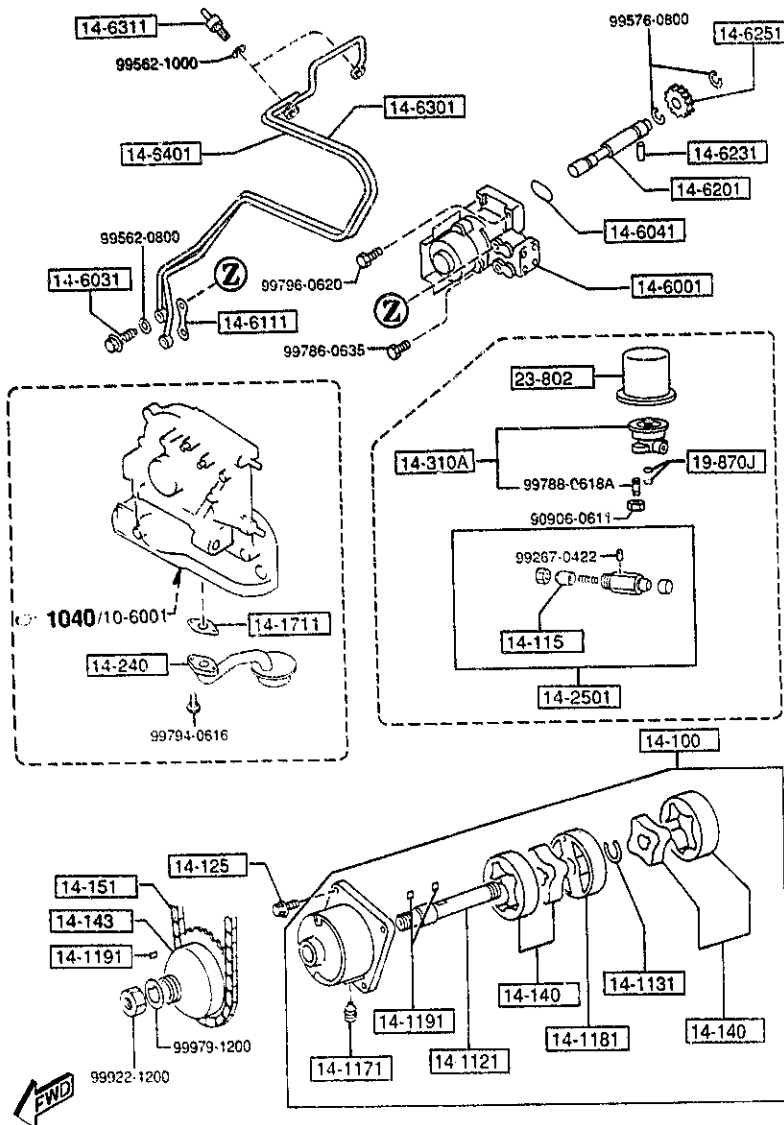
AUFA06

CAT. AUFA06-04

1997-01

1400 OIL PUMP & FILTER

1400 -1 OIL PUMP & FILTER



PART NO.	QTY	MODEL/RESTRICTION	MODEL/RESTRICTION	MODEL/RESTRICTION	FROM-TO
14-100		PUMP,OIL			
NF01-14-100	1				
14-1121		SHAFT,OIL PUMP			
N326-14-131	1				
14-1131		RING,SNAP			
0810-14-113	1				
14-115		PLUNGER,CONTROL			
0221-14-115	1				
14-1171		BOLT,LOCK			
N326-14-117	1				
14-1181		PLATE,MIDDLE			
NF01-14-135	1				
14-1191		KEY			
0839-14-119B	3				
14-125		BOLT,SET			
8553-14-125	4				
14-140		ROTOR			
N318-14-140	2				
14-143		WHEEL,SPROCKET			
N326-14-143	1				
14-151		CHAIN,OIL PUMP			
N326-14-151	1				
14-1711		GASKET,OIL STRAINER NON ASBESTOS			
N386-14-248	1				
14-240		STRAINER,OIL			
N3A1-14-240A	1				
14-2501		REGULATR,PRESSURE			

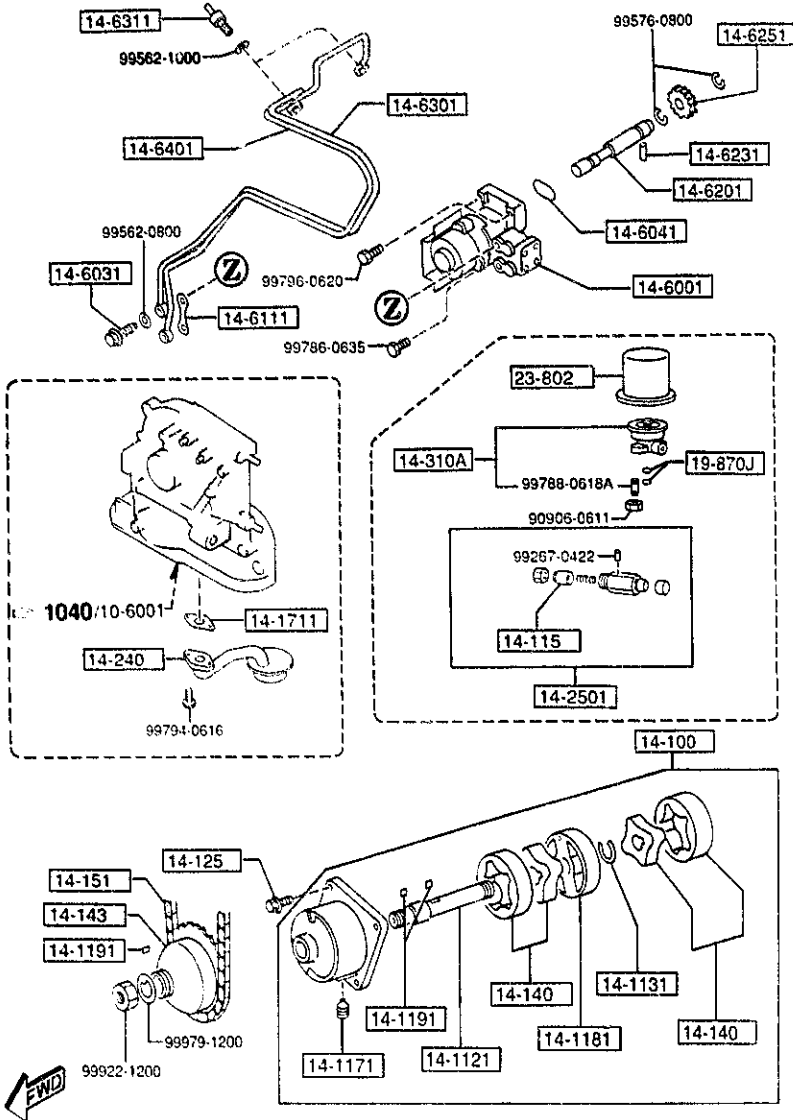
AUFA06

CAT. AUFA06-04

1997-01

1400 OIL PUMP & FILTER

1400 -2 OIL PUMP & FILTER



PART NO.	QTY	MODEL/RESTRICTION	MODEL/RESTRICTION	MODEL/RESTRICTION	FROM-TO
CONT'D					
NSA1-14-230	1				
----- 14-310A -----		BODY,OIL FILTER			
NSA1-14-310A	1				
----- 14-6001 -----		PUMP,METERING OIL			
NSA2-14-600	1				
----- 14-6031 -----		BOLT,CONNECTOR			
N236-14-603B	2				
----- 14-6041 -----		RING,'O'			
N350-14-604	1				
----- 14-6111 -----		GASKET,METERING OIL			
N390-14-602	1				
----- 14-6201 -----		SHAFT,DRIVEN GEAR			
N350-14-620	1				
----- 14-6231 -----		PIN,DRIVEN GEAR			
0813-14-623	1				
----- 14-6251 -----		GEAR,DRIVEN			
0820-14-625A	1				
----- 14-6301 -----		TUBE,METERING OIL			
NSA1-14-660A	1				
----- 14-6311 -----		BOLT,CONNECTOR			
N318-14-631	2				
----- 14-6401 -----		TUBE,METERING OIL			
NSA1-14-670A	1				
----- 19-870J -----		RING,'O'			
99541-01601	2				
----- 23-802 -----		CARTRIDGE,OIL FILTER (MAZDA MARK,T. ROKI)			
B6Y1-14-302 AN(B6Y1-14-302A)	1				-5A01
5A01 FD333 -400330					

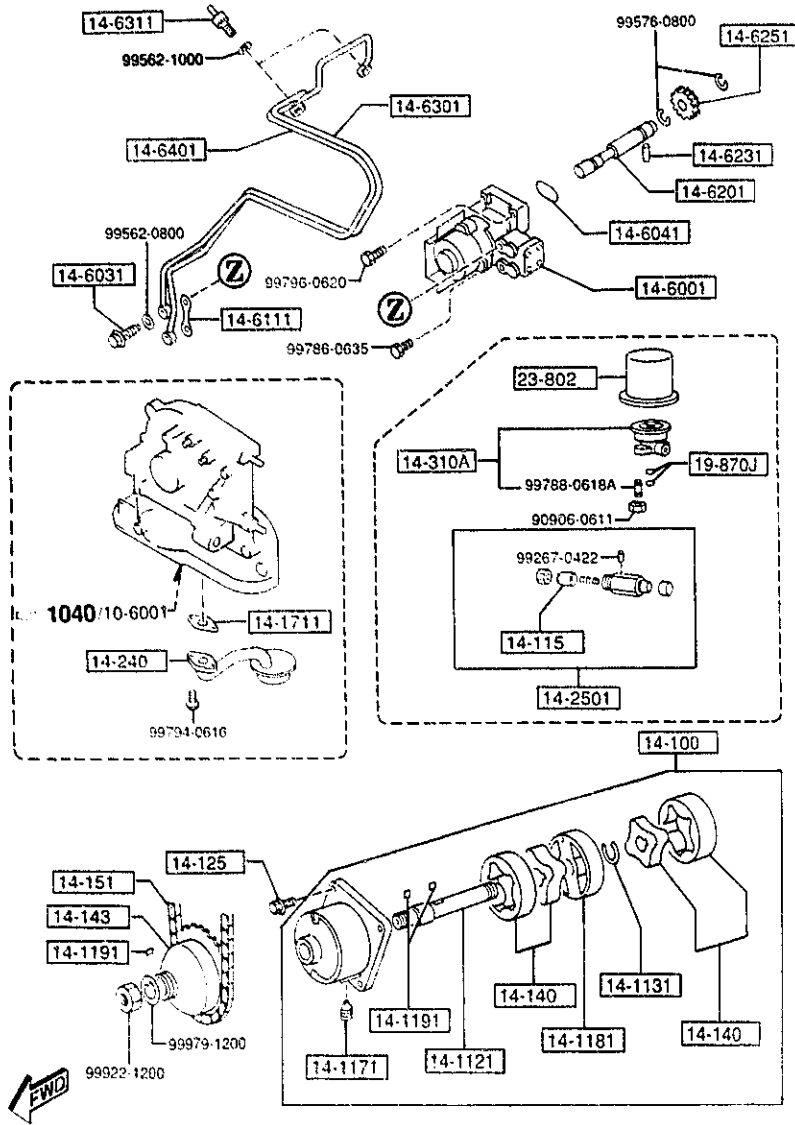
AUFA06

CAT. AUFA06-04

1997-01

1400 -3 * OIL PUMP & FILTER

1400 OIL PUMP & FILTER

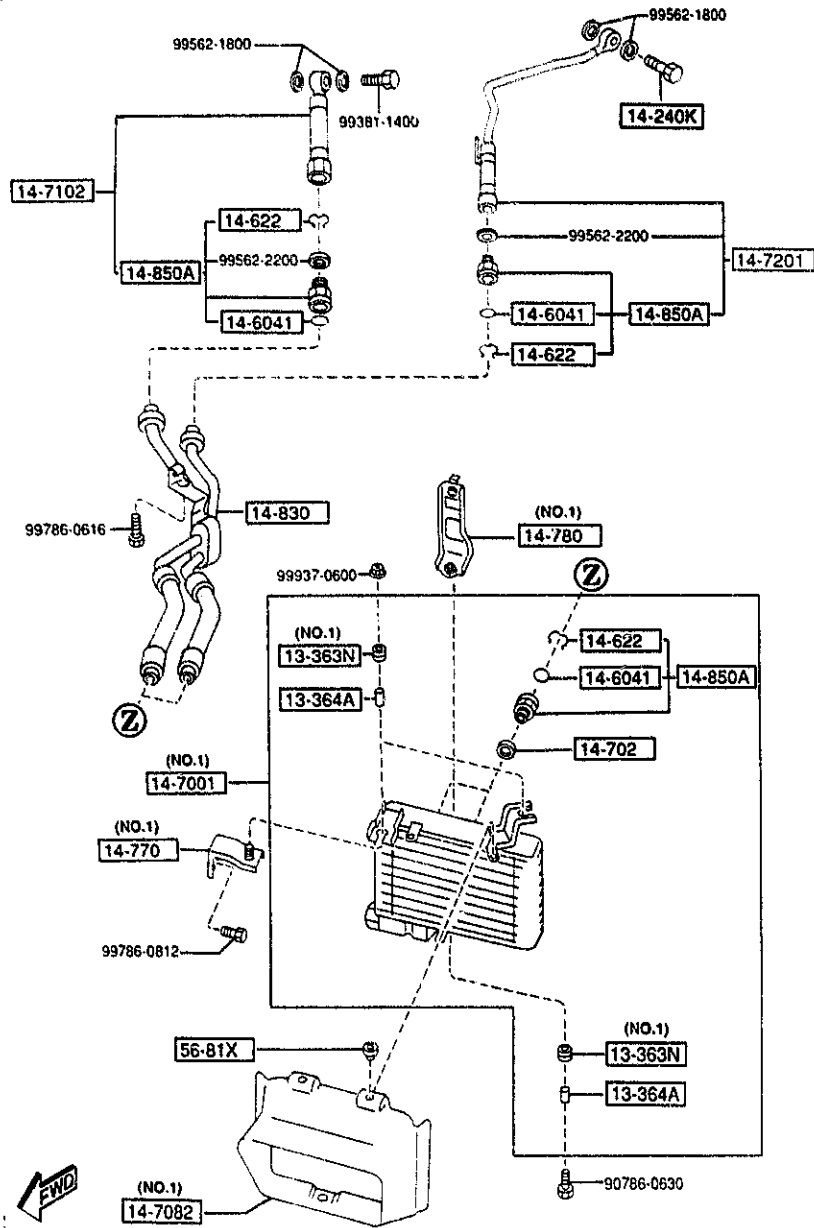


PART NO.	QTY	MODEL/RESTRICTION	MODEL/RESTRICTION	MODEL/RESTRICTION	FROM-TO
CONT'D *86Y1-14-302A	1	(MAZDA MARK T,ROKI)			5A01-
5A01 FD333 -400330					

AUFA06

CAT. AUFA06-04

1997-01

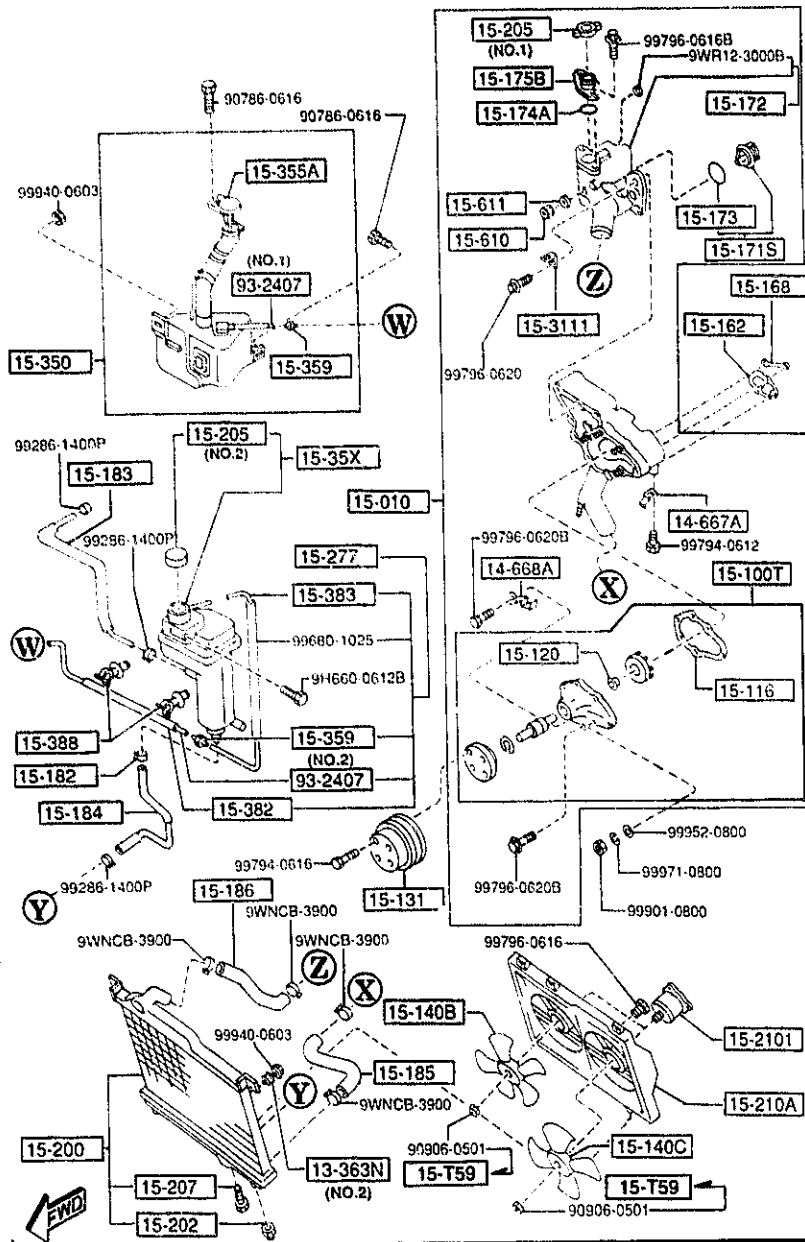



AUF08

1500 COOLING SYSTEM

(1/3)

1500 -1 COOLING SYSTEM



PART NO.	QTY	MODEL/RESTRICTION	MODEL/RESTRICTION	MODEL/RESTRICTION	FROM-TO
13-363N		RUBBER, MOUNTING			
NF01-13-363	3	(ILLUST. NO.1) (NOR. SUSP)			
NF01-13-363	6	(ILLUST. NO.1) (HARD SUSP)			
0222-13-363	2	(ILLUST. NO.2)			
13-364A		SPACER			
NF01-13-364	3	(NOR. SUSP)			
NF01-13-364	6	(HARD SUSP)			
14-240K		BOLT, CONNECTOR			
99381-1400	2				
14-604I		RING, 'O'			
N3A1-14-604	4	(NOR. SUSP)			
N3A1-14-604	6	(HARD SUSP)			
14-622		STOPPER, CONNECTOR			
N3A1-14-622	4	(NOR. SUSP)			
N3A1-14-622	6	(HARD SUSP)			
14-667A		CLIP, OIL TUBE			
N3A1-14-667A	1				
14-668A		CLIP, M. OIL TUBE			
N3A1-14-668A	1				
14-700I		COOLER, OIL			
N3A1-14-700	1	(ILLUST. NO.1)			
N3A3-14-700	1	(ILLUST. NO.2) (HARD SUSP)			
14-702		GASKET			
N3A1-14-702	2	(NOR. SUSP)			
N3A1-14-702	4	(HARD SUSP)			
14-782I		DUCT, OIL COOLER			
N3A1-14-708	1	(ILLUST. NO.1)			
N3B2-14-708	1	(ILLUST. NO.2) (HARD SUSP)			

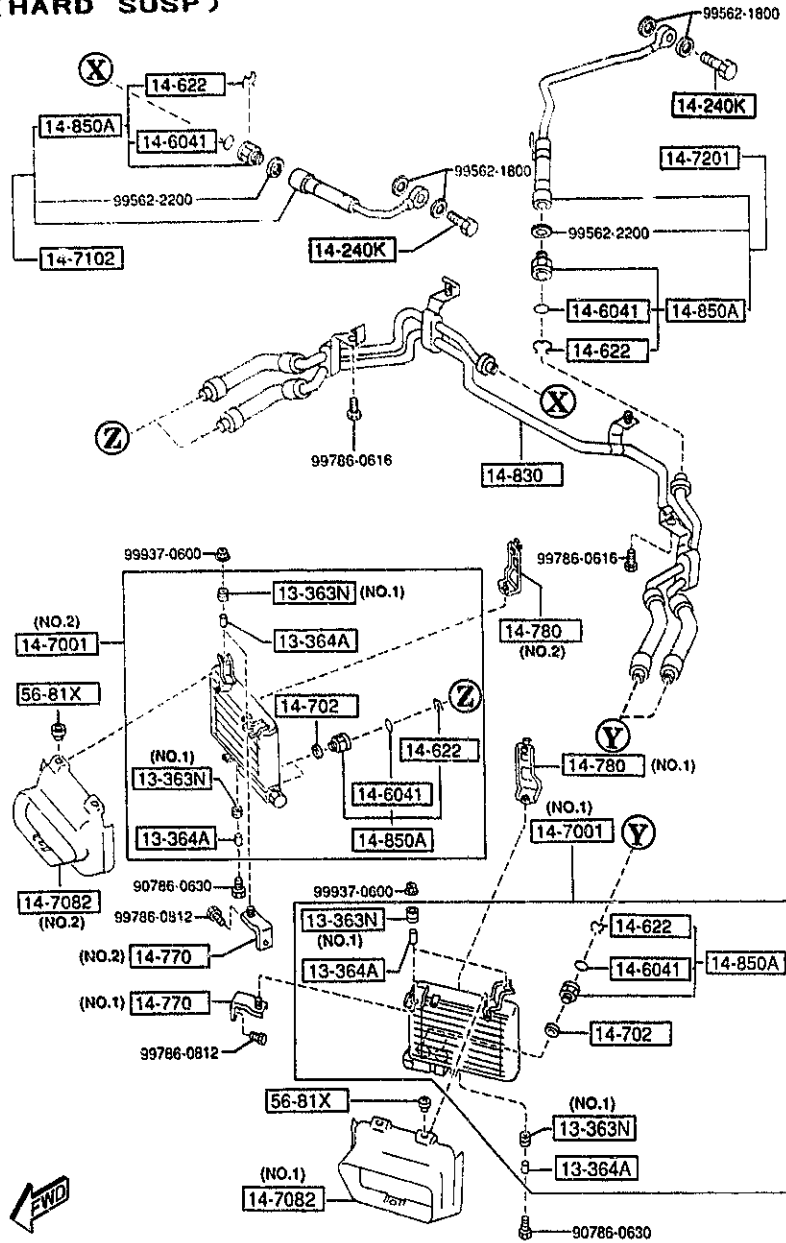
AUFA06

CAT. AUFA06-04

1997-01

1500 COOLING SYSTEM
(HARD SUSP)

(2/3)



1500 -2 COOLING SYSTEM

PART NO.	QTY	MODEL/RESTRICTION	MODEL/RESTRICTION	MODEL/RESTRICTION	FROM-TO
14-7102		HOSE,OIL			
NSA1-14-710B	1	(HARD SUSP)			
NSA2-14-710B	1	(NOR. SUSP)			
14-7201		HOSE,OIL			
NSA1-14-720B	1				
14-770		BRACKET,OIL COOLER			
NSA1-14-770B	1	(ILLUST. NO.1)			
NSA2-14-770B	1	(ILLUST. NO.2) (HARD SUSP)			
14-780		BRACKET,OIL COOLER			
NSA1-14-780B	1	(ILLUST. NO.1)			
NSA2-14-780B	1	(ILLUST. NO.2) (HARD SUSP)			
14-830		HOSE,OIL			
NSA1-14-830A	1	(NOR. SUSP)			
NSA3-14-830A	1	(HARD SUSP)			
14-850A		CONNECTOR,OIL COOLER			
NSA1-14-850	4	(NOR. SUSP)			
NSA1-14-850	6	(HARD SUSP)			
15-T59		NUT,COOLING FAN			
*B595-15-T59	2				5A11-
15-010		PUMP,WATER			
N3C1-15-010D	1	(MT)			
N3C2-15-010D	1	(AT)			
15-100T		HOUSING SET,BRG WATE R PUMP			
8AF4-15-100A	1				
15-116		GASKET,WATER PUMP			
NSA1-15-116	1				
15-120		SEAL,WATER-PUMP			
N3C1-15-120	1				
5A11 FD333 -400331					

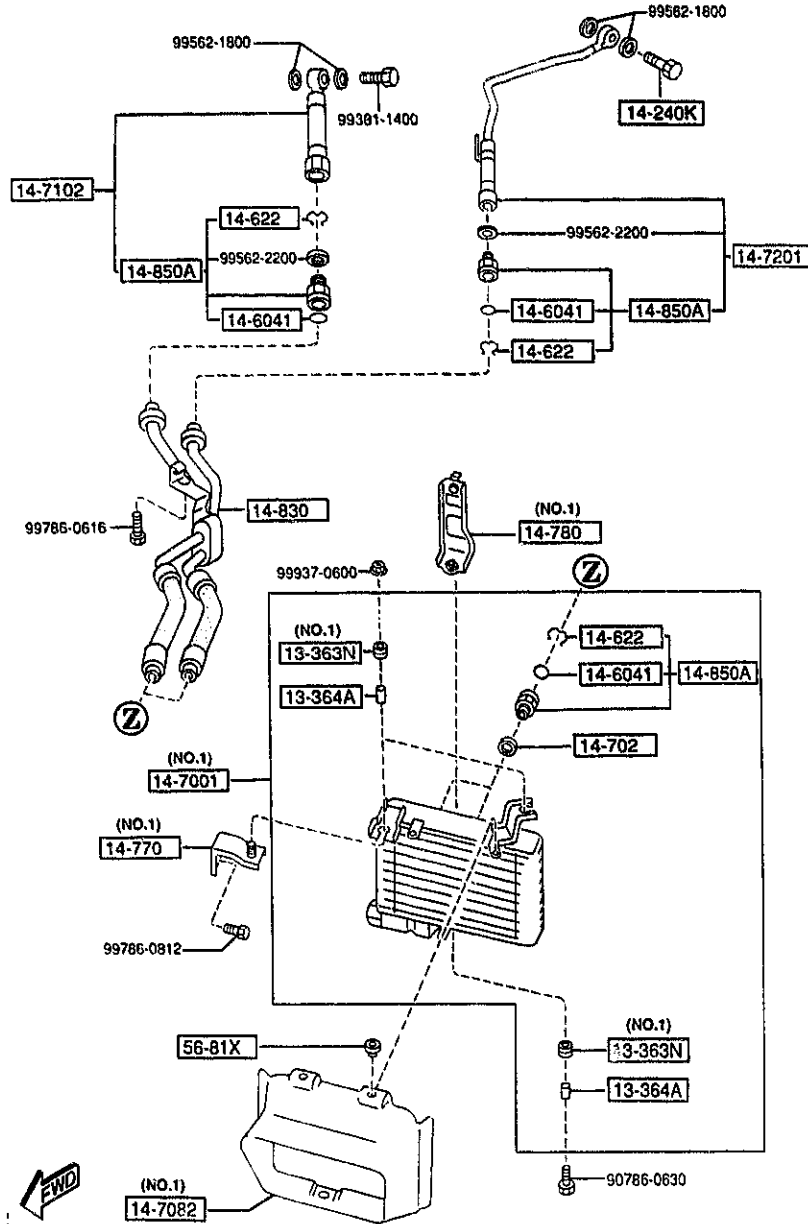
AUFA06

CAT. AUFA06-04

1997-01

1500 COOLING SYSTEM
(NOR SUSP)

(3/3)



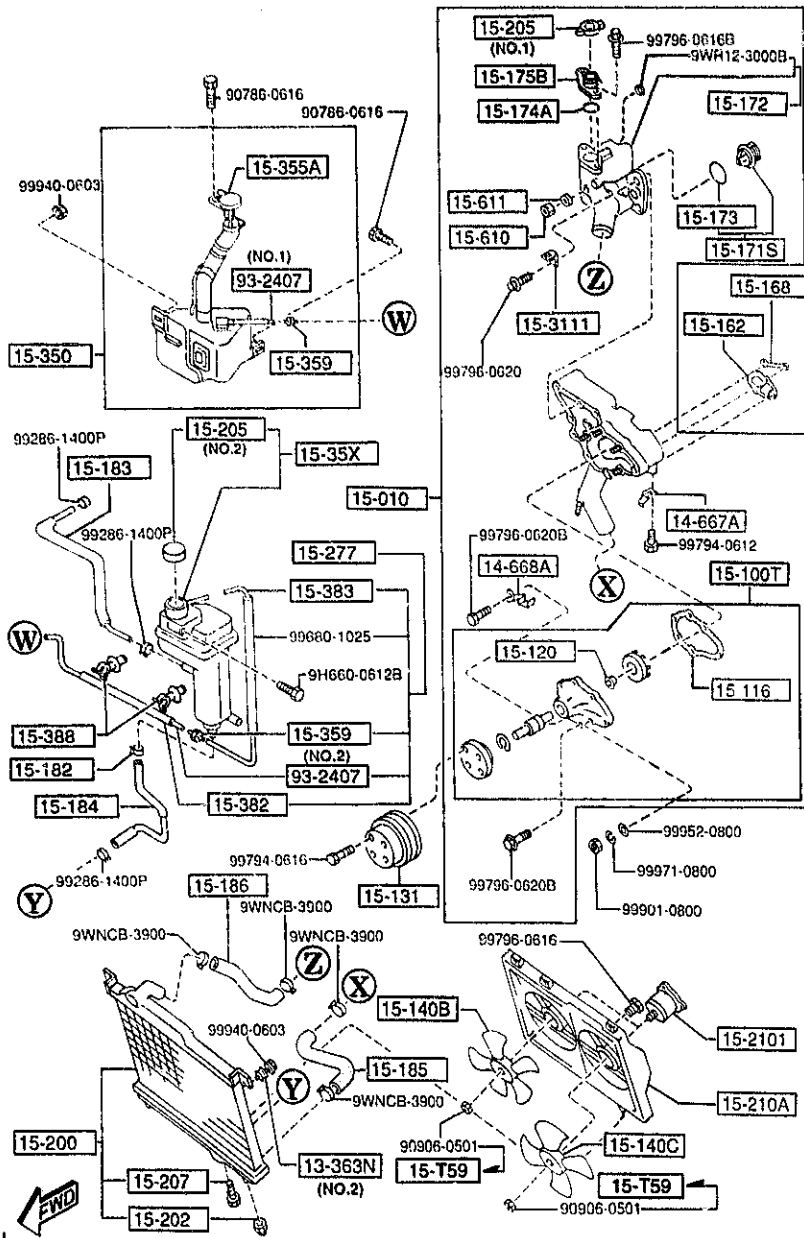
1500 -3 COOLING SYSTEM

PART NO.	QTY	MODEL/RESTRICTION	MODEL/RESTRICTION	MODEL/RESTRICTION	FROM-TO
15-131		PULLEY, WATER PUMP			
NSA1-15-131	1				
15-140B		FAN(R), COOLING			
NSA2-15-140	1				
15-140C		FAN(L), COOLING			
NSA1-15-140	1				
15-162		GASKET			
N386-15-162	1	NON ASBESTOS			
15-168		SHIM, WATER PIPE BRACKET			
NSA1-15-168	1				
15-171S		THERMOSTAT SET			
8AF6-15-171	1				
15-172		COVER, THERMOSTAT			
NSA1-15-170	1	(MT)			
NSA2-15-170	1	(AT)			
15-173		GASKET, THERMOSTAT COVER			
N3C1-15-173	1				
15-174A		RING			
N326-15-174	1				
15-175B		BODY, FILLER CAP			
N3C1-15-175	1				
15-182		CLAMP, WATER HOSE			
NSA1-15-182A	1				
15-183		HOSE, WATER			
NSA1-15-183A	1				
15-184		HOSE, WATER			
NSA1-15-184A	1				

AUFA06

CAT. AUFA06-04

1997-01



PART NO.	QTY	MODEL/RESTRICTION	MODEL/RESTRICTION	MODEL/RESTRICTION	FROM-TO
15-185		HOSE, WATER			
N3A1-15-185A A (N3A1-15-185B)	1				-5301
N3A1-15-185B	1				5301-
15-186		HOSE, WATER			
N3A1-15-186A A (N3A1-15-186B)	1				-5301
N3A1-15-186B	1				5301-
15-200		RADIATOR			
N3A1-15-200A	1 (MT)				
N3A2-15-200A	1 (AT)				
15-202		RUBBER, MOUNT			
JE4B-15-202	2				
15-205		CAP, RADIATOR			
KF01-15-205	1 (ILLUST. NO.1)				
N3A1-15-205A	1 (ILLUST. NO.2)				
15-207		COCK, DRAIN			
NF01-15-203	1	CALSONIC			
15-210A		COWLING, RADIATOR			
N3A2-15-211B A (N3A2-15-211C)	1				-5A11
*N3A2-15-211C	1				5A11-
15-2101		FAN DRIVE			
N3A1-15-150	2				
15-277		HOSE, WATER SUB TANK			
N3A1-15-380C	1				
15-3111		BRACKET			
N3A1-15-109	1				
15-35X		TANK, AIR SEPARATE			
N3A1-15-35XB	1				

5301 FD333 -400027
5A11 FD333 -400331

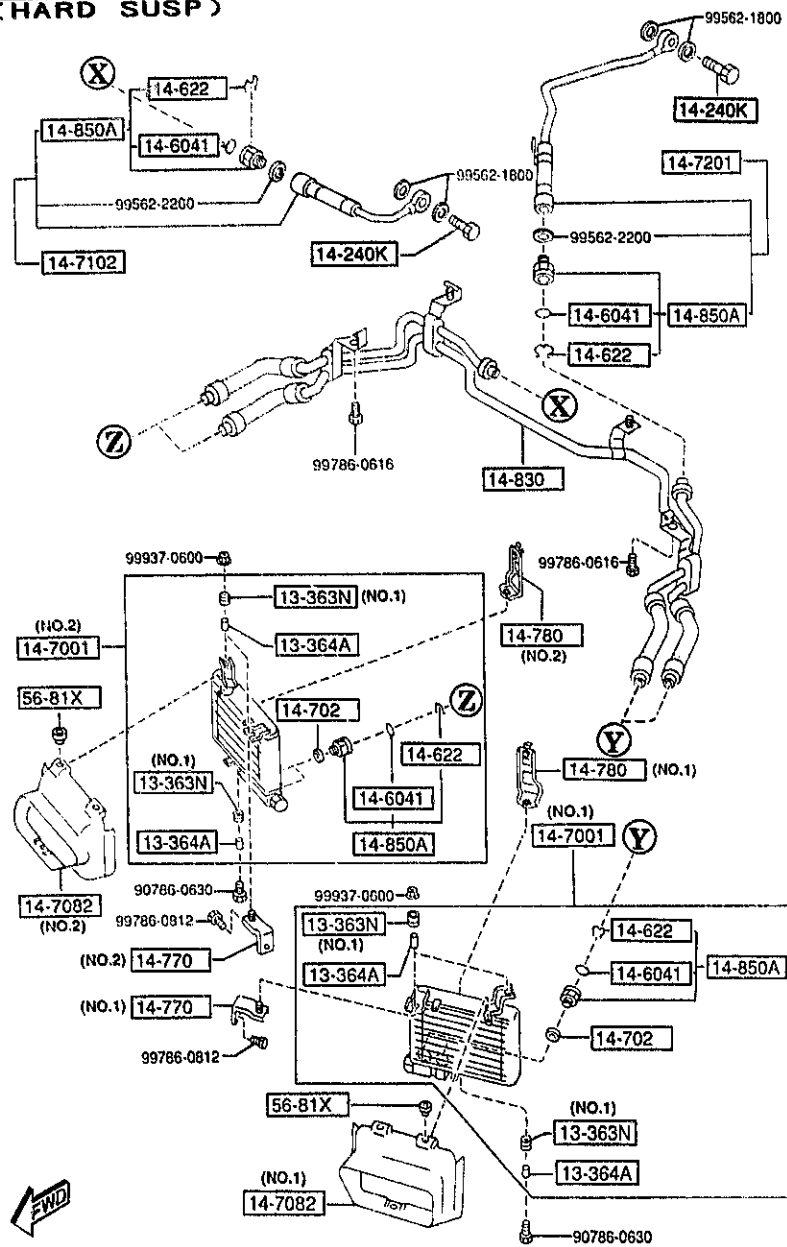
AUFA06

CAT. AUFA06-04

1997-01

1500 COOLING SYSTEM
(HARD SUSP)

(2/3)



1500 -5 * COOLING SYSTEM

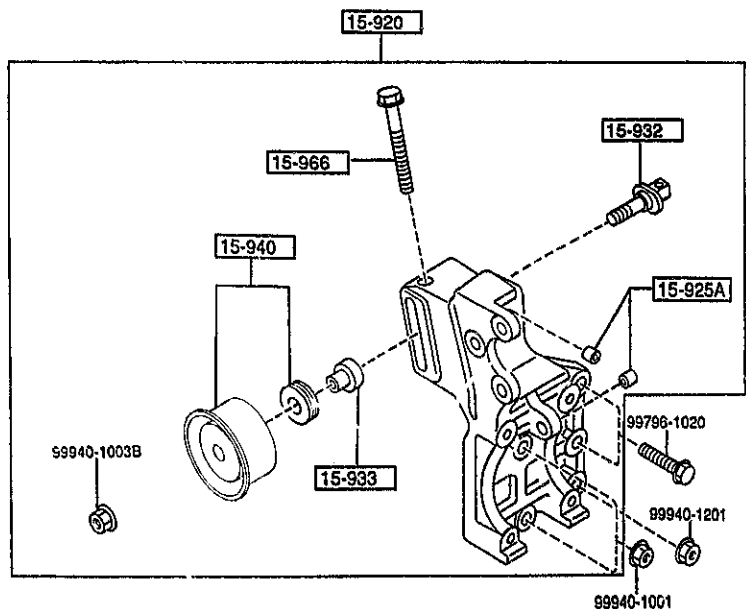
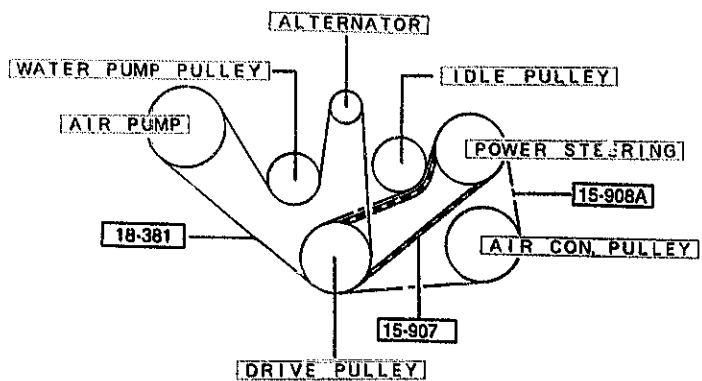
PART NO.	QTY	MODEL/RESTRICTION	MODEL/RESTRICTION	MODEL/RESTRICTION	FROM-TO
15-350		TANK, SUB-RADIATOR			
NSA1-15-350B	1				
15-355A		CAP, SUB TANK			
NSA1-15-355	1				
15-359		PIPE, JOINT			
NSA1-15-359	2				
15-382		PROTECTOR, HOSE-SUB TANK			
F201-15-382	1				5201
KF17-15-543	1				5201-
15-383		HOSE, SUB TANK			
NSA1-15-383	1				
15-388		CLIP, HOSE-SUB T. & WATER H			
F201-15-388A	2				
15-610		SENSOR, WATER LEVEL			
NSA1-15-610A	1				
15-611		GASKET			
8553-15-611	1				
56-81X		FASTENER, DUCT PANEL			
FB01-56-81X	3	(NOR. SUSP)			
FB01-56-81X	6	(HARD SUSP)			
93-2407		HOSE, WATER			
99324-07200	1	(ILLUST. NO. 1)			
99324-07400	1	(ILLUST. NO. 2)			
5201 FD333 -400026					

AUFA06

CAT. AUFA06-04

1997-01

1580 BRACKET, PULLEY & BELT



1580 -1 * BRACKET, PULLEY & BELT

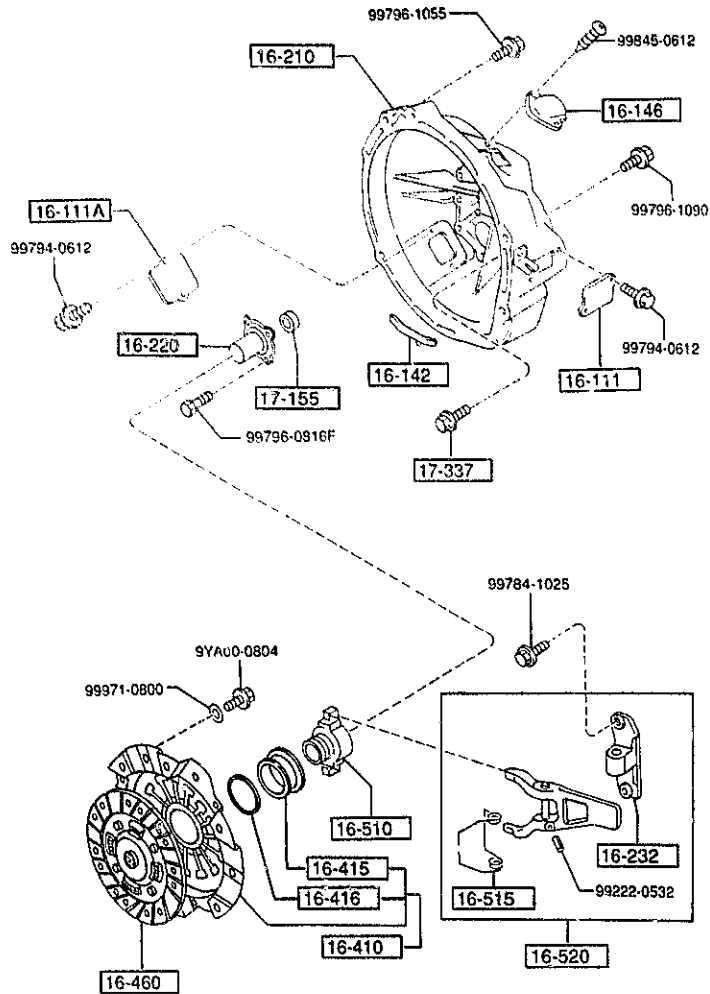
PART NO.	QTY	MODEL/RESTRICTION	MODEL/RESTRICTION	MODEL/RESTRICTION	FROM-TO
15-907		BELT 'V'			
N3A1-15-907	1	6PK-920			
15-908A		BELT, V			
N3A1-15-908	1	6PK-1045 (W/AIR CON.)			
15-920		BRACKET, COMPRESSOR			
N3A1-15-910A	1				
15-925A		BUSH			
N326-25-812	2				
15-932		SHAFT, PULLEY			
N3A1-15-932A	1				
15-933		COLLAR, COMP. BRKT			
N3A1-15-933A	1				
15-940		PULLEY, IDLE			
N3A1-15-94Y	1				
15-966		BOLT, ADJUST			
N3A1-15-966	1				
18-381		BELT 'V'			
N3A1-18-381	1	5PK-1355 (MT)			
N3A2-18-381	1	5PK-1310 (AT)			

AUFA06

CAT. AUFA06-04

1997-01

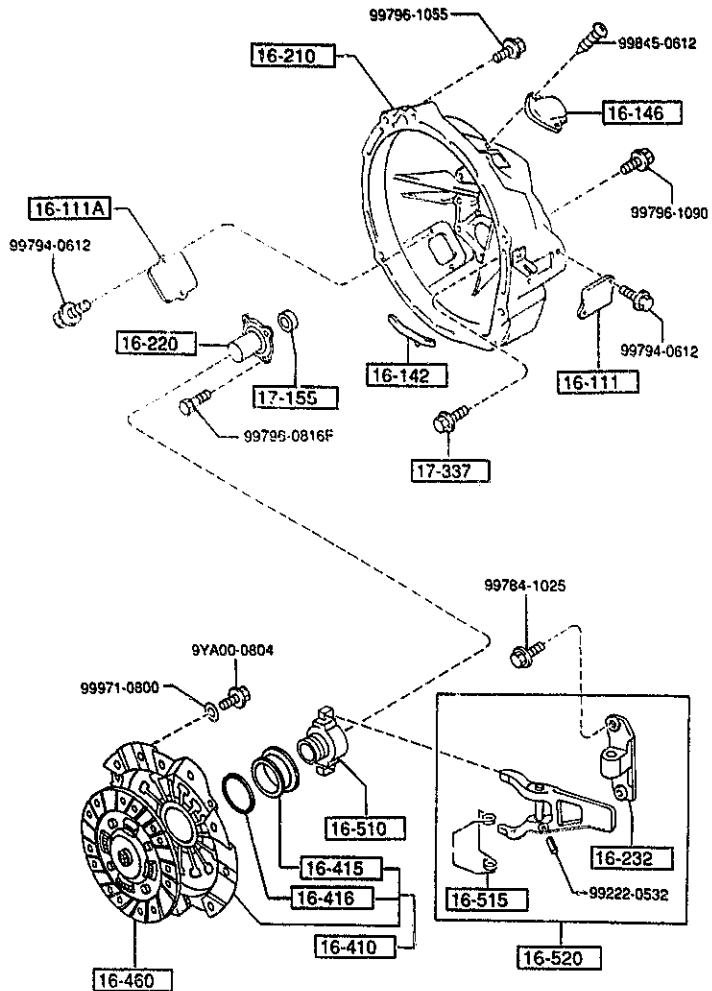
1600 CLUTCH DISC & COVER



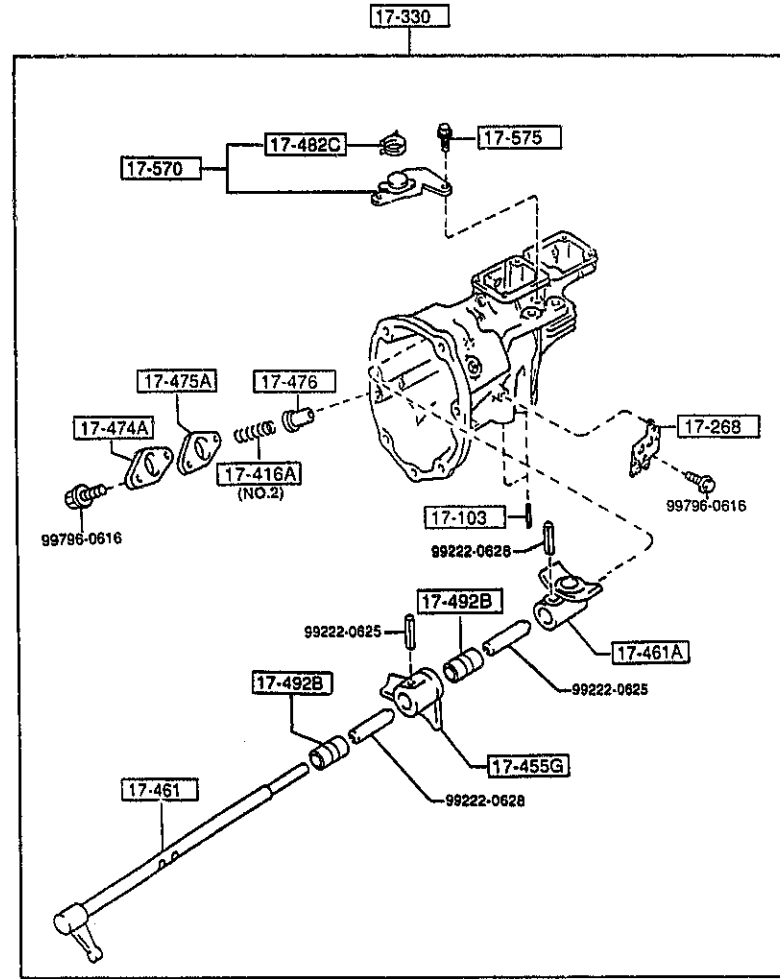
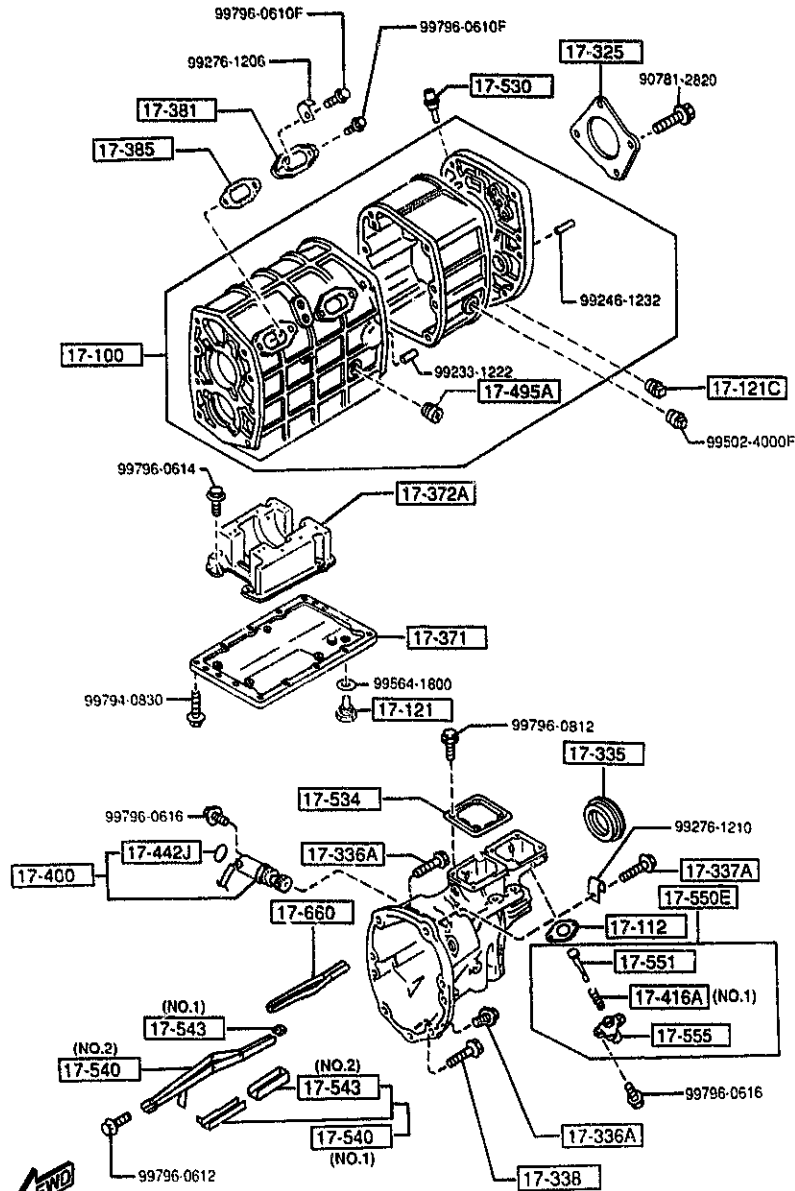
PART NO.	QTY	MODEL/RESTRICTION	MODEL/RESTRICTION	MODEL/RESTRICTION	FROM-TO
16-111		COVER, PEEPING HOLE			
N315-16-111	1				
16-111A		COVER, PEEPING HOLE			
N315-16-117	1				
16-142		COVER, BUSH			
N315-16-142	1				
16-146		COVER, VENT.			
N315-16-150	1				
16-210		HOUSING, CLUTCH			
N315-16-210B	1				
16-220		COVER, FRONT CLUTCH			
N315-16-221	1				
16-232		BUSH			
N315-16-522	1				
16-410		COVER, CLUTCH			
N315-16-410B	1				
16-415		COLLAR, WEDGE			
N315-16-415	1				
16-416		RING, WIRE			
N315-16-416	1				
16-460		DISC, CLUTCH			
N315-16-460C	1				
16-510		COLLAR, CLUTCH REL.			
N315-16-510	1				
16-515		SPRING, CLUTCH COLLAR			
N315-16-515	1				
16-520		FORK, CLUTCH RELEASE			
N315-16-520B	1				

1600 -2 * CLUTCH DISC & COVER

1600 CLUTCH DISC & COVER

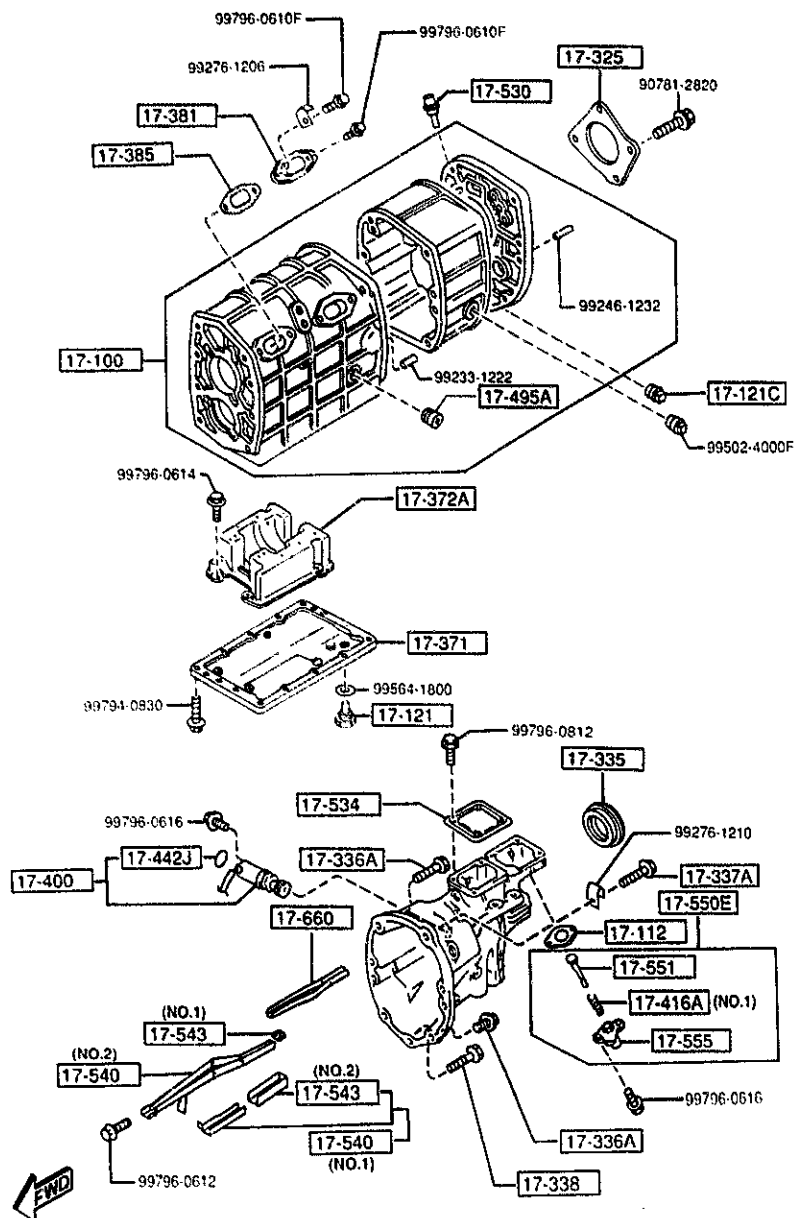


PART NO.	QTY	MODEL/RESTRICTION	MODEL/RESTRICTION	MODEL/RESTRICTION	FROM TO
17-155		SEAL,OIL			
H501-17-103	1				
17-337		BOLT			
R401-17-337A	10				



1700 MANUAL TRANSMISSION CASE

(1/2)

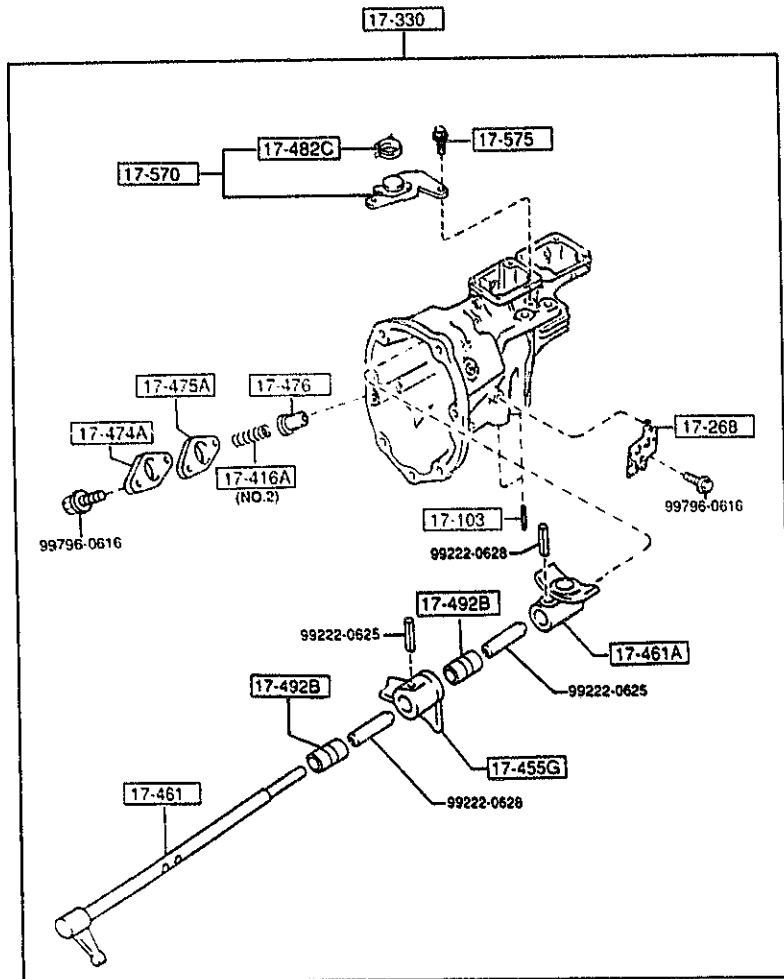


PART NO.	QTY	MODEL/RESTRICTION	MODEL/RESTRICTION	MODEL/RESTRICTION	FROM-TO
17-100		CASE, T/MISSION			
R501-17-20XA	1				
17-103		BOLT			
R526-17-103	2				
17-112		GASKET			
S524-17-112	1				
17-121		PLUG, MAGNET DRAIN			
P501-17-125A	1	L=50MM			
17-121C		PLUG, MAGNET			
0107-17-121	1				
17-268		CLIP			
R507-17-268	1				
17-325		COVER, BEARING			
0884-17-325B	1				-5901
A (0884-17-325C)					
0884-17-325C	1				5901-
17-330		HOUSING, EXTENSION			
R526-17-330A	1				-5401
A (R526-17-330B)					
R526-17-330B	1				5401-
17-335		SEAL, OIL			
R501-17-335A	1				
17-336A		BOLT			
R505-17-337	5				
17-337A		BOLT			
R504-17-337	1				
17-338		BOLT			
R502-17-338	1				
5401 FD333		-400028			
5901 FD333		-400232			

AUFA06

CAT. AUFA06-04

1997-01



PART NO.	QTY	MODEL/RESTRICTION	MODEL/RESTRICTION	MODEL/RESTRICTION	FROM-TO
17-371		COVER, UNDER			
R502-17-371	1				
17-372A		BAFFLE, OIL			
R501-17-372	1				
17-381		COVER, BLIND			
0810-17-381A	2				
17-385		GASKET, BLIND COVER NON ASBESTOS			
R501-17-385A	2				
17-400		GEAR SET, DRIVEN-SPEE D			
R505-17-400B					
17-416A		SPRING			
R505-17-416	1 (ILLUST. NO.1)				
R506-17-416	1 (ILLUST. NO.2)				
17-442J		RING, 'O'			
1011-17-443	1				
17-455G		SELECTOR			
R504-17-455	1				
17-461		LEVER, CONTROL			
R514-17-450A A (R514-17-450B)	1				-5401
R514-17-450B	1				5401-
17-461A		END, CONTROL LEVER			
R522-17-461A	1				
17-474A		CAP, SPRING			
M501-17-474	1				
17-475A		GASKET, SPRING CAP			
M501-17-475	1				
17-476		SPINDLE, SELECT LOCK			
5401 FD333 -400028					



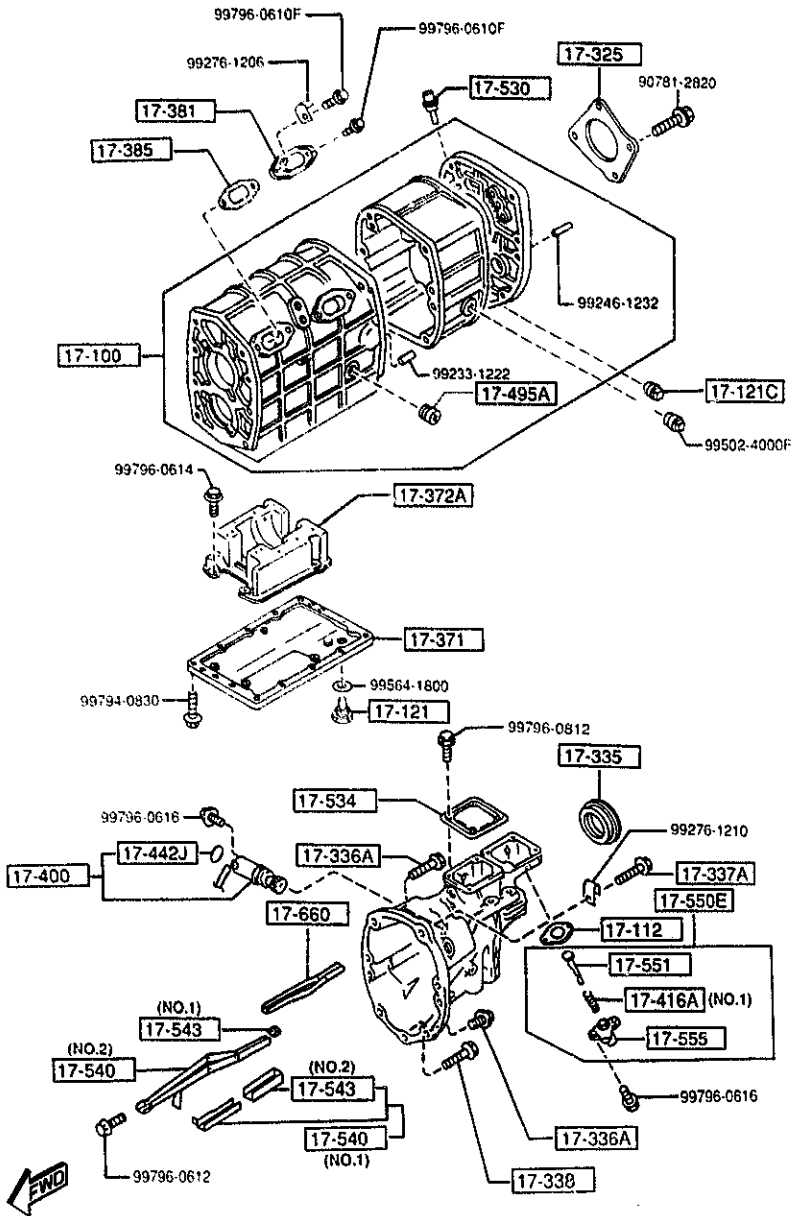
AUFA06

CAT. AUFA06-04

1997-01

1700 MANUAL TRANSMISSION CASE

(1/2)

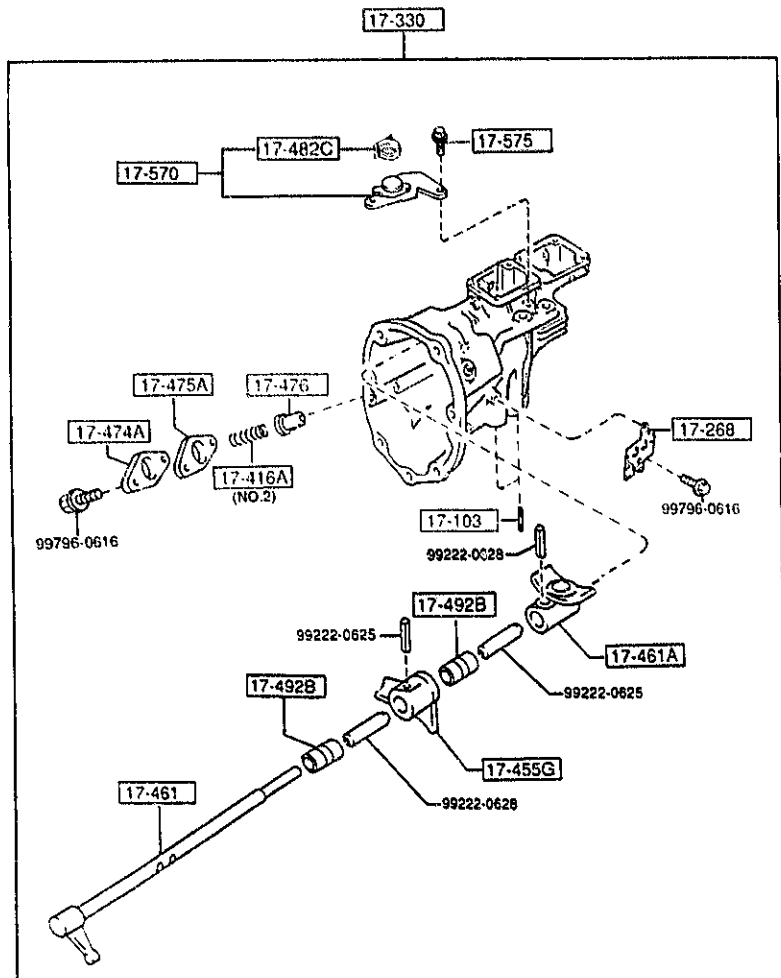


PART NO.	QTY	MODEL/RESTRICTION	MODEL/RESTRICTION	MODEL/RESTRICTION	FROM-TO
CONT'D R501-17-476	1				
17-482C		SPRING, REVERSE GATE			
G5A0-17-482B	1				
17-492B		BUSH, SHIFT ROD-DIFF. LOCK			
G5A0-17-492	2				5401-
17-495A		PLUG			
R502-17-495	1				
17-530		BREATHER, AIR-T/MISSION			
M501-17-530A	1				
17-534		COVER, BLIND-EXTENSION HOUSING			
R501-17-523	1				
17-540		PASS, OIL			
R505-17-540	1	(ILLUST. NO. 1)			
R507-17-540	1	(ILLUST. NO. 2)			
17-543		RUBBER, SEAL			
M501-17-543A	1	(ILLUST. NO. 1)			
R505-17-543	1	(ILLUST. NO. 2)			
17-550E		SPINDLE, SELECT			
R503-17-550	1				
17-551		SPINDLE, SELECT LOCK			
R502-17-551	1				
17-555		HOLDER, SPINDLE			
R501-17-555	1				
17-570		GUIDE, CHANGE			
R526-17-570	1				
17-575		BOLT			
P501-17-575	2				
5401 FD333 -400028					

AUFA06

CAT. AUFA06-04

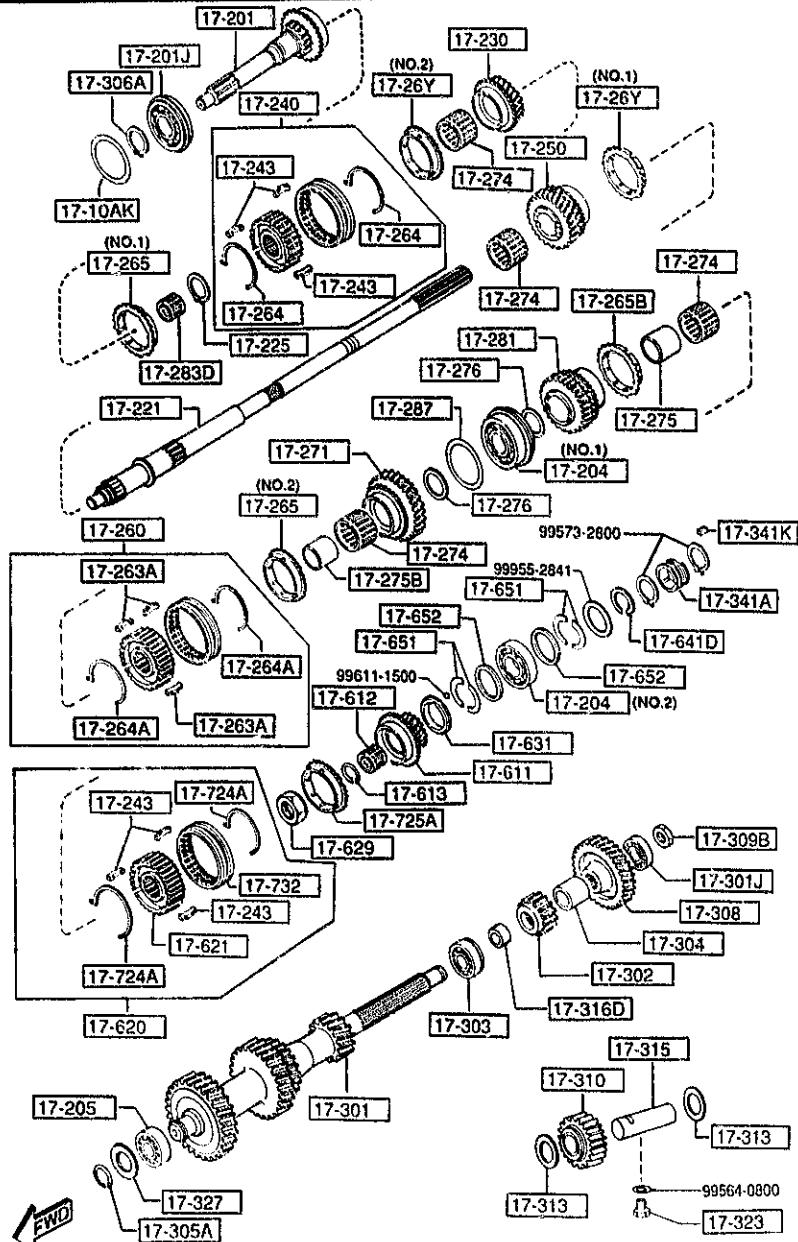
1997-01



PART NO.	QTY	MODEL/RESTRICTION	MODEL/RESTRICTION	MODEL/RESTRICTION	FROM-TO
17-660 0862-17-660C	1	PASS,OIL			



1710 MANUAL TRANSMISSION GEARS



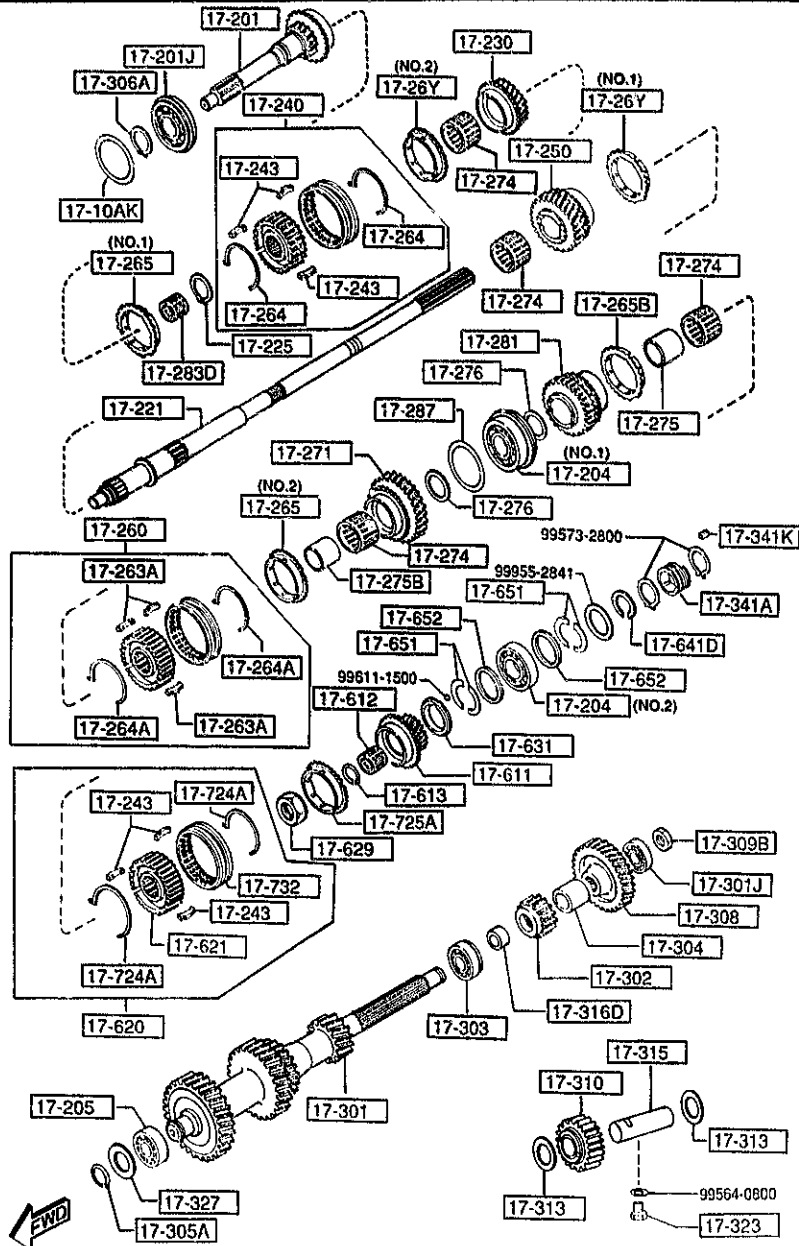
PART NO.	QTY	MODEL/RESTRICTION	MODEL/RESTRICTION	MODEL/RESTRICTION	FROM-TO
17-10AK		SHIM, ADJUST			
99963-6930	1	T=0.3MM			
99963-6940	1	T=0.4MM			
99963-6950	1	T=0.5MM			
99963-6960	1	T=0.6MM			
99963-6970	1	T=0.7MM			
17-201		GEAR, MAIN DRIVE			
R509-17-21X	1				
17-201J		BEARING, BALL-MAIN DRIVE GEAR			
R501-17-295	1				
17-204		BEARING, BALL-MAIN SHAFT			
R501-17-204	1	Q=75/I=32/W=20 (ILLUST. NO.1)			
R502-17-204	1	Q=68/I=28/W=18 (ILLUST. NO.2)			-4A01
A (99606-63563)	1				
99606-63563	1	Q=68/I=28/W=18 (ILLUST. NO.2)			4A01-
17-205		BEARING, ROLLER			
R502-17-306A	1				
17-221		SHAFT, MAIN			
R503-17-221B	1				
17-225		RING, SNAP			
0317-17-225	1				
17-230		GEAR, 3RD			
R527-17-230	1				-5A01
R532-17-230	1				5A01-
17-240		HUB SET, CLUTCH-3RD & 4TH			
R523-17-240	1				
4A01 FD333 -400014 5A01 FD333 -400330					

AUFA06

CAT. AUFA06-04

1997-01

1710 MANUAL TRANSMISSION GEARS



1710 -2 MANUAL TRANSMISSION GEARS

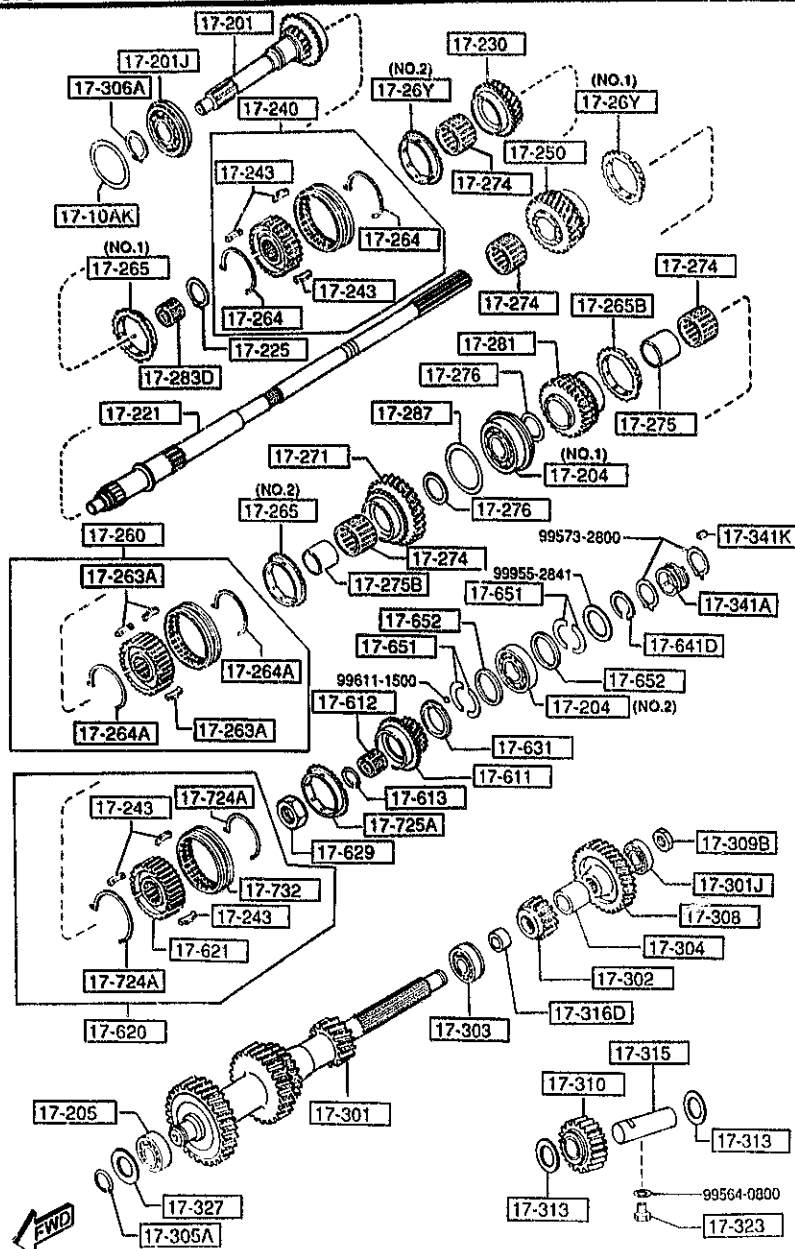
PART NO.	QTY	MODEL/RESTRICTION	MODEL/RESTRICTION	MODEL/RESTRICTION	FRON-TO
17-243		KEY, SYNCHRONIZER			
F401-17-243A	6				
17-250		GEAR, 2ND			
R535-17-250	1				-5A01
AN(R535-17-250A)					5A01-
R535-17-250A	1				
17-26Y		RING, SYNCHRONIZER			
R503-17-26Y	1	(ILLUST. NO.1)			
R504-17-26Y	1	(ILLUST. NO.2)			
17-260		HUB SET, CLUTCH-1ST & 2ND			
R523-17-260A	1				-5301
A (R523-17-260B)					5301-
R523-17-260B	1				
17-263A		KEY, SYNCHRONIZER			
W501-17-263A	3				
17-264		SPRING, SYNCHRO. KEY			
Q401-17-264	2				
17-264A		SPRING, SYNCHRONIZER			
R501-17-264	2				
17-265		RING, SYNCHRONIZER			
M502-17-265C	1	(ILLUST. NO.1)			
R514-17-265B	1	(ILLUST. NO.2)			
17-265B		RING, SYNCHRONIZER			
R503-17-265B	1				
17-271		GEAR, 1ST			
R513-17-270A	1				
17-274		BEARING, NEEDLE			
0884-17-274	4				
17-275		RACE, INNER			
3648-17-275A	1				
5301 FD333 -400027					
5A01 FD333 -400330					

AUFA06

CAT. AUFA06-04

1997-01

1710 MANUAL TRANSMISSION GEARS



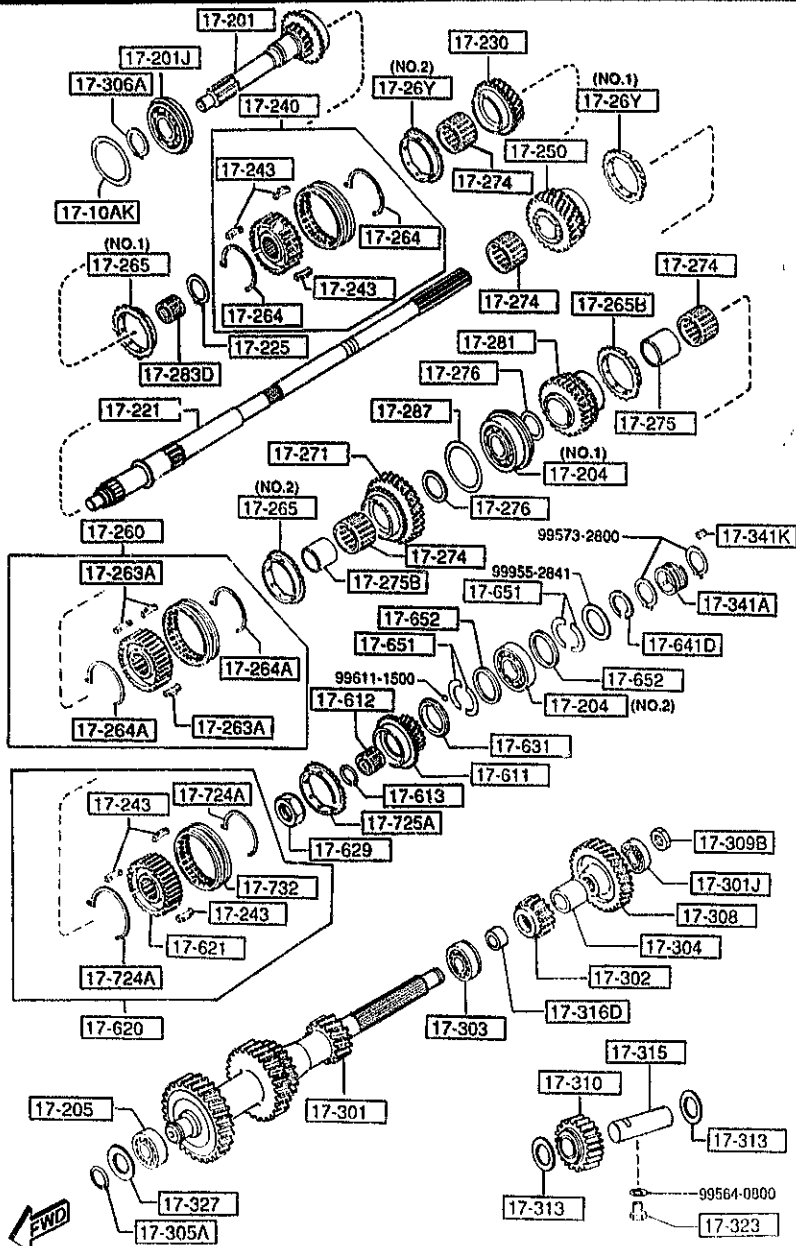
PART NO.	QTY	MODEL/RESTRICTION	MODEL/RESTRICTION	MODEL/RESTRICTION	FROM-TO
17-275B		RACE, INNER			
0884-17-275B	1				
17-276		WASHER, THRUST			
0839-17-276	1	T=2.5MM			
0839-17-277	2	T=3.0MM			
0839-17-278	1	T=3.5MM			
17-281		GEAR, REVERSE			
R505-17-281	1				-5701
R520-17-281	1				5701-
17-283D		BEARING, NEEDLE			
R502-17-283	1				
17-287		SHIM, ADJUST			
0839-17-287	2	T=0.1MM			
0839-17-288	1	T=0.3MM			
17-301		GEAR, COUNTER SHAFT			
R525-17-301	1				
17-301J		BEARING, BALL			
R501-17-299	1				-4A01
A (R521-17-299)	1				4A01-
R521-17-299	1				
17-302		GEAR, COUNTER REVERSE			
R504-17-302A	1				-5701
A (R501-17-302)	1				5701-
R501-17-302	1				
17-303		BEARING, BALL			
0821-17-303	1				
17-304		SPACER			
R501-17-304	1				
4A01 FD333 -400014 5701 FD333 -400230					

AUFA06

CAT. AUFA06-04

1997-01

1710 MANUAL TRANSMISSION GEARS



1710 -4 MANUAL TRANSMISSION GEARS

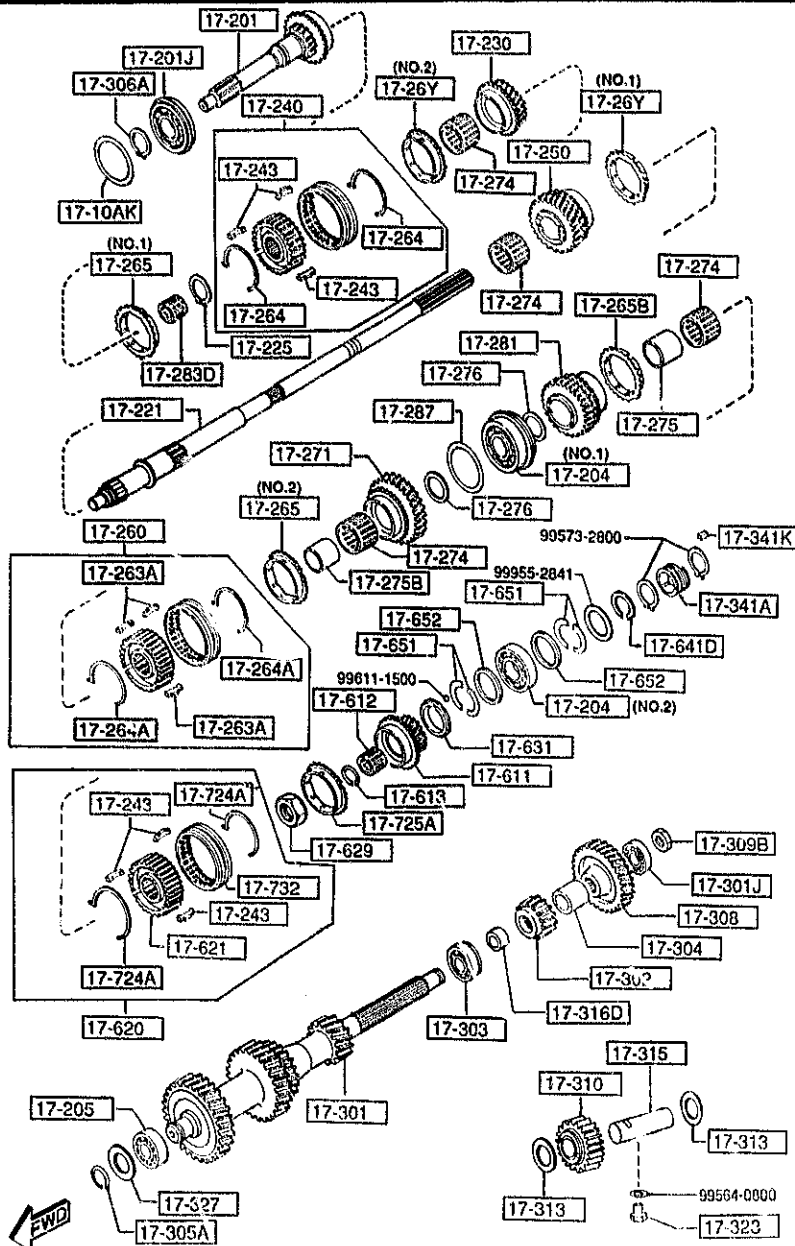
PART NO.	QTY	MODEL/RESTRICTION	MODEL/RESTRICTION	MODEL/RESTRICTION	FROM-TO
17-305A	1	RING, RETAINING-BALL BEARING			
0839-17-305B					
17-306A	1	RING, SNAP			
0727-17-306					
17-308	1	GEAR, COUNTER			
R524-17-308					
17-309B	1	NUT, LOCK-COUNTER SHAFT BR			
M501-17-309					
17-310	1	GEAR, REVERSE IDLE			-5701
R505-17-310B					
A (R522-17-310)					
R522-17-310					5701-
17-313	2	WASHER, THRUST-REVERSE IDLE G.			
0821-17-313					
17-315	1	SHAFT, REV. IDLE GEAR			
0884-17-315					
17-316D	1	SPACER			
R502-17-316					
17-323	1	BOLT SET			
4069-17-323					
17-327	2	SHIM, ADJUST-COUNTER SHAFT GEAR T=0.1MM			
0305-17-327					
0305-17-328	1	T=0.3MM			
17-341A	1	GEAR, SPEEDO. DRIVE			
R502-17-341A					
17-341K	1	KEY			
M501-17-342					
5701 FD333 -400230					

AUFA06

CAT. AUFA06-04

1997-01

1710 MANUAL TRANSMISSION GEARS



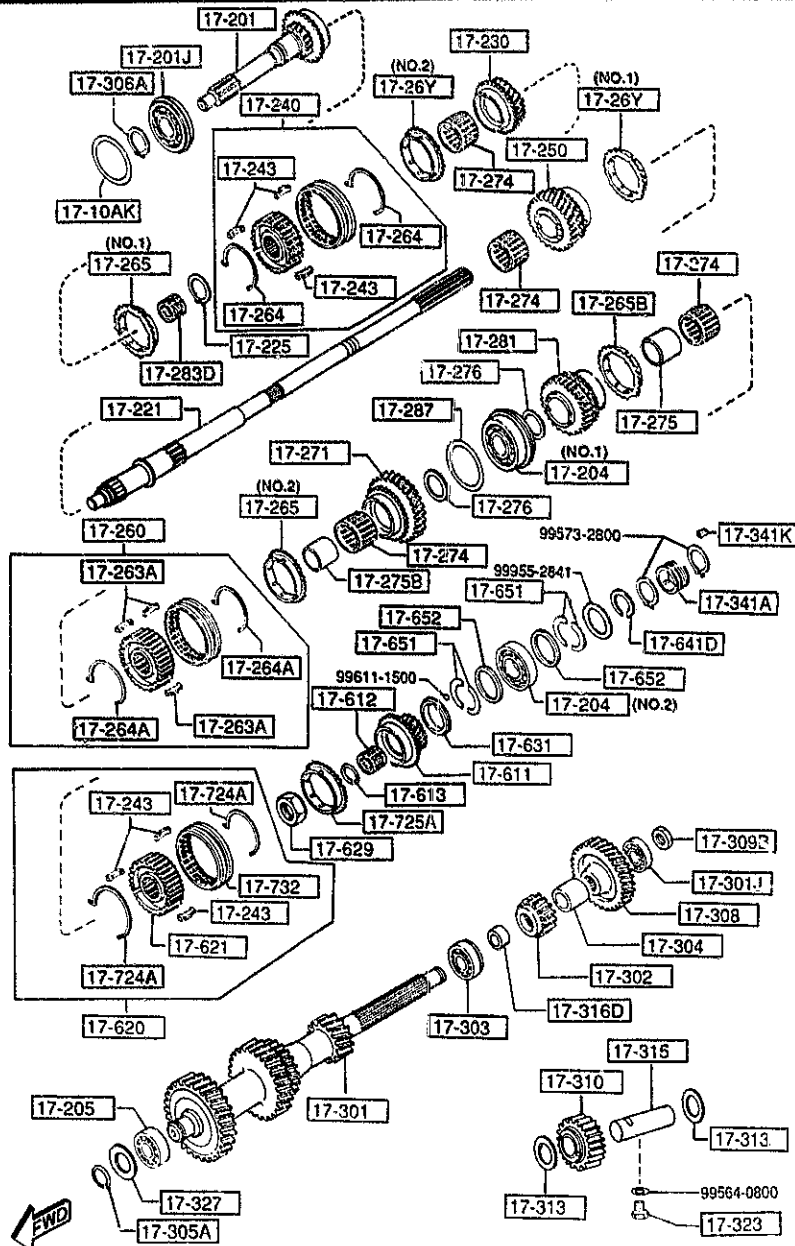
PART NO.	QTY	MODEL/RESTRICTION	MODEL/RESTRICTION	MODEL/RESTRICTION	FROM-TO
17-611		GEAR, OVER TOP			
R523-17-610	1				
17-612		BEARING, NEEDLE			
R501-17-612	1				
17-613		RING, RETAINING			
R501-17-613	1				
17-620		HUB SET, CLUTCH-D.T. & REV			
R504-17-620	1				
17-621		HUB, CLUTCH			
R502-17-621A	1				
17-629		NUT, LOCK-CLUTCH HUB			
3648-17-629	1				
17-631		WASHER, THRUST LOCK-OVER TOP G. T=6.4MM			
R501-17-631A	1				
R501-17-632A	1	T=6.5MM			
R501-17-633A	1	T=6.6MM			
R501-17-634A	1	T=6.7MM			
R501-17-635	1	T=6.3MM			
R501-17-636	1	T=6.2MM			
17-641D		RING, SNAP			
0821-17-641B	1				
17-651		WASHER, THRUST			
M502-17-651	4	T=3.0MM			
M502-17-653	2	T=3.1MM			
M502-17-654	2	T=3.2MM			
M502-17-655		T=2.9MM			

AUFA08

CAT. AUFA06-04

1997-01

1710 MANUAL TRANSMISSION GEARS



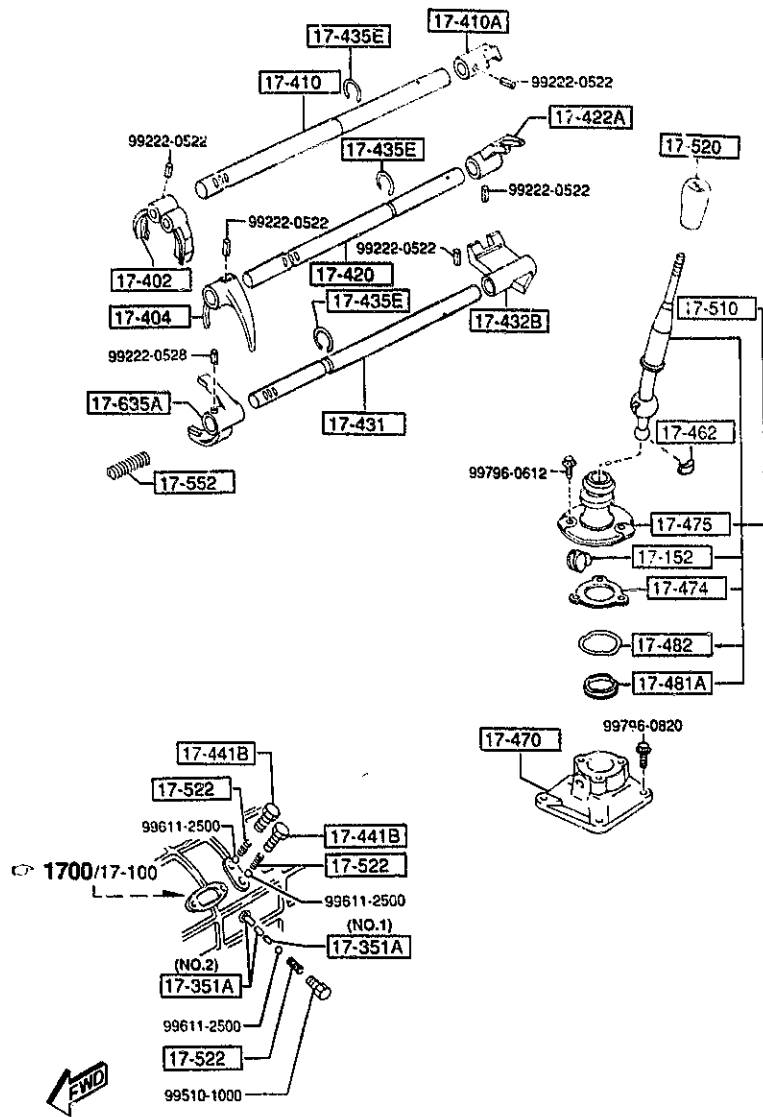
PART NO.	QTY	MODEL/RESTRICTION	MODEL/RESTRICTION	MODEL/RESTRICTION	FROM-TG
CONT'D	2				
17-652	2	RING, THRUST WASHER			
M502-17-652	2				
17-724A	2	SPRING, SYNCHRO. KEY			
M501-17-724	2				
17-725A	1	RING, SYNCHRONIZER			
M501-17-725B	1				
17-732	1	SLEEVE, CLUTCH HUB			
R501-17-732	1				

AUFA06

CAT. AUFA06-04

1997-01

1720 MANUAL TRANSMISSION CHANGE CONTROL SYSTEM

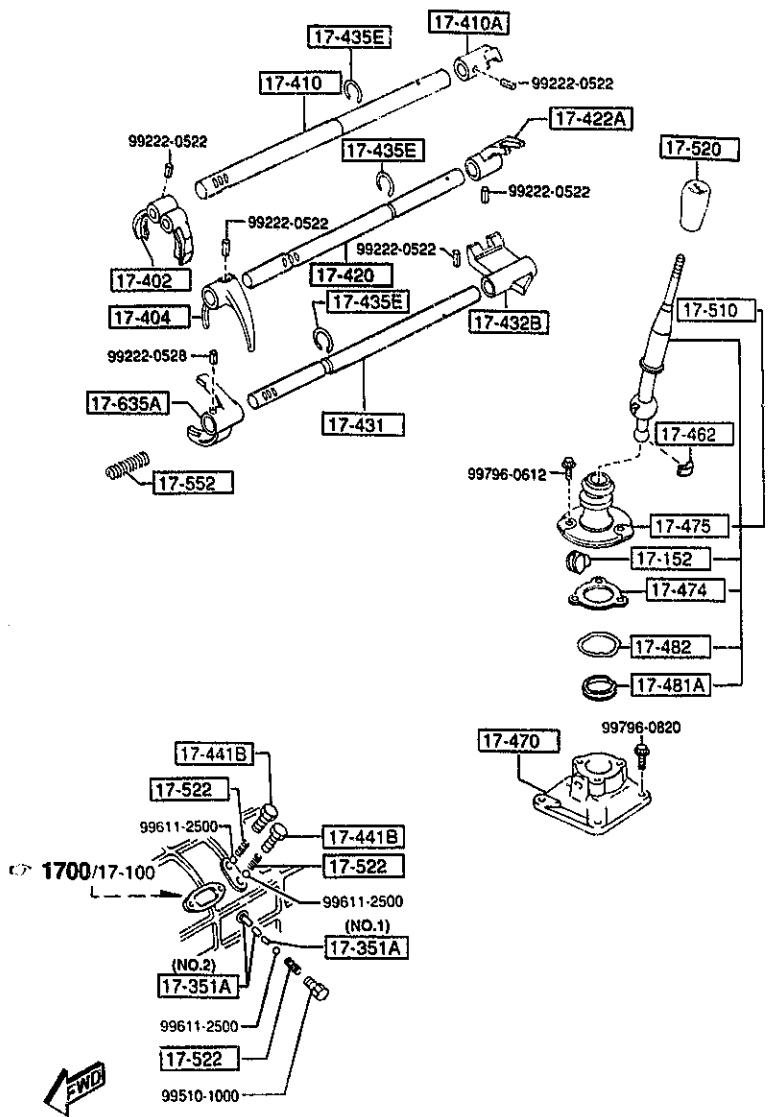


PART NO.	QTY	MODEL/RESTRICTION	MODEL/RESTRICTION	MODEL/RESTRICTION	FROM-TO
17-152		BUSH			
M501-17-515	2				
17-351A		PIN, INTER LOCK			
R501-17-351	1	(ILLUST. NO.1)			
0114-17-351	2	(ILLUST. NO.2)			
17-402		FORK, SHIFT (1ST & 2ND)			
R522-17-402	1				
17-404		FORK, SHIFT (3RD & 4TH)			
R501-17-404B	1				
17-410		ROD, SHIFT (1ST&2ND)			
R522-17-411	1				
17-410A		END, S/ROD (1ST&2ND)			
R502-17-412A	1				
17-420		ROD, SHIFT (3RD&4TH)			
R522-17-421	1				
A (R522-17-421A)					
R522-17-421A	1				
17-422A		END, S/ROD (3RD&4TH)			
R506-17-422	1				
17-431		ROD, SHIFT-OVER TOP & REVERSE			
R512-17-431B	1				
17-432B		END, SHIFT ROD (O/TOP& REV.)			
R513-17-432	1				
17-435E		RING, RETAINING			
R502-17-435	3				
17-441B		PLUG, CAP			
0221-17-441A	2				
17-462		SHEET, SPRING			
0398-17-462A	1				
5201 FD333 -400026					

-5201
5201-

1720 MANUAL TRANSMISSION CHANGE CONTROL SYSTEM

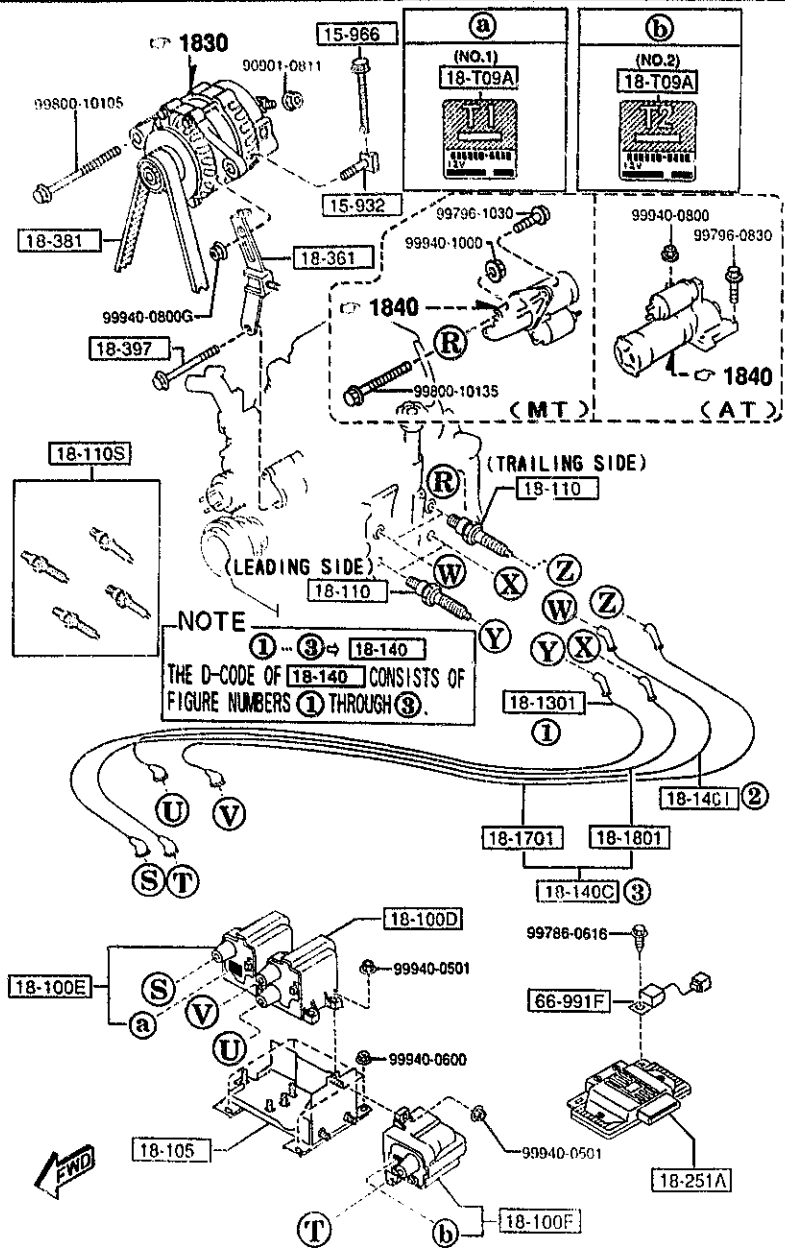
1720 -2 * MANUAL TRANSMISSION CHANGE CONTROL SYSTEM



PART NO.	QTY	MODEL/RESTRICTION	MODEL/RESTRICTION	MODEL/RESTRICTION	FROM-TO
17-470		CASE, CHANGE CONTROL			
R504-17-470A	1				
17-474		GASKET, COVER PLATE			
0303-17-474	1				
17-475		BOOT, DUST-CHANGE LEVER			
M513-17-480A	1				
17-481A		BUSH, CHANGE			
R503-17-481	1				
17-482		WASHER, WAVE-CHANGE CONT. CASE			
M505-17-482	1				
17-510		LEVER, CHANGE			
R507-17-510A	1				
17-520		KNOB, CHANGE LEVER			
R503-17-520B	1				
00	INT-	FE5 FE6 FE7 BLACK			
17-522		SPRING			
0103-17-411	3	5TH & REVERSE			
17-552		SPRING			
R501-17-552	1				
17-635A		FORK, SHIFT-5TH & REVERSE			
R505-17-406	1				-4C01
R504-17-406A	1				4C01-
4C01 FD533 -400022					

1800 ENGINE ELECTRICAL SYSTEM

1800 -1 ENGINE ELECTRICAL SYSTEM



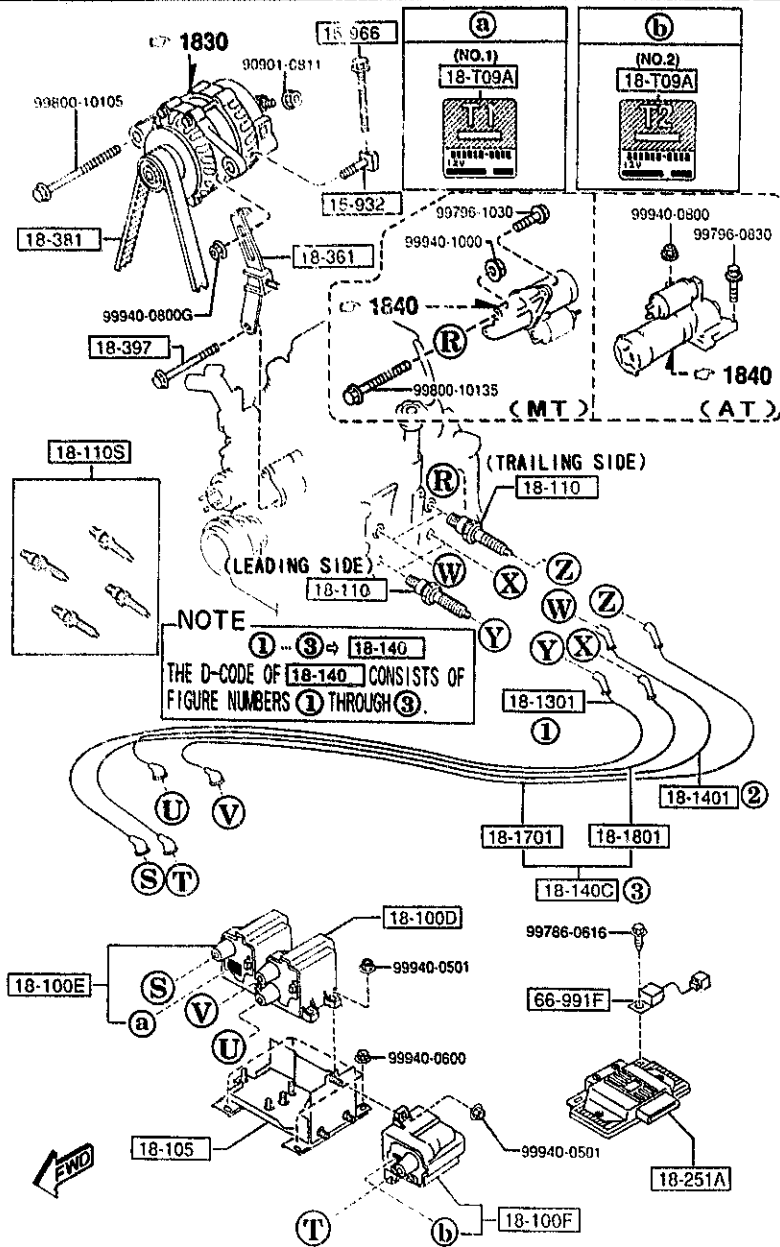
PART NO.	QTY	MODEL/RESTRICTION	MODEL/RESTRICTION	MODEL/RESTRICTION	FROM-TO
15-932		SHAFT, PULLEY			
NF01-15-932	1				
15-966		BOLT, ADJUST			
N390-15-966	1				
18-T09A		LABEL, IG. COIL			
N3A1-18-T09	1 (ILLUST. NO.1)				
N3A2-18-T09	1 (ILLUST. NO.2)				
18-100D		COIL, IGNITION-LEADING			
N3A3-18-100	1				
18-100E		COIL, IGNITION-TRAILING			
N3A1-18-100	1				
18-100F		COIL, IGNITION-TRAILING			
N3A2-18-100	1				
18-105		BRACKET, DIST. MODULE			
N3A2-18-105A	1				
18-110		PLUG, SPARK			
N3A1-18-110	2	BUR9EQP NGK (TRAILING SIDE) (STD.)			
N3A2-18-110	2	BUR7EQP NGK (LEADING SIDE) (STD.)			
N3A3-18-110	2	BUR8EQP NGK (TRAILING SIDE) (OPTION HOT TYPE)			
N3A4-18-110	2	BUR6EQP NGK (LEADING SIDE) (OPTION HOT TYPE)			
N328-18-110	2	BUR8EQP NGK (TRAILING SIDE) (OPTION HOT TYPE)			
N329-18-110	2	BUR6EQP NGK (LEADING SIDE) (OPTION HOT TYPE)			
N342-18-110	2	BUR9EQP NGK (TRAILING SIDE) (STD.)			

AUFA06

CAT. AUFAD6-04

1997-01

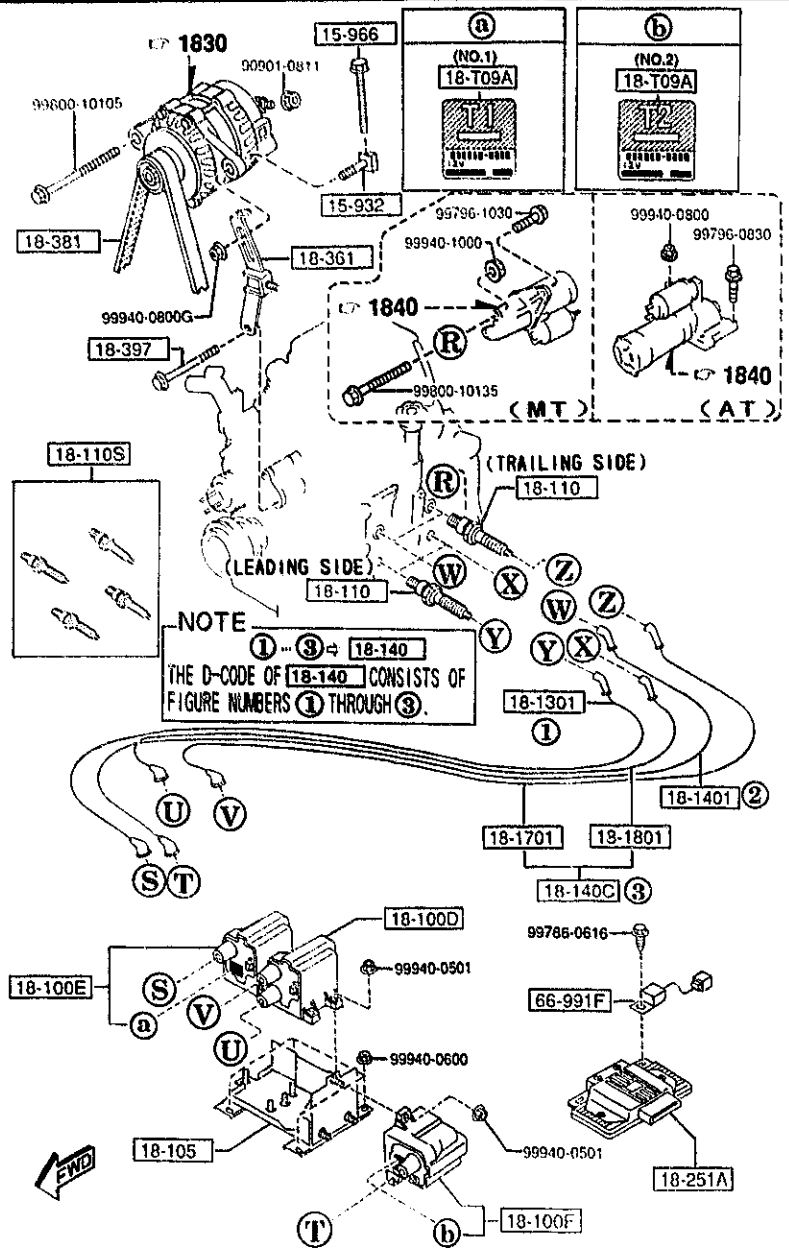
1800 ENGINE ELECTRICAL SYSTEM



1800 -2 ENGINE ELECTRICAL SYSTEM

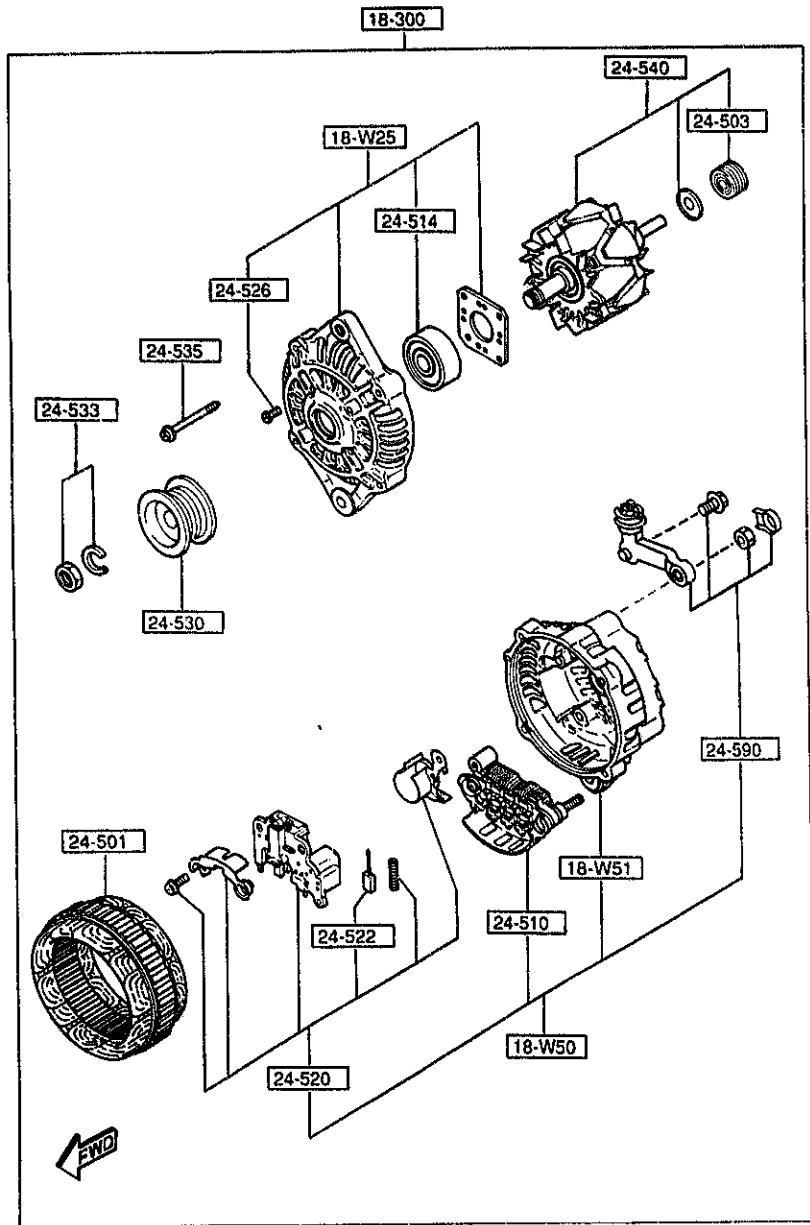
PART NO.	QTY	MODEL/RESTRICTION	MODEL/RESTRICTION	MODEL/RESTRICTION	FROM-TO
CONT'D N343-18-110					
	2	BUR7EQ NGK (LEADING SIDE) (STD.)			
18-110S		PLUG SET, SPARK			
N3X4-18-110	1	BUR9EQ/BUR7EQ NGK (STD.)			
N3X5-18-110	1	BUR9EQ/BUR7EQP NGK (STD.)			
18-1301		CORD, HIGH TENSION (T -1)			
N3A1-18-180A	1				
18-140		CORD SET, HI. TENSION			
8BF1-18-140A	1				
18-140C		CORD, HIGH TENSION			
N3A1-18-140	1				
18-1401		CORD, HIGH TENSION (T -2)			
N3A1-18-190A	1				
18-1701		CORD, HIGH TENSION (L -1)			
N3A1-18-T53	1				
18-1801		CORD, HIGH TENSION (L -2)			
N3A1-18-T54	1				
18-251A		IGNITER, IG. COIL-TRAL ING			
N3A1-18-251	1				
18-361		STRAP, ALTERNATOR			
N3A1-18-360B	1				
18-381		BELT 'V'			
N3A1-18-381	1	SPK-1355 (MT)			
N3A2-18-381	1	SPK-1310 (AT)			
18-397		BOLT, FLANGE			
N3A1-18-397	1				

1800 ENGINE ELECTRICAL SYSTEM



PART NO.	QTY	MODEL/RESTRICTION	MODEL/RESTRICTION	MODEL/RESTRICTION	FROM-TO
66-991F NSA1-66-991	1	CONDENSER			

1830 ALTERNATOR



PART NO.	QTY	MODEL/RESTRICTION	MODEL/RESTRICTION	MODEL/RESTRICTION	FROM-TO
18-W25		COVER, FRONT-ALTERNATOR			
N3A1-18-W25	1				
18-W50		COVER, REAR-ALTERNATOR			
N3A1-18-W50	1				
18-W51		COVER, REAR-ALTERNATOR			
N3A1-18-W51	1				
18-300		ALTERNATOR			
N3A1-18-300A	1				
24-501		STATOR			
N3A1-18-W45	1				
24-503		BEARING, BALL-ALT. REAR			
N336-18-W36	1				
24-510		RECTIFIER			
N3A1-18-W60	1				
24-514		BEARING, BALL-ALT. FRONT			
PN16-18-W27	1				
24-520		REGULATOR, VOLTAGE			
JE48-18-W70	1				
24-522		BRUSH			
B3C7-18-W77	2				
24-526		SCREW SET			
RF71-18-W26	1				
24-530		PULLEY			
N590-18-W11	1				
24-533		NUT SET			
B3C7-18-W05	1				
24-535		SCREW SET			
RF71-18-W20	1				

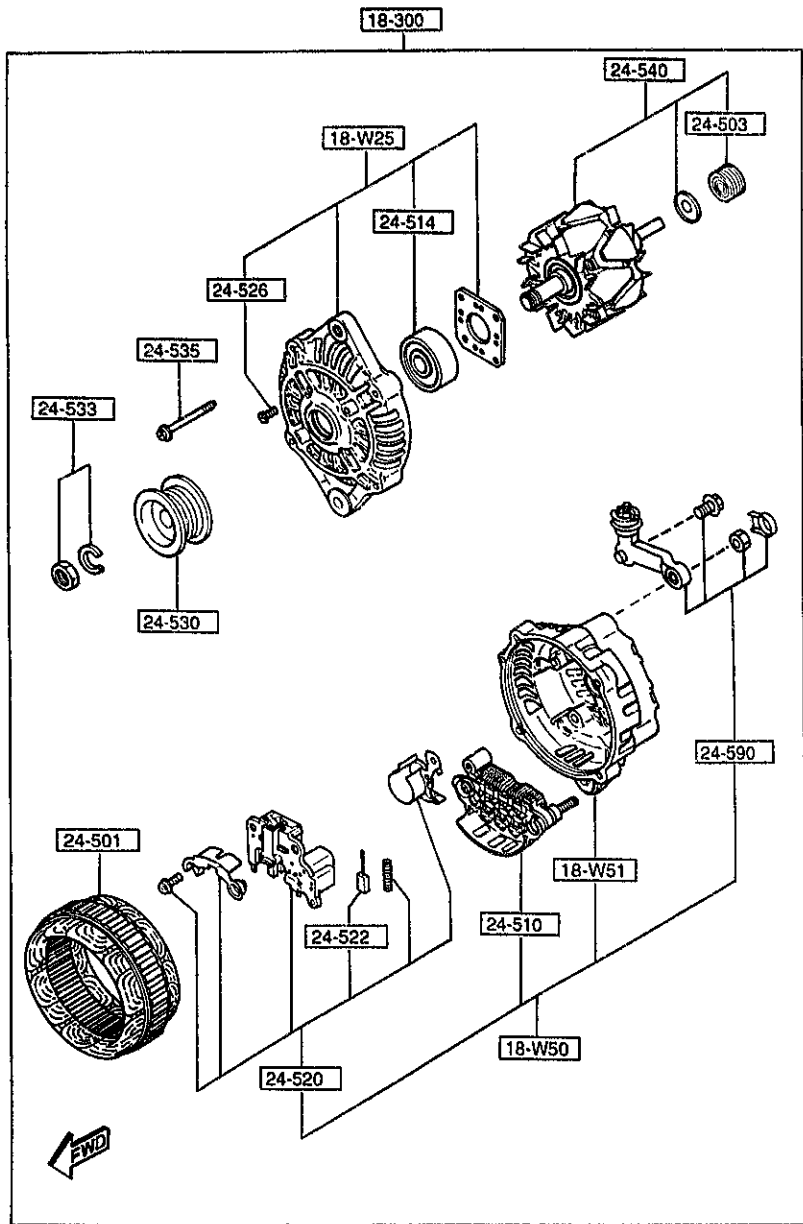
AUFA06

CAT. AUFA06-04

1997-01

1830 -2 * ALTERNATOR

1830 ALTERNATOR

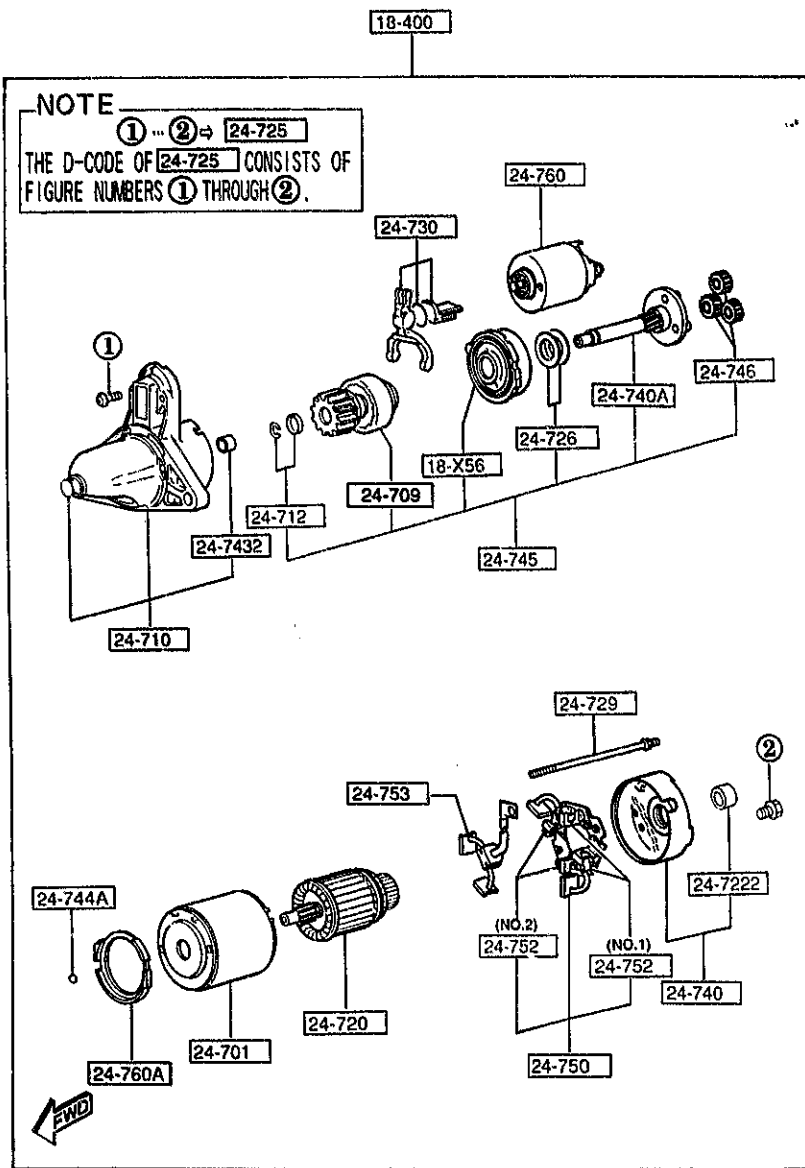


PART NO.	QTY	MODEL/RESTRICTION	MODEL/RESTRICTION	MODEL/RESTRICTION	FROM-TO
24-540		ROTOR			
NSA1-18-W35 AN(NSA1-18-W35A)	1				-4A01
NSA1-18-W35A	1				4A01-
24-590		TERMINAL SET			
NSA1-18-W80	1				
4A01 FD333 -400014					

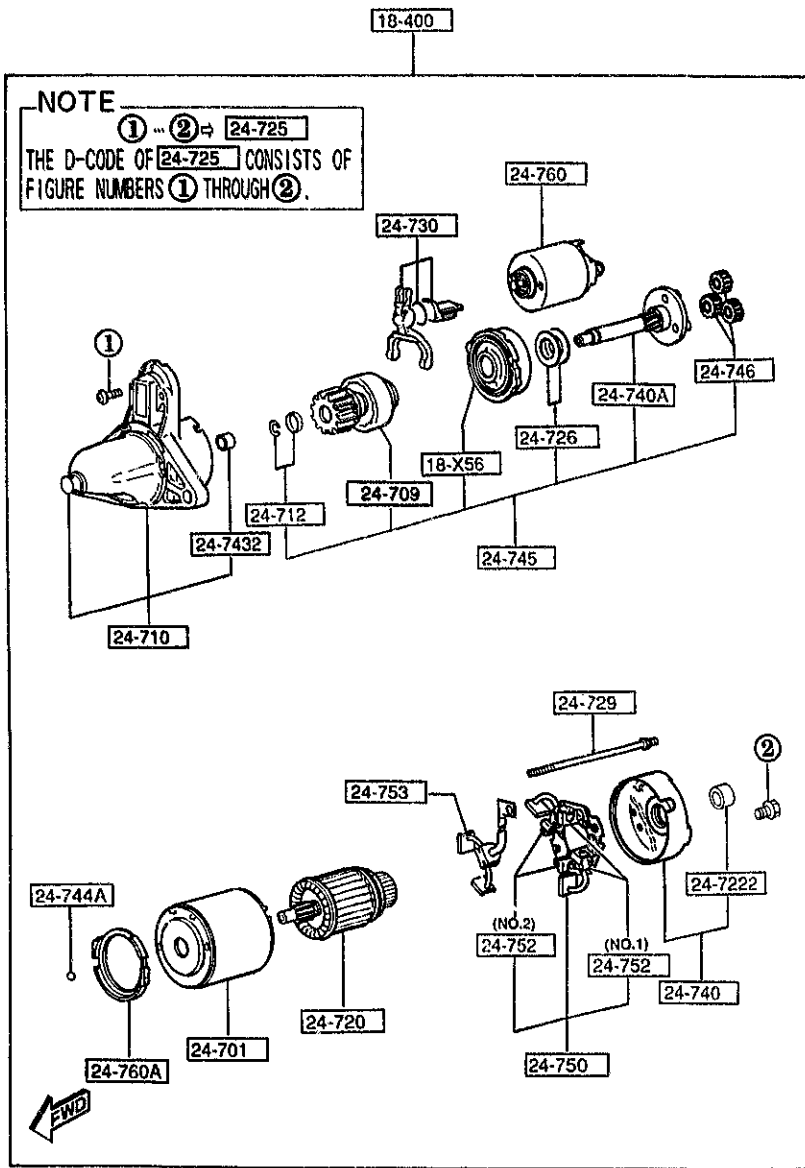
AUFA06

CAT. AUFA06-04

1997-01



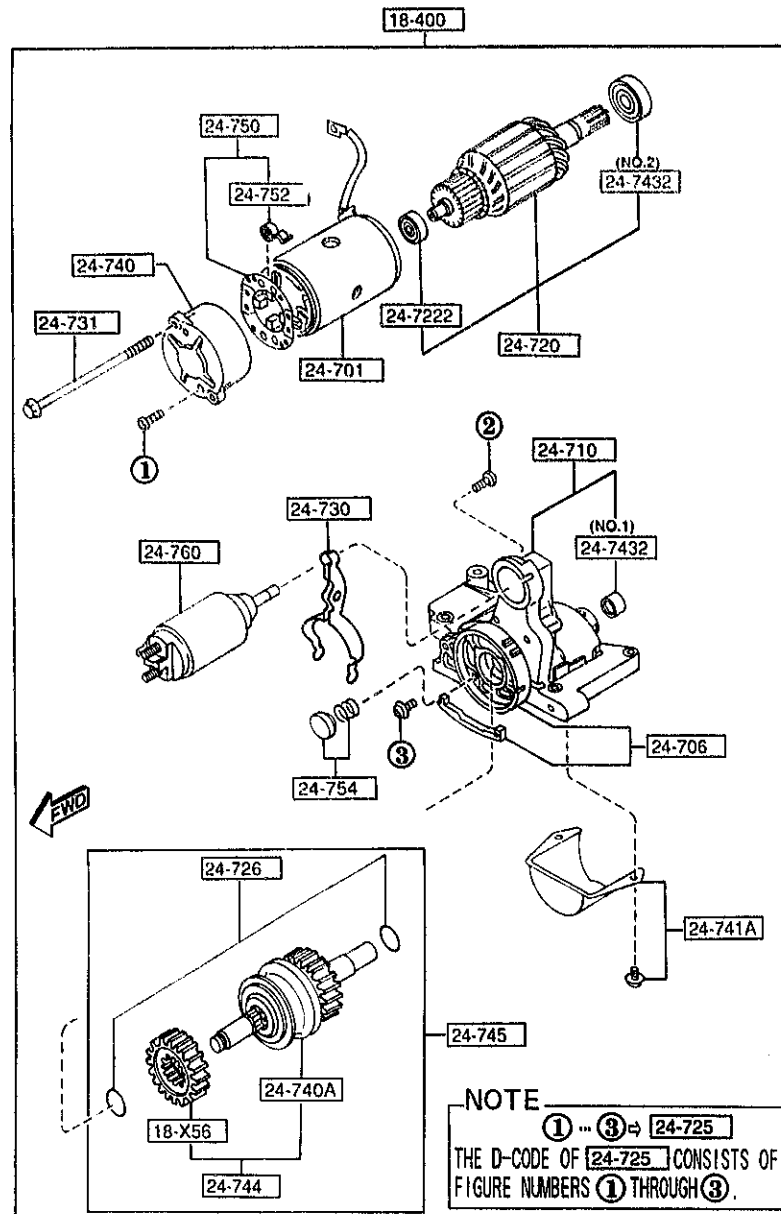
PART NO.	QTY	MODEL/RESTRICTION	MODEL/RESTRICTION	MODEL/RESTRICTION	FROM-TO
18-X56		GEAR, INTERNAL-STARTE			
F225-18-X56	1				
18-400		STARTER			
N3A1-18-400	1				
24-701		YOKE			
N326-18-X65	1				
24-709		PINION			
N318-18-X25	1				
24-710		BRACKET, FRONT			
N3A1-18-X00	1				
24-712		STOPPER SET			
N326-18-X30	1				
24-720		ARMATURE			
F214-18-X60A	1	NON ASBESTOS			
24-722		SLEEVE, BEARING-REAR			
N326-18-X62A	1				
24-725		SCREW SET			
E356-18-X95	1				
24-726		WASHER SET			
N326-18-X92	1				
24-729		BOLT			
N326-18-X91	2				
24-730		LEVER			
N326-18-X05	1				
24-740		BRACKET, REAR			
N315-18-X80	1				
24-740A		SHAFT			



PART NO.	QTY	MODEL/RESTRICTION	MODEL/RESTRICTION	MODEL/RESTRICTION	FROM-TO
CONT'D					
N326-18-X40	1				
24-7432		SLEEVE, BEARING-FRONT			
E356-18-X01	1				
24-744A		BALL, STEEL			
N326-18-X93	1				
24-745		SHAFT, CLUTCH			
N327-18-X20	1				
24-746		GEAR			
N326-18-X57	3				
24-750		HOLDER, BRUSH			
F214-18-X70	1				
24-752		SPRING, BRUSH			
N318-18-X71	2 (ILLUST. NO. 1)				
N326-18-X71	2 (ILLUST. NO. 2)				
24-753		BRUSH, YOKE			
F214-18-X66	1				
24-760		SWITCH			
N315-18-X10	1				
24-760A		GASKET			
N326-18-X87	1				

1840 A STARTER
(AT)

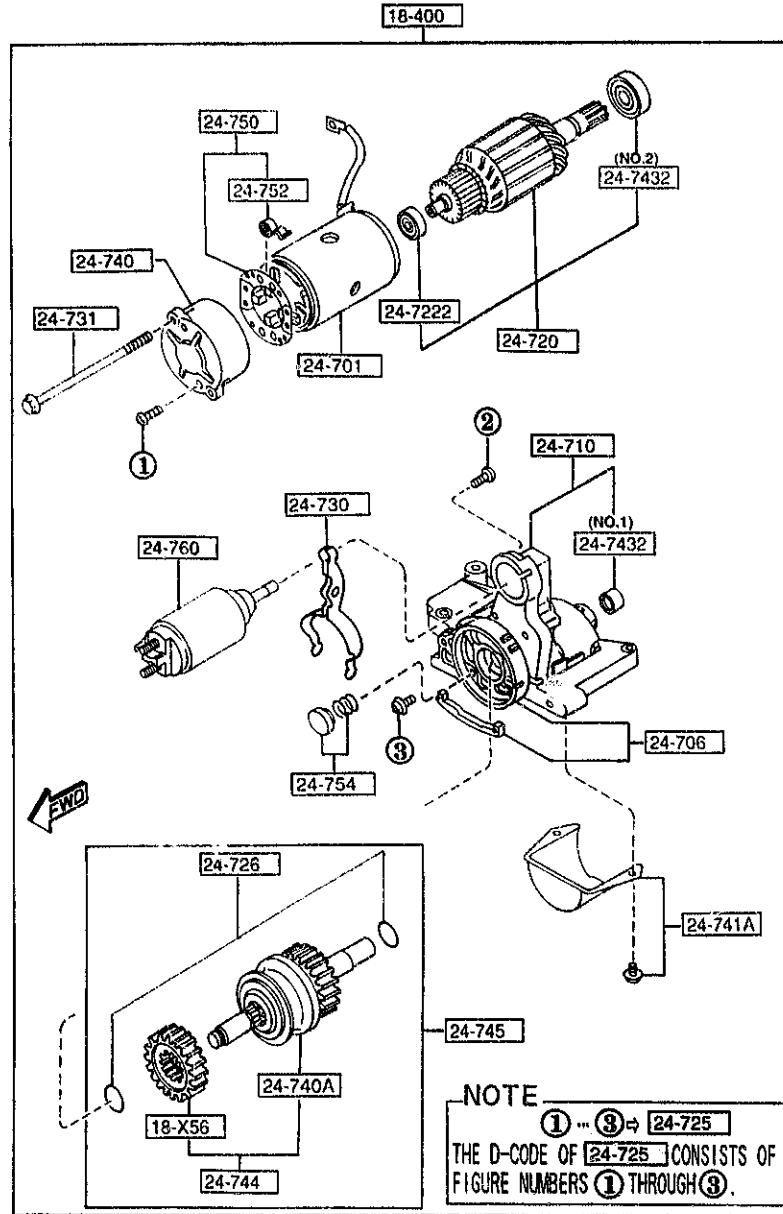
1840 A-1 STARTER
(AT)



PART NO.	QTY	MODEL/RESTRICTION	MODEL/RESTRICTION	MODEL/RESTRICTION	FROM-TO
18-X56		GEAR, INTERNAL-STARTER			
NF01-18-X56	1				
18-400		STARTER			
NF01-18-400B	1				
24-701		YOKE			
NF01-18-X65	1				
24-706		BRACKET, CENTER			
NF01-18-X75	1				
24-710		BRACKET, FRONT			
NF01-18-X00A	1				
24-720		ARMATURE			
NF01-18-X60A	1				
24-722		SLEEVE, BEARING-REAR			
8599-24-722	1				
24-725		SCREW SET			
NF01-18-X95	1				
24-726		WASHER SET			
NF01-18-X92	1				
24-730		LEVER			
NF01-18-X05	1				
24-731		BOLT SET			
NF01-18-X90	1				
24-740		BRACKET, REAR			
8599-24-720	1				
24-740A		SHAFT			
NF01-18-X40	1				
24-741A		COVER SET			
NF01-18-X50	1				

1840 A STARTER
(AT)

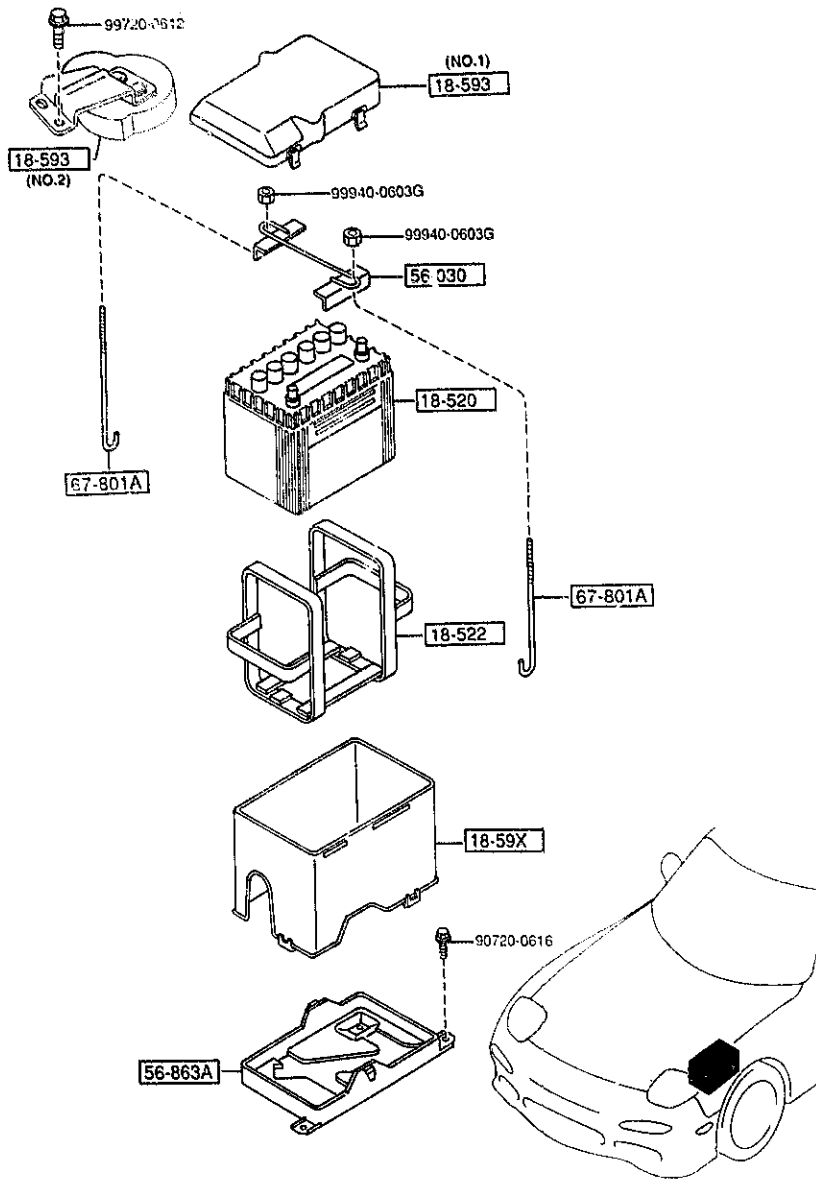
1840 A-2 * STARTER
(AT)



PART NO.	QTY	MODEL/RESTRICTION	MODEL/RESTRICTION	MODEL/RESTRICTION	FROM-TO
24-7432		SLEEVE, BEARING-FRONT			
F210-18-X01	1	(ILLUST. NO.1)			
B599-24-743	1	(ILLUST. NO.2)			
24-744		GEAR SET			
NF01-18-X35	1				
24-745		SHAFT, CLUTCH			
NF01-18-X20	1				
24-750		HOLDER, BRUSH			
NF01-18-X70	1				
24-752		SPRING, BRUSH			
B599-24-752	4				
24-754		SPRING SET			
G601-18-X06	1				
24-760		SWITCH			
NF01-18-X10	1				

1850 -1 * BATTERY

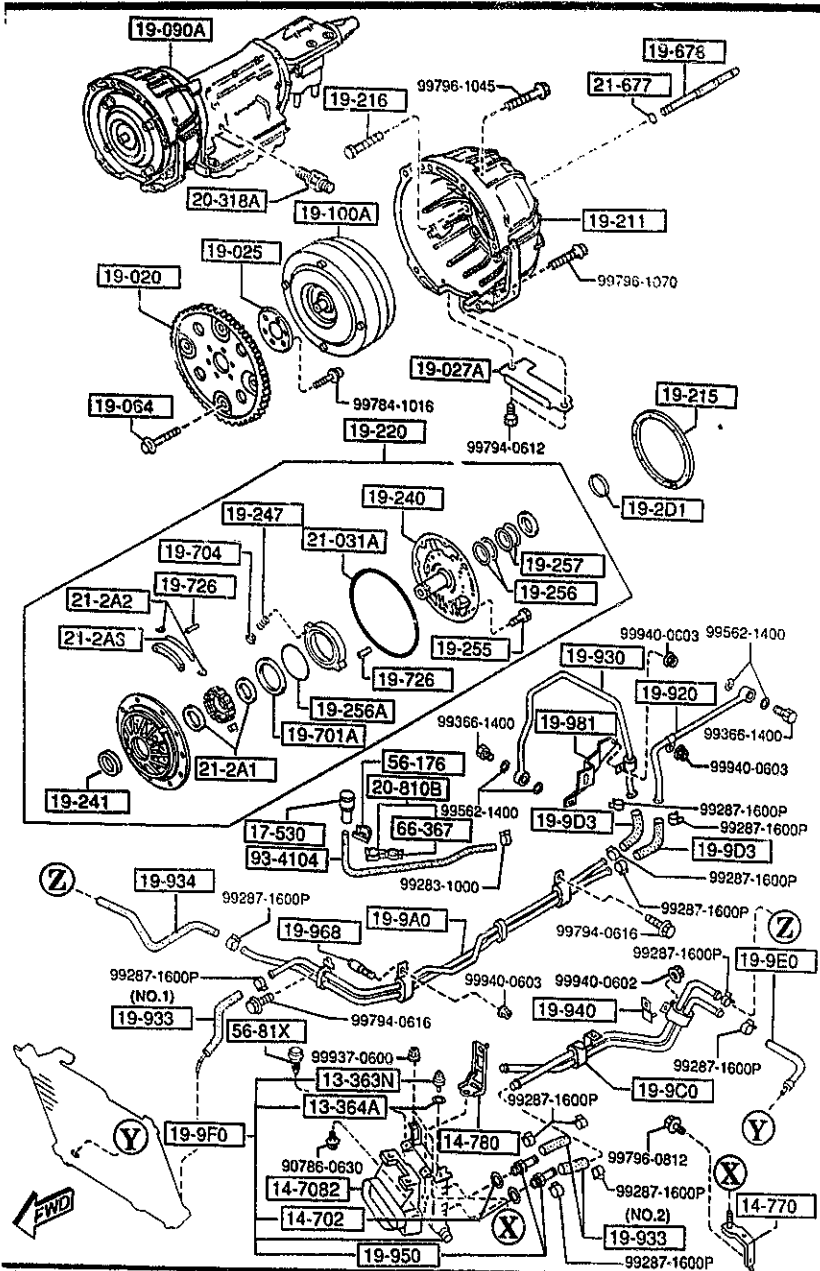
1850 BATTERY



PART NO.	QTY	MODEL/RESTRICTION	MODEL/RESTRICTION	MODEL/RESTRICTION	FROM-TO
18-520		BATTERY			
AM15-18-520A	1	75D26L GS (AT)			
N251-18-520B	1	65D23L GS (MT)			
N252-18-520E	1	65D23L PANASONIC (MT)			
AM43-18-520	1	75D26L PANASONIC (AT)			5101-
18-522		BAND, BATTERY			
FE50-18-522	1				
18-59X		BOX, BATTERY			
N3A1-18-591F	1				
18-593		COVER, BOX-BATTERY			
N3A1-18-593B	1	MIYAGAWA KASEI (ILLUST. NO.1)			
N3A2-18-593A	1	SHINKOBE DENKI (ILLUST. NO.2) (W/O AIR CON.)			
56-030		CLAMP, BATTERY			
H384-56-03XA	1				
56-863A		TRAY, BATTERY			
FD01-56-981A	1				
67-801A		BOLT, CLAMP			
0243-56-231	2				
5101 FD333 -400025					

1970

AUTOMATIC TRANSMISSION TORQUE CONVERTER, OIL PUMP & PIPINGS



AUFA06

1910 -1

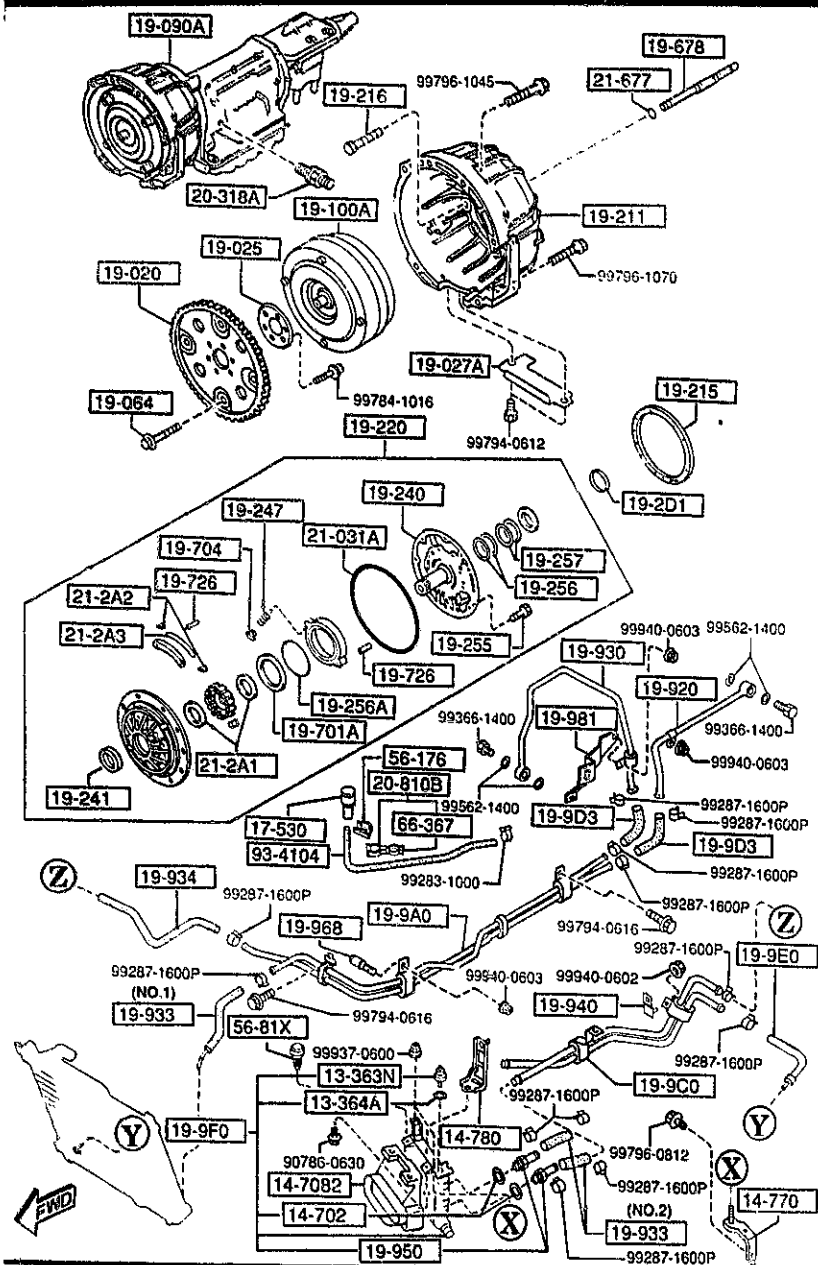
AUTOMATIC TRANSMISSION TORQUE CONVERTER, OIL PUMP & PIPINGS

PART NO.	QTY	MODEL/RESTRICTION	MODEL/RESTRICTION	MODEL/RESTRICTION	FROM-TO
13-363N		RUBBER, MOUNTING			
NF01-13-363	3				
13-364A		SPACER			
NF01-13-364	3				
14-702		GASKET			
N3A1-14-702	2				
14-7082		DUCT, OIL COOLER			
N3A2-14-708	1				
14-770		BRACKET, OIL COOLER			
N3A2-14-770B	1				
14-780		BRACKET, OIL COOLER			
N3A2-14-780B	1				
17-530		BREATHER, AIR-T/MISSION			
0884-17-530	1				
19-020		PLATE, DRIVE			
BV40-19-020	1				
19-025		PLATE, BACKING			
0842-19-025	1				
19-027A		COVER, UNDER			
BV65-19-027	1				
19-064		BOLT			
3649-19-064A	4				
19-090A		T/MISSION CPT.			
BV65-19-090H	1				-5C20
A (BV65-19-090J)					
*BV65-19-090J	1				5C20-
19-100A		CONVERTER, TORQUE			
BV65-19-100	1				
5C20 FD333 -400495					

CAT. AUFA86-04

1997-01

1910 AUTOMATIC TRANSMISSION TORQUE CONVERTER, OIL PUMP & PIPINGS



AUFA06

1910 -2 AUTOMATIC TRANSMISSION TORQUE CONVERTER, OIL PUMP & PIPINGS

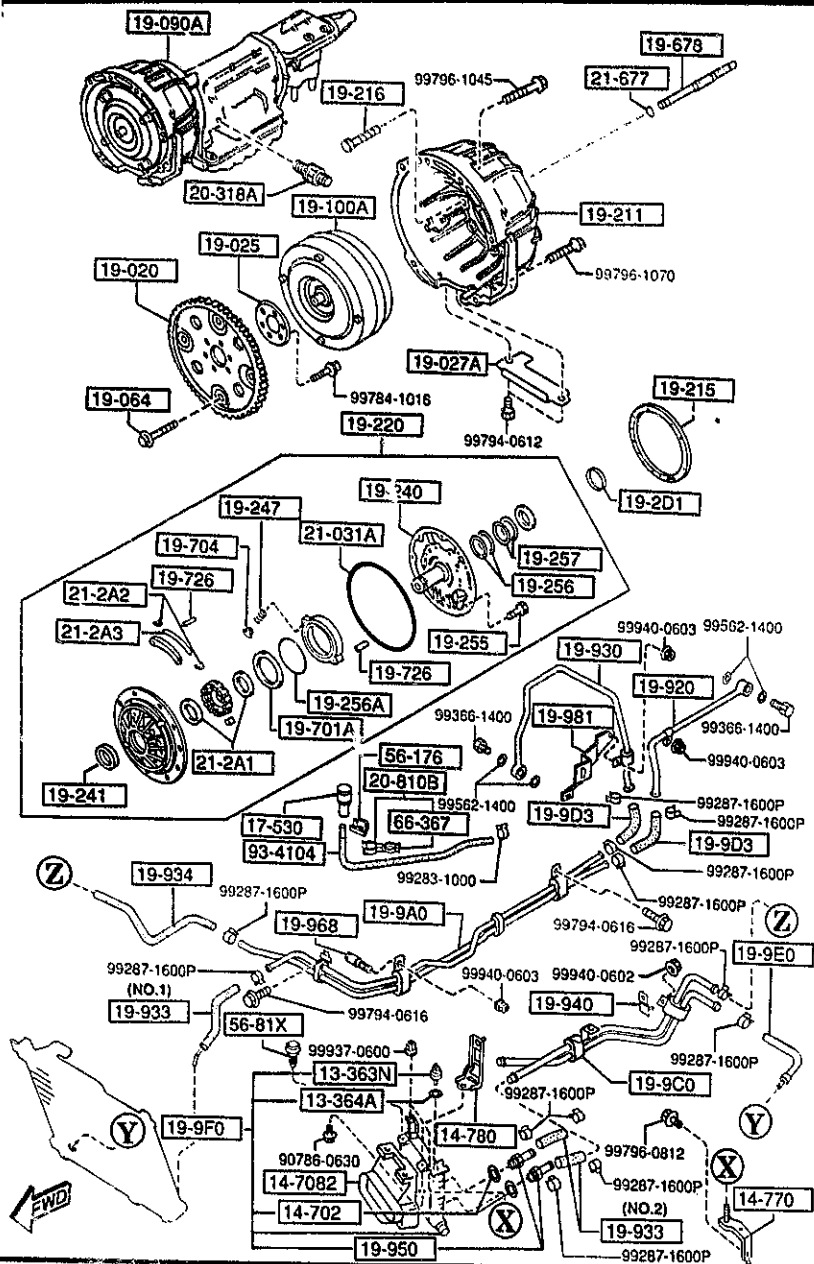
PART NO.	QTY	MODEL/RESTRICTION	MODEL/RESTRICTION	MODEL/RESTRICTION	FROM-TO
19-2D1		WASHER, THRUST			
BV11-19-2D2	1	T=0.9MM			
BV11-19-2D3	1	T=1.1MM			
BV11-19-2D4	1	T=1.3MM			
BV11-19-2D5	1	T=1.5MM			
BV11-19-2D6	1	T=1.7MM			
BV11-19-2D7	1	T=1.9MM			
BV11-19-2D1	1	T=0.7MM			5801
19-211		HOUSING, CONVERTER			
BV65-19-210	1				
19-215		GASKET, OIL PUMP			
BV60-19-221	1				
19-216		BOLT			
BT40-19-216	10				
19-220		PUMP, OIL			
BV56-19-220	1				
19-240		COVER, OIL PUMP			
BV56-19-240	1				
19-241		SEAL, OIL			
BV35-19-241	1				
19-247		SPRING			
BV11-19-247	1				
19-255		BOLT			
BV11-19-255	8				
19-256		RING, SEAL			
BV11-19-256	2				
5801 FD333 -400230					

CAT. AUFA06-04

1997-01

1910 AUTOMATIC TRANSMISSION TORQUE CONVERTER, OIL PUMP & PIPINGS

1910 -3 AUTOMATIC TRANSMISSION TORQUE CONVERTER, OIL PUMP & PIPINGS



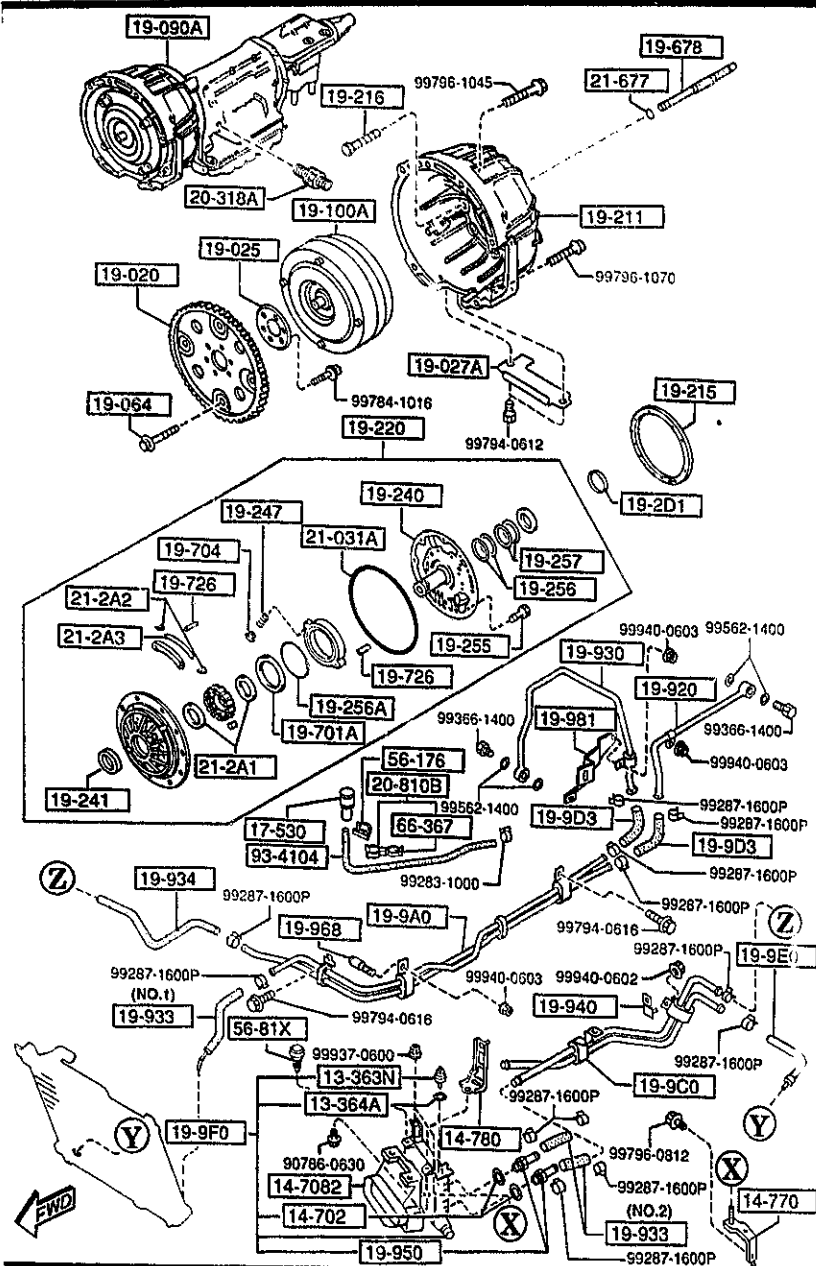
PART NO.	QTY	MODEL/RESTRICTION	MODEL/RESTRICTION	MODEL/RESTRICTION	FROM-TO
19-256A		RING,SEAL			-5901
BV11-19-242	1				5901-
BV37-19-242	1				
19-257		RING,SEAL			
BV11-19-257	2				
19-678		SHAFT,INPUT			
BV65-21-678	1				
19-701A		SEAL,RING			
BV11-19-701	1				
19-704		RETAINER			
BV11-19-704	1				
19-726		PIVOT,ROLLER			
BV11-19-726	2				
19-9A0		PIPE,OIL-DILPUMP			
BV65-19-9A0	1				
19-9C0		PIPE,OIL			
BV65-19-9C0	1				
19-9D3		HOSE,OIL			
FU31-19-9D3A	2				
19-9E0		HOSE,OIL			
BV65-19-9E0	1				
19-9F0		COOLER,OIL			
BV65-19-9F0A	1				
19-920		PIPE,OIL			
BV65-19-920	1				
19-930		PIPE,OIL			
BV65-19-930	1				
5901 FD333 -400232					

AUFA06

CAT. AUFA06-04

1997-01

1910

AUTOMATIC TRANSMISSION TORQUE CONVERTER,
OIL PUMP & PIPINGS

AUFA06

1910 -4

AUTOMATIC TRANSMISSION TORQUE CONVERTER, OIL PUMP & PIPINGS

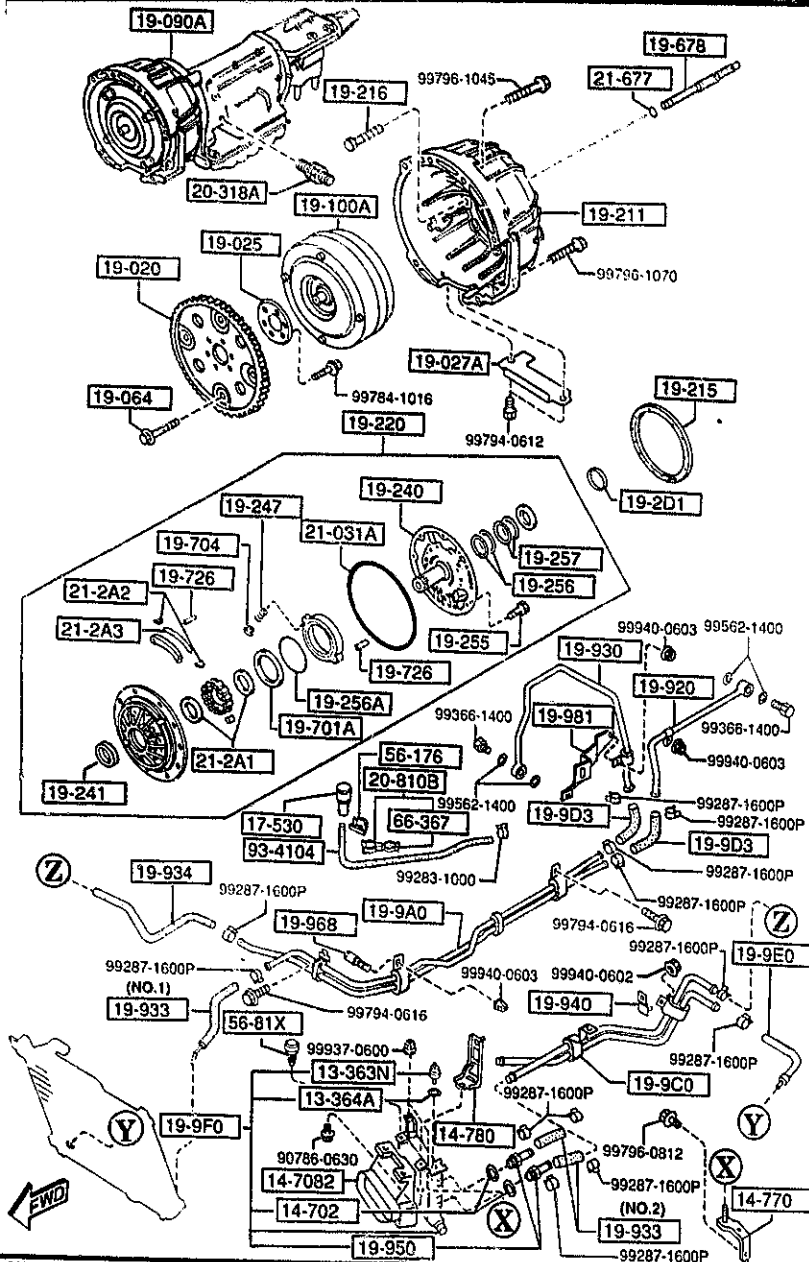
PART NO.	QTY	MODEL/RESTRICTION	MODEL/RESTRICTION	MODEL/RESTRICTION	FROM-TO
19-933		HOSE,OIL			
BV65-19-933A	1	(ILLUST. NO.1)			
FU9E-19-933	2	(ILLUST. NO.2)			
19-934		HOSE,OIL			
BV66-19-934	1				
19-940		BRACKET,PIPE			
BV65-19-940	1				
19-950		PIPE,OIL			
BV65-19-950A	2				
19-968		STUD			
BV65-19-968	1				
19-981		BRACKET			
BV65-19-981A	1				
20-318A		BOLT			
BU27-19-838	1				
20-810B		CLIP			
E5D5-20-81-	1				
21-051A		RING,'O'			
BV11-21-031	1				
21-2A1		SPRING,RING			
BV11-21-2A1	2				
21-2A2		SEAL, SIDE			
BV11-21-2A2	2				
21-2A3		SEAL, FLANGE			
BV11-21-2A3	1				
21-677		RING,'O'			
BV01-21-677	1				

CAT. AUFA06-04

1997-01

1910 AUTOMATIC TRANSMISSION TORQUE CONVERTER,
OIL PUMP & PIPINGS

1910 -5 * AUTOMATIC TRANSMISSION TORQUE CONVERTER, OIL PUMP & PIPINGS

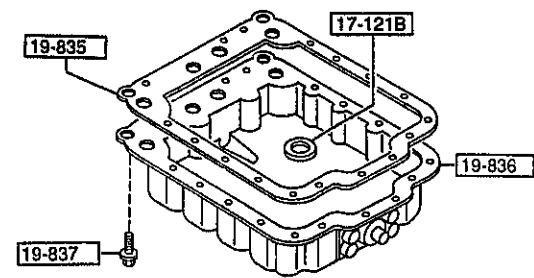
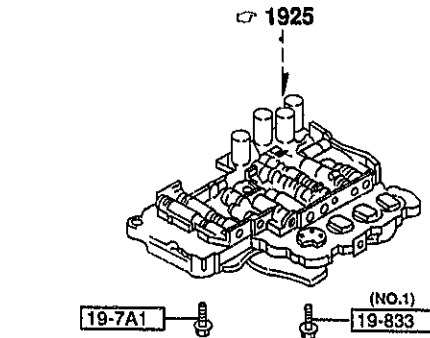
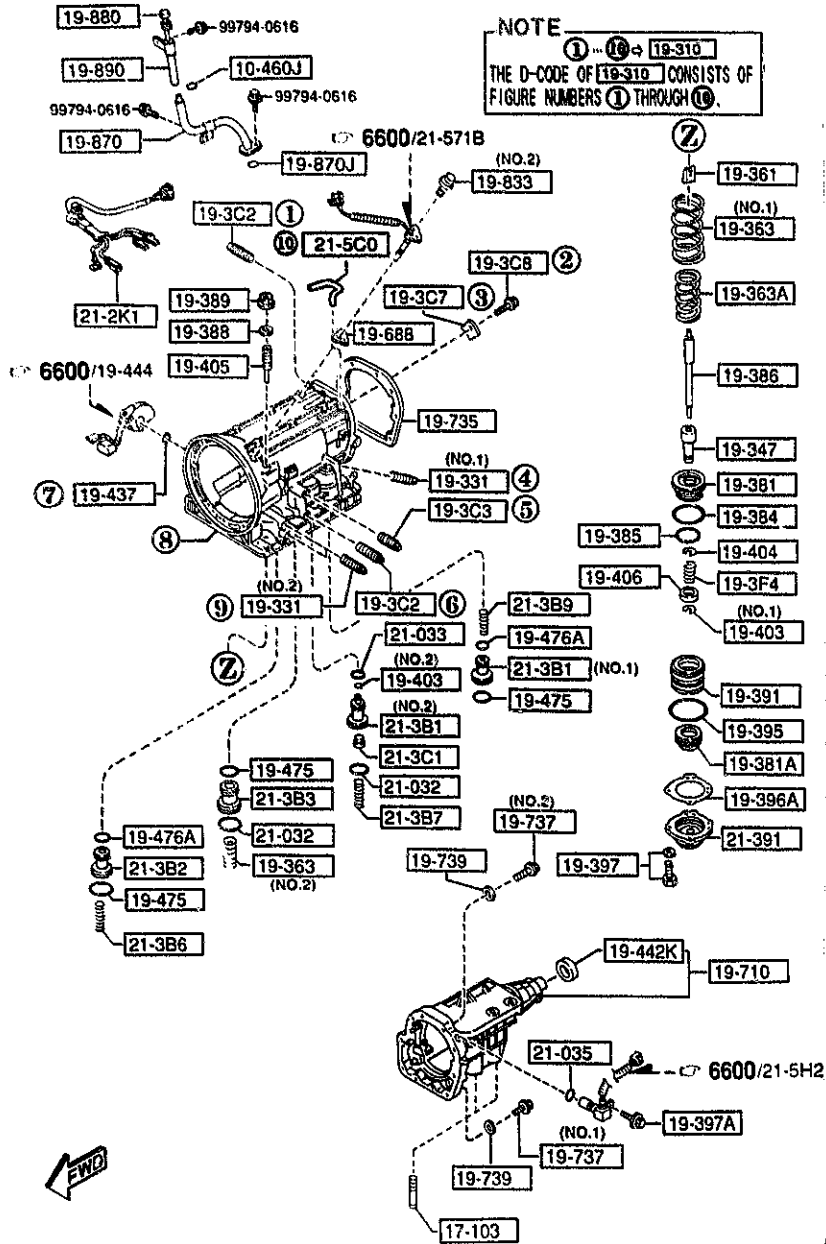


PART NO.	QTY	MODEL/RESTRICTION	MODEL/RESTRICTION	MODEL/RESTRICTION	FROM-TO
56-176		HOLDER, JACK HANDLE			
FB01-56-176	1				
56-81X		FASTENER, DUCT PANEL			
FB01-56-81X	5				
66-367		CLIP			
GA98-66-367A	1				
93-4104		HOSE			
99340-05540	1				

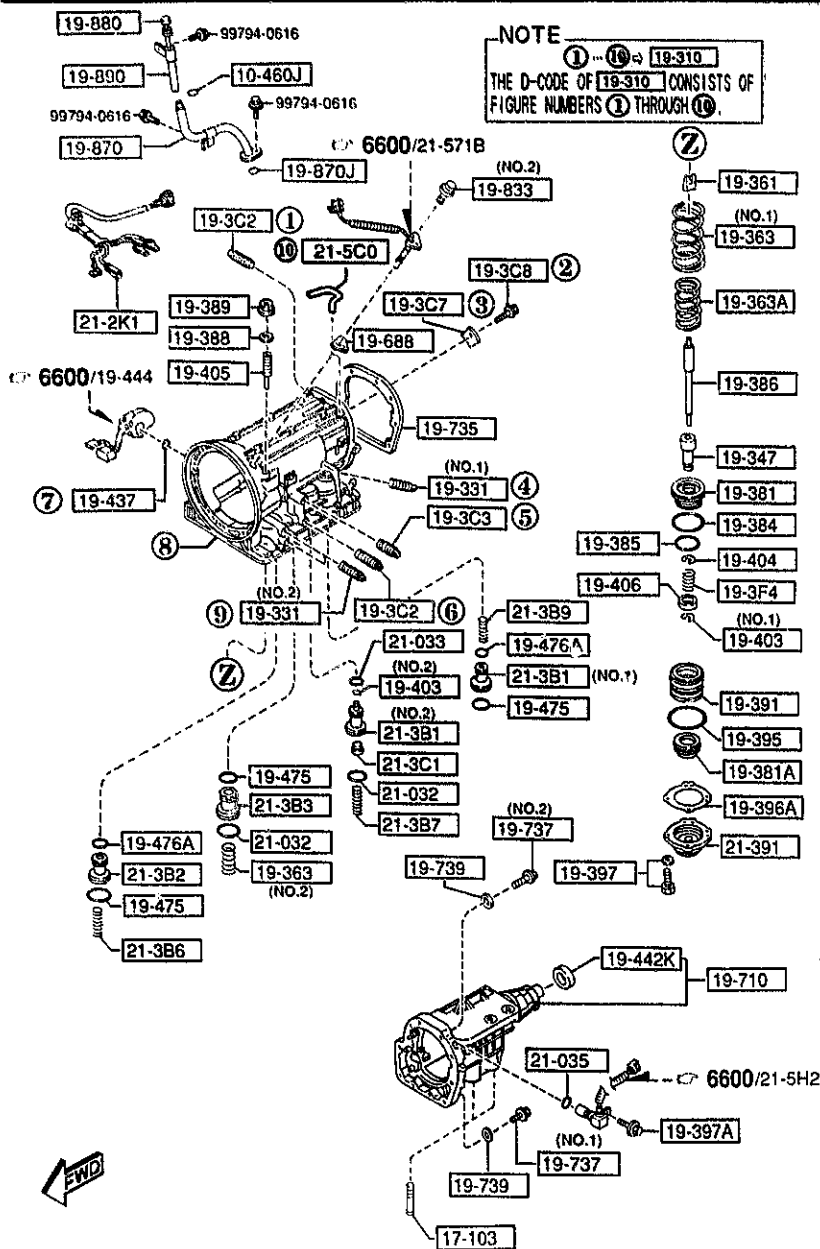
AUFA06

CAT. AUFA06-04

1997-01

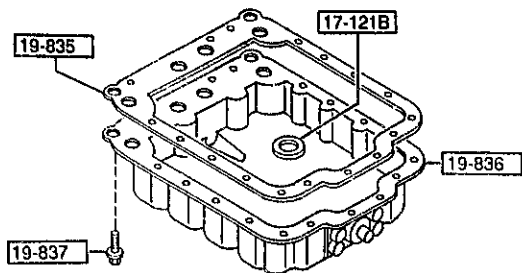
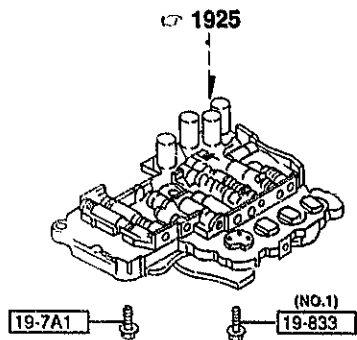


1920 AUTOMATIC TRANSMISSION CASE & MAIN CONTROL SYSTEM: (1/2)



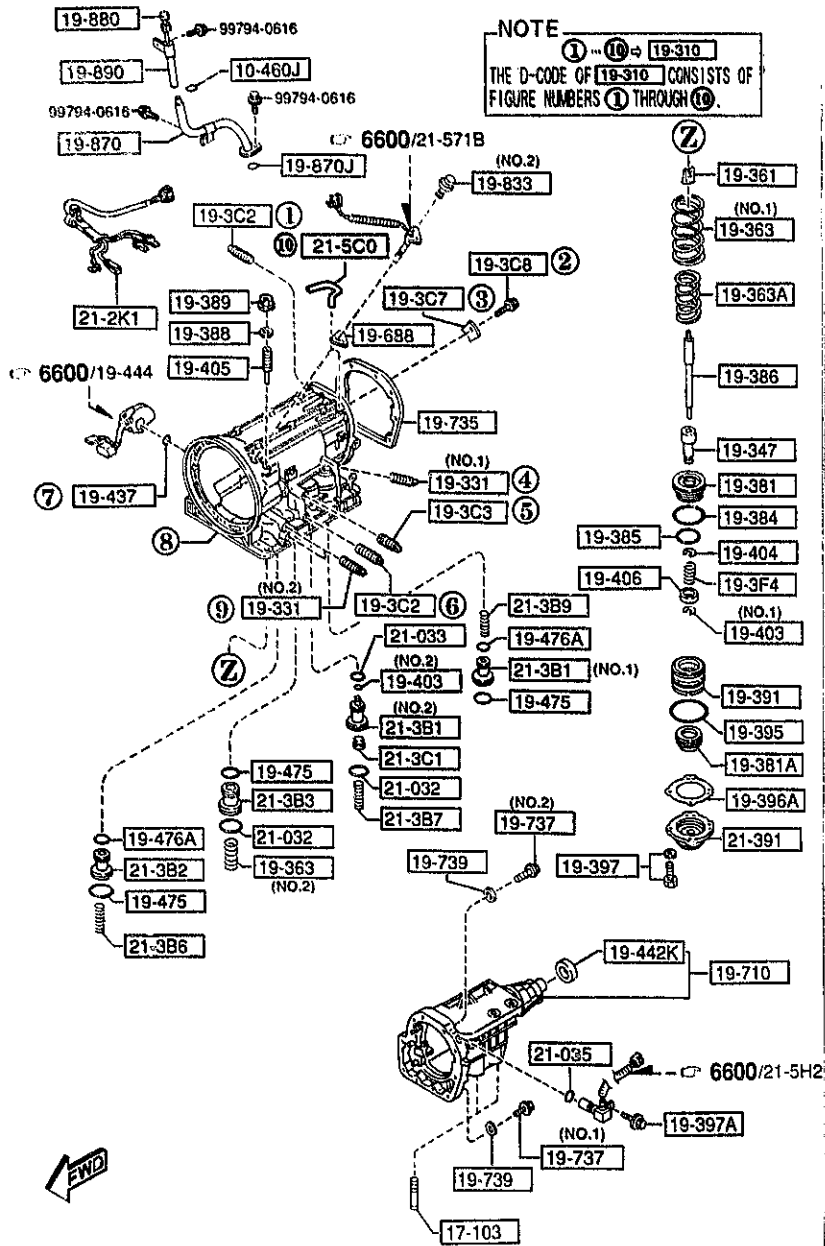
PART NO.	QTY	MODEL/RESTRICTION	MODEL/RESTRICTION	MODEL/RESTRICTION	FROM TO
10-460J		RING, "D"			
99541-01201	1				
17-103		BOLT			
R526-17-103	2				
17-121B		MAGNET			
F401-17-121	1				
19-3C2		PLUG			
BV11-19-3C2	2				
19-3C3		PLUG			
BV11-19-3C3	1				
19-3C7		PLATE, BAFFLE			
BV11-19-3C7	1				
19-3C8		BOLT, BAFFLE PLATE			
BV11-19-3C8	1				
19-3F4		SPRING, PISTON RETURN			
BV11-19-3F4	1				
19-310		CASE, T/MISSION			
BV56-19-310A	1				
19-331		PLUG, SQUARE HEAD			
BV11-19-331	1	(ILLUST. NO. 1)			
0338-19-331A	3	(ILLUST. NO. 2)			
19-347		RETAINER, SERVO SPRING			
BV11-19-347	1				
19-361		STRUT, BAND			
BV11-19-361	1				
19-363		SPRING, PISTON RETURN			
BV11-19-363	1	(ILLUST. NO. 1)			
BV65-19-363	1	(ILLUST. NO. 2)			
5201 FD333 -400026					

-5201

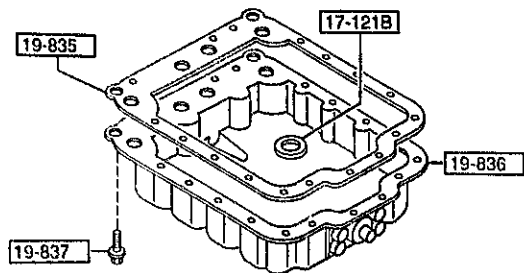
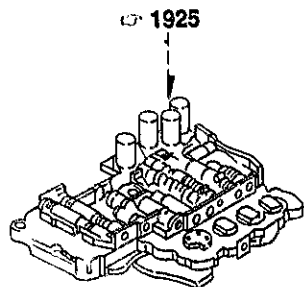


PART NO.	QTY	MODEL/RESTRICTION	MODEL/RESTRICTION	MODEL/RESTRICTION	FROM-TO
19-343A		SPRING,PISTON RETURN			
BV11-19-3F3	1				
19-381		PISTON,BAND SERVO			
BV11-19-381	1				-5201
BV12-19-381	1				5201-
19-381A		PISTON,BAND SERVO			
BV65-21-321	1				
19-384		SEAL,PISTON			
BV11-19-384	1				
19-385		SEAL,PISTON			
BV11-19-385	1				
19-386		STEM,PISTON			
BV11-19-386	1				-5201
BV45-19-386	1				5201-
19-388		WASHER,PLAIN			
BV45-19-388	1				5201-
19-389		NUT			
BV12-19-389	1				
19-391		RETAINER,SERVO			
BV11-19-391	1				
19-395		RING,'O'			
0338-19-395	1				
19-396A		GASKET			
BV11-19-3J4	1				
19-397		BOLT			
BV11-19-397	4				
19-397A		BOLT			
0338-19-397	1				
5201 FD333 -400026					

1920 AUTOMATIC TRANSMISSION CASE & MAIN CONTROL SYSTEM: (1/2)

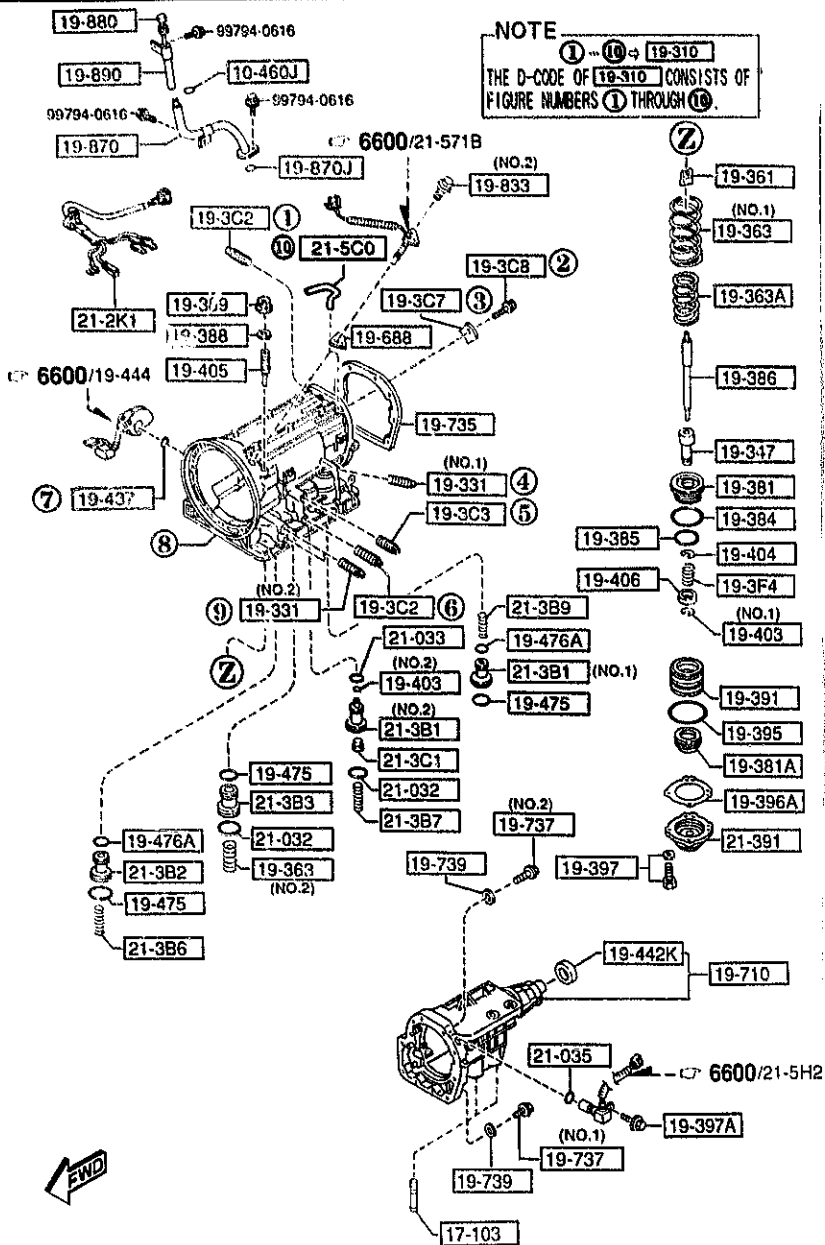


PART NO.	QTY	MODEL/RESTRICTION	MODEL/RESTRICTION	MODEL/RESTRICTION	FROM-TO
19-403		RING, SNAP-PISTON STE			
BV11-19-403	1	M LOW (ILLUST. NO.1)			
BV35-19-403	1	(ILLUST. NO.2)			
19-404		RING, SNAP-PISTON STE			
BV11-19-404	1	M UP			-5201
19-405		PIN			
BV11-19-405	1				
19-406		RETAINER, SPRING-PSTN			
BV11-19-406	1	STEM			
19-437		SEAL, MANUAL SHAFT LE			
BV11-19-437	1	VER			
19-442K		SEAL, OIL			
BV65-19-437	1				
19-475		SEAL, 'O'RING			
BV11-19-475	3				
19-476A		RING, 'O'			
BV11-19-476	2				
19-688		GASKET, GOVERNOR			
BV56-19-688	1				
19-7A1		BOLT			
BV11-19-7A3	7				
19-710		HOUSING, EXTENSION			
BV65-19-710	1				
19-735		GASKET, EXTENSION			
BV60-19-735	1				
19-737		BOLT			
BV12-19-737	3	(ILLUST. NO.1)			
BV40-19-737	5	(ILLUST. NO.2)			
5201 FD333 -400026					



PART NO.	QTY	MODEL/RESTRICTION	MODEL/RESTRICTION	MODEL/RESTRICTION	FROM-TO
19-739		WASHER, PLAIN			
0338-19-739	10				
19-833		BOLT, CONTROL VALVE			
BV11-19-833	13 (ILLUST. NO.1)				
BV56-19-833	2 (ILLUST. NO.2)				
19-835		GASKET, OIL PAN			
BV60-19-835	1				
19-836		PAN, OIL			
BV65-19-836	1				
19-837		BOLT, OIL PAN			
0338-19-837	18				
19-870		TUBE, OIL LEVEL			
BV65-19-870	1				
19-870J		RING, 'O'			
99541-01601	1				
19-880		GAUGE, OIL LEVEL			
BV45-19-880	1				
19-890		TUBE, OIL FILTER-UPPER			
BV65-19-890	1				
21-032		RING, 'O'-UP. ACCUM 2ND PIS			
BV11-21-032	2				
21-033		RING, 'O'-ACCUM. CLUTCH			
BV11-21-033	1				
21-035		RING, 'O'-ACCUM. FOR. CLUTCH			
BV11-21-035	1				
21-2K1		TERMINAL			
BV65-21-2K1	1				

1920 AUTOMATIC TRANSMISSION CASE & MAIN CONTROL SYSTEM: (1/2)



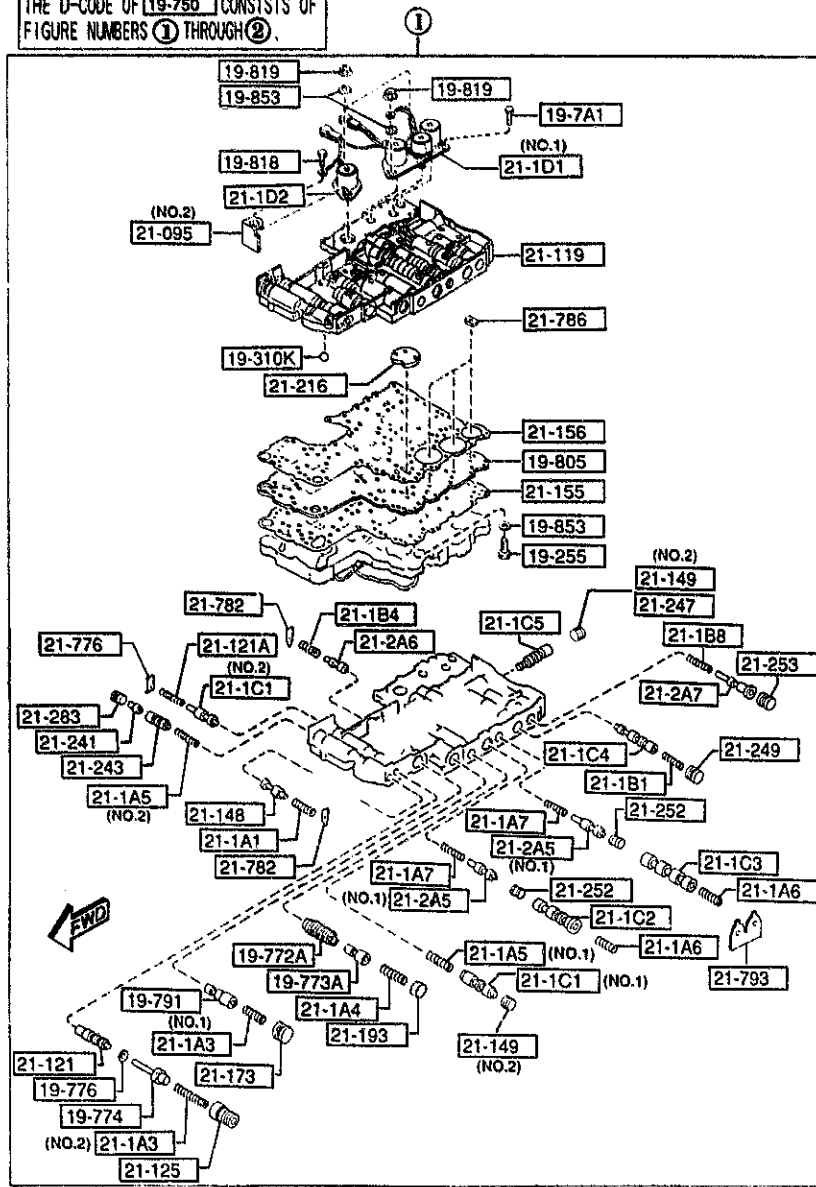
PART NO.	QTY	MODEL/RESTRICTION	MODEL/RESTRICTION	MODEL/RESTRICTION	FROM-TO
21-3B1		PISTON, ACCUMULATOR			
BV11-21-3B1	1	(ILLUST. NO.1)			
BV65-21-3B1	1	(ILLUST. NO.2)			
21-3B2		PISTON, ACCUMULATOR			
BV11-21-3B2	1				
21-3B3		PISTON, ACCUMULATOR			
BV11-21-3B3	1				
21-3B6		SPRING, ACCUMULATOR			
BV11-21-3B6	1				
21-3B7		SPRING, ACCUMULATOR			
BV45-21-3B7	1				
21-3B9		SPRING, PISTON RETURN			
BV11-21-3B9	1				
21-3C1		RET, ACCUM			
BV40-21-3C1	1				
21-391		RETAINER, SERVO			
BV65-21-391	1				
21-5C0		BREATHER			
*BV71-21-5C1	1				
5A02 FD333 -400531					

5A02-

NOTE

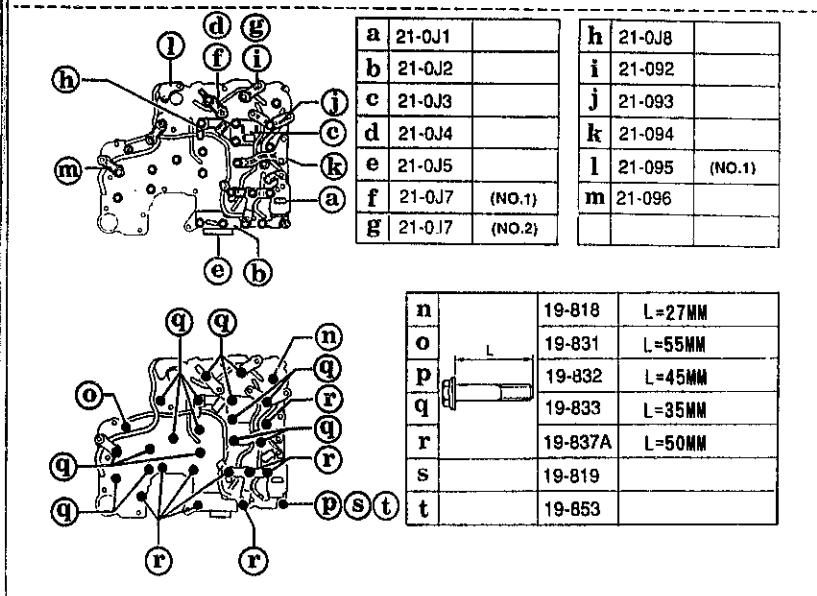
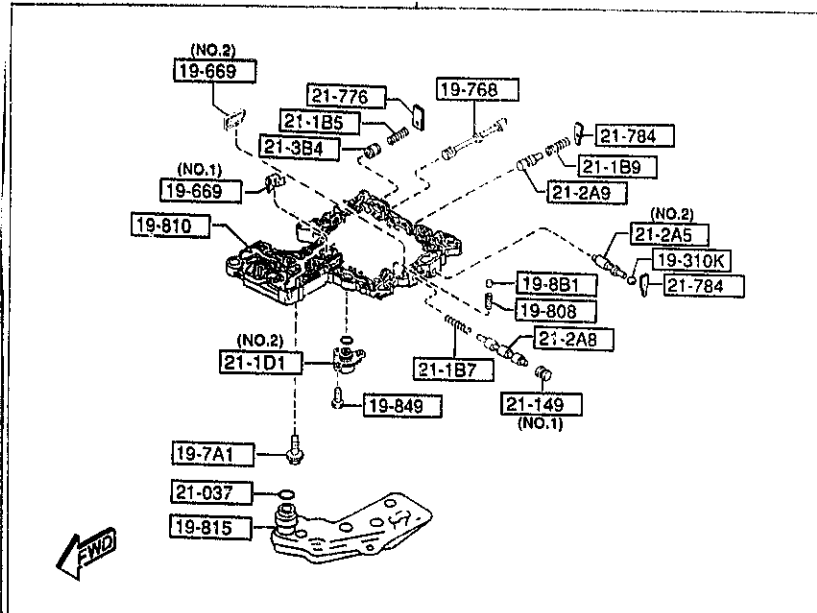
① -- ② --> 19-750

THE D-CODE OF 19-750 CONSISTS OF FIGURE NUMBERS ① THROUGH ②.



AUFA06

②



a	21-0J1		h	21-0J8	
b	21-0J2		i	21-092	
c	21-0J3		j	21-093	
d	21-0J4		k	21-094	
e	21-0J5		l	21-095 (NO.1)	
f	21-0J7 (NO.1)		m	21-096	
g	21-0J17 (NO.2)				

n	19-818	L=27MM
o	19-831	L=55MM
p	19-832	L=45MM
q	19-833	L=35MM
r	19-837A	L=50MM
s	19-819	
t	19-853	

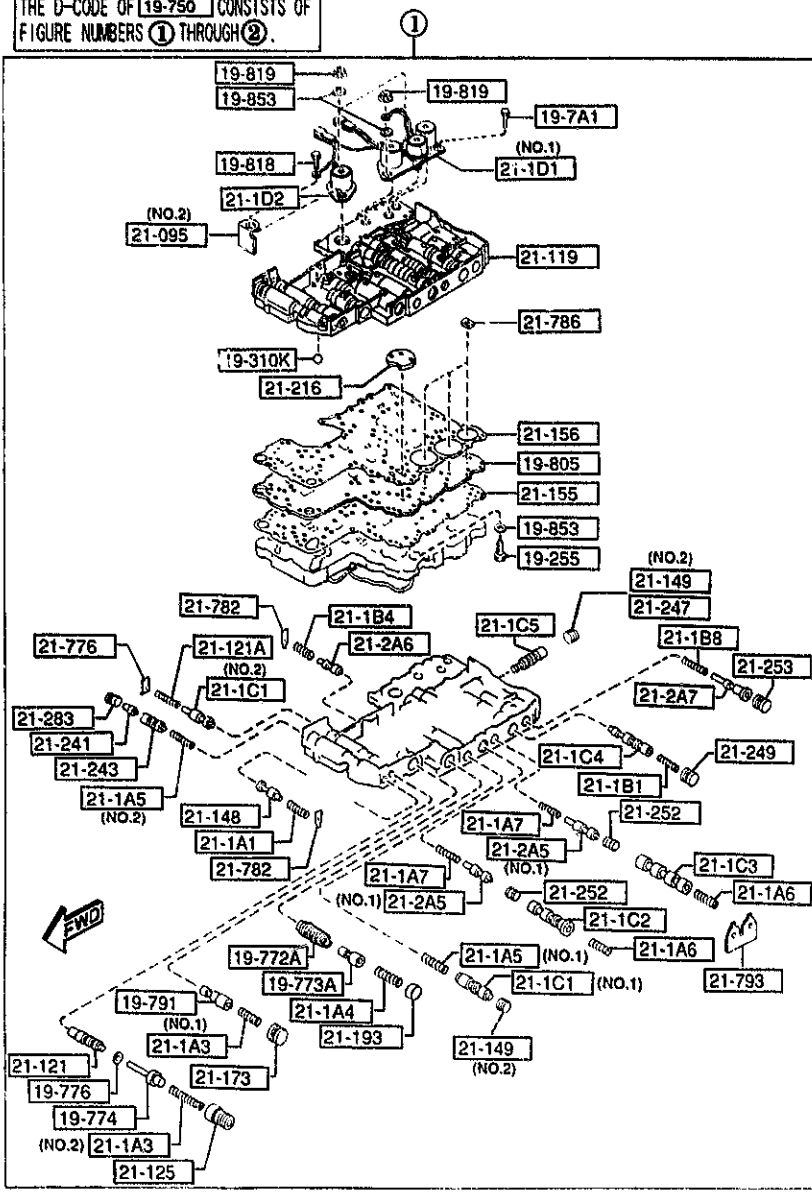
AUFA06

1925 AUTOMATIC TRANSMISSION CONTROL VALVE

(1/2)

NOTE

① -- ② -- 19-750
 THE D-CODE OF 19-750 CONSISTS OF
 FIGURE NUMBERS ① THROUGH ②.

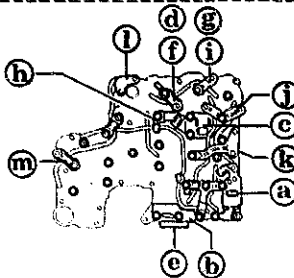
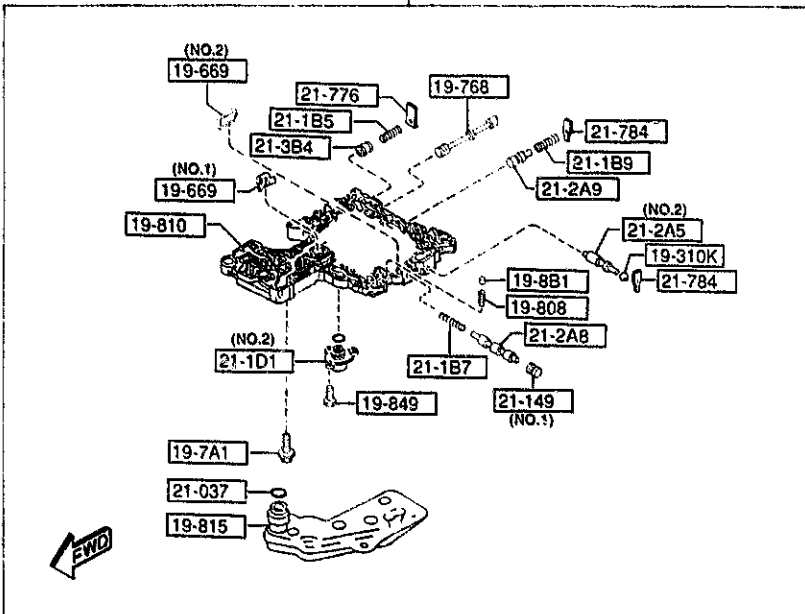


PART NO.	QTY	MODEL/RESTRICTION	MODEL/RESTRICTION	MODEL/RESTRICTION	FROM-TO
19-255		BOLT			
BV50-19-255	1				
19-310K		BALL, STEEL			
99611-1750	2				-5801
19-669		FILTER, GOVERNOR			
BV11-19-669	1	(ILLUST. NO. 1)			
BV50-19-669	1	(ILLUST. NO. 2)			
19-7A1		BOLT			
BV11-19-7A1	2				
19-750		VALVE, CONTROL			
BV65-19-750A	1				
19-768		VALVE, MANUAL			
BV11-19-768	1				
19-772A		SLEEVES, ACCUMULATOR			
BV11-19-772	1				
19-773A		VALVE, ACCUMULATOR			
BV11-19-773	1				
19-774		PLUG, REGULATOR			
BV45-19-774	1				
19-776		SHEET, SPRING			
BV11-19-776	1				
19-791		VALVE, MODIFIER			
BV11-19-791	1				
19-8B1		VALVE, ORIFICE CHECK			
BV30-19-8B1	1				
19-805		PLATE, SEPARATOR			
BV56-19-805	1				
5801 FD333 -400230					

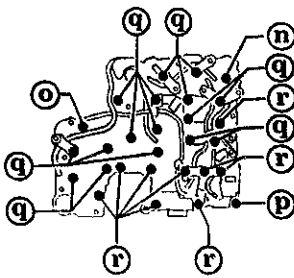
AUFA06

CAT. AUFA06-04

1997-01



a	21-0J1		h	21-0J8	
b	21-0J2		i	21-092	
c	21-0J3		j	21-093	
d	21-0J4		k	21-094	
e	21-0J5		l	21-095 (NO.1)	
f	21-0J7 (NO.1)		m	21-096	
g	21-0J7 (NO.2)				



n	19-818	L=27MM
o	19-831	L=55MM
p	19-832	L=45MM
q	19-833	L=35MM
r	19-837A	L=50MM
s	19-819	
t	19-853	

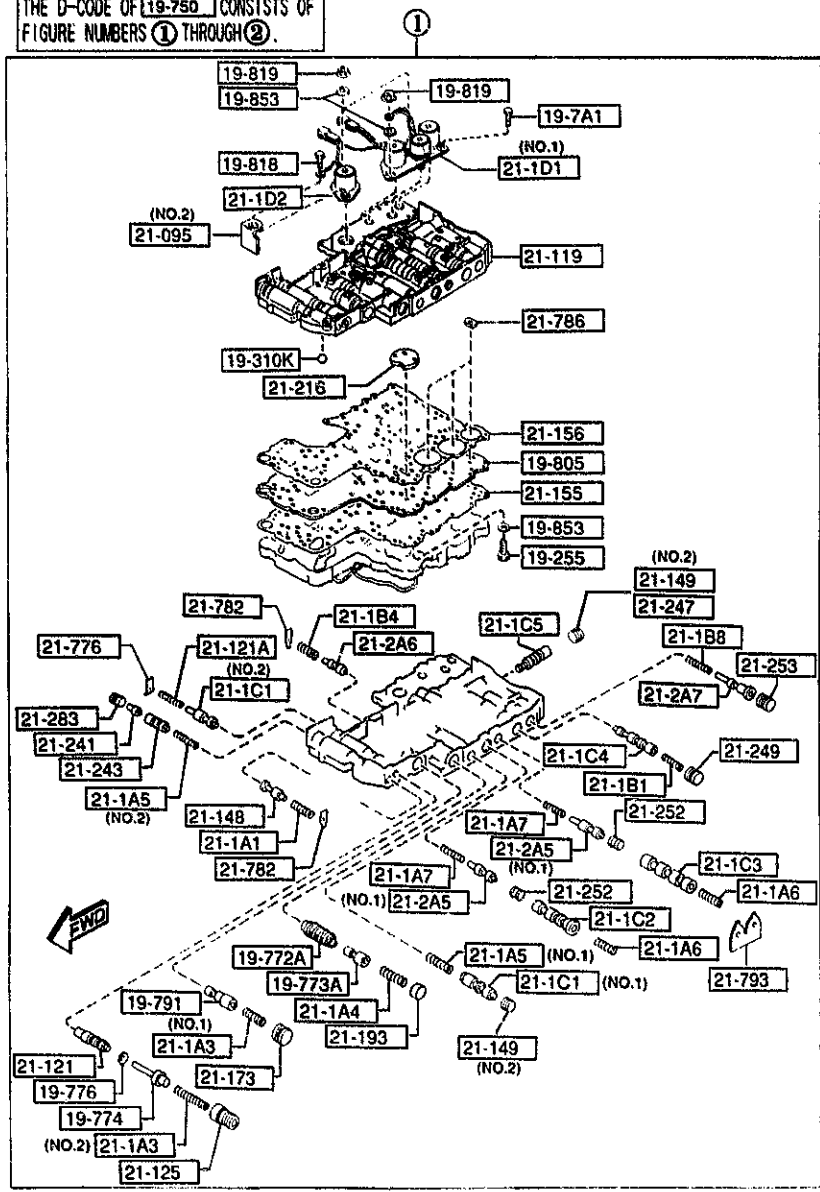
PART NO.	QTY	MODEL/RESTRICTION	MODEL/RESTRICTION	MODEL/RESTRICTION	FROM-TO
19-808		SPRING			
0338-19-808	1				
19-810		BODY, LWR-CONT. VALVE			
BV40-19-810	1				
19-815		STRAINER, OIL			
BV65-19-815	1				
19-818		BOLT			
BV11-19-818	2				
19-819		NUT			
BV11-19-819	4				
19-831		BOLT, CONTROL VALVE			
BV11-19-831	1				
19-832		BOLT, CONTROL VALVE			
BV50-19-832	1				
19-833		BOLT, CONTROL VALVE			
BV11-19-833	16				
19-837A		BOLT, CONTROL VALVE			
BV11-19-837	9				
19-849		BOLT			
BV11-19-849	2				
19-853		WASHER			
BV11-19-853	6				
21-0J1		CLIP, HARNESS			
BV50-21-0J1	1				
21-0J2		CLIP, HARNESS			
BV45-19-0J2	1				
21-0J3		CLIP, HARNESS			
BV11-21-0J3	1				

1925 AUTOMATIC TRANSMISSION CONTROL VALVE

(1/2)

NOTE

① → ② → 19-750
 THE D-CODE OF 19-750 CONSISTS OF
 FIGURE NUMBERS ① THROUGH ②.



PART NO.	QTY	MODEL/RESTRICTION	MODEL/RESTRICTION	MODEL/RESTRICTION	FROM-TO
21-0J4		CLIP, HARNESS			
BV11-21-0J4	1				
21-0J5		CLIP, HARNESS			
BV11-21-0J5	1				
21-0J7		BRACKET, TUBE			
BV11-21-0J7A	1	(ILLUST. NO.1)			
BV56-21-0J7	1	(ILLUST. NO.2)			-4C10
21-0J8		BRACKET, TUBE			
BV11-21-0J8	1				
21-037		RING, 'O'			
BV11-21-037	1				
21-092		BRACKET, TUBE			
BV11-21-092	1				
21-093		BRACKET, TUBE			
BV11-21-093	1				-4903
BV12-21-093	1				4903-
21-094		BRACKET, TUBE			
BV35-21-094	1				-4903
21-095		BRACKET			
BV11-21-095	1	(ILLUST. NO.1)			
BV56-21-095	1	(ILLUST. NO.2)			
21-096		BRACKET, TUBE			
BV11-21-096	1				
21-1A1		SPRING, VALVE			
BV65-21-1A1	1				
21-1A3		SPRING, VALVE			
BV11-21-1A3	1	L=31.95MM (ILLUST. NO.1)			
BV40-21-1A3	1	(ILLUST. NO.2)			
4903 FB333 -400005					
4C10 FB333 -400023					

AUFA06

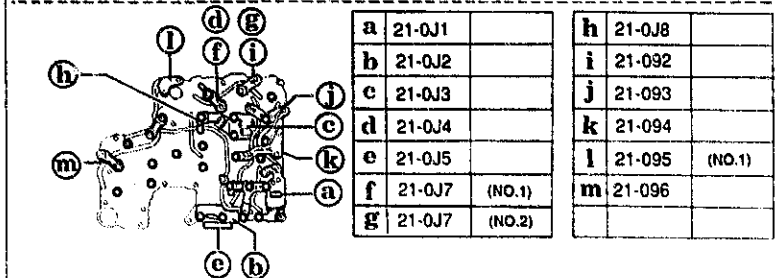
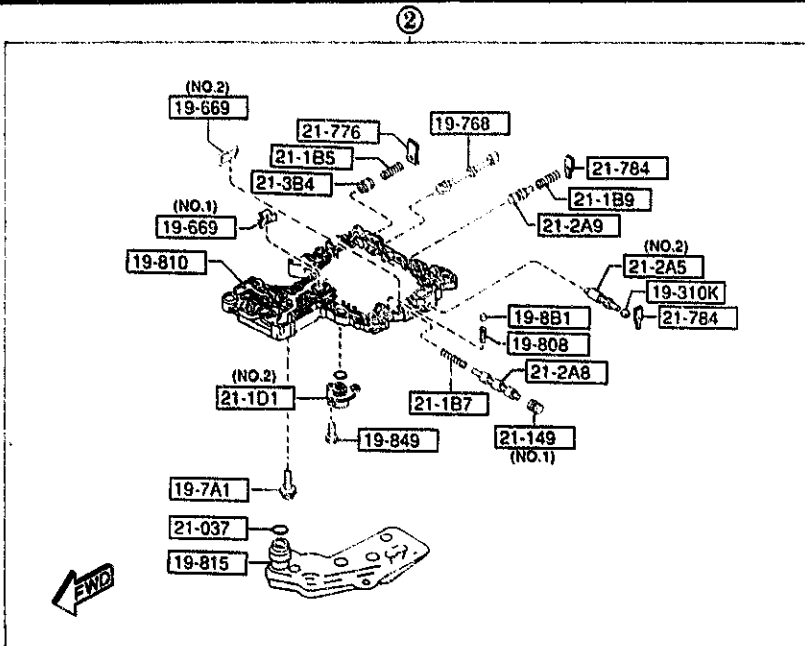
CAT. AUFA06-04

1997-01

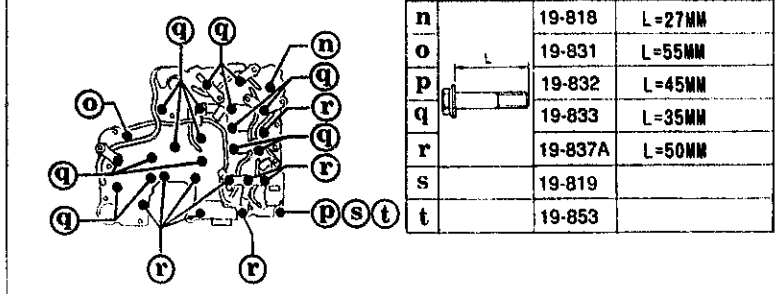
1-F10

1925 AUTOMATIC TRANSMISSION CONTROL VALVE

(2/2)



a	21-0J1		h	21-0J8	
b	21-0J2		i	21-092	
c	21-0J3		j	21-093	
d	21-0J4		k	21-094	
e	21-0J5		l	21-095 (NO.1)	
f	21-0J7 (NO.1)		m	21-096	
g	21-0J7 (NO.2)				



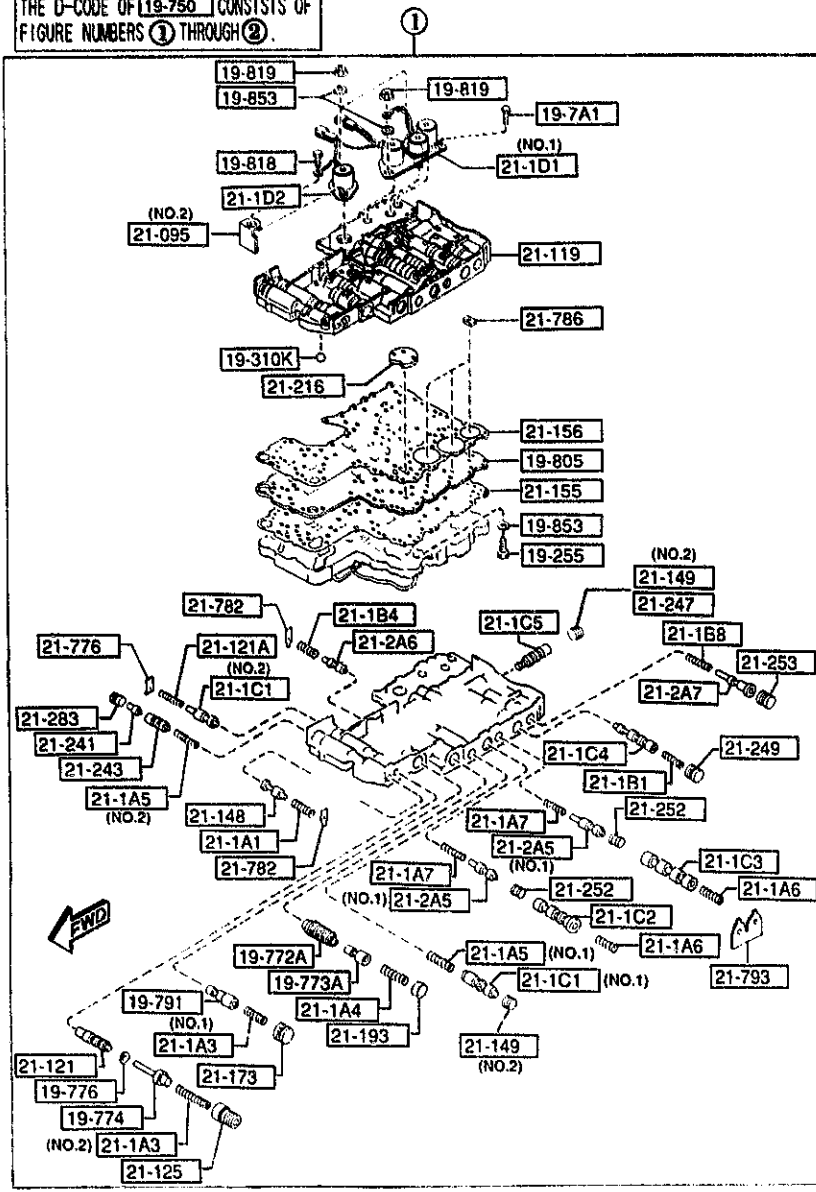
n	19-818	L=27MM
o	19-831	L=55MM
p	19-832	L=45MM
q	19-833	L=35MM
r	19-837A	L=50MM
s	19-819	
t	19-853	

PART NO.	QTY	MODEL/RESTRICTION	MODEL/RESTRICTION	MODEL/RESTRICTION	FROM-TO
21-1A4		SPRING, VALVE			
BV11-21-1A4	1	L=32.6M			
21-1A5		SPRING, VALVE			
BV11-21-1A5	1	L=32.8M (ILLUST. NO.1)			
BV56-21-1A5	1	(ILLUST. NO.2)			
21-1A6		SPRING, VALVE			
BV11-21-1A6	2				
21-1A7		SPRING, VALVE			
BV11-21-1A7	2				
21-1B1		SPRING, VALVE			
BV11-21-1B1	1				
21-1B4		SPRING, VALVE			
BV11-21-1B4	1				
21-1B5		SPRING, VALVE			
BV12-21-1B5	1				
21-1B7		SPRING, VALVE			
BV11-21-1B7	1				
BV11-21-1B7	2				
21-1B8		SPRING, VALVE			
BV45-21-1B8	1				
21-1B9		SPRING, VALVE			
BV11-21-1B9	1				
21-1C1		VALVE, SHIFT			
BV11-21-1C1	1	(ILLUST. NO.1)			
BV40-21-1C1	1	(ILLUST. NO.2)			
21-1C2		VALVE, SHIFT			
BV11-21-1C2	1				
5801 FD333 -400230					

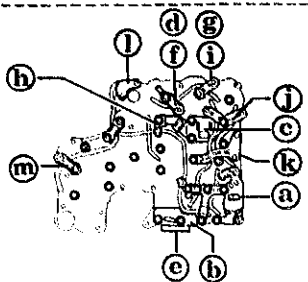
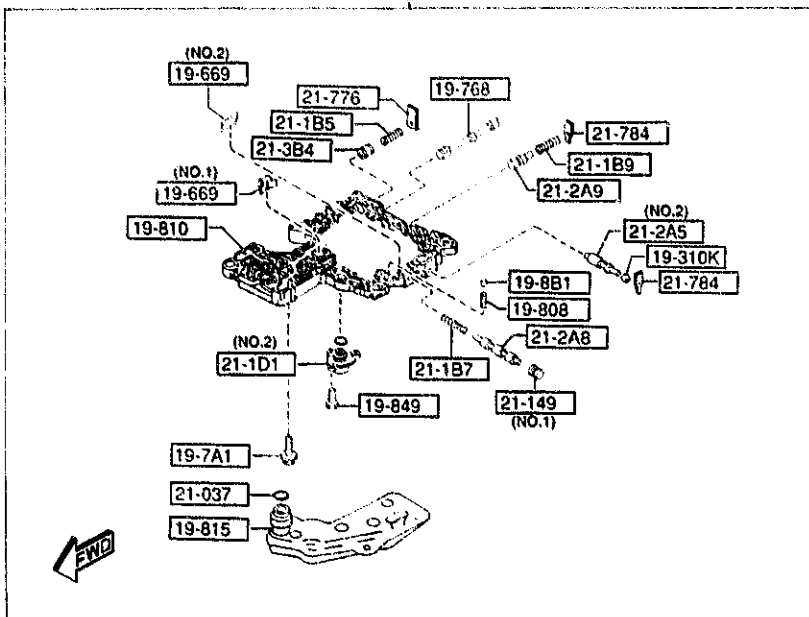
-5801
5801-

NOTE

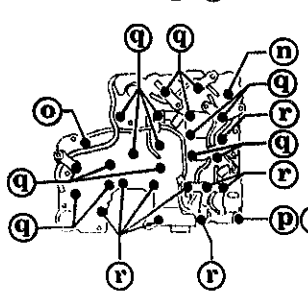
① → ② → 19-750
 THE D-CODE OF 19-750 CONSISTS OF
 FIGURE NUMBERS ① THROUGH ②.



PART NO.	QTY	MODEL/RESTRICTION	MODEL/RESTRICTION	MODEL/RESTRICTION	FROM-TO
21-1C3		VALVE, SHIFT			
BV11-21-1C3	1				
21-1C4		VALVE, SHIFT			
BV11-21-1C4	1				
21-1C5		VALVE, SHIFT			
BV45-21-1C5	1				-5C01
*BV55-21-1C5	1				5C01-
21-1D1		SOLENOID			
BV11-21-1D1	1	(ILLUST. NO. 1)			
BV45-21-1D1	1	(ILLUST. NO. 2)			-4C10
A (BV65-21-1D1)	1	(ILLUST. NO. 2)			4C10-
21-1D2		SOLENOID			
BV11-21-1D2	1				
21-119		BODY, UPPER-CONTROL			
BV40-21-119	1				
21-121		VALVE			
BV11-21-121	1				
21-121A		SPRING, VALVE			
BV45-21-121	1				
21-125		SLEEVE, PLUG REGULATO R			
BV11-21-125	1				
21-148		VALVE, CONVR RELIEF			
BV11-21-148	1				
21-149		PLUG, STOPPER			
BV11-21-149	1	(ILLUST. NO. 1)			
BV30-21-149	2	(ILLUST. NO. 2)			-5C01
21-155		GASKET, BODY-LWR			
BV40-21-155	1				
4C10 FD333 -400023					
5C01 FD333 -400331					



a	21-0J1		h	21-0J8	
b	21-0J2		i	21-092	
c	21-0J3		j	21-093	
d	21-0J4		k	21-094	
e	21-0J5		l	21-095	(NO.1)
f	21-0J7	(NO.1)	m	21-096	
g	21-0J7	(NO.2)			



n	19-818	L=27MM
o	19-831	L=55MM
p	19-832	L=45MM
q	19-833	L=35MM
r	19-837A	L=50MM
s	19-819	
t	19-853	

PART NO.	QTY	MODEL/RESTRICTION	MODEL/RESTRICTION	MODEL/RESTRICTION	FROM-TO
21-156		GASKET, BODY-UPP			
BV40-21-156	1				
21-173		PLUG, STOPPER			
BV11-21-173	1				
21-193		PLUG, STOPPER			
BV11-21-193	1				
21-2A5		VALVE, SPOOL			
BV11-21-2A5	2	(ILLUST. NO.1)			
BV12-21-2A5	1	(ILLUST. NO.2)			
21-2A6		VALVE, SPOOL			
BV11-21-2A6	1				
21-2A7		VALVE, SPOOL			
BV11-21-2A7	1				
21-2A8		VALVE, SPOOL			
BV11-21-2A8	1				
21-2A9		VALVE, SPOOL			
BV35-21-2A9	1				-5C01
BV3C-21-2A4	1				5C01-
21-216		PLATE 'E', SIDE			
BV11-21-216	1				
21-241		SLEEVE, LOCK UP			
BV40-21-241	1				
21-243		VALVE, 3RD LOCK UP			
BV40-21-243	1				
21-247		PLUG, STOPPER			
BV30-21-247	1				-5C01
21-249		PLUG			
BV56-21-249	1				

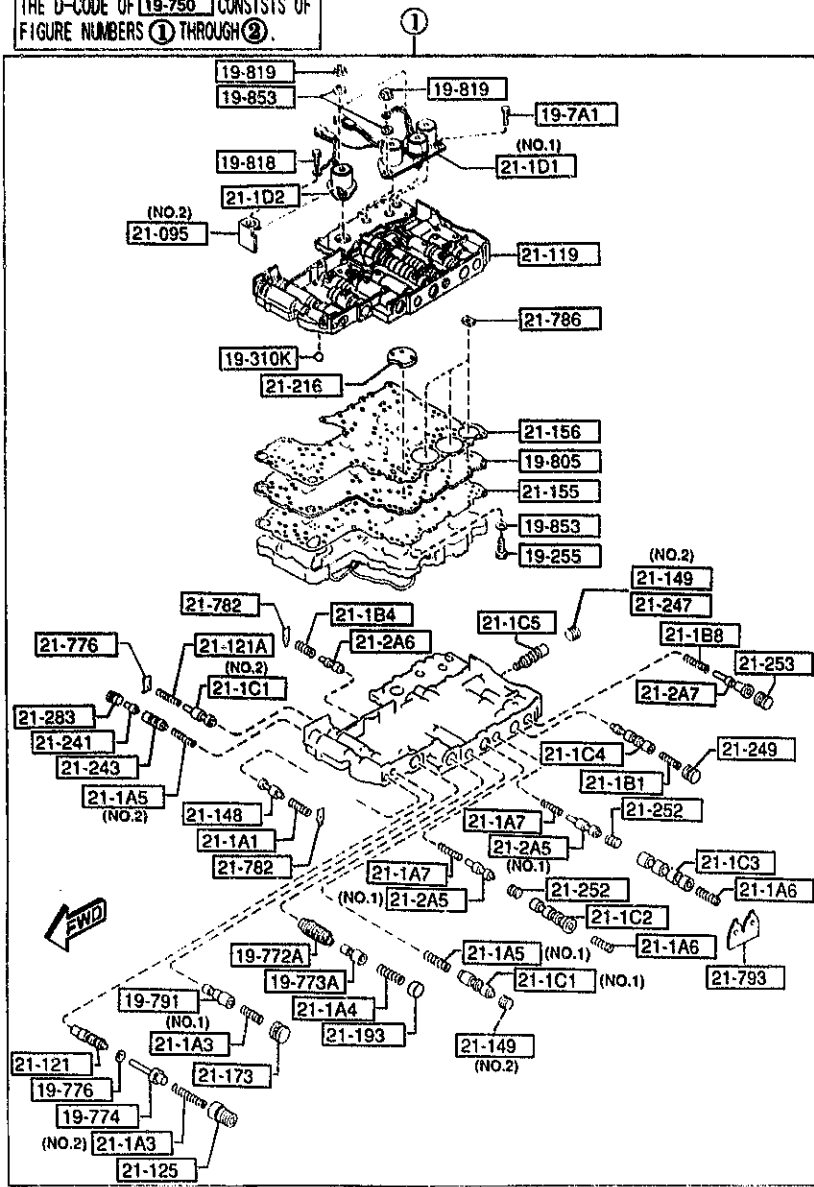
5C01 FD333 -400331

1925 AUTOMATIC TRANSMISSION CONTROL VALVE

(1/2)

NOTE

① → ② → 19-750
 THE D-CODE OF 19-750 CONSISTS OF
 FIGURE NUMBERS ① THROUGH ②.



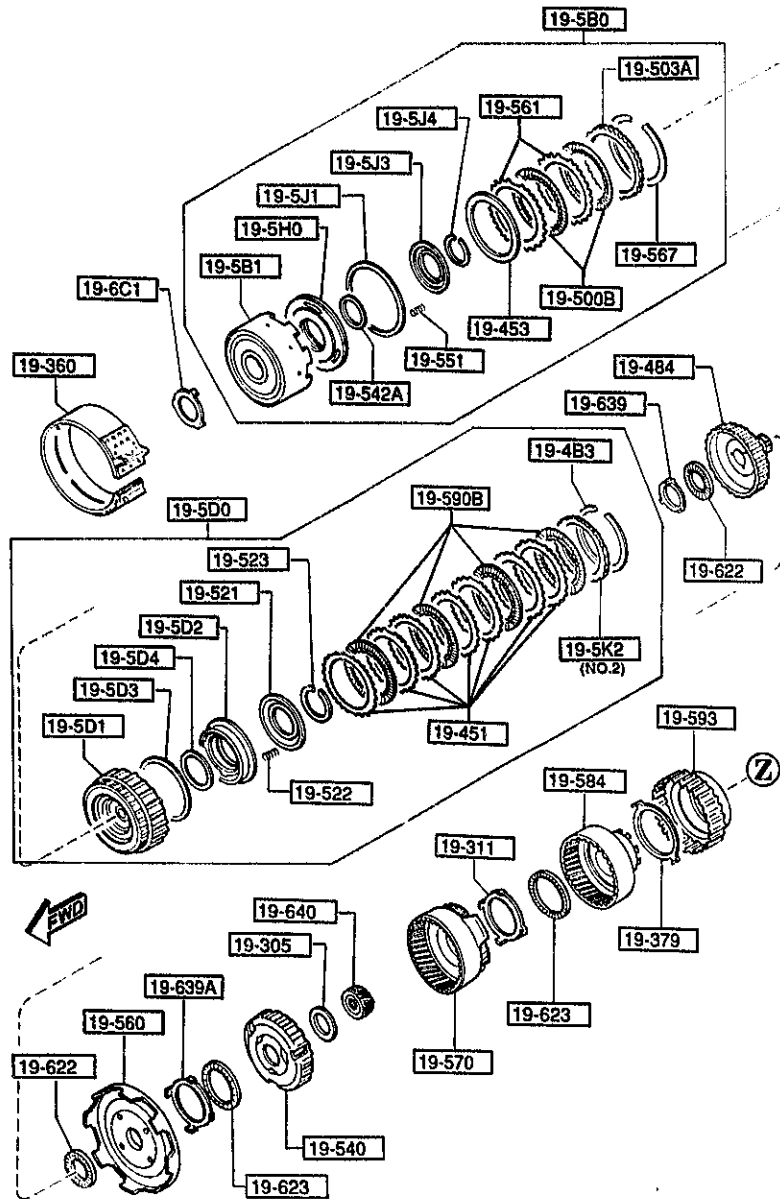
PART NO.	QTY	MODEL/RESTRICTION	MODEL/RESTRICTION	MODEL/RESTRICTION	FROM-TO
21-252		PLUG, STOPPER			
BV11-21-252	2				
21-253		GASKET, DRUM SUPPORT			
BV11-21-253	1				
21-283		VALVE, LOCK UP CONTROL			
BV40-21-283	1				
21-384		PISTON, ACCUMULATOR			
BV11-21-384	1				
21-776		PLATE, RETAINING			
BV40-21-776	2				
21-782		PLATE			
BV11-21-782	2				
21-784		PLATE			
BV11-21-784	2				
21-786		PLATE			
BV11-21-786	3				
BV35-21-786	3				
21-793		PLATE			
BV35-21-793	1				
-5C01					
5C01-					
5C01 FD333 -400331					

AUFA06

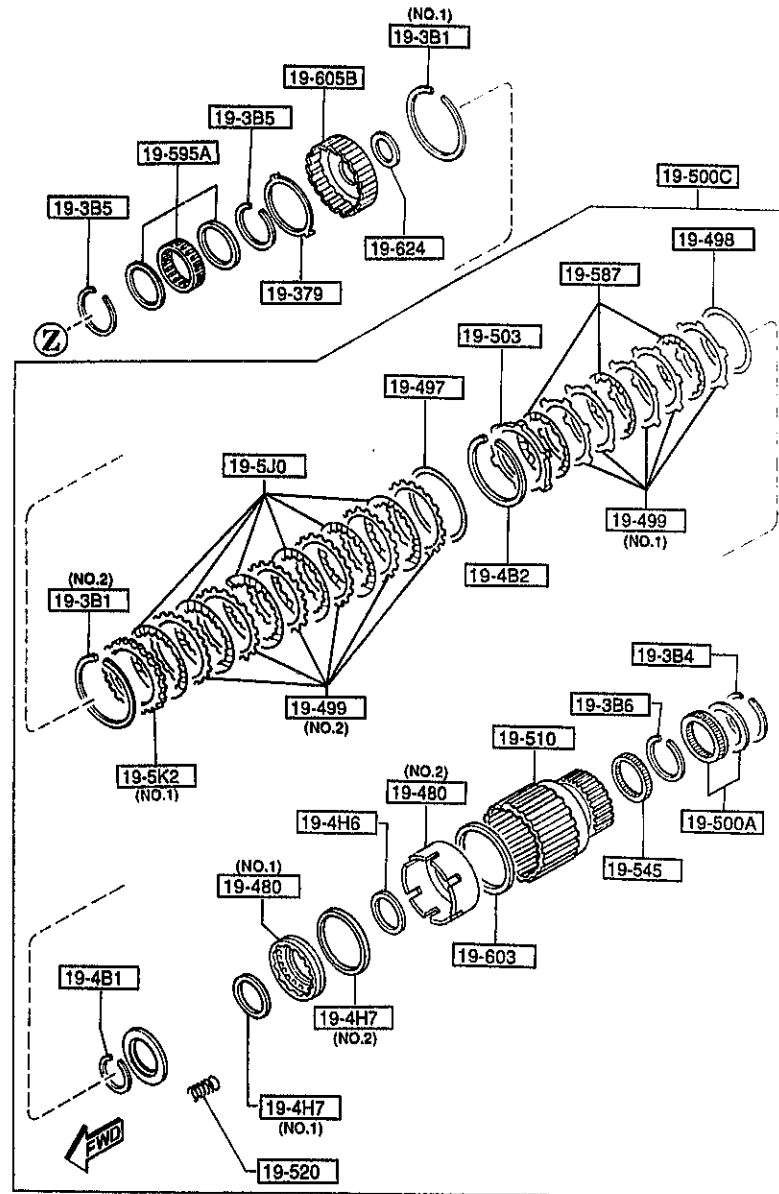
CAT. AUFA06-04

1997-01

1-J10



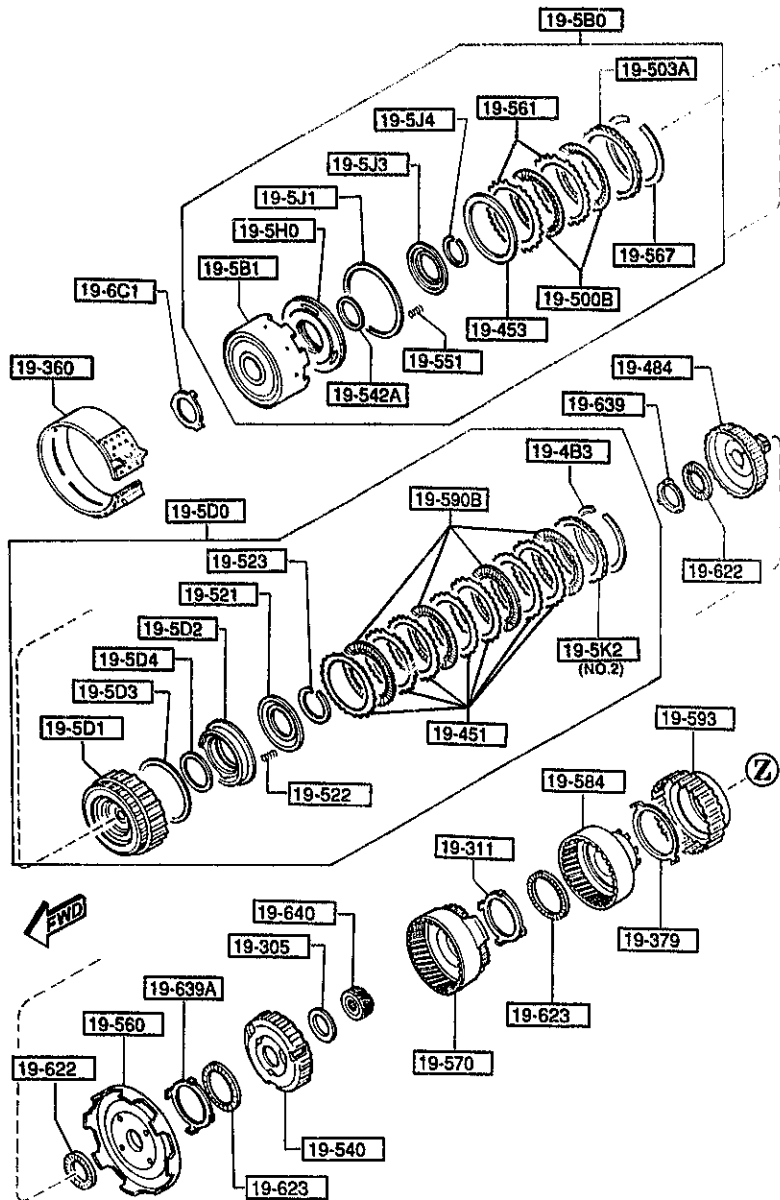
AUFA06



AUFA06

1930 AUTOMATIC TRANSMISSION CLUTCHES & PLANETARY GEARS (1/2)

1930 -1 AUTOMATIC TRANSMISSION CLUTCHES & PLANETARY GEARS



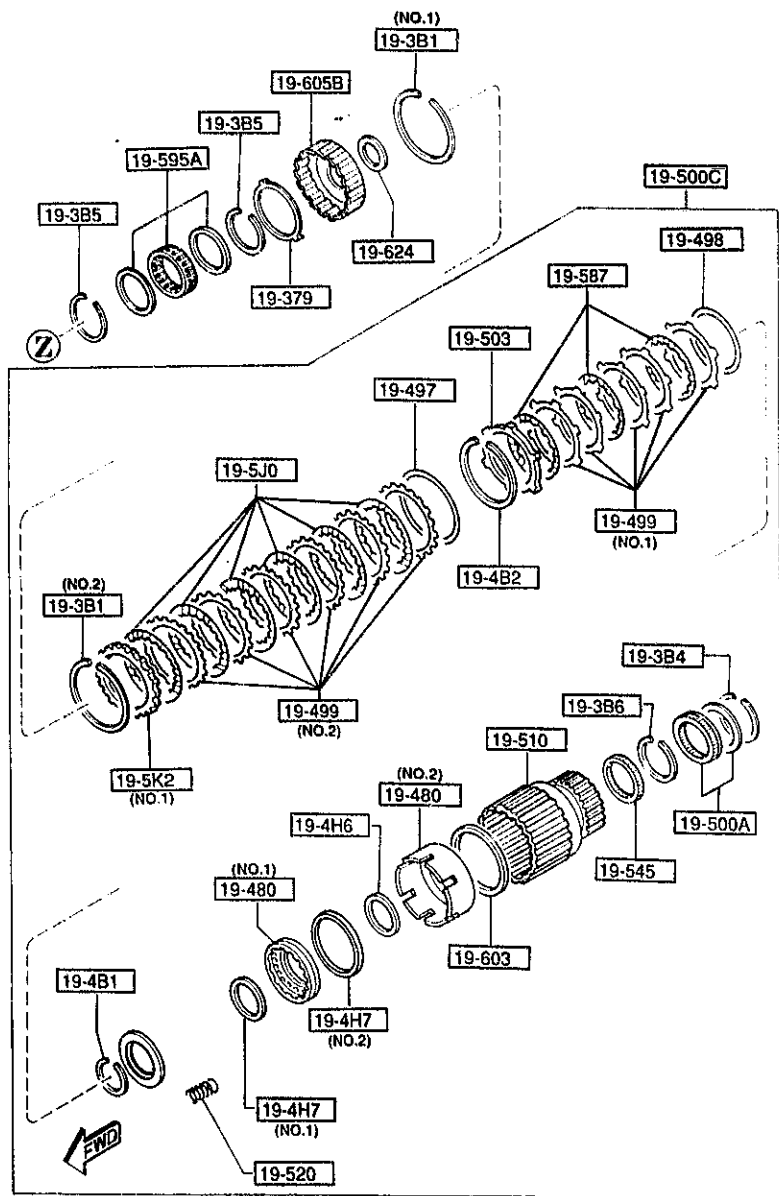
PART NO.	QTY	MODEL/RESTRICTION	MODEL/RESTRICTION	MODEL/RESTRICTION	FROM-TO
19-381		RING, SNAP			
BV11-19-381	1	(ILLUST. NO.1)			
BV12-19-381	1	(ILLUST. NO.2)			
19-384		RING, SNAP			
BV11-19-384	1				
19-385		RING, SNAP			
BV11-19-385A	2				
19-386		RING, SNAP			
BV11-19-386	1				
19-305		BEARING, NEEDLE			
BV11-19-305	1				
19-311		RACE, BEARING			
BV11-19-311	1				
19-360		BAND, BRAKE			
BV65-19-360	1				
19-379		WASHER, TRUST			
BV11-19-379	2				
19-481		RING, SNAP			
BV30-19-481	1				
19-482		RING, SNAP			
BV11-19-482	1				
19-483		RING, SNAP			
BV11-19-483	1				
19-4H6		SEAL, LATHE CUT			
BV11-19-4H6	1				
19-4H7		SEAL, PISTON			
BV30-19-4H7	1	(ILLUST. NO.2)			
BV11-19-4H7	1	(ILLUST. NO.1)			
					-5B14
5B14 FB333 -400331					

AUFA06

CAT. AUFA06-04

1997-01

1930 AUTOMATIC TRANSMISSION CLUTCHES & PLANETARY GEARS (2/2)



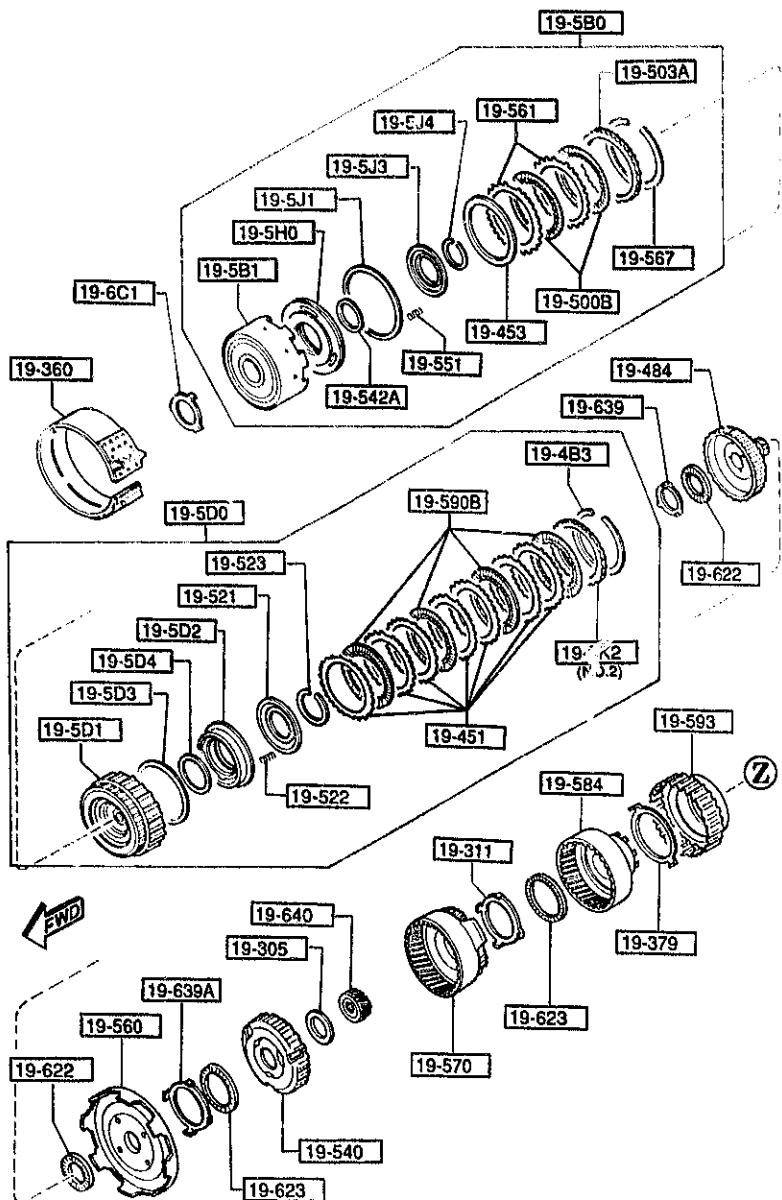
PART NO.	QTY	MODEL/RESTRICTION	MODEL/RESTRICTION	MODEL/RESTRICTION	FROM-TO
CONT'D					
*BV11-19-4H7A	1	(ILLUST. NO.1)			5B14-5C01
BV80-19-4H7	1	(ILLUST. NO.1)			5C01-
19-451		PLATE,DRIVEN			
BV11-19-451	7				
19-453		PLATE,RETAINING			
BV11-19-453	1				-4C01
BV71-19-544	1				4C01-
19-480		PISTON,CLUTCH			
BV45-19-3F0	1	(ILLUST. NO.1)			
BV11-19-480	1	(ILLUST. NO.2)			-5118
BV56-19-480	1	(ILLUST. NO.2)			5118-
19-484		HUB,FORWARD CLUTCH			
BV11-19-484	1				-5201
BV11-19-484B	1				5201-
19-497		PLATE,DISHED			
BV11-19-497	1				
19-498		PLATE,DISHED			
BV11-19-498	1				
19-499		PLATE,DRIVEN			
BV11-19-499	5	(ILLUST. NO.1)			
BV45-19-499	6	(ILLUST. NO.2)			-5118
BV56-19-499	6	(ILLUST. NO.2)			5118-
19-580		CLUTCH,REVERSE			
BV11-19-580B	1				
19-5B1		DRUM,REVERSE			
BV11-19-5B1A AN(BV71-19-5B1)	1				-4C01
BV71-19-5B1	1				4C01-
19-5D0		CLUTCH,HIGH			
BV65-19-5D0A	1				
4C01	FD333	-400022			
5118	FD333	-400026			
5201	FD333	-400026			
5B14	FD333	-400331			
5C01	FD333	-400331			

AUFA08

CAT. AUFA06-04

1997-01

1930 AUTOMATIC TRANSMISSION CLUTCHES & PLANETARY GEARS (1/2)



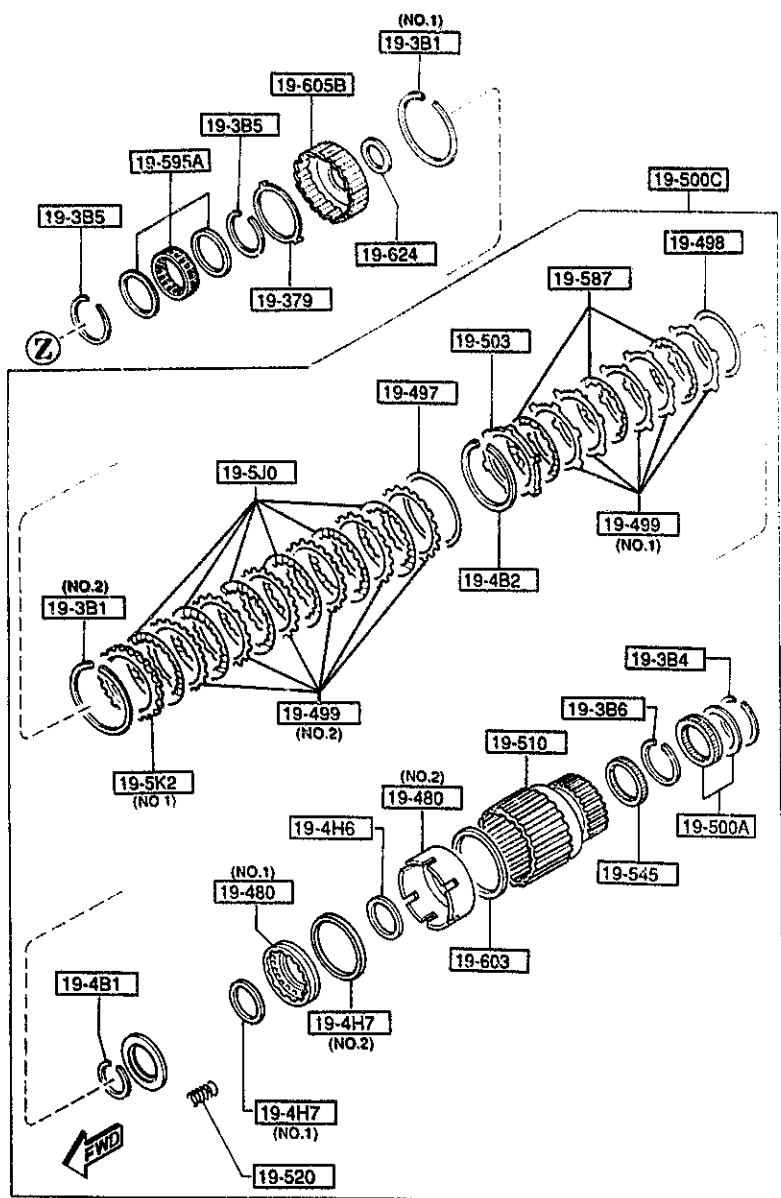
PART NO.	QTY	MODEL/RESTRICTION	MODEL/RESTRICTION	MODEL/RESTRICTION	FROM-TO
19-5D1		DRUM, HIGH CLUTCH			
BV11-19-5D1B	1				
19-5D2		PISTON, HIGH CLUTCH			
BV11-19-5D2	1				
19-5D3		SEAL, LATHE CUT			
BV11-19-5D3	1				
19-5D4		SEAL, LATHE CUT			
BV11-19-5D4	1				
19-5H0		PISTON, REVERSE			
BV11-19-5H0	1				
19-5J0		PLATE, DRIVE			
BV11-19-5J0	6				-5118
BV56-19-5J0	6				5118-
19-5J1		SEAL, OUTER			
BV11-19-5J1	1				
19-5J3		SPRING, RETURN			
BV11-19-5J3	1				
19-5J4		RING, SNAP			
BV11-19-5J4	1				
19-5K2		PLATE, RETAINING			
BV65-19-5K2	1	T=3.4MM (ILLUST. NO. 2)			
BV65-19-5K3	1	T=3.6MM (ILLUST. NO. 2)			
BV65-19-5K4	1	T=3.8MM (ILLUST. NO. 2)			
BV65-19-5K5	1	T=4MM (ILLUST. NO. 2)			
BV65-19-5K6	1	T=4.2MM (ILLUST. NO. 2)			
BV11-19-5K2	1	T=4MM (ILLUST. NO. 1)			-5118
BV11-19-5K3	1	T=4.2MM			
5118 FD333 -400026					

AUFA05

CAT. AUFA06-04

1997-01

1930 AUTOMATIC TRANSMISSION CLUTCHES & PLANETARY GEARS (2/2)



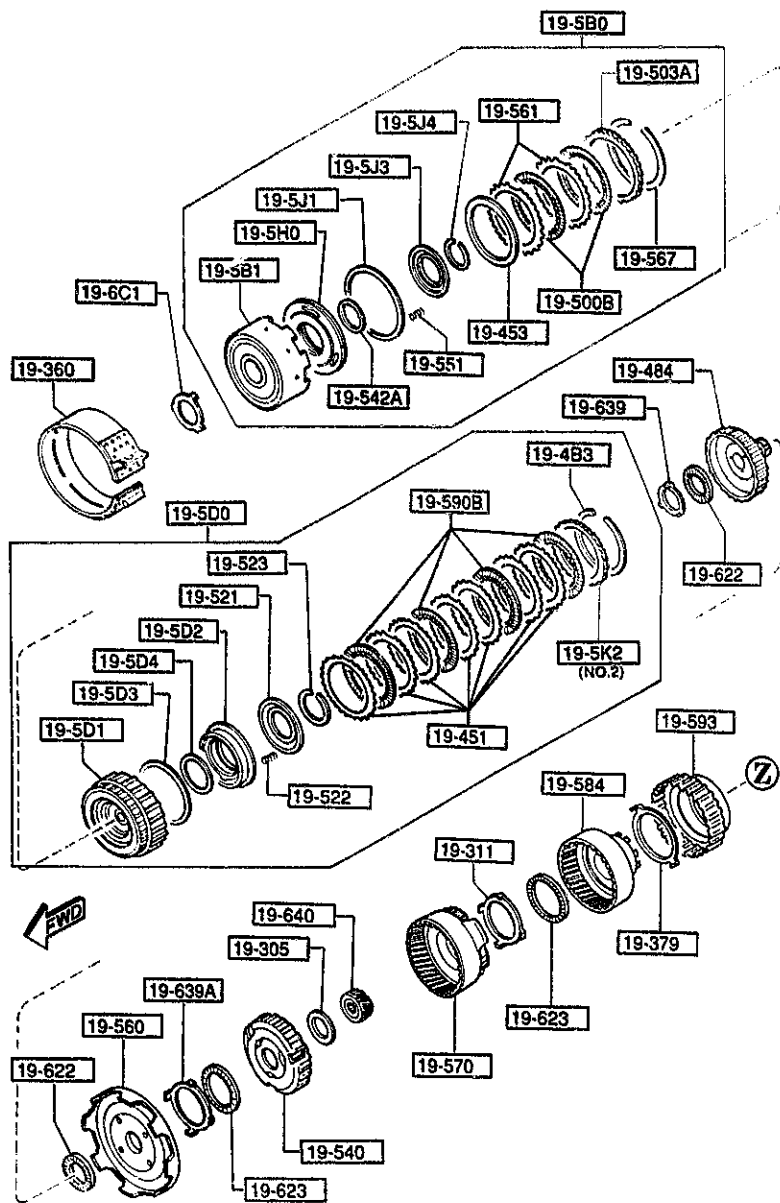
PART NO.	QTY	MODEL/RESTRICTION	MODEL/RESTRICTION	MODEL/RESTRICTION	FROM-TO
CONT'D	1	(ILLUST. NO.1)			-5118
BV11-19-5K4	1	T=4.4MM (ILLUST. NO.1)			-5118
BV11-19-5K5	1	T=4.6MM (ILLUST. NO.1)			-5118
BV11-19-5K6	1	T=4.8MM (ILLUST. NO.1)			-5118
BV11-19-5K7	1	T=5MM (ILLUST. NO.1)			-5118
BV11-19-5K8	1	T=5.2MM (ILLUST. NO.1)			-5118
BV35-19-5K2	1	T=8.0MM (ILLUST. NO.1)			5118-
BV35-19-5K3	1	T=8.2MM (ILLUST. NO.1)			5118-
BV35-19-5K4	1	T=8.4MM (ILLUST. NO.1)			5118-
BV35-19-5K5	1	T=8.6MM (ILLUST. NO.1)			5118-
BV35-19-5K6	1	T=8.8MM (ILLUST. NO.1)			5118-
BV35-19-5K7	1	T=9.0MM (ILLUST. NO.1)			5118-
BV35-19-5K8	1	T=9.2MM (ILLUST. NO.1)			5118-
		+-----+ 19-500A +-----+			
BV11-19-651	1	CLUTCH & ONE WAY			
		+-----+ 19-500B +-----+			
BV11-19-620A AN(BV71-19-620)	2	PLATE, DRIVEN			-4C01
BV71-19-620	2				4C01-
		+-----+ 19-500C +-----+			
BV11-19-500A	1	CLUTCH			-5118
BV12-19-500	1				5118-
		+-----+ 19-503 +-----+			
BV11-19-5K9	1	PLATE, RETAINING			
BV11-19-503	1	T=5.2MM			
BV11-19-504	1	T=4.0MM			
BV11-19-504	1	T=4.2MM			
4C01 FD333 -400022					
5118 FD333 -400026					

AUFA06

CAT. AUFA06-04

1997-01

1930 AUTOMATIC TRANSMISSION CLUTCHES & PLANETARY GEARS (1/2)



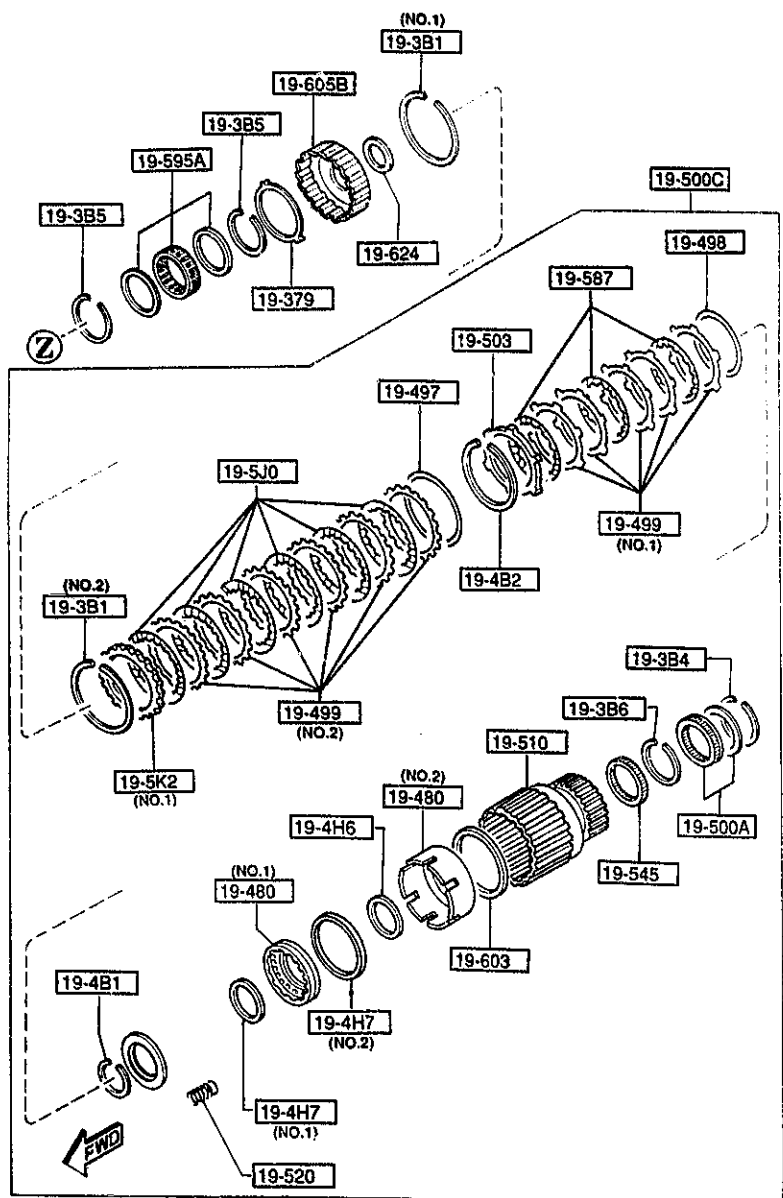
PART NO.	QTY	MODEL/RESTRICTION	MODEL/RESTRICTION	MODEL/RESTRICTION	FROM-TO
CONT'D	1				
BV11-19-505	1	T=4.4MM			
BV11-19-506	1	T=4.6MM			
BV11-19-507	1	T=4.8MM			
BV11-19-508	1	T=5.0MM			
19-503A		PLATE, RETAINING			
BV11-19-454A AN(BV71-19-454)	1	T=4.6MM			-4C01
BV11-19-456A AN(BV71-19-456)	1	T=4.8MM			-4C01
BV11-19-457A	1	T=5MM			-4C01
BV11-19-458A AN(BV71-19-458)	1	T=5.2MM			-4C01
BV11-19-459A AN(BV71-19-459)	1	T=5.4MM			-4C01
BV11-19-572A	1	T=5.6MM			-4C01
BV11-19-573A	1	T=5.8MM			-4C01
BV71-19-454	1	T=4.8MM			4C01-
BV71-19-456	1	T=5.0MM			4C01-
BV71-19-458	1	T=5.3MM			4C01-
BV71-19-459	1	T=5.6MM			4C01-
19-510		CLUTCH, REAR			
BV11-19-510A	1				
19-520		RETAINER, SPRING-CLU. ONE W			
BV11-19-520	1				
19-521		RETAINER			
BV11-19-521	1				
19-522		SPRING			
4C01 FD333 -400022					

AUFA06

CAT. AUFA06-04

1997-01

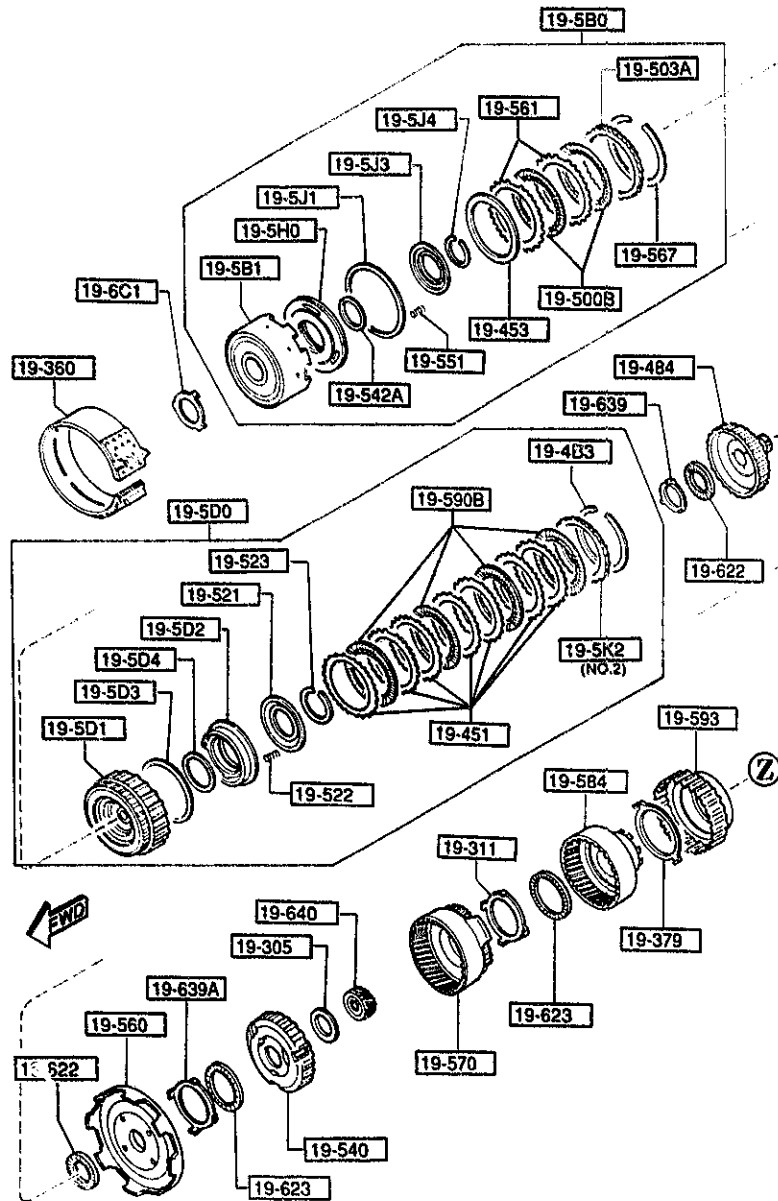
1930 AUTOMATIC TRANSMISSION CLUTCHES & PLANETARY GEARS (2/2)



PART NO.	QTY	MODEL/RESTRICTION	MODEL/RESTRICTION	MODEL/RESTRICTION	FROM-TO
CONT'D					
BV11-19-522	16				
19-523		RING, SNAP			
BV11-19-523	1				
19-540		CARRIER, FRONT			
BV45-19-540	1				-5601
BV57-19-540	1				5601-
19-542A		SEAL, 'O'RING			
BV11-19-542	1				
19-545		BEARING, NEEDLE			
BV56-19-545	1				
19-551		SPRING, PISTON RETAINER			
BV11-19-551	16				
19-560		GEAR, SUN			
BV65-19-560	1				
19-561		PLATE, DRIVEN-REV. PISTON			
BV45-19-561A	2				
19-567		RING, SNAP			
BV11-19-567	1				-5801
BV80-19-3B1	1				5801-
19-570		CARRIER, REAR			
BV46-19-570	1				
19-584		GEAR, INTERNAL			
BV45-19-584	1				
19-587		PLATE			
BV11-19-587	3				
19-590B		PLATE, DRIVE			
BV11-19-590	4				
5601 FD333 -400230					
5801 FD333 -400230					

1930 AUTOMATIC TRANSMISSION CLUTCHES & PLANETARY GEARS (1/2)

1930 -7 AUTOMATIC TRANSMISSION CLUTCHES & PLANETARY GEARS



PART NO.	QTY	MODEL/RESTRICTION	MODEL/RESTRICTION	MODEL/RESTRICTION	FROM-TO
19-593		RACE, OUTER			
BV11-19-593	1				
19-595A		CLUTCH, ONE WAY			
BV11-19-595	1				
19-6C1		RACE, BEARING			
BV11-19-6C1	1	T=0.8MM			
BV11-19-6C2	1	T=1MM			
BV11-19-6C3	1	T=1.2MM			
BV11-19-6C7	1	T=2.0MM			
BV11-19-6C4	1	T=1.4MM			-5801
BV11-19-6C5	1	T=1.6MM			-5801
BV11-19-6C6	1	T=1.8MM			-5801
BV80-19-6C4	1	T=1.4MM			5801-
BV80-19-6C5	1	T=1.6MM			5801-
BV80-19-6C6	1	T=1.8MM			5801-
19-603		SEAL, PISTON			
BV11-19-603	1				
19-605B		HUB			
BV11-19-605	1				
19-622		BEARING, NEEDLE			
0338-19-622	2				
19-623		BEARING, NEEDLE			
BV11-19-307	2				
19-624		BEARING, NEEDLE			
BV55-19-304	1				
5801 FD333 -400230					

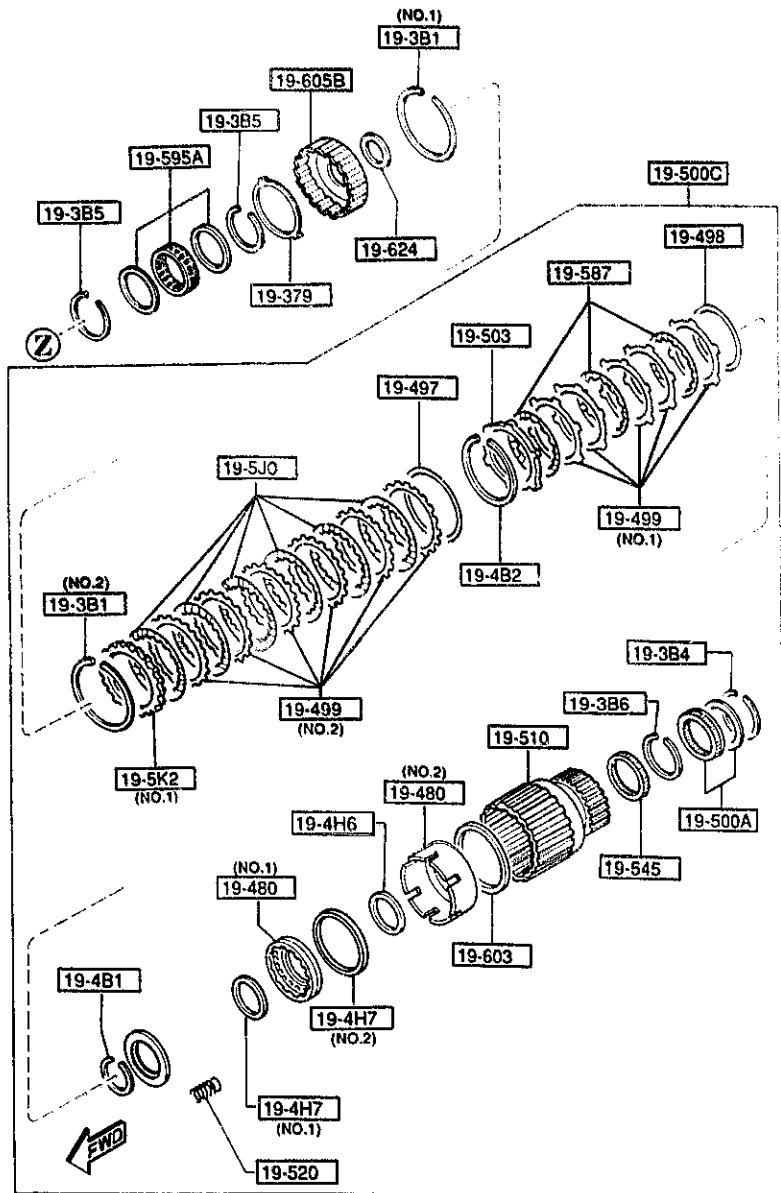
AUFA06

CAT. AUFA06-04

1997-01

1930 -8 * AUTOMATIC TRANSMISSION CLUTCHES & PLANETARY GEARS

1930 AUTOMATIC TRANSMISSION CLUTCHES & PLANETARY GEARS (2/2)



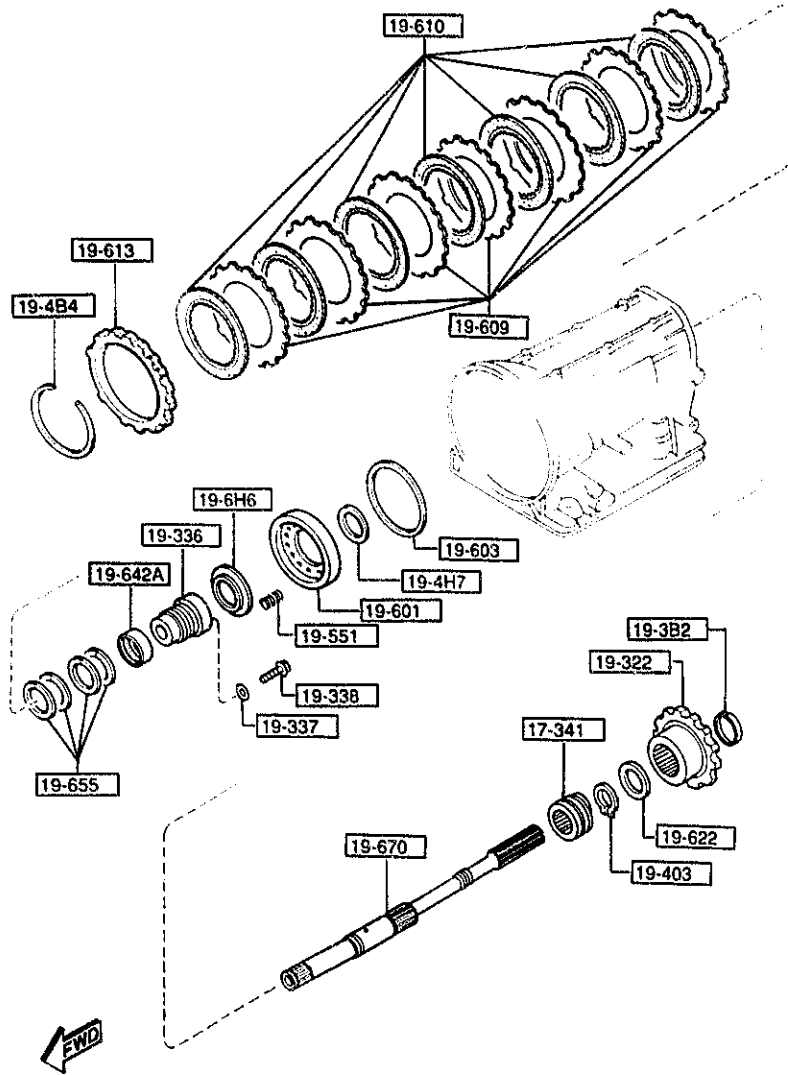
PART NO.	QTY	MODEL/RESTRICTION	MODEL/RESTRICTION	MODEL/RESTRICTION	FROM-TO
19-639		RACE, BEARING			
BV11-19-303	1				
19-639A		RACE, BEARING			
BV11-19-306	1				
19-640		GEAR, SMALL SUN			
BV46-19-6F1	1				

AUFA06

CAT. AUFA06-04

1997-01

1940 AUTOMATIC TRANSMISSION GOVERNOR, LOW & REVERSE PISTON



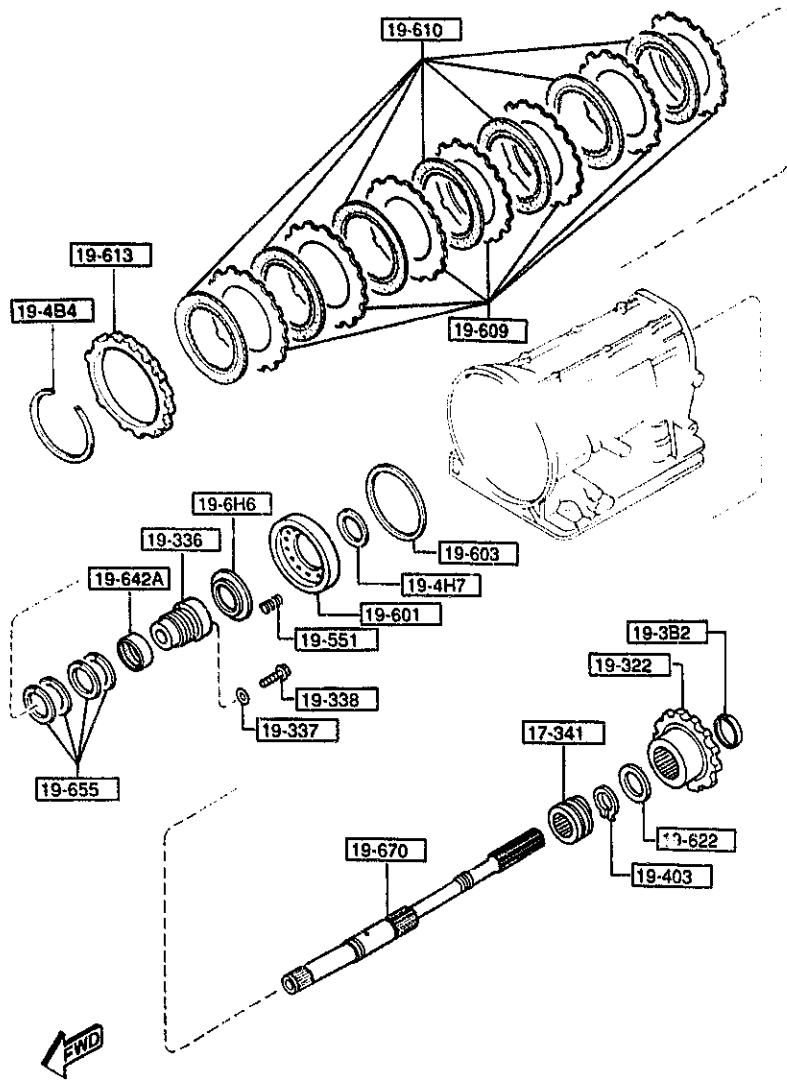
PART NO.	QTY	MODEL/RESTRICTION	MODEL/RESTRICTION	MODEL/RESTRICTION	FROM TO
17-341		GEAR,DRIVE			
BV41-17-341	1				
19-382		RING,SNAP			
BV11-19-382	1				
19-322		GEAR,PARKING			
BV11-19-322	1				
19-336		RACE,INNER			
BV55-19-336	1				
19-337		WASHER,PLAIN			
BV11-19-337	7				-5201
BV45-19-337	7				5201-
19-338		BOLT			
BV11-19-338	7				-5201
19-4B4		RING,SNAP			
BV11-19-4B4	1				
19-4H7		SEAL,PISTON			
BV11-19-4H7	1				-5B14
*BV11-19-4H7A	1				5B14-5C01
BV80-19-4H7	1				5C01-
19-403		RING,SNAP-PISTON STE M LOW			
BV40-19-403	1				
19-551		SPRING,PISTON RETAIN ER			
BV65-19-551	18				
19-6H6		RETAINER,SPRING			
BV65-19-6H6	1				
19-601		PISTON,LOW & REVERSE			
BV65-19-601	1				
19-603		SEAL,PISTON			
5201	FD333	-400026			
5B14	FD333	-400331			
5C01	FD333	-400331			

AUFA06

CAT. AUFA06-04

1997-01

1940 AUTOMATIC TRANSMISSION GOVERNOR, LOW & REVERSE PISTON



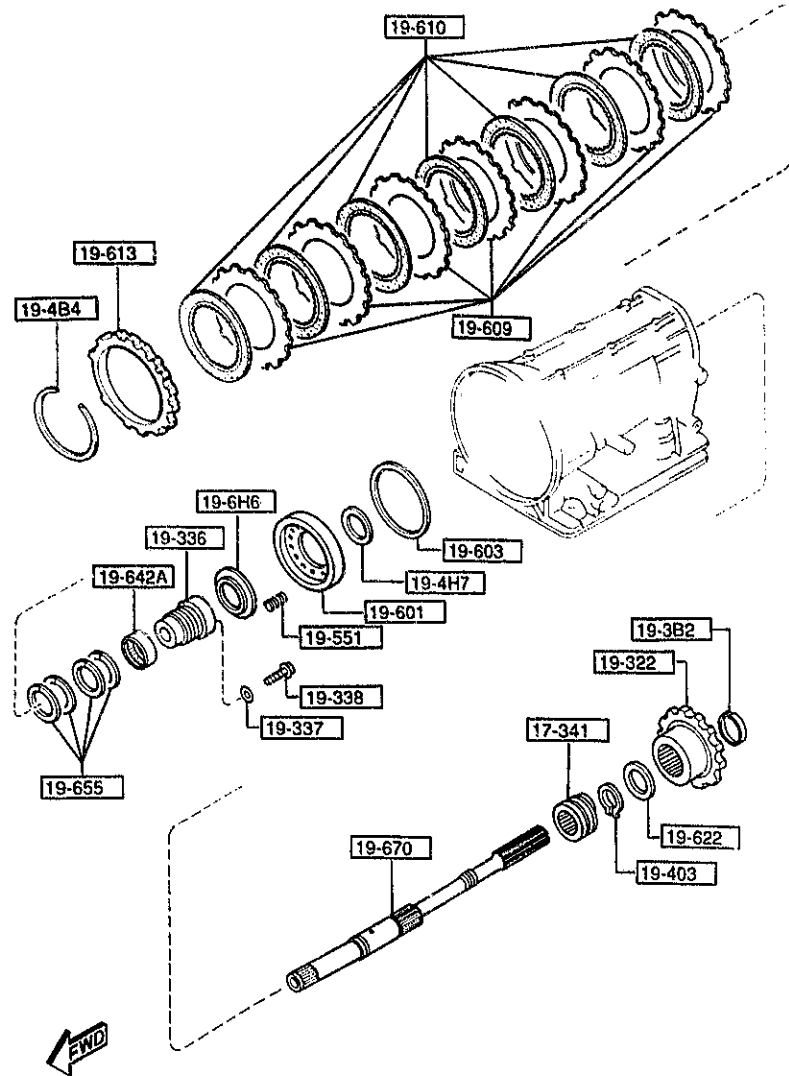
PART NO.	QTY	MODEL/RESTRICTION	MODEL/RESTRICTION	MODEL/RESTRICTION	FROM-TO
CONT'D					
BV11-19-603	1				
┌ 19-609 ─┐		PLATE,DRIVEN			
BV45-19-609	7				
┌ 19-610 ─┐		PLATE,DRIVE			
BV56-19-610	7				
┌ 19-613 ─┐		PLATE,RETAINING			
BV45-19-613	1	T=8.4MM			
BV65-19-613	1	T=8.0MM			
BV66-19-613	1	T=8.2MM			
BV45-19-615	1	T=8.6MM			
BV65-19-615	1	T=7.6MM			
BV11-19-616	1	T=9.0MM			
BV45-19-616	1	T=8.8MM			
BV65-19-616	1	T=7.8MM			
BV65-19-617	1	T=6.8MM			
BV65-19-618	1	T=7.0MM			
BV65-19-623	1	T=7.2MM			
BV65-19-625	1	T=7.4MM			
BV11-19-613	1	T=9.8MM			-5814
BV65-19-628	1	T=6.6MM			-5814
┌ 19-622 ─┐		BEARING,NEEDLE			
BV11-19-622	1				
┌ 19-642A ─┐		WASHER,THRUST			
BV11-19-5F1	1				-5901
BV11-19-324	1				5901-
5901 FD333 -400232 5814 FD333 -400331					

AUFA06

CAT. AUFA06-04

1997-01

1940 AUTOMATIC TRANSMISSION GOVERNOR, LOW & REVERSE PISTON



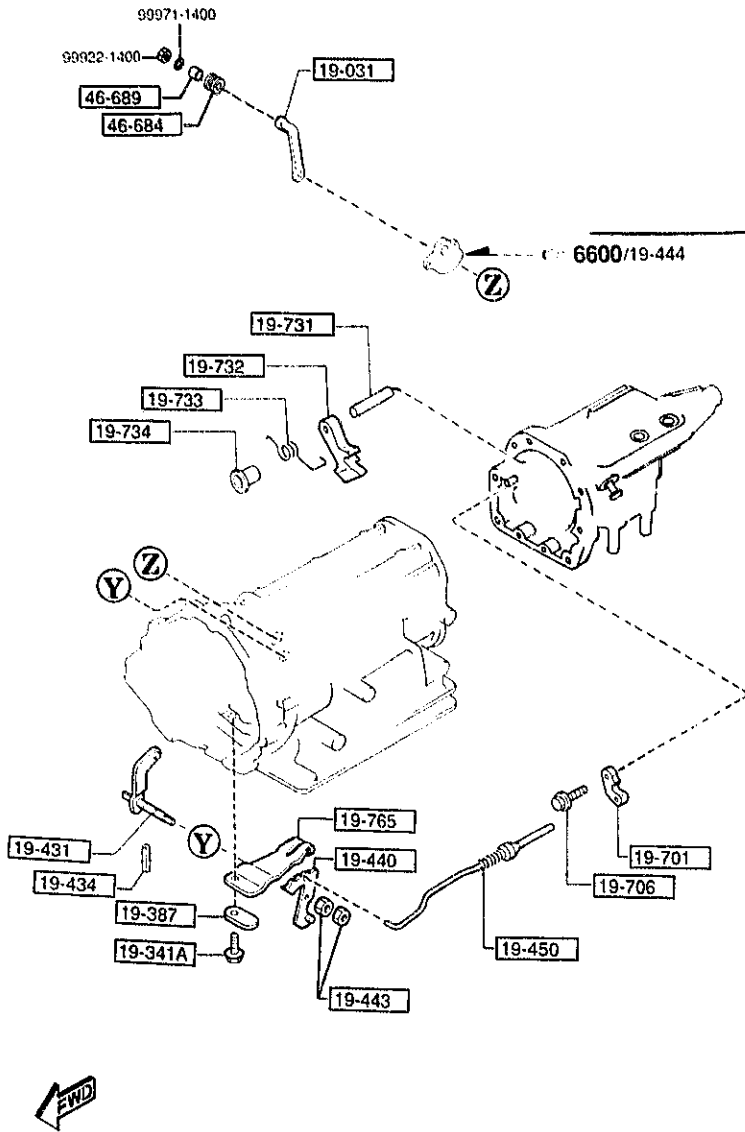
PART NO.	QTY	MODEL/RESTRICTION	MODEL/RESTRICTION	MODEL/RESTRICTION	FROM-TO
19-655		RING, SEAL			
BV11-19-655	4				
19-670		SHAFT			
BV45-19-670	1				

AUFA06

CAT. AUFA06-04

1997-01

1950 AUTOMATIC TRANSMISSION MANUAL LINKAGE SYSTEM



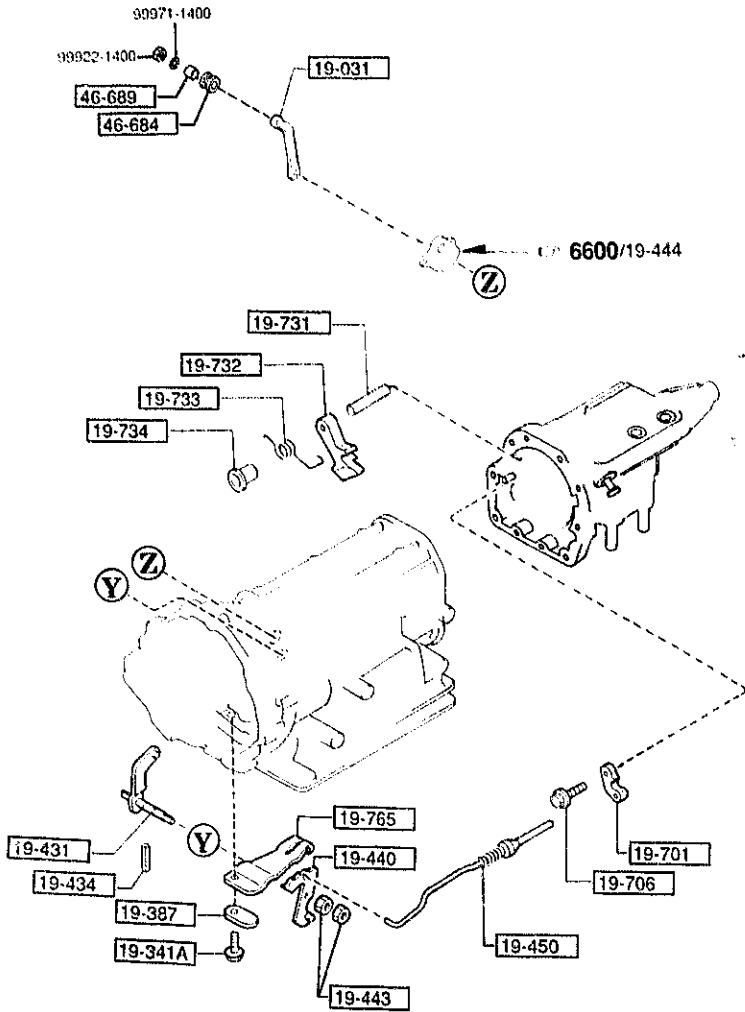
PART NO.	QTY	MODEL/RESTRICTION	MODEL/RESTRICTION	MODEL/RESTRICTION	FROM-TO
19-031		LEVER, SELECT			
BV65-19-030	1				
19-341A		BOLT			
BV11-19-341	1				
19-387		SPACER			
BV11-19-387A	1				
19-431		SHAFT, MANUAL			
BV11-19-431	1				
19-434		PIN			
BV11-19-434	1				
19-440		PLATE, MANUAL			
BV65-19-440	1				
19-443		NUT, SHAFT			
BV45-19-443	2				
19-450		ROD, PARKING			
BV11-19-450	1				
19-701		SUPPORTER, ACTUATOR			
BV12-21-471	1				
19-706		BOLT			
BV11-21-475	2				
19-731		SHAFT, PARKING PAWL			
BV11-21-472	1				
19-732		PAWL, PARKING			
BV11-19-732	1				
19-733		SPRING, PAWL RETURN			
BV11-19-733	1				
19-734		SPACER, DOWEL			
BV11-19-734	1				

AUFA06

CAT. AUFA06-04

1997-01

1950 AUTOMATIC TRANSMISSION MANUAL LINKAGE SYSTEM

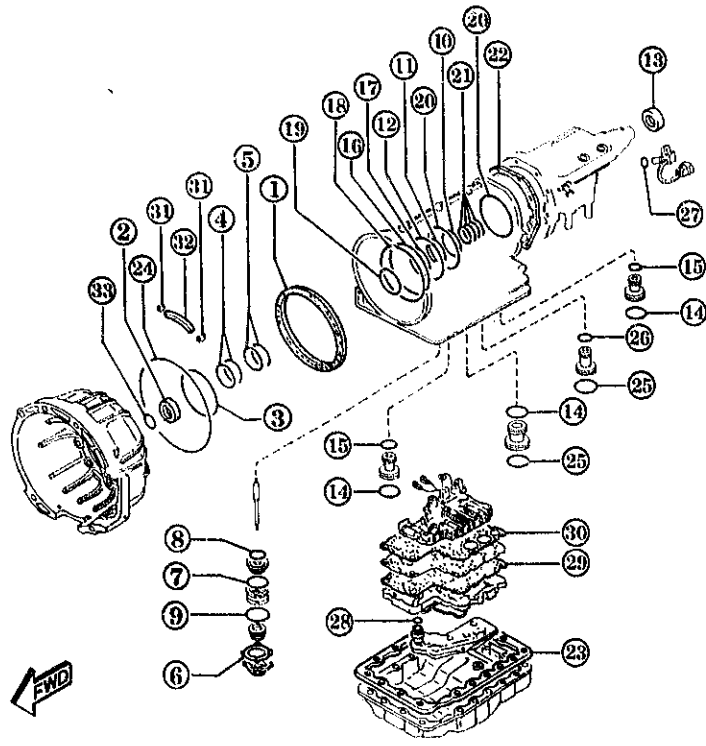


PART NO.	QTY	MODEL/RESTRICTION	MODEL/RESTRICTION	MODEL/RESTRICTION	FROM-TO
19-765		SPRING			
BV65-19-765A	1				
46-684		BUSH			
H380-46-684	1				
46-689		SPACER, CONTROL CABLE			
H380-46-689	1				

1960 AUTOMATIC TRANSMISSION GASKET & SEAL KIT

22-900

- 1-GASKET, OIL PUMP... (1)
- 2-SEAL, OIL... (1)
- 3-RING, SEAL... (1)
- 4-RING, SEAL... (2)
- 5-RING, SEAL... (2)
- 6-GASKET... (1)
- 7-SEAL, PISTON... (1)
- 8-SEAL, PISTON... (1)
- 9-RING, 'O'... (1)
- 10-SEAL, LATHE CUT... (1)
- 11-SEAL, PISTON... (1)
- 12-SEAL, PISTON... (1)
- 13-SEAL, OIL... (1)
- 14-SEAL, 'O' RING... (3)
- 15-RING, 'O'... (2)
- 16-SEAL, LATHE CUT... (1)
- 17-SEAL, LATHE CUT... (1)
- 18-SEAL, OUTER... (1)
- 19-SEAL, 'O' RING... (1)
- 20-SEAL, PISTON... (2)
- 21-RING, SEAL... (4)
- 22-GASKET, EXTENSION... (1)
- 23-GASKET, OIL PAN... (1)
- 24-RING, 'O'... (1)
- 25-RING, 'O'-UP, ACCUM 2ND PIS... (2)
- 26-RING, 'O'-ACCUM CLUTCH... (1)
- 27-RING, 'O'-ACCUM FOR CLUTCH... (1)
- 28-RING, 'O'... (1)
- 29-GASKET, BODY-LWR... (1)
- 30-GASKET, BODY-UPP... (1)
- 31-SEAL, SIDE... (2)
- 32-SEAL, FLANGE... (1)
- 33-RING, 'O'... (1)



PART NO.	QTY	MODEL/RESTRICTION	MODEL/RESTRICTION	MODEL/RESTRICTION	FROM-TO
22-900		GASKET & SEAL KIT			
BV65-22-900	1				-5814
*BV65-22-900B	1				5814-
5814 FD333 -400331					