

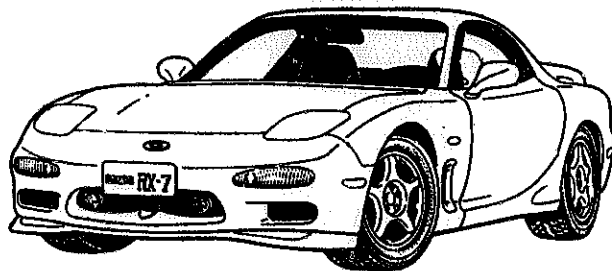
This file is available for free download at <http://www.iluvmyrx7.com>



www.iluvmyrx7.com

Parts Catalog

Mazda RX-7
U.S.A.
(95)



FD333 - 400001-800000

Feb. '97 (FINAL)

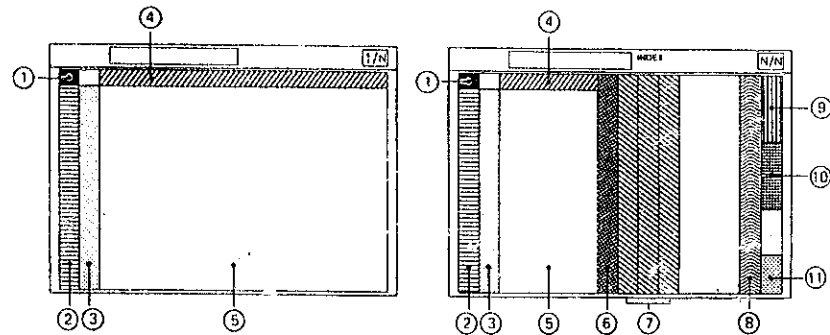
Catalog No. AU-FA08-04

mazda

© 1997 Mazda Motor Corporation

LAYOUT OF CONTENTS / DISPOSITION TYPOGRAPHIQUE DE CONTENU / DISPOSICION DEL CONTENIDO / ANORDNUNG DES INHALTS



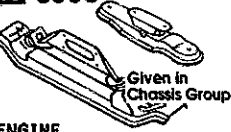
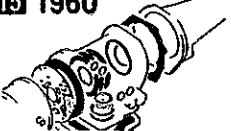
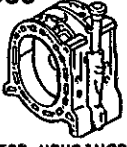




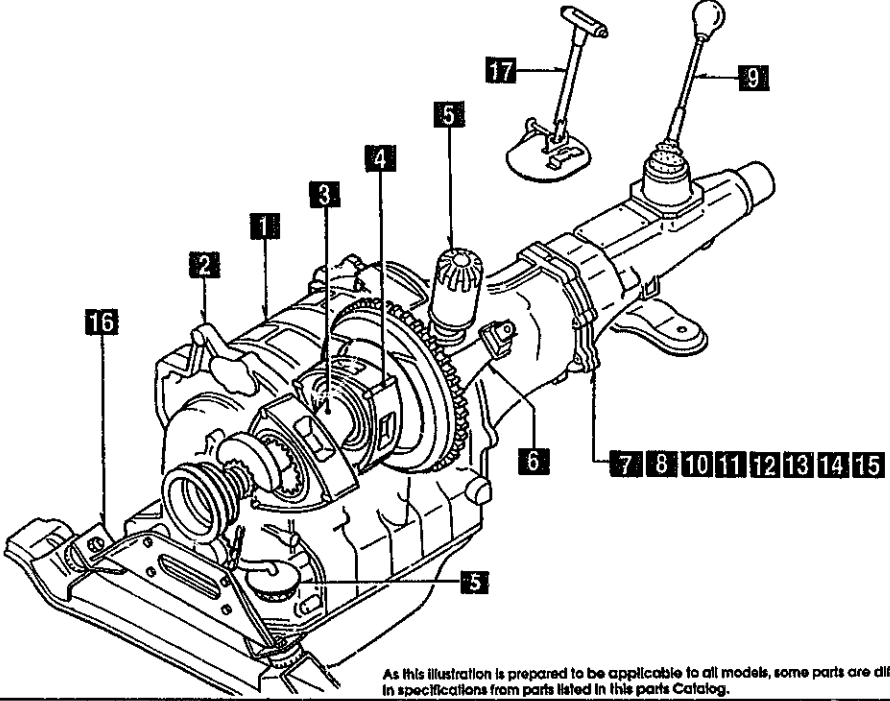
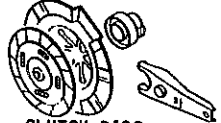
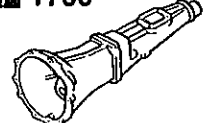

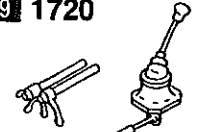
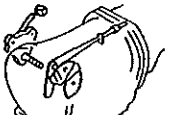
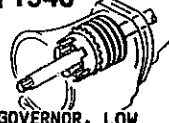


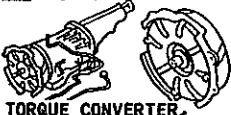
- The following is a typical example of the layout of contents on Mazda microfiche parts catalog.
- Voici un exemple typique de la disposition typographique de contenu dans les microfiches de catalogue des pièces de Mazda.
- El siguiente es un ejemplo típico de la disposición del contenido en una microficha del catálogo de repuestos de Mazda.
- Folgendes ist ein typisches Beispiel der Inhaltsanordnung des Mazda-Mikrofiche-Teilekatalogs.








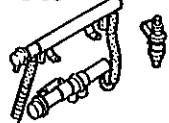
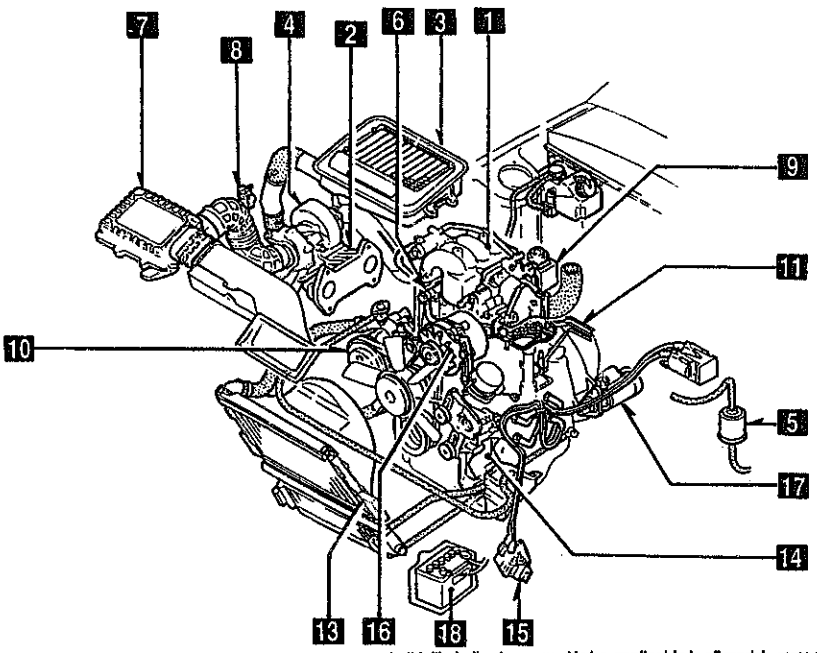
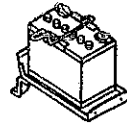
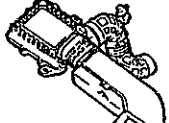
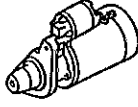

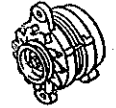
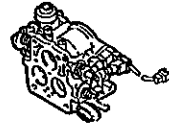
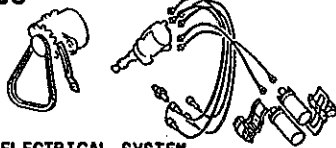
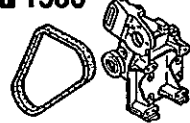
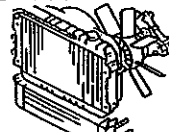
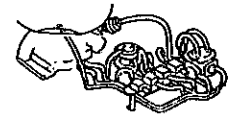
Remark : The items listed under ④ have been deleted from each fiche since Dec. '93

- | | | |
|--|---|---|
| ① • Layout of contents
• Disposition Typographique de Contenu
• Disposición del contenido
• Anordnung des Inhalts | ② • Pictorial Index
• Index par Schémas
• Índice Gráfico
• Illustrierter Index | ③ • Master Section No. Index
• Index des Numéros des Sections Totale
• Índice del Número de la Sección Maestra
• Hauptabschnittsnummer-Index |
| ④ • Section No. Index for the Column
• Index des Numéros des Sections pour les Colonnes
• N° de la Sección para el Índice
• Abschnittsnummer-Index für die Spalte | ⑤ • Illustration & Text
• Illustrations et Textes
• Ilustración y Texto
• Abbildung und Text | ⑥ • Part No. Index
• Index des Numéros des Pièces
• Índice del N° de Pieza
• Teile-Nr.-Index |
| ⑦ • Alphabetical Index
• Index Alphabétique
• Índice Alfabético
• Alphabetischer Index | ⑧ • Model Identification
• Identification des Modèles
• Identificación del Modelo
• Modell-Kennzeichnung | ⑨ • Vehicle Identification System
• Système d'Identification de Véhicule
• Sistema de Identificación de Vehículo
• Fahrzeug-Identifikations-system |

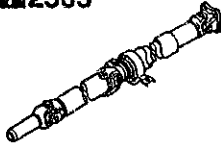
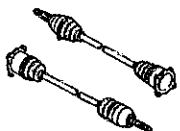



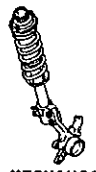


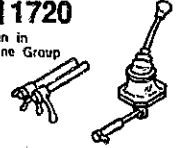
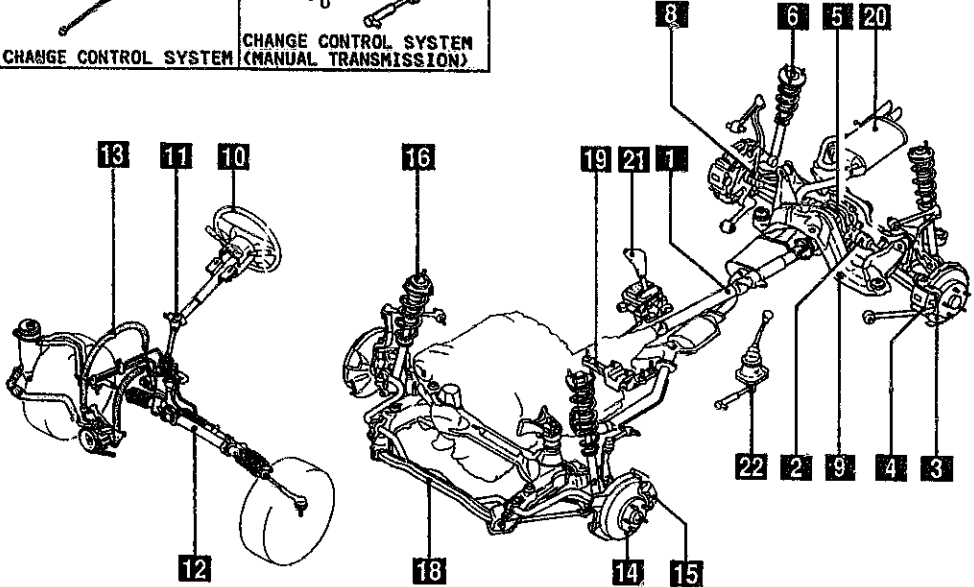
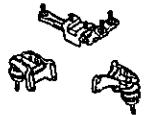
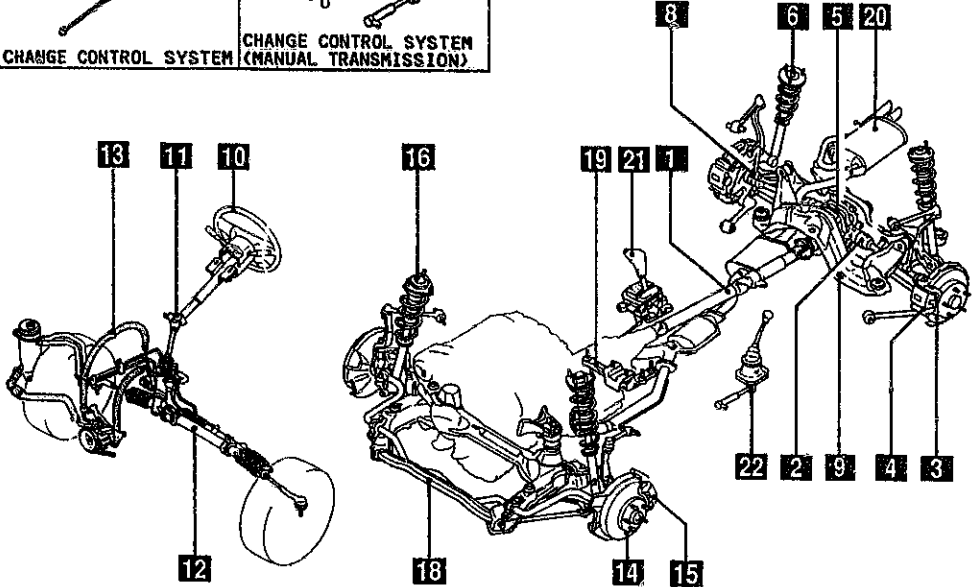

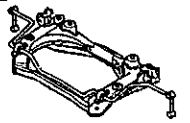
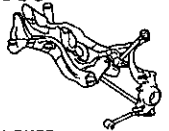




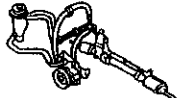
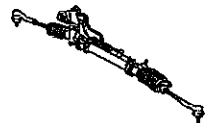

PICTORIAL INDEX

<p>1000</p>  <p style="text-align: center;">ENGINE & GASKET SETS</p> <p>17 4600 Given in Chassis Group</p>  <p style="text-align: center;">CHANGE CONTROL SYSTEM (AT)</p> <p>16 3900 Given in Chassis Group</p>  <p style="text-align: center;">ENGINE & TRANSMISSION MOUNTINGS</p> <p>15 1960</p>  <p style="text-align: center;">GASKET & SEAL KIT (AUTOMATIC)</p>	<p>1 1030</p>  <p style="text-align: center;">ROTOR HOUSINGS</p> <p>2 1040</p>  <p style="text-align: center;">OIL PAN, FRONT & REAR HOUSING</p>	<p>3 1100</p>  <p style="text-align: center;">ECCENTRIC SHAFT & FLYWHEEL</p>	<p>4 1110</p>  <p style="text-align: center;">ROTORS & RELATED PARTS</p>	<p>5 1400</p>  <p style="text-align: center;">OIL PUMP & FILTER</p>
<p>ENGINE (1/2)</p>  <p style="font-size: small; text-align: center;">As this illustration is prepared to be applicable to all models, some parts are different in specifications from parts listed in this parts Catalog.</p>				
<p>6 1600</p>  <p style="text-align: center;">CLUTCH DISC & COVER (MANUAL)</p> <p>7 1700</p>  <p style="text-align: center;">TRANSMISSION CASE (MANUAL)</p> <p>8 1710</p>  <p style="text-align: center;">TRANSMISSION GEARS (MANUAL)</p> <p>9 1720</p>  <p style="text-align: center;">CHANGE CONTROL SYSTEM (MANUAL)</p>				
<p>14 1950</p>  <p style="text-align: center;">MANUAL LINKAGE SYSTEM (AUTOMATIC)</p> <p>13 1940</p>  <p style="text-align: center;">GOVERNOR, LOW & REVERSE PISTON (AUTOMATIC)</p> <p>12 1930</p>  <p style="text-align: center;">CLUTCHES & PLANETARY GEARS (AUTOMATIC)</p> <p>11 1920 & 1925</p>  <p style="text-align: center;">TRANSMISSION CASE & MAIN CONTROL SYSTEM (AUTOMATIC)</p> <p>10 1910</p>  <p style="text-align: center;">TORQUE CONVERTER, OIL PUMP & PIPINGS (AUTOMATIC)</p>				

PICTORIAL INDEX


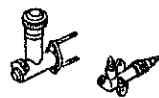



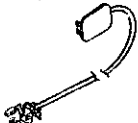
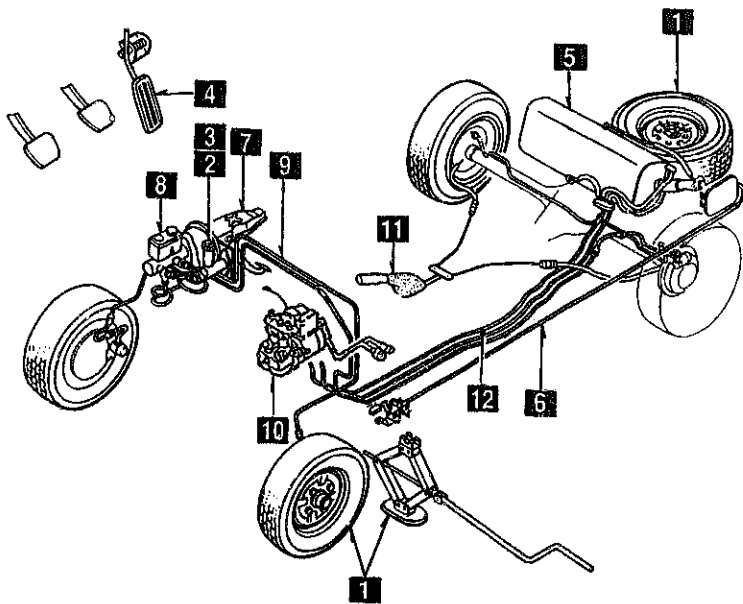
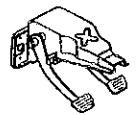
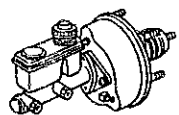

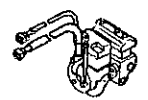
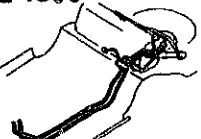

1 1300  INLET MANIFOLD	2 1310  EXHAUST MANIFOLD	3 1311  INTER COOLER	4 1312  TURBO CHARGER	5 1320  FUEL SYSTEM	6 1325  FUEL DISTRIBUTOR
<h3 style="margin: 0;">ENGINE (2/2)</h3> 					
18 1850  BATTERY					7 1330  AIR CLEANER
17 1840  STARTER					8 1313  TWIN TURBO AIR INTAKE SYSTEM
16 1830  ALTERNATOR					9 1364  THROTTLE BODY
As this illustration is prepared to be applicable to all models, some parts are different in specifications from parts listed in this parts Catalog.					
15 1800  ENGINE ELECTRICAL SYSTEM	14 1580  BRACKET, PULLEY & BELT	13 1500  COOLING SYSTEM	12	11 1380  EMISSION CONTROL SYSTEM	

PICTORIAL INDEX

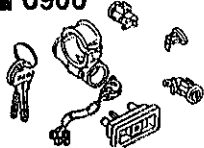

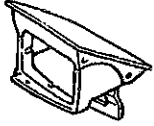
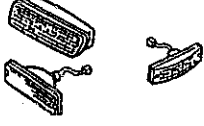
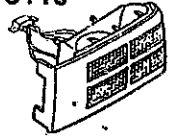
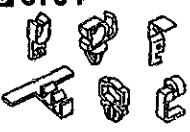
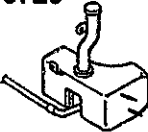
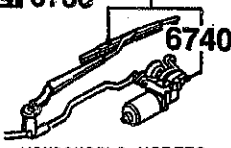
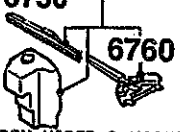
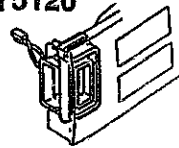

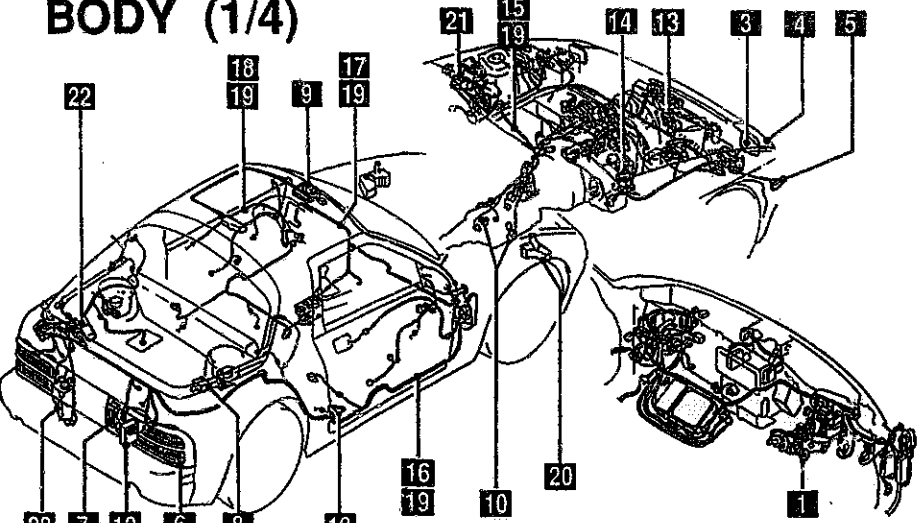
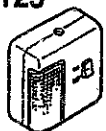
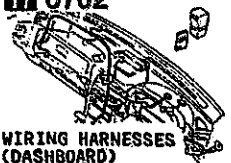





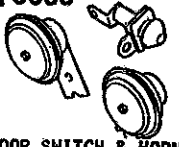

<p>1 2505</p>  <p>REAR PROPELLER SHAFT</p>	<p>2 2550</p>  <p>REAR DRIVE SHAFT</p>	<p>3 2600</p>  <p>REAR AXLE</p>	<p>4 2610</p>  <p>REAR BRAKE MECHANISMS</p>	<p>5 2710</p>  <p>REAR DIFFERENTIALS</p>	<p>6 2800</p>  <p>REAR SUSPENSION MECHANISMS</p>
<p>20 4000</p>  <p>EXHAUST SYSTEM</p>	<p>21 4600</p>  <p>CHANGE CONTROL SYSTEM</p>	<p>22 1720 Given in Engine Group</p>  <p>CHANGE CONTROL SYSTEM (MANUAL TRANSMISSION)</p>	<h3 style="margin: 0;">CHASSIS (1/2)</h3> 		<p>7</p>
<p>19 3900</p>  <p>ENGINE & TRANSMISSION MOUNTINGS</p>				<p>8 2810</p>  <p>REAR STABILIZER</p>	
<p>18 3410</p>  <p>CROSSMEMBER & STABILIZER</p>				<p>9 2830</p>  <p>REAR LOWER ARMS & SUB FRAME</p>	
<p>17</p>				<p>10 3200</p>  <p>STEERING WHEEL</p>	
<p>16 3400</p>  <p>FRONT SUSPENSION MECHANISMS</p>	<p>15 3310</p>  <p>FRONT BRAKE MECHANISMS</p>	<p>14 3300</p>  <p>FRONT AXLE</p>	<p>13 3240</p>  <p>POWER STEERING SYSTEM (FRONT)</p>	<p>12 3220</p>  <p>STEERING GEAR</p>	<p>11 3210</p>  <p>STEERING COLUMN & SHAFTS</p>

As this illustration is prepared to be applicable to all models, some parts are different in specifications from parts listed in this parts Catalog.

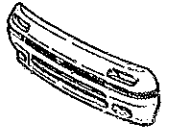








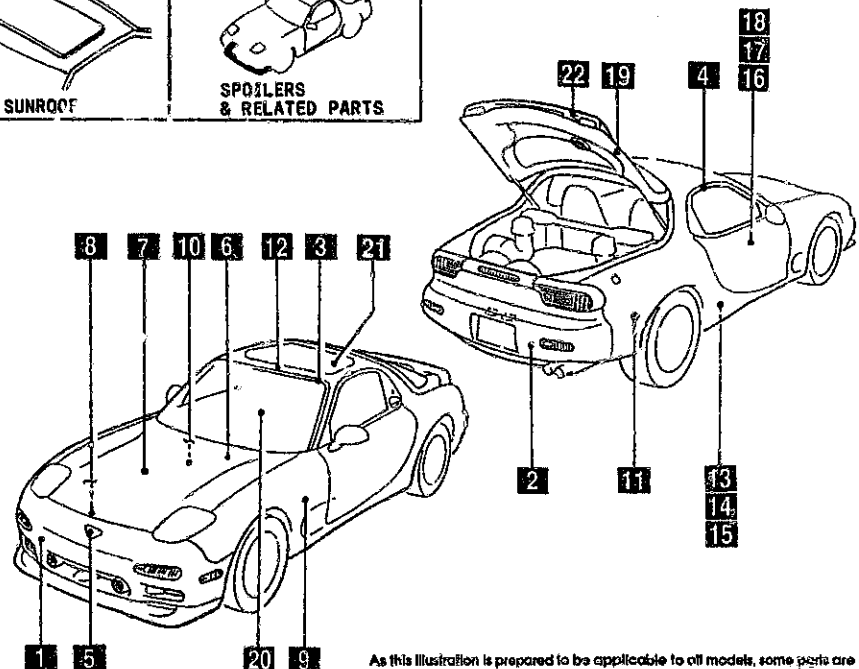


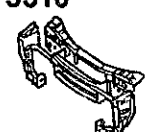






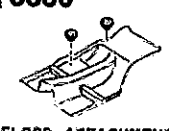


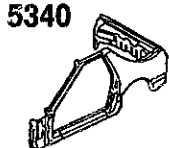
PICTORIAL INDEX

<p>1 3700</p>  <p>TIRES & JACK</p>	<p>2 4140</p>  <p>CLUTCH RELEASE & MASTER CYLINDERS</p>	<p>3 4145</p>  <p>CLUTCH PIPINGS</p>	<p>4 4160</p>  <p>ACCELERATOR CONTROL SYSTEM</p>	<p>5 4200</p>  <p>FUEL TANK</p>	<p>6 4210</p>  <p>FUEL LID OPENER</p>	
<p>CHASSIS (2/2)</p>  <p>As this illustration is prepared to be applicable to all models, some parts are different in specifications from parts listed in this parts Catalog.</p>						
						<p>7 4300</p>  <p>CLUTCH & BRAKE PEDALS</p>
						<p>8 4340</p>  <p>BRAKE MASTER CYLINDER & POWER BRAKE</p>
						<p>9 4360</p>  <p>BRAKE PIPINGS</p>
						<p>10 4370</p>  <p>ANTILOCK BRAKE SYSTEM</p>
						<p>12 4500</p>  <p>FUEL PIPINGS</p>
						<p>11 4400</p>  <p>PARKING BRAKE SYSTEM</p>

PICTORIAL INDEX

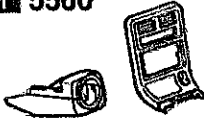
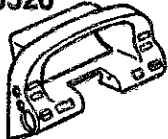
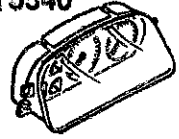
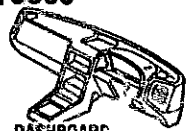
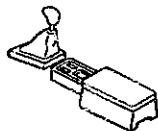




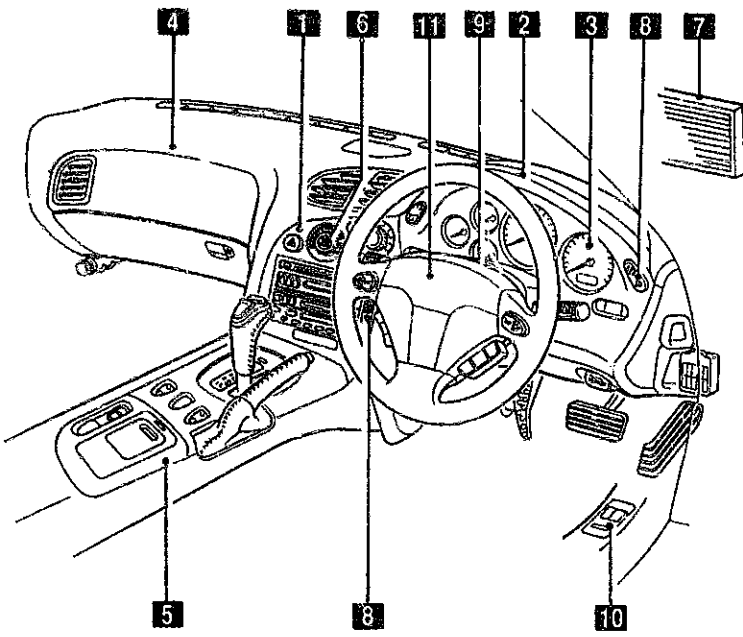

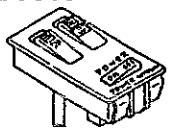

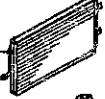



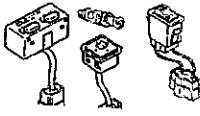
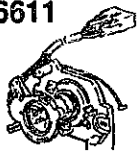
<p>1 0900</p>  <p>KEY SETS</p>	<p>2</p>	<p>3 5100</p>  <p>HEAD LAMPS</p>	<p>4 5103</p>  <p>HEAD LAMP RETRACTORS</p>	<p>5 5105</p>  <p>FRONT COMBINATION LAMPS</p>	<p>6 5110</p>  <p>REAR COMBINATION LAMPS</p>
<p>19 6704</p>  <p>WIRING HARNESS CLAMPS</p>	<p>20 6720</p>  <p>WINDSHIELD WASHER</p>	<p>21 6730</p>  <p>WINDSHIELD WIPERS</p>	<p>22 6750</p>  <p>WINDOW WIPER & WASHER (REAR)</p>	<p>7 5120</p>  <p>LICENSE LAMPS</p>	
<p>18 6703</p>  <p>WIRING HARNESSSES (DOOR, FLOOR/CEILING)</p>	<p>BODY (1/4)</p>  <p style="font-size: small; text-align: center;">As this illustration is prepared to be applicable to all models, some parts are different in specifications from parts listed in this parts Catalog.</p>				<p>8 5125</p>  <p>INTERIOR LAMPS</p>
<p>17 6702</p>  <p>WIRING HARNESSSES (DASHBOARD)</p>					<p>9 5130</p>  <p>OVERHEAD CONSOLE</p>
<p>16 6700</p>  <p>WIRING HARNESSSES (FRONT & REAR)</p>					<p>10 6600</p>  <p>SWITCHES & RELAYS (ENGINE)</p>
<p>15 6701</p>  <p>WIRING HARNESSSES (ENGINE & T/MISSION)</p>	<p>14 6640</p>  <p>AUTO CRUISE CONTROL SYSTEM</p>	<p>13 6635</p>  <p>DOOR SWITCH & HORNS</p>	<p>12 6630</p>  <p>RELAYS & UNIT (BODY)</p>	<p>11</p>	

PICTORIAL INDEX

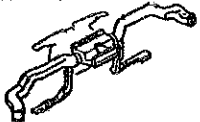


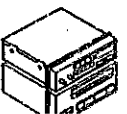
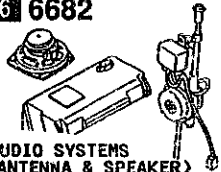
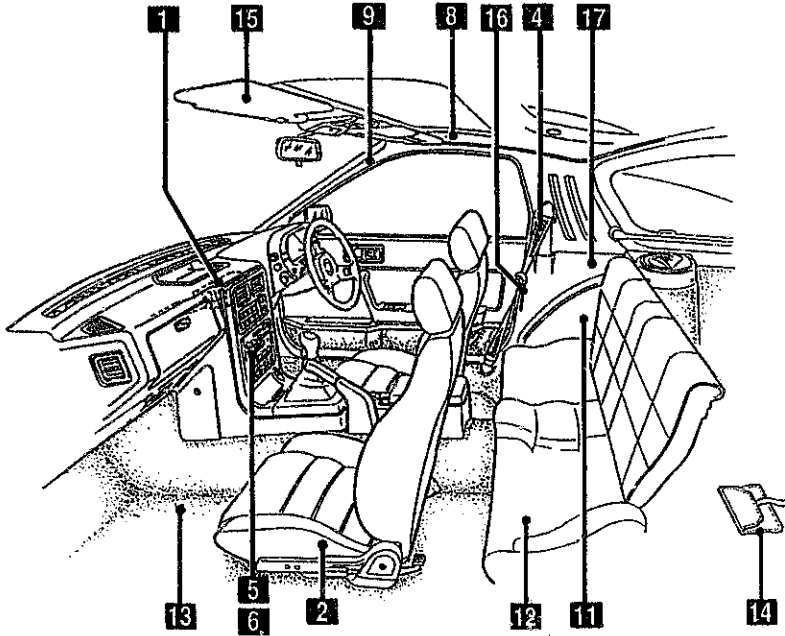



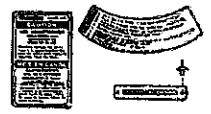

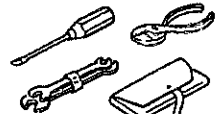
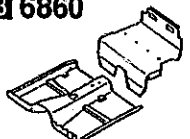
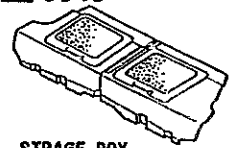
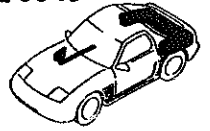
<p>1 5000</p>  <p style="text-align: center;">FRONT BUMPER</p>	<p>2 5010</p>  <p style="text-align: center;">REAR BUMPER</p>	<p>3 5030</p>  <p style="text-align: center;">WINDOW MOULDINGS</p>	<p>4 5040</p>  <p style="text-align: center;">BODY MOULDINGS</p>	<p>5 5170</p>  <p style="text-align: center;">ORNAMENTS</p>	<p>6 5180</p>  <p style="text-align: center;">COWL & EXTRACTOR GRILLES</p>
<p>20 6300</p>  <p style="text-align: center;">WINDOW GLASSES</p>	<p>21 6330</p>  <p style="text-align: center;">SUNROOF</p>	<p>22 7800</p>  <p style="text-align: center;">SPOILERS & RELATED PARTS</p>	<p>BODY (2/4)</p> 		<p>7 5230</p>  <p style="text-align: center;">BONNET</p>
<p>19 6230</p>  <p style="text-align: center;">LIFT GATE MECHANISMS</p>	<p>8 7 10 6 12 3 21</p> <p>1 5 20 9</p>			<p>8 5310</p>  <p style="text-align: center;">FRONT PANELS</p>	
<p>18 5840</p>  <p style="text-align: center;">FRONT DOOR TRIMS & RELATED PARTS</p>				<p>9 5320</p>  <p style="text-align: center;">FENDER & WHEEL APRON PANELS</p>	
<p>17 5830</p>  <p style="text-align: center;">FRONT DOOR MECHANISMS</p>				<p>10 5330</p>  <p style="text-align: center;">DASH & COWL PANELS</p>	
<p>16 5800</p>  <p style="text-align: center;">FRONT DOORS</p>	<p>15 5390</p>  <p style="text-align: center;">FLOOR ATTACHMENTS</p>	<p>14 5380</p>  <p style="text-align: center;">FLOOR ATTACHMENTS (HOLE COVERS)</p>	<p>13 5370</p>  <p style="text-align: center;">FLOOR PANELS</p>	<p>12 5360</p>  <p style="text-align: center;">ROOF PANELS</p>	<p>11 5340</p>  <p style="text-align: center;">SIDE PANELS</p>

As this illustration is prepared to be applicable to all models, some parts are different in specifications from parts listed in this parts Catalog.

PICTORIAL INDEX

1 5500  DASHBOARD EQUIPMENTS	2 5520  METER HOOD	3 5540  METER COMPONENTS	4 5560  DASHBOARD & RELATED PARTS	5 5570  CONSOLE	6  6120  6100  6110  6115 HEATER
<h3 style="margin: 0;">BODY (3/4)</h3> 					
<small>As this illustration is prepared to be applicable to all models, some parts are different in specifications from parts listed in this parts Catalog.</small>					
			11 5795  AIR BAG	10 6615  POWER WINDOW SWITCHES	7 6135  6130  6130  6140  6150  AIR CONDITIONER
					8 6610  DASHBOARD SWITCHES
					9 6611  COMBINATION SWITCH

PICTORIAL INDEX

1 5580  VENTILATOR	2 5700  FRONT SEATS		4 5790  SEAT BELTS	5 6680  AUDIO SYSTEMS (RADIO & TAPE DECK)	6 6682  AUDIO SYSTEMS (ANTENNA & SPEAKER)
<h3 style="margin: 0;">BODY (4/4)</h3>  <p style="font-size: small; margin-top: 10px;">As this illustration is prepared to be applicable to all models, some parts are different in specifications from parts listed in this parts Catalog.</p>					
<div style="display: flex; justify-content: space-between;"> <div style="width: 16.6%;"> 17 7250  QUARTER WINDOW & TRIMS </div> <div style="width: 16.6%;"></div> <div style="width: 16.6%; text-align: center; vertical-align: top;"> 7 8 6800  CEILING TRIMS </div> <div style="width: 16.6%; text-align: center; vertical-align: top;"> 9 6820  PILLAR TRIMS </div> <div style="width: 16.6%; text-align: center; vertical-align: top;"> 10 </div> </div>					
16 6930  CAUTION PLATES & LABELS	15 6900  VISORS, ASSIST HANDLES & MIRRORS	14 6870  SERVICE TOOLS	13 6860  FLOOR MATS & PADS	12 6845  STRAGE BOX	11 6840  TRIMS & SCUFF PLATES

SECTION NAME INDEX (ENGINE)

LO.NO	SEC.NO	SECTION NAME	LO.NO	SEC.NO	SECTION NAME	LO.NO	SEC.NO	SECTION NAME
1-C03	1000	ENGINE & GASKET SETS	1-H11	1940	AUTOMATIC TRANSMISSION GOVERNO R, LOW & REVERSE PISTON			
1-D03	1030	ROTOR HOUSING	1-K11	1950	AUTOMATIC TRANSMISSION MANUAL LINKAGE SYSTEM			
1-G03	1040	OIL PAN, FRONT & REAR HOUSING	1-M11	1960	AUTOMATIC TRANSMISSION GASKET & SEAL KIT			
1-I03	1100	ECCENTRIC SHAFT & FLYWHEEL						
1-L03	1110	ROTORS & RELATED PARTS						
1-N03	1300	INLET MANIFOLD						
1-C04	1310	EXHAUST MANIFOLD						
1-D04	1311	INTER COOLER						
1-E04	1312	TURBO CHARGER						
1-G04	1313	TWIN TURBO AIR INTAKE SYSTEM						
1-I04	1320	FUEL SYSTEM						
1-K04	1325	FUEL DISTRIBUTOR						
1-M04	1330	AIR CLEANER						
1-D05	1364	THROTTLE BODY						
1-F05	1371	AIR PUMP & AIR CONTROL VALVE						
1-H05	1380	EMISSION CONTROL SYSTEM						
1-D06	1400	OIL PUMP & FILTER						
1-G06	1500	COOLING SYSTEM						
1-N06	1580	BRACKET, PULLEY & BELT						
1-C07	1600	CLUTCH DISC & COVER						
1-E07	1700	MANUAL TRANSMISSION CASE						
1-J07	1710	MANUAL TRANSMISSION GEARS						
1-D08	1720	MANUAL TRANSMISSION CHANGE CON TROL SYSTEM						
1-F08	1800	ENGINE ELECTRICAL SYSTEM						
1-I08	1830	ALTERNATOR						
1-K08	1840	STARTER (MT)						
1-M08	1840 A	STARTER (AT)						
1-C09	1850	BATTERY						
1-D09	1910	AUTOMATIC TRANSMISSION TORQUE CONVERTER, OIL PUMP & PIPINGS						
1-I09	1920	AUTOMATIC TRANSMISSION CASE & MAIN CONTROL SYSTEM						
1-C10	1925	AUTOMATIC TRANSMISSION CONTROL VALVE						
1-K10	1930	AUTOMATIC TRANSMISSION CLUTCHE S & PLANETARY GEARS						

CATLOG-NO= AUFAD6-04

DATE. 1997-01

PAGE. 1

SECTION NAME INDEX (CHASSIS)

LO.NO	SEC.NO	SECTION NAME	LO.NO	SEC.NO	SECTION NAME	LO.NO	SEC.NO	SECTION NAME
2-C03	2505	REAR PROPELLER SHAFT						
2-D03	2550	REAR DRIVE SHAFT						
2-E03	2600	REAR AXLE						
2-G03	2610	REAR BRAKE MECHANISMS						
2-J03	2710	REAR DIFFERENTIALS						
2-N03	2800	REAR SUSPENSION MECHANISMS						
2-C04	2810	REAR STABILIZER						
2-D04	2830	REAR LOWER ARMS & SUB FRAME						
2-G04	3200	STEERING WHEEL						
2-H04	3210	STEERING COLUMN & SHAFTS						
2-I04	3220	STEERING GEAR						
2-K04	3240	POWER STEERING SYSTEM						
2-N04	3300	FRONT AXLE						
2-N04	3310	FRONT BRAKE MECHANISMS						
2-C05	3400	FRONT SUSPENSION MECHANISMS						
2-F05	3410	CROSSMEMBER & STABILIZER						
2-G05	3700	TIRES & JACK						
2-C06	3900	ENGINE & T/MISSION MOUNTINGS						
2-D06	4000	EXHAUST SYSTEM						
2-G06	4140	CLUTCH RELEASE & MASTER CYLINDERS (MANUAL TRANSMISSION)						
2-I06	4145	CLUTCH PIPINGS (MANUAL TRANSMISSION)						
2-J06	4160	ACCELERATOR CONTROL SYSTEM						
2-K06	4200	FUEL TANK						
2-C07	4210	FUEL LID OPENER						
2-D07	4300	CLUTCH & BRAKE PEDALS (MANUAL TRANSMISSION)						
2-F07	4300A	BRAKE PEDALS (AUTOMATIC TRANSMISSION)						
2-G07	4340	BRAKE MASTER CYLINDER & POWER BRAKE						
2-I07	4360	BRAKE PIPINGS						
2-L07	4370	ANTILOCK BRAKE SYSTEM						
2-N07	4400	PARKING BRAKE SYSTEM						
2-C08	4500	FUEL PIPINGS						
2-F08	4600	CHANGE CONTROL SYSTEM (AT)						

CATLOG-NO= AUF006-04

DATE. 1997-01

PAGE. 2

SECTION NAME INDEX (BODY)

LO.NO	SEC.NO	SECTION NAME	LO.NO	SEC.NO	SECTION NAME	LO.NO	SEC.NO	SECTION NAME
2-C10	0900	KEY SETS	2-L16	5840	FRONT DOOR TRIMS & RELATED PARTS	3-K07	6704	WIRING HARNESS CLAMPS
2-E10	5000	FRONT BUMPER	3-C03	6100	HEATER	3-L07	6720	WINDSHIELD WASHER
2-H10	5010	REAR BUMPER	3-D03	6110	HEATER UNIT COMPONENTS	3-N07	6730	WINDSHIELD WIPERS
2-J10	5030	WINDOW MOULDINGS	3-E03	6115	HEATER CONTROLS COMPONENTS	3-D08	6740	WIPER MOTOR COMPONENTS (FRONT)
2-K10	5040	BODY MOULDINGS	3-F03	6120	HEATER BLOWER COMPONENTS	3-E08	6750	WINDOW WIPER & WASHER (REAR)
2-L10	5100	HEAD LAMPS	3-G03	6130	AIR CONDITIONER (DENSO MAKE)	3-H08	6760	WINDOW WIPER MOTOR COMPONENTS (REAR)
2-N10	5103	HEAD LAMP RETRACTORS	3-J03	6130A	AIR CONDITIONER (MANA MAKE)	3-I08	6800	CEILING TRIMS
2-D11	5105	FRONT COMBINATION LAMPS	3-M03	6135	AIR CONDITIONING COOLING PIPE 'O' RING	3-J08	6820	PILLAR TRIMS
2-I11	5110	REAR COMBINATION LAMPS	3-C04	6140	AIR CONDITIONING COMPRESSOR COMPONENTS (DENSO MAKE)	3-K08	6840	TRIMS & SCUFF PLATES
2-N11	5120	LICENSE LAMPS	3-E04	6140A	AIR CONDITIONING COMPRESSOR COMPONENTS (MANA MAKE)	3-N08	6845	STRAGE BOX
2-C12	5125	INTERIOR LAMPS	3-G04	6150	AIR CONDITIONING COOLING UNIT (DENSO MAKE)	3-C09	6860	FLOOR MATS & PADS
2-D12	5130	OVERHEAD CONSOLE	3-H04	6150A	AIR CONDITIONING COOLING UNIT (MANA MAKE)	3-F09	6870	SERVICE TOOLS
2-E12	5170	ORNAMENTS	3-J04	6230	LIFT GATE MECHANISMS	3-G09	6900	SUNVISORS, ASSIST HANDLES & MIRRORS
2-F12	5180	COWL & EXTRACTOR GRILLES	3-M04	6300	WINDOW GLASSES	3-J09	6930	CAUTION PLATES & LABELS
2-H12	5230	BONNET	3-N04	6330	SUNROOF	3-L09	7250	QUARTER WINDOW & TRIMS
2-J12	5310	FRONT PANELS	3-G05	6600	ENGINE SWITCHES & RELAYS	3-N09	7800	SPOILERS & RELATED PARTS
2-K12	5320	FENDER & WHEEL APRON PANELS	3-L05	6610	DASHBOARD SWITCHES			
2-N12	5330	DASH & COWL PANELS	3-M05	6611	COMBINATION SWITCH			
2-C13	5340	SIDE PANELS	3-N05	6615	POWER WINDOW SWITCHES			
2-G13	5360	ROOF PANELS	3-C06	6630	BODY RELAYS & UNIT			
2-H13	5370	FLOOR PANELS	3-E06	6635	DOOR SWITCH & HORNS			
2-J13	5380	FLOOR ATTACHMENTS (HOLE COVERS)	3-F06	6640	AUTO CRUISE CONTROL SYSTEM			
2-L13	5390	FLOOR ATTACHMENTS	3-G06	6680	AUDIO SYSTEMS (RADIO & TAPE DECK)			
2-C14	5500	DASHBOARD EQUIPMENTS	3-J06	6682	AUDIO SYSTEMS (ANTENNA & SPEAKER)			
2-D14	5520	METER HOOD	3-N06	6700	FRONT & REAR WIRING HARNESSSES			
2-E14	5540	METER COMPONENTS	3-F07	6701	ENGINE & TRANSMISSION WIRING HARNESSSES			
2-G14	5560	DASHBOARD & RELATED PARTS	3-H07	6702	DASHBOARD WIRING HARNESSSES			
2-K14	5570	CONSOLE	3-J07	6703	DOOR, FLOOR & CEILING WIRING HARNESSSES			
2-N14	5580	VENTILATOR						
2-C15	5700	FRONT SEATS						
2-D16	5790	SEAT BELTS						
2-E16	5795	AIR BAG						
2-F16	5800	FRONT DOORS						
2-I16	5830	FRONT DOOR MECHANISMS						

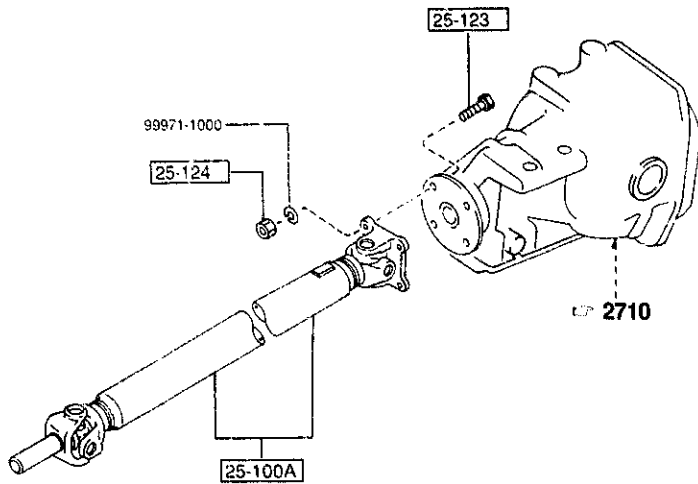
CATLOG-NO= AUF06-04

DATE. 1997-01

PAGE. 3

2505 REAR PROPELLER SHAFT

2505 -1 * REAR PROPELLER SHAFT



PART NO.	QTY	MODEL/RESTRICTION	MODEL/RESTRICTION	MODEL/RESTRICTION	FROM TO
25-100A		SHAFT, PROPELLER			
PF03-25-100	1	(MT)			
PF04-25-100	1	(AT)			
25-123		BOLT			
P011-25-123	4				
25-124		NUT			
1368-25-124	4				



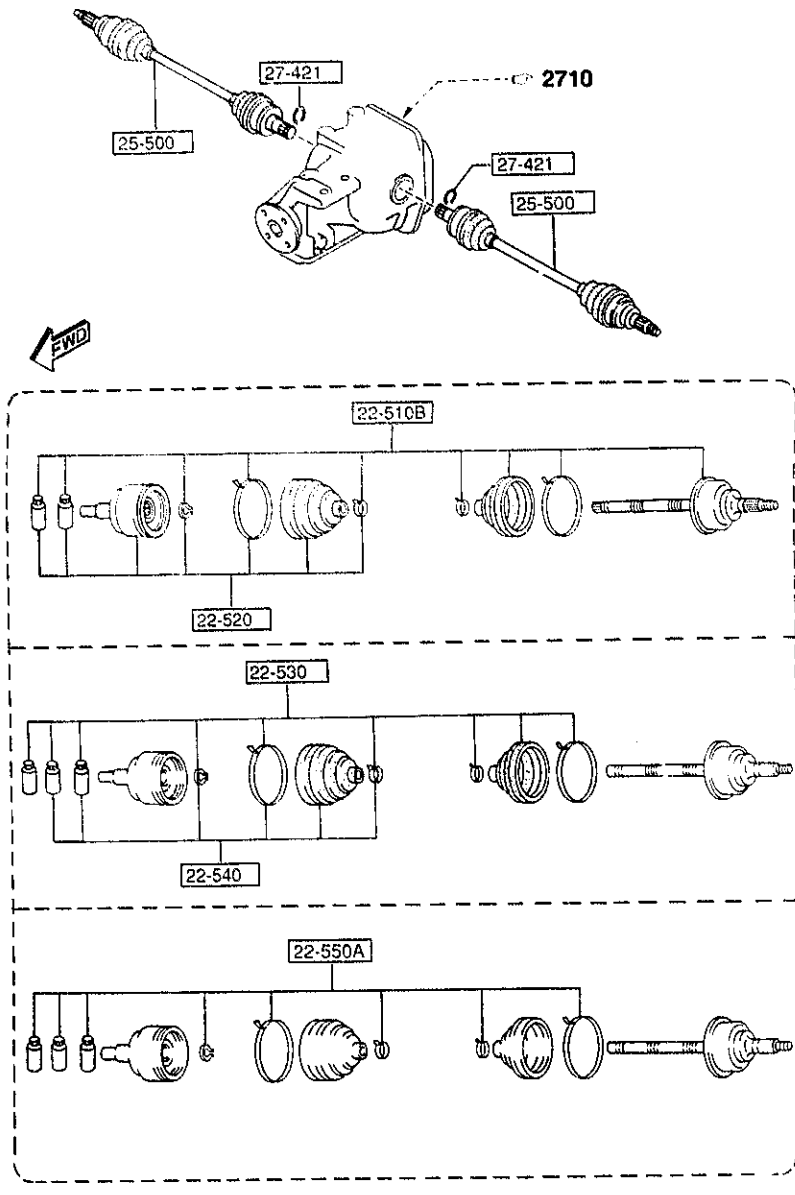
AUFA06

CAT. AUFA06-04

1997-01

2550 -1 * REAR DRIVE SHAFT

2550 REAR DRIVE SHAFT

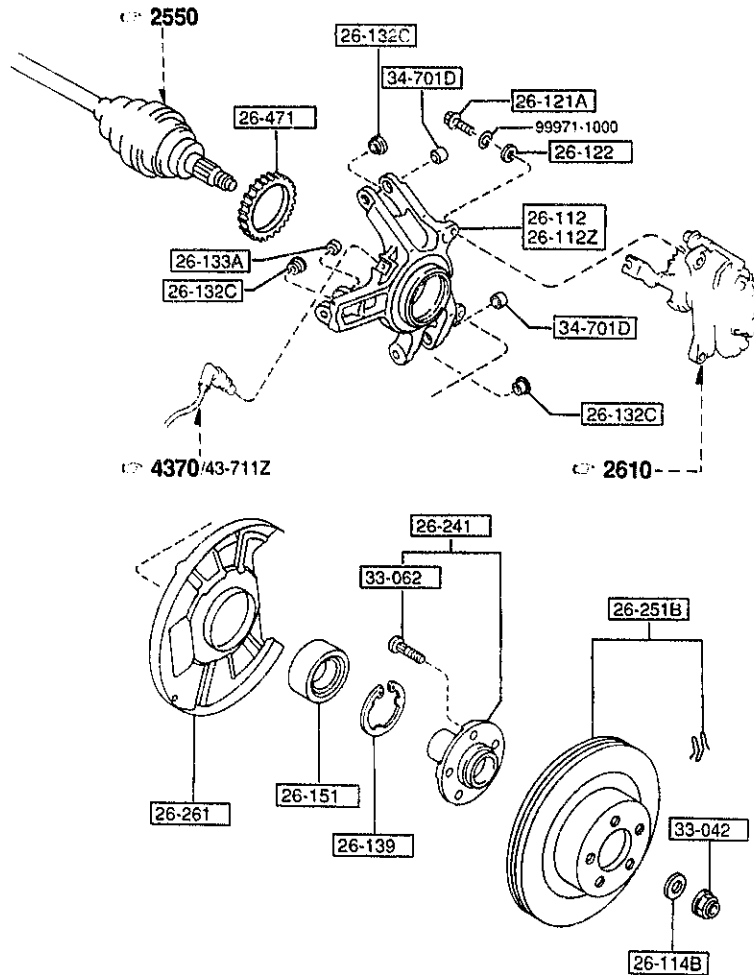


PART NO.	QTY	MODEL/RESTRICTION	MODEL/RESTRICTION	MODEL/RESTRICTION	FROM - TO
22-510B MA10-22-510	2	JOINT SET, OUTER			
22-520 MA10-22-520	2	JOINT SET, INNER			
22-530 MA10-22-530	2	BOOT SET, OUTER JOINT			
22-540 MA10-22-540	2	BOOT SET, INNER JOINT			
22-550A MA10-22-550	2	CLIP SET, DRIVE SHAFT			
25-500 MA10-25-500	2	SHAFT, DRIVE			
27-421 P017-27-421A	2	CLIP			

AUFA06

CAT. AUFA06-04

1997-01



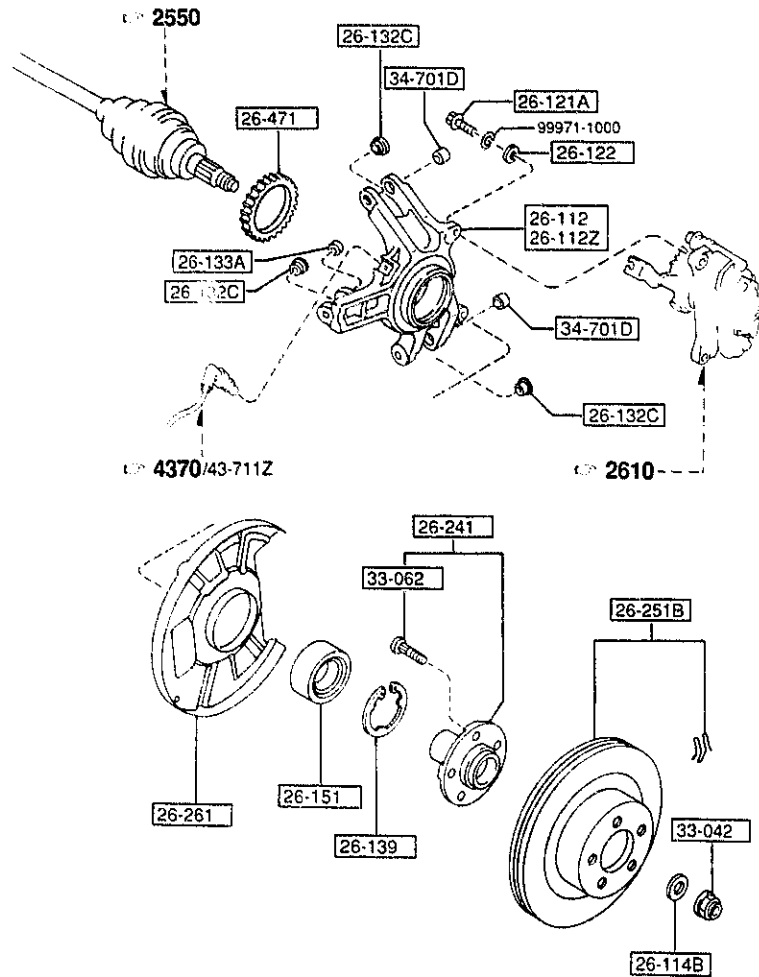
PART NO.	QTY	MODEL/RESTRICTION	MODEL/RESTRICTION	MODEL/RESTRICTION	FROM-TO
26-112		HUB(R),SUPPORT			
FD01-26-112	1				
26-112Z		HUB(L),SUPPORT			
FD01-26-122	1				
26-114B		WASHER,PLAIN			
J001-26-114	2				
26-121A		BOLT,REAR BRAKE			
FB01-26-121A	4				
26-122		WASHER,PLAIN-REAR BRAKE			
FB01-26-122	4				
26-132C		WASHER,SLEEVE-REAR BRAKE			
FD01-26-132A	6				
26-133A		SLEEVE			
FD01-26-133B	2				
26-139		RING,RETAINING			
J001-26-139A	2				
26-151		BEARING,WHEEL			
J001-26-151	2				
26-241		FLANGE,REAR AXLE			
FD04-26-240A (J001-26-240B)	2				
J001-26-240B	2				
26-251B		PLATE,DISC			
FD01-26-25X	2				
26-261		COVER,DUST			
FD01-26-261	2				
26-471		ROTOR,SENSOR-RR A.B.S.			
FD04-26-471	2				

4C01 FD333 -400022

-4C01
4C01-

2600 -2 * REAR AXLE

2600 REAR AXLE



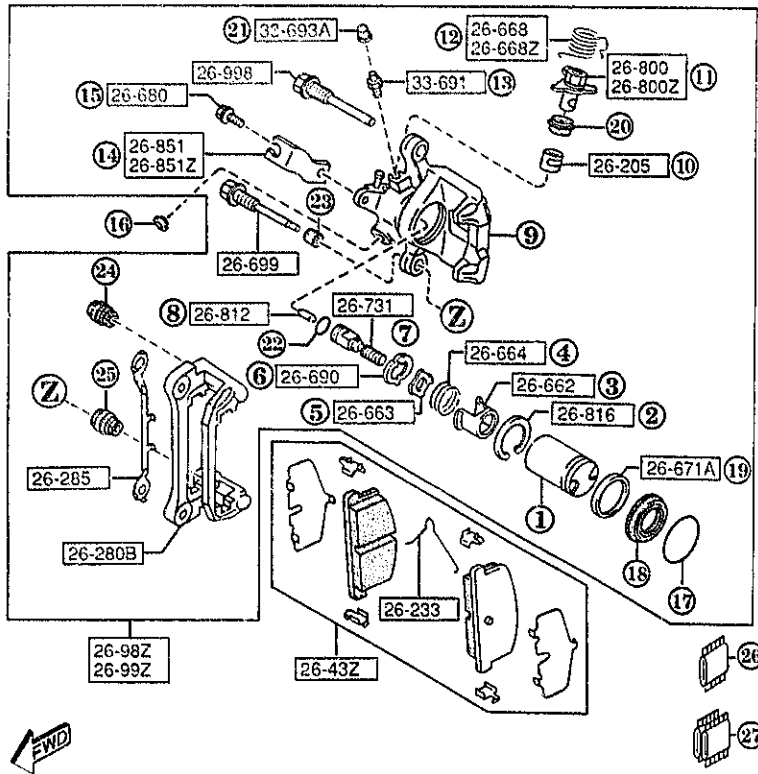
PART NO.	QTY	MODEL/RESTRICTION	MODEL/RESTRICTION	MODEL/RESTRICTION	FROM-10
33-042		NUT			
LA01-33-042B	2				
33-062		BOLT, HUB			
B455-33-062	10				
34-701D		SLEEVE			
FD01-34-701B	4				



AUFA06

CAT. AUFA06-04

1997-01



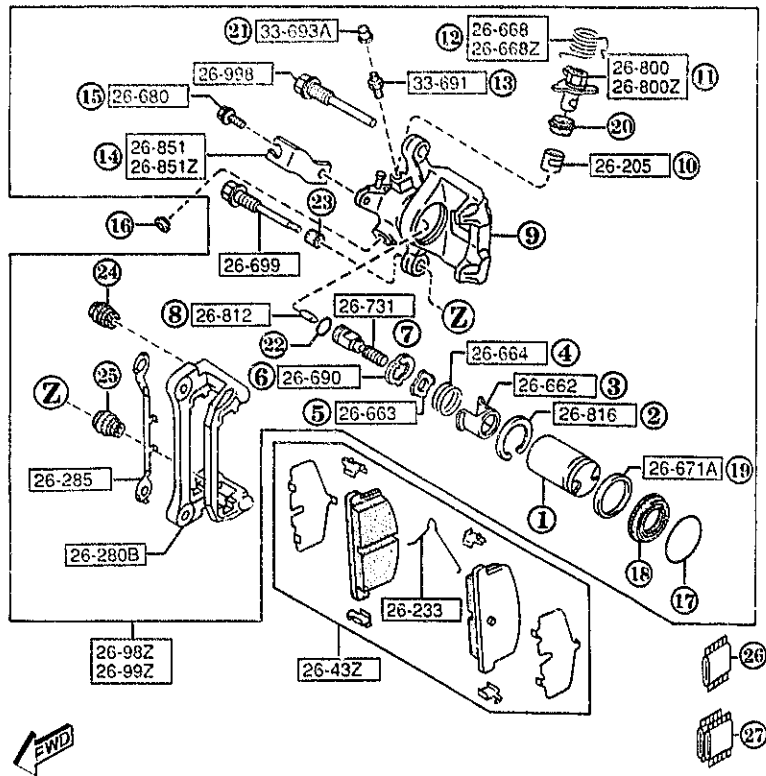
NOTE
 ① ... ②③ ⇨ 26-610
 26-610Z
 THE D-CODE OF 26-610
 26-610Z CONSISTS OF
 FIGURE NUMBERS ① THROUGH ②③.

NOTE
 ①⑦ ... ②⑦ ⇨ 26-46Z
 THE D-CODE OF 26-46Z CONSISTS OF
 FIGURE NUMBERS ①⑦ THROUGH ②⑦.

THOUGH ILLUSTRATIONS OF D-CODE 26-43Z AND 26-46Z
 ARE FOR LEFT SIDE ONLY, QUANTITIES OF THESE D-CODES
 IN THE TEXT ARE FOR ONE VEHICLE.

PART NO.	QTY	MODEL/RESTRICTION	MODEL/RESTRICTION	MODEL/RESTRICTION	FROM-TO
26-205		BEARING			
H001-26-205	2				
26-233		SPRING*V',REAR BRAKE			
FD01-26-233	2				
26-280B		SUPPORT,MOUNTING			
FD01-26-281	2				
26-285		PLATE, GUARD-CALIPER BRAKE			
FD01-26-285A	2				
26-43Z		PAD SET,RR CALIPER NON ASBESTOS			
FDY1-26-43Z AN(FDY1-26-43ZA)	1				
*FDY1-26-43ZA	1				-5C01 5C01-
26-46Z		SEAL & BOOT SET,CAL. -RR			
FDY1-26-46Z	1				
26-610		BODY & PISTON(R),CAL -PER			
FD01-26-61X	1				
26-610Z		BODY & PISTON(L),CAL IPER			
FD01-26-71X	1				
26-662		COVER,CASE			
B462-26-662	2				
26-663		WASHER, SPRING			
B462-26-663	2				
26-664		SPRING			
B462-26-664	2				
26-668		SPRING(R), LEVER			
FD01-26-668	1				
26-668Z		SPRING(L), LEVER			
FD01-26-669	1				

5C01 FD333 -400331



NOTE

① ... ②② ⇒ 26-610
26-610Z

THE D-CODE OF 26-610
26-610Z CONSISTS OF
FIGURE NUMBERS ① THROUGH ②②.

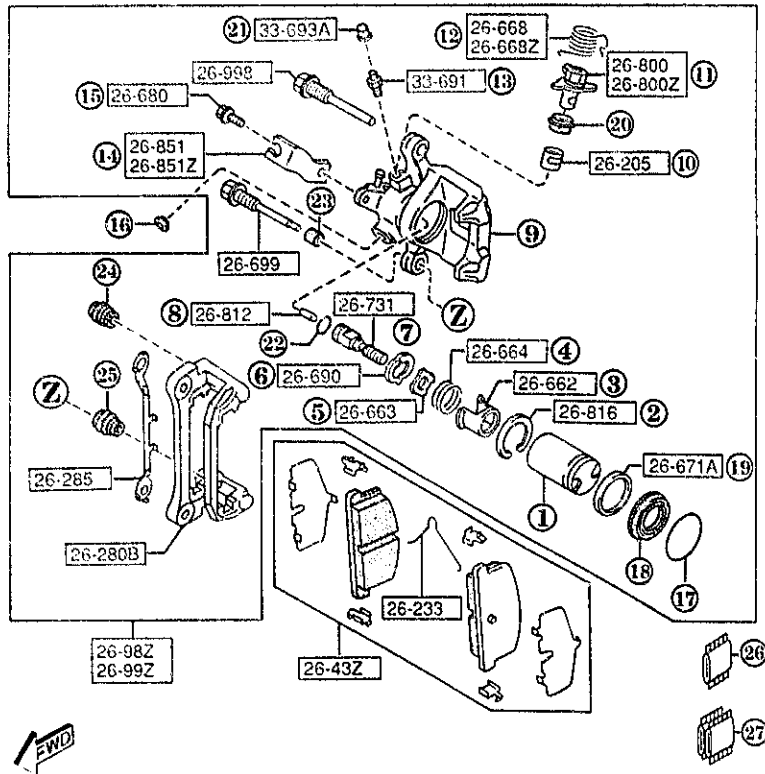
NOTE

①⑦ ... ②⑦ ⇒ 26-46Z

THE D-CODE OF 26-46Z CONSISTS OF
FIGURE NUMBERS ①⑦ THROUGH ②⑦.

THOUGH ILLUSTRATIONS OF D-CODE 26-43Z AND 26-46Z
ARE FOR LEFT SIDE ONLY. QUANTITIES OF THESE D-CODES
IN THE TEXT ARE FOR ONE VEHICLE.

PART NO.	QTY	MODEL/RESTRICTION	MODEL/RESTRICTION	MODEL/RESTRICTION	FROM-TO
26-671A		SEAL, PISTON			
1243-26-671	2				
26-680		BOLT			
FA18-26-680	2				
26-690		STOPPER, CALIPER-RR			
8462-26-694	2				
26-699		PIN, LOCK			
FD01-26-699	2				
26-731		SPINDLE, ADJUSTER			
FD01-26-731	2				
26-800		LEVER(R), OPERATING			
FD01-26-800	1				
26-800Z		LEVER(L), OPERATING			
FD01-26-810	1				
26-812		LINK, CONNECTING			
H001-26-812	2				
26-816		RING, SNAP-RR CALIPER			
GJ25-26-816	2				
26-851		BRACKET(R), CABLE			
FD01-26-851	1				
26-851Z		BRACKET(L), CABLE			
FD01-26-861	1				
26-98Z		CALIPER(R), PADLESS-R			
FD01-26-98Z	1				
26-99Z		CALIPER(L), PADLESS-R			
FD01-26-99Z	1				
26-998		PIN, GUIDE			
FD01-26-998	2				

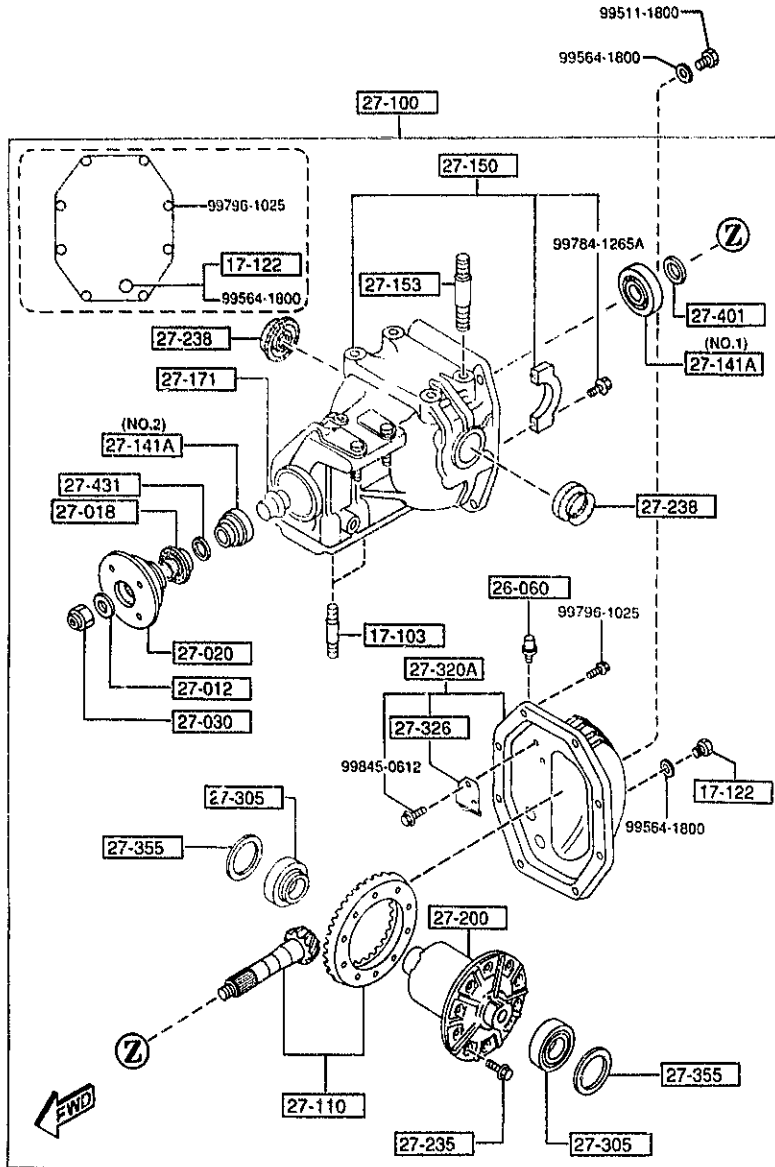


NOTE
 ① ... ②② ⇨ 26-610
 26-610Z
 THE D-CODE OF 26-610
 26-610Z CONSISTS OF
 FIGURE NUMBERS ① THROUGH ②②.

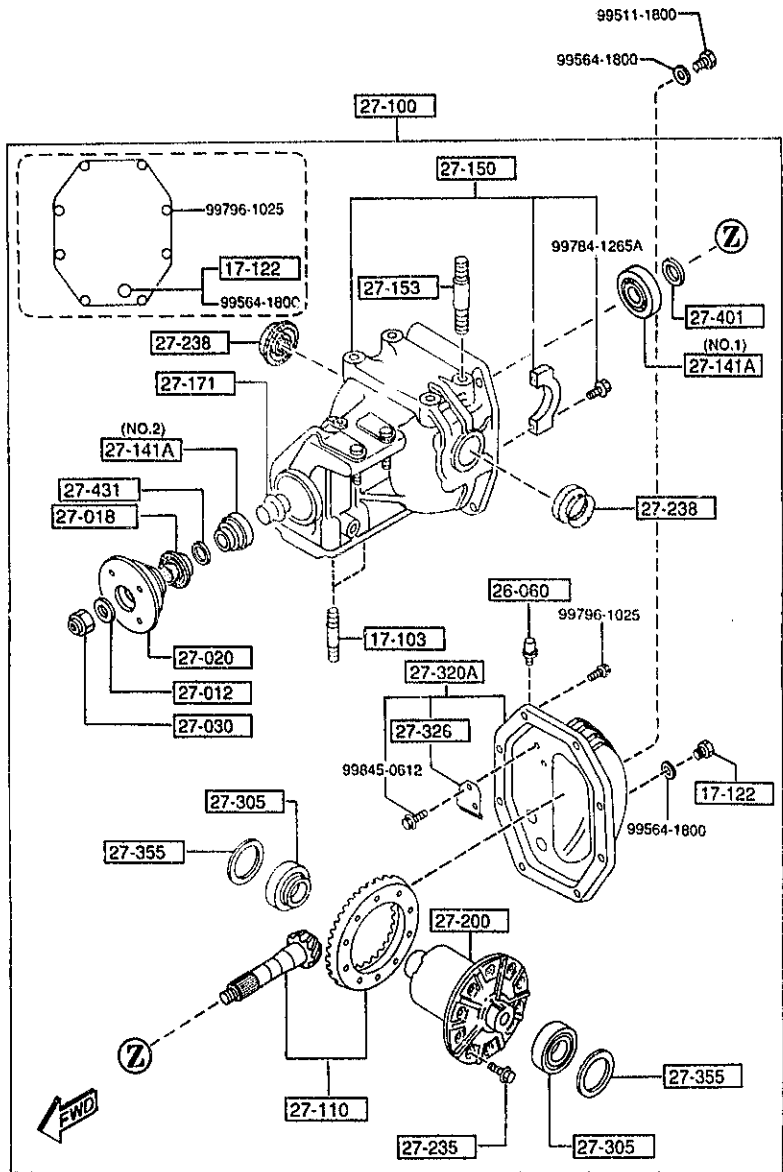
NOTE
 ①⑦ ... ②⑦ ⇨ 26-46Z
 THE D-CODE OF 26-46Z CONSISTS OF
 FIGURE NUMBERS ①⑦ THROUGH ②⑦.

THOUGH ILLUSTRATIONS OF D-CODE 26-43Z AND 26-46Z
 ARE FOR LEFT SIDE ONLY. QUANTITIES OF THESE D-CODES
 IN THE TEXT ARE FOR ONE VEHICLE.

PART NO.	QTY	MODEL/RESTRICTION	MODEL/RESTRICTION	MODEL/RESTRICTION	FROM-TO
33-691		SCREW, BLEEDER			
0233-33-691	2				
33-693A		CAP, BLEEDER SCREW			
1316-33-693	2				



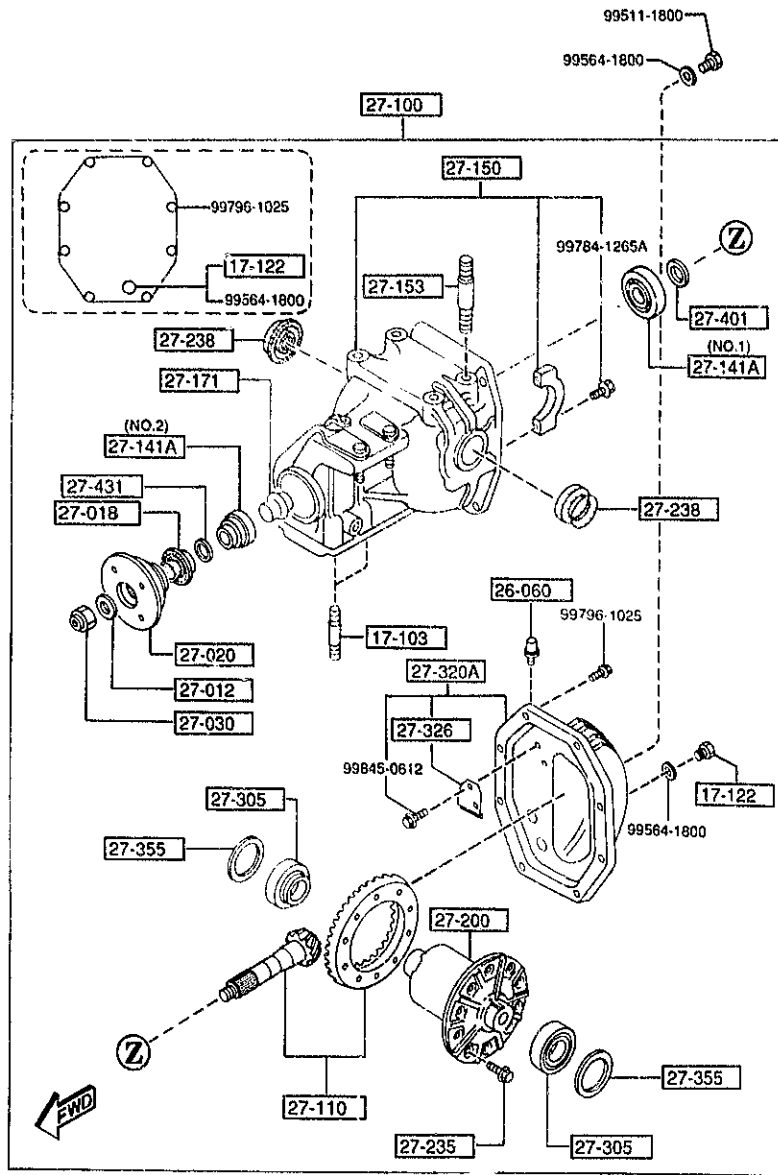
PART NO.	QTY	MODEL/RESTRICTION	MODEL/RESTRICTION	MODEL/RESTRICTION	FRGM-TO
17-103		BOLT			
R526-17-103	2				
17-122		PLUG, MAGNET			
0810-17-121	1				
26-060		BREATHER			
0730-26-060	1				
27-012		WASHER			
0223-27-012	1				
27-018		SEAL, OIL			
R001-27-165	1				-5508
RA02-27-165	1				5508-
27-020		FLANGE, COMPANION			
P044-27-120B	1 (AT)				-5301
P045-27-120A	1 (MT)				-5301
P045-27-120B	1 (MT)				5301-
RA02-27-120	1 (AT)				5301-
27-030		NUT, LOCK			
0223-27-030	1				
27-100		DRIVING & DIFF.			
R010-27-100B	1 (AT)				
R008-27-100C	1 (MT)				-4C01
RM01-27-100	1 (MT)				4C01-
27-110		GEAR SET, FINAL			
P062-27-110	1	R=3.909 (AT)			
P061-27-110		R=4.100 (MT)			
AN(P061-27-110A)	1				-5601
P061-27-110A	1	R=4.100 (MT)			5601-
27-141A		BEARING, PINION			
R001-27-210	1 (ILLUST. NO.1)				
4C01 FD333	-400022				
5301 FD333	-400027				
5508 FD333	-400229				
5601 FD333	-400230				



PART NO.	QTY	MODEL/RESTRICTION	MODEL/RESTRICTION	MODEL/RESTRICTION	FROM-TO
CONT'D					
0604-27-220	1	(ILLUST. NO.2)			
27-150		CARRIER, DIFFERENTIAL			
R005-27-150	1				
27-153		BOLT			
R003-27-153	4				
27-171		PIECE, DISTANCE			
R004-27-171	1				
27-200		DIFFERENTIAL			
P099-27-200E	1	(MT)			
R008-27-200B	1	(AT)			
27-235		BOLT, RING GEAR			
8051-27-235	10	D=10.0MM			
8051-27-236	10	D=10.2MM			
27-238		SEAL, OIL			
P043-27-238	2				
R004-27-238	2				
27-305		BEARING			
O118-27-350A	2				
27-320A		COVER, REAR			
R005-27-320	1				
27-326		PLATE, BAFFLE			
M005-27-326A	1				
27-355		SHIM, ADJUST			
R001-27-355	2	T=5.5MM			
R001-27-356	2	T=5.6MM			
R001-27-357	2	T=5.65MM			
R001-27-358	2	T=5.7MM			
4C01 FD333 -400022					

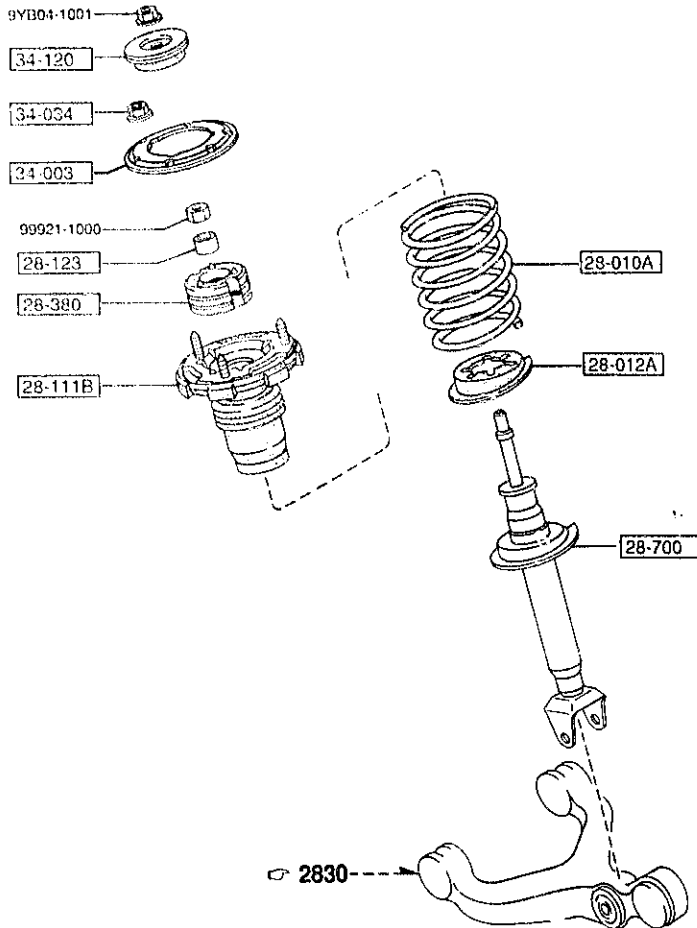
-4C01
4C01-

2710 REAR DIFFERENTIALS



PART NO.	QTY	MODEL/RESTRICTION	MODEL/RESTRICTION	MODEL/RESTRICTION	FROM-TO
CONT'D	2				
R001-27-359	2	T=5.75MM			
R001-27-361	2	T=5.8MM			
R001-27-362	2	T=5.85MM			
R001-27-363	2	T=5.9MM			
R001-27-364	2	T=5.95MM			
R001-27-365	2	T=6MM			
R001-27-366	2	T=6.05MM			
R001-27-367	2	T=6.1MM			
R001-27-368	2	T=6.15MM			
R001-27-369	2	T=6.2MM			
R001-27-371	2	T=6.25MM			
R001-27-372	2	T=6.3MM			
R001-27-373	2	T=6.35MM			
R001-27-374	2	T=6.4MM			
R001-27-375	2	T=6.5MM			
27-401		SPACER			
R001-27-401	1	T=3.47MM			
R001-27-402	1	T=3.08MM			
R001-27-403	1	T=3.11MM			
R001-27-404	1	T=3.14MM			
R001-27-405	1	T=3.17MM			
R001-27-406	1	T=3.2MM			

2800 REAR SUSPENSION MECHANISMS



PART NO.	QTY	MODEL/RESTRICTION	MODEL/RESTRICTION	MODEL/RESTRICTION	FROM 10
28-010A		SPRING, COIL-REAR			
FD15-28-011B	2				
28-012A		SHEET, RUBBER			
FD01-28-012	2				
28-111B		STOPPER, BUMP			
FD15-28-110A	2				
28-123		SPACER			
FD01-28-123A	2				
28-380		RUBBER, MOUNTING			
FD15-28-380A	2				
28-700		DAMPER, REAR			
FD15-28-700A	2	(NOR. SUSP)			
*FD16-28-700A	2	(HARD SUSP)			
34-003		SHEET, FRT DAMPER			
FD01-34-003	2				
34-034		NUT, FLANGE			
H380-34-034A	6				
34-120		STOPPER			
FD01-34-120	2				



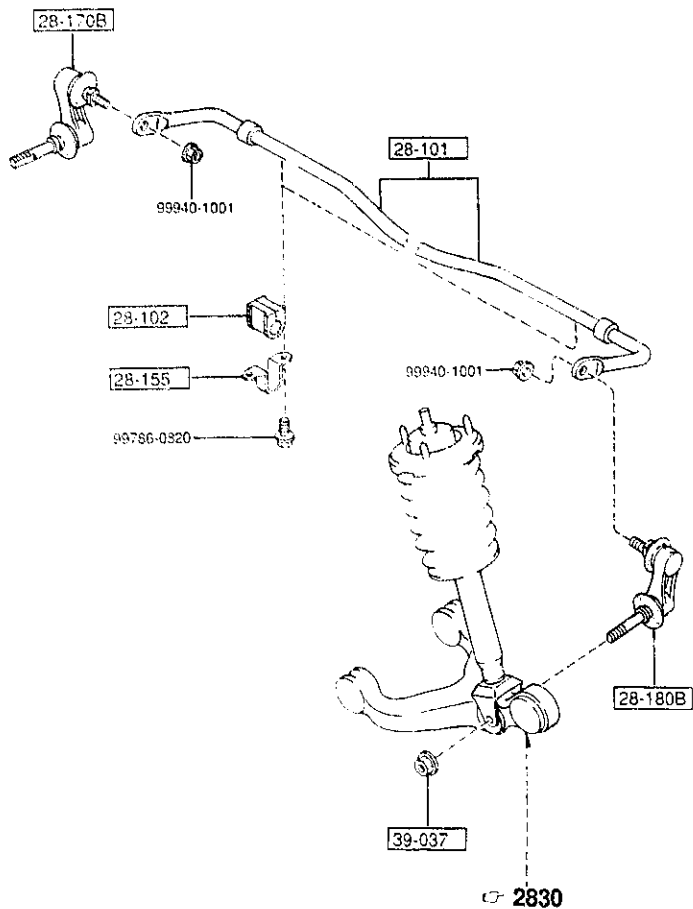
AUFA06

CAT. AUFA06-04

1997-01

2810 -1 * REAR STABILIZER

2810 REAR STABILIZER



PART NO.	QTY	MODEL/RESTRICTION	MODEL/RESTRICTION	MODEL/RESTRICTION	FROM-TO
28-101		STABILIZER,RR			
FD15-28-151A	1	(HARD SUSP)			
F123-28-151	1	(NOR. SUSP)			
28-102		BUSH,STABILIZER-RR			
FD15-28-156A	2	(HARD SUSP)			
F123-28-156	2	(NOR. SUSP)			
28-155		PLATE,STABILIZER-RR			
FD01-28-155A	2				
28-170B		LINK,CONTROL-STAB			
FD01-28-170B	1				
28-180B		LINK,CONTROL			
FD01-28-180B	1				
39-037		NUT			
B001-39-037B	2				



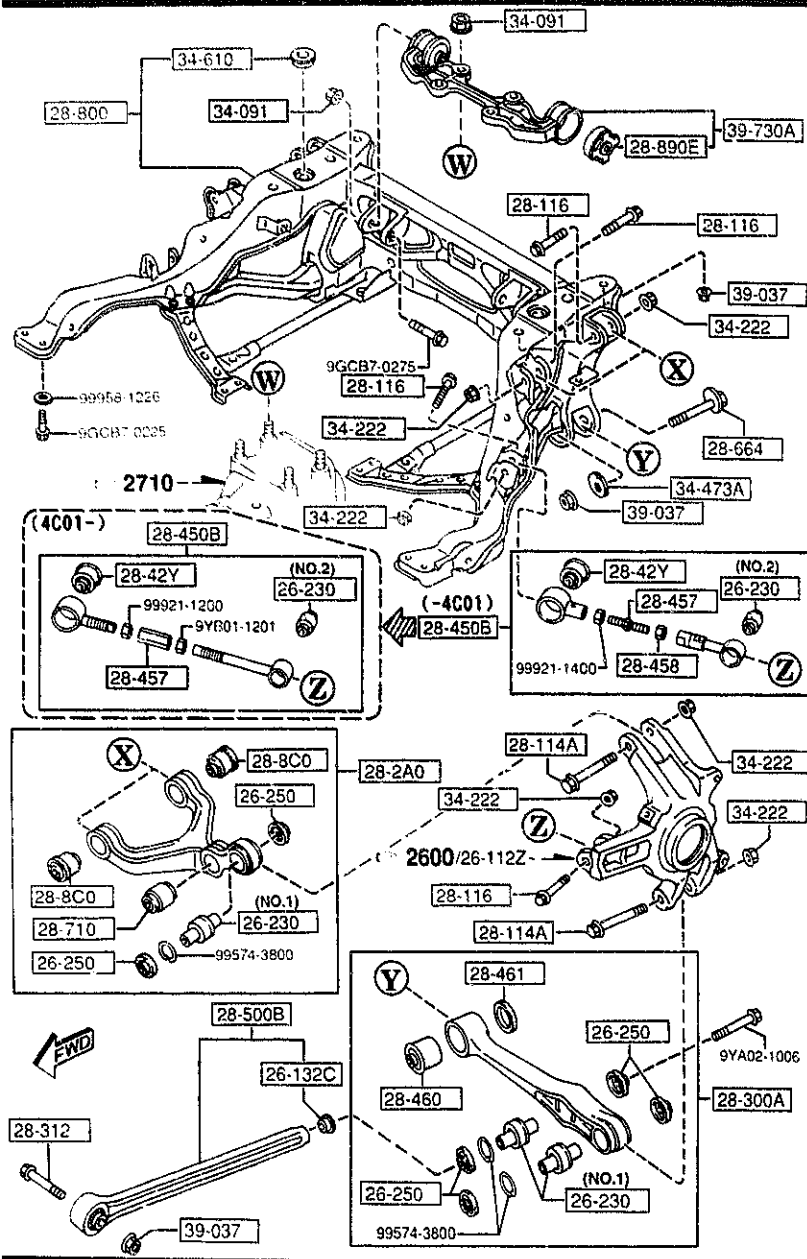
AUFA06

CAT. AUFA06-04

1997-01

2830 REAR LOWER ARMS & SUB FRAME

2830 -1 REAR LOWER ARMS & SUB FRAME



PART NO.	QTY	MODEL/RESTRICTION	MODEL/RESTRICTION	MODEL/RESTRICTION	FROM TO
26-132C		WASHER, SLEEVE-REAR B RAKE			
FD01-26-132A	2				
26-230		BALL, PILLOW-RR LOWER ARM (ILLUST. NO.1)			
FD01-26-220	6				
FD01-26-230	2	(ILLUST. NO.2)			
26-250		RUBBER, SEAL-RR LOWER ARM			
FD01-26-250	12				
28-114A		BOLT			
FD01-28-114	4				
28-116		BOLT			
FD01-28-116	8				
28-2A0		ARM, UPPER-REAR			
FD01-28-2A0B	2	(HARD SUSP)			
F123-28-2A0A	2	(NOR. SUSP)			
28-300A		ARM, LOWER-REAR			
FD01-28-300B	2				
28-312		BOLT 'A', LINK			
H266-28-312	2				
28-42Y		BUSH, PILLOW BALL			
FD01-28-42Y	2				
28-450B		LINK, TOE CONTROL			
FD01-28-450B	2				-4C01
AN(FD02-28-450)					
FD02-28-450	2				4C01-
28-457		BOLT			
FD01-28-457	2				-4C01
FD02-28-456	2				4C01-
28-458		NUT			
FD01-28-458	2				-4C01
4C01 FD333 -400022					

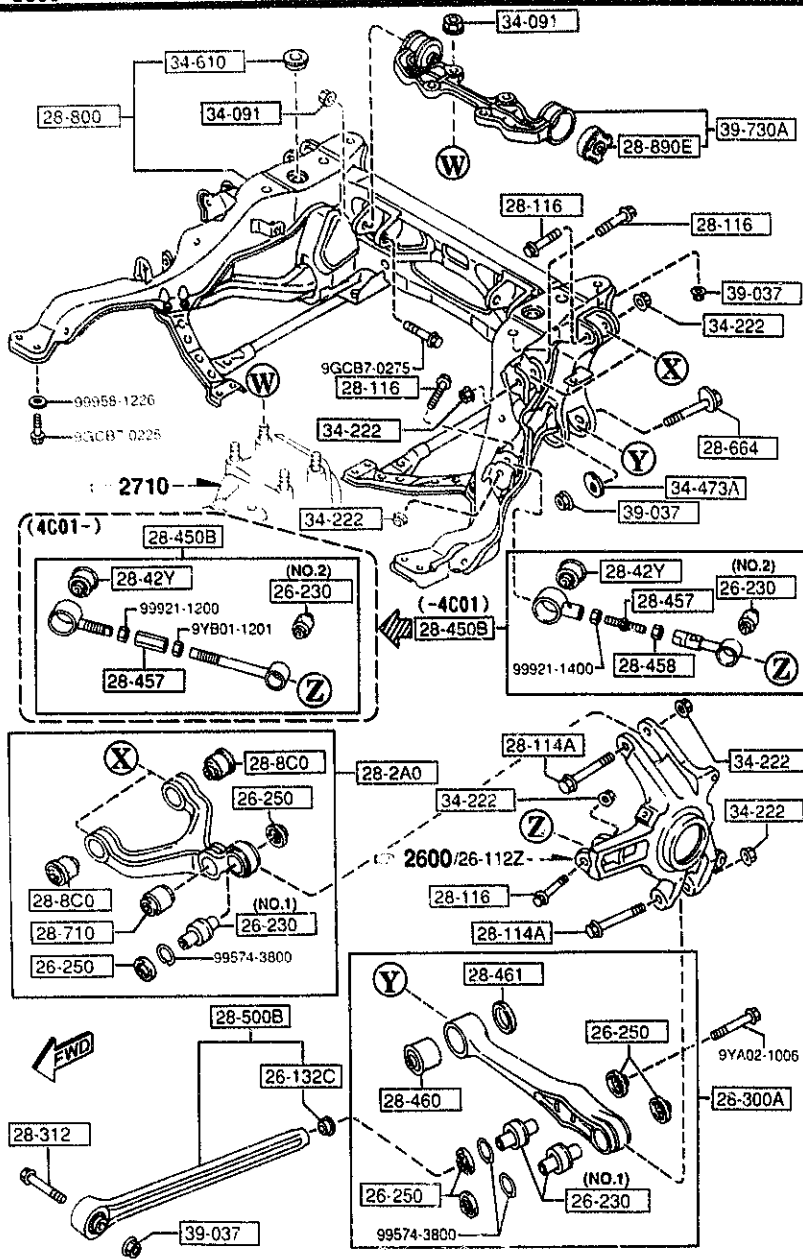
AUFA06

CAT. AUFA06-04

1997-01

2830 REAR LOWER ARMS & SUB FRAME

2830 -2 REAR LOWER ARMS & SUB FRAME



PART NO.	QTY	MODEL/RESTRICTION	MODEL/RESTRICTION	MODEL/RESTRICTION	FROM-TO
28-460		BUSHING, LOWER ARM			
FD01-28-460	2				
28-461		STOPPER, LOWER ARM			
FD01-28-461	2				
28-500B		LINK, LOWER-FRONT			
FD15-28-50X	2 (NOR. SUSP)				
FD16-28-50X	2 (HARD SUSP)				
28-664		BOLT, ADJUST			
FD01-28-664	2				
28-710		BUSH, DAMPER			
FD01-28-710A	2				
28-8C0		BUSHING, RUBBER			
FD01-28-8C0A	4 (HARD SUSP)				
28-800		FRAME, SUB			
FD15-28-80X2	1				
28-890E		RUBBER, MOUNT. -DIFF. C			
FD01-28-890A	2	ASING			
34-091		NUT			
8455-34-091	6				
34-222		NUT			
8871-34-222	12				
34-473A		PLATE, CAM			
FD01-34-473	2				
34-610		RUBBER, MOUNTING			
FD01-34-610A	2				
39-037		NUT			
8001-39-037B	8				

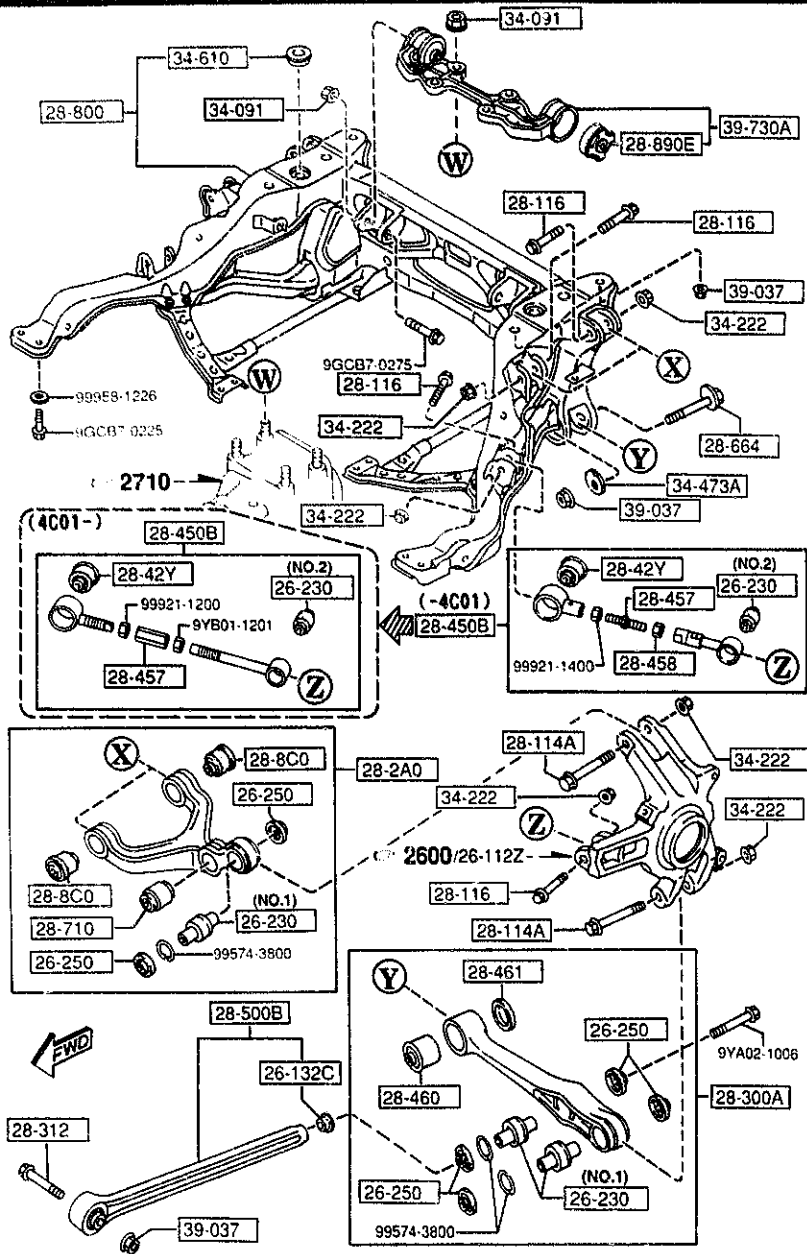
AUFA06

CAT. AUFA06-04

1997-01

2830 -3 * REAR LOWER ARMS & SUB FRAME

2830 REAR LOWER ARMS & SUB FRAME



PART NO.	QTY	MODEL/RESTRICTION	MODEL/RESTRICTION	MODEL/RESTRICTION	FROM TO
39-730A	1	BRACKET, DIFF. MOUNTIN			
FD01-39-730A					

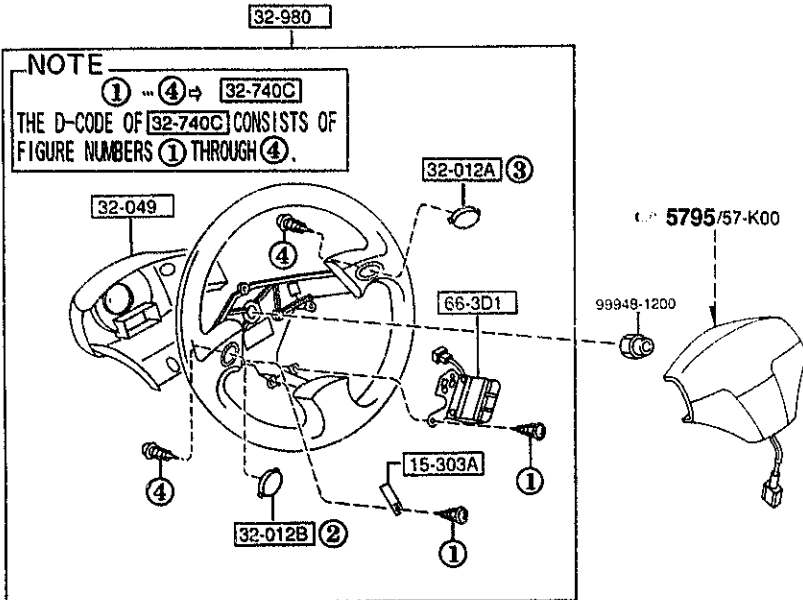
AUFA06

CAT. AUFA06-04

1997-01

3200 STEERING WHEEL

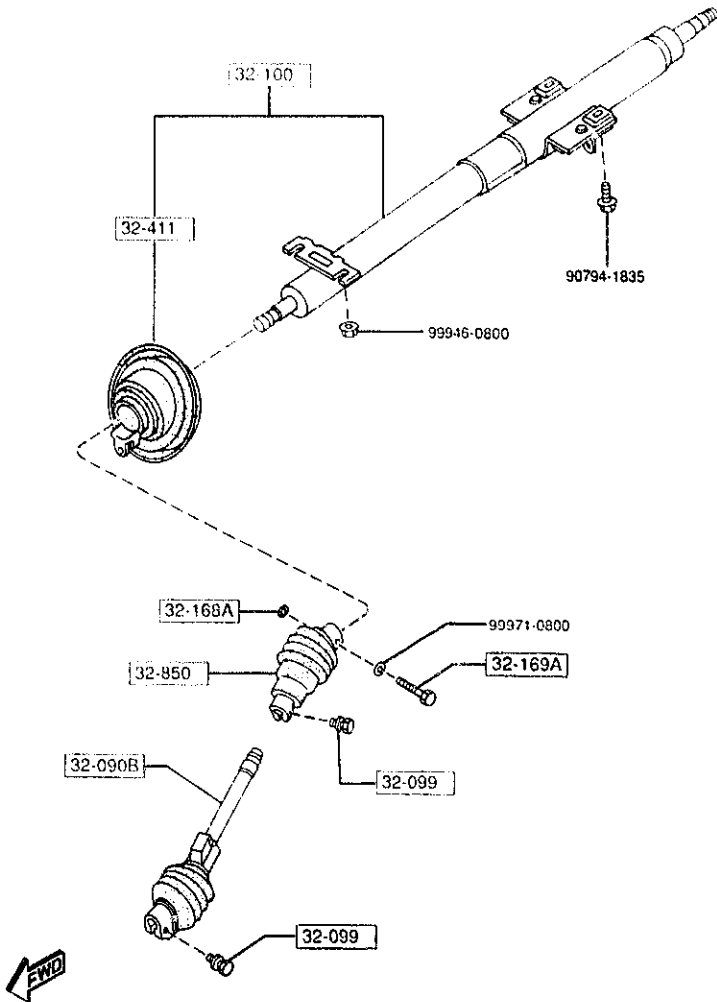
3200 -1 * STEERING WHEEL



PART NO.	QTY	MODEL/RESTRICTION	MODEL/RESTRICTION	MODEL/RESTRICTION	FROM TO
15-303A		CLIP			
2667-15-303A	2				
32-012A		BUTTON(R),HORN			
FD01-32-01X	1				
32-012B		BUTTON(L),HORN			
FD01-32-010	1				
32-049		COVER,WHEEL CORE			
FD01-32-049	1	(NOR. SUSP)			
FD03-32-049	1	(HARD SUSP)			
32-740C		PARTS SET,ST. WHEEL			
FD01-32-750	1				
32-980		BOSS,STEERING WHEEL			
FD01-32-980E	1	(NOR. SUSP)			
FD03-32-980E	1	(HARD SUSP)			
66-3D1		SWITCH,AUTOCRUISE			
FD01-66-3D1A	1	(NOR. SUSP)			

3210 -1 * STEERING COLUMN & SHAFTS

3210 STEERING COLUMN & SHAFTS



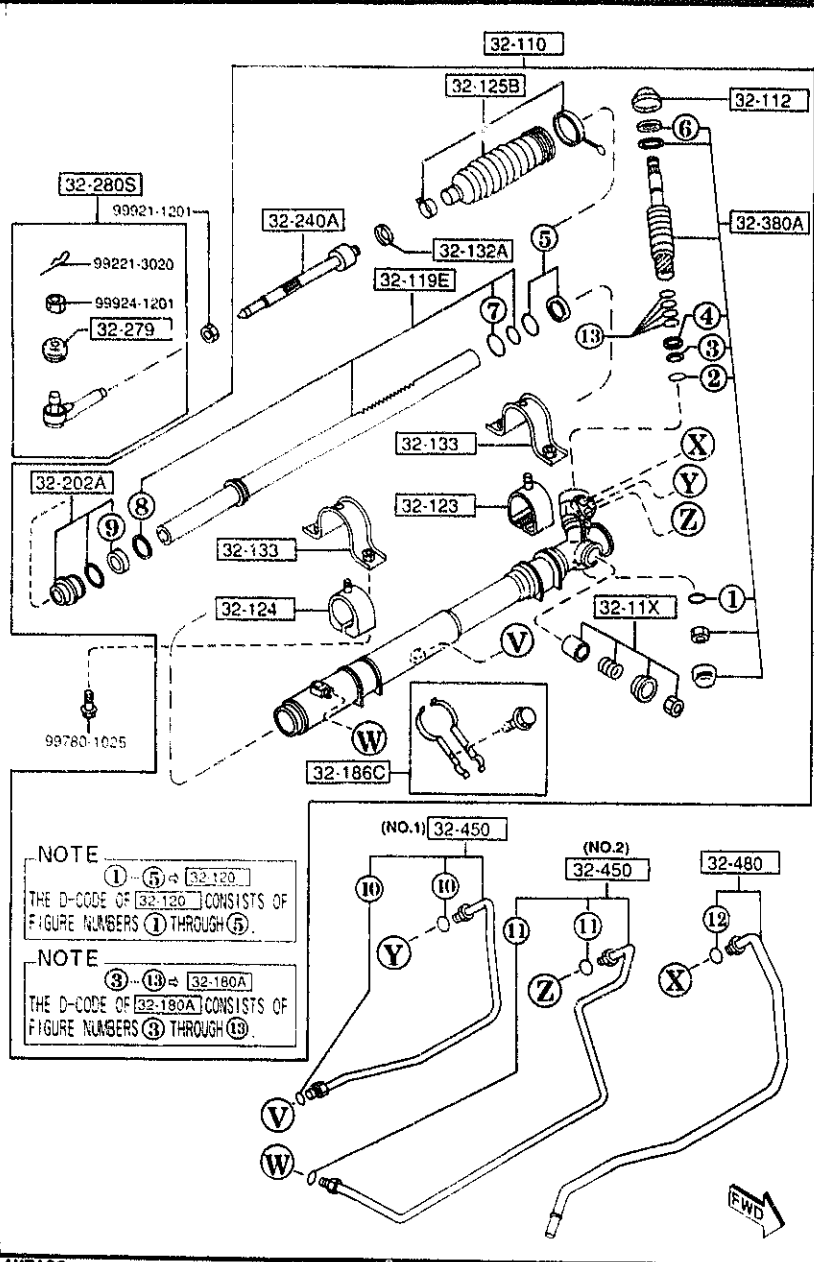
PART NO.	QTY	MODEL/RESTRICTION	MODEL/RESTRICTION	MODEL/RESTRICTION	FROM TO
32-090B		SHAFT, INTERMED.			
FD01-32-090A	1				
32-099		BOLT, SHAFT			
B455-32-099	2				
32-100		SHAFT, ENGY. ABSORBER			
FD15-32-100	1				
32-168A		WASHER, STOP			
FB01-32-168	1				
32-169A		BOLT			
B001-32-169A	1				
32-411		COVER, DUST			
FD15-32-411	1				
32-850		JOINT, STEERING			
FD15-32-850	1				

AUFA06

CAT. AUFA06-04

1997-01

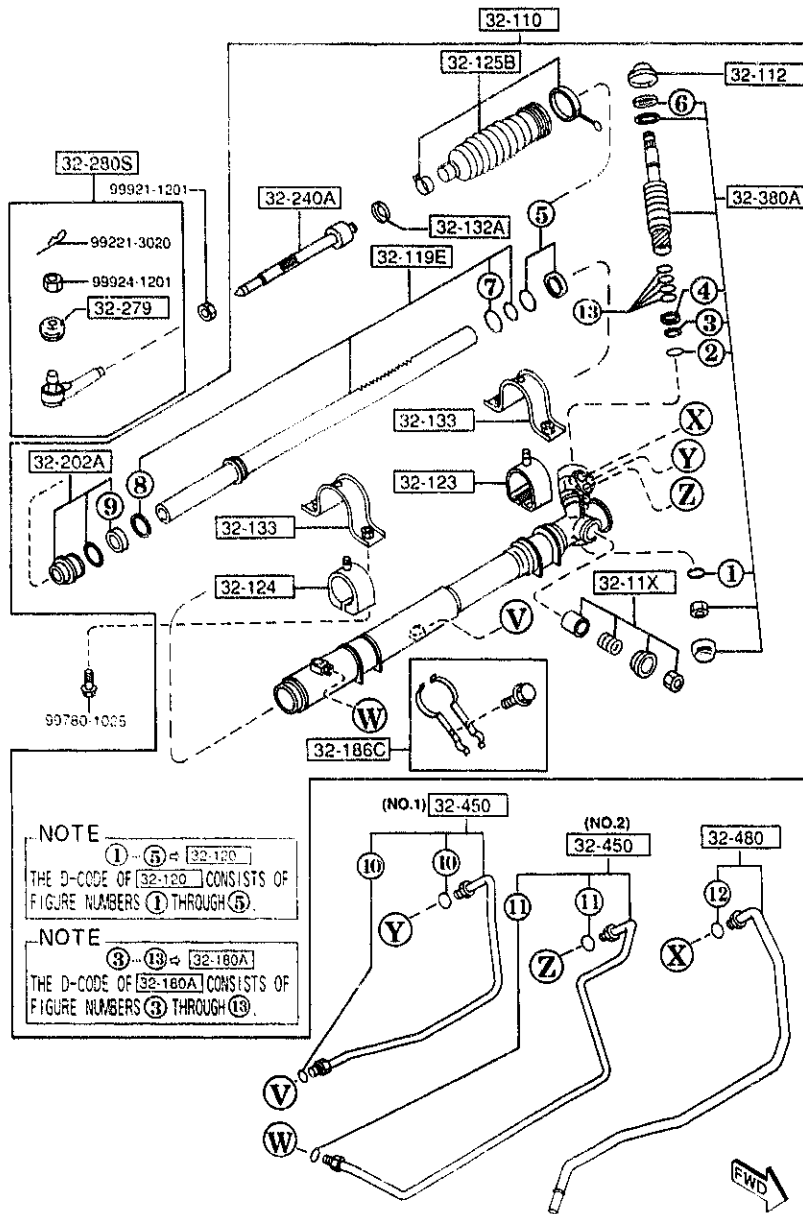
3220 STEERING GEAR



PART NO.	QTY	MODEL/RESTRICTION	MODEL/RESTRICTION	MODEL/RESTRICTION	FROM TO
32-11X	1	YOKES SET,SUPPORT-ST. GEAR			
FD01-32-11X					
32-110	1	GEAR,STEERING			
FD15-32-110B					
32-112	1	COVER,DUST			
FD01-32-112					
32-119E	1	RACK,STEERING GEAR			
FD01-32-119A					
32-120	1	HOUSING,GEAR			
FD01-32-120					
32-123	1	RUBBER,MOUNTING			
F110-32-123					
32-124	1	RUBBER,MOUNTING			
FD01-32-124					
32-125B	1 (FOR RIGHT)	BOOT,RACK			
FD01-32-125A					
FD02-32-125A	1 (FOR LEFT)				
32-132A	2	WASHER			
FD01-32-132					
32-133	2	PLATE,CLAMP			
FD01-32-133					
32-180A	1	SEAL KIT,ST. GEAR			
FD01-32-180					
32-186C	1	CLIP KIT,ST. GEAR			
FD01-32-186					
32-202A	1	STOPPER,RACK-ST. GEAR			
FD01-32-202					

3220 STEERING GEAR

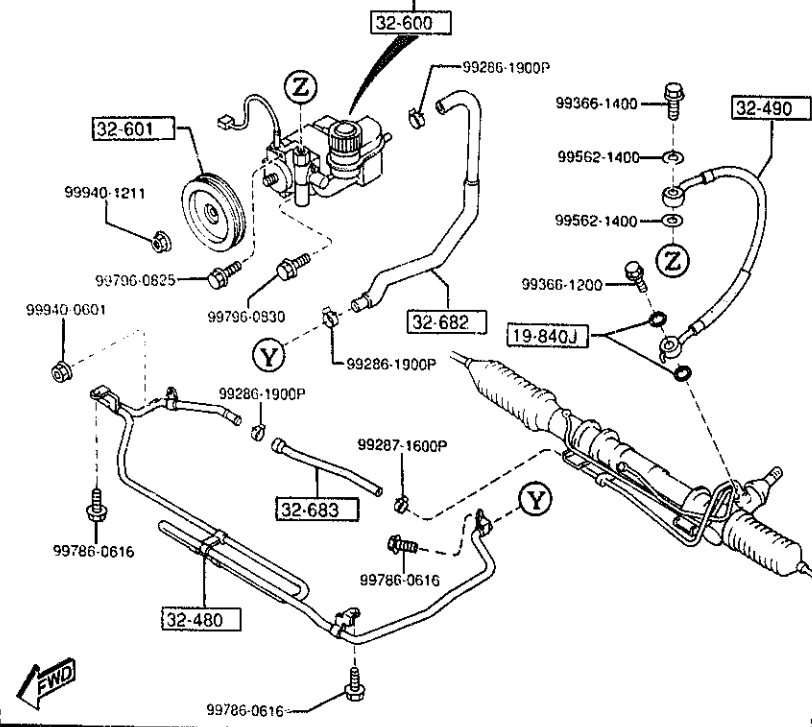
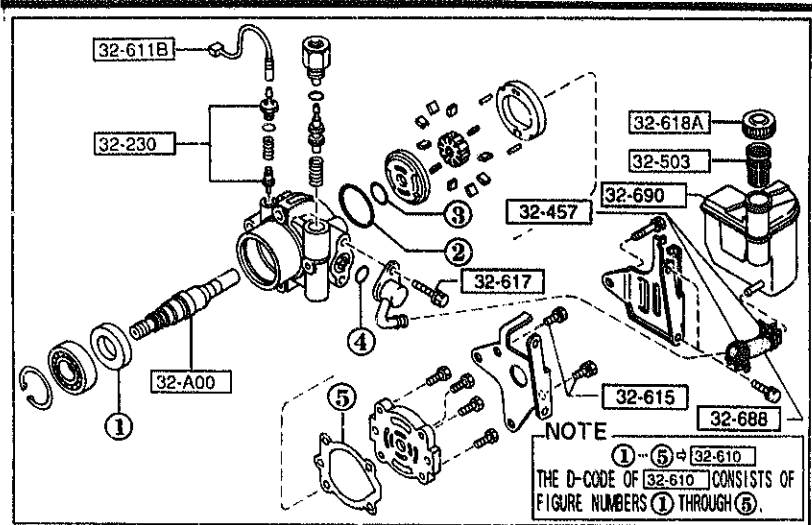
3220 -2 * STEERING GEAR



PART NO.	QTY	MODEL/RESTRICTION	MODEL/RESTRICTION	MODEL/RESTRICTION	FROM 10
[32-240A] FD01-32-240A	2	JOINT, BALL			
[32-279] B455-32-279	2	SEAL, DUST-BALL JOINT			
[32-280S] BAB2-32-280	2	JOINT SET, BALL			
[32-380A] FD15-32-380	1	VALVE, ST. GEAR			
[32-450] FD01-32-450	1	PIPE, PRESSURE	(ILLUST. NO.1)		
[32-450] FD02-32-450	1	PIPE, PRESSURE	(ILLUST. NO.2)		
[32-480] FD02-32-480	1	PIPE, RETURN			

3240 -1 POWER STEERING SYSTEM

3240 POWER STEERING SYSTEM



PART NO.	QTY	MODEL/RESTRICTION	MODEL/RESTRICTION	MODEL/RESTRICTION	FROM-TO
19-840J		RING, 'O'			
99541-01401	2				
32-A00		SHAFT			
GA2A-32-607	1				
32-230		SENSOR, STEERING PRES SURE			
H300-32-230	1				
32-457		CLIP, HOSE			
FD01-32-457	1				
32-480		PIPE, RETURN			
FD01-32-480F	1				
32-490		HOSE, PRESSURE			
FD01-32-490D	1				
32-503		STRAINER			
BR71-32-503	1				
32-600		PUMP, VANE			
FD15-32-600A	1				
32-601		PULLEY, VANE PUMP			
FD01-32-620B	1				
32-610		SEAL KIT, VANE PUMP			
EA03-32-610	1				
32-611B		HARNES			
FD01-32-611A	1				
32-615		KEY, VANE PUMP			
*FD01-32-615	1				
32-617		BOLT, VANE PUMP			
*FD01-32-617	1				
32-618A		CAP, VANE PUMP TANK			
G211-32-618A	1				

AUFA06

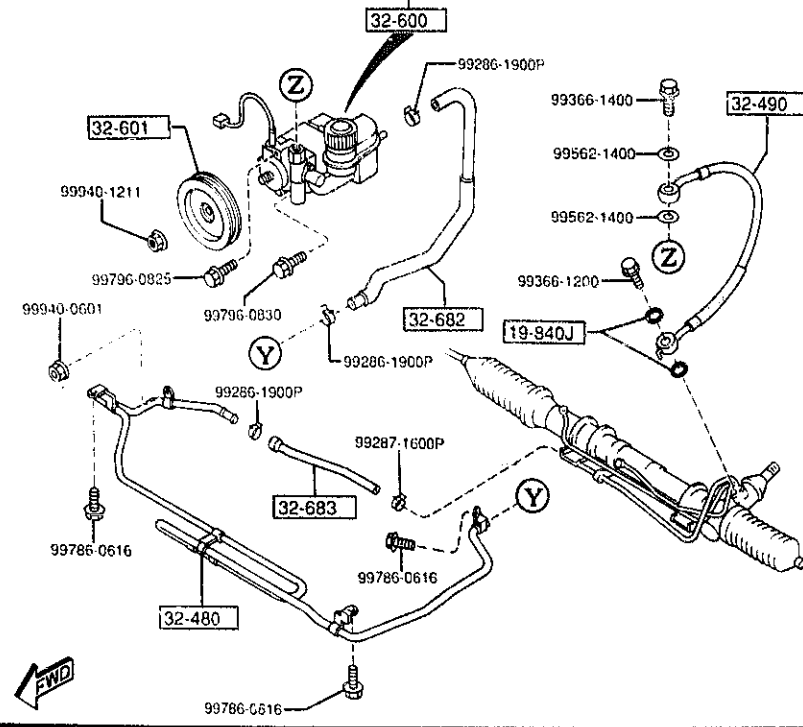
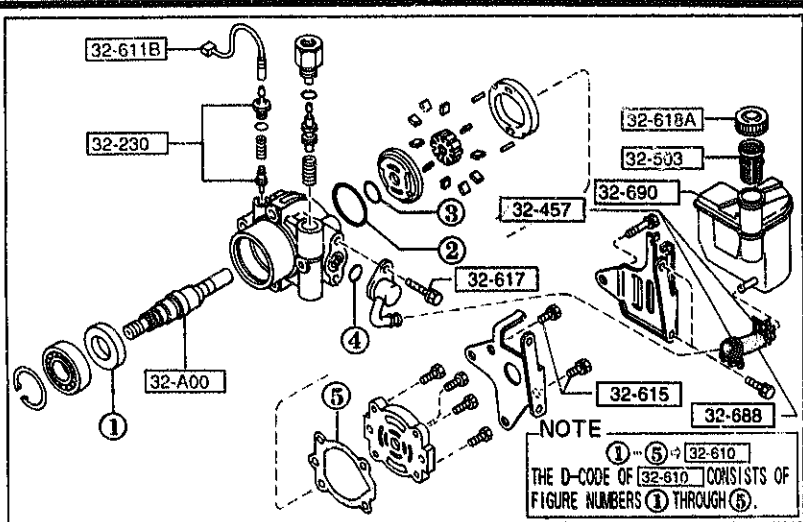
CAT. AUFA06-04

1997-01

2-K 4

3240 POWER STEERING SYSTEM

3240 -2 * POWER STEERING SYSTEM



PART NO.	QTY	MODEL/RESTRICTION	MODEL/RESTRICTION	MODEL/RESTRICTION	FROM-TO
32-682		HOSE, RETURN			
FD01-32-682E	1				
32-683		CLAMP			
FD01-32-683A	1				
32-688		HOSE, SUCTION			
*FD01-32-488	1				
32-690		TANK, VANE PUMP			
FD01-32-690	1				

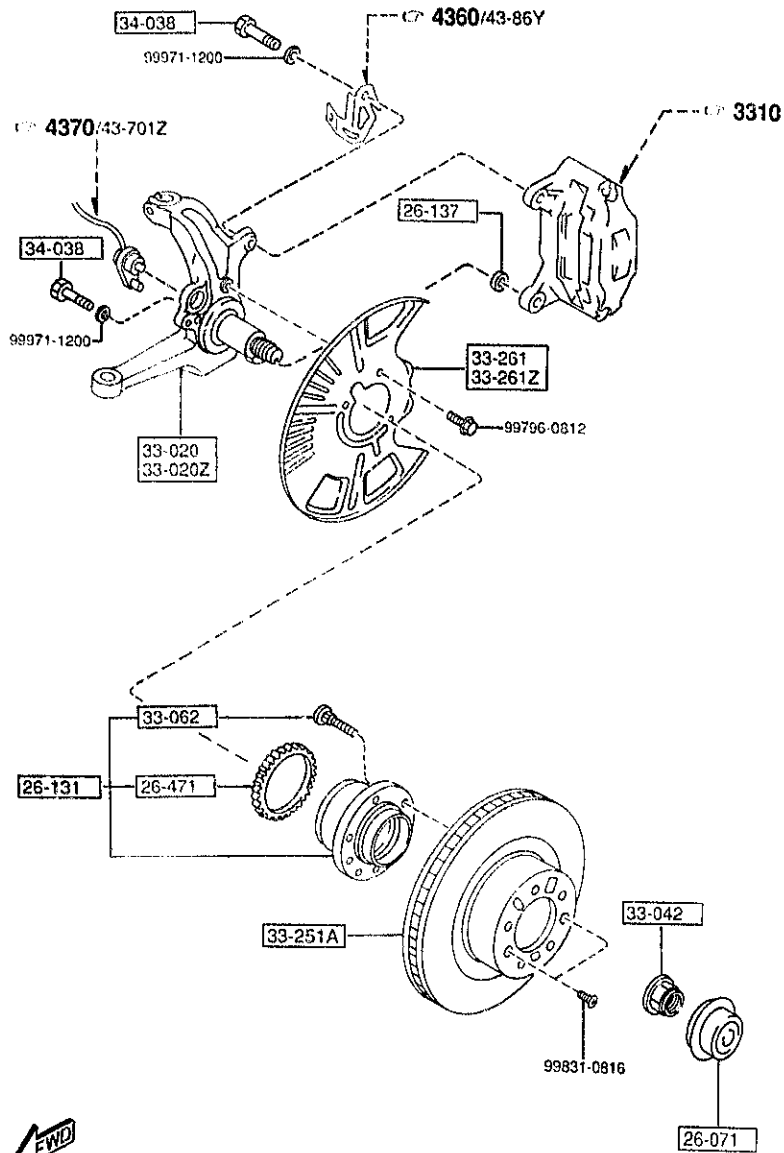
AUFA06

CAT. AUFA06-04

1997-01

3300 -1 * FRONT AXLE

3300 FRONT AXLE

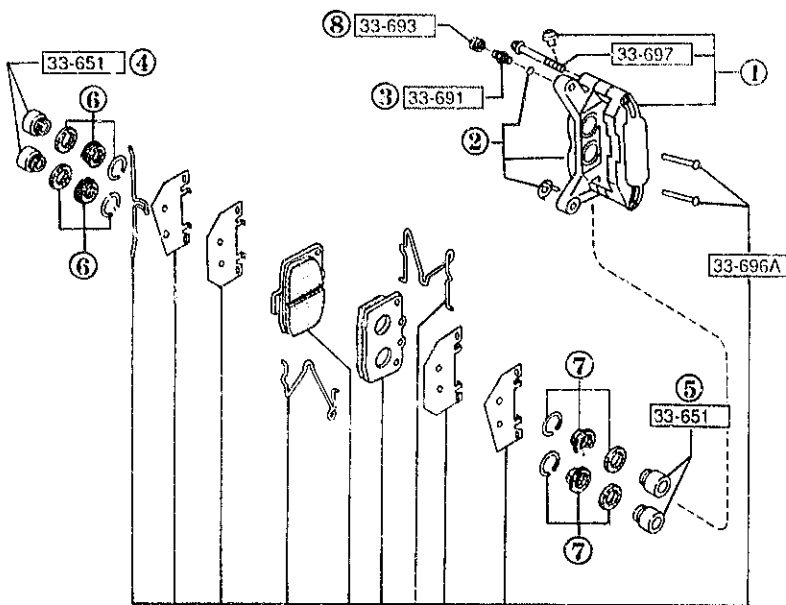


PART NO.	QTY	MODEL/RESTRICTION	MODEL/RESTRICTION	MODEL/RESTRICTION	FROM-TO
26-071		CAP, HUB			
GA2A-26-071	2				
26-131		BEARING & HUB			
GA5S-26-15X	2				
26-137		WASHER, PLAIN-LOWER ARM			
FB01-26-137	2				
26-471		ROTOR, SENSOR-RR A. B. S.			
GA5S-26-471	2				
33-020		KNUCKLE(R), STEERING			
FD15-33-021	1				
33-020Z		KNUCKLE(L), STEERING			
FD15-33-031	1				
33-042		NUT			
LAD1-33-042B	2				
33-062		BOLT, HUB			
J00V-33-062	10				
33-251A		PLATE, DISC			
FD01-33-25X	2				
33-261		COVER(R), DUST			
F124-33-261	1				
33-261Z		COVER(L), DUST			
F124-33-271	1				
34-038		BOLT, DAMPER-REAR			
LA01-34-038	4				

AUFA06

CAT. AUFA06-04

1997-01



NOTE

① ... ⑧ ⇒ 33-98Z
33-99Z

THE D-CODE OF 33-98Z
33-99Z CONSISTS OF
FIGURE NUMBERS ① THROUGH ⑧.

NOTE

⑥ ... ⑧ ⇒ 49-240C

THE D-CODE OF 49-240C CONSISTS OF
FIGURE NUMBERS ⑥ THROUGH ⑧.

NOTE

① ... ⑦ ⇒ 33-610
33-610Z

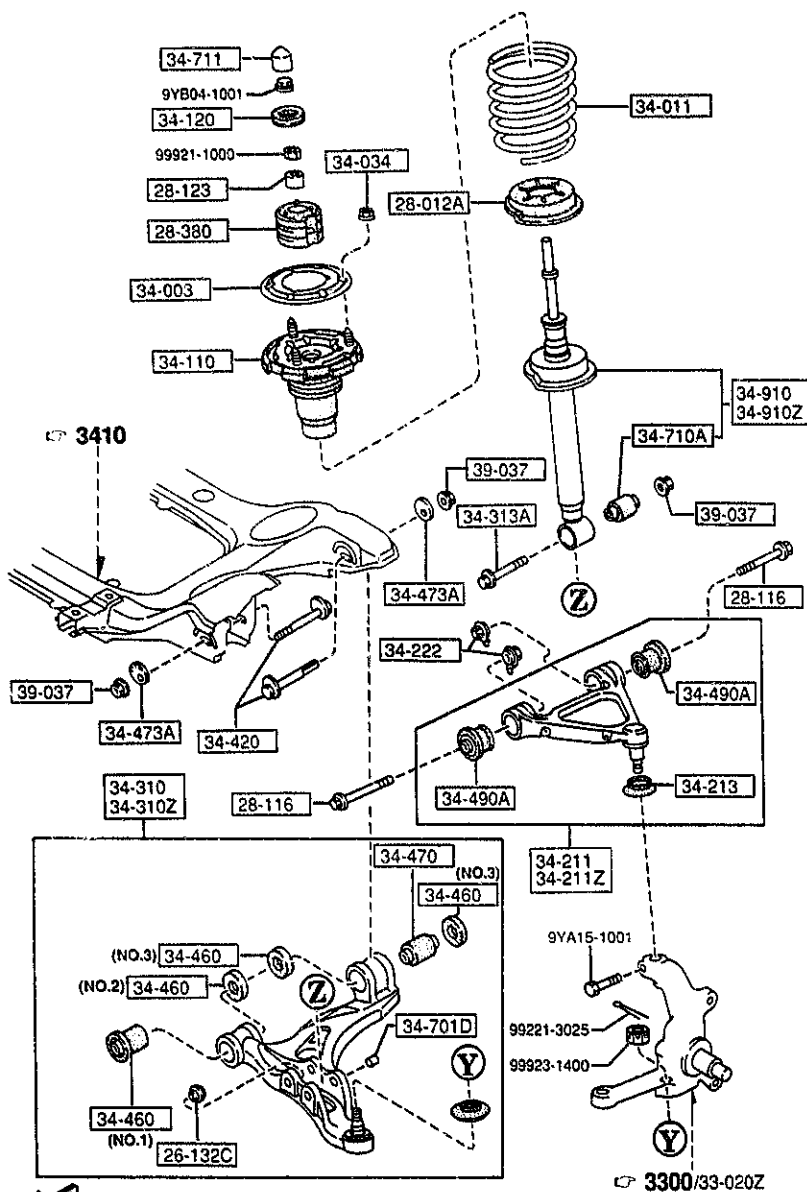
THE D-CODE OF 33-610
33-610Z CONSISTS OF
FIGURE NUMBERS ① THROUGH ⑦.

THOUGH ILLUSTRATIONS OF D-CODE 33-23Z AND 49-240C ARE FOR LEFT SIDE ONLY,
QUANTITIES OF THESE D-CODES IN THE TEXT ARE FOR ONE VEHICLE.

PART NO.	QTY	MODEL/RESTRICTION	MODEL/RESTRICTION	MODEL/RESTRICTION	FROM TO
33-23Z FD23-33-23Z	1	PAD SET, FRT CALIPER NON ASBESTOS			
33-610 FD01-33-61XA	1	BODY & PISTON(R), CALIPER			
33-610Z FD01-33-71XA	1	BODY & PISTON(L), CALIPER			
33-651 FB05-33-651A	8	PISTON, CALIPER-FRT			
33-691 B001-33-691	2	SCREW, BLEEDER			
33-693 FB05-33-693	2	CAP, RUBBER			
33-696A FD01-33-696	4	PIN, PAD-FRONT BRAKE			
33-697 FD01-33-697	8	BOLT, BRIDGE-FRT BRAKE			
33-98Z FD13-33-98Z	1	CALIPER(R), PADLESS-FR			
33-99Z FD13-33-99Z	1	CALIPER(L), PADLESS-FR			
49-240C FB05-49-240	1	SEAL KIT, CALIPER-FRT			



3400 FRONT SUSPENSION MECHANISMS



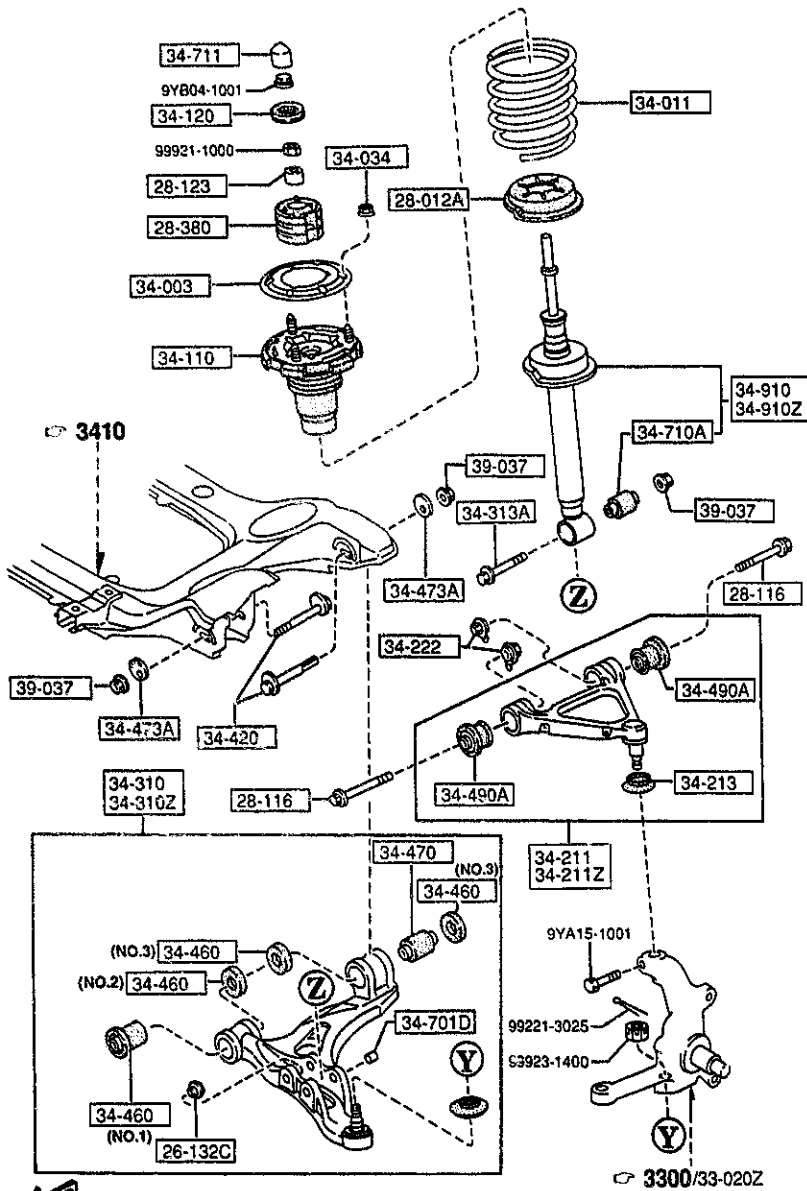
PART NO.	QTY	MODEL/RESTRICTION	MODEL/RESTRICTION	MODEL/RESTRICTION	FROM TO
26-132C FD01-26-132	2	WASHER, SLEEVE-REAR B RAKE			
28-012A FD01-28-012	2	SHEET, RUBBER			
28-116 FD01-28-116	4	BOLT			
28-123 FD01-28-123A	2	SPACER			
28-380 FD15-28-380A	2	RUBBER, MOUNTING			
34-003 FD01-34-003	2	SHEET, FRT DAMPER			
34-011 FD01-34-011	2	SPRING, COIL-FRONT ((MT)>>(W/O SUN ROOF) ((MT)>>(W/GLASS SUN R OOF))			
34-011 FD17-34-011	2	SPRING, COIL-FRONT ((MT)>>(W/STEEL SUN R OOF)) (AT)			
34-034 H380-34-034A	6	NUT, FLANGE			
34-110 FD15-34-110B	2	BUMPER, BOUND			
34-120 FD01-34-120	2	STOPPER			
34-211 FD15-34-200	1	ARM(R), UPPER			
34-211Z FD15-34-250	1	ARM(L), UPPER			

AUFA06

CAT. AUFA06-04

1997-01

3400 FRONT SUSPENSION MECHANISMS



PART NO.	QTY	MODEL/RESTRICTION	MODEL/RESTRICTION	MODEL/RESTRICTION	FROM-TO
34-213		BOOT, BALL JOINT-UP. ARM			
FD01-34-213	2				
34-222		NUT			
8871-34-222	4				
34-310		ARM(R), LOWER			
FD15-34-300	1 (HARD SUSP)				
F123-34-300A	1 (NOR. SUSP)				
34-310Z		ARM(L), LOWER			
FD15-34-350	1 (HARD SUSP)				
F123-34-350A	1 (NOR. SUSP)				
34-313A		BOLT			
H260-34-313	2				
34-420		BOLT, ADJUST			
FD01-34-420	4				
34-460		BUSH, RUBBER-LWR ARM			
FD01-34-460B	2 (ILLUST. NO.1) (HARD SUSP)				
F123-34-460A	2 (ILLUST. NO.1) (NOR. SUSP)				
FD01-34-461	2 (ILLUST. NO.2)				
FD01-34-471A	4 (ILLUST. NO.3)				
34-470		BUSHING, RUBBER-FRT			
FD01-34-470A	2				
34-475A		PLATE, CAM			
FD01-34-475	4				
34-490A		BUSHING, RUBBER			
FD01-34-480A	4				
34-701D		SLEEVE			
FD01-34-701B	2				

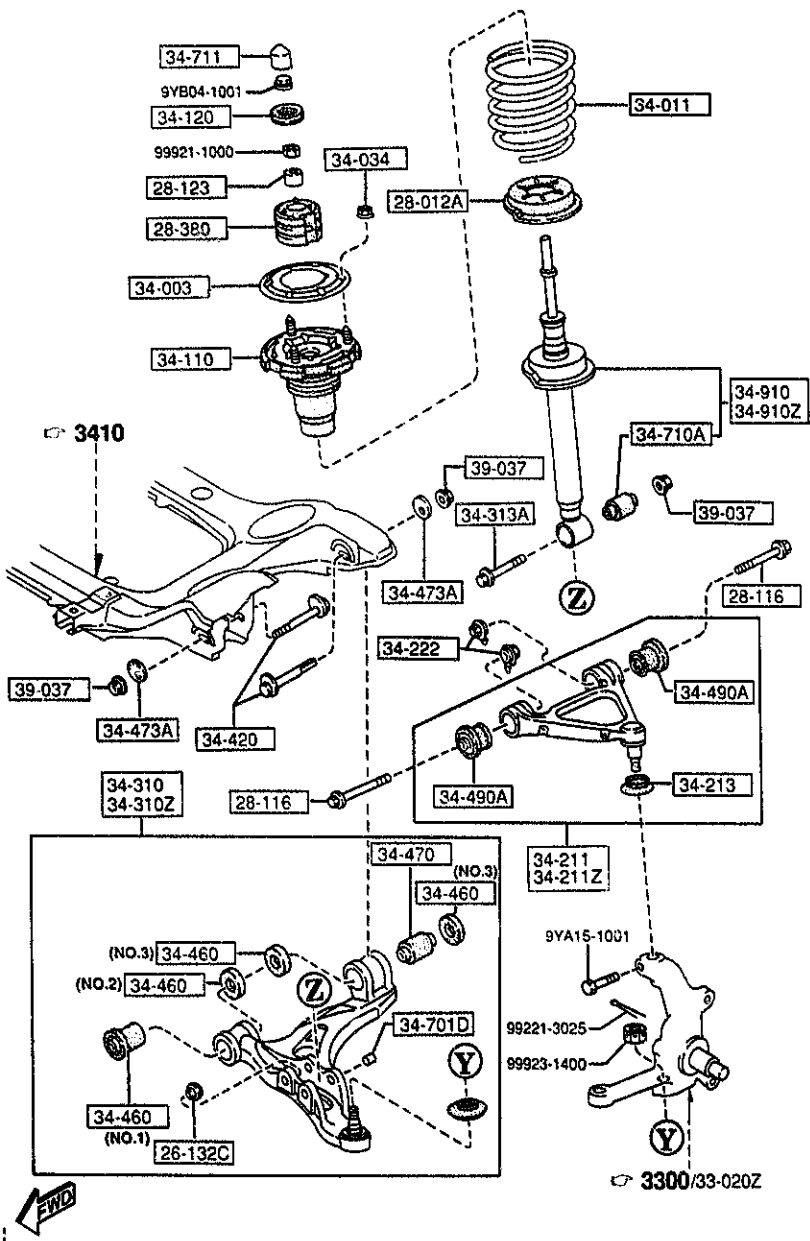
AUFA06

CAT. AUFA06-04

1997-01

3400 FRONT SUSPENSION MECHANISMS

3460 -3 * FRONT SUSPENSION MECHANISMS



PART NO.	QTY	MODEL/RESTRICTION	MODEL/RESTRICTION	MODEL/RESTRICTION	FROM TO
34-710A		BUSHING, DAMPER-LOWER			
FD01-34-710A	2	(HARD SUSP)			
F123-34-710A	2	(NOR. SUSP)			
34-711		CAP			
FD01-34-711A	2				
34-910		DAMPER(R), FRONT			
FD16-34-700A	1	(HARD SUSP)			
F123-34-700A	1	(NOR. SUSP)			
34-910Z		DAMPER(L), FRONT			
FD16-34-900A	1	(HARD SUSP)			
F123-34-900A	1	(NOR. SUSP)			
39-037		NUT			
B001-39-037B	10				

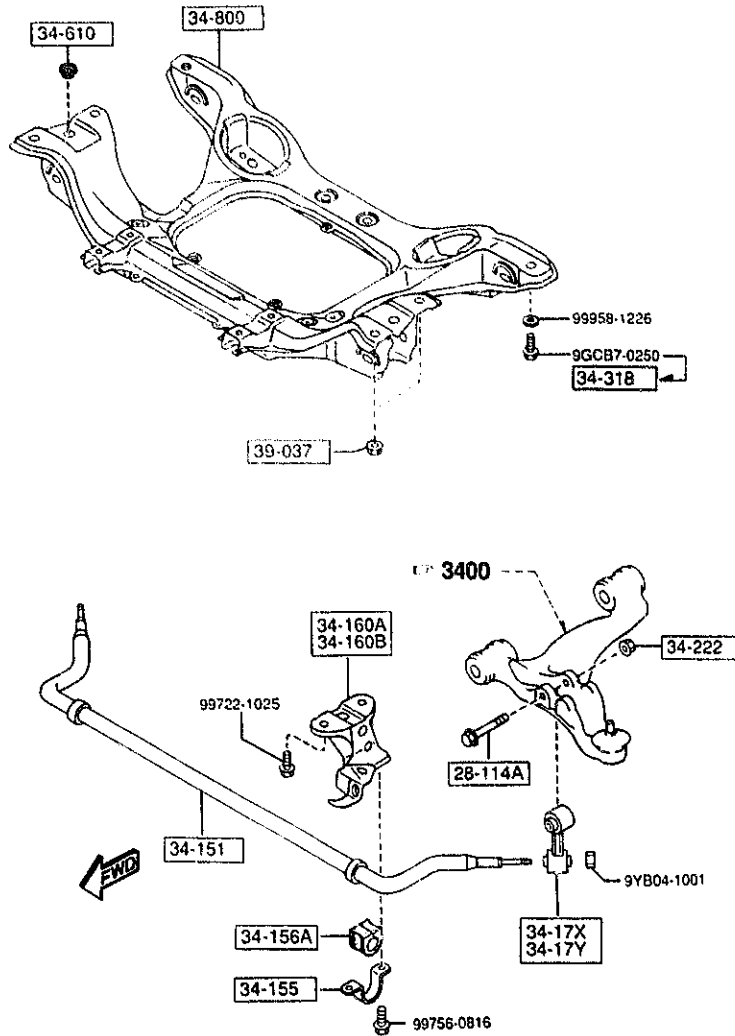
AUFA06

CAT. AUFA06-04

1997-01

3410 CROSSMEMBER & STABILIZER

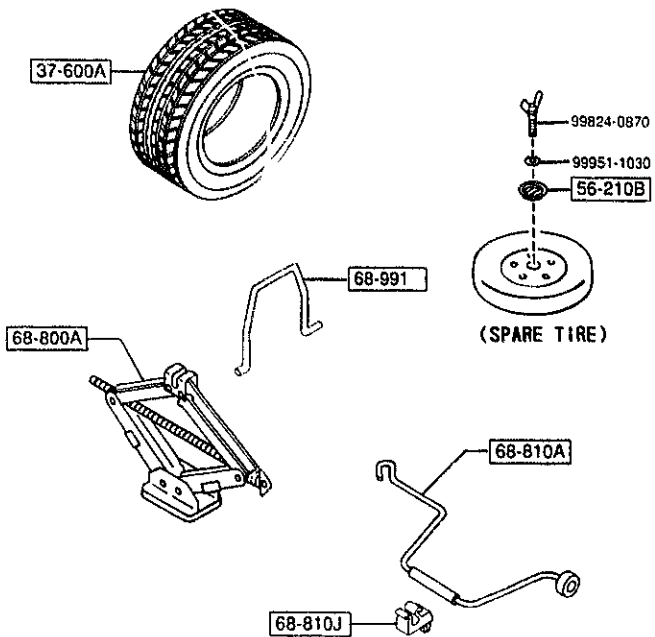
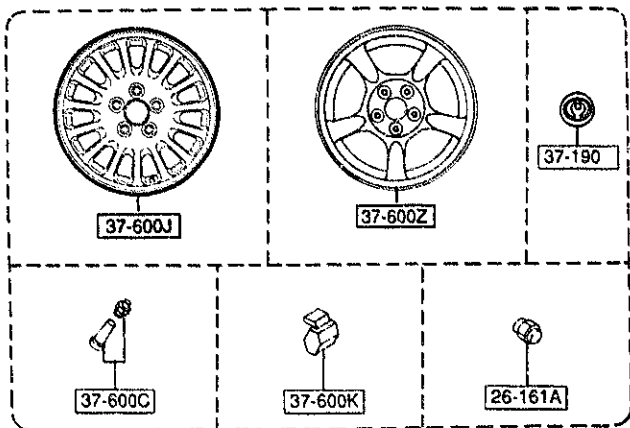
3410 -1 * CROSSMEMBER & STABILIZER



PART NO.	QTY	MODEL/RESTRICTION	MODEL/RESTRICTION	MODEL/RESTRICTION	FROM TO
28-114A		BOLT			
FD01-28-114	2				
34-151		STABILIZER, FRONT			
FD01-34-151A	1				
34-155		PLATE, STABILIZER			
FD01-34-155	2				
34-156A		RUBBER, STAB -FRT			
FD01-34-156	2				
34-160A		BRACKET, STABILIZER			
FD01-34-160D	1 (FOR RIGHT)				
34-160B		BRACKET, STABILIZER			
FD01-34-180C	1 (FOR LEFT)				
34-17X		LINK(R), FRONT STABILIZER			
FD01-34-17X	1				
34-17Y		LINK(L), FRONT STABILIZER			
FD01-34-19X	1				
34-222		NUT			
8871-34-222	2				
34-318		BOLT, FLANGE-ST. KNUCKLE			
H380-34-318A	2				5801-
34-610		RUBBER, MOUNTING			
FD01-34-610A	2				
34-800		MEMBER, CROSS			
FD01-34-800H	1				
39-037		NUT			
B001-39-037B	4				

5801 FD333 -400230

3700 TIRES & JACK



3700 -1 TIRES & JACK

PART NO.	QTY	MODEL/RESTRICTION	MODEL/RESTRICTION	MODEL/RESTRICTION	FROM TO
26-161A		NUT, HUB			
B002-37-160	20	PLATED			
37-190		CAP, CENTER			
FD01-37-191B	4				
37-600A		TIRE			
90620-17636	1	T135/70D16 BS			
90622-65726	4	225/50R16 (225/50VR16 GOOD YEAR)			
90623-25726	4	225/50R16 (225/50VR16 YOKOHAMA)			
90623-35726	4	225/50R16 (225/50VR16 DUNLOP)			
37-600C		VALVE, AIR			
99636-04130	4	TR413			
37-600J		WHEEL DISK-TEMPORARY			
99651-94060	1	4TX16 P-114/0=40			
37-600K		WEIGHT, DISC WHEEL-ALUMI			
99655-90005	4	5G FOR 1-PIECE WHL			
99655-90010	4	10G FOR 1-PIECE WHL			
99655-90015	4	15G FOR 1-PIECE WHL			
99655-90020	4	20G FOR 1-PIECE WHL			
99655-90025	4	25G FOR 1-PIECE WHL			
99655-90030	4	30G FOR 1-PIECE WHL			
99655-90035	4	35G FOR 1-PIECE WHL			
99655-90040	4	40G FOR 1-PIECE WHL			
99655-90045	4	45G FOR 1-PIECE WHL			

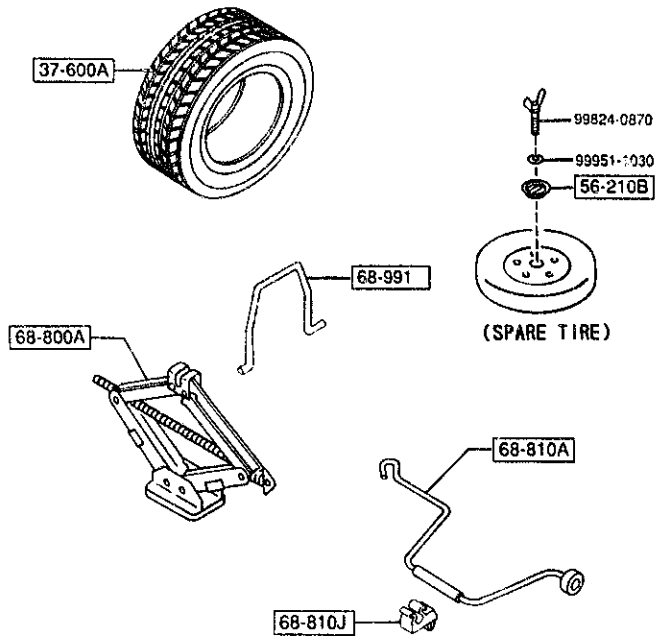
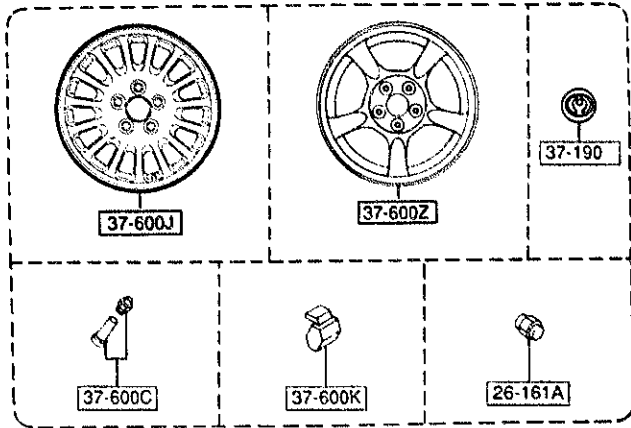
AUFA06

CAT. AUFA06-04

1997-01

3700 -2 * TIRES & JACK

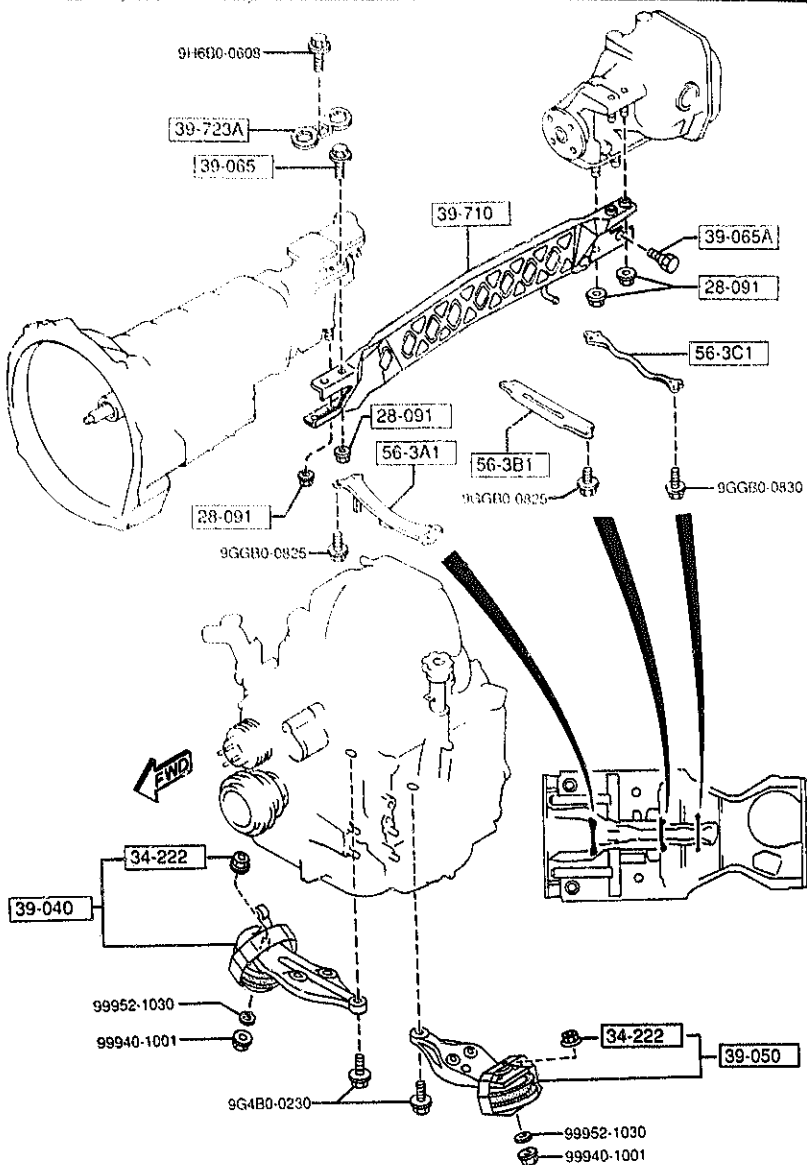
3700 TIRES & JACK



PART NO.	QTY	MODEL/RESTRICTION	MODEL/RESTRICTION	MODEL/RESTRICTION	FROM-TO
CONT'D					
99655-90050	4	50G FOR 1-PIECE WHL			
99655-90055	4	55G FOR 1-PIECE WHL			
99655-90060	4	60G FOR 1-PIECE WHL			
37-600Z		WHEEL,DISC-ALUMI.			
99650-28060	4	8JXX16 P=114/0=50			
99650-58060	4	8JXX16 P=114/0=50			
56-210B		CLAMP,SPARE TIRE			
FB01-56-971	1				
68-800A		JACK			
FD01-37-790A	1				
68-810A		HANDLE,JACK			
FD01-37-810	1				
68-810J		HOLDER,JACK HANDLE			
FD01-56-171A	1				
68-991		WIRE			
FD01-56-172	1				

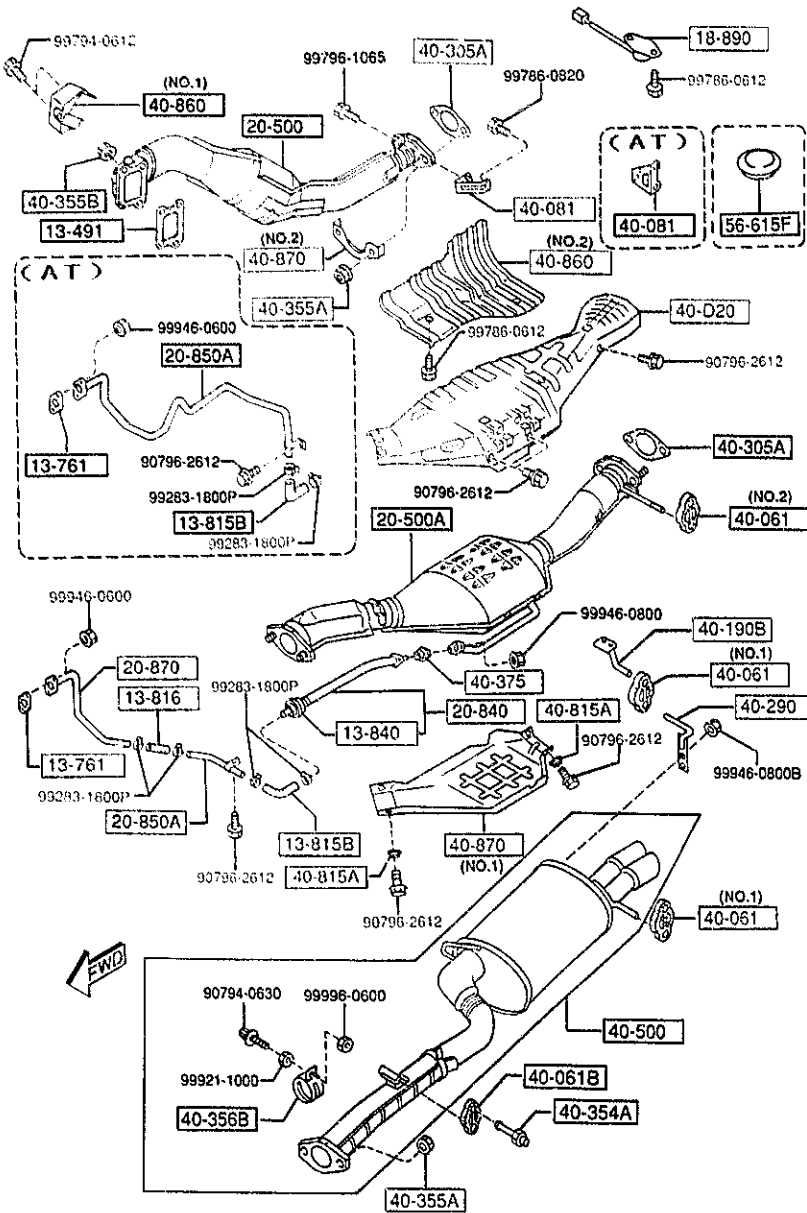
3900 -1 * ENGINE & T/MISSION MOUNTINGS

3900 ENGINE & T/MISSION MOUNTINGS



PART NO.	QTY	MODEL/RESTRICTION	MODEL/RESTRICTION	MODEL/RESTRICTION	FROM-TO
28-091		NUT			
FB01-28-091A	8				
34-222		NUT			
8871-34-222	2				
39-040		RUBBER(R),ENGINE MT.			
FD01-39-040C A (FD01-39-040D)	1				-4A01
FD01-39-040D	1				4A01-
39-050		RUBBER(L),ENGINE MT.			
FD01-39-050A A (FD31-39-050)	1				-5301
FD31-39-050 A (FD31-39-050A)	1				5301-5C06
*FD31-39-050A	1				5C06-
39-065		BOLT			
FD01-39-065	2				
39-065A		BOLT			
FD01-39-066	1				
39-710		FRAME,POWER PLANT			
FD01-39-710C A (FD01-39-710D)	1				-5C03
*FD01-39-710D	1				5C03-
39-723A		STOPPER			
FD01-39-723	1				
56-3A1		MEMBER 'A', TUNNEL			
FD01-56-3A1	1				
56-3B1		MEMBER 'B', TUNNEL			
FD01-56-3B1	1				
56-3C1		MEMBER 'C', TUNNEL			
FD01-56-3C1D	1				
4A01	FD333	-400014			
5301	FD333	-400027			
5C03	FD333	-400346			
5C06	FD333	-400368			

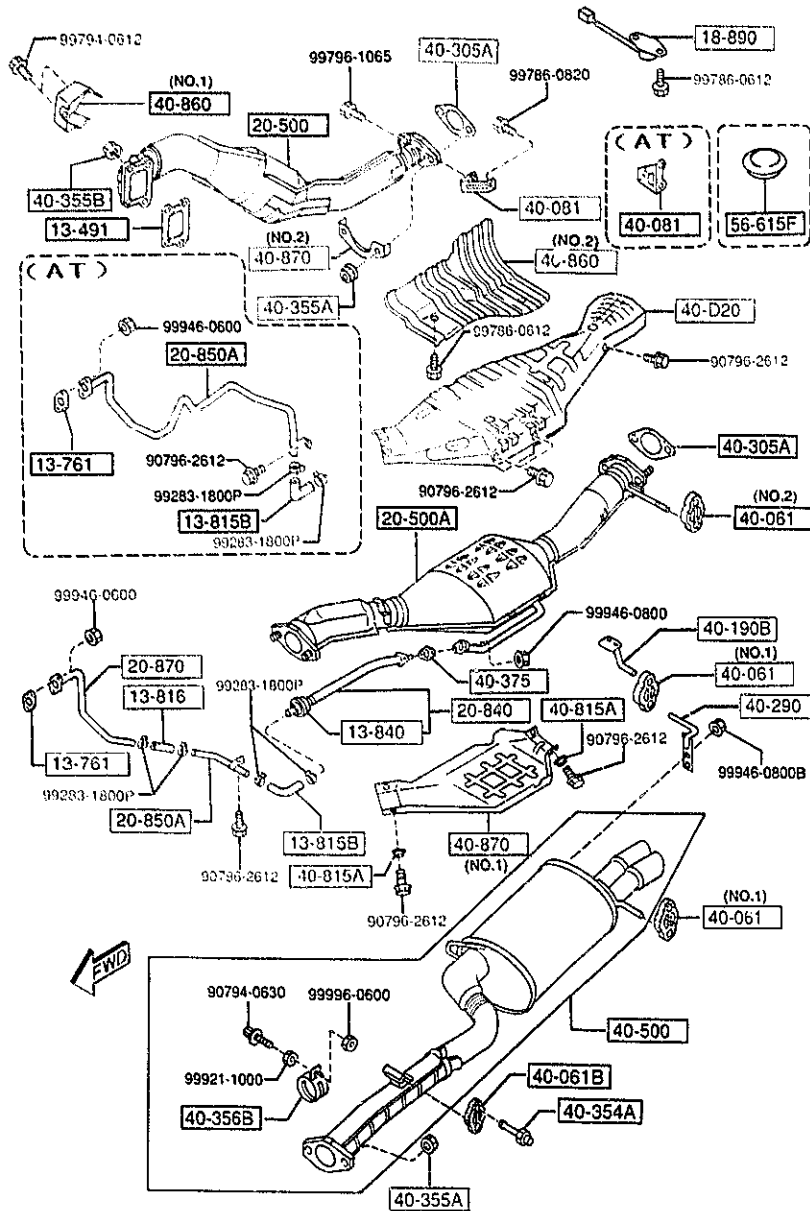
4000 EXHAUST SYSTEM



PART NO.	QTY	MODEL/RESTRICTION	MODEL/RESTRICTION	MODEL/RESTRICTION	FROM TO
13-491		GASKET, JOINT PIPE			
N3A1-13-491	1				
13-761		GASKET			
N3B6-13-535	1	NON ASBESTOS			
13-815B		HOSE, AIR			
N3A1-13-815A	1	(AT)			
N3A7-13-815	1	(MT)			
13-816		HOSE, AIR			
N3A1-13-816A	1	(MT)			
13-840		VALVE, CHECK			
N3A2-13-840	1				
18-890		SWITCH, THERMO			
N3A1-18-890	1				
20-500		CONVERTER, CATALYST			
N3D8-20-500	1	(MT)			
N3D9-20-500	1	(AT)			
20-500A		CATALYST, THREE WAY			
N3D8-20-600	1	(MT)			
N3D9-20-600	1	(AT)			
20-840		PIPE, AIR			
N3A2-20-840B	1				
20-850A		PIPE, AIR			
N3A1-20-850A	1	(MT)			
N3C2-20-850	1	(AT)			
20-870		PIPE, AIR			
N3B7-20-870B	1	(MT)			
40-D20		INSULATOR, CONVERTER			
N3A1-40-D20F	1				

4000 EXHAUST SYSTEM

4000 -2 EXHAUST SYSTEM



PART NO.	QTY	MODEL/RESTRICTION	MODEL/RESTRICTION	MODEL/RESTRICTION	FROM-TO
40-061		HANGER, SILENCER			
N3A2-40-061A	1	(ILLUST. NO. 2)			
N3A1-40-061D A (N3A1-40-061E)	2	(ILLUST. NO. 1)			-5801
N3A1-40-061E	2	(ILLUST. NO. 1)			5801-
40-061B		RUBBER, HANGER			
FE20-40-061	1				
40-081		BRACKET, HANGER			
N3A1-40-080A	1	(MT)			
N3A2-40-080	1	(AT)			
40-190B		BRACKET, HANGER			
N3A1-40-190	1				
40-290		HANGER			
N3A1-40-290	1				
40-305A		GASKET NON ASBESTOS			
RF36-40-305	2				
40-354A		BOLT			
N3A1-40-354	1				
40-355A		NUT			
JE11-40-355	4				
40-355B		NUT			
JE10-40-355	4				
40-356B		BAND			
N3A8-40-356	1				
40-375		GASKET			
N37B-40-307	1				
40-500		SILENCER, MAIN			
N3C1-40-100A	1				
5801 FD333 -400230					

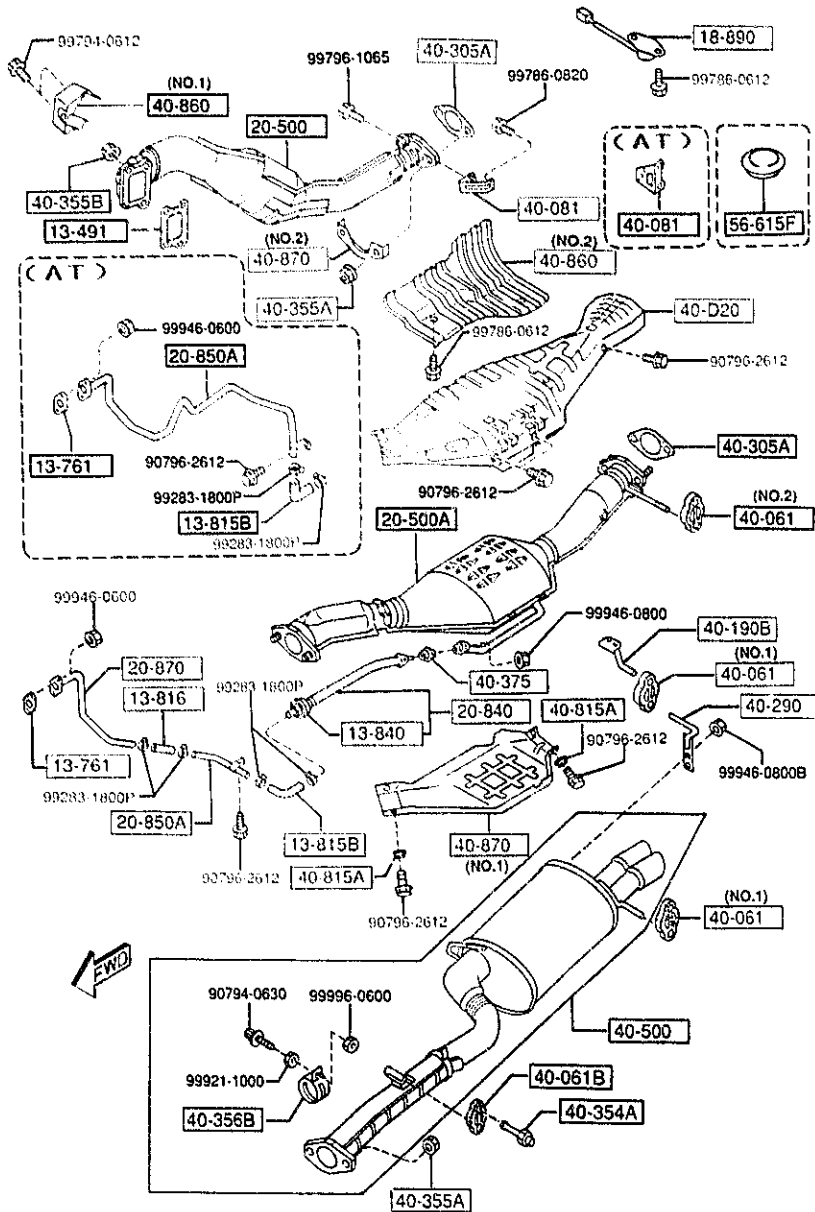
AUFA06

CAT. AUFA06-04

1997-81

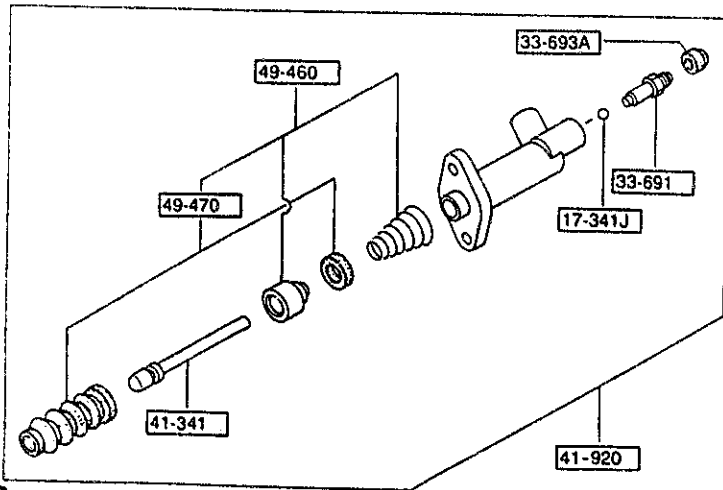
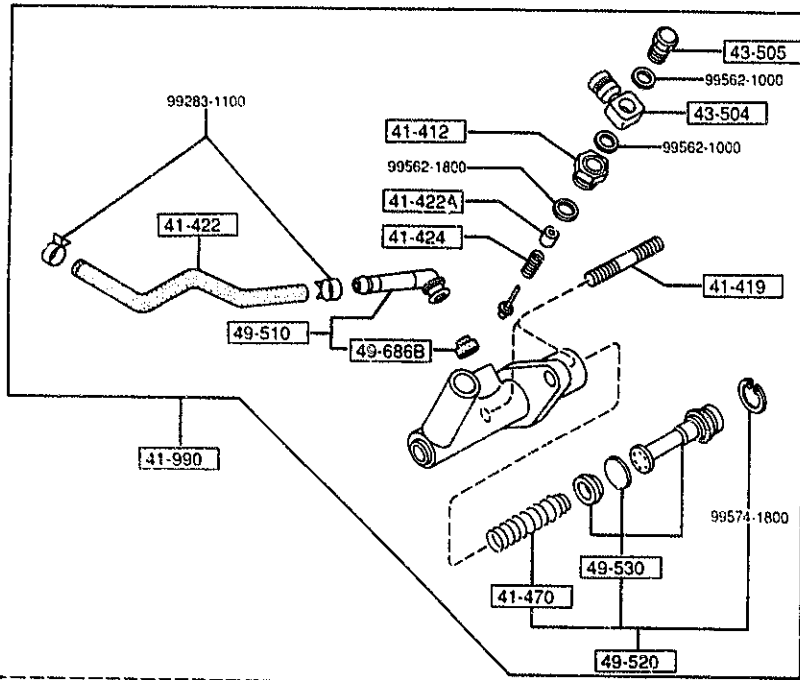
4000 EXHAUST SYSTEM

4000 -3 * EXHAUST SYSTEM



PART NO.	QTY	MODEL/RESTRICTION	MODEL/RESTRICTION	MODEL/RESTRICTION	FROM TO
40-815A		WASHER			
8545-40-815	2				
40-860		PROTECTOR, CONVERTER			
N3C1-40-860	1	(ILLUST. NO.1)			
N3A1-40-865A	1	(ILLUST. NO.2)			
40-870		PROTECTOR			
N3A1-40-870B	1	(ILLUST. NO.1)			
N3A1-40-872	1	(ILLUST. NO.2)			
56-615F		PLUG, DRAIN			
0208-56-615	1				

4140 CLUTCH RELEASE & MASTER CYLINDERS (MANUAL TRANSMISSION)



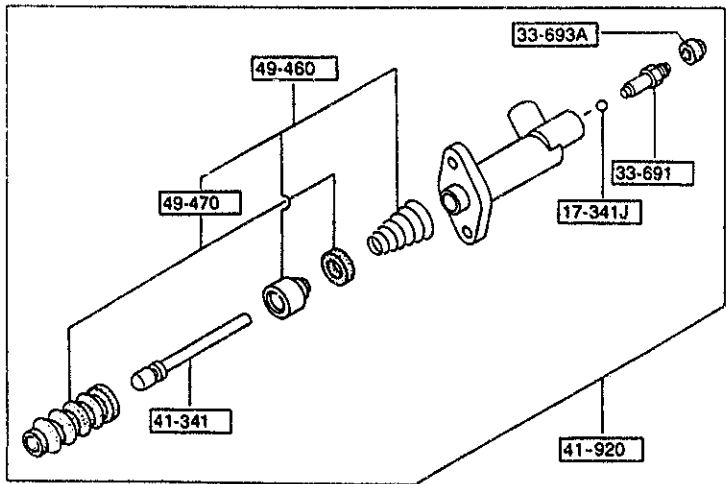
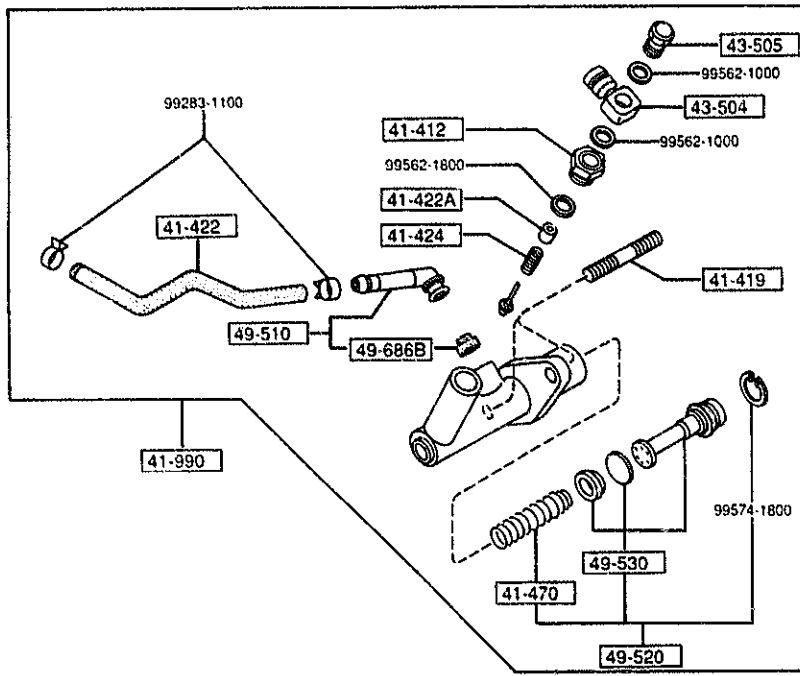
PART NO.	QTY	MODEL/RESTRICTION	MODEL/RESTRICTION	MODEL/RESTRICTION	FROM 10
17-341J	1	BALL, STEEL			
99611-1500	1				
33-691	1	SCREW, BLEEDER			
0259-33-691	1				
33-693A	1	CAP, BLEEDER SCREW			
0259-33-693	1				
41-341	1	ROD, PUSH			
H266-41-341	1				
41-412	1	BOLT, JOINT			
G091-41-412	1				
41-419	2	STUD, CLUTCH CYL.			
FD01-41-419	2				
41-422	1	HOSE, RESERVE			
F100-41-421	1				
41-422A	1	PISTON, O.W. VALVE			
0813-41-422D	1				
41-424	1	SPRING, O.W. VALVE			
H005-41-424	1				
41-470	1	SPRING			
B312-41-470	1				
41-920	1	CYL., CLUTCH RELEASE			
FD01-41-920	1				
41-990	1	CYL., CLUTCH MASTER			
F100-41-990B	1				
43-504	1	JOINT, PIPE			
W023-43-504	1				
43-505	1	BOLT, CONNECTOR			
W023-43-505	1				

AUFA06

CAT. AUFA06-04

1997-01

4140 CLUTCH RELEASE & MASTER CYLINDERS (MANUAL TRANSMISSION)



PART NO.	QTY	MODEL/RESTRICTION	MODEL/RESTRICTION	MODEL/RESTRICTION	FROM TO
49-460		PARTS KIT, INNER			
FD01-49-460	1				
49-470		SEAL KIT			
FD01-49-470	1				
49-510		BUSH SET			
W001-49-510	1				
49-520		PARTS KIT, INN. -CLUTCH			
B312-41-52Z	1				
49-530		SEAL KIT			
B312-41-53Z	1				
49-686B		BUSH, ELBOW JOINT			
0839-49-686A	1				

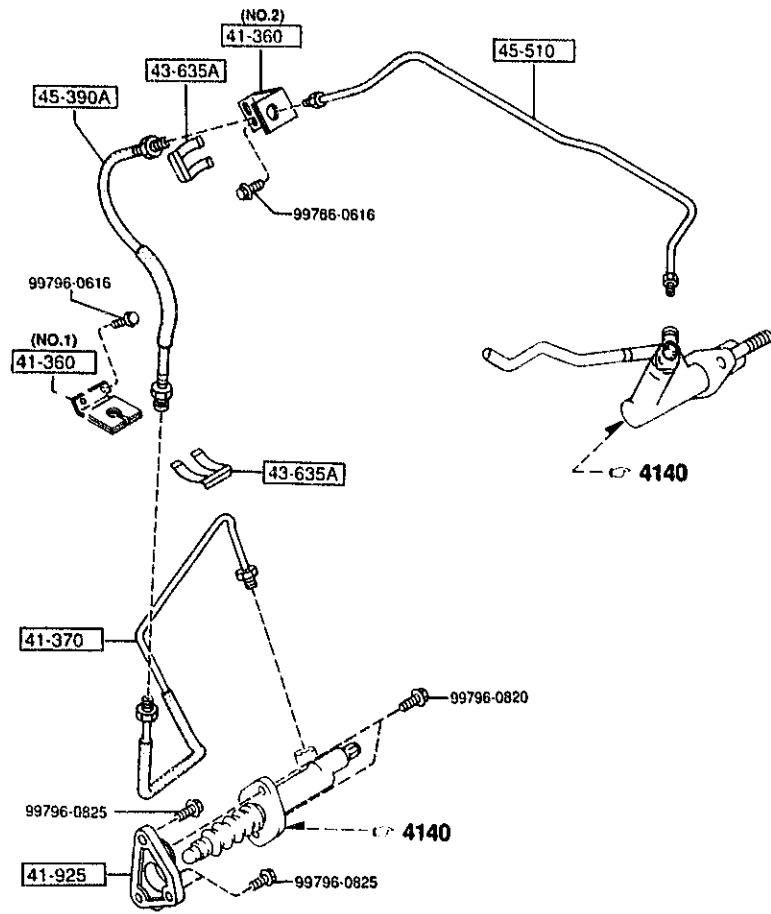
AUFA06

CAT. AUFA06-04

1997-01

4145 CLUTCH PIPINGS (MANUAL TRANSMISSION)

4145 -1 * CLUTCH PIPINGS (MANUAL TRANSMISSION)



PART NO.	QTY	MODEL/RESTRICTION	MODEL/RESTRICTION	MODEL/RESTRICTION	FROM-TO
41-360		HOLDER, CLUTCH			
FD03-41-370	1	(ILLUST. NO. 1)			
F100-41-370	1	(ILLUST. NO. 2)			
41-370		PIPE, CLUTCH			
FD01-41-360A	1				
41-925		SUPPORT, CLUTCH RELEASE			
N315-16-921	1				
43-635A		CLIP, FLEXIBLE HOSE			
0136-43-635	2				
45-390A		HOSE, CLUTCH FLEXIBLE			
HE01-45-540	1				
45-510		PIPE, CLUTCH			
FD01-45-510D	1				



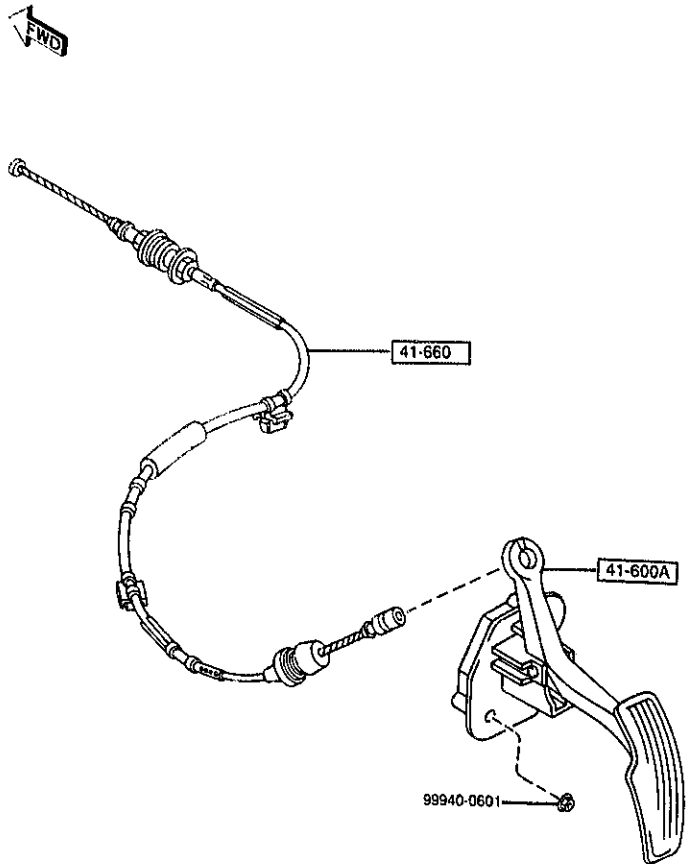
AUFA06

CAT. AUFA06-04

1997-01

4160 ACCELERATOR CONTROL SYSTEM

4160 -1 * ACCELERATOR CONTROL SYSTEM



PART NO.	QTY	MODEL/RESTRICTION	MODEL/RESTRICTION	MODEL/RESTRICTION	FROM-TO
41-600A FD01-41-600B	1	PEDAL, ACCEL.			
41-660 FD01-41-660B	1	CABLE, ACCEL.			

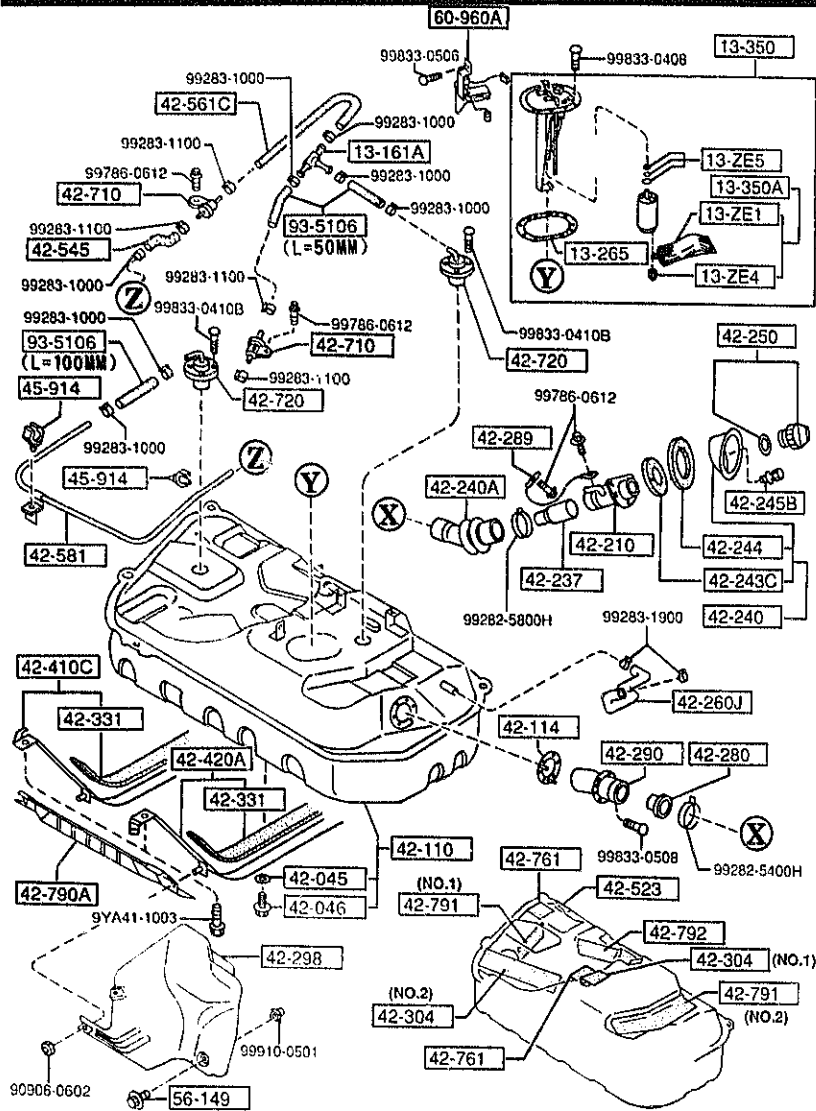
AUFA06

CAT. AUFA06-04

1997-01

4200 FUEL TANK

4200 -1 FUEL TANK



PART NO.	QTY	MODEL/RESTRICTION	MODEL/RESTRICTION	MODEL/RESTRICTION	FROM TO
13-ZE1		FILTER, FUEL PUMP			
JE17-13-ZE1	1	DENSO			
13-ZE4		WASHER, LOCK-PUMP FILTER			
FEH2-13-ZE4	1	NIPPONDENSO (JAPAN)			
13-ZE5		RING, 'O'-FUEL PUMP			
BP02-13-ZE5	1				
13-161A		JOINT 'T'			
E580-13-161	1				
13-265		GASKET			
H630-60-962	1				
13-350		PUMP, FUEL			
NSA1-13-35Z	1				
13-350A		PUMP, FUEL-SUB			
N390-13-350	1				
42-045		GASKET, DRAIN PLUG			
0866-42-046	1				
42-046		PLUG, DRAIN			
B596-42-045	1				
42-110		TANK, FUEL			
FD31-42-110	1	(MT)			
FD33-42-110	1	(AT)			
42-114		GASKET, FILLER PIPE/TANK			
HG31-42-114	1				
42-210		PIPE, FILLER			
FD01-42-210A	1				
42-237		PIPE, INNER			
FD01-42-237	1				



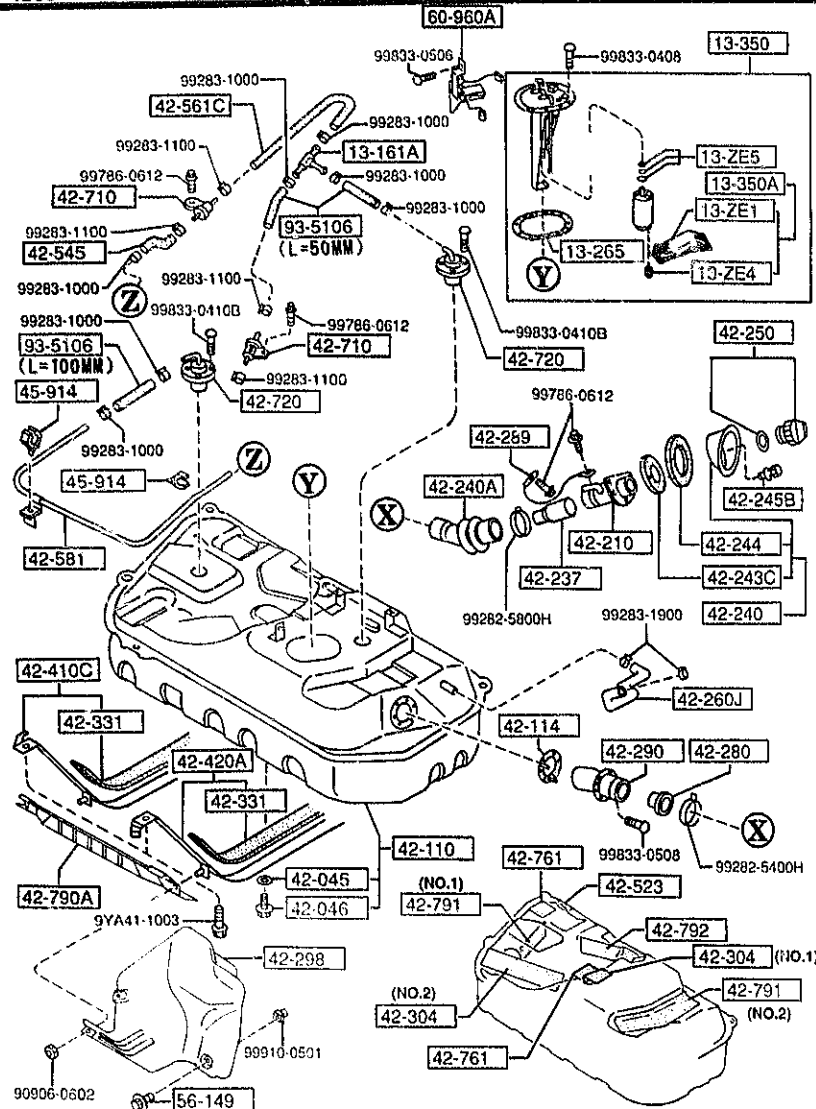
AUFA06

CAT. AUFA06-04

1997-01

4200 FUEL TANK

4200 -2 FUEL TANK



PART NO.	QTY	MODEL/RESTRICTION	MODEL/RESTRICTION	MODEL/RESTRICTION	FROM-TO
42-240		COVER, DUST			
FD01-42-242	1				
42-240A		HOSE, JOINT-FILLER PIPE			
FD01-42-231A	1				
42-243C		GASKET 'A', REINFORCEMENT			
GE60-42-243	1				
42-244		GASKET 'B', DUST COVER			
FD01-42-244	1				
42-245B		BOLT, DUST COVER			
H260-42-245A	2				
42-250		CAP, FILLER			
UE54-42-250	1				
42-260J		HOSE, BREATHER			
FD01-42-232	1				
42-280		VALVE, NON RETURN			
D061-42-270	1				
42-289		WIRE, EARTH-FILLER PIPE			
FD01-42-289	1				
42-290		PIPE, FILLER NO.2			
FD17-42-11X	1				
42-298		PROTECTOR, FILLER HOSE			
FD01-42-298	1				
42-304		PAD, FUEL TANK			
B455-42-761	1	NISSHO (ILLUST. NO.1)			
FD01-42-762	1	RYODEN (ILLUST. NO.2)			
42-331		SHEET			
J001-42-715	2				



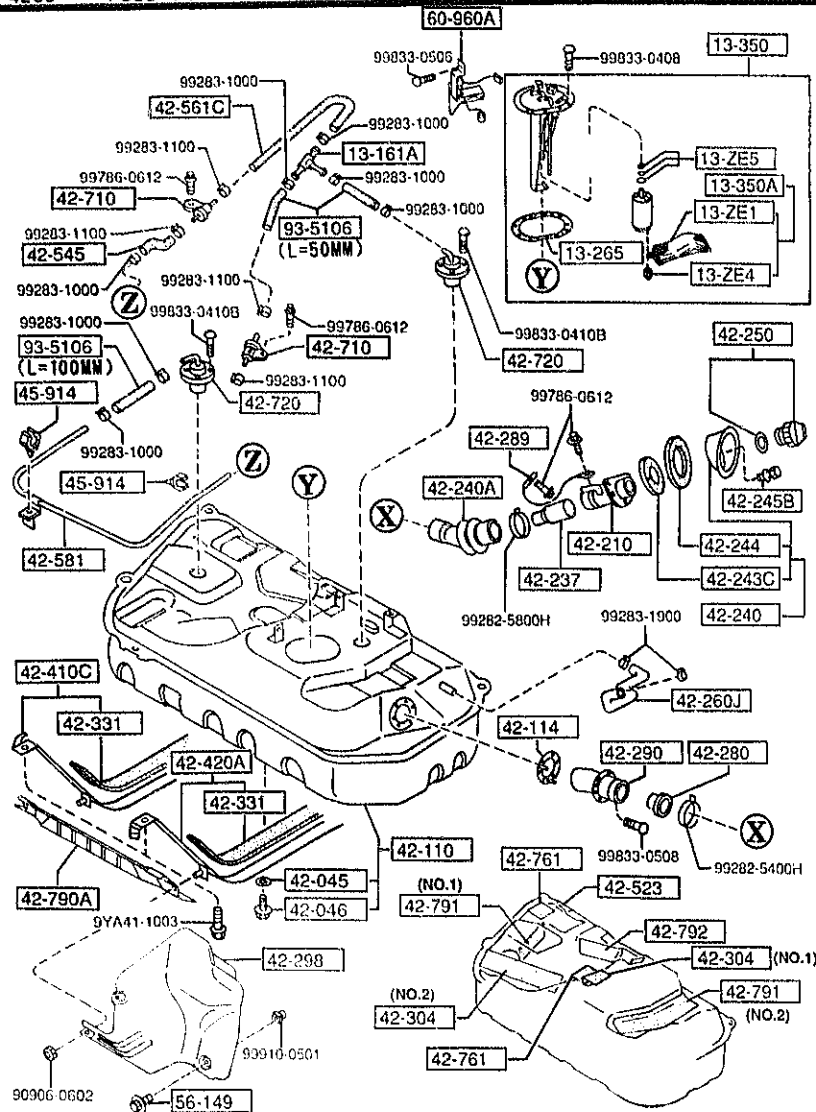
AUFA06

CAT. AUFA06-04

1997-01

4200 FUEL TANK

4200 -3 FUEL TANK



PART NO.	QTY	MODEL/RESTRICTION	MODEL/RESTRICTION	MODEL/RESTRICTION	FROM-TO
42-410C		BAND(R), TANK FIX.			
FD01-42-710	1				
42-420A		BAND(L), TANK FIX.			
FD01-42-720	1				
42-523		PAD, FUEL TANK			
FD01-42-767	1				
42-545		HOSE, FUEL			
FD01-42-545	1				
42-561C		HOSE NO.1, BREATHER			
HG30-42-561	1				
42-581		HOSE, BREATHER			
FD31-42-511A	1				
42-710		VALVE, CHECK			
GA5R-42-910	2				
42-720		VALVE, FUEL VAPOR.			
BC1M-42-980	2				- 5501
A (BC1M-42-980A)					
BC1M-42-980A	2				5501 -
42-761		PAD			
FD01-42-761	2				
42-790A		PROTECTOR, FUEL TANK			
FD01-42-790	1				
42-791		PAD, FUEL TANK			
B529-42-763	1	NISSHO (ILLUST. NO.1)			
FD01-42-763	1	MOLTEN (ILLUST. NO.2)			
42-792		PAD, FUEL TANK			
FD01-42-768	1				
5501 FD333 -400229					

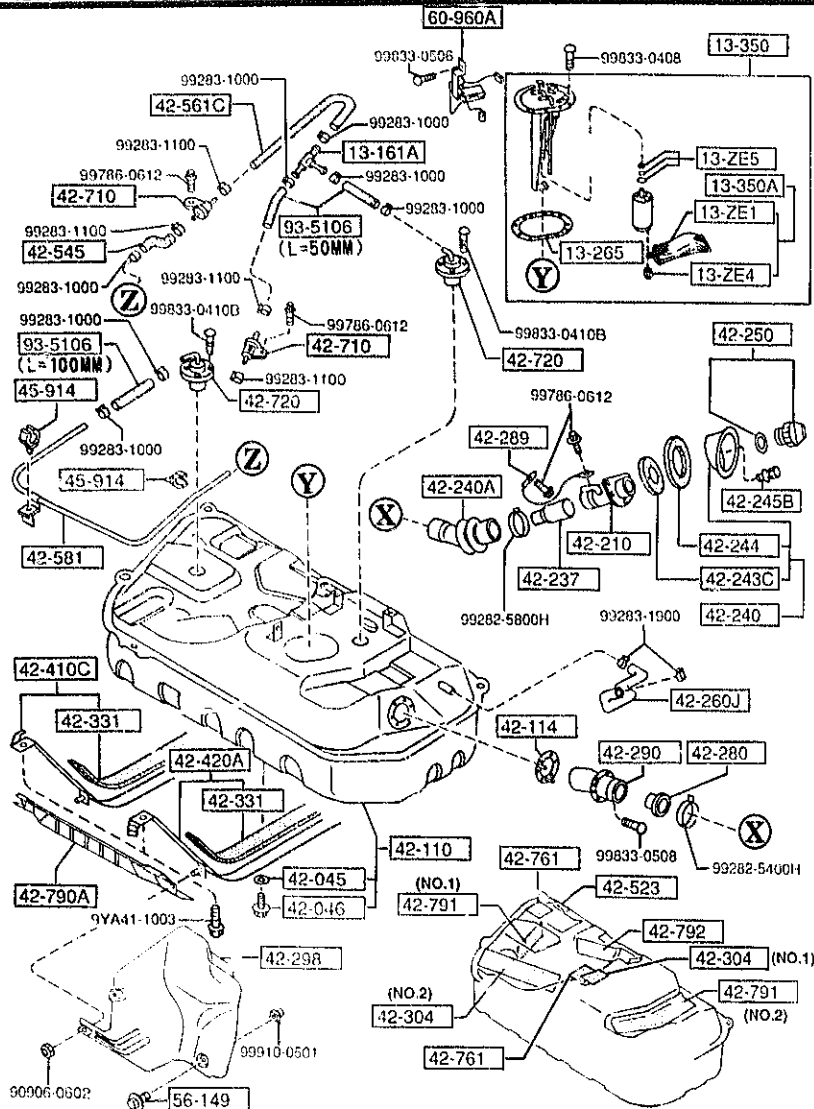
AUFA06

CAT. AUFA06-04

1997-01

4200 FUEL TANK

4200 -4 * FUEL TANK



PART NO.	QTY	MODEL/RESTRICTION	MODEL/RESTRICTION	MODEL/RESTRICTION	FROM TO
45-914	2	HOLDER, PIPE			
FB01-45-914		NIFUKO			
56-149	3	SCREW, TAPPING-MUD GUARD			
B455-56-149					
60-960A	1	GAUGE, FUEL TANK			
FD01-60-960A		(MT)			
FD17-60-960	1	(AT)			
93-5106	1	HOSE			
99351-06999	1	L=1M CUT IT TO USE			



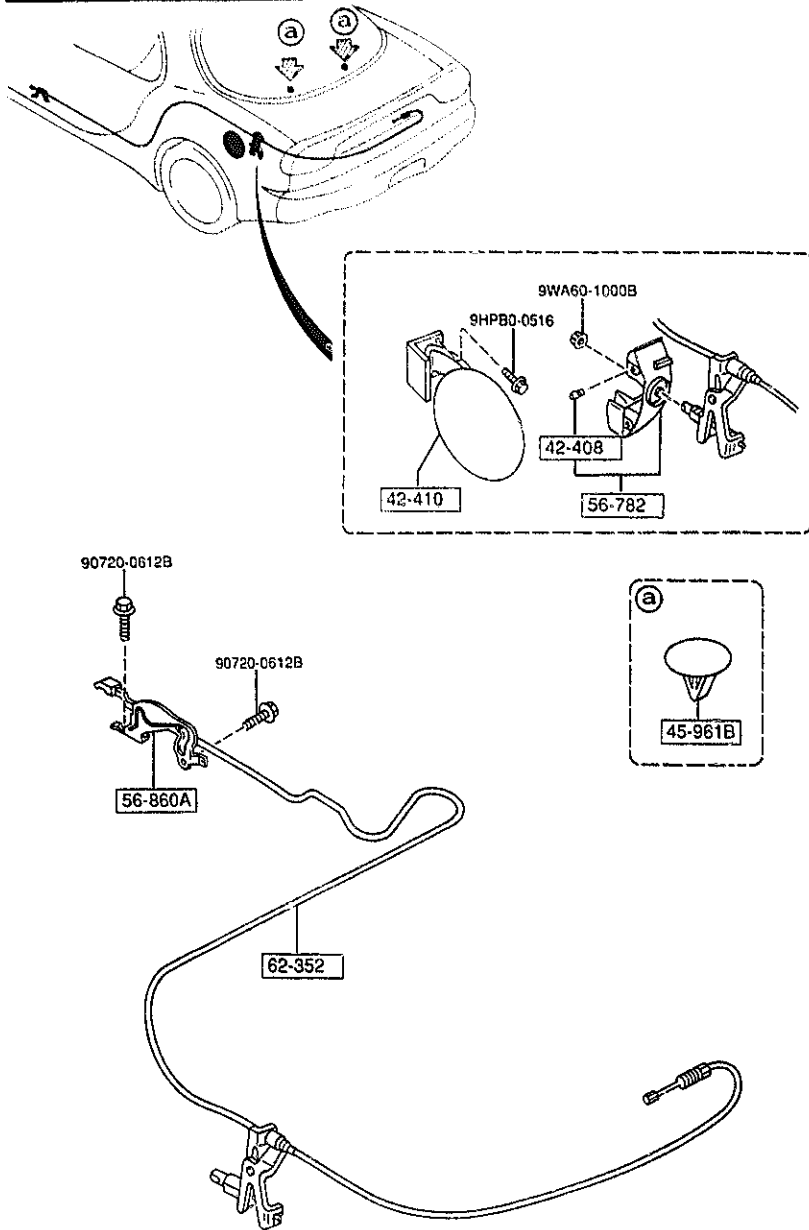
AUFA06

CAT. AUFA06-04

1997-01

4210 FUEL LID OPENER

4210 -1 * FUEL LID OPENER



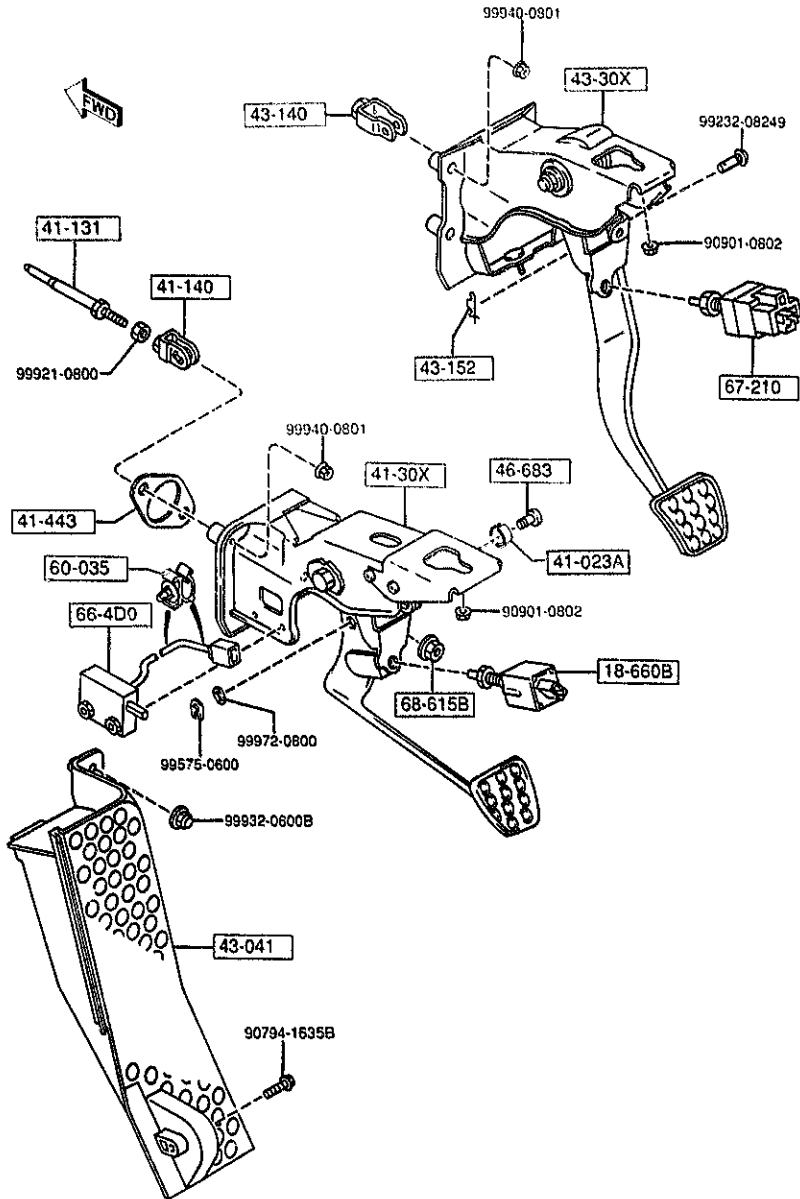
PART NO.	QTY	MODEL/RESTRICTION	MODEL/RESTRICTION	MODEL/RESTRICTION	FROM-TO
42-408		STOPPER, FILLER LID			
0187-70-491	2				
42-410		LID, FUEL FILLER			
FD01-42-41X	1				
45-961B		CAP			
H002-45-961	2				
56-782		BRACKET, STOPPER			
FD01-56-83XC	1				
56-860A		LEVER, OPENER			
FD01-56-860C	1				
62-352		CABLE, OPENER			
FD01-56-870A	1				

AUFA06

CAT. AUFA06-04

1997-01

4300 CLUTCH & BRAKE PEDALS (MANUAL TRANSMISSION)

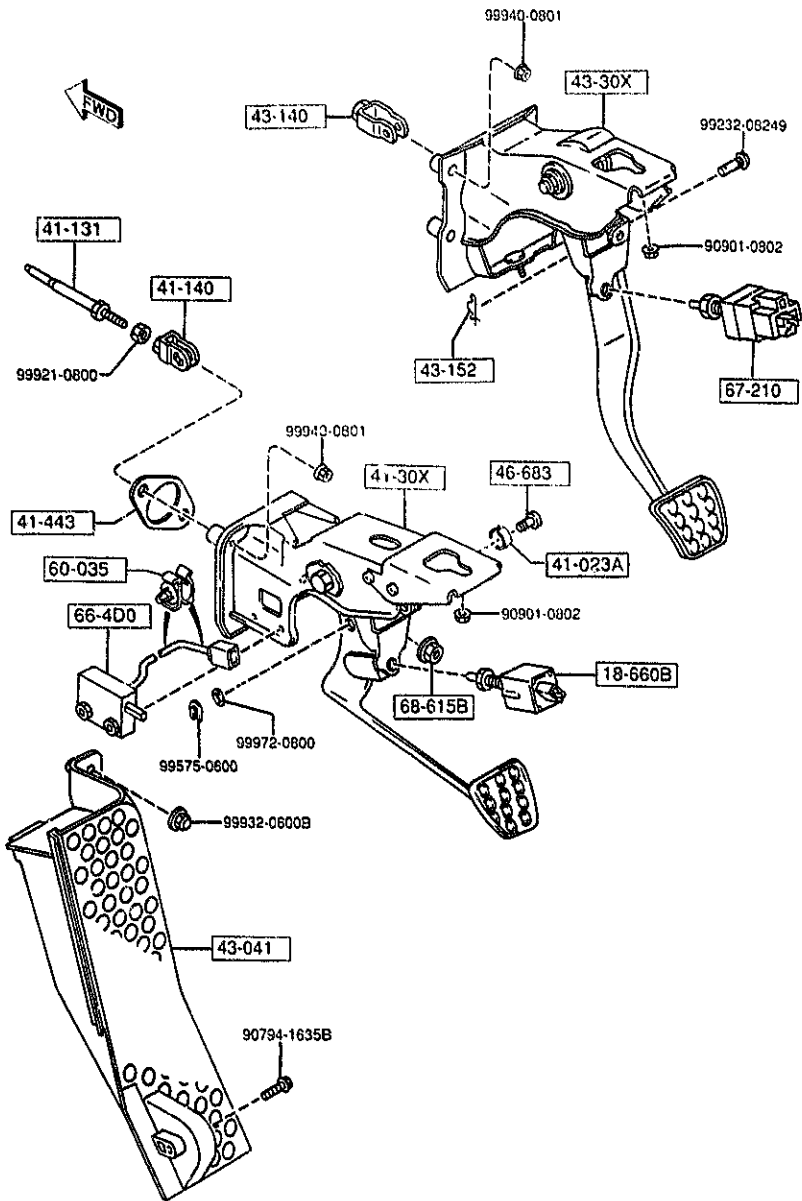


4300 -1 CLUTCH & BRAKE PEDALS (MANUAL TRANSMISSION)

PART NO.	QTY	MODEL/RESTRICTION	MODEL/RESTRICTION	MODEL/RESTRICTION	FROM-TO
18-660B		SWITCH, CLUTCH			
LA01-66-490A	1				
41-023A		BUSH			
0727-41-023	1				
41-131		ROD, PUSH			
0727-41-131	1				
41-140		FORK, CLUTCH			
0305-41-140	1				
41-30X		PEDAL, CLUTCH			
FD01-41-30XA	1				
41-443		GASKET			
H001-41-443	1				
43-041		REST, FOOT			
FD01-43-041	1				
43-140		FORK, BRAKE			
HE01-43-140	1				
43-152		PIN, SNAP			
D001-43-152	1				
43-30X		PEDAL, BRAKE			
FD01-43-30XA AN(FD01-43-30XB)	1				-4814
FD01-43-30XB	1				4814-
46-683		PIN			
0187-46-683	1				
60-035		CLIP, C.S.D. WIRE			
W201-60-035	2				
66-4D0		SWITCH, CLUTCH CUT			
HF05-66-4D0	1				

4814 FD333 -400022

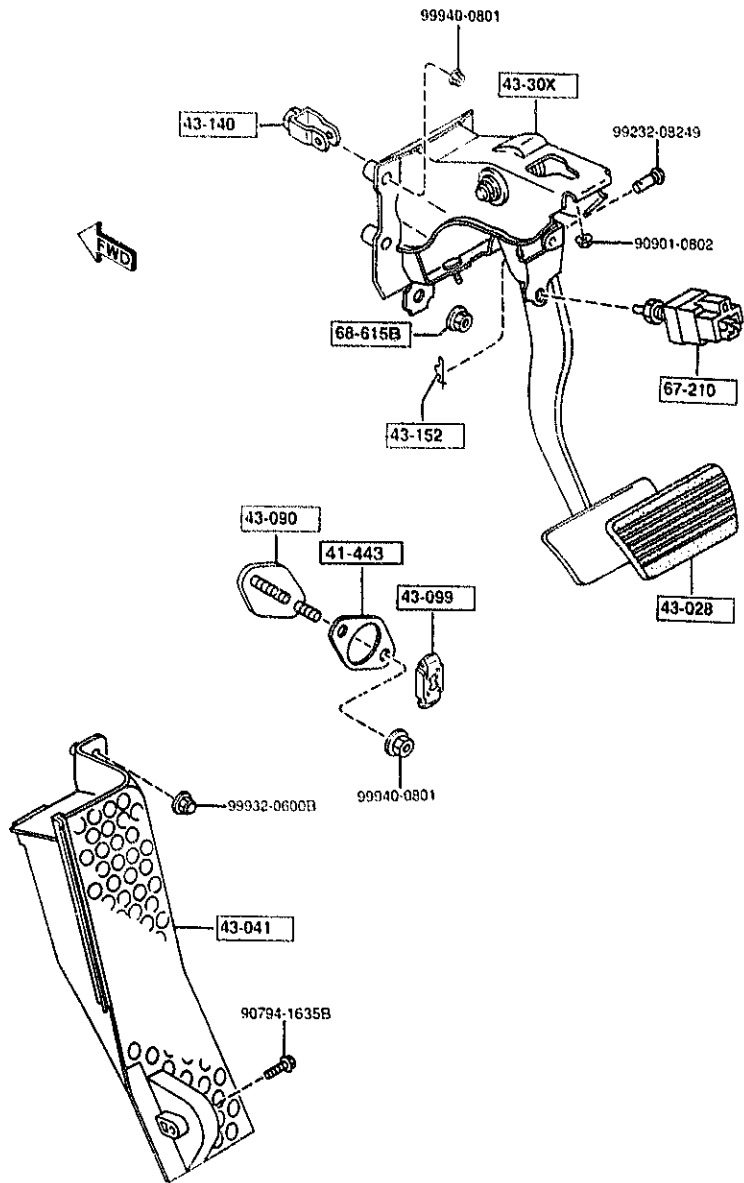
4300 CLUTCH & BRAKE PEDALS (MANUAL TRANSMISSION)



4300 -2 * CLUTCH & BRAKE PEDALS (MANUAL TRANSMISSION)

PART NO.	QTY	MODEL/RESTRICTION	MODEL/RESTRICTION	MODEL/RESTRICTION	FROM-TO
67-210 BR70-66-490A	1	SWITCH, STOP-LAMP			
68-615B 8100-68-615	1	NUT, FLANGE-CAP			

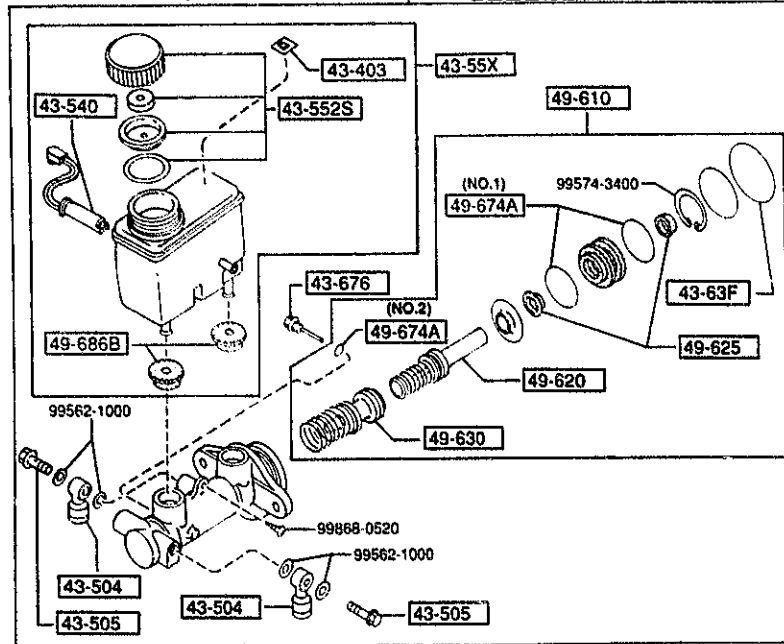
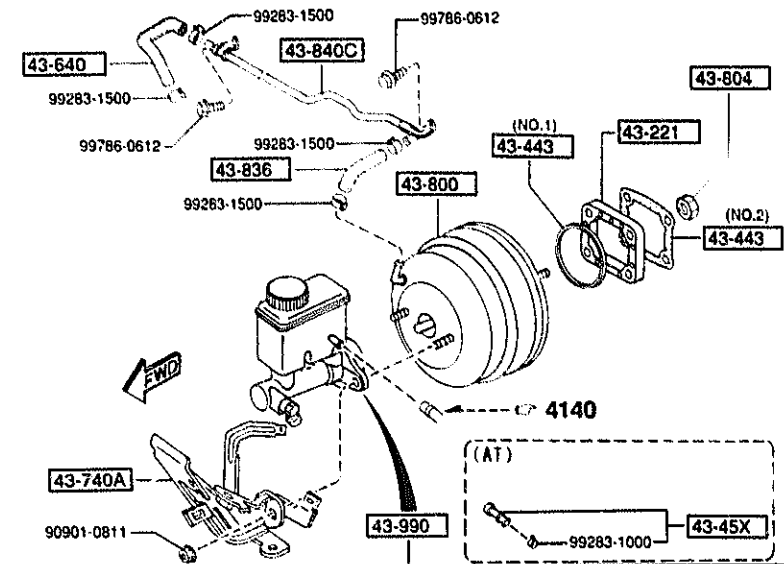
4300A BRAKE PEDALS (AUTOMATIC TRANSMISSION)



4300A -1 * BRAKE PEDALS (AUTOMATIC TRANSMISSION)

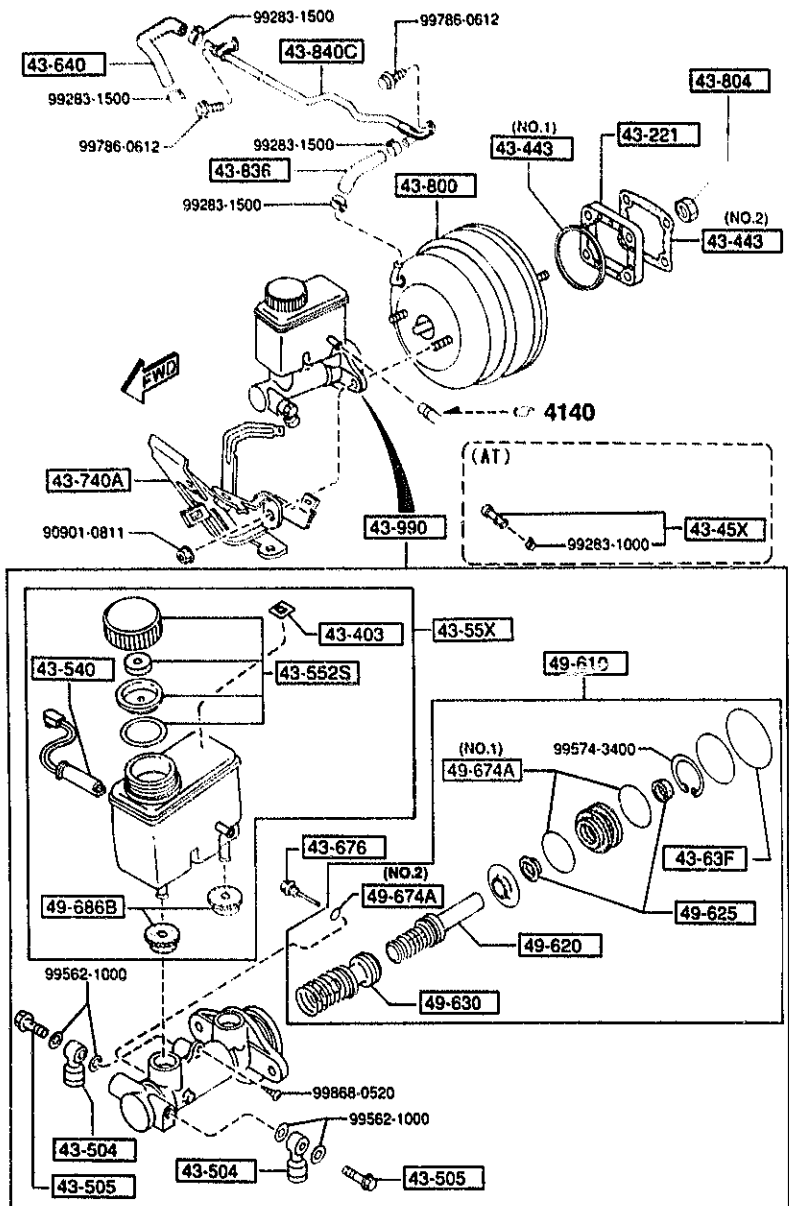
PART NO.	QTY	MODEL/RESTRICTION	MODEL/RESTRICTION	MODEL/RESTRICTION	FROM-TO
41-443		GASKET			
H001-41-443	1				
43-028		PAD, PEDAL			
H261-43-028	1				
43-041		REST, FOOT			
FD01-43-041	1				
43-090		PLATE			
HF23-43-090A	1				
43-099		HOLDER, PLATE			
HF23-43-099	1				
43-140		FORK, BRAKE			
HE01-43-140	1				
43-152		PIN, SNAP			
D001-43-152	1				
43-30X		PEDAL, BRAKE			
FD02-43-30XA AN(FD02-43-30XB)	1				-4807
FD02-43-30XB	1				4807-
67-210		SWITCH, STOP-LAMP			
BR70-66-490A	1				
68-615B		NUT, FLANGE-CAP			
B100-68-615	1				
4807 FD333 -400022					

4340 BRAKE MASTER CYLINDER & POWER BRAKE



PART NO.	QTY	MODEL/RESTRICTION	MODEL/RESTRICTION	MODEL/RESTRICTION	FROM-TO
43-221		SPACER			
FD01-43-221A	1				
43-803		LABEL, ISO			
TA04-43-403A	1				
43-443		GASKET, VAC POWER ASSIST			
FD01-43-443A	1	(ILLUST. NO.1)			
H001-43-443	1	NON ASBESTOS			
		(ILLUST. NO.2)			
43-45X		PROTECTOR			
B603-43-45XA	1	(AT)			
43-504		JOINT, PIPE			
W023-43-504	2				
43-505		BOLT, CONNECTOR			
W023-43-505	2				
43-540		INDICATOR, LEVEL			
FD04-43-540A	1				
43-55X		SET, TANK			
FDY1-43-55X	1				
43-552S		CAP SET, RESERVE TANK			
B603-49-580	1				
43-63F		RING, 'O'			
*B252-49-512	1				
43-640		HOSE, VACUUM			
FD01-43-640B	1				
43-676		BOLT SET			
H381-43-676	1				
43-740A		BRACKET, CABLE			
FD01-43-740B	1				

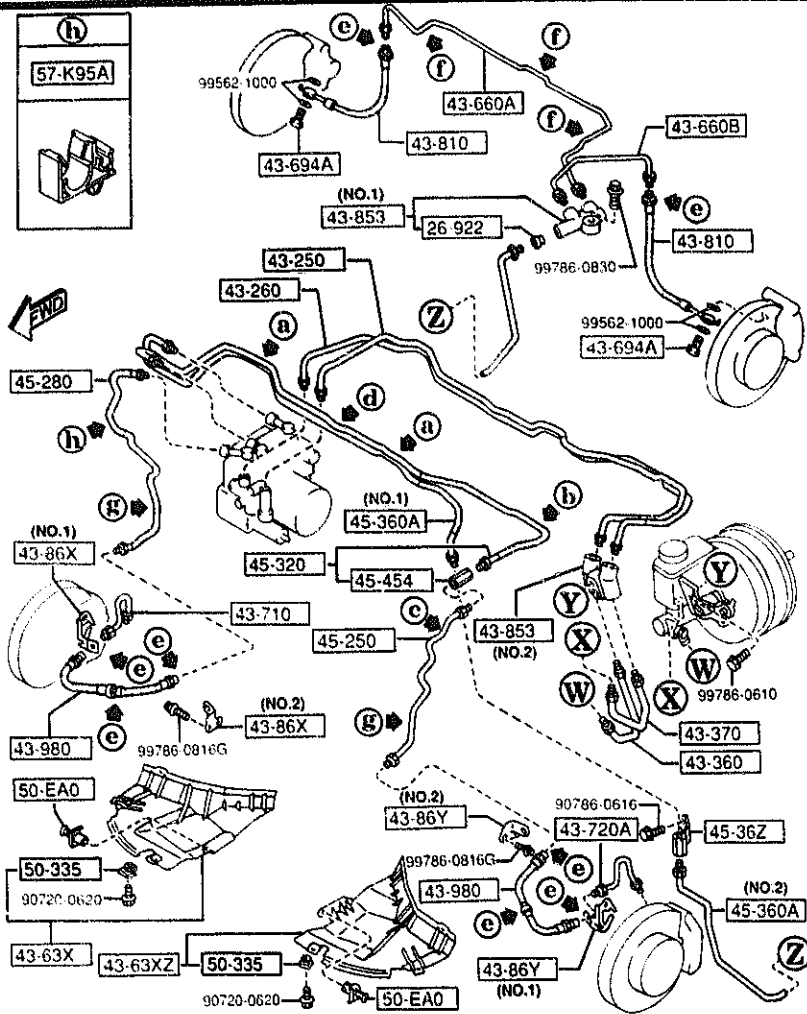
4340 BRAKE MASTER CYLINDER & POWER BRAKE



4340 -2 * BRAKE MASTER CYLINDER & POWER BRAKE

PART NO.	QTY	MODEL/RESTRICTION	MODEL/RESTRICTION	MODEL/RESTRICTION	FROM-TO
43-800		VACUUM POWER ASSIST			
FD04-43-800B	1				
43-804		NUT			
B01C-43-954	1				
43-836		HOSE, VACUUM			
FD01-43-836B	1				
43-840C		PIPE, VACUUM			
FD01-43-840B	1				
43-990		CYL., TANDEM MASTER			
FD04-43-402	1				
49-610		PARTS KIT, INN.-BRAKE			
B6Y4-43-412	1				-5901
AN(B6Y4-43-412A)	1				5901-
*B6Y4-43-412A	1				
49-620		PISTON, PRIMARY			
B533-43-622	1				
49-625		CUP, SECONDARY			
NA23-43-625	2				
49-630		PISTON, FLOATING			
B604-43-632	1				
49-674A		RING, 'O'-MASTER CYL.			
NA23-43-515	2	SHINEI KOGYO (ILLUST. NO.1)			
99541-00603	1	NOK (ILLUST. NO.2)			
49-686B		BUSH, ELBOW JOINT			
F100-49-686	2				
5901 FD333 -400232					

4360 BRAKE PIPINGS



(a)	(b)	(c)	(d)	(e)	(f)	(g)
45-920	45-921A	45-903G	45-964	43-635	45-919	45-914

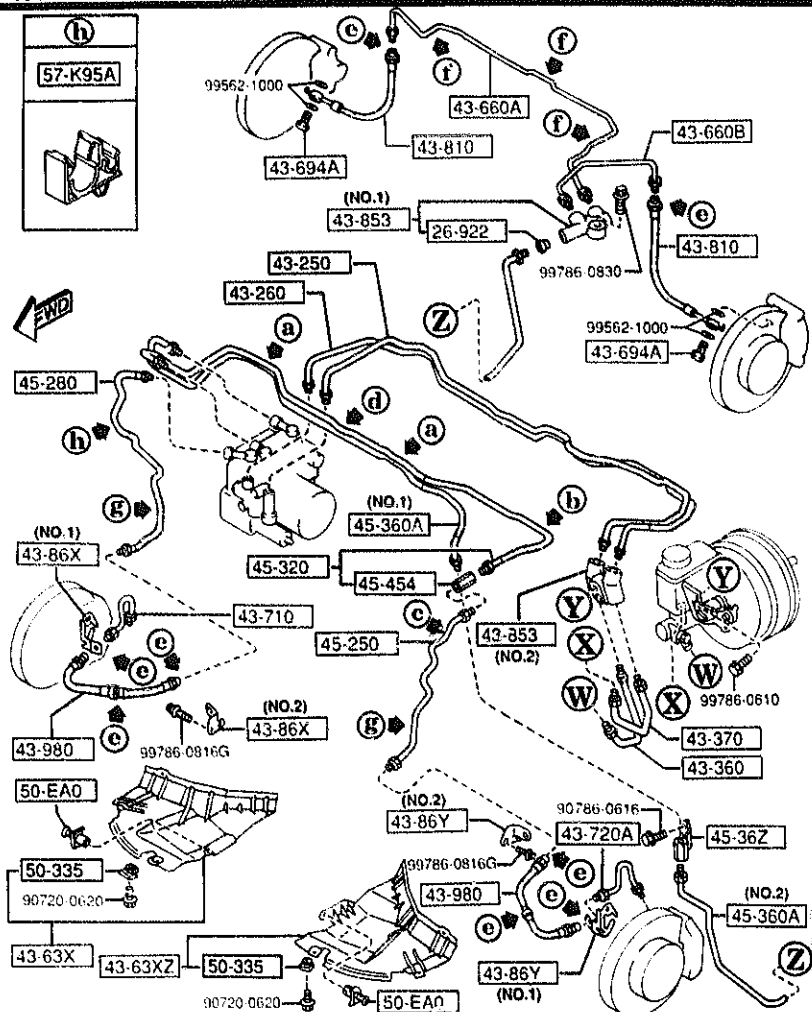
AUFA06

PART NO.	QTY	MODEL/RESTRICTION	MODEL/RESTRICTION	MODEL/RESTRICTION	FROM-TO
26-922		SHEET, TUBE			
0613-26-922	1				
43-250		PIPE NO.1, BRAKE-A. B.			
FD31-43-250B	1				
43-260		PIPE NO.2, BRAKE-A. B.			
FD31-43-260C	1				
43-360		PIPE, BRAKE			
FD04-43-360B	1				
43-370		PIPE, BRAKE			
FD04-43-370B	1				
43-63X		DUCT(R), AIR-BRAKE PIPE			
FD01-43-63XF	1	(NOR. SUSP)			
FD03-43-63XF	1	(HARD SUSP)			
43-63X2		DUCT(L), AIR-BRAKE PIPE			
FD01-43-64XE	1	(NOR. SUSP)			
FD03-43-64XE	1	(HARD SUSP)			
43-635		CLIP, FLEXIBLE HOSE			
W023-43-635	8				-4927
A (W023-43-635A)					4927-
W023-43-635A	8				
43-660A		PIPE(R), BRAKE-REAR			
FD01-43-670B	1				
43-660B		PIPE(L), BRAKE-REAR			
FD01-43-680B	1				
43-694A		BOLT, CONNECTOR			
B001-43-694A	2				
43-710		PIPE(R), BRAKE-FRONT			
FD01-43-710A	1				
4927 FD333 -400013					

CAT. AUFA06-04

1997-01

4360 BRAKE PIPINGS



a	b	c	d	e	f	g
45-920	45-921A	45-903G	45-964	43-635	45-919	45-914

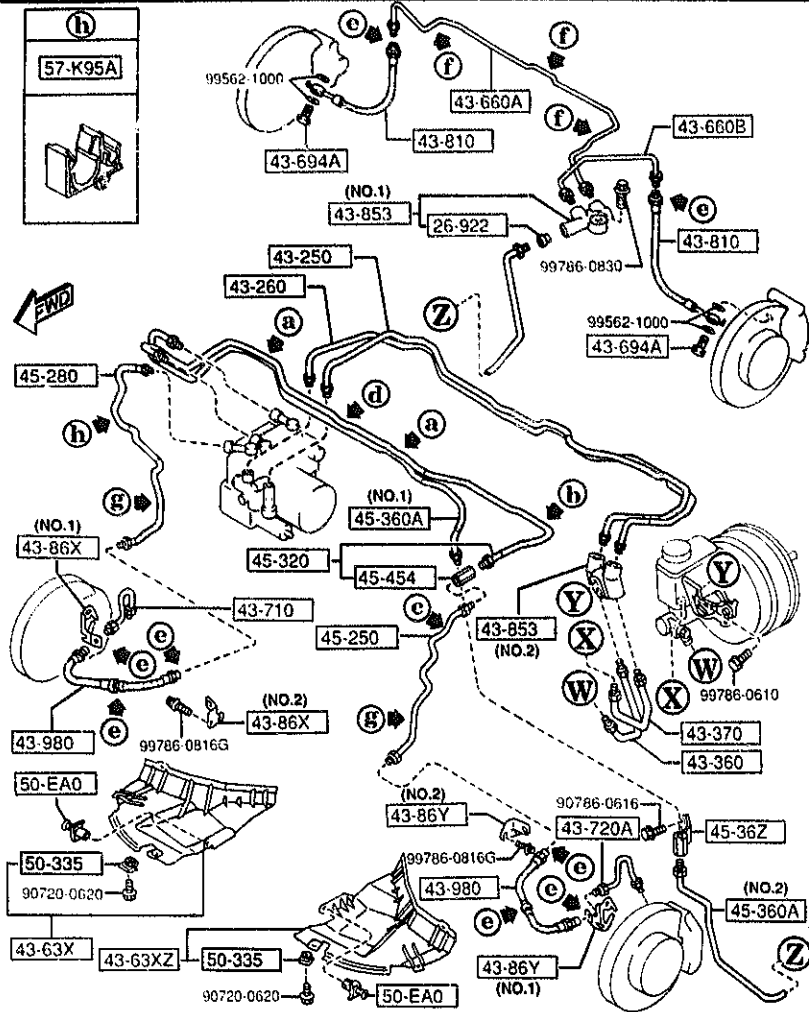
PART NO.	QTY	MODEL/RESTRICTION	MODEL/RESTRICTION	MODEL/RESTRICTION	FROM TO
43-720A		PIPE(L), BRAKE-FRONT			
FD01-43-720A	1				
43-810		HOSE, FLEXIBLE			
FD01-43-810A	2				
43-853		JOINT, PIPE			
F100-43-85X	1	(ILLUST. NO. 1)			
B455-43-853	1	(ILLUST. NO. 2)			
43-86X		BRACKET, HOSE			
FD01-43-86XB	1	(ILLUST. NO. 1)			
FD01-43-87XA	1	(ILLUST. NO. 2)			
43-86Y		BRACKET, HOSE			
FD01-43-86YB	1	(ILLUST. NO. 1)			
FD01-43-87YA	1	(ILLUST. NO. 2)			
43-980		HOSE, FLEXIBLE			
FD01-43-980B	2				
45-250		PIPE, BRAKE-FRT			
FD01-45-33XC	1				
45-280		PIPE(R), BRAKE-FRONT			
FD31-45-280A	1				
45-320		PIPE(L), BRAKE-FRONT			
FD31-45-320A	1				
45-362		JOINT, FUEL PIPE			
FD01-45-362A	1				
45-360A		PIPE, BRAKE-REAR			
FD31-45-36XA	1	(ILLUST. NO. 1)			
FD01-45-360B	1	(ILLUST. NO. 2)			
45-454		JOINT, PIPE			
D001-45-367	1				

AUFA06

CAT. AUFA06-04

1997-01

4360 BRAKE PIPINGS



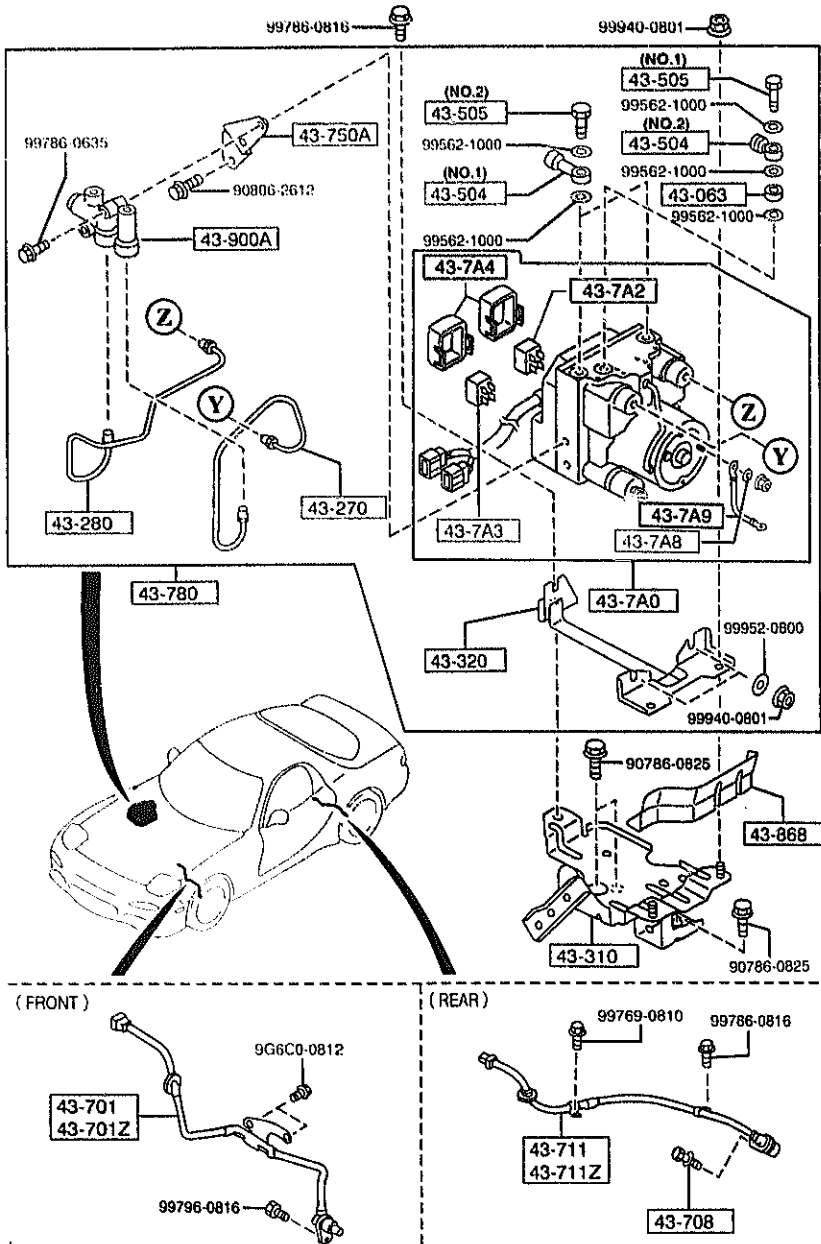
(a)	(b)	(c)	(d)	(e)	(f)	(g)
45-920	45-921A	45-903G	45-964	43-635	45-919	45-914

PART NO.	QTY	MODEL/RESTRICTION	MODEL/RESTRICTION	MODEL/RESTRICTION	FROM-TO
45-903G		CLIP,PIPE			
B455-45-916	1				
45-914		HOLDER,PIPE			
FB01-45-914	2	NIFUKU			
45-919		CLIP,PIPE			
B001-45-919B	3				
45-920		BRACKET			
NA20-45-920B	2				
45-921A		HOLDER,PIPE			
F100-45-92X	1				
45-964		HOLDER,PIPE-FRT BRAK E(L)			
F048-45-964B	1				
50-EA0		FASTENER			
EA01-50-EA0	2				
50-335		NUT,CLIP			
FB01-50-133C	4				
57-K95A		CLIP,AIR BAG			
FD14-57-K95	1				

2-K 7

4370 ANTILOCK BRAKE SYSTEM

4370 -1 ANTILOCK BRAKE SYSTEM



PART NO.	QTY	MODEL/RESTRICTION	MODEL/RESTRICTION	MODEL/RESTRICTION	FROM-TO
43-063		SPACER			
H083-43-506	1				
43-270		PIPE NO.3, BRAKE-A.B.			
FD31-43-270C	1				
43-280		PIPE NO.4, BRAKE-A.B.			
FD31-43-280B	1				
43-310		BRACKET NO 1, A.B.S.			
FD31-43-310	1				
43-320		BRACKET NO 2, A.B.S.			
FD31-43-320A	1				
43-504		JOINT, PIPE			
EA03-43-504B	2 (ILLUST. NO.1)				
W023-43-504	1 (ILLUST. NO.2)				
43-505		BOLT, CONNECTOR			
H083-43-505	1 (ILLUST. NO.1)				
W023-43-505	2 (ILLUST. NO.2)				
43-7A0		UNIT, HYDRAULIC-ABS			
FD31-43-7A0A A (FD31-43-7A0B)	1				-5410
FD31-43-7A0B	1				5410-
43-7A2		RELAY, MOTOR-HYD. UNI			
*H082-43-7A2	1				
43-7A3		RELAY, VALVE-HYD. UNI			
NA23-43-7A3	1				
43-7A4		COVER 'L', HYDRAULIC U NIT			
*H082-43-7A4	2				
43-7A8		WASHER, HYD. UNIT			
NA23-43-7A8	1				
5410 FD333 -400028					

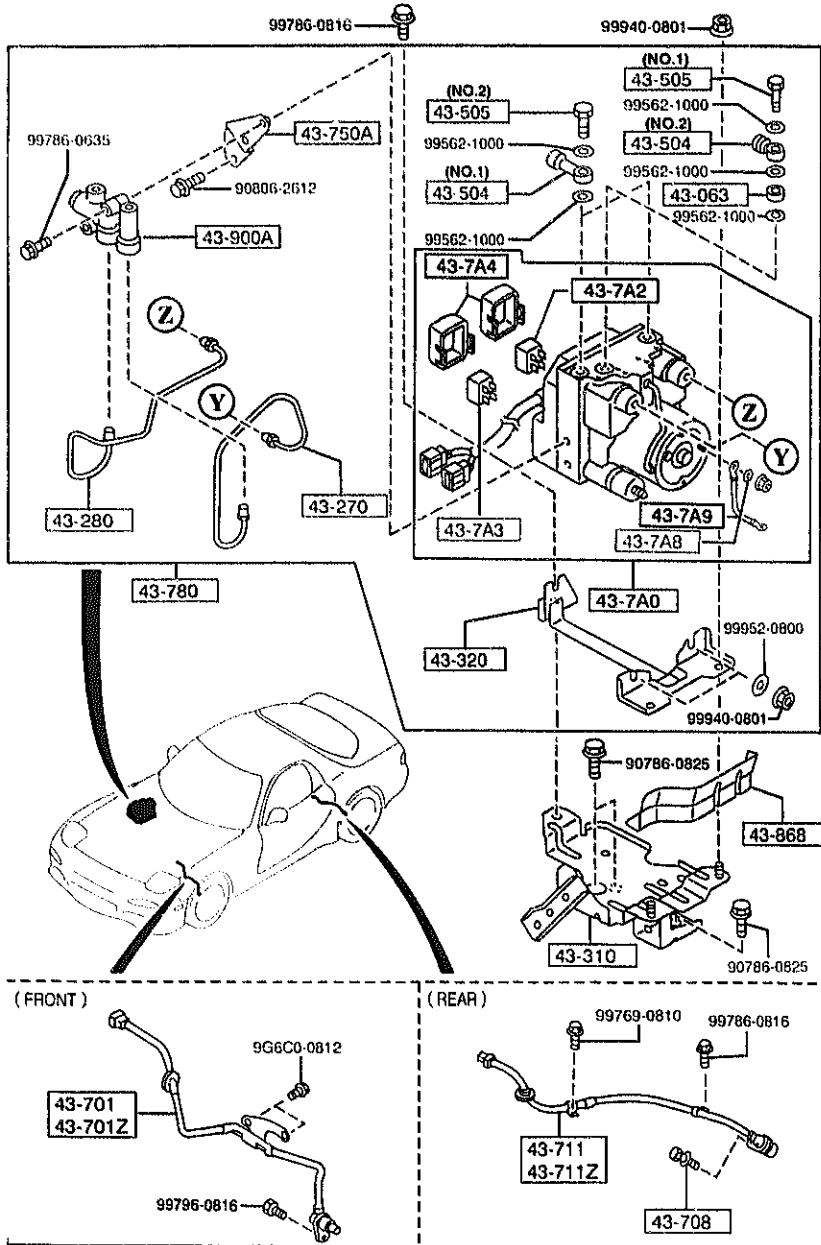
AUFA06

CAT. AUFA06-04

1997-01

4370 ANTILOCK BRAKE SYSTEM

4370 -2 * ANTILOCK BRAKE SYSTEM



PART NO.	QTY	MODEL/RESTRICTION	MODEL/RESTRICTION	MODEL/RESTRICTION	FROM-TO
43-7A9		WIRE, EARTH-HVD. UNIT			
*FD31-43-7A9	1				
43-701		SENSOR(R), FRT-A. B. S.			
FD05-43-70XB	1				
43-701Z		SENSOR(L), FRT-A. B. S.			
FD05-43-73XC	1				
43-708		BOLT, REAR SENSOR			
FD051-43-708A	2				
43-711		SENSOR(R), RR-A. B. S.			
FD04-43-71YC	1				
43-711Z		SENSOR(L), RR-A. B. S.			
FD04-43-72YC	1				
43-750A		HOLDER, P. B. VALVE			
FD31-43-750	1				
43-780		ANTILOCK BRAKE			
FD31-43-780C	1				-5410
A (FD31-43-780D)					
FD31-43-780D	1				5410-
43-868		INSULATOR			
FD31-43-867A	1				
43-900A		VALVE, P. B.			
F123-43-900	1				
5410 FD333 -400028					

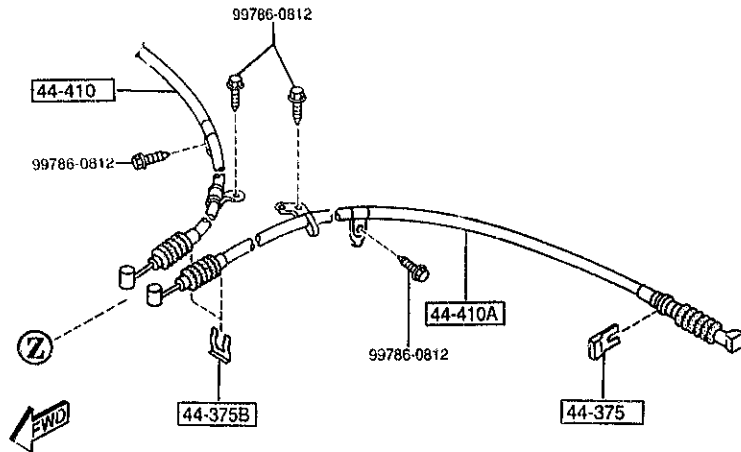
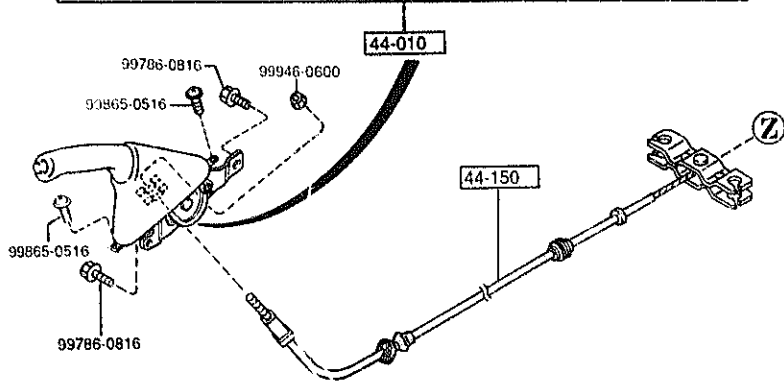
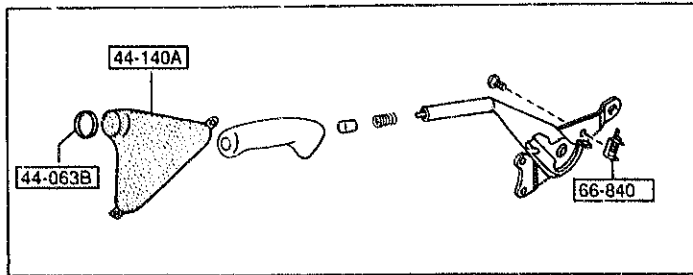
AUFA06

CAT. AUFA06-04

1997-01

4400 PARKING BRAKE SYSTEM

4400 -1 * PARKING BRAKE SYSTEM



PART NO.	QTY	MODEL/RESTRICTION	MODEL/RESTRICTION	MODEL/RESTRICTION	FROM-TO
44-010		LEVER,PARKING BRAKE			
FD01-44-010G AN(FD01-44-010H)	1				-4801
FD01-44-010H	1				4801-
44-063B		RING,PARK BRAKE LVR			
FD01-44-036	1				
44-140A		BOOT			
FD01-44-035	1				
44-150		CABLE,PARKING-FRT			
FD01-44-150	1				
44-375		CLIP,PARKING CABLE CHUOUHATSUJO			
GA2B-44-375A	2				
44-375B		CLIP			
011B-44-375	2				
44-410		CABLE(R),R.-PARK.			
FD01-44-410A	1				
44-410A		CABLE(L),R.-PARK.			
FD01-44-420B	1				
66-840		SWITCH,PARKING LAMP			
FD01-66-450	1				

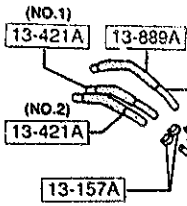
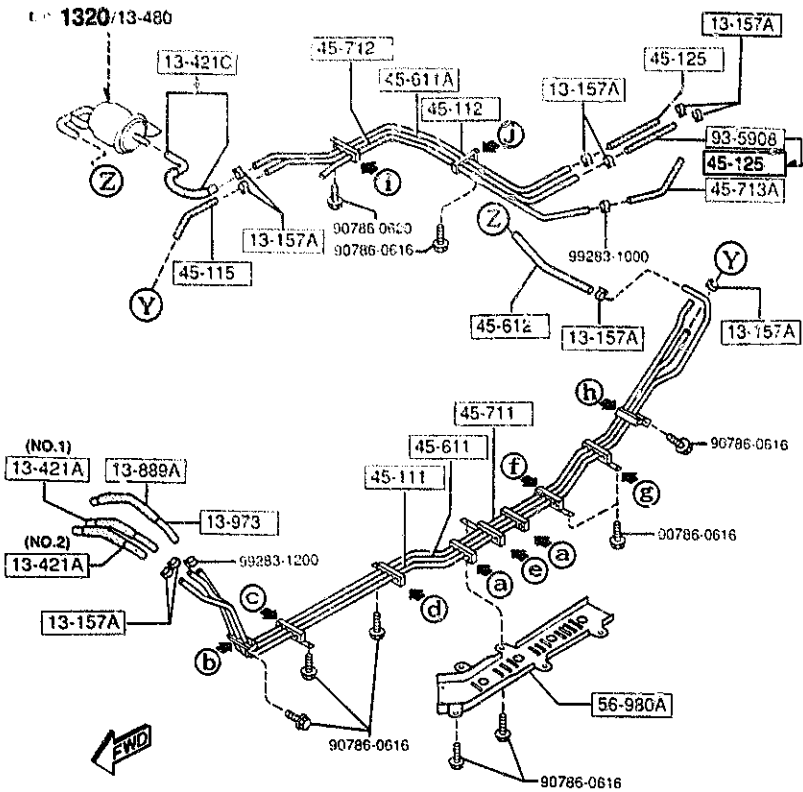
4801 FD333 -400022

AUFA06

CAT. AUFA06-04

1997-01

4500 FUEL PIPINGS

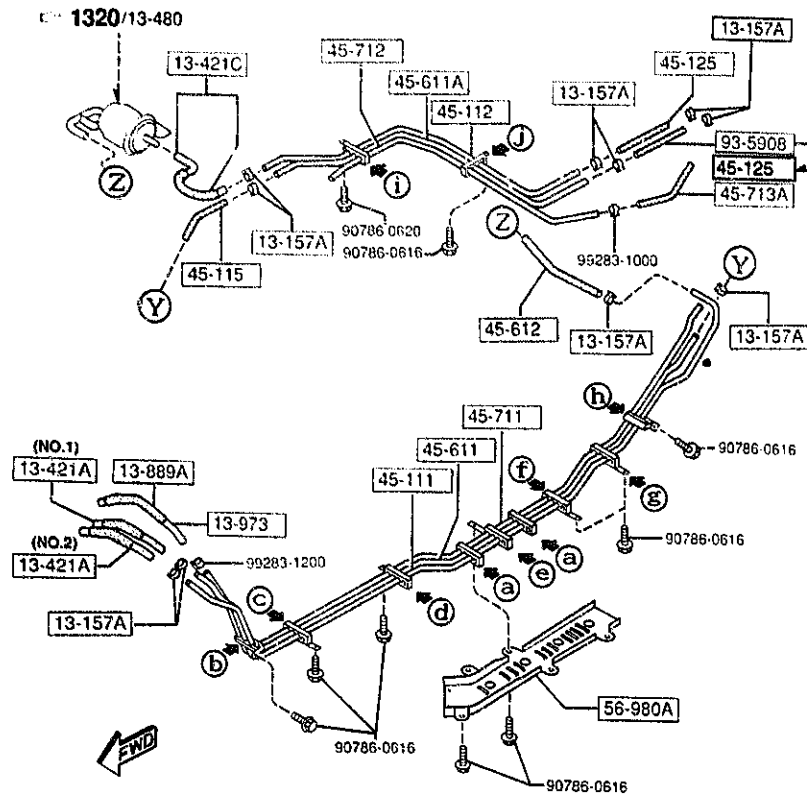


(a)	(b)	(c)	(d)	(e)	(f)
45-911C	45-910E	45-920A	45-930	45-940	45-91X
(g)	(h)	(i)	(j)		
45-960A	45-990	45-970	45-963		

PART NO.	QTY	MODEL/RESTRICTION	MODEL/RESTRICTION	MODEL/RESTRICTION	FROM-TO
13-157A		CLIP			
8574-13-157	10				
13-421A		HOSE, FUEL MAIN			
NSA2-13-421	1	(ILLUST. NO.2)			-541b
NSA1-13-421	1	(ILLUST. NO.1)			541b-
NSD8-13-421	1	(ILLUST. NO.1)			
13-421C		HOSE, FUEL			
NSA1-13-410	1				
13-889A		PROTECTOR			
NSA2-13-889A	1				
13-973		HOSE, DRAIN			
NSA2-13-971A	1				
45-111		PIPE, FUEL-MAIN			
FD01-45-111	1				
45-112		PIPE, FUEL-MAIN			
FD01-45-112	1				
45-115		HOSE, FUEL-MAIN PIPE			
FD01-45-115B	1				
45-125		HOSE, FUEL			
99359-0815	1				-5701
99359-0815	2				5701-
45-611		PIPE, FUEL-RETURN			
FD01-45-611A	1				
45-611A		PIPE, FUEL-RETURN			
FD01-45-612	1				
45-612		HOSE, FUEL			
99359-0819	1				
45-711		PIPE, EVAPORATION			
5418 FD333 -400030					
5701 FD333 -400230					

4500 FUEL PIPINGS

4500 -2 FUEL PIPINGS

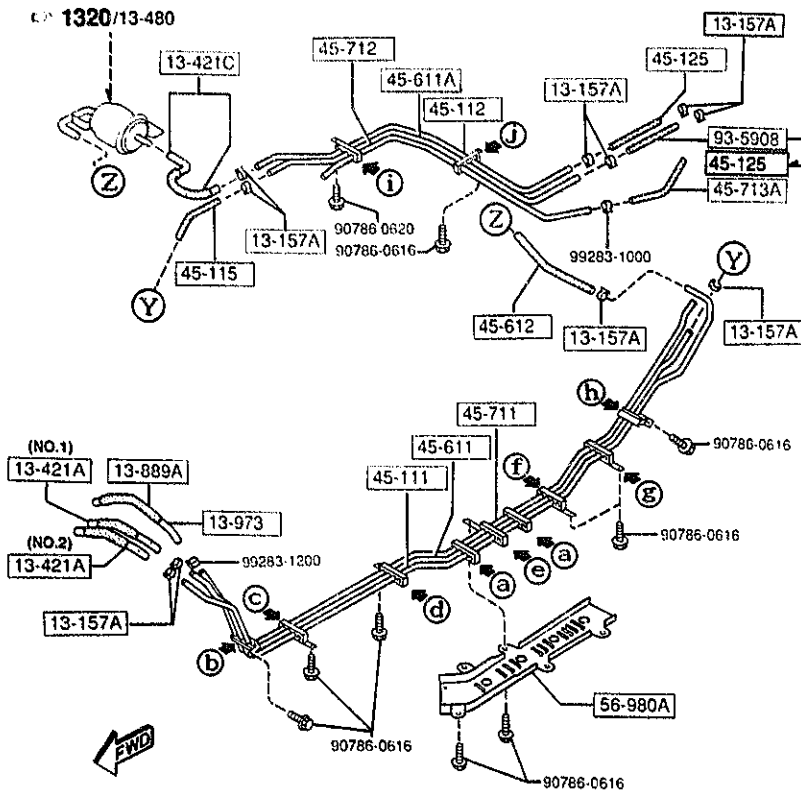


a	b	c	d	e	f
45-911C	45-910E	45-920A	45-930	45-940	45-91X
g	h	i	j		
45-960A	45-990	45-970	45-963		

PART NO.	QTY	MODEL/RESTRICTION	MODEL/RESTRICTION	MODEL/RESTRICTION	FROM-TO
CONT'D					
FD01-45-711	1				
45-712		PIPE, EVAPORATOR			
FD01-45-712A	1				
45-713A		HOSE, FUEL			
FD01-45-713	1				
45-91X		HOLDER 'E', PIPE-FUEL			
FD01-45-95X	1				
45-910E		HOLDER, PIPE			
FD01-45-910A	1				
45-911C		CLIP, PIPE			
FD01-45-911	9				
45-920A		HOLDER 'B', PIPE			
FD01-45-920	1				
45-930		HOLDER 'C', PIPE			
FD01-45-930	1				
45-940		HOLDER, PIPE			
FD01-45-940A	1				
45-960A		HOLDER 'F', PIPE			
FD01-45-960	1				
45-963		HOLDER 'J', PIPE			
FD01-45-980	1				
45-970		HOLDER 'G', PIPE			
FD01-45-970	1				
45-990		HOLDER 'K', PIPE-FUEL			
FD01-45-990	1				
56-980A		PROTECTOR, PIPE			
FD01-56-191A	1				

4500 FUEL PIPINGS

4500 -3 * FUEL PIPINGS

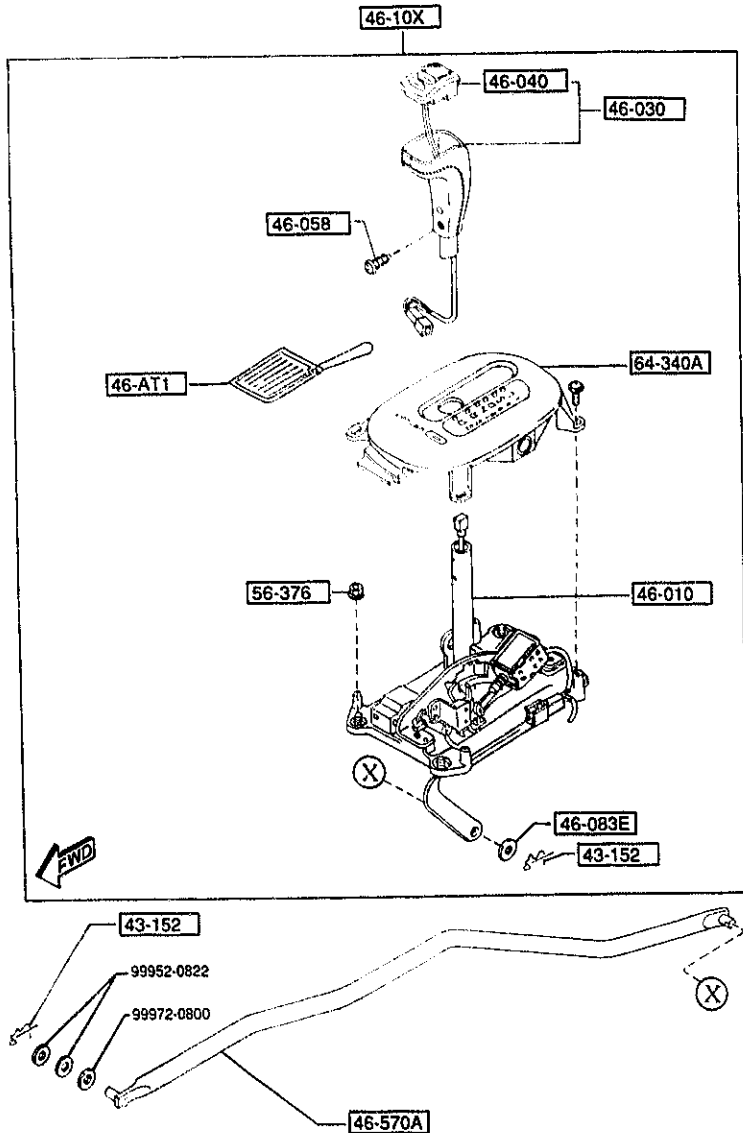


(a)	(b)	(c)	(d)	(e)	(f)
45-911C	45-910E	45-920A	45-930	45-940	45-91X
(g)	(h)	(i)	(j)		
45-960A	45-990	45-970	45-963		

PART NO.	QTY	MODEL/RESTRICTION	MODEL/RESTRICTION	MODEL/RESTRICTION	FROM-TO
93-5908 99359-0815M	1	HOSE			-5701
5701 FD333 -400230					

4600 CHANGE CONTROL SYSTEM
(AT)

4600 -1 * CHANGE CONTROL SYSTEM
(AT)



PART NO.	QTY	MODEL/RESTRICTION	MODEL/RESTRICTION	MODEL/RESTRICTION	FROM TO
43-152		PIN,SNAP			
FB02-43-152A	2				
46-AT1		TAG,CAUTION-CHANGE			
FD02-46-AT1	1				-4A01
46-010		LEVER,SELECT			
FD02-46-100C	1				
46-030		KNOB,CHANGE LEVER			
FD02-46-030	1				
46-040		SWITCH,OVER DRIVE CO NTROL			
FC07-46-040A	1				-5901
*FD02-46-040	1				5901-
46-058		SCREW,CHANGE LEVER K NOB			
FD02-46-058	2				
46-083E		WASHER			
J001-46-051	1				
46-10X		CHANGE COMPLETE			
FD02-46-10XE	1				
46-570A		ROD,SELECTOR-REAR			
FD02-46-570A	1				
56-376		NUT,SELF LOCK			
B001-56-376	4				
64-340A		INDICATOR			
FD02-64-350D	1				
4A01 FD333 -400014					
5901 FD333 -400232					

AUFA06

CAT. AUFA06-04

1997-01