

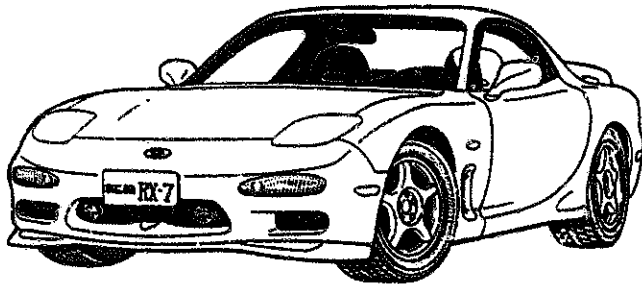
This file is available for free download at <http://www.iluvmyrx7.com>



www.iluvmyrx7.com

Parts Catalog

Mazda RX-7
U.S.A.
'94



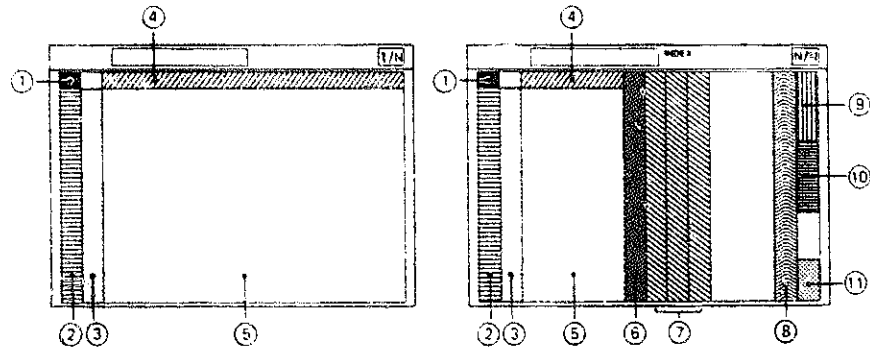
FD333 • 30001-31000

Apr. '95 (FINAL)
Catalog No. AU-FA05-03

MAZDA
© 1995 Mazda Motor Corporation

LAYOUT OF CONTENTS / DISPOSITION TYPOGRAPHIQUE DE CONTENU / DISPOSICION DEL CONTENIDO / ANORDNUNG DES INHALTS


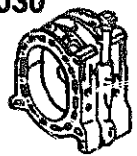

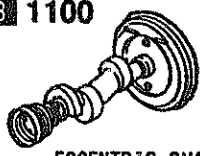

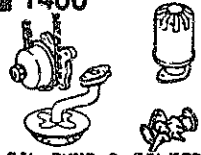
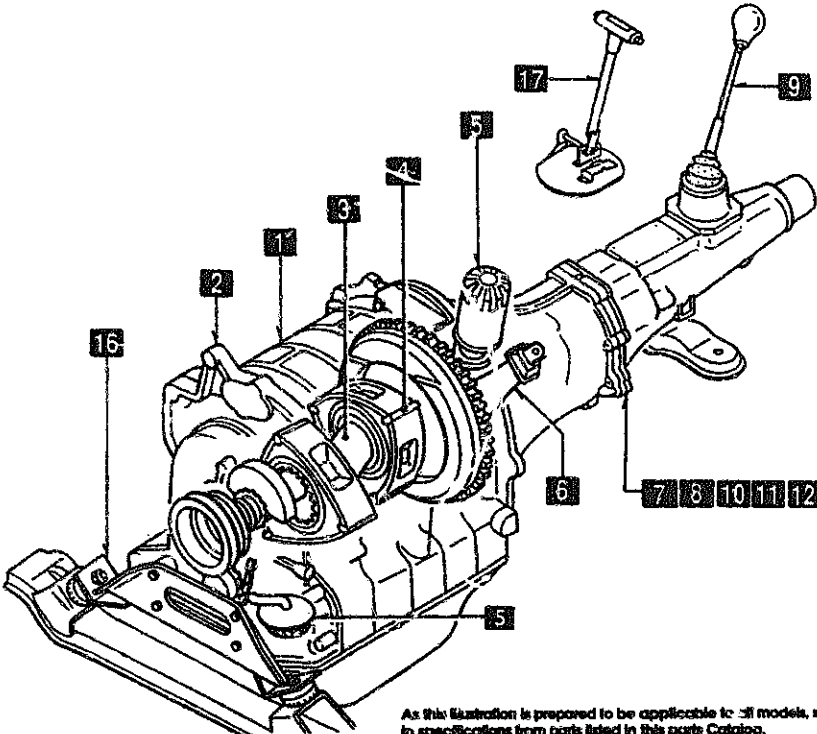

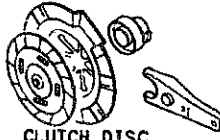
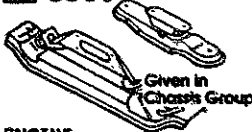
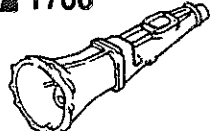
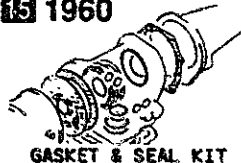
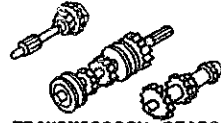

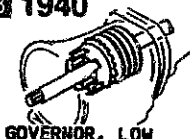
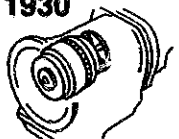

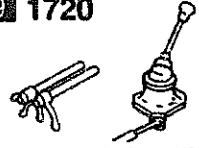

- The following is a typical example of the layout of contents on Mazda microfiche parts catalog
- Voici un exemple typique de la disposition typographique de contenu dans les microfiches de catalogue des pièces de Mazda.
- El siguiente es un ejemplo típico de la disposición del contenido en una microficha del catálogo de repuestos de Mazda.
- Folgendes ist ein typisches Beispiel der Inhaltsanordnung des Mazda-Mikrofiche Teilkatalogs.








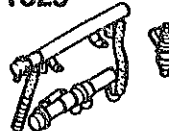
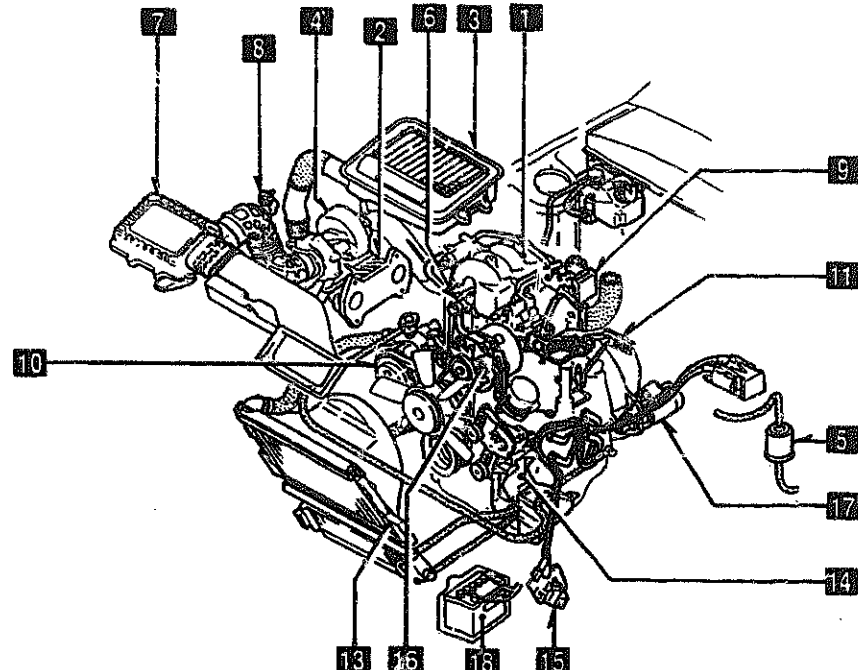
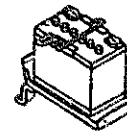
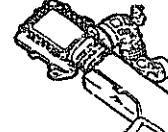


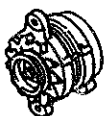

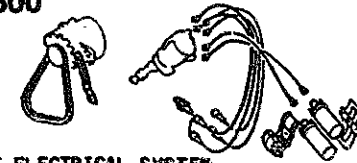



Remark : The items listed under ④ have been deleted from each fiche since Dec. '93

- | | | |
|--|---|---|
| ① • Layout of contents
• Disposition Typographique de Contenu
• Disposición del contenido
• Anordnung des Inhalts | ② • Pictorial Index
• Index par Schémas
• Índice Gráfico
• Illustrierter Index | ③ • Master Section No. Index
• Index des Numéros des Sections Totale
• Índice del Número de la Sección Maestra
• Hauptabschnittsnummer-Index |
| ④ • Section No. Index for the Column
• Index des Numéros des Sections pour les Colonnes
• N° de la Sección para el Índice
• Abschnittsnummer-Index für die Spalte | ⑤ • Illustration & Text
• Illustrations et Textes
• Ilustración y Texto
• Abbildung und Text | ⑥ • Part No. Index
• Index des Numéros des Pièces
• Índice del N° de Pieza
• Teile-Nr.-Index |
| ⑦ • Alphabetical Index
• Index Alphabétique
• Índice Alfabético
• Alphabetischer Index | ⑧ • Model Identification
• Identification des Modèles
• Identificación del Modelo
• Modell-Kennzeichnung | ⑨ • Vehicle Identification System
• Système d'identification de Véhicule
• Sistema de Identificación de Vehículo
• Fahrzeug-Identifikations-system |

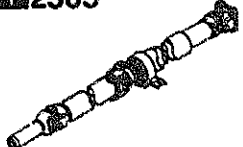
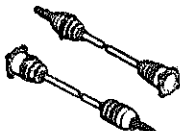


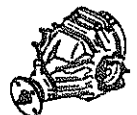



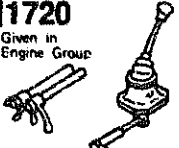
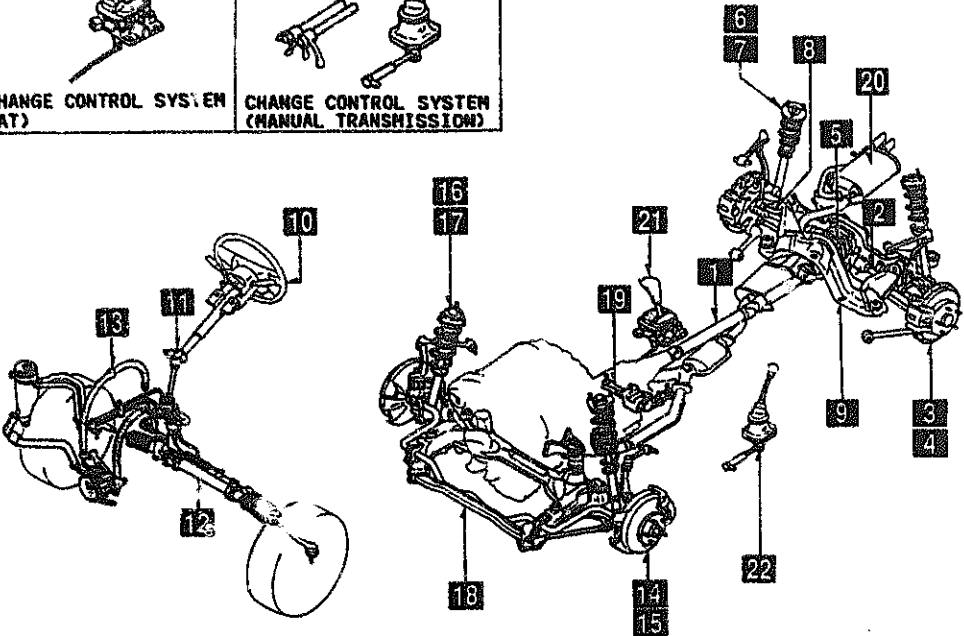

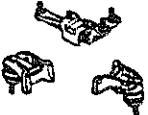

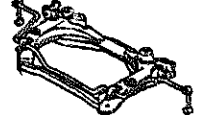

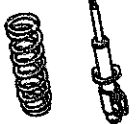




PICTORIAL INDEX

<p>1000</p>  <p style="text-align: center;">ROTOR HOUSINGS</p>	<p>1 1030</p>  <p style="text-align: center;">ROTOR HOUSINGS</p>	<p>2 1040</p>  <p style="text-align: center;">OIL PAN, FRONT & REAR HOUSING</p>	<p>3 1100</p>  <p style="text-align: center;">ECCENTRIC SHAFT & FLYWHEEL</p>	<p>4 1110</p>  <p style="text-align: center;">ROTORS & RELATED PARTS</p>	<p>5 1400</p>  <p style="text-align: center;">OIL PUMP & FILTER</p>
<p>ENGINE (1/2)</p> 					
<p>17 4600</p> <p style="font-size: small;">Given in Chassis Group</p>  <p style="text-align: center;">CHANGE CONTROL SYSTEM (AT)</p>	<p style="font-size: x-small;">As this illustration is prepared to be applicable to all models, some parts are different in specifications from parts listed in this parts Catalog.</p>				<p>6 1600</p>  <p style="text-align: center;">CLUTCH DISC & COVER (MANUAL)</p>
<p>16 3900</p> <p style="font-size: small;">Given in Chassis Group</p>  <p style="text-align: center;">ENGINE & TRANSMISSION MOUNTINGS</p>					<p>7 1700</p>  <p style="text-align: center;">TRANSMISSION CASE (MANUAL)</p>
<p>15 1960</p>  <p style="text-align: center;">GASKET & SEAL KIT (AUTOMATIC)</p>					<p>8 1710</p>  <p style="text-align: center;">TRANSMISSION GEARS (MANUAL)</p>
<p>14 1950</p>  <p style="text-align: center;">MANUAL LINKAGE SYSTEM (AUTOMATIC)</p>	<p>13 1940</p>  <p style="text-align: center;">GOVERNOR, LOW & REVERSE PISTON (AUTOMATIC)</p>	<p>12 1930</p>  <p style="text-align: center;">CLUTCHES & PLANETARY GEARS (AUTOMATIC)</p>	<p>11 1920 & 1925</p>  <p style="text-align: center;">TRANSMISSION CASE & MAIN CONTROL SYSTEM (AUTOMATIC)</p>	<p>9 1720</p>  <p style="text-align: center;">CHANGE CONTROL SYSTEM (MANUAL)</p>	
<p>10 1910</p>  <p style="text-align: center;">TORQUE CONVERTER, OIL PUMP & PIPINGS (AUTOMATIC)</p>					

PICTORIAL INDEX

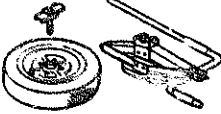



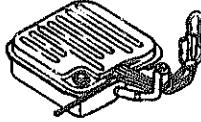
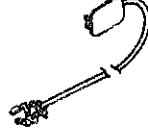
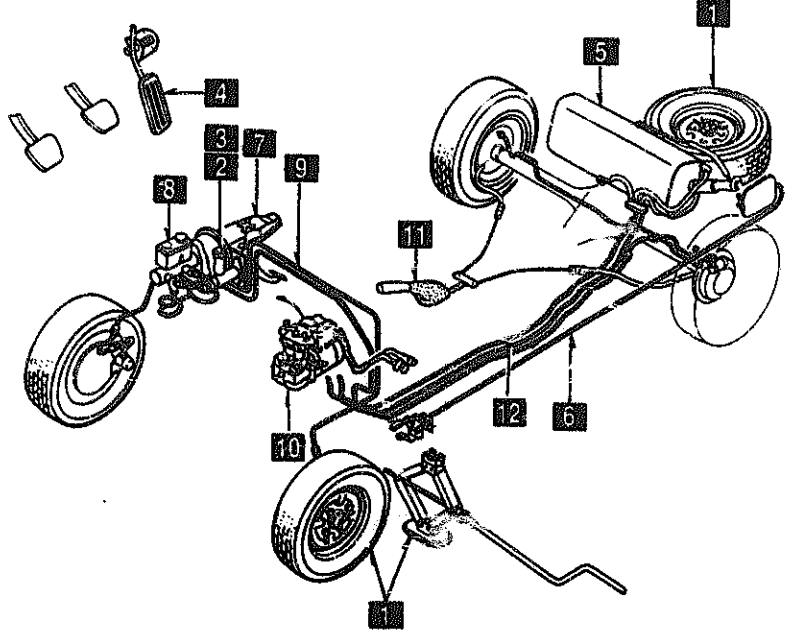
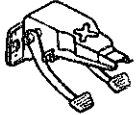
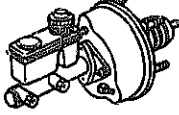

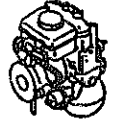
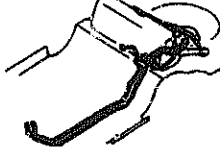

1 1300  INLET MANIFOLD	2 1310  EXHAUST MANIFOLD	3 1311  INTER COOLER	4 1312  TURBO CHARGER	5 1320  FUEL SYSTEM	6 1325  FUEL DISTRIBUTOR
<h3 style="margin: 0;">ENGINE (2/2)</h3> 					
18 1850  BATTERY					7 1330  AIR CLEANER
17 1840  STARTER					8 1313  TWIN TURBO AIR INTAKE SYSTEM
16 1330  ALTERNATOR					9 1364  THROTTLE BODY
As this illustration is prepared to be applicable to all models, some parts are different in specifications from parts listed in this parts Catalog.					
15 1800  ENGINE ELECTRICAL SYSTEM	12 1580  BRACKET, PULLEY & BELT	13 1500  COOLING SYSTEM			11 1380  EMISSION CONTROL SYSTEM

PICTORIAL INDEX

1 2505  REAR PROPELLER SHAFT	2 2550  REAR DRIVE SHAFT	3 2600  REAR AXLE	4 2610  REAR BRAKE MECHANISMS	5 2710  REAR DIFFERENTIALS	6 2800  REAR SUSPENSION MECHANISMS
20 4000  EXHAUST SYSTEM	21 4600  CHANGE CONTROL SYS'EN (AT)	22 1720 Given in Engine Group  CHANGE CONTROL SYSTEM (MANUAL TRANSMISSION)	<h2 style="margin: 0;">CHASSIS (1/2)</h2> 		7 2801  REAR SPRING & DAMPER
19 3900  ENGINE & T/MISSION MOUNTINGS				8 2810  REAR STABILIZER	
13 3410  CROSSMEMBER & STABILIZER				9 2830  REAR LOWER ARMS & SUB FRAME	
17 3401  FRONT SPRING & DAMPER				10 3200  STEERING WHEEL	
16 3400  FRONT SUSPENSION MECHANISMS				15 3310  FRONT BRAKE MECHANISMS	14 3300  FRONT AXLE


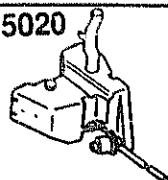

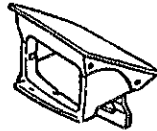
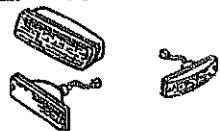
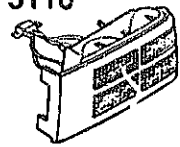

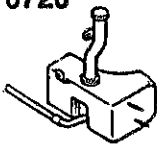
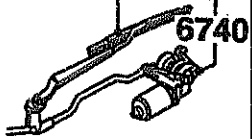
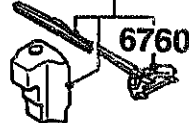
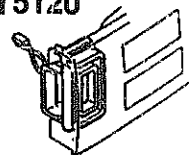

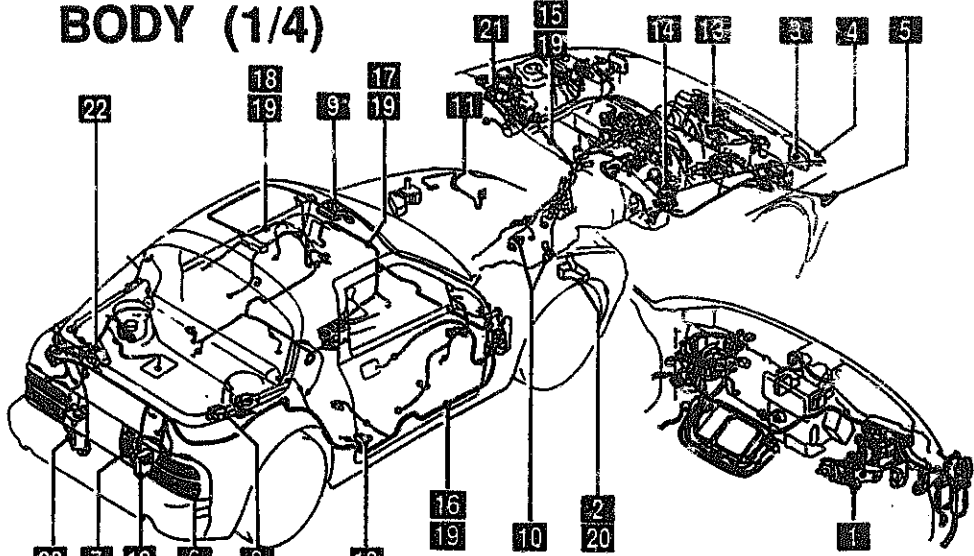
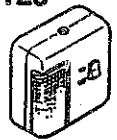





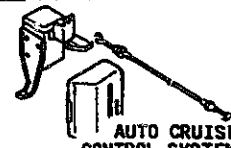
As this illustration is prepared to be applicable to all models, some parts are different in specifications from parts listed in this parts catalog.

PICTORIAL INDEX











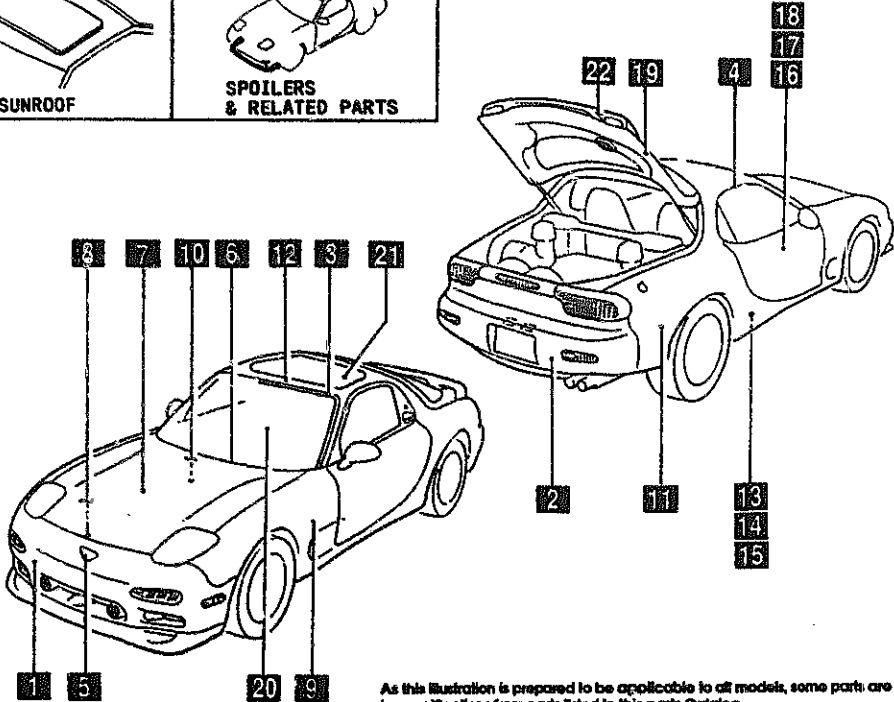
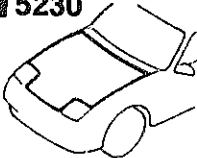

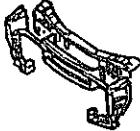

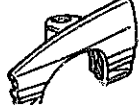



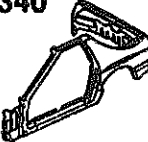




1 3700  TIRES & JACK	2 4140  CLUTCH RELEASE & MASTER CYLINDERS	3 4145  CLUTCH PIPINGS	4 4160  ACCELERATOR CONTROL SYSTEM	5 4200  FUEL TANK	6 4210  FUEL LID OPENER
<h3 style="margin: 0;">CHASSIS (2/2)</h3> 					
					7 4300  CLUTCH & BRAKE PEDALS
					8 4340  BRAKE MASTER CYLINDER & POWER BRAKE
					9 4360  BRAKE PIPINGS
					10 4370  ANTILOCK BRAKE SYSTEM
				12 4500  FUEL PIPINGS	11 4400  PARKING BRAKE SYSTEM

As this illustration is prepared to be applicable to all models, some parts are different in specifications from parts listed in this parts Catalog.

PICTORIAL INDEX

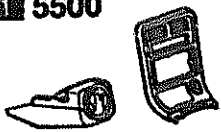

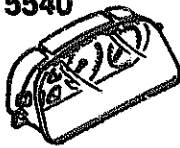
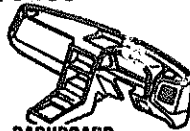
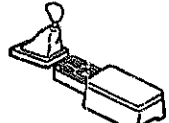




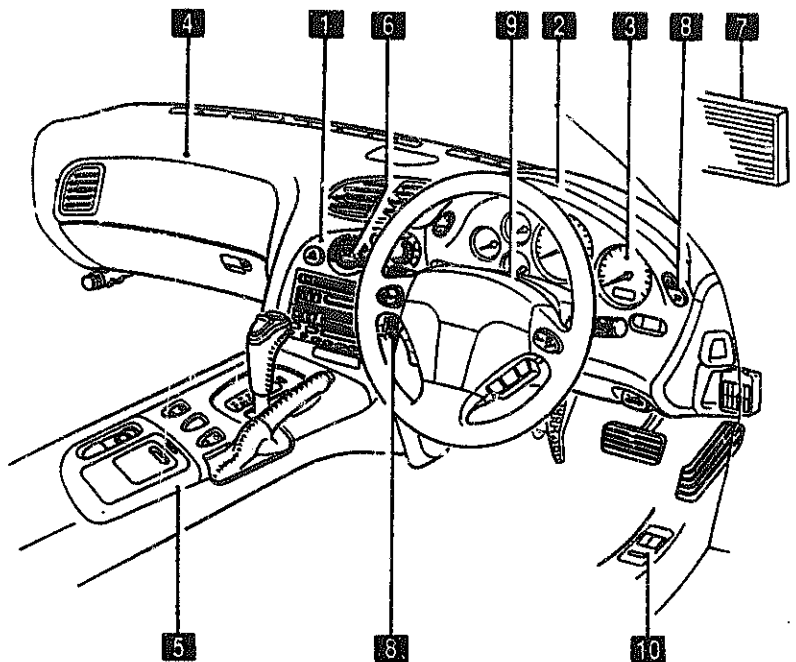





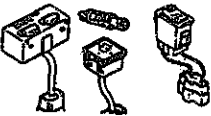
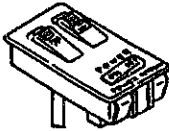
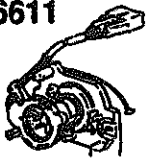
<p>1 0900</p>  <p>KEY SETS</p>	<p>2 5020</p>  <p>HEAD LAMP CLEANER</p>	<p>3 5100</p>  <p>HEAD LAMPS</p>	<p>4 5103</p>  <p>HEAD LAMP RETRACTORS</p>	<p>5 5105</p>  <p>FRONT COMBINATION LAMPS</p>	<p>6 5110</p>  <p>REAR COMBINATION LAMPS</p>
<p>19 6704</p>  <p>WIRING HARNESS CLAMPS</p>	<p>20 6720</p>  <p>WINDSHIELD WASHER</p>	<p>21 6730</p>  <p>WINDSHIELD WIPERS</p>	<p>22 6750</p>  <p>WINDOW WIPER & WASHER (REAR)</p>	<p>7 5120</p>  <p>LICENSE LAMPS</p>	
<p>18 6703</p>  <p>WIRING HARNESSSES (DOOR, FLOOR/CEILING)</p>	<p>BODY (1/4)</p>  <p style="font-size: small; text-align: center;">As this illustration is prepared to be applicable to all models, some parts are different in specifications from parts listed in this parts Catalog.</p>				<p>8 5125</p>  <p>INTERIOR LAMPS</p>
<p>17 6702</p>  <p>WIRING HARNESSSES (DASHBOARD)</p>					<p>9 5130</p>  <p>OVERHEAD CONSOLE</p>
<p>16 6700</p>  <p>WIRING HARNESSSES (FRONT & REAR)</p>					<p>10 6600</p>  <p>SWITCHES & RELAYS (ENGINE)</p>
<p>15 6701</p>  <p>WIRING HARNESSSES (ENGINE & T/MISSION)</p>					<p>14 6640</p>  <p>AUTO CRUISE CONTROL SYSTEM</p>

PICTORIAL INDEX

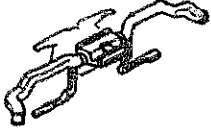



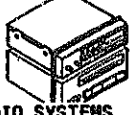
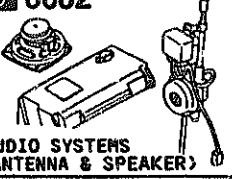
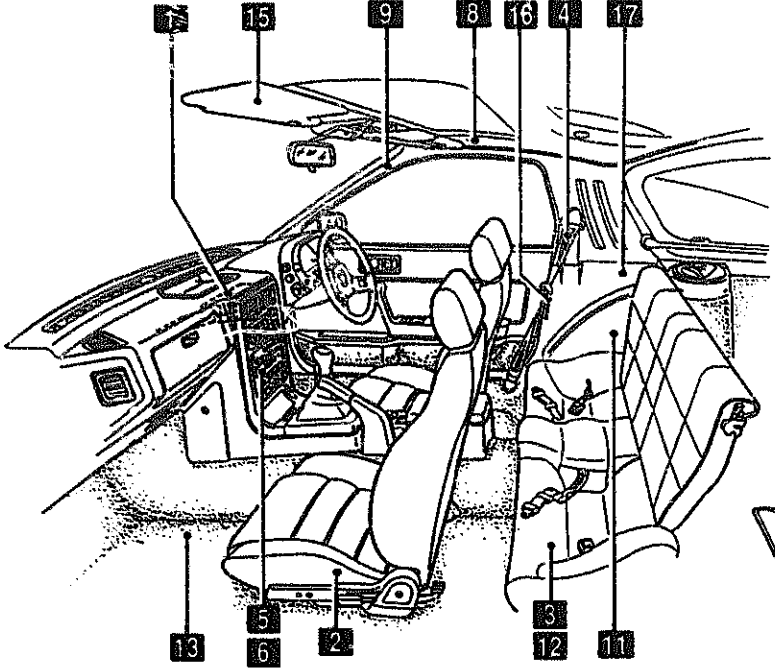
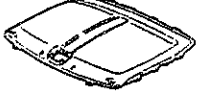
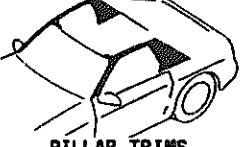
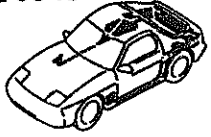

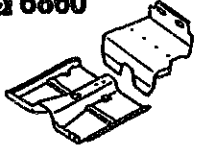
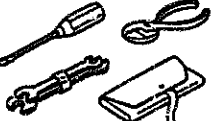



1 5000  FRONT BUMPER	2 5010  REAR BUMPER	3 5030  WINDOW MOULDINGS	4 5040  BODY MOULDINGS	5 5170   ORNAMENTS	6 5180  COWL & EXTRACTOR GRILLES
20 6300  WINDOW GLASSES	21 6330  SUNROOF	22 7800  SPOILERS & RELATED PARTS	<h3 style="margin: 0;">BODY (2/4)</h3> 		7 5230  BONNET
19 6230  LIFT GATE MECHANISMS				8 5310  FRONT PANELS	
13 5840  FRONT DOOR TRIMS & RELATED PARTS				9 5320  FENDER & WHEEL APRON PANELS	
17 5830  FRONT DOOR MECHANISMS				10 5330  DASH & COWL PANELS	
16 5800  FRONT DOORS				11 5340  SIDE PANELS	
15 5390  FLOOR ATTACHMENTS	14 5380  FLOOR ATTACHMENTS (HOLE COVERS)	18 5370  FLOOR PANELS	12 5360  ROOF PANELS		

As this illustration is prepared to be applicable to all models, some parts are different in specifications from parts listed in this parts Catalog.

PICTORIAL INDEX

1 5500  DASHBOARD EQUIPMENTS	2 5520  METER HOOD	3 5540  METER COMPONENTS	4 5560  DASHBOARD & RELATED PARTS	5 5570  CONSOLE	6  6120  6100  6110  6115 HEATER
<h3 style="margin: 0;">BODY (3/4)</h3> 					
<small>As this illustration is prepared to be applicable to all models, some parts are different in specifications from parts listed in this parts Catalog.</small>					
7  6135  6130  6130  6140  6150 AIR CONDITIONER					
8 6610  DASHBOARD SWITCHES					
10 6615  POWER WINDOW SWITCHES					
9 6611  COMBINATION SWITCH					

PICTORIAL INDEX

1 5580  VENTILATOR	2 5700  FRONT SEATS	3 5750  REAR SEATS	4 5790  SEAT BELTS	5 6680  AUDIO SYSTEMS (RADIO & TAPE DECK)	6 6682  AUDIO SYSTEMS (ANTENNA & SPEAKER)
<h3 style="margin: 0;">BODY (4/4)</h3>  <p style="font-size: small; text-align: center;">As this illustration is prepared to be applicable to all models, some parts are different in specifications from parts listed in this parts Catalog.</p>					
7					
8 6800  CEILING TRIMS					
9 6820  PILLAR TRIMS					
10					
11 6840  TRIMS & SCUFF PLATES					
12 6845  STORAGE BOX					
13 6860  FLOOR MATS & PADS					
14 6870  SERVICE TOOLS					
15 6900  VISORS, ASSIST HANDLES & MIRRORS					
16 6930  CAUTION PLATES & LABELS					
17 7250  QUARTER WINDOW & TRIMS					

SECTION NAME INDEX (ENGINE)

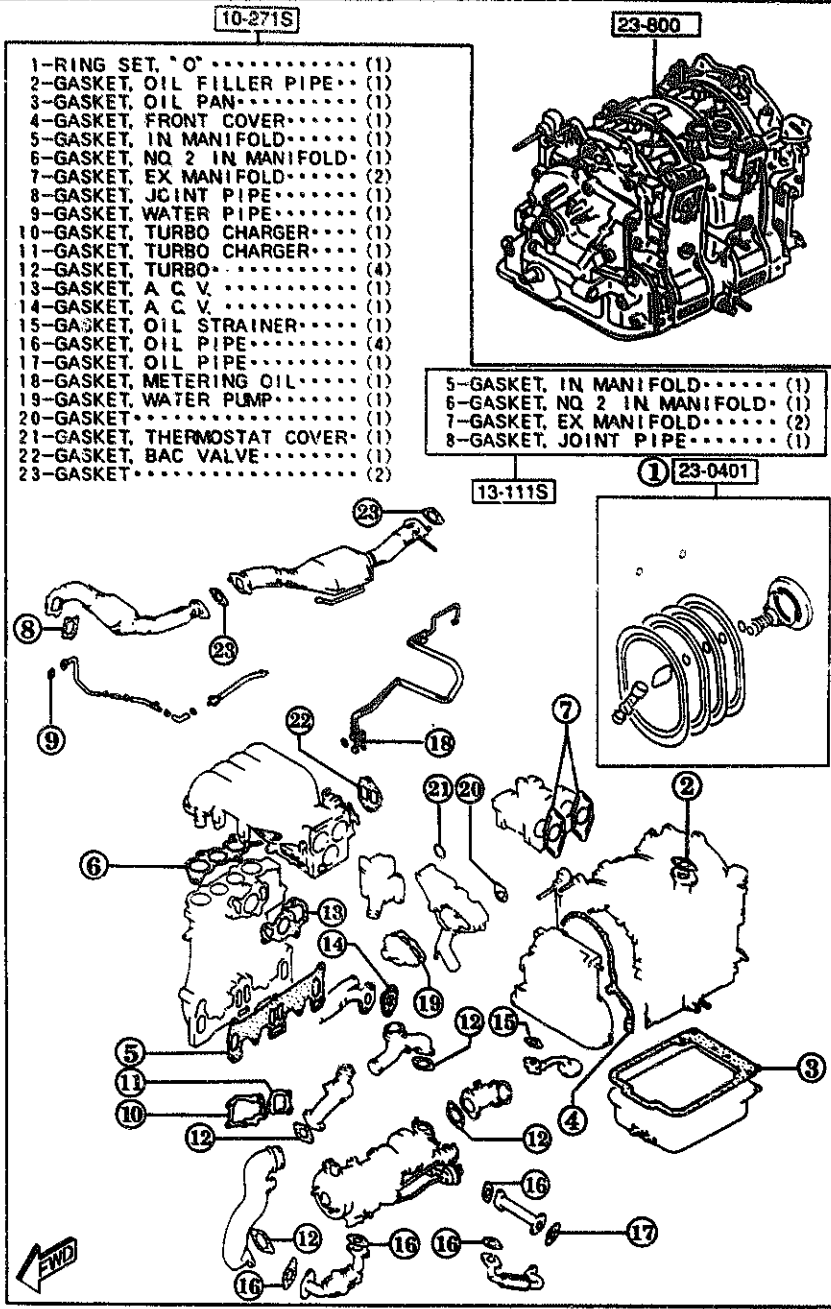
LD.NO	SEC.NO	SECTION NAME	LD.NO	SEC.NO	SECTION NAME	LD.NO	SEC.NO	SECTION NAME
1-C03	1000	ENGINE & GASKET SETS	1-F11	1940	GOVERNOR, LOW & REVERSE PISTON (AUTOMATIC)			
1-D03	1030	ROTOR HOUSINGS	1-H11	1950	MANUAL LINKAGE SYSTEM (AUTOMATIC)			
1-G03	1040	OIL PAN, FRONT & REAR HOUSING	1-J11	1960	GASKET & SEAL KIT (AUTOMATIC)			
1-J03	1100	ECCENTRIC SHAFT & FLYWHEEL						
1-N03	1110	ROTORS & RELATED PARTS						
1-C04	1300	INLET MANIFOLD						
1-D04	1310	EXHAUST MANIFOLD						
1-E04	1311	INTER COOLER						
1-F04	1312	TURBO CHARGER						
1-H04	1313	TWIN TURBO AIR INTAKE SYSTEM						
1-J04	1320	FUEL SYSTEM						
1-K04	1325	FUEL DISTRIBUTOR						
1-N04	1330	AIR CLEANER						
1-C05	1364	THROTTLE BODY						
1-E05	1371	AIR PUMP & AIR CONTROL VALVE						
1-G05	1380	EMISSION CONTROL SYSTEM						
1-C06	1400	OIL PUMP & FILTER						
1-F06	1500	COOLING SYSTEM						
1-N06	1580	BRACKET, PULLEY & BELT						
1-C07	1600	CLUTCH DISC & COVER (MANUAL)						
1-E07	1700	TRANSMISSION CASE (MANUAL)						
1-I07	1710	TRANSMISSION GEARS (MANUAL)						
1-C08	1720	CHANGE CONTROL SYSTEM (MANUAL)						
1-E08	1800	ENGINE ELECTRICAL SYSTEM						
1-H08	1830	ALTERNATOR						
1-J08	1840	STARTER (MT)						
1-L08	1840 A	STARTER (AT)						
1-N08	1850	BATTERY						
1-C09	1910	TORQUE CONVERTER, OIL PUMP & PIPINGS (AUTOMATIC)						
1-H09	1920	TRANSMISSION CASE & MAIN CONTROL SYSTEM (AUTOMATIC)						
1-N09	1925	CONTROL VALVE (AUTOMATIC)						
1-J10	1930	CLUTCHES & PLANETARY GEARS (AUTOMATIC)						

SECTION NAME INDEX (CHASSIS)

LD.NO	SEC.NO	SECTION NAME	LD.NO	SEC.NO	SECTION NAME	LD.NO	SEC.NO	SECTION NAME
2-C03	2505	REAR PROPELLER SHAFT	2-E08	4600	CHANGE CONTROL SYSTEM (AT)			
2-D03	2550	REAR DRIVE SHAFT						
2-E03	2600	REAR AXLE						
2-G03	2610	REAR BRAKE MECHANISMS						
2-J03	2710	REAR DIFFERENTIALS						
2-N03	2800	REAR SUSPENSION MECHANISMS						
2-C04	2801	REAR SPRING & DAMPER						
2-D04	2810	REAR STABILIZER						
2-E04	2830	REAR LOWER ARMS & SUB FRAME						
2-H04	3200	STEERING WHEEL						
2-I04	3210	STEERING COLUMN & SHAFTS						
2-J04	3220	STEERING GEAR						
2-L04	3240	POWER STEERING SYSTEM						
2-M04	3300	FRONT AXLE						
2-N04	3310	FRONT BRAKE MECHANISMS						
2-C05	3400	FRONT SUSPENSION MECHANISMS						
2-E05	3401	FRONT SPRING & DAMPER						
2-F05	3410	CROSSMEMBER & STABILIZER						
2-G05	3700	TIRES & JACK						
2-C06	3900	ENGINE & T/MISSION MOUNTINGS						
2-D06	4000	EXHAUST SYSTEM						
2-G06	4140	CLUTCH RELEASE & MASTER CYLINDERS (MANUAL TRANSMISSION)						
2-I06	4145	CLUTCH PIPINGS (MANUAL TRANSMISSION)						
2-J06	4160	ACCELERATOR CONTROL SYSTEM						
2-K06	4200	FUEL TANK						
2-C07	4210	FUEL LID OPENER						
2-D07	4300	CLUTCH & BRAKE PEDALS (MANUAL TRANSMISSION)						
2-F07	4300A	BRAKE PEDALS (AUTOMATIC TRANSMISSION)						
2-G07	4340	BRAKE MASTER CYLINDER & POWER BRAKE						
2-I07	4360	BRAKE PIPINGS						
2-L07	4370	ANTILOCK BRAKE SYSTEM						
2-N07	4400	PARKING BRAKE SYSTEM						
2-C08	4500	FUEL PIPINGS						

SECTION NAME INDEX (BODY)

LO.NO	SEC.NO	SECTION NAME	LO.NO	SEC.NO	SECTION NAME	LO.NO	SEC.NO	SECTION NAME
2-C10	0900	KEY SETS	3-C03	5795	AIR BAG	3-E08	6702	WIRING HARNESSSES(DASHBOARD)
2-E10	5000	FRONT BUMPER	3-D03	5800	FRONT DOORS	3-G08	6703	WIRING HARNESSSES(DOOR,FLOOR/CEILING)
2-H10	5010	REAR BUMPER	3-G03	5830	FRONT DOOR MECHANISMS	3-H08	6704	WIRING HARNESS CLAMPS
2-J10	5020	HEAD LAMP CLEANER (SUN ROOF)	3-J03	5840	FRONT DOOR TRIMS & RELATED PARTS	3-I08	6720	WINDSHIELD WASHER
2-L10	5030	WINDOW MOULDINGS	3-C04	6100	HEATER	3-K08	6730	WINDSHIELD WIPERS
2-M10	5040	BODY MOULDINGS	3-D04	6110	HEATER UNIT COMPONENTS	3-M08	6740	WIPER MOTOR COMPONENTS(FRONT)
2-N10	5100	HEAD LAMPS	5-E04	6115	HEATER CONTROLS COMPONENTS	3-N08	6750	WINDOW WIPER & WASHER (REAR)
2-D11	5103	HEAD LAMP RETRACTORS	3-F04	6120	HEATER BLOWER COMPONENTS	3-E09	6760	WINDOW WIPER MOTOR COMPONENTS (REAR)
2-F11	5105	FRONT COMBINATION LAMPS	3-G04	6130	AIR CONDITIONER (DENSO MAKE)	3-F09	6800	CEILING TRIMS
2-K11	5110	REAR COMBINATION LAMPS	3-J04	6130A	AIR CONDITIONER (MANA MAKE)	3-G09	6820	PILLAR TRIMS
2-D12	5120	LICENSE LAMPS	3-M04	6135	O RING SET,PIPING	3-H09	6840	TRIMS & SCUFF PLATES
2-E12	5125	INTERIOR LAMPS	3-N04	6140	COMPRESSOR COMPONENTS (AIR CONDITIONER) (DENSO MAKE)	3-L09	6845	STRAGE BOX
2-F12	5130	OVERHEAD CONSOLE	3-D05	6140A	COMPRESSOR COMPONENTS (AIR CONDITIONER) (MANA MAKE)	3-M09	6860	FLOOR MATS & PADS
2-G12	5170	ORNAMENTS	3-F05	6150	COOLING UNIT (AIR CONDITIONER) (DENSO MAKE)	3-D10	6870	SERVICE TOOLS
2-H12	5180	COWL & EXTRACTOR GRILLES	3-G05	6150A	COOLING UNIT (AIR CONDITIONER) (MANA MAKE)	3-E10	6900	VISORS,ASSIST HANDLES & MIRRORS
2-J12	5230	BONNET	3-I05	6230	LIFT GATE MECHANISMS	3-H10	6930	CAUTION PLATES & LABELS
2-L12	5310	FRONT PANELS	3-L05	6300	WINDOW GLASSES	3-J10	7250	QUARTER WINDOW & TRIMS
2-M12	5320	FENDER & WHEEL APRON PANELS	3-M05	6330	SUNROOF	3-L10	7800	SPOILERS & RELATED PARTS
2-D13	5330	DASH & COWL PANELS	3-F06	6600	SWITCHES & RELAYS (ENGINE)			
2-E13	5340	SIDE PANELS	3-J06	6610	DASHBOARD SWITCHES			
2-I13	5360	ROOF PANELS (W/O SUN ROOF)	3-K06	6611	COMBINATION SWITCH			
2-J13	5360 A	ROOF PANELS (SUN ROOF)	3-L06	6615	POWER WINDOW SWITCHES			
2-K13	5370	FLOOR PANELS	3-M06	6630	RELAYS & UNIT (BODY)			
2-M13	5380	FLOOR ATTACHMENTS (HOLE COVERS)	3-C07	6635	DOOR SWITCH & HORNS			
2-C14	5390	FLOOR ATTACHMENTS	3-D07	6640	AUTO CRUISE CONTROL SYSTEM			
2-C15	5500	DASHBOARD EQUIPMENTS	3-E07	6680	AUDIO SYSTEMS (RADIO & TAPE DECK)			
2-D15	5520	METER HOOD	3-G07	6682	AUDIO SYSTEMS (ANTENNA & SPEAKER)			
2-E15	5540	METER COMPONENTS	3-K07	6700	WIRING HARNESSSES(FRONT & REAR)			
2-G15	5560	DASHBOARD & RELATED PARTS	3-C08	6701	WIRING HARNESSSES(ENGINE & TRANSMISSION)			
2-K15	5570	CONSOLE						
2-M15	5580	VENTILATOR						
2-C16	5700	FRONT SEATS						
2-M16	5790	SEAT BELTS						

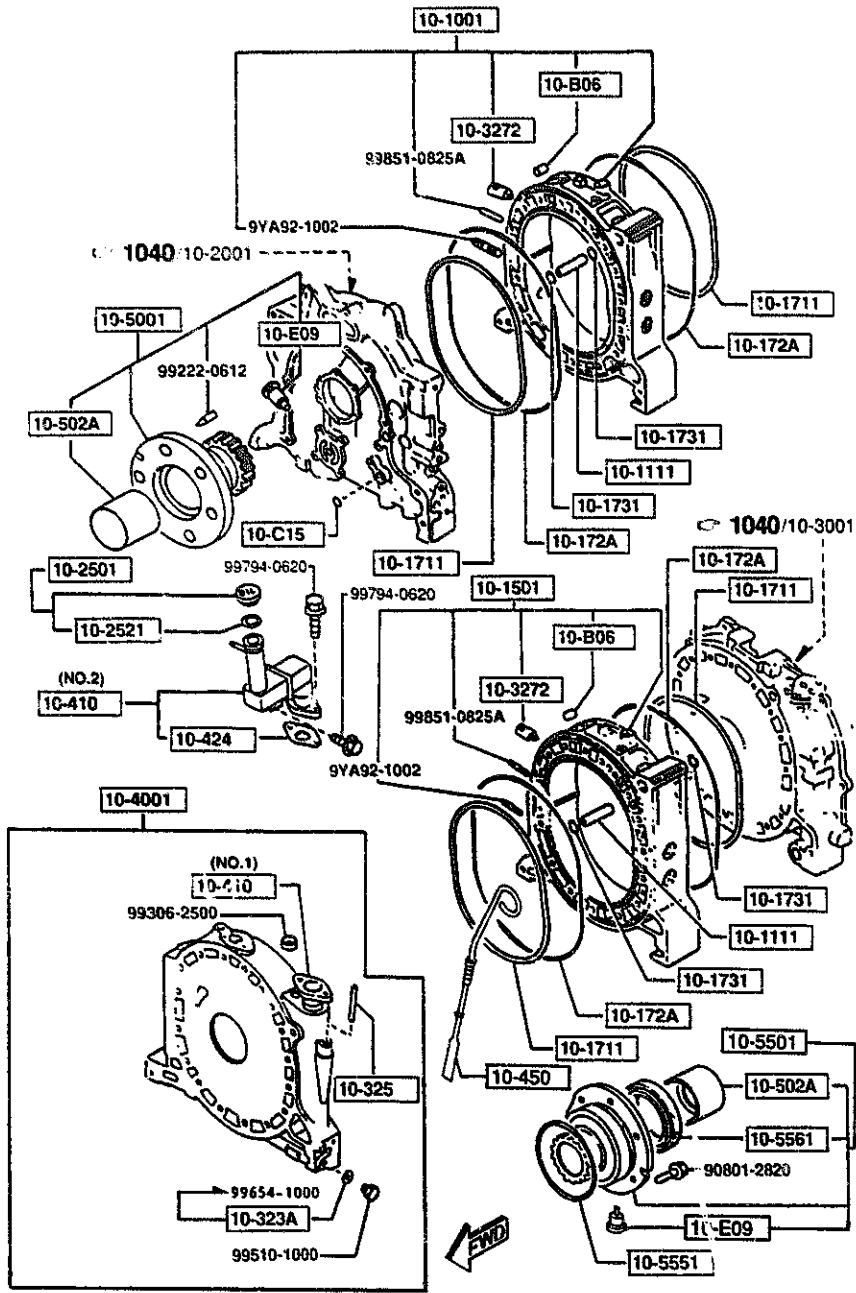


PART NO.	QTY	MODEL /RESTRICTION	MODEL /RESTRICTION	MODEL /RESTRICTION	FROM
10-271S		GASKET SET,ENGINE			
BAFH-10-271	1				
13-111S		GASKET SET,SUB-ENG.			
BAF7-13-111	1				
23-0401		RING SET, 'O'			
N3A1-10-560	1				
23-800		ENGINE,SHORT			
N3A1-02-200	1 (MT)				
N3A2-02-200	1 (AT)				

AUFA05

CAT. AUFA05-03

1995-03



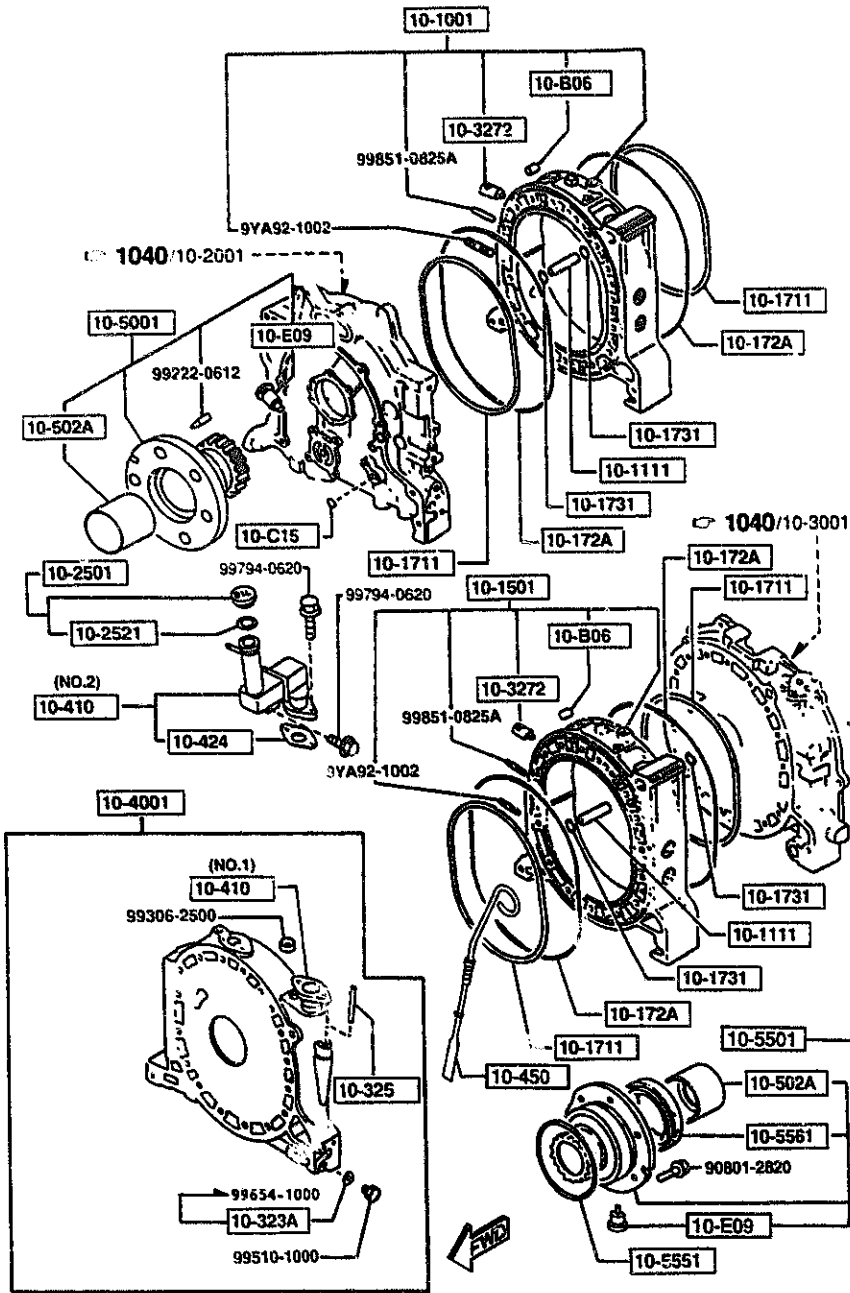
PART NO	QTY	MODEL/RESTRICTION	MODEL/RESTRICTION	MODEL/RESTRICTION	FROM TO
10-B06		PIN, SPRING			
N326-10-B06	4				
10-C15		RING, BACKUP			
N326-10-C15	1				
10-E09		PIN, STOPPER			
NF01-10-E09	2				
10-1001		HOUSING, ROTOR-FRONT			
N3A1-10-B10	1				
10-1111		DOWEL, TUBULAR			
1757-10-111	4				
10-1501		HOUSING, ROTOR-REAR			
N3A1-10-B50	1				
10-1711		RING, SQUARE			
N326-10-B71A	4				
10-172A		RING, SQUARE-OUTER			
N326-10-B72	4				
10-1731		RING, 'O'			
N3A1-10-B73	4				
10-2501		CAP, OIL FILLER			
8871-10-250A	1				
10-2521		GASKET, OIL CAP			
8871-10-252	1				
10-323A		GASKET, WATER DRAIN-INTER.			
N326-10-323	1				
10-325		PIPE, OIL LEVEL GAUGE			
N318-10-441	1				
10-3272		PLUG, JET			
N326-14-633	2				

3A01 FD333*-300888

-3A01

1030 ROTOR HOUSINGS

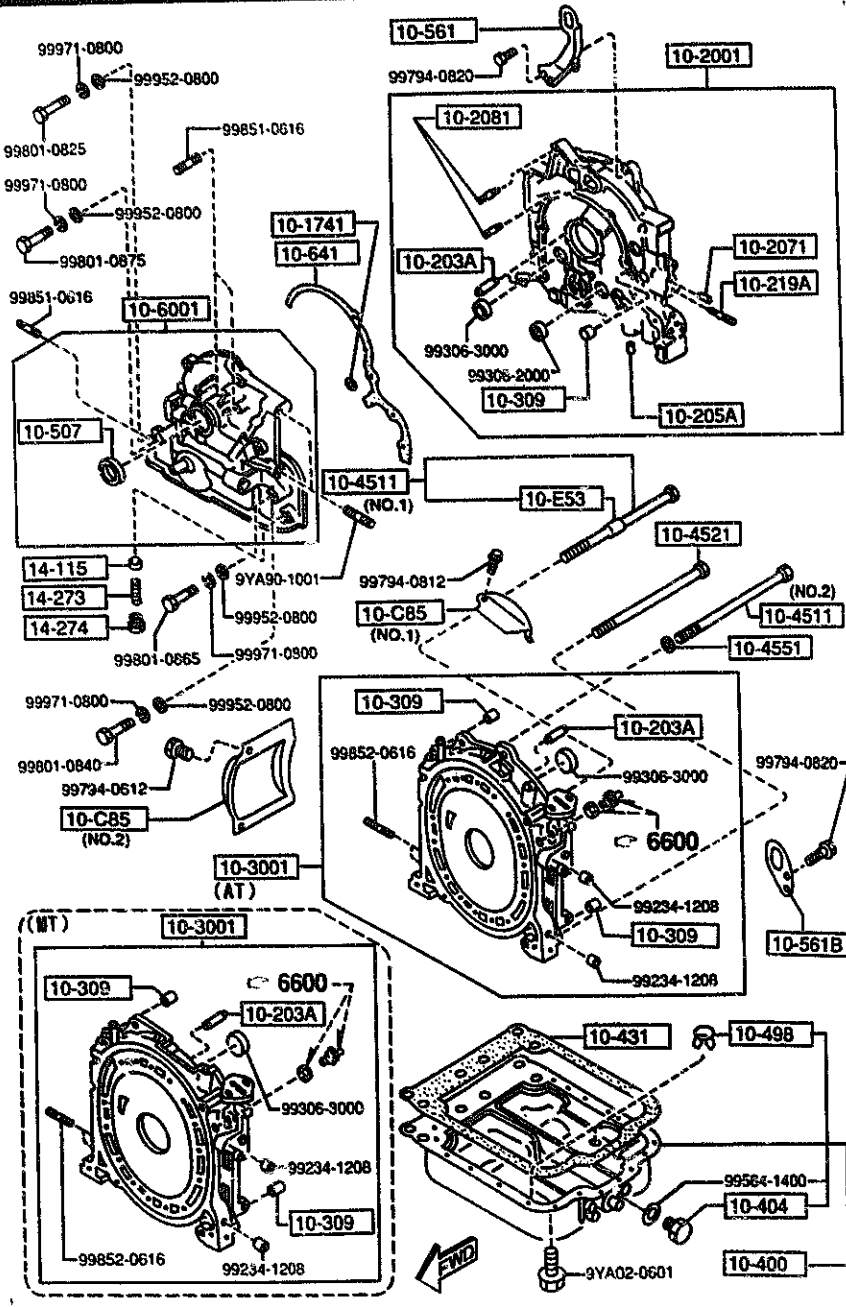
1030 -3 # ROTOR HOUSINGS



PART NO.	QTY	MODEL/RESTRICTION	MODEL/RESTRICTION	MODEL/RESTRICTION	FRGM-TO
CONT'D					
A (NSYA-10-E10B)					
NSYA-10-E10B	1				3A01-3C01
NSA1-10-21YC	1				3C01-
10-5551		RING, 'O'			
OB13-10-555A	1				
10-5561		SEAL, OIL			
1668-10-556A	1				

3A01 FD333*-300888
3C01 FD333*-301464

1040 OIL PAN,FRONT & REAR HOUSING



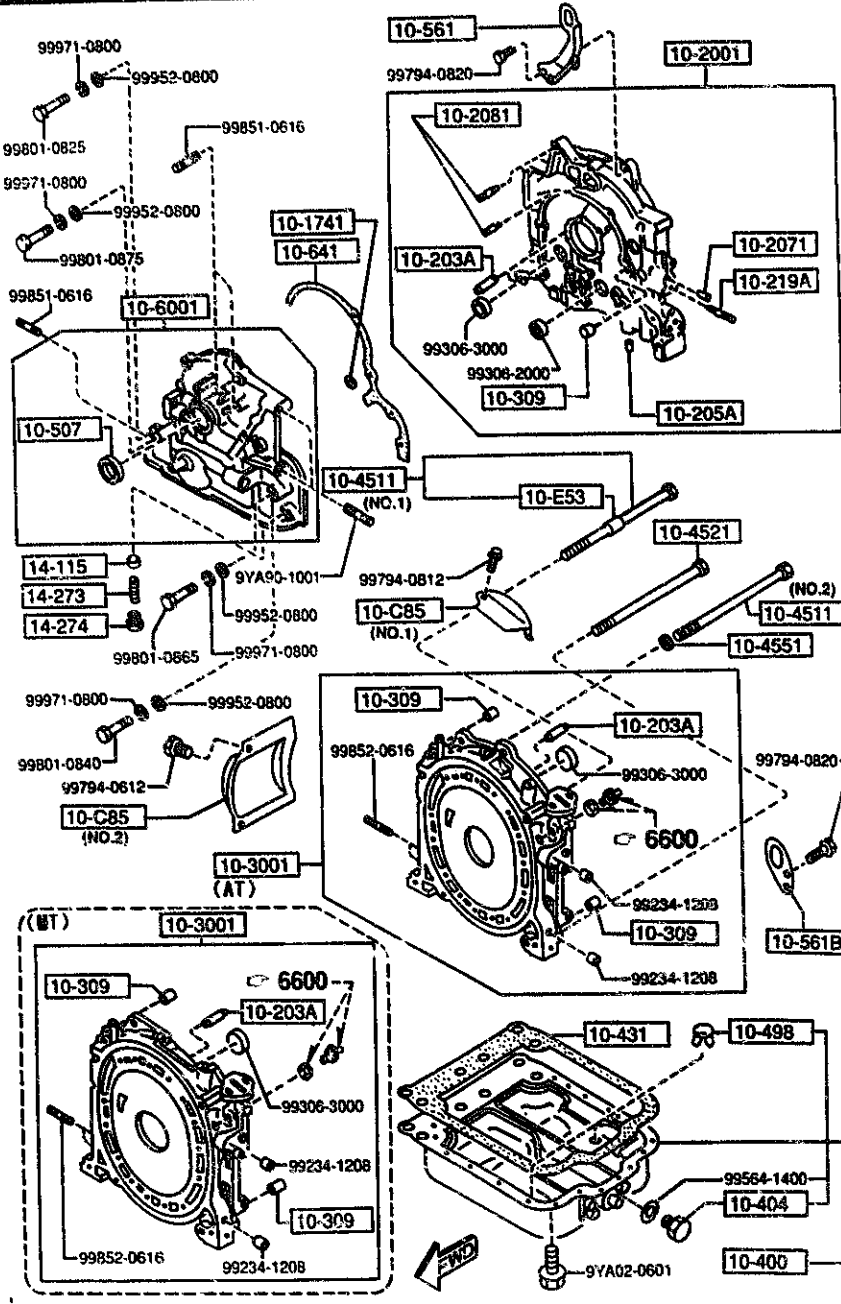
PART NO.	QTY	MODEL/RESTRICTION	MODEL/RESTRICTION	MODEL/RESTRICTION	FROM-TO
10-C85		COVER, DUST			
N350-10-C85	1	(ILLUST. NO.1) (MT)			
NF01-10-C86	1	(ILLUST. NO.2)			
10-E53		RING, 'O'-TENSION BOL			
N350-10-E56	1				
10-1741		RING, 'O'			
N231-10-174	1				
10-2001		HOUSING, FRONT			
N3A1-10-C00C AN(N3A1-10-C00D)	1				-3C01
N3A1-10-C00D	1				3C01-
10-203A		PIN, DOWEL			
0839-10-203	2				
10-205A		PLUG, BLIND			
8562-10-205	3				
10-2071		PLUG, BLIND			
1757-10-207A	1				
10-2081		STUD			
N3A1-10-C08	4				
10-219A		STUD, HOUSING			
N249-10-219	1				
10-3001		HOUSING, REAR			
N3YA-10-C50C AN(N3YA-10-C50D)	1				-3C01
N3YB-10-C50C AN(N3YB-10-C50D)	1				-3C01
N3YA-10-C50D	1	(MT)			3C01-
N3YB-10-C50D	1	(AT)			3C01-
10-309		PIN, TUBULAR			
1757-10-309	4				
3C01 FD333*-301464					

AUFA05

CAT. AUFA05-03

1995-03

1040 OIL PAN,FRONT & REAR HOUSING



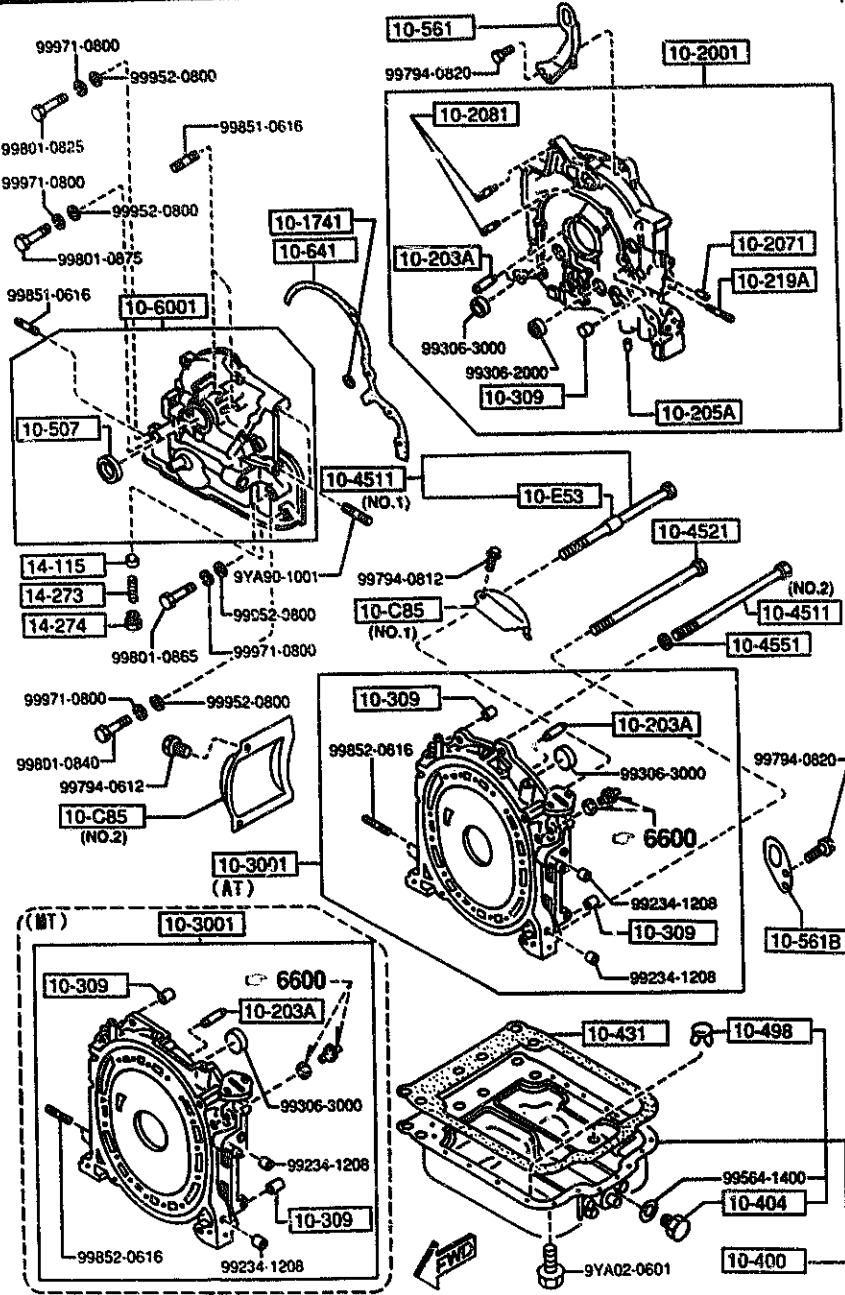
PART NO.	QTY	MODEL/RESTRICTION	MODEL/RESTRICTION	MODEL/RESTRICTION	FROM-TO
10-400		PAN,OIL			
NSA1-10-400A	1				
10-404		PLUG,DRAIN			
HE03-10-404	1				
10-431		GASKET,OIL PAN			
N3YA-10-427	1				
10-4511		BOLT,TENSION			
N350-10-E50A	1	(ILLUST. NO.1)			
N350-10-E51B	17	(ILLUST. NO.2)			
10-4521		BOLT,TENSION			
N350-10-E61A	1				
10-4551		WASHER,SEAL			
0839-10-455	17				
10-498		CAP,BLIND-OIL PAN			
N3A1-10-498	2				
10-507		SEAL,OIL			
NSA1-10-507	1				
10-561		HANGER,ENGINE			
NSA1-10-560B	1				
10-561B		HANGER,ENGINE-REAR			
NSA1-10-566	1				
10-6001		COVER,FRONT			
NSA1-10-500	1				
10-641		GASKET,FRONT COVER			
NSA1-10-502	1				
14-115		PLUNGER,CONTROL			
0839-14-115	1				

AUFA05

CAT. AUFA05-03

1995-03

1040 OIL PAN, FRONT & REAR HOUSING

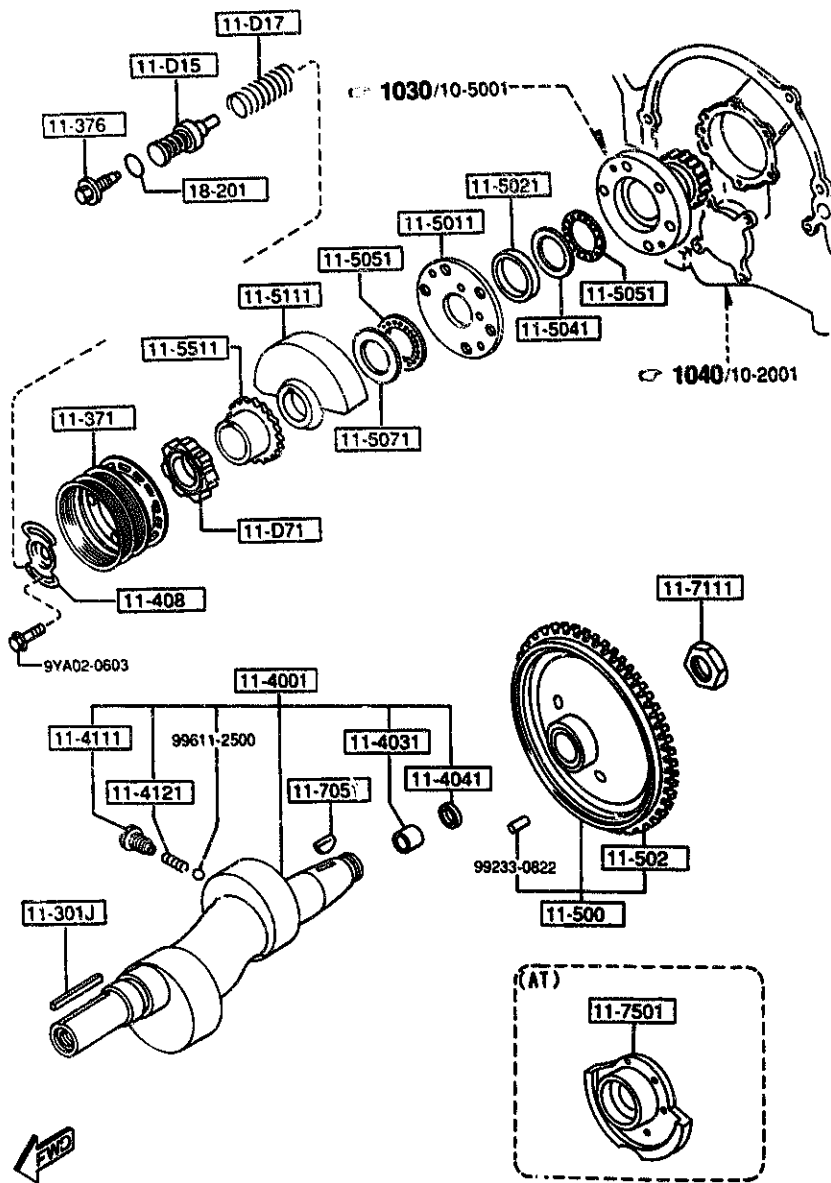


PART NO.	QTY	MODEL/RESTRICTION	MODEL/RESTRICTION	MODEL/RESTRICTION	FROM-TO
14-273 N3A1-14-273A	1	SPRING			
14-274 0839-14-274	1	PLUG			

AUFA05

CAT. AUFA05-03

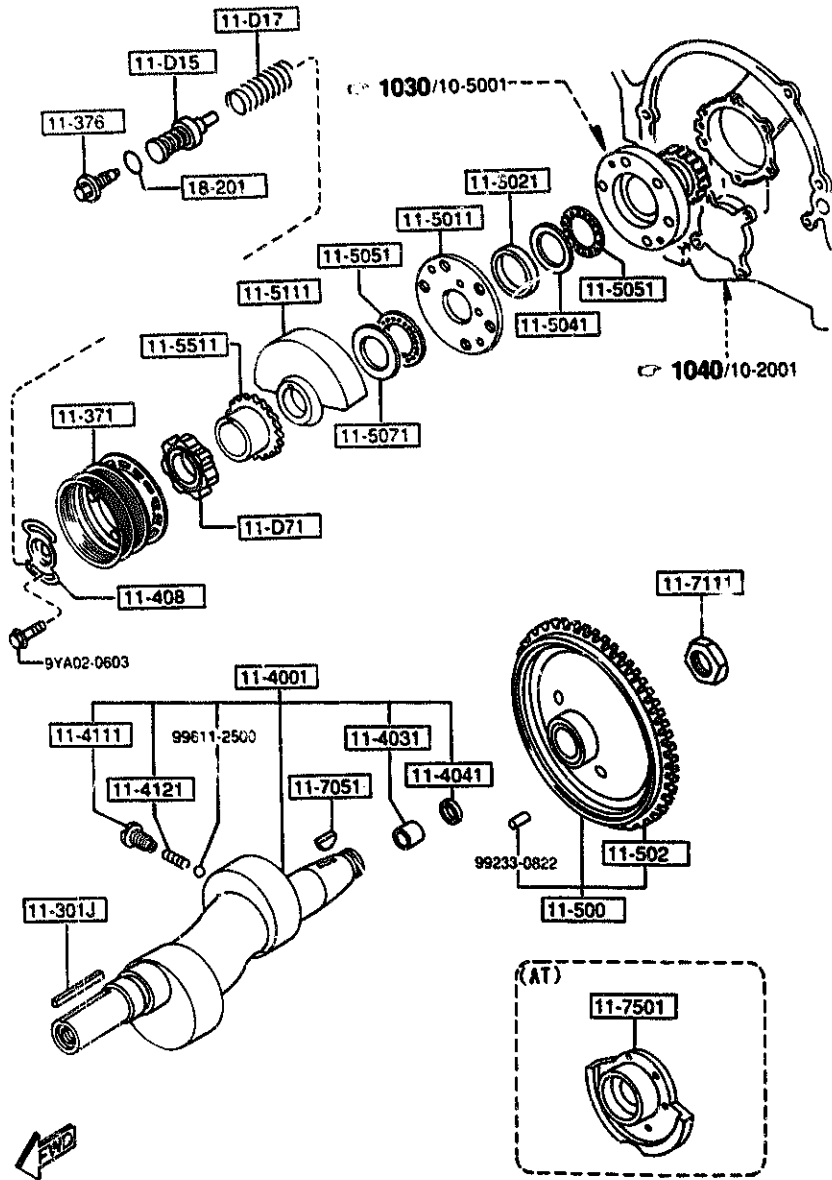
1995-03



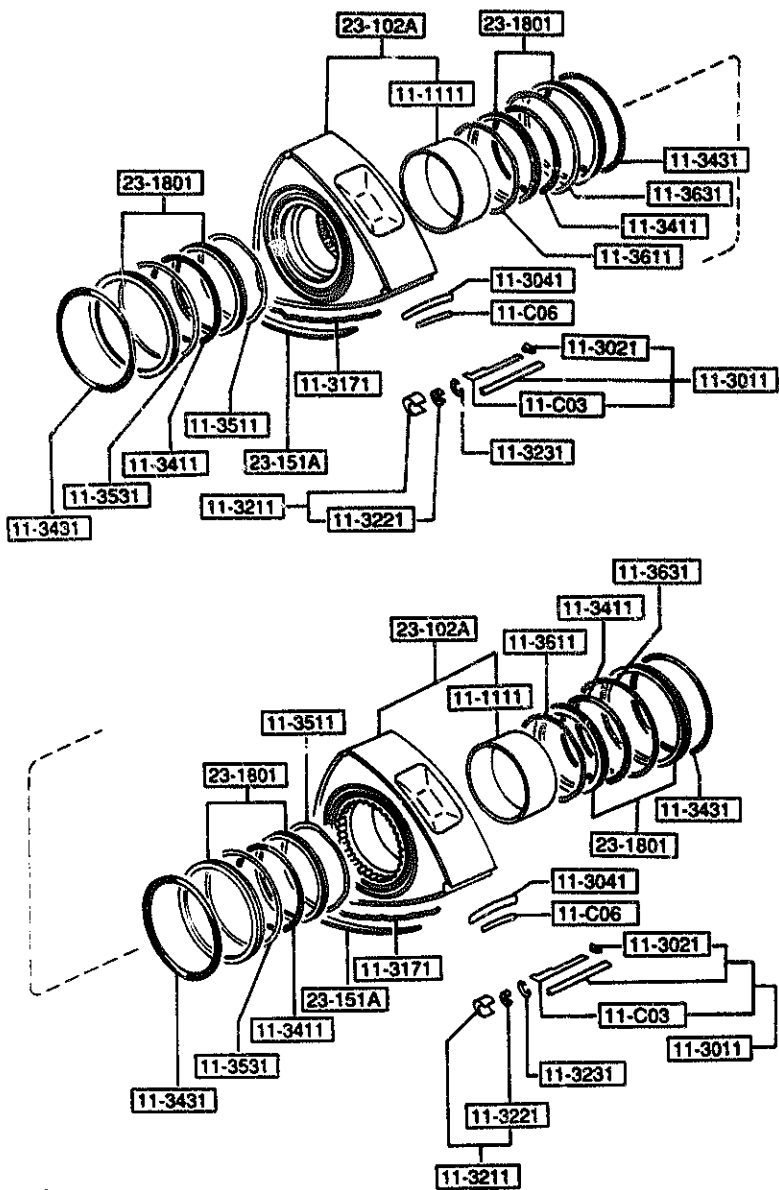
PART NO.	QTY	MODEL/RESTRICTION	MODEL/RESTRICTION	MODEL/RESTRICTION	FROM 10
11-5011		PLATE			
NF01-11-D51	1				
11-502		GEAR, RING-FLY WHEEL			
N318-11-502A	1 (MT)				
11-5021		SPACER			
NF01-11-D55	1	L=8.0, -0.005/-0.025			
NF01-11-D56	1	L=8.0, -0.005/+0.015			
NF01-11-D57	1	L=8.0, +0.015/+0.035			
NF01-11-D58	1	L=8.0, +0.035/+0.055			
NF01-11-D59	1	L=8.0, +0.055/+0.075			
11-5041		PLATE, THRUST			
N398-11-D52	1				
11-5051		BEARING, NEEDLE			
NF01-11-D54	2				
11-5071		WASHER, THRUST			
NF01-11-D53	1				
11-5111		WEIGHT, BALANCE			
N3A7-11-D61	1 (MT)				
N3A8-11-D61	1 (AT)				
11-5511		GEAR, DRIVE-OIL PUMP			
N326-11-D75	1				
11-7051		KEY, FLY WHEEL			
0820-11-705	1				
11-7111		NUT, LOCK			
0810-11-711	1				
11-7501		WEIGHT, COUNTER			
N351-11-521	1 (AT)				

1100 ECCENTRIC SHAFT & FLYWHEEL

1100 -3 W ECCENTRIC SHAFT & FLYWHEEL

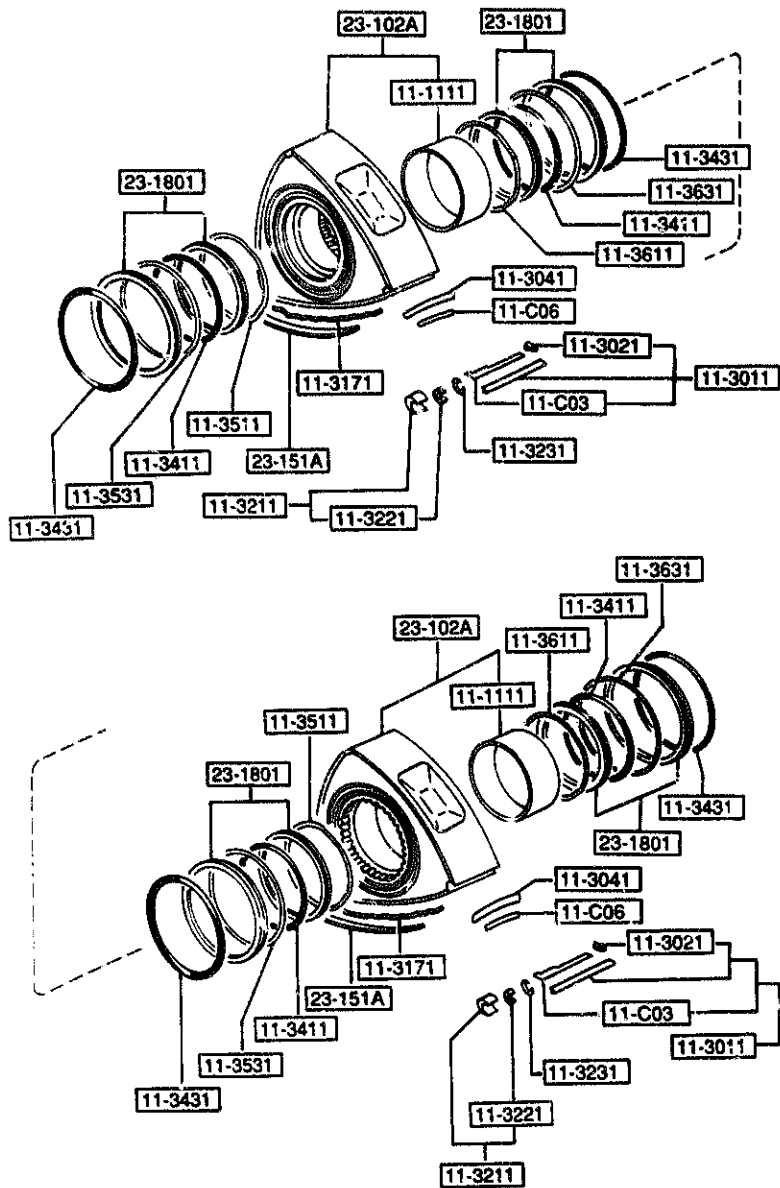


PART NO.	QTY	MODEL/RESTRICTION	MODEL/RESTRICTION	MODEL/RESTRICTION	FROM TO
18-201		RING, 'O'			
99541-01105	1				



PART NO.	QTY	MODEL/RESTRICTION	MODEL/RESTRICTION	MODEL/RESTRICTION	FIGURE
11-C03		PIECE, 2ND - APEX SEAL			
N326-11-C03A	6				
11-C06		SPRING, OUTER-APEX SEAL			
N326-11-C06A	6				
11-1111		METAL, ROTOR			
N3A1-11-B11	2	3.000(-0.005--0.010)			
N3A2-11-B11	2	3.000(0.000--0.005)			
N3A3-11-B11	2	3.000(+0.005-0.000)			
11-3011		SEAL, APEX			
N351-11-C00	6				
11-3021		PIECE, SIDE			
N326-11-C02A	6				
11-3041		SPRING, APEX SEAL			
N326-11-C04A	6				
11-3171		SPRING, SIDE SEAL			
NF01-11-C17	12				
11-3211		SEAL, CORNER			
N326-11-C20A	12				
11-3221		PLUG, CORNER SEAL			
N326-11-C22A	24				
11-3231		SPRING, CORNER SEAL			
NF01-11-C24	12				
11-3411		RING, 'O'-INNER			
0820-11-341	4				
11-3431		RING, 'O'-OUTER			
8341-11-343	4				



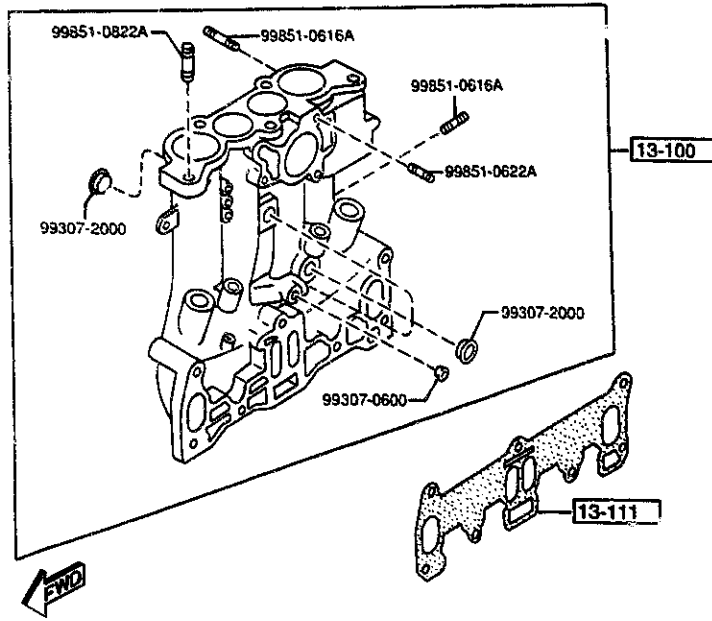
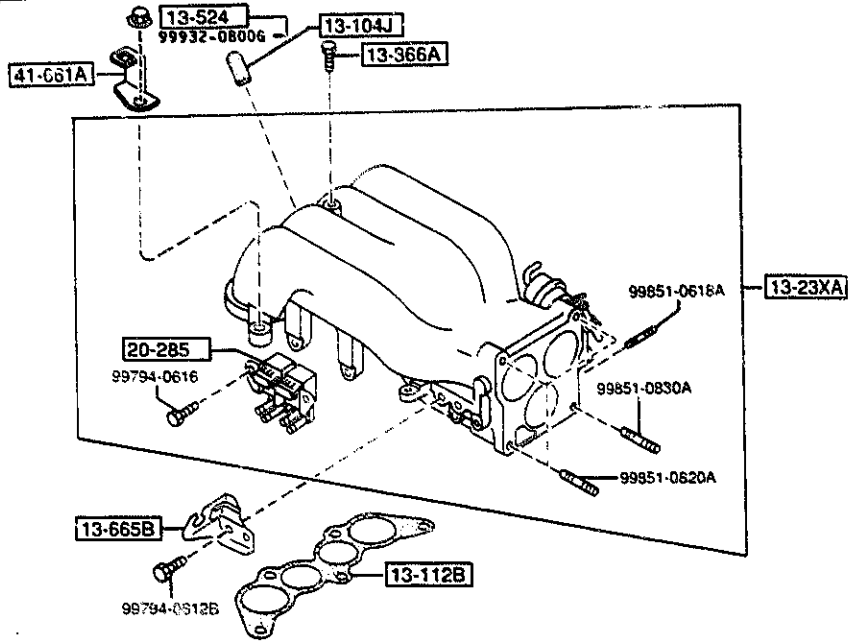


PART NO.	QTY	MODEL/RESTRICTION	MODEL/RESTRICTION	MODEL/RESTRICTION	FROM TO
11-3511		SPRING, FRT. - INNER			
N225-11-351	2				
11-3531		SPRING, FRT. - OUTER			
1011-11-353A	2				
11-3611		SPRING, REAR - INNER			
N225-11-361	2				
11-3631		SPRING, REAR - OUTER			
1011-11-363A	2				
23-102A		ROTOR			
NSVA-11-B10	2				
23-151A		SEAL, SIDE			
NSV1-11-C11	12				
23-1801		SEAL SET, OIL			
8871-23-180	4				



1300 -1 * INLET MANIFOLD

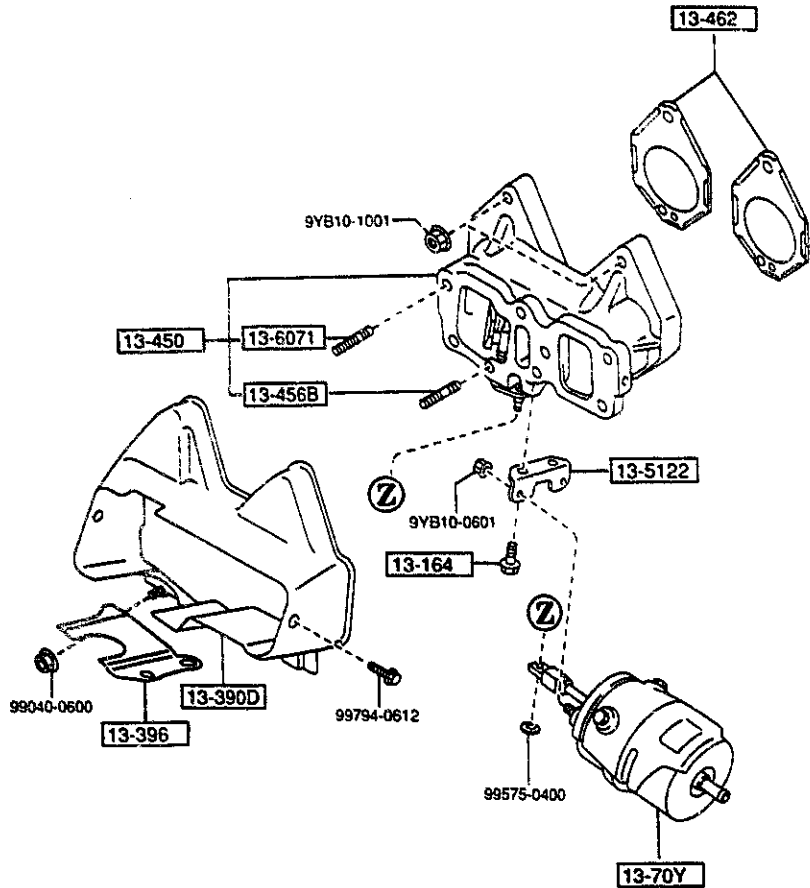
1300 INLET MANIFOLD



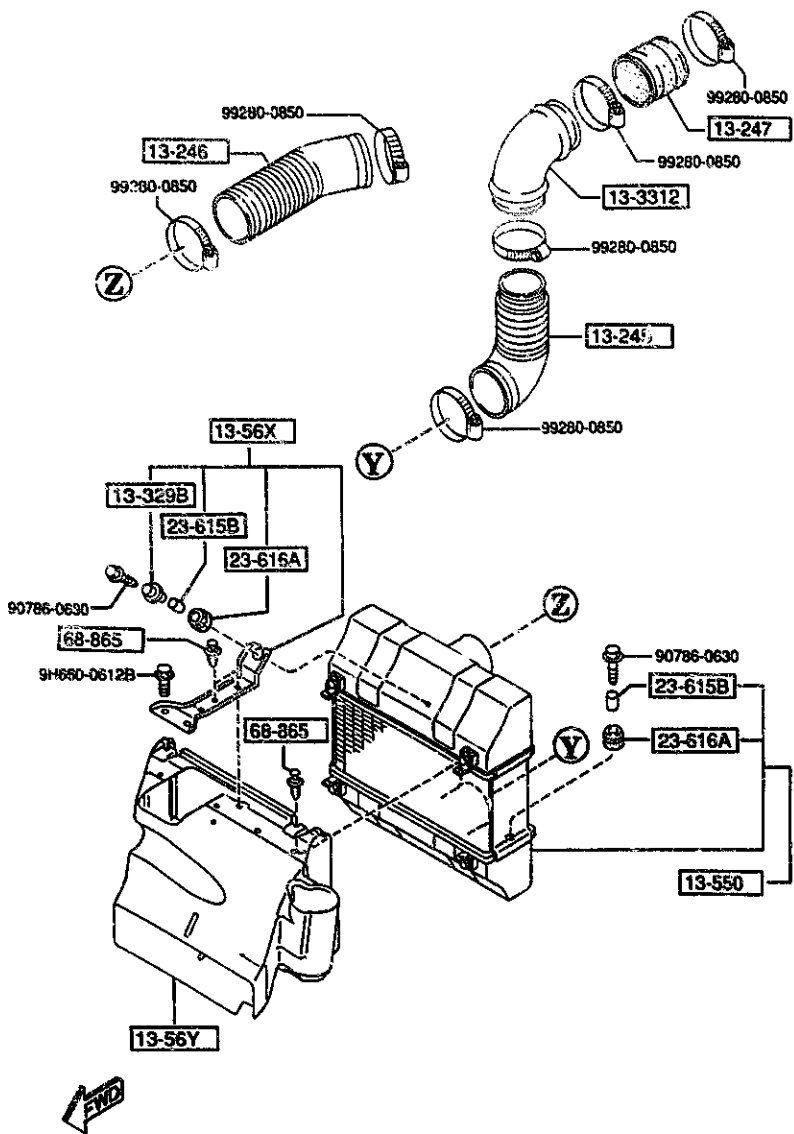
PART NO.	QTY	MODEL/RESTRICTION	MODEL/RESTRICTION	MODEL/RESTRICTION	FROM TO
13-100		MANIFOLD, INLET			
NSC1-13-100	1				
13-104J		CAP, BLIND			
1010-13-104	1				
13-111		GASKET, IN. MANIFOLD			
NSA1-13-111	1				-3805
A (NSA1-13-111A)					
NSA1-13-111A	1				3805-
13-112B		GASKET NO. 2, IN. MANIFOLD			
NSA1-13-112	1				
13-23XA		MANIFOLD(R), EXTENSION			
NSA1-13-23XB	1				
13-366A		BOLT			
NF01-13-366	1				
13-524		NUT			
NF01-13-524	4				-3901
13-665B		BRACKET, ACCEL WIRE			
NSA1-13-661	1				
20-285		VALVE, DUTY SOLENOID			
NSA1-20-285	1				
41-661A		BRACKET, ACCEL CABLE			
FD01-41-661B	1				
3805 FD333*-300031					
3901 FD333*-300438					

1310 -1 * EXHAUST MANIFOLD

1310 EXHAUST MANIFOLD



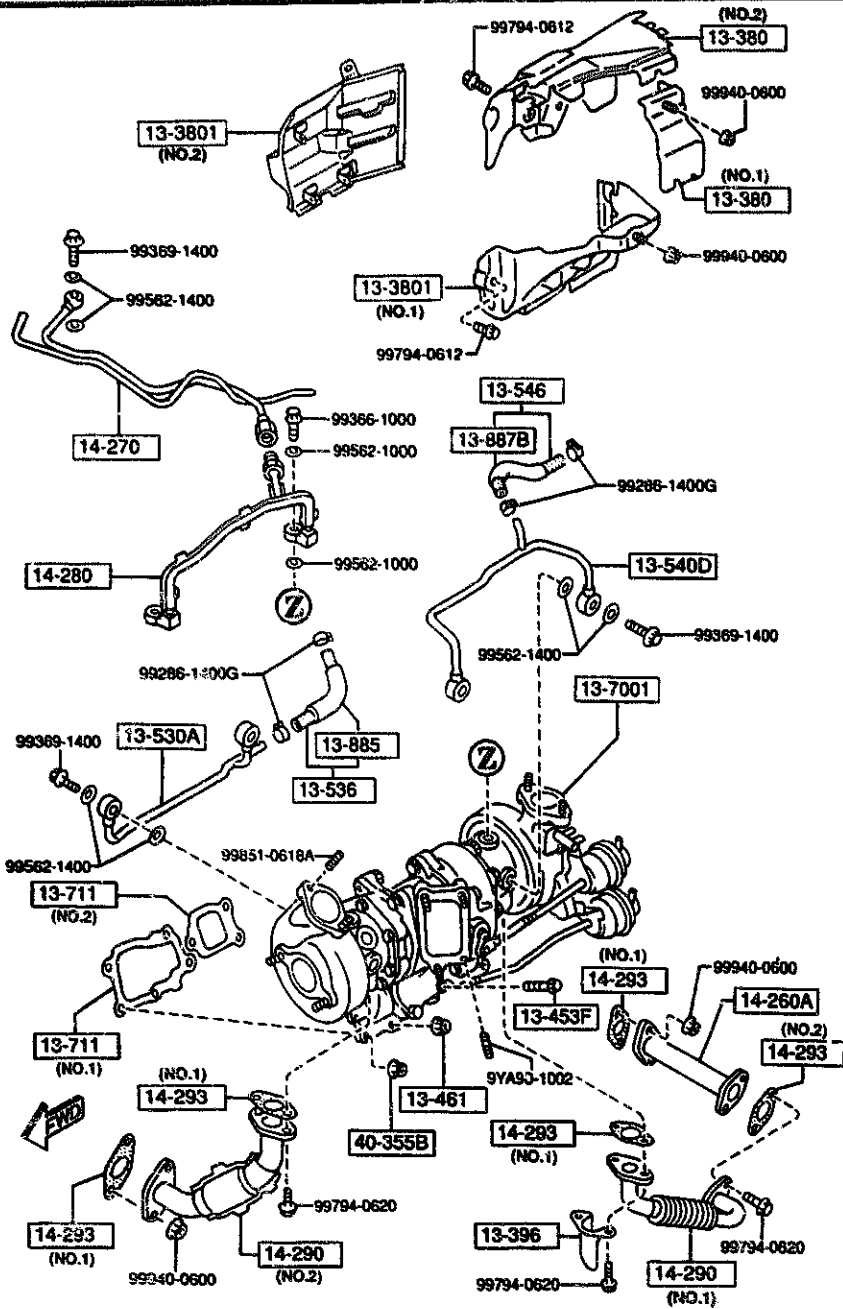
PART NO	QTY	MODEL/RESTRICTION	MODEL/RESTRICTION	MODEL/RESTRICTION	FROM TC
13-164 N350-13-164	2	BOLT, FUEL DISTRIBUTOR			
13-390D N3A1-13-390B	1	INSULATOR, EX. MANIFOLD			
13-396 N3A1-13-396A	1	INSULATOR, SUB			
13-450 N3A1-13-450A	1	MANIFOLD, EXHAUST			
13-456B N391-13-456	1	STUD, EX. MANIFOLD			
13-462 N3A1-13-461	2	GASKET, EX. MANIFOLD			
13-5122 N3C1-13-468	1	BRACKET, EX. MANIFOLD			
13-6071 NF01-13-708A	5	STUD			
13-70Y N3A1-13-70Y	1	ACTUATOR, EXHAUST VALVE			



PART NO.	QTY	MODEL/RESTRICTION	MODEL/RESTRICTION	MODEL/RESTRICTION	FROM TO
13-245		JOINT, RUBBER			
N3C1-13-245	1				
13-246		JOINT, RUBBER			
N3A1-13-246A	1				
13-247		JOINT, RUBBER			
N3A2-13-247	1				
13-329B		SPACER			
N3A1-13-329	1				
13-3312		PIPE, AIR INTAKE			
N3A1-13-33X	1				
13-550		CHARGE, AIR COOLER			
N3A1-13-550	1				
13-56X		BRACKET, INTER COOLER			
N3A1-13-56X	1				
13-56Y		DUCT, AIR-INTER COOLER			
N3A1-13-56YB	1				
23-615B		COLLAR			
SL50-13-211	3				
23-616A		INSULATOR			
SL50-13-208	3				
68-865		FASTENER			
BR70-68-865	6				

1312 TURBO CHARGER

1312 -1 TURBO CHARGER



AUFA05

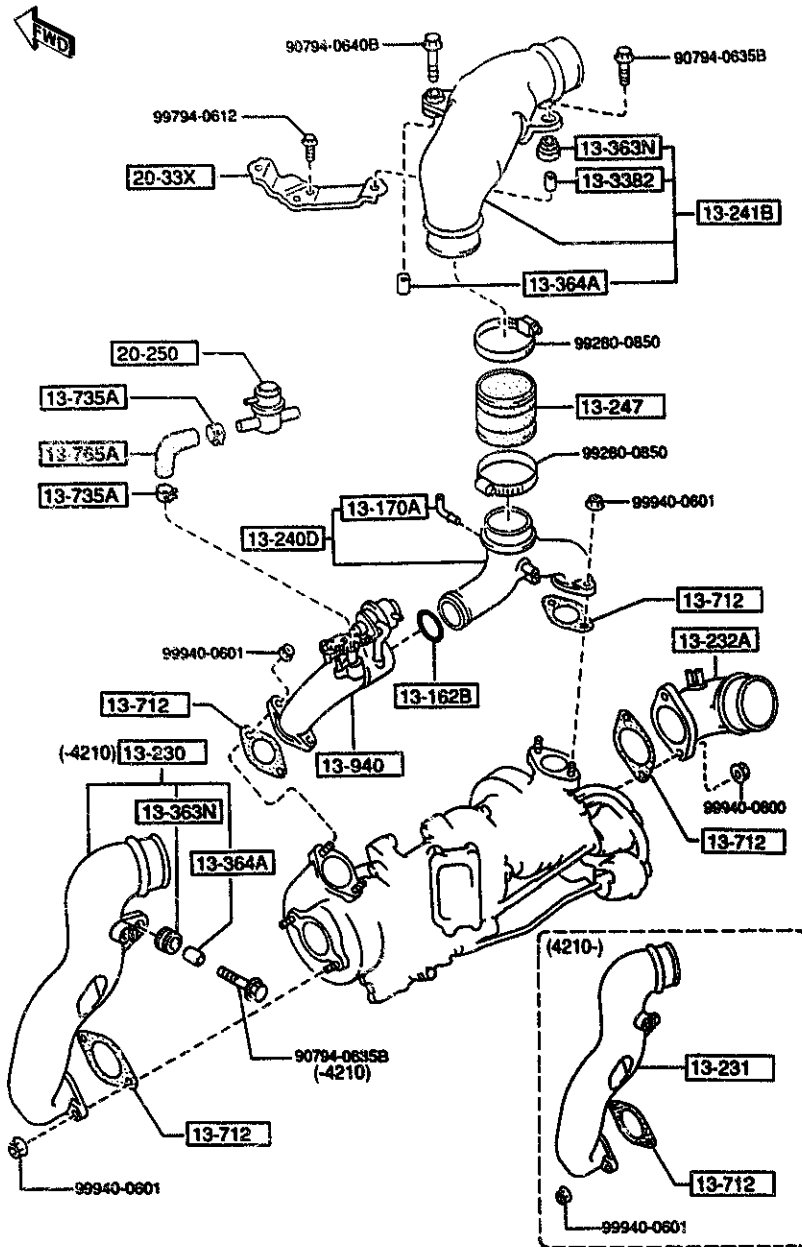
PART NO.	QTY	MODEL/RESTRICTION	MODEL/RESTRICTION	MODEL/RESTRICTION	FROM TO
13-380		INSULATOR, HEAT			
N3A1-13-380	1	(ILLUST. NO.1)			
N3A1-13-385A	1	(ILLUST. NO.2)			
13-3801		PLATE, ABSORBER			
N3A1-13-C80B	1	(ILLUST. NO.1)			
N3A2-13-C80C	1	(ILLUST. NO.2)			
13-396		INSULATOR, SUB			
N3A1-13-397A	1				
13-453F		BOLT, INSULATOR			
N393-13-453A	2				
13-461		NUT, EX. MANIFOLD			
E5B6-13-461B	1				
13-530A		PIPE, WATER IN -T/C			
N3C1-13-530	1				
13-536		HOSE, WATER-TURBOCHARGER			
N3A1-13-53X	1				
13-540D		PIPE, WATER			
N3A1-13-540A	1				
13-546		HOSE, WATER-T/C WATER-PIPE			
N3A1-13-54X	1				
13-7001		TURBOCHARGER			
N3C1-13-700	1				
13-711		GASKET, TURBOCHARGER			
N3A1-13-710	1	(ILLUST. NO.1)			
N3A2-13-710	1	(ILLUST. NO.2)			
13-885		PROTECTOR, SPONGE			
N3A1-13-885	1				
13-887B		PROTECTOR, SPONGE			

CAT. AUFA05-03

1995-03

1313 TWIN TURBO AIR INTAKE SYSTEM

1313 -1 TWIN TURBO AIR INTAKE SYSTEM

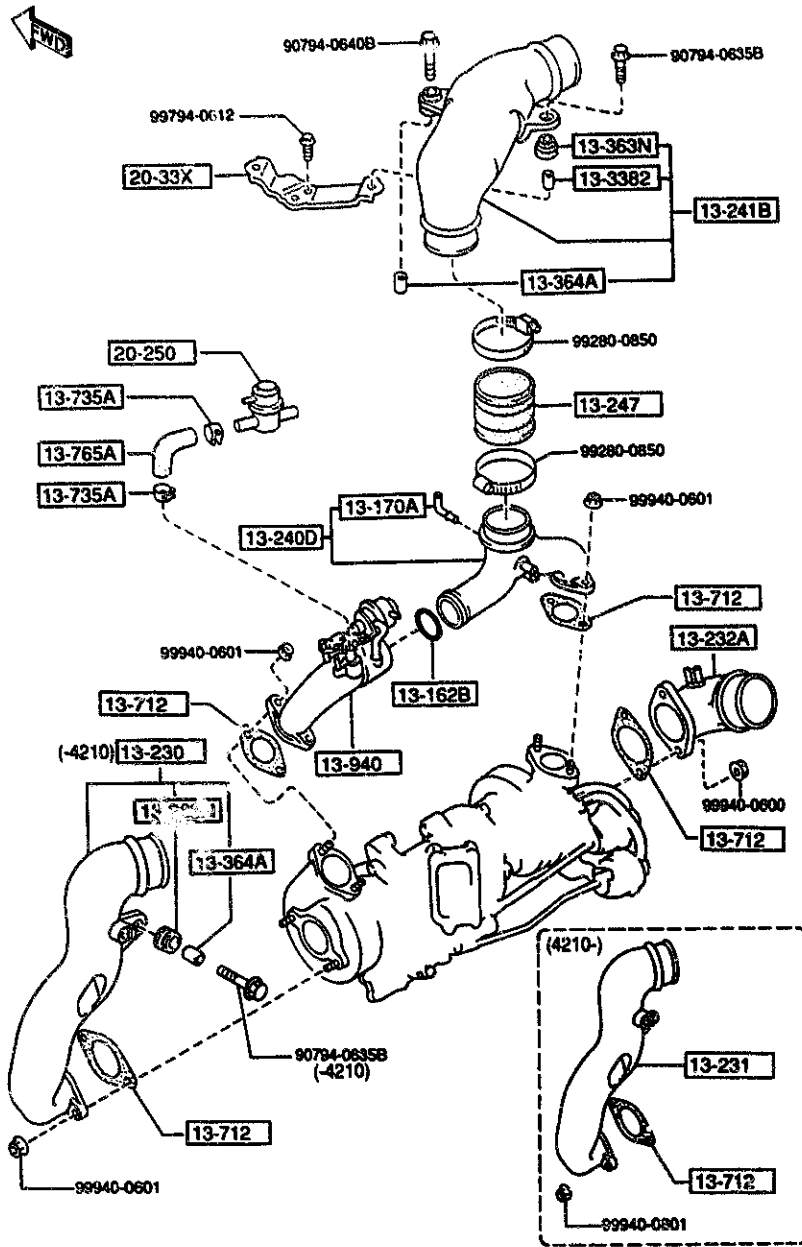


PART NO.	QTY	MODEL/RESTRICTION	MODEL/RESTRICTION	MODEL/RESTRICTION	FROM-TO
13-162B		RING, 'O'-INLET MANIF			
NSA1-13-162	1	OLD			
13-170A		CONNECTOR, HOSE			
NSAS-13-170	1				
13-230		PIPE, AIR INTAKE			
NSA1-13-230	1				-4210
AN(NSA1-13-231)					
13-231		PIPE, AIR			
*NSA1-13-231	1				4210-
13-232A		PIPE, AIR INTAKE			
NSA1-13-232	1				
13-240D		PIPE, AIR INTAKE-INT.			
NSA1-13-240A	1	COOLE			
13-241B		PIPE, AIR INTAKE			
NSA1-13-240A	1				
13-247		JOINT, RUBBER			
NSA2-13-247	1				
13-3382		SPACER			
FE51-13-329	1				
13-363N		RUBBER, MOUNTING			
FE51-13-363	3				-4210
FE51-13-363	2				4210-
13-364A		SPACER			
NF02-13-364	2				-4210
NF02-13-364	1				4210-
13-712		GASKET, TURBO			
NSA1-13-712	4				
13-735A		CLAMP, HOSE			
NF01-13-735	2				

4210 FD333*-302425

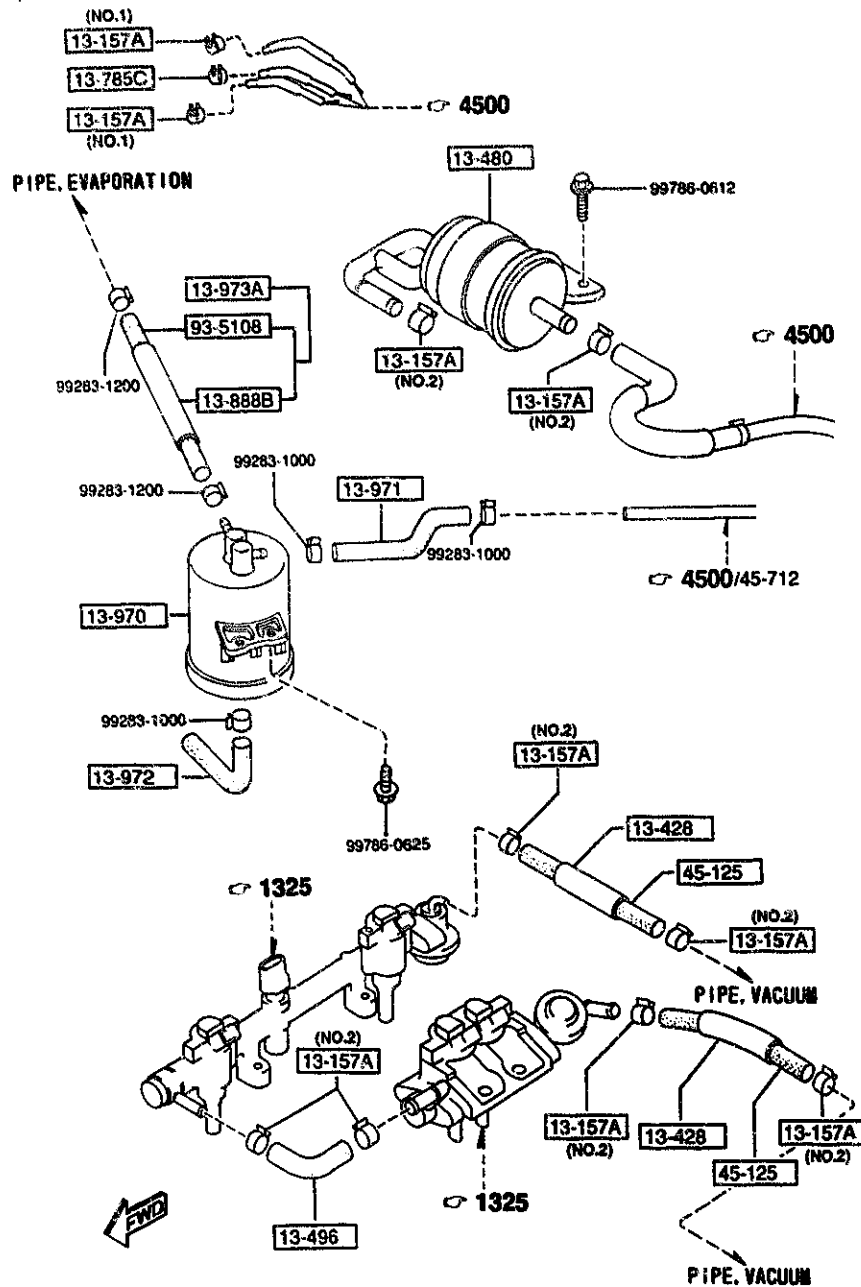
1313 TWIN TURBO AIR INTAKE SYSTEM

1313 -2 = TWIN TURBO AIR INTAKE SYSTEM

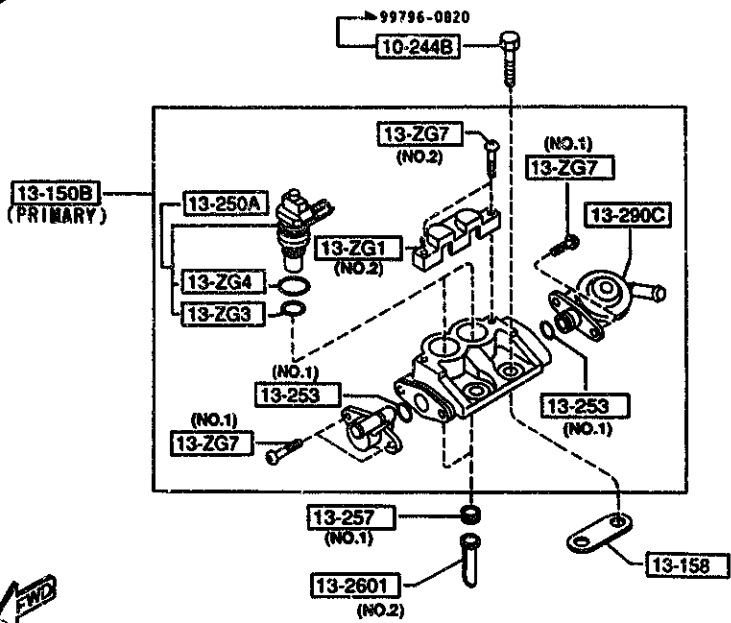
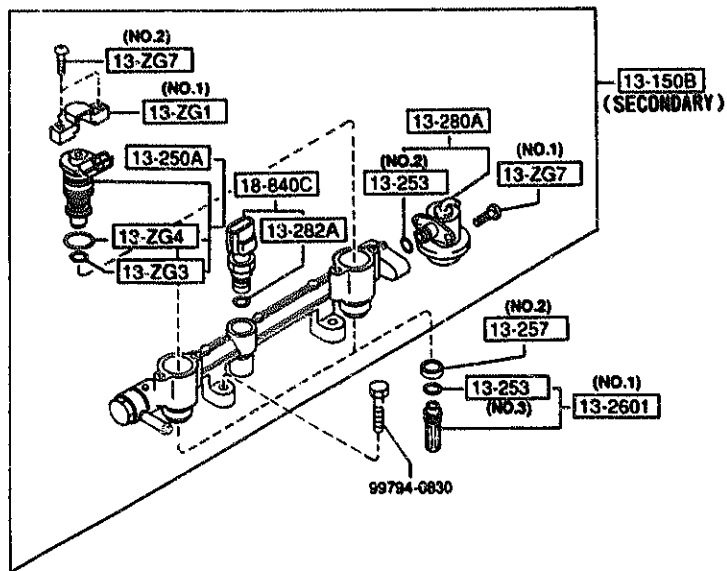


PART NO.	QTY	MODEL/RESTRICTION	MODEL/RESTRICTION	MODEL/RESTRICTION	FROM-TO
13-765A		HOSE, AIR			
NSA1-13-765	1				
13-940		VALVE, CONTROL			
N3C1-13-36Y	1				
20-250		VALVE, AIR BYPASS			
N39D-20-250	1				
20-33X		BRACKET, VACUUM CHAMBER			
NSA1-20-33X	1				

1320 FUEL SYSTEM



PART NO.	QTY	MODEL/RESTRICTION	MODEL/RESTRICTION	MODEL/RESTRICTION	FROM-TO
13-157A		CLIP			
B6B1-13-157	2	(ILLUST. NO.1)			
8574-13-157	8	(ILLUST. NO.2)			
13-428		PROTECTOR			
N326-13-428A	2				
13-489		FILTER, FUEL			
NSA1-20-490	1				
13-496		HOSE, FUEL			
NSA1-13-496	1				
13-785C		CLIP, HOSE			
NSA1-13-785	1				
13-888B		PROTECTOR, VACUUM TUBE			
NSA3-13-888	1				
13-970		CANISTER			
NSA1-13-970	1				
13-971		HOSE, VENTILATION			
NSA1-13-971	1				
13-972		HOSE, EVAPORATION			
NSA1-13-972	1				
13-973A		HOSE, EVAPORATION			
NSA3-13-97X	1				
45-125		HOSE, FUEL			
99359-0814	2				
93-5108		HOSE			
99351-08999	1				

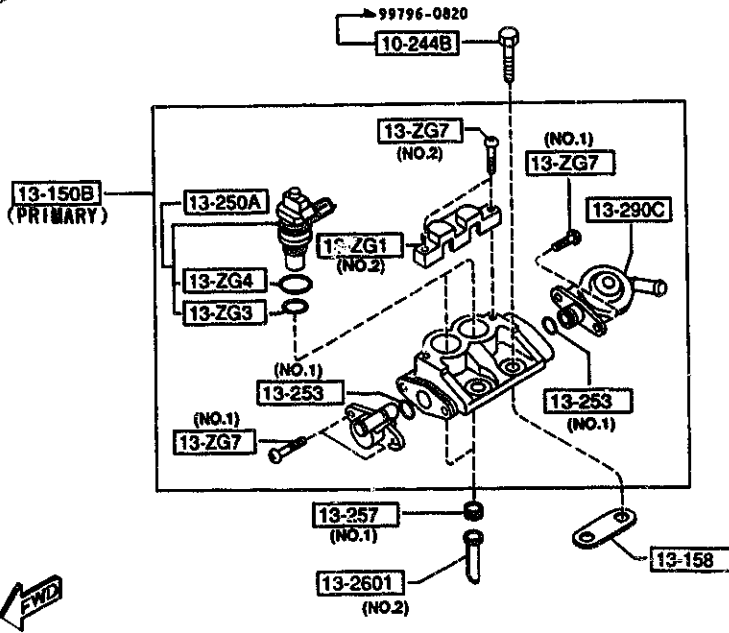
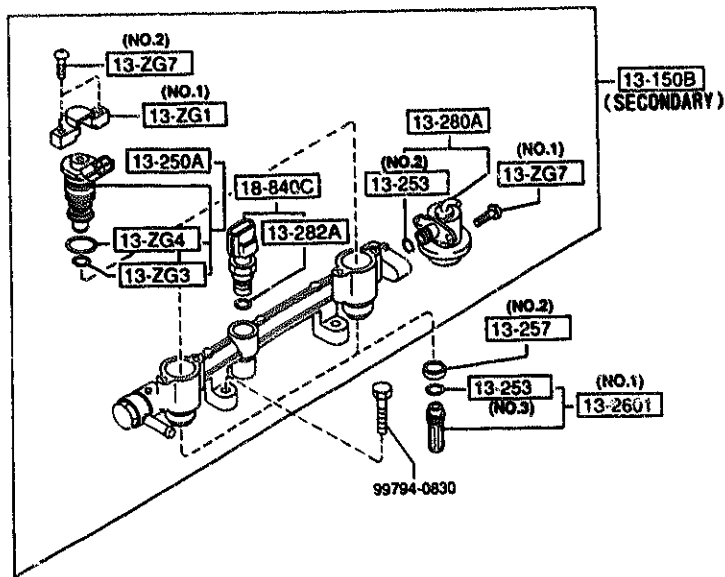


PART NO.	QTY	MODEL/RESTRICTION	MODEL/RESTRICTION	MODEL/RESTRICTION	FROM-10
10-244B 4767-10-244	2	BOLT, FUEL INJECTION PUMP			-3901
13-ZG1 JE48-13-ZG1	2	COVER, INJECTOR (ILLUST. NO. 1)			
13-ZG7 N390-13-ZG1	1	(ILLUST. NO. 2)			
13-ZG3 NF01-13-ZG3	4	RING, 'O'-INJECTOR			
13-ZG4 NF01-13-ZG4	4	RING, 'O'-INJECTOR			
13-ZG7 N3A3-13-ZG7	6	SCREW, FUEL DIS. (ILLUST. NO. 1)			
13-ZG7 N3A4-13-ZG7	6	(ILLUST. NO. 2)			
13-150B N3A1-13-150	1	DISTRIBUTOR, FUEL (PRIMARY)			
13-150B N3A2-13-150	1	(SECONDARY)			
13-158 N326-13-158	1	INSULATOR, FUEL DIST.			
13-250A N3A1-13-250	2	INJECTION, FUEL-M.P.E LECT. (PRIMARY)			
13-250A N3A2-13-250	2	(SECONDARY)			
13-253 N3A1-13-2G5	2	RING, 'O' (ILLUST. NO. 1)			
13-253 8574-13-253	1	(ILLUST. NO. 2)			
13-253 99541-01252	2	(ILLUST. NO. 3)			
13-257 NF01-13-257A	2	INSULATOR, INJECTION (ILLUST. NO. 1)			
13-257 N3A1-13-257	2	(ILLUST. NO. 2)			
13-2601 N3A1-13-C60	2	SOCKET, AIR BLEED (ILLUST. NO. 1)			

3901 FD333*-500438

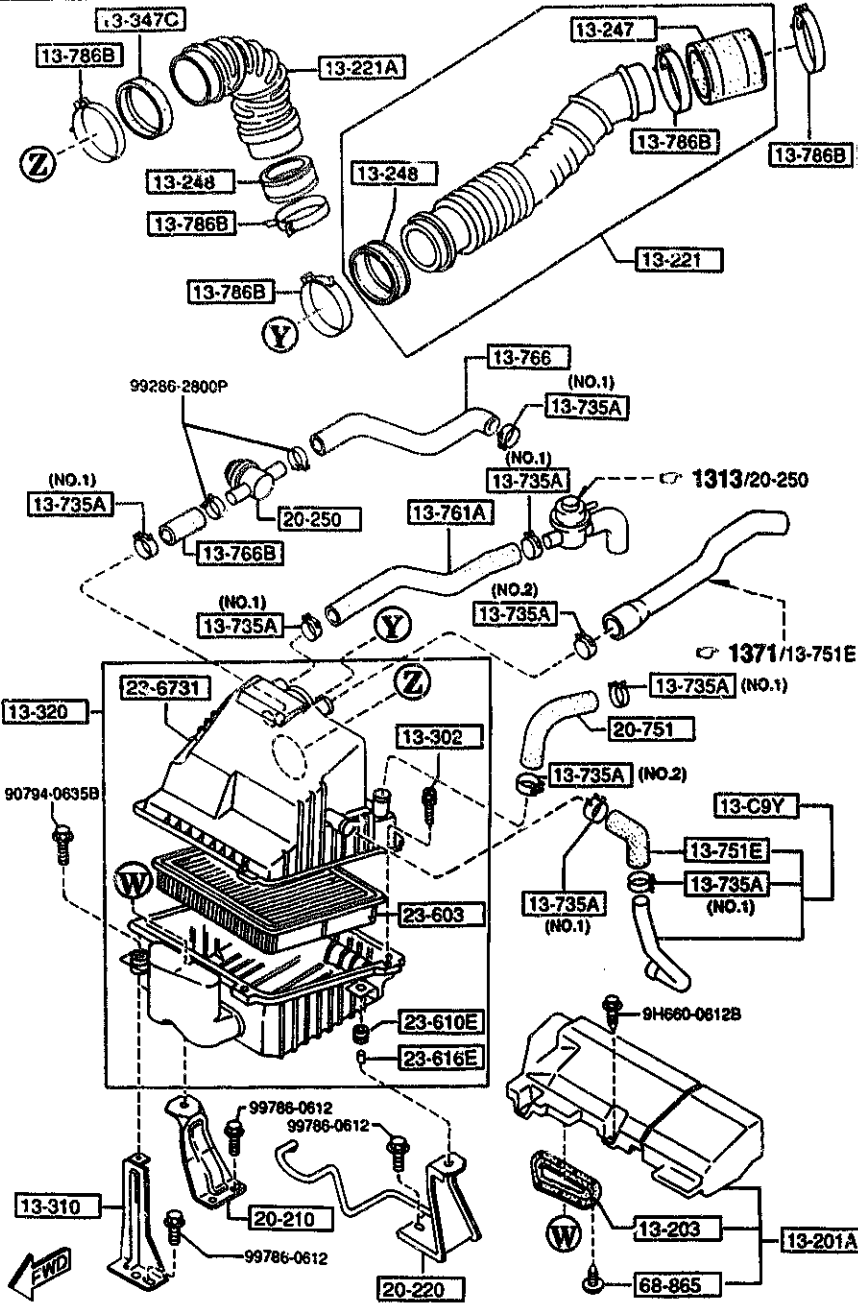
1325 FUEL DISTRIBUTOR

1325 -2 * FUEL DISTRIBUTOR



PART NO.	QTY	MODEL/RESTRICTION	MODEL/RESTRICTION	MODEL/RESTRICTION	FROM-TO
CONT'D NSA2-13-C61	2	(ILLUST. NO.2)			
↑ 13-280A ↓		PRESSURE RG., FUEL			
NSA1-13-280	1				
↑ 13-282A ↓		RING, 'O'-PRESSURE RE GU.			
N253-13-282	1				
↑ 13-290C ↓		DAMPER, PULSATION			
N3A2-20-180	1				
↑ 18-840C ↓		SENSOR, TEMP. -ENG. COO LANT			
N391-18-840	1				

1330 AIR CLEANER

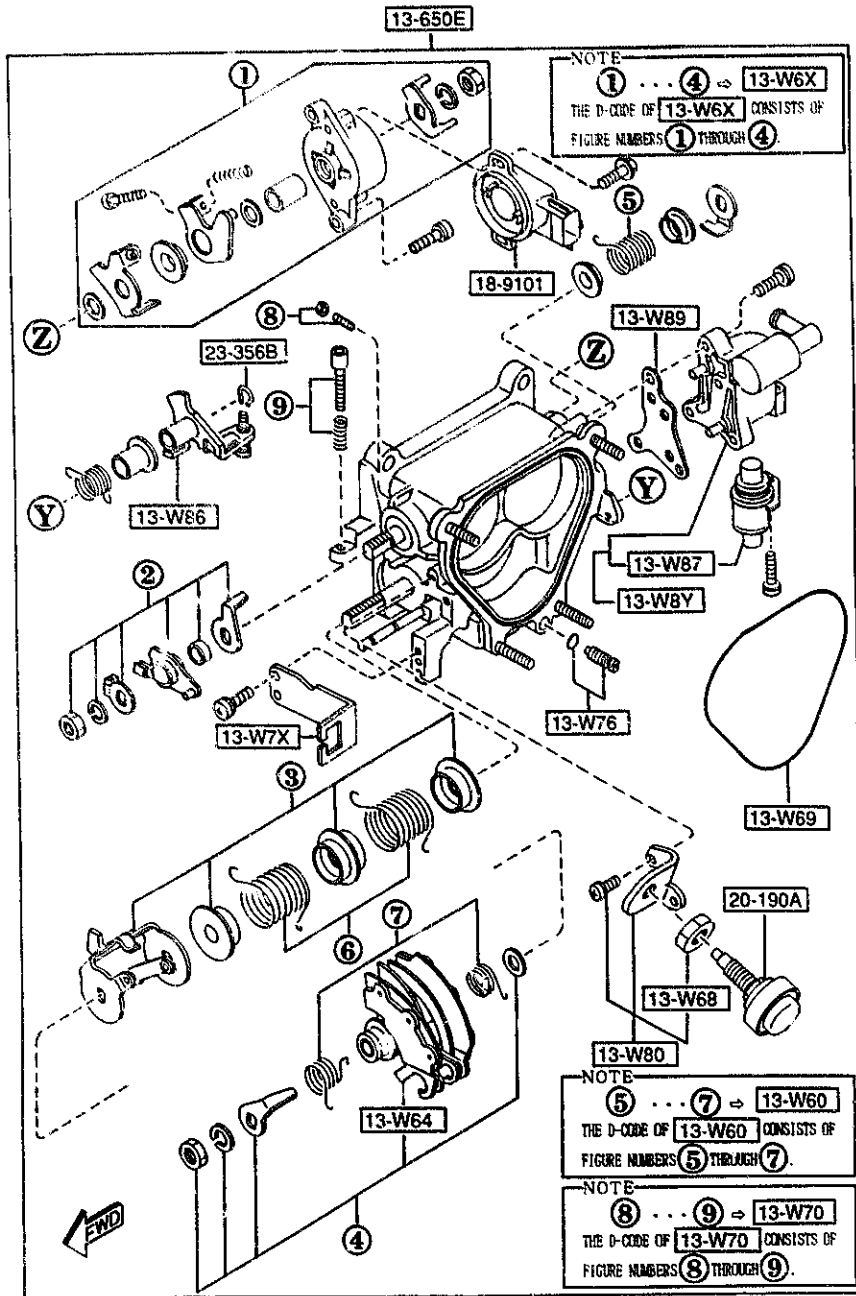


AUFA05

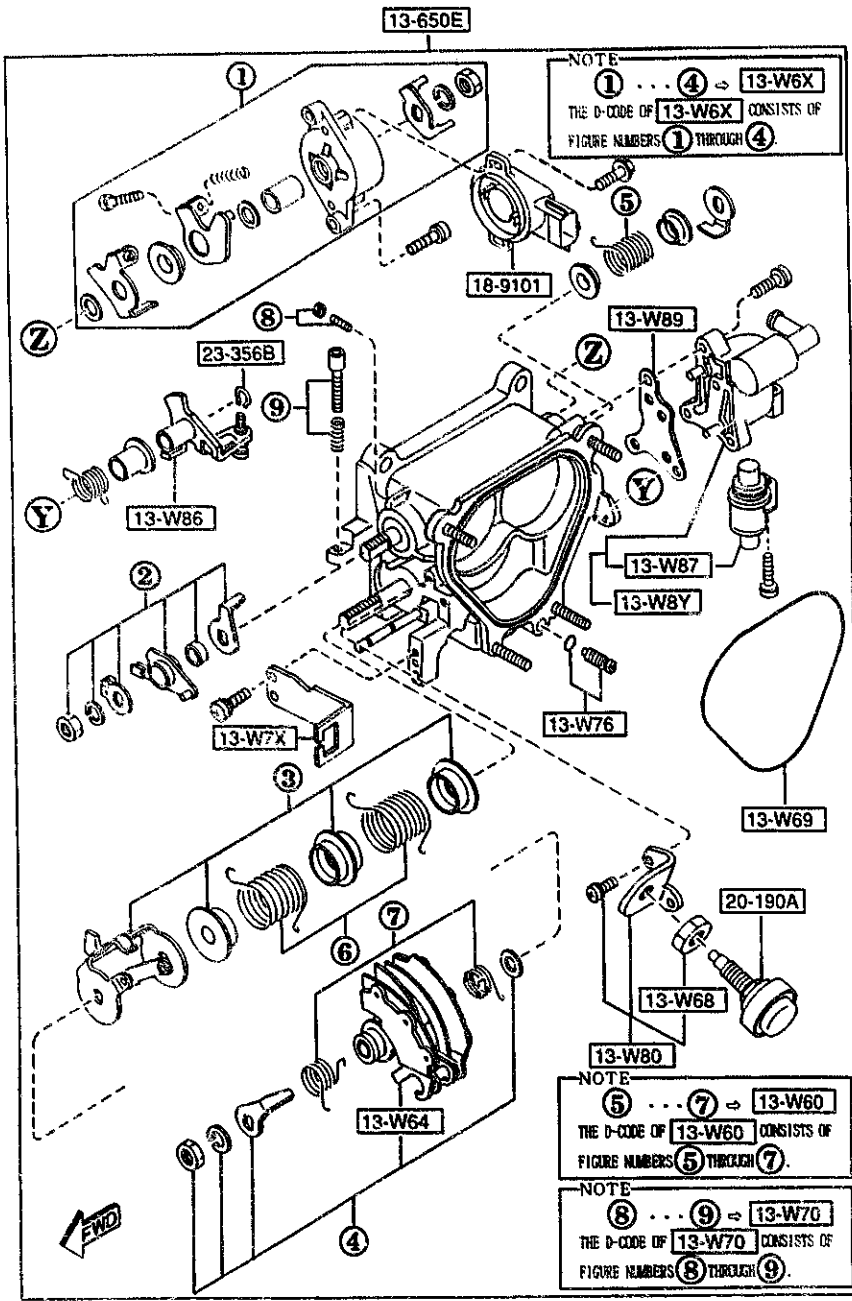
PART NO.	QTY	MODEL/RESTRICTION	MODEL/RESTRICTION	MODEL/RESTRICTION	FROM-TO
13-C9Y	1	PIPE,RELIEF			
N5C1-13-C9Y					
13-201A	1	DUCT,FRESH AIR			
N5A1-13-200					
13-203	1	RUBBER,SEAL-FRESH AIR DUC			
N5A1-13-203					
13-221	1	HOSE,AIR			
N5A1-13-220					
13-221A	1	HOSE,AIR			
N5A1-13-221A					
13-247	1	JOINT,RUBBER			
N5A3-13-247					
13-248	2	JOINT,RUBBER			
N5A1-13-247					
13-302	2	BOLT,AIR CLEANER			
F201-13-302A					
13-310	1	BRACKET,AIR CLEANER			
N3A1-20-200					
13-320	1	HOUSING,AIR CLEANER			
N5A1-13-320					
13-347C	1	JOINT,RUBBER			
N5A1-13-249					
13-735A	7 (ILLUST. NO.1)	CLAMP,HOSE			
NF01-13-735					
N5A1-13-735	2 (ILLUST. NO.2)				
13-751E	1	HOSE,AIR			
N3C1-13-751					

CAT. AUFA05-03

1995-03



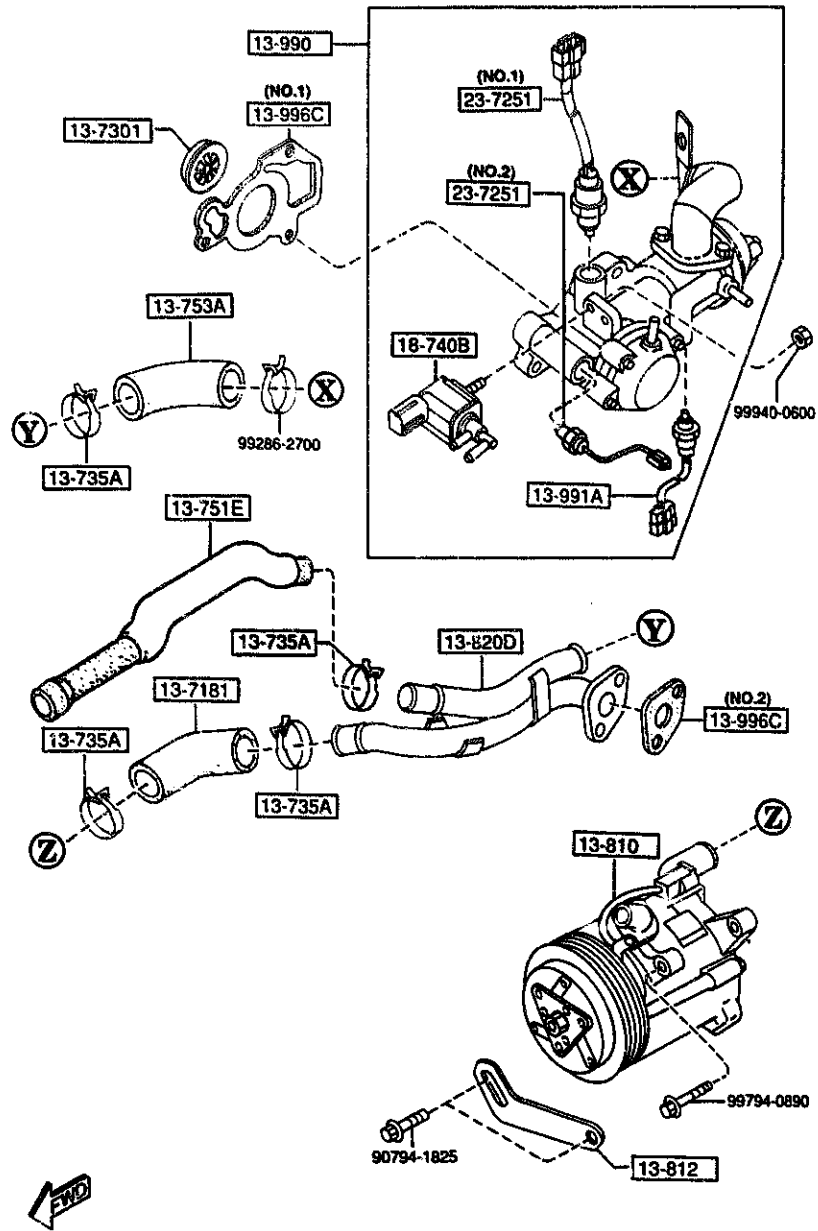
PART NO.	QTY	MODEL/RESTRICTION	MODEL RESTRICTION	MODEL RESTRICTION	FORM
13-W6X		LEVER SET, THROTTLE B			
NSA1-13-W6X	1	ODY (MT)			
NSA2-13-W6X	1	(AT)			
13-W60		SPRING SET, THROTTLE			
NSA1-13-W60	1	BODY (MT)			
NSA2-13-W60	1	(AT)			
13-W64		LEVER, THROTTLE			
NSA1-13-W64	1	(MT)			
NSA2-13-W64	1	(AT)			
13-W68		NUT			
NSA1-13-W68	1				
13-W69		RING, 'O'			
NS90-13-W69	1				
13-W7X		HOLDER SET, THROTTLE			
NSA1-13-W7X	1	BODY			
13-W70		SCREW SET, THROTTLE B			
NSA1-13-W70	1	ODY			
13-W76		SCREW, ID. ADJUST-TH.			
NSA1-13-W76	1	BODY			
13-W8Y		HOUSING, WAX			
NSA1-13-W8Y	1				
13-W80		BRKT SET, DASH POT-TH			
NSA1-13-W80	1	ROT			
13-W86		CAM, FIRST IDLE			
NSA1-13-W86	1				
13-W87		WAX, THERMO			
NSA1-13-W87	1				
13-W89		GASKET, THERMO			



PART NO.	QTY	MODEL/RESTRICTION	MODEL/RESTRICTION	MODEL/RESTRICTION	FROM TO
CONT'D					
N3A1-13-W89	1				
↑ 13-650E ↓		BODY, THROTTLE			
N3A1-13-640	1 (MT)				
N3A2-13-640	1 (AT)				
↑ 18-9101 ↓		SENSOR, THROTTLE POSI			
N3A1-18-911	1 (MT)				
N3A2-18-911	1 (AT)				
↑ 20-190A ↓		DASH POT			
N3A1-20-190	1				
N350-20-190	1				
↑ 23-356B ↓		RING, STOP			
N236-23-356	1				

-3830
3830-

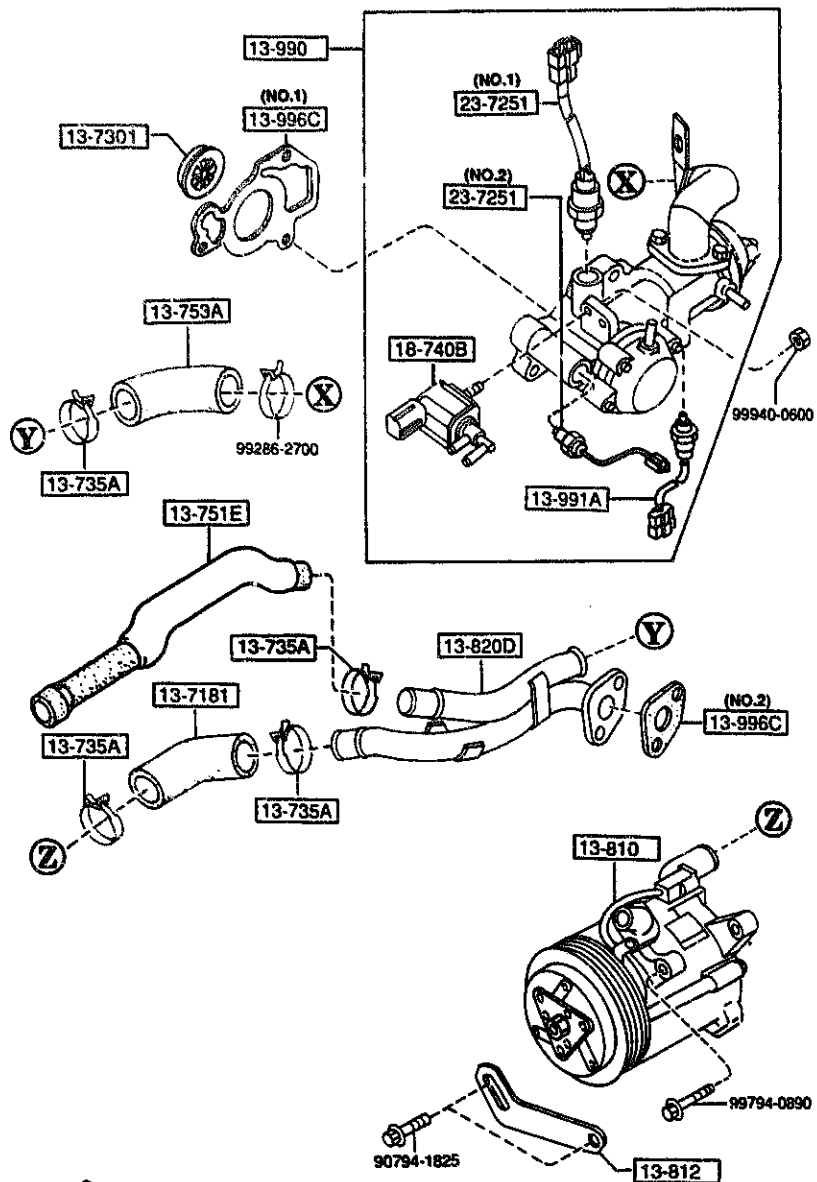
3830 FD333*-300373



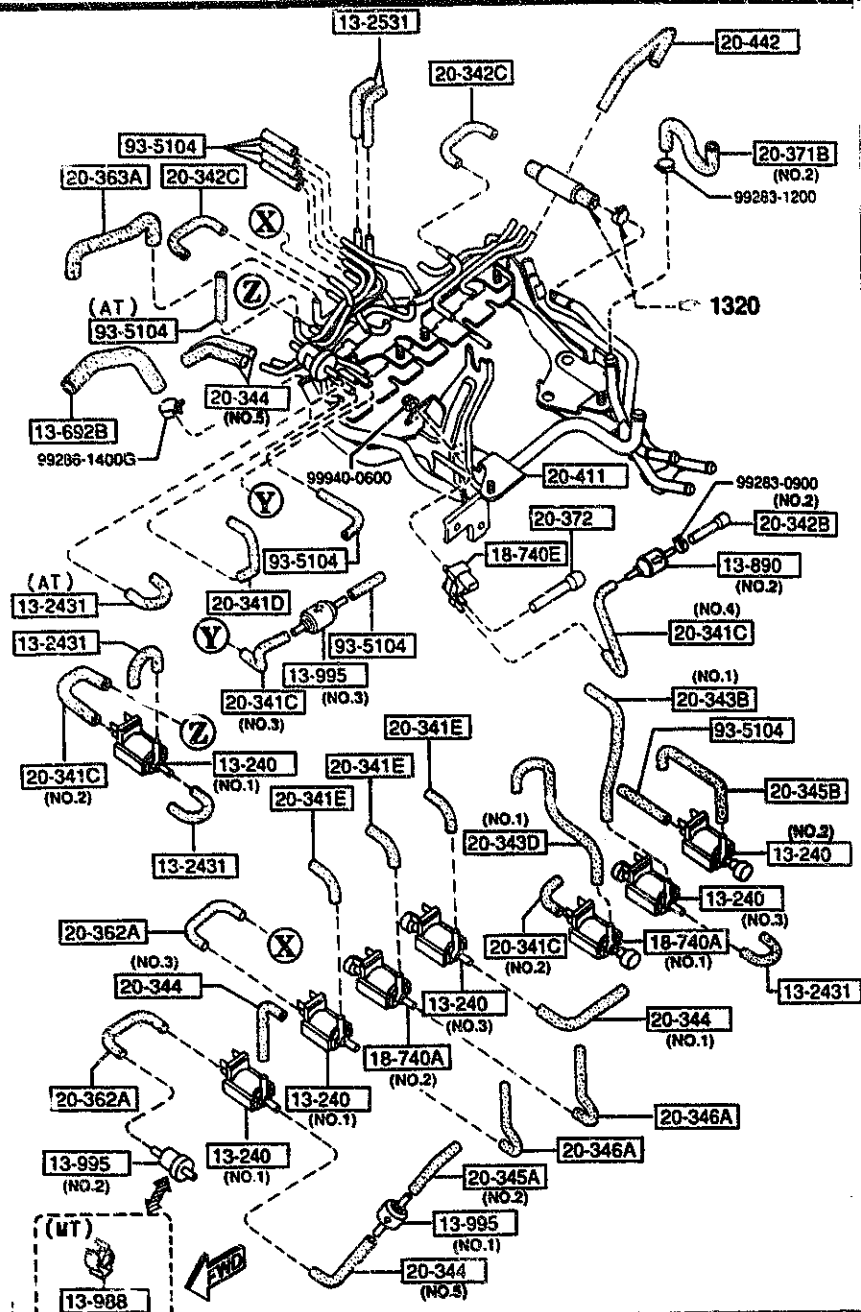
PART NO.	QTY	MODEL/RESTRICTION	MODEL/RESTRICTION	MODEL/RESTRICTION	FROM-TO
13-7181		HOSE, AIR			
N3A3-20-752	1				
13-7301		VALVE, CHECK			
1480-13-730	1				
13-735A		CLAMP, HOSE			
NF01-13-735	4				
13-751E		HOSE, AIR			
N3A3-13-754A	1				
13-753A		HOSE, AIR			
N3A3-13-753	1				
13-810		PUMP, AIR			
N3A3-13-810	1 (MT)				
N3A4-13-810	1 (AT)				
13-812		STRAP, AIR PUMP			
N3A1-13-812	1				
13-820D		PIPE, AIR			
N3A3-13-820A	1				
13-990		VALVE, AIR CONTROL			
N3A3-13-990	1 (MT)				
N3A4-13-990	1 (AT)				
13-991A		VALVE, SOLENOID-A.C. VALVE			
N3A1-13-991	1				
13-996C		GASKET, A.C.V.			
N3A3-13-996	1 (ILLUST. NO.1)				
N3A4-13-996	1 (ILLUST. NO.2)				
18-740B		VALVE, SOLENOID			
N3A1-18-741	1				
23-7251		VALVE, SOLENOID			

1371 AIR PUMP & AIR CONTROL VALVE

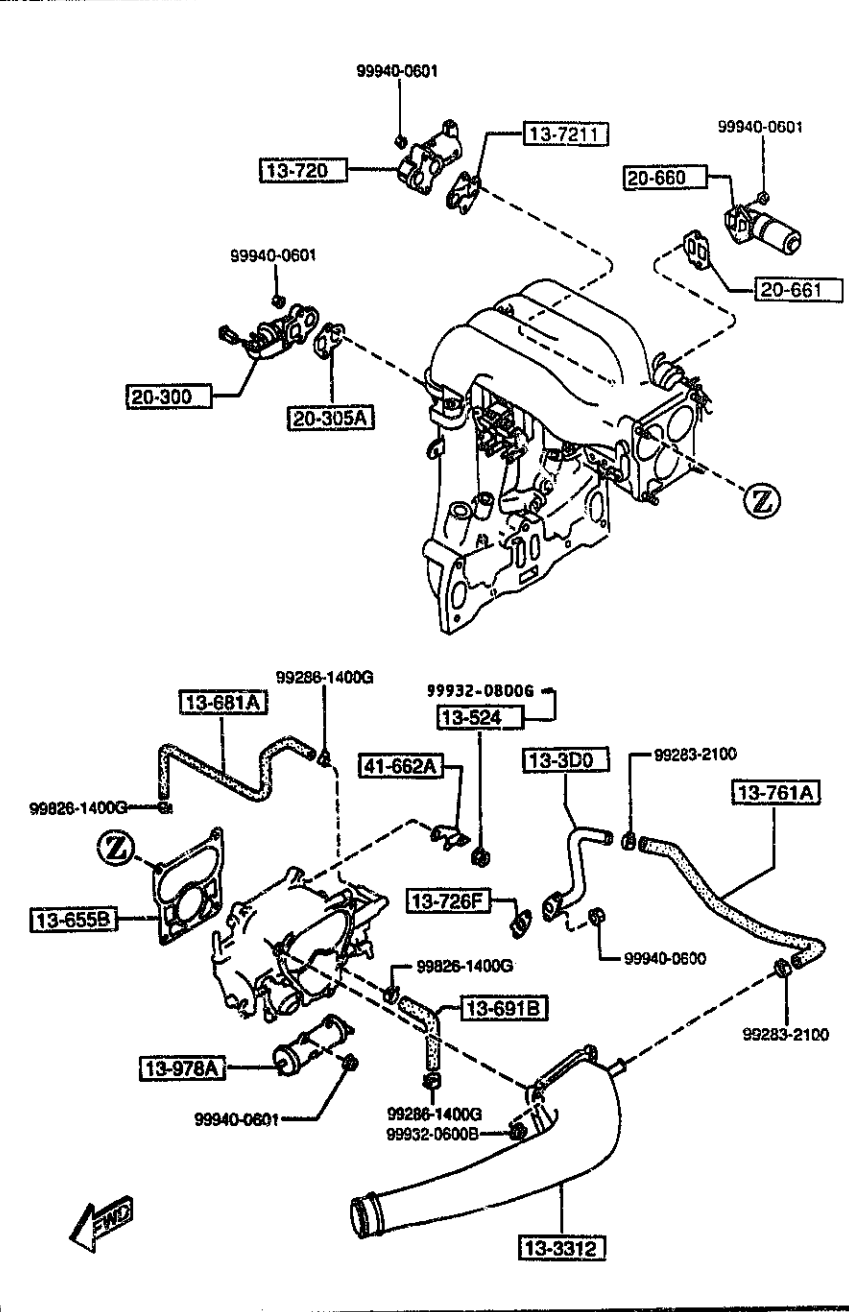
1371 -2 * AIR PUMP & AIR CONTROL VALVE



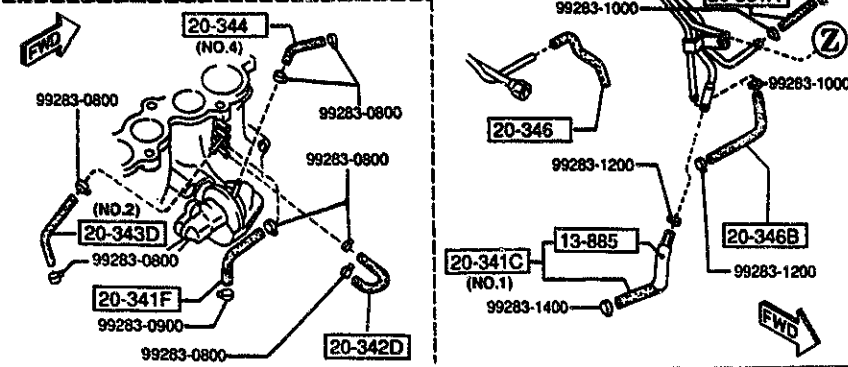
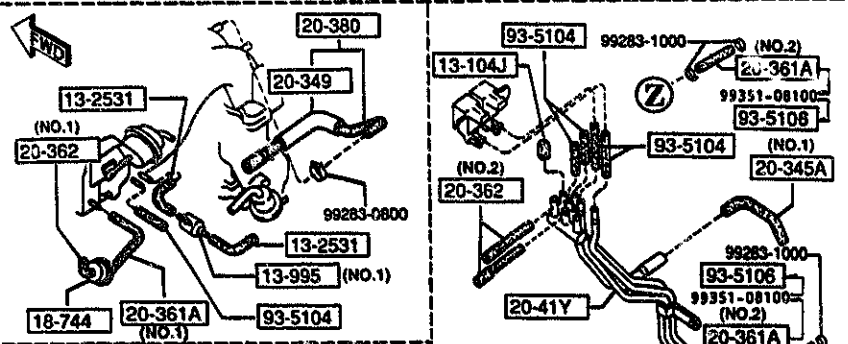
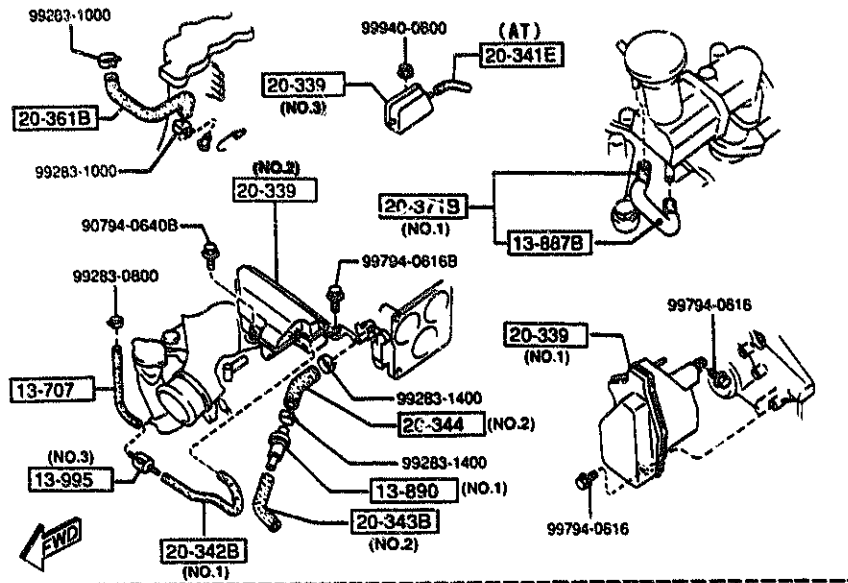
PART NO.	QTY	MODEL/RESTRICTION	MODEL/RESTRICTION	MODEL/RESTRICTION	FROM-TO
CONT'D					
N250-20-725	1	(ILLUST. NO.1)			
N304-20-725	1	(ILLUST. NO.2)			



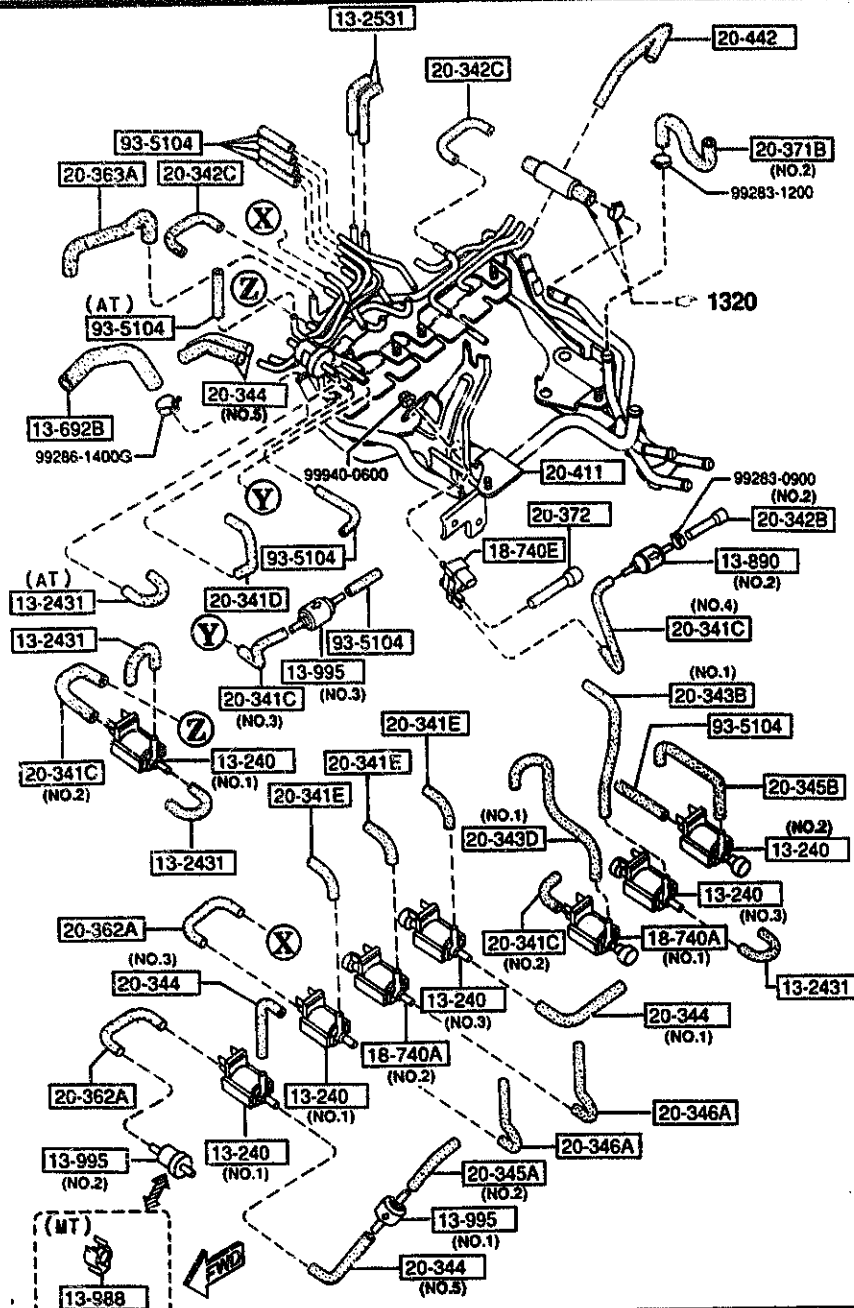
AUFA05



AUFA05



AUFA05



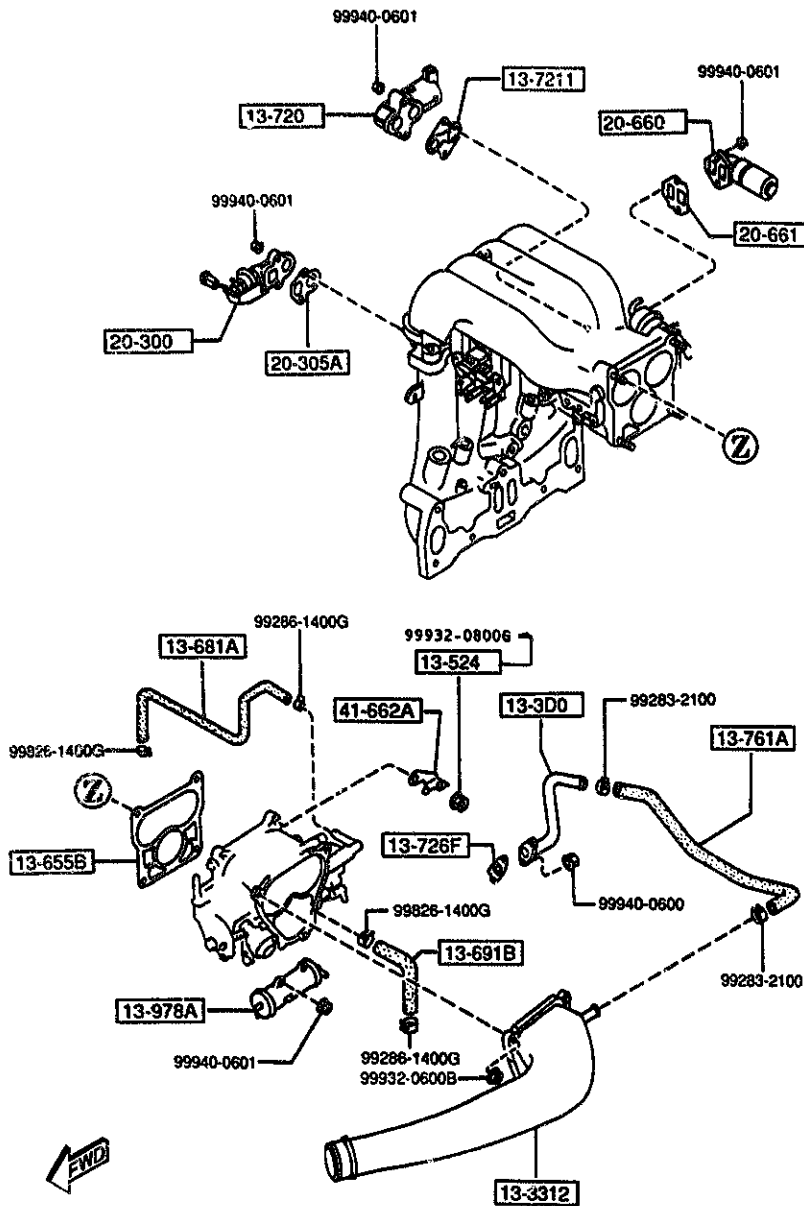
PART NO.	QTY	MODEL/RESTRICTION	MODEL/RESTRICTION	MODEL/RESTRICTION	FROM-TO
13-104J		CAP, BLIND			
1010-13-104	1	(MT)			
13-240		VALVE, SWAY			
1480-13-240A	3	(ILLUST. NO. 1)			
1481-13-240A	1	(ILLUST. NO. 2)			
1482-13-240A	2	(ILLUST. NO. 3)			
13-2431		HOSE, VACUUM			
N318-20-341A	3	(MT)			
N318-20-341A	4	(AT)			
13-2531		HOSE, VACUUM			
N236-13-253A	4				
13-3D0		PIPE, AIR-B.A.C.V. &A. I.H.			
N3A1-13-3D0A	1				
13-3312		PIPE, AIR INTAKE			
N3C1-13-330	1				
13-524		NUT			
NF01-13-524	4				
13-655B		GASKET, THROTTLE BODY			
N3A1-13-655	1				
13-681A		HOSE, WATER			
N3A1-13-681	1				
13-691B		HOSE, WATER			
N3A1-13-691	1				
13-692B		HOSE, WATER			
N3A1-13-692A	1				
13-707		HOSE, AIR			
N350-13-B96	1				
13-720		VALVE, SOL.-AIR BLEED EXTE			
3901 FD333*-300438					

-3901

AUFA05

CAT. AUFA05-03

1995-03

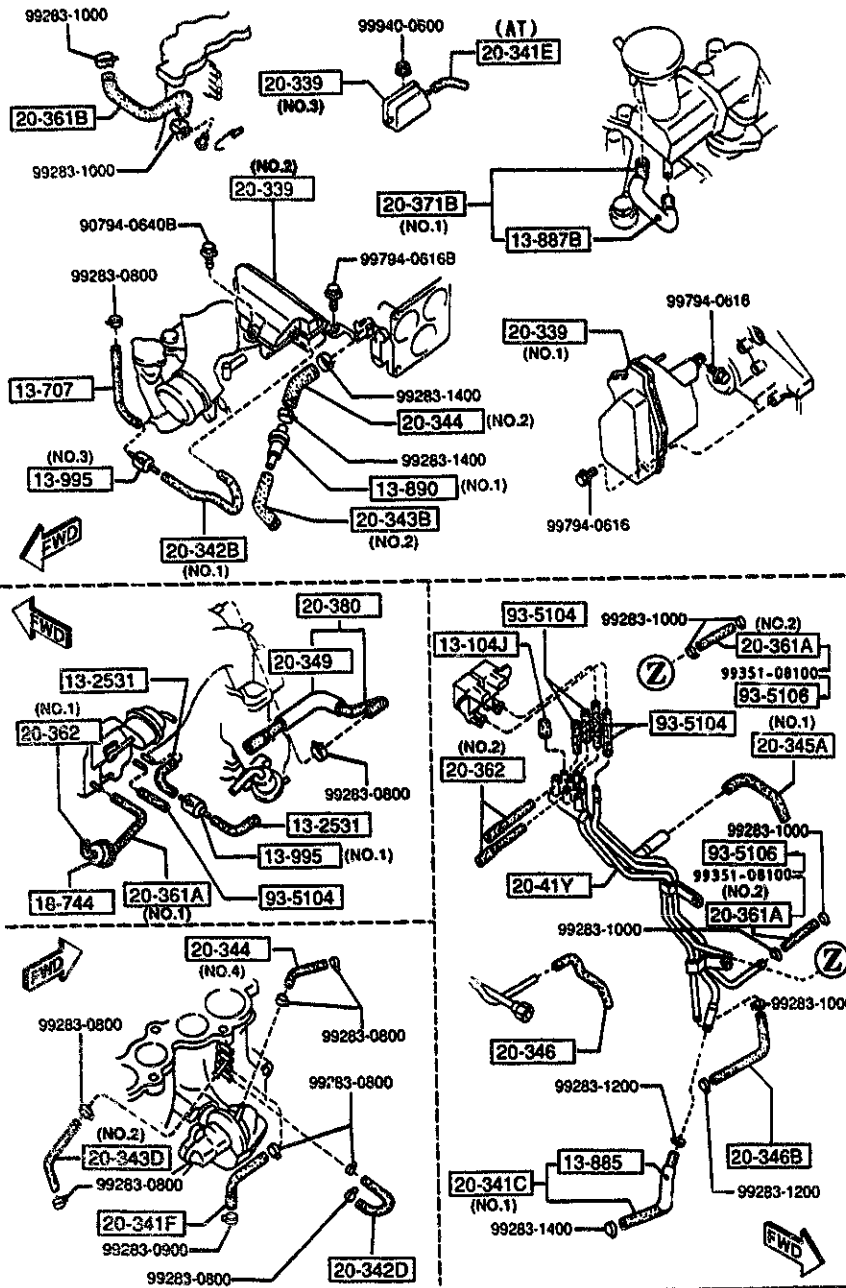


PART NO.	QTY	MODEL/RESTRICTION	MODEL/RESTRICTION	MODEL/RESTRICTION	FROM TO
CONT'D					
NSA1-13-720	1				
13-7211		GASKET			
NSA1-13-721	1				
13-726F		GASKET, SOLENOID VALVE			
NSA1-13-726	1				
13-761A		HOSE, AIR			
NSA1-13-761A	1				
13-885		PROTECTOR, SPONGE			
NSA3-13-885	1				
13-887B		PROTECTOR, SPONGE			
NSA2-13-887A	1				-3901
13-890		VALVE, P.C.V.			
NF01-13-890	1	(ILLUST. NO.1)			
NSA1-13-890	1	(ILLUST. NO.2)			
13-978A		TANK, CATCH			
NSA1-13-978	1				
13-988		FILTER, AIR			
NF01-13-988A	1	(MT)			
13-995		VALVE, CHECK			
HE41-13-995	2	(ILLUST. NO.1)			
NSA1-13-995	1	(ILLUST. NO.2) (AT)			
N390-13-995A	2	(ILLUST. NO.3)			
18-740A		VALVE, SOLENOID			
NSA7-18-741	1	(ILLUST. NO.1)			
N390-18-741	1	(ILLUST. NO.2)			
18-740E		VALVE, SOLENOID			
F285-18-741	1	MITSUBISHI			

3901 FD333*-300438

1380 EMISSION CONTROL SYSTEM

(3/3)



PART NO.	QTY	MODEL/RESTRICTION	MODEL/RESTRICTION	MODEL/RESTRICTION	FROM-TO
18-744		FILTER, AIR			
SSA1-18-744	1				
20-300		VALVE, E. G. R.			
N3A3-20-300	1				
20-305A		GASKET, E. G. R. VALVE			
N3A1-20-305A	1				
20-339		CHAMBER, VACUUM			
N3C1-20-339	1	(ILLUST. NO. 1)			
N3C2-20-339	1	(ILLUST. NO. 2)			
N3C3-20-339	1	(ILLUST. NO. 3) (AT)			
20-341C		TUBE, VACUUM			
N3A5-20-340	1	(ILLUST. NO. 1)			
NF01-20-341	2	(ILLUST. NO. 2)			
N3A4-20-341	1	(ILLUST. NO. 3)			
N3A5-20-341	1	(ILLUST. NO. 4)			
20-341D		TUBE, VACUUM			
N3A1-20-341	1				
20-341E		TUBE, VACUUM			
N3A2-20-341A	3	(MT)			
N3A2-20-341A	4	(AT)			
20-341F		TUBE, VACUUM			
N3A3-20-341A	1				
20-342B		TUBE, VACUUM			
N3A1-20-342	1	(ILLUST. NO. 1)			
N3A5-20-342	1	(ILLUST. NO. 2)			
20-342C		TUBE, VACUUM			
N3A2-20-342	2				
20-342D		TUBE, VACUUM			
N3A3-20-342	1				

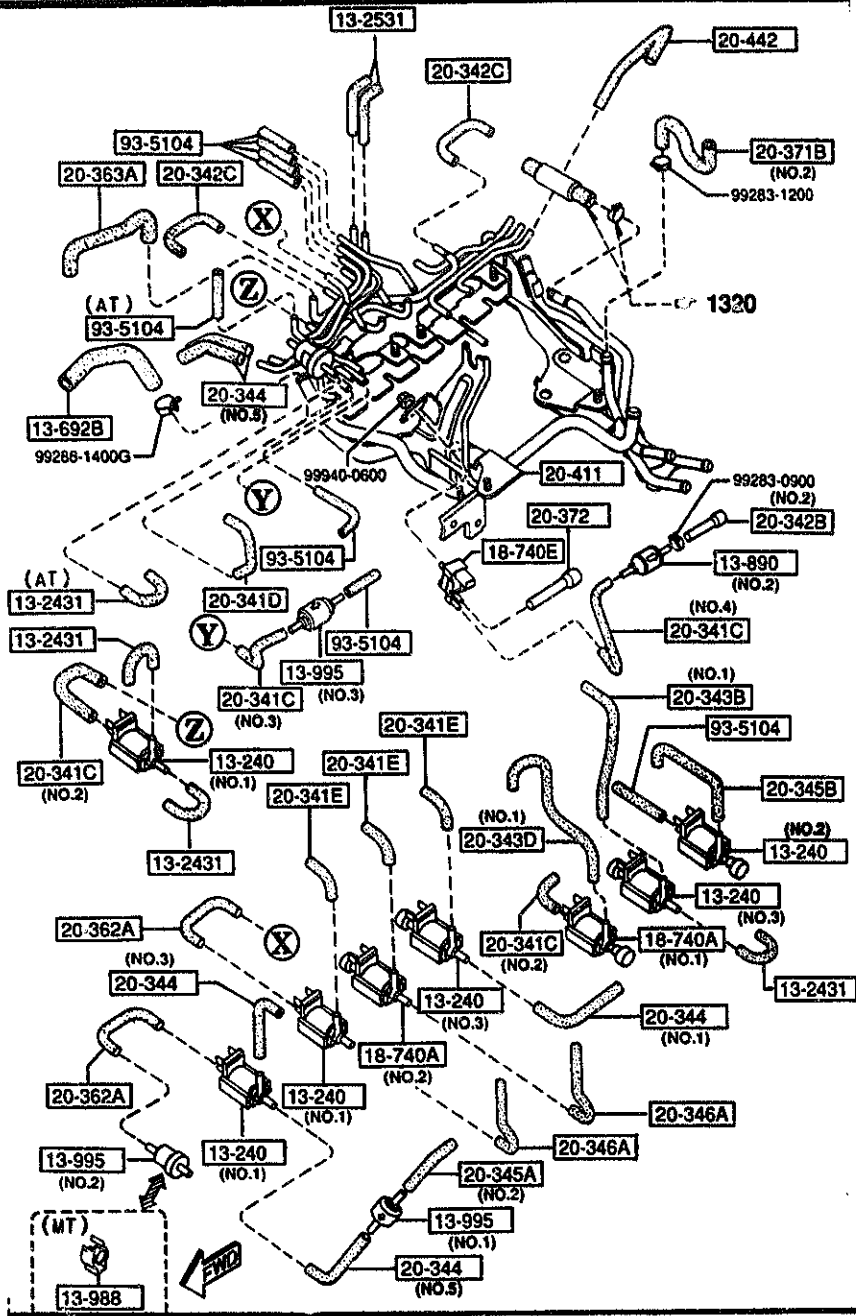
AUFA05

CAT. AUFA05-03

1995-03

1380 EMISSION CONTROL SYSTEM

(1/3)



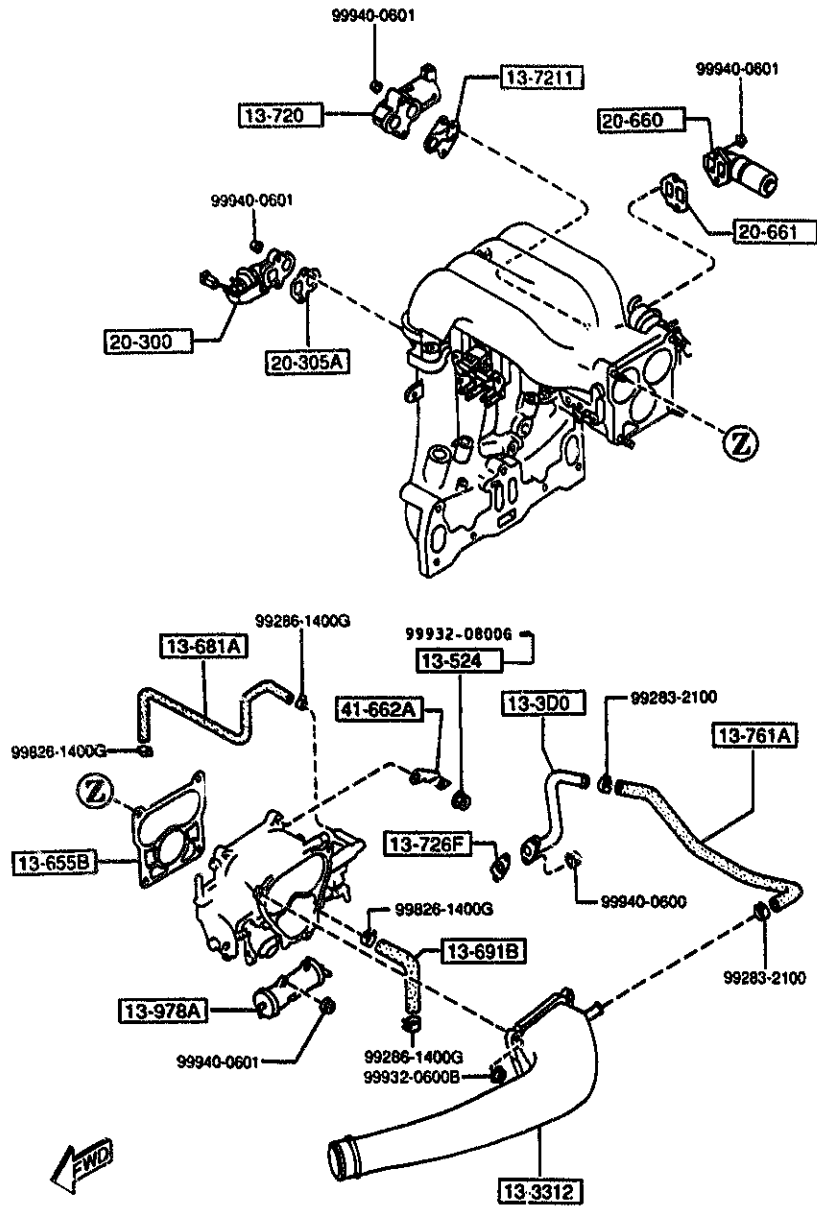
PART NO.	QTY	MODEL/RESTRICTION	MODEL/RESTRICTION	MODEL/RESTRICTION	FROM-TO
20-345B		TUBE, VACUUM			
NSA1-20-345A	1	(ILLUST. NO. 1)			
NSA4-20-345	1	(ILLUST. NO. 2)			
20-343D		TUBE, VACUUM			
NSA2-20-343B	1	(ILLUST. NO. 1)			
NSA3-20-343A	1	(ILLUST. NO. 2)			
20-344		TUBE, VACUUM			
FE4J-20-344	1	(ILLUST. NO. 1)			
NSA1-20-344A	1	(ILLUST. NO. 2)			
NSA2-20-344A	1	(ILLUST. NO. 3) (AT)			
NSA3-20-344	1	(ILLUST. NO. 4)			
NSA4-20-344	3	(ILLUST. NO. 5)			
20-345A		TUBE, VACUUM			
NSA1-20-345	1	(ILLUST. NO. 1)			
NSA4-20-345	1	(ILLUST. NO. 2)			
20-345B		TUBE, VACUUM			
NSA2-20-345A	1				
20-346		TUBE, VACUUM			
NSA1-20-346	1				
20-346A		TUBE, VACUUM			
NSA2-20-346	2				
20-346B		TUBE, VACUUM			
NSA3-20-346A	1				
20-349		PROTECTOR, VACUUM PIPE			
NSA1-20-348	1				
20-361A		TUBE, VACUUM			
NSA1-20-361A	1	(ILLUST. NO. 1)			
NSA4-20-361	2	(ILLUST. NO. 2)			
3B15 FD333*-301312					

-3B15

AUFA05

CAT. AUFA05-03

1995-03



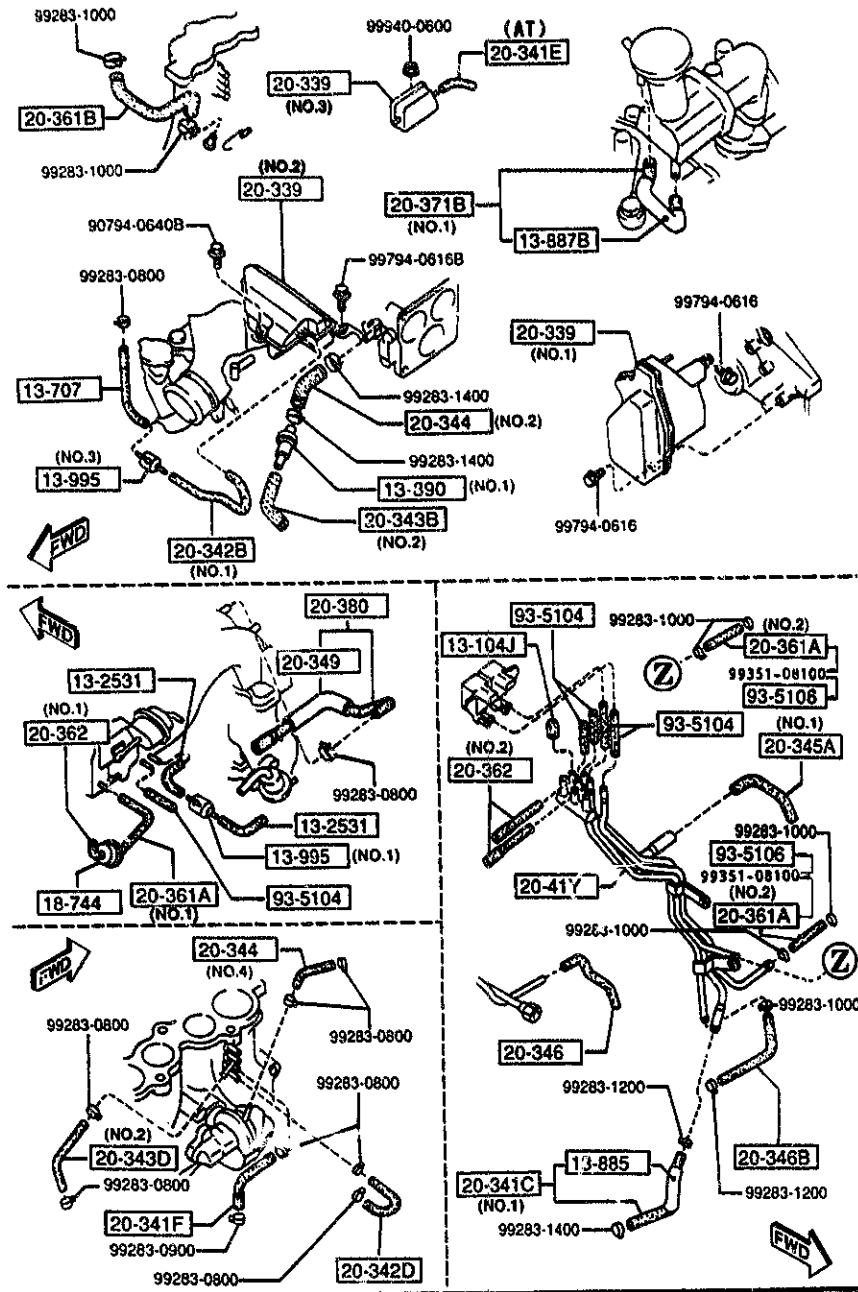
PART NO.	QTY	MODEL/RESTRICTION	MODEL/RESTRICTION	MODEL/RESTRICTION	FROM-TO
20-361B NSA2-20-361A	1	TUBE, VACUUM			
20-362 NSA1-20-362 NSA4-20-362	1 2	TUBE, VACUUM (ILLUST. NO.1) (ILLUST. NO.2)			
20-362A NSA2-20-362	2	TUBE, VACUUM			
20-363A NSA2-20-363	1	TUBE, VACUUM			
20-371B NSA1-20-371 NSA2-20-370A NSA2-20-371A	1 1 1	TUBE, VACUUM (ILLUST. NO.2) (ILLUST. NO.1) (ILLUST. NO.1)			-3901 3901-
20-372 NSA1-20-372A	1	TUBE, VACUUM			
20-380 NSA1-20-380	1	TUBE, VACUUM			
20-41Y NSA1-20-41YA	1	PIPE, AIR-VALVE ACTUATOR			
20-411 NSA1-20-410C	1	PIPE, VACUUM			
20-442 J501-20-442	1	TUBE, VACUUM			
20-660 NSA1-20-660	1	VALVE, IDLE AIR CONTROL			
20-661 NSA1-20-661	1	GASKET, B.A.C. VALVE			
41-662A		BRACKET, ACCEL CABLE			
3901 FD333*-300438					

CAT. AUFA05-03

1995-03

1380 EMISSION CONTROL SYSTEM

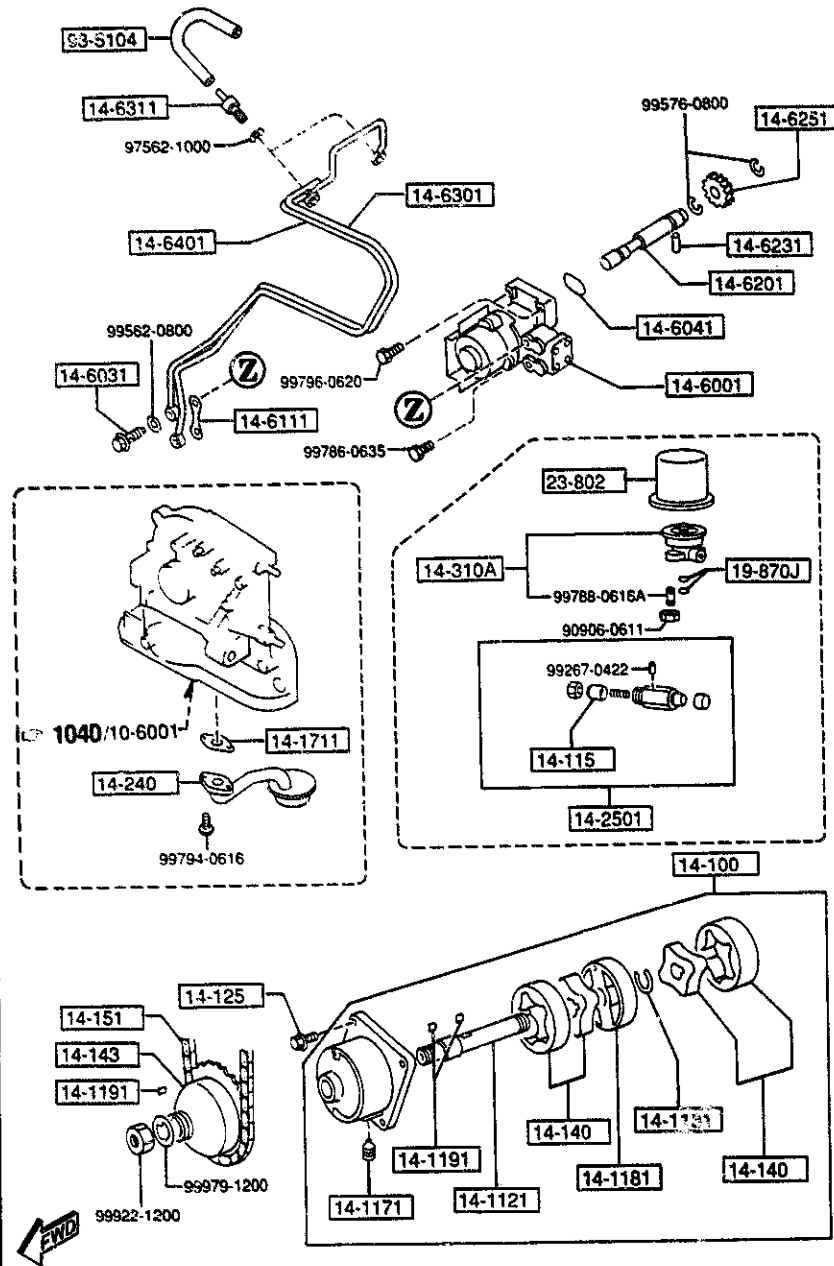
(3/3)



PART NO.	QTY	MODEL/RESTRICTION	MODEL/RESTRICTION	MODEL/RESTRICTION	FROM TO
CONT'D FD01-41-662B	1				
↑-----↑ 93-5104 ↓-----↓		HOSE			
99351-04999	2				
↑-----↑ 93-5106 ↓-----↓		HOSE			
99351-06999	1				3B23-

3B23 FD333X-301403

1400 OIL PUMP & FILTER



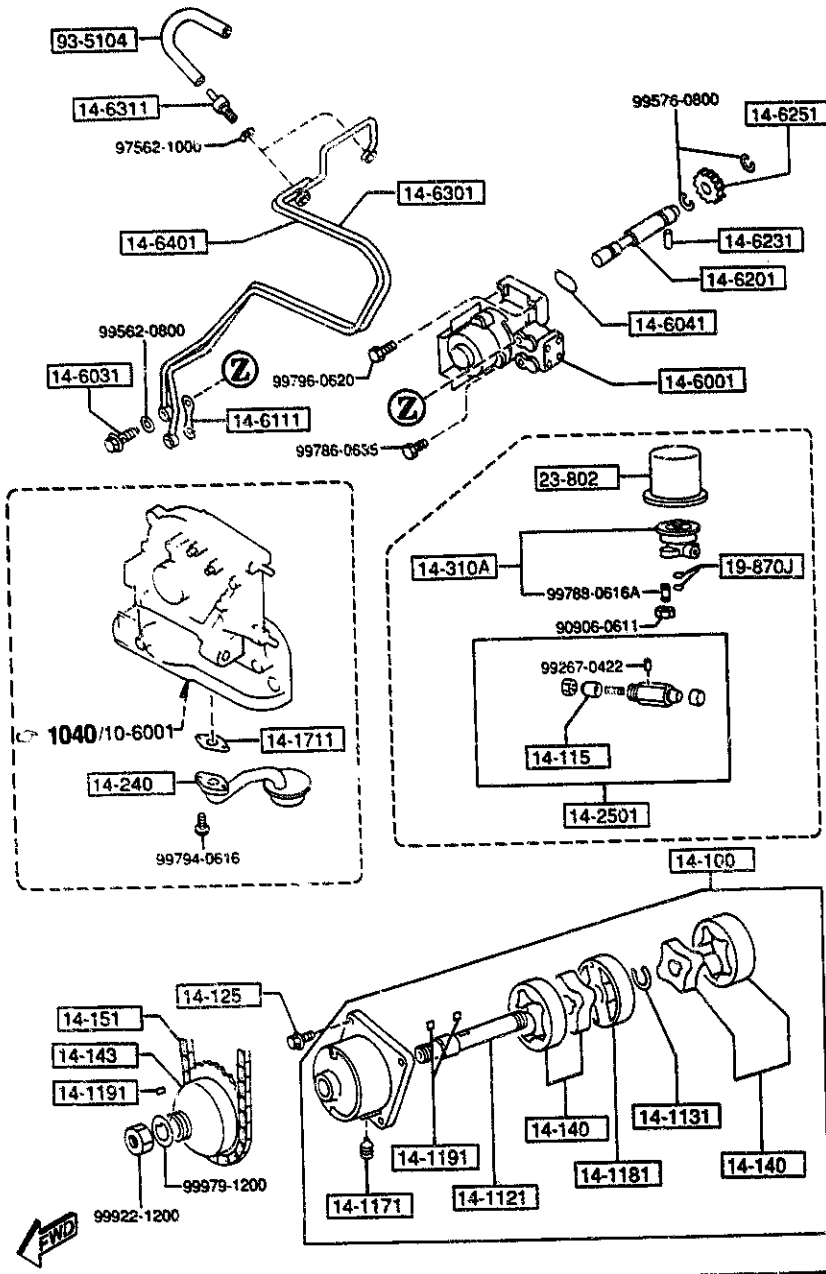
PART NO.	QTY	MODEL/RESTRICTION	MODEL/RESTRICTION	MODEL/RESTRICTION	FORM
14-100		PUMP,OIL			
NF01-14-100	1				
14-1121		SHAFT,OIL PUMP			
N326-14-131	1				
14-1131		RING,SNAP			
0810-14-113	1				
14-115		PLUNGER,CONTROL			
0221-14-115	1				
14-1171		BOLT,LOCK			
N326-14-117	1				
14-1181		PLATE,MIDDLE			
NF01-14-135	1				
14-1191		KEY			
0839-14-119B	3				
14-125		BOLT,SET			
8553-14-125	4				
14-140		ROTOR			
N318-14-140	2				
14-143		WHEEL,SPROCKET			
N326-14-143	1				
14-151		CHAIN,OIL PUMP			
N326-14-151	1				
14-1711		GASKET,OIL STRAINER NON ASBESTOS			
N386-14-248	1				
14-240		STRAINER,OIL			
N3A1-14-240A	1				
14-2501		REGULATOR,PRESSURE			

AUFACE

CAT. AUF#65-83

1995-03

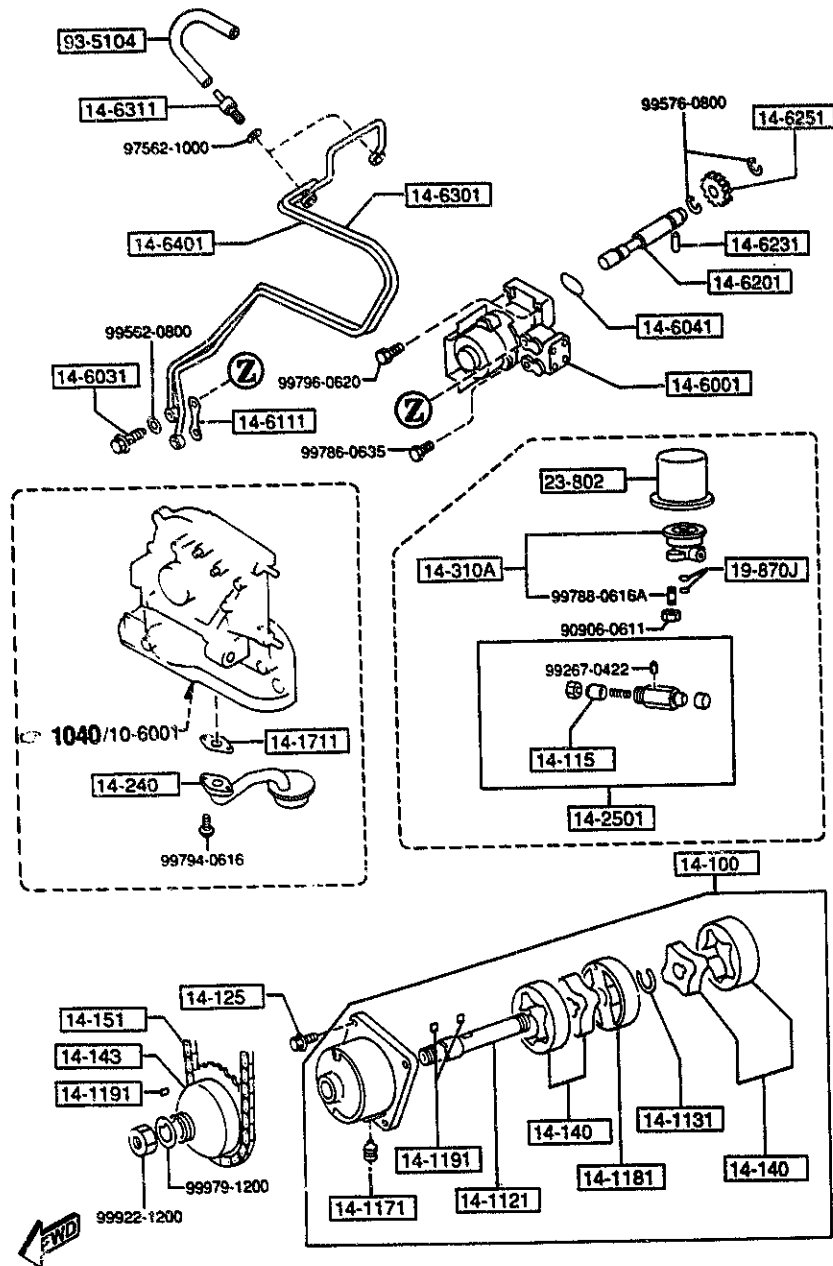
1400 OIL PUMP & FILTER



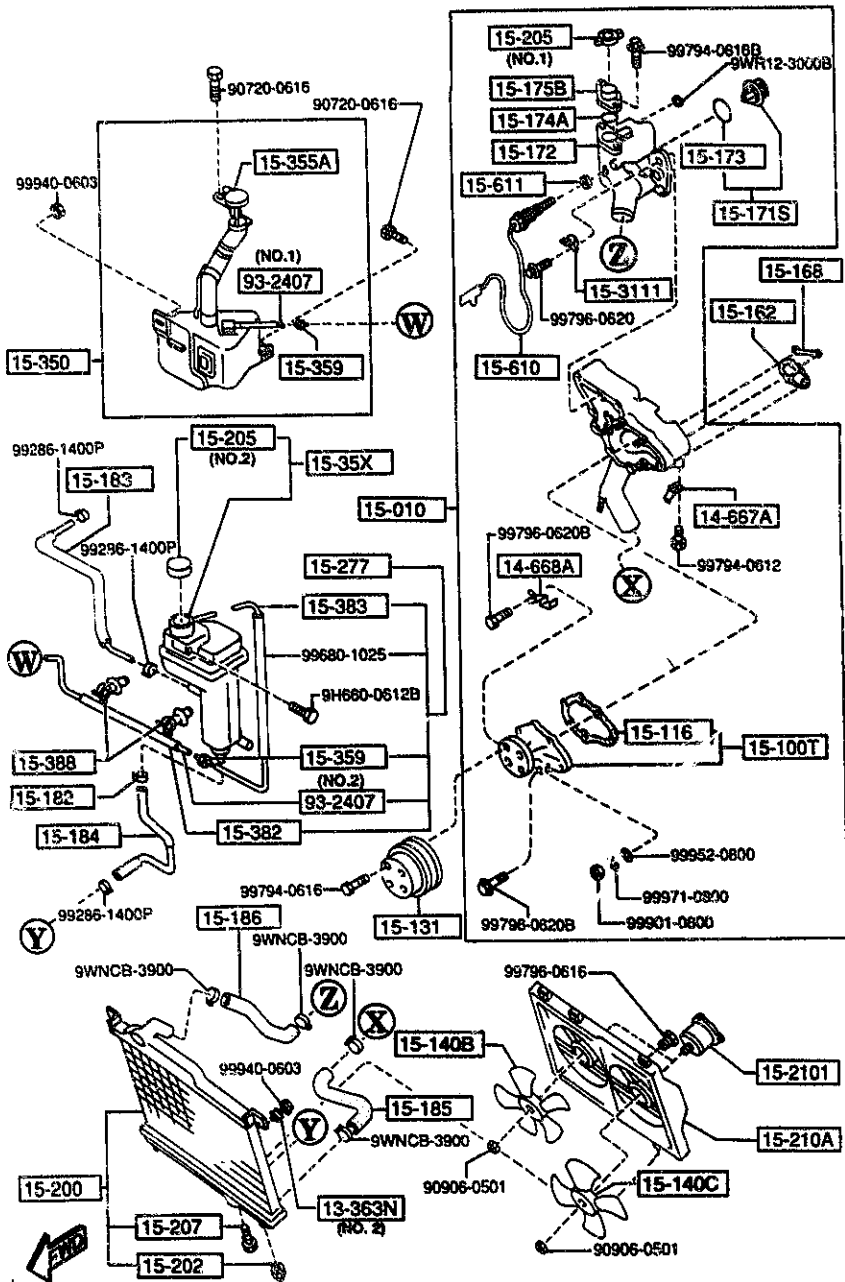
PART NO.	QTY	MODEL / RESTRICTION	MODEL / RESTRICTION	MODEL / RESTRICTION	FROM - I.
CONT'D					
N3A1-14-230	1				
----- 14-310A -----		BODY, OIL FILTER			
N3A1-14-310A	1				
----- 14-6001 -----		PUMP, METERING OIL			
N3A2-14-600	1				
----- 14-6031 -----		BOLT, CONNECTOR			
N236-14-603B	2				
----- 14-6041 -----		RING, 'O'			
N350-14-604	1				
----- 14-6111 -----		GASKET, METERING OIL			
N390-14-602	1				
----- 14-6201 -----		SHAFT, DRIVEN GEAR			
N350-14-620	1				
----- 14-6231 -----		PIN, DRIVEN GEAR			
0813-14-623	1				
----- 14-6251 -----		GEAR, DRIVEN			
0820-14-625A	1				
----- 14-6301 -----		TUBE, METERING OIL			
N3A1-14-660	1				-3A01
N3A1-14-660A	1				3A01-
----- 14-6311 -----		BOLT, CONNECTOR			
N318-14-631	2				
----- 14-6401 -----		TUBE, METERING OIL			
N3A1-14-670	1				-3A01
N3A1-14-670A	1				3A01-
----- 19-870J -----		RING, 'O'			
99541-01601	2				

3A01 FD333*-300888

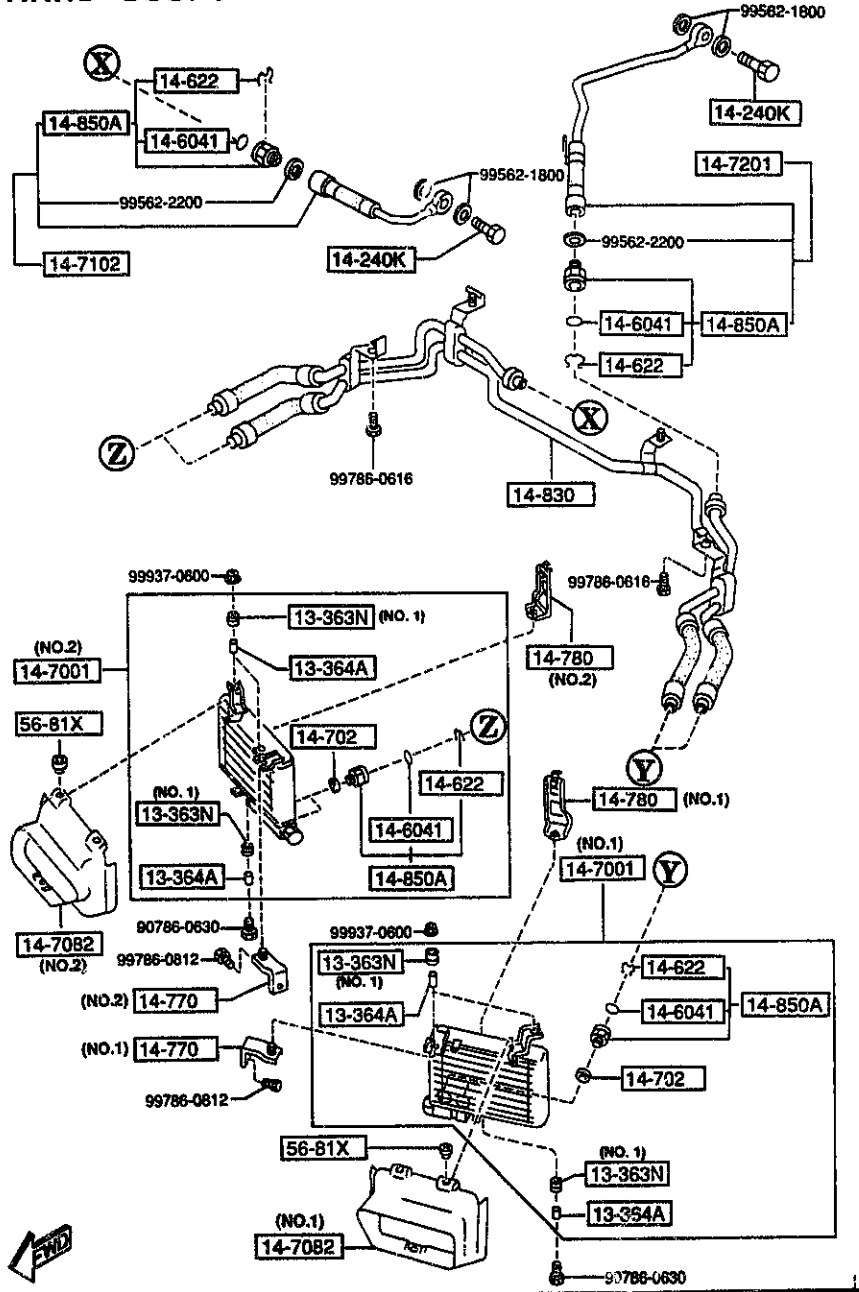
1400 OIL PUMP & FILTER



PART NO.	QTY	MODEL/RESTRICTION	MODEL/RESTRICTION	MODEL/RESTRICTION	FROM-TO
23-802 B6Y1-14-302	1	CARTRIDGE,OIL FILTER TOKYO ROKI			
93-5104 99351-04999	1	HOSE			



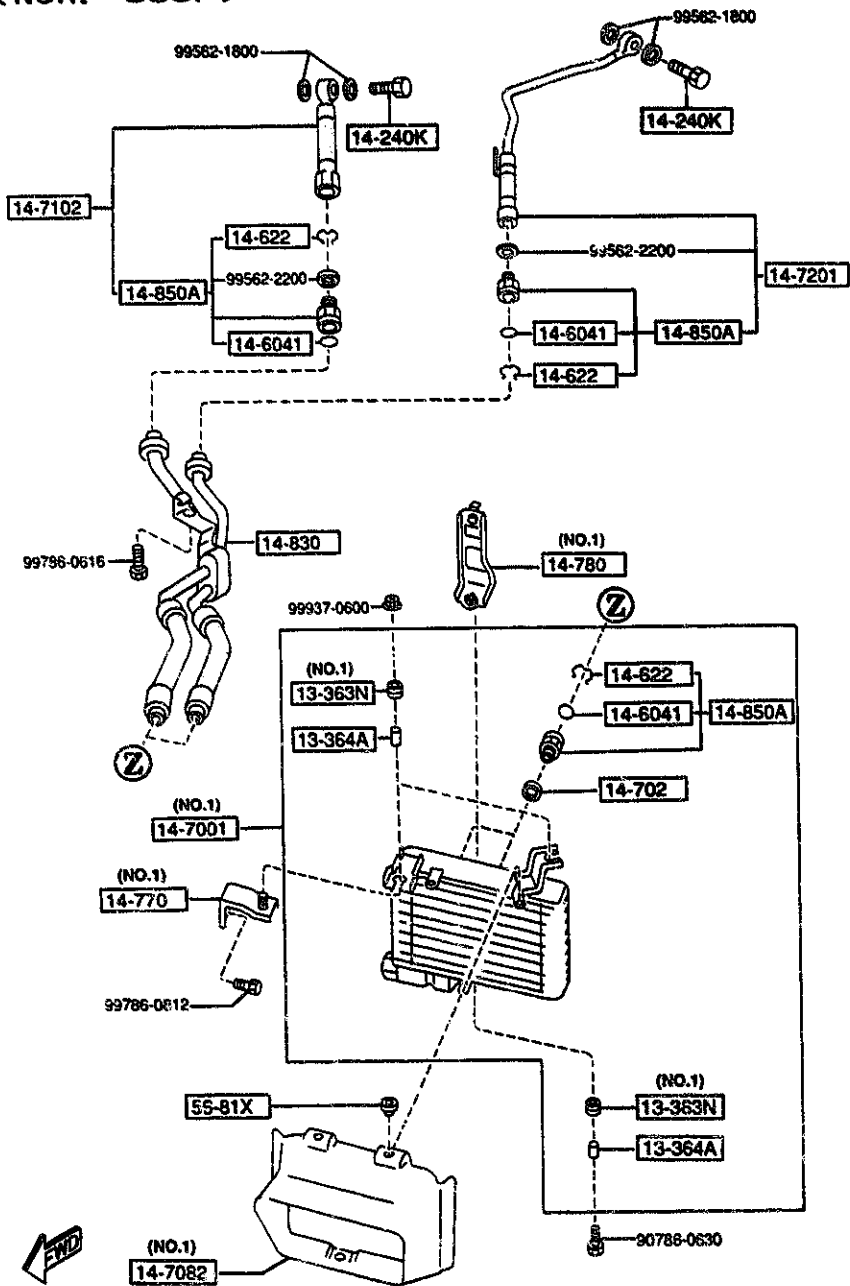
AUFA05



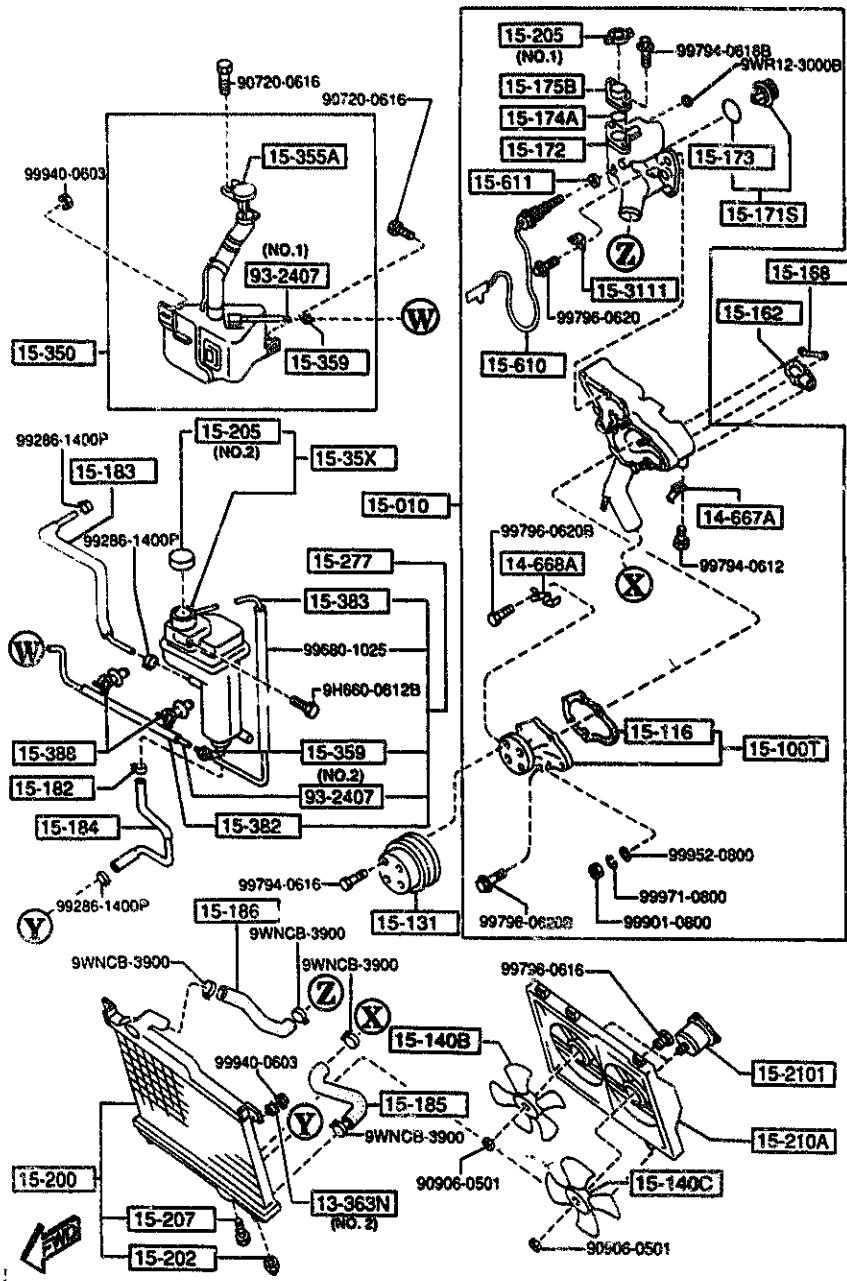
AUFA05

1500 COOLING SYSTEM
(NOR. SUSP)

(3/3)



AWD
AUFA05



PART NO.	QTY	MODEL/RESTRICTION	MODEL/RESTRICTION	MODFL/RESTRICTION	FROM-TO
13-363N		RUBBER, MOUNTING			
NF01-13-363	3	(ILLUST. NO.1) (NOR. SUSP)			
NF01-13-363	6	(ILLUST. NO.1) (HARD SUSP)			
0222-13-363	2	(ILLUST. NO.2)			
13-364A		SPACER			
NF01-13-364	3	(NOR. SUSP)			
NF01-13-364	6	(HARD SUSP)			
14-240K		BOLT, CONNECTOR			
#99381-1400	2				
14-6041		RING, 'O'			
NSA1-14-604	4	(NOR. SUSP)			
NSA1-14-604	6	(HARD SUSP)			
14-622		STOPPER, CONNECTOR			
NSA1-14-622	4	(NOR. SUSP)			
NSA1-14-622	6	(HARD SUSP)			
14-667A		CLIP, OIL TUBE			
NSA1-14-667 A (NSA1-14-667A)	1				-3A01
NSA1-14-667A	1				3A01-
14-668A		CLIP, M. OIL TUBE			
NSA1-14-668 A (NSA1-14-668A)	1				-3A01
NSA1-14-668A	1				3A01-
14-7001		COOLER, OIL			
K3A1-14-700	1	(ILLUST. NO.1)			
NSA3-14-700	1	(ILLUST. NO.2) (HARD SUSP)			
14-702		GASKET			
NSA1-14-702	2	(NOR. SUSP)			
NSA1-14-702	4	(HARD SUSP)			

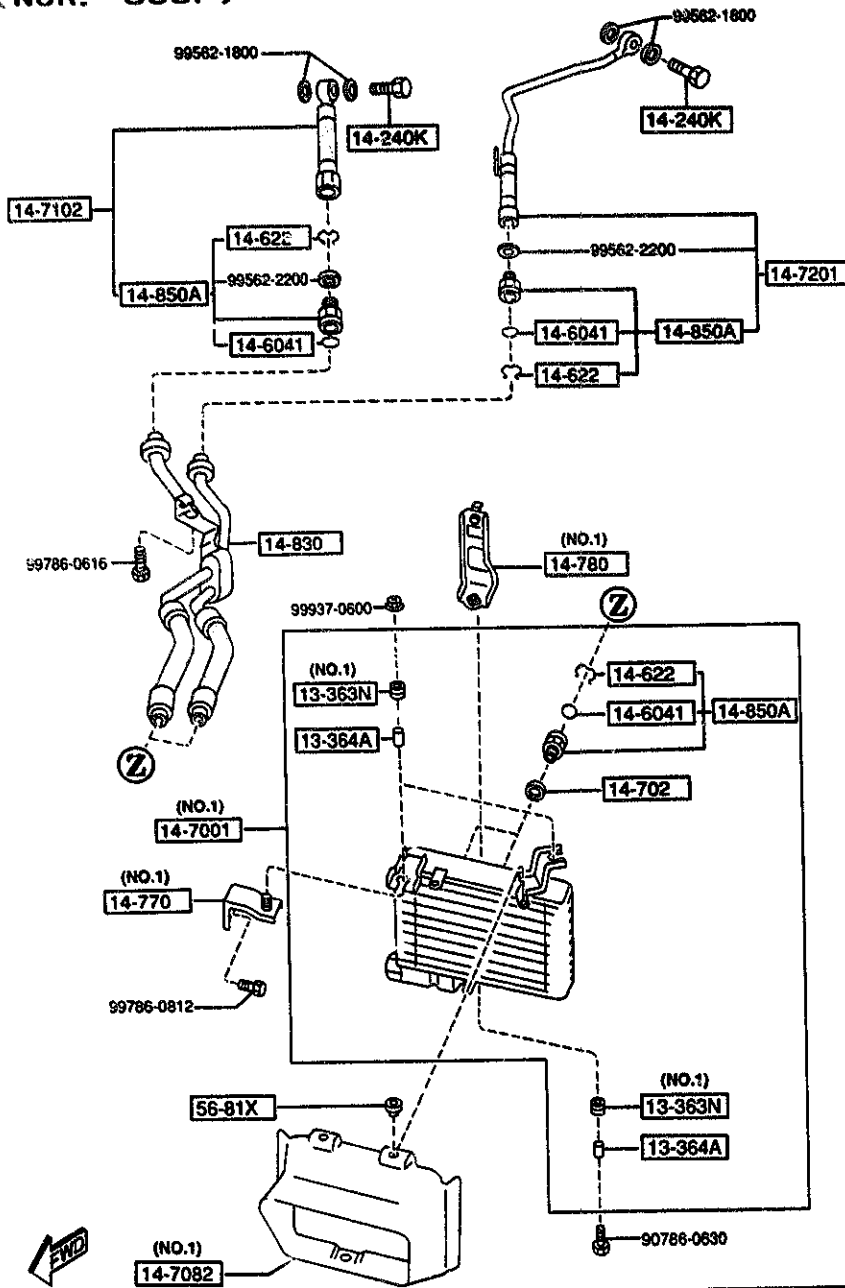
3A01 FD333*-300888

AUFA05

CAT. AUFA05-03

1995-03

1500 COOLING SYSTEM
(NOR. SUSP)

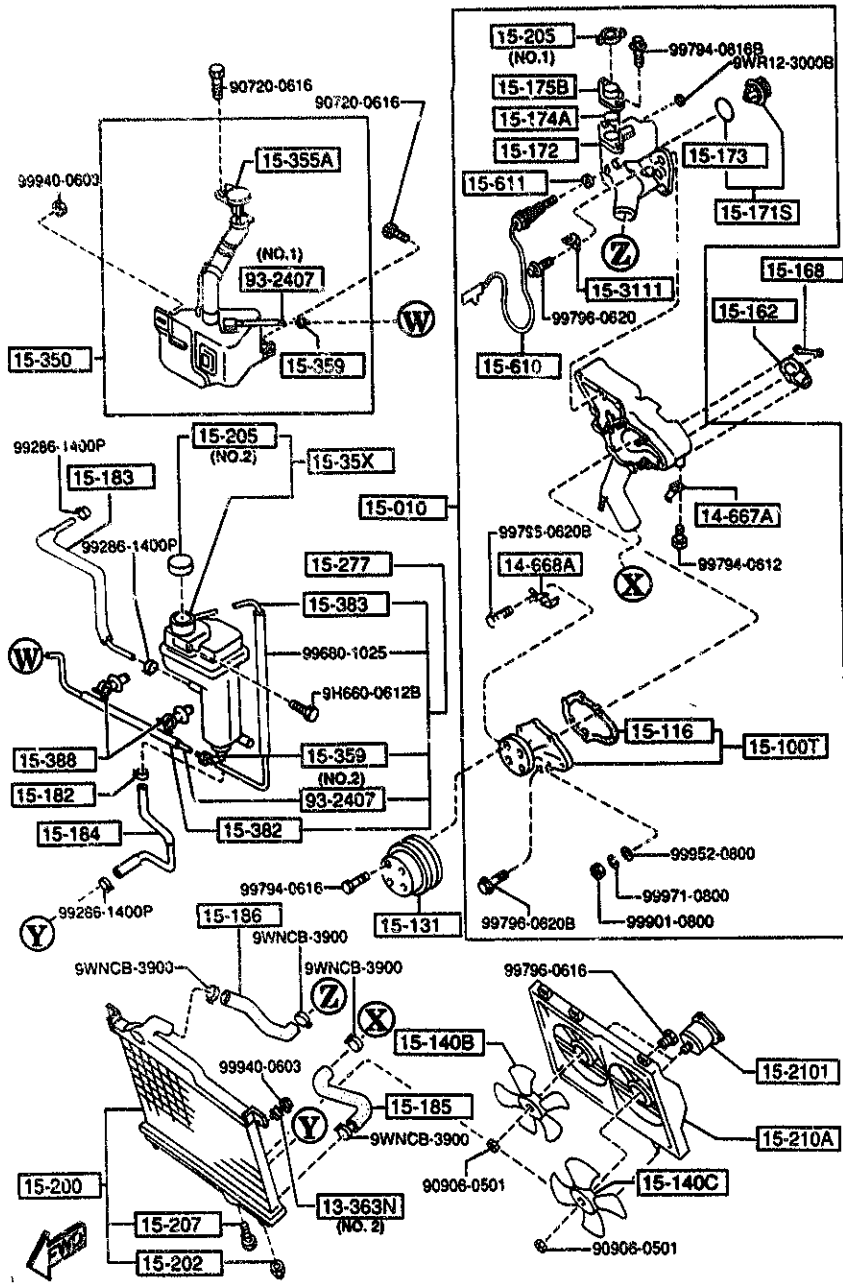


PART NO.	QTY	MODEL/RESTRICTION	MODEL/RESTRICTION	MODEL/RESTRICTION	FROM-TO
CONT'D					
A (NSC2-15-010C)					
NSC1-15-010C	1				4113-4216
A (NSC1-15-010D)					
NSC2-15-010C	1				4113-4216
A (NSC2-15-010D)					
NSC1-15-010D	1	(MT)			4216-
NSC2-15-010D	1	(AT)			4216-
↑-----↑					
15-100T		HOUSING SET, BRG WATER PUMP			
↓-----↓					
8AF4-15-100	1				-3C15
A (8AF4-15-100A)					
8AF4-15-100A	1				3C15-
↑-----↑					
15-116		GASKET, WATER PUMP			
↓-----↓					
NSA1-15-116	1				
↑-----↑					
15-131		PULLEY, WATER PUMP			
↓-----↓					
NSA1-15-131	1				
↑-----↑					
15-140B		FAN(R), COOLING			
↓-----↓					
MNSA2-15-140	1				
↑-----↑					
15-140C		FAN(L), COOLING			
↓-----↓					
MNSA1-15-140	1				
↑-----↑					
15-162		GASKET			
↓-----↓					
NS86-15-162	1	NON ASBESTOS			
↑-----↑					
15-168		SHIM, WATER PIPE BRACKET			
↓-----↓					
NSA1-15-168	1				
↑-----↑					
15-171S		THERMOSTAT SET			
↓-----↓					
8AF6-15-171	1				
↑-----↑					
15-172		COVER, THERMOSTAT			
↓-----↓					
NSA1-15-172	1	(MT)			
NSA2-15-172	1	(AT)			
↑-----↑					
15-173		GASKET, THERMOSTAT COVER			
↓-----↓					
NSC1-15-173	1				

3C15 FD333*-301612
4113 FD333*-301899
4216 FD333*-302529

1500 COOLING SYSTEM

(1/3)



PART NO.	QTY	MODEL/RESTRICTION	MODEL/RESTRICTION	MODEL/RESTRICTION	FROM TO
15-174A		RING			
N326-15-174	1				
15-175B		BODY, FILLER CAP			
N323-15-175	1				-4216
N3C1-15-175	1				4216-
15-182		CLAMP, WATER HOSE			
N3A1-15-182A	1				
15-183		HOSE, WATER			
N3A1-15-183A	1				-3C10
N3A1-15-183A	1				3C10-
15-184		HOSE, WATER			
N3A1-15-184A	1				
15-185		HOSE, WATER			
N3A1-15-185A	1				
15-186		HOSE, WATER			
N3A1-15-186A	1				-3C10
N3A1-15-186A	1				3C10-
15-200		RADIATOR			
N3A1-15-200A	1	(MT)			
N3A2-15-200A	1	(AT)			
15-202		RUBBER, MOUNT			
JE48-15-202	2				
15-205		CAP, RADIATOR			
KF01-15-205	1	(ILLUST. NO. 1)			
N3A1-15-205A	1				-4301
N3A1-15-205A	1	(ILLUST. NO. 2)			4301-
15-207		COCK, DRAIN			
NF01-15-203		CALSONIC			

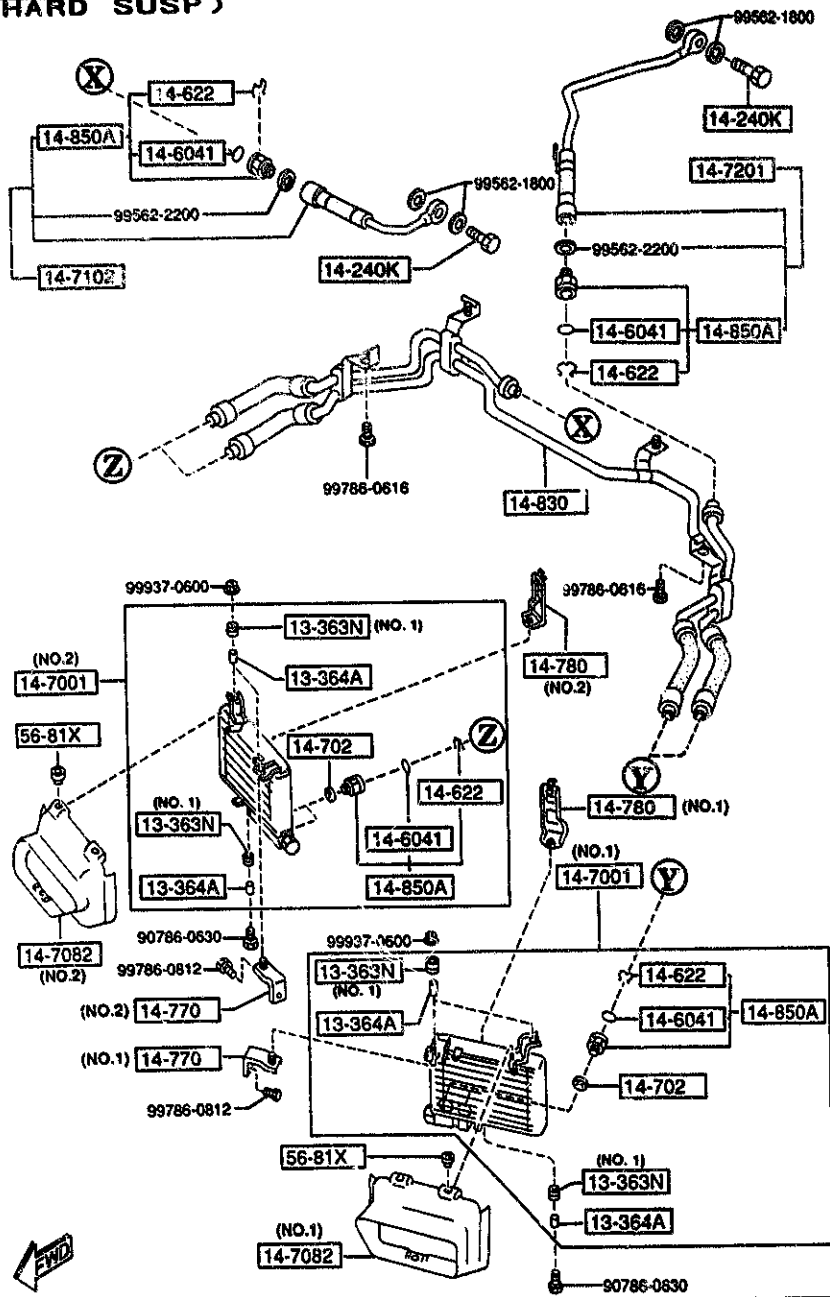
3C10 FD333R-301568
 4216 FD333R-302529
 4301 FD333R-302764

AUFA05

CAT. AUFA05-03

1995-03

1500 COOLING SYSTEM
(HARD SUSP)



PART NO.	QTY	MODEL/RESTRICTION	MODEL/RESTRICTION	MODEL/RESTRICTION	FRONT
CONT'D	1				
15-210A	1	COWLING, RADIATOR			
NSA2-15-211B	1				
15-2101	2	FAN DRIVE			
NSA1-15-150	2				
15-277	1	HOSE, WATER SUB TANK			
NSA1-15-380C	1				
15-3111	1	BRACKET			
NSA1-15-109	1				
15-35X	1	TANK, AIR SEPARATE			-4301
NSA1-15-35XA	1				
A (NSA1-15-35XB)	1				4301-
NSA1-15-35XB	1				
15-350	1	TANK, SUB-RADIATOR			
NSA1-15-350B	1				
15-355A	1	CAP, SUB TANK			
NSA1-15-355	1				
15-359	2	PIPE, JOINT			
NSA1-15-359	2				
15-382	1	PROTECTOR, HOSE-SUB TANK			
F201-15-382	1				
15-383	1	HOSE, SUB TANK			
NSA1-15-383	1				
15-388	2	CLIP, HOSE-SUB T. & WATER H			
F201-15-388A	2				
15-610	1	SENSOR, WATER LEVEL			-4113
NSA1-15-610	1				
A (NSA1-15-610A)	1				4113-
NSA1-15-610A	1				

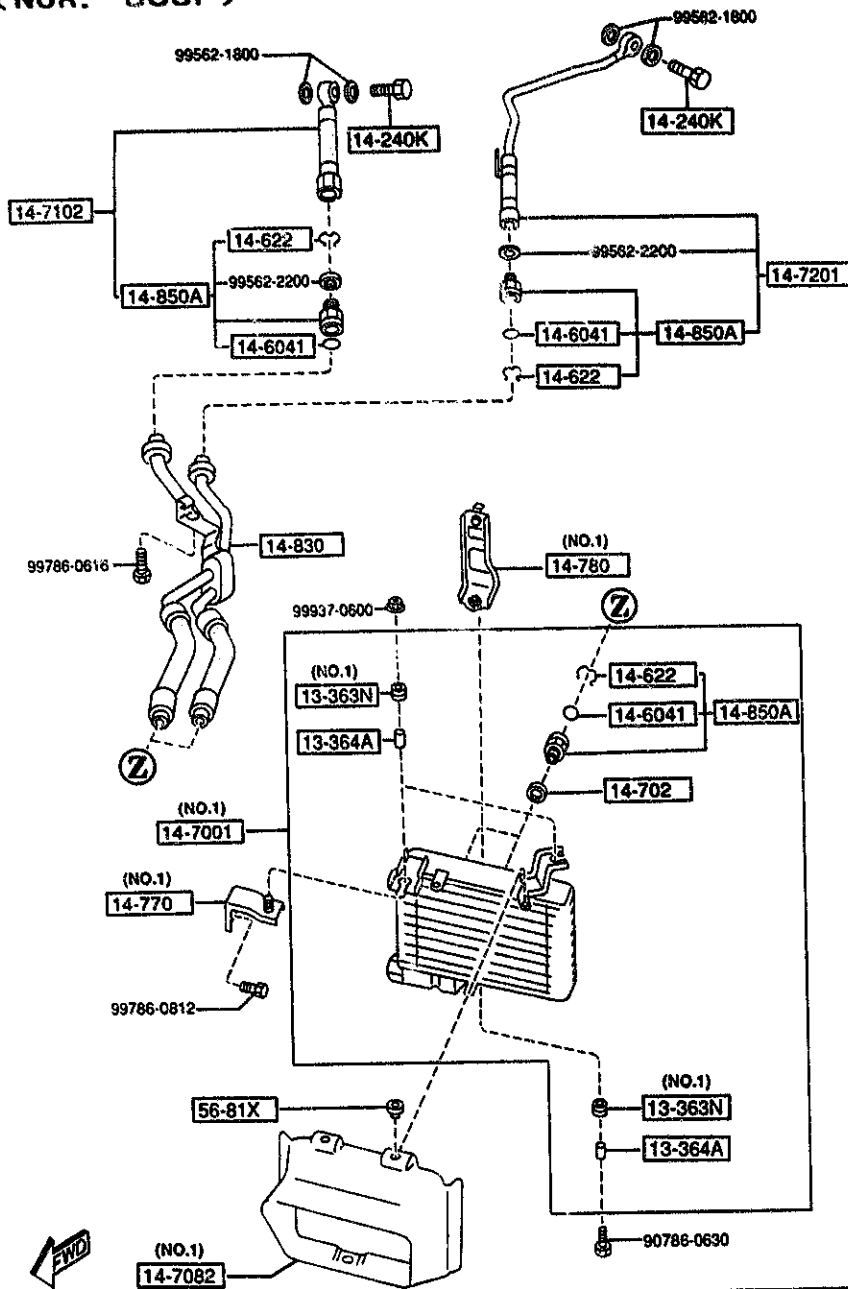
4113 FD333X-301899
4301 FD333X-302764

AUFA05

CAT. AUFA05-03

1995-03

1500 COOLING SYSTEM
(NOR. SUSP)



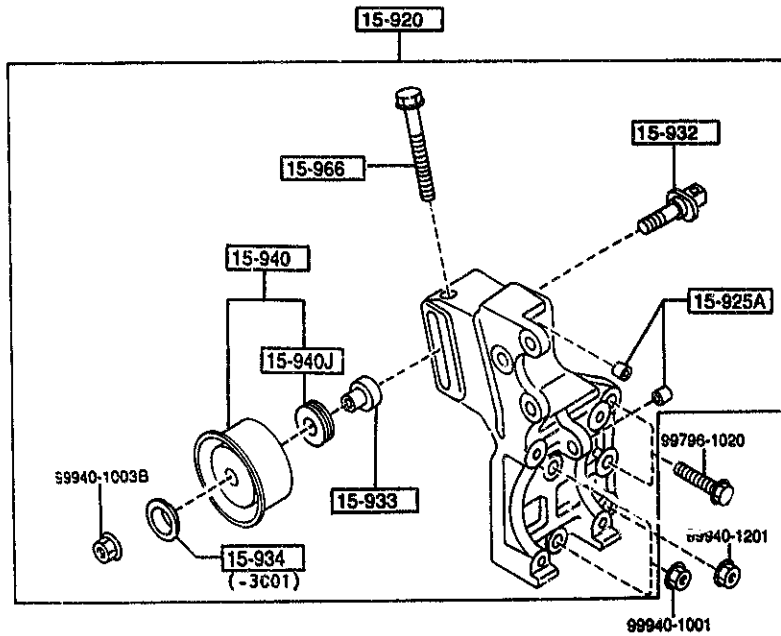
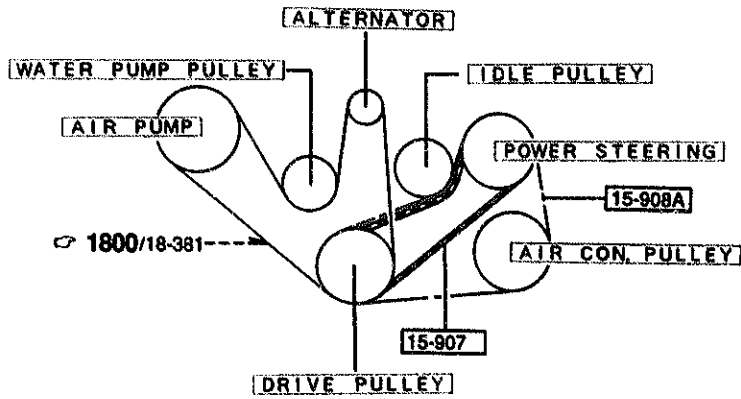
PART NO.	QTY	MODEL/RESTRICTION	MODEL/RESTRICTION	MODEL/RESTRICTION	FROM 15
15-611		GASKET			
8553-15-611	1				
56-81X		FASTENER, DUCT PANEL			
FB01-56-81X	3	(NOR. SUSP)			
FB01-56-81X	6	(HARD SUSP)			
93-2407		HOSE, WATER			
99324-07200	1	(ILLUST. NO. 1)			
99324-07400	1	(ILLUST. NO. 2)			

AUFA05

CAT. AUFA05-03

1995-03

1580 BRACKET, PULLEY & BELT

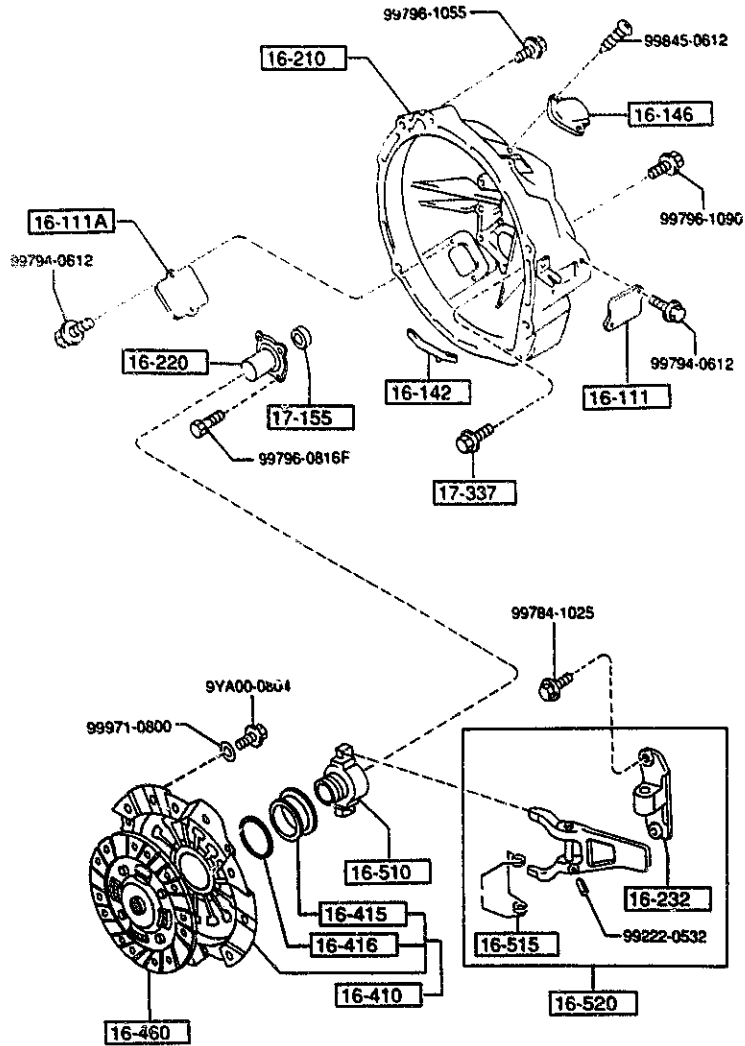


1580 -1 M BRACKET, PULLEY & BELT

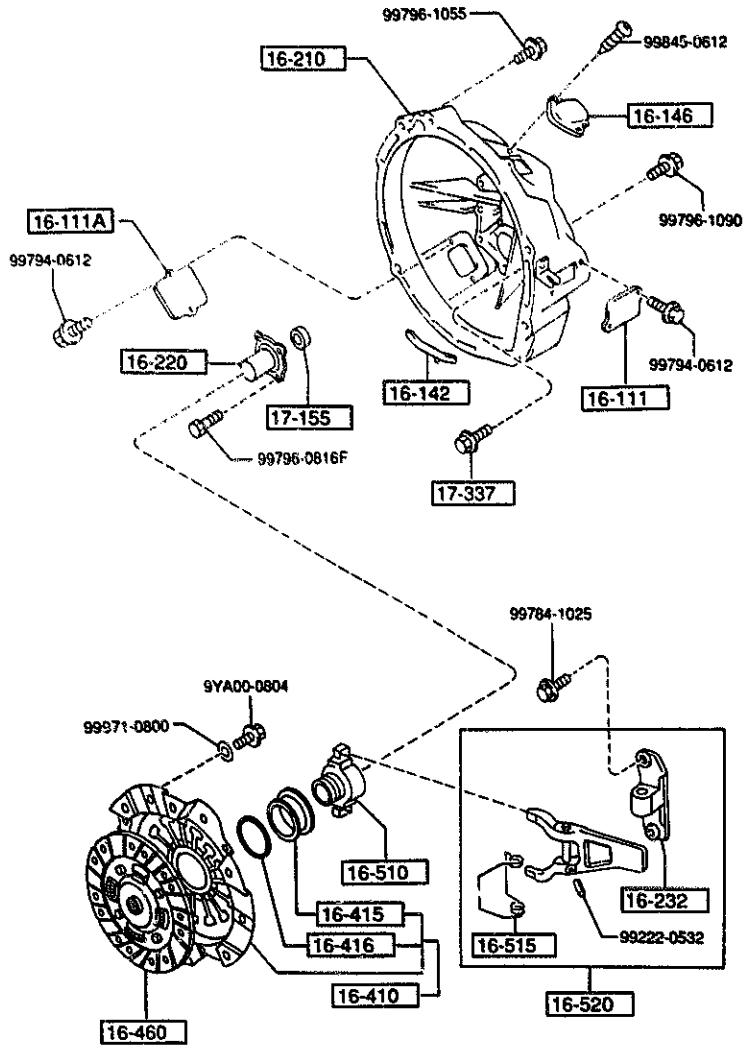
PART NO.	QTY	MODEL/RESTRICTION	MODEL/RESTRICTION	MODEL/RESTRICTION	FROM TO
15-907		BELT*V*			
NSA1-15-907	1	6PK-920 (W/ P.S.)			
15-908A		DELT,V			
NSA1-15-908	1	6PK-1045 (W/AIR CON.)			
5-920		BRACKET,COMPRESSOR			
NSA1-15-910A	1	(W/ P.S.)			
15-925A		BUSH			
N326-15-812	2	(W/ P.S.)			
15-932		SHAFT,PULLEY			
NSA1-15-932	1	(W/ P.S.)			-3C01
NSA1-15-932A	1	(W/ P.S.)			3C01-
15-933		COLLAR,COMP.BRKT			
NSA1-15-933	1	(W/ P.S.)			-3C01
NSA1-15-933A	1	(W/ P.S.)			3C01-
15-934		COVER,DUST			
NSA1-15-934	1	(W/ P.S.)			-3C01
15-940		PULLEY,IDLE			
NSA1-15-94V	1	(W/ P.S.)			
15-940J		BEARING			
99606-23030	1	(W/ P.S.)			
15-966		BOLT,ADJUST			
NSA1-15-966	1	(W/ P.S.)			

3C01 FD335*-301464

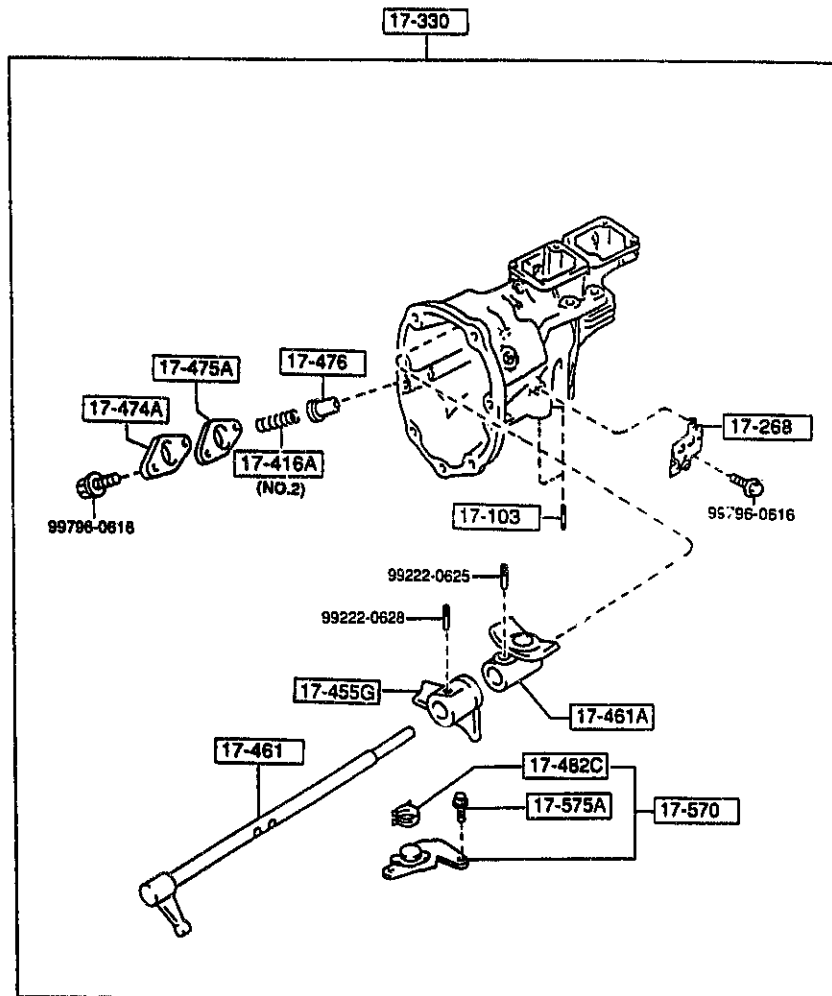
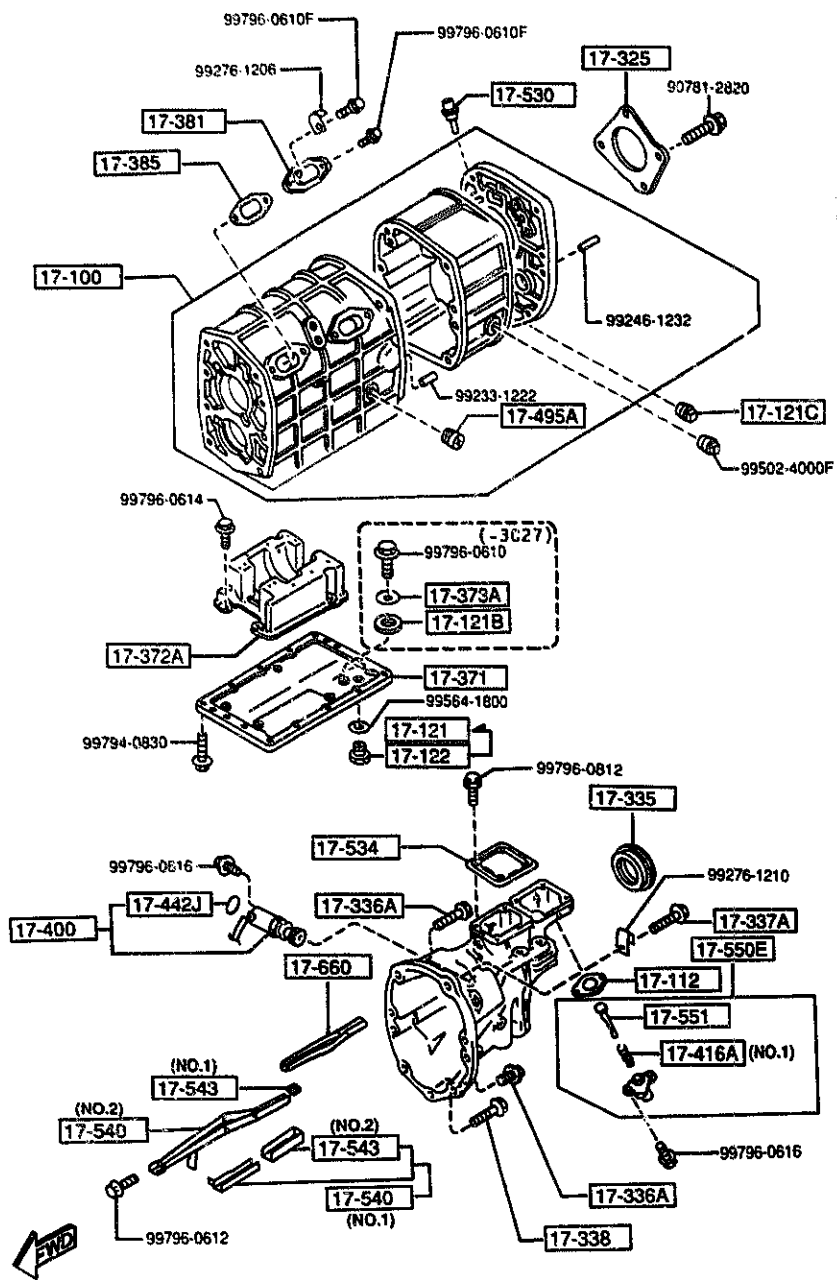


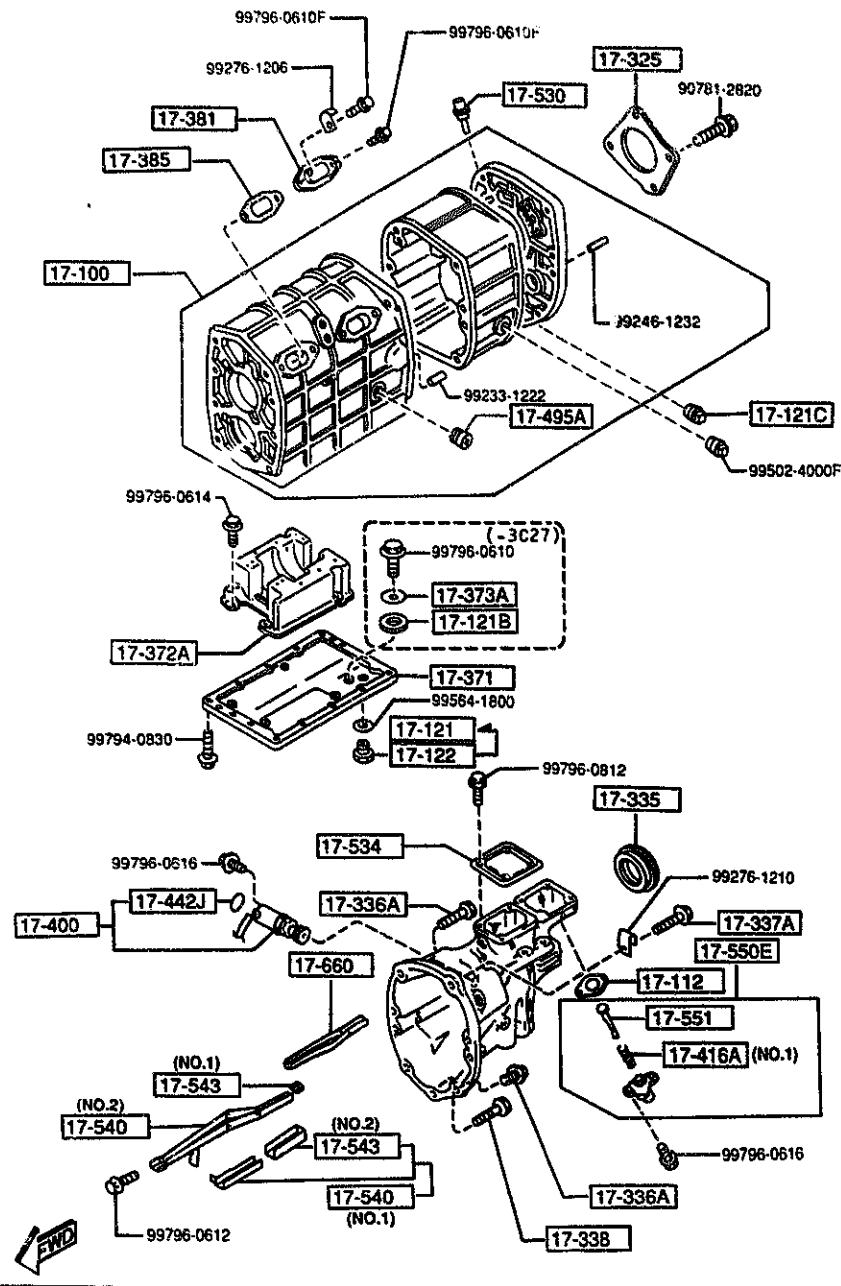


PART NO	QTY	MODEL/RESTRICTION	MODEL/RESTRICTION	MODEL/RESTRICTION	FROM-TO
16-111		COVER, PEEPING HOLE			
N315-16-111	1				
16-111A		COVER, PEEPING HOLE			
N315-16-117	1				
16-142		COVER, DUST			
N315-16-142	1				
16-146		COVER, VENT.			
N315-16-150	1				
16-210		HOUSING, CLUTCH			
N315-16-210B	1				
16-220		COVER, FRONT CLUTCH			
N315-16-221	1				
16-232		BUSH			
N315-16-522	1				
16-410		COVER, CLUTCH			
N315-16-410B	1				
16-415		COLLAR, WEDGE			
N315-16-415	1				
16-416		RING, WIRE			
N315-16-416	1				
16-460		DISC, CLUTCH			
N315-16-460B		NON ASBESTOS			
A (N315-16-460C)	1				-3805
N315-16-460C	1				3805-
16-510		COLLAR, CLUTCH REL.			
N315-16-510	1				
16-515		SPRING, CLUTCH COLLAR			
N315-16-515	1				
3805 FD333*-300031					

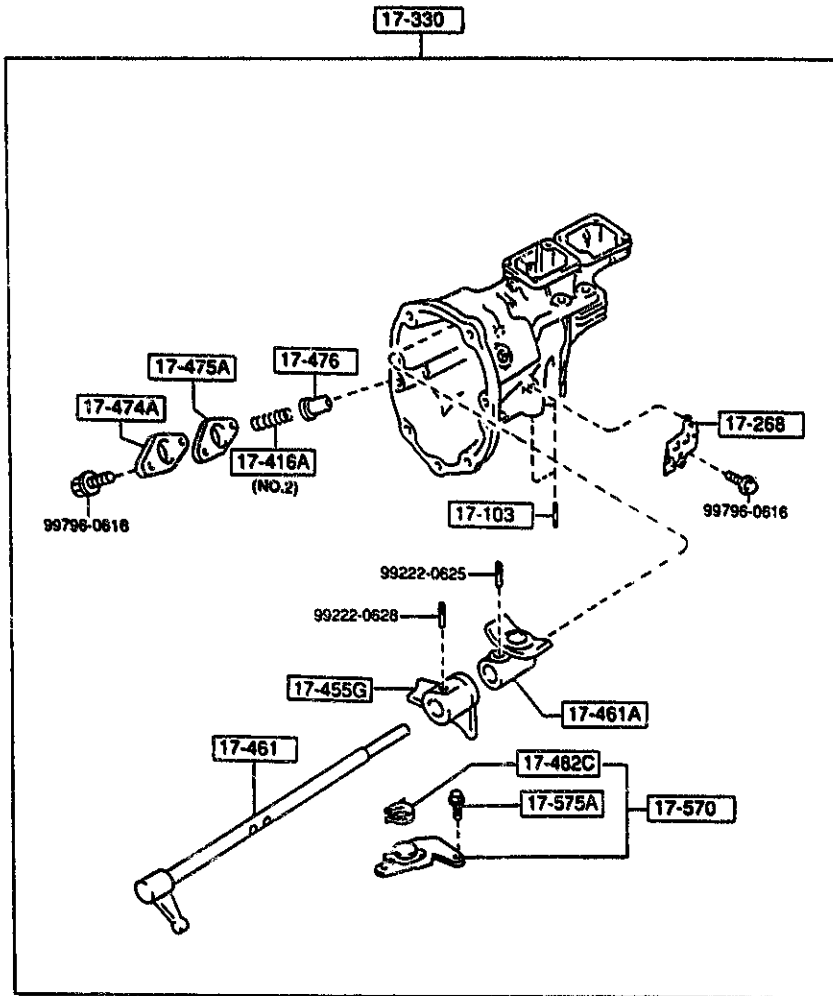


PART NO.	QTY	MODEL/RESTRICTION	MODEL/RESTRICTION	MODEL/RESTRICTION	FORM-19
16-520		FORK, CLUTCH RELEASE			
N515-16-520B	1				
17-155		SEAL, OIL			
H501-17-103	1				
17-337		BOLT			
R402-17-337A	10				



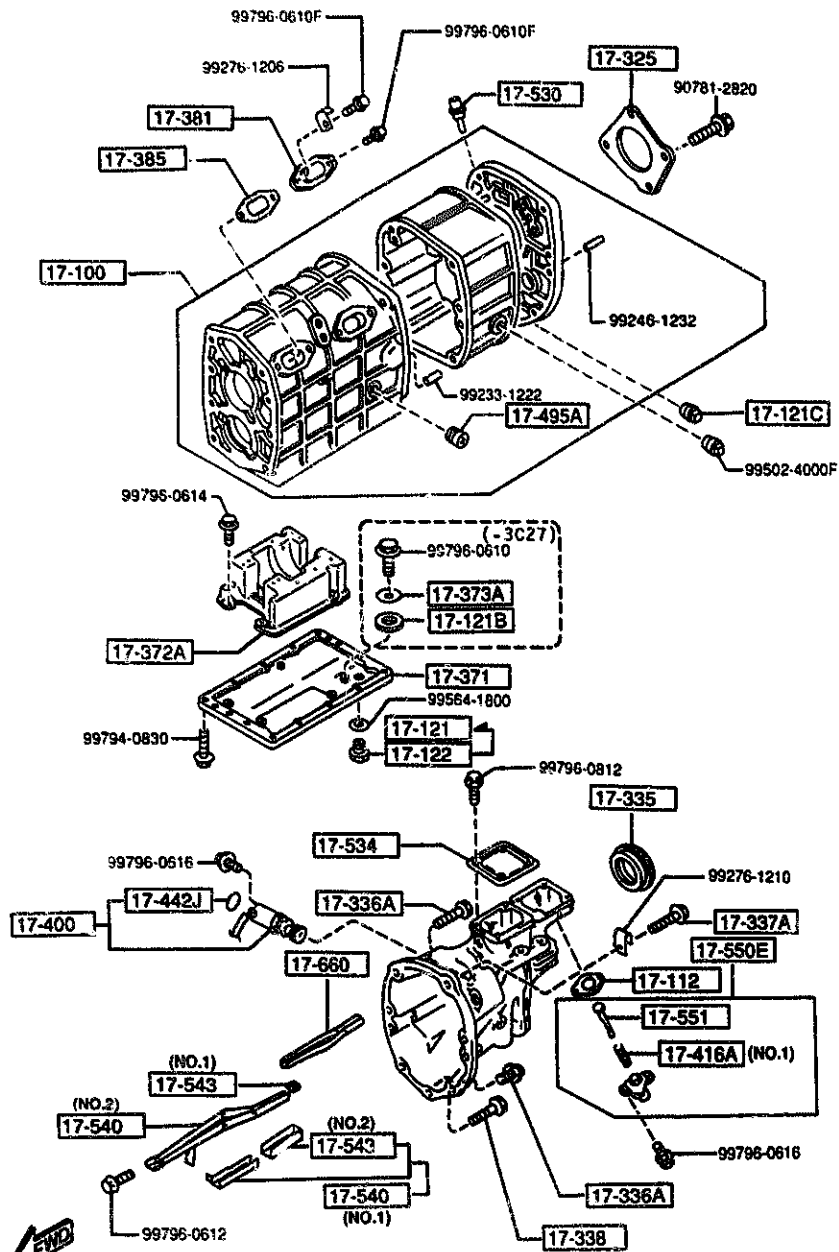


PART NO.	QTY	MODEL/RESTRICTION	MODEL/RESTRICTION	MODEL/RESTRICTION	FROM-TO
17-100		CASE, T/MISSION			
R501-17-20XA	1				
17-103		BOLT			
R526-17-103	2				
17-112		GASKET			
S524-17-112	1				
17-121		PLUG, MAGNET DRAIN			
P501-17-125A	1	L=50MM			3C27-
17-121B		MAGNET			
R501-17-121	1				-3C27
17-121C		PLUG, MAGNET			
0107-17-121	1				
17-122		PLUG, MAGNET			
0810-17-121	1				-3C27
17-268		CLIP			
R507-17-268	1				
17-325		COVER, BEARING			
0884-17-325B	1				
17-330		HOUSING, EXTENSION			
R526-17-330A	1				
17-335		SEAL, OIL			
R501-17-335A	1				
17-336A		BOLT			
R505-17-337	5				
17-337A		BOLT			
R504-17-337	1				
17-338		BOLT			
3C27 FD333*-301727					



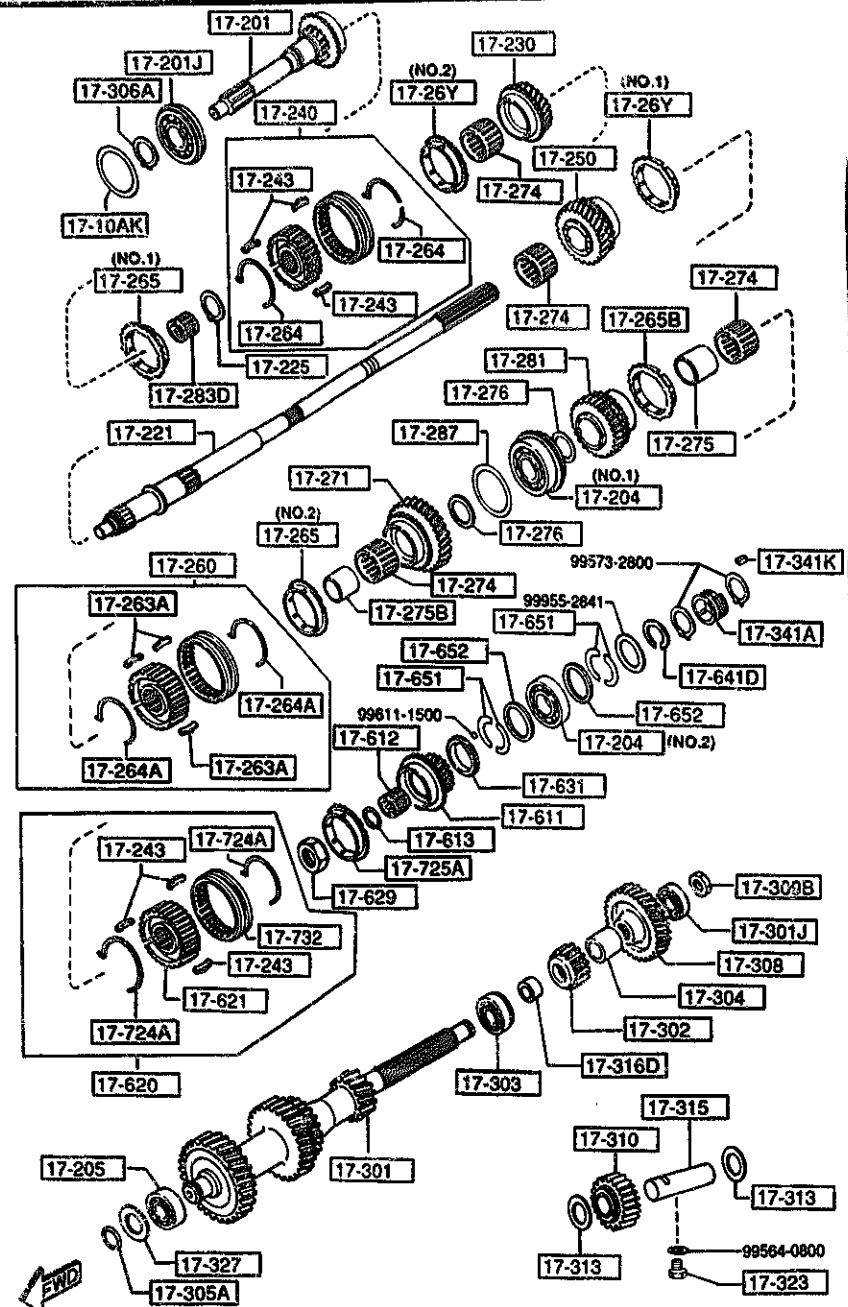
PART NO.	QTY	MODEL/RESTRICTION	MODEL/RESTRICTION	MODEL/RESTRICTION	FROM-TO
CONT'D					
R502-17-338	1				
↑ 17-371 ↓		COVER, UNDER			
R502-17-371	1				
↑ 17-372A ↓		BAFFLE, OIL			
R501-17-372	1				
↑ 17-373A ↓		PLATE, DRAIN PLUG-UNDER C.			
R501-17-373	1				-3C27
↑ 17-381 ↓		COVER, BLIND			
0810-17-381A	2				
↑ 17-385 ↓		GASKET, BLIND COVER			
R501-17-385A	2	NON ASBESTOS			
↑ 17-400 ↓		GEAR SEAL, DRIVEN-SPEED			
R505-17-400B	1				
↑ 17-416A ↓		SPRING			
R505-17-416	1	(ILLUST. NO.1)			
R506-17-416	1	(ILLUST. NO.2)			
↑ 17-442J ↓		RING, 'O'			
1011-17-443	1				
↑ 17-455G ↓		SELECTOR			
R504-17-455	1				
↑ 17-461 ↓		LEVER, CONTROL			
R514-17-450A	1				
↑ 17-461A ↓		END, CONTROL LEVER			
R522-17-461A	1				
↑ 17-474A ↓		CAP, SPRING			
M501-17-474	1				
↑ 17-475A ↓		GASKET, SPRING CAP			

3C27 FD333*-301727



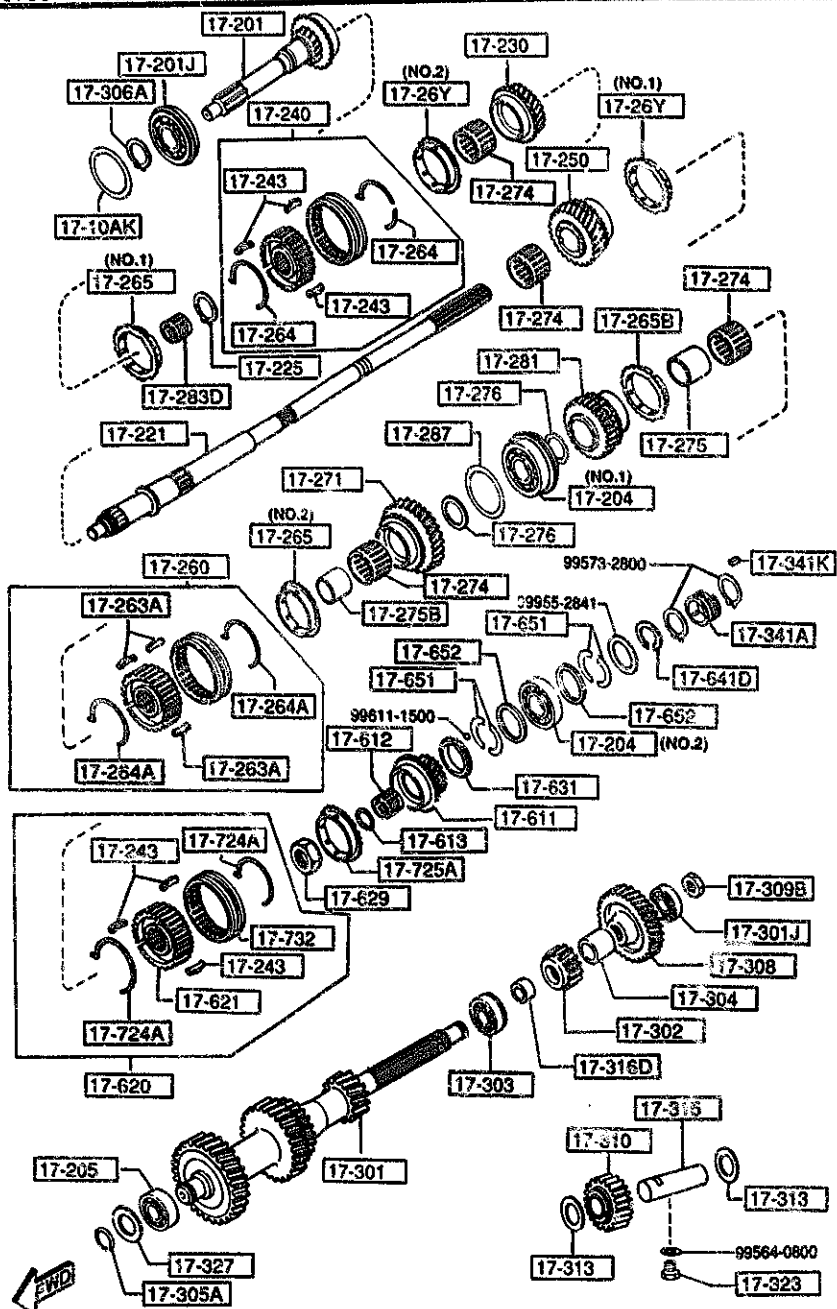
PART NO.	QTY	MODEL/RESTRICTION	MODEL/RESTRICTION	MODEL/RESTRICTION	FROM-TO
CONT'D					
M501-17-475	1				
17-476		SPINDLE, SELECT LOCK			
R501-17-476	1				
17-482C		SPRING, REVERSE GATE			
G5A0-17-482B	1				
17-495A		PLUG			
R502-17-495	1				
17-530		BREATHER, AIR-T/MISSION			
M501-17-530A	1				
17-534		COVER, BLIND-EXTENSION HOUSING			
R501-17-523	1				
17-540		PASS, OIL			
R505-17-540	1	(ILLUST. NO. 1)			
R507-17-540	1	(ILLUST. NO. 2)			
17-543		RUBBER, SEAL			
M501-17-543A	1	(ILLUST. NO. 1)			
R505-17-543	1	(ILLUST. NO. 2)			
17-550E		SPINDLE, SELECT			
R503-17-550	1				
17-551		SPINDLE, SELECT LOCK			
R502-17-551	1				
17-570		GUIDE, CHANGE			
R526-17-570	1				
17-575A		BOLT			
P501-17-575	2				
17-660		PASS, OIL			
0862-17-660C	1				

1710 TRANSMISSION GEARS(MANUAL)

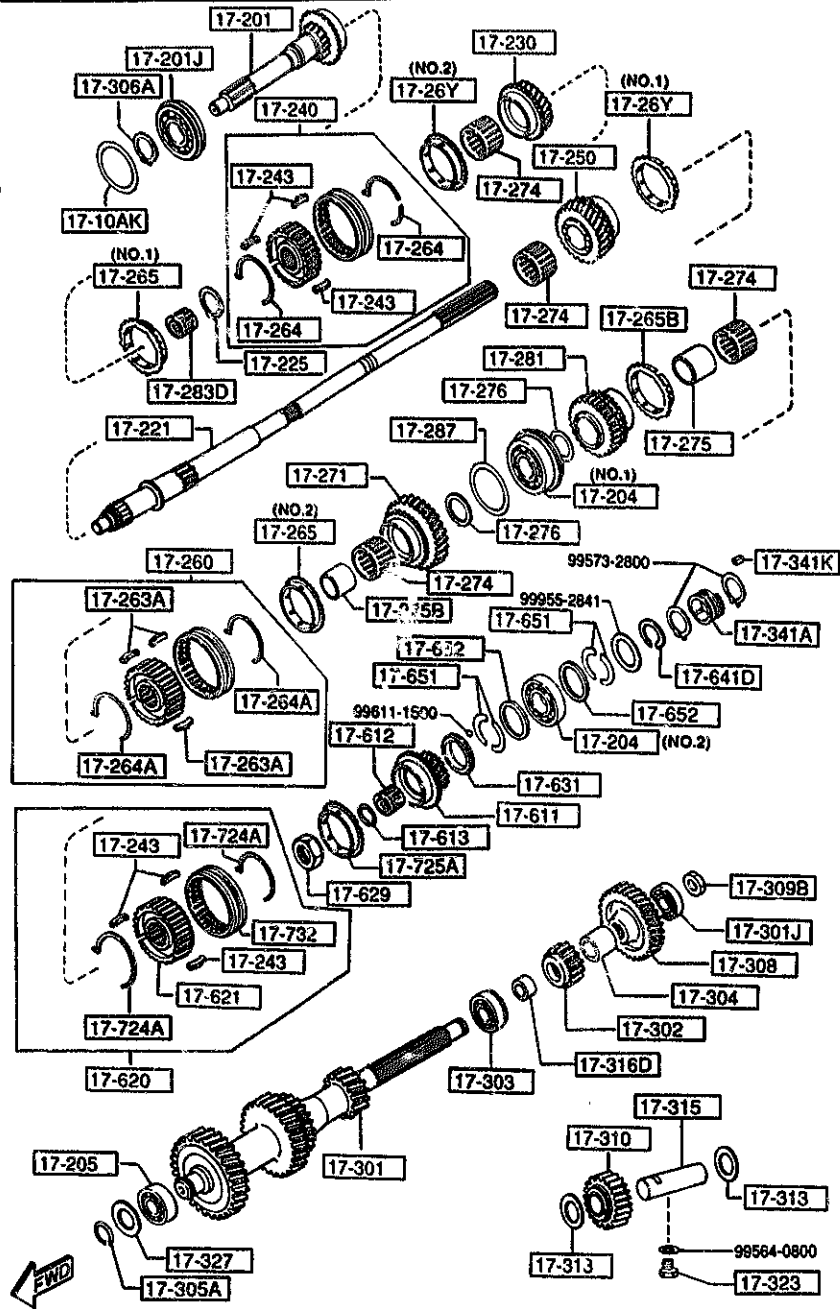


PART NO.	QTY	MODEL/RESTRICTION	MODEL/RESTRICTION	MODEL/RESTRICTION	FROM-TO
17-10AK	1	SHIM, ADJUST			
99963-6930	1	T=0.3MM			
99963-6940	1	T=0.4MM			
99963-6950	1	T=0.5MM			
99963-6960	1	T=0.6MM			
99963-6970	1	T=0.7MM			
17-201	1	GEAR, MAIN DRIVE			
R509-17-21X	1				
17-201J	1	BEARING, BALL-MAIN DRIVE GEAR			
R501-17-295	1				
17-204	1	BEARING, BALL-MAIN SH AFT			
R501-17-204	1	D=75/I=32/W=20 (ILLUST. NO.1)			
R502-17-204	1	D=68/I=28/W=18 (ILLUST. NO.2)			
17-205	1	BEARING, ROLLER			
R502-17-306A	1				
17-221	1	SHAFT, MAIN			
R503-17-221B	1				
17-225	1	RING, SNAP			
0517-17-225	1				
17-230	1	GEAR, 3RD			
R527-17-230	1				
17-240	1	HUB SET, CLUTCH-3RD & 4TH			
R523-17-240	1				
17-243	6	KEY, SYNCHRONIZER			
F401-17-243A	6				

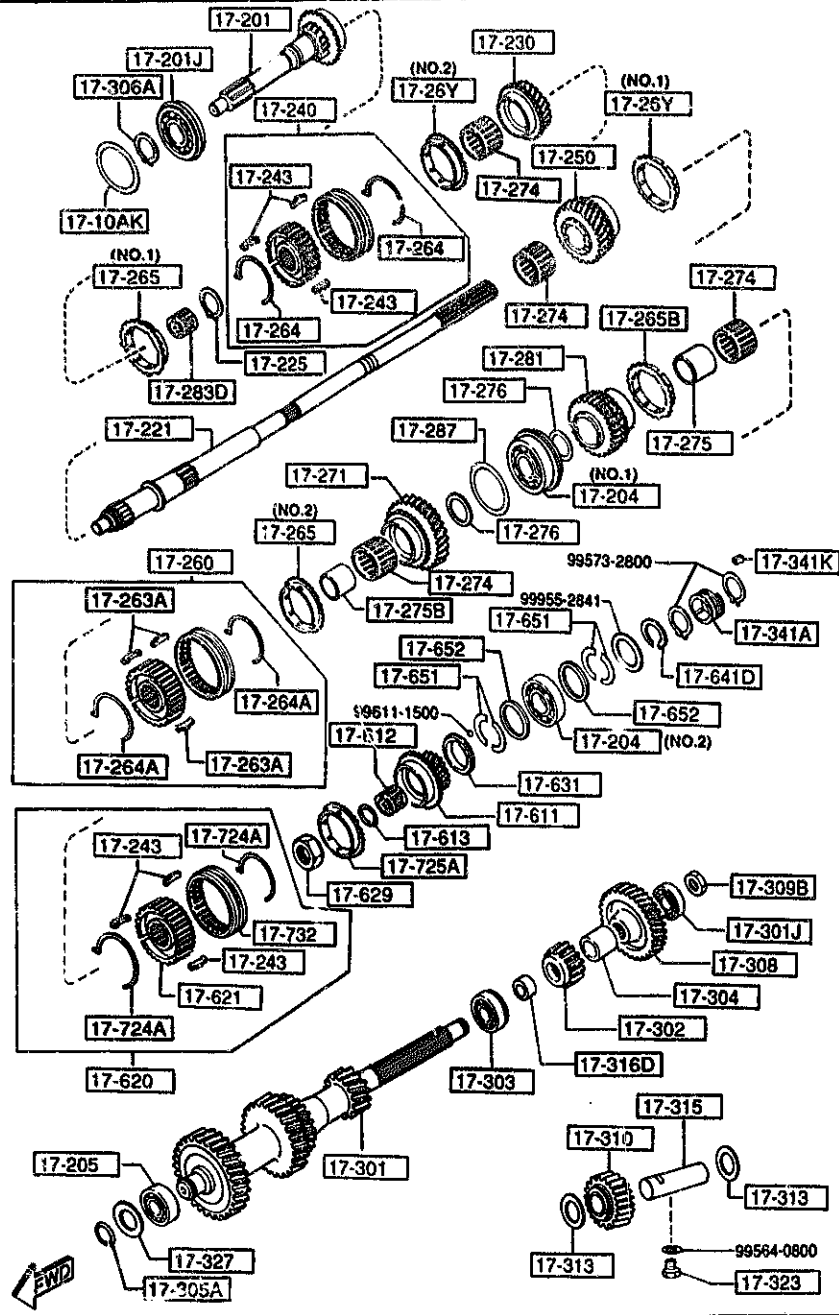
1710 TRANSMISSION GEARS(MANUAL)



PART NO.	QTY	MODEL/RESTRICTION	MODEL/RESTRICTION	MODEL/RESTRICTION	FROM TO
17-250		GEAR, 2ND			
R535-17-250	1				
17-26Y		RING, SYNCHRONIZER			
R503-17-26Y	1	(ILLUST. NO. 1)			
R504-17-26Y	1	(ILLUST. NO. 2)			
17-260		HUB SET, CLUTCH-1ST & 2ND			
R523-17-260A	1				
17-263A		KEY, SYNCHRONIZER			
W501-17-263A	3				
17-264		SPRING, SYNCHRO. KEY			
G401-17-264	2				
17-264A		SPRING, SYNCHRONIZER			
R501-17-264	2				
17-265		RING, SYNCHRONIZER			
M502-17-265C	1	(ILLUST. NO. 1)			
R514-17-265B	1	(ILLUST. NO. 2)			
17-265B		RING, SYNCHRONIZER			
R503-17-265B	1				
17-271		GEAR, 1ST			
R513-17-270A	1				
17-274		BEARING, NEEDLE			
0884-17-274	4				
17-275		RACE, INNER			
3648-17-275A	1				
17-275B		RACE, INNER			
0884-17-275B	1				
17-276		WASHER, THRUST			
0839-17-276	1	T=2.5MM			

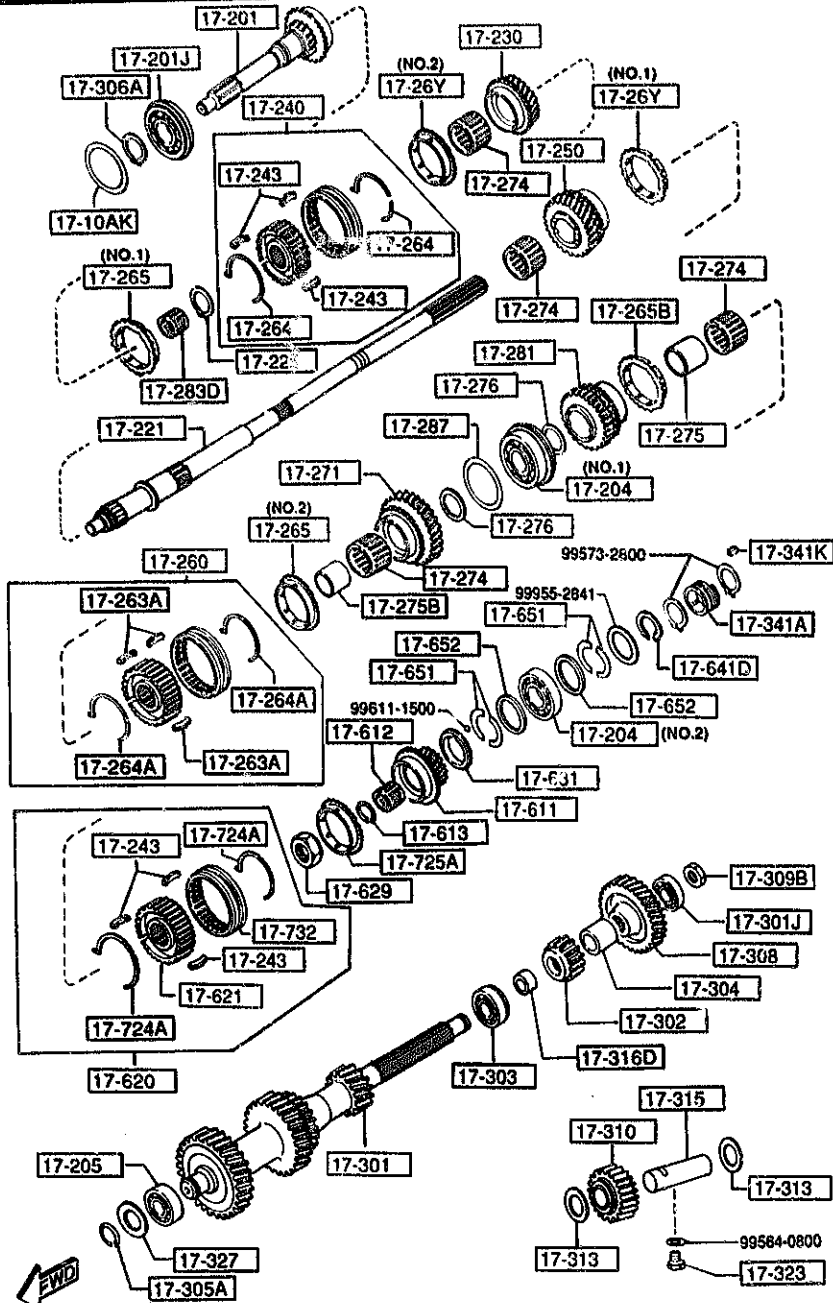


PART NO.	QTY	MODEL/RESTRICTION	MODEL/RESTRICTION	MODEL/RESTRICTION	FROM ID
CONT'D					
0839-17-277	2	T=3MM			
0839-17-278	1	T=3.5MM			
17-281		GEAR, REVERSE			
R505-17-281	1				
17-283D		BEARING, NEEDLE			
R502-17-283	1				
17-287		SHIM, ADJUST			
0839-17-287	2	T=0.1MM			
0839-17-288	1	T=0.3MM			
17-301		GEAR, COUNTER SHAFT			
R525-17-301	1				
17-301J		BEARING, BALL			
R501-17-299	1				
17-302		GEAR, COUNTER REVERSE			
R504-17-302A	1				
17-303		BEARING, BALL			
0821-17-303	1				
17-304		SPACER			
R501-17-304	1				
17-305A		RING, RETAINING-BALL BEARING			
0839-17-305B	1				
17-306A		RING, SNAP			
0727-17-306	1				
17-308		GEAR, COUNTER			
R524-17-308	1				
17-309B		NUT, LOCK-COUNTER SHAFT BR			



PART NO.	QTY	MODEL/RESTRICTION	MODEL/RESTRICTION	MODEL/RESTRICTION	FROM TO
CONT'D M501-17-309	1				
17-310	1	GEAR, REVERSE IDLE			
R505-17-310B	1				
17-313	2	WASHER, THRUST-REVERSE IDLE G.			
0821-17-313	2				
17-315	1	SHAFT, REV. IDLE GEAR			
0884-17-315	1				
17-316D	1	SPACER			
R502-17-316	1				
17-323	1	BOLT SET			
4069-17-323	1				
17-327	2	SHIM, ADJUST-COUNTER SHAFT GEAR T=0.1MM			
0305-17-327	2				
0305-17-328	1	T=0.3MM			
17-341A	1	GEAR, SPEEDO. DRIVE			
R502-17-341A	1				
17-341K	1	KEY			
M501-17-342	1				
17-611	1	GEAR, OVER TOP			
R523-17-610	1				
17-612	1	BEARING, NEEDLE			
R501-17-612	1				
17-613	1	RING, RETAINING			
R501-17-613	1				
17-620	1	HUB SET, CLUTCH-O.T. & REV			
R504-17-620	1				

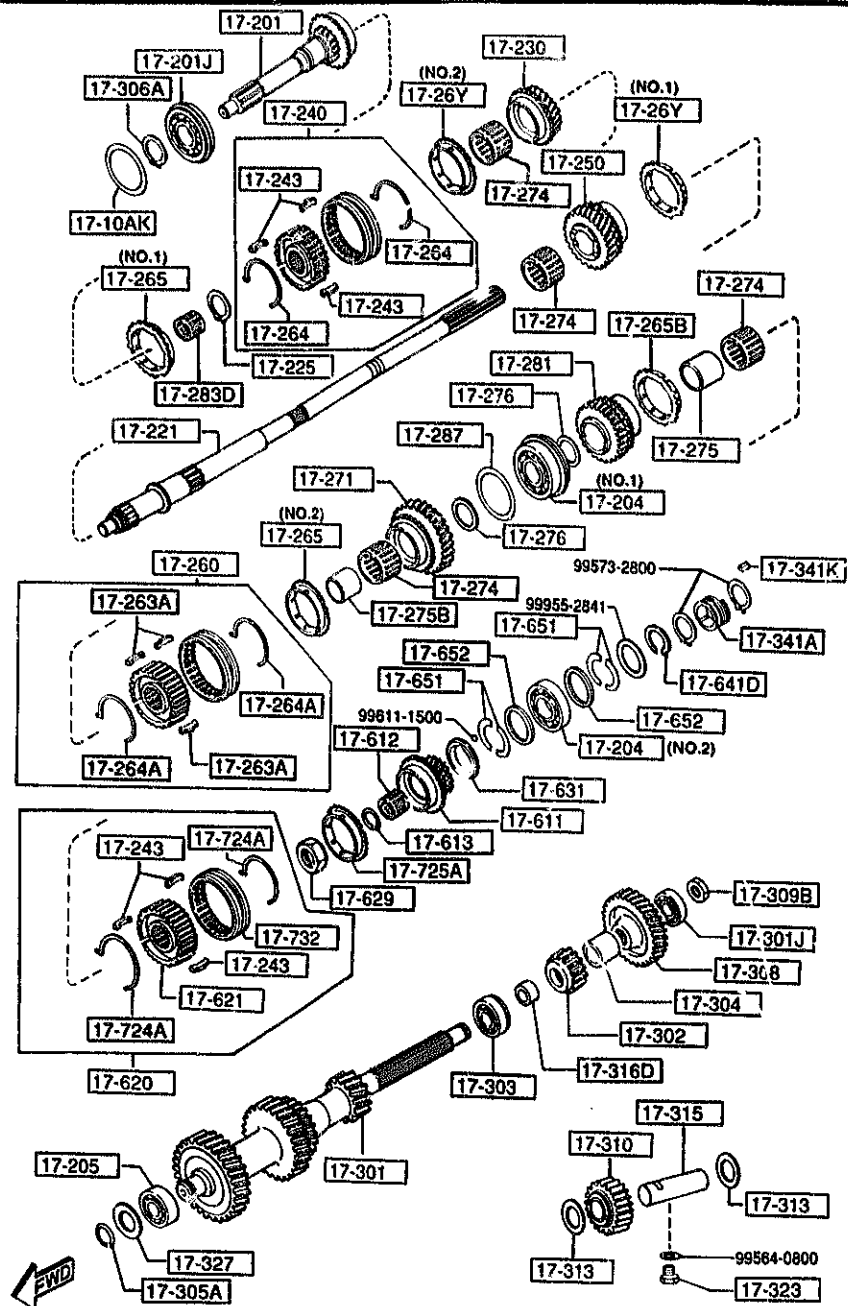
1710 TRANSMISSION GEARS(MANUAL)



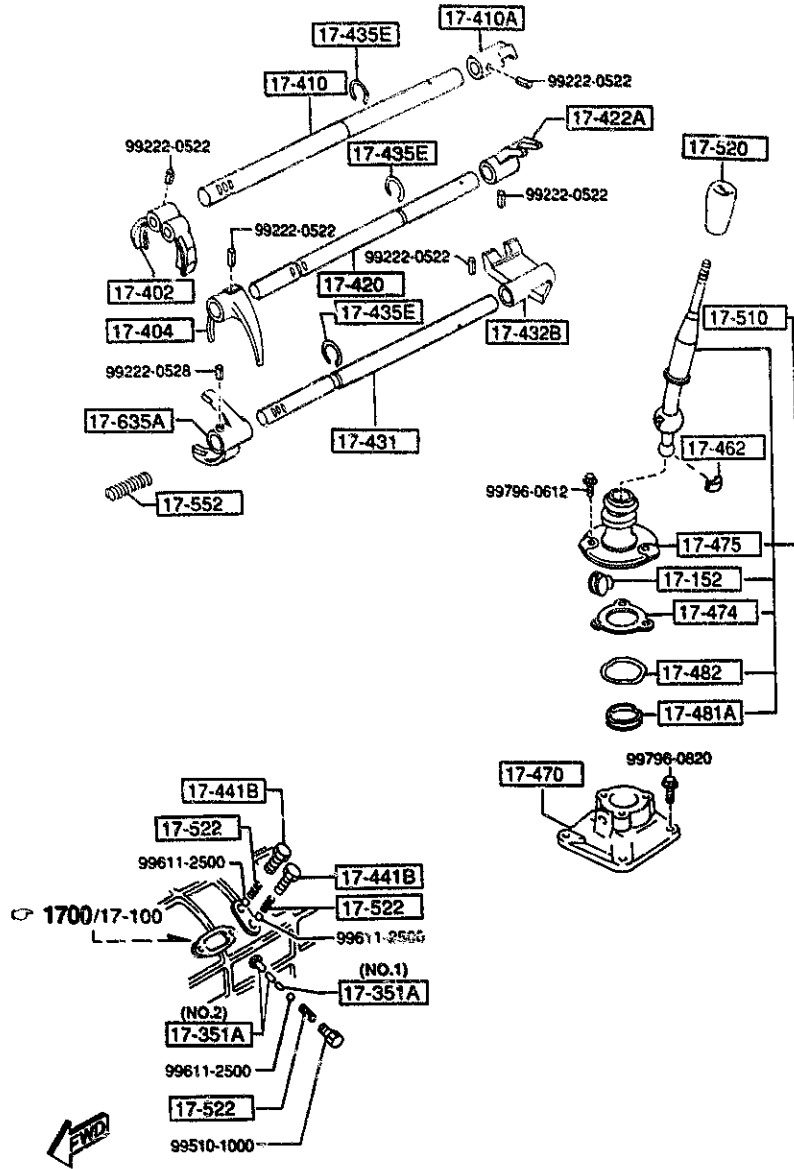
PART NO.	QTY	MODEL/RESTRICTION	MODEL/RESTRICTION	MODEL/RESTRICTION	FROM TO
17-621		HUB, CLUTCH			
R502-17-621A	1				
17-629		NUT, LOCK-CLUTCH HUB			
3648-17-629	1				
17-631		WASHER, THRUST LOCK-O VER TOP G. T=6.4MM			
R501-17-631A	1				
R501-17-632A	1	T=6.5MM			
R501-17-633A	1	T=6.6MM			
R501-17-634A	1	T=6.7MM			
R501-17-635	1	T=6.3MM			
R501-17-636	1	T=6.2MM			
17-641D		RING, SNAP			
0821-17-641B	1				
17-651		WASHER, THRUST T=3MM			
M502-17-651	4				
M502-17-653	2	T=3.1MM			
M502-17-654	2	T=3.2MM			
M502-17-655	2	T=2.9MM			
17-652		RING, THRUST WASHER			
M502-17-652	2				
17-724A		SPRING, SYNCHRO. KEY			
W501-17-724	2				
17-725A		RING, SYNCHRONIZER			
W501-17-725B	1				
17-732		SLEEVE, CLUTCH HUB			



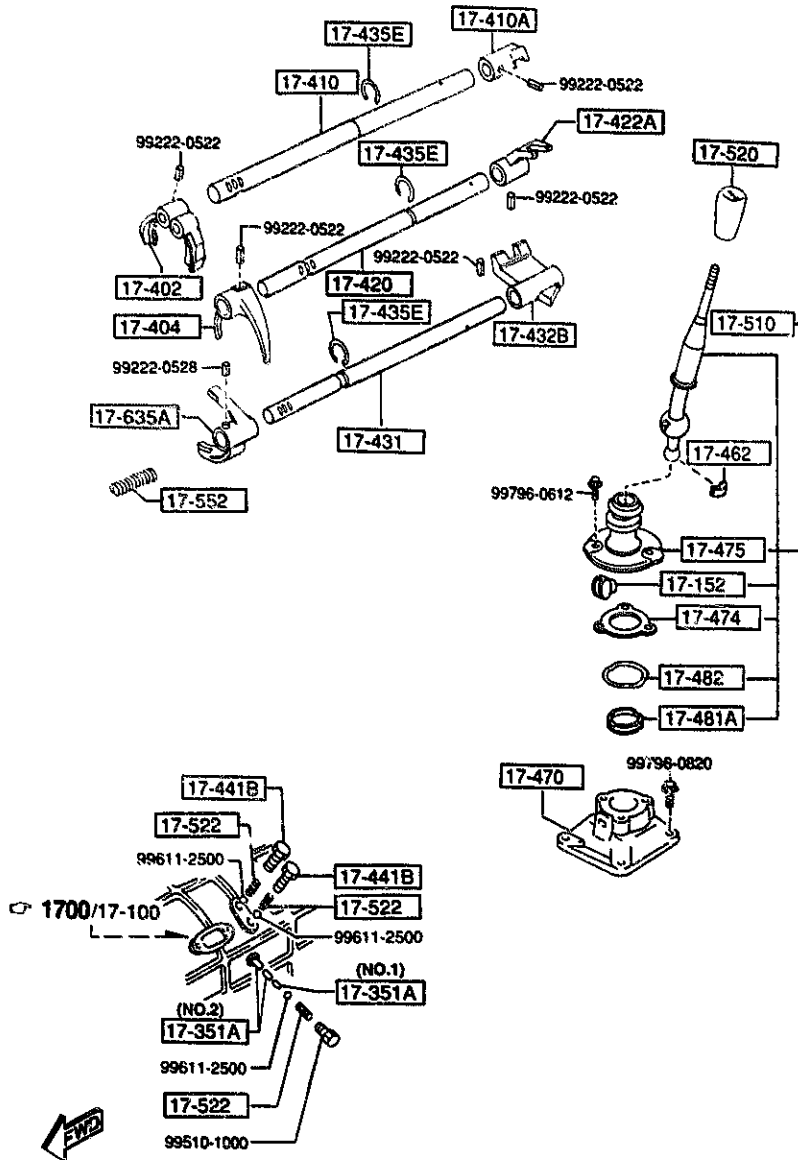
1710 TRANSMISSION GEARS(MANUAL)



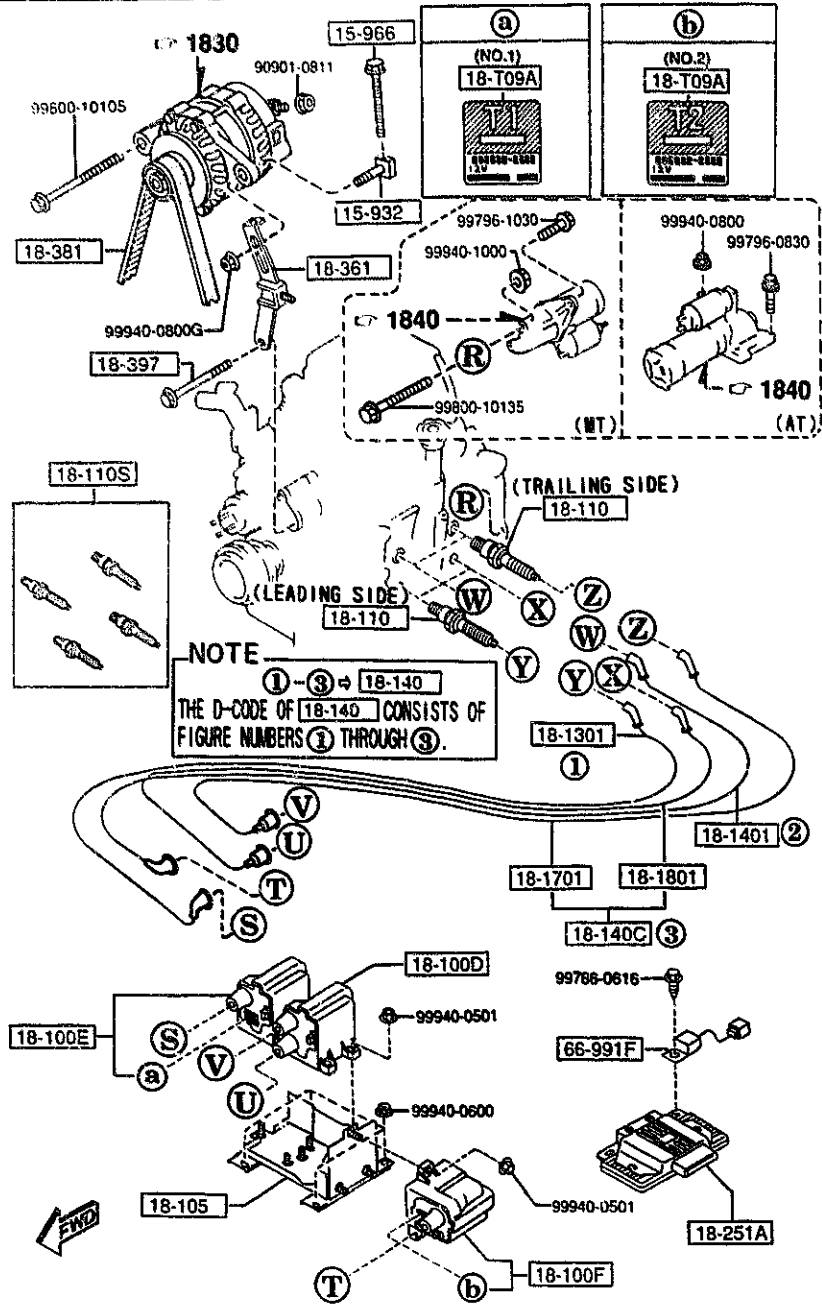
PART NO.	QTY	MODEL/RESTRICTION	MODEL/RESTRICTION	MODEL/RESTRICTION	FROM - TO
CONT'D R501-17-732	1				



PART NO.	QTY	MODEL/RESTRICTION	MODEL/RESTRICTION	MODEL/RESTRICTION	FROM TO
17-152		BUSH			
M501-17-515	2				
17-351A		PIN, INTER LOCK			
R501-17-351	1	(ILLUST. NO.1)			
O114-17-351	2	(ILLUST. NO.2)			
17-402		FORK, SHIFT(1ST&2ND)			
R522-17-402	1				
17-404		FORK, SHIFT(3RD&4TH)			
R501-17-404B	1				
17-410		ROD, SHIFT(1ST&2ND)			
R522-17-411	1				
17-410A		END, S/ROD(1ST&2ND)			
R502-17-412A	1				
17-420		ROD, SHIFT(3RD&4TH)			
R522-17-421	1				
17-422A		END, S/ROD(3RD&4TH)			
R506-17-422	1				
17-431		ROD, SHIFT-OVER TOP & REVERSE			
R512-17-431A AN(R512-17-431B)	1				-3906
R512-17-431B	1				3906-
17-432B		END, SHIF ROD(O/TOP& REV.)			
R513-17-432	1				
17-435E		RING, RETAINING			
R502-17-435	3				
17-441B		PLUG, CAP			
O221-17-441A	2				
17-462		SHEET, SPRING			
O398-17-462A	1				
3906 FD333*-300440					

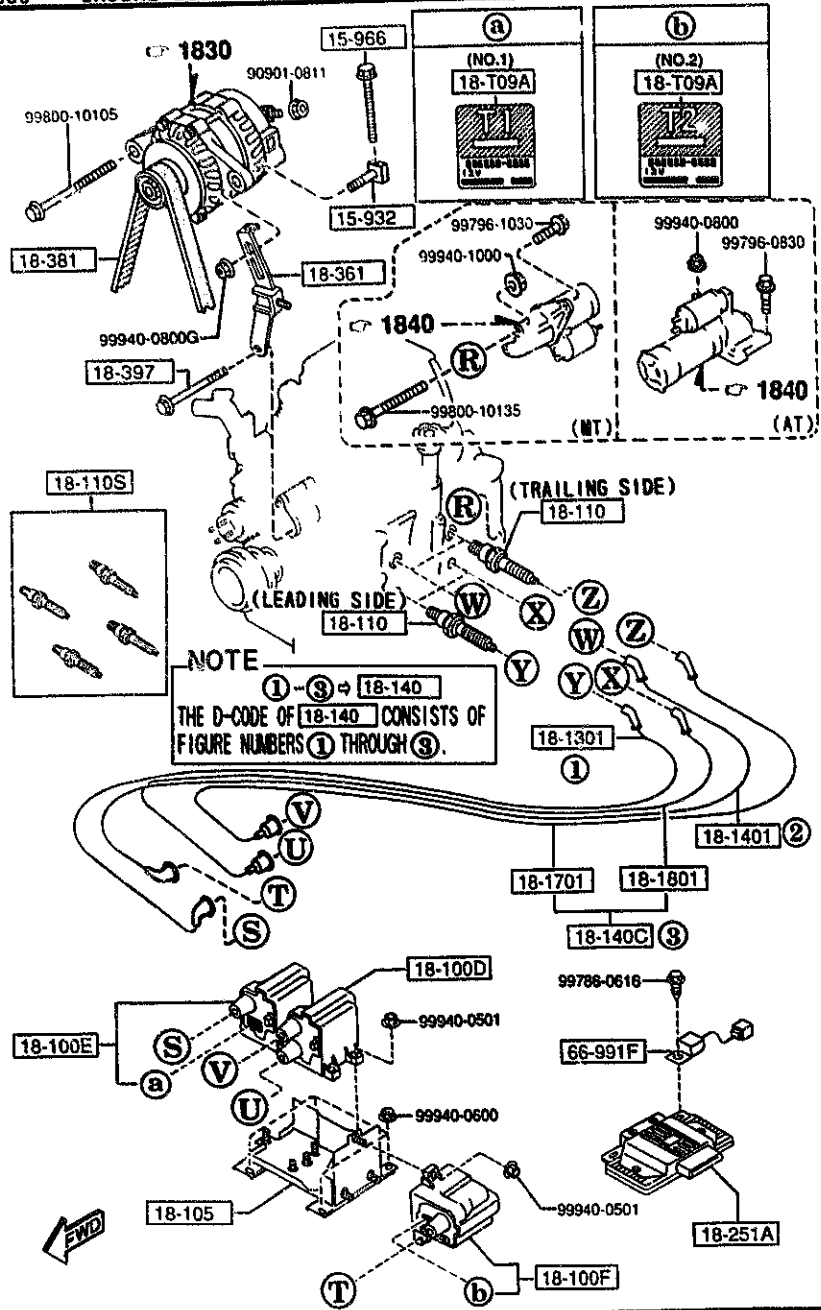


PART NO.	QTY	MODEL/RESTRICTION	MODEL/RESTRICTION	MODEL/RESTRICTION	FROM TO
17-470		CASE, CHANGE CONTROL			
R504-17-470A	1				
17-474		GASKET, COVER PLATE			
0303-17-474	1				
17-475		BOOT, DUST-CHANGE LEV			
M513-17-480A	1				
17-481A		BUSH, CHANGE			
R503-17-481	1				
17-482		WASHER, WAVE-CHANGE C ONT. CASE			
M505-17-492	1				
17-510		LEVER, CHANGE			
R507-17-510A	1				
17-520		KNOB, CHANGE LEVER			
R503-17-520B	1				
00	INT-	FE5 FE6 FE7 BLACK			
17-522		SPRING			
0103-17-411	3	5TH & REVERSE			
17-552		SPRING			
R501-17-552	1				
17-635A		FORK, SHIFT-5TH & RE VERSE			
R505-17-406	1				



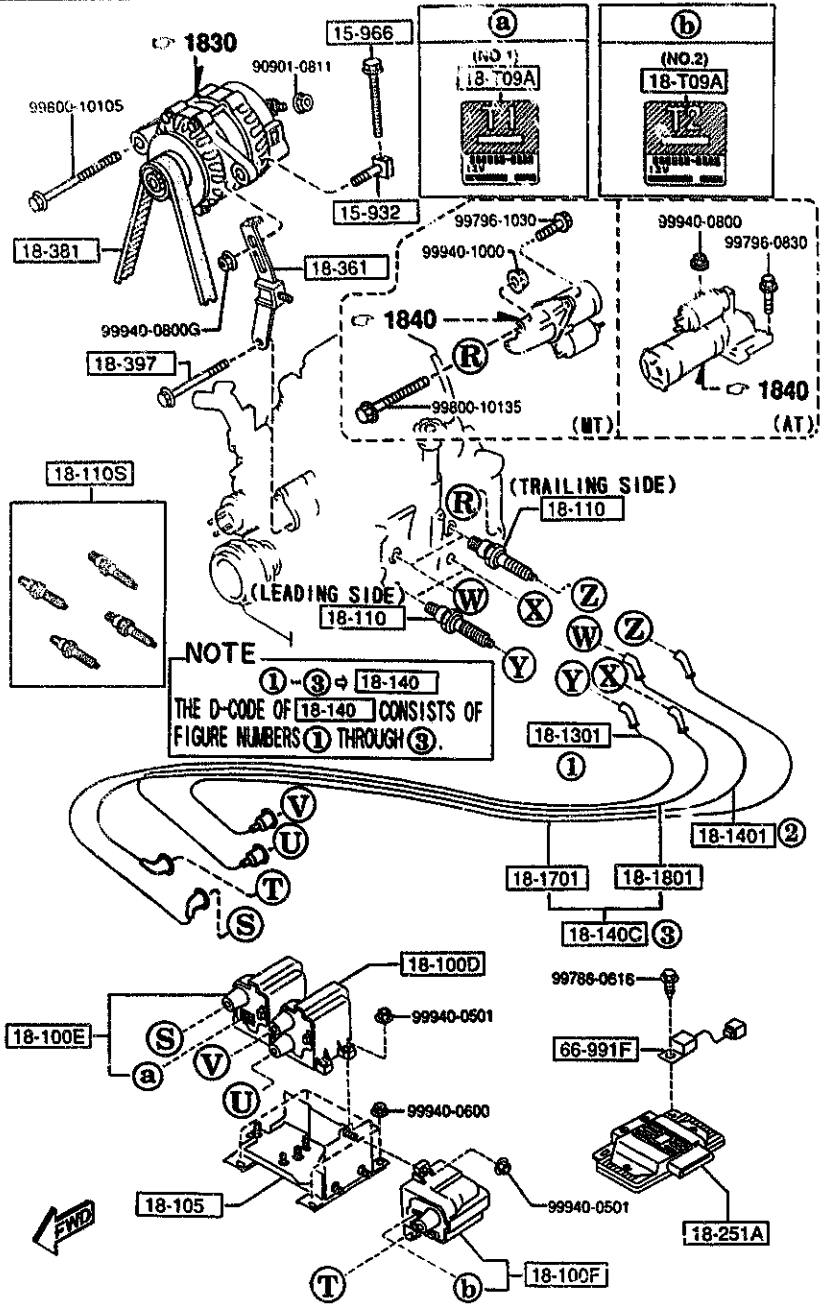
PART NO.	QTY	MODEL/RESTRICTION	MODEL/RESTRICTION	MODEL/RESTRICTION	FROM-TO
15-932		SHAFT, PULLEY			
NF01-15-932	1				
15-966		BOLT, ADJUST			
N390-15-966	1				
18-T09A		LABEL, IG. COIL			
N3A1-18-T09	1	(ILLUST. NO. 1)			
N3A2-18-T09	1	(ILLUST. NO. 2)			
18-100D		COIL, IGNITION-LEADING			
N3A3-18-100	1	LEADING			
18-100E		COIL, IGNITION-TRAILING			
N3A1-18-100	1	TRAILING			
18-100F		COIL, IGNITION-TRAILING			
N3A2-18-100	1				
18-105		BRACKET, DIST. MODULE			
N3A2-18-105A	1				
18-110		PLUG, SPARK			
N3A1-18-110	2	BUR9EQP NGK (TRAILING SIDE) (OPTION)			
N3A2-18-110	2	BUR7EQP NGK (LEADING SIDE) (STD.)			
N3A3-18-110	2	BUR8EQP NGK (TRAILING SIDE) (OPTION HOT TYPE)			
N3A4-18-110	2	BUR6EQP NGK (LEADING SIDE) (OPTION HOT TYPE)			
N328-18-110	2	BUR8EQP NGK (TRAILING SIDE) (OPTION HOT TYPE)			
N329-18-110	2	BUR6EQP NGK (LEADING SIDE) (OPTION HOT TYPE)			
N342-18-110	2	BUR9EQP NGK (TRAILING SIDE) (STD.)			

1800 ENGINE ELECTRICAL SYSTEM

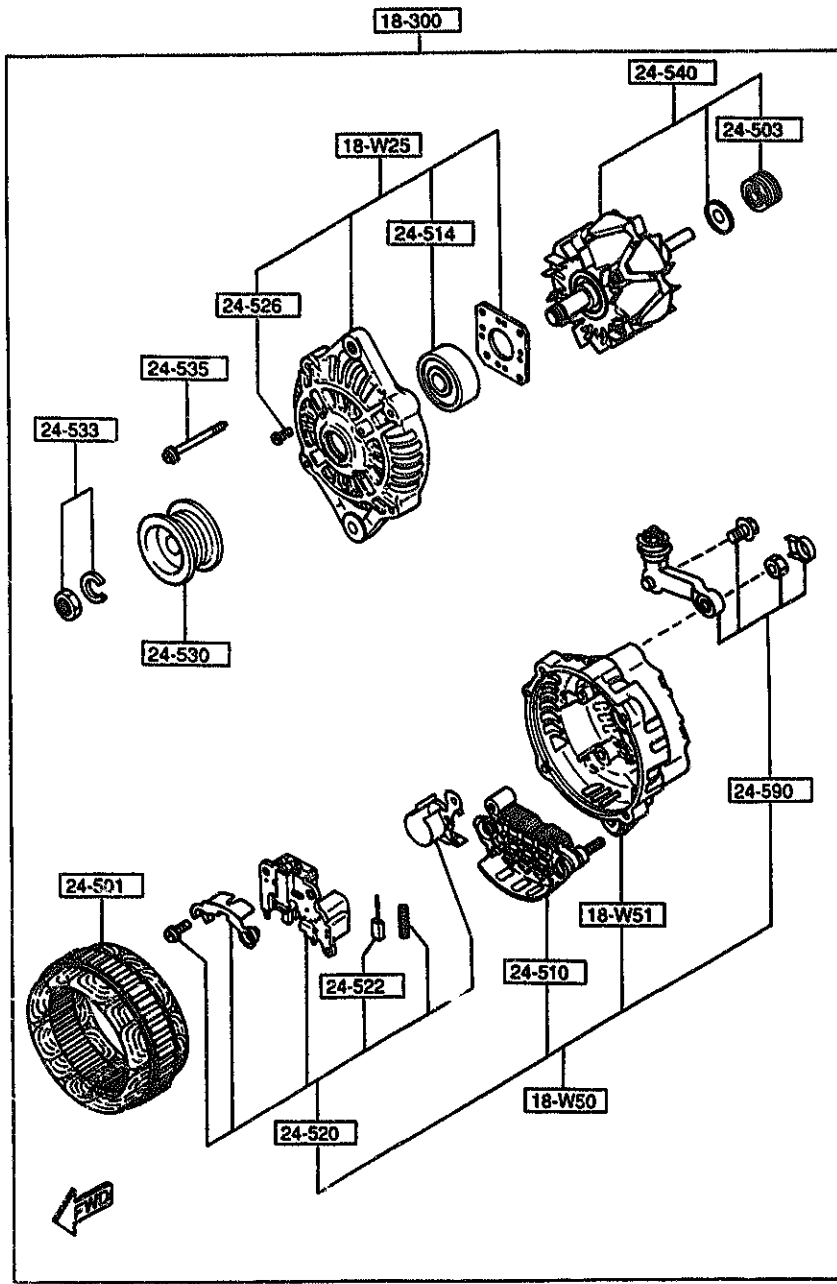


PART NO.	QTY	MODEL/RESTRICTION	MODEL/RESTRICTION	MODEL/RESTRICTION	FROM-TO
CONT'D N343-18-110	2	BUR7EQ NGK (LEADING SIDE) (OPTION)			
18-110S		PLUG SET, SPARK			
N3X4-18-110	1	BUR9EQ/BUR7EQ NGK (OPTION)			
N3X5-18-110	1	BUR9EQ/BUR7EQP NGK (STD.)			
18-1301		CORD, HIGH TENSION (T -1)			
N3A1-18-180A	1				
18-140		CORD SET, HI. TENSION			
88F1-18-140A	1				
18-140C		CORD, HIGH TENSION			
N3A1-18-140	1				
18-1401		CORD, HIGH TENSION (T -2)			
N3A1-18-190A	1				
18-1701		CORD, HIGH TENSION (L -1)			
N3A1-18-T53	1				
18-1801		CORD, HIGH TENSION (L -2)			
N3A1-18-T54	1				
18-251A		IGNITER, IG. COIL-TRAIL ING			
N3A1-18-251	1				
18-361		STRAP, ALTERNATOR			
N3A1-18-360B	1				
18-381		BELT 'V'			
N3A1-18-381	1	5PK-1355 (MT)			
N3A2-18-381	1	5PK-1310 (AT)			
18-397		BOLT, FLANGE			
N3A1-18-397	1				

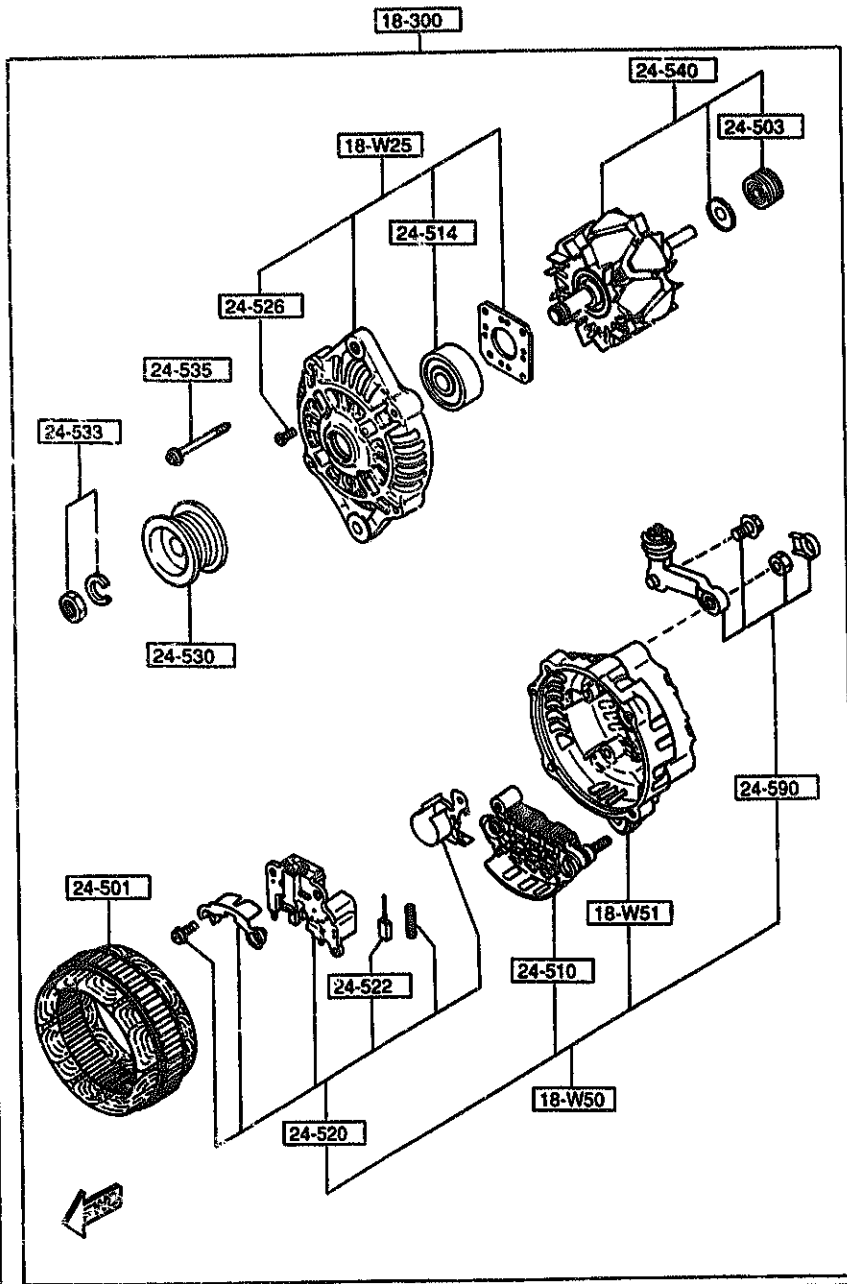
1800 ENGINE ELECTRICAL SYSTEM



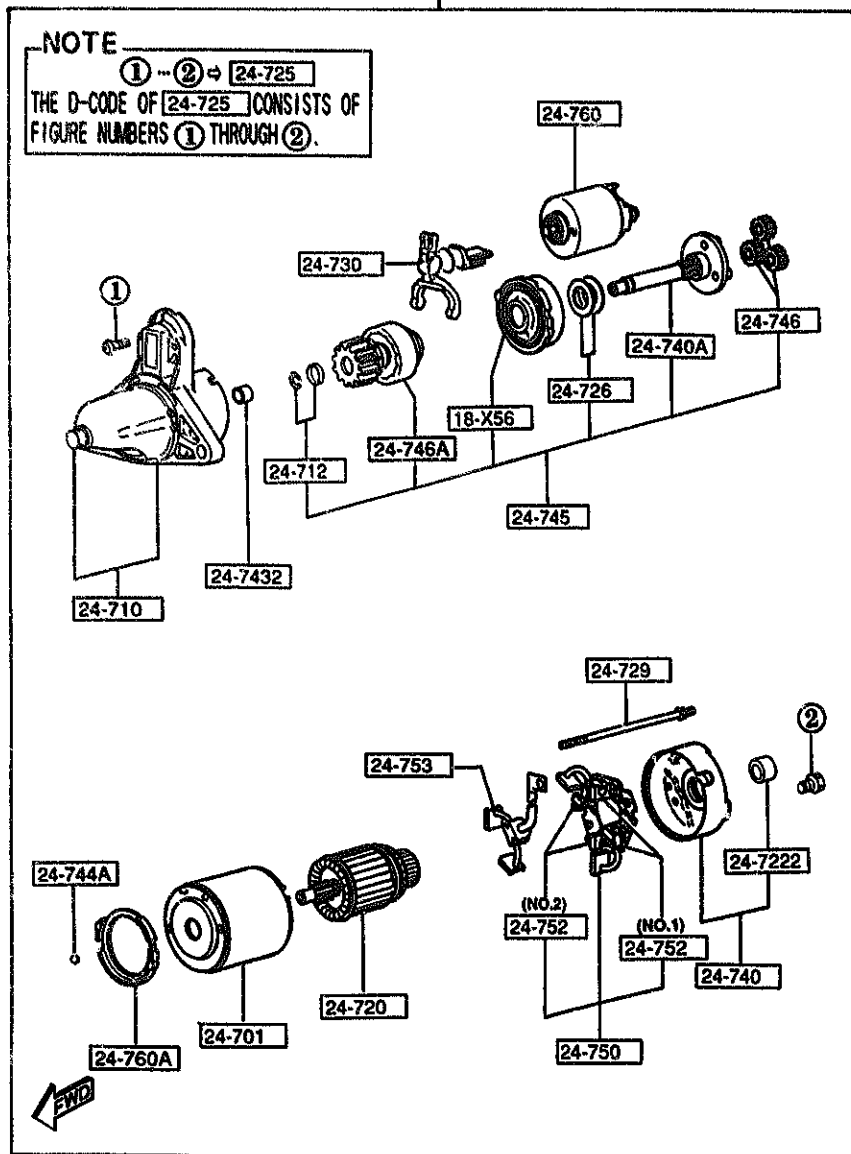
PART NO.	QTY	MODEL/RESTRICTION	MODEL/RESTRICTION	MODEL/RESTRICTION	FROM-TO
66-991F NSA1-66-991	1	CONDENSER			



PART NO.	QTY	MODEL/RESTRICTION	MODEL/RESTRICTION	MODEL/RESTRICTION	FROM-TO
18-W25	1	COVER, FRONT-ALTERNATOR			
NSA1-18-W25					
18-W50	1	COVER, REAR-ALTERNATOR			
NSA1-18-W50					
18-W51	1	COVER, REAR-ALTERNATOR			
NSA1-18-W51					
18-300	1	ALTERNATOR			
NSA1-18-300A					
24-501	1	STATOR			
NSA1-18-W45					
24-503	1	BEARING, BALL-ALT. REAR			
NS36-18-W36					
24-510	1	RECTIFIER			
NSA1-18-W6C					
24-514	1	BEARING, BALL-ALT. FRONT			
PN16-18-W27					
24-520	1	REGULATOR, VOLTAGE			
JE48-18-W70					
24-522	2	BRUSH			
B3C7-18-W77					
24-526	1	SCREW SET			
RF71-18-W26					
24-530	1	PULLEY			
NS90-18-W11					
24-533	1	NUT SET			
B3C7-18-W05					
24-535	1	SCREW SET			
RF71-18-W20					

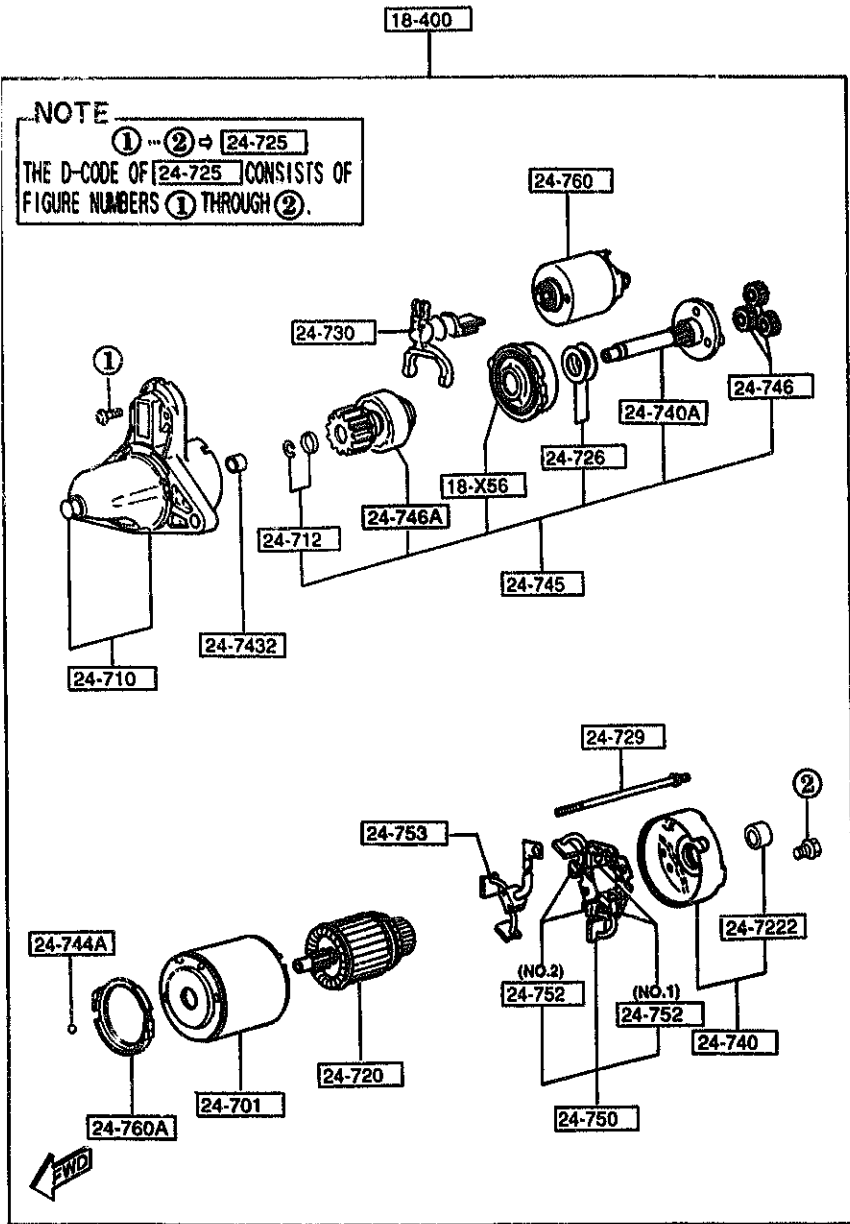


PART NO.	QTY	MODEL/RESTRICTION	MODEL/RESTRICTION	MODEL/RESTRICTION	FROM TO
24-540		ROTOR			
NSA1-18-W35	1				
24-590		TERMINAL SET			
NSA1-18-W80	1				



PART NO.	QTY	MODEL/RESTRICTION	MODEL/RESTRICTION	MODEL/RESTRICTION	FROM-TO
18-X56		GEAR, INTERNAL-STARTER			
F225-18-X56	1				
18-400		STARTER			
N3A1-18-400	1				
24-701		YOKE			
N326-18-X65	1				
24-710		BRACKET, FRONT			
N3A1-18-X00	1				
24-712		STOPPER SET			
N326-18-X30	1				
24-720		ARMATURE			
F214-18-X60A	1	NON ASBESTOS			
24-7222		SLEEVE, BEARING-REAR			
N326-18-X62A	1				
24-725		SCREW SET			
E356-18-X95	1				
24-726		WASHER SET			
N326-18-X92	1				
24-729		BOLT			
N326-18-X91	2				
24-730		LEVER			
N326-18-X05	1				
24-740		BRACKET, REAR			
N318-18-X80A	1				-4201
N315-18-X80	1				4201-
24-740A		SHAFT			
N326-18-X40	1				

4201 FD333*-302262

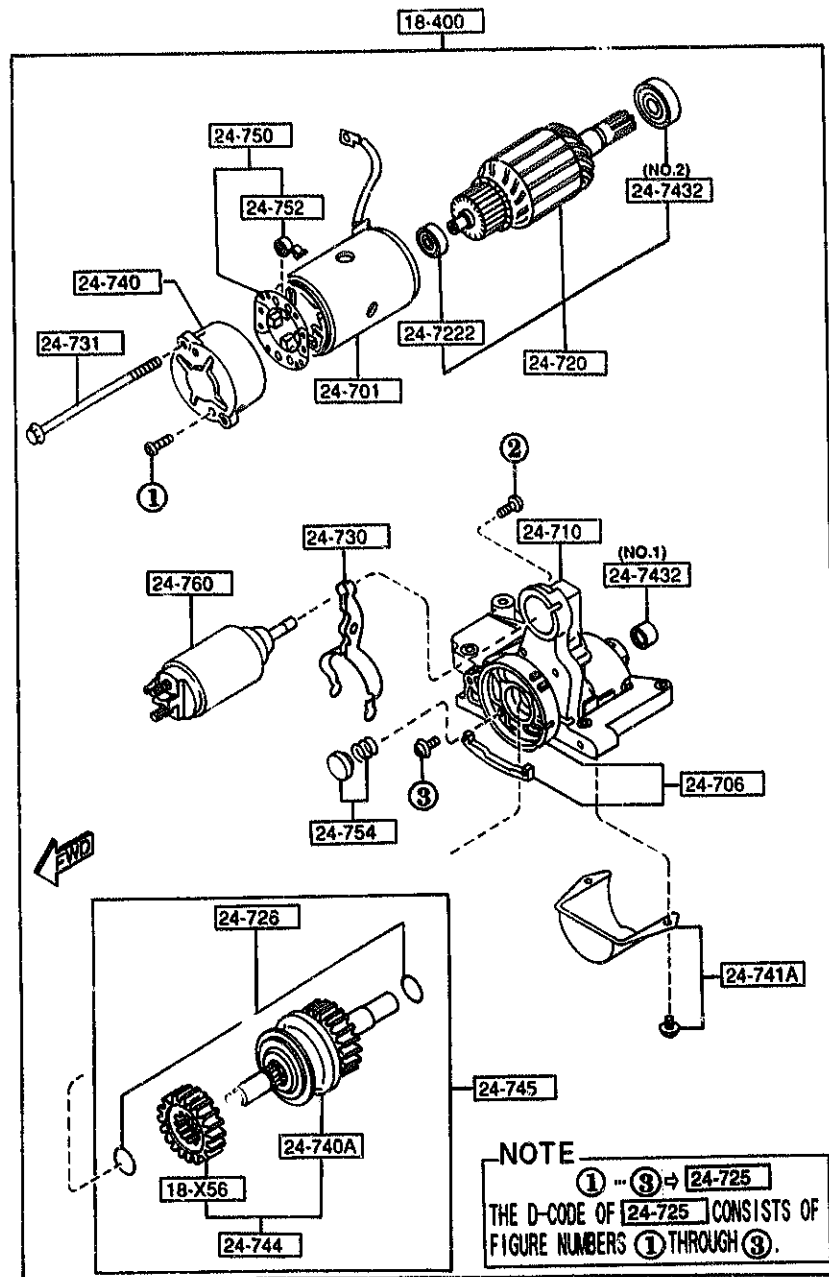


PART NO.	QTY	MODEL/RESTRICTION	MODEL/RESTRICTION	MODEL/RESTRICTION	FRGM-10
24-7432		SLEEVE, BEARING-FRONT			
E356-18-X01	1				
24-744A		BALL, STEEL			
N326-18-X93	1				
24-745		SHAFT, CLUTCH			
N327-18-X20	1				
24-746		GEAR			
N326-18-X57	3				
24-746A		PINION			
N318-18-X25	1				
24-750		HOLDER, BRUSH			
F214-18-X70	1				
24-752		SPRING, BRUSH			
N318-18-X71	2 (ILLUST. NO.1)				
N326-18-X71	2 (ILLUST. NO.2)				
24-753		BRUSH, YOKE			
F214-18-X66	1				
24-760		SWITCH			
N3A1-18-X10	1				
N315-18-X10	1				
24-760A		GASKET			
N326-18-X87	1				
4201 FD333*-302262					

-4201-
4201-

1840 A STARTER
(AT)

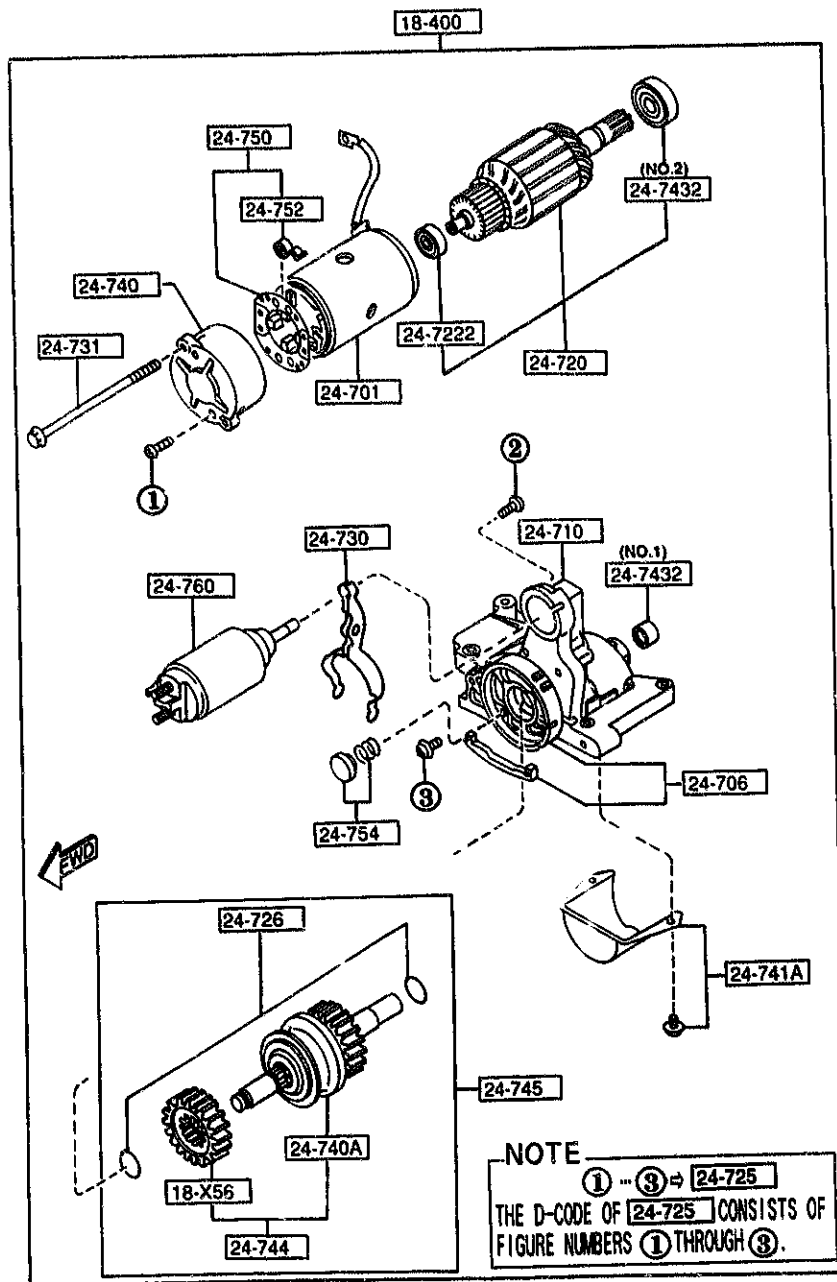
1840 A-1 STARTER
(AT)



PART NO.	QTY	MODEL/RESTRICTION	MODEL/RESTRICTION	MODEL/RESTRICTION	FROM-TO
18-X56		GEAR, INTERNAL-STARTE			
NF01-18-X56	1				
18-400		STARTER			
NF01-18-400B	1				
24-701		YOKE			
NF01-18-X65	1				
24-706		BRACKET, CENTER			
NF01-18-X75	2				
24-710		BRACKET, FRONT			
NF01-18-X00A	1				
24-720		ARMATURE			
NF01-18-X60A	1				
24-722		SLEEVE, BEARING-REAR			
8599-24-722	1				
24-725		SCREW SET			
NF01-18-X95	1				
24-726		WASHER SET			
NF01-18-X92	1				
24-730		LEVER			
NF01-18-X05	1				
24-731		BOLT SET			
NF01-18-X90	1				
24-740		BRACKET, REAR			
8599-24-720	1				
24-740A		SHAFT			
NF01-18-X40	1				
24-741A		COVER SET			
NF01-18-X50	1				

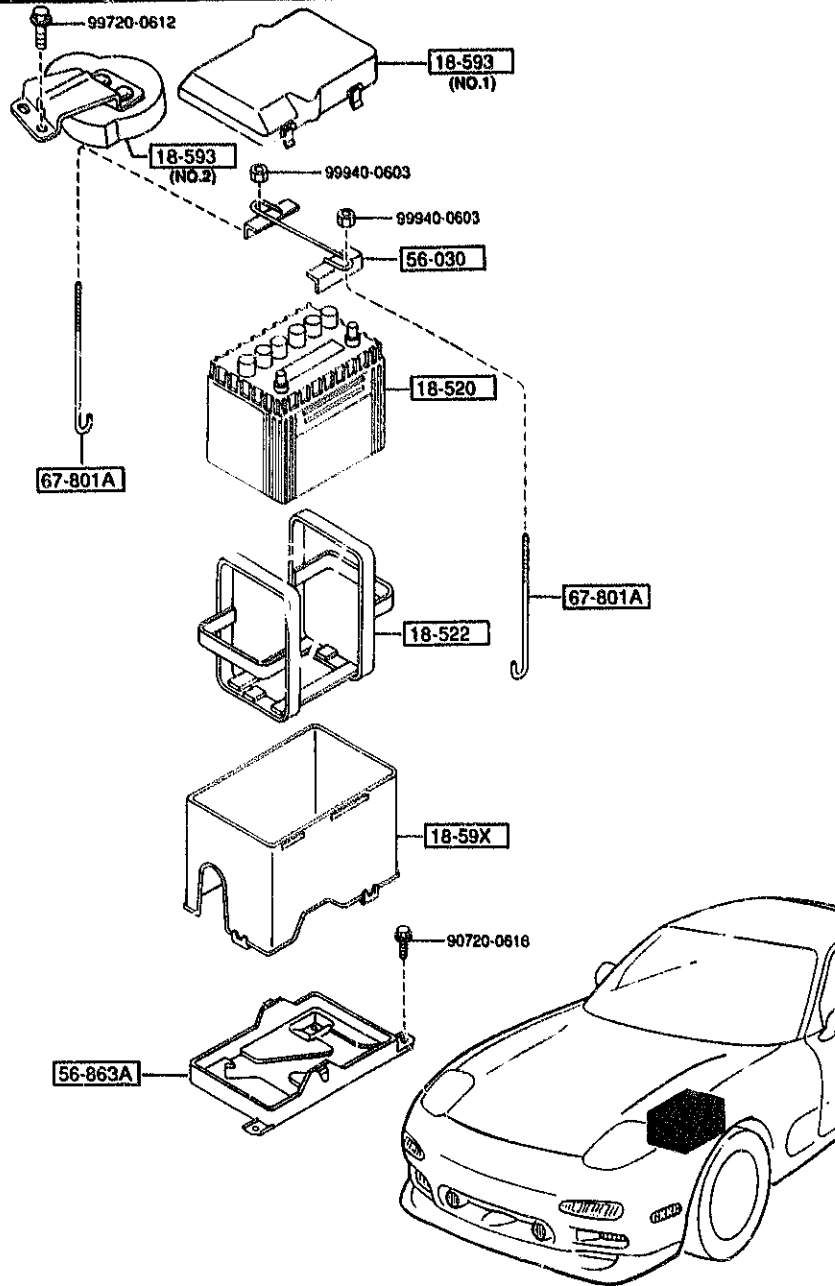
1840 A STARTER
(AT)

1840 A-2 * STARTER
(AT)



PART NO.	QTY	MODEL/RESTRICTION	MODEL/RESTRICTION	MODEL/RESTRICTION	FROM-TO
24-7432		SLEEVE, BEARING-FRONT			
F210-18-X01	1	(ILLUST. NO.1)			
8599-24-743	1	(ILLUST. NO.2)			
24-744		GEAR SET			
NF01-18-X35	1				
24-745		SHAFT, CLUTCH			
NF01-18-X20	1				
24-750		HOLDER, BRUSH			
NF01-18-X70	1				
24-752		SPRING, BRUSH			
8599-24-752	4				
24-754		SPRING SET			
G601-18-X06	1				
24-760		SWITCH			
NF01-18-X10	1				

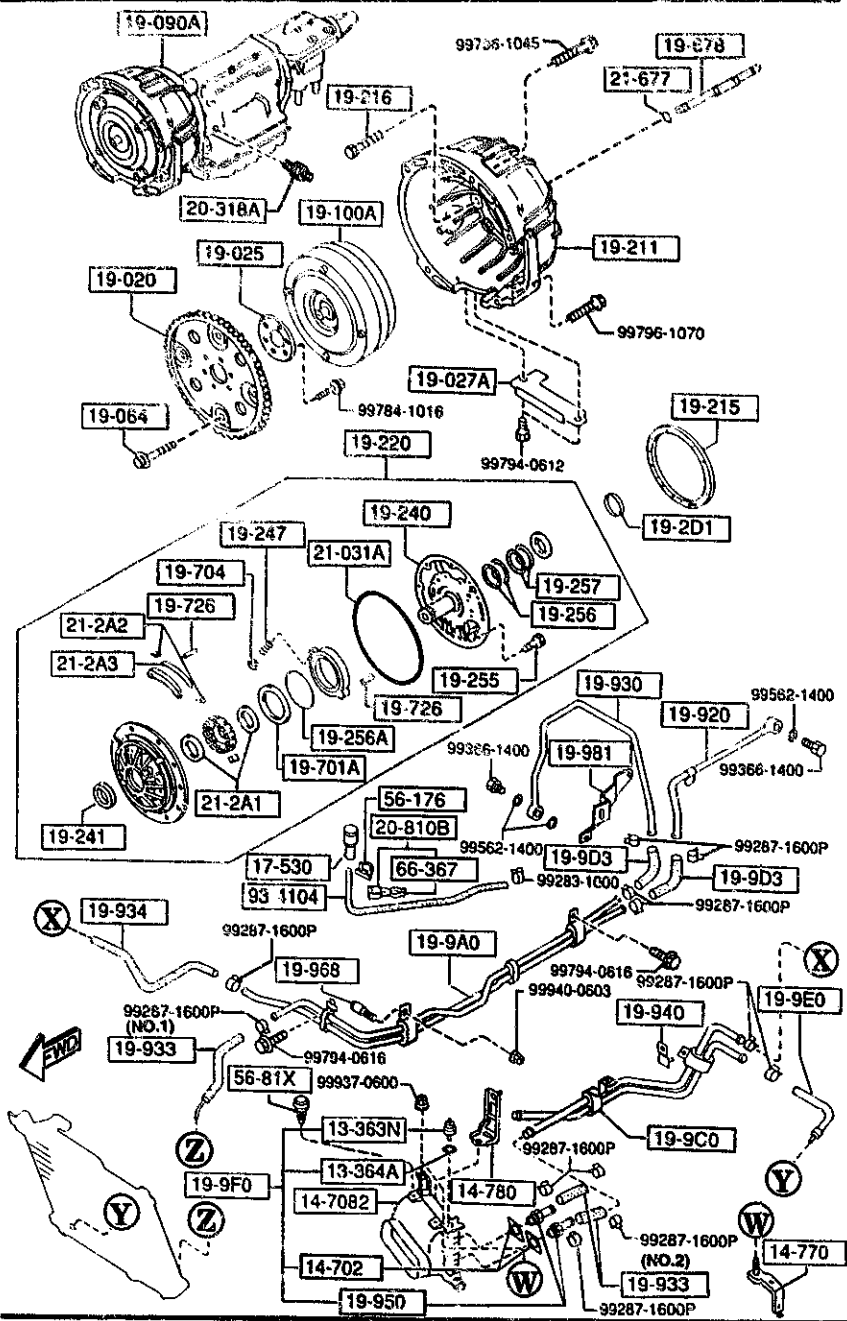
1850 BATTERY



PART NO.	QTY	MODEL/RESTRICTION	MODEL/RESTRICTION	MODEL/RESTRICTION	FROM-TO
18-520		BATTERY			
AM15-18-520A	1	75D26L GS (AT)			
N251-18-520B	1	65D23L GS (MT)			
N252-18-520E	1	65D23L PANASONIC (MT)			
18-522		BAND, BATTERY			
FE50-18-522	1				
18-59X		BOX, BATTERY			
N3A1-18-591E A (N3A1-18-591F)	1				- 3C01
N3A1-18-591F	1				3C01-
18-593		COVER, BOX-BATTERY			
N3A1-18-593B	1	MIYAGAWA KASEI (ILLUST. NO.1)			
N3A2-18-593A	1	(ILLUST. NO.2) (W/O AIR CON.)			
56-030		CLAMP, BATTERY			
H384-56-03XA	1				
56-863A		TRAY, BATTERY			
FD01-56-981A	1				
67-801A		BOLT, CLAMP			
0243-56-231	2				

3C01 FD333*-301464

1910 TORQUE CONVERTER, OIL PUMP & PIPINGS (AUTOMATIC)



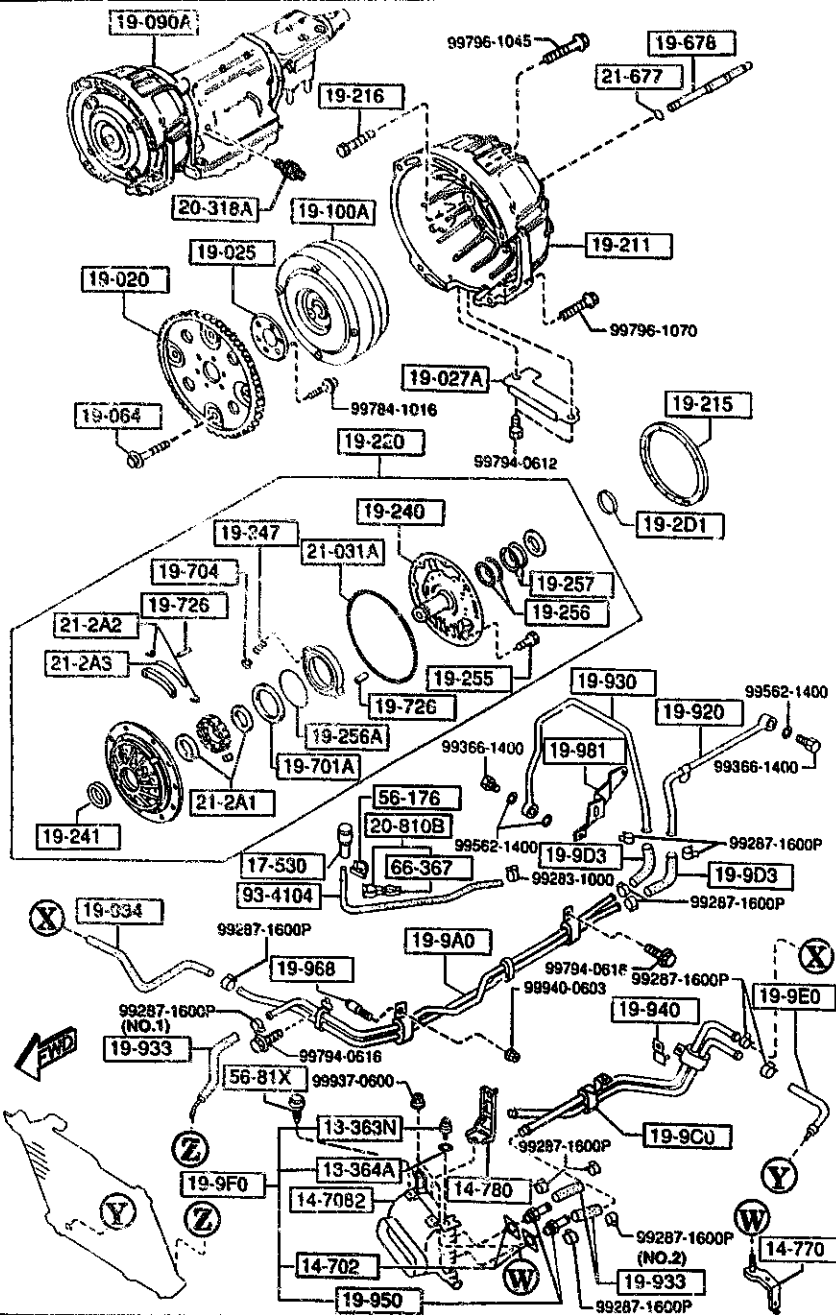
PART NO.	QTY	MODEL/RESTRICTION	MODEL/RESTRICTION	MODEL/RESTRICTION	FROM TO
13-363N		RUBBER, MOUNTING			
NF01-13-363	3				
13-364A		SPACER			
NF01-13-364	3				
14-702		GASKET			
NSA1-14-702	1				-4401
MNSA1-14-702	2				4401-
14-7082		DUCT, OIL COOLER			
NSA2-14-708	1				
14-770		BRACKET, OIL COOLER			
NSA2-14-770B	1				
14-780		BRACKET, OIL COOLER			
NSA2-14-780B	1				
17-530		BREATHER, AIR-T/MISSION			
0884-17-530	1				
19-020		PLATE, DRIVE			
BV40-19-020	1				
19-025		PLATE, BACKING			
0842-19-025	1				
19-027A		COVER, UNDER			
BV65-19-027	1				
19-064		BOLT			
3649-19-064A	4				
19-090A		T/MISSION CPT.			
BV65-19-090G	1				-4120
A (BV65-19-090H)	1				4120-
BV65-19-090H	1				
19-100A		CONVERTER, TORQUE			
BV65-19-100	1				
4120 FD333*-302035 4401 FD333*-303310					

AUFA05

CAT. AUFA05-03

1995-03

1910 TORQUE CONVERTER,OIL PUMP & PIPINGS (AUTOMATIC)



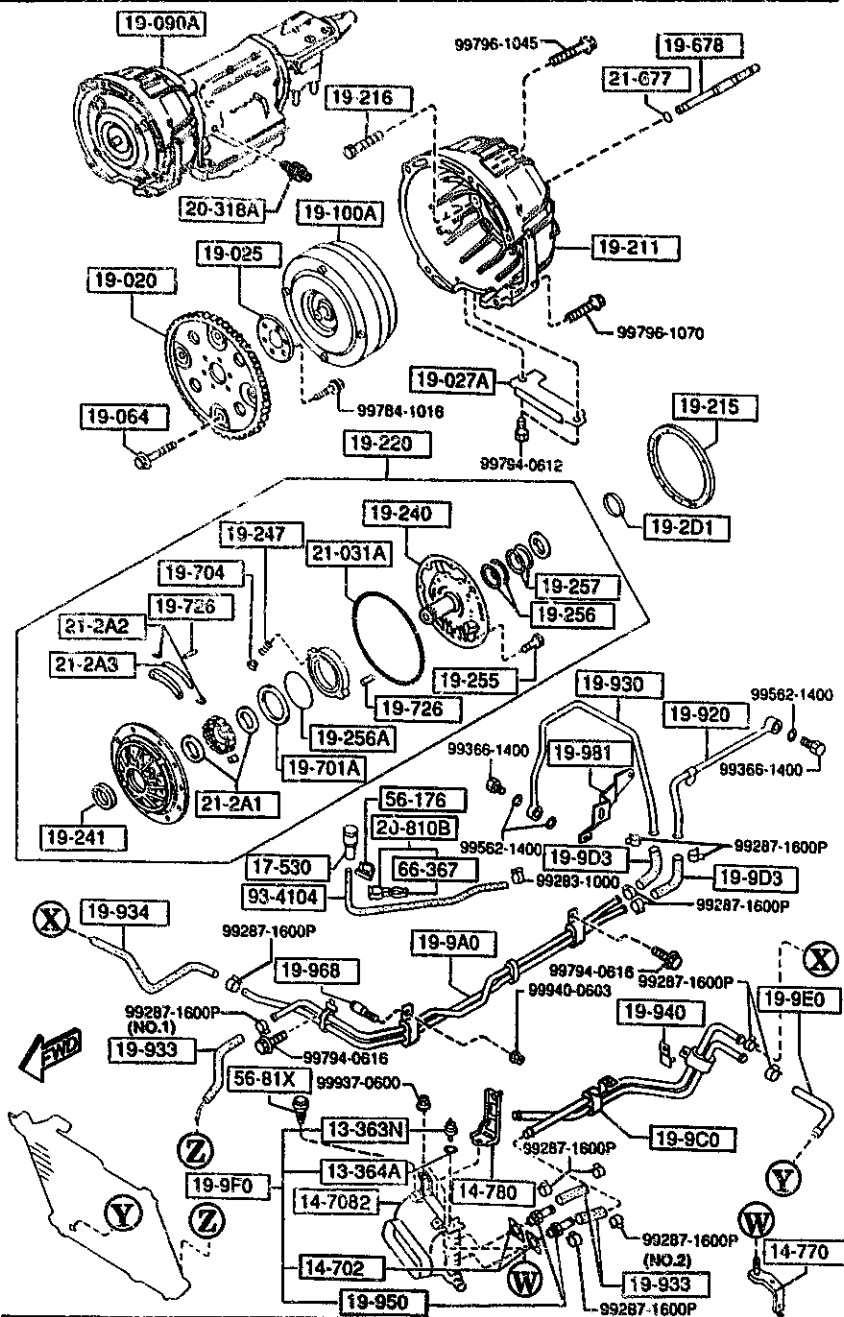
AUFA05

PART NO.	QTY	MODEL/RESTRICTION	MODEL/RESTRICTION	MODEL/RESTRICTION	FROM-TO
19-2D1		WASHER, THRUST			
BV11-19-2D1	1	T=0.7MM			
BV11-19-2D2	1	T=0.9MM			
BV11-19-2D3	1	T=1.1MM			
BV11-19-2D4	1	T=1.3MM			
BV11-19-2D5	1	T=1.5MM			
BV11-19-2D6	1	T=1.7MM			
BV11-19-2D7	1	T=1.9MM			
19-211		HOUSING, CONVERTER			
BV65-19-210	1				
19-215		GASKET, OIL PUMP			
BV60-19-221	1				
19-216		BOLT			
BT40-19-216	10				
19-220		PUMP, OIL			
BV56-19-220	1				
19-240		COVER, OIL PUMP			
BV56-19-240	1				
19-241		SEAL, OIL			
BV11-19-241	1				
19-247		SPRING			
BV11-19-247	1				
19-255		BOLT			
BV11-19-255	8				
19-256		RING, SEAL			
BV11-19-256	2				

CAT. AUFA05-03

1995-03

1910 TORQUE CONVERTER,OIL PUMP & PIPINGS (AUTOMATIC)



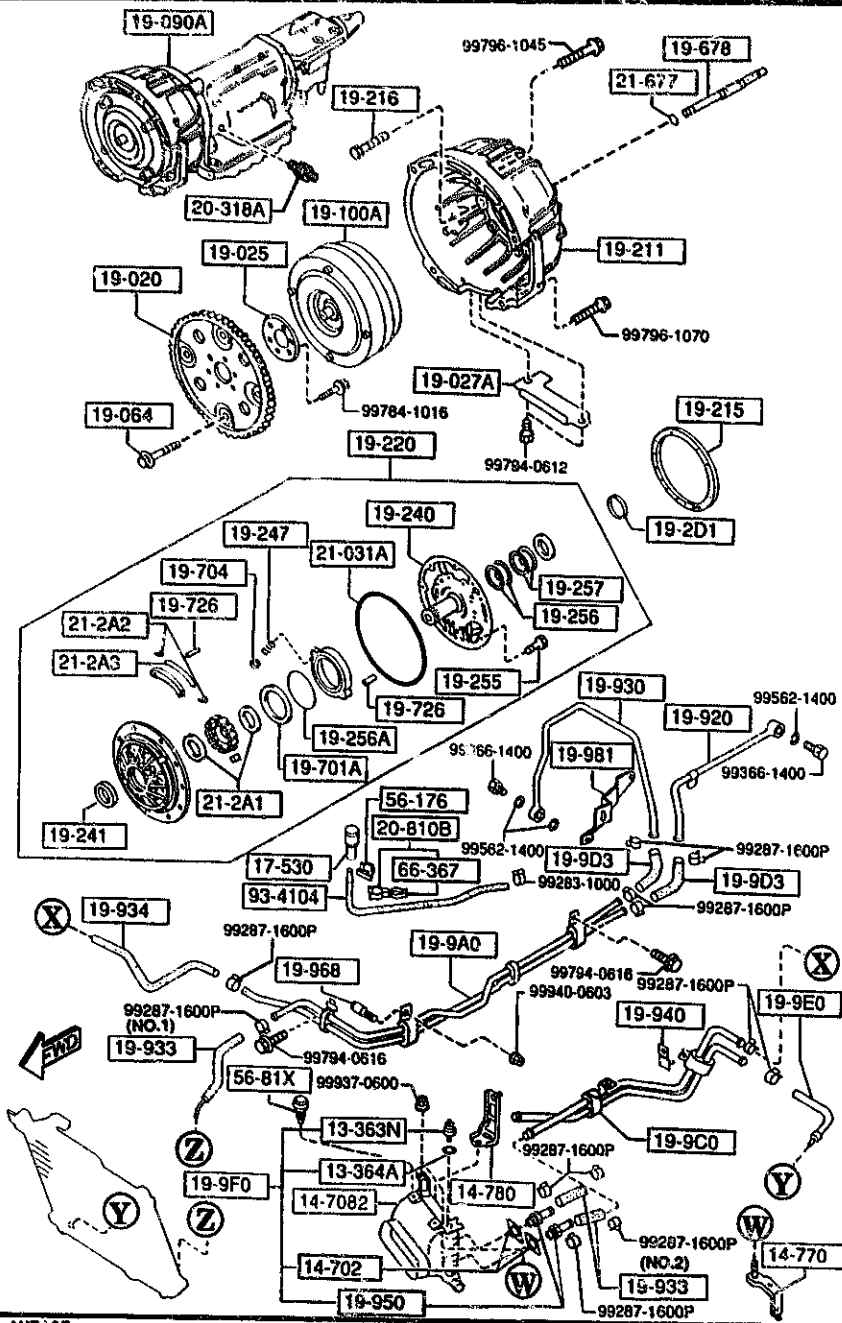
PART NO.	QTY	MODEL/RESTRICTION	MODEL/RESTRICTION	MODEL/RESTRICTION	FROM-TO
19-256A		RING, SEAL			
BV11-19-242	1				
19-257		RING, SEAL			
BV11-19-257	2				
19-678		SHAFT, INPUT			
BV65-21-678	1				
19-731A		SEAL, RING			
BV11-19-701	1				
19-704		RETAINER			
BV11-19-704	1				
19-726		PIVOT, ROLLER			
BV11-19-726	2				
19-9A0		PIPE, OIL-OILPUMP			
BV65-19-9A0	1				
19-9C0		PIPE, OIL			
BV65-19-9C0	1				
19-9D3		HOSE, OIL			
FU31-19-9D3A	2				
19-9E0		HOSE, OIL			
BV65-19-9E0	1				
19-9F0		COOLER, OIL			
BV65-19-9F0A	1				
19-920		PIPE, OIL			
BV65-19-920	1				
19-930		PIPE, OIL			
BV65-19-930	1				
19-933		HOSE, OIL			
BV65-19-933A	1	(ILLUST. NO.1)			

AUFA05

CAT. AUFA05-03

1995-03

1910 TORQUE CONVERTER, OIL PUMP & PIPINGS (AUTOMATIC)



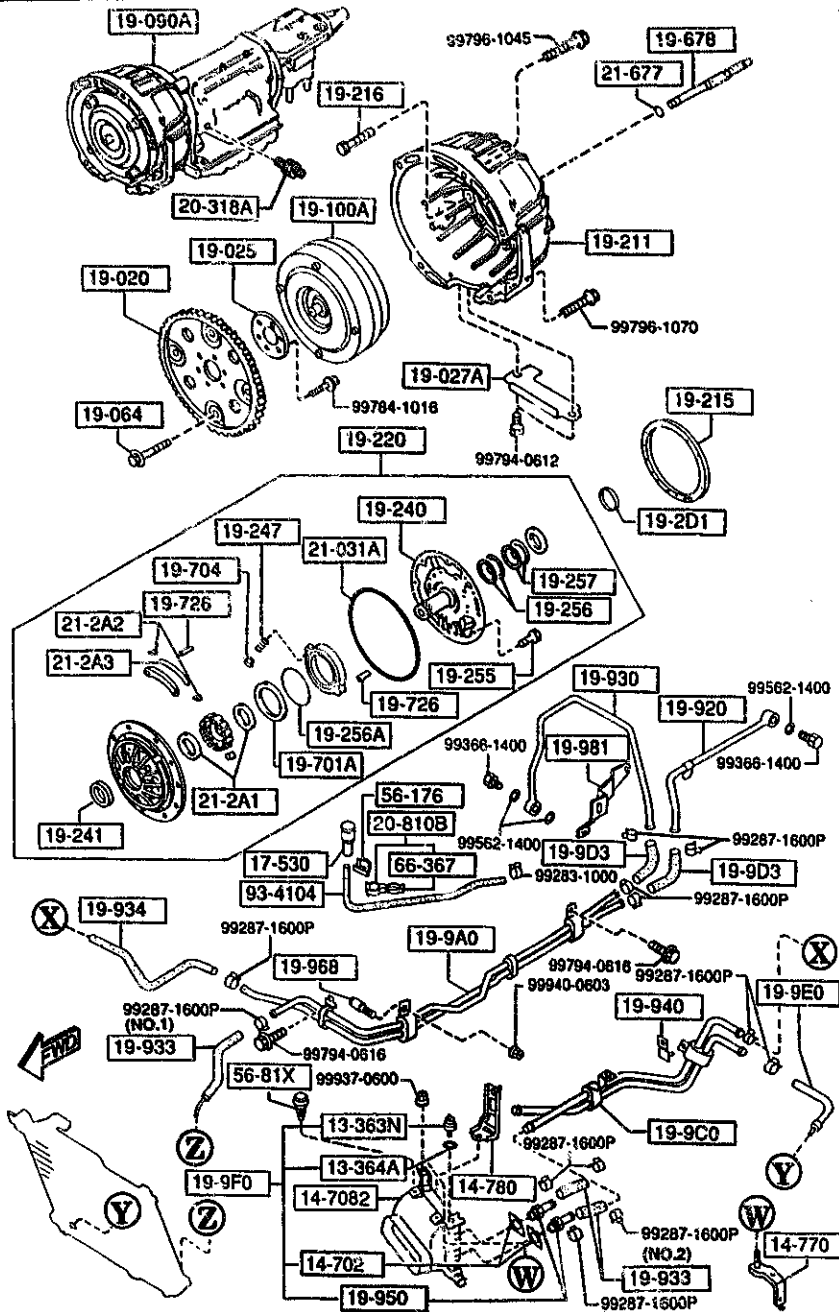
PART NO.	QTY	MODEL/RESTRICTION	MODEL/RESTRICTION	MODEL/RESTRICTION	FROM-TO
CONT'D FU9E-19-933	2	(ILLUST. NO.2)			
19-934		HOSE, OIL			
BV66-19-934	1				
19-940		BRACKET, PIPE			
BV65-19-940	1				
19-950		PIPE, OIL			
BV65-19-950A	2				
19-968		STUD			
BV65-19-968	1				
19-981		BRACKET			
BV65-19-981A	1				
20-318A		BOLT			
BU27-19-858	1				
20-810B		CLIP			
E5D5-20-810	1				
21-031A		RING, 'O'			
BV11-21-031	1				
21-2A1		SPRING, RING			
BV11-21-2A1	2				
21-2A2		SEAL, SIDE			
BV11-21-2A2	2				
21-2A3		SEAL, FLANGE			
BV11-21-2A3	1				
21-677		RING, 'O'			
BV01-21-677	1				
56-176		HOLDER, JACK HANDLE			
FB01-56-176	1				

AUFA05

CAT. AUFA05-83

1995-03

1910 TORQUE CONVERTER,OIL PUMP & PIPINGS (AUTOMATIC)

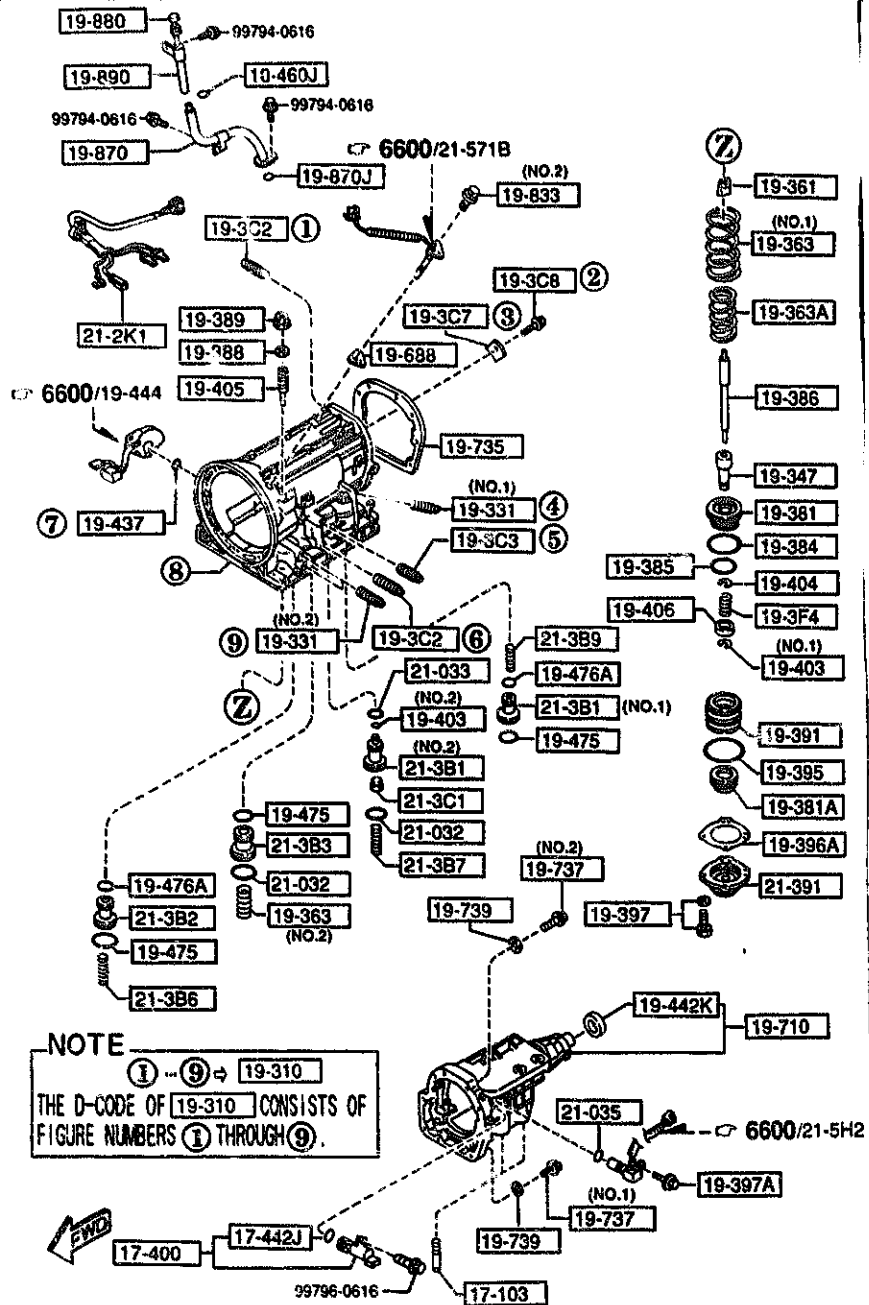


AUFA05

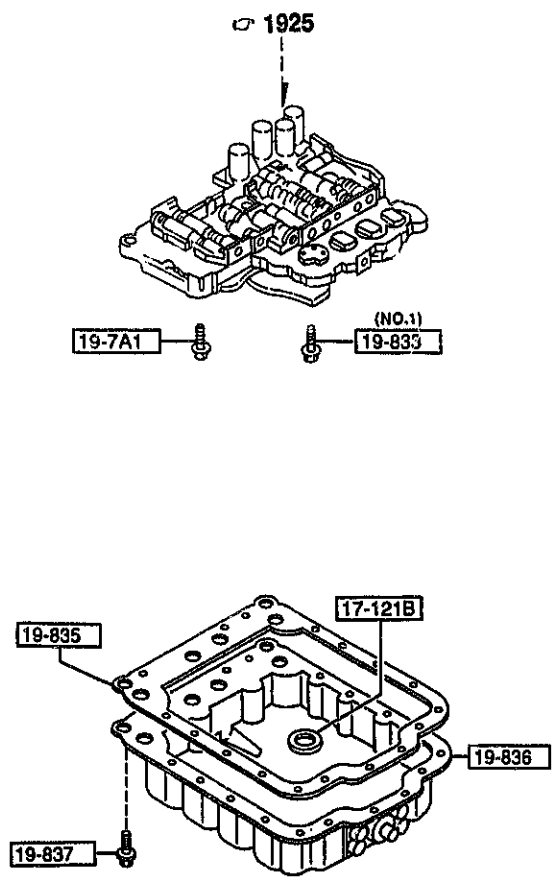
PART NO.	QTY	MODEL/RESTRICTION	MODEL/RESTRICTION	MODEL/RESTRICTION	FROM-TO
56-81X		FASTENER, DUCT PANEL			
FB01-56-81X	3				
66-367		CLIP			
GA98-66-367A	1				
93-4104		HOSE			
99340-05540	1				

CAT. AUFA05-03

1995-03

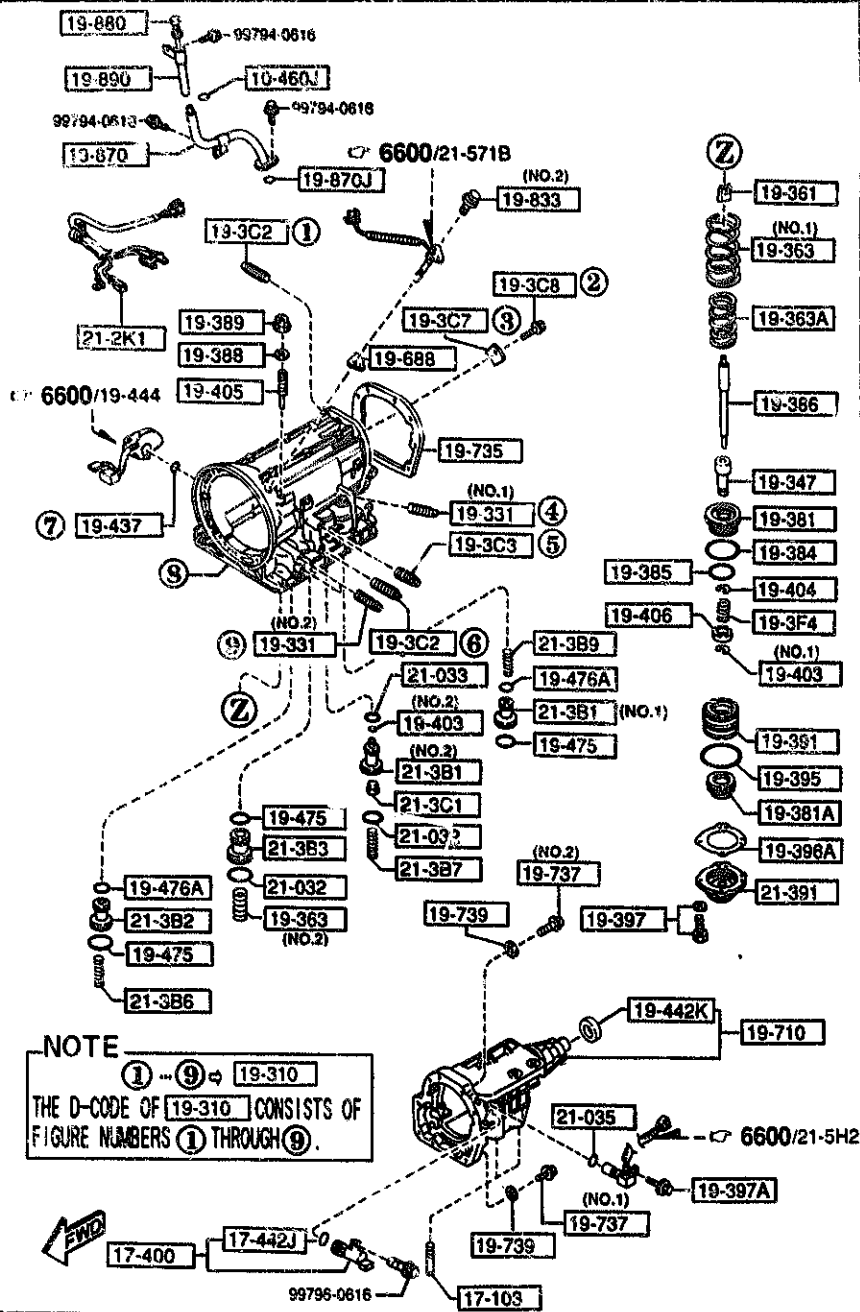


NOTE
 ① ... ⑨ ⇒ 19-310
 THE D-CODE OF 19-310 CONSISTS OF
 FIGURE NUMBERS ① THROUGH ⑨.



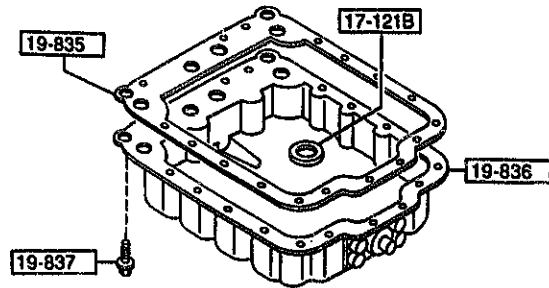
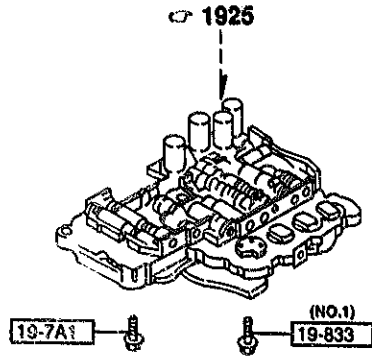
← FWD

1920 TRANSMISSION CASE & MAIN CONTROL SYSTEM (AUTOMATIC) (1/2)



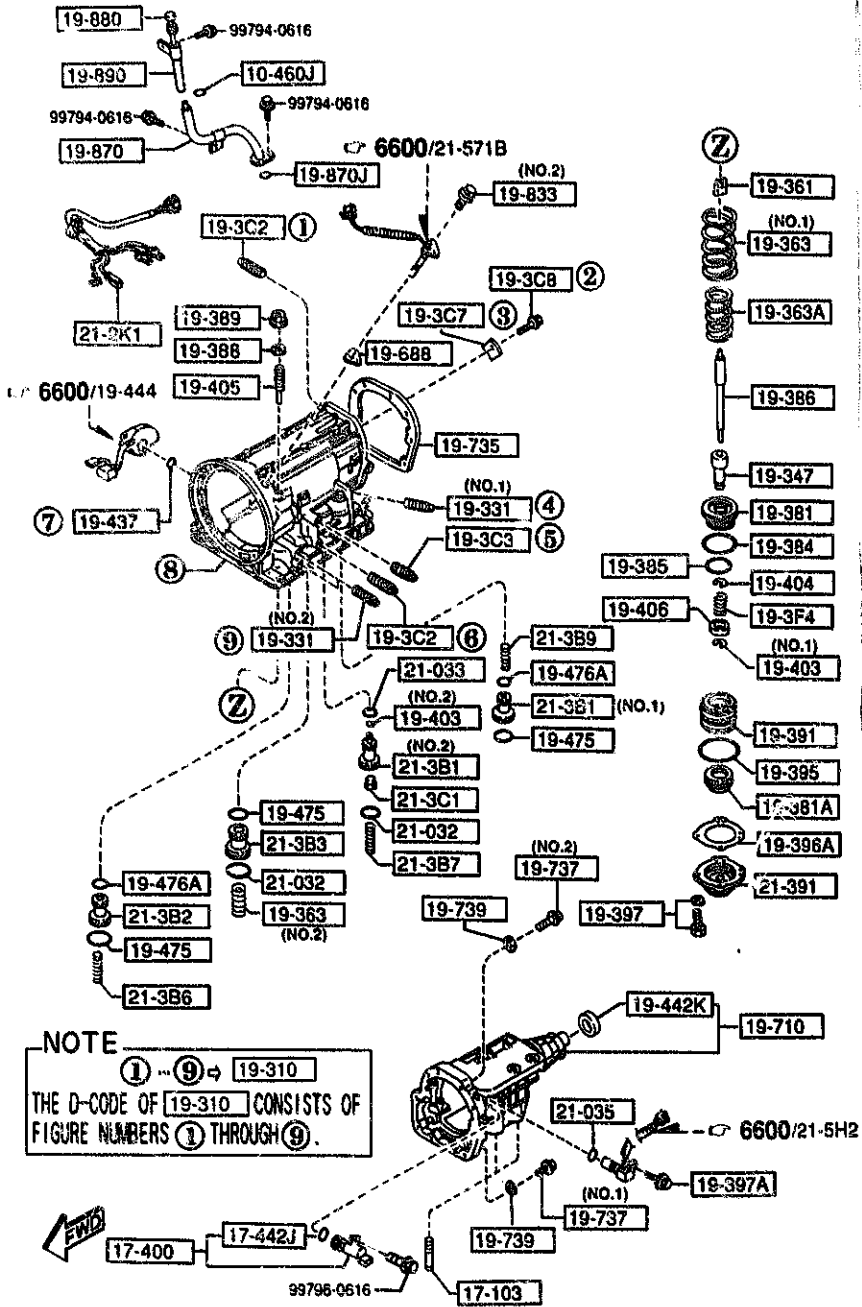
NOTE
 ① ... ⑨ → 19-310
 THE D-CODE OF 19-310 CONSISTS OF
 FIGURE NUMBERS ① THROUGH ⑨.

PART NO.	QTY	MODEL/RESTRICTION	MODEL/RESTRICTION	MODEL/RESTRICTION	FROM TO
10-460J		RING, 'O'			
99541-01201	1				
17-103		BOLT			
R526-17-103	2				
17-121B		MAGNET			
F401-17-121	1				
17-400		GEAR SET, DRIVEN-SPEED			
BV65-17-400	1				
17-442J		RING, 'O'			
1011-17-443	1				
19-3C2		PLUG			
BV11-19-3C2	2				
19-3C3		PLUG			
BV11-19-3C3	1				
19-3C7		PLATE, BAFFLE			
BV11-19-3C7	1				
19-3C8		BOLT, BAFFLE PLATE			
BV11-19-3C8	1				
19-3F4		SPRING, PISTON RETURN			
BV11-19-3F4	1				
19-310		CASE, T/MISSION			
BV56-19-310A	1				
19-331		PLUG, SQUARE HEAD			
BV11-19-331	1	(ILLUST. NO. 1)			
0338-19-331A	3	(ILLUST. NO. 2)			
19-347		RETAINER, SERVO SPRING			
BV11-19-347	1				



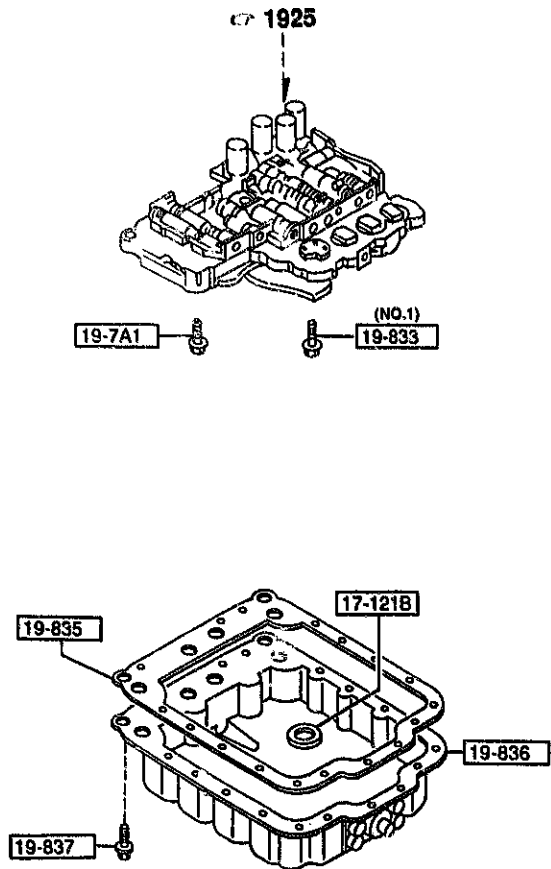
PART NO.	QTY	MODEL/RESTRICTION	MODEL/RESTRICTION	MODEL/RESTRICTION	FROM-TO
19-361		STRUT, BAND			
BV11-19-361	1				
19-363		SPRING, PISTON RETURN			
BV11-19-363	1 (ILLUST. NO.1)				
BV65-19-363	1 (ILLUST. NO.2)				
19-363A		SPRING, PISTON RETURN			
BV11-19-363	1				
19-381		PISTON, BAND SERVO			
BV11-19-381	1				
19-381A		PISTON, BAND SERVO			
BV65-21-321	1				
19-384		SEAL, PISTON			
BV11-19-384	1				
19-385		SEAL, PISTON			
BV11-19-385	1				
19-386		STEM, PISTON			
BV11-19-386	1				
19-388		WASHER, PLAIN			
BV11-19-388	1				
19-389		NUT			
BV11-19-389	1				
19-391		RETAINER, SERVO			
BV11-19-391	1				
19-395		RING, 'O'			
0338-19-395	1				
19-396A		GASKET			
BV11-19-3J4	1				

1920 TRANSMISSION CASE & MAIN CONTROL SYSTEM (AUTOMATIC) (1/2)



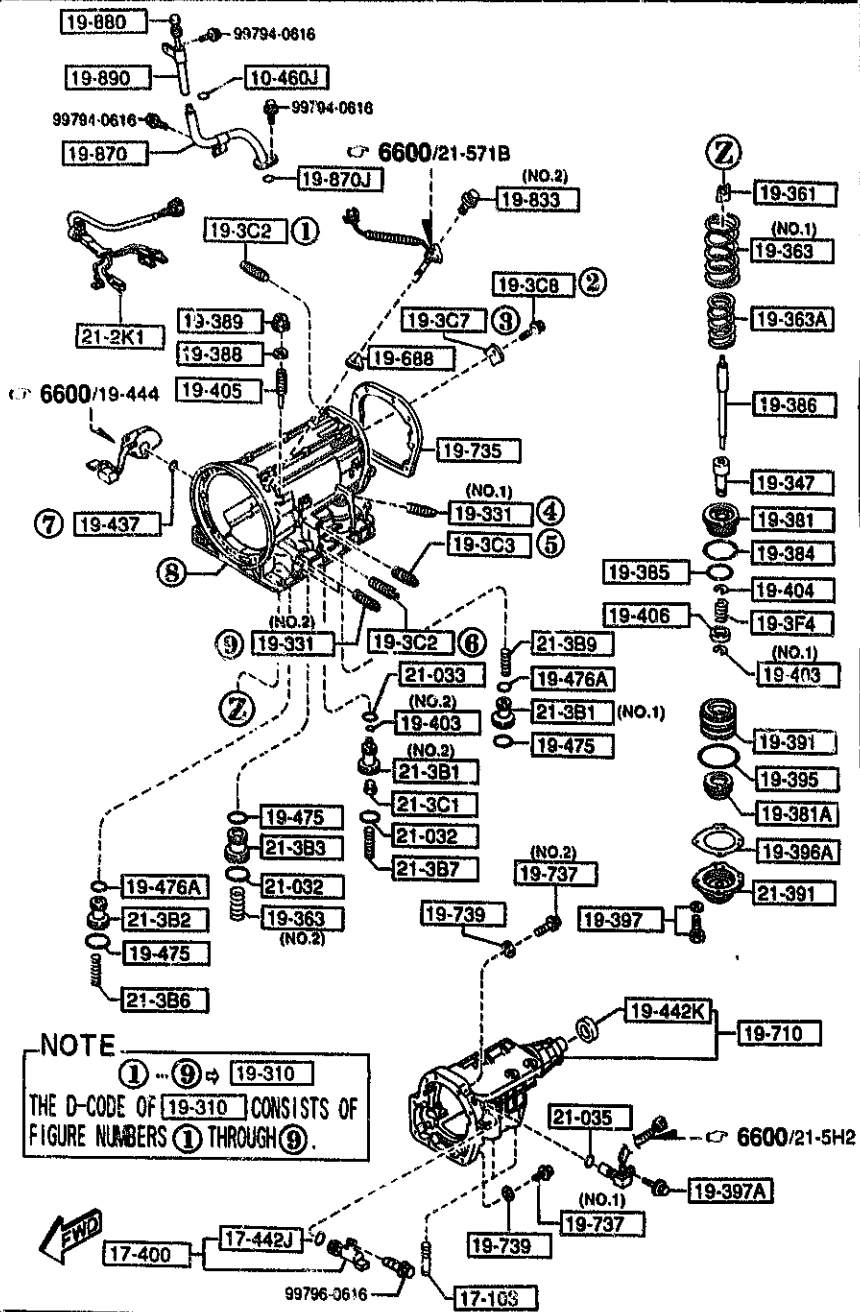
NOTE
 ① ... ⑨ ⇒ 19-310
 THE D-CODE OF 19-310 CONSISTS OF
 FIGURE NUMBERS ① THROUGH ⑨.

PART NO.	QTY	MODEL/RESTRICTION	MODEL/RESTRICTION	MODEL/RESTRICTION	FROM-TO
19-397		BOLT			
BV11-19-397	4				
19-397A		BOLT			
0338-19-397	1				
19-403		RING, SNAP-PISTON STE M LOW			
BV11-19-403	1	(ILLUST. NO.1)			
BV35-19-403	1	(ILLUST. NO.2)			
19-404		RING, SNAP-PISTON STE M UP			
BV11-19-404	1				
19-405		PIN			
BV11-19-405	1				
19-406		RETAINER, SPRING-PISTN STEM			
BV11-19-406	1				
19-437		SEAL, MANUAL SHAFT LE VER			
BV11-19-437	1				
19-442K		SEAL, OIL			
BV65-19-437	1				
19-475		SEAL, 'O'RING			
BV11-19-475	3				
19-476A		RING, 'O'			
BV11-19-476	2				
19-688		GASKET, GOVERNOR			
BV56-19-688	1				
19-7A1		BOLT			
BV11-19-7A3	7				
19-710		HOUSING, EXTENSION			
BV65-19-710	1				



PART NO.	QTY	MODEL/RESTRICTION	MODEL/RESTRICTION	MODEL/RESTRICTION	FROM-TO
19-735		GASKET, EXTENSION			
BV60-19-735	1				
19-737		BOLT			
BV12-19-737	3 (ILLUST. NO.1)				
BV40-19-737	5 (ILLUST. NO.2)				
19-739		WASHER, PLAIN			
0338-19-739	10				
19-833		BOLT, CONTROL VALVE			
BV11-19-833	13 (ILLUST. NO.1)				
BV56-19-833	2 (ILLUST. NO.2)				
19-835		GASKET, OIL PAN			
BV60-19-835	1				
19-836		PAN, OIL			
BV65-19-836	1				
19-837		BOLT, OIL PAN			
0338-19-837	18				
19-870		TUBE, OIL LEVEL			
BV65-19-870	1				
19-870J		RING, 'O'			
99541-01601	1				
19-880		GAUGE, OIL LEVEL			
BV45-19-880	1				
19-890		TUBE, OIL FILTER-UPPER			
BV65-19-890	1				
21-032		RING, 'O'-UP. ACCUM 2ND PIS			
BV11-21-032	2				
21-033		RING, 'O'-ACCUM. CLUTCH			
BV11-21-033	1				

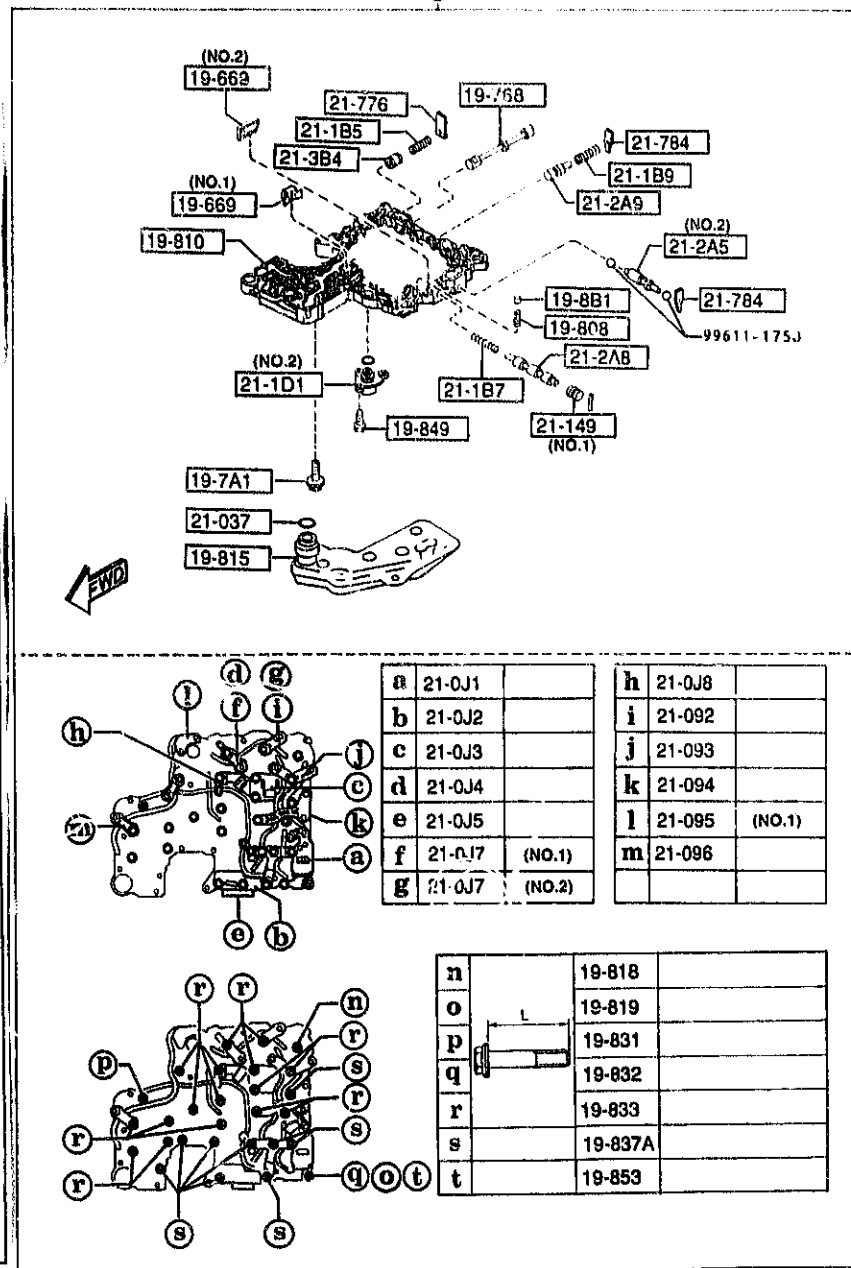
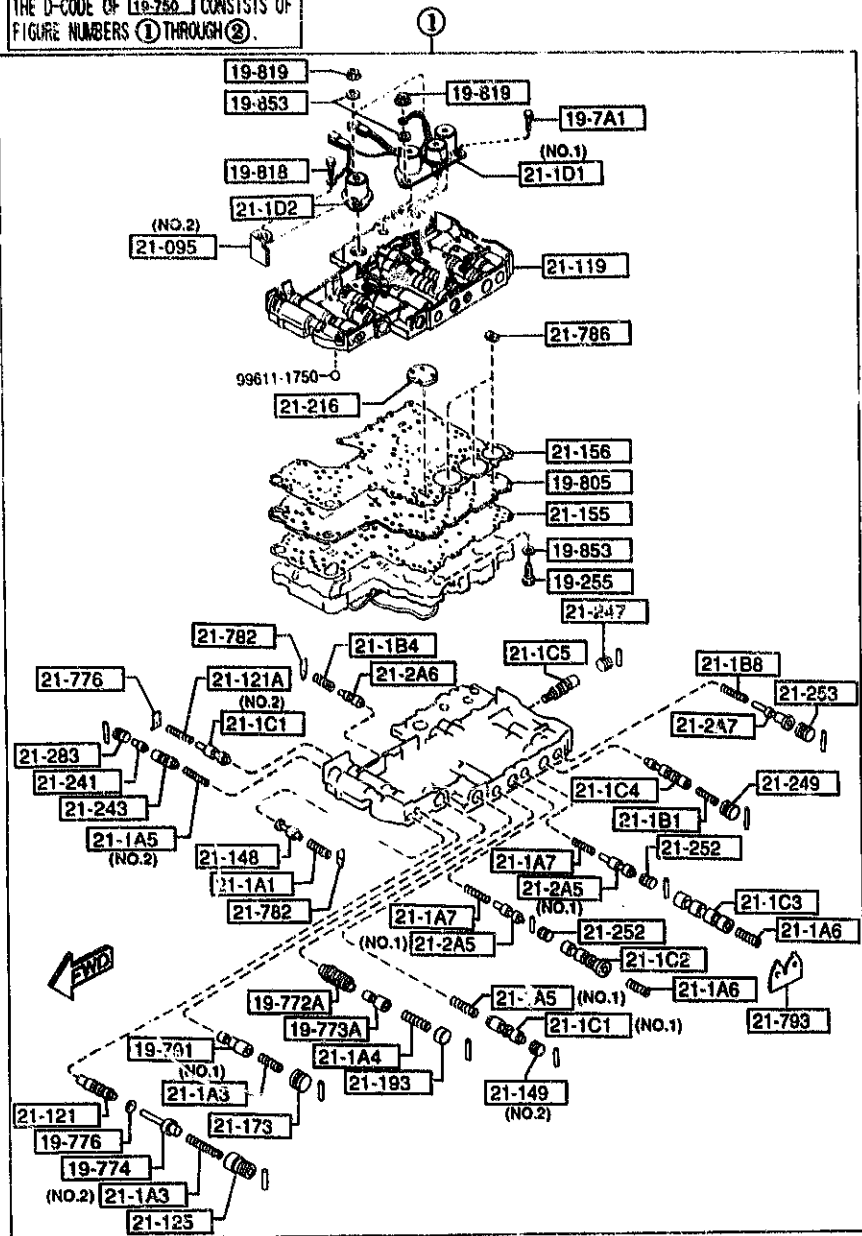
1920 TRANSMISSION CASE & MAIN CONTROL SYSTEM (AUTOMATIC) (1/2)



PART NO.	QTY	MODEL/RESTRICTION	MODEL/RESTRICTION	MODEL/RESTRICTION	FROM-TO
21-035		RING, 10"-ACCUM. FOR. CLUTCH			
BV11-21-035	1				
21-2K1		TERMINAL			
BV65-21-2K1	1				
21-3B1		PISTON, ACCUMULATOR			
BV11-21-3B1	1	(ILLUST. NO. 1)			
BV65-21-3B1	1	(ILLUST. NO. 2)			
21-3B2		PISTON, ACCUMULATOR			
BV11-21-3B2	1				
21-3B3		PISTON, ACCUMULATOR			
BV11-21-3B3	1				
21-3B6		SPRING, ACCUMULATOR			
BV11-21-3B6	1				
21-3B7		SPRING, ACCUMULATOR			
BV65-21-3B7	1				
21-3B9		SPRING, PISTON RETURN			
BV11-21-3B9	1				
21-3C1		PET, ACCUM			
BV40-21-3C1	1				
21-391		RETAINER, SERVO			
BV65-21-391	1				

NOTE

①...③ → [19-780]
 THE D-CODE OF [19-750] CONSISTS OF
 FIGURE NUMBERS ① THROUGH ③.

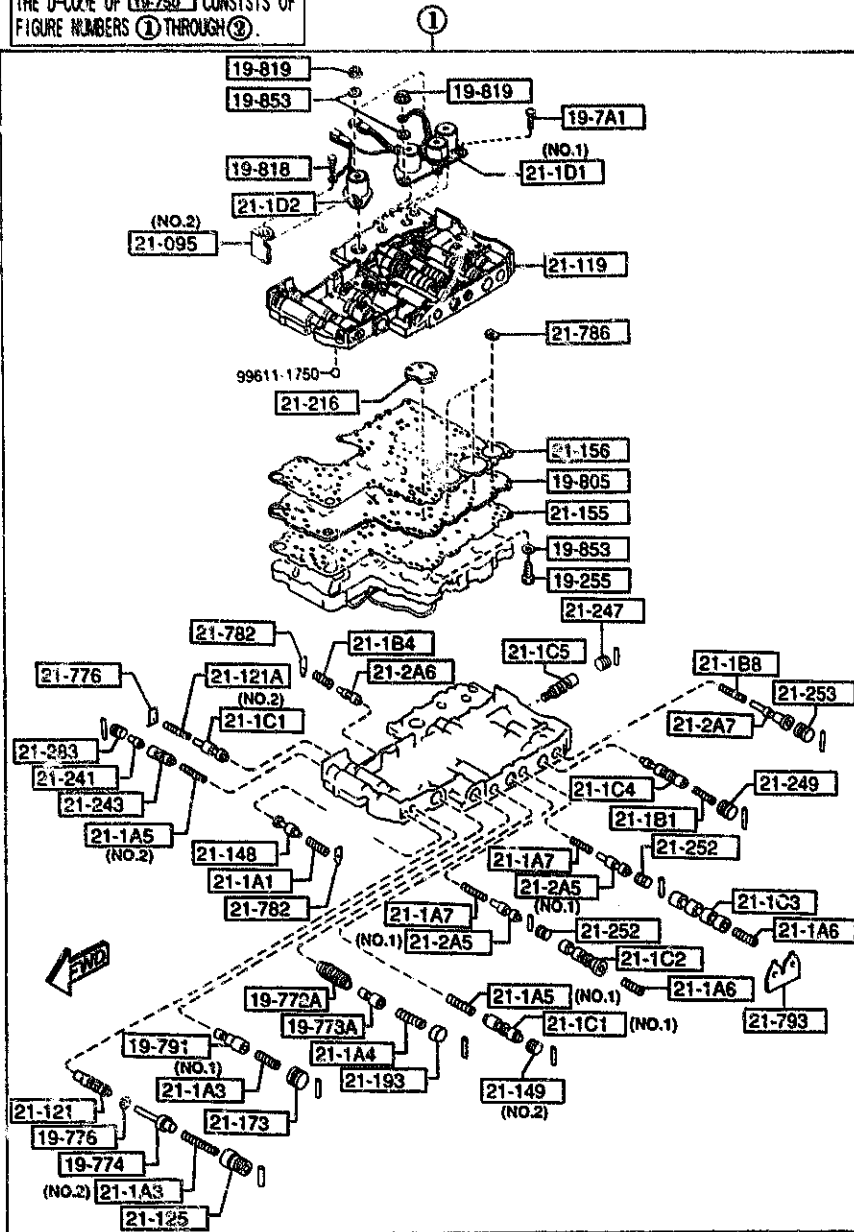


1925 CONTROL VALVE (AUTOMATIC)

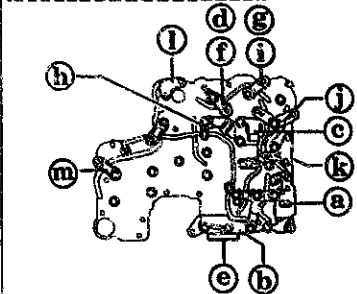
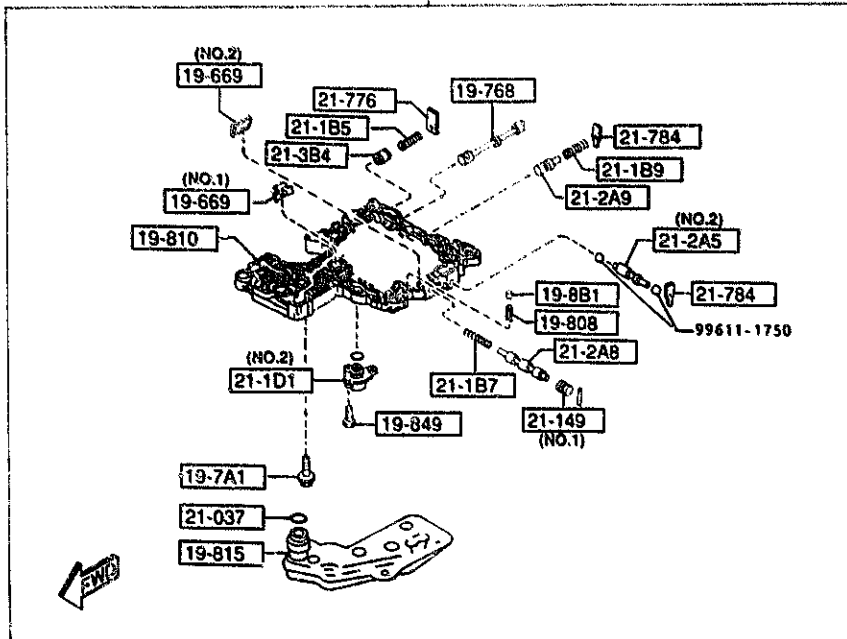
(1/2)

NOTE

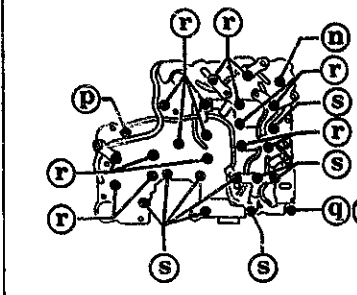
①-③ → 19-750
 THE D-CODE OF 19-750 CONSISTS OF
 FIGURE NUMBERS ① THROUGH ③.



PART NO.	QTY	MODEL/RESTRICTION	MODEL/RESTRICTION	MODEL/RESTRICTION	FROM-TO
19-255		BOLT			
BV50-19-255	1				
19-669		FILTER, GOVERNOR			
BV11-19-669	1 (ILLUST. NO.1)				
BV50-19-669	1 (ILLUST. NO.2)				
19-7A1		BOLT			
BV11-19-7A1	2				
19-750		VALVE, CONTROL			
BV65-19-750A	1				
19-768		VALVE, MANUAL			
BV11-19-768	1				
19-772A		SLEEVE, ACCUMULATOR			
BV11-19-772	1				
19-773A		VALVE, ACCUMULATOR			
BV11-19-773	1				
19-774		PLUG, REGULATOR			
BV45-19-774	1				
19-776		SHEET, SPRING			
BV11-19-776	1				
19-791		VALVE, MODIFIER			
BV11-19-791	1				
19-8B1		VALVE, ORIFICE CHECK			
BV30-19-8B1	1				
19-805		PLATE, SEPARATOR			
BV56-19-805	1				
19-808		SPRING			
0338-19-808	1				



a	21-0J1		h	21-0J8	
b	21-0J2		i	21-092	
c	21-0J3		j	21-093	
d	21-0J4		k	21-094	
e	21-0J5		l	21-095 (NO.1)	
f	21-0J7 (NO.1)		m	21-096	
g	21-0J7 (NO.2)				

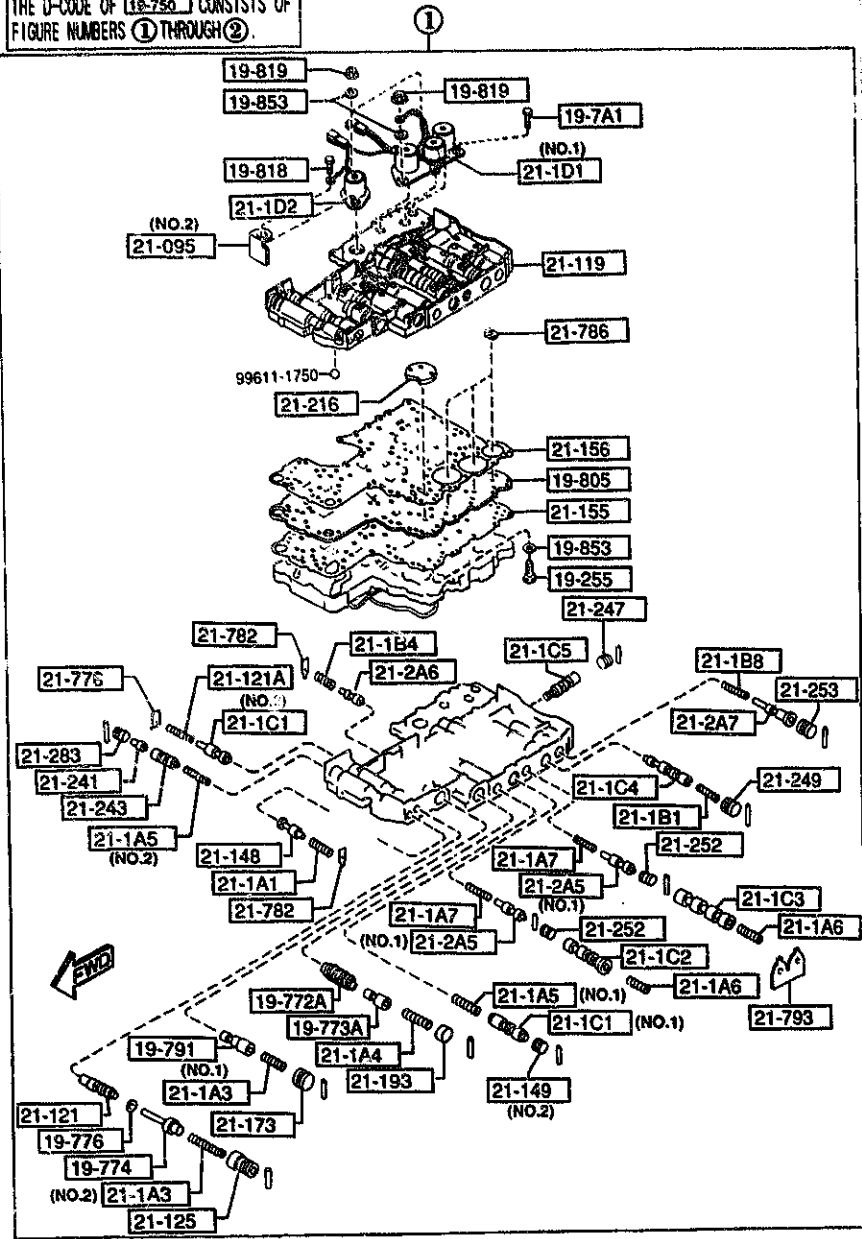


n		19-818	
o		19-819	
p		19-831	
q		19-832	
r		19-833	
s		19-837A	
t		19-853	

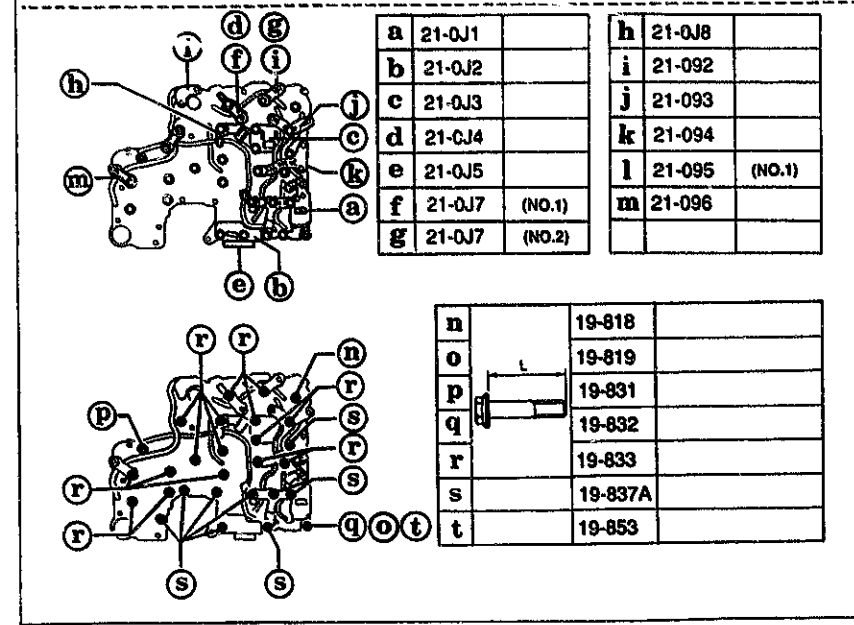
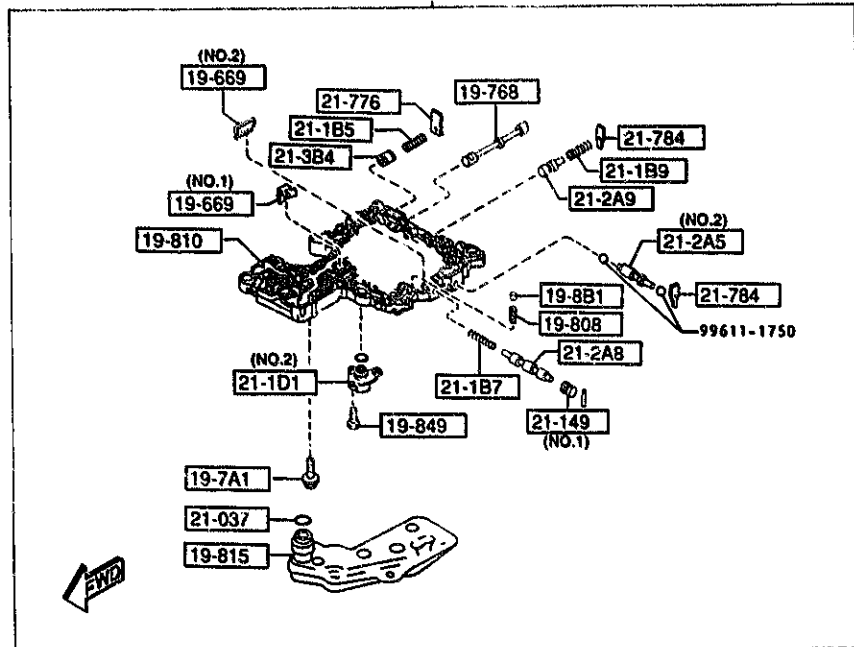
PART NO.	QTY	MODEL/RESTRICTION	MODEL/RESTRICTION	MODEL/RESTRICTION	FROM-TO
19-810		BODY, LWR-CONT. VALVE			
BV40-19-810	1				
19-815		STRAINER, OIL			
BV65-19-815	1				
19-818		BOLT			
BV11-19-818	2				
19-819		NUT			
BV11-19-819	4				
19-831		BOLT, CONTROL VALVE			
BV11-19-831	1				
19-832		BOLT, CONTROL VALVE			
BV50-19-832	1				
19-835		BOLT, CONTROL VALVE			
BV11-19-835	16				
19-837A		BOLT, CONTROL VALVE			
BV11-19-837	9				
19-849		BOLT			
BV11-19-849	2				
19-853		WASHER			
BV11-19-853	6				
21-0J1		CLIP, HARNESS			
BV50-21-0J1	1				
21-0J2		CLIP, HARNESS			
BV45-19-0J2	1				
21-0J3		CLIP, HARNESS			
BV11-21-0J3	1				
21-0J4		CLIP, HARNESS			
BV11-21-0J4	1				

1925 CONTROL VALVE (AUTOMATIC)

NOTE
 ① ② → 19-750
 THE D-CODE OF 19-750 CONSISTS OF
 FIGURE NUMBERS ① THROUGH ②.



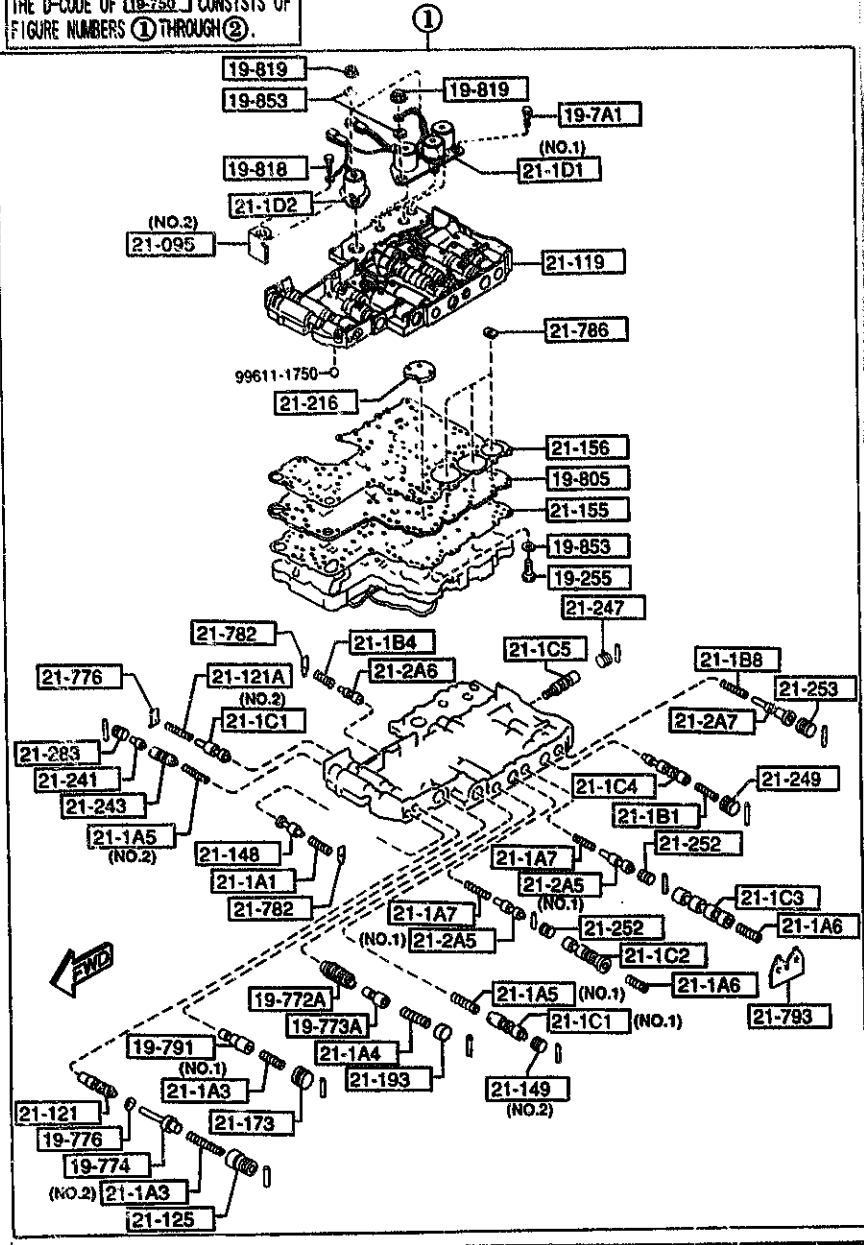
PART NO.	QTY	MODEL/RESTRICTION	MODEL/RESTRICTION	MODEL/RESTRICTION	FROM-TO
21-0J5		CLIP, HARNESS			
BV11-21-0J5	1				
21-0J7		BRACKET, TUBE			
BV11-21-0J7A	1	(ILLUST. NO.1)			
BV56-21-0J7	1	(ILLUST. NO.2)			
21-0J8		BRACKET, TUBE			
BV11-21-0J8	1				
21-037		RING, 'O'			
BV11-21-037	1				
21-092		BRACKET, TUBE			
BV11-21-092	1				
21-093		BRACKET, TUBE			
BV11-21-093	1				
21-094		BRACKET, TUBE			
BV35-21-094	1				
21-095		BRACKET			
BV11-21-095	1	(ILLUST. NO.1)			
BV56-21-095	1	(ILLUST. NO.2)			
21-096		BRACKET, TUBE			
BV11-21-096	1				
21-1A1		SPRING, VALVE			
BV65-21-1A1	1				
21-1A3		SPRING, VALVE			
BV11-21-1A3	1	(ILLUST. NO.1)			
BV40-21-1A3	1	(ILLUST. NO.2)			
21-1A4		SPRING, VALVE			
BV11-21-1A4	1				
21-1A5		SPRING, VALVE			



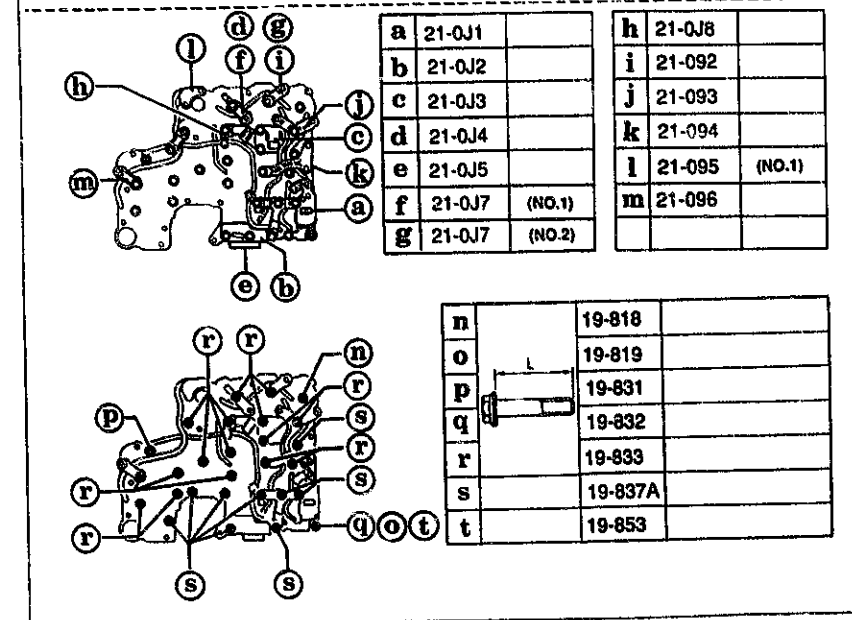
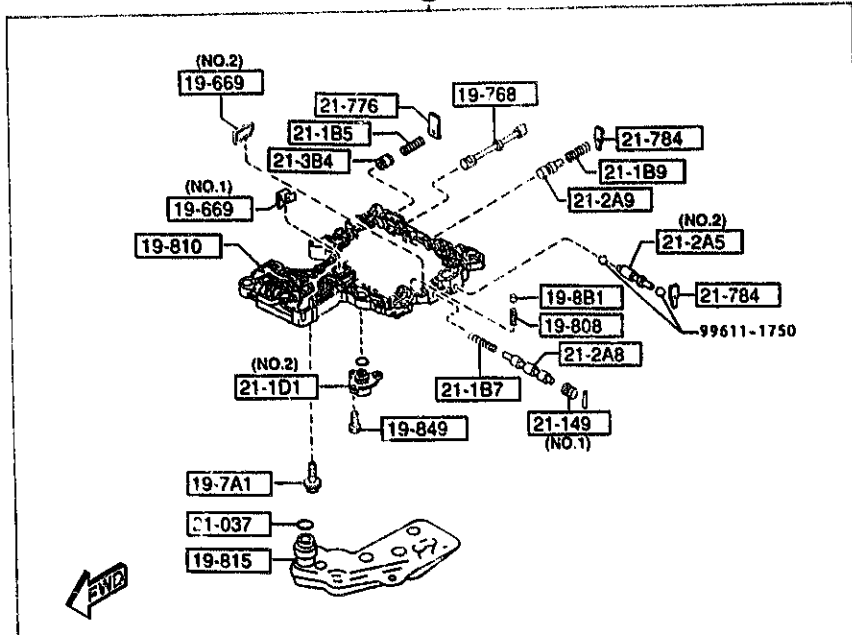
PART NO.	QTY	MODEL/RESTRICTION	MODEL/RESTRICTION	MODEL/RESTRICTION	FROM-TO
CONT'D					
BV11-21-1A5	1	(ILLUST. NO.1)			
BV56-21-1A5	1	(ILLUST. NO.2)			
21-1A6		SPRING, VALVE			
BV11-21-1A6	2				
21-1A7		SPRING, VALVE			
BV11-21-1A7	2				
21-1B1		SPRING, VALV.			
BV11-21-1B1	1				
21-1B4		SPRING, VALVE			
BV11-21-1B4	1				
21-1B5		SPRING, VALVE			
BV12-21-1B5	1				
21-1B7		SPRING, VALVE			
BV11-21-1B7	1				
21-1B8		SPRING, VALVE			
BV45-21-1B8	1				
21-1B9		SPRING, VALVE			
BV11-21-1B9	1				
21-1C1		VALVE, SHIFT			
BV11-21-1C1	1	(ILLUST. NO.1)			
BV40-21-1C1	1	(ILLUST. NO.2)			
21-1C2		VALVE, SHIFT			
BV11-21-1C2	1				
21-1C3		VALVE, SHIFT			
BV11-21-1C3	1				
21-1C4		VALVE, SHIFT			
BV11-21-1C4	1				

1925 CONTROL VALVE (AUTOMATIC)

NOTE
 ① → ② → 19-750
 THE D-CODE OF 19-750 CONSISTS OF
 FIGURE NUMBERS ① THROUGH ②.



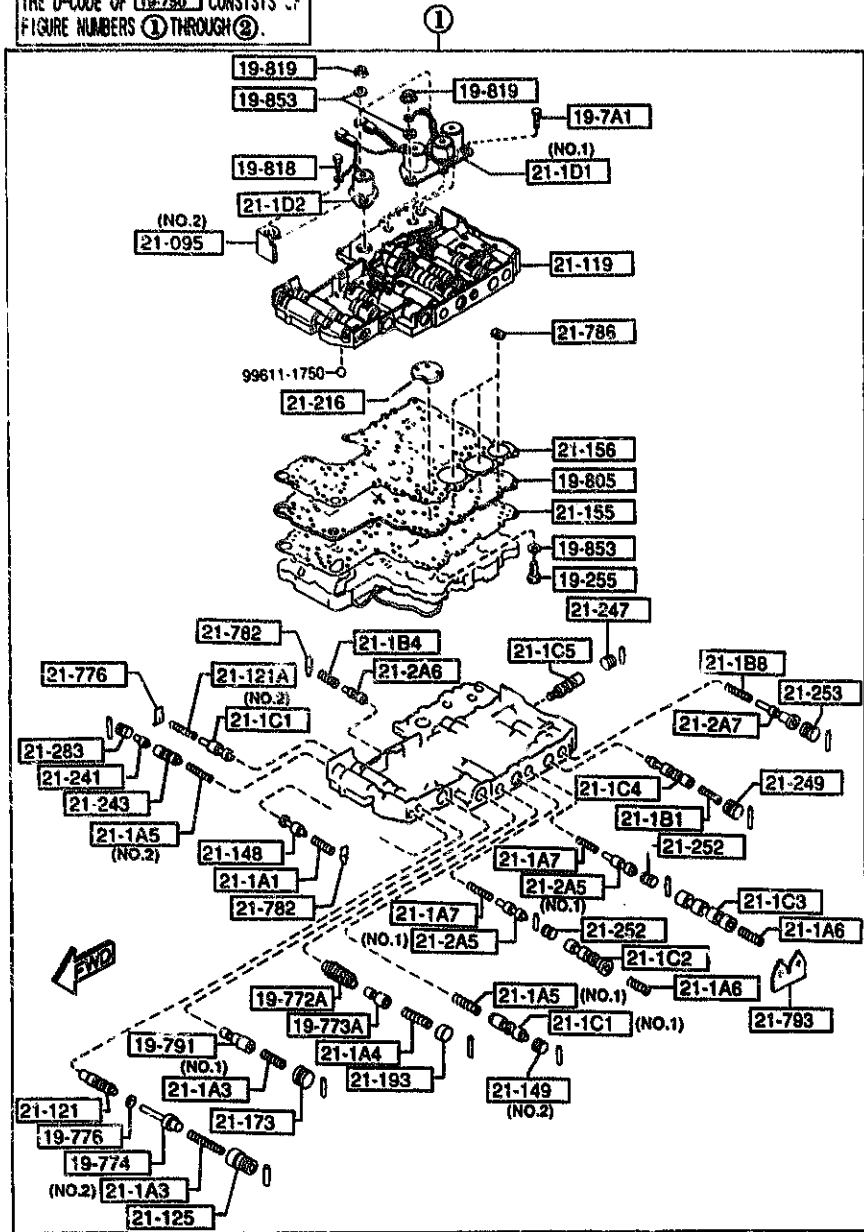
PART NO.	QTY	MODEL/RESTRICTION	MODEL/RESTRICTION	MODEL/RESTRICTION	FROM-TO
21-1C5		VALVE, SHIFT			
BV45-21-1C5	1				
21-1D1		SOLENOID			
BV11-21-1D1	1	(ILLUST. NO.1)			
BV45-21-1D1	1	(ILLUST. NO.2)			
21-1D2		SOLENOID			
BV11-21-1D2	1				
21-119		BODY, UPPER-CONTROL			
BV40-21-119	1				
21-121		VALVE			
BV11-21-121	1				
21-121A		SPRING, VALVE			
BV45-21-121	1				
21-125		SLEEVE, PLUG REGULATO R			
BV11-21-125	1				
21-148		VALVE, CONVR RELIEF			
BV21-21-148	1				
21-149		PLUG, STOPPER			
BV11-21-149	1	(ILLUST. NO.1)			
BV30-21-149	1	(ILLUST. NO.2)			
21-155		GASKET, BODY-LWR			
BV40-21-155	1				
21-156		GASKET, BODY-UPP			
BV40-21-156	1				
21-173		PLUG, STOPPER			
BV11-21-173	1				
21-193		PLUG, STOPPER			
BV11-21-193	1				



PART NO.	QTY	MODEL/RESTRICTION	MODEL/RESTRICTION	MODEL/RESTRICTION	FROM-TO
21-2A5		VALVE, SPOOL			
BV11-21-2A5	2	(ILLUST. NO.1)			
BV12-21-2A5	1	(ILLUST. NO.2)			
21-2A6		VALVE, SPOOL			
BV11-21-2A6	1				
21-2A7		VALVE, SPOOL			
BV11-21-2A7	1				
21-2A8		VALVE, SPOOL			
BV11-21-2A8	1				
21-2A9		VALVE, SPOOL			
BV35-21-2A9	1				
21-216		PLATE 'E', SIDE			
BV11-21-216	1				
21-241		SLEEVE, LOCK UP			
BV40-21-241	1				
21-243		VALVE, 3RD LOCK UP			
BV40-21-243	1				
21-247		PLUG, STOPPER			
BV30-21-247	1				
21-249		PLUG			
BV56-21-249	1				
21-252		PLUG, STOPPER			
BV11-21-252	2				
21-253		GASKET, DRUM SUPPORT			
BV11-21-253	1				
21-283		VALVE, LOCK UP CONTROL			
BV40-21-283	1				

NOTE

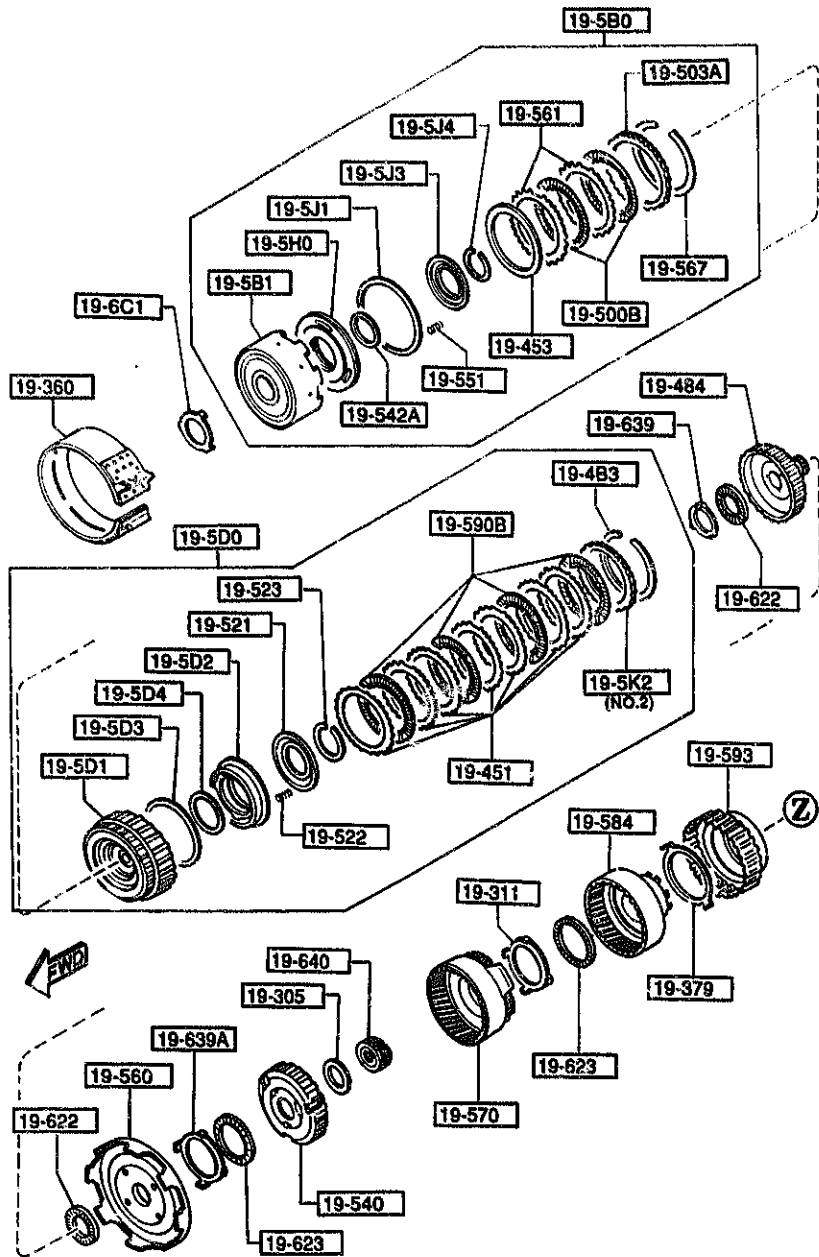
① ② → 19-750
 THE D-CODE OF 19-750 CONSISTS OF
 FIGURE NUMBERS ① THROUGH ②.



PART NO.	QTY	MODEL/RESTRICTION	MODEL/RESTRICTION	MODEL/RESTRICTION	FROM-TO
21-384		PISTON, ACCUMULATOR			
BV11-21-384	1				
21-776		PLATE, RETAINING			
BV40-21-776	2				
21-782		PLATE			
BV11-21-782	2				
21-784		PLATE			
BV11-21-784	2				
21-786		PLATE			
BV11-21-786	3				
21-793		PLATE			
BV35-21-793	1				

1930 CLUTCHES & PLANETARY GEARS (AUTOMATIC)

(1/2)

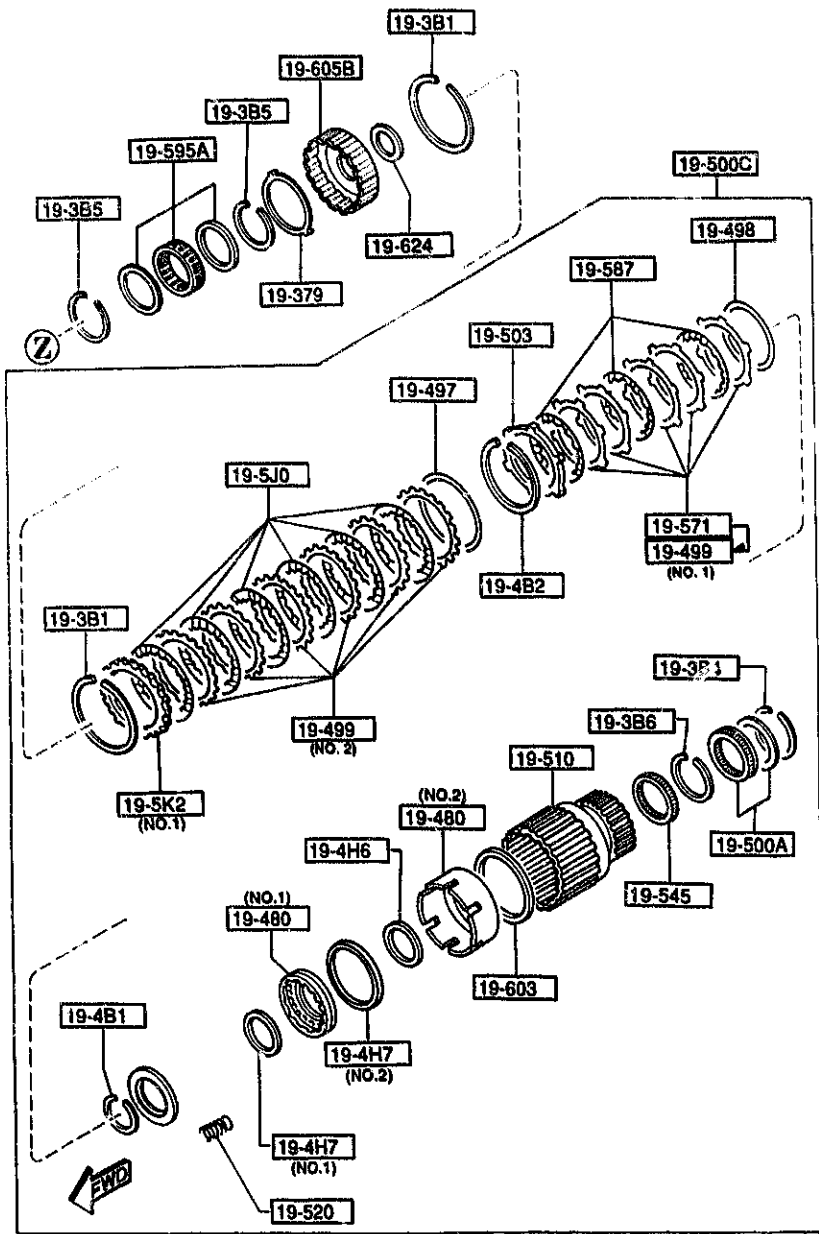


1930 -1 CLUTCHES & PLANETARY GEARS (AUTOMATIC)

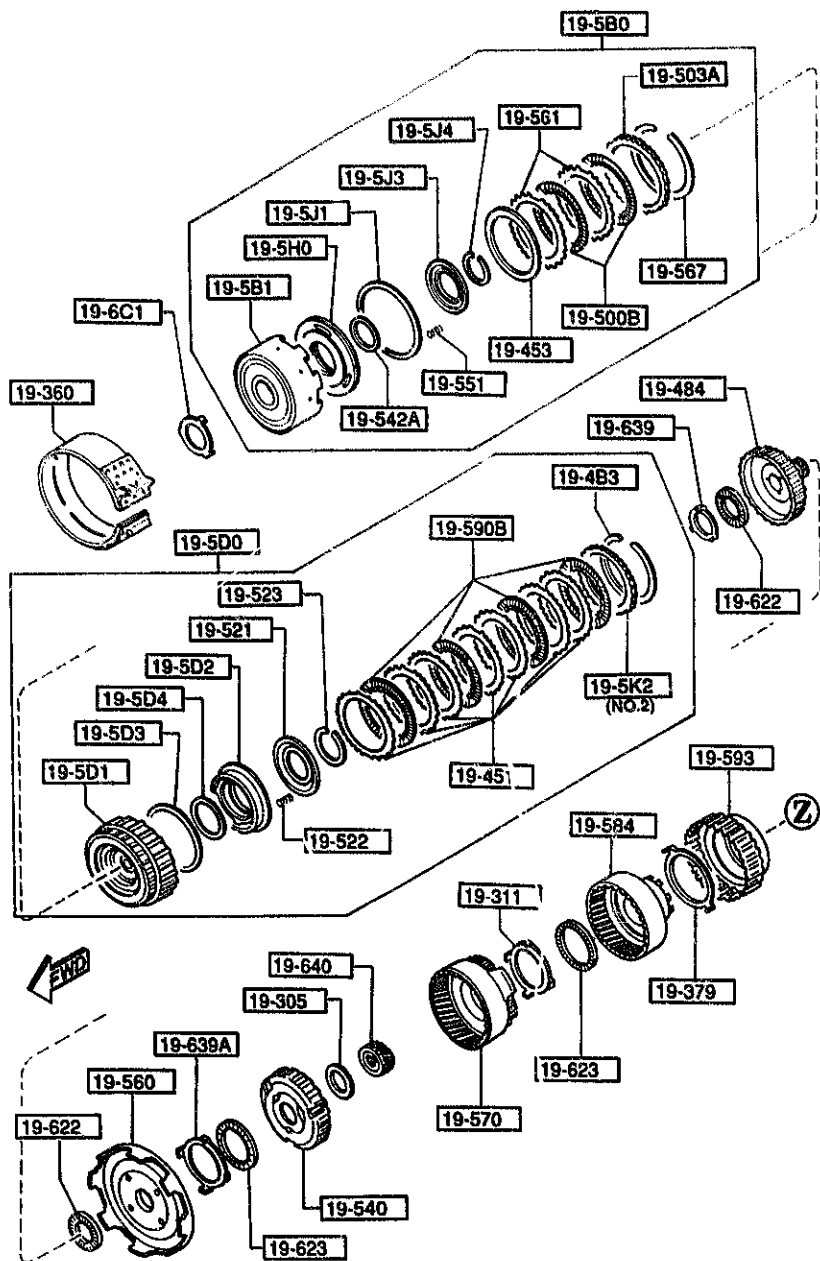
PART NO.	QTY	MODEL/RESTRICTION	MODEL/RESTRICTION	MODEL/RESTRICTION	FROM-TO
19-3B1		RING, SNAP			
BV11-19-3B1	2				
19-3B4		RING, SNAP			
BV45-19-3B4	1				
BV11-19-3B4	1				-3A01
19-3B5		RING, SNAP			
BV11-19-3B5A	2				3A01-
19-3B6		RING, SNAP			
BV11-19-3B6	1				
19-305		BEARING, NEEDLE			
BV11-19-305	1				
19-311		RACE, BEARING			
BV11-19-311	1				
19-360		BAND, BRAKE			
BV65-19-360	1				
19-379		WASHER, TRUST			
BV11-19-379	2				
19-4B1		RING, SNAP			
BV11-19-4B1	1				
BV30-19-4B1	1				-3A01
19-4B2		RING, SNAP			
BV11-19-4B2	1				3A01-
19-4B3		RING, SNAP			
BV11-19-4B3	1				
19-4H6		SEAL, LATHE CUT			
BV11-19-4H6	1				
19-4H7		SEAL, PISTON			
BV11-19-4H7	1	(ILLUST. NO.1)			

3A01 FD333*-300888

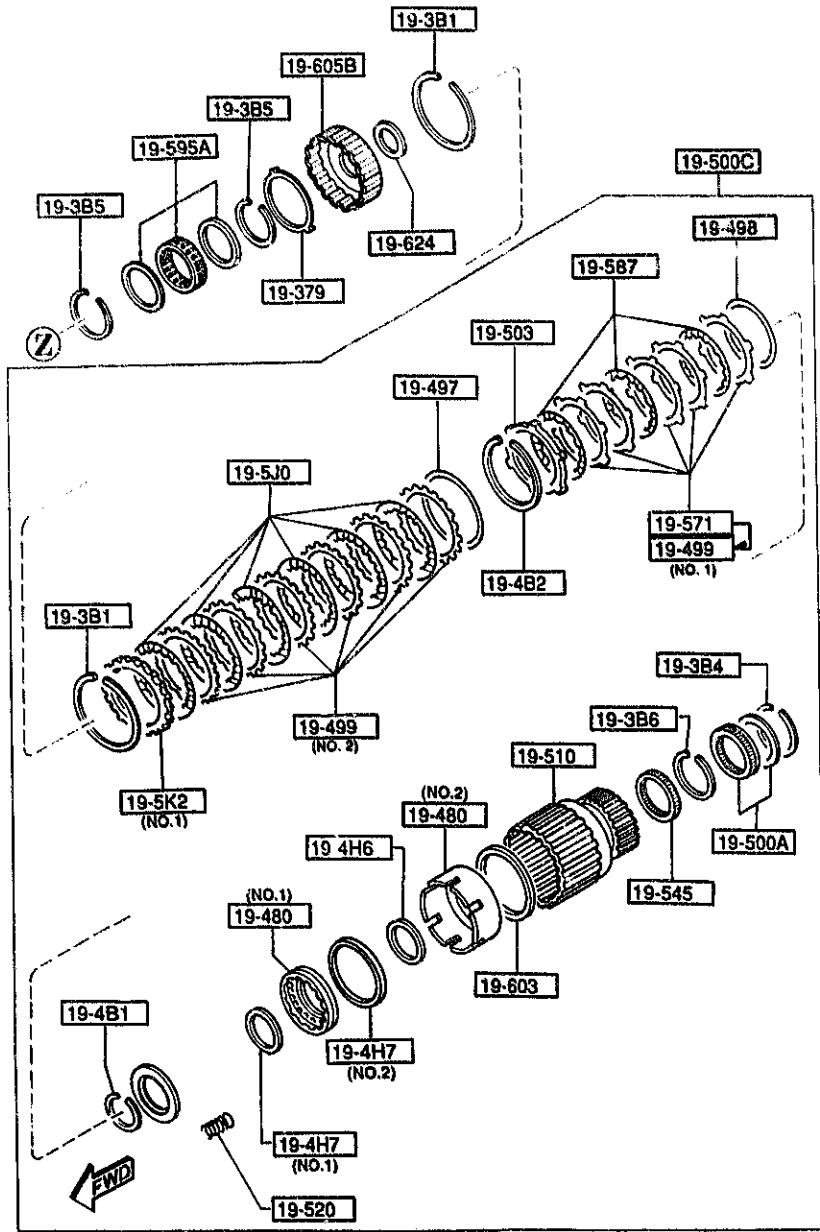
1-K10



PART NO.	QTY	MODEL/RESTRICTION	MODEL/RESTRICTION	MODEL/RESTRICTION	FROM-TO
CONT'D BV30-19-4H7	1	(ILLUST. NO.2)			
19-451		PLATE,DRIVEN			
B/11-19-451	7				
19-453		PLATE,RETAINING			
BV11-19-453	1				
19-480		PISTON,CLUTCH			
BV45-19-3F0	1	(ILLUST. NO.1)			
BV11-19-480	1	(ILLUST. NO.2)			
19-484		HJB, FORWARD CLUTCH			
BV11-19-484	1				
19-497		PLATE, DISHED			
BV11-19-497	1				
19-498		PLATE, DISHED			
BV11-19-498	1				
19-499		PLATE, DRIVEN			
BV45-19-499	6	(ILLUST. NO.2)			3A01-
BV11-19-499	5	(ILLUST. NO.1)			-4120
19-580		CLUTCH, REVERSE			
BV11-19-580A	1				4120-
A (BV11-19-580B)					
BV11-19-580B	1				-4120
19-581		DRUM, REVERSE			
BV11-19-581	1				4120-
A (BV11-19-581A)					
BV11-19-581A	1				4120-
19-5D0		CLUTCH, HIGH			
BV65-19-5DDA	1				
19-5D1		DRUM, HIGH CLUTCH			
BV11-19-5D1B	1				
3A01 FD333*-300888					
4120 FD333*-302035					

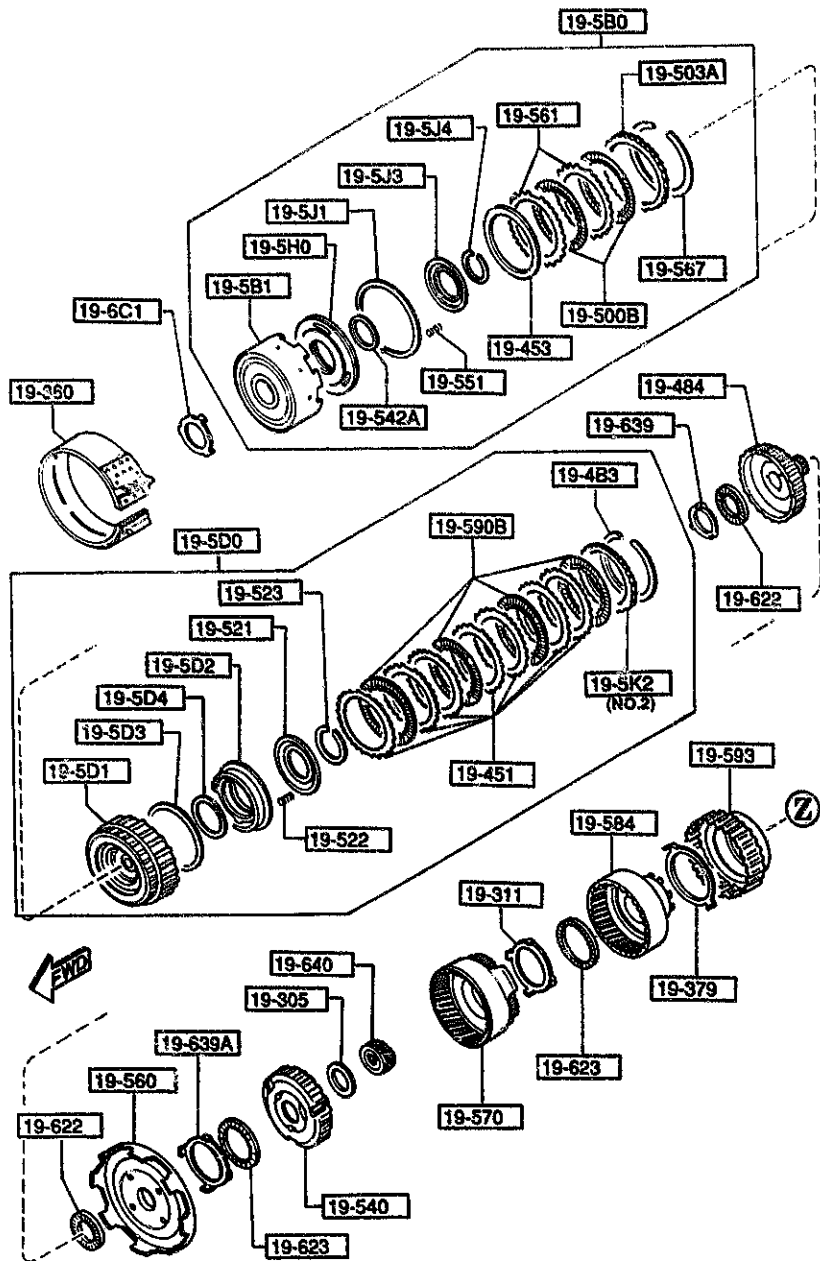


PART NO.	QTY	MODEL/RESTRICTION	MODEL/RESTRICTION	MODEL/RESTRICTION	FROM-TO
19-5D2		PISTON,HIGH CLUTCH			
BV11-19-5D2	1				
19-5D3		SEAL,LATHE CUT			
BV11-19-5D3	1				
19-5D4		SEAL,LATHE CUT			
BV11-19-5D4	1				
19-5H0		PISTON,REVERSE			
BV11-19-5H0	1				
19-5J0		PLATE,DRIVE			
BV11-19-5J0	6				
19-5J1		SEAL,OUTER			
BV11-19-5J1	1				
19-5J3		SPRING,RETURN			
BV11-19-5J3	1				
19-5J4		RING,SNAP			
BV11-19-5J4	1				
19-5K2		PLATE,RETAINING			
BV11-19-5K2	1	T=4MM (ILLUST. NO.1)			
BV65-19-5K2	1	T=3.4MM (ILLUST. NO.2)			
BV11-19-5K3	1	T=4.2MM (ILLUST. NO.1)			
BV65-19-5K3	1	T=3.6MM (ILLUST. NO.2)			
BV11-19-5K4	1	T=4.4MM (ILLUST. NO.1)			
BV65-19-5K4	1	T=3.8MM (ILLUST. NO.2)			
BV11-19-5K5	1	T=4.6MM (ILLUST. NO.1)			
BV65-19-5K5	1	T=4MM (ILLUST. NO.2)			
BV11-19-5K6	1	T=4.8MM (ILLUST. NO.1)			



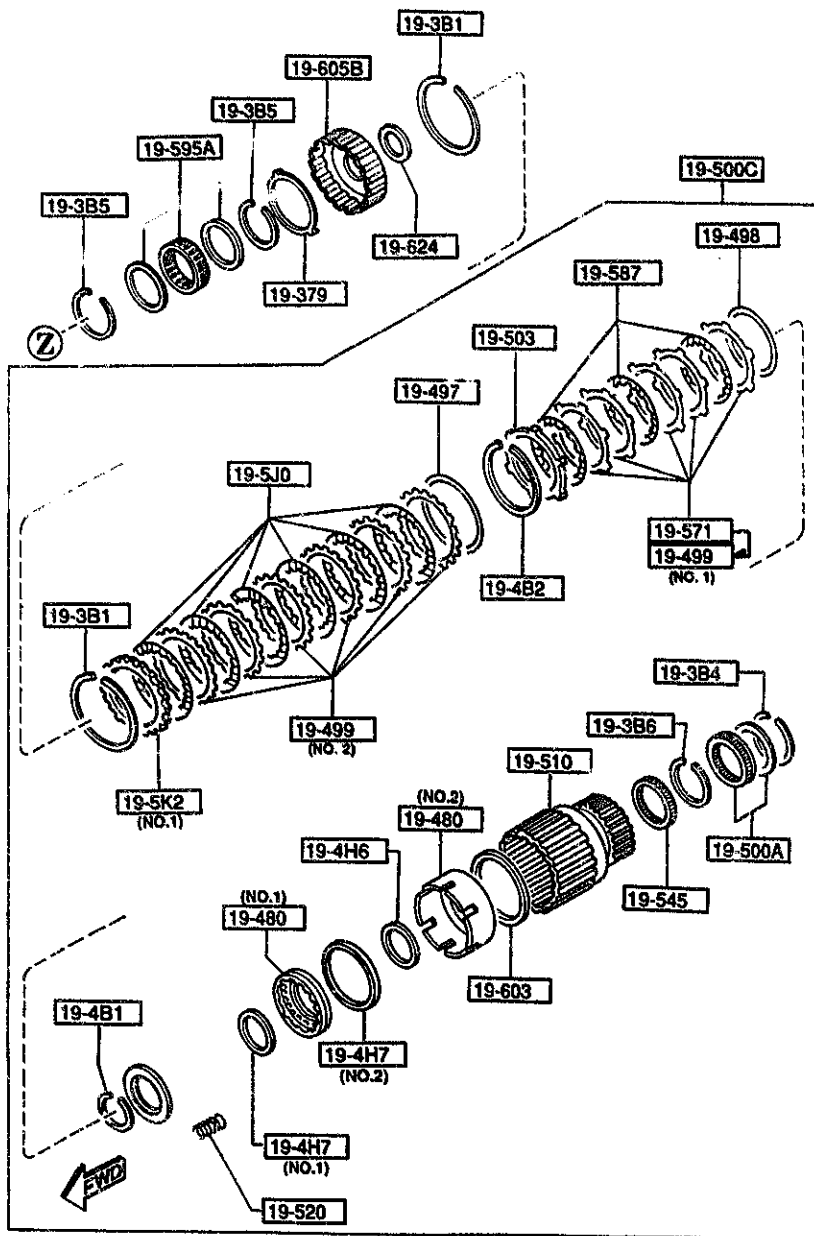
PART NO.	QTY	MODEL/RESTRICTION	MODEL/RESTRICTION	MODEL/RESTRICTION	FROM TO
CONT'D					
BV65-19-5K6	1	T=4.2MM (ILLUST. NO.2)			
BV11-19-5K7	1	T=5MM (ILLUST. NO.1)			
BV11-19-5K8	1	T=5.2MM (ILLUST. NO.1)			
+-----+ 19-500A +-----+		CLUTCH & ONE WAY			
BV45-19-651	1				-3A01
BV11-19-651	1				3A01-
+-----+ 19-500B +-----+		PLATE,DRIVEN			
BV11-19-620A	2				
+-----+ 19-500C +-----+		CLUTCH			
BV45-19-500	1				-3A01
BV11-19-500A	1				3A01-
+-----+ 19-503 +-----+		PLATE,RETAINING			
BV11-19-5K9	1	T=5.2MM			
BV11-19-503	1	T=4MM			
BV11-19-504	1	T=4.2MM			
BV11-19-505	1	T=4.4MM			
BV11-19-506	1	T=4.6MM			
BV11-19-507	1	T=4.8MM			
BV11-19-508	1	T=5MM			
+-----+ 19-503A +-----+		PLATE,RETAINING			
BV11-19-454A	1	T=4.6MM			
BV11-19-456A	1	T=4.8MM			
BV11-19-457A	1	T=5MM			
BV11-19-458A	1	T=5.2MM			
BV11-19-459A	1	T=5.4MM			

3A01 FD333*-300888



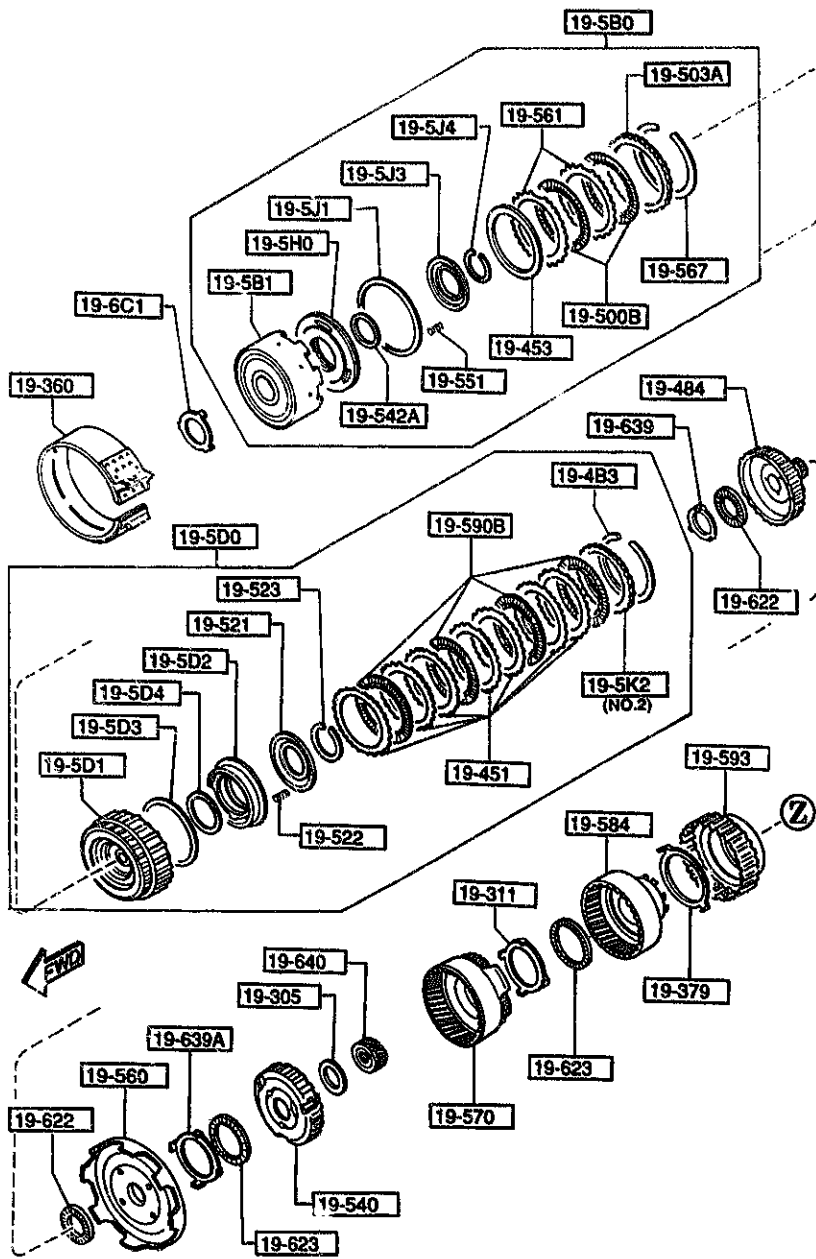
PART NO.	QTY	MODEL/RESTRICTION	MODEL/RESTRICTION	MODEL/RESTRICTION	FROM-TO
CONT'D	1				
BV11-19-572A	1	T=5.6MM			
BV11-19-573A	1	T=5.8MM			
19-510		CLUTCH, REAR			
BV45-19-510	1				-3A01
BV11-19-510A	1				3A01-
19-520		RETAINER, SPRING-CLU. ONE W			
BV11-19-520	1				
19-521		RETAINER			
BV11-19-521	1				
19-522		SPRING			
BV11-19-522	16				
19-523		RING, SNAP			
BV11-19-523	1				
19-540		CARRIER, FRONT			
BV45-19-540	1				
19-542A		SEAL, 'O'RING			
BV11-19-542	1				
19-545		BEARING, NEEDLE			
BV56-19-545	1				
19-551		SPRING, PISTON RETAINER			
BV11-19-551	16				
19-560		GEAR, SUN			
BV65-19-560	1				
19-561		PLATE, DRIVEN-REV. PISTON			
BV45-19-561A	2				
19-567		RING, SNAP			

3A01 FD333*-300888

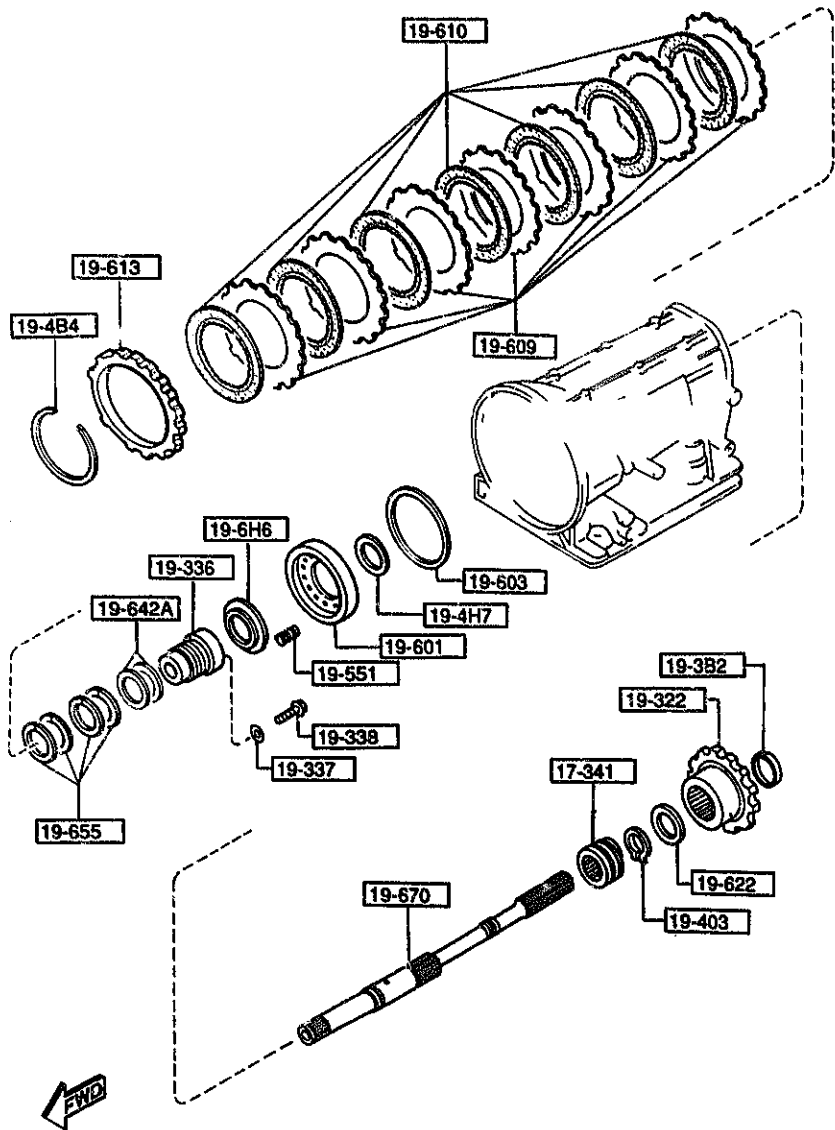


PART NO.	QTY	MODEL/RESTRICTION	MODEL/RESTRICTION	MODEL/RESTRICTION	FROM-TO
CONT'D BV11-19-567	1				
19-570		CARRIER, REAR			
BV46-19-570	1				
19-571		PLATE, DRIVEN-FRONT			
BV45-19-571	5				-3A01
19-584		GEAR, INTERNAL			
BV45-19-584	1				
19-587		PLATE			
BV11-19-587	5				
19-590B		PLATE, DRIVE			
BV11-19-590	4				
19-593		RACE, OUTER			
BV11-19-593	1				
19-595A		CLUTCH, ONE WAY			
BV11-19-595	1				
19-6C1		RACE, BEARING			
BV11-19-6C1	1	T=0.8MM			
BV11-19-6C2	1	T=1MM			
BV11-19-6C3	1	T=1.2MM			
BV11-19-6C4	1	T=1.4MM			
BV11-19-6C5	1	T=1.6MM			
BV11-19-6C6	1	T=1.8MM			
BV11-19-6C7	1	T=2MM			
19-603		SEAL, PISTON			
BV11-19-603	1				

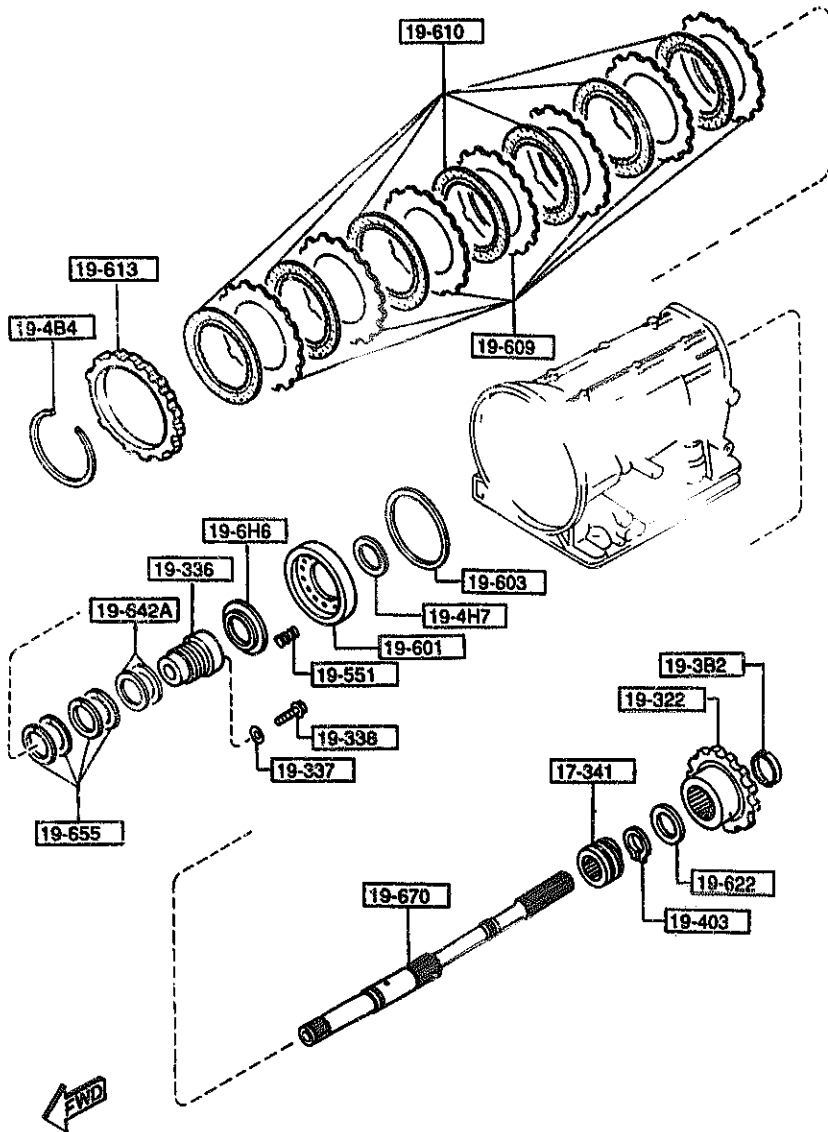
3A01 FD333*-300888



PART NO.	QTY	MODEL/RESTRICTION	MODEL/RESTRICTION	MODEL/RESTRICTION	FROM-TO
19-605B		HUB			
BV11-19-605	1				
19-622		BEARING, NEEDLE			
0338-19-622	2				
19-623		BEARING, NEEDLE			
BV11-19-307	2				
19-624		BEARING, NEEDLE			
BV55-19-304	1				
19-639		RACE, BEARING			
BV11-19-303	1				
19-639A		RACE, BEARING			
BV11-19-306	1				
19-640		GEAR, SMALL SUN			
BV46-19-6F1	1				

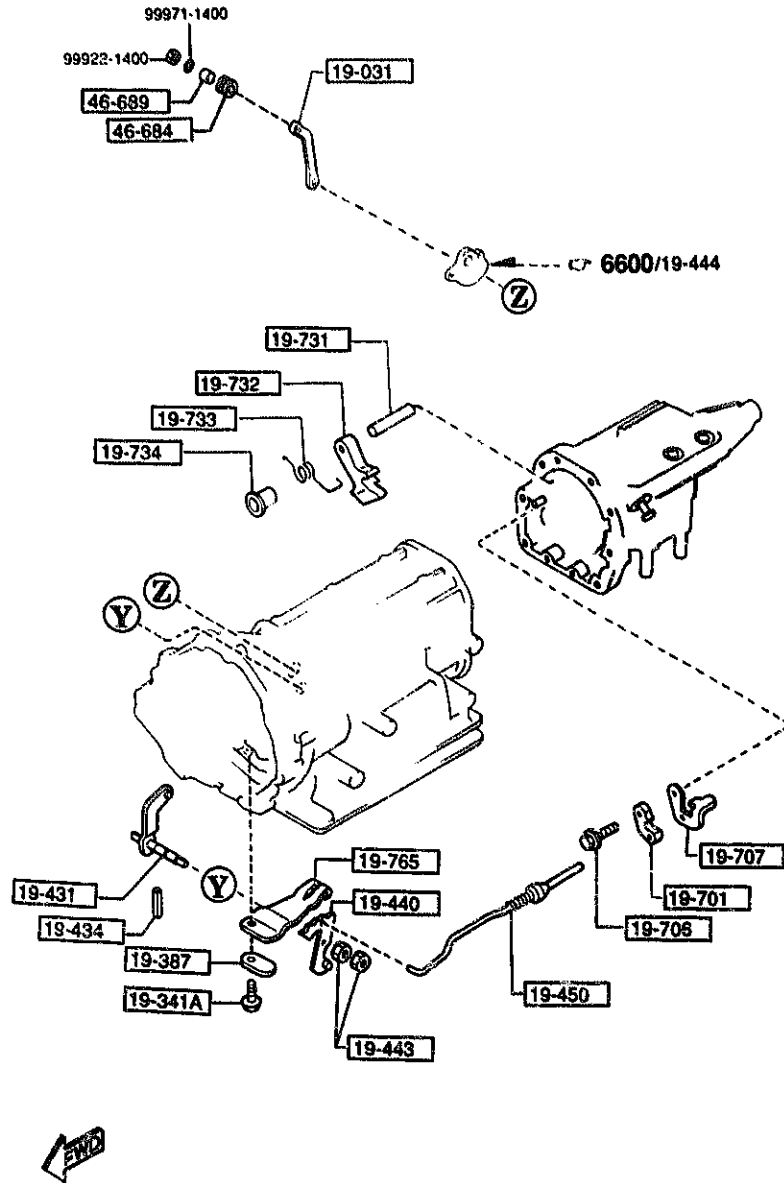


PART NO.	QTY	MODEL/RESTRICTION	MODEL/RESTRICTION	MODEL/RESTRICTION	FROM-TO
17-341		GEAR,DRIVE			
BV41-17-341	1				
19-382		RING,SNAP			
BV11-19-382	1				
19-322		GEAR,PARKING			
BV11-19-322	1				
19-336		RACE,INNER			
BV55-19-336	1				
19-337		WASHER,PLAIN			
BV11-19-337	8				
19-338		BOLT			
BV11-19-338	8				
19-4B4		RING,SNAP			
BV11-19-4B4	1				
19-4H7		SEAL,PISTON			
BV11-19-4H7	1				
19-403		RING,SNAP-PISTON STE M LOW			
BV40-19-403	1				
19-551		SPRING,PISTON RETAIN ER			
BV65-19-551	18				
19-6H6		RETAINER,SPRING			
BV65-19-6H6	1				
19-601		PISTON,LOW & REVERSE			
BV65-19-601	1				
19-603		SEAL,PISTON			
BV11-19-603	1				
19-609		PLATE,DRIVEN			
BV45-19-609	7				



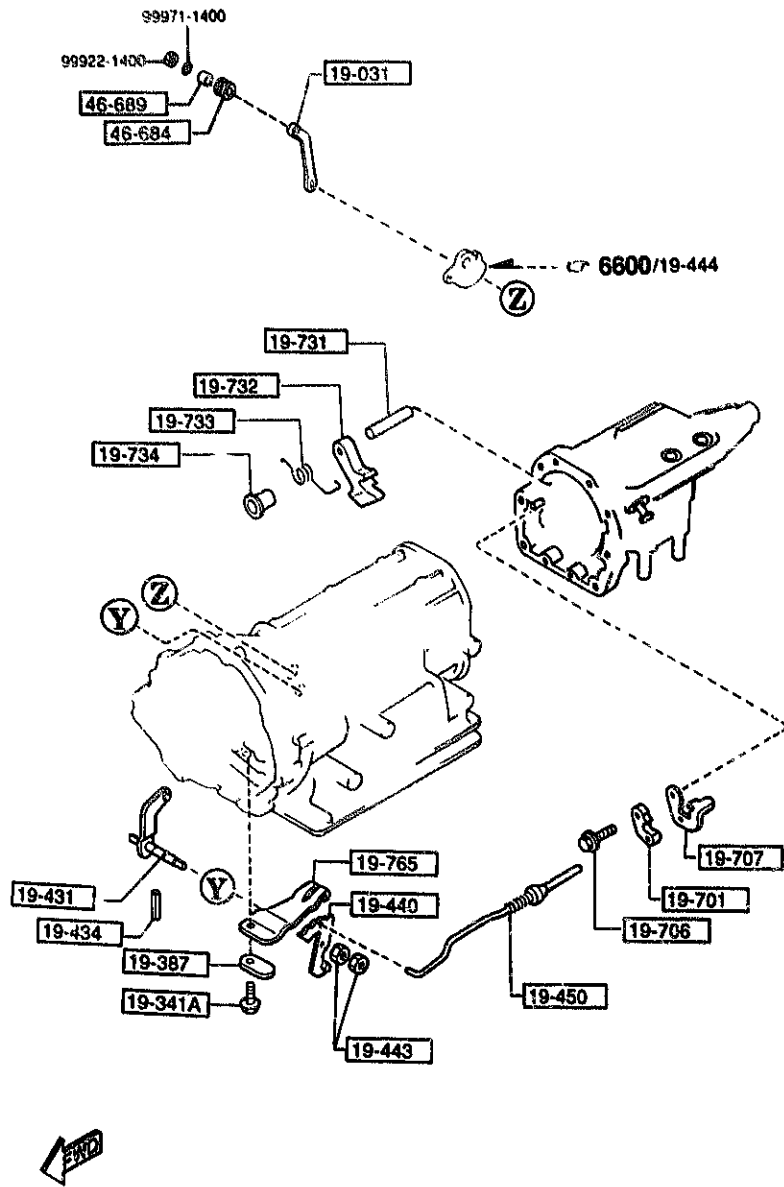
PART NO.	QTY	MODEL/RESTRICTION	MODEL/RESTRICTION	MODEL/RESTRICTION	FROM-TO
19-610		PLATE, DRIVEN			
BV56-19-610	7				
19-613		PLATE, RETAINING			
BV11-19-613	1	T=9.8MM			
BV45-19-613	1	T=8.4MM			
BV65-19-613	1	T=8MM			
BV66-19-613	1	T=8.2MM			
BV45-19-615	1	T=8.6MM			
BV65-19-615	1	T=7.6MM			
BV11-19-616	1	T=9MM			
BV45-19-616	1	T=8.8MM			
BV65-19-616	1	T=7.8MM			
BV65-19-617	1	T=6.8MM			
BV65-19-618	1	T=7MM			
BV65-19-623	1	T=7.2MM			
BV65-19-625	1	T=7.4MM			
BV65-19-628	1	T=6.6MM			
19-622		BEARING, NEEDLE			
BV11-19-622	4				
19-642A		WASHER, THRUST			
BV11-19-5F1	2				
19-655		RING, SEAL			
BV11-19-655	4				
19-670		SHAFT			
BV45-19-670	1				

1950 MANUAL LINKAGE SYSTEM (AUTOMATIC)



PART NO.	QTY	MODEL/RESTRICTION	MODEL/RESTRICTION	MODEL/RESTRICTION	FROM-TO
19-031		LEVER, SELECT			
BV65-19-030	1				
19-341A		BOLT			
BV11-19-341	1				
19-387		SPACER			
BV11-19-387A	1				
19-431		SHAFT, MANUAL			
BV11-19-431	1				
19-434		PIN			
BV11-19-434	1				
19-440		PLATE, MANUAL			
BV65-19-440	1				
19-443		NUT, SHAFT			
BV45-19-443	2				
19-450		ROD, PARKING			
BV11-19-450	1				
19-701		SUPPORTER, ACTUATOR			
BV12-21-471	1				
19-706		BOLT			
BV11-21-475	2				
19-707		GUIDE, PARKING ROD			
BV11-19-707	1				
19-731		SHAFT, PARKING PAWL			
BV11-21-472	1				
19-732		PAWL, PARKING			
BV11-19-732	1				
19-733		SPRING, PAWL RETURN			
BV11-19-733	1				

1950 MANUAL LINKAGE SYSTEM (AUTOMATIC)

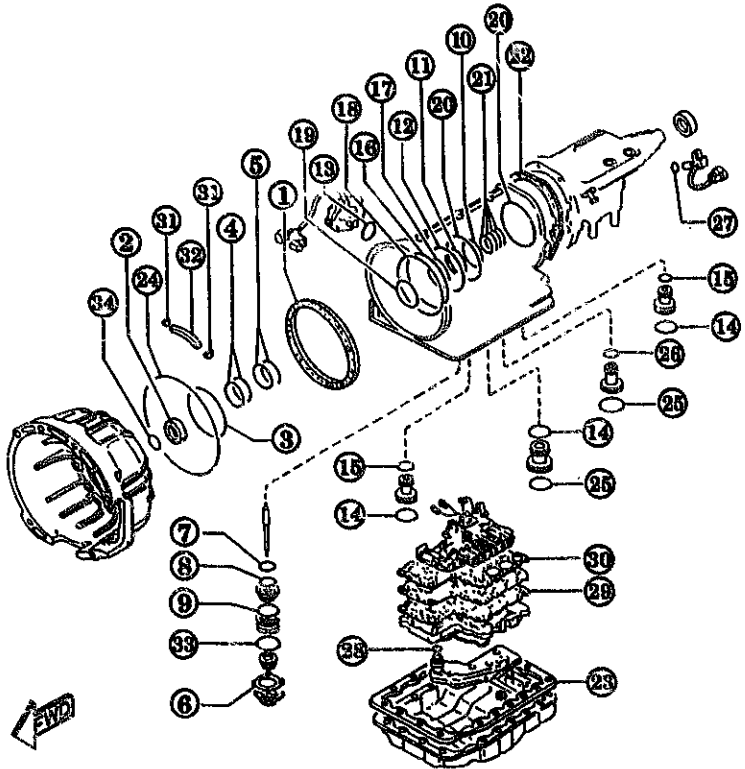


PART NO.	QTY	MODEL/RESTRICTION	MODEL/RESTRICTION	MODEL/RESTRICTION	FROM-TO
19-734		SPACER, DOWEL			
BV11-19-734	1				
19-765		SPRING			
BV65-19-765A	1				
46-684		BUSH			
H380-46-684	1				
46-689		SPACER, CONTROL CABLE			
H380-46-689	1				

1960 GASKET & SEAL KIT (AUTOMATIC)

22-900

- | | |
|--------------------------------------|----------------------------------|
| 1-GASKET, OIL PUMP..... (1) | 18-SEAL OUTER..... (1) |
| 2-SEAL, OIL..... (1) | 19-SEAL "O" RING..... (1) |
| 3-RING SEAL..... (1) | 20-SEAL PISTON..... (2) |
| 4-RING SEAL..... (1) | 21-RING SEAL..... (4) |
| 5-RING SEAL..... (1) | 22-GASKET, EXTENTION..... (1) |
| 6-GASKET..... (1) | 23-GASKET, OIL PAN..... (1) |
| 7-SEAL PISTON..... (1) | 24-RING "O"..... (1) |
| 8-SEAL PISTON..... (1) | 25-RING "O" -UP, ACCUM..... (2) |
| 9-RING "O"..... (1) | 26-RING "O" -ACCUMLATOR..... (1) |
| 10-SEAL, LATHE CUT..... (1) | 27-RING "O" -ACCUMLATOR..... (1) |
| 11-SEAL PISTON..... (1) | 28-RING "O"..... (1) |
| 12-SEAL PISTON..... (1) | 29-GASKET, BODY-LWR..... (1) |
| 13-SEAL, MANUAL SHAFT LEVER..... (1) | 30-GASKET, BODY-UPP..... (1) |
| 14-SEAL "O" RING..... (3) | 31-SEAL, SIDE..... (2) |
| 15-RING "O"..... (2) | 32-SEAL, FLANGE..... (1) |
| 16-SEAL, LATHE CUT..... (1) | 33-SEAL, LATHE CUT..... (1) |
| 17-SEAL, LATHE CUT..... (1) | 34-RING "O"..... (1) |



1960 -1 * GASKET & SEAL KIT (AUTOMATIC)

PART NO.	QTY	MODEL/RESTRICTION	MODEL/RESTRICTION	MODEL/RESTRICTION	FROM-TO
22-900		GASKET & SEAL KIT			
BV65-22-900	1				