

This file is available for free download at <http://www.iluvmyrx7.com>

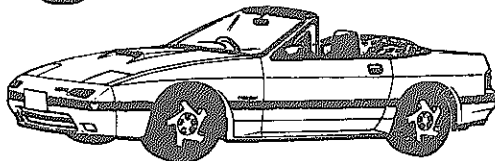
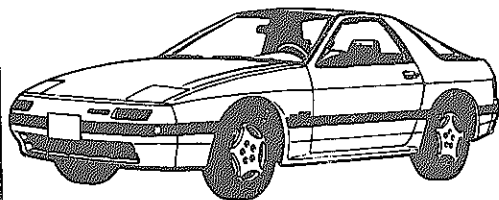


www.iluvmyrx7.com

Parts Catalog

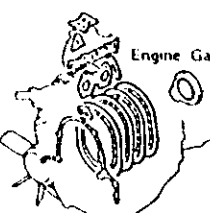
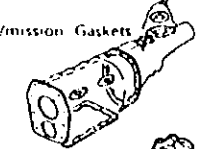
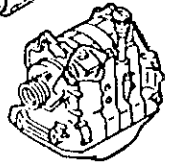
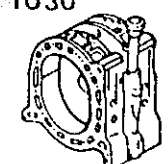

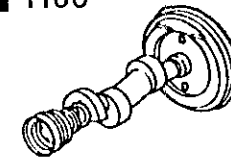

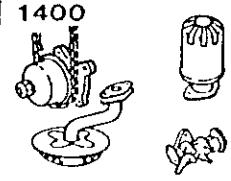
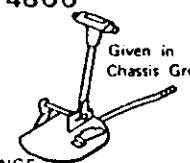
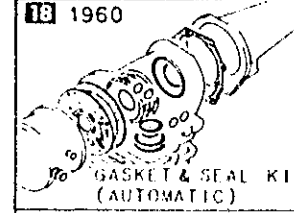
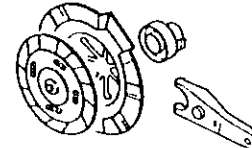
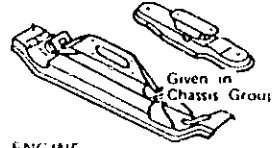
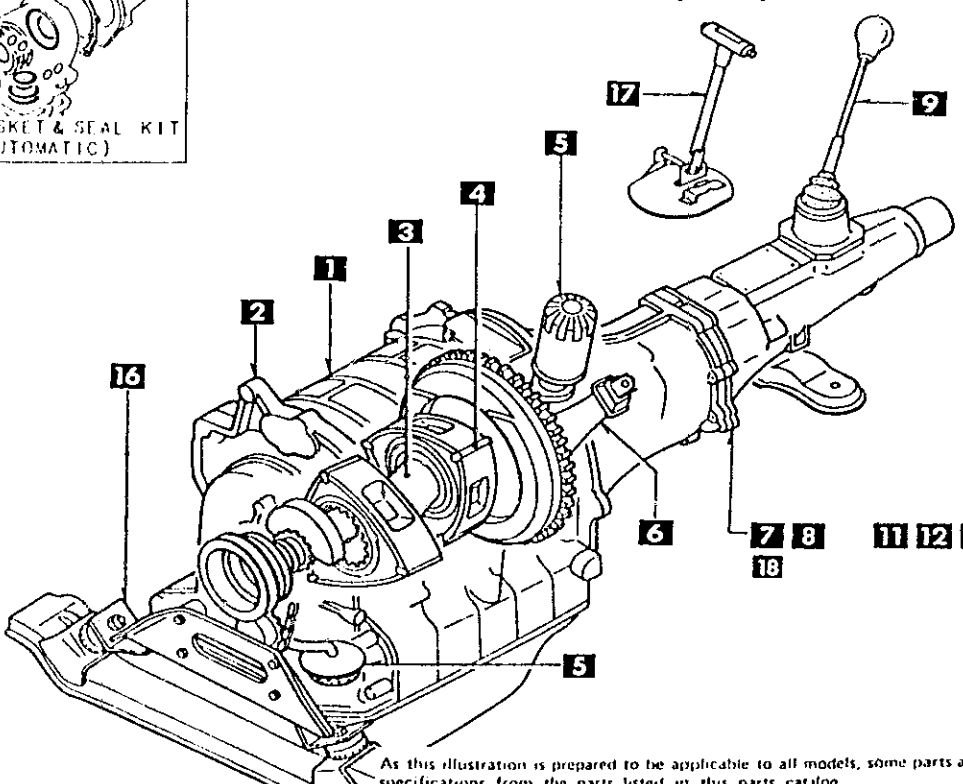
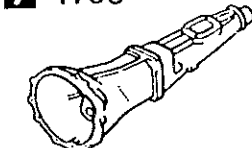

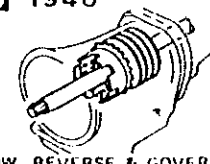
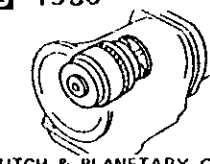
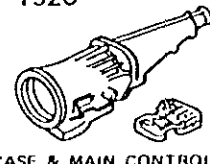
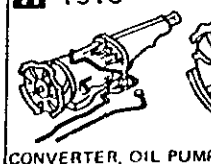
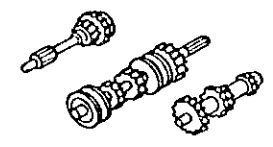
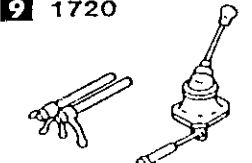
Mazda RX-7

('86-'88)

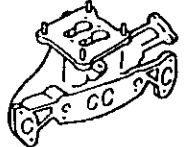
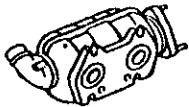

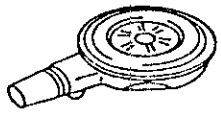
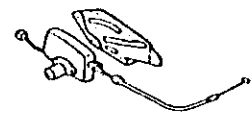

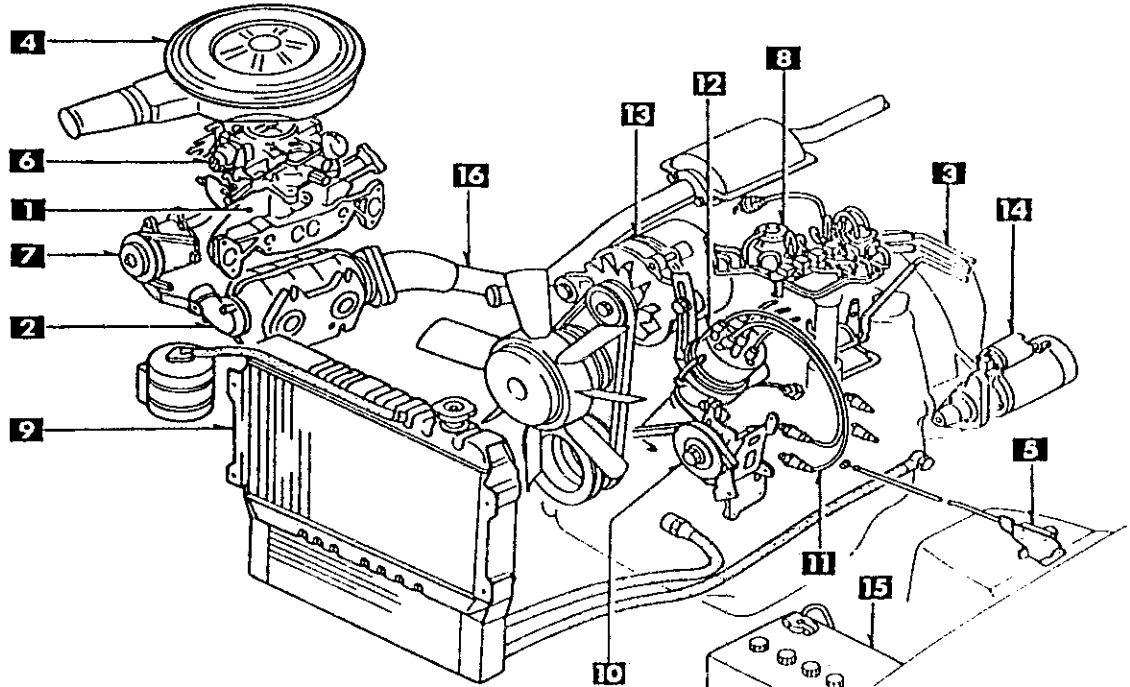
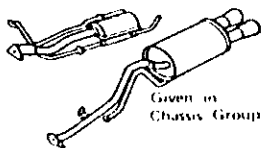
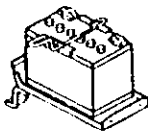
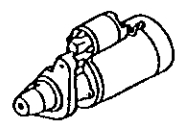


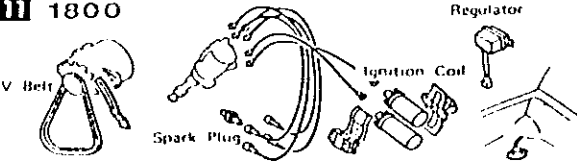


FC33-100001 -
FC351-100001 -

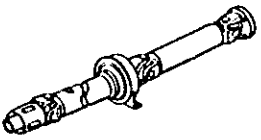
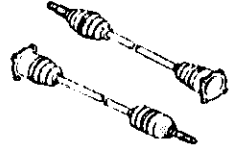

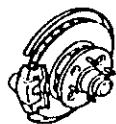
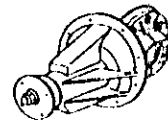
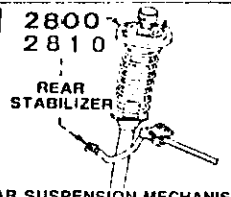
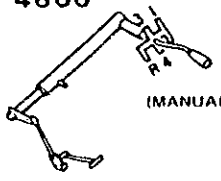
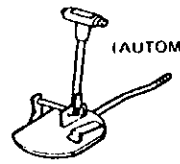
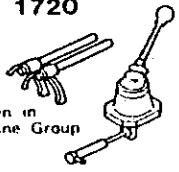
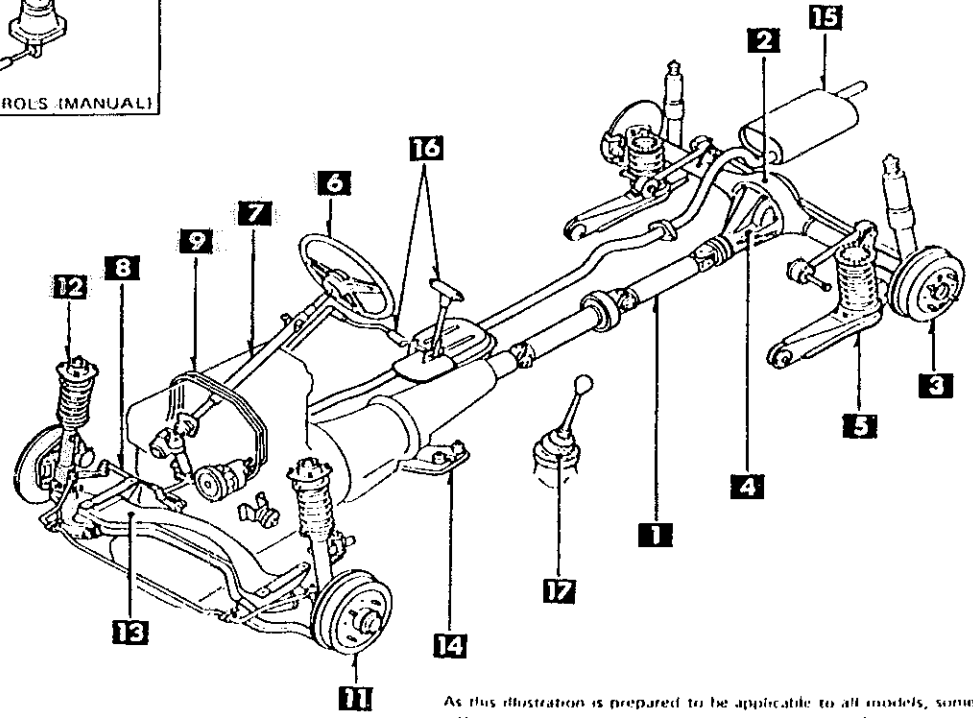

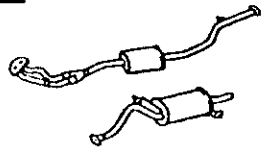

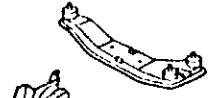
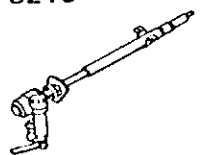
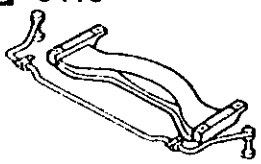
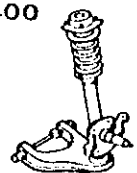


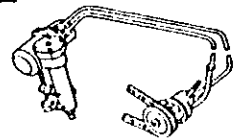
PICTORIAL INDEX

<p>1000</p>  <p style="text-align: center;">Engine Gaskets</p>  <p style="text-align: center;">T/Mission Gaskets</p>  <p style="text-align: center;">SHORT ENGINE & GASKET SETS</p>	<p>1 1030</p>  <p style="text-align: center;">ROTOR HOUSING</p>	<p>2 1040</p>  <p style="text-align: center;">OIL PAN & FRONT & REAR HOUSINGS</p>	<p>3 1100</p>  <p style="text-align: center;">ECCENTRIC SHAFT & FLYWHEEL</p>	<p>4 1110</p>  <p style="text-align: center;">ROTOR & RELATED</p>	<p>5 1400</p>  <p style="text-align: center;">OIL PUMP & FILTER</p>
<p>17 4600</p>  <p style="text-align: center;">CHANGE CONTROLS (MANUAL)</p>	<p>18 1960</p>  <p style="text-align: center;">GASKET & SEAL KIT (AUTOMATIC)</p>				<p>6 1600</p>  <p style="text-align: center;">CLUTCH (MANUAL)</p>
<p>16 3900</p>  <p style="text-align: center;">ENGINE & T/MISSION MOUNTINGS</p>	<p style="text-align: center;">ROTARY ENGINE (1/2)</p>  <p style="text-align: center;">As this illustration is prepared to be applicable to all models, some parts are different in specifications from the parts listed in this parts catalog.</p>				<p>7 1700</p>  <p style="text-align: center;">T/MISSION CASE (MANUAL)</p>
<p>15 1950</p>  <p style="text-align: center;">MANUAL LINKAGE (AUTOMATIC T/MISSION)</p>	<p>14 1940</p>  <p style="text-align: center;">LOW, REVERSE & GOVERNOR (AUTOMATIC T/MISSION)</p>	<p>13 1930</p>  <p style="text-align: center;">CLUTCH & PLANETARY GEARS (AUTOMATIC T/MISSION)</p>	<p>12 1920</p>  <p style="text-align: center;">CASE & MAIN CONTROLS (AUTOMATIC T/MISSION)</p>	<p>11 1910</p>  <p style="text-align: center;">CONVERTER, OIL PUMP & PIPING (AUTOMATIC T/MISSION)</p>	<p>8 1710</p>  <p style="text-align: center;">T/MISSION GEARS (MANUAL)</p>
					<p>9 1720</p>  <p style="text-align: center;">CHANGE CONTROLS (MANUAL)</p>

PICTORIAL INDEX

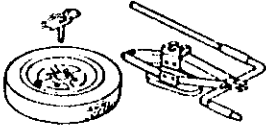
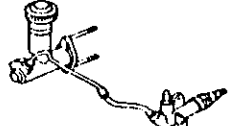

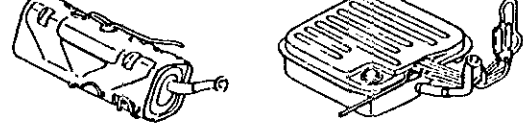
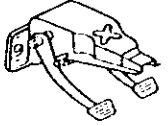
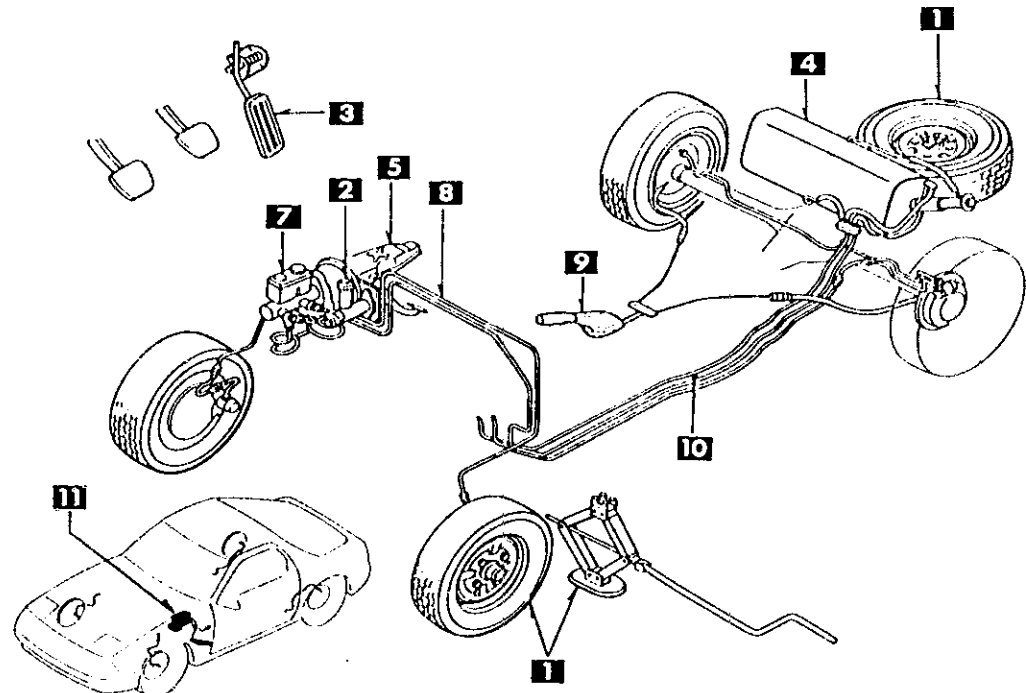
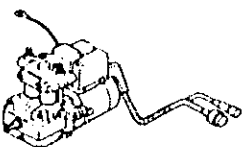
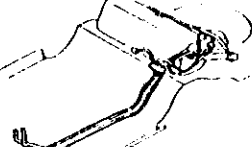

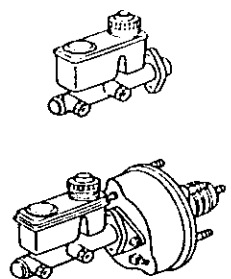

1 1300  IN. MANIFOLD	2 1310  THERMAL REACTOR	3 1320  FUEL SYSTEM	4 1330  AIR CLEANER	5 1350  STARTING ASSIST SYSTEM	6 1364  THROTTLE BODY
<h2 style="margin: 0;">ROTARY ENGINE (2/2)</h2> 					
As this illustration is prepared to be applicable to all models, some parts are different in specifications from the parts listed in this parts catalog.					
16 4000  EX. SYSTEM <small>Given in Chassis Group</small>	15 1850  BATTERY	14 1840  STARTER	13 1830  ALTERNATOR	12 1820  DISTRIBUTOR	11 1800  ELECTRICAL SYSTEM (ENGINE) <small>Regulator Ignition Coil Spark Plug</small>

PICTORIAL INDEX

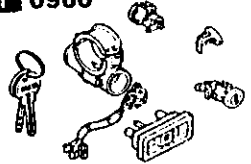
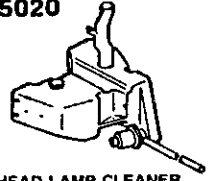

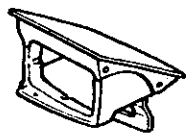
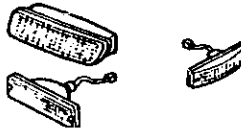
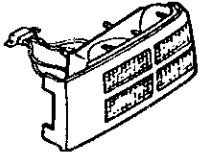
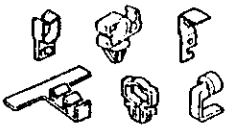
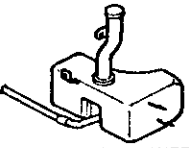
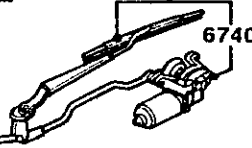
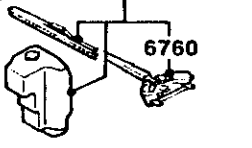
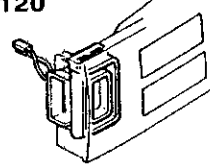

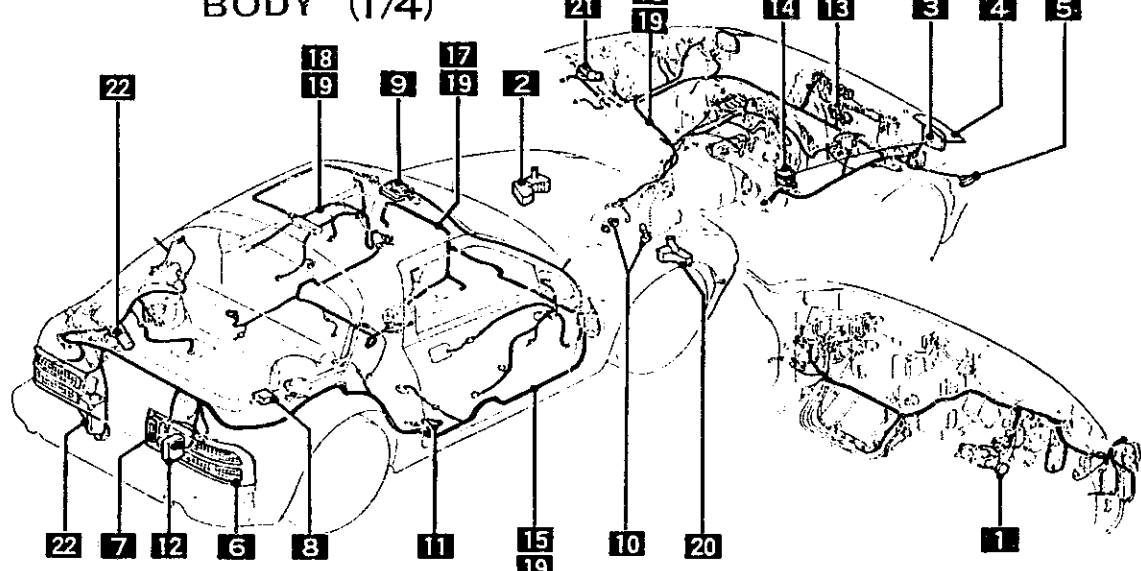
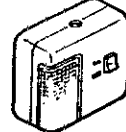

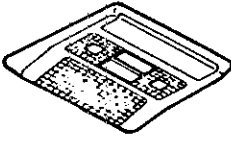



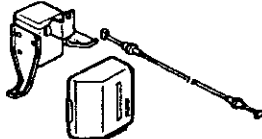

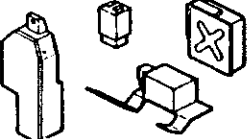

<p>1 2500</p>  <p>PROPELLER SHAFT</p>	<p>2 2550</p>  <p>REAR DRIVE SHAFTS</p>	<p>2600</p>  <p>REAR AXLE</p>	<p>3 2610</p>  <p>REAR BRAKE MECHANISMS</p>	<p>4 2710</p>  <p>DIFFERENTIAL (REAR)</p>	<p>5 2800 2810</p>  <p>REAR STABILIZER</p> <p>REAR SUSPENSION MECHANISMS</p>
<p>13 4600</p>  <p>(MANUAL)</p>  <p>(AUTOMATIC)</p> <p>CHANGE CONTROLS</p>	<p>17 1720</p>  <p>Given in Engine Group</p> <p>CHANGE CONTROLS (MANUAL)</p>	<p>CHASSIS (1/2)</p> 			<p>2830</p>  <p>REAR LOWER ARMS & SUB FRAME</p>
<p>15 4000</p>  <p>EX. SYSTEM</p>				<p>6 3200</p>  <p>STEERING WHEEL</p>	
<p>14 3900</p>  <p>ENGINE & T/MISSION MOUNTINGS</p>				<p>7 3210</p>  <p>STEERING GEAR & COLUMN</p>	
<p>13 3410</p>  <p>CROSSMEMBER & STABILIZER</p>	<p>12 3400</p>  <p>FRONT SUSPENSION</p>	<p>11 3300</p>  <p>FRONT AXLE & BRAKES</p>	<p>10</p>	<p>8 3220 3230</p>  <p>STEERING GEAR</p> <p>STEERING LINKAGE SYSTEM</p>	<p>9 3240</p>  <p>POWER STEERING SYSTEM</p>

As this illustration is prepared to be applicable to all models, some parts are different in specifications from the parts listed in this parts catalog.

PICTORIAL INDEX


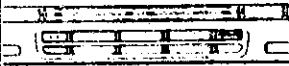




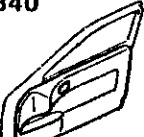
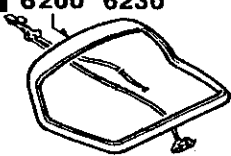




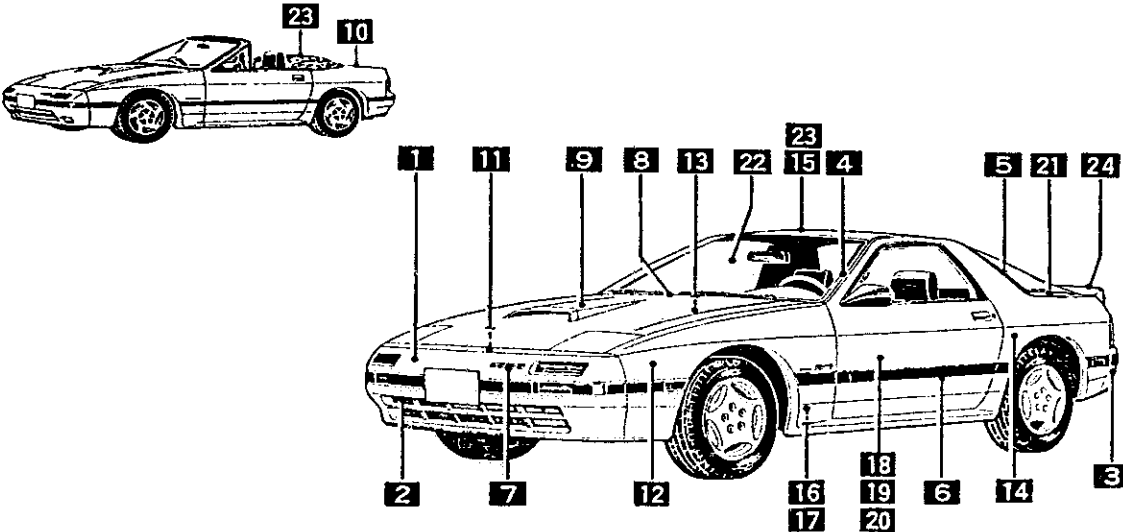

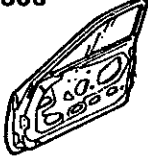
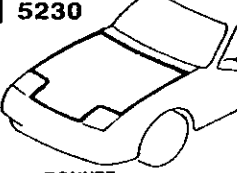
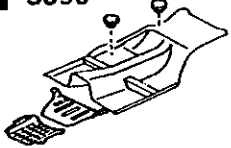


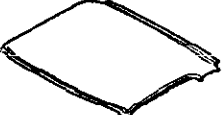
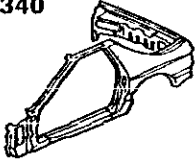
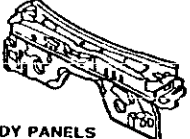
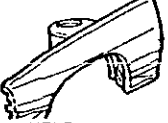
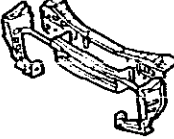
1 3700  TIRE & JACK	2 4140  CLUTCH RELEASE & MASTER CYLINDERS	3 4160  ACCELERATOR CONTROLS	4 4200  FUEL TANK	5 4300  CLUTCH & BRAKE
CHASSIS (2/2)				
				
<p style="font-size: small;">As this illustration is prepared to be applicable to all models, some parts are different in specifications from the parts listed in this parts catalog</p>				
11 4370  ANTILOCK BRAKE SYSTEM				
10 4500  FUEL & EVAPORATION PIPINGS				
9 4400  PARKING BRAKE SYSTEM				
7 4340  TANDEM MASTER CYL & VACUUM POWER ASSIST SYSTEM				
8 4360  BRAKE PIPING				

PICTORIAL INDEX

1 0900  KEY SETS	2 5020  HEAD LAMP CLEANER	3 5100  HEAD LAMPS	4 5103  HEAD LAMP RETRACTORS	5 5105  FRONT COMBINATION LAMPS	6 5110  REAR COMBINATION LAMPS	
19 6704  WIRING HARNESS CLAMPS	20 6720  WINDSHIELD WASHER	21 6730  WINDSHIELD WIPERS	22 6750  WINDOW WIPER & WASHER (REAR)	7 5120  LICENSE LAMPS		
18 6703  WIRING HARNESSES (DOOR, FLOOR/CEILING)	<div style="text-align: center;"> BODY (1/4) </div> 					8 5125  INTERIOR LAMPS
17 6702  WIRING HARNESSES (DASHBOARD)						9 5130  OVERHEAD CONSOLE
16 6701  WIRING HARNESSES (ENGINE & T/MISSION)						10 6600  SWITCHES & RELAYS (ENGINE)
15 6700  WIRING HARNESSES (FRONT & REAR)	14 6640  AUTO CRUISE CONTROL SYSTEM	13 6635  HORNS	12 6630  RELAYS & C.P.U. (BODY)	11 6620  DOOR, PARKING LAMP & KICKDOWN SWITCHES		

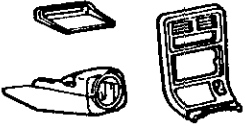
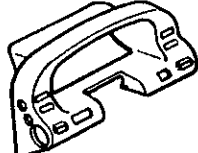
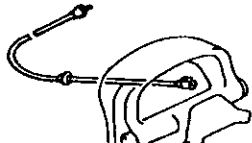
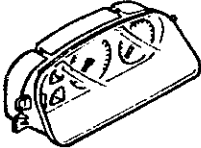
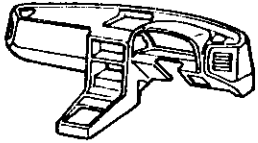
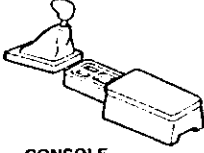
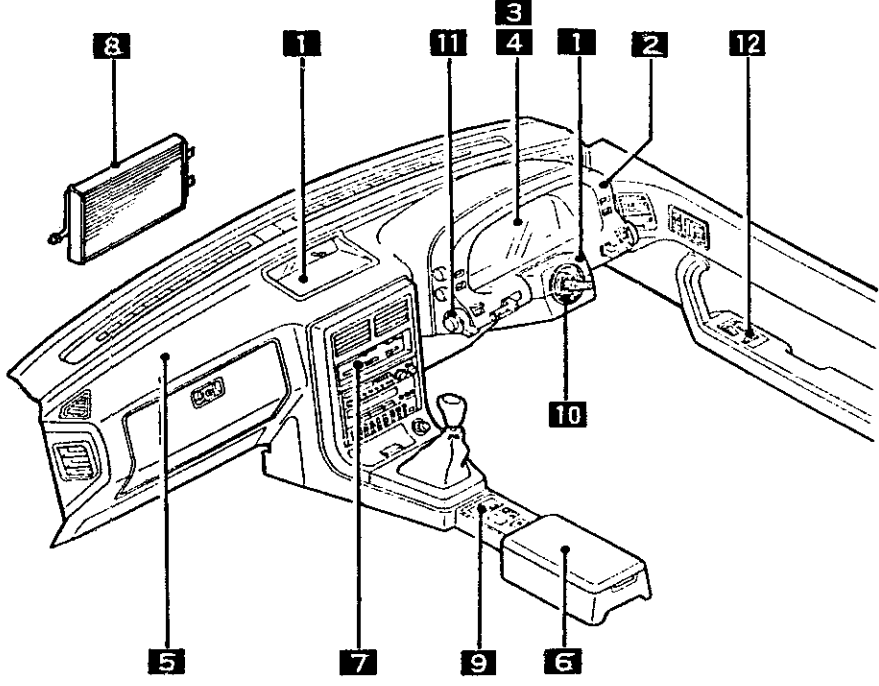
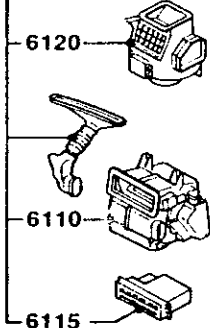
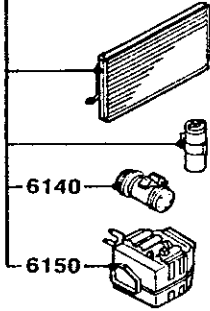
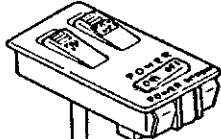
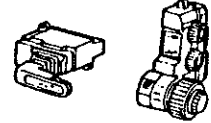
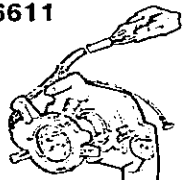
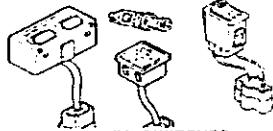
As this illustration is prepared to be applicable to all models, some parts are different in specifications from the parts listed in this parts Catalog

PICTORIAL INDEX

<p>1 5000</p>  <p>FRONT BUMPER</p>	<p>2 5005</p>  <p>RADIATOR GRILLE</p>	<p>3 5010</p>  <p>REAR BUMPER</p>	<p>4 5030</p>  <p>WINDOW MOULDINGS</p>	<p>5 5040</p>  <p>BODY MOULDINGS</p>	<p>6 5060</p>  <p>SIDE PROTECTORS</p>
<p>20 5840</p>  <p>FRONT DOOR TRIMS & RELATED PARTS</p>	<p>21 6200 6230</p>  <p>LIFT GATE MECHANISMS</p>	<p>22 6300</p>  <p>WINDOW GLASSES</p>	<p>23 6330</p>  <p>SUNROOF</p>	<p>24 7800</p>  <p>SPOILERS & RELATED PARTS</p>	<p>7 5170</p> <p>RX-7 MAZDA</p> <p>ORNAMENTS</p>
<p>19 5830</p>  <p>FRONT DOOR MECHANISMS</p>	<p>BODY (2/4)</p> 				<p>8 5180</p>  <p>COWL & EXTRACTOR GRILLES</p>
<p>18 5800</p>  <p>FRONT DOORS</p>					<p>9 5230</p>  <p>BONNET</p>
<p>17 5390</p>  <p>FLOOR ATTACHMENTS</p>					<p>10 5260</p>  <p>TRUNK LID</p>
<p>16 5370</p>  <p>BODY PANELS (FLOOR)</p>	<p>15 5360</p>  <p>BODY PANELS (ROOF)</p>	<p>14 5340</p>  <p>BODY PANELS (SIDE)</p>	<p>13 5330</p>  <p>BODY PANELS (DASH & COWL PANEL)</p>	<p>12 5320</p>  <p>BODY PANELS (FENDER & WHEEL APRON)</p>	<p>11 5310</p>  <p>BODY PANELS (FRONT)</p>

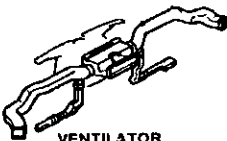

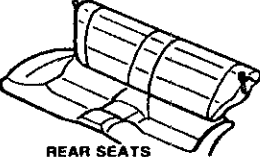
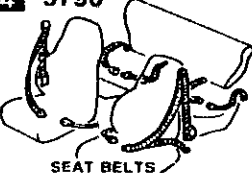
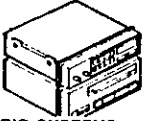

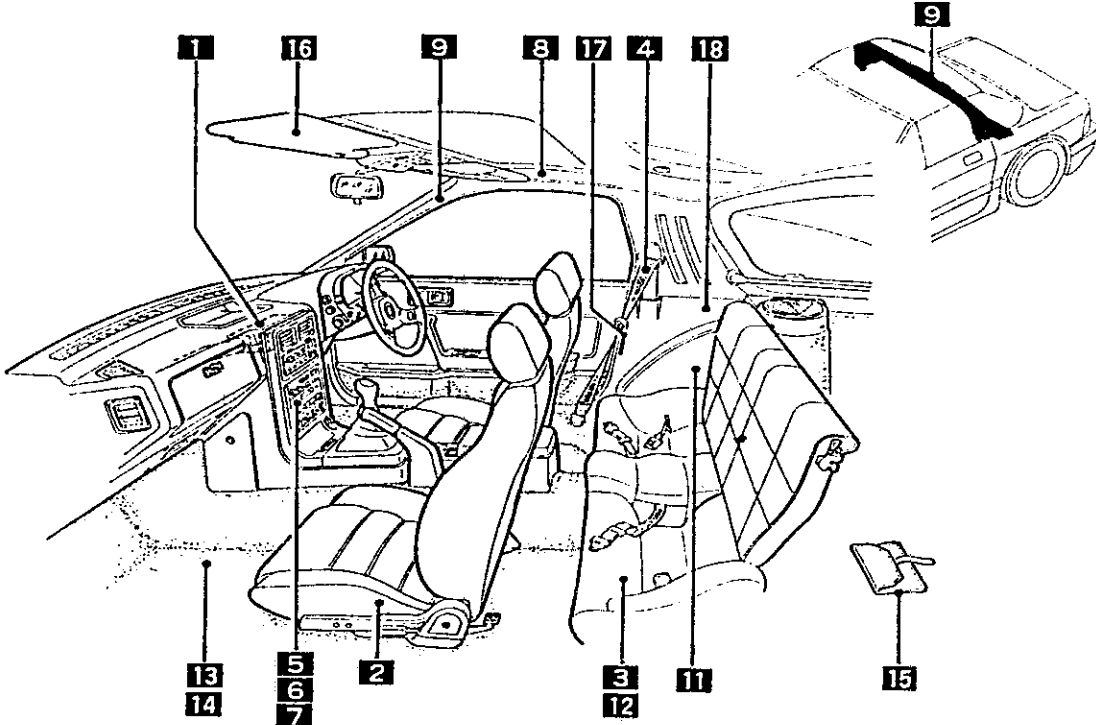
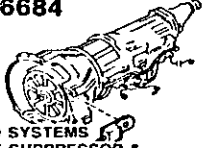







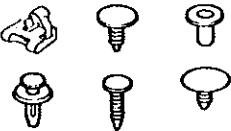
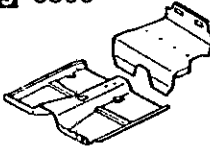
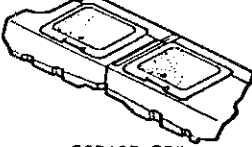

As this illustration is prepared to be applicable to all models, some parts are different in specifications from the parts listed in this parts Catalog

PICTORIAL INDEX

<p>1 5500</p>  <p>DASHBOARD EQUIPMENTS</p>	<p>2 5520</p>  <p>METER HOOD</p>	<p>3 5530</p>  <p>SPEEDOMETER CABLE</p>	<p>4 5540</p>  <p>METERS</p>	<p>5 5560</p>  <p>DASHBOARD & RELATED PARTS</p>	<p>6 5570</p>  <p>CONSOLE</p>
<p>BODY (3/4)</p> 					
<p>7 6100</p>  <p>6120</p> <p>6110</p> <p>6115</p> <p>HEATER</p>					
<p>8 6130</p>  <p>6140</p> <p>6150</p> <p>AIR CONDITIONER</p>					
<p>12 6615</p>  <p>POWER WINDOW SWITCHES</p>					
<p>11 6612</p>  <p>CLUSTER SWITCH</p>					
<p>10 6611</p>  <p>COMBINATION SWITCH</p>					
<p>9 6610</p>  <p>DASHBOARD SWITCHES (MANUAL OPERATING)</p>					

As this illustration is prepared to be applicable to all models, some parts are different in specifications from the parts listed in this parts Catalog

PICTORIAL INDEX

<p>1 5580</p>  <p style="text-align: center;">VENTILATOR</p>	<p>2 5700</p>  <p style="text-align: center;">FRONT SEATS</p>	<p>3 5750</p>  <p style="text-align: center;">REAR SEATS</p>	<p>4 5790</p>  <p style="text-align: center;">SEAT BELTS</p>	<p>5 6680</p>  <p style="text-align: center;">AUDIO SYSTEMS (RADIO & TAPE DECK)</p>	<p>6 6682</p>  <p style="text-align: center;">AUDIO SYSTEMS (ANTENNA & SPEAKER)</p>		
<p>BODY (4/4)</p> 						<p>7 6684</p>  <p style="text-align: center;">AUDIO SYSTEMS (NOISE SUPPRESSOR & EARTH CORD)</p>	
						<p>8 6800</p>  <p style="text-align: center;">CEILING TRIMS</p>	
<p>18 7250</p>  <p style="text-align: center;">REAR WINDOW GLASSES & TRIMS</p>							<p>9 6820</p>  <p style="text-align: center;">PILLAR TRIMS</p>
<p>17 6930</p>  <p style="text-align: center;">CAUTION PLATES & LABELS</p>							<p>10 6810</p>  <p style="text-align: center;">ROLLEBAR</p>
<p>16 6900</p>  <p style="text-align: center;">VISORS, ASSIST HANDLES & MIRRORS</p>	<p>15 6870</p>  <p style="text-align: center;">SERVICE TOOLS</p>	<p>14 6865</p>  <p style="text-align: center;">TRIM CLIPS & FASTENERS</p>	<p>13 6860</p>  <p style="text-align: center;">FLOOR MATS & PADS</p>	<p>12 6845</p>  <p style="text-align: center;">STRAGE BOX</p>	<p>11 6840</p>  <p style="text-align: center;">TRIMS & SCUFF PLATES</p>		

As this illustration is prepared to be applicable to all models, some parts are different in specifications from the parts listed in this parts Catalog

MODEL IDENTIFICATION

MDL NO.	ENG*		T/M	BODY		ROOF		SUSP		DIFF	BRK		SUSP		SEAT		PERIOD		YEAR			TRIM LEVEL										COMPLETE ASSEMBLY UNIT					
	W/O	W/TURBO	5	A	C	C	N	S	W/O	W/A	N	L	W/O	W/A	N	H	2	2	F	T	1	1	1	B	L	S	S	G	G	T	C	1	PART NUMBER				
	TURBO	TURBO	SPEED	AUTO	COUPE	CONV	NORM	SUNROOF	W/O	W/A	NORM	LIMSLIP	W/O	W/A	NORM	HARD	2	2	FROM	TO	1986	1987	1988	BASE	LPKG	SE	SPORT	GTU	GXL	TURBO	CONV	10TH ANN					
																												VIN (CHASSIS #)	ENGINE	T/MISSION	CABIN						
FB01	X		X	X	X	X	X	X	X	X	X	X	X	X	X	X	X	8/85	12/88	X	X	X	X	X	X									FC33*-100001-	N326-02-000	M582-03-000	FB01-07-000
FB02	X			X	X	X	X	X	X	X	X	X	X	X	X	X	X	8/85	12/88	X	X	X	X	X	X									FC33*-100001-	N327-02-000	BU17-19-090F	FB02-07-000
FB03	X		X	X			X	X	X	X	X	X	X	X	X	X	X	8/85	12/88	X	X	X		X	X									FC33*-100001-	N326-02-000	M582-03-000	FB03-07-000
FB04	X			X	X		X	X	X	X	X	X	X	X	X	X	X	8/85	12/88	X	X	X		X	X									FC33*-100001-	N327-02-000	BU17-19-090F	FB04-07-000
FB07	X		X	X			X	X	X	X	X	X	X	X	X	X	X	8/85	12/88	X	X	X												FC33*-100001-	N326-02-000	M582-03-000	FB07-07-000
FB08	X			X	X		X	X	X	X	X	X	X	X	X	X	X	8/85	12/88	X	X	X												FC33*-100001-	N327-02-000	BU17-19-090F	FB08-07-000
FB11	X		X	X			X	X	X	X	X	X	X	X	X	X	X	8/85	12/88	X	X	X												FC33*-100001-	N326-02-000	M582-03-000	FB07-07-000
FB12	X			X	X		X	X	X	X	X	X	X	X	X	X	X	8/85	12/88	X	X	X												FC33*-100001-	N327-02-000	BU17-19-090F	FB08-07-000
FB39	X		X	X	X	X	X	X	X	X	X	X	X	X	X	X	X	8/85	12/88	X	X	X	X	X	X									FC33*-100001-	N326-02-000	M582-03-000	FB01-07-000
FB40	X			X	X	X	X	X	X	X	X	X	X	X	X	X	X	8/85	12/88	X	X	X	X	X	X									FC33*-100001-	N327-02-000	BU17-19-090F	FB02-07-000
FB41	X		X	X			X	X	X	X	X	X	X	X	X	X	X	8/85	12/88	X	X	X		X	X									FC33*-100001-	N326-02-000	M582-03-000	FB03-07-000
FB42	X			X	X		X	X	X	X	X	X	X	X	X	X	X	8/85	12/88	X	X	X		X	X									FC33*-100001-	N327-02-000	BU17-19-090F	FB04-07-000
FB43	X		X	X	X	X	X	X	X	X	X	X	X	X	X	X	X	8/85	12/88	X	X	X												FC33*-100001-	N326-02-000	M582-03-000	FB01-07-000
FB47		X	X	X			X	X		X	X		X	X		X	X	2/86	12/88		X	X											FC33*-500001-	N332-02-000	R526-03-000	FB46-07-000	
FB69	X		X	X			X	X	X	X	X	X	X	X	X	X	X	11/85	12/88	X	X	X												FC33*-100001-	N326-02-000	M582-03-000	FB03-07-000
FB55	X		X	X			X	X	X	X	X	X	X	X	X	X	X	6/86	12/88		X	X											FC33*-500001-	N326-02-000	M582-03-000	FB55-07-000	
FB56	X			X	X		X	X	X	X	X	X	X	X	X	X	X	6/86	12/88		X	X											FC33*-500001-	N327-02-000	BU17-19-090F	FB56-07-000	
FB57	X		X	X			X	X	X	X	X	X	X	X	X	X	X	6/86	12/88		X	X											FC33*-500001-	N326-02-000	M582-03-000	FB55-07-000	

* 13B ENGINE.

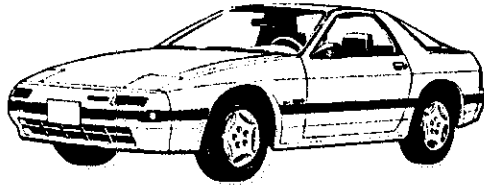
MODEL IDENTIFICATION

MODEL NO.	ENG*		T/M	BODY		ROOF		SUSP		DIFF	BRK		SUSP		SEAT		PERIOD		YEAR			TRIM LEVEL										VW (CHASSIS #)	COMPLETE ASSEMBLY UNIT					
	W/O	W/TURBO	S	A	C	C	N	S	W/O	W/A	N	L	W/O	W/A	N	H	2	2	F	T	1	1	1	B	L	S	S	G	G	T	C		1	PART NUMBER	ENGINE	T/MISSION	CABIN	
	TURBO	TURBO	PEED	UTO	OUPE	ONV	NORM	SUNROOF	W/O	W/A	NORM	LIMSLIP	W/O	W/A	NORM	HARD	SEATER	FROM	TO	986	987	988	BASE	LPKG	SPORT	SPORT	GTU	GXL	TURBO	CONV	10TH ANN		ED					
FB58	X			X	X		X		X		X	X	X	X	X	X	X	6/86	12/88		X	X							X						FC33*-500001-	N327-02-000	BU17-19-090F	FB56-07-000
FB61		X	X		X		X	X		X		X	X	X	X	X	X	6/86	12/88		X	X							X						FC33*-500001-	N332-02-000	R526-03-000	FB61-07-000
FB77	X		X		X		X		X	X		X	X	X	X	X	7/87	12/88				X					X	X						FC33*-600001-	N326-02-000	M582-03-000	FB01-07-000	
FB78	X		X		X		X	X		X		X	X	X	X	X	7/87	12/88				X					X	X						FC33*-600001-	N326-02-000	M582-03-000	FB03-07-000	
FB68	X		X		X		X		X		X	X	X	X	X	X	7/87	12/88				X									X			FC351-100001-	N338-02-000	M50N-03-000	FB67-07-000	
FB79		X	X				X	X		X	X		X	X	X	X	2/88	12/88				X									X			FC33*-500001-	N332-02-000	R526-03-000	FB79-07-000	

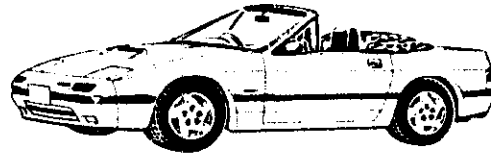
* 13B ENGINE.

MODEL IDENTIFICATION

COUPE



CONVERTIBLE



COMBINATION LIST OF BODY PAINTS AND INTERIOR COLORS

BODY PAINT		INTERIOR COLOR CODE -						EFFECTIVE DATE
NAME	CODE	COUPE			CONV.			
ARCTIC SILVER METALLIC	J5		FD5	FD6		FD5	FD6	
TORONADE SILVER METALLIC	K8	FD2	FD5					
BRILLIANT BLACK	PZ	FD2	FD5			FD5		860402-
SUNRISE RED	RH	FD2	FD5			FD5		
CRYSTAL WHITE	UC				FD7			880215-
NOBLE WHITE	WY			FD6			FD6	
SATIN GOLD METALLIC	1A	FD2						
CLARET MICA	2H		FD5					870701-
SAPPHIRE BLUE METALLIC	5A		FD5	FD6			FD6	
PURE RED	NP		FD5					860402-
DOVER WHITE	WU	FD2	FD5	FD6				860402-
ROYAL MAROON METALLIC	3A	FD2	FD5					861225-

INTERIOR COLOR CODES

- FD2 = RED
- FD5 = GRAY
- FD6 = BLUE
- FD7 = BLACK

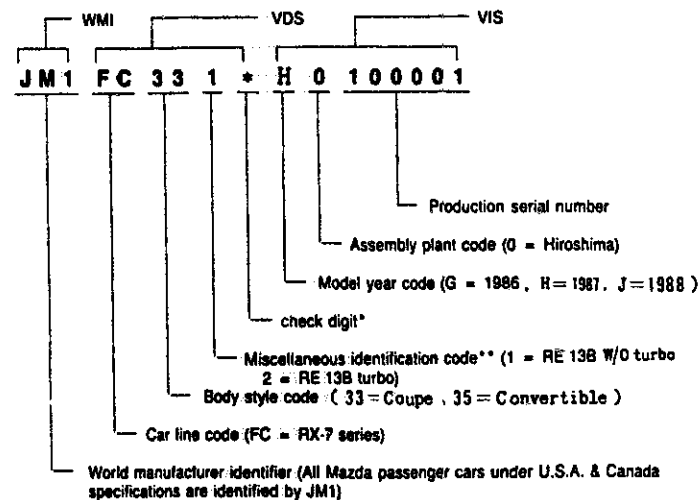
VIN BREAKDOWN

- 860402 FC33° -140427
- 861225 FC33° -528438
- 870701 FC33° -600001

VEHICLE IDENTIFICATION SYSTEM FOR RX-7

SERIES (1986~1988)

VIN (= Vehicle Identification Number) for RX-7 series (1986~1988 Year Model) consists of WMI (= World Manufacturer Identifier), VDS (= Vehicle Description Section) and VIS (= Vehicle Identification Section). VDS consisting of six alphanumeric characters denotes the "MODEL SERIES". VIS consisting of eight alphanumeric characters denotes the serial unit number of vehicle and is sequentially numbered within each VDS.

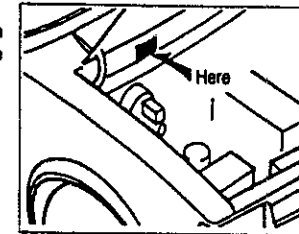


* Check digit is included as a VIN security feature to permit law enforcement verification of the authenticity of a suspected illegal VIN plate. This single digit number is determined, based upon a complex mathematical formula which is applied to each vehicle's VIN number.

** Miscellaneous Identification Code identifies major components such as engine, brake system, cab type, etc.

LOCATION OF VIN PLATE

The plate is attached to the top ledge of the dash panel under the bonnet (engine hood), refer to the illustration shown right.



[NOTE]

If the VIN (chassis) reference number in the PCM (Parts catalog microfiche) appeared as:

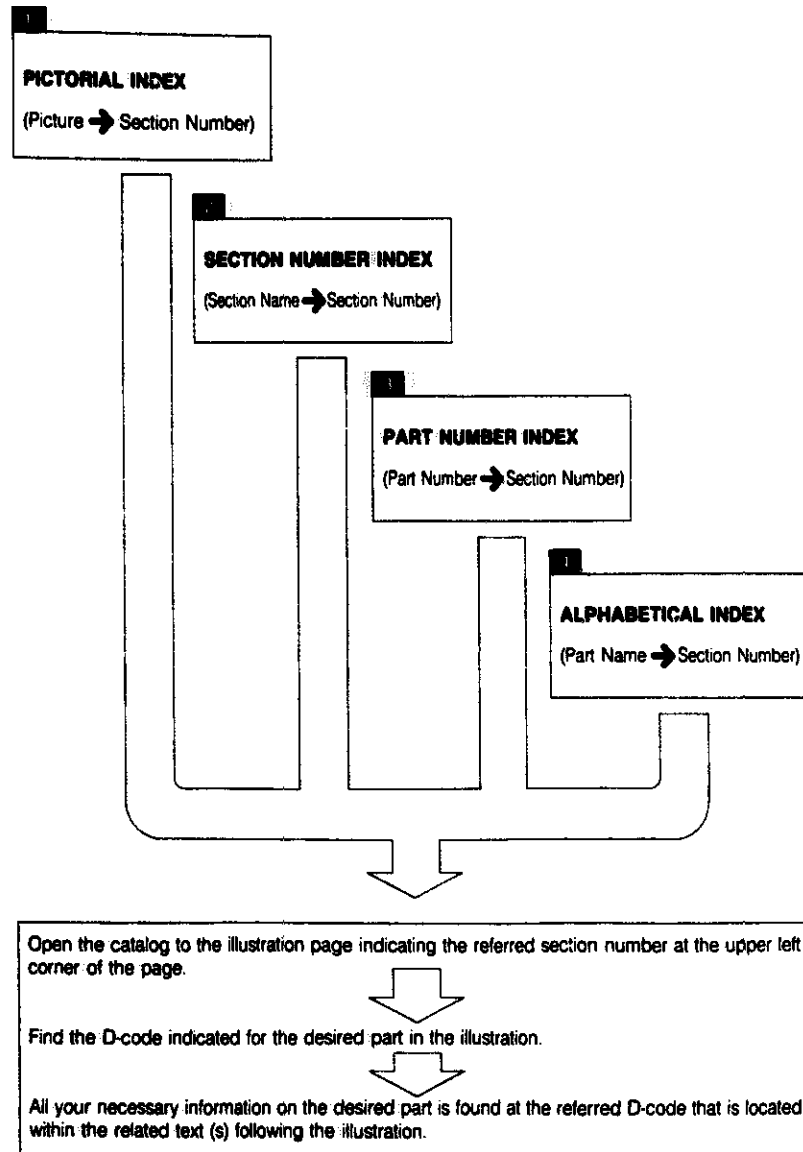
FC33 *-100001

..... the vehicle's VIN would be e.g. FC3311H0100001.

INSTRUCTIONS

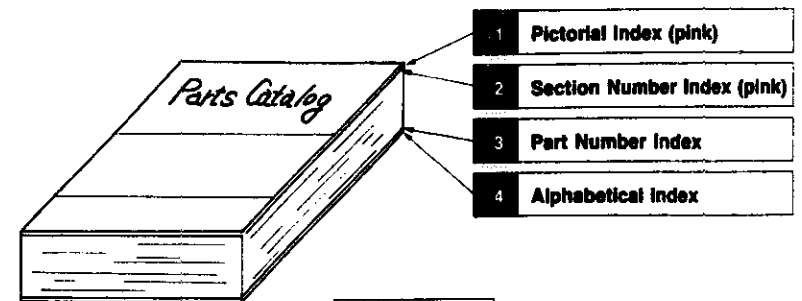
HOW TO LOCATE PARTS

There are four approaches to locate parts as follows.



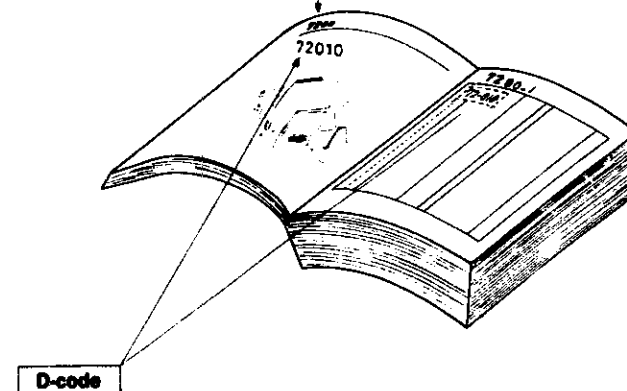
IMPORTANT

If you are not sure which parts catalog compiled to cover the model you are researching, refer to **MODEL IDENTIFICATION** and/or **VEHICLE IDENTIFICATION SYSTEM** located at the very front part of the parts catalog



Section Number

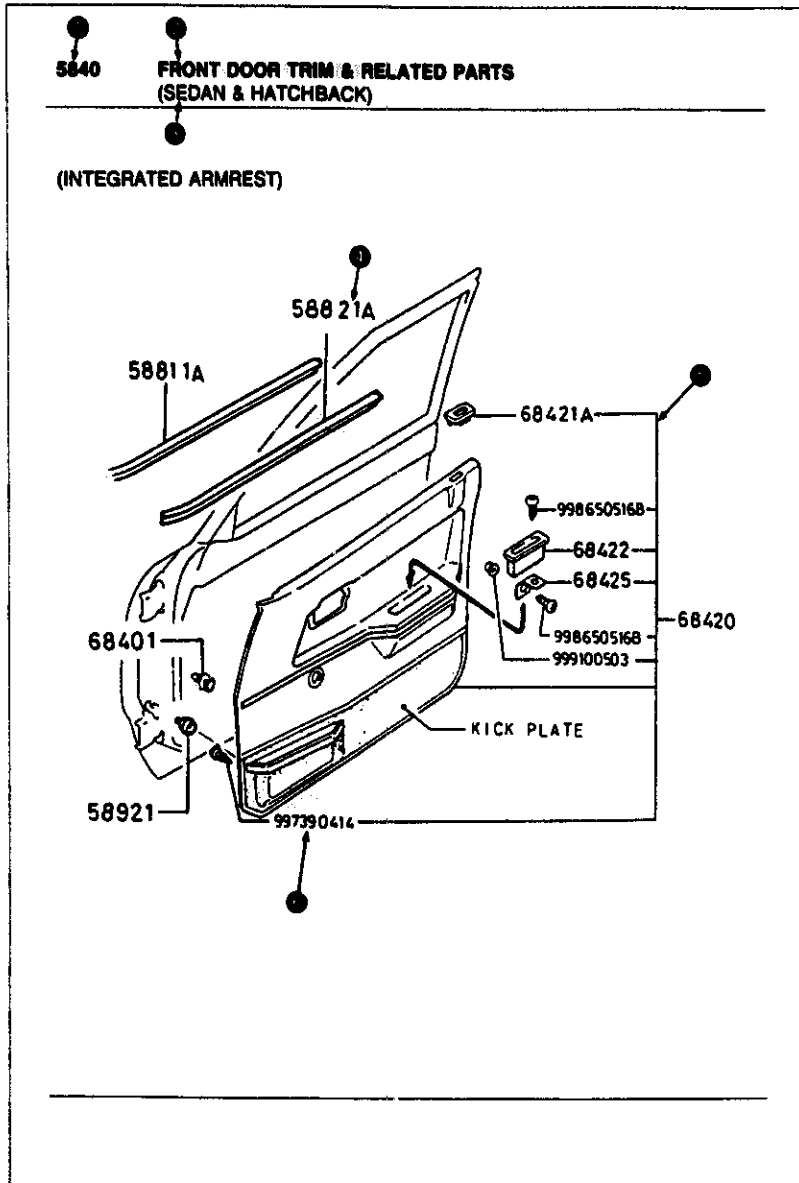
The illustration and related text pages are compiled in numerical sequence by section number through the parts catalog. However, there is one exception : the section number, "0900 key sets" is always located in the first part of Body group.



In the text, the D-codes and the related information are listed in the alphabetical and numerical sequence by D-code within each section number

HOW TO INTERPRET THE ILLUSTRATION

In the example shown below, each item is interpreted as follows.



1 SECTION NUMBER

Each illustration is identified by Section Number which indicates the group of parts classified by function.

2 SECTION NAME

3 SECTION'S APPLICATION

The section's application is indicated in parentheses () below the section name when the affected illustration/text is applicable to specific model, certain period of the production, etc.

4 D-CODE (KEY NUMBER)

The D-code consisting of five or six digits serves as a "KEY NUMBER" to co-ordinate a drawing with its detail information in the text.

5 RELATIONSHIP BETWEEN ASSEMBLY AND ITS COMPONENTS

The relationship between an Assembly and its Components is illustrated only by drawing. The example shown left denotes that D-code 68420 includes D-codes, 68421A, 68422 and 68425 and standard part numbers, 998650516B, 999100503 and 997390414.

6 STANDARD PART NUMBER

Nine or ten-digit number which appears in the illustration is standard part number. The standard part number indicated in the illustration instead of D-code does not appear in the related text.

HOW TO INTERPRET THE TEXT

In the example shown below, each item is interpreted as follows.

PART NO.	QT	MODEL RESTRICTION	MODE RESTRICTION	MODEL RESTRICTION	FROM-TO		
5840-2 FRONT DOOR TRIM & RELATED PARTS (SEDAN & HATCHBACK)							
58-921		FASTENER	AGRAFE, GARNITURE	FUADOR, DECORACION			
G030-68-401	22	CE > SDN	MOT CONV > BRLN	MG > SDN	-3315		
C (G030-68-401A)		CE > HB	MOT CONV > A/HYO AR	MG > DPT			
G030-68-401A	22	CE > SDN	MOT CONV > BRLN	MG > SDN	3315-		
		CE > HB	MOT CONV > A/HYO AR	MG > DPT			
68-420		TRIM(R), DOOR	GARNITURE (D), PORTE	MOLDURA (DER), PUERTA			
GB06-68-420B	1	(INTEGRATED ARMREST)	(APPUJ-BRAS INTEGRE)	(DESCANSABRAZO INTEGRADO)	-2B01		
		CE > SDN	MOT CONV > BRLN	MG > SDN			
		CE > HB	MOT CONV > A/HYO AR	MG > DPT			
00		BA1 BLACK	BA1 NOIR	BA1 NEGRO	-2B01		
A (GB06-68-420C00)							
10		BA2 RED	BA2 ROUGE	BA2 ROJO	-2B01		
A (GB06-68-420C10)							
GB06-68-420C	1	(INTEGRATED ARMREST)	(APPUJ-BRAS INTEGRE)	(DESCANSABRAZO INTEGRADO)	2B01-		
		CE > SDN	MOT CONV > BRLN	MG > SDN			
		CE > HB	MOT CONV > A/HYO AR	MG > DPT			
00		BA1 BLACK	BA1 NOIR	BA1 NEGRO	2B01-		
10		BA2 RED	BA2 ROUGE	BA2 ROJO	2B01-		
<table border="0" style="width: 100%;"> <tr> <td style="width: 50%; vertical-align: top;"> 2B01 GC221-503889 GC241-501129 3315 GC221-515671 GC241-504548 </td> <td style="width: 50%; vertical-align: top;"> G030-68-401 C G030-68-401A 01 9928-10-500 02 </td> </tr> </table>						2B01 GC221-503889 GC241-501129 3315 GC221-515671 GC241-504548	G030-68-401 C G030-68-401A 01 9928-10-500 02
2B01 GC221-503889 GC241-501129 3315 GC221-515671 GC241-504548	G030-68-401 C G030-68-401A 01 9928-10-500 02						

1 SECTION NUMBER

2 TEXT SEQUENCE NUMBER

The number following a hyphen denotes the text sequence number within each section number.

3 SECTION NAME

4 SECTION'S APPLICATION

5 D-CODE

In the text, D-codes and the related information are listed in the alphabetic and numeric sequence by D-code within each section number.

6 PART NAME

Part name is described for each D-code in one through three languages out of four languages such as English, French, Spanish and German.

The indicated languages vary, depending upon the market which the parts catalog is applicable to.

7 PART NUMBER

Under one D-code, if there are more than one part number due to the part change involved, the part numbers are listed in the sequence of the part production timing: the early used part number is shown first and the later one follows it.

8 INTERCHANGEABILITY CODE

One or two-digit alphabet appearing in the extrem left hand side of the text is an interchangeability code.

This code indicates the nature of interchangeability between the two part numbers shown in the right with parentheses and above.

The following interchangeability codes have been currently used in the parts catalog.

Code	Definition
A	One Way A new part can be used in place of the former part, but the former part cannot be used in place of the new part
AN	Both Way A new part and the former part are fully interchangeable
C	Plus A new part requires additional part(s) to be used in place of the former part
CG	Plus A new part requires additional part(s) and modification work to be used in place of the former part
G	Plus A new part requires modification work to be used in place of the former part
S	One Way Backward The former part can be used in place of a new part, but the new part cannot be used in place of the former part

① SUPERSEDING PART NUMBER

When a part is changed and new part is interchangeable with the former part, the new part number as the superseding part is shown in parentheses right under the former (superseded) part number.

② NEW PART NUMBER IDENTIFICATION

An asterisk (*) denotes that the indicated part number has been added since the last microfiche edition (not the last paper edition).
The microfiche parts catalog is rerised more frequently than the paper one.

③ QUANTITY

This denotes the quantity of the part used under the indicated D-code within each section number.

④ MODEL APPLICATION

Model application for each part number is described in one through three languages out of four languages such as English, French, Spanish and German.

⑤ PART USAGE RESTRICTION

Part usage restriction is shown for factory installed option parts to indicate under what condition the part is installed.
This information is also described in one through three languages.

⑥ COLOR CODE OF PART NUMBER

For color keyed parts, two-digit color code(s) appear(s) right under its basic part number consisting of nine or ten digits. The complete part number for color keyed parts consists of the basic part number (9 or 10 digits) and the color code (2 digits).

⑦ INTERIOR or PAINT CODE FOR VEHICLE

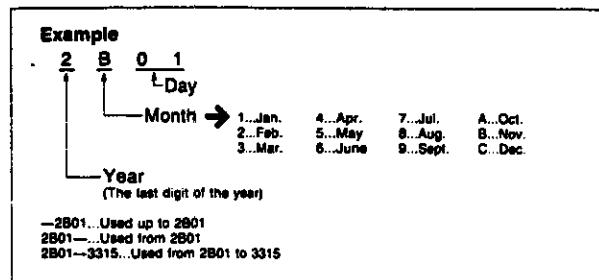
The applicable interior or paint code(s) for the vehicle is (are) indicated to each color code of part number.

⑧ COLOR DESCRIPTION OF PART

A color description of the part is indicated to each part's color code in one through three languages.

⑨ PART CHANGE DATE

When a part is added, changed or deleted, the effective date coded in four digits is shown as follows.

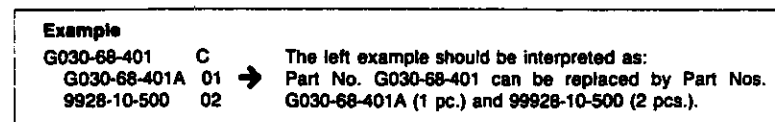


⑩ VIN NUMBER

The VIN number(s) related to the part change date is (are) shown in the footnote column, referring each date shown above.

⑪ MULTIPLE SUPERSESSION

Shown as the example is a multiple supersession identified by the interchangeability codes "C" and "CG": one part can be replaced by more than one part.
When the interchangeability codes "C" or "CG" appears in the text, a complete information on the multiple supersession will be shown in the footnote column of the same text.



HOW TO INTERPRET THE VIN APPLICATION

If the part change date appears as the example below:

PART NO.	QT	MODEL/RESTRICTION	MODEL/RESTRICTION	MODEL/RESTRICTION	FROM-TO
11-210		ROD, CONNECTING	BIELLE	BIELA	
● E301-11-210	4	1100 1300	1100 1300	1100 1300	-3801
● E301-11-210A	4	1100 1300	1100 1300	1100 1300	3801-4215
● E301-11-210B	4	1100 1300	1100 1300	1100 1300	4215-
<hr/>					
3801	BD1012	805912			
	BD1032	824340			
4215	BD1012	816750			
	BD1032	830192			

it should be interpreted:

- ① Part No. E301-11-210 is applicable to 1100 cc, from the initial production through BD1012 805911 (= 805912 minus 1) and 1300 cc, from the initial production through BD1032 824339 (= 824340 minus 1).
- ② Part No. E301-11-210A is applicable to 1100 cc, from BD1012 805912 through BD1012 816749 (= 816750 minus 1) and 1300 cc, from BD1032 824340 through BD1032 830191 (= 830192 minus 1).
- ③ Part No. E301-11-210B is applicable to 1100 cc, from and after BD1012 816750 and 1300 cc, from and after BD1032 83192.

Notes:

The parts catalog often shows the catalog designation VIN instead of the actual VIN. For the correct interpretation for the catalog designation VIN, refer to explanation in "Vehicle Identification System" shown in the extreme right row of the last microfiche in the set.

HOW TO INTERPRET THE SUPERSESSION

If the supersession information appears as the example below:


PART NO.	QT	MODEL/RESTRICTION
58-921		FASTENER
G030-68-401	22	1300
A (G030-68-401A)		1500
G030-68-401A	22	1300
		1500
Model Application for Part No. G030-68-401		
Interchangeability Code		
Superseding Part Number		
Color Code		
68-420		TRIM (R) DOOR
GB06-68-420A	1	
00		BA1 BLACK
A (GB06-68-420B00)		
10		BA2 RED
A (GB06-68-420B10)		
GB06-68-420B	1	
00		BA1 BLACK
10		BA2 RED
Interchangeability Code		
Superseding Part Number		

it should be interpreted:

- ① Part No. G030-68-401A can be used in place of part No. G030-68-401.
- ② Part No. GB06-68-420B00 can be used in place of part No. GB06-68-420A00.
- ③ Part No. GB06-68-420B10 can be used in place of part No. GB06-68-420A10.

HOW TO INTERPRET THE MODEL APPLICATION

If the model application and the usage restriction appear as the example below:

 Watch the information in parentheses ()!!

3210 -1 STEERING COLUMN
(SEDAN)

PART NO.	QT	MODEL/RESTRICTION	MODEL/RESTRICTION	MODEL/RESTRICTION
32-071	BUSH		BUSELURE	BUJE
8001-32-071	1			
32-100	SHAFT, ENCY. ABSORBER		COLONE TELESCOPIQUE	EJE, AMORTIQUAD
BA29-32-100A	1	(W/POWER STEERING) 1300 > MT 1500 > MT	(A/DIRECTION ASSISTEE) 1300 > B. V. MANU 1500 > B. V. MANU	(C/DIRCCION DE POTENCIA) 1300 > TM 1500 > TM

it should be interpreted:

- ① Part No. 8001-32-071 is applicable to all the Sedans covered by this particular catalog.
- ② Part No. BA29-32-100A is applicable to Sedan 1300 Manual Trans. and Sedan 1500 Manual Trans in case they are equipped with the power steering.

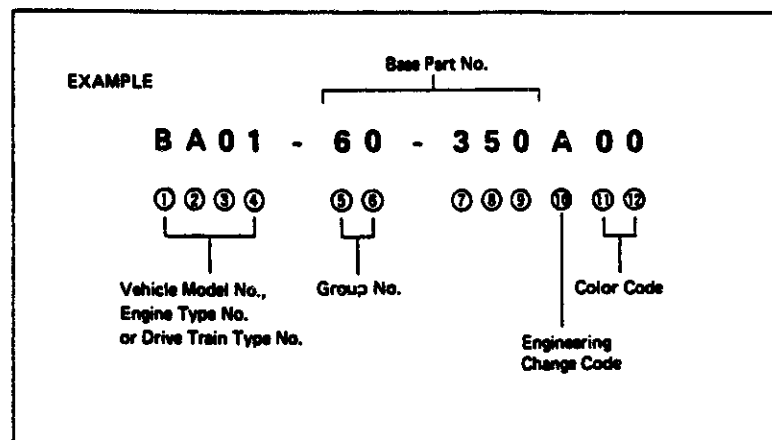
MAZDA PART NUMBERING SYSTEM

Mazda Part Numbers are generally classified into three categories:
General Service Parts & Accessories, Standard Parts and Special Tools.

Note: Mazda Part Number consists of numeric and alphabet letters. In order to avoid the confusion due to similar characters among number and alphabet, alphabet letters I and O are not used in the part number. However, these letters are rarely used in 10th digit of the part number as an exception.

MAZDA GENERAL SERVICE PARTS & MAZDA ACCESSORIES

These part numbers basically consist of nine or ten digits. The 10th digit (if applicable) identifies the engineering change of the part. The color keyed part, however, consists of twelve digits since two-digit color code are added to nine or ten-digit number to identify its color.



Note: In case the engineering change is not made to a part, the 10th digit of the part number is left blank even for the color coded part, e.g.,

BA01-60-350 00

Blank

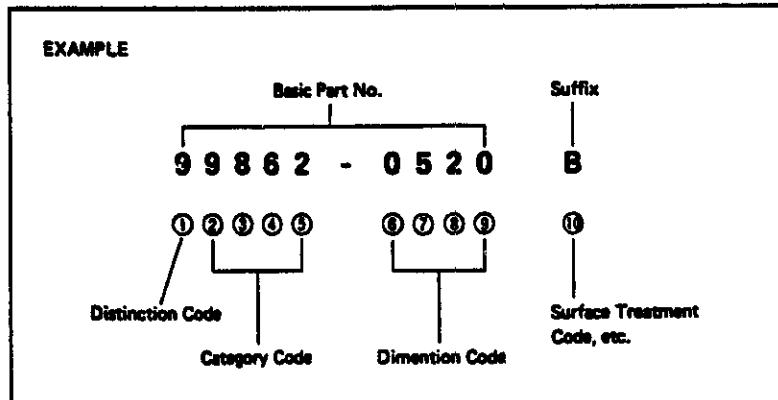
MAZDA STANDARD PARTS

The Parts standardized in form and dimension such as Bolts, Nuts, Washers, Hoses, Disc Wheels, etc. are called Mazda Standard Parts.

All Mazda Standard Part Numbers are identified by "9" in the first digit. The numbering structure of Standard Parts varies, depending upon the type of part.

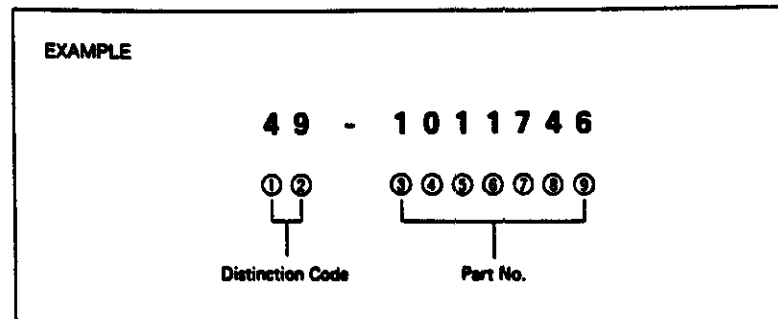
The following is just one example of Standard Part Number.

For further details and examples, refer to the wall chart, "LIST OF STANDARD PARTS".



MAZDA SPECIAL TOOLS

In order to repair Mazda Vehicles, several special tools are required. These are called Mazda Special Tools. Mazda Special Tools are identified by the Part Number starting with "49".



ABBREVIATION LIST

ABBREV.	MAY REPLACE	ABRREV.	MAY REPLACE
1ST	First	CAL.	California
2ND	Second	CASS.	Cassette
3RD	Third	CAT.	Category
4TH	Fourth	Cd	Coefficient Of Drag
4 SPD	Four Speed	CD	Compact Disk
4WS	Four Wheel Steering	C.G.R.	Constant Gear Ratio
4WD, 4X4	Four Wheel Drive	CHG.	Change
5TH	Fifth	CHK.	Check
5 SPD	Five Speed	CHMBR	Chamber
		CHN.	Chain
AA.	Anti Afterburn	CIGAR.	Cigarette
A.A.S.	Auto Adjusting Suspension	Cl	Coefficient Of Lift
ABS	Anti Lock Braking System	CLPR	Caliper
A/C	Air Conditioning	CVTR.	Converter
A.C.C.	Automatic Cruise Control	COMB.	Combination
ACCEL.	Accelerator	COND.	Condenser
A.C.V.	Air Control Valve	COMP.	Compressor
A.E.	Acoustical Equalizer	CONV.	Convertible
ALUM	Aluminum	C/P	Cab Plus
ALL	Automatic Load Leveling	C.S.D.	Cold Start Device
ALT.	Altimeter	CSTG.	Coasting
AMP.	Amplifier	CTR.	Center
ANT.	Antenna	CTRL.	Control
APR.	April	CV	Constant Velocity
ASSY.	Assembly	CVR.	Cover
A/T	Automatic Transmission	CYL.	Cylinder
AUG.	August		
AUTO.	Automatic	DASH.	Dashboard
		Db	Decibels
BAL.	Balance	DEC.	December
BELT.	Beltline	DEF.	Defroster
BFGR	B. F. Goodrich	DIAPH	Diaphragm
BRDG	Bridgestone	DIFF.	Differential
BRG.	Bearing	DNLP	Dunlop
BRKT.	Bracket	DOHC	Double Overhead Camshaft
BRN.	Brown	DSL.	Diesel
BLK.	Black	DTSS	Dynamic Tracking Suspension System
BLU.	Blue		Deluxe
BMPR.	Bumper	DX	
B.S.V.	Bleed Solenoid Valve	ECAT	Electronically Controlled A/T
BULL.	Bulletin	EGI	Electronic Gas Injection
BW	Black Wall	EGR	Exhaust Gas Recirculation

ABBREVIATION LIST

ABBREV.	MAY REPLACE	ABBREV.	MAY REPLACE
ELEC.	Electric	INN.	Inner
ENG.	Engine	INT.	Interior
ETR	Electronically Tuned Radio	INTMT.	Intermittent
		INJ.	Injector, Injected
EXC.	Except	I.R.S.	Independent Rear Suspension
EXH.	Exhaust		
EXT.	Extension	JAN.	January
EQ	Equalizer	JUL.	July
		JUN.	June
FEB.	February		
FED.	Federal	KG	Kilogram
F.I.	Fuel Injection	KM	Kilometer
FLEX	Flexible	KW	Kilowatt
F/LID	Fuel Lid		
FRT.	Front	(L), LT	Left
FRST	Firestone	L=	Length
FSTNR.	Fastener	LCD	Liquid Crystal Display
		L/B	Long Bed
G	Gram	LH	Left Hand
GAS.	Gasoline	LPG	Liquid Petroleum Gas
GDYR	Goodyear	L.S.D.	Limited Slip Differential
GEN.	General		
GOV.	Governor	LWR	Lower
GRN.	Green	LX	Luxury
GRY.	Gray		
GSKT.	Gasket	M	Metallic
		MAR.	March
H.A.C.	High Altitude Compensator	MC	Mica
HARN.	Harness	MCHN	Michelin
H/B	Hatchback	MLDG.	Moulding, Mould
HD.	Head	MM	Millimeter
H/DUTY	Heavy Duty	MNFLD.	Manifold
HDWE.	Hardware	MPX	Multiplex
HI. ALT.	High Altitude	MSTR.	Master
HSG.	House, Housing	M/T	Manual Transmission
HTR.	Heater	MTG.	Mounting
		MTR	Manually Tuned Radio
IC	Integrated Circuit		
ID	Inside Diameter	N=	Number Of Teeth
IGN.	Ignition	N/A	Not Available
ILLUM.	Illumination, Illuminated	N/B	Notchback
		NO.	Number
INCL	Includes	NORM.	Normal
IND	Indicator	NOV.	November
INFO.	Information		
INST.	Instrument		

ABBREVIATION LIST

ABBREV.	MAY REPLACE	ABBREV.	MAY REPLACE
OCT.	October	SPEC.	Specification
OD	Outer Diameter	SPEEDO.	Speedometer
O/DRIVE	Overdrive	SPG.	Spring
OHC	Overhead Camshaft	SPKR.	Speaker
OPT.	Optional	SPRKT.	Sprocket
O.S.	Oversize	SRS	Supplemental Restraint System
OUT.	Outer	STAB.	Stabilizer
PANSC	Panasonic	STD.	Standard
PARK.	Parking	STRG.	Steering
PB	Parking Brake	S/ROOF	Sunroof
PCV	Positive Crankcase Ventilation	SUSP.	Suspension
PIN.	Pinion	S/W	Station Wagon
PKG	Package	SW.	Switch
PLR	Pillar	SYNC.	Synchronizer
PROD.	Production	T-	Thickness
P/S	Power Steering	TEMP.	Temperature
P/TRIM	Pillar Trim	THERMO.	Thermostat
PTH	Phillips Truss Head	TMG.	Timing
PWR.	Power	T/MISSION	Transmission
QTR.	Quarter	TRK.	Truck
QTY.	Quantity	T/LID	Trunk Lid
(R), RT	Right	T/S	Touring Sedan
RH	Right Hand	TTL	Twin Trapezoidal Links
RAD.	Radiator	TURBO	Turbocharged
REINF.	Reinforcement	UP.	Upper
REG.	Regular	U.S.	Undersize
REGUL.	Regulator	VAC.	Vacuum
REL.	Release	V.G.R.	Variable Gear Ratio
REM.	Remote	VPV	Variable Port Valve
RET.	Return	VNL.	Vinyl
REV.	Reverse	W-	Width
RR.	Rear	W/	With
RWL	Raised White Letters	W/P	Water Pump
S/B	Short Bed	WGN.	Wagon
S/ROD	Shift Rod	WHL.	Wheel
S/S	Supercession	W/O	Without
SDN.	Sedan	WHT.	White
SEP.	September	W/SHIELD	Wind Shield, Screen
SERV.	Service	WTR.	Wind Screen
SLND.	Solenoid	W/W	Water
SOHC	Single Overhead		White Walls

mazda

1986-88 RX-7 ACCESSORIES

AERO

0000-86-325 - Wing Spoiler
F061-V4-920 -0F - Factory Spoiler

AIR CONDITIONER

Refer to Accy. Bulletin XA-1 for Air Conditioner information.

ALARM

0000-88-1901 - Electronic Shock Sensor
Refer to Accy. Bulletin XG-6 for Alarm information.

ARM REST

Refer to Accy. Bulletin XN-1 for replacement parts.

BATTERY

0000-80-126F
Refer to Accy. Bulletin XG-4 for Battery information.

BLOCK HEATER

0000-88-6600
Refer to Accy. Bulletin XG-5 for installation information.

CAR COVER

0000-88-092A - Evolution 3 Blue
0000-88-090 -LK - Lock Kit
Refer to Accy. Bulletin XG-8 for more Car Cover information.

CARGO COVER

FB01-V1-350 -1F - Red
FB01-V1-350 -5F - Blue
FB01-V1-350 -7F - Grey

CIGARETTE LIGHTERS

B001-66-252

CRUISE CONTROL

8AF1-66-340 - Coupe
8AF2-66-340 - Convertible
Refer to Accy. Bulletin XG-7 for more Cruise Control information.

DOOR EDGE GUARDS

0000-88-3199-BK - Black Universal Type

FLOOR MATS

0000-88-7688-05 - Gray Plush Mat
0000-88-7688-11 - Wine Plush Mat
0000-88-7688-50 - Blue Plush Mat
0000-88-7688-TA - 10th Anniversary Edition Mat

FOG LIGHTS

0000-88-500A-R6 - Clear Complete Kit
Refer to Accy. Bulletin XE-4 for Fog Light parts information.

FRONT MASK

0000-88-0588 - GTU, w/o Air Dam

MUD GUARDS

F045-V3-350 -0F - Front Set
F045-V3-351 -0F - Front Left
F045-V3-352 -0F - Front Right
F045-V3-360 -0F - Rear Set
F045-V3-361 -0F - Rear Left
F045-V3-362 -0F - Rear Right

PAINT

Refer to Accy. Bulletin XE-2 for Touch-Up Paint information.

RACKS

0000-88-1077 - Piper Ski Rack
0000-88-1067 - Sport Rack
0000-88-1200 - Ski Attachment
0000-88-1300 - Bike Attachment
0000-88-1400 - Sail/Surf Attachment
0000-88-1500 - Luggage Attachment

STEREO EQUIPMENT

Refer to Accy. Bulletins XS-1, XS-2, and XS-3 for Audio information.

SUNROOF WIND DEFLECTOR

0000-86-3007

TIRES

Refer to Accy. Bulletins XE-1 for Tire information.

WHEEL LOCKS

0000-88-120C - Wheel Lock Set
0000-88-120C-BP - Lock Blister Pack
Refer to Accy. Bulletin XE-5 for more Wheel Lock information.

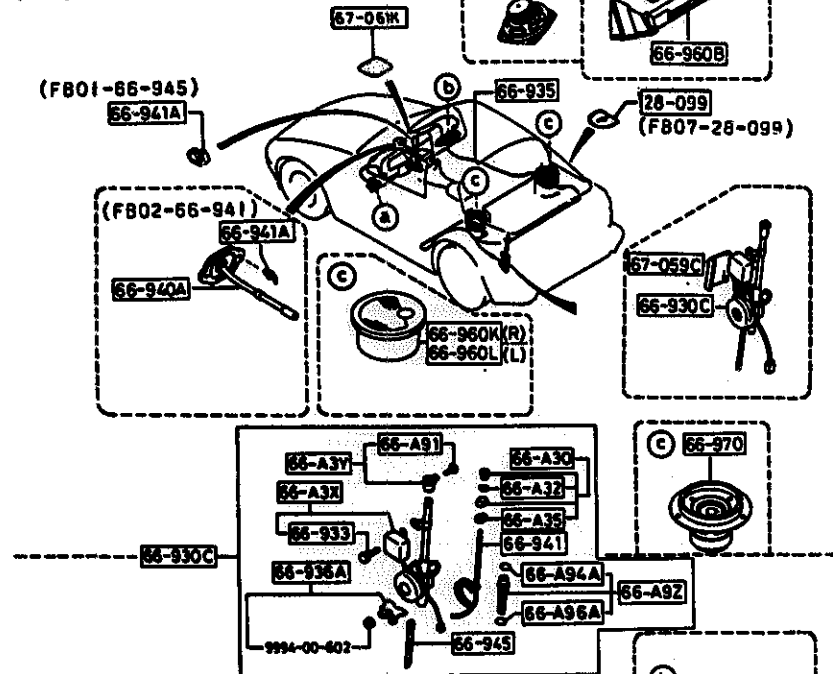
SECTION INDEX -- BODY

STARTING LOCATION	SECT. NO.	SECTION NAME	STARTING LOCATION	SECT. NO.	SECTION NAME	STARTING LOCATION	SECT. NO.	SECTION NAME
3 - C 3	6682	AUDIO SYSTEMS (ANTENNA & SPEAKER)	3 - E 6	6860AB	FLOOR MATS & PADS (CONVERTIBLE)			
3 - F 3	6684	AUDIO SYSTEMS (NOISE SUPPRESSOR & GROUND CORD)	3 - G 6	6865A	TRIM CLIPS & FASTENERS (COUPE)			
3 - G 3	6700	WIRING HARNESSSES (FRONT & REAR) (COUPE) (W/O ANTI-LOCK BRAKE SYSTEM)	3 - H 6	6865AA	TRIM CLIPS & FASTENERS (CONVERTIBLE)			
3 - H 3	6700A	WIRING HARNESSSES (FRONT & REAR) (COUPE) (ANTI-LOCK BRAKE SYSTEM)	3 - J 6	6870	SERVICE TOOLS			
3 - I 3	6700B	WIRING HARNESSSES (FRONT & REAR) (CONVERTIBLE)	3 - C 7	6900A	VISORS, ASSIST HANDLES & MIRRORS			
3 - J 3	6701	WIRING HARNESSSES (ENGINE & T/MISSION) (COUPE) (W/O ANTI-LOCK BRAKE SYSTEM)	3 - H 7	6930	CAUTION PLATES & LABELS			
3 - K 3	6701A	WIRING HARNESSSES (ENGINE & T/MISSION) (COUPE) (ANTI-LOCK BRAKE SYSTEM)	3 - J 7	7250	QUARTER WINDOW & TRIMS			
3 - L 3	6701B	WIRING HARNESSSES (ENGINE & T/MISSION) (CONVERTIBLE)	3 - K 7	7800	SPOILERS & RELATED PARTS			
3 - M 3	6702	WIRING HARNESSSES (DASHBOARD) (COUPE) (W/O ANTI-LOCK BRAKE SYSTEM)	3 - L 7	7900	ACCESSORIES-CONSOLE LID			
3 - N 3	6702A	WIRING HARNESSSES (DASHBOARD) (COUPE) (ANTI-LOCK BRAKE SYSTEM)						
3 - C 4	6702B	WIRING HARNESSSES (DASHBOARD) (CONVERTIBLE)						
3 - D 4	6703	WIRING HARNESSSES (DOOR, FLOOR/CEILING)						
3 - E 4	6704	WIRING HARNESS CLAMPS						
3 - G 4	6720	WINDSHIELD WASHER						
3 - I 4	6730	WINDSHIELD WIPERS						
3 - J 4	6740	WIPER MOTOR COMPONENTS (FRONT)						
3 - K 4	6750	WINDOW WIPER & WASHER (REAR) (COUPE)						
3 - L 4	6760	WINDOW WIPER MOTOR COMPONENTS (REAR) (COUPE)						
3 - M 4	6800A	CEILING TRIMS (COUPE)						
3 - N 4	6800AB	CEILING TRIMS (CONVERTIBLE)						
3 - C 5	6810	ROLLBAR (CONVERTIBLE)						
3 - D 5	6820A	PILLAR TRIMS (COUPE)						
3 - E 5	6820AA	PILLAR TRIMS (CONVERTIBLE)						
3 - F 5	6840A	TRIMS & SCUFF PLATES (COUPE)						
3 - J 5	6840AB	TRIMS & SCUFF PLATES (CONVERTIBLE)						
3 - K 5	6845	STORAGE BOX (2-SEATER)						
3 - L 5	6860A	FLOOR MATS & PADS (COUPE) (W/O TURBO)						
3 - C 6	6860AA	FLOOR MATS & PADS (COUPE) (TURBO)						

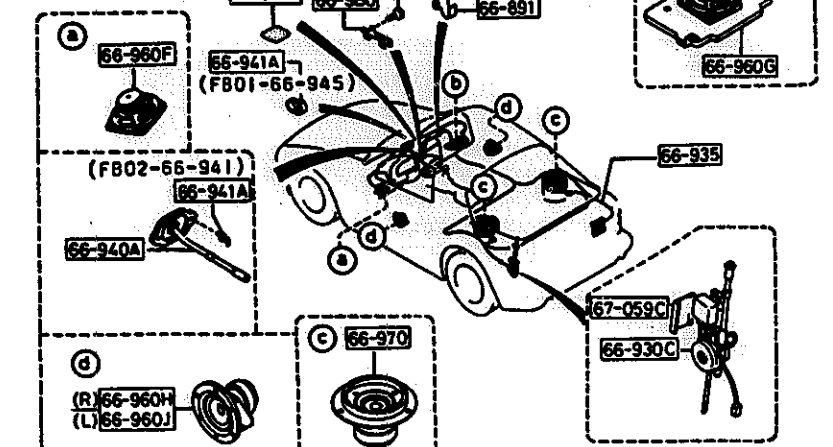
6682-1 AUDIO SYSTEMS (ANTENNA & SPEAKER)

(W/DECK,NORMAL GRILLE,W/O C.DISC)
 (W/FIN T. GRILLE,W/O C.DISC)
 (W/RADIO)
 (CPE)

(THIS ILLUSTRATION CONSISTS OF 2 PAGES)

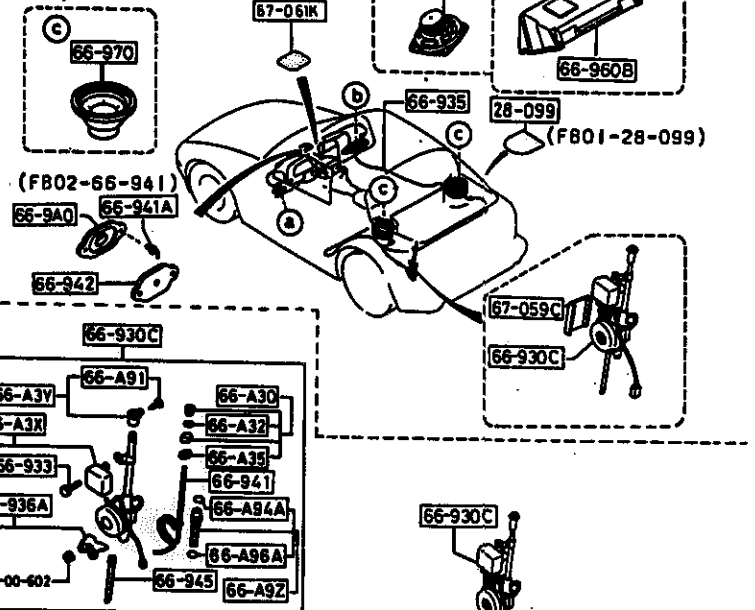


(W/NORMAL GRILLE,W/C.DISC)
 (W/C.DISC) (CPE)

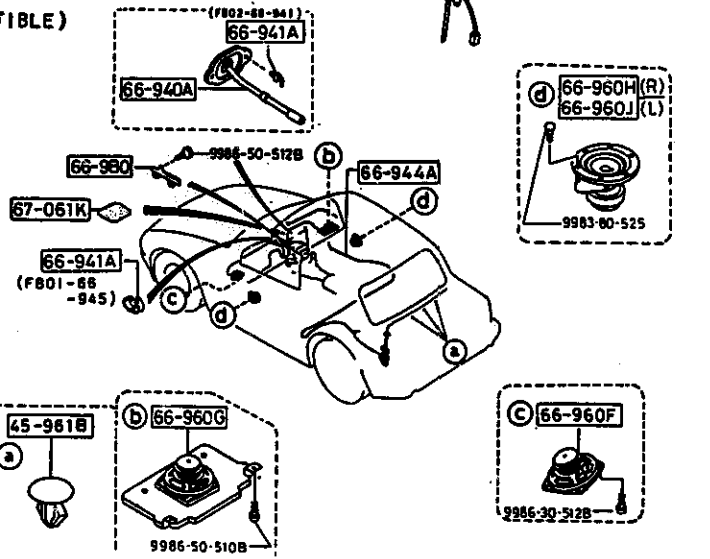


(W/NORMAL GRILLE,W/O C.DISC)
 (W/O DECK,W/NORMAL GRILLE)
 (W/RADIO)(W/O DECK)
 (CPE)

(THIS ILLUSTRATION CONSISTS OF 2 PAGES)



(CONVERTIBLE)



6682-2

AUDIO SYSTEMS (ANTENNA & SPEAKER)

ITEM NO.	D-CODE	DESCRIPTION	PART NO.	QTY	MODEL/DESCRIPTION	REMARKS
28 099		PAD, REAR SUSPENSION	FB01-28-099	2	W/O C.D. W/ NORMAL GRILLE	5818-5901
				4	W/O C.D. W/ NORMAL GRILLE	5901-
			FB07-28-099	1	W/O C.D. W/ FINE GRILLE	5818-5901
				2	W/O C.D. W/ FINE GRILLE	5901-
45 961B		CAP	H002-45-961	3	CONV.	
66 891		CLIP	FB12-66-9B0	1	W/ C.D.	-5A25
				2	W/ C.D.	5A25-6B01
66 930C		ANTENNA, MOTOR-RADIO	0000-81-9301	1	CONV.	
			0000-81-930A	1	COUPE	
66 933		SCREW, ANTENNA	FB01-66-A92	1		
66 935		FEEDER-ANTENNA	FB67-66-940B	1	CONV. W/O C.D.	
			FB68-66-940B	1	CONV. W/ C.D.	
			FB12-66-940A	1	COUPE W/O C.D.	
			FB11-66-940B	1	COUPE W/ C.D.	
66 936A		BRACKET, MOTOR-ANTENNA	FB01-66-A9X	1		
66 940A		FEEDER & COVER	FB02-66-940B	1		
66 941		POLE, ANTENNA	0000-66-A901	1		
66 941A		CLIP	FB02-66-941	2		
			FB01-66-945	1		
66 942		COVER, SOUND PROOF	FB02-66-942A	1	W/O CASS.	
66 945		PIPE	FB01-66-A9Y	1		
66 960		SPEAKER, LOUD-FRONT	0000-81-56SP-01	1	W/ RADIO	
66 960B		SPEAKER, BOX & AMPLIFIER	0000-81-56BX-01	1	W/ RADIO	
66 960F		SPEAKER (R), LOUD-FRONT	0000-81-1022	1	W/ C.D.	
66 960G		SPEAKER (L), LOUD-FRONT	0000-81-1023	1	W/ C.D.	
66 960H		SPEAKER (R), LOUD-DOOR	0000-81-6021	1	W/ C.D.	
66 960J		SPEAKER (L), LOUD DOOR	0000-81-6022	1	W/ C.D.	
66 960K		SPEAKER (R), LOUD-RR.	0000-81-5612-01	1	W/O C.D.	
66 960L		SPEAKER (L), W/ BOX & AMPLIFIER	0000-81-5613-01	1	W/O C.D.	
66 970		SPEAKER, LOUD-REAR	0000-81-5217-01	2	W/O CASS. W/ NORM. GRILLE	
			0000-81-1024	2	W/ C.D. W/ NORM. GRILLE	
			0000-81-5622-01	2	W/ CASS. W/ NORM. GRILLE W/O C.D.	
66 9A0		COVER, FEEDER-ANTENNA	FB01-66-9A0A	1	W/O CASS.	
5818	FC33*	-100109				
5901	FC33*	-102044				
5A25	FC33*	-112370				
6B01	FC33*	-507386				

SEE ILLUSTRATION/S AT FRAME 3 - C 3

6682-3

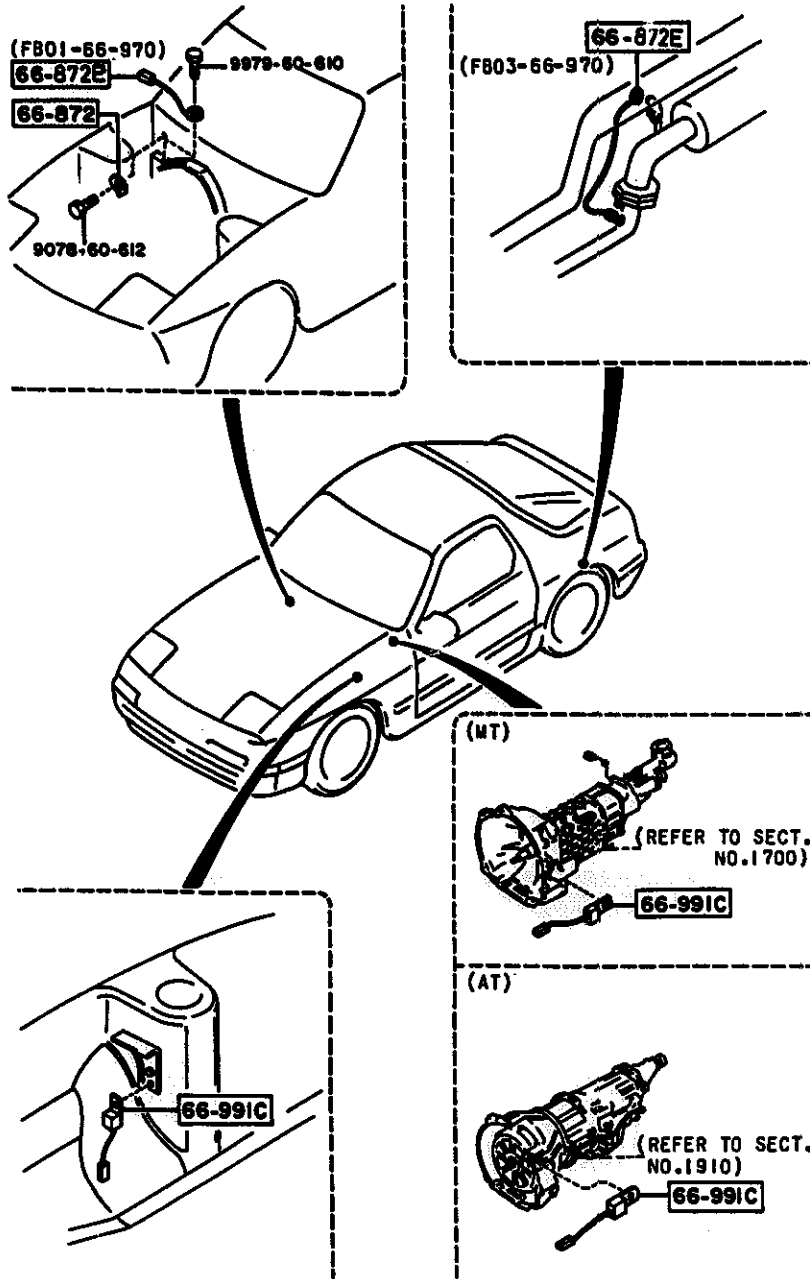
AUDIO SYSTEMS (ANTENNA & SPEAKER)

ITEM NO.	D-CODE	DESCRIPTION	PART NO.	QTY	MODEL/DESCRIPTION	REMARKS
66 980		BRACKET, CORD-AUDIO	FB11-66-980	1	W/ C.D.	-6801
66 A30		NUT, MOUNTING-ANTENNA	FB01-66-A30	1	COUPE	
			FB67-66-A30	1	CONV.	
66 A32		O-RING, MOUNTING-ANTENNA	FB01-66-A32	1		
66 A35		PAD, MOUNTING-ANTENNA	FB01-66-A35	1	COUPE	
			FB67-66-A35	1	CONV.	
66 A3X		RELAY, MOTOR-ANTENNA	FB01-66-A3X	1	COUPE	
			HE02-66-A3X	1	CONV.	
66 A3Y		PLATE, EARTH-MOTOR ANTENNA	FB01-66-A3Y	1	COUPE	
			FB67-66-A3Y	1	CONV.	
66 A91		SCREW, EARTH PLATE-ANTENNA	FB01-66-A91	1		
67 059C		PAD, PROTECTOR	G001-67-059	1	COUPE	
67 061K		PAD, PROTECTOR	G001-67-061	1		
6801 FC33* -507386						

SEE ILLUSTRATION/S AT FRAME 3 - C 3

6684-1

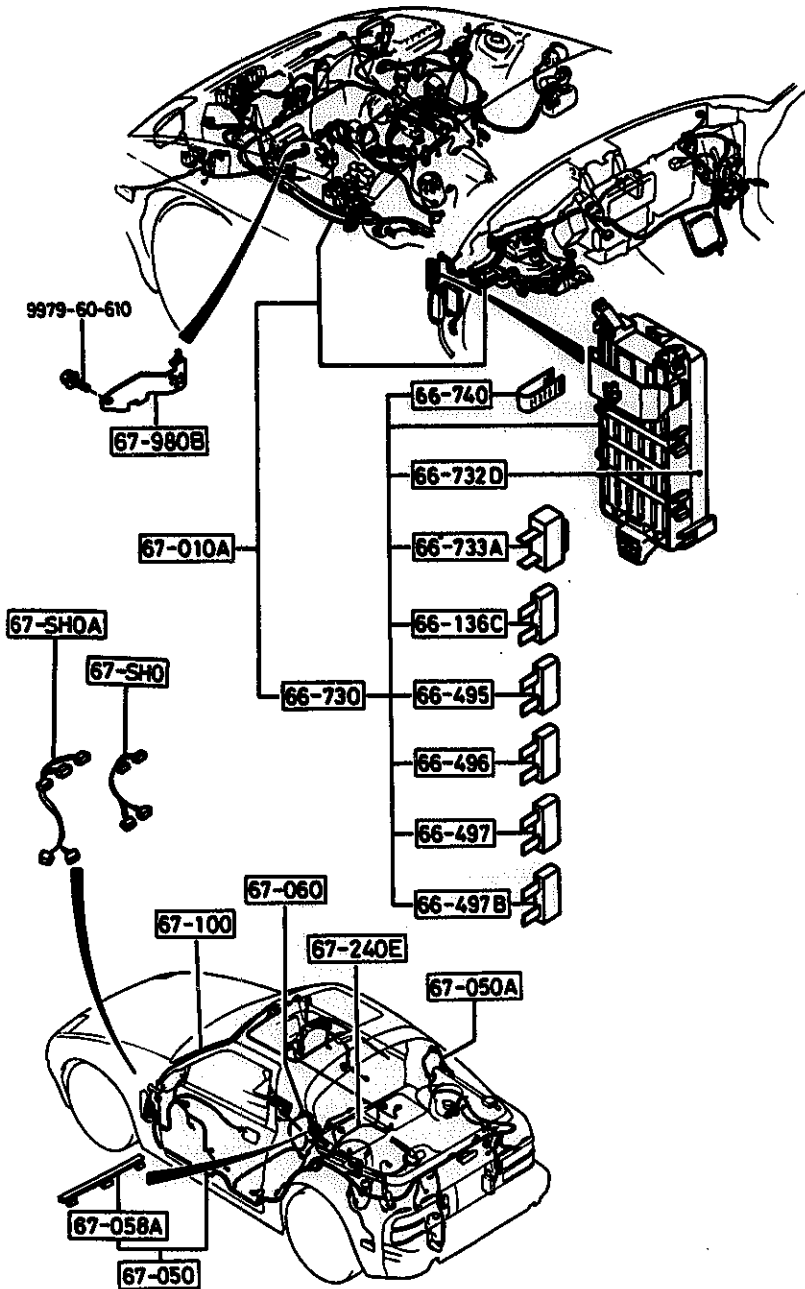
AUDIO SYSTEMS (NOISE SUPPRESSOR & GROUND CORD)



ITEM NO.	D-CODE	DESCRIPTION	PART NO.	QTY	MODEL/DESCRIPTION	REMARKS
66 872		TAB, EARTH	FB01-66-994A	1		
66 872E		CORD, GROUND	FB01-66-970	1	T/MISSION CASE - DASHBOARD	
			FB03-66-970	1	EXHAUST PIPE - BODY	
66 991C		CONDENSER	FB01-66-991B	2		

6700-1

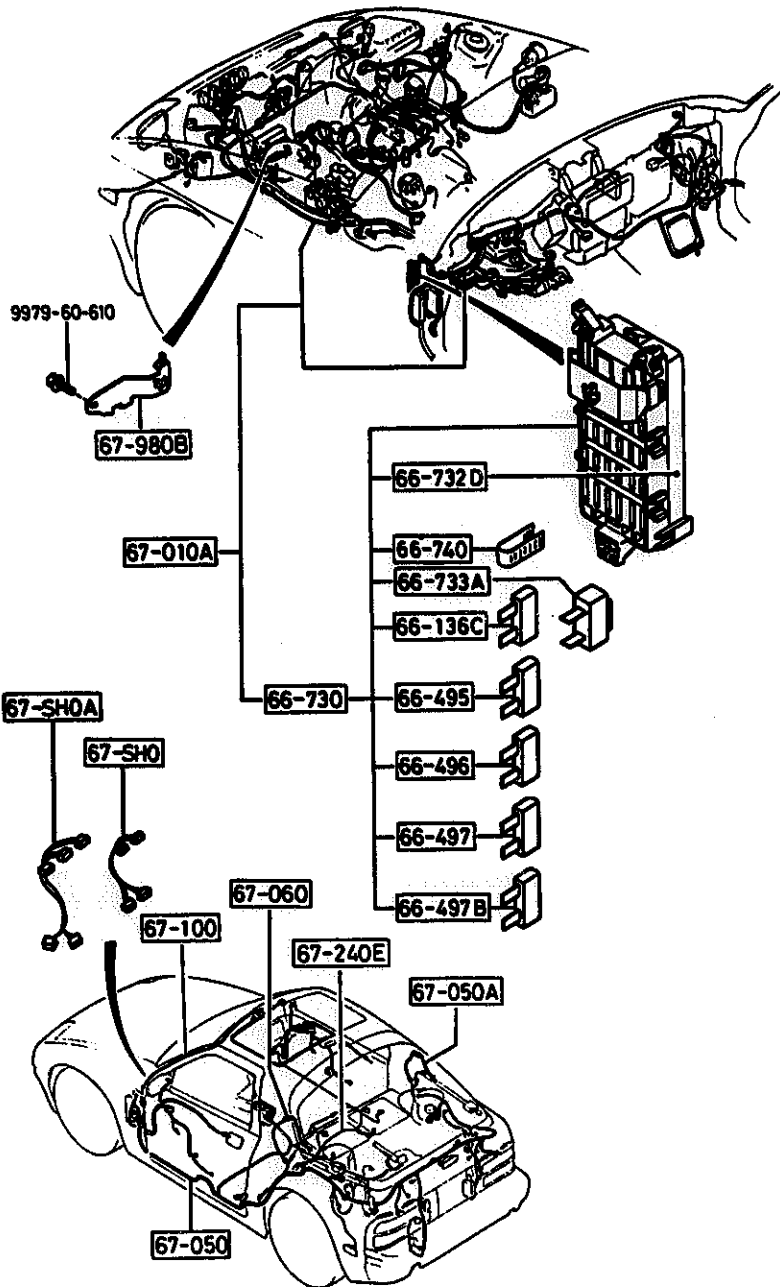
WIRING HARNESSSES (FRONT & REAR)
(COUPE) (W/O ANTI-LOCK BRAKE SYSTEM)



ITEM NO.	D-CODE	DESCRIPTION	PART NO.	QTY	MODEL/DESCRIPTION	REMARKS
66 136C		FUSE (7.5A)	9970-51-107	2		
66 495		FUSE (10A)	9970-51-110	6		
66 496		FUSE (15A)	9970-51-115	7		-6625
				8		6625-
66 497		FUSE (20A)	99705-1120	3		
66 497B		FUSE (30A)	9970-51-130	1		
66 730		BLOCK, FUSE	FB01-66-730A	1		
66 732D		COVER, FUSE BLOCK	FB01-66-731	1		
66 733A		BREAKER	H001-66-733	2		
66 740		HOLDER, FUSE	H001-66-739	1		
67 010A		HARNESS, FRONT	FB02-67-010S	1	W/O P/S	-6601
			FB02-67-010X	1	W/O P/S	6601-7101
			FB12-67-010A	1	W/O P/S A/T	7101-
			FB01-67-010T	1	FOR P/S	-6601
			FB01-67-010Y	1	W/ P/S	6601-7101
			FB08-67-010	1	W/ P/S A/T	7101-
			FB11-67-010A	1	W/ P/S M/T	7101-7301
			FB07-67-010A	1	M/T	7301-
			FB11-67-010B	1	W/ P/S M/T	7301-
			FB44-67-010C	1	TURBO	-6601
			FB44-67-010H	1	TURBO	6601-
67 050		HARNESS, REAR	FB01-67-050P	1	GXL, TURBO FOR RR. WIPER	
			FB02-67-050M	1	STD., SPT., SE W/O RR. WIPER	
67 050A		HARNESS NO. 1, REAR	FB02-67-060B	1		
67 058A		PROTECTOR	FB02-67-058B	2		
67 060		HARNESS NO. 2, REAR	FB01-67-060B	1		
67 100		HARNESS, INTERIOR LAMP	FB01-67-100B	1	W/O SUNROOF	-7501
			FB01-67-100C	1	W/O SUNROOF	7501-
			FB03-67-100B	1	W/ SUNROOF	-7501
			FB03-67-100C	1	W/ SUNROOF	7501-
67 240E		WIRING, STORAGE	FB01-67-240A	1		
67 980B		BRACKET, MAIN FUSE CASE	FB01-67-980E	1		

6601	FC33*	-152302
6625	FC33*	-157816
7101	FC33*	-528625
7301	FC33*	-537230
7501	FC33*	-547831

**6700A-1 WIRING HARNESSES (FRONT & REAR)
(COUPE) (ANTI-LOCK BRAKE SYSTEM)**

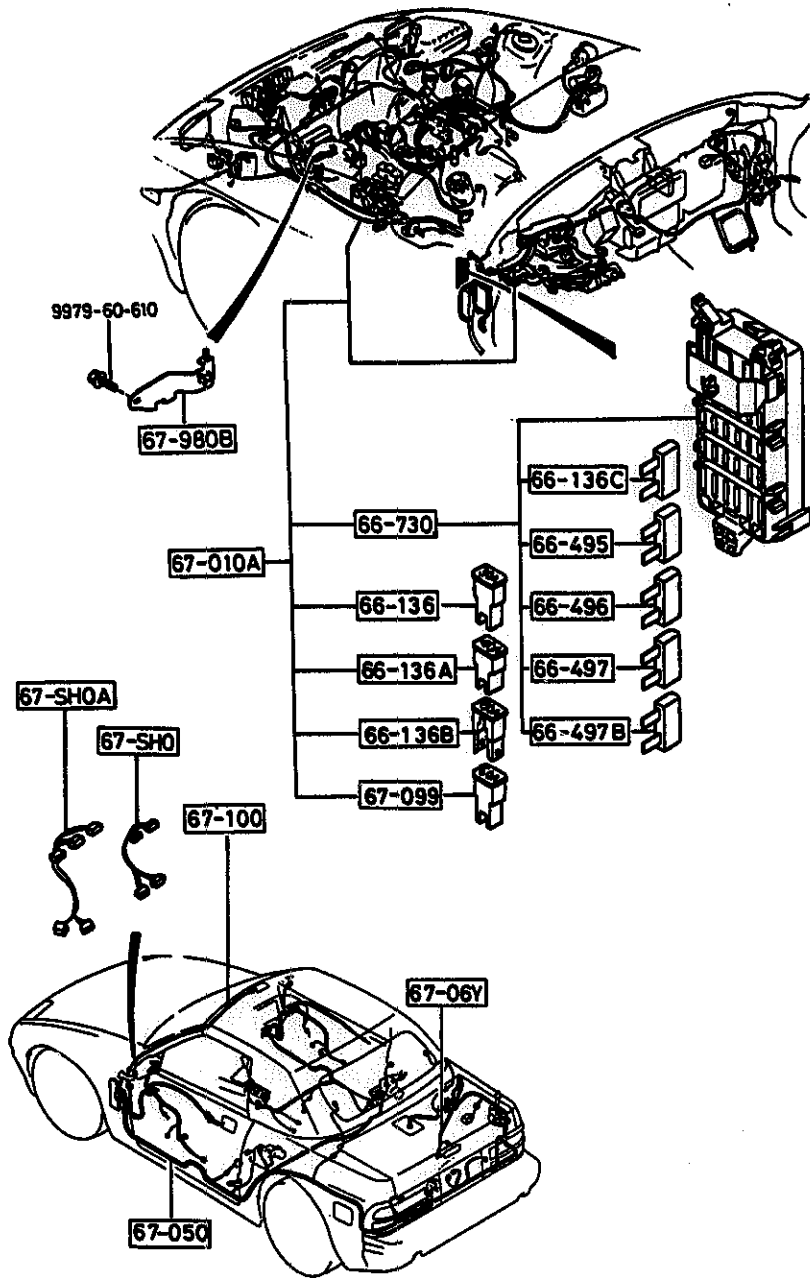


ITEM NO.	D-CODE	DESCRIPTION	PART NO.	QTY	MODEL/DESCRIPTION	REMARKS
66 136C		FUSE (7.5A)	9970-51-107	2		
66 495		FUSE (10A)	9970-51-110	6		
66 496		FUSE (15A)	9970-51-115	8		
66 497		FUSE (20A)	9970-51-120	3		
66 497B		FUSE (30A)	9970-51-130	1		
66 730		BLOCK, FUSE	FB01-66-730A	1		
66 732D		COVER, FUSE BLOCK	FB01-66-731	1		
66 733A		BREAKER	H001-66-733	2		
66 740		HOLDER, FUSE	H001-66-739	1		
67 010A		HARNESS, FRONT	FB55-67-010H	1	W/O TURBO	
			FB60-67-010H	1	TURBO	
67 050		HARNESS, REAR	FB55-67-050C	1		
67 050A		HARNESS NO. 1, REAR	FB02-67-060B	1		
67 060		HARNESS NO. 2, REAR	FB01-67-060B	1		
67 100		HARNESS, INTERIOR LAMP	FB01-67-100B	1	W/O SUNROOF	-7501
			FB01-67-100C	1	W/O SUNROOF	7501-
			FB03-67-100B	1	W/ SUNROOF	-7501
			FB03-67-100C	1	W/ SUNROOF	7501-
67 240E		WIRING, STORAGE	FB01-67-240A	1		
67 980B		BRACKET, MAIN FUSE CASE	FB01-67-980E	1		

7501 FC33* -547831

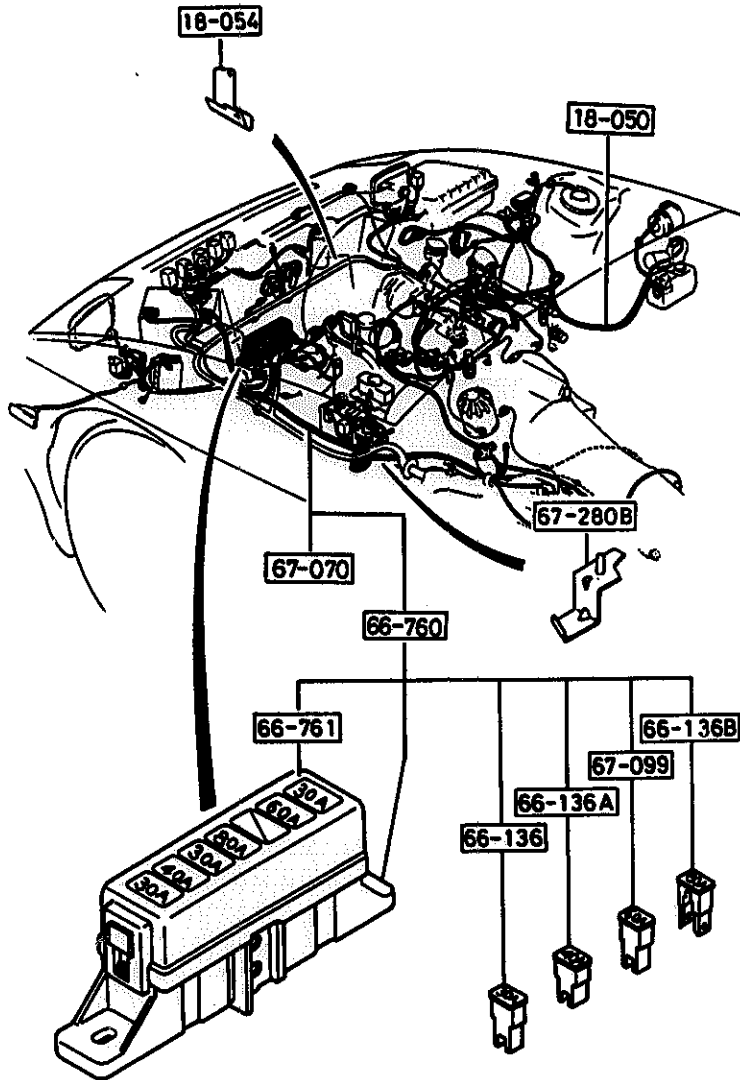
6700B-1

WIRING HARNESSES (FRONT & REAR)
(CONVERTIBLE)



ITEM NO.	D-CODE	DESCRIPTION	PART NO.	QTY	MODEL/DESCRIPTION	REMARKS
66 136		FUSE (30A)	H115-67-099	2		
66 136A		FUSE (40A)	H116-67-099	3		
66 136B		FUSE (80A)	H117-67-099	1		
66 730		BLOCK, FUSE	FB67-66-730	1		
67 010A		HARNESS, FRONT	FB67-67-010G	1		
67 050		HARNESS, REAR	FB67-67-050M	1		
67 06Y		HARNESS NO. 3, REAR	FO55-67-06YB	1		
67 099		LINK, FUSIBLE	FB01-67-099	1	60A	
67 100		HARNESS, INTERIOR LAMP	FB67-67-100B	1		
67 980B		BRACKET, MAIN FUSE CASE	FB01-67-980E	1		

6701-1

**WIRING HARNESSSES (ENGINE & T/MISSION)
(COUPE) (W/O ANTI-LOCK BRAKE SYSTEM)**


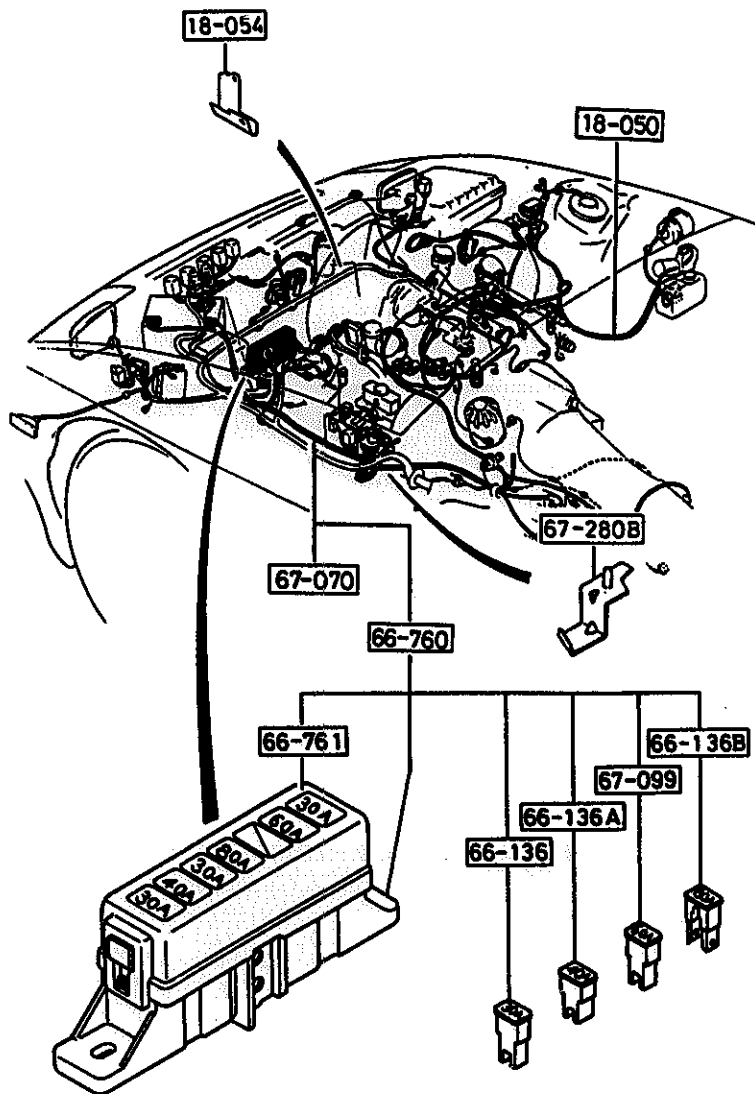
ITEM NO.	D-CODE	DESCRIPTION	PART NO.	QTY	MODEL/DESCRIPTION	REMARKS
18 050		WIRING, ENGINE	N326-18-051L	1	W/O TURBO	-7601
			N326-18-051M	1	W/O TURBO	7601-
			N332-18-051K	1	TURBO	-7601
			N332-18-051L	1	TURBO	7601-
18 054		BRACKET, HOLE-ENGINE WIRING	N318-18-054	1	TURBO	
			N326-18-054	1	W/O TURBO	
66 136		FUSE (30A)	H115-67-099	3		
66 136A		FUSE (40A)	H116-67-099	1		
66 136B		FUSE (80A)	H117-67-099	1		
66 760		BLOCK, MAIN FUSE	FB02-66-760	1		
66 761		COVER, MAIN FUSE BLOCK	FB02-66-762	1		
67 070		HARNESS, ENGINE	FB01-67-070F	1	W/O TURBO M/T	-7101
			FB01-67-070G	1	W/O TURBO M/T	7101-
			FB02-67-070F	1	W/O TURBO A/T	-7101
			FB02-67-070H	1	W/O TURBO A/T	7101-
67 099		LINK, FUSIBLE	FB44-67-070E	1	TURBO	
			FB01-67-099	1	60A	6101-
67 280B		BRACKET, BATTERY CABLE	FB01-67-280A	1		

6101 FC33* -124137

7101 FC33* -528625

7601 FC33* -550168

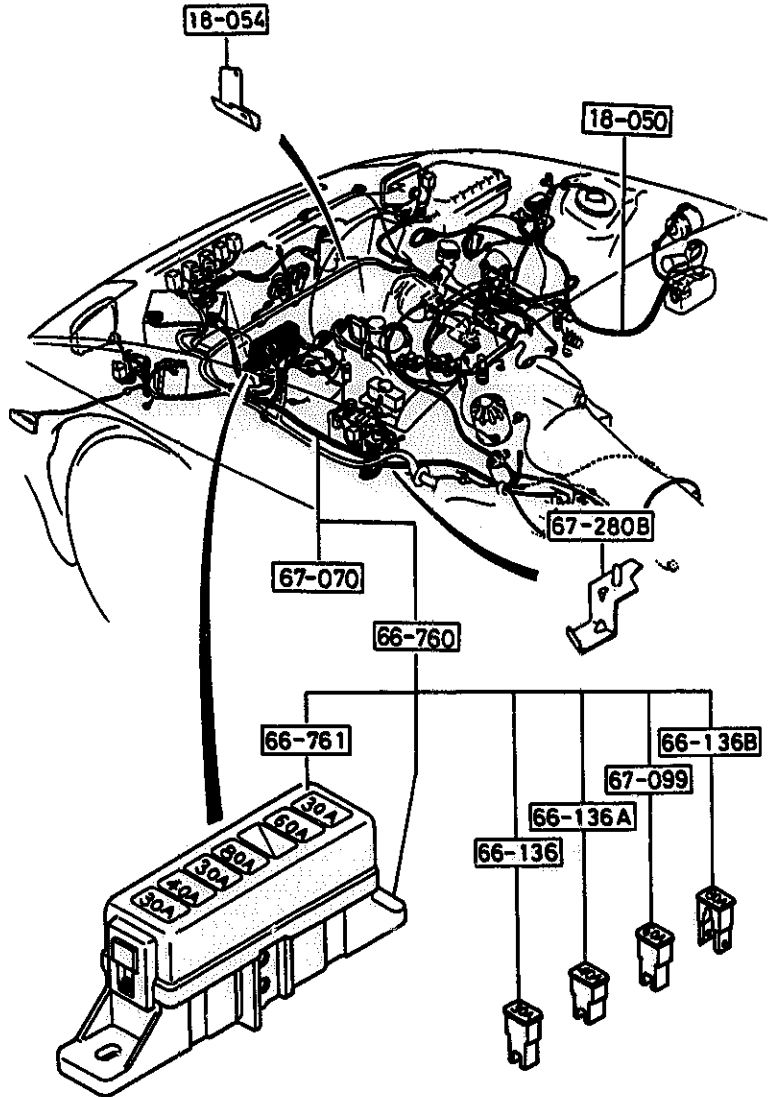
**6701A-1 WIRING HARNESSSES (ENGINE & T/MISSION)
(COUPE) (ANTI-LOCK BRAKE SYSTEM)**



ITEM NO.	D-CODE	DESCRIPTION	PART NO.	QTY	MODEL/DESCRIPTION	REMARKS
18 050		WIRING, ENGINE	N326-18-051L	1	W/O TURBO	-7601
			N326-18-051M	1	W/O TURBO	7601-
			N332-18-051K	1	TURBO	-7601
			N332-18-051L	1	TURBO	7601-
18 054		BRACKET, HOLE-ENGINE WIRING	N318-18-054	1	TURBO	
			N326-18-054	1	W/O TURBO	
66 136		FUSE (30A)	H115-67-099	3		
66 136A		FUSE (40A)	H116-67-099	1		
66 136B		FUSE (80A)	H117-67-099	1		
66 760		BLOCK, MAIN FUSE	F044-66-760	1		
66 761		COVER, MAIN FUSE BLOCK	F044-66-762	1	W/O TURBO	6701-
					TURBO, W/O SUNROOF	
					TURBO, W/ SUNROOF	6708-
					TURBO, W/ SUNROOF	-6708
67 070		HARNESS, ENGINE	FB02-66-762	1	TURBO, W/ SUNROOF	
			FB60-67-070B	1	TURBO	
			FB44-67-070E	1	TURBO	
			FB55-67-070B	1	W/O TURBO, M/T	
67 099		LINK, FUSIBLE	FB56-67-070B	1	W/O TURBO, A/T	
			FB01-67-099	2	60A	6701-
					W/O SUNROOF	
					W/ SUNROOF, TURBO	6708-
					W/ SUNROOF, TURBO	-6708
67 280B		BRACKET, BATTERY CABLE	FB01-67-280C	1		

6701 FC33* -500010
 6708 FC33* -501682
 7601 FC33* -550168

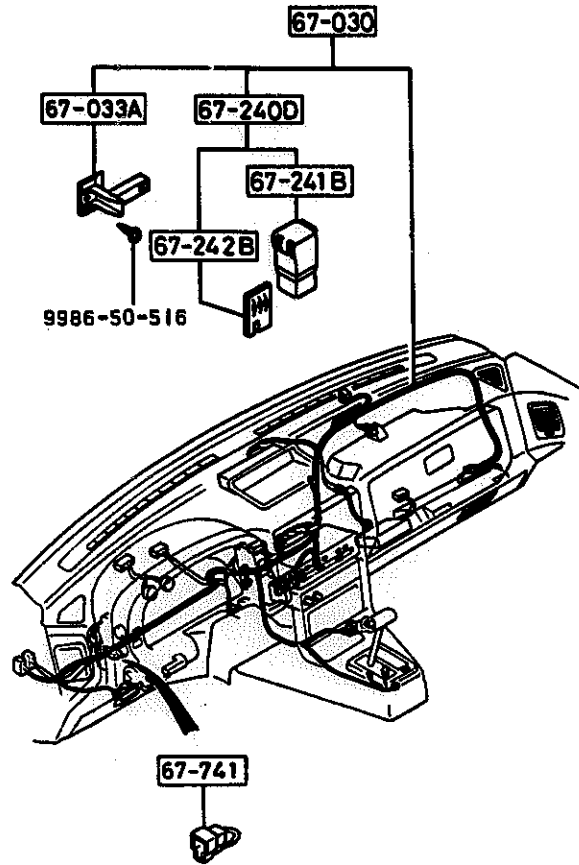
**6701B-1 WIRING HARNESSES (ENGINE & T/MISSION)
(CONVERTIBLE)**



ITEM NO.	D-CODE	DESCRIPTION	PART NO.	QTY	MODEL/DESCRIPTION	REMARKS
18 050		WIRING, ENGINE	N326-18-051M	1		
18 054		BRACKET, HOLE-ENGINE WIRING	N326-18-054	1		
66 136		FUSE (30A)	H115-67-099	3		
66 136A		FUSE (40A)	H116-67-099	1		
66 136B		FUSE (80A)	H117-67-099	1		
66 760		BLOCK, MAIN FUSE	F044-66-760	1		
66 761		COVER, MAIN FUSE BLOCK	FB02-66-762	1		
67 070		HARNESS, ENGINE	FB01-67-070H	1		
67 099		LINK, FUSIBLE	FB01-67-099	1	60A	
67 280B		BRACKET, BATTERY CABLE	FB01-67-280A	1		

6702-1

**WIRING HARNESSSES (DASHBOARD)
(COUPE) (W/O ANTI-LOCK BRAKE SYSTEM)**

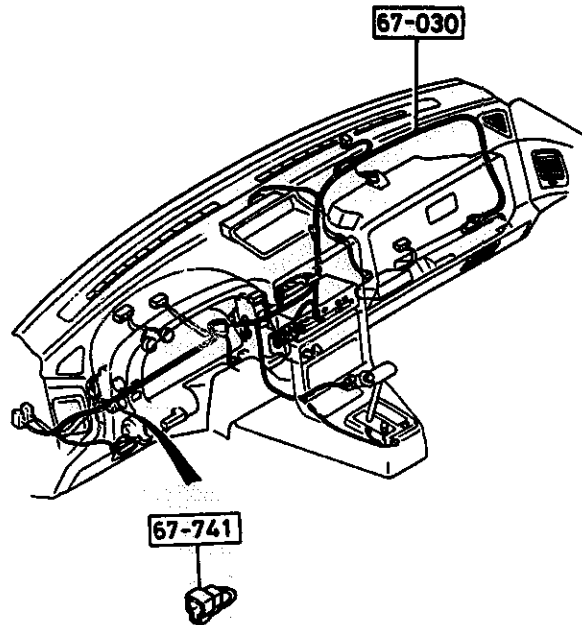


ITEM NO.	D-CODE	DESCRIPTION	PART NO.	QTY	MODEL/DESCRIPTION	REMARKS
67 030		HARNESS, INSTRUMENT	FB01-67-030G	1	W/O C.D.	
			FB08-67-030E	1	W/ C.D.	
67 033A		BRACKET, WIRING	FB01-67-037	1		
67 240D		BOX, DIODE	FO41-67-240	1		
67 241B		COVER, DIODE	FO41-67-241	1		
67 242B		TERMINAL, DIODE	FO41-67-242	1		
67 741		CONNECTOR, SHORT	FB01-67-741	1	A/T	-7401

7401 FC33* -543109

6702A-1

**WIRING HARNESSSES (DASHBOARD)
(COUPE) (ANTI-LOCK BRAKE SYSTEM)**



ITEM NO.	D-CODE	DESCRIPTION	PART NO.	QTY	MODEL/DESCRIPTION	REMARKS
67 030		HARNESS, INSTRUMENT	FB55-67-030B	1	W/O C.D.	
			FB60-67-030D	1	W/ C.D.	
67 741		CONNECTOR, SHORT	FB01-67-741	1	A/T	

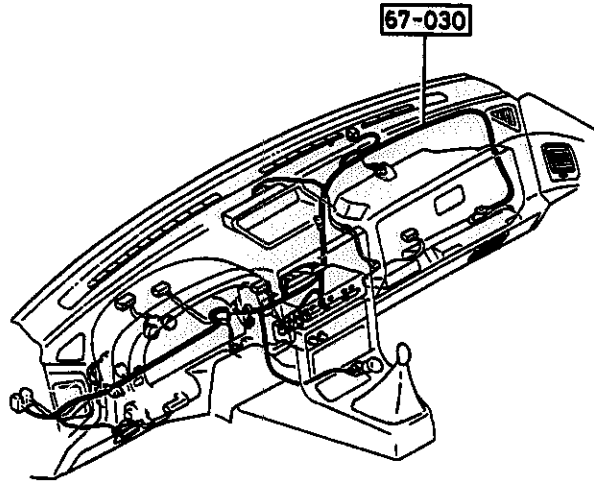
SECTION INDEX -- BODY

STARTING LOCATION	SECT. NO.	SECTION NAME	STARTING LOCATION	SECT. NO.	SECTION NAME	STARTING LOCATION	SECT. NO.	SECTION NAME
3 - C 3	6682	AUDIO SYSTEMS (ANTENNA & SPEAKER)	3 - C 6	6860AA	FLOOR MATS & PADS (COUPE) (TURBO)			
3 - F 3	6684	AUDIO SYSTEMS (NOISE SUPPRESSOR & GROUND CORD)	3 - E 6	6860AB	FLOOR MATS & PADS (CONVERTIBLE)			
3 - G 3	6700	WIRING HARNESSSES (FRONT & REAR) (COUPE) (W/O ANTI-LOCK BRAKE SYSTEM)	3 - G 6	6865A	TRIM CLIPS & FASTENERS (COUPE)			
3 - H 3	6700A	WIRING HARNESSSES (FRONT & REAR) (COUPE) (ANTI-LOCK BRAKE SYSTEM)	3 - H 6	6865AA	TRIM CLIPS & FASTENERS (CONVERTIBLE)			
3 - L 3	6700B	WIRING HARNESSSES (FRONT & REAR) (CONVERTIBLE)	3 - J 6	6870	SERVICE TOOLS			
3 - J 3	6701	WIRING HARNESSSES (ENGINE & T/MISSION) (COUPE) (W/O ANTI-LOCK BRAKE SYSTEM)	3 - C 7	6900A	VISORS, ASSIST HANDLES & MIRRORS			
3 - K 3	6701A	WIRING HARNESSSES (ENGINE & T/MISSION) (COUPE) (ANTI-LOCK BRAKE SYSTEM)	3 - H 7	6930	CAUTION PLATES & LABELS			
3 - L 3	6701B	WIRING HARNESSSES (ENGINE & T/MISSION) (CONVERTIBLE)	3 - J 7	7250	QUARTER WINDOW & TRIMS			
3 - M 3	6702	WIRING HARNESSSES (DASHBOARD) (COUPE) (W/O ANTI-LOCK BRAKE SYSTEM)	3 - K 7	7800	SPOILERS & RELATED PARTS			
3 - N 3	6702A	WIRING HARNESSSES (DASHBOARD) (COUPE) (ANTI-LOCK BRAKE SYSTEM)	3 - L 7	7900	ACCESSORIES-CONSOLE LID			
3 - C 4	6702B	WIRING HARNESSSES (DASHBOARD) (CONVERTIBLE)						
3 - D 4	6703	WIRING HARNESSSES (DOOR, FLOOR/CEILING)						
3 - E 4	6704	WIRING HARNESS CLAMPS						
3 - G 4	6720	WINDSHIELD WASHER						
3 - I 4	6730	WINDSHIELD WIPERS						
3 - J 4	6740	WIPER MOTOR COMPONENTS (FRONT)						
3 - K 4	6750	WINDOW WIPER & WASHER (REAR) (COUPE)						
3 - L 4	6760	WINDOW WIPER MOTOR COMPONENTS (REAR) (COUPE)						
3 - M 4	6800A	CEILING TRIMS (COUPE)						
3 - N 4	6800AB	CEILING TRIMS (CONVERTIBLE)						
3 - C 5	6810	ROLLBAR (CONVERTIBLE)						
3 - D 5	6820A	PILLAR TRIMS (COUPE)						
3 - E 5	6820AA	PILLAR TRIMS (CONVERTIBLE)						
3 - F 5	6840A	TRIMS & SCUFF PLATES (COUPE)						
3 - J 5	6840AB	TRIMS & SCUFF PLATES (CONVERTIBLE)						
3 - K 5	6845	STORAGE BOX (2-SEATER)						
3 - L 5	6860A	FLOOR MATS & PADS (COUPE) (W/O TURBO)						

3 - B 4

6702B-1

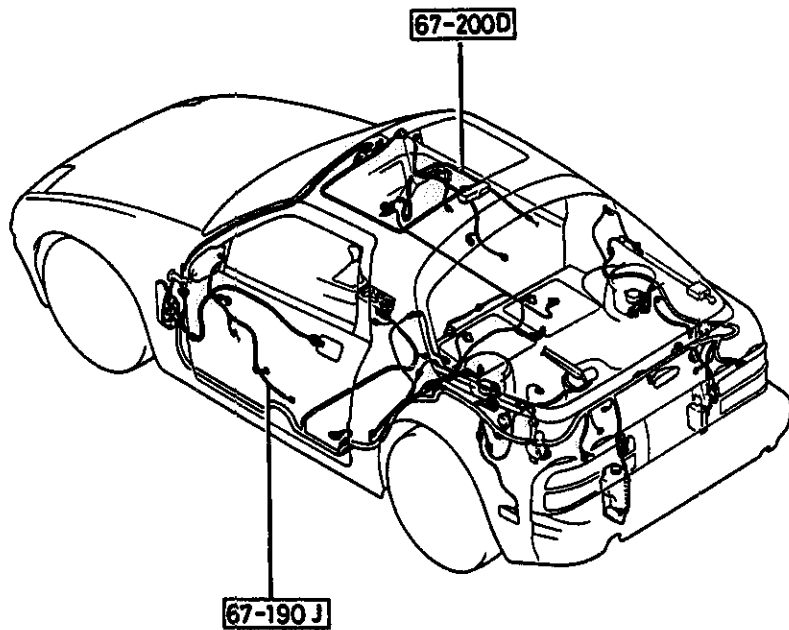
**WIRING HARNESSSES (DASHBOARD)
(CONVERTIBLE)**



ITEM NO.	D-CODE	DESCRIPTION	PART NO.	QTY	MODEL/DESCRIPTION	REMARKS
	67 030	HARNES. INSTRUMENT	FB67-67-030C	1		

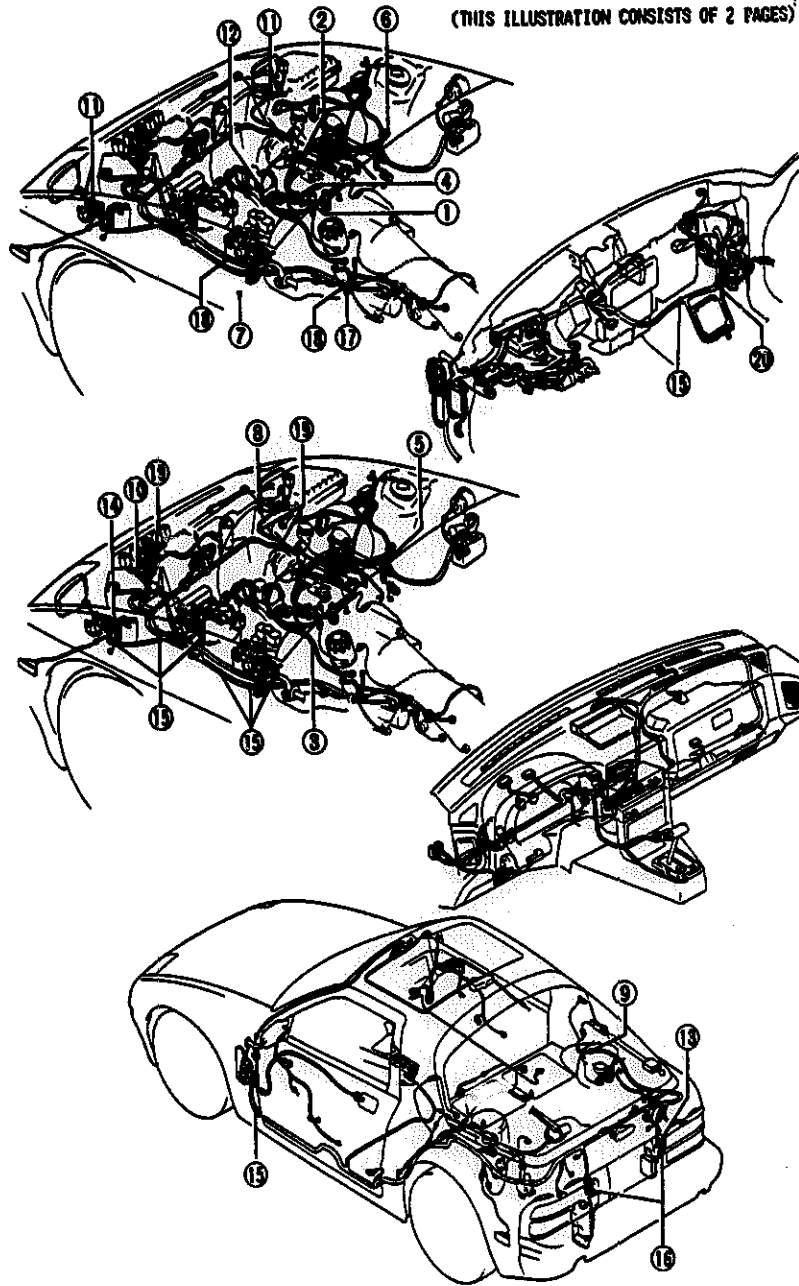
6703-1

WIRING HARNESSSES (DOOR, FLOOR/CEILING)



ITEM NO.	D-CODE	DESCRIPTION	PART NO.	QTY	MODEL/DESCRIPTION	REMARKS
67 190J		WIRING, HARNESS-DRIVER SIDE	FB02-67-190B	1	W/O KEY ILLUM. W/O P/S COUPE	
			FB03-67-190A	1	W/ P/S W/O PWR. WIND. COUPE	
			FB01-67-190F	1	W/ P/S W/ PWR. WIND. COUPE	
			FB67-67-190D	1	CONV.	
			FB02-67-200B	1	W/O KEY ILLUM. W/O P/S COUPE	
			FB03-67-200A	1	W/ P/S W/O PWR. WIND. COUPE	
67 200D		WIRING, HARNESS-PASSENGER SIDE	FB01-67-200F	1	W/ P/S W/ PWR. WIND. COUPE	
			FB67-67-200D	1	CONV.	

(THIS ILLUSTRATION CONSISTS OF 2 PAGES)



(THIS ILLUSTRATION CONSISTS OF 2 PAGES)

① 18-141E 	② 18-226 	③ 18-861 	④ 18-994A 	⑤ 18-995A <small>(N327-18-057C)</small>
⑥ 18-995A <small>(N332-18-057A)</small>	⑦ 45-961B 	⑧ 66-941A 	⑨ 66-941C 	⑩ 67-012A
⑪ 67-014A 	⑫ 67-019 	⑬ 67-031B 	⑭ 67-051E <small>(U842-67-051)</small>	⑮ 67-051E <small>(W029-67-051A)</small>
⑯ 67-052J 	⑰ 67-072A 	⑱ 67-073 	⑲ 67-254 	⑳ 67-051G

6704-2

WIRING HARNESS CLAMPS

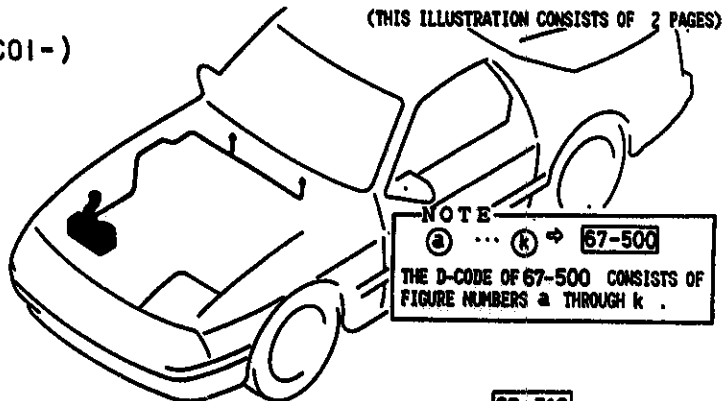
ITEM NO.	D-CODE	DESCRIPTION	PART NO.	QTY	MODEL/DESCRIPTION	REMARKS
18 14E		SUPPORTER, CORD	N319-18-14Y	1	TURBO	
18 226		CLIP	N326-18-0FD	1		
18 861		CLIP	8341-18-861C	1	W/O TURBO	
18 994A		CLIP, ENGINE HARNESS	1820-18-994	1	W/O TURBO	
18 995A		BRACKET, CLIP	N327-18-057D	1		
45 961B		CAP	H002-45-961	1		
66 941A		CLIP	GB08-66-941	1		
66 941C		CLIP	UB42-66-971	1		
67 012A		CLIP	FB01-67-012	1		
67 014A		CLIP	FB01-67-014	4		
67 019		CLIP	FB02-67-019A	1	W/O TURBO	
67 031B		CLIP	UB42-67-031	1		
67 051E		CLIP	UB42-67-051	1		
			WO29-67-051	7		-6601
			WO29-67-051A	7		6601-7701
				8		7701-
67 052J		CLIP	B001-67-051	2		
67 072A		CLIP	FB01-67-072	1		
67 073		CLIP	FB01-67-073A	2		
67 254		CLIP, CABLE	S113-67-254A	3		
67 293		CLIP, CABLE	S083-67-253	1		
6601	FC33*	-152302				
7701	FC33*	-550169				

SEE ILLUSTRATION/S AT FRAME 3 - E 4

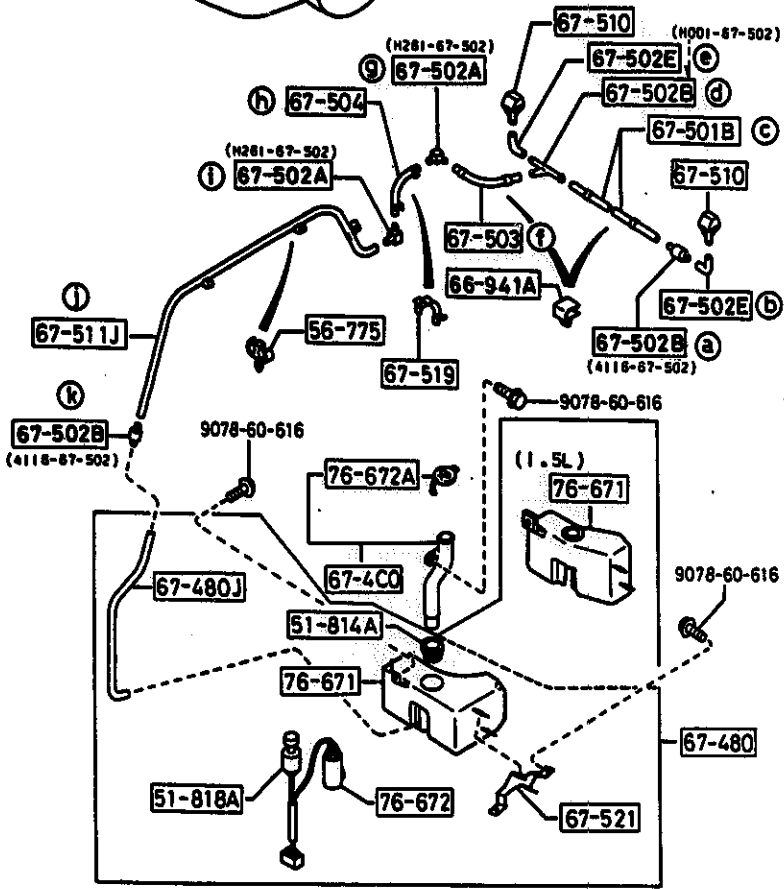
3 - F 4

(7C01-)

(THIS ILLUSTRATION CONSISTS OF 2 PAGES)

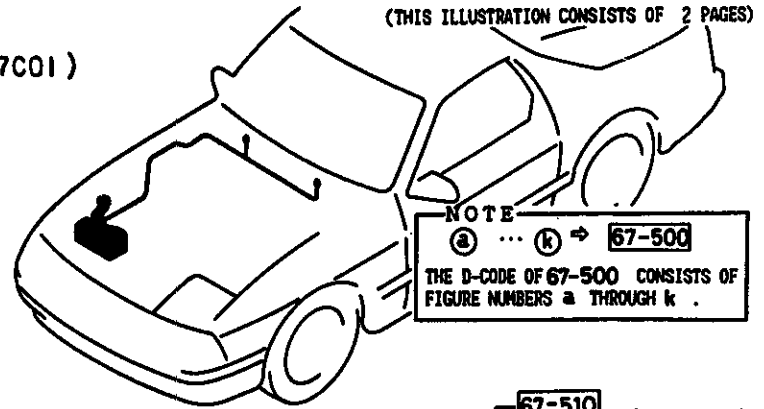


NOTE
 a ... k → 67-500
 THE D-CODE OF 67-500 CONSISTS OF FIGURE NUMBERS a THROUGH k .

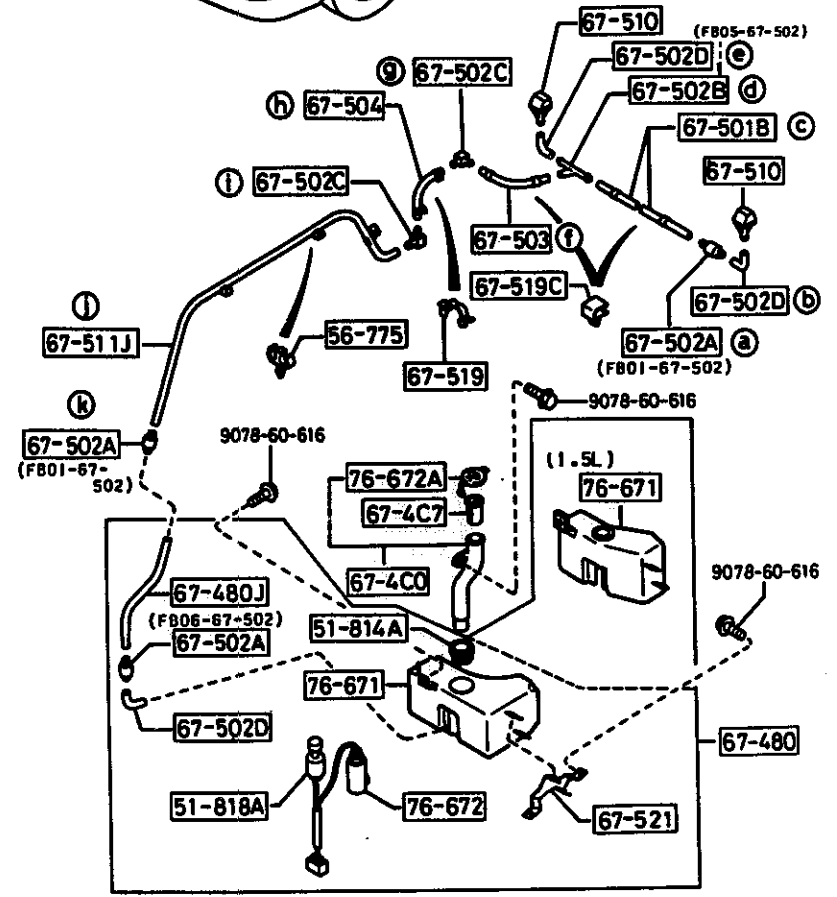


(-7C01)

(THIS ILLUSTRATION CONSISTS OF 2 PAGES)



NOTE
 a ... k → 67-500
 THE D-CODE OF 67-500 CONSISTS OF FIGURE NUMBERS a THROUGH k .



6720-2

WINDSHIELD WASHER

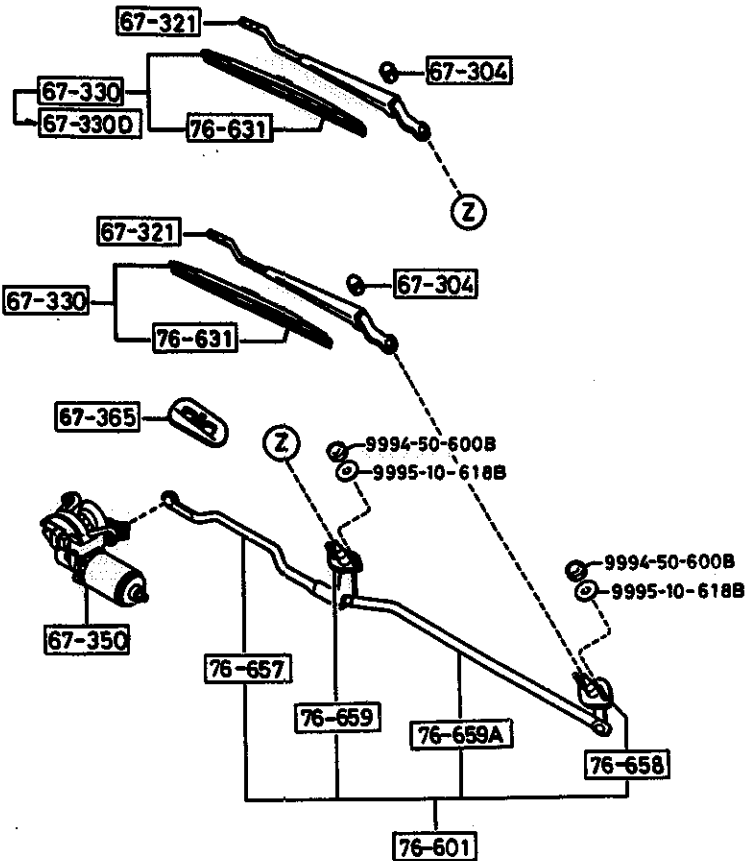
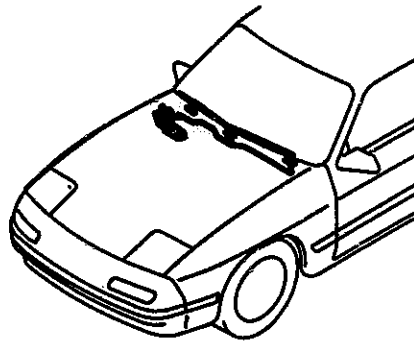
ITEM NO.	D-CODE	DESCRIPTION	PART NO.	QTY	MODEL/DESCRIPTION	REMARKS
51 814A		GROMMET, WASHER TANK	FB01-51-816	1		
51 818A		SWITCH, LEVEL-WASHER TANK	FB01-67-488A	1		
56 775		CLIP, WIRE-BONNET	FB01-56-775B	3		
67 480		TANK, WASHER-FRONT	FB41-67-4T0	1		
67 480J		PIPE, VINYL	FB04-67-503	1		
67 4C0		PIPE, FILLER-WASHER TANK	FB01-67-4C0B	1		
67 4C7		FILTER, WASHER TANK-FRONT	FB01-67-4C7	1		
67 500		PIPE	FB01-67-500B	1		
67 501B		HOSE 'A', WASHER	FB01-67-501B	1		
67 502A		JOINT, HOSE	FB01-67-502	2		
			FB06-67-502	1		
67 502B		JOINT, HOSE	FB05-67-502	1		
67 502C		JOINT, ELBOW	FB03-67-502	2		
67 502D		JOINT 'L'	FB04-67-502	3		
67 503		HOSE 'B', WASHER	FB01-67-503A	1		
67 504		HOSE 'C', WASHER	FB01-67-504A	1		
67 510		NOZZLE, WASHER-WINDSHIELD	FB01-67-510	2		
67 511J		PIPE, SCREEN WASHER	FB02-67-503	1		
67 519		CLIP, PIPE	FB01-67-519A	3		
67 519C		CLIP	FB02-67-519	6		
67 521		BRACKET, WASHER TANK	FB04-67-4B5	1		
76 671		TANK	FB01-67-4B1	1		
76 672		PUMP, WASHER	FB01-67-4B2A	1		
76 672A		CAP, TANK	FB01-67-4B3	1		

SEE ILLUSTRATION/S AT FRAME 3 - G 4

3 - H 4

6730-1

WINDSHIELD WIPERS

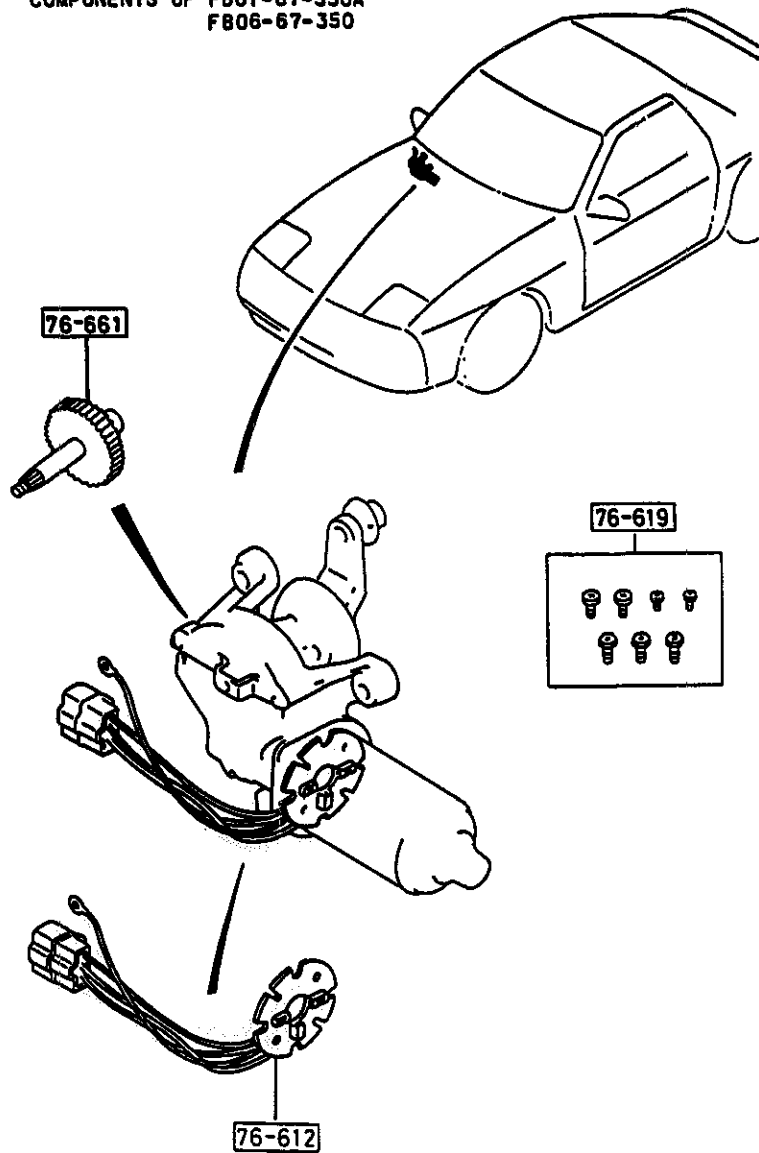


ITEM NO.	D-CODE	DESCRIPTION	PART NO.	QTY	MODEL/DESCRIPTION	REMARKS
67 304		NUT, WIPER ARM-FRONT	FB01-67-304	2		-8401
67 321		ARM, WIPER	FB01-67-321B	1	DRIVER SIDE	
			FB02-67-321A	1	PASSENGER SIDE	
67 330		BLADE, WIPER-FRONT	HE76-67-330A	2		
67 350		MOTOR, WIPER	FB01-67-350A	1		-7701
			FB06-67-350	1		7701-8401
			FB05-67-350A	1		8401-
67 365		COVER, SEAL-COWL PANEL	FB01-67-365	1		-7801
76 601		LINK, WIPER	FB01-67-360C	1		-8401
76 631		RUBBER, BLADE-FRONT	H260-67-331	2		-8401
			HE76-67-331A	2		8401-
76 657		ARM NO. 1, LINK	FB01-67-361	1		
76 658		SHAFT, DRIVE NO. 2	FB01-67-364	1		
76 659		SHAFT, DRIVE NO. 1	FB01-67-363	1		
76 659A		ARM NO. 2, LINK	FB01-67-362	1		

7701 FC33* -550169
 7801 FC33* -605316
 FC351 -100021
 8401 FC33* -624152
 FC351 -104470

6740-1 WIPER MOTOR COMPONENTS (FRONT)

COMPONENTS OF FB01-67-350A
FB06-67-350

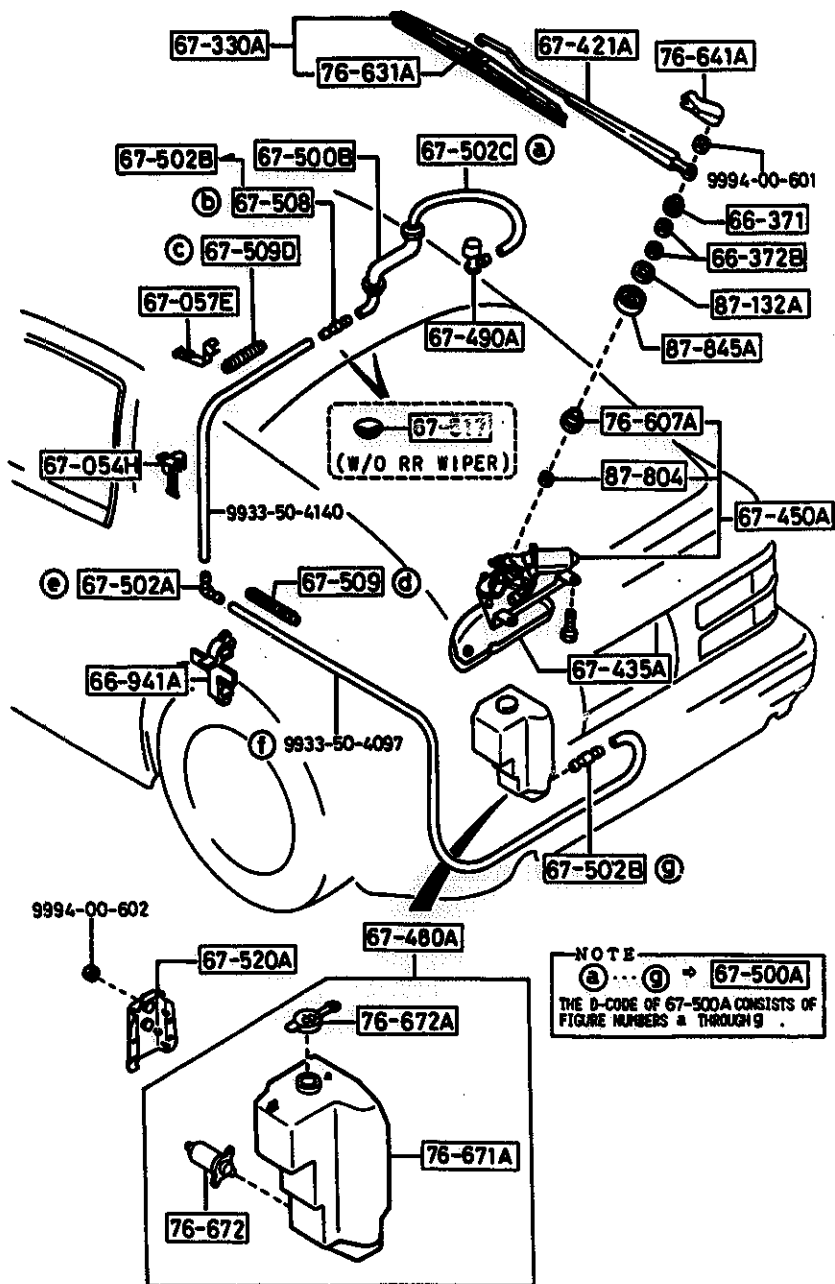


ITEM NO.	D-CODE	DESCRIPTION	PART NO.	QTY	MODEL/DESCRIPTION	REMARKS
76 612		PLATE, HOLDER-BRUSH	FB01-67-351	1		-7701
76 619		PARTS SET	FB05-67-351	1		7701-
76 661		GEAR, SHAFT	H043-76-619A	1		
			GJ83-67-354	1		7701-

7701 FC33* -550169

6750-1

WINDOW WIPER & WASHER (REAR)
(COUPE)



NOTE
 a ... 9 → 67-500A
 THE D-CODE OF 67-500A CONSISTS OF
 FIGURE NUMBERS a THROUGH 9 .

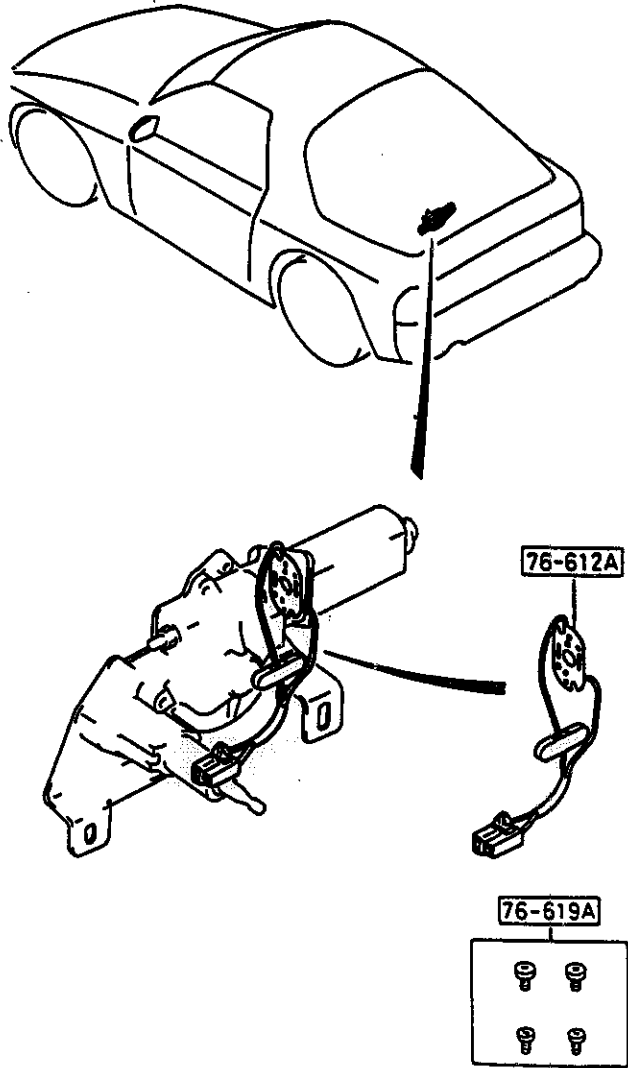
ITEM NO.	D-CODE	DESCRIPTION	PART NO.	QTY	MODEL/DESCRIPTION	REMARKS
66 371		CAP, SEAL	FB02-67-366	1		-7701
			FB02-67-366A	1		7701-
66 372B		NUT	D001-76-605	2		
66 941A		CLIP	GB08-66-941	1		
67 054H		CLIP, OPENER CABLE	FB02-67-056	3		
67 057E		CLIP 'B', PIPE-REAR WASHER	FB02-67-057	2		
67 330A		BLADE, WIPER-REAR	FB02-67-330	1		
67 421A		ARM, WIPER	FB02-67-421	1		
67 435A		COVER, WIPER MOTOR	FB02-67-458B	1		
67 450A		MOTOR	FB02-67-450A	1		
67 480A		TANK, WASHER-REAR	FB02-67-480A	1		
67 490A		NOZZLE, WASHER	FB02-67-510	1		
67 500A		PIPE, REAR WASHER-LOWER	FB02-67-500	1		
67 500B		PIPE, REAR WASHER-UPPER	FB04-67-500B	1		
67 502A		JOINT, HOSE	S013-67-502	1		
67 502B		JOINT, HOSE	4116-67-502	1		
67 502C		JOINT, ELBOW	SA70-67-502	1		
67 508		VALVE, CHECK	FA54-67-508	1		
67 509		TUBE, CORRUGATE	G044-67-509	1		
67 509D		TUBE, CORRUGATE	G033-67-509	1		
67 517		COVER, HOLE	FB01-67-517	2		
67 520A		BRACKET	FB02-67-520A	1		
76 607A		BUSHING, INNER	FB02-67-402A	2		
76 631A		RUBBER, BLADE-REAR	FB02-67-331	1		
76 641A		COVER, WIPER ARM-REAR	B093-76-641	1		
76 671A		TANK, WASHER-RR. WIPER	FB02-67-481	1		
76 672		PUMP, WASHER	8532-76-672	1		
76 672A		CAP, TANK	G030-76-673A	1		
87 132A		WASHER	FB02-67-406	1		
87 804		WASHER	FB03-67-406	1		
87 845A		GASKET	FB02-67-408A	1		

7701 FC33* -550169

6760-1

**WINDOW WIPER MOTOR COMPONENTS (REAR)
(COUPE)**

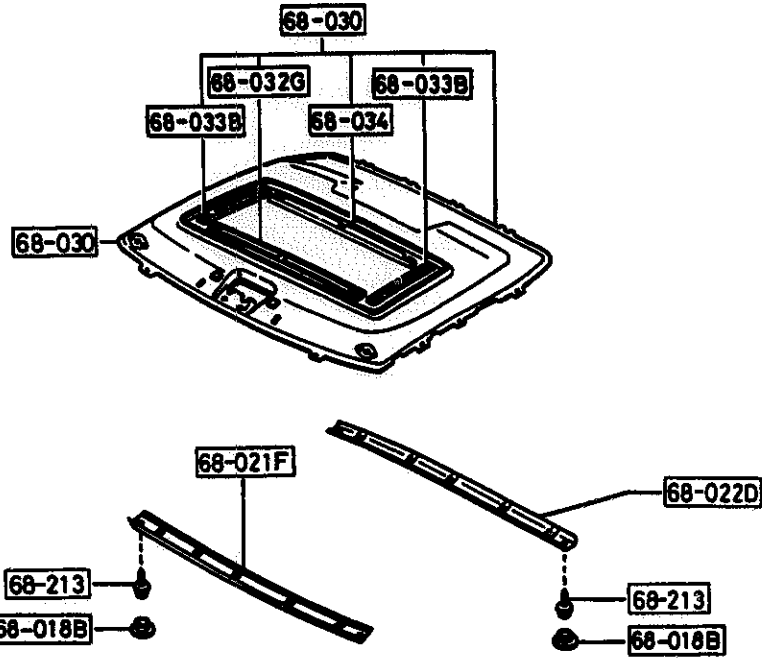
COMPONENTS OF FB02-67-450A



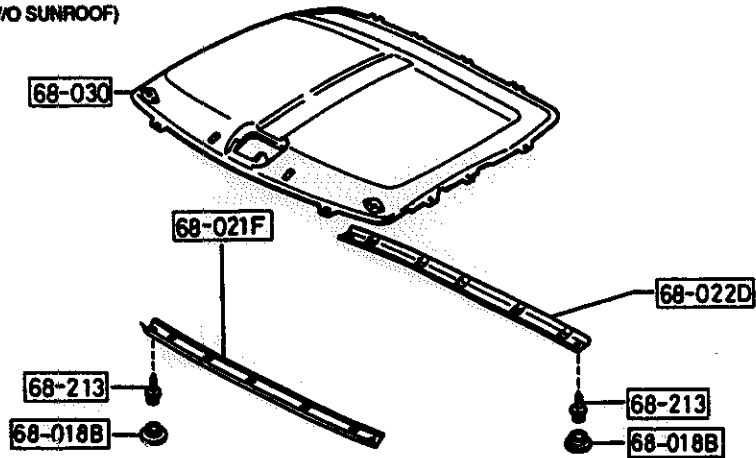
ITEM NO.	D-CODE	DESCRIPTION	PART NO.	QTY	MODEL/DESCRIPTION	REMARKS
	76 612A	PLATE, HOLDER-BRUSH	FB02-67-451	1		
	76 619A	PARTS SET	B002-76-619A	1		

**6800A-1 CEILING TRIMS
(COUPE)**

(W/SUNROOF)



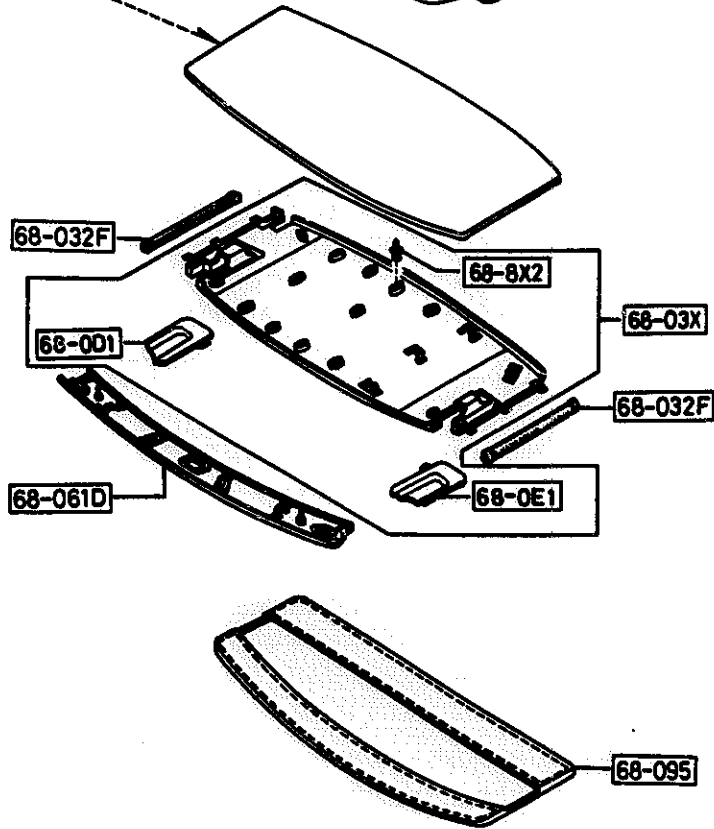
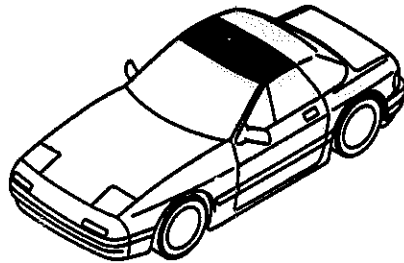
(W/O SUNROOF)



ITEM NO.	D-CODE	DESCRIPTION	PART NO.	QTY	MODEL/DESCRIPTION	REMARKS
68 018B		CAP	FB01-68-151	4		
		BLACK	02			
		DARK GRAY	07			
		RED	10			
68 021F		GARNISH, TOP-FRONT	FB01-68-020	1		
		BLACK	02			
		DARK GRAY	07			
		RED	10			
68 022D		GARNISH, TOP-REAR	FB01-68-040	1		
		BLACK	02			
		DARK GRAY	07			
		RED	10			
68 030		CEILING, TOP	FB02-68-030	1	W/O SUNROOF	
		GRAY	07			
		RED	10			
		BLUE	48			
68 032G		CHANNEL, T/CEILING-FRONT	FB03-68-032	1	FOR SUNROOF	
		GRAY	07			
		RED	10			
		BLUE	48			
68 033B		CHANNEL, T/CEILING-SIDE	FB03-68-033	2	FOR SUNROOF	
68 034		CHANNEL, T/CEILING-REAR	FB03-68-034	1	FOR SUNROOF	
68 213		SCREW, TAPPING	G030-68-213B	4		

**6800AB-1 CEILING TRIMS
(CONVERTIBLE)**

PANEL/FABRIC, ROOF
(REFER TO SECT.NO.6330)



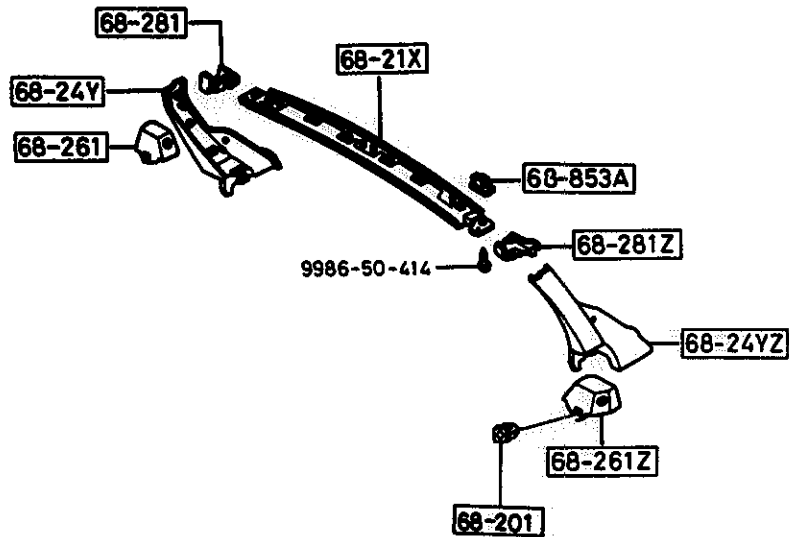
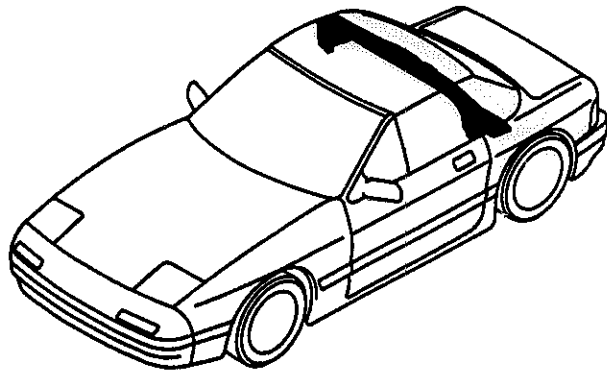
ITEM NO.	D-CODE	DESCRIPTION	PART NO.	QTY	MODEL/DESCRIPTION	REMARKS
68 032F		WELT, SEAMING-ROOF	FB67-68-032	2		
		GRAY	07			
		BLUE	48			
68 03X		TRIM, TOP	FB67-68-03XB	1		
		GRAY	07			
		BLUE	48			
68 061D		TRIM, FRONT HEADER	FB67-68-020	1		
		GRAY	07			
		BLUE	48			
68 095		BAG, ROOF PANEL	FB67-68-095A	1		

SECTION INDEX -- BODY

STARTING LOCATION	SECT. NO.	SECTION NAME	STARTING LOCATION	SECT. NO.	SECTION NAME	STARTING LOCATION	SECT. NO.	SECTION NAME
3 - C 3	6682	AUDIO SYSTEMS (ANTENNA & SPEAKER)	3 - C 6	6860AA	FLOOR MATS & PADS (COUPE) (TURBO)			
3 - F 3	6684	AUDIO SYSTEMS (NOISE SUPPRESSOR & GROUND CORD)	3 - E 6	6860AB	FLOOR MATS & PADS (CONVERTIBLE)			
3 - G 3	6700	WIRING HARNESES (FRONT & REAR) (COUPE) (W/O ANTI-LOCK BRAKE SYSTEM)	3 - G 6	6865A	TRIM CLIPS & FASTENERS (COUPE)			
3 - H 3	6700A	WIRING HARNESES (FRONT & REAR) (COUPE) (ANTI-LOCK BRAKE SYSTEM)	3 - H 6	6865AA	TRIM CLIPS & FASTENERS (CONVERTIBLE)			
3 - I 3	6700B	WIRING HARNESES (FRONT & REAR) (CONVERTIBLE)	3 - I 6	6870	SERVICE TOOLS			
3 - J 3	6701	WIRING HARNESES (ENGINE & T/MISSION) (COUPE) (W/O ANTI-LOCK BRAKE SYSTEM)	3 - C 7	6900A	VISORS, ASSIST HANDLES & MIRRORS			
3 - K 3	6701A	WIRING HARNESES (ENGINE & T/MISSION) (COUPE) (ANTI-LOCK BRAKE SYSTEM)	3 - H 7	6930	CAUTION PLATES & LABELS			
3 - L 3	6701B	WIRING HARNESES (ENGINE & T/MISSION) (CONVERTIBLE)	3 - I 7	7250	QUARTER WINDOW & TRIMS			
3 - M 3	6702	WIRING HARNESES (DASHBOARD) (COUPE) (W/O ANTI-LOCK BRAKE SYSTEM)	3 - K 7	7800	SPOILERS & RELATED PARTS			
3 - N 3	6702A	WIRING HARNESES (DASHBOARD) (COUPE) (ANTI-LOCK BRAKE SYSTEM)	3 - L 7	7900	ACCESSORIES-CONSOLE LID			
3 - C 4	6702B	WIRING HARNESES (DASHBOARD) (CONVERTIBLE)						
3 - D 4	6703	WIRING HARNESES (DOOR, FLOOR/CEILING)						
3 - E 4	6704	WIRING HARNESS CLAMPS						
3 - G 4	6720	WINDSHIELD WASHER						
3 - I 4	6730	WINDSHIELD WIPERS						
3 - J 4	6740	WIPER MOTOR COMPONENTS (FRONT)						
3 - K 4	6750	WINDOW WIPER & WASHER (REAR) (COUPE)						
3 - L 4	6760	WINDOW WIPER MOTOR COMPONENTS (REAR) (COUPE)						
3 - M 4	6800A	CEILING TRIMS (COUPE)						
3 - N 4	6800AB	CEILING TRIMS (CONVERTIBLE)						
3 - C 5	6810	ROLLBAR (CONVERTIBLE)						
3 - D 5	6820A	PILLAR TRIMS (COUPE)						
3 - E 5	6820AA	PILLAR TRIMS (CONVERTIBLE)						
3 - F 5	6840A	TRIMS & SCUFF PLATES (COUPE)						
3 - J 5	6840AB	TRIMS & SCUFF PLATES (CONVERTIBLE)						
3 - K 5	6845	STORAGE BOX (2-SEATER)						
3 - L 5	6860A	FLOOR MATS & PADS (COUPE) (W/O TURBO)						

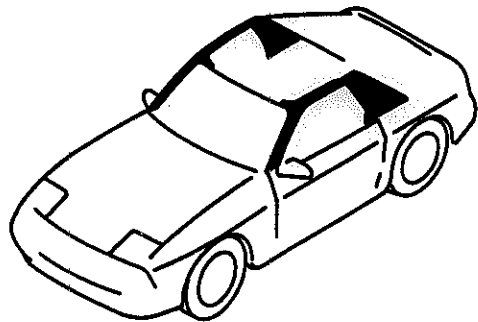
6810-1

**ROLLBAR
(CONVERTIBLE)**

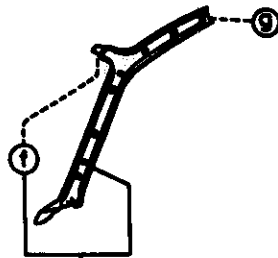
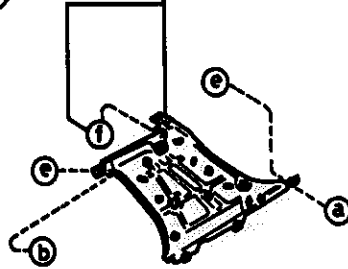


ITEM NO.	D-CODE	DESCRIPTION	PART NO.	QTY	MODEL/DESCRIPTION	REMARKS
68 201		GROMMET, SCREW-QTR. TRIM	FB67-68-201	2		
68 21X		TRIM, FORMING BAR	FB67-68-21XB	1		
		GRAY	07			
		BLUE	48			
68 24Y		COVER (R), LINK	FB67-68-24YA	1		
		GRAY	07			
		BLUE	48			
68 24YZ		COVER (L), LINK	FB67-68-25YA	1		
		GRAY	07			
		BLUE	48			
68 261		COVER (R), BELT	FB67-68-261B	1		
		GRAY	07			
		BLUE	48			
68 261Z		COVER (L), BELT	FB67-68-271B	1		
		GRAY	07			
		BLUE	48			
68 281		COVER (R), HINGE	FB67-68-28XA	1		
		GRAY	07			
		BLUE	48			
68 281Z		COVER (L), HINGE	FB67-68-29XA	1		
		GRAY	07			
		BLUE	48			
68 853A		GROMMET, SCREW-T/SIDE TRIM	FB02-68-853	2		

6820A-1 PILLAR TRIMS (COUPE)



68-210 (R)
68-210Z (L)



68-171 (R)
68-171Z (L)

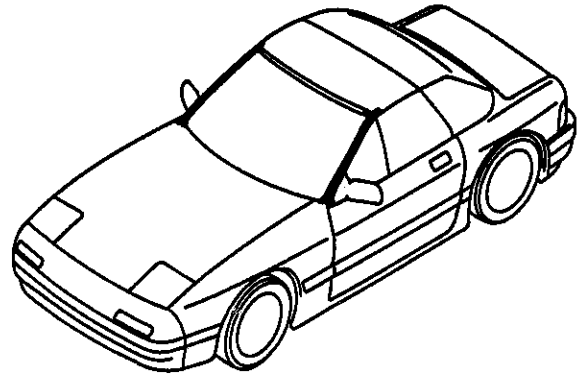
		g		f	
		 68-153A 68-018B		 68-154A 68-155	
a	b			e	
 68-402B	 68-719			9986-50-420 	

ITEM NO.	D-CODE	DESCRIPTION	PART NO.	QTY	MODEL/DESCRIPTION	REMARKS
68 018B		CAP DARK GRAY RED BLUE	FB01-68-151 07 10 48	2		
68 153A		SCREW, TAPPING	UB39-68-153	2		
68 154A		ADJUSTER	FB02-68-154	4		-7401
68 155		GROMMET, SCREW	FB01-68-155	4		
68 171		TRIM (R), FRONT PILLAR DARK GRAY RED BLUE	FB01-68-170A 07 10 48	1		
68 171Z		TRIM (L), FRONT PILLAR DARK GRAY RED BLUE	FB01-68-190A 07 10 48	1		
68 210		TRIM (R), 'B' PILLAR DARK GRAY RED BLUE	FB01-68-110A 07 10 48	1		
68 210Z		TRIM (L), 'B' PILLAR DARK GRAY RED BLUE	FB01-68-120A 07 10 48	1		
68 402B		GROMMET, SCREW	FA54-68-719B	2		
68 719		GROMMET, SCREW	H001-68-719A	2		

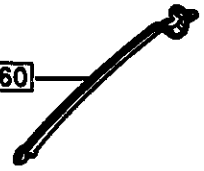
7401 FC33* -543109

6820AA-1

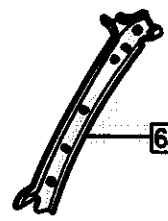
**PILLAR TRIMS
(CONVERTIBLE)**



68-160

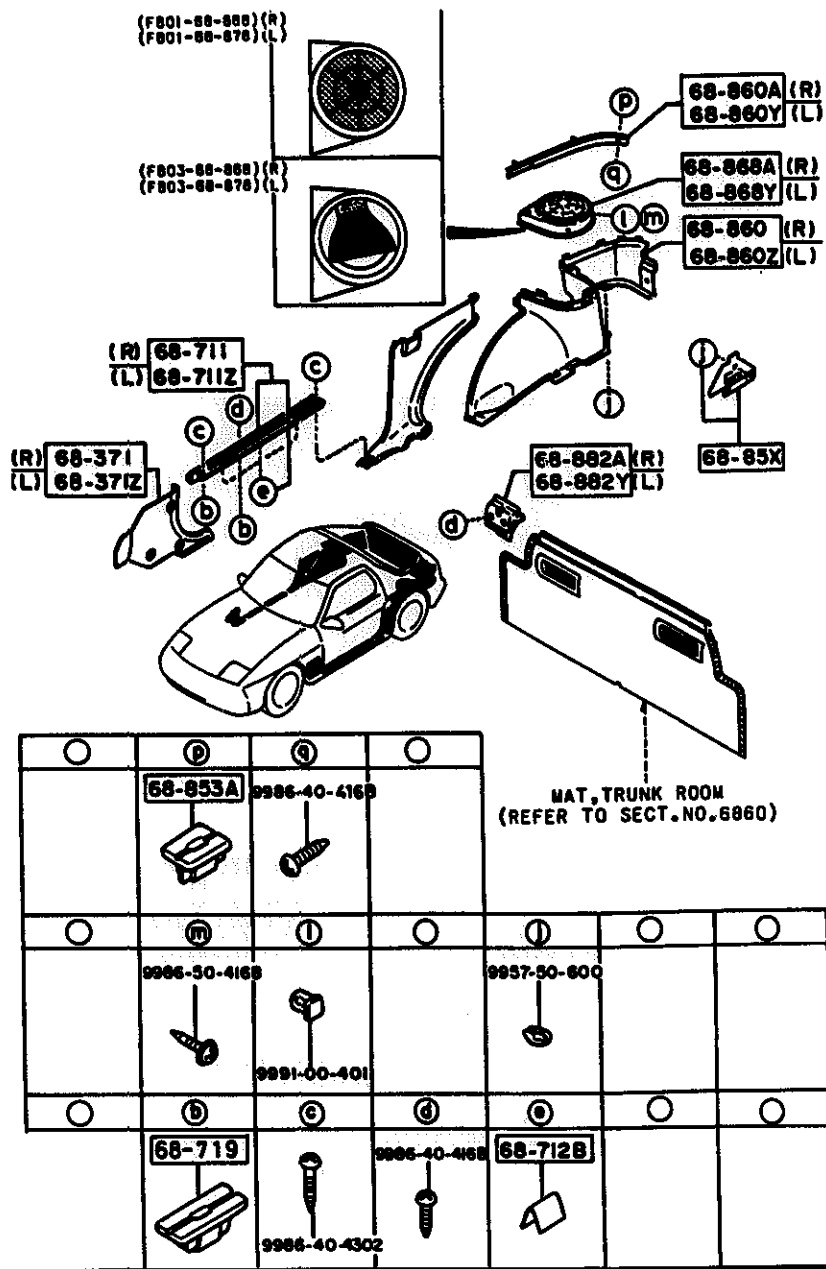


68-160Z



ITEM NO.	D-CODE	DESCRIPTION	PART NO.	QTY	MODEL/DESCRIPTION	REMARKS
68 160		TRIM (R), 'A' PILLAR	FB67-68-160	1		
		DARK GRAY	07			
		BLUE	48			
68 160Z		TRIM (L), 'A' PILLAR	FB67-68-170	1		
		DARK GRAY	07			
		BLUE	48			

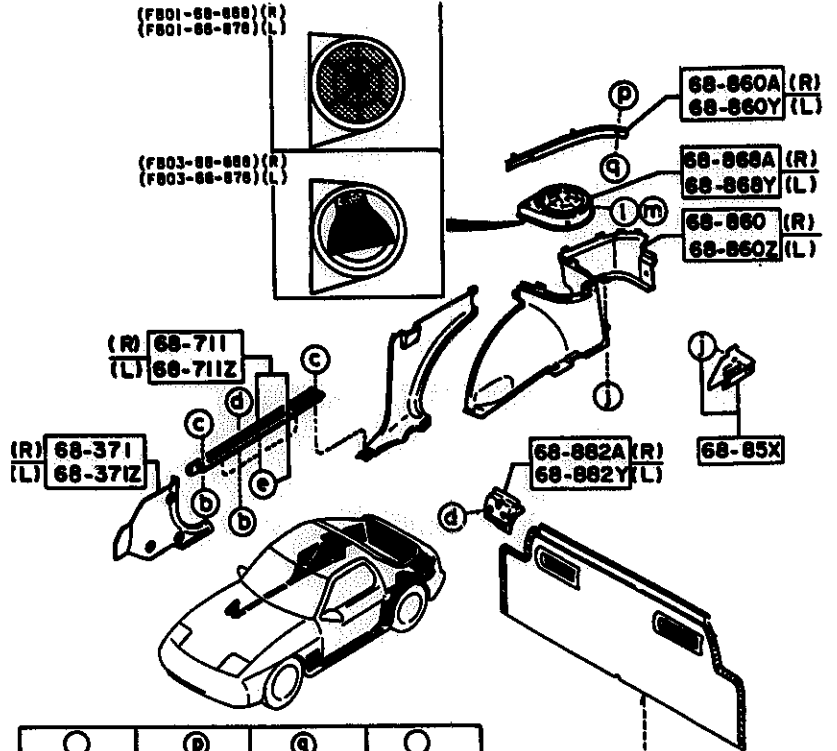
6840A-1 TRIMS & SCUFF PLATES (COUPE)



ITEM NO.	D-CODE	DESCRIPTION	PART NO.	QTY	MODEL/DESCRIPTION	REMARKS
68 371		TRIM (R), FRONT SIDE	FB01-68-370	1		
		BLACK	02			
		DARK GRAY	07			
		RED	10			
		BLUE	48			
68 371Z		TRIM (L), FRONT SIDE	FB01-68-390	1		
		BLACK	02			
		DARK GRAY	07			
		RED	10			
		BLUE	48			
68 711		PLATE (R), FRONT SCUFF	FB01-68-710A	1		
		BLACK	02			
		DARK GRAY	07			
		RED	10			
		BLUE	48			
68 711Z		PLATE (L), FRONT SCUFF	FB01-68-720A	1		
		BLACK	02			
		DARK GRAY	07			
		RED	10			
		BLUE	48			
68 712B		CLIP	B003-68-712	12		
68 719		GROMMET, SCREW	H001-68-719A	12		
		< AN >	H001-68-719B	12		
68 853A		GROMMET, SCREW-T/SIDE TRIM	FB01-68-853	2		-7601
			FB02-68-853	2		7601-
68 85X		LID, SIDE-TRUNK ROOM	FB01-68-85X	1		
68 860		TRIM (R), TRUNK SIDE	FB01-68-86YB	1	BASE, SPORT, GTU W/O SILENCER PAD & CD 2-SEATER	
		DARK GRAY	07			
		RED	10			
		BLUE	48			
			FB02-68-86YB	1	GXL, TURBO W/ SILENCER PAD, W/O CD 2-SEATER	
		DARK GRAY	07			
		RED	10			
		BLUE	48			
			FB05-68-86YA	1	GXL, TURBO W/ SILENCER PAD & CD 2-SEATER	
		DARK GRAY	07			

7601 FC33* -550168

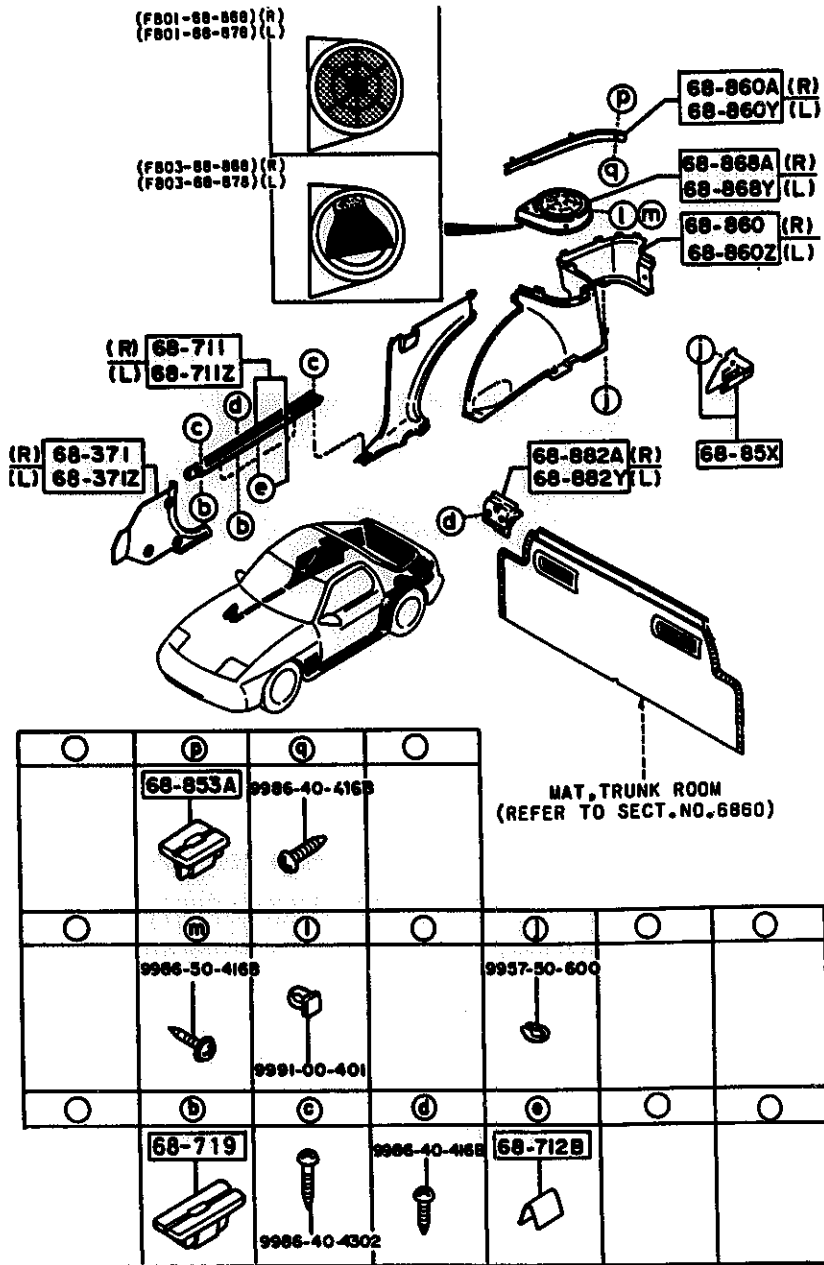
6840A-2 TRIMS & SCUFF PLATES (COUPE)



	68-853A 	9986-40-4168 				
	9986-50-4168 	9991-00-401 	9957-50-600 			
	68-719 	9986-40-4302 	9986-40-4168 	68-712B 		

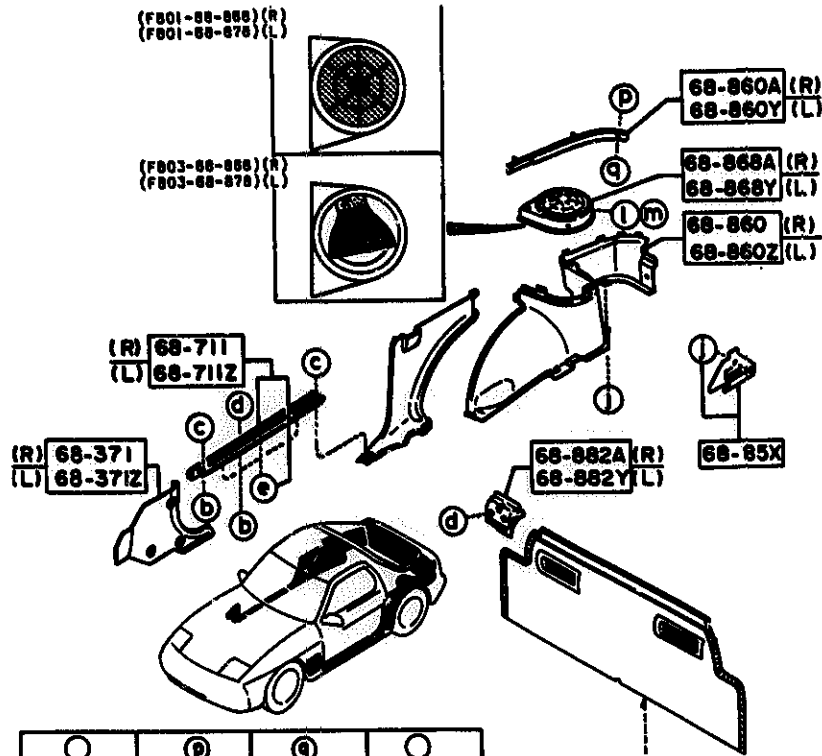
ITEM NO.	D-CODE	DESCRIPTION	PART NO.	QTY	MODEL/DESCRIPTION	REMARKS
68 860 (CONT'D)		RED	10			
		BLUE	48			
			FB09-68-86YB	1		BASE, SE, SPORT, GTU W/O SILENCER PAD & CD 22
		DARK GRAY	07			
		RED	10			
		BLUE	48			
			FB10-68-86YB	1		GXL, TURBO W/ SILENCER PAD, W/O CD 22
		DARK GRAY	07			
		RED	10			
		BLUE	48			
			FB39-68-86YA	1		GXL, TURBO W/ SILENCER PAD & CD 22
	68 860A		TRIM (R), TRUNK SIDE-UPPER	FB01-68-860	1	
		BLACK	02			
		DARK GRAY	07			
		RED	10			
		BLUE	48			
68 860Y		TRIM (R), TRUNK SIDE-UPPER	FB01-68-870	1		
		BLACK	02			
		DARK GRAY	07			
		RED	10			
		BLUE	48			
68 860Z		TRIM (L), TRUNK SIDE	FB01-68-87YB	1		BASE, SE, SPORT W/O SILENCER PAD 2-SEATER
		BLACK	02			
		DARK GRAY	07			
		RED	10			
		BLUE	48			
			FB02-68-87YB	1		GXL, TURBO W/ SILENCER PAD 2-SEATER
		BLACK	02			
		DARK GRAY	07			

6840A-3 TRIMS & SCUFF PLATES (COUPE)



ITEM NO.	D-CODE	DESCRIPTION	PART NO.	QTY	MODEL/DESCRIPTION	REMARKS
68 860Z (CONT'D)		RED	10			
		BLUE	48			
		DARK GRAY	07			
		RED	10			
		BLUE	48			
					FB09-68-87YB	1 BASE, SE, SPORT, GTU W/O SILENCER PAD 22
					FB10-68-87YB	1 GXL, TURBO W/ SILENCER PAD 22
		DARK GRAY	07			
		RED	10			
		BLUE	48			
68 868A		GRILLE (R), SPEAKER-T/TRIM			FB01-68-868	1
		BLACK	02			
		DARK GRAY	07			
		RED	10			
		BLUE	48			
					FB03-68-868	1 FIN TYPE
		BLACK	02			
		DARK GRAY	07			
		RED	10			
		BLUE	48			
68 868Y		GRILLE (R), SPEAKER-T/TRIM			FB01-68-878	1
		BLACK	02			
		DARK GRAY	07			
		RED	10			
		BLUE	48			
					FB03-68-878	1 METALLIC SILVER
		BLACK	02			
		DARK GRAY	07			
		RED	10			
		BLUE	48			
68 882A		COVER (R), T/END TRIM			FB01-68-894B	1
		BLACK	02			
		DARK GRAY	07			
		RED	10			
		BLUE	48			
68 882Y		COVER (L), T/END TRIM			FB01-68-895B	1
		BLACK	02			
		DARK GRAY	07			

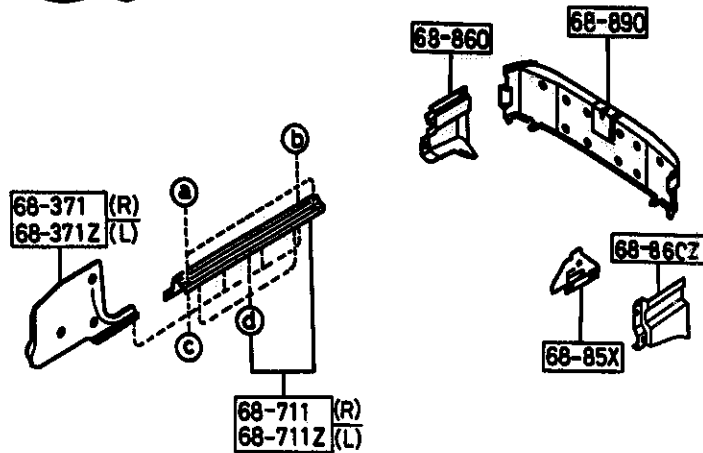
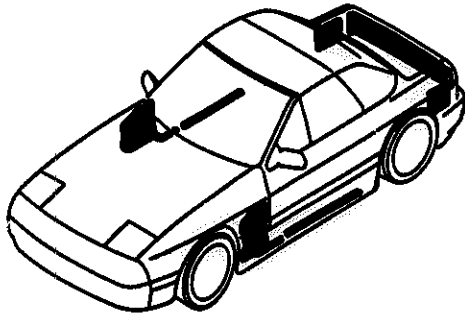
6840A-4 TRIMS & SCUFF PLATES (COUPE)



MAT, TRUNK ROOM
(REFER TO SECT. NO. 6860)

ITEM NO.	D-CODE	DESCRIPTION	PART NO.	QTY	MODEL/DESCRIPTION	REMARKS
	68 882Y (CONT'D)	RED	10			
		BLUE	48			

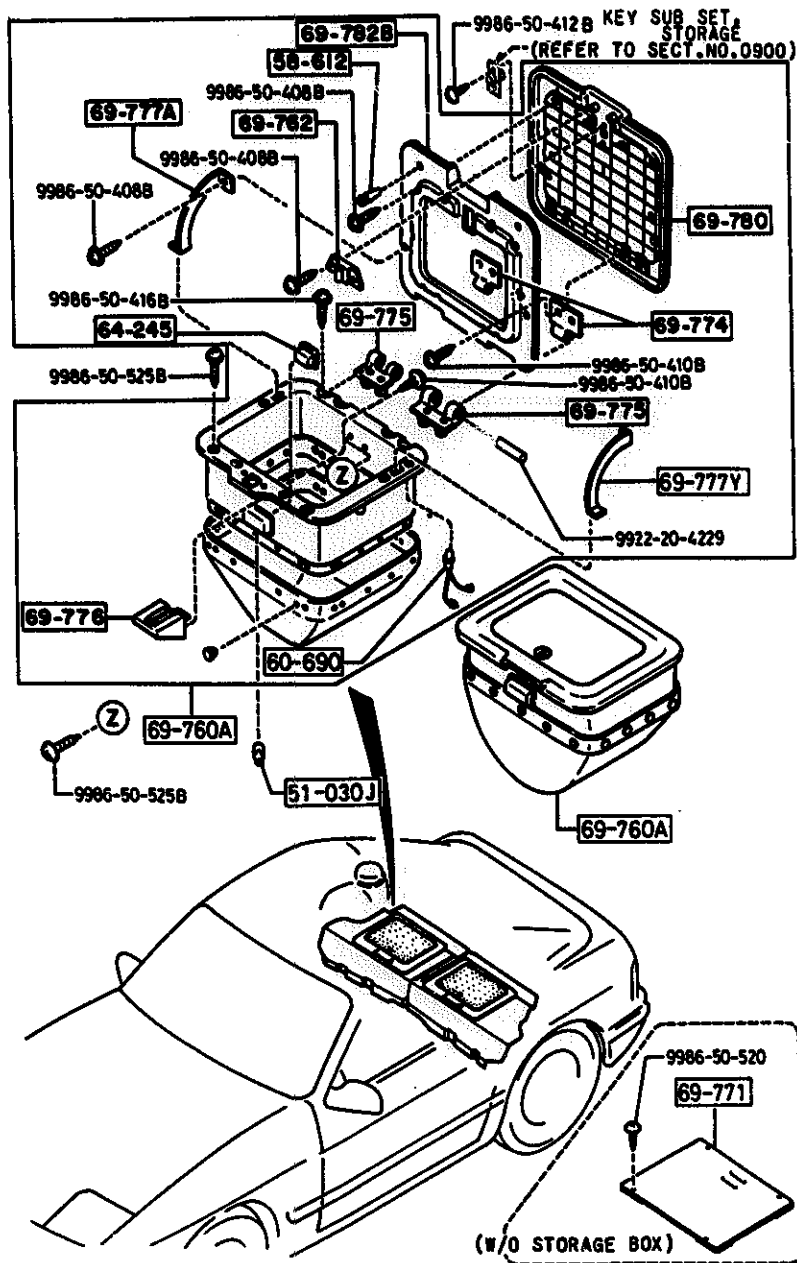
6840AB-1 TRIMS & SCUFF PLATES (CONVERTIBLE)



a	b	c	d		
9996-40-430B	9976-90-416B	68-719	68-712B		

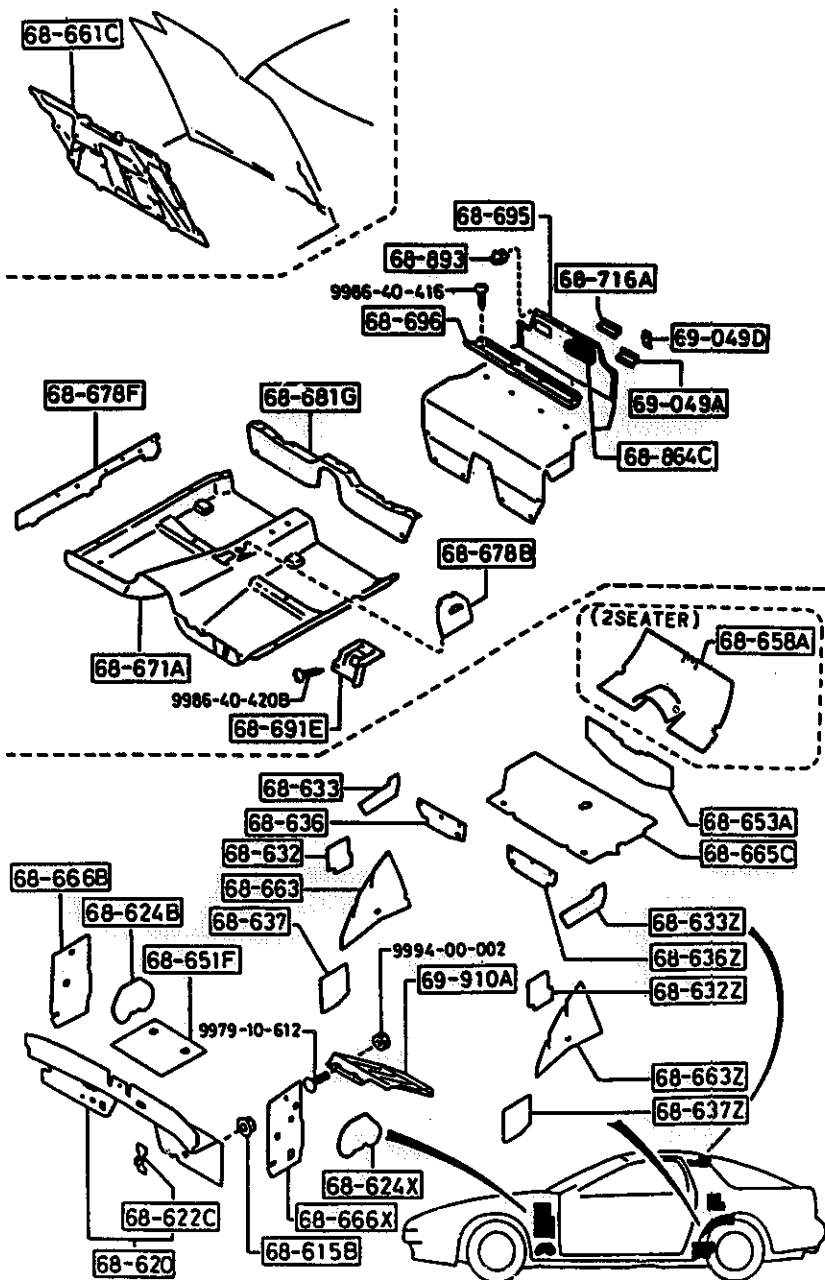
ITEM NO.	D-CODE	DESCRIPTION	PART NO.	QTY	MODEL/DESCRIPTION	REMARKS
68 371		TRIM (R), FRONT SIDE DARK GRAY BLUE	FB67-68-370 07 48	1		
68 371Z		TRIM (L), FRONT SIDE DARK GRAY BLUE	FB67-68-390 07 48	1		
68 711		PLATE (R), FRONT SCUFF GRAY BLUE	FB67-68-710 07 48	1		
68 711Z		PLATE (L), FRONT SCUFF GRAY BLUE	FB67-68-720 07 48	1		
68 712B		CLIP	B235-68-712	6		
68 719		GROMMET, SCREW	B235-68-719	10		
68 85X		LID, SIDE-TRUNK ROOM	FB01-68-85X	1		
68 860		TRIM (R), TRUNK SIDE DARK GRAY	FB67-68-861 07	1		
68 860Z		TRIM (L), TRUNK SIDE DARK GRAY	FB67-68-871 07	1		
68 890		TRIM, TRUNK END DARK GRAY	FB67-68-891B 07	1		

6845-1 STORAGE BOX (2-SEATER)



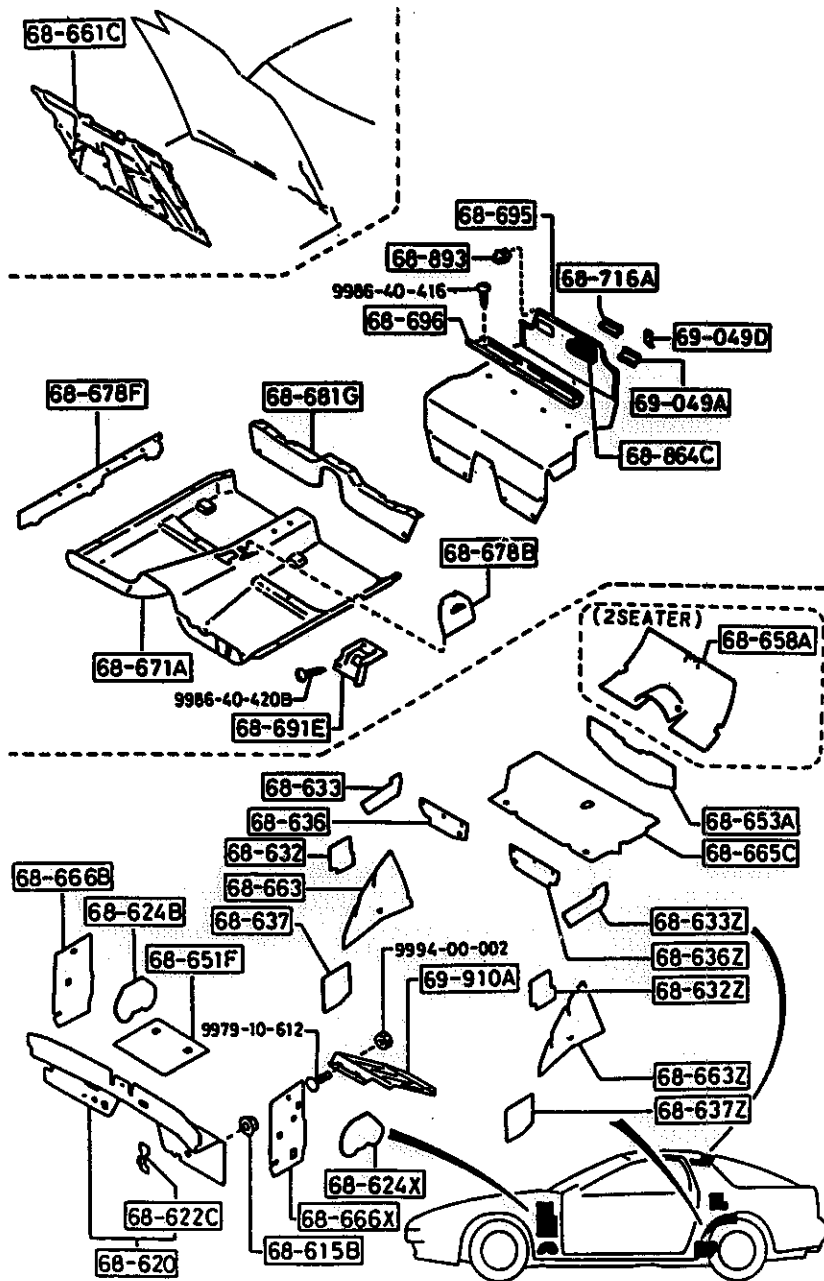
ITEM NO.	D-CODE	DESCRIPTION	PART NO.	QTY	MODEL/DESCRIPTION	REMARKS
51 030J		BULB	0000-11-0194	2	12V 3.4W	
58 612		CUSHION, RUBBER	0259-58-612	4		
60 690		SWITCH, GLOVE TRAY	G030-66-540B	2		
64 245		LENS, SIDE WALL	H002-64-245	2		
69 760A		BOX, STORAGE	FB01-69-760	2		
		DARK GRAY	07			
		RED	10			
		BLUE	48			
69 762		PLATE, LOCK	FB01-69-762	2		
		DARK GRAY	07			
		RED	10			
		BLUE	48			
69 771		COVER, HOLE-STORAGE BOX	FB02-69-771	2	W/O STORAGE BOX	
69 774		HINGE NO. 1, STORAGE BOX	FB01-69-774	4		
		DARK GRAY	07			
		RED	10			
		BLUE	48			
69 775		HINGE NO. 2, STORAGE BOX	FB01-69-775	4		
		DARK GRAY	07			
		RED	10			
		BLUE	48			
69 776		STRIKER, STORAGE BOX	FB01-69-776	2		
69 777A		STOPPER (R), STORAGE BOX	FB01-69-777	2		
69 777Y		STOPPER (L), STORAGE BOX	FB01-69-778	2		
69 780		LID, OUTER-STORAGE BOX	FB01-69-780	2		
		DARK GRAY	07			
		RED	10			
		BLUE	48			
69 782B		LID, INNER-STORAGE BOX	FB01-69-782	2		
		DARK GRAY	07			
		RED	10			
		BLUE	48			

**6860A-1 FLOOR MATS & PADS
(COUPE) (W/O TURBO)**



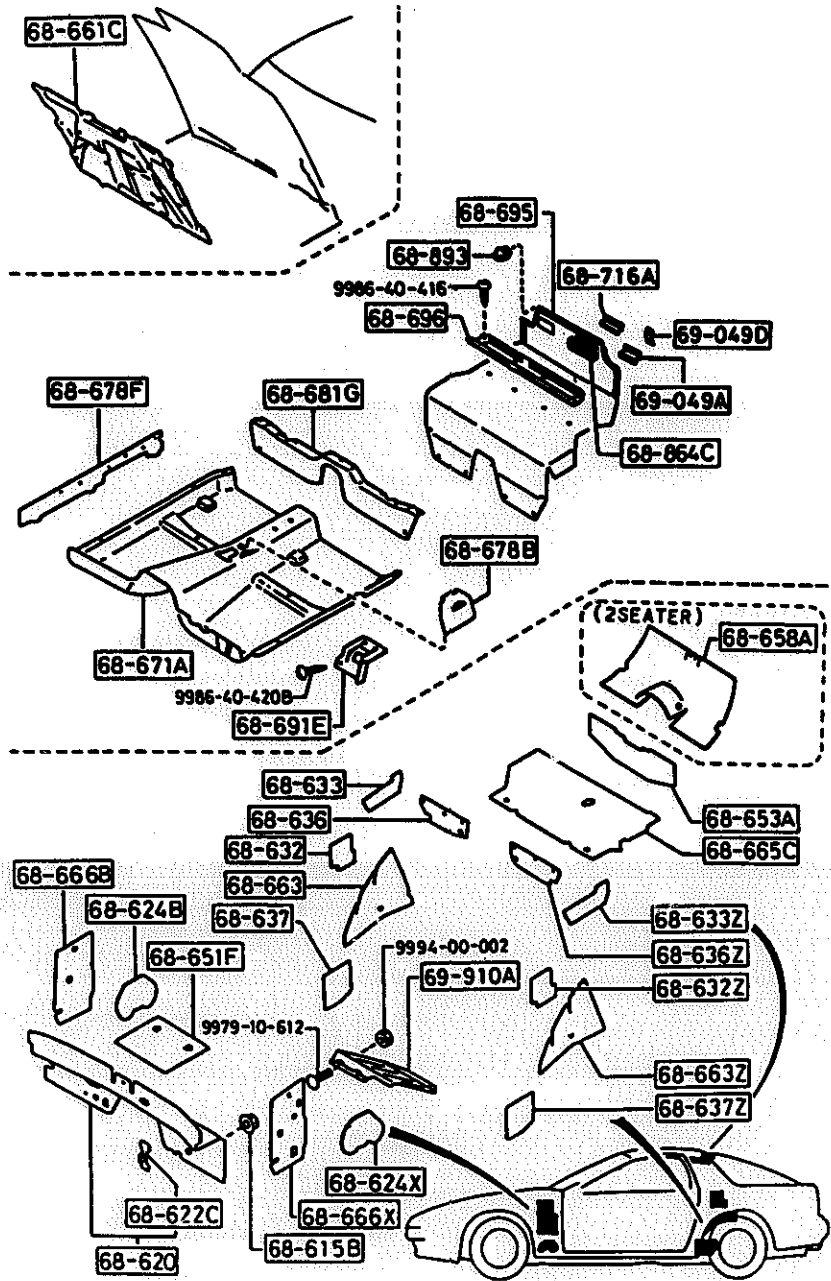
ITEM NO.	D-CODE	DESCRIPTION	PART NO.	QTY	MODEL/DESCRIPTION	REMARKS
68 615B		NUT, FLANGE-CAP	B100-68-615	13		
68 620		INSULATOR, DASHBOARD	FB02-68-620A	1	W/O SILENCER PAD	
			FB04-68-620A	1	W/ SILENCER PAD	
68 622C		CLIP, DASHBOARD INSULATOR	FB01-68-622	4		
68 624B		COVER (R), HOLE-DASHBOARD INSULATOR	FB01-68-624	1		
68 624X		COVER (L), HOLE-DASHBOARD INSULATOR	FB01-68-625	1		
68 632		COVER (R), RETRACTOR	FB01-68-632	1		
68 632Z		COVER (L), RETRACTOR-REAR	FB01-68-642	1		
68 633		COVER (R), QUARTER PILLAR	FB01-68-633	1		
68 633Z		COVER (L), QUARTER PILLAR	FB01-68-643	1		
68 636		INSULATOR (R), CROSS MEMBER	FB01-68-636A	1		
68 636Z		INSULATOR (L), CROSS MEMBER	FB01-68-646A	1		
68 637		COVER (R), RETRACTOR-FRONT	FB01-68-637	1		
68 637Z		COVER (L), RETRACTOR-FRONT	FB01-68-647	1		
68 651F		PAD, FRONT FLOOR	FB01-68-652	1		
68 653A		INSULATOR, SPARE TIRE	FB01-68-653	1		
68 658A		PAD, STORAGE BOX	FB01-68-658	1	STD, SE, SPT	
			FB03-68-658	1	GXL	
68 661C		INSULATOR, BONNET	FB03-68-661A	1		
68 663		INSULATOR (R), TIRE HOUSING	FB01-68-663	1	W/O SILENCER PAD	
			FB03-68-663	1	W/ SILENCER PAD	
68 663Z		INSULATOR (L), TIRE HOUSING	FB01-68-664	1	W/O SILENCER PAD	
			FB03-68-664	1	W/ SILENCER PAD	
68 665C		PAD, TRUNK	FB01-68-668	1	W/O SILENCER PAD	
			FB03-68-668	1	W/ SILENCER PAD	
68 666B		PAD (R), SIDE-DASHBOARD	FB03-68-666A	1		
68 666X		PAD (L), SIDE-DASHBOARD	FB03-68-667A	1		
68 671A		MAT, FLOOR	FB01-68-671B	1	UNWOVEN CLOTH W/ CONSOLE	
		GRAY	07			
		RED	10			
		BL'VE	48			
			FB02-68-671B	1	CARPET W/O SILENCER	
		GRAY	07			
		RED	10			
		BLUE	48			
			FB04-68-671C	1	CARPET W/ SILENCER PAD	
		GRAY	07			
		RED	10			

**6860A-2 FLOOR MATS & PADS
(COUPE) (W/O TURBO)**



ITEM NO.	D-CODE	DESCRIPTION	PART NO.	QTY	MODEL/DESCRIPTION	REMARKS
	68 671A (CONT'D)	BLUE	48			
			FB05-68-671	1	CARPET W/ SILENCER PAD	
		GRAY	07			
		RED	10			
	68 678B	BLUE	48			
		MAT, PARKING BRAKE	FB01-68-673	1	UNWOVEN CLOTH	
		GRAY	07			
		RED	10			
		BLUE	48			
			FB02-68-673	1	CARPET	
		GRAY	07			
		RED	10			
		BLUE	48			
			FB67-68-673	1	CARPET	
		DARK GRAY	07			
		RED	10			
68 678F		GUARD, HARNESS-FRONT	FB01-68-678A	2		
68 681G		MAT, END-TRUNK ROOM	FB01-68-681A	1	2 2	
		GRAY	07			
		RED	10			
		BLUE	48			
68 691E		COVER, OPENER-FLOOR MAT	FB01-68-691D	1		
		DARK GRAY	09			
		RED	10			
		BLUE	48			
68 695		MAT, TRUNK ROOM	FB40-68-69X	1	W/O SILENCER PAD W/ CARGO STRAP 2 2	
		GRAY/DARK GRAY	07			
		RED	10			
		BLUE	48			
			FB01-68-69X	1		
			FB03-68-69X	1	W/ STORAGE BOX 2-SEATER LX PKG, SPT PKG SE	
		GRAY	07			
		RED	10			
		BLUE	48			

6860A-3 FLOOR MATS & PADS (COUPE) (W/O TURBO)

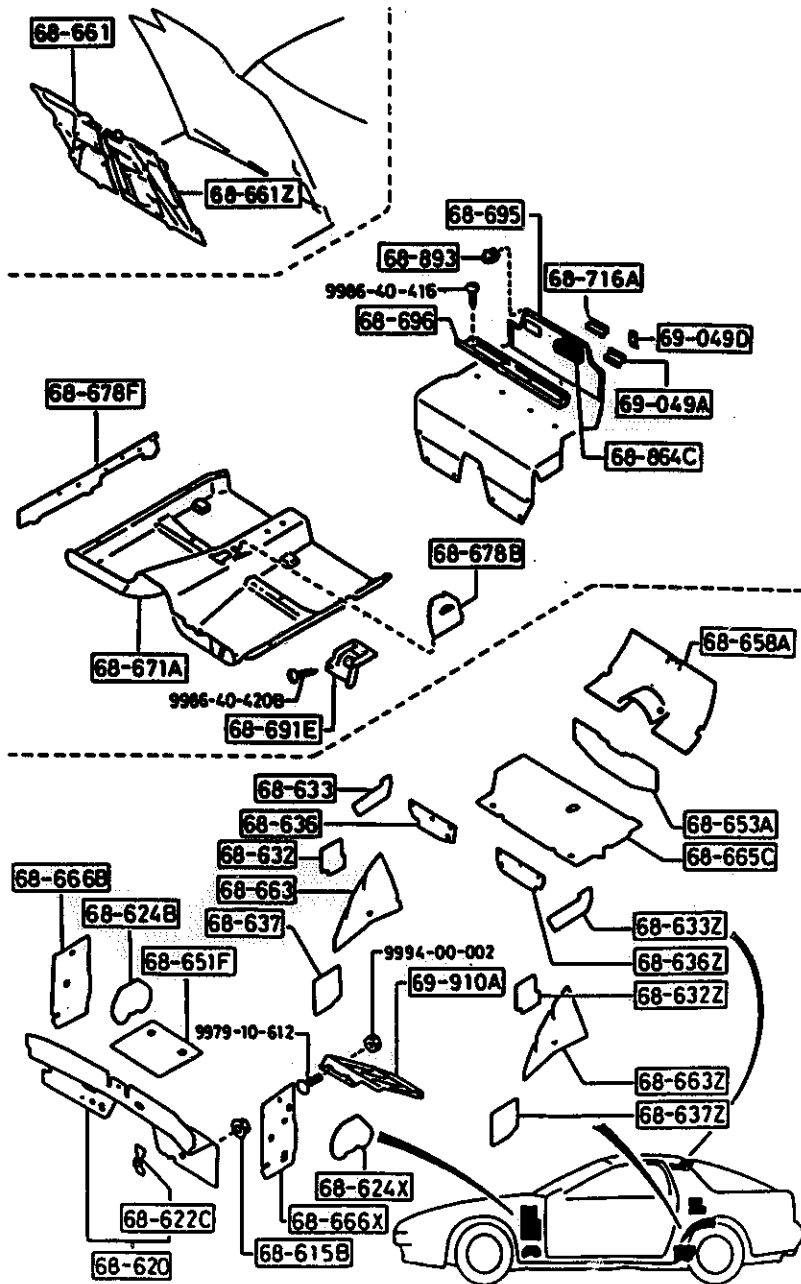


ITEM NO.	D-CODE	DESCRIPTION	PART NO.	QTY	MODEL/DESCRIPTION	REMARKS
68 695	(CONTD)		FB07-68-69X	1	GXL	
		GRAY	07			
		RED	10			
		BLUE	48			
68 696		PLATE, MAT SET	FB01-68-696	1	2 SEATER	
		DARK GRAY	07			
		RED	10			
		BLUE	48			
			FB09-68-696B	1	2 2	
		DARK GRAY	07			
		RED	10			
		BLUE	48			
68 716A		NUT, SPEED	FB03-68-862	2		
68 864C		GRILLE, EXTRACT	FB01-68-864	2	FOR TEMPORARY TIRE	
		DARK GRAY	07			
		RED	10			
		BLUE	48			
68 893		LATCH, TRUNK END TRIM	FB01-68-893	2		
		DARK GRAY	07			
		RED	10			
		BLUE	48			
69 049A		NUT, SPEED	FB04-68-862	2		
69 049D		NUT, SPEED	FB05-68-862	4		
69 910A		SUPPORT, FOOT	FB01-69-697A	1		

SECTION INDEX -- BODY

STARTING LOCATION	SECT. NO.	SECTION NAME	STARTING LOCATION	SECT. NO.	SECTION NAME	STARTING LOCATION	SECT. NO.	SECTION NAME
3 - C 3	6682	AUDIO SYSTEMS (ANTENNA & SPEAKER)	3 - E 6	6860AB	FLOOR MATS & PADS (CONVERTIBLE)			
3 - F 3	6684	AUDIO SYSTEMS (NOISE SUPPRESSOR & GROUND CORD)	3 - G 6	6865A	TRIM CLIPS & FASTENERS (COUPE)			
3 - G 3	6700	WIRING HARNESSSES (FRONT & REAR) (COUPE) (W/O ANTI-LOCK BRAKE SYSTEM)	3 - H 6	6865AA	TRIM CLIPS & FASTENERS (CONVERTIBLE)			
3 - H 3	6700A	WIRING HARNESSSES (FRONT & REAR) (COUPE) (ANTI-LOCK BRAKE SYSTEM)	3 - J 6	6870	SERVICE TOOLS			
3 - I 3	6700B	WIRING HARNESSSES (FRONT & REAR) (CONVERTIBLE)						
3 - J 3	6701	WIRING HARNESSSES (ENGINE & T/MISSION) (COUPE) (W/O ANTI-LOCK BRAKE SYSTEM)	3 - C 7	6900A	VISORS, ASSIST HANDLES & MIRRORS			
3 - K 3	6701A	WIRING HARNESSSES (ENGINE & T/MISSION) (COUPE) (ANTI-LOCK BRAKE SYSTEM)	3 - H 7	6930	CAUTION PLATES & LABELS			
3 - L 3	6701B	WIRING HARNESSSES (ENGINE & T/MISSION) (CONVERTIBLE)	3 - J 7	7250	QUARTER WINDOW & TRIMS			
3 - M 3	6702	WIRING HARNESSSES (DASHBOARD) (COUPE) (W/O ANTI-LOCK BRAKE SYSTEM)	3 - K 7	7800	SPOILERS & RELATED PARTS			
3 - N 3	6702A	WIRING HARNESSSES (DASHBOARD) (COUPE) (ANTI-LOCK BRAKE SYSTEM)	3 - L 7	7900	ACCESSORIES-CONSOLE LID			
3 - C 4	6702B	WIRING HARNESSSES (DASHBOARD) (CONVERTIBLE)						
3 - D 4	6703	WIRING HARNESSSES (DOOR, FLOOR/CEILING)						
3 - E 4	6704	WIRING HARNESS CLAMPS						
3 - G 4	6720	WINDSHIELD WASHER						
3 - I 4	6730	WINDSHIELD WIPERS						
3 - J 4	6740	WIPER MOTOR COMPONENTS (FRONT)						
3 - K 4	6750	WINDOW WIPER & WASHER (REAR) (COUPE)						
3 - L 4	6760	WINDOW WIPER MOTOR COMPONENTS (REAR) (COUPE)						
3 - M 4	6800A	CEILING TRIMS (COUPE)						
3 - N 4	6800AB	CEILING TRIMS (CONVERTIBLE)						
3 - C 5	6810	ROLLBAR (CONVERTIBLE)						
3 - D 5	6820A	PILLAR TRIMS (COUPE)						
3 - E 5	6820AA	PILLAR TRIMS (CONVERTIBLE)						
3 - F 5	6840A	TRIMS & SCUFF PLATES (COUPE)						
3 - J 5	6840AB	TRIMS & SCUFF PLATES (CONVERTIBLE)						
3 - K 5	6845	STORAGE BOX (2-SEATER)						
3 - L 5	6860A	FLOOR MATS & PADS (COUPE) (W/O TURBO)						
3 - C 6	6860AA	FLOOR MATS & PADS (COUPE) (TURBO)						

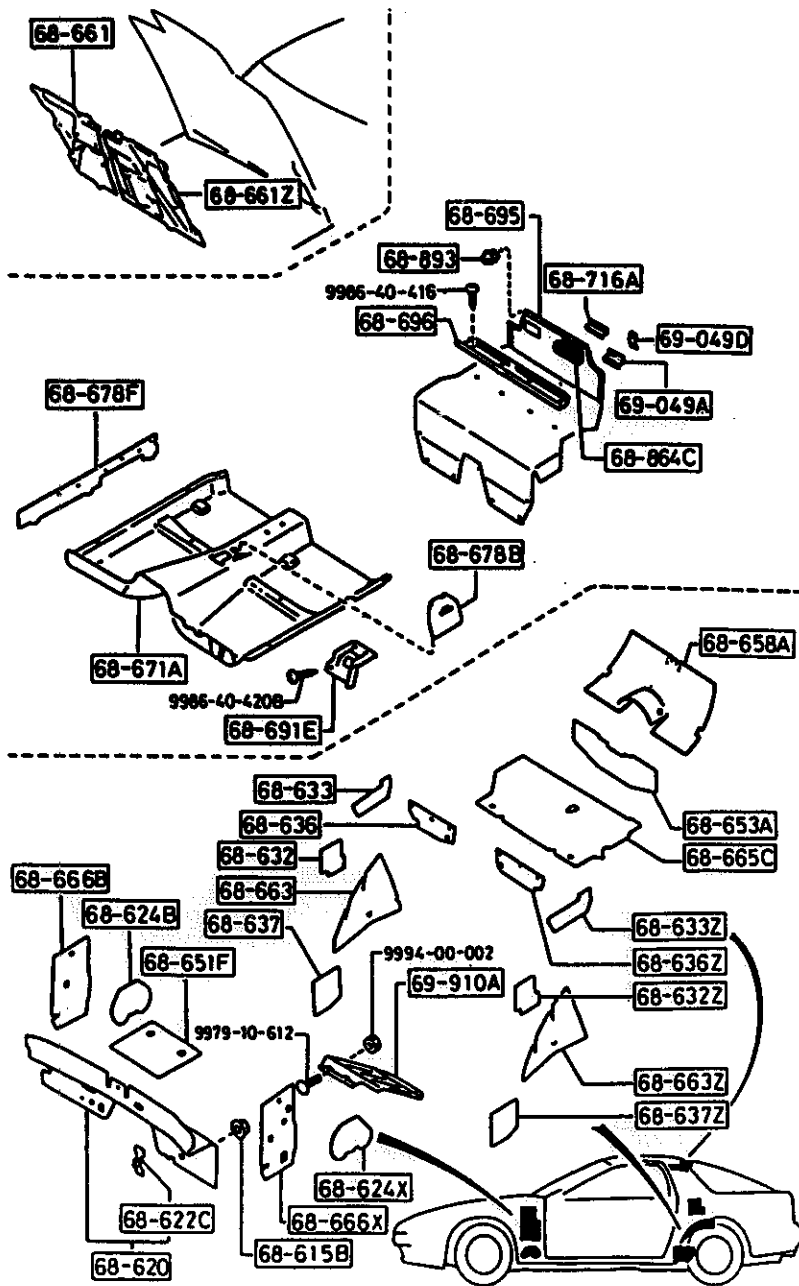
**6860AA-1 FLOOR MATS & PADS
(COUPE) (TURBO)**



ITEM NO.	D-CODE	DESCRIPTION	PART NO.	QTY	MODEL/DESCRIPTION	REMARKS
68 615B		NUT, FLANGE-CAP	6100-68-615	13		
68 620		INSULATOR, DASHBOARD	FB04-68-620A	1		
68 622C		CLIP, DASHBOARD INSULATOR	FB01-68-622	4		
68 624B		COVER (R), HOLE-DASHBOARD INSULATOR	FB01-68-624	1		
68 624X		COVER (L), HOLE-DASHBOARD INSULATOR	FB01-68-625	1		
68 632		COVER (R), RETRACTOR	FB01-68-632	1		
68 632Z		COVER (L), RETRACTOR-REAR	FB01-68-642	1		
68 633		COVER (R), QUARTER PILLAR	FB01-68-633	1		
68 633Z		COVER (L), QUARTER PILLAR	FB01-68-643	1		
68 636		INSULATOR (R), CROSS MEMBER	FB01-68-636A	1		7701-
68 636Z		INSULATOR (L), CROSS MEMBER	FB01-68-646A	1		7701-
68 637		COVER (R), RETRACTOR-FRONT	FB01-68-637	1		
68 637Z		COVER (L), RETRACTOR-FRONT	FB01-68-647	1		
68 651F		PAD, FRONT FLOOR	FB01-68-652	1		
68 653A		INSULATOR, SPARE TIRE	FB01-68-653	1		
68 658A		PAD, STORAGE BOX	FB03-68-658	1		
68 661		INSULATOR (R), HOOD	F046-68-661B	1		
68 661Z		INSULATOR (L), HOOD	F046-68-662A	1		
68 663		INSULATOR (R), TIRE HOUSING	FB03-68-663	1		
68 663Z		INSULATOR (L), TIRE HOUSING	FB03-68-664	1		
68 665C		PAD, TRUNK	FB03-68-668	1		
68 666B		PAD (R), SIDE-DASHBOARD	FB03-68-666A	1		
68 666X		PAD (L), SIDE-DASHBOARD	FB03-68-667A	1		
68 671A		MAT, FLOOR	FB04-68-671C	1		-7701
		GRAY	07			
		RED	10			
		BLUE	48			
			FB05-68-671A	1		7701-
		GRAY	07			
		RED	10			
		BLUE	48			
68 678B		MAT, PARKING BRAKE	FB02-68-673	1		-7701
		GRAY	07			
		RED	10			
		BLUE	48			
			FB67-68-673	1		7701-
		DARK GRAY	07			
		RED	10			
		BLUE	48			
68 678F		GUARD, HARNESS-FRONT	FB01-68-678A	2		

7701 FC33* -550169

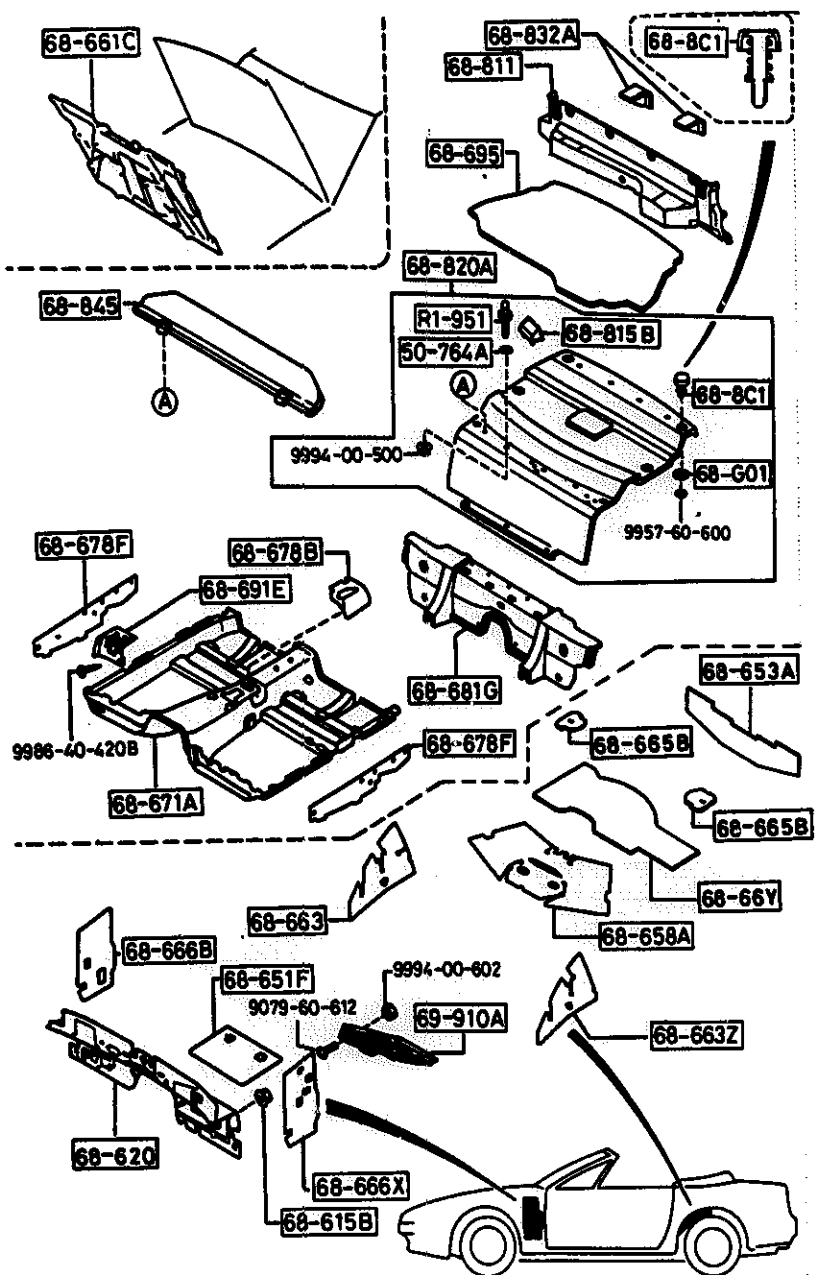
**6860AA-2 FLOOR MATS & PADS
(COUPE) (TURBO)**



ITEM NO.	D-CODE	DESCRIPTION	PART NO.	QTY	MODEL/DESCRIPTION	REMARKS
68 691E		COVER, OPENER-FLOOR MAT	FB01-68-691D	1		
		DARK GRAY	09			
		RED	10			
		BLUE	48			
68 695		MAT, TRUNK ROOM	FB07-68-69X	1	W/ STORAGE BOX	-7701
		GRAY	07			
		RED	10			
		BLUE	48			
68 696		PLATE, MAT SET	FB01-68-696	1		
		DARK GRAY	07			
		RED	10			
		BLUE	48			
68 716A		NUT, SPEED	FB03-68-862	2		
68 864C		GRILLE, EXTRACT	FB01-68-864	2	FOR TEMPORARY TIRE	
		DARK GRAY	07			
		RED	10			
		BLUE	48			
68 893		LATCH, TRUNK END TRIM	FB01-68-893	2		
		DARK GRAY	07			
		RED	10			
		BLUE	48			
69 049A		NUT, SPEED	FB04-68-862	2		
69 049D		NUT, SPEED	FB05-68-862	4		
69 910A		SUPPORT, FOOT	FB01-69-697A	1		

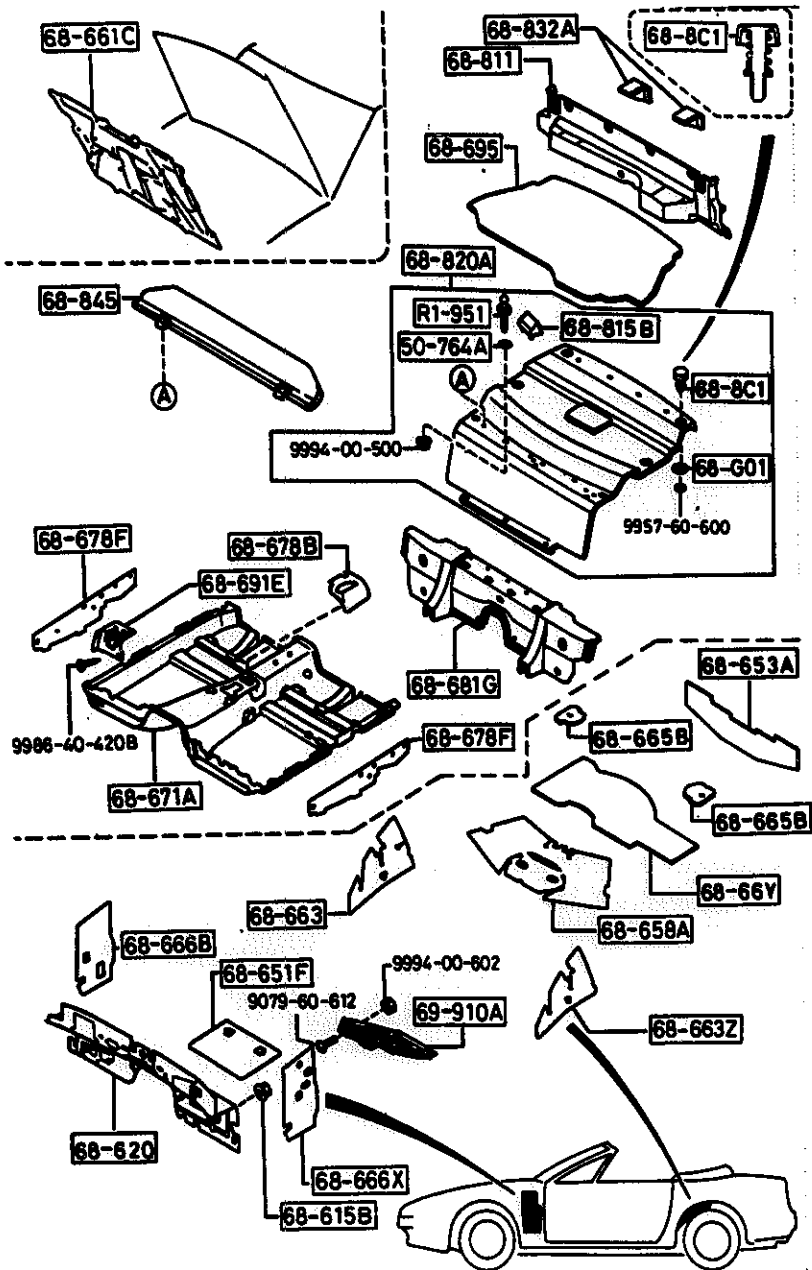
7701 FC33* -550169

**6860AB-1 FLOOR MATS & PADS
(CONVERTIBLE)**



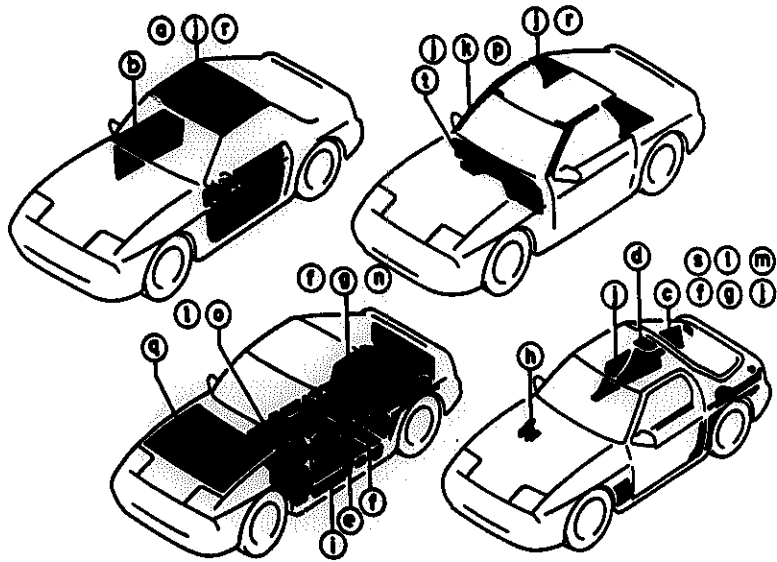
ITEM NO.	D-CODE	DESCRIPTION	PART NO.	QTY	MODEL/DESCRIPTION	REMARKS
50 764A		WASHER, COVER-SPARE TIRE	FB67-50-764A	2		
68 615B		NUT, FLANGE-CAP	B100-68-615	11		
68 620		INSULATOR, DASHBOARD	FB67-68-620	1		
68 651F		PAD, FRONT FLOOR	FB01-68-652	1		
68 653A		INSULATOR, SPARE TIRE	FB01-68-653	1		
68 658A		PAD, STORAGE BOX	FB67-68-658	1		
68 661C		INSULATOR, BONNET	FB03-68-661A	1		
68 663		INSULATOR (R), TIRE HOUSING	FB01-68-663	1		
68 663Z		INSULATOR (L), TIRE HOUSING	FB01-68-664	1		
68 665B		PAD, SUSPENSION	FB67-68-665	2		
68 666B		PAD (R), SIDE-DASHBOARD	FB03-68-666A	1		
68 666X		PAD (L), SIDE-DASHBOARD	FB03-68-667A	1		
68 66Y		PAD, FLOOR-REAR	FB67-68-66Y	1		
68 671A		MAT, FLOOR	FB67-68-671	1		
		GRAY	07			
		BLUE	48			
68 678B		MAT, PARKING BRAKE	FB67-68-673	1		
		DARK GRAY	07			
		RED	10			
		BLUE	48			
68 678F		GUARD, HARNESS-FRONT	FB67-68-678	2		
68 681G		MAT, END-TRUNK ROOM	FB67-68-681	1		
		GRAY	07			
		BLUE	48			
68 691E		COVER, OPENER-FLOOR MAT	FB01-68-691D	1		
		DARK GRAY	09			
		RED	10			
		BLUE	48			
68 695		MAT, TRUNK ROOM	FB67-68-831B	1		
		GRAY/DARK GRAY	07			
68 811		BOARD, PARTITION	FB67-68-821A	1		
		DARK GRAY	07			
68 815B		RUBBER, CUSHION	FB67-68-815	2		
68 820A		COVER, SPARE TIRE	FB67-68-810C	1		
		GRAY	07			
		BLUE	48			
68 832A		BRACKET, TRUNK BOARD	FB67-68-832	2		
68 845		BLOCKER, WIND	FB67-68-845	1		
		DARK GRAY	07			
		BLUE	48			
68 8C1		FASTENER, TAPPING	FB67-68-8C1	6		

**6860AB-2 FLOOR MATS & PADS
(CONVERTIBLE)**



ITEM NO.	D-CODE	DESCRIPTION	PART NO.	QTY	MODEL/DESCRIPTION	REMARKS
68 8C1 (CONT'D)		DARK GRAY	09			
69 910A		SUPPORT, FOOT	FB01-69-697A	1		
76 071		SILENCER, FLOOR	0208-76-071	2		
R1 951		HOOK 'A', HOOD COVER-REAR	B235-R1-951C	2		

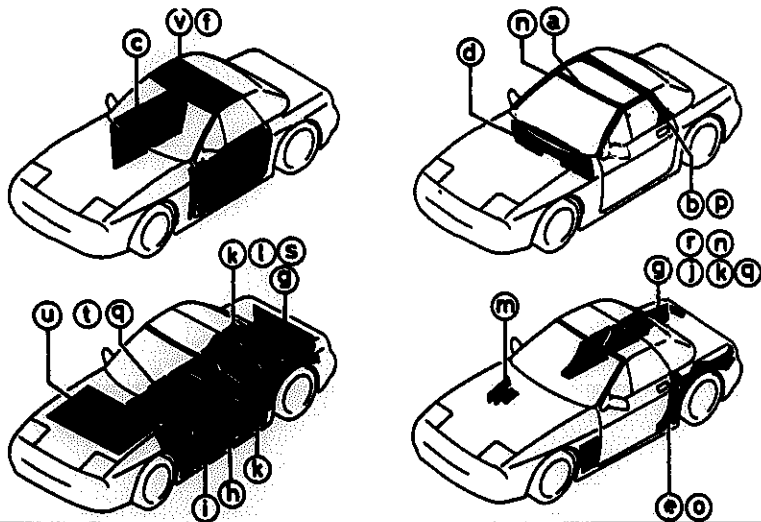
6865A-1 TRIM CLIPS & FASTENERS (COUPE)



a 68-042B 	b 68-40I 	c 68-852 	d 68-865 (8040-68-865A) 	e 68-855C
f 68-865C 	g 68-865D 	h 68-865E 	i 68-865 (8003-68-865) 	j 68-865N
k 68-866A 	l 68-866C 	m 68-866E 	n 68-866F 	o 68-866J
p 68-866Y 	q 68-885 	r 69-885C 	s 8957-30-600 	t 68-822C

ITEM NO.	D-CODE	DESCRIPTION	PART NO.	QTY	MODEL/DESCRIPTION	REMARKS
68 042B		CLIP, GARNISH	FB01-68-042	5		
68 40I		FASTENER, DOOR TRIM	B100-68-40I	18		
68 622C		CLIP, DASHBOARD INSULATOR	FB01-68-622	4		
68 852		FASTNER, TURN-SIDE LID	FB01-68-852	3		
68 855C		FASTENER	G043-68-865B	1		
		DARK GRAY	09			
		RED	11			
		BLUE	48			
68 865		FASTENER	B040-68-865A	4		
		DARK GRAY	09			
		RED	11			
		BLUE	48			
		GRAY	96			
68 865C		FASTENER	G032-68-865A	24		
		DARK GRAY	09			
		RED	11			
		BLUE	48			
68 865D		FASTENER	S083-68-865A	20		
		DARK GRAY	09			
		RED	11			
		BLUE	48			
68 865E		FASTENER	S049-68-865	6		
		BLACK	00			
		GRAY	09			
		RED	10			
		BLUE	48			
68 865F		FASTENER	B003-68-865	13		
		OFF-BLACK	65			
68 865N		CLIP, TRIM	H002-68-865	38		
68 866A		CLIP (R), TRIM	H003-68-865	2		
68 866C		FASTENER, SEAL	B235-68-865A	9		
68 866E		FASTENER, SEAL	0187-58-922	2		
68 866F		FASTENER, SEAL	G031-68-866B	4		
68 866J		FASTENER, SEAL	FB01-68-866	1		
68 866Y		CLIP (L), TRIM	H003-68-866	2		
68 885		FASTENER	G030-68-885B	16		
		BLACK	00			
69 885C		FASTENER	UB54-68-885	8		
		BLACK	00			
		DARK GRAY	07			
		BLUE	48			

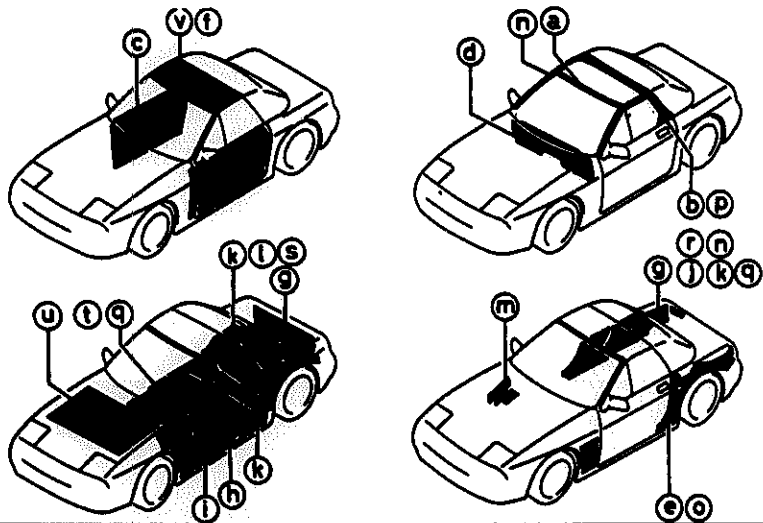
6865AA-1 TRIM CLIPS & FASTENERS (CONVERTIBLE)



a 68-053D 	b 68-285 	c 68-401 	d 68-622C 	e 68-675
f 68-8X2 	g 68-852 	h 68-855C 	i 68-865 (8003-88-865) 	j 68-865 (F867-68-865)
k 68-865C 	l 68-865D 	m 68-865E 	n 68-865N 	
p 68-865S 	q 68-866C 	r 68-866E 	s 68-866F 	t 68-866J
u 68-885 	v 69-885C 			

ITEM NO.	D-CODE	DESCRIPTION	PART NO.	QTY	MODEL/DESCRIPTION	REMARKS
68 053D		CLIP, RR. PILLAR TRIM	B100-68-279	8		
68 285		FASTENER, HINGE COVER GRAY BLUE	FB67-68-285 07 48	2		
68 401		FASTENER, DOOR TRIM	B100-68-401	16		
68 622C		CLIP, DASHBOARD INSULATOR	FB01-68-622	5		
68 675		FASTENER DARK GRAY BLUE	B100-68-675 07 48	2		
68 812		FASTENER, TIRE COVER	FB67-68-812	6		
68 852		FASTENER, TURN-SIDE LID	FB01-68-852	2		
68 855C		FASTENER DARK GRAY RED BLUE	G043-68-865B 09 11 48	1		
68 865		FASTENER OFF-BLACK GRAY	B003-68-865 65 09	11		
68 865C		FASTENER DARK GRAY RED BLUE	FB67-68-865 17 09	17		
68 865D		FASTENER DARK GRAY RED BLUE	G032-68-865A 23 09 11 48	23		
68 865E		FASTENER DARK GRAY RED BLUE	S083-68-865A 12 09 11 48	12		
68 865F		FASTENER BLACK GRAY RED BLUE	S049-68-865 10 00 09 10 48	10		
68 865N		CLIP, TRIM	H002-68-865	16		
68 865Q		FASTENER GRAY BLUE	GJ21-68-885A 6 07 48	6		
68 865S		CLIP, TRIM	GJ12-68-865	6		
68 866C		FASTENER, SEAL	B235-68-865A	12		
68 866E		FASTENER, SEAL	D187-58-922	2		
68 866F		FASTENER, SEAL	G031-68-866B	2		
68 866J		FASTENER, SEAL	FB01-68-866	1		

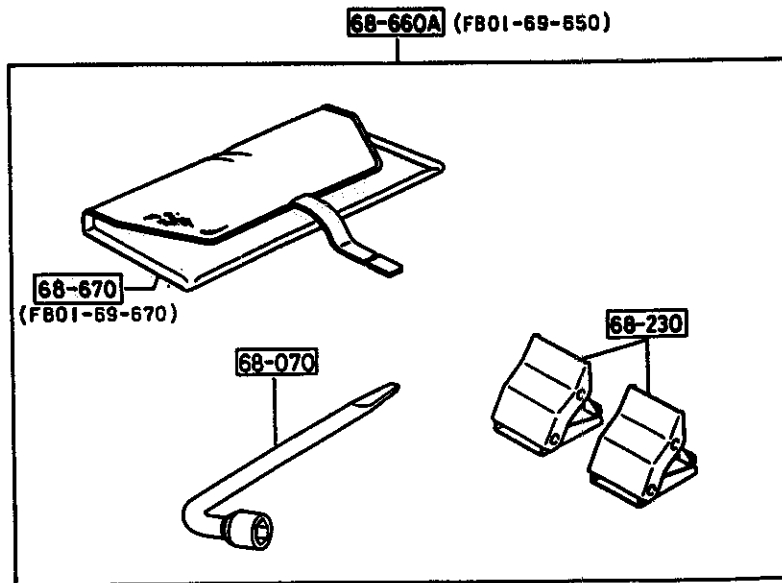
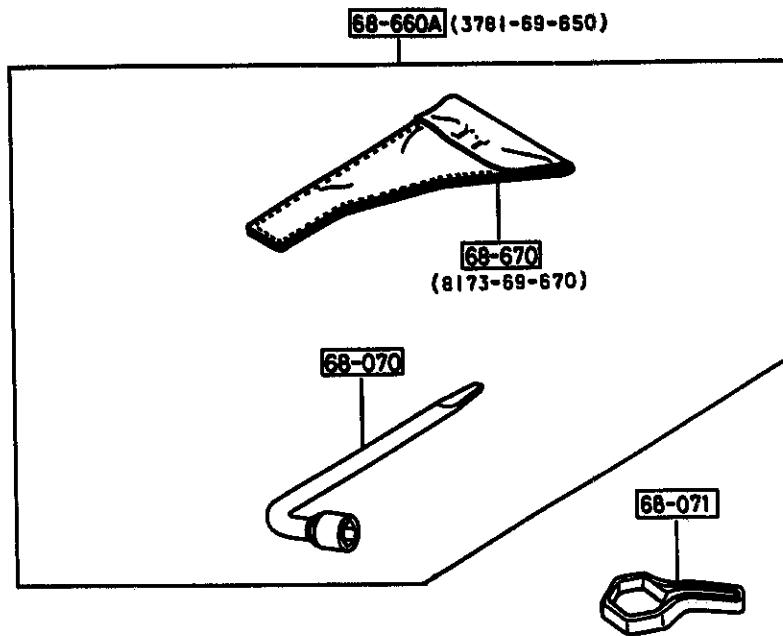
**6865AA-2 TRIM CLIPS & FASTENERS
(CONVERTIBLE)**



a 68-053D 	b 68-285 	c 68-401 	d 68-622C 	e 68-675
f 68-8X2 	g 68-852 	h 68-855C 	i 68-865 (8003-68-865) 	l 68-865 (P867-68-865)
k 68-865C 	l 68-865D 	m 68-865E 	n 68-865N 	
p 68-865S 	q 68-866C 	r 68-866E 	s 68-866F 	t 68-866J
u 68-885 	v 69-885C 			

ITEM NO.	D-CODE	DESCRIPTION	PART NO.	QTY	MODEL/DESCRIPTION	REMARKS
68 885		FASTENER BLACK	G030-68-885B 00	16		
69 885C		FASTENER BLACK DARK GRAY BLUE	UB54-68-885 00 07 48	4		

6870-1 SERVICE TOOLS



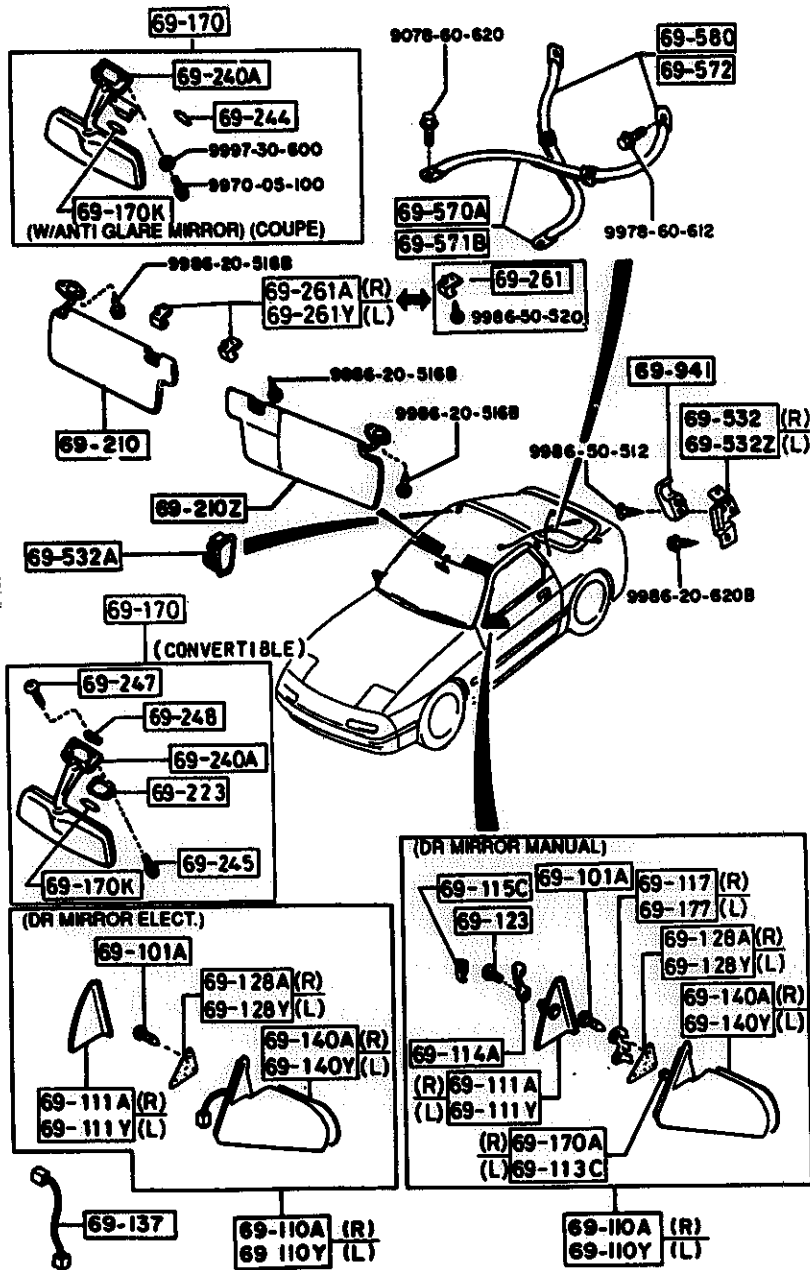
ITEM NO.	D-CODE	DESCRIPTION	PART NO.	QTY	MODEL/DESCRIPTION	REMARKS
68 070		WRENCH, HUB NUT	0810-68-070E	1		
68 071		WRENCH, WHEEL CAP	F057-68-071	1	CONV.	
68 230		STOPPER, WHEEL	0208-68-230	2		
68 660A		TOOL SET	3781-69-650	1		-5801
			FB01-69-650A	1		5801-
68 670		BAG, TOOL	8173-69-670	1		-5801
			FB01-69-670A	1		5801-

5801 FC33* -113629

SECTION INDEX -- BODY

STARTING LOCATION	SECT. NO.	SECTION NAME	STARTING LOCATION	SECT. NO.	SECTION NAME	STARTING LOCATION	SECT. NO.	SECTION NAME
3 - C 3	6682	AUDIO SYSTEMS (ANTENNA & SPEAKER)	3 - G 6	6865A	TRIM CLIPS & FASTENERS (COUPE)			
3 - F 3	6684	AUDIO SYSTEMS (NOISE SUPPRESSOR & GROUND CORD)	3 - H 6	6865AA	TRIM CLIPS & FASTENERS (CONVERTIBLE)			
3 - G 3	6700	WIRING HARNESSSES (FRONT & REAR) (COUPE) (W/O ANTI-LOCK BRAKE SYSTEM)	3 - J 6	6870	SERVICE TOOLS			
3 - H 3	6700A	WIRING HARNESSSES (FRONT & REAR) (COUPE) (ANTI-LOCK BRAKE SYSTEM)	3 - C 7	6900A	VISORS, ASSIST HANDLES & MIRRORS			
3 - I 3	6700B	WIRING HARNESSSES (FRONT & REAR) (CONVERTIBLE)	3 - H 7	6930	CAUTION PLATES & LABELS			
3 - J 3	6701	WIRING HARNESSSES (ENGINE & T/MISSION) (COUPE) (W/O ANTI-LOCK BRAKE SYSTEM)	3 - J 7	7250	QUARTER WINDOW & TRIMS			
3 - K 3	6701A	WIRING HARNESSSES (ENGINE & T/MISSION) (COUPE) (ANTI-LOCK BRAKE SYSTEM)	3 - K 7	7800	SPOILERS & RELATED PARTS			
3 - L 3	6701B	WIRING HARNESSSES (ENGINE & T/MISSION) (CONVERTIBLE)	3 - L 7	7900	ACCESSORIES-CONSOLE LID			
3 - M 3	6702	WIRING HARNESSSES (DASHBOARD) (COUPE) (W/O ANTI-LOCK BRAKE SYSTEM)						
3 - N 3	6702A	WIRING HARNESSSES (DASHBOARD) (COUPE) (ANTI-LOCK BRAKE SYSTEM)						
3 - C 4	6702B	WIRING HARNESSSES (DASHBOARD) (CONVERTIBLE)						
3 - D 4	6703	WIRING HARNESSSES (DOOR, FLOOR/CEILING)						
3 - E 4	6704	WIRING HARNESS CLAMPS						
3 - G 4	6720	WINDSHIELD WASHER						
3 - I 4	6730	WINDSHIELD WIPERS						
3 - J 4	6740	WIPER MOTOR COMPONENTS (FRONT)						
3 - K 4	6750	WINDOW WIPER & WASHER (REAR) (COUPE)						
3 - L 4	6760	WINDOW WIPER MOTOR COMPONENTS (REAR) (COUPE)						
3 - M 4	6800A	CEILING TRIMS (COUPE)						
3 - N 4	6800AB	CEILING TRIMS (CONVERTIBLE)						
3 - C 5	6810	ROLLBAR (CONVERTIBLE)						
3 - D 5	6820A	PILLAR TRIMS (COUPE)						
3 - E 5	6820AA	PILLAR TRIMS (CONVERTIBLE)						
3 - F 5	6840A	TRIMS & SCUFF PLATES (COUPE)						
3 - J 5	6840AB	TRIMS & SCUFF PLATES (CONVERTIBLE)						
3 - K 5	6845	STORAGE BOX (2-SEATER)						
3 - L 5	6860A	FLOOR MATS & PADS (COUPE) (W/O TURBO)						
3 - C 6	6860AA	FLOOR MATS & PADS (COUPE) (TURBO)						
3 - E 6	6860AB	FLOOR MATS & PADS (CONVERTIBLE)						

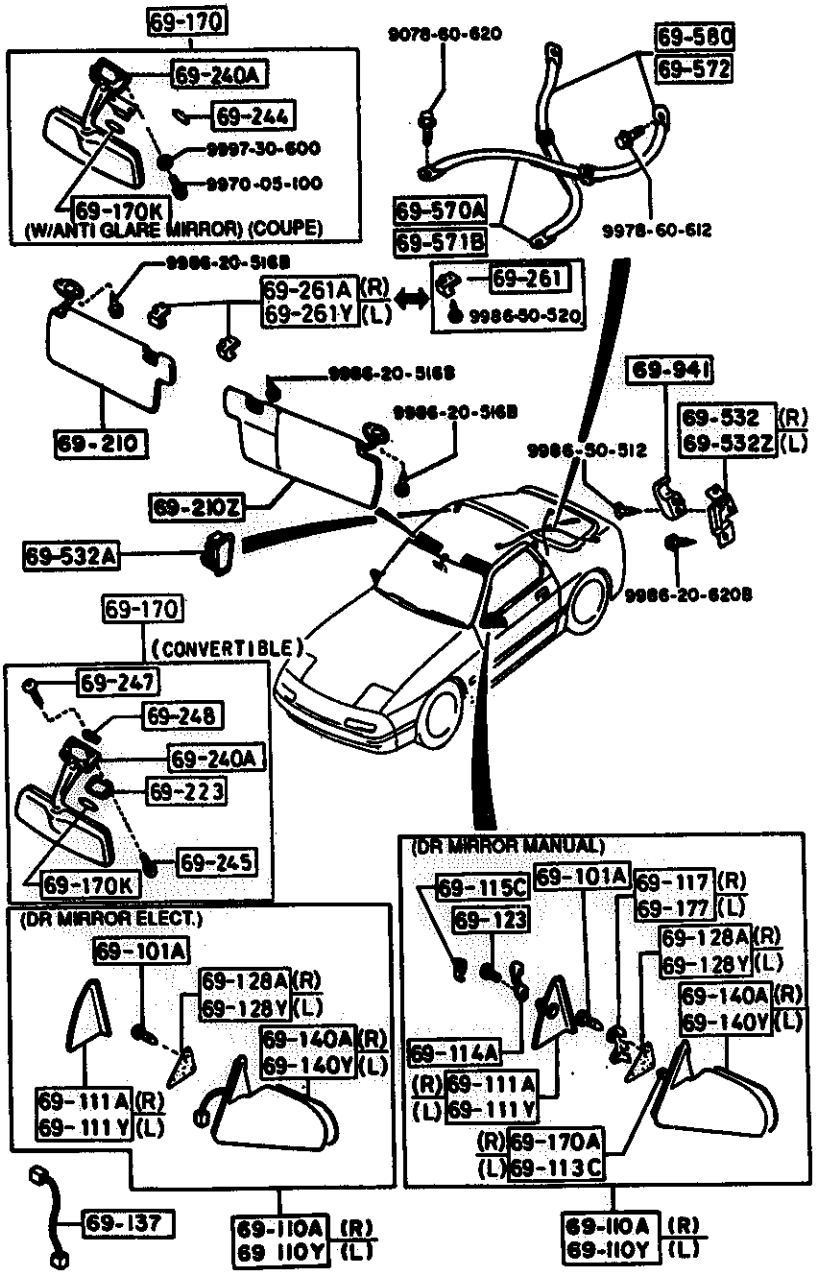
6900A-1 VISORS, ASSIST HANDLES & MIRRORS



ITEM NO.	D-CODE	DESCRIPTION	PART NO.	QTY	MODEL/DESCRIPTION	REMARKS
69 101A		SCREW, DOOR MIRROR	H140-69-126	6		-6501
			G032-69-126	6		6501-
69 110A		MIRROR (R), DOOR	FB01-69-110A	1	BASE, SE, SPORT MANUAL DOOR MIRROR	-6501
		<C>	FB01-69-110B	1	BASE, SE, SPORT MANUAL DOOR MIRROR REQUIRES BRACKET: F044-69-124A	6501-
			FB11-69-110C	1	GXL ELEC. DOOR MIRROR-BLACK	-6501
		<C>	FB11-69-110D	1	GXL ELEC. DOOR MIRROR-BLACK REQUIRES BRACKET: F044-69-124A	6501-
			FB45-69-110	1	'87 TURBO ELEC. DOOR MIRROR-BODY COLOR	-6501
		ARCTIC SILVER METALLIC	J5			
		TORNADO SILVER METALLIC	K8			
		PURE RED	NP			
		BRILLIANT BLACK	PZ			
		DOVER WHITE	WU			
		SATIN GOLD METALLIC	1A			
		ROYAL MAROON METALLIC	3A			
		SAPPHIRE BLUE METALLIC	5A			
		<C>	FB45-69-110A	1	'88 SPORT, GTU, TURBO, CONV. ELEC. DOOR MIRROR-BODY COLOR	6501-
		ARCTIC SILVER METALLIC	J5			
		TORNADO SILVER METALLIC	K8			
		BRILLIANT BLACK	PZ			
		SUNRISE RED	RH			
		CRYSTAL WHITE	UC			7701-
		NOBLE WHITE	WY			
		SATIN GOLD METALLIC	1A			
		CLARET METALLIC	2H			
		SAPPHIRE BLUE METALLIC	5A			
69 110Y		MIRROR (L), DOOR	FB01-69-170A	1	BASE, SE, SPORT MANUAL DOOR MIRROR	-6501
		<C>	FB01-69-170B	1	BASE, SE, SPORT MANUAL DOOR MIRROR REQUIRES BRACKET: F044-69-184A	6501-

6501 FC33* -146093
7701 FC33* -550169

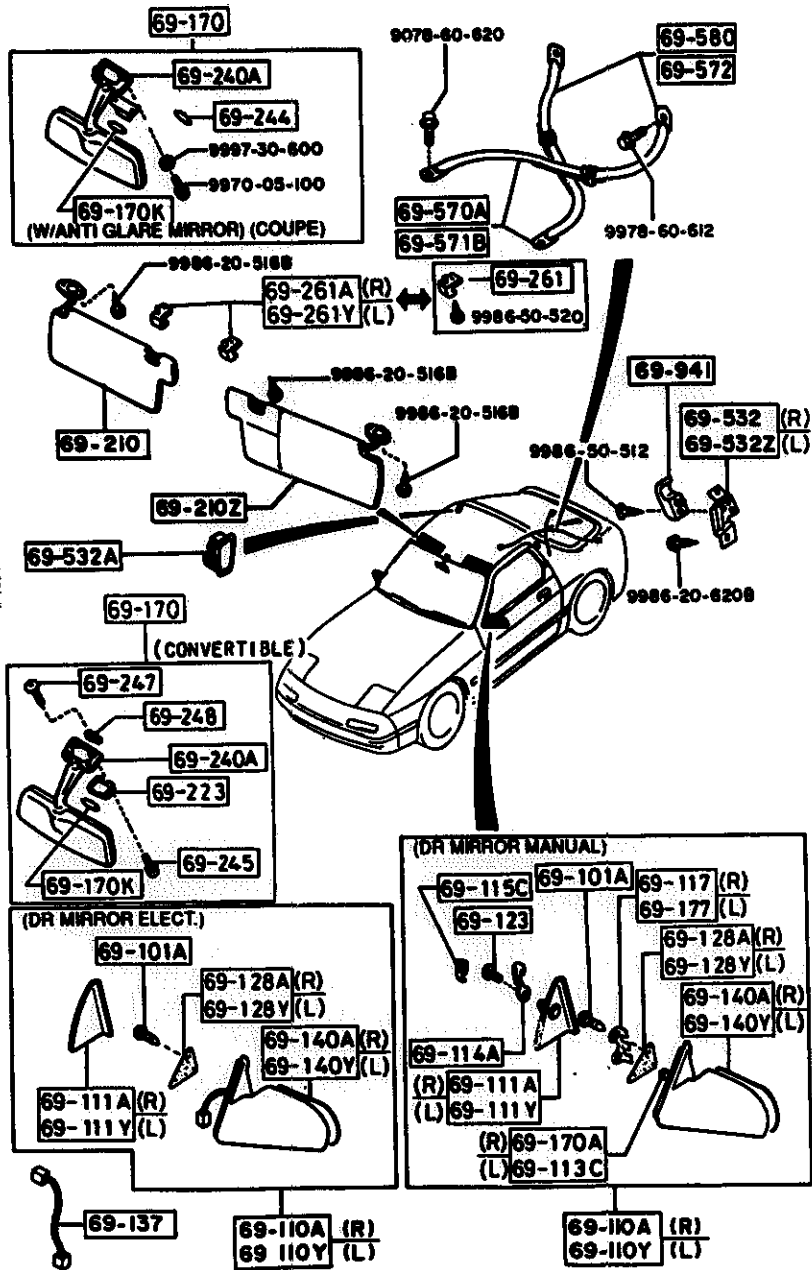
6900A-2 VISORS, ASSIST HANDLES & MIRRORS



ITEM NO.	D-CODE	DESCRIPTION	PART NO.	QTY	MODEL/DESCRIPTION	REMARKS
69 110Y (CONT'D)			FB11-69-170C	1	GXL	-6501
			FB11-69-170D	1	ELEC. DOOR MIRROR-BLACK	6501-
		MIRROR (L), DOOR	FB45-69-170	1	GXL ELEC. DOOR MIRROR-BLACK REQUIRES BRACKET: F044-69-184A	
					'87 TURBO ELEC. DOOR MIRROR-BODY COLOR REQ. BRACKET: F044-69-184A	-6501
		ARCTIC SILVER METALLIC	J5			
		TORNADO SILVER METALLIC	K8			
		PURE RED	NP			
		BRILLIANT BLACK	PZ			
		DOVER WHITE	WU			
		SATIN GOLD METALLIC	1A			
		ROYAL MAROON METALLIC	3A			
		SAPPHIRE BLUE METALLIC	5A			
			FB45-69-170A	1	'88 SPORT, GTU, TURBO, CONV. ELEC. DOOR MIRROR-BODY COLOR	6501-
		ARCTIC SILVER METALLIC	J5			
		TORNADO SILVER METALLIC	K8			
		BRILLIANT BLACK	PZ			
		SUNRISE RED	RH			
		CRYSTAL WHITE	UC			
		NOBLE WHITE	WY			
		SATIN GOLD METALLIC	1A			
		CLARET METALLIC	2H			
		SAPPHIRE BLUE METALLIC	5A			7701-
69 111A		GARNISH (R), SAIL-INNER	F044-69-112A	1	BASE, SE, SPORT MANUAL DOOR MIRROR	
			F045-69-112A	1	'88 SPORT, GTU, GXL, CONV. ELEC. DOOR MIRROR	
69 111Y		GARNISH (L), SAIL-INNER	F044-69-172A	1	BASE, SE, SPORT MANUAL DOOR MIRROR	
			F045-69-172A	1	'88 SPORT, GTU, GXL, CONV. ELEC. DOOR MIRROR	
69 113C		LEVER, DOOR MIRROR	FB01-69-173	1	BASE, SE, SPORT MANUAL DOOR MIRROR	

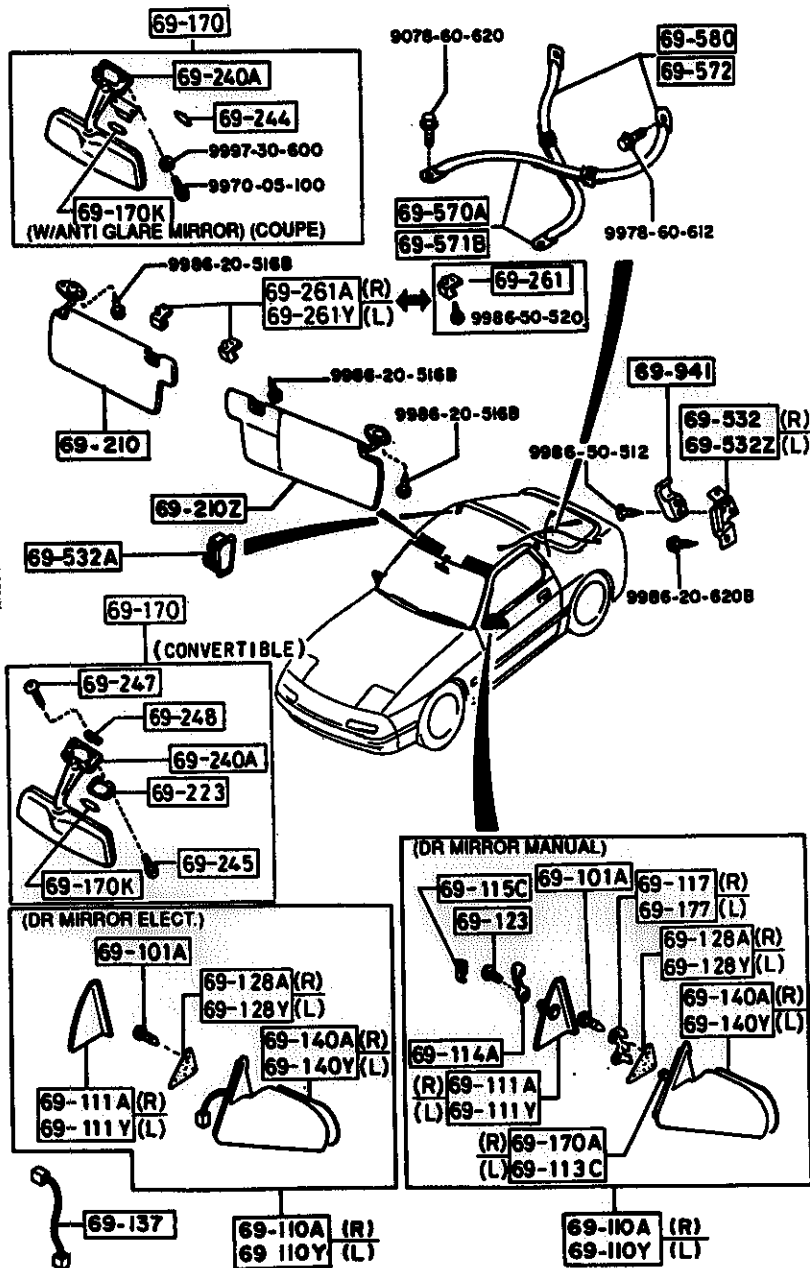
6501 FC33* -146093
7701 FC33* -550169

6900A-3 VISORS, ASSIST HANDLES & MIRRORS



ITEM NO.	D-CODE	DESCRIPTION	PART NO.	QTY	MODEL/DESCRIPTION	REMARKS
69 114A		KNOB 'A', DOOR MIRROR	B095-69-114	2	BASE, SE, SPORT MANUAL DOOR MIRROR	
69 115C		KNOB 'B', DOOR MIRROR	B095-69-115	2	BASE, SE, SPORT MANUAL DOOR MIRROR	
69 117		BRACKET (R), MIRROR	F044-69-124A	1	BASE, SE, SPORT MANUAL DOOR MIRROR	
69 123		SCREW, MIRROR	HA50-69-119		BASE, SE, SPORT MANUAL DOOR MIRROR	
69 128A		BOOT (R), DOOR MIRROR	FB01-69-128	1		
69 128Y		BOOT (L), DOOR MIRROR	FB01-69-188	1		
69 137		WIRE, REMOTE CONTROL MIRROR	F045-69-108A			
69 140A		GLASS (R), MIRROR	FB01-69-123	1	'87 SPORT, BASE, SE, GX1 MANUAL DOOR MIRROR ELEC. DOOR MIRROR-BLK	
			FB45-69-123	1	'88 SPORT, GTU, TURBO, CONV. ELEC. DOOR MIRROR-BODY COLOR	
69 140Y		GLASS (L), MIRROR	FB01-69-183	1	'87 SPORT, BASE, SE, GX1 MANUAL DOOR MIRROR ELEC. DOOR MIRROR-BLK	
			FB45-69-183	1	'88 SPORT, GTU, TURBO, CONV. ELEC. DOOR MIRROR-BODY COLOR	
69 170		MIRROR, INTERIOR	FB68-69-220B	1	CONV.	
		GRAY	07			
		BLUE	48			
		BLACK	00			
69 170A		STAY, INTERIOR	FB01-69-113	1	BASE, SE, SPORT MANUAL DOOR MIRROR	
69 170K		BULB, INTERIOR MIRROR	0000-11-3175	1	12V, 10W	
69 177		BRACKET (L), MIRROR	F044-69-184A	1	BASE, SE, SPORT MANUAL DOOR MIRROR	
69 210		SUN VISOR (R)	FB02-69-270A	1	W/ VANITY MIRROR, W/O SUNROOF	
		DARK GRAY	07			
		RED	10			
		BLUE	48			
		BLACK	02			
		DARK GRAY	07			
		RED	10			
			FB03-69-270A	1	W/ SUNROOF	

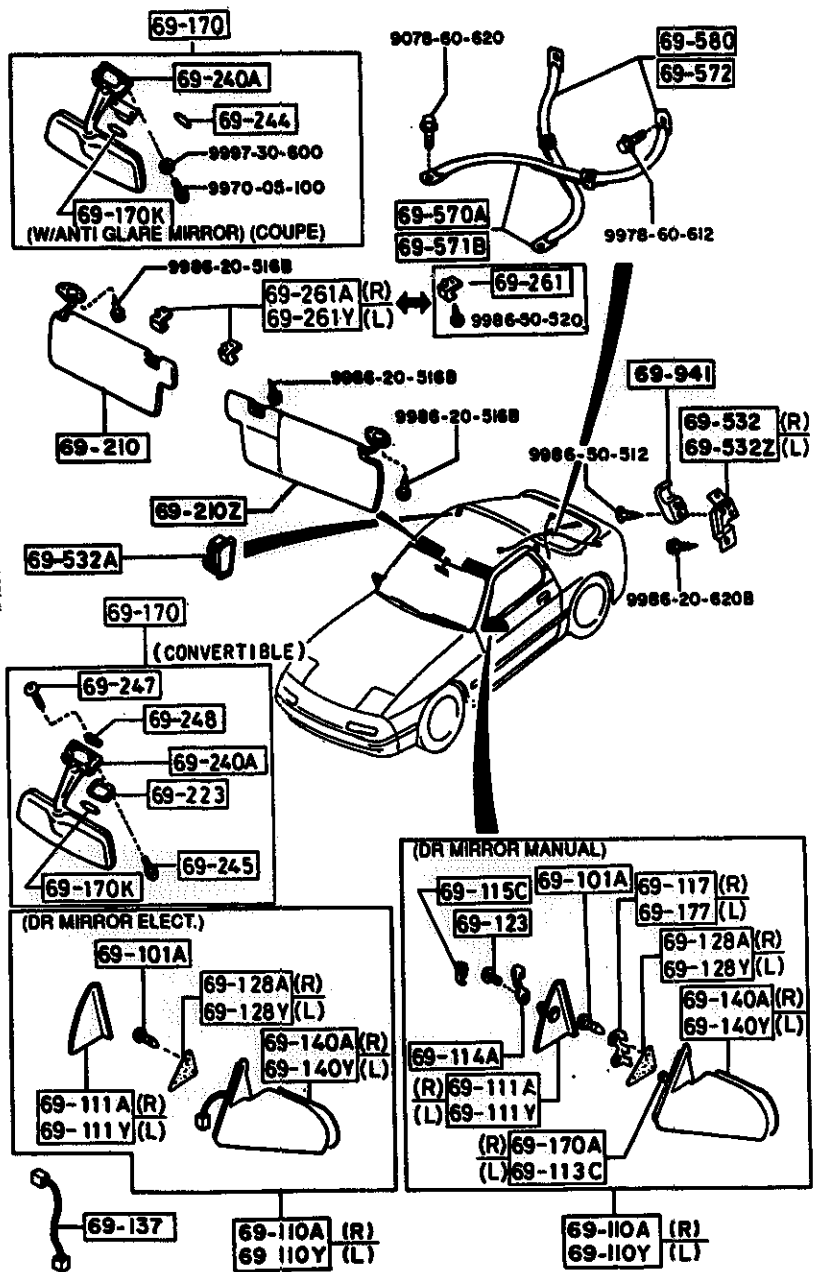
6900A-4 VISORS, ASSIST HANDLES & MIRRORS



ITEM NO.	D-CODE	DESCRIPTION	PART NO.	QTY	MODEL/DESCRIPTION	REMARKS
69 210 (CONT'D)		BLUE	48			
			FB67-69-270A	1	CONV.	
		DARK GRAY	07			
		BLUE	48			
69 210Z		SUN VISOR (L)	FB34-69-320B	1	W/O SUNROOF	
		DARK GRAY	07			
		RED	10			
		BLUE	48			
			FB33-69-320B	1	W/ SUNROOF	
		BLACK	02			
		DARK GRAY	07			
		RED	10			
		BLUE	48			
			FB67-69-320A	1	CONV.	
		DARK GRAY	07			
		BLUE	48			
69 223		LENS, INTERIOR LAMP	FB67-69-223	1	CONV.	
69 240A		BASE, INTERIOR MIRROR	FB67-69-240	1	CONV.	
		DARK GRAY	07			
		BLUE	48			
			FB10-69-240	1	COUPE	7501-
69 244		PIN, INTERIOR MIRROR	FB10-69-244	1	COUPE	7501-
69 245		SCREW, INTERIOR MIRROR	FB67-69-245	1	CONV.	
69 247		HOLDER, PIN	FB67-69-247	1	CONV.	
69 248		SPRING, INTERIOR MIRROR	FB67-69-248	1	CONV.	
69 261		ADAPTER, SUN VISOR	H260-69-261	2	CONV.	
		DARK GRAY	07			
		RED	10			
		BLUE	48			
69 261A		ADAPTER (R), CENTER-SUN VISOR	FB01-69-261	1	W/O SUNROOF	
		DARK GRAY	07			
		RED	10			
		BLUE	48			
			FB03-69-261	1	W/ SUNROOF	
		BLACK	02			
		DARK GRAY	07			
		RED	10			
		BLUE	48			
69 261Y		ADAPTER (L), CENTER-SUN VISOR	FB01-69-262	1	W/O SUNROOF	
		DARK GRAY	07			
		RED	10			

7501 FC33* -547831

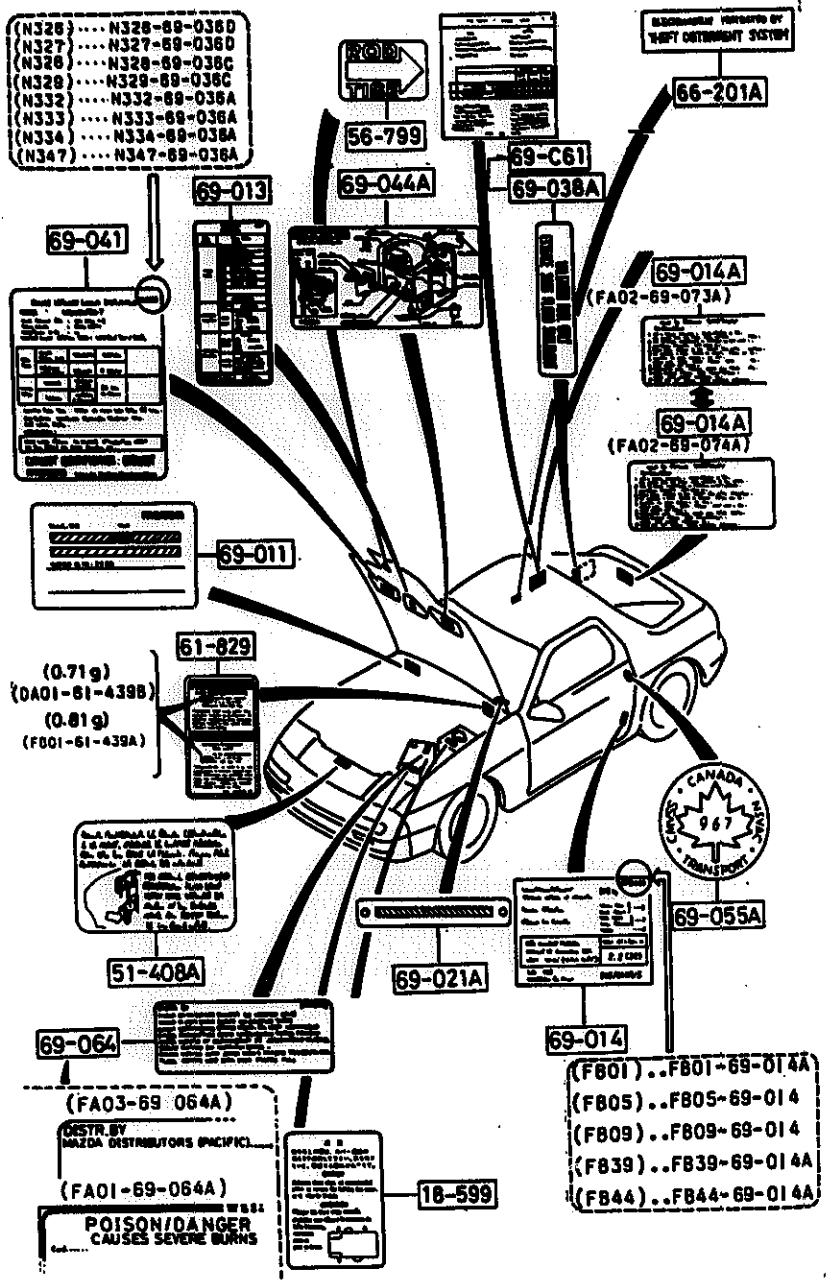
6900A-5 VISORS, ASSIST HANDLES & MIRRORS



ITEM NO.	D-CODE	DESCRIPTION	PART NO.	QTY	MODEL/DESCRIPTION	REMARKS
69 261Y (CONT'D)		BLUE	48			
		BLACK	FB03-69-262	1	W/ SUNROOF	
		DARK GRAY	02			
		RED	07			
		RED	10			
		BLUE	48			
69 532		BRACKET (R), COAT HANGER	FB01-69-532	1	COUPE	
69 532A		FASTENER, COAT HANGER	FB31-69-532	1	COUPE	
		BLACK	02			
		DARK GRAY	07			
		RED	10			
		BLUE	48			
69 532Z		BRACKET (L), COAT HANGER	FB01-69-542	1	COUPE	
69 570A		STRAP 'A', CARGO ROOM	FA54-69-571	2	COUPE	
		BLACK	00			
		DARK GRAY	07			
		RED	10			
		BLUE	48			
69 571B		STRAP 'A', L/COMPARTMENT	FB67-69-571	2	CONV.	
69 572		STRAP 'B', L/COMPARTMENT	FB67-69-572	2	CONV.	
69 580		STRAP 'B', CARGO ROOM	FA54-69-572	2	COUPE	
		BLACK	00			
		DARK GRAY	07			
		RED	10			
		BLUE	48			
69 941		HANGER, COAT	FB01-69-531	2		
		BLACK	02			
		DARK GRAY	07			
		RED	10			
		BLUE	48			

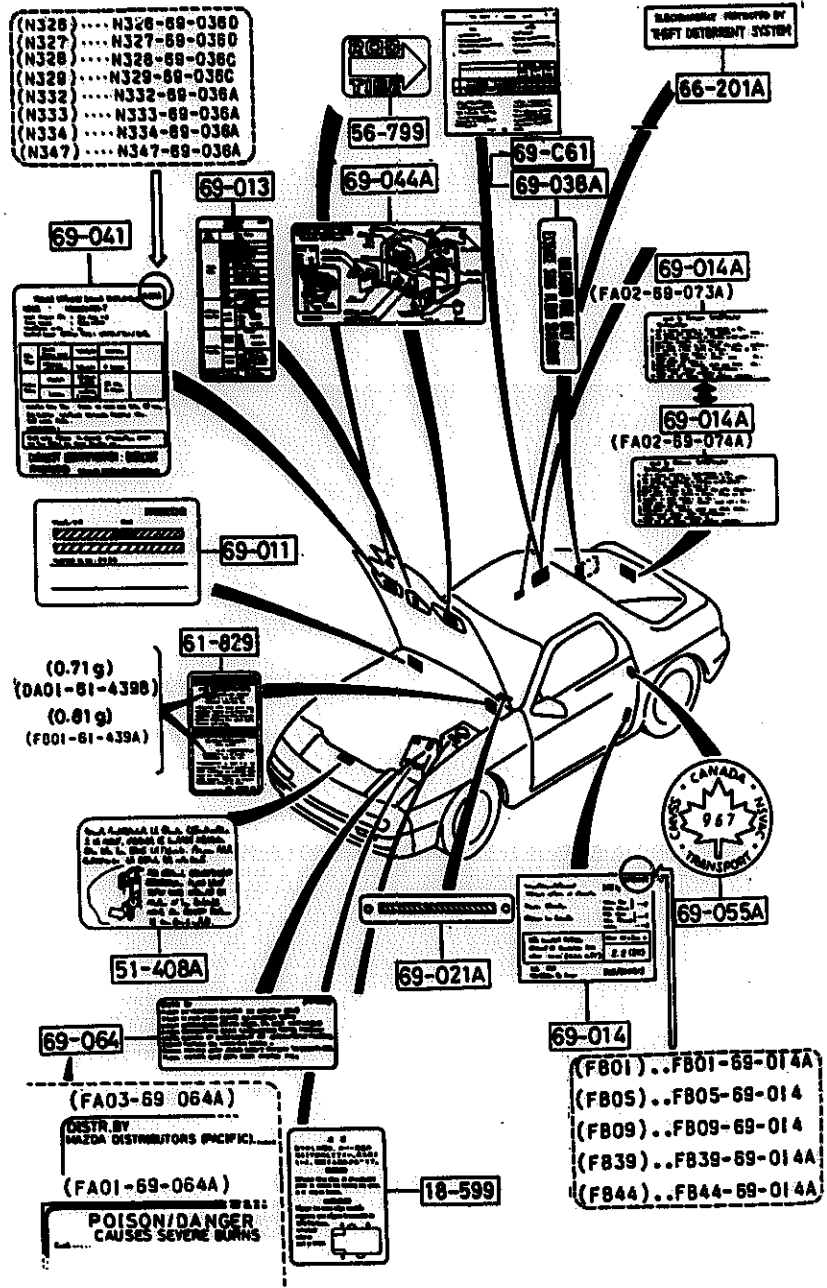
6930-1

CAUTION PLATES & LABELS



ITEM NO.	D-CODE	DESCRIPTION	PART NO.	QTY	MODEL/DESCRIPTION	REMARKS
18	599	LABEL, CAUTION-BATTERY BOX	FB34-51-408	1		8101-
51	408A	LABEL, CAUTION-RETRACTABLE	FB34-51-408	1		
56	799	LABEL, HOOD STAY	UB39-56-799	1		
61	829	LABEL, CAUTION	FB01-61-439B	1		7C01-
			DA01-61-439C	1		6625-6901
66	201A	LABEL, BURGLAR ALARM	FB01-66-201	1		-7701
69	011	PLATE, MODEL	B595-69-011B	1		
69	013	LABEL, OIL	FB01-69-D21A	1	COUPE	
			FB67-69-013	1	CONV.	
69	014	LABEL, TIRE	FB01-69-014A	1	2-SEATER	
				1	185/70 HR14, 185/70	
				1	R1487H	
			FB09-69-014	1	22	
				1	205/60 VR15	
			FB39-69-014A	1	22	
				1	185/70 HR14, 185/70	
				1	R1487H	
			FB44-69-014A	1	22	
				1	205/55 VR16	
			FB05-69-014A	1	205/60 VR15	
69	014A	LABEL, TEMPORARY TIRE	FA02-69-073A	1		
69	021A	PLATE, CAUTION	GA02-69-068	1		
69	038A	LABEL, GASOLINE	UB40-69-065	1		
69	041	LABEL, EMISSION	N326-69-036A	1	FED., W/O TURBO	-6701
			N326-69-036B	1	FED., W/O TURBO	6701-7701
			N326-69-036C	1	FED., W/O TURBO	7701-8122
			N326-69-036D	1	FED., W/O TURBO	8122-
			N327-69-036A	1	CAL., W/O TURBO	-6701
			N327-69-036B	1	CAL., W/O TURBO	6701-7701
			N327-69-036C	1	CAL., W/O TURBO	7701-8122
			N327-69-036D	1	CAL., W/O TURBO	8122-
			N332-69-036	1	FED., TURBO	-7701
			N332-69-036A	1	FED., TURBO	7701-
			N334-69-036	1	CAL., TURBO	-7701
			N334-69-036A	1	CAL., TURBO	7701-
69	044A	LABEL, VACUUM DIAPHRAGM	N326-69-044	1	CAL.	-6701
			N326-69-044A	1	CAL.	6701-7701
			N326-69-044B	1	CAL.	7701-
			N332-69-044	1	CAL.	-7701
			N332-69-044A	1	CAL.	7701-
69	055A	LABEL, SAFETY PANEL	FA11-69-066A	1		-8901
			FA11-69-C31	1		8901-
69	064	LABEL, BATTERY	FA01-69-064	1		-7A01
6625	FC33*	-157816	8101	FC33*	-619238	
6701	FC33*	-500010		FC351	-102445	
6901	FC33*	-512255	8122	FC33*	-619729	
7701	FC33*	-550169		FC351	-102623	
7A01	FC33*	-612356	8901	FC33*	-628938	
	FC351	-100963		FC351	-107782	
7C01	FC33*	-617286				
	FC351	-101890				

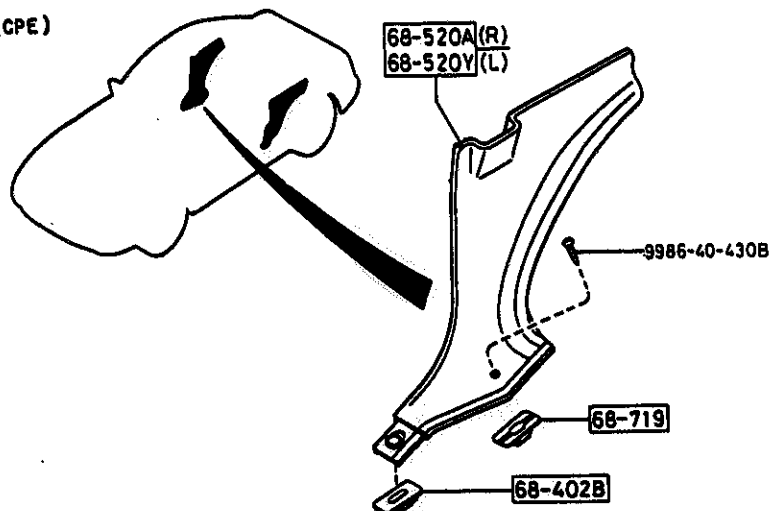
6930-2 CAUTION PLATES & LABELS



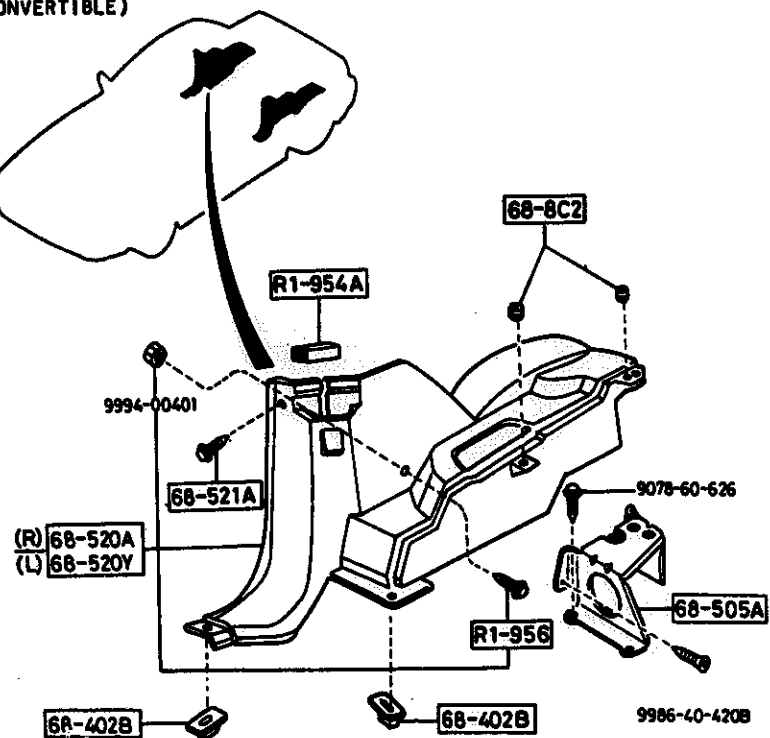
ITEM NO.	D-CODE	DESCRIPTION	PART NO.	QTY	MODEL/DESCRIPTION	REMARKS
69 064	(CONT'D)		FA01-69-064A	1		7A01-
			FA03-69-064A	1		-8A01
			FA01-69-064A	1		8A01-
69 C61		LABEL, UNLEADED FUEL	UB40-69-C61	1		8901-
7A01	FC33*	-612356				
	FC351	-100963				
8901	FC33*	-628938				
	FC351	-107782				
8A01	FC33*	-630636				
	FC351	-108247				

7250-1 QUARTER WINDOW & TRIMS

(CPE)



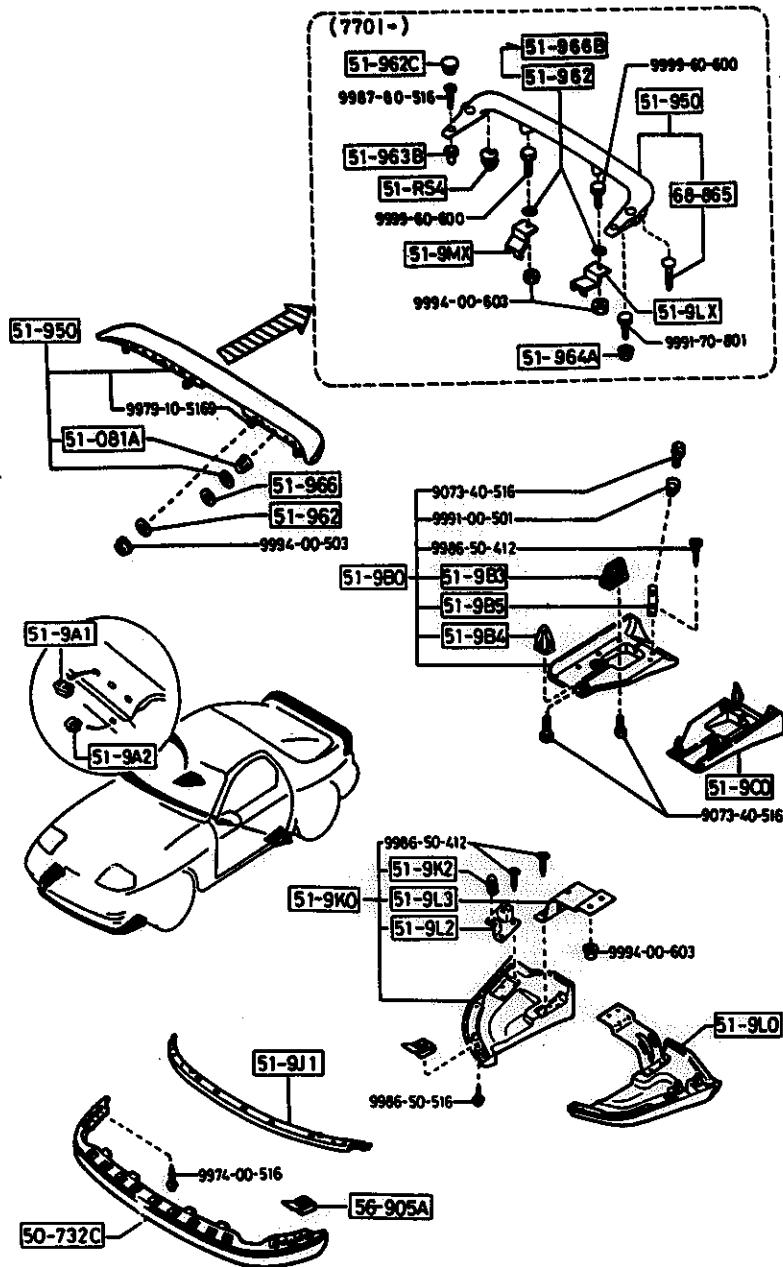
(CONVERTIBLE)



ITEM NO.	D-CODE	DESCRIPTION	PART NO.	QTY	MODEL/DESCRIPTION	REMARKS
68 402B		GROMMET, SCREW	FA54-68-719B	8	CONV.	
68 505A		BRACKET, QUARTER TRIM	FB67-68-505B	4	COUPE	
68 520A		TRIM (R), QUARTER	FB01-68-520A	1	COUPE	
		DARK GRAY	07			
		RED	10			
		BLUE	48			
		DARK GRAY/GRAY	FB67-68-520E	1	CONV.	
		BLUE	07			
		BLUE	48			
68 520Y		TRIM (L), QUARTER	FB01-68-550A	1	COUPE	
		DARK GRAY	07			
		RED	10			
		BLUE	48			
		DARK GRAY/GRAY	FB67-68-550E	1	CONV.	
		BLUE	07			
		BLUE	48			
68 521A		CLIP, QUARTER TRIM	FB67-68-523	2	CONV.	
68 719		GROMMET, SCREW	FB01-68-719	2	COUPE	
68 8C2		NUT, EXPANSION	FB67-68-8C2	4	CONV.	
R1 954A		HOOK, SCREW-QTR. TRIM	FB67-R1-954	2	CONV.	
R1 956		HOOK, SCREW-QTR. TRIM	FB67-R1-956A	2	CONV.	

7800-1

SPOILERS & RELATED PARTS

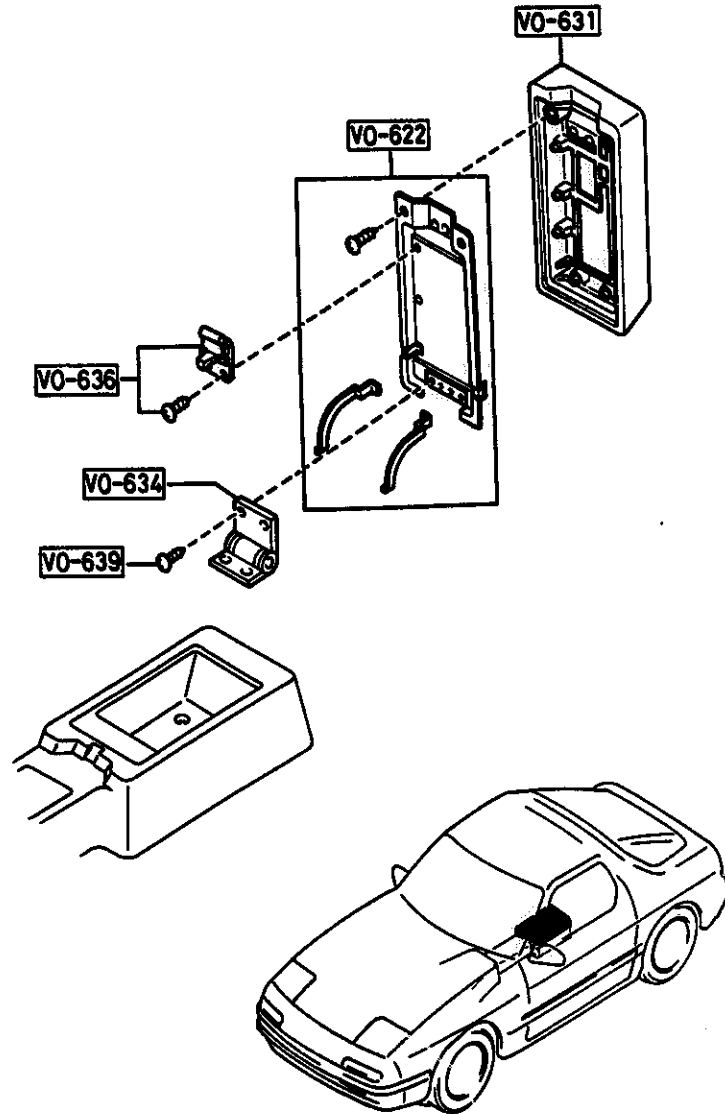


ITEM NO.	D-CODE	DESCRIPTION	PART NO.	QTY	MODEL/DESCRIPTION	REMARKS
50 732C		SKIRT, FRONT AIR DAM	FB01-50-732	1		
51 081A		FASTENER	FB01-51-963A	2		-5B01
51 950		SPOILER, REAR	FB01-51-960A	1	COUPE	-7701
			FB03-51-960	1	COUPE	7701-
		ARCTIC SILVER METALLIC	J5			
		BRILLIANT BLACK	PZ			
		SUNRISE RED	RH			
		NOBLE WHITE	WY			
51 962		GROMMET, SCREW	FB01-51-962	6	COUPE	-5B01
				4	COUPE	5B01-
51 962C		CAP, REAR SPOILER	FB03-51-962	2	COUPE	7701-
		ARCTIC SILVER METALLIC	J5			
		BRILLIANT BLACK	PZ			
		SUNRISE RED	RH			
		NOBLE WHITE	WY			
51 963B		GROMMET, SCREW-REAR SPOILER	FB02-51-963	2	COUPE	7701-
51 964A		NUT, CAP-REAR SPOILER	FB02-51-964	2	COUPE	7701-
51 966		PROTECTOR	FB01-51-966	4	COUPE	-7701
			FB01-51-966B	4	COUPE	7701-
51 9A1		PLUG 'A', BLIND-SIDE SPOILER	FB03-51-9A1	6	W/O AERO PARTS COUPE	
51 9A2		PLUG 'B', BLIND-SIDE SPOILER	FB03-51-9A2	2	W/O AERO PARTS COUPE	
51 980		SPOILER (R), SIDE	FB01-51-980A	1	COUPE	
51 983		GROMMET, SCREW-SIDE SPOILER 'C'	FB01-51-983	6	COUPE	
51 984		GROMMET, SCREW-SIDE SPOILER 'A'	FB01-51-984	2	COUPE	
51 985		GROMMET, SCREW-SIDE SPOILER 'B'	FB01-51-985	2	COUPE	
51 9C0		SPOILER (L), SIDE	FB01-51-9C0A	1	COUPE	
51 9J1		DAM (C), AIR-SKIRT	FB01-51-9J1A	1	COUPE	
51 9K0		SKIRT (R), FRONT AIR DAM	FB01-51-9K0A	1	COUPE	
51 9K2		FASTENER, AIR DAM-SKIRT	FB01-51-9K2	4	COUPE	
51 9L0		SKIRT (L), FRONT AIR DAM	FB01-51-9L0A	1	COUPE	
51 9L2		BRACKET 'A', AIR DAM	FB01-51-9L2	2	COUPE	
51 9L3		BRACKET 'B', AIR DAM	FB01-51-9L3	2	COUPE	
51 9LX		STIFFENER (L), REAR SPOILER	FB02-51-9LXB	1	COUPE	7701-
51 9MX		STIFFENER (R), REAR SPOILER	FB02-51-9MXB	1	COUPE	7701-
51 RS4		CLIP, REAR SPOILER	KA10-51-RS4	4	COUPE	7701-
56 905A		NUT, SPRING	W023-60-122	4		
68 865		FASTENER	G045-68-865	2	COUPE	7701-
		BLACK	00			

5B01 FC33* -113629
7701 FC33* -550169

7900-1

ACCESSORIES-CONSOLE LID



ITEM NO.	D-CODE	DESCRIPTION	PART NO.	QTY	MODEL/DESCRIPTION	REMARKS
VO 622		LID, INNER	FB01-VO-622	1		
VO 631		LID, OUTER	FB01-VO-631	1		
		RED	1F			
		BLUE	5F			
		GRAY	7F			
VO 634		HINGE	FB01-VO-634	1		
		RED	1F			
		BLUE	5F			
		GRAY	7F			
VO 636		PLATE, LOCK	FB01-VO-636	1		
VO 639		SCREW	FB01-VO-639	1		