

This file is available for free download at <http://www.iluvmyrx7.com>

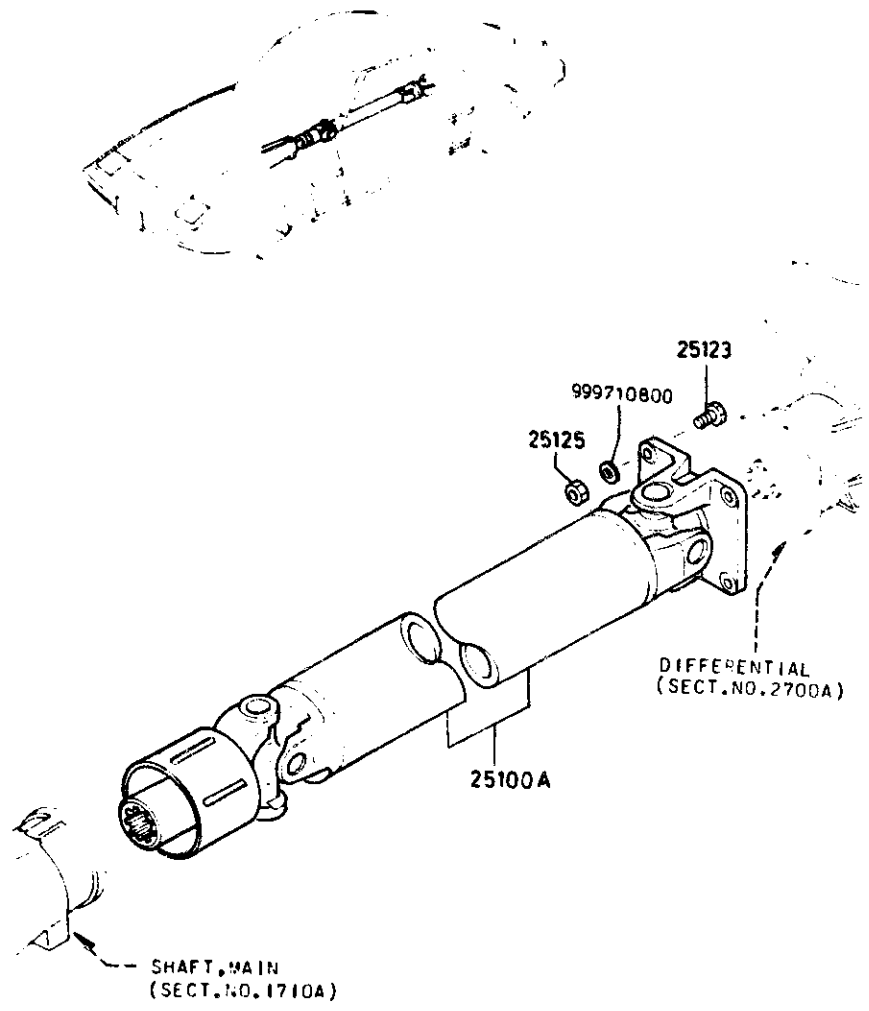


[www.iluvmyrx7.com](http://www.iluvmyrx7.com)

# SECTION INDEX -- CHASSIS

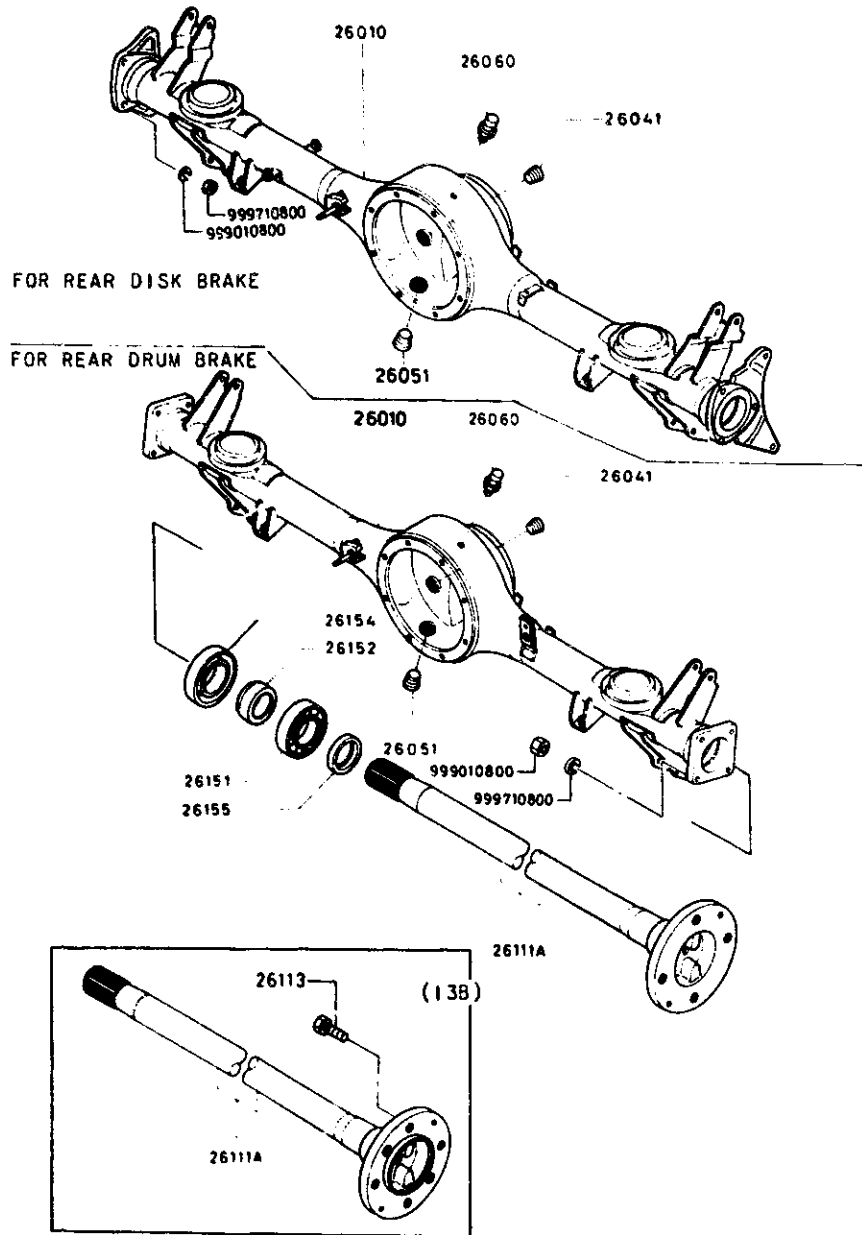
STARTING LOCATION	SECT. NO.	SECTION NAME	STARTING LOCATION	SECT. NO.	SECTION NAME	STARTING LOCATION	SECT. NO.	SECTION NAME
1 - C 9	2500A	PROPELLER SHAFT						
1 - D 9	2600A	REAR AXLE						
1 - E 9	2610A	REAR BRAKES (DRUM) (S. GS)						
1 - F 9	2610AA	REAR BRAKES (DISC) (GSL, GSL-SE)						
1 - G 9	2700A	DIFFERENTIAL (REAR DRUM BRAKES) (S. GS)						
1 - I 9	2700AA	DIFFERENTIAL (REAR DISC BRAKES) (GSL, GSL-SE)						
1 - K 9	2800A	REAR SUSPENSION						
1 - L 9	2810A	REAR STABILIZER						
1 - M 9	3200A	STEERING WHEEL						
1 - N 9	3210A	STEERING COLUMN & GEAR						
1 - C 10	3230A	STEERING LINKAGE						
1 - D 10	3240A	POWER STEERING SYSTEM						
1 - E 10	3300A	FRONT AXLE & BRAKES						
1 - F 10	3400A	FRONT SUSPENSION						
1 - G 10	3410A	CROSSMEMBER & STABILIZER						
1 - H 10	3700A	TIRE & JACK						
1 - K 10	3900A	ENGINE & TRANSMISSION MOUNTINGS						
1 - L 10	4000A	EXHAUST SYSTEM						
1 - N 10	4100A	CLUTCH RELEASE & MASTER CYLINDERS (M. T)						
1 - C 11	4160A	ACCELERATOR CONTROLS						
1 - D 11	4200A	FUEL TANK						
1 - E 11	4300A	CLUTCH & BRAKE PEDALS						
1 - F 11	4340A	BRAKE MASTER CYLINDER & POWER BRAKE (REAR DRUM BRAKES) (S. GS)						
1 - G 11	4340AA	BRAKE MASTER CYLINDER & POWER BRAKE (REAR DISK BRAKES) (GSL, GSL-SE)						
1 - H 11	4360A	BRAKE PIPING (REAR DRUM BRAKE) (S. GS)						
1 - I 11	4360AA	BRAKE PIPING (REAR DISC BRAKE) (GSL, GSL-SE)						
1 - J 11	4400A	PARKING BRAKE SYSTEM						
1 - L 11	4500A	FUEL PIPINGS						
1 - N 11	4600A	CHANGE CONTROLS (A. T)						

**2500A-1 · PROPELLER SHAFT**



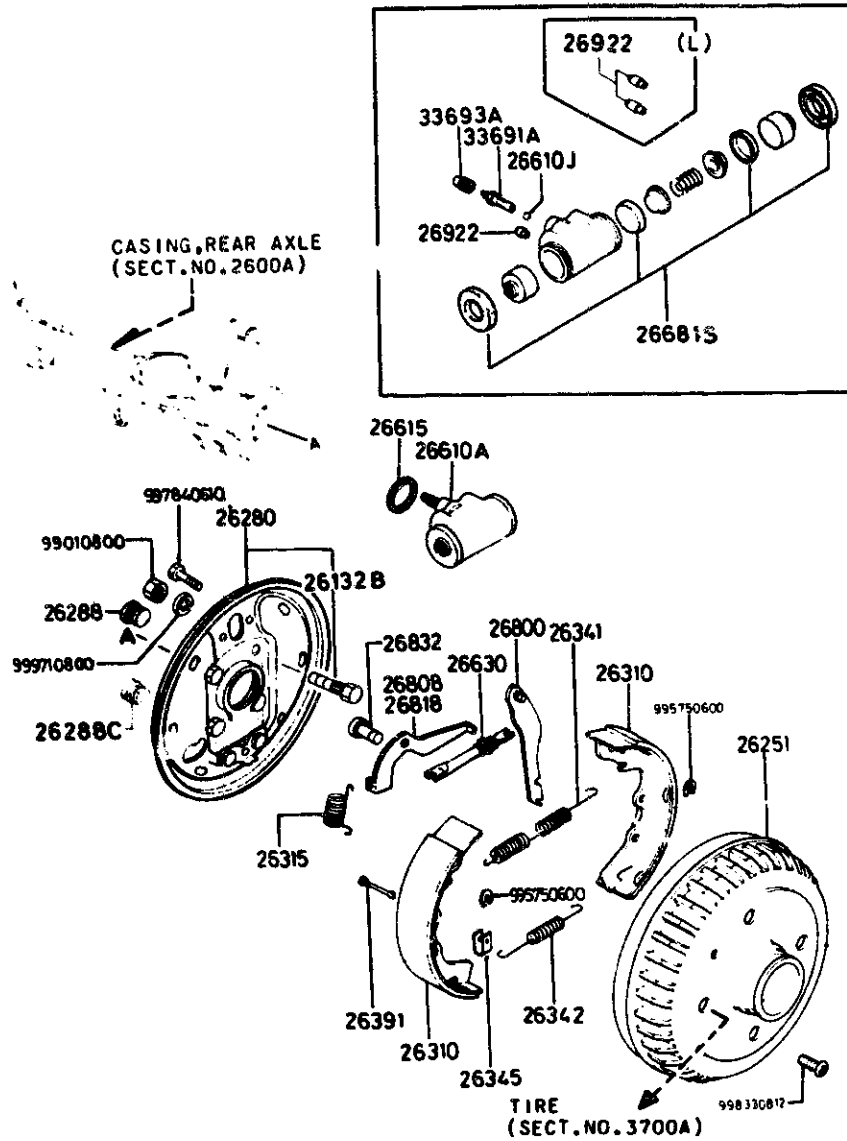
ITEM NO.	D-CODE	DESCRIPTION	PART NO.	QTY	MODEL/DESCRIPTION	REMARKS
25 100A		SHAFT, PROPELLER	M026-25-100	1	M T	
			M041-25-100	1	A T	
25 123		BOLT	1456-25-123	4		
25 125		NUT	1456-25-125	4		

**2600A-1 REAR AXLE**



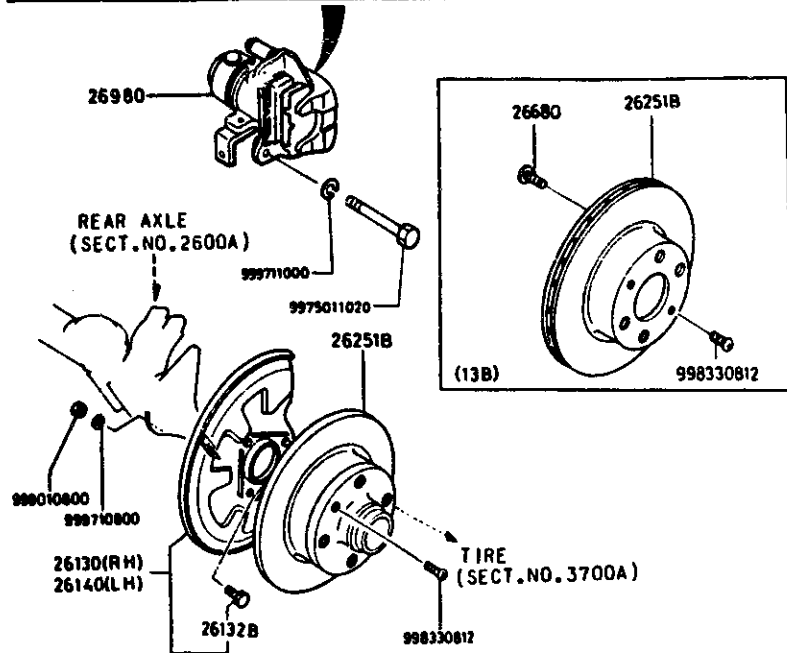
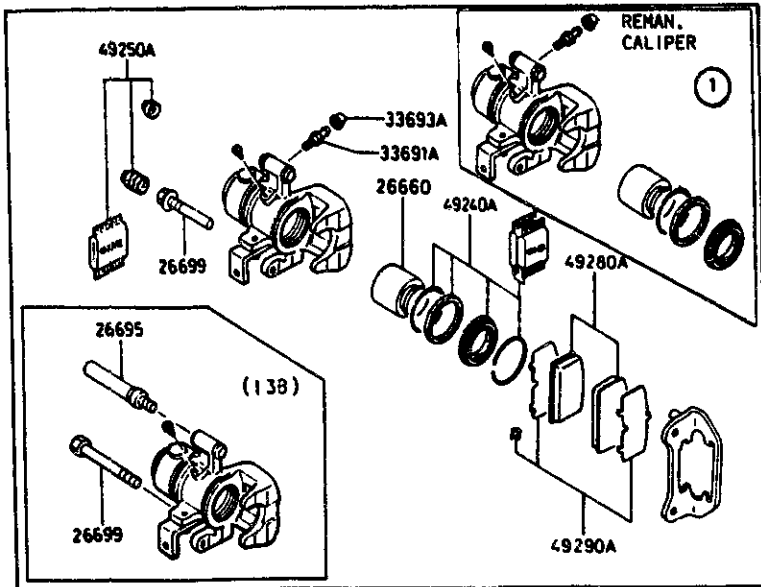
ITEM NO.	D-CODE	DESCRIPTION	PART NO.	QTY	MODEL/DESCRIPTION	REMARKS
26 010		CASING, REAR AXLE	FA54-26-020	1	(FOR REAR DRUM BRAKE) (S. GS)	
			FA58-26-020	1	(FOR REAR DISC BRAKE) (GSL, GSI-SE)	
26 041		PLUG, OIL LEVEL	0259-26-041A	1		
26 051		PLUG, MAGNET DRAIN	0259-26-051	1		
26 060		BREATHER	0866-26-060	1		
26 111A		SHAFT, REAR AXLE	FA54-26-111	2	12A (S. GS, GSI)	
			FA66-26-111	2	13B (GSI-SE)	
26 113		BOLT	8595-26-113	8	13B (GSI-SE)	
26 151		BEARING	8595-26-151	2		
26 152		COLLAR, BEARING	8545-26-152	2		
26 154		SEAL, OIL	1011-26-154	2		
26 155		SPACER, BEARING	FA66-26-155	2		

**2610A-1 REAR BRAKES  
(DRUM) (S. GS)**



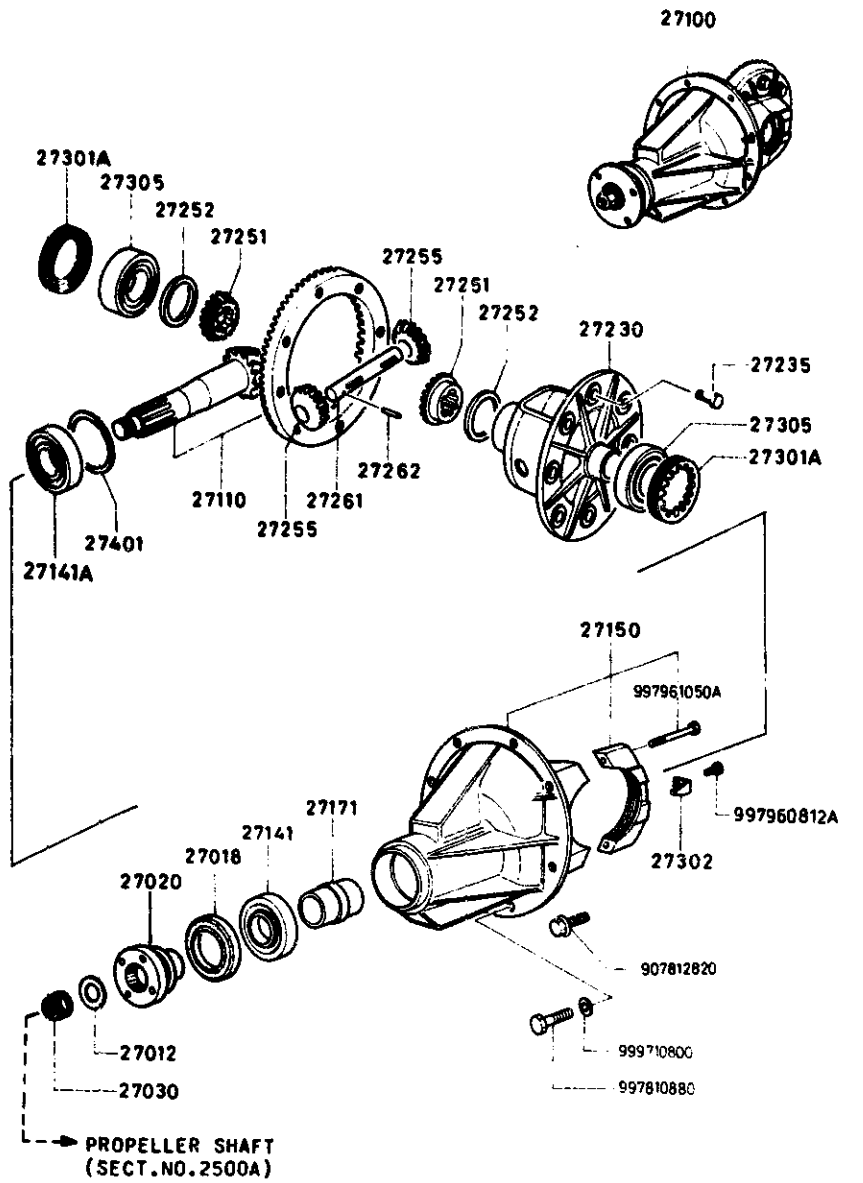
ITEM NO.	D-CODE	DESCRIPTION	PART NO.	QTY	MODEL/DESCRIPTION	REMARKS
26 132B		BOLT	3728-26-132	8		
26 251		DRUM, BRAKE	FA01-26-251	2		
26 280		PLATE (R), BRAKE BACK	FA54-26-280	1		
		PLATE (L), BRAKE BACK	FA54-26-290	1		
26 288		PLUG, BACK PLATE	0710-26-288	2		
26 288C		PLUG	3648-26-288	2		
26 310		BRAKE SHOE SET	FA01-26-38Z	1		
26 315		SPRINGS, BRAKE BACK	GA02-26-315	2		
26 341		SPRING, RETURN-UPPER	FA01-26-341	2		
26 342		SPRING, RETURN-LOWER	1011-26-342	2		
26 345		SPRING, BRAKE SHOE	FA01-26-345	4		
26 391		PIN, BRAKE SHOE	FA01-26-391	4		
26 610A		CYLINDER (R), WHEEL	FA01-26-610A	1		
		CYLINDER (L), WHEEL	FA01-26-710A	1		
26 610J		BALL, STEEL	9961-11-500	1		
26 615		GASKET, WHEEL CYLINDER	1175-26-615	2		
26 630		ADJUSTER (R)	FA01-26-630	1		
		ADJUSTER (L)	FA01-26-640	1		
26 681S		BOOT SET	BB62-89-334	1		
26 800		LEVER (R), OPERATING	FA01-26-800	1		
		LEVER (L), OPERATING	FA01-26-810	1		
26 808		LEVER (R), PAWL	FA01-26-808	1		
26 818		LEVER (L), PAWL	FA01-26-818	1		
26 832		PIN (R)	FA01-26-832	1		
		PIN (L)	GA02-26-832	1		
26 922		SHEET, TUBE	0613-26-922	3		
33 691A		SCREW, BLEEDER	0259-33-691	1		
33 693A		CAP, BLEEDER SCREW	0259-33-693	2		

**2610AA-1 REAR BRAKES  
(DISC) (GSL, GSL-SE)**



ITEM NO.	D-CODE	DESCRIPTION	PART NO.	QTY	MODEL/DESCRIPTION	REMARKS
1		CALIPER (R), REAR BRAKE	FA18-26-610R	1	12A (GSL) REBUILT	
1		CALIPER (L), REAR BRAKE	FA18-26-710R	1	12A (GSL) REBUILT	
26 130		COVER, DUST (R)	FA58-26-130	1	12A (GSL)	
			FA66-26-130	1	13B (GSL-SE)	
26 132B		BOLT	3728-26-132	6		
26 140		COVER, DUST (L)	FA58-26-140	1	12A (GSL)	
			FA66-26-140	1	13B (GSL-SE)	
26 251B		PLATE, DISC	FA18-26-251	2	12A (GSL)	
			FA66-26-251	2	13B (GSL-SE)	
26 660		PISTON	FA18-26-660A	2		
26 680		BOLT	FA18-26-680	2		
26 695		PIN, GUIDE	FA66-26-695	1	13B (GSL-SE)	
26 699		BOLT	FA18-26-699	1	12A (GSL)	
			FA66-26-99B	1	13B (GSL-SE)	
26 980		CALIPER (R), REAR BRAKE	FA18-26-980B	1	12A (GSL)	
			FA66-26-980	1	13B (GSL-SE)	
		CALIPER (L), REAR BRAKE	FA18-26-990B	1	12A (GSL)	
			FA66-26-990	1	13B (GSL-SE)	
33 691A		SCREW, BLEEDER	0233-33-691	1		
33 693A		CAP, BLEEDER SCREW	0259-33-693	2		
49 240A		SEAL KIT	FA18-49-240	1	12A (GSL)	
			FA67-49-240	1	13B (GSL-SE)	
49 250A		BOOT KIT	FA18-49-250	1	12A (GSL)	
49 280A		PAD SUB SET, REAR	FA18-49-280A	1	12A (GSL)	
			FA67-49-280	1	13B (GSL-SE)	
49 290A		ATTACHMENT-PAD	FA18-49-290	1	12A (GSL)	
			FA67-49-290A	1	13B (GSL-SE)	

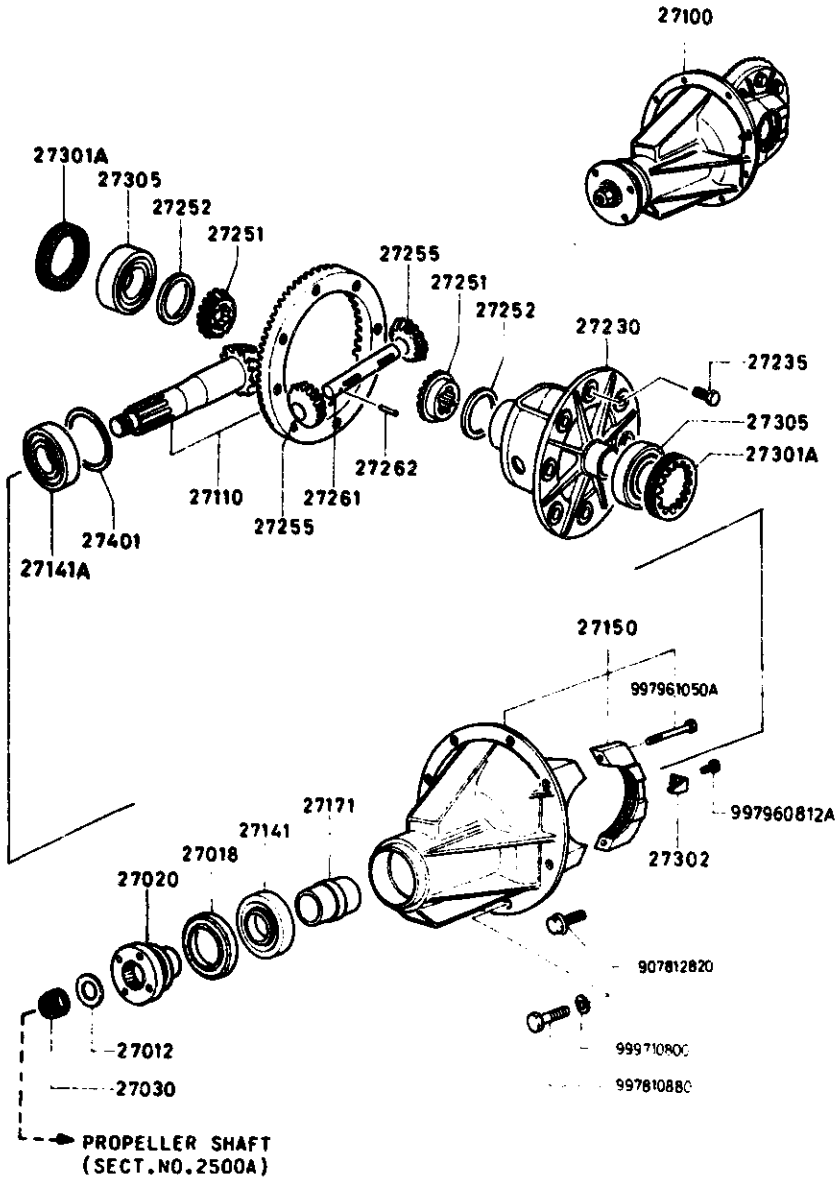
**2700A-1 DIFFERENTIAL  
(REAR DRUM BRAKES) (S, GS)**



SEE PARTS BULLETIN FOR MORE DIFFERENTIAL INFO.  
MMAC N/A  
MMAE V/26

ITEM NO.	D-CODE	DESCRIPTION	PART NO.	QTY	MODEL/DESCRIPTION	REMARKS
27 012		WASHER	0223-27-012	1		
27 018		SEAL OIL	M005-27-165	1		
27 020		FLANGE, COMPANION	M005-27-120A	1		
27 030		NUT, LOCK	0223-27-030	1		
27 100		DRIVE & DIFFERENTIAL	M062-27-100	1		
27 110		GEAR SET, FINAL	M050-27-110C	1	(RATIO=3.933) THRU APR. '84 PROD.	FB33* ..800001-831595
			8051-27-110D	1	(RATIO=3.909) FROM MAY '84 PROD.	FB33* ..831596-
27 141		BEARING, PINION-FRONT	0755-27-210	1		
27 141A		BEARING, PINION-REAR	0221-27-210	1		
27 150		CARRIER, DIFFERENTIAL	0820-27-150C	1	THRU JAN. '85 PROD.	FB33* ..800001-884108
			0820-27-150D	1	FROM FEB. '85 PROD.	FB33* ..884109-
27 171		PIECE, DISTANCE	0305-27-171	1		
27 230		CASE	M024-27-231	1		
27 235		BOLT, RING GEAR	8051-27-235	10	(D=10.0)	
			8051-27-236	10	(D=10.2)	
27 251		GEAR, DIFF. SIDE	M035-27-251A	2		
27 252		WASHER	0290-27-252	2	(T=2.0)	
			0290-27-253	2	(T=2.1)	
			0290-27-254	2	(T=2.2)	
			0290-27-256	2	(T=2.05)	
			0290-27-259	2	(T=2.15)	
27 255		PINION, DIFFERENTIAL	M025-27-255B	2		
27 261		SHAFT, DIFF. PINION	M025-27-261A	1		
27 262		PIN	0114-27-262	1		
27 301A		SCREW, ADJUST	0290-27-301	2		
27 302		PLATE, LOCK	0290-27-302	2		
27 305		BEARING	0221-27-350	2		
27 401		SPACER	0223-27-401A	1	(T=3.08)	
			0223-27-402A	1	(T=3.11)	
			0223-27-403A	1	(T=3.14)	
			0223-27-404A	1	(T=3.17)	
			0223-27-405A	1	(T=3.20)	
			0223-27-406A	1	(T=3.23)	
			0223-27-407A	1	(T=3.26)	
			0223-27-408A	1	(T=3.29)	
			0223-27-409A	1	(T=3.32)	
			0223-27-411A	1	(T=3.35)	
			0223-27-412A	1	(T=3.38)	
			0223-27-413A	1	(T=3.41)	

**2700A-2 DIFFERENTIAL  
(REAR DRUM BRAKES) (S, GS)**

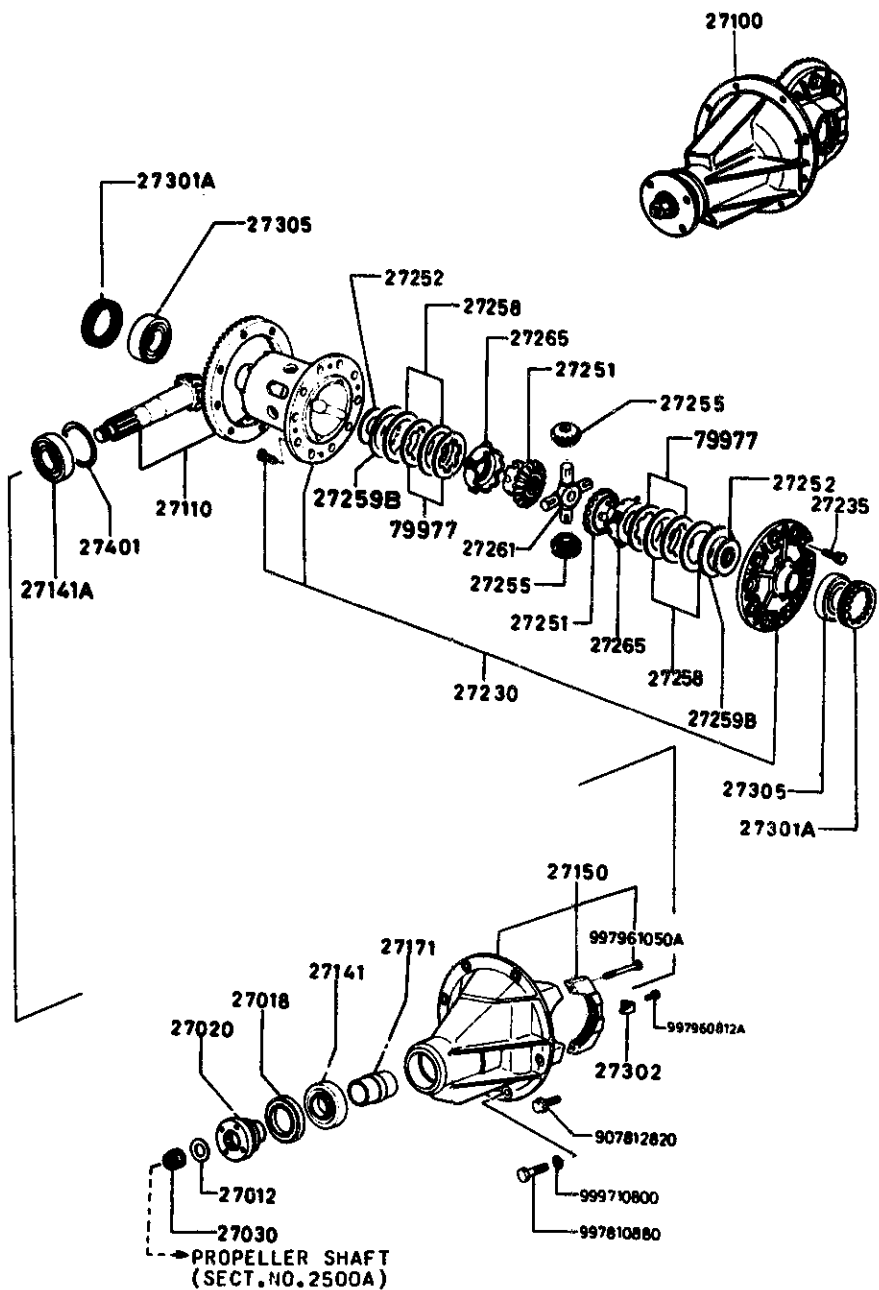


SEE PARTS BULLETIN FOR MORE DIFFERENTIAL INFO.  
MMAC N/A  
MMAE V/26

ITEM NO.	D-CODE	DESCRIPTION	PART NO.	QTY	MODEL/DESCRIPTION	REMARKS
	27 401 (CONT'D)		0223-27-414A	1	(T=3.44)	
			0223-27-415A	1	(T=3.47)	

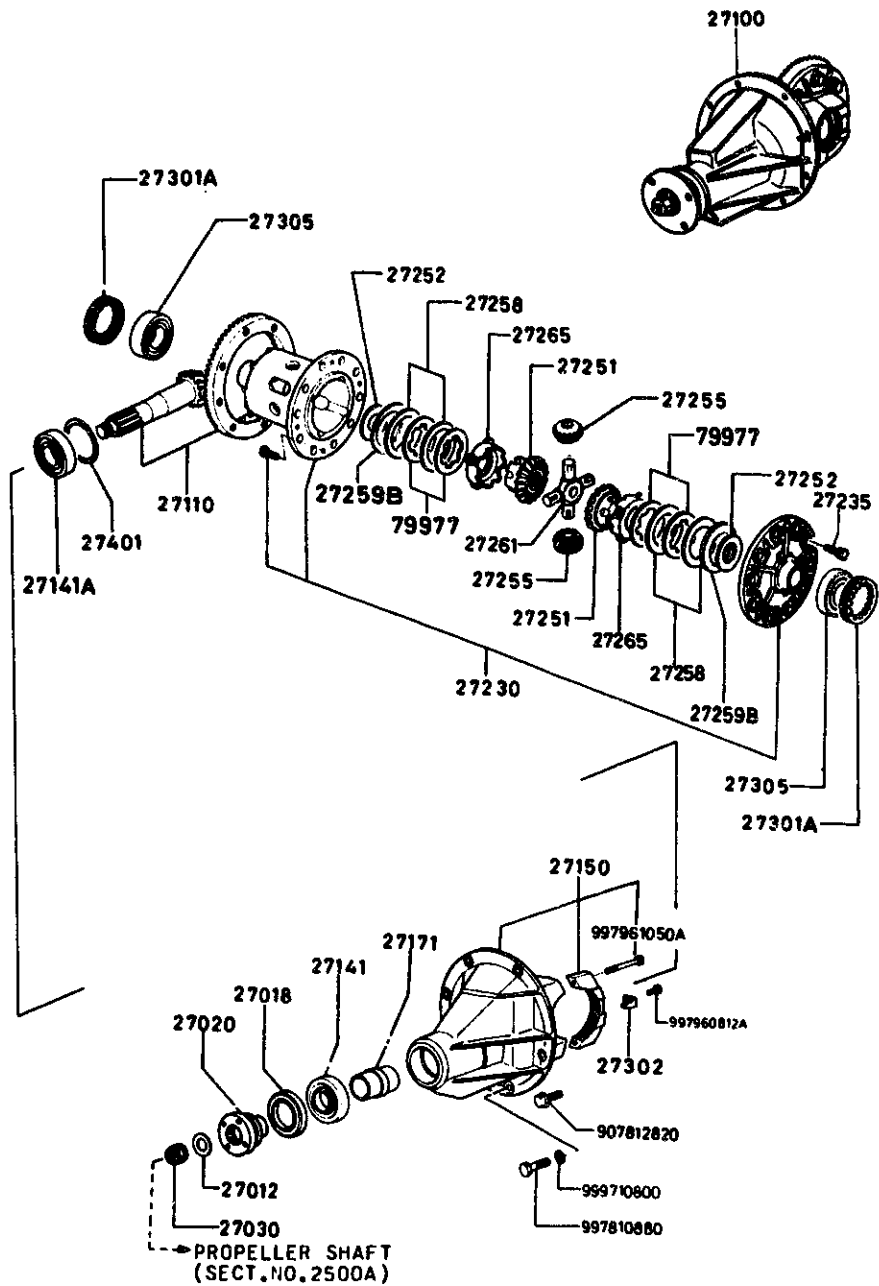


**2700AA-1 DIFFERENTIAL  
(REAR DISC BRAKES) (GSL, GSL-SE)**



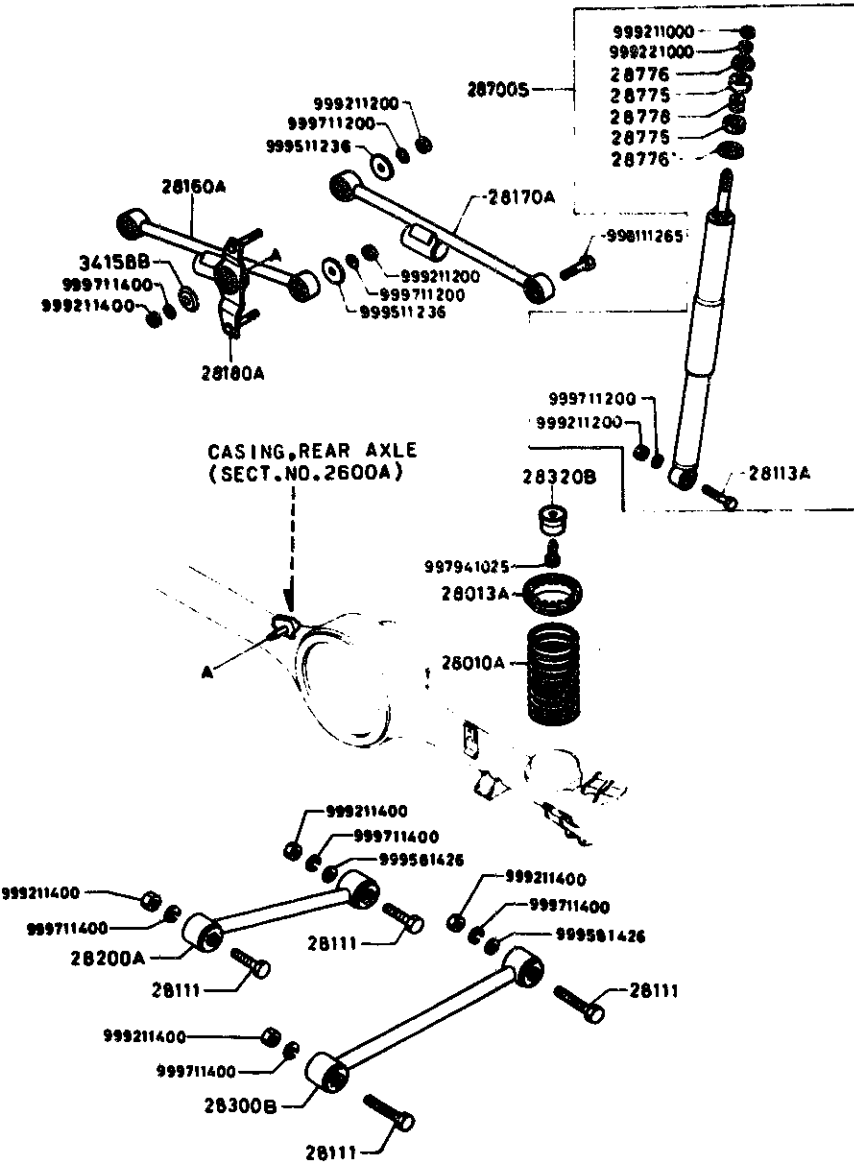
ITEM NO.	D-CODE	DESCRIPTION	PART NO.	QTY	MODEL/DESCRIPTION	REMARKS
27 012		WASHER	0223-27-012	1		
27 018		SEAL, OIL	M005-27-165	1		
27 020		FLANGE, COMPANION	M005-27-120D	1		
27 030		NUT, LOCK	0223-27-030	1		
27 100		DRIVE & DIFFERENTIAL	M098-27-100	1	12A (GSL)	
			M090-27-100B	1	13B (GSL-SE) THRU NOV. '84 PROD.	FB33* ..800001-873902
			<A> M090-27-100C	1	13B (GSL-SE) FROM DEC. '84 PROD.	FB33* ..873903-
27 110		GEAR SET, FINAL	M050-27-110C	1	12A (GSL) (RATIO=3.933) THRU APR. '84 PROD.	FB33* ..800001-831595
			8051-27-110D	1	12A (GSL) (RATIO=3.909) FROM MAY '84 PROD.	FB33* ..831596-
			M090-27-110A	1	13B (GSL-SE) (RATIO=4. 076) THRU NOV. '84 PROD.	FB33* ..800001-873902
			M037-27-110B	1	13B (GSL-SE) (RATIO=3. 909) FROM DEC. '84 PROD.	FB33* ..873903-
27 141		BEARING, PINION-FRONT	0755-27-210	1		
27 141A		BEARING, PINION-REAR	0221-27-210	1		
27 150		CARRIER, DIFFERENTIAL	0820-27-150C	1	THRU DEC. '84 PROD.	FB33* ..800001-884108
			0820-27-150D	1	FROM JAN. '85 PROD.	FB33* ..884109-
27 171		PIECE, DISTANCE	0305-27-171	1		
27 230		CASE	M020-27-230	1		
27 235		BOLT, RING GEAR	8051-27-235	10	(D=10.0)	
			8051-27-236	10	(D=10.2)	
27 251		GEAR, DIFF. SIDE	M050-27-251	2		
27 252		WASHER	M020-27-252	2	(T=1.60)	
			M020-27-253	2	(T=1.80)	
27 255		PINION, DIFFERENTIAL	M020-27-255	4		
27 258		PLATE, FRICTION	M020-27-258	4		
27 259B		SPRING, CONICAL	M020-27-259	2		
27 261		SHAFT, DIFF. PINION	M020-27-261	1		
27 265		RING, PRESSURE	M020-27-265	2		
27 301A		SCREW, ADJUST	0290-27-301	2		
27 302		PLATE, LOCK	0290-27-302	2		
27 305		BEARING	0221-27-350	2		
27 401		SPACER	0223-27-401A	1	(T=3.08)	
			0223-27-402A	1	(T=3.11)	
			0223-27-403A	1	(T=3.14)	
			0223-27-404A	1	(T=3.17)	
			0223-27-405A	1	(T=3.20)	

**2700AA-2 DIFFERENTIAL  
(REAR DISC BRAKES) (GSL, GSL-SE)**



ITEM NO.	D-CODE	DESCRIPTION	PART NO.	QTY	MODEL/DESCRIPTION	REMARKS
27 401 (CONT'D)			0223-27-406A	1	(T=3.23)	
			0223-27-407A	1	(T=3.26)	
			0223-27-408A	1	(T=3.29)	
			0223-27-409A	1	(T=3.32)	
			0223-27-411A	1	(T=3.35)	
			0223-27-412A	1	(T=3.38)	
			0223-27-413A	1	(T=3.41)	
			0223-27-414A	1	(T=3.44)	
			0223-27-415A	1	(T=3.47)	
79 977	DISC. FRICTION		M020-27-256	4	(T=2.00)	
			M020-27-257	4	(T=2.10)	

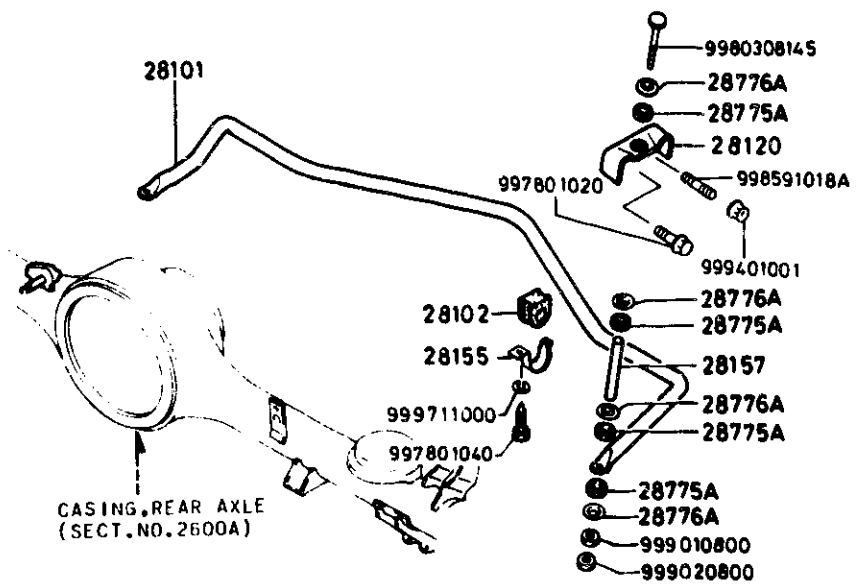
**2800A-1 REAR SUSPENSION**



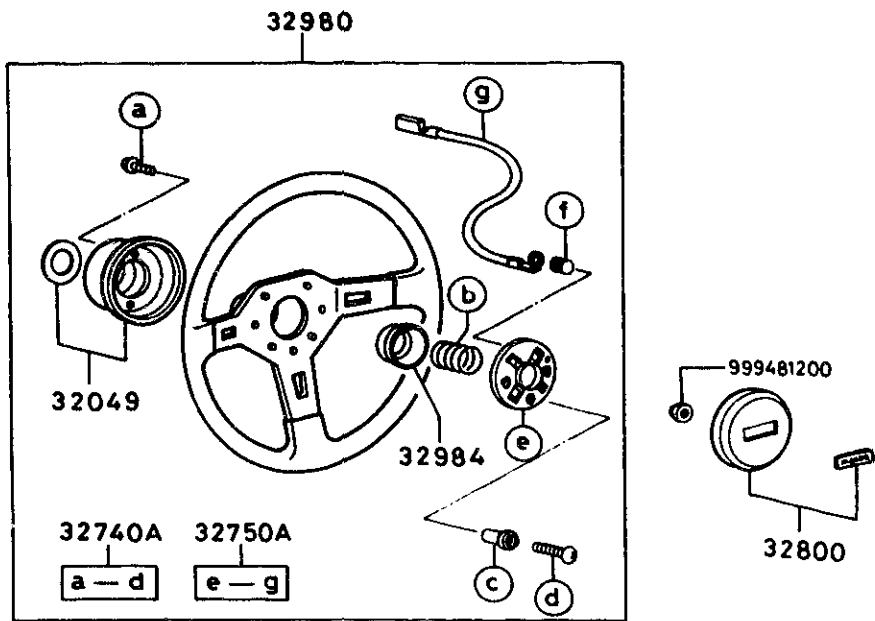
ITEM NO.	D-CODE	DESCRIPTION	PART NO.	QTY	MODEL/DESCRIPTION	REMARKS
28 010A		SPRING, COIL	FA24-28-011	2		
28 013A		SHEET, RUBBER	8871-28-013C	2		
28 111		BOLT	0305-28-111B	8		
28 113A		BOLT	1243-28-111	2		
28 160A		LINK (R), WATT	8871-28-160	1		
28 170A		LINK (L), WATT	8871-28-170	1		
28 180A		BRACKET, WATT LINK	8871-28-180	1		
28 200A		LINK	8871-28-200	2		
28 300B		LINK, LOWER	8871-28-300A	2		
28 320B		STOPPER, BUMP	8871-28-320	2	12A (S. GS. GSU)	
			FA66-28-320A	1	13B (GSL-SE)	
28 700S		DAMPER SET, REAR	FA01-99-281A	2	12A (S. GS. GSU)	
			FA24-99-281	2	13B (GSL-SE)	
28 775		BUSHING, RUBBER	8871-28-775	4		
28 776		RETAINER	0223-28-776	4		
28 778		GROMMET	0259-28-778	2		
34 158B		WASHER	0866-34-158	1		

**2810A-1 REAR STABILIZER**

ITEM NO.	D-CODE	DESCRIPTION	PART NO	QTY	MODEL/DESCRIPTION	REMARKS
28 101		STABILIZER	FA01-28-151	1	(D=15MM)	
				1	(D=17MM)	
28 102		BUSHING, RUBBER	FA01-28-156	2	(FOR D=15MM S' AG.)	
			8871-28-156	2	(FOR D=17MM S' AP.)	
28 120		BRACKET, CONTROL LINK	FA01-28-120B	2		
28 155		BRACKET, STAB. SUPPORT	FA01-28-155	2		
28 157		SPACER, STAB.	8871-28-157	2		
28 775A		BUSHING, RUBBER - STAB.	0710-28-775	8		
28 776A		RETAINER, STAB.	0710-28-776	8		

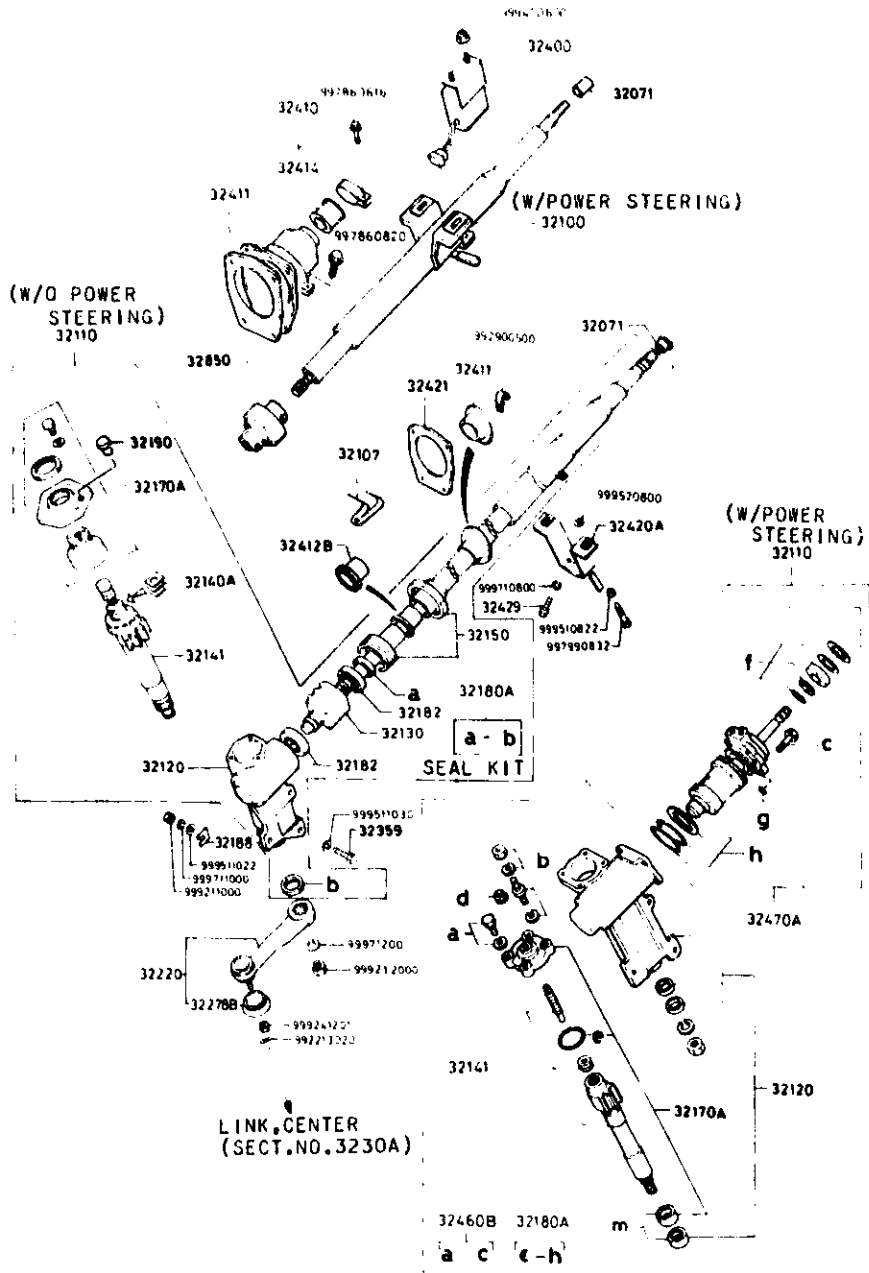


**3200A-1 STEERING WHEEL**



ITEM NO.	D-CODE	DESCRIPTION	PART NO	QTY	MODEL/DESCRIPTION	REMARKS
32 049		COVER, WHEEL CORE	FA54-32-760	1		
		RED	10			
		OFF BLACK	65			
		BROWN	78			
32 740A		SET-SCREW	FA54-32-740	1		
32 750A		SET-HORN	8871-32-750	1		
32 800		CAP, HORN	FA54-32-800A	1		
		RED	10			
		OFF BLACK	65			
		BROWN	78			
32 980		BOSS, STEERING WHEEL	FA54-32-980	1	(URETHANE)	
		RED	10			
		OFF BLACK	65			
		BROWN	78			
			FA55-32-980A	1	(LEATHER)	
		RED	12			
		OFF BLACK	65			
		BROWN	78			
32 984		SET-CUP	8871-32-984	1		

# 3210A-1 STEERING COLUMN & GEAR

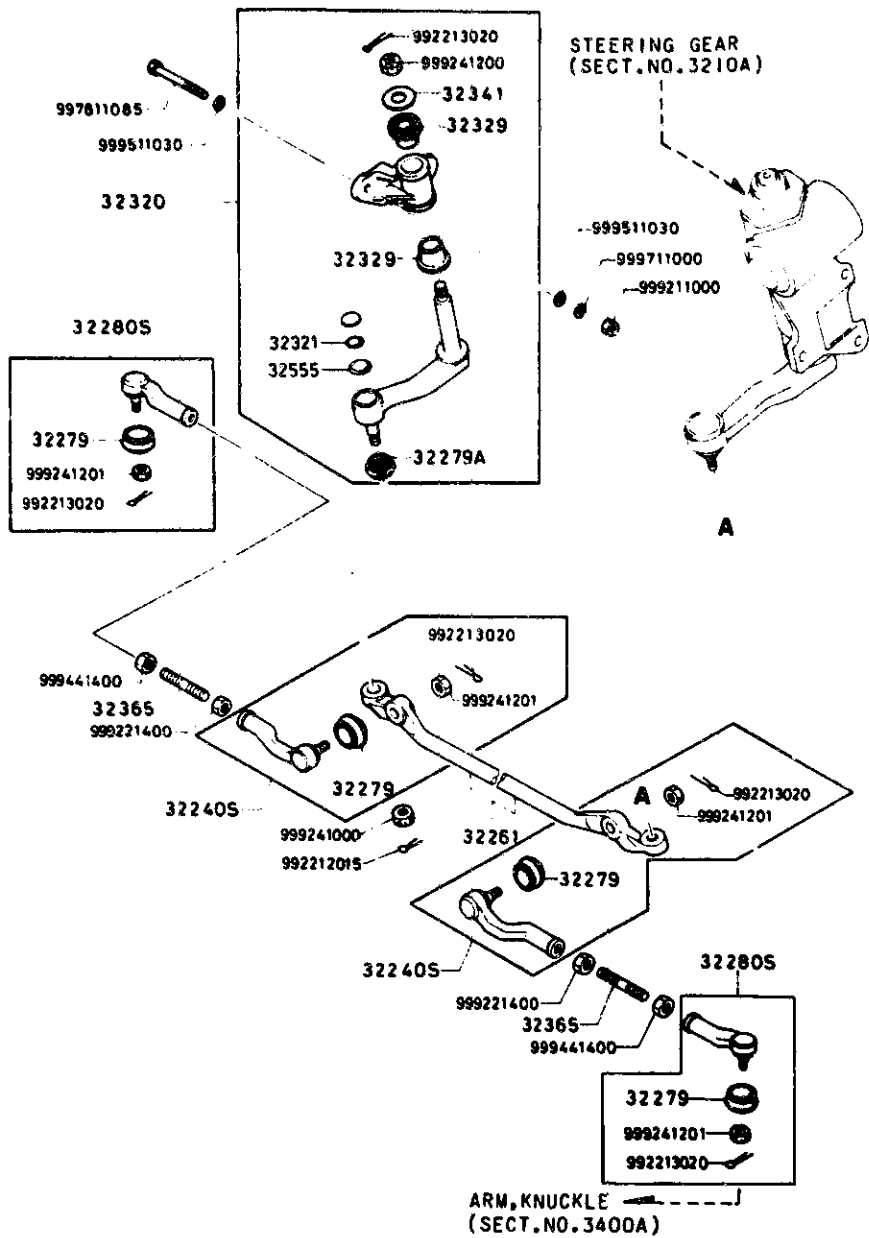


ITEM NO.	D-CODE	DESCRIPTION	PART NO.	QTY.	MODEL/DESCRIPTION	REMARKS
32 071		BUSHING	8001-32-071	1	(W P S)	
			8182-32-071A	1	(W O P S)	
32 100		SHAFT, ENGY. ABSORBER	FA55-32-100C	1		
32 107		CLIP	8871-32-862	1	(W O P S)	
32 110		GEAR, STEERING	FA54-32-110	1	(W O P S)	
			FA55-32-110	1	(W P S)	
32 120		HOUSING, GEAR	FA24-32-120	1	(W O P S)	
			FA55-32-120	1	(W P S)	
32 130		BALL NUT, WORM	FA24-32-130	1	(W O P S)	
32 140A		SHIM KIT, ADJUST	8180-32-140	1	(W O P S)	
32 141		SHAFT, SECTOR	FA24-32-141A	1	(W O P S)	
			FA55-32-140	1	(W P S)	
32 150		COVER KIT, END	FA24-32-150	1	(W O P S)	
32 170A		COVER KIT, SIDE	FA24-32-170	1	(W O P S)	
			FA55-32-160	1	(W P S)	
32 180A		SEAL KIT	FA55-32-180	1	(W P S)	
			8871-32-180	1	(W O P S)	
32 182		BEARING	8871-32-182	2	(W O P S)	
32 188		SHIM, ADJUST	0208-32-188	2		
32 190		PLUG, OIL	0820-32-190	1	(W O P S)	
32 220		ARM, PITMAN	1757-32-220	1		
32 278B		SEAL, DUST-PITMAN	8545-32-278	1		
32 359		BOLT, GEAR HOUSING	8173-32-359	3		
32 400		CONTROLLER	FA55-32-400C	1	(W P S)	
32 410		PLATE	FA55-32-410B	1	(W P S)	
32 411		COVER, DUST	FA55-32-411	1	(W P S)	
			8871-32-411	1	(W O P S)	
32 412B		BUSHING	8871-32-412	1	(W P S)	
32 414		BUSHING	1011-32-414A	1	(W P S)	
32 420A		BRACKET, FIXING	FA24-32-420	1	(W O P S)	
32 421		PLATE, SET	FA54-32-421	1	(W O P S)	
32 429		BOLT	8871-32-429A	4	(W O P S)	
32 460B		BOLT SET	FA55-32-190	1	(W P S)	
32 470A		VALVE & PISTON	FA55-32-470	1	(W P S)	
32 850		JOINT, STEERING	0187-32-850D	1	(W P S)	FB33* 800001-835855
			FA55-32-850A	1	THRU MAY '84 PROD	
				1	FROM JUN '84 PROD	FB33* 835854-

# SECTION INDEX -- CHASSIS

STARTING LOCATION	SECT. NO.	SECTION NAME	STARTING LOCATION	SECT. NO.	SECTION NAME	STARTING LOCATION	SECT. NO.	SECTION NAME
1 - C 9	2500A	PROPELLER SHAFT						
1 - D 9	2600A	REAR AXLE						
1 - E 9	2610A	REAR BRAKES (DRUM) (S. GS)						
1 - F 9	2610AA	REAR BRAKES (DISC) (GSL, GSL-SE)						
1 - G 9	2700A	DIFFERENTIAL (REAR DRUM BRAKES) (S. GS)						
1 - I 9	2700AA	DIFFERENTIAL (REAR DISC BRAKES) (GSL, GSL-SE)						
1 - K 9	2800A	REAR SUSPENSION						
1 - L 9	2810A	REAR STABILIZER						
1 - M 9	3200A	STEERING WHEEL						
1 - N 9	3210A	STEERING COLUMN & GEAR						
1 - C10	3236A	STEERING LINKAGE						
1 - D10	3240A	POWER STEERING SYSTEM						
1 - E10	3300A	FRONT AXLE & BRAKES						
1 - F10	3400A	FRONT SUSPENSION						
1 - G10	3410A	CROSSMEMBER & STABILIZER						
1 - H10	3700A	TIRE & JACK						
1 - K10	3900A	ENGINE & TRANSMISSION MOUNTINGS						
1 - L10	4000A	EXHAUST SYSTEM						
1 - N10	4140A	CLUTCH RELEASE & MASTER CYLINDERS (M/T)						
1 - C11	4140A	ACCELERATOR CONTROLS						
1 - D11	4200A	FUEL TANK						
1 - E11	4300A	CLUTCH & BRAKE PEDALS						
1 - F11	4340A	BRAKE MASTER CYLINDER & POWER BRAKE (REAR DRUM BRAKES) (S. GS)						
1 - G11	4340AA	BRAKE MASTER CYLINDER & POWER BRAKE (REAR DISK BRAKES) (GSL, GSL-SE)						
1 - H11	4360A	BRAKE PIPING (REAR DRUM BRAKE) (S. GS)						
1 - I11	4360AA	BRAKE PIPING (REAR DISC BRAKE) (GSL, GSL-SE)						
1 - J11	4400A	PARKING BRAKE SYSTEM						
1 - L11	4500A	FUEL PIPINGS						
1 - N11	4600A	CHANGE CONTROLS (A/T)						

# 3230A-1 STEERING LINKAGE

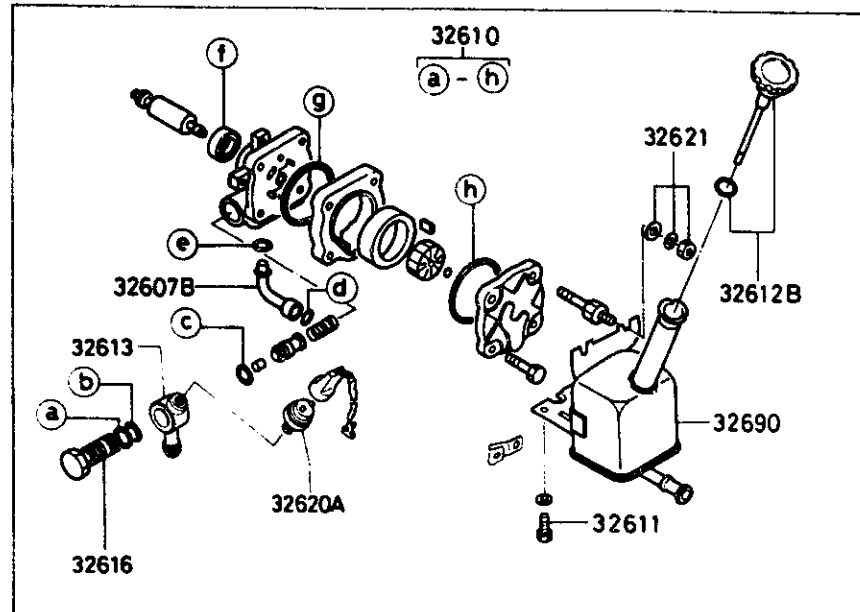
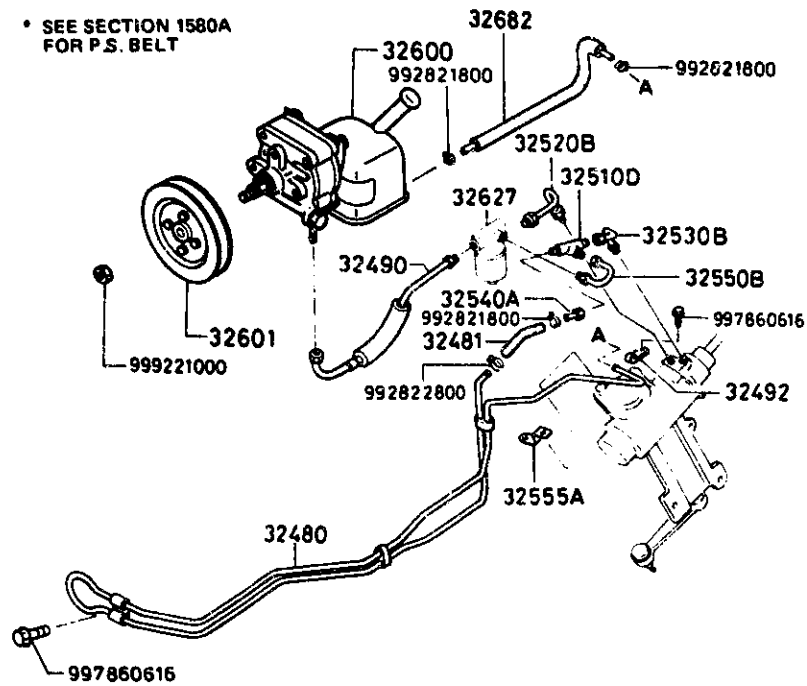


ITEM NO	D-CODE	DESCRIPTION	PART NO	QTY	MODEL/DESCRIPTION	REMARKS
32 240S		TIE ROD END, INNER	8531-99-322A	1		
32 261		LINK, CENTER	8871-32-261	1		
32 279		SEAL, DUST	8021-32-279	4		
32 279A		SEAL, DUST	0866-32-279	1		
32 280S		TIE ROD END, OUTER	8021-99-324	2		
32 320		ARM, IDLER	8871-32-320A	1		
32 321		SHIM, IDLER	1011-32-324	1	(T=0.05)	
			0866-32-323	1	(T=0.1)	
			0866-32-325	1	(T=0.3)	
32 329		BUSHING	1524-32-329B	2		
32 341		WASHER	0866-32-341	1		
32 365		ROD, TIE	2113-32-365	2		
32 555		SPRING	0305-34-555	3		



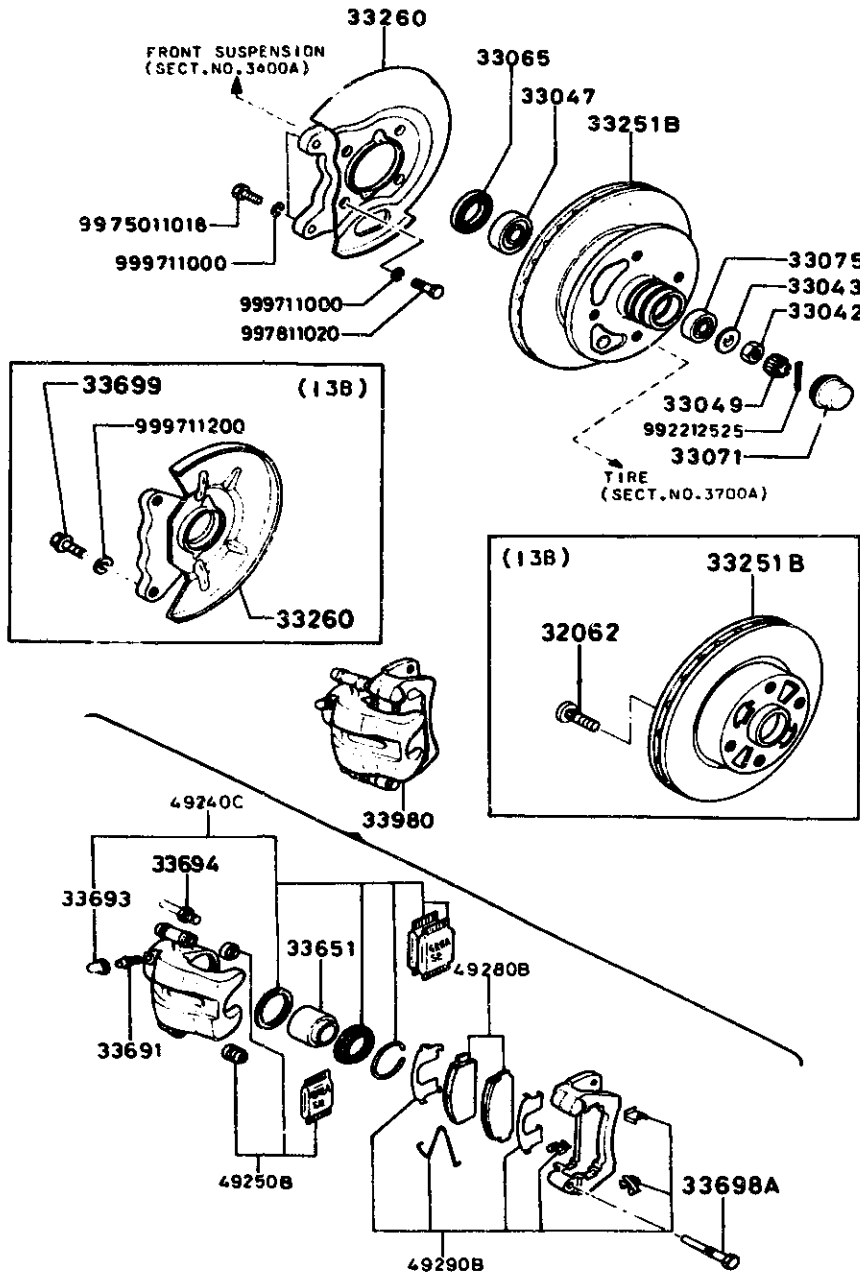
# 3240A-1 POWER STEERING SYSTEM

• SEE SECTION 1580A FOR P.S. BELT



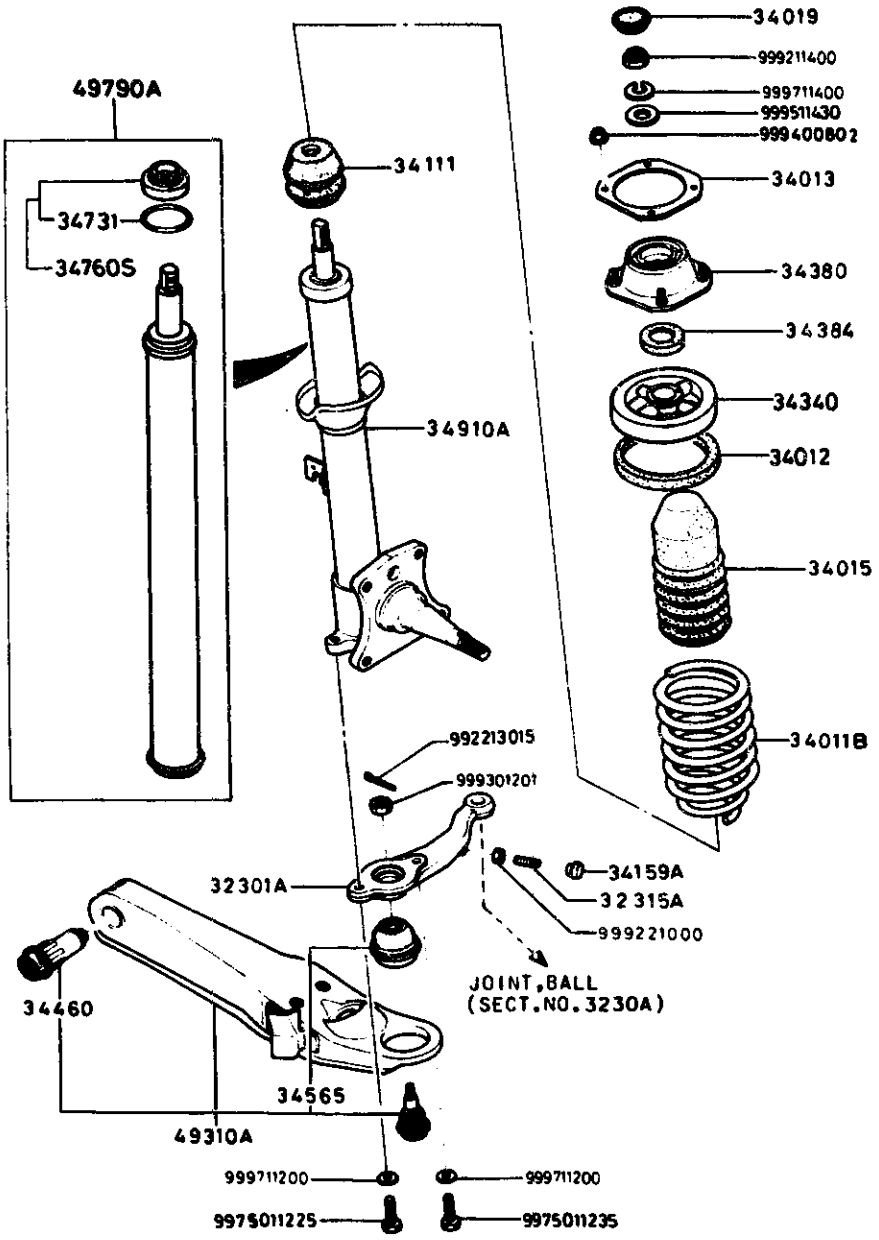
ITEM NO.	D-CODE	DESCRIPTION	PART NO.	QTY	MODEL/DESCRIPTION	REMARKS
32 480		PIPE, RETURN	FA55-32-570D	1		
32 481		HOSE, RETURN	FA55-32-481C	1		
32 490		HOSE, PRESSURE	FA55-32-490C	1		
32 492		CLIP	FA55-32-492	1		
32 510D		JOINT	FA55-32-510	1		
32 520B		PIPE, PRESSURE	FA55-32-520	1		
32 530B		PIPE, RETURN (NO. 1)	FA55-32-530	1		
32 540A		PIPE, RETURN (NO. 2)	FA55-32-540	1		
32 550B		PIPE, RETURN (NO. 3)	FA55-32-550	1		
32 555A		BRACKET	FA55-32-555	1		
32 600		PUMP, VANE	FA55-32-610	1		
32 601		PULLEY	H119-32-620	1		
32 607B		ELBOW, RETURN	HB40-32-607	1		
32 610		SEALING KIT	HB40-32-610	1		
32 611		BOLT	HB40-32-611	1		
32 612B		DIPSTICK	HB40-32-612	1		
32 613		NIPPLE	FA56-32-613	1		
32 616		BOLT	FA56-32-616	1		
32 620A		SWITCH, PRESSURE	FA56-32-620C	1		
32 621		NUT	HB40-32-621	1		
32 627		VALVE, CONTROL	FA55-32-500	1		
32 682		HOSE	FA55-32-460B	1		
32 690		TANK	FA56-32-690	1		

# 3300A-1 FRONT AXLE & BRAKES



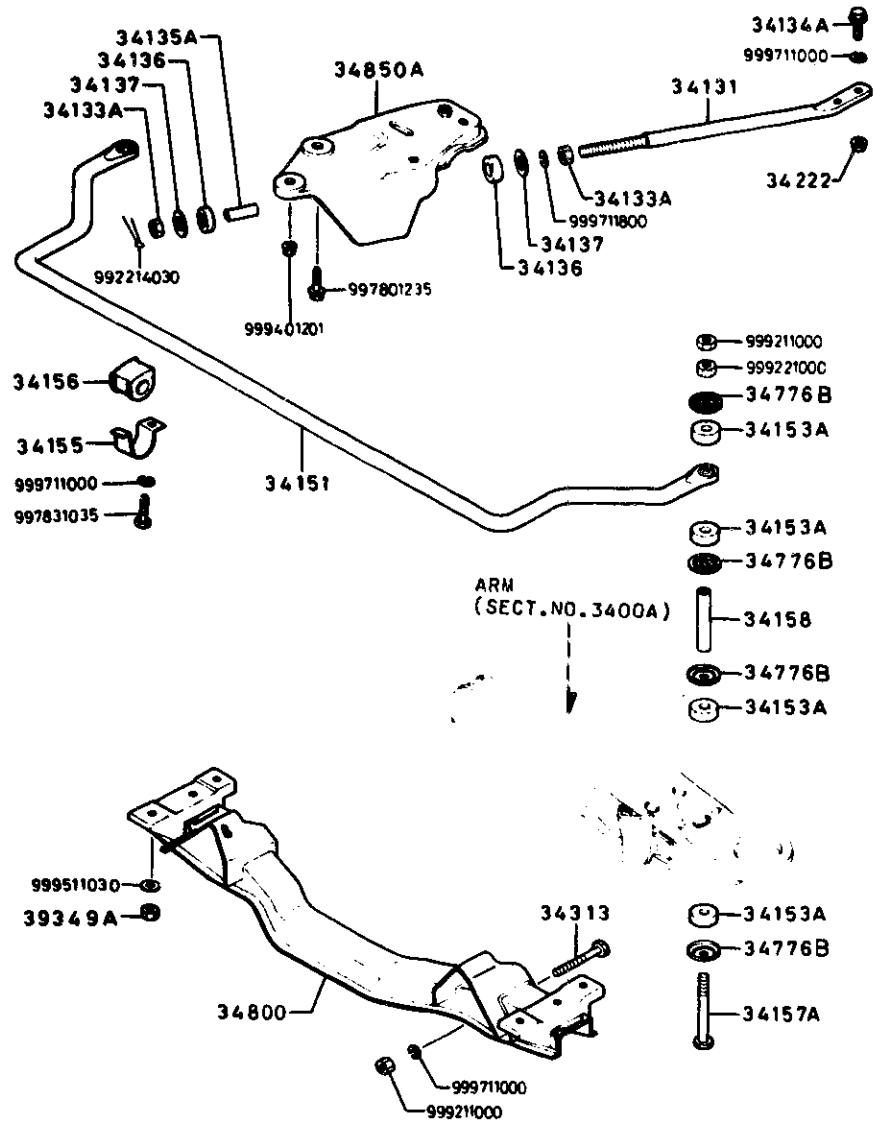
ITEM NO.	D-CODE	DESCRIPTION	PART NO.	QTY	MODEL/DESCRIPTION	REMARKS
32 062		BOLT, WHEEL	8595-26-113	8	13B (GSL-SE)	
33 042		NUT	0662-33-042	2		
33 043		WASHER, TAB	1011-33-043	2		
33 047		BEARING, FRONT WHEEL	8545-33-047	2		
33 049		COVER, SET	0662-33-049	2		
33 065		SEAL, OIL	1312-33-065	2		
33 071		CAP, HUB	H001-33-071	2		
33 075		BEARING, FRONT WHEEL	1391-33-075	2		
33 251B		PLATE, HUB/DISC	FA54-33-251B	2	12A (S, GS, GSL)	
			FA66-33-251B	2	13B (GSL-SE)	
33 260		ADAPTER (R), MOUNTING	FA54-33-260A	1	12A (S, GS, GSL)	
			FA66-33-260A	1	13B (GSL-SE)	
		ADAPTER (L), MOUNTING	FA54-33-270A	1	12A (S, GS, GSL)	
			FA66-33-270A	1	13B (GSL-SE)	
33 651		PISTON	8341-33-651A	1		
33 691		SCREW, BLEEDER	0233-33-691	2		
33 693		CAP, RUBBER	0255-33-693	4		
33 694		PIN, GLIDE	8341-33-694	2		
33 698A		PIN	8341-33-699	2	12A (S, GS, GSL)	
			FA66-33-699	2	13B (GSL-SE)	
33 699		BOLT, CALIPER BRAKE	0305-33-699	4	13B (GSL-SE)	
33 980		CALIPER (R), FRT. BRAKE	FA57-33-980	1	12A (S, GS, GSL)	
			FA66-33-980	1	13B (GSL-SE)	
		CALIPER (L), FRT. BRAKE	FA57-33-990	1	12A (S, GS, GSL)	
			FA66-33-990	1	13B (GSL-SE)	
49 240C		SEAL KIT	8341-49-240	1		
49 250B		BOOT KIT	8341-49-250	1	12A (S, GS, GSL)	
			FA66-49-250	1	13B (GSL-SE)	
49 280B		PAD SET, FRONT CALIPER	8871-49-280A	1	12A (S, GS, GSL)	
			FA66-49-280	1	13B (GSL-SE)	
49 290B		ATTACHMENT-PAD	8341-49-290A	1	12A (S, GS, GSL)	
			FA66-49-290A	1	13B (GSL-SE)	

# 3400A-1 FRONT SUSPENSION



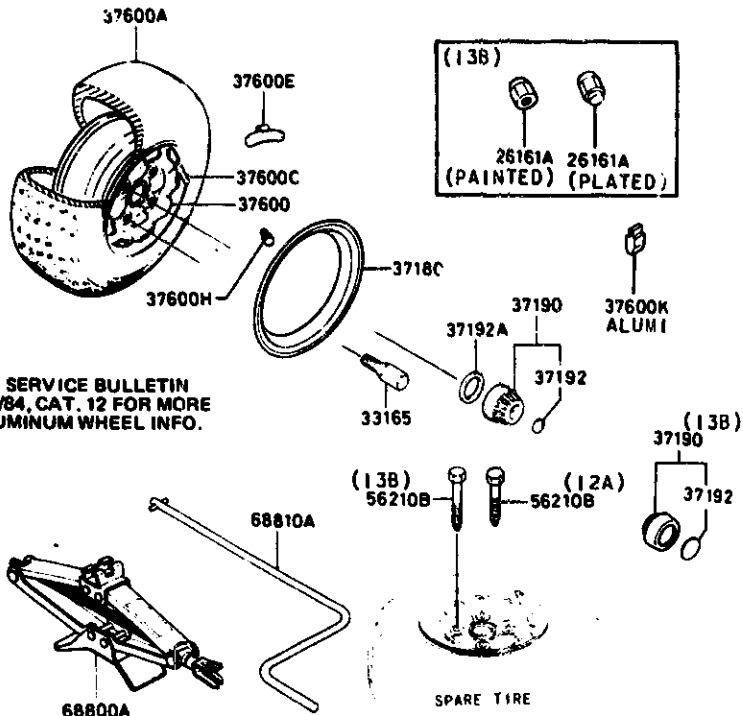
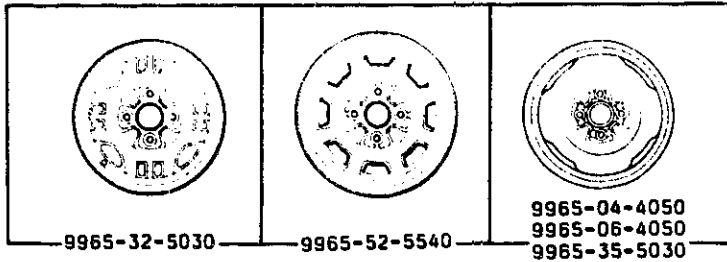
ITEM NO.	D-CODE	DESCRIPTION	PART NO.	QTY	MODEL/DESCRIPTION	REMARKS
32 301A		ARM (R), KNUCKLE	8871-32-301C	1		
		ARM (L), KNUCKLE	8871-32-311C	1		
32 315A		BOLT, STOPPER	0603-32-315	2		
34 011B		SPRING (R), COIL	F001-34-011A	1	12A (S, GS, GSU)	
			FA66-34-011	1	13B (GSL-SE)	
		SPRING (L), COIL	FA01-34-011A	1	12A (S, GS, GSU)	
			FA67-34-011	1	13B (GSL-SE)	
34 012		SHEET, RUBBER	FA01-34-012	2		
34 013		PLATE, ADJUST	1011-34-013	2		
34 015		COVER, DUST	FA01-34-015	2		
34 019		CAP, DAMPER	1011-34-019	2		
34 111		BUMPER, BOUND	8871-34-111A	2		
34 159A		STOPPER, STEERING	1243-34-159	2		
34 340		SHEET, SPRING-UPPER	FA01-34-340A	2		
34 380		BLOCK, MOUNTING	FA01-34-390A	2		
34 384		SPACER	FA01-34-384	2		
34 460		BUSHING, ARM	8173-34-460B	2		
34 565		SEAL, DUST	8531-34-565	2		
34 731		O-RING	B171-34-731	1		
34 760S		SEAL SET, DAMPER	B171-34-970	2		
34 910A		DAMPER	FA55-34-910A	2	12A (S, GS, GSU)	
			FA66-34-910B	2	13B (GSL-SE)	
49 310A		ARM & BALL JOINT (R)	FA54-49-310	1		
		ARM & BALL JOINT (L)	FA54-49-320	1		
49 790A		CARTRIDGE, DAMPER	FA01-49-790	2	12A (S, GS, GSU)	
			FA66-49-790	2	13B (GSL-SE)	

# 3410A-1 CROSSMEMBER & STABILIZER

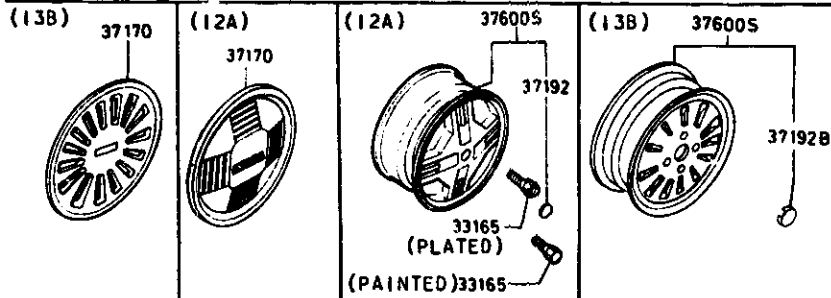


ITEM NO.	D-CODE	DESCRIPTION	PART NO.	QTY	MODEL/DESCRIPTION	REMARKS
34 131		ROD, TENSION	8871-34-131A	2		
34 133A		NUT, TENSION ROD	8871-34-133A	4		
34 134A		BOLT, TENSION ROD	8871-34-134A	4		
34 135A		SPACER	8871-34-135A	2		
34 136		CUSHION	8871-34-136B	4		
34 137		RETAINER	8871-34-137A	4		
34 151		STABILIZER	8871-34-151	1		
34 153A		BUSHING, STABILIZER	1243-34-153	8		
34 155		PLATE, STABILIZER	FA01-34-155	2		
34 156		BUSHING	8871-34-156A	2		
34 157A		BOLT, STABILIZER	0603-34-157A	2		
34 158		SPACER, STABILIZER	0603-34-158	2		
34 222		NUT	8871-34-222	4		
34 313		BOLT, ARM	8001-28-114	2		
34 776B		RETAINER	0223-28-776	8		
34 800		MEMBER, CROSS	FA55-34-800	1	12A A/T (S, GS, GSU)	
			8871-34-800C	1	12A M/T (S, GS, GSU)	
			FA66-34-800	1	13B (GSL-SR)	
34 850A		BRACKET (R), TENSION ROD	8871-34-850D	1		
		BRACKET (L), TENSION ROD	8871-34-860D	1		
39 349A		NUT, CROSS MEMBER	1391-39-349	4		

# 3700A-1 TIRE & JACK

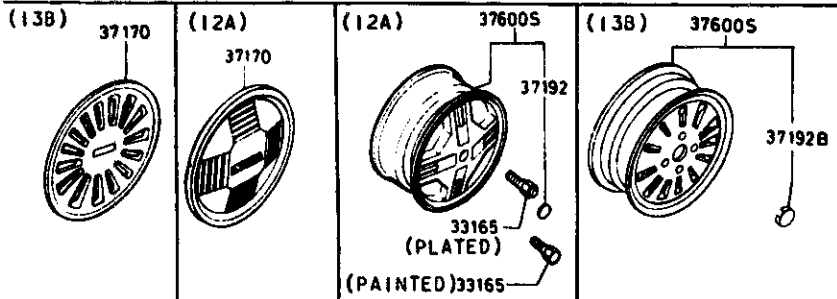
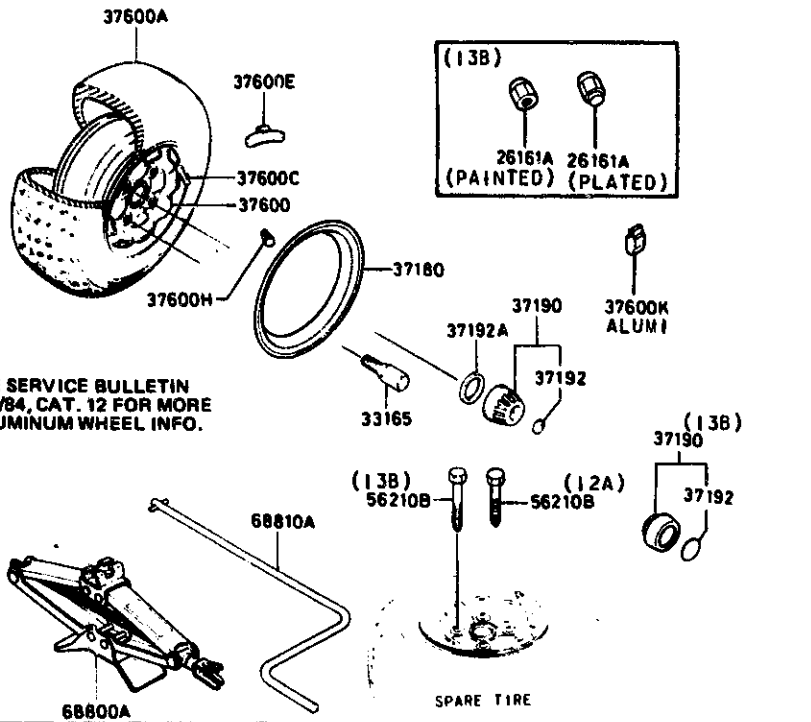
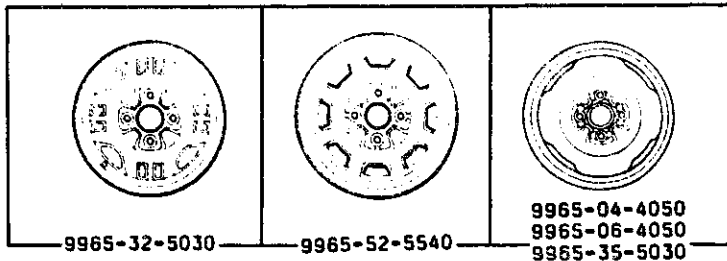


SEE SERVICE BULLETIN 001/84, CAT. 12 FOR MORE ALUMINUM WHEEL INFO.



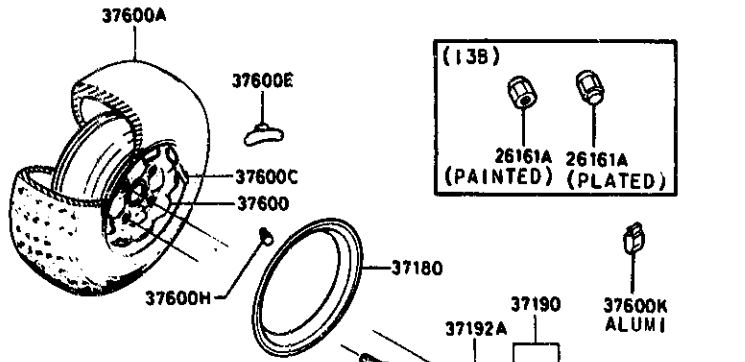
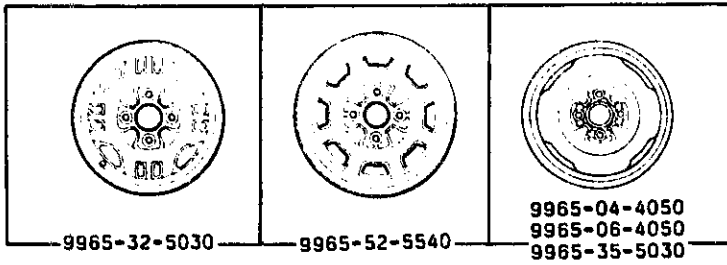
ITEM NO.	D-CODE	DESCRIPTION	PART NO.	QTY	MODEL/DESCRIPTION	REMARKS
26 161A		NUT, HUB	8002-37-160	16	13B (GSI-SE) (PLATED)	
			0603-26-161	16	13B (GSI-SE) (PAINTED)	
		SEE ACCESSORY BULLETIN XE-5 FOR WHEEL LOCK INFORMATION				
33 165		BOLT, WHEEL SET	1029-33-165	16	12A (S, GS, GSI) (PLATED)	
			8531-33-165	16	12A (S, GS, GSI) (PAINTED)	
			< A >	16		
			8532-33-165	16		
			8595-26-113	8	13B (GSI-SE)	
37 170		CAP, WHEEL	G002-37-190	4	12A (S,GS,GSI)	
			H116-37-170	4	13B (GSI-SE) THRU JULY '84	FB33* .. 800001-856208
37 180		RING, WHEEL	1011-37-182D	4	12A (S, GS, GSI)	
			H002-37-182A	4	13B (GSI-SE)	
37 190		CAP, CENTER	8871-37-190	4	12A (S, GS, GSI)	
			8001-37-190	4	13B (GSI-SE)	
37 192		EMBLEM	FA01-37-191	4	12A (S, GS, GSI) (FOR ALUMI. WHEEL)	
			8871-37-192	4	12A (S, GS, GSI) (FOR STEEL WHEEL)	
			8001-37-192	4	13B (GSI-SE) (FOR STEEL WHEEL)	
37 192A		RUBBER, SET	8531-37-193C	4	12A (S, GS, GSI) (FOR CENTER CAP)	
37 192B		EMBLEM	H115-37-192	4	13B (GSI-SE) (FOR ALUMI. WHEEL)	
37 600		WHEEL	9965-04-4050		(TEMPORARY) (S, GS, GSI)	
			9965-06-4050	1	13B (GSI-SE) (4-TX15) (TEMPORARY)	
			9965-38-5030	4	12A (S, GS, GSI) (5JX13WDC) (DESIGN STEEL WHL)	
		SUNBEAM SILVER M.	K3			
				4	12A (S, GS, GSI) (5JX13WDC) (NORMAL STEEL WHL)	
		SUNBEAM SILVER M.	K3			
			9965-52-5540	1	13B (GSI-SE) (5.5-JJX14WDC) (STEEL WHL) THRU JULY '84 PROD.	FB33* .. 800001-856208
		TIRE				
		SEE ACCESSORY BULLETIN XE-1 FOR MORE TIRE INFO.				
37 600C		VALVE, AIR	9963-60-4130			
37 600E		WEIGHT, BALANCING	9965-53-0010		(110G)	

# 3700A-2 TIRE & JACK

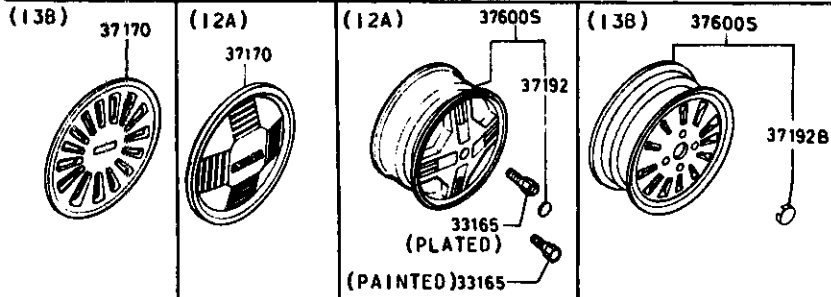
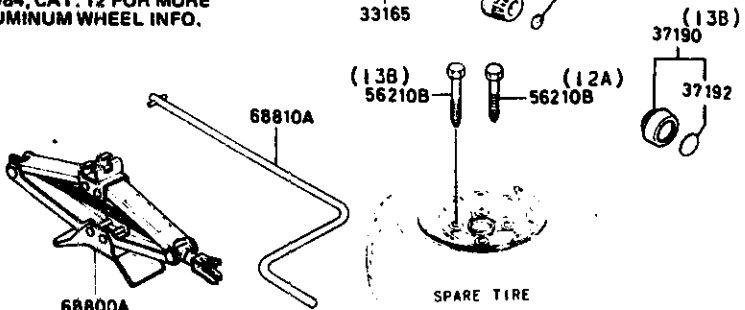


ITEM NO.	D-CODE	DESCRIPTION	PART NO.	QTY	MODEL/DESCRIPTION	REMARKS
37 600E (CONT'D)			9965-53-0015		(15G)	
			9965-53-0020		(20G)	
			9965-53-0025		(25G)	
			9965-53-0030		(30G)	
			9965-53-0035		(35G)	
			9965-53-0040		(40G)	
			9965-53-0045		(45G)	
			9965-53-0050		(50G)	
			9965-53-0060		(60G)	
	37 600H	EXTENSION, AIR VALVE	9963-72-0221	1	13B (GSL-SE)	
	37 600K	WEIGHT, BALANCE-ALUMINUM (ADHESIVE TYPE)	9965-59-0010		(10G) S, GS, GSL	
			9965-59-0015		(15G) S, GS, GSL	
		WEIGHT, BALANCE-ALUMINUM (ADHESIVE TYPE)	9965-59-0020		(20G) S, GS, GSL	
			9965-59-0025		(25G) S, GS, GSL	
			9965-59-0030		(30G) S, GS, GSL	
9965-59-0035				(35G) S, GS, GSL		
9965-59-0040				(40G) S, GS, GSL		
9965-59-0045				(45G) S, GS, GSL		
9965-59-0050				(50G) S, GS, GSL		
9965-59-0060				(60G) S, GS, GSL		
9965-61-0010				(10G) GSL-SE		
9965-61-0015				(15G) GSL-SE		
9965-61-0020				(20G) GSL-SE		
9965-61-0025				(25G) GSL-SE		
9965-61-0030				(30G) GSL-SE		
9965-61-0035		(35G) GSL-SE				
9965-61-0040		(40G) GSL-SE				
9965-61-0045		(45G) GSL-SE				
9965-61-0050		(50G) GSL-SE				
9965-61-0060		(60G) GSL-SE				
37 600S	WHEEL SET, ALUMINUM	FA01-89-376	5	12A (S, GS, GSL) (S, SJJX13WDC)		
		H115-89-376	5	13B (GSL-SE) (S, SJJX14)		
56 210B	CLAMP, SPARE TIRE	FA54-56-961	1	12A (S, GS, GSL)		
		FO02-56-961	1	13B (GSL-SE)		

**3700A-3 TIRE & JACK**

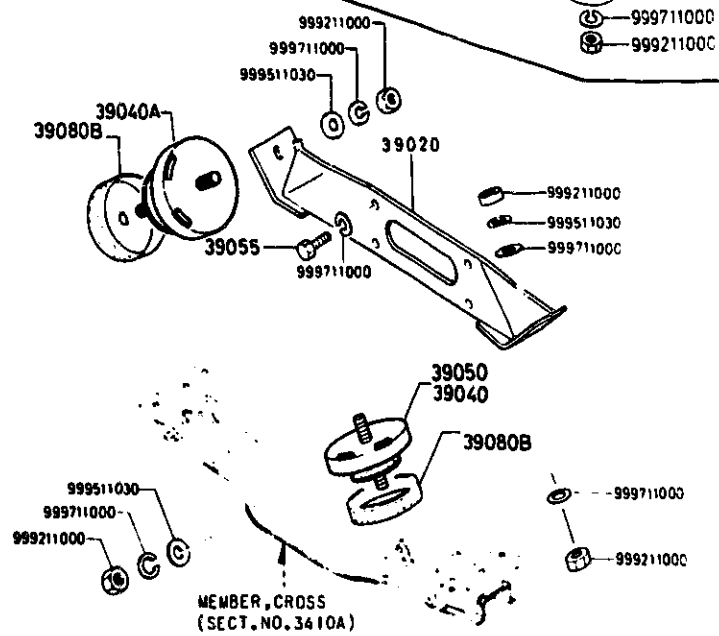
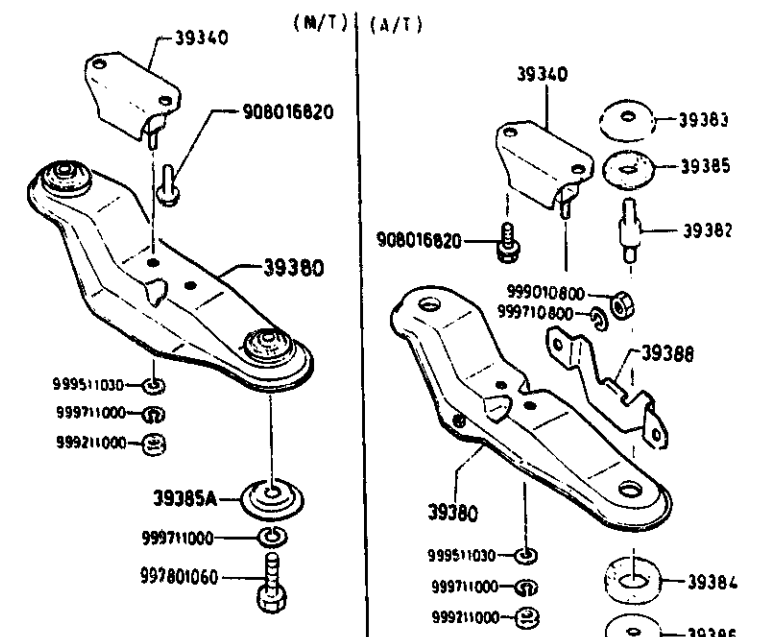


SEE SERVICE BULLETIN  
001/84, CAT. 12 FOR MORE  
ALUMINUM WHEEL INFO.



ITEM NO.	D-CODE	DESCRIPTION	PART NO.	QTY	MODEL/DESCRIPTION	REMARKS
48	800A	JACK	8871-37-790D	1		
48	810A	HANDLE, JACK	0305-68-810A	1		

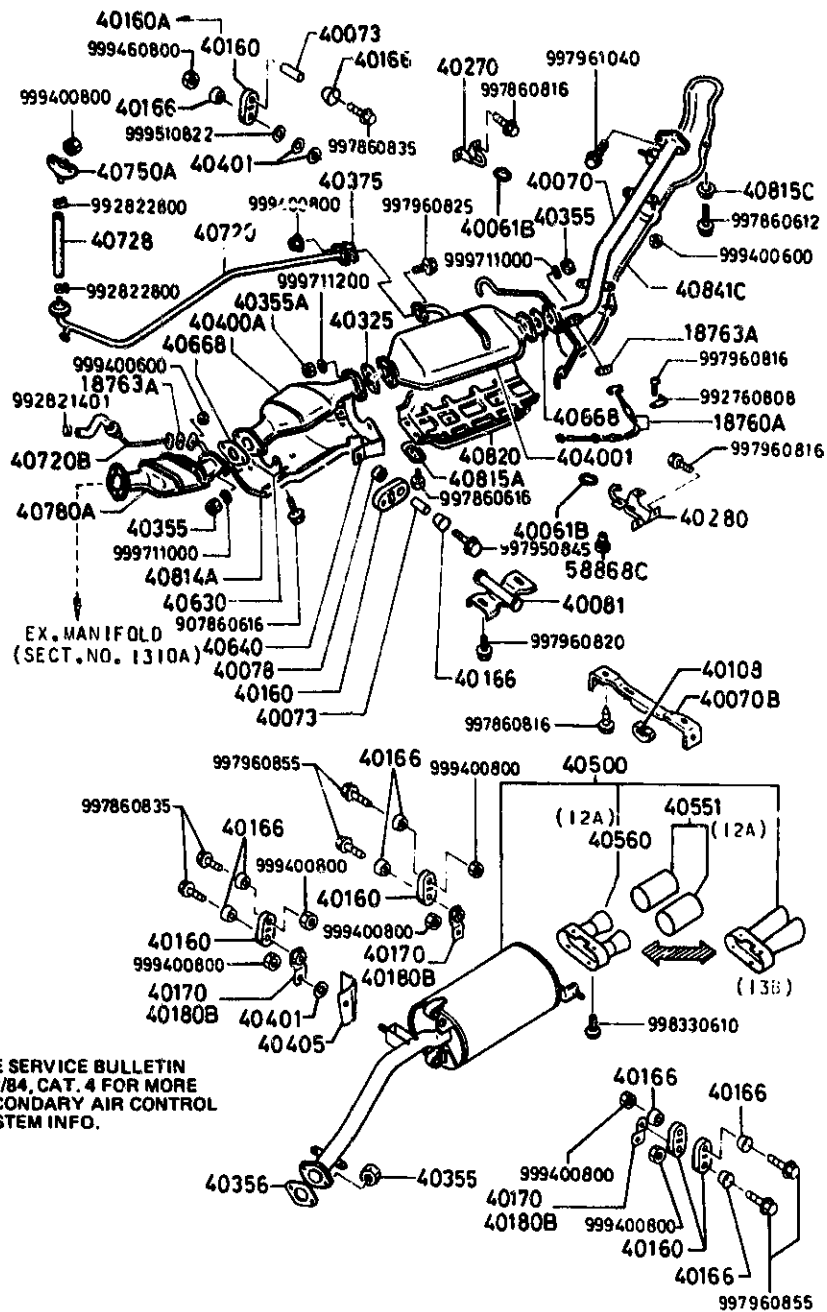
# 3900A-1 ENGINE & TRANSMISSION MOUNTINGS



ITEM NO.	D-CODE	DESCRIPTION	PART NO.	QTY	MODEL/DESCRIPTION	REMARKS
39 020		BRACKET, ENGINE MTG.	8871-39-021B	1		
39 040		RUBBER (L), ENGINE MTG.	FA55-39-040	1	13B (GSI-SE) 12A A/T (S. GS, GSI)	
39 040A		RUBBER (R), ENGINE MTG.	1668-39-040D	1		
39 045		CASING (L), STOPPER	FA55-39-045	1	13B (GSI-SE) 12A A/T (S. GS, GSI)	
39 050		RUBBER (L), ENGINE MTG.	8545-39-040	1	12A M/T (S. GS, GSI)	
39 055		BOLT	8788-39-055	4		
39 080B		CASING, STOPPER	1668-39-045B	2	12A M/T	
39 340		RUBBER, T/MISSION MTG.	FA55-39-340B 1011-39-340A	1	A/T	
39 380		MEMBER, T/MISSION MTG.	FA55-39-380C FA66-39-350A	1	A/T	
39 382		STUD	FA55-39-372	2	A/T	
39 383		WASHER	0884-39-383A	2	A/T	
39 384		INSULATOR, LOWER	8599-39-384A	2	A/T	
39 385		INSULATOR, UPPER	F001-39-375	2	A/T	
39 385A		WASHER	FA66-39-385	2	M/T	
39 386		WASHER	0884-39-386	2	A/T	
39 388		STOPPER, T/MISSION MTG.	FA55-39-388A	1	A/T	



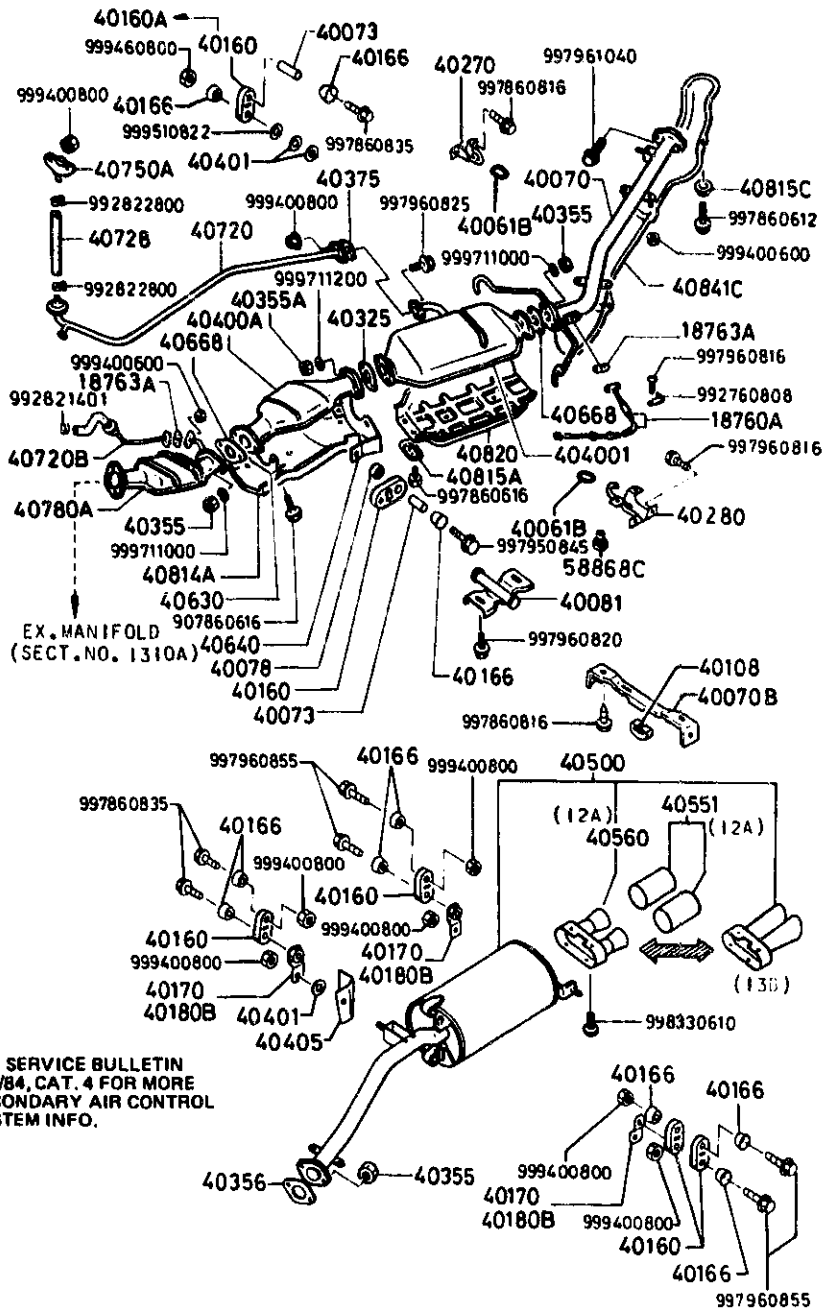
# 4000A-1 EXHAUST SYSTEM



SEE SERVICE BULLETIN  
002/84, CAT. 4 FOR MORE  
SECONDARY AIR CONTROL  
SYSTEM INFO.

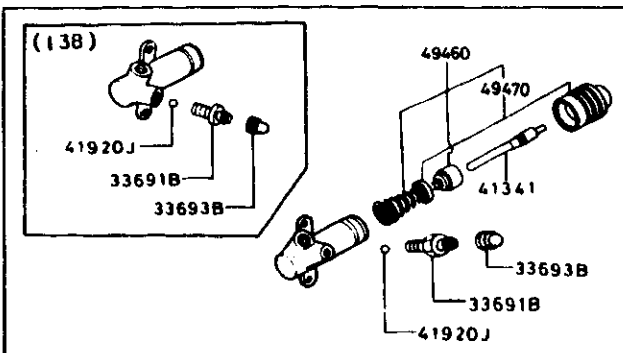
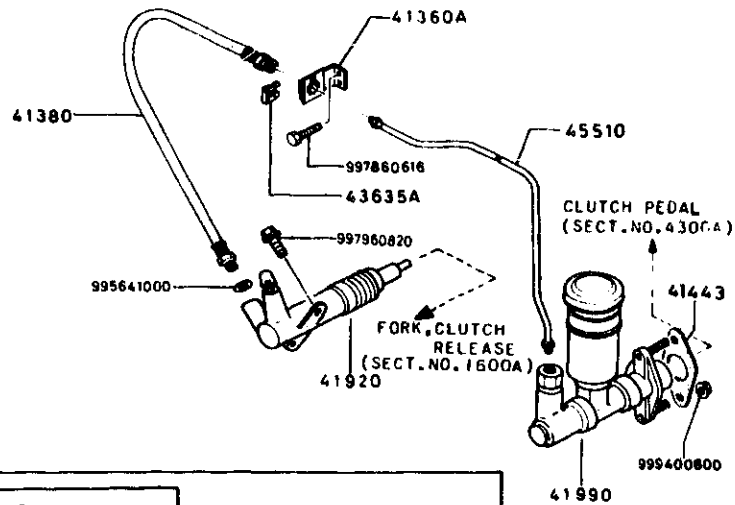
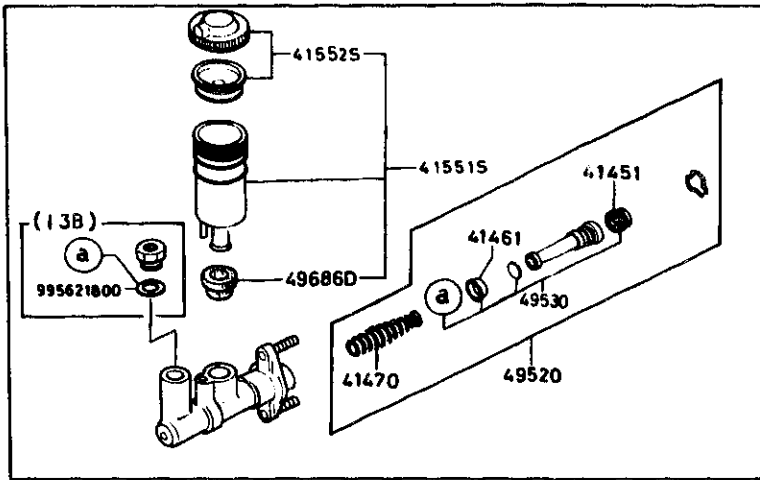
ITEM NO.	D-CODE	DESCRIPTION	PART NO.	QTY	MODEL/DESCRIPTION	REMARKS
	18 760A	SENSOR, THERMO	N249-18-761	1	12A (S. GS. GSI)	
	18 763A	GASKET	8131-18-763	2	12A (S. GS. GSI)	
	40 061B	RUBBER, HANGER	N225-40-061	2		
	40 070	PIPE	N249-40-200B	1	12A M/T (S. GS. GSI) THRU FEB. '84 PROD.	FB33* ..800001-825342
			N249-40-200C	1	12A M/T (S. GS. GSI) FROM MAR. '84 PROD.	FB33* ..825343-
			N250-40-200C	1	A/T (S. GS. GSI) THRU FEB. '84 PROD.	FB33* ..800001-825342
			N250-40-200D	1	A/T (S. GS. GSI) FROM MAR. '84 PROD.	FB33* ..825343-
			N304-40-200A	1	13B (GSI-SE) THRU FEB. '84 PROD.	FB33* ..800001-825342
			N304-40-200B	1	13B (GSI-SE) FROM MAR. '84 PROD.	FB33* ..825343-
	40 070B	BRACKET	8871-40-010	1		
	40 073	SPACER	N305-40-073	1		
	40 078	GASKET	N304-40-078A	1		
	40 081	BRACKET	N250-40-080B	1	84 MODEL A/T	
			N304-40-080B	1	84 MODEL M/T	
	40 108	RUBBER, STOP	1114-40-108B	1		
	40 160	HANGER, SILENCER	N304-40-161A	1		
			1114-40-160	4		
	40 160A	HANGER, SILENCER	N305-40-030	1		
	40 166	WASHER	0820-40-166	9		
	40 170	PLATE	8871-40-180	3	12A (S. GS. GSI)	
	40 180B	PLATE, HANGER	N304-40-180	1	13B (GSI-SE)	
	40 270	HOOK	1480-40-270	1		
	40 280	HOOK	1480-40-280A	1		
	40 325	GASKET	1480-40-325	1		
	40 355	NUT, FLANGE	8134-40-355	4	THRU AUG. '84 PROD.	FB33* ..800001-86182B
			E508-20-524	2	FROM SEP. '84 PROD.	FB33* ..861829-
	40 355A	NUT	8118-40-355	2	13B (GSI-SE)	
	40 356	GASKET	8182-40-356	1		
	40 375	GASKET	1480-40-375	1		
	40 4001	CONVERTER, MONOLITH	N304-40-300	1		
	40 400A	CONVERTER NO. 2, PRE	N249-40-400B	1	M/T	
			N250-40-400B	1	A/T	
	40 401	INSULATOR	8871-40-401	3		
	40 405	INSULATOR	8871-40-405A	1		
	40 500	SILENCER, MAIN	N229-40-500A	1	12A (S. GS. GSI)	
			N304-40-500C	1	13B (GSI-SE)	
	40 551	COVER	8871-40-551	2	12A (S. GS. GSI)	

# 4000A-2 EXHAUST SYSTEM



ITEM NO.	D-CODE	DESCRIPTION	PART NO.	QTY	MODEL/DESCRIPTION	REMARKS
40 560		FUNNEL	8871-40-560	1	12A (S. GS. GSU)	
			N304-40-560	1	13B (GSI-SE)	
40 630		BRACKET	N304-40-630C	1		
40 640		BRACKET	N249-40-640A	1	M/T	
			N250-40-640B	1	A/T	
40 668		GASKET	1480-13-621	1		
40 720		PIPE, AIR	N249-40-740A	1	12A M/T (S. GS. GSU)	
			N250-40-740A	1	A/T (S. GS. GSU)	
			N304-40-740	1	13B (GSI-SE)	
40 720B		PIPE, AIR	N249-40-720	1	12A A/T (S. GS. GSU) FROM MAR. '84 PROD.	FB33* .824687.
40 728		HOSE, AIR	1480-40-728	1	12A (S. GS. GSU)	
			N304-40-728B	1	13B (GSI-SE)	
40 750A		PIPE, PRE AIR	1480-40-750	1	12A (S. GS. GSU)	
40 780A		CONVERTER NO. 1, PRE	N249-40-780B	1	THRU FEB. '84 PROD.	FB33* .800001-824686
			N249-40-780C	1	12A (S. GS. GSU) FROM MAY '84 PROD.	FB33* .824687.
			N305-40-780	1	13B (GSI-SE) FROM MAR. '84 PROD.	FB33* .824687.
40 814A		PROTECTOR	N250-40-814E	1	A/T	
			N304-40-814E	1	M/T	
40 815A		WASHER	1480-40-815	2		
40 815C		WASHER	8545-40-815	4		
40 820		PROTECTOR NO. 2	N304-40-820	1		
40 841C		PROTECTOR	N250-40-841A	1	A/T	
			N305-40-841A	1	M/T	
58 868C		PLUG, SERVICE COVER	0559-58-868	1	13B (GSI-SE)	

# 4140A-1 CLUTCH RELEASE & MASTER CYLINDERS (M/T)



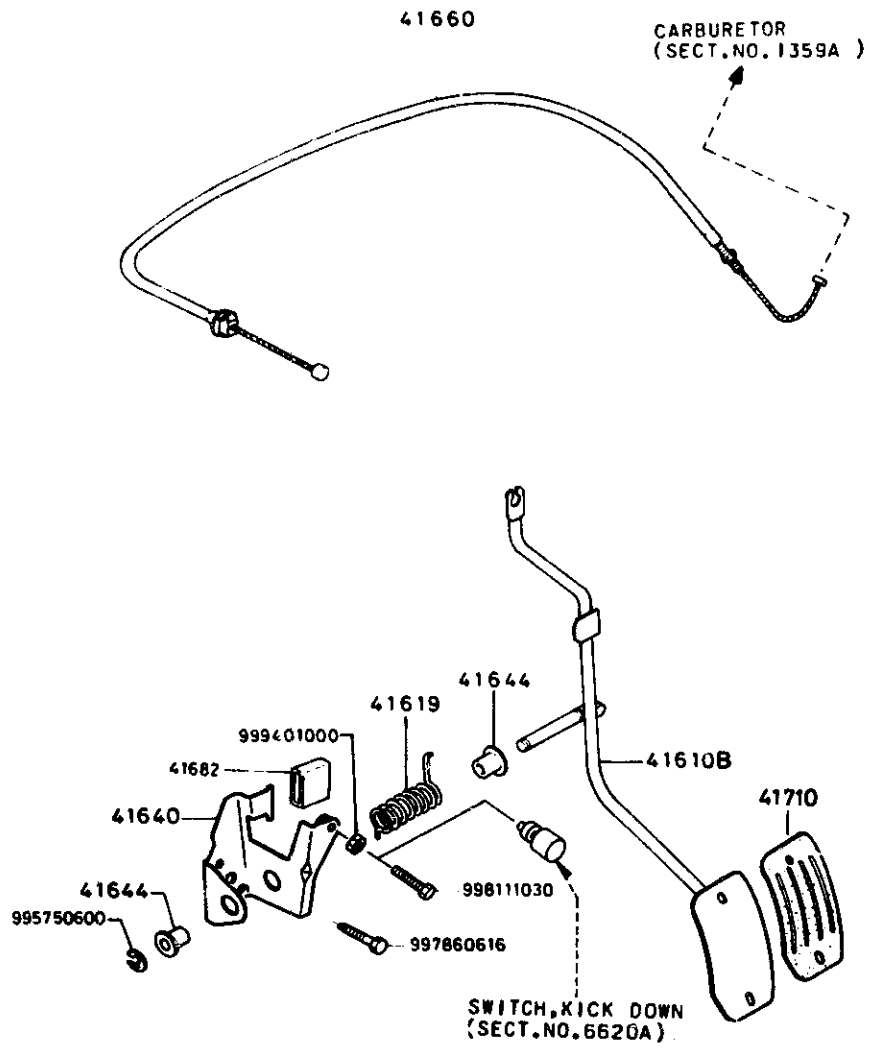
ITEM NO.	D-CODE	DESCRIPTION	PART NO.	QTY	MODEL/DESCRIPTION	REMARKS
33 691B		SCREW, BLEEDER	0259-33-691	1		
33 693B		CAP, BLEEDER	0259-33-693	1		
41 341		ROD	H005-41-341	1		
41 360A		HOLDER	8871-41-370	1		
41 380		HOSE, FLEXIBLE	G011-41-380	1		
41 443		GASKET	H001-41-443	1		
41 451		CUP, SECONDARY	0305-41-451	1		
41 461		CUP, PRIMARY	0839-41-461	1		
41 470		SPRING	GA02-41-470	1	FROM APR '84 PROD	FB33* .829422.
41 551S		TANK SET, RESERVE	GA02-49-570B	1		
41 552S		CAP SET, RESERVE TANK	GA02-49-580B	1	THRU NOV '84 PROD	FB33* .800001-876903
			B093-49-580	1	FROM DEC '84 PROD	FB33* .876904.
41 920		CYLINDER, CLUTCH RELEASE	FA42-41-920A	1	12A (S. GS. GSU)	
			FA01-41-920	1	13B (GSI-SE)	
41 920J		BALL, STEEL	9961-11-500	1		
41 990		CYLINDER, CLUTCH MASTER	FA54-41-400A	1	12A (S. GS. GSU)	
			FA66-41-400A	1	13B (GSI-SE)	
43 635A		CLIP, FLEXIBLE HOSE	0136-43-635	1		
45 510		PIPE, CLUTCH	FA66-45-510	1		
49 460		PARTS KIT, INNER	H005-49-460	1		
49 470		SEALING KIT	H005-49-470	1		
49 520		PARTS KIT, INNER	GA02-49-520A	1	12A (S. GS. GSU)	
			S008-41-52Z	1	13B (GSI-SE)	
49 530		SEALING KIT	GA02-49-530	1	12A (S. GS. GSU)	
			W001-49-530	1	13B (GSI-SE)	
			< A >	1		
49 686D		BUSHING, ELBOW JOINT	0305-41-686D	1		

# SECTION INDEX -- CHASSIS

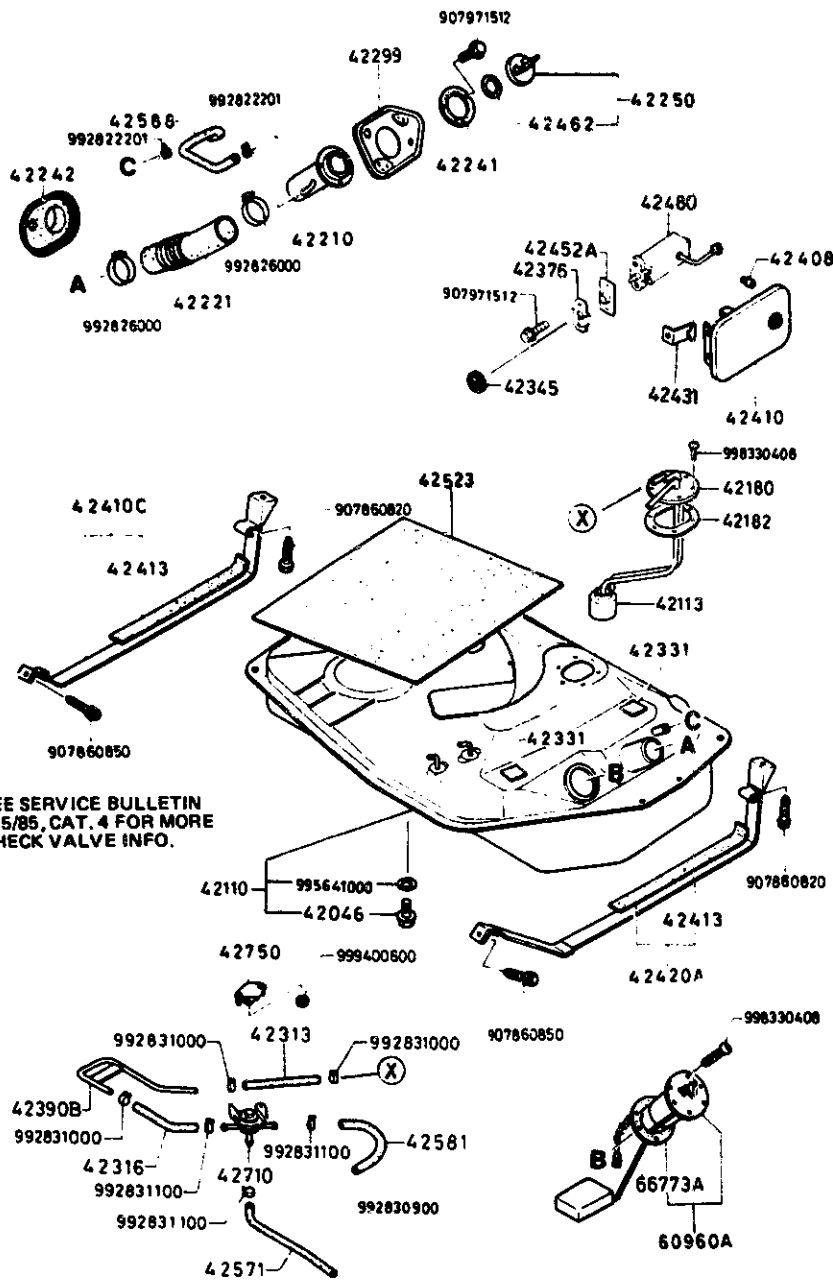
STARTING LOCATION	SECT. NO.	SECTION NAME	STARTING LOCATION	SECT. NO.	SECTION NAME	STARTING LOCATION	SECT. NO.	SECTION NAME
1 - C 9	2500A	PROPELLER SHAFT						
1 - D 9	2600A	REAR AXLE						
1 - E 9	2610A	REAR BRAKES (DRUM) (S. GS)						
1 - F 9	2610AA	REAR BRAKES (DISC) (GSL, GSL-SE)						
1 - G 9	2700A	DIFFERENTIAL (REAR DRUM BRAKES) (S. GS)						
1 - I 9	2700AA	DIFFERENTIAL (REAR DISC BRAKES) (GSL, GSL-SE)						
1 - K 9	2800A	REAR SUSPENSION						
1 - L 9	2810A	REAR STABILIZER						
1 - M 9	3200A	STEERING WHEEL						
1 - N 9	3210A	STEERING COLUMN & GEAR						
1 - C10	3230A	STEERING LINKAGE						
1 - D10	3240A	POWER STEERING SYSTEM						
1 - E10	3300A	FRONT AXLE & BRAKES						
1 - F10	3400A	FRONT SUSPENSION						
1 - G10	3410A	CROSSMEMBER & STABILIZER						
1 - H10	3700A	TIRE & JACK						
1 - K10	3900A	ENGINE & TRANSMISSION MOUNTINGS						
1 - L10	4000A	EXHAUST SYSTEM						
1 - N10	4140A	CLUTCH RELEASE & MASTER CYLINDERS (M/T)						
1 - C11	4160A	ACCELERATOR CONTROLS						
1 - D11	4200A	FUEL TANK						
1 - E11	4300A	CLUTCH & BRAKE PEDALS						
1 - F11	4340A	BRAKE MASTER CYLINDER & POWER BRAKE (REAR DRUM BRAKES) (S. GS)						
1 - G11	4340AA	BRAKE MASTER CYLINDER & POWER BRAKE (REAR DISK BRAKES) (GSL, GSL-SE)						
1 - H11	4360A	BRAKE PIPING (REAR DRUM BRAKE) (S. GS)						
1 - I11	4360AA	BRAKE PIPING (REAR DISC BRAKE) (GSL, GSL-SE)						
1 - J11	4400A	PARKING BRAKE SYSTEM						
1 - L11	4500A	FUEL PIPINGS						
1 - N11	4600A	CHANGE CONTROLS (A/T)						

# 4160A-1 ACCELERATOR CONTROLS

ITEM NO.	D-CODE	DESCRIPTION	PART NO.	QTY	MODEL/DESCRIPTION	REMARKS
41 610B		PEDAL & ARM	FA55-41-610A	1		
41 619		SPRING, RETURN	B239-41-619	1		
		< A >	0824-41-619	1		
41 640		RETAINER, ROD	FA54-41-650A	1		
41 644		BUSHING	0259-41-644	2		
41 660		WIRE, ACCELERATOR	FA54-41-660A	1	12A (S. GS. GSU)	
			FA66-41-660C	1	13B (GSL JE)	
41 682		STOPPER	B001-41-652	1	FROM SEP. '84 PROD.	FB33* .861829-
41 710		PEDAL, ACCELERATOR	FA54-41-711A	1		



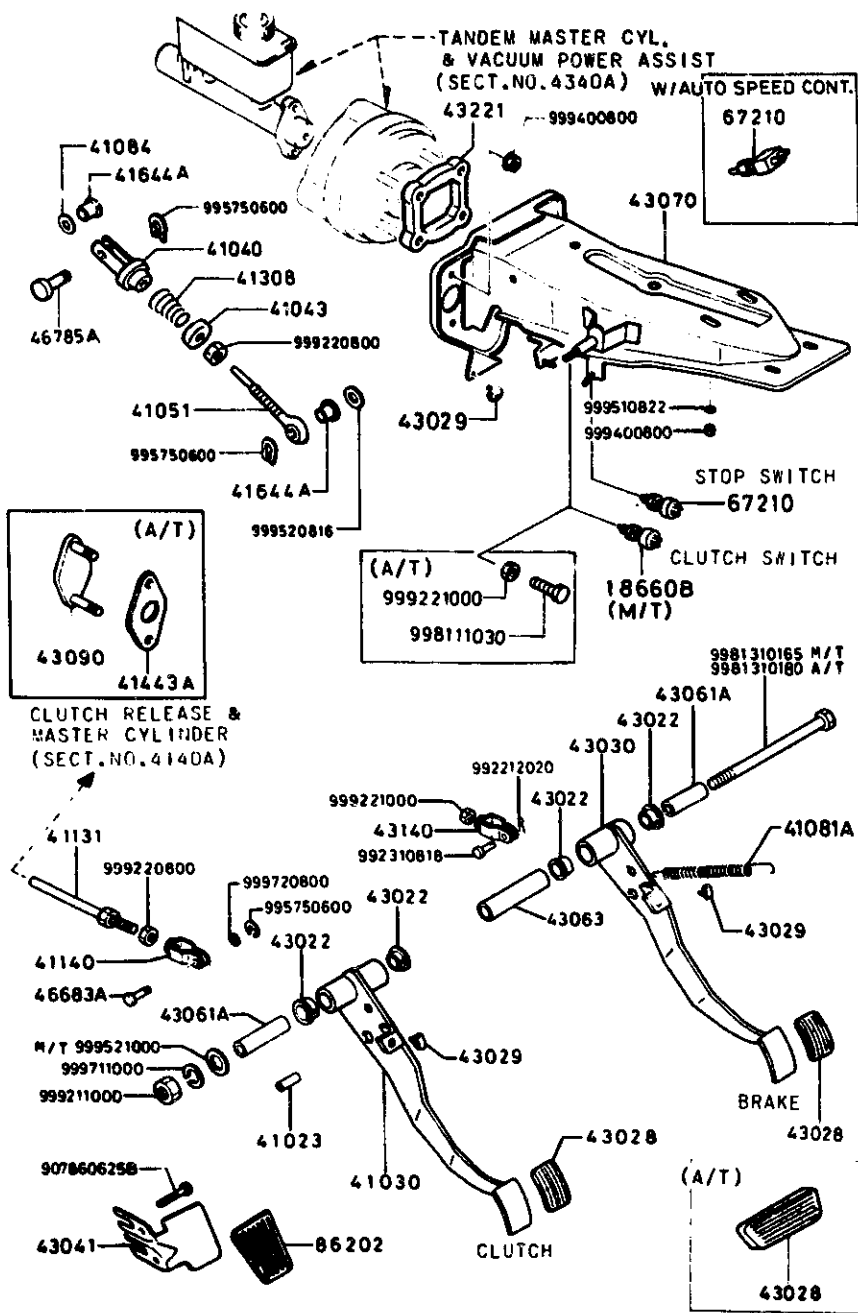
# 4200A-1 FUEL TANK



SEE SERVICE BULLETIN  
015/85, CAT. 4 FOR MORE  
CHECK VALVE INFO.

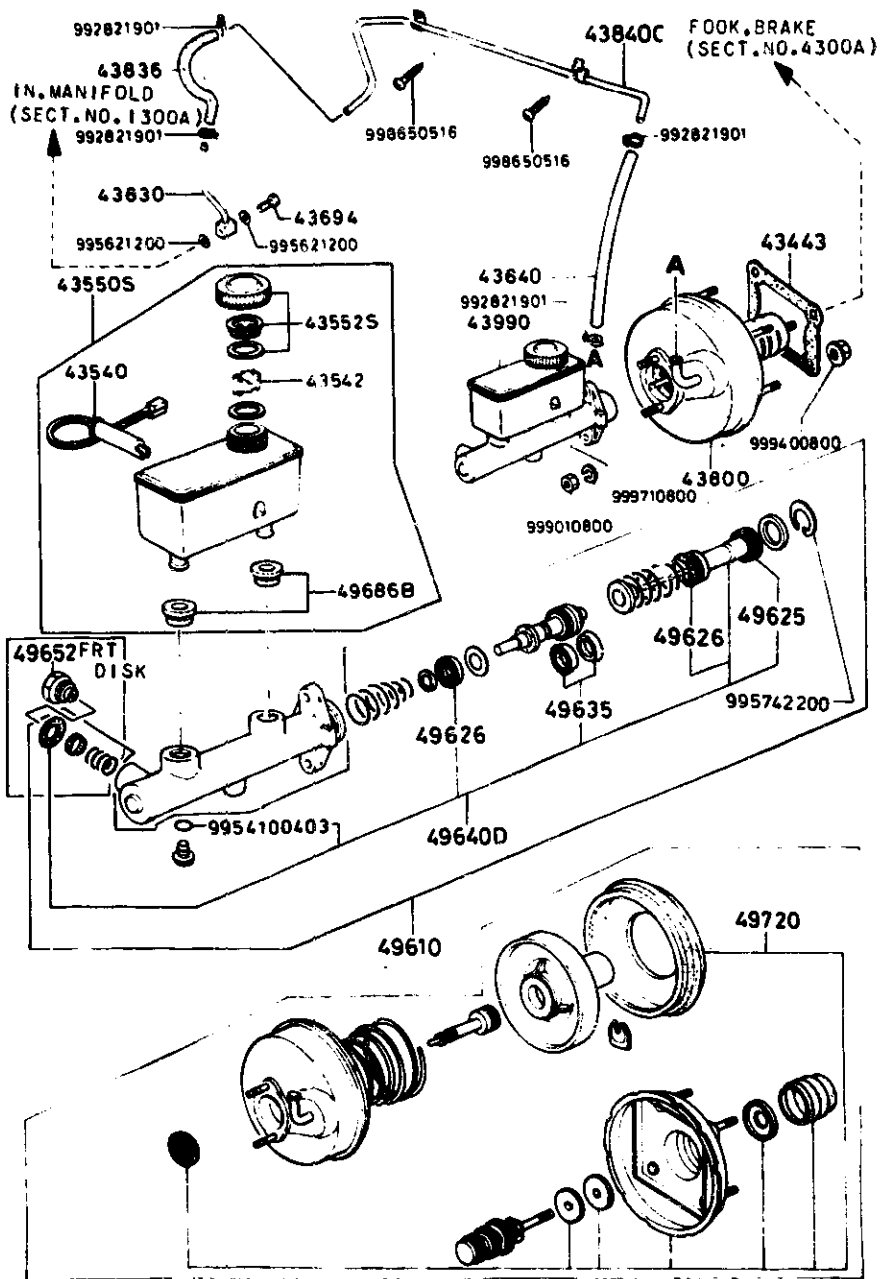
ITEM NO.	D-CODE	DESCRIPTION	PART NO.	QTY	MODEL/DESCRIPTION	REMARKS
42 046		PLUG, DRAIN	BC88-42-045	1		
42 110		TANK, FUEL	FA54-42-110	1	12A (S, GS, GSU)	
			FA66-42-110/	1	13B (GSI-SE)	
42 113		FILTER, FUEL TANK	GA97-42-113	1	12A (S, GS, GSU)	
			G037-42-113A	1	13B (GSI-SE)	
42 180		PIPE, FUEL	FA54-42-180	1	12A (S, GS, GSU)	
			FA66-42-180	1	13B (GSI-SE)	
42 182		GASKET, FUEL PIPE	FA54-42-182	1		
42 210		PIPE, FILLER	FA54-42-210A	1		
42 221		HOSE, FILLER	8344-42-241	1		
42 241		GASKET, FILLER PIPE	0866-42-366B	1		
42 242		RUBBER, SEAL	8871-42-242A	1		
42 250		CAP, FILLER	8871-42-250B-BP	1	(BLISTER PACK)	
42 299		REINFORCEMENT	FA54-42-291A	1		
42 313		TUBE, VENT	9935-10-6999	1	BULK QTY	
42 316		HOSE, VENT	9935-10-6999	1	BULK QTY	
42 331		SHEET	8531-42-761	2		
42 345		GROMMET	FA01-42-453	1		
42 376		PLATE, LOCK	H043-42-451A	1		
42 390B		PIPE, BREATHER	8562-42-530	1		
42 408		STOPPER, FILLER LID	0187-70-491	2		
42 410		LID, FUEL FILLER	FA54-42-410	1		
42 410C		BAND (R), TANK FIXTURE	8871-42-710B	1		
42 413		SHEET	8871-42-745	2		
42 420A		BAND (L), TANK FIXTURE	8871-42-720A	1		
42 431		SPRING LIFT, LID	FA01-42-431B	1		
42 452A		GROMMET	H043-42-452B	1		
42 462		GASKET, CAP	8871-42-365	1		
42 480		OPENER, FILLER LID	F023-42-470B	1		
42 523		PAD, FUEL TANK	8871-42-761	1		
42 571		HOSE, VENT	8871-42-571C	1		
42 581		HOSE, BREATHER	F001-42-581A	1		
42 588		HOSE, VENT	8344-42-245	1		
42 710		VALVE, CHECK	8341-42-910A	1		
		REFER TO SERV. BULL. NO. 015/85 CAT. 4 FOR MORE INFO.				
42 750		BRACKET, CHECK VALVE	8871-42-920	1		
60 960A		GAUGE, FUEL TANK	FA54-60-960	1		
66 773A		GASKET, GAUGE	8871-60-962A	1	FROM FEB. '84 PROD.	FB33* .819695-

# 4300A-1 CLUTCH & BRAKE PEDALS



ITEM NO.	D-CODE	DESCRIPTION	PART NO.	QTY	MODEL/DESCRIPTION	REMARKS
18 660B		SWITCH, CLUTCH	H005-66-190B	1	M/T	
41 023		BUSHING, CLUTCH PEDAL	0727-41-023	1	M/T	
41 030		PEDAL, CLUTCH	FA54-41-030B	1	M/T	
41 040		SEAT, SPRING	W090-41-041	1		
41 043		SHEET, SPRING	0183-41-043	1	M/T	
41 051		ROD, CLUTCH PEDAL	0824-41-051A	1	M/T	
41 081A		SPRING, RETURN	0088-41-352A	1		
41 084		SPACER	0824-41-084	1	M/T	
41 131		ROD, PUSH	0727-41-131	1	M/T	
41 140		FORK, CLUTCH	0259-43-140	1	M/T	
41 308		SPRING, RETURN	0559-41-081A	1	M/T	
41 443A		GASKET	H001-41-443	1	A/T	
41 644A		BUSHING	0259-41-644	2	M/T	
43 022		BUSHING, PEDAL	1015-46-085	2	A/T	
				4	M/T	
43 028		PAD, PEDAL	S083-43-028	2	M/T	
			0225-43-028A	1	A/T	
43 029		RUBBER, STOPPER	B001-43-029	2	A/T	
				3	M/T	
43 030		PEDAL, BRAKE	FA54-43-030A	1	M/T	
			FA55-43-030	1	A/T	
43 041		REST, FOOT	FA54-43-041	1		
43 061A		PIPE, PEDAL	0866-43-062	1	A/T	
				2	M/T	
43 063		SPACER	FA16-43-063	1		
43 070		BRACKET, MASTER CYLINDER	FA54-43-070B	1		
43 090		PLATE	8672-43-090	1	A/T	
43 140		FORK, BRAKE	1524-43-140	1		
43 221		SPACER	B084-43-221	1		
46 683A		PIN	0223-46-683	1	M/T	
46 785A		PIN	0604-46-785	1	M/T	
67 210		SWITCH, STOP	B001-66-490A	1	W/O AUTO SPEED CONT (S, GS)	
			H003-66-490A	1	W/AUTO SPEED CONT (GSI, GSI-SE)	
86 202		PAD, FOOT REST	FA01-43-042	1		

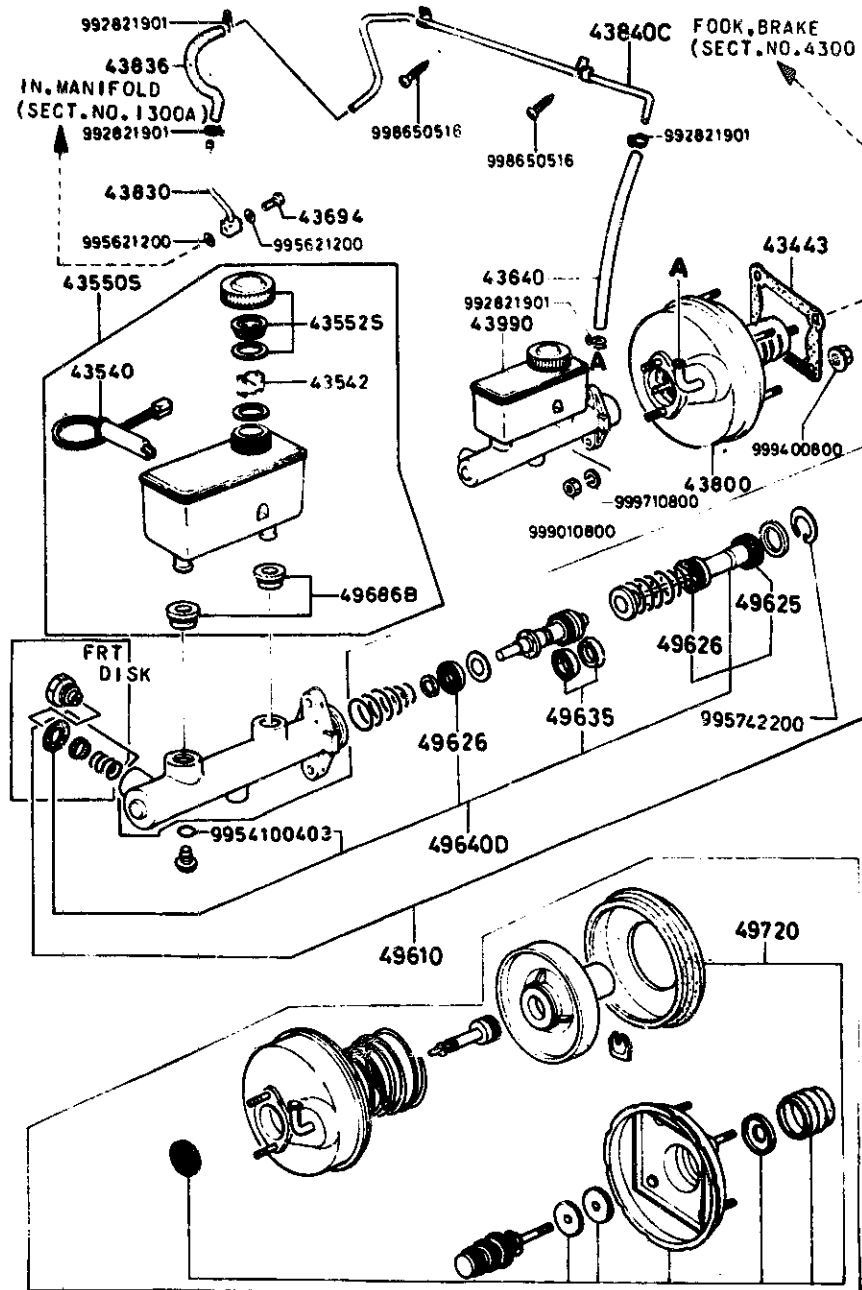
# 4340A-1 BRAKE MASTER CYLINDER & POWER BRAKE (REAR DRUM BRAKES) (S. GS)



ITEM NO.	D-CODE	DESCRIPTION	PART NO.	QTY	MODEL/DESCRIPTION	REMARKS
43 443		GASKET	H001-43-443	2		
43 540		INDICATOR, LEVEL	3597-43-540	1		
43 542		FLOAT	8531-43-542	1		
43 550S		TANK SET, RESERVE	FA07-49-680	1		
43 552S		CAP SET, RESERVE TANK	B093-49-580	1		
43 640		HOSE, VACUUM	G001-43-640	1		
43 694		BOLT, CONNECTOR	8573-43-694	1		
43 800		VACUUM POWER ASSIST	FA55-43-800	1		
43 830		PIPE, VACUUM,	1480-43-830A	1		
43 836		HOSE, VACUUM	B871-43-836	1		
43 840C		PIPE, VACUUM	FA01-43-840	1		
43 990		CYLINDER, TANDEM MASTER	FA07-43-400	1		
49 610		PARTS KIT, BRAKE MASTER	G001-49-610	1		
49 625		CUP, SECONDARY	1128-49-625	1		
49 626		CUP, PRIMARY	1128-49-626	2		
49 635		CUP, FLOATING	1128-49-635	2		
49 640D		PARTS KIT, INNER	G001-49-640	1		
49 652		BOLT, JOINT	G001-49-652	1		
49 686B		BUSHING, ELBOW JOINT	0305-49-686B	2		
49 720		REPAIR KIT	FA55-49-720	1		

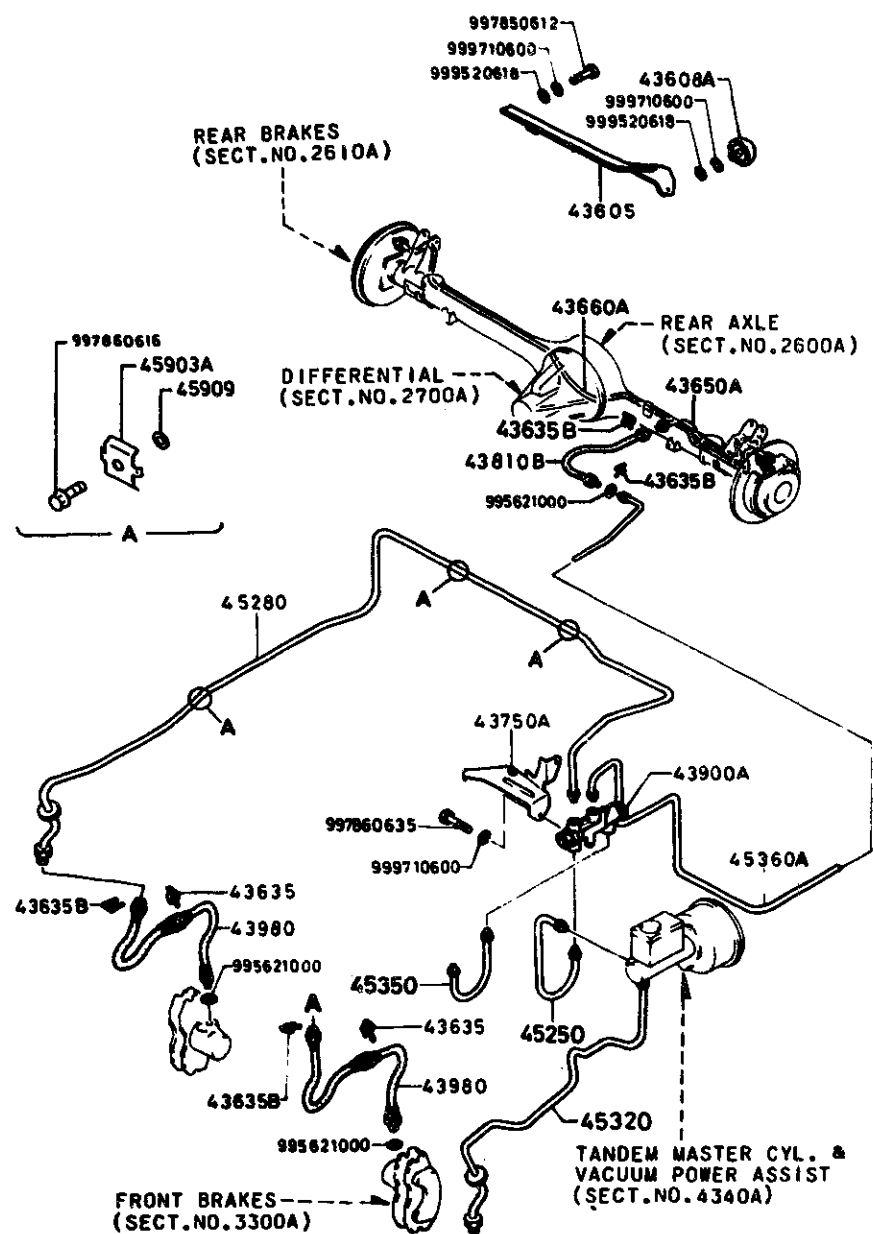


**4340AA-1 BRAKE MASTER CYLINDER & POWER BRAKE  
(REAR DISK BRAKES) (GSL, GSL-SE)**



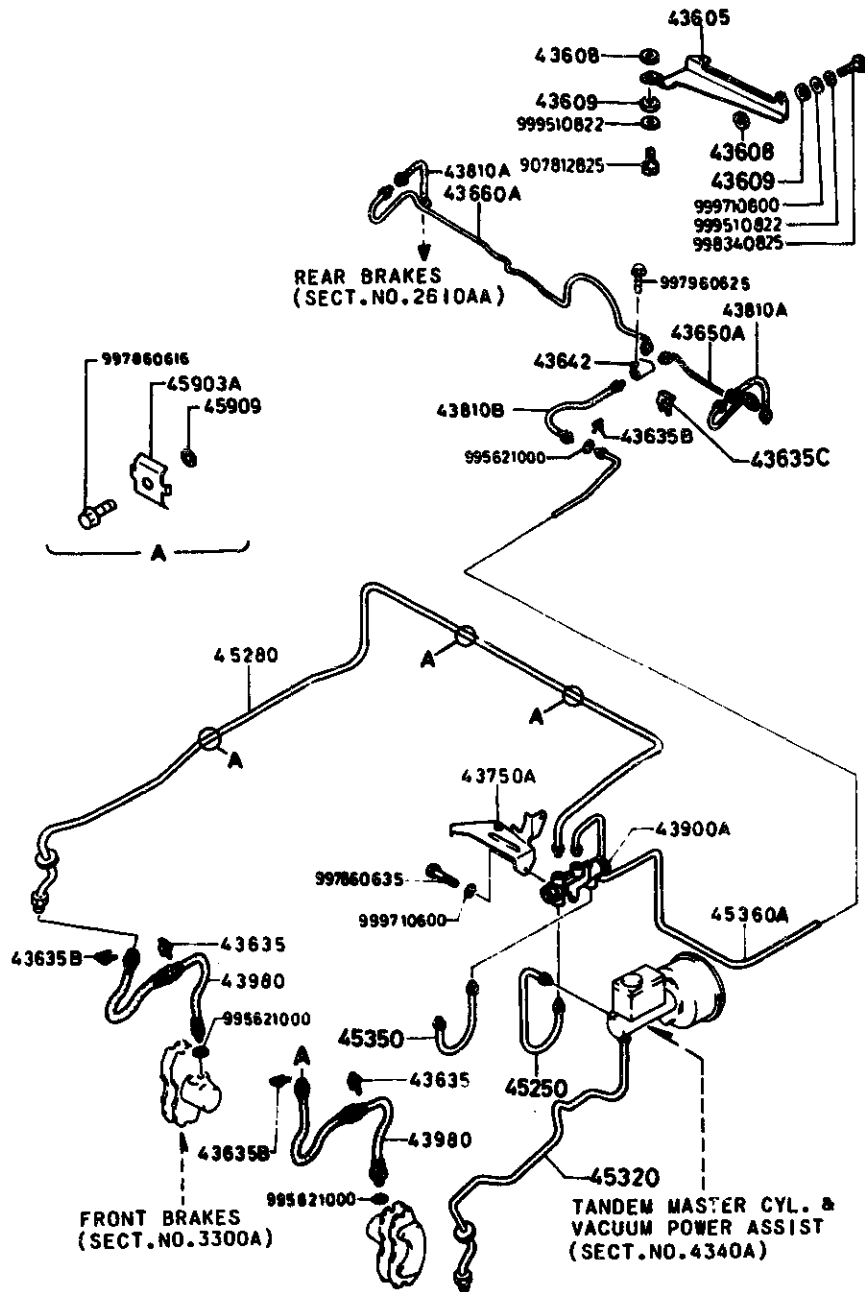
ITEM NO.	D-CODE	DESCRIPTION	PART NO.	QTY	MODEL/DESCRIPTION	REMARKS
43 443		GASKET	H001-43-443	2		
43 540		INDICATOR, LEVEL	3597-43-540	1		
43 542		FLOAT	8531-43-542	1		
43 550S		TANK SET, RESERVE	FA07-49-680	1		
43 552S		CAP SET, RESERVE TANK	8093-49-580	1		
43 640		HOSE, VACUUM	G001-43-640	1		
43 694		BOLT, CONNECTOR	8573-43-694	1		
43 800		VACUUM POWER ASSIST	FA55-43-800	1		
43 830		PIPE, VACUUM	1480-43-830A	1	12A (GSL)	
			H202-43-830	1	13B (GSL-SE)	
43 836		HOSE, VACUUM	8871-43-836	1	12A (GSL)	
			FA66-43-836	1	13B (GSL-SE)	
43 840C		PIPE, VACUUM	FA01-43-840	1		
43 990		CYLINDER, TANDEM MASTER	FA66-43-400	1		
49 610		PARTS KIT, BRAKE MAST	HA18-49-610A	1		
49 625		CUP, SECONDARY	FB01-49-625	1		
49 626		CUP, PRIMARY	0305-49-626	2		
49 635		CUP, FLOATING	FB01-49-625	2		
49 640D		PARTS KIT, INNER	HA18-49-640	1		
49 686B		BUSHING, ELBOW JOINT	0305-49-686B	2		
49 720		REPAIR KIT	FA55-49-720	1		

**4360A-1 BRAKE PIPING  
(REAR DRUM BRAKE) (S, GS)**



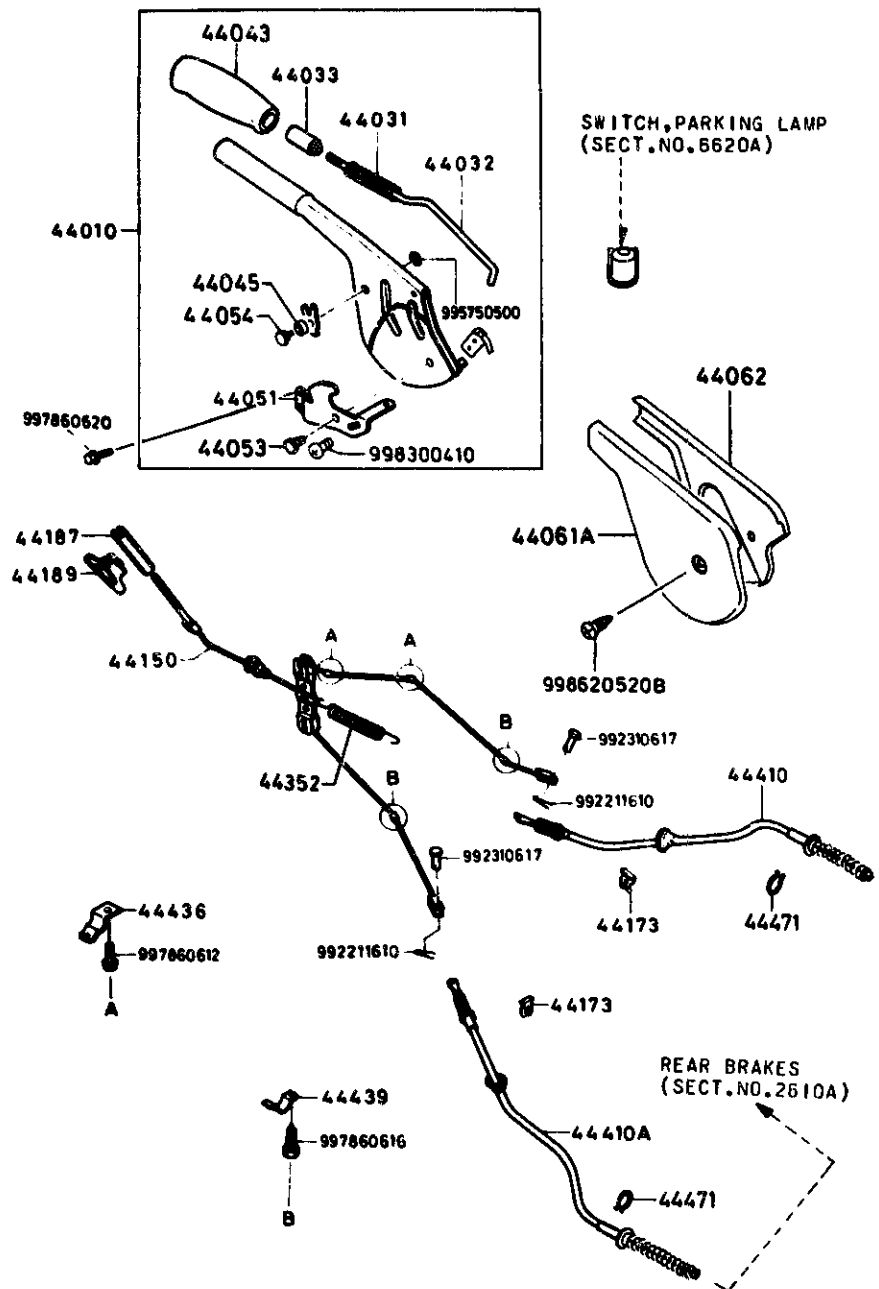
ITEM NO.	D-CODE	DESCRIPTION	PART NO.	QTY	MODEL/DESCRIPTION	REMARKS
43 605		PROTECTOR, BRAKE PIPE	8871-43-785A	1		
43 608A		SCREW, RUBBER	8871-43-608	1		
43 635		CLIP, FLEXIBLE HOSE	W023-43-635	2		
43 635B		CLIP, FLEXIBLE HOSE	W023-43-635	4		
43 650A		PIPE (L), BRAKE-REAR	FA07-43-650	1		
43 660A		PIPE (R), BRAKE-REAR	FA07-43-660	1		
43 750A		HOLDER, P.B. VALVE	FA07-43-750	1		
43 810B		HOSE NO. 1, FLEXIBLE	FA07-43-820	1		
43 900A		VALVE, P.B.	FA07-43-900	1		
43 980		HOSE, FLEXIBLE	FA66-43-980A	2		
45 250		PIPE, BRAKE-FRONT	FA07-43-360	1		
45 280		PIPE (R), BRAKE-FRONT	FA54-45-280	1	THRU OCT. '83 PROD.	FB33* .800001-806530
			FA54-45-280B	1	FROM NOV. '83 PROD.	FB33* .806531-
45 320		PIPE (L), BRAKE-FRONT	FA54-45-320A	1	THRU OCT. '83 PROD.	FB33* .800001-806530
			FA54-45-320C	1	FROM NOV. '83 PROD.	FB33* .806531-
45 350		PIPE, BRAKE-REAR	FA07-43-370	1		
45 360A		PIPE, BRAKE-REAR	FA54-45-360	1		
45 903A		CLIP	8173-45-903	2		
45 909		WASHER	8173-45-909	2		

**4360AA-1 BRAKE PIPING  
(REAR DISC BRAKE) (GSL, GSL-SE)**



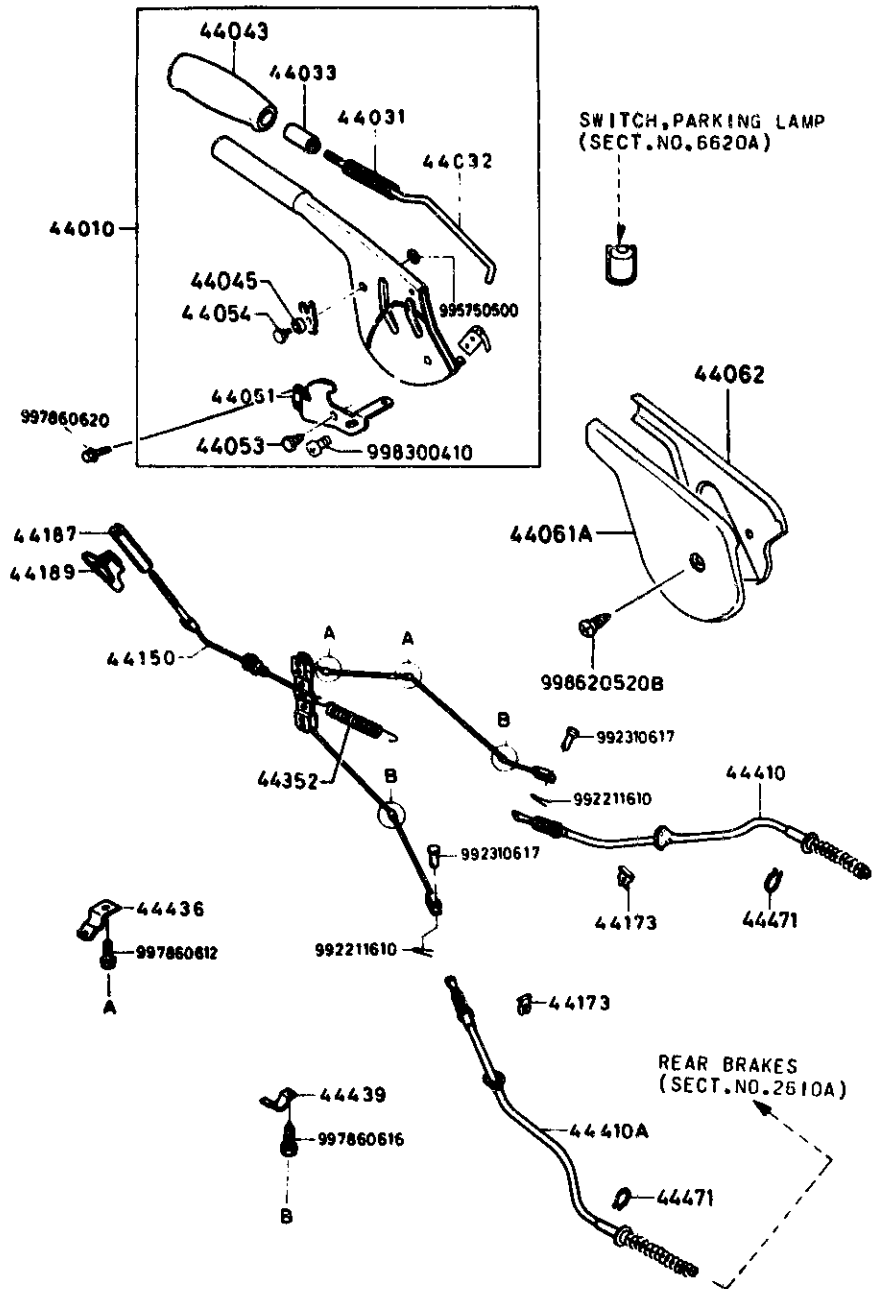
ITEM NO.	D-CODE	DESCRIPTION	PART NO.	QTY	MODEL/DESCRIPTION	REMARKS
43 605		PROTECTOR, BRAKE PIPE	FA18-43-605A	1		
43 608		SPACER	1114-43-608B	3		
43 609		RUBBER, CUSHION	1114-43-609A	3		
43 635		CLIP, FLEXIBLE HOSE	W023-43-635	2		
43 635B		CLIP, FLEXIBLE HOSE	W023-43-635	3		
43 635C		CLIP, HOSE	W023-43-635	2		
43 642		JOINT	FA18-43-642A	1		
43 650A		PIPE (L), BRAKE-REAR	FA18-43-650	1		
43 660A		PIPE (R), BRAKE-REAR	FA18-43-660	1		
43 750A		HOLDER, P.B. VALVE	FA07-43-750	1		
43 810A		HOSE NO. 1, FLEXIBLE	FA18-43-810	2		
43 810B		HOSE NO. 1, FLEXIBLE	FA18-43-820A	1		
43 900A		VALVE, P.B.	FA66-43-900	1		
43 980		HOSE, FLEXIBLE	FA66-43-980A	2		
45 250		PIPE, BRAKE-FRONT	FA07-43-360	1		
45 280		PIPE (R), BRAKE-FRONT	FA54-45-280B	1		
45 320		PIPE (L), BRAKE-FRONT	FA54-45-320C	1		
45 350		PIPE, BRAKE-REAR	FA07-43-370	1		
45 360A		PIPE, BRAKE-REAR	FA54-45-360	1		
45 903A		CLIP	8173-45-903	2		
45 909		WASHER	8173-45-909	2		

# 4400A-1 PARKING BRAKE SYSTEM



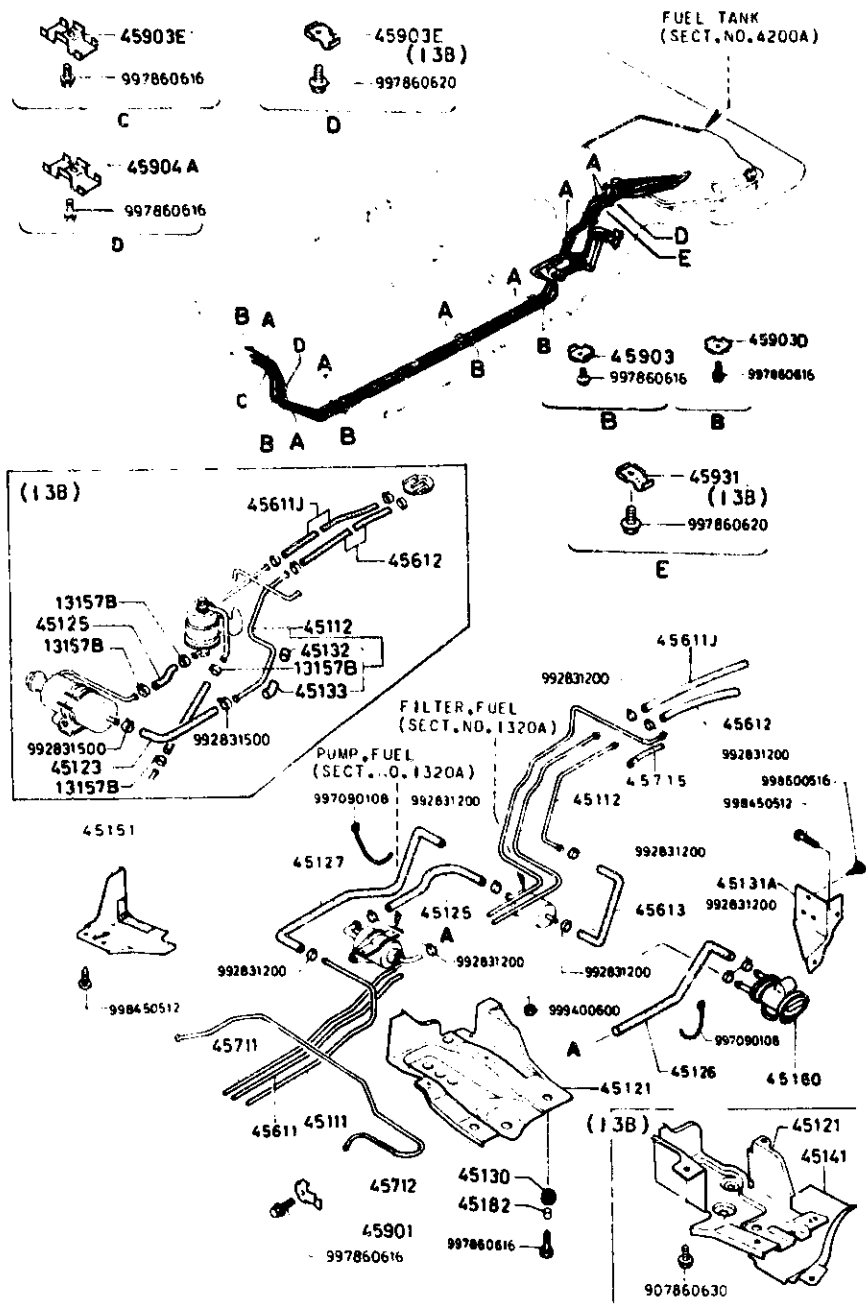
ITEM NO.	D-CODE	DESCRIPTION	PART NO.	QTY	MODEL/DESCRIPTION	REMARKS
44 010		LEVER, PARKING BRAKE	FA54-44-010E	1		
		RED	10			
		OFF-BLACK	65			
		LIGHT BROWN	78			
44 031		SPRING	FA54-44-031	1		
44 032		ROD, RELEASE	FA54-44-032	1	THRU SEP. '83 PROD.	FB33* ..800001-800881
44 033		BUTTON, RELEASE	0221-44-033	1		
		BLACK	00			
		RED	10			
		OFF-BLACK	65			
		LIGHT BROWN	78			
44 043		CAP	FA54-44-034	1		
		RED	10			
		OFF-BLACK	65			
		LIGHT BROWN	78			
44 045		STOPPER	B001-44-045	1		
44 051		SECTOR	FA54-44-051	1		
44 053		BOLT, HAND BRAKE LEVER	B037-44-053	1		
44 054		PIN	B037-44-054	1		
44 061A		COVER	FA54-44-061B	1		
		RED	10			
		OFF-BLACK	65			
		LIGHT BROWN	78			
44 062		COVER	FA54-44-062B	1		
		RED	10			
		OFF-BLACK	65			
		LIGHT BROWN	78			
44 150		CABLE, FRONT-PARK BRAKE	1480-44-150A	1		
44 173		CLIP	0118-44-375	1		
44 187		SCREW	0866-44-187A	1		
44 189		CLIP	0866-44-189	1		
44 352		SPRING, RETURN	0613-41-308	1		
44 410		CABLE (R), REAR-PARK	FA16-44-410B	1	12A (GSL) (REAR DISC BRAKE)	
			FA54-44-410A	1	12A (S, GS) (REAR DRUM BRAKE)	
			FA66-44-410	1	13B (GSL-SE)	
44 410A		CABLE (L), REAR-PARK	FA16-44-420A	1	12A (GSL) (REAR DISC BRAKE)	
			FA54-44-420A	1	12A (S, GS) (REAR DRUM BRAKE)	
			FA66-44-420	1	13B (GSL-SE)	

# 4400A-2 PARKING BRAKE SYSTEM



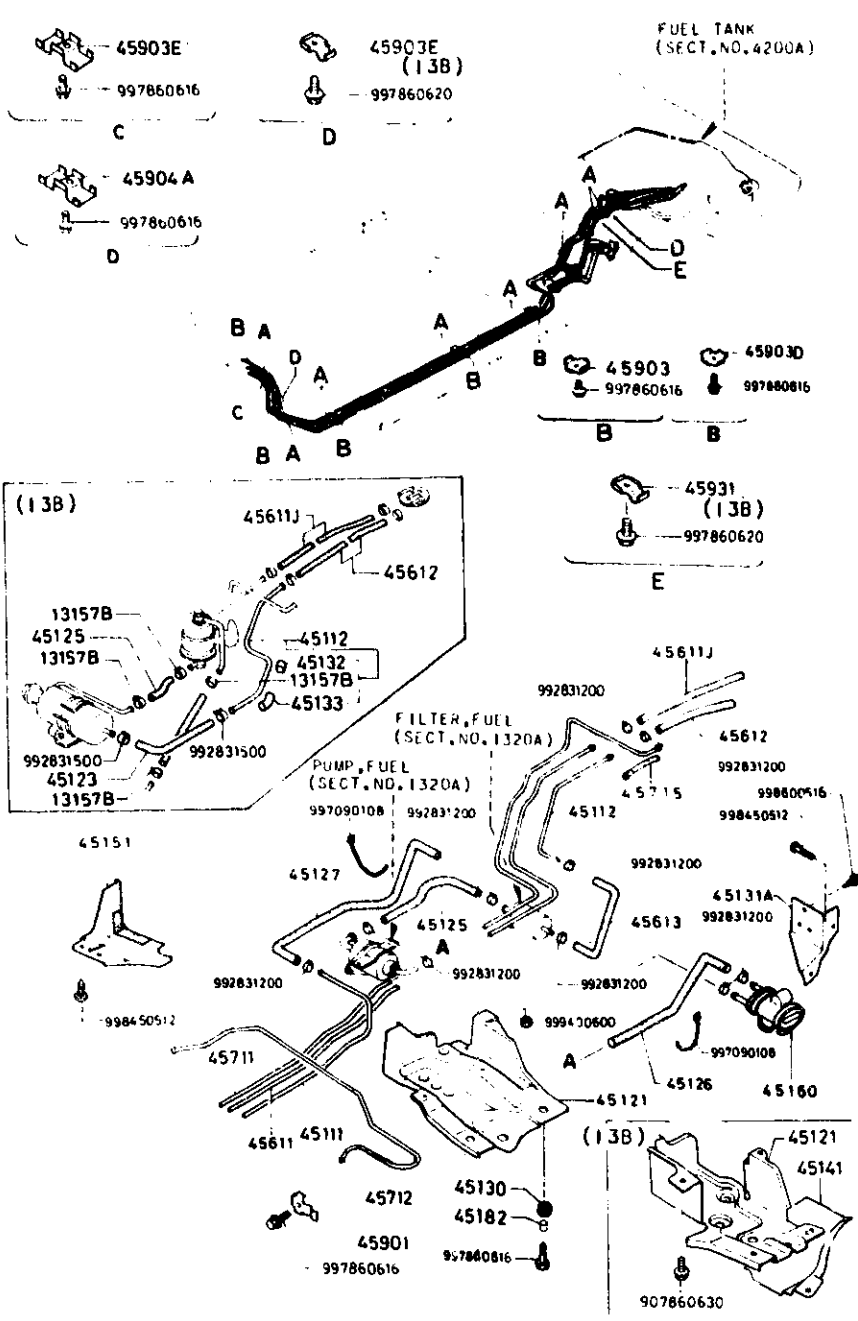
ITEM NO.	D-CODE	DESCRIPTION	PART NO.	QTY	MODEL/DESCRIPTION	REMARKS
44 436		CLIP	8871-44-439	2		
44 439		CLIP, CABLE	1011-44-439	2		
44 471		CLIP	0305-44-471	2		

# 4500A-1 FUEL PIPINGS



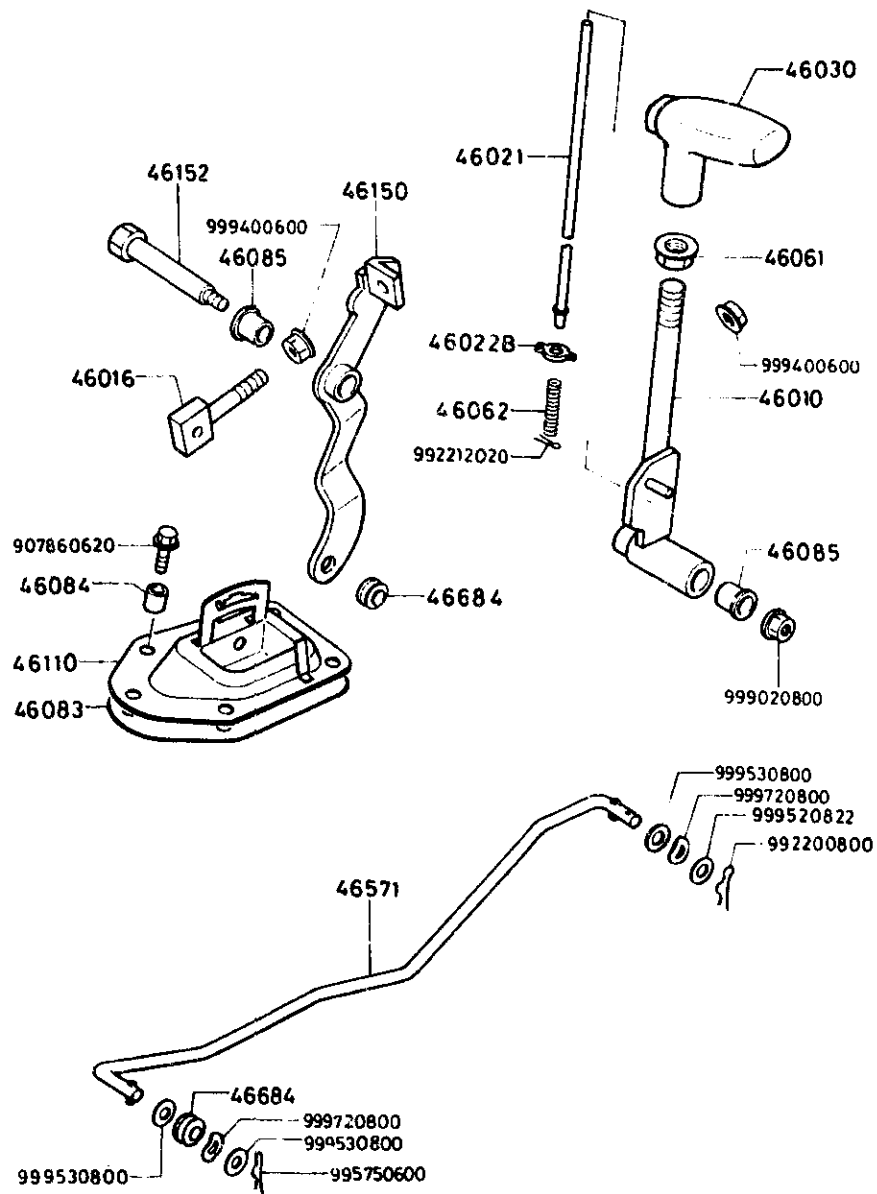
ITEM NO.	D-CODE	DESCRIPTION	PART NO.	QTY	MODEL/DESCRIPTION	REMARKS
13 157B		CLIP	8574-13-157	4	13B (GSI-SE)	
42 133		RUBBER, MTG.	FA66-45-133	1	13B (GSI-SE)	
45 111		PIPE, FUEL MAIN	FA42-45-111C	1	12A (S. GS. GSI)	
			FA66-45-111B	1	13B (GSI-SE)	
45 112		PIPE, FUEL MAIN	FA01-45-112	1	12A (S. GS. GSI)	
			FA66-45-130A	1	13B (GSI-SE)	
45 121		BRACKET, FUEL PUMP	FA23-45-160A	1	12A (S. GS. GSI)	
			FA66-45-160B	1	13B (GSI-SE)	
45 123		HOSE, FUEL	FA66-45-123A	1	13B (GSI-SE)	
45 125		HOSE, FUEL	9935-80-8999	1	12A (S. GS. GSI) BULK QTY	
			N326-13-416	1	13B (GSI-SE)	
45 126		HOSE, FUEL	FA42-45-125	1	12A (S. GS. GSI)	
45 127		HOSE, FUEL MAIN	FA42-45-126A	1	12A (S. GS. GSI)	
45 130		RUBBER, PUMP MOUNTING	FA23-45-181	3	12A (S. GS. GSI)	
45 131A		BRACKET, CUT VALVE	8871-45-131A	1	12A (S. GS. GSI)	
45 132		RUBBER, MTG.	FA66-45-132	2	13B (GSI-SE)	
45 141		COVER, FILTER	FA66-45-141A	1	13B (GSI-SE)	
45 151		PROTECTOR, FUEL PUMP	FA23-45-190A	1	12A (S. GS. GSI)	
45 160		VALVE-FUEL CUT	3919-45-170A	1	12A (S. GS. GSI)	
45 182		SPACER, MOUNT RUBBER	FA23-45-182	3	12A (S. GS. GSI)	
45 611		PIPE, FUEL RETURN	FA42-45-611D	1	12A (S. GS. GSI)	
			FA66-45-611B	1	13B (GSI-SE)	
45 611J		HOSE, FUEL RETURN	9935-80-6999	1	12A (C. GS. GSI) BULK QTY	
			9935-80-8999	1	13B (GSI-SE) BULK QTY	
45 612		HOSE, FUEL	9935-80-8999	1	12A (S. GS. GSI) BULK QTY.	
			9935-81-2999	1	13B (GSI-SE) BULK QTY. THRU JAN. '84 PROD.	FB33* ..80001-823267
			FA66-42-621	1	13B (GSI-SE) FROM FEB. '84 PROD.	FB33* ..823268-
45 613		HOSE, FUEL	8344-45-123	1	12A (S. GS. GSI)	
45 711		PIPE, EVAPORATION	FA42-45-711C	1		
45 712		PIPE, EVAPORATION	FA42-45-712B	1	12A (S. GS. GSI)	
			FA66-45-712A	1	13B (GSI-SE)	
45 715		PROTECTOR PIPE	8871-45-715	1		
45 901		CLIP, PIPE	8173-45-901A	1		
45 903		CLIP, PIPE	8173-45-903	8	12A (S. GS. GSI)	
				1	13B (GSI-SE)	
45 903D		CLIP, PIPE	8171-45-903A	5	12A (S. GS. GSI)	
				12	13B (GSI-SE)	

**4500A-2 FUEL PIPINGS**



ITEM NO.	D-CODE	DESCRIPTION	PART NO.	QTY	MODEL/DESCRIPTION	REMARKS
45 903E		CLIP	FA42-45-903	1	12A (S. GS. GSU)	
			FA66-45-903	2	13B (GSI-5B)	
45 904A		CLIP, PIPE	FA42-45-904	1	12A (S. GS. GSU)	
45 931		CLIP, PIPE	FA66-45-931	1	13B (GSI-5B)	

**4600A-1 CHANGE CONTROLS (A/T)**



ITEM NO.	D-CODE	DESCRIPTION	PART NO	QTY	MODEL/DESCRIPTION	REMARKS
46 010		LEVER, SELECT	FA55-46-010	1		
46 016		BOLT	M002-46-016A	1		
46 021		ROD	FA55-46-021	1		
46 022B		PIN, GUIDE	8174-46-022	1		
46 030		KNOB, CHANGE LEVER	FA55-46-030	1		
		RED	10			
		OFF-BLACK	65			
		BROWN	79			
46 061		NUT	8202-46-061A	1		
46 062		SPRING	2375-46-062	1		
46 083		RUBBER SEAL	FA55-46-083	1		
46 084		SPACER	1481-46-084A	5		
46 085		BUSHING	M002-46-085	2		
46 110		BRACKET, LEVER	FA55-46-110A	1		
46 150		LEVER	FA55-46-150	1		
46 152		SPINDLE	M002-46-152	1		
46 571		ROD	FA55-46-571	1		
46 684		BUSHING	1015-46-684A	2		