

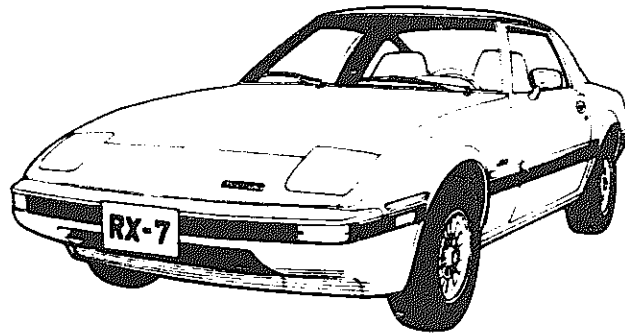
This file is available for free download at <http://www.iluvmyrx7.com>



[www.iluvmyrx7.com](http://www.iluvmyrx7.com)

# Parts Catalog

Mazda RX-7  
U.S.A.  
( '81-'83 )

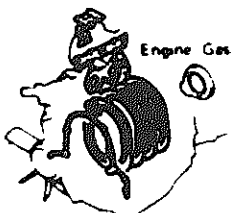


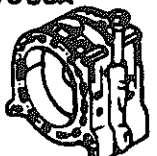

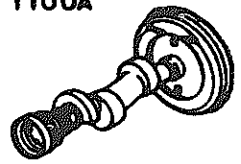


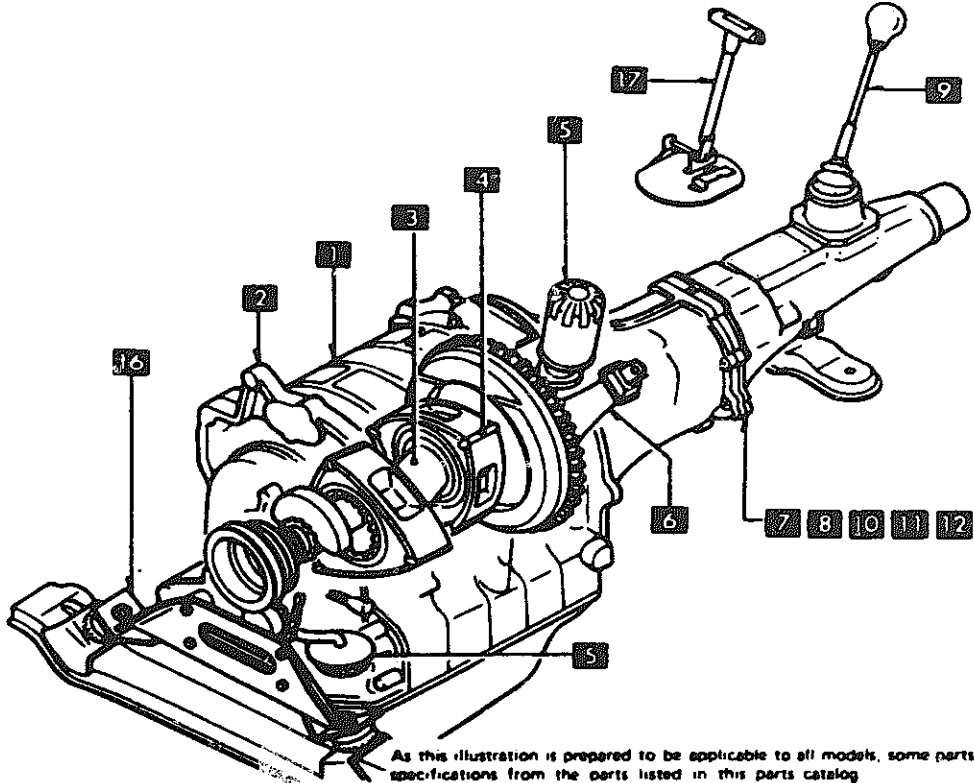
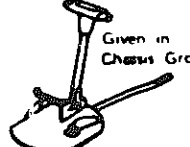

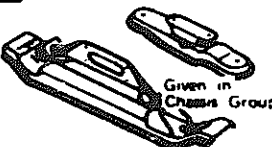
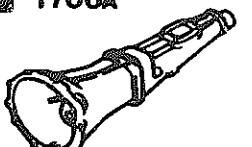

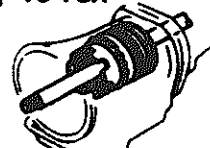


(FB331-500001 ~ ) (Mazda Rotary Engine Licensed by NSU-WANKELE)

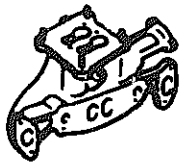

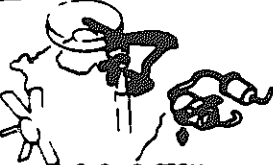
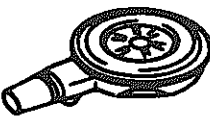


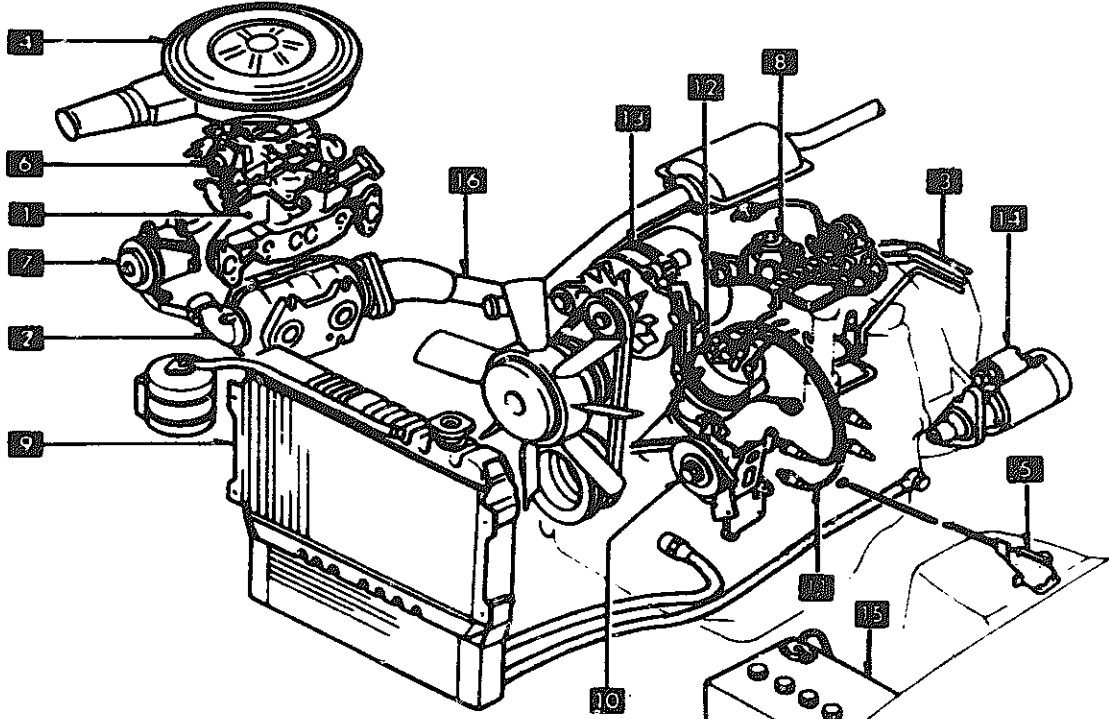
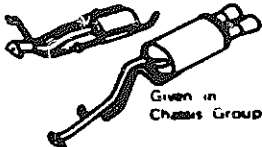

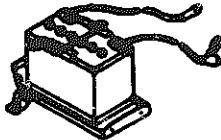




April '92

**MAZDA**

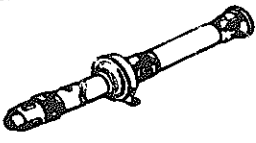
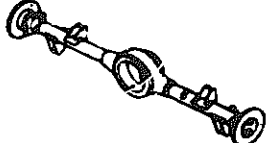


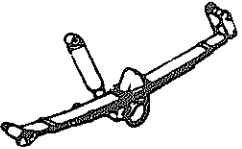
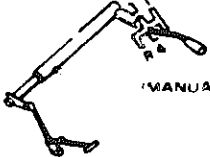

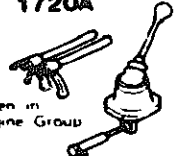
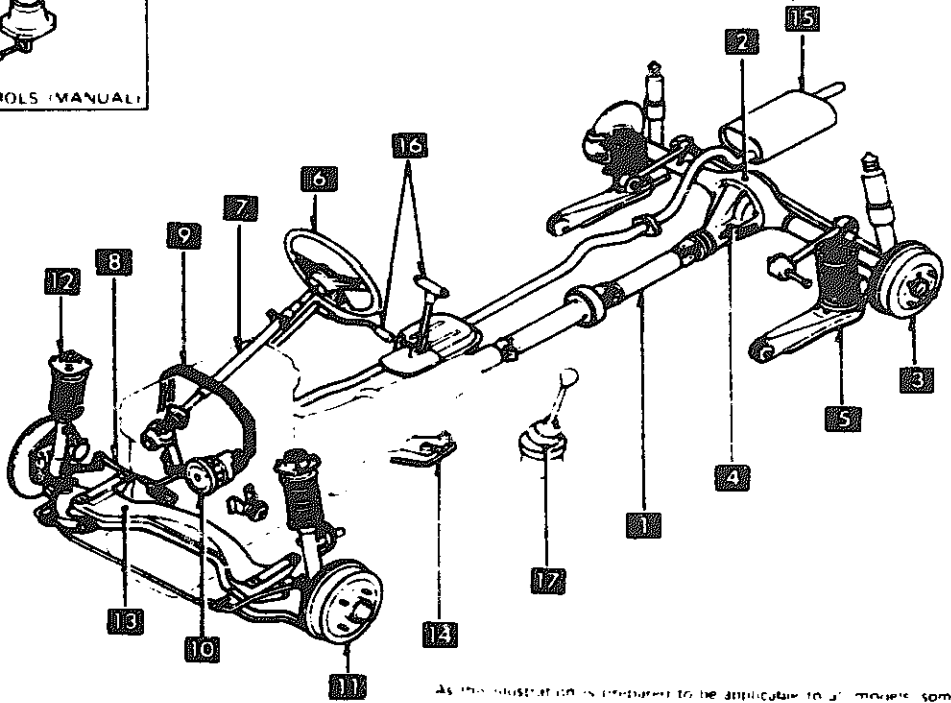

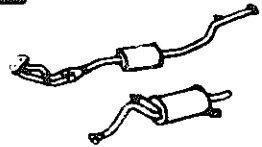

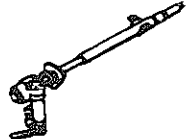
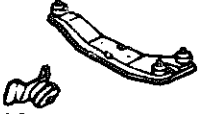

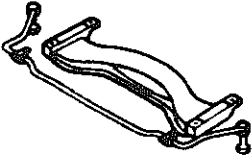



# PICTORIAL INDEX

<p><b>1000A</b></p>  <p>Engine Gaskets</p>  <p>Transmission Gaskets</p>  <p>SHORT ENGINE &amp; GASKET SETS</p>	<p><b>1030A</b></p>  <p>ROTOR HOUSING</p>	<p><b>1040A</b></p>  <p>OIL PAN &amp; FRONT &amp; REAR HOUSINGS</p>	<p><b>1100A</b></p>  <p>ECCENTRIC SHAFT &amp; FLYWHEEL</p>	<p><b>1110A</b></p>  <p>ROTOR &amp; RELATED</p>	<p><b>1400A</b></p>  <p>OIL PUMP &amp; FILTER</p>
<p><b>ROTARY ENGINE (1/2)</b></p> 					
<p><b>17400A</b></p> <p>Given in Chassis Group</p>  <p>CHANGE CONTROLS (MANUAL)</p>	<p>As this illustration is prepared to be applicable to all models, some parts are different in specifications from the parts listed in this parts catalog</p>				<p><b>1600A</b></p>  <p>CLUTCH (MANUAL)</p>
<p><b>16300A</b></p> <p>Given in Chassis Group</p>  <p>ENGINE &amp; TRANSMISSION MOUNTINGS</p>					<p><b>1700A</b></p>  <p>TRANSMISSION CASE (MANUAL)</p>
<p><b>1950A</b></p>  <p>MANUAL LINKAGE (AUTOMATIC TRANSMISSION)</p>					<p><b>1940A</b></p>  <p>LOW, REVERSE &amp; GOVERNOR (AUTOMATIC TRANSMISSION)</p>

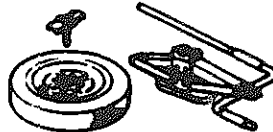


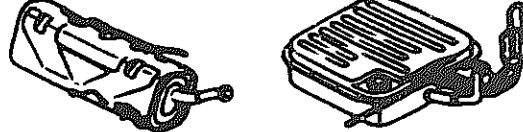

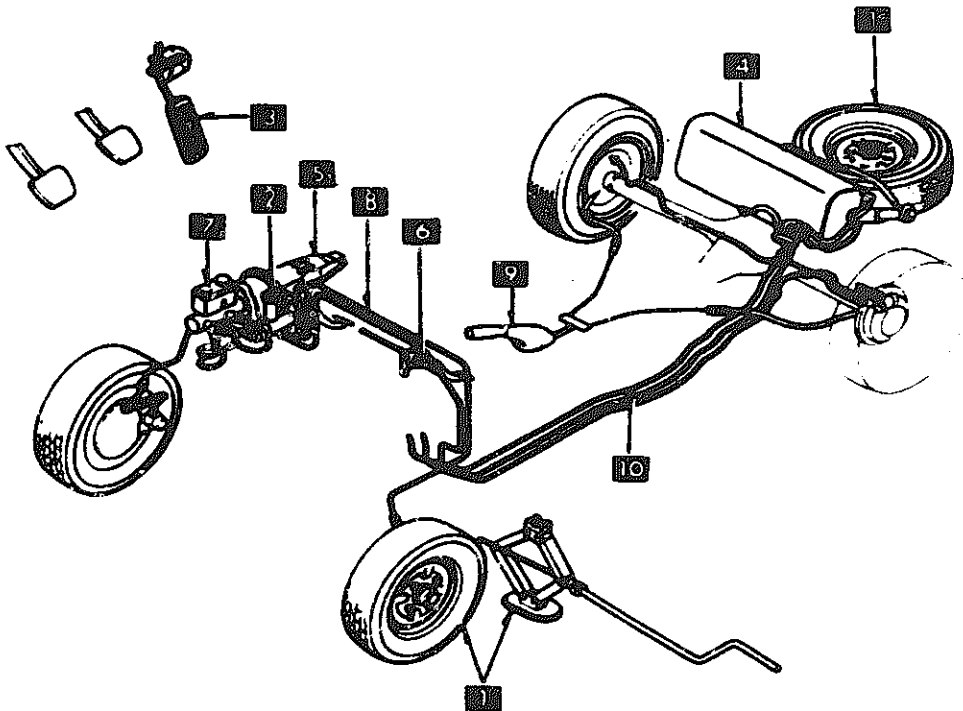
# PICTORIAL INDEX

<p><b>1300A</b></p>  <p>IN MANIFOLD</p>	<p><b>1310A</b></p>  <p>THERMAL REACTOR</p>	<p><b>1320A</b></p>  <p>FUEL SYSTEM</p>	<p><b>1330A</b></p>  <p>AIR CLEANER</p>	<p><b>1350A</b></p>  <p>STARTING ASSIST SYSTEM</p>	<p><b>6 1360A</b></p>  <p>CARBURETOR</p>					
<p><b>ROTARY ENGINE (2/2)</b></p>  <p>As this illustration is prepared to be applicable to all models, some parts are different in specifications from the parts listed in this parts catalog</p>										
<p><b>16 4000A</b></p>  <p>Given in Chassis Group</p> <p>EX SYSTEM</p>					<p><b>7 1371A</b></p>  <p>EMISSION CONTROLS (AIR PUMP &amp; CONTROL VALVE)</p>					
<p><b>15 1850A</b></p>  <p>BATTERY &amp; CABLES</p>						<p><b>15 1840A</b></p>  <p>STARTER</p>	<p><b>15 1830A</b></p>  <p>ALTERNATOR</p>	<p><b>12 1820A</b></p>  <p>DISTRIBUTOR</p>	<p><b>16 1800A</b></p>  <p>Regulator V Belt Spark Plug Ignition Coil</p> <p>ELECTRICAL SYSTEM (ENGINE)</p>	

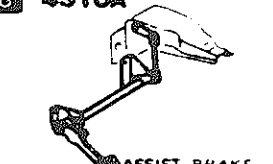
# PICTORIAL INDEX

<p><b>1 2500A</b></p>  <p>PROPELLER SHAFT</p>	<p><b>2 2600A</b></p>  <p>REAR AXLE</p>	<p><b>3 2610A</b></p>  <p>REAR BRAKES</p>	<p><b>4 2700A</b></p>  <p>DIFFERENTIAL</p>	<p><b>5 2800A</b></p>  <p>REAR SUSPENSION</p>
<p><b>13 4600A</b></p>  <p>(MANUAL)</p>  <p>(AUTOMATIC)</p> <p>CHANGE CONTROLS</p>	<p><b>17 1720A</b></p> <p>Given in Engine Group</p>  <p>CHANGE CONTROLS (MANUAL)</p>	<p><b>CHASSIS (1/2)</b></p>  <p>As this illustration is prepared to be applicable to all models, some parts are different in specifications from the parts shown in this parts catalog.</p>		<p><b>6 3200A</b></p>  <p>STEERING WHEEL</p>
<p><b>15 4000A</b></p>  <p>EX SYSTEM</p>	<p><b>12 3410A</b></p>  <p>FRONT SUSPENSION</p>			<p><b>7 3210A</b></p>  <p>STEERING GEAR &amp; COLUMN</p>
<p><b>14 3900A</b></p>  <p>ENGINE &amp; TRANSMISSION MOUNTINGS</p>				<p><b>8 3230A</b></p>  <p>STEERING LINKAGE</p>
<p><b>12 3410A</b></p>  <p>CROSSMEMBER &amp; STABILIZER</p>				<p><b>11 3300A</b></p>  <p>FRONT AXLE &amp; BRAKES</p>
<p><b>12 3400A</b></p>  <p>FRONT SUSPENSION</p>		<p><b>10 3260A</b></p>  <p>LANE PUMP POWER STEERING</p>		

# PICTORIAL INDEX

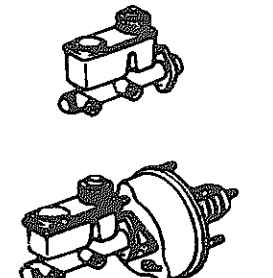
<p><b>1 3700A</b></p>  <p>TIRE &amp; JACK</p>	<p><b>2 4140A</b></p>  <p>CLUTCH RELEASE &amp; MASTER CYLINDERS</p>	<p><b>3 4160A</b></p>  <p>ACCELERATOR CONTROLS</p>	<p><b>4 4200A</b></p>  <p>FUEL TANK</p>	<p><b>5 4300A</b></p>  <p>CLUTCH &amp; BRAKE</p>
<p><b>CHASSIS (2/2)</b></p>				
 <p>As this illustration is prepared to be applicable to all models some parts are different in specifications from the parts listed in this parts catalog</p>				

**6 4310A**




ASSIST BRAKE  
(FOR DRIVING SCHOOL)

**7 4340A**



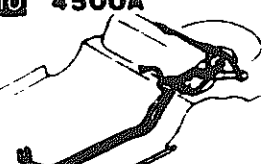
TANDEM MASTER CYL &  
VACUUM POWER ASSIST SYSTEM

**8 4360A**




BRAKE PIPING

**10 4500A**




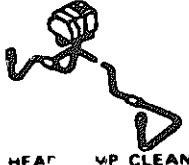


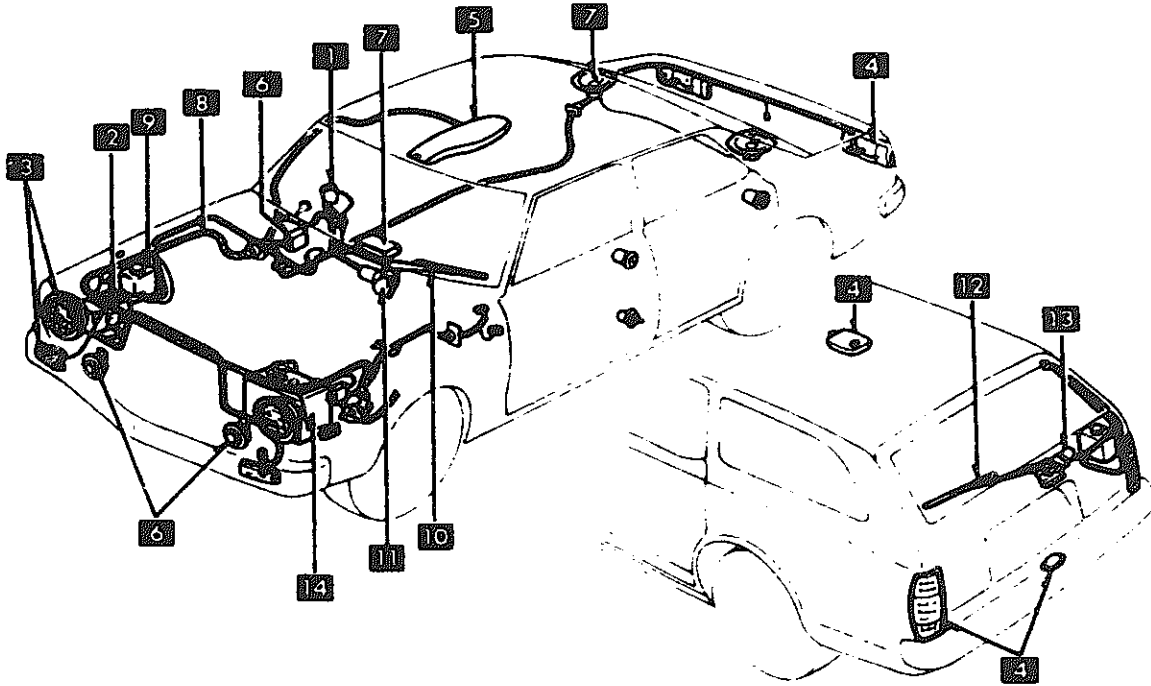
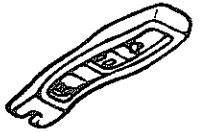
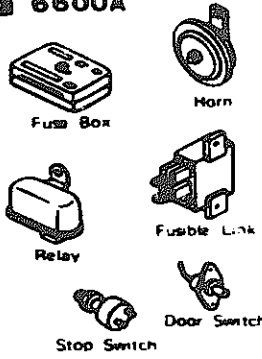
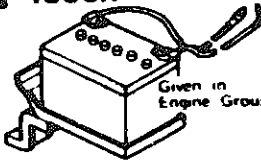
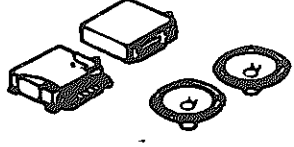

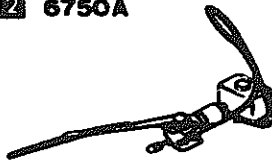




FUEL & EVAPORATION PIPINGS

**9 4400A**

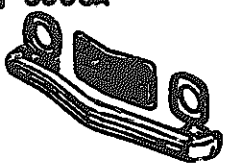
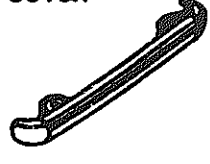
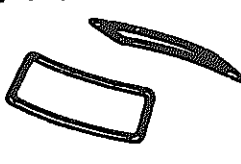
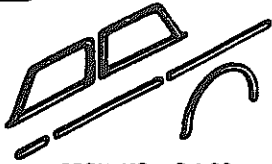
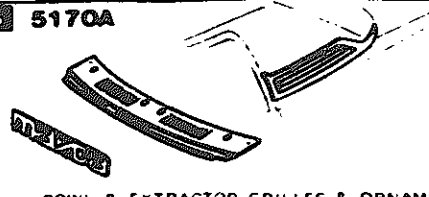
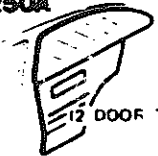
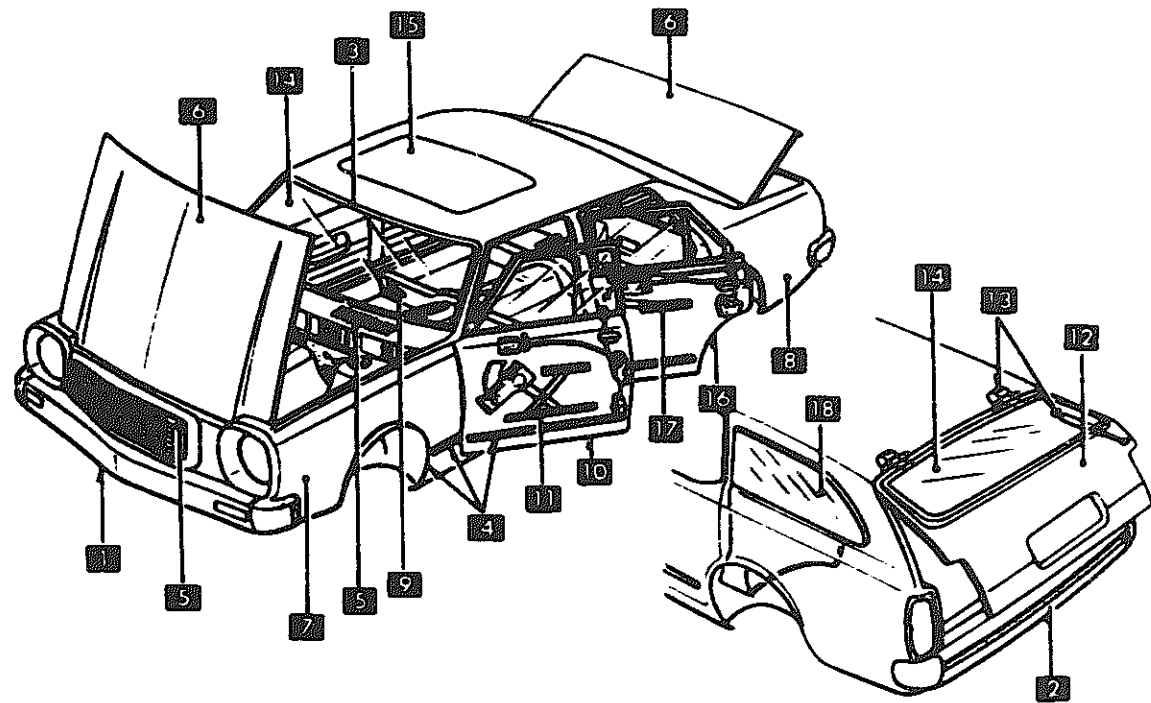
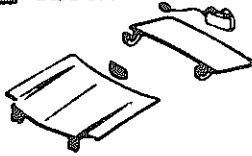





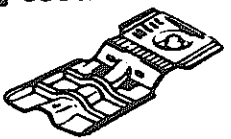
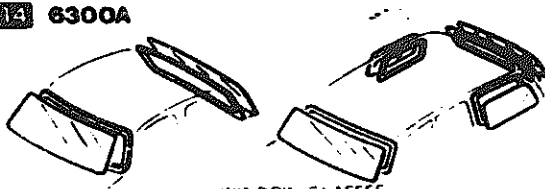
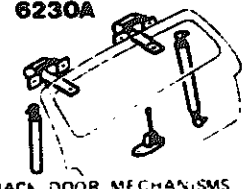
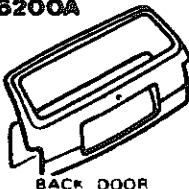
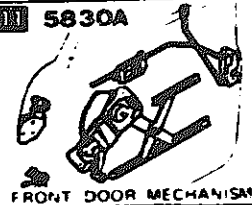
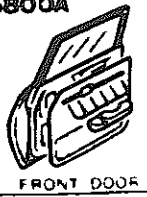


PARKING BRAKE SYSTEM

# PICTORIAL INDEX

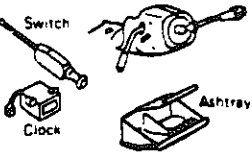
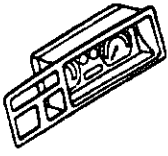
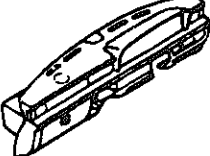
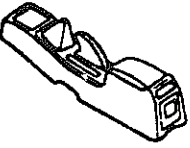
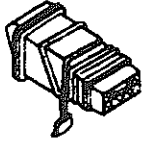

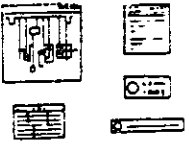
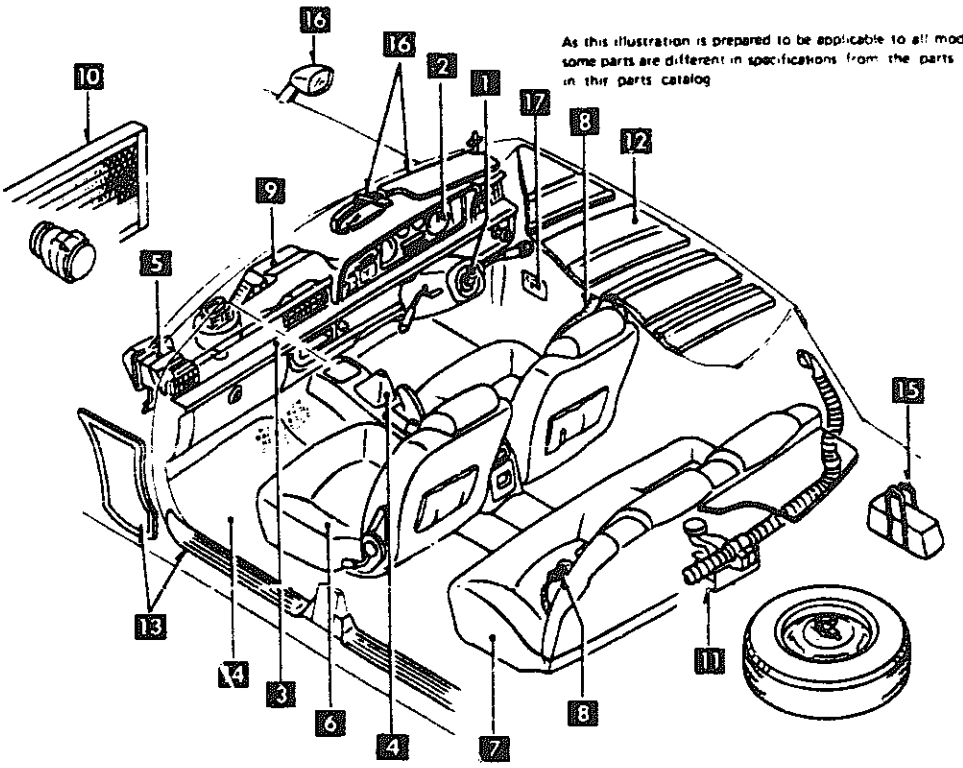
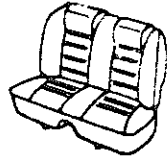

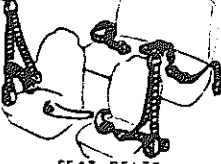
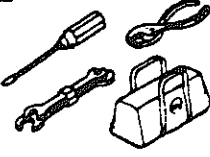
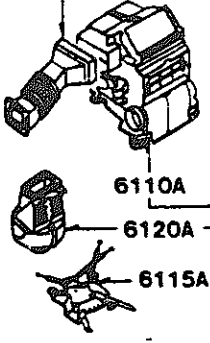
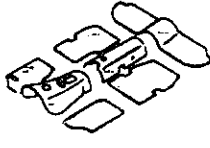
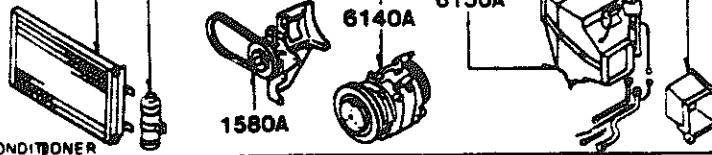
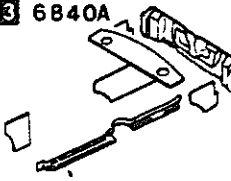

<p><b>1 0900A</b></p>  <p>KEY SETS</p>	<p><b>2 5020A</b></p>  <p>HEAT WIP CLEANER</p>	<p><b>3 5100A</b></p>  <p>LAMPS (FRONT &amp; SIDE)</p>	<p><b>4 5110A</b></p>  <p>LAMPS (REAR &amp; INTERIOR)</p> <p>Interior Lamp Licence Lamp</p>	
<p><b>BODY(1/3)</b></p>				
			<p><b>5 5130A</b></p>  <p>OVERHEAD CONSOLE</p>	
			<p><b>6 6600A</b></p>  <p>Fuse Box Horn Relay Fusible Link Stop Switch Door Switch</p> <p>ELECTRIC EQUIPMENT (BODY)</p>	
<p><b>14 1850A</b></p>  <p>Given in Engine Group</p> <p>BATTERY &amp; CABLES</p>			<p><b>7 6680A</b></p>  <p>RADIO &amp; STEREO SYSTEMS</p>	
<p><b>13 6780A</b></p>  <p>REAR WINDOW WIPER MOTOR (COMPONENTS ONLY)</p>			<p>As this illustration is prepared to be applicable to all models some parts are different in specifications from the parts listed in this parts catalog</p>	
<p><b>12 6750A</b></p>  <p>REAR WINDOW WIPER &amp; WASHER</p>	<p><b>11 6740A</b></p>  <p>WIPER MOTOR (COMPONENTS ONLY)</p>	<p><b>10 6730A</b></p>  <p>WINDSHIELD WIPER</p>	<p><b>9 6720A</b></p>  <p>WINDSHIELD WASHER</p>	<p><b>8 6700A</b></p>  <p>WIRE HARNESS &amp; CLAMPS</p>

# PICTORIAL INDEX

<p><b>1</b> 5000A</p>  <p>FRONT BUMPER &amp; GRILLE</p>	<p><b>2</b> 5010A</p>  <p>REAR BUMPER</p>	<p><b>3</b> 5030A</p>  <p>WINDOW MOULDINGS</p>	<p><b>4</b> 5040A</p>  <p>BODY MOULDINGS</p>	<p><b>5</b> 5170A</p>  <p>COWL &amp; EXTRACTOR GRILLES &amp; ORNAMENTS</p>
<p><b>8</b> 7250A</p>  <p>REAR WINDOW GLASS &amp; TRIM</p>	<p><b>BODY(2/3)</b></p>  <p style="font-size: small; text-align: center;">As this illustration is prepared to be applicable to all models, some parts are different in specifications from the parts listed in this parts catalog</p>			<p><b>6</b> 5230A</p>  <p>BONNET &amp; TRUNK LID</p>
<p><b>17</b> 7230A</p>  <p>REAR DOOR MECHANISMS</p>				<p><b>7</b> 5310A</p>  <p>BODY PANELS (FRONT)</p>
<p><b>16</b> 7200A</p>  <p>REAR DOOR</p>				<p><b>8</b> 5340A</p>  <p>BODY PANELS (SIDE &amp; ROOF)</p>
<p><b>15</b> 6330A</p>  <p>SUNROOF</p>				<p><b>9</b> 5360A</p>  <p>BODY PANELS (FLOOR)</p>
<p><b>14</b> 6300A</p>  <p>WINDOW GLASSES</p>	<p><b>13</b> 6230A</p>  <p>BACK DOOR MECHANISMS</p>	<p><b>12</b> 6200A</p>  <p>BACK DOOR</p>	<p><b>11</b> 5830A</p>  <p>FRONT DOOR MECHANISMS</p>	<p><b>10</b> 5800A</p>  <p>FRONT DOOR</p>



# PICTORIAL INDEX

<b>1 5500A</b>  Switch Clock Ashtray <b>DASHBOARD EQUIPMENT</b>	<b>2 5540A</b>  <b>METERS</b>	<b>3 5560A</b>  <b>DASHBOARD &amp; RELATED</b>	<b>4 5570A</b>  <b>CONSOLE</b>	<b>5 5580A</b>  <b>VENTILATOR</b>	<b>6 5700A</b>  <b>FRONT SEAT</b>
<b>17 6930A</b>  <b>CAUTION PLATES</b>	<div style="text-align: center;"> <b>BODY(3/3)</b>                  As this illustration is prepared to be applicable to all models, some parts are different in specifications from the parts listed in this parts catalog.             </div> 				<b>7 5720A</b>  <b>REAR SEAT</b>
<b>16 6900A</b>  <b>VISOR, ASSIST HANDLE &amp; MIRRORS</b>					<b>8 5760A</b>  <b>SEAT BELTS</b>
<b>15 6870A</b>  <b>SERVICE TOOLS</b>					<b>9 6100A</b>  6110A 6120A 6115A <b>HEATER</b>
<b>14 6860A</b>  <b>FLOOR MATS &amp; PADS</b>					<b>10 6130A</b> (ENGINE GROUP)  1580A 6140A 6150A <b>AIR CONDITONER</b>
<b>13 6840A</b>  <b>TRIM &amp; SCUFF PLATE</b>					<b>12 6880A</b>  <b>CEILING TRIM</b>

# MODEL IDENTIFICATION

## MAZDA RX-7

(1981 MODELS MANUFACTURED FROM JULY 1980.)

(1982 MODELS MANUFACTURED FROM MAY 1981.)

(1983 MODELS MANUFACTURED FROM JULY 1982.)

MDL NO.	STATE		ENG	T/ M		BRAKE		ROOF		YEAR				VIN
	C A L I F O R N I A	F E D E R A L	R 12A	M A U T O M A T I C	A U T O M A T I C	F R O N T D I S C	4 W H E E L D I S C	S U N R O O F	N O R M A L R O O F	1 9 8 1	1 9 8 2	1 9 8 3	1 9 8 4	
FA02	CAL		12	58		F			H/R	X				FB331-500001-600000
FA03	CAL		12	58		F		S/R		X				FB331-500001-600000
FA04	CAL		12		A/T	F			H/R	X				FB331-500001-600000
FA05	CAL		12		A/T	F		S/R		X				FB331-500001-600000
FA20	CAL		12	58			F/R	S/R		X				FB331-500001-600000
FA21	CAL		12		A/T		F/R	S/R		X				FB331-500001-600000

# MODEL IDENTIFICATION

## MAZDA RX-7

(1981 MODELS MANUFACTURED FROM JULY 1980.)

(1982 MODELS MANUFACTURED FROM MAY 1981.)

(1983 MODELS MANUFACTURED FROM JULY 1982.)

MDL NO.	STATE		ENG	T/ M		BRAKE		ROOF		YEAR				VIN
	C A L I F O R N I A	F E D E R A L	R 12A	M A U T O M A T I C	A U T O M A T I C	F R O N T D I S C	4 W H E E L D I S C	S U N R O O F	N O R M A L R O O F	1 9 8 1	1 9 8 2	1 9 8 3	1 9 8 4	
FA07		FED	12	58		F			H/R	X				FB331-500001-600000
FA08		FED	12		A/T	F			H/R	X				FB331-500001-600000
FA09		FED	12	58		F		S/R		X				FB331-500001-600000
FA10		FED	12		A/T	F		S/R		X				FB331-500001-600000
FA18		FED	12	58			F/R	S/R		X				FB331-500001-600000
FA19		FED	12		A/T		F/R	S/R		X				FB331-500001-600000
FA32	CAL		12	58		F			H/R	X				FB331-600001-700000

# MODEL IDENTIFICATION

## MAZDA RX-7

(1981 MODELS MANUFACTURED FROM JULY 1980.)

(1982 MODELS MANUFACTURED FROM MAY 1981.)

(1983 MODELS MANUFACTURED FROM JULY 1982.)

MDL NO.	STATE		ENG		T/M		BRAKE		ROOF		YEAR				VIN
	C	F	R	M	A	F	4	S	N	1	1	1	1		
	AL	DE	OT	HA	UT	FR	WH	EH	OR	9	9	9	9		
	IF	ER	TA	NE	OM	ON	EE	RR	HM	8	8	8	8		
	OR	EA	RY	UA	AT	NT	RL	RO	AL	1	2	3	4		
	NI	AL		L	T	D	D	F	L						
	A			S	C	I	I	R	R						
				PE	S	S	S	RO	OO						
				ED	PC	PC	PC	OF	OF						
FA34	CAL		12	58		F		S/R			X			FB331-600001-700000	
FA35	CAL		12		A/T	F		S/R			X			FB331-600001-700000	
FA40	CAL		12	58			F/R	S/R			X			FB331-600001-700000	
FA41	CAL		12		A/T		F/R	S/R			X			FB331-600001-700000	
FA30		FED	12	58		F			N/R		X			FA331-600001-700000	
FA31		FED	12		A/T	F			N/R		X			FB331-600001-700000	

# MODEL IDENTIFICATION

## MAZDA RX-7

(1981 MODELS MANUFACTURED FROM JULY 1980.)

(1982 MODELS MANUFACTURED FROM MAY 1981.)

(1983 MODELS MANUFACTURED FROM JULY 1982.)

MDL NO.	STATE		ENG		T/M		BRAKE		ROOF		YEAR				VIN
	C	F	R	M	A	F	4	S	N	1	1	1	1		
	AL	DE	OT	HA	UT	FR	WH	EH	OR	9	9	9	9		
	IF	ER	TA	NE	OM	ON	EE	RR	HM	8	8	8	8		
	OR	EA	RY	UA	AT	NT	RL	RO	AL	1	2	3	4		
	NI	AL		L	T	D	D	F	L						
	A			S	C	I	I	R	RO						
				PE	S	S	S	RO	OF						
				ED	PC	PC	PC	OF	OF						
FA36		FED	12	58		F		S/R			X			FB331-600001-700000	
FA37		FED	12		A/T	F		S/R			X			FB331-600001-700000	
FA38		FED	12	58			F/R	S/R			X			FB331-600001-700000	
FA39		FED	12		A/T		F/R	S/R			X			FB331-600001-700000	
FA42		FED	12	58		F			N/R		X			FB331-700000-	
FA43		FED	12		A/T	F			N/R		X			FB331-700000-	
FA46		FED	12	58		F		S/R			X			FB331-700000-	

# MODEL IDENTIFICATION

## MAZDA RX-7

(1981 MODELS MANUFACTURED FROM JULY 1980.)

(1982 MODELS MANUFACTURED FROM MAY 1981.)

(1983 MODELS MANUFACTURED FROM JULY 1982.)

HDL NO.	STATE		REG	T/M		BRAKE		ROOF		YEAR				VIN
	C	F	R	N	A	F	4	S	H	1	1	1	1	
	C	F	R	N	A	F	4	S	H	1	1	1	1	
	A	D	T	A	U	R	W	U	N	9	9	9	9	
	L	E	A	N	T	O	H	N	R	8	8	8	8	
	I	R	U	J	C	H	E	R	M	1	2	3	4	
	F	R	A	A	M	T	E	O	A					
	O	R	Y	L	A	L	E	R	L					
	R	A	L	L	A	L	O	F						
	H	I	12A	5	T	D	D	R						
	I	A		S	I	I	I	O						
	A													
				E	C									
				E										
				D										
FA47		FED	12		A/T	F		S/R				X		FB331-700001-
FA48		FED	12	58			F/R	S/R				X		FB331-700001-
FA49		FED	12		A/T		F/R	S/R				X		FB331-700001-
FA44	CAL		12	58		F			H/R			X		FB331-700001-
FA45	CAL		12		A/T	F			H/R			X		FB331-700001-
FA50	CAL		12	58		F		S/R				X		FB331-700001-
FA51	CAL		12		A/T	F		S/R				X		FB331-700001-
FA52	CAL		12	58			F/R	S/R				X		FB331-700001-
FA53	CAL		12		A/T		F/R	S/R				X		FB331-700001-

# LIST OF MONTHLY STARTING VIN (CHASSIS NO.)

# LIST OF COMPLETE ASSEMBLY UNIT'S PART NUMBERS

## '81 MODEL

MODEL	YR./MO.	JAN. 80/1	FEB. 80/2	MAR. 80/3	APR. 80/4	MAY 80/5	JUN. 80/6	JUL. 80/7	AUG. 80/8	SEP. 80/9	OCT. 80/10	NOV. 80/11	DEC. 80/12
MX-7 FB331						---	---	508001	500076	505736	507335	510973	514495

## '81 MODEL

MODEL	YR./MO.	JAN. 81/1	FEB. 81/2	MAR. 81/3	APR. 81/4	MAY 81/5	JUN. 81/6	JUL. 81/7	AUG. 81/8	SEP. 81/9	OCT. 81/10	NOV. 81/11	DEC. 81/12
MX-7 FB331		518602	521856	525552	529439	533894	---	---	---				

## '82 MODEL

MODEL	YR./MO.	JAN. 81/1	FEB. 81/2	MAR. 81/3	APR. 81/4	MAY 81/5	JUN. 81/6	JUL. 81/7	AUG. 81/8	SEP. 81/9	OCT. 81/10	NOV. 81/11	DEC. 81/12
MX-7 FB331				---	---	---	600001	605980	610656	613699	618135	622566	626755

## '82-'83 MODEL

MODEL	YR./MO.	JAN. 82/1	FEB. 82/2	MAR. 82/3	APR. 82/4	MAY 82/5	JUN. 82/6	JUL. 82/7	AUG. 82/8	SEP. 82/9	OCT. 82/10	NOV. 82/11	DEC. 82/12
MX-7 FB331		629595	633361	637250	642150	647749	652186	700132	703771				

COMPLETE MODEL NO.	ENGINE	TRANSMISSION	REAR AXLE	CHASSIS	OPTIONS
FAA2	U251-02-000	R528-05-000	P025-05-000	FAA2-07-000	Federal A/T Sunroof Front disc brake only
FAA3	U252-02-000	AT09-19-000	P025-05-000	FAA2-07-000	Federal A/T Sunroof Front disc brake only
FAA6	U251-02-000	R528-05-000	P025-05-000	FAA6-07-000	Federal A/T Sunroof Front disc brake only
FAA7	U252-02-000	AT09-19-000	P025-05-000	FAA6-07-000	Federal A/T Sunroof Front disc brake only
FAA8	U251-02-000	R328-05-000	P025-05-000	FAA6-07-000	Federal A/T Sunroof Front & rear disc brake
FAA9	U252-02-000	AT09-19-000	P025-05-000	FAA6-07-000	Federal A/T Sunroof Front & rear disc brake
FAA4	U253-02-000	R528-05-000	P025-05-000	FAA2-07-000	California R/T Sunroof Front disc brake only
FAA5	U254-02-000	AT09-19-000	P025-05-000	FAA2-07-000	California A/T Sunroof Front disc brake only
FA50	U253-02-000	R528-05-000	P025-05-000	FAA6-07-000	California R/T Sunroof Front disc brake only
FA51	U254-02-000	AT09-19-000	P025-05-000	FAA6-07-000	California A/T Sunroof Front disc brake only
FA52	U253-02-000	R528-05-000	P025-05-000	FAA6-07-000	California R/T Sunroof Front & rear disc brake
FA53	U254-02-000	AT09-19-000	P025-05-000	FAA6-07-000	California A/T Sunroof Front & rear disc brake

NOTE: Complete assemblies are available and manufactured in accordance with current production specifications only.

# **INSTRUCTIONS**

## HOW TO LOCATE PARTS IN THE CATALOG

Realistically, there can only be four possible scenarios when looking for a part(s). These are:

1. Either image of the part or the location on vehicle are known.
2. D-Code and/or Group number (of part) are known.
3. Part Number is known.
4. Name of part is known.

If one or more of the items listed above are known, the parts catalog user may use the appropriate index to facilitate part(s) location. The four indexes that may be used are:

### PICTORIAL INDEX -

Use if either the image of the part and/or location on vehicle are known.

### SECTION NUMBER INDEX -

Use if D-Code, Group Number or type of part is known.

### PART NUMBER INDEX -

Use if part number is known.

### ALPHABETICAL INDEX -

Use if name of part is known.

The following two pages outline how to use these indexes.

## USING THE PICTORIAL INDEX

1. The PICTORIAL INDEX is the 1st column of every fiche.
2. Decide whether the desired part is an engine, chassis or body part.
3. Look through the PICTORIAL INDEX for the part. Take note of all possible fiche locations where the part may be found. This information will be useful in thoroughly tracking down the part.
4. Once the appropriate illustration is found, note the section number. Refer to the SECTION NUMBER INDEX for fiche location.

## USING THE SECTION NUMBER INDEX

1. The SECTION NUMBER INDEX is the first row of every fiche.
2. The column labeled STARTING LOCATION denotes the microfiche GRID LOCATION for a particular section.

### EXAMPLE:

1 - G6

1 = denotes the fiche number, i.e., 1 of 3, 2 of 3, 3 of 3

G = denotes the horizontal row location

6 = denotes the vertical column location

3. As an additional feature, the sections located in every column are enclosed in a "highlight box" in the SECTION NUMBER INDEX.
4. At this point, it is just a simple matter of going to the correct frame and locating the desired part number.

### **USING THE PART NUMBER INDEX**

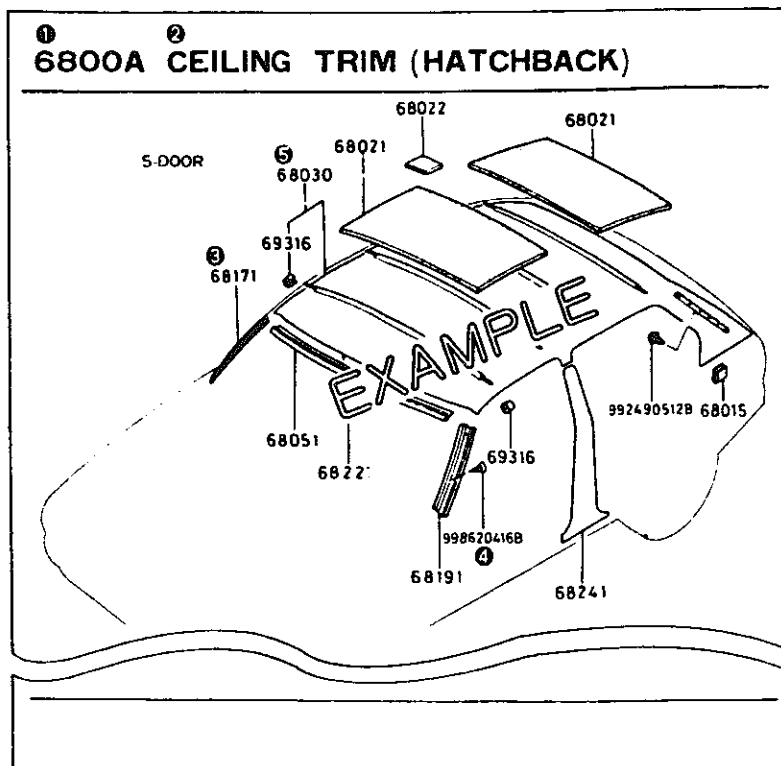
1. If the part number is known, simply use the PART NUMBER INDEX.
2. The PART NUMBER INDEX is located at the very end of the catalog, on the last fiche of a fiche set.
3. The index shows the section number and the grid location where the part number may be found.
4. When the PART NUMBER INDEX is used, remember that the part number is NOT read from "left to right". The base part number is read first. The base part number consists of the center two digits plus the next three (or four) digits to the right.
5. Use the grid location to go to the appropriate frame where the part number may be found. Cross-reference the part number with the illustration and text to ensure that it is indeed the desired part.

### **USING THE ALPHABETICAL INDEX**

1. If the name of the part is known, simply use the ALPHABETICAL INDEX.
2. The ALPHABETICAL INDEX is located right before the PART NUMBER INDEX, at the very end of the catalog, on the last fiche of a fiche set.
3. The ALPHABETICAL INDEX contains the section number and the grid location where the desired part may be found.
4. Use the grid location to go to the appropriate frame where the part number may be found. Cross-reference the part number with the illustration and text to ensure that it is indeed the desired part.



## HOW TO INTERPRET THE ILLUSTRATION



In the example shown above, the interpretation of each item appearing in the illustration area is as follows.

### 1 SECTION NUMBER

Each illustration is given a Section Number, which is a "IDENTIFICATION NUMBER" of the group of parts classified in function.

Section Number basically consists of four numeric characters and alpha "A". But when a Section (a group of parts) is shown in more than one illustration over the same catalog, an additional alphabetical character is incorporated, e.g.,

Section No.	Section Name
6800A	Ceiling Trim (Hatchback)
6800AA	Ceiling Trim (Wagon)

[Note]  
 Illustrations are always arranged in numerical sequence by SECTION NUMBER throughout the fiches in the set. (Exception: Section No. "0900A key Sets" is located in the first section of Body group.)

### 2 SECTION NAME

This is a descriptive name of the illustration (the group of parts).

### 3 D-CODE (KEY NUMBER)

D-Code consists of five or six digits, and serves as a "KEY NUMBER" to co-ordinate a part's illustration with its related text.

[Note]

Those parts which appear in the illustration without D-Code are not available as spare parts. (Exception: Most Standard Parts do not have D-Code, but are available as spare parts.)

### 4 STANDARD PART NUMBER

Those parts which are standardized in form, dimension, material, etc. such as bolts, nuts, washers, etc. are called "Standard Parts". In most cases, Standard Part Numbers are shown on the illustration instead of via the D-Code, and are distinguished from D-Code by the number which consists of nine or ten digits starting with "9", e.g., 99862-0416B. Those Parts do not appear in the text and part number index.

### 5 ASSEMBLY AND COMPONENTS' RELATIONSHIP

The relationship between an Assembly and its Components is indicated in the illustration but not in the text.

If the D-Code appeared as the example, the correct interpretation of that would be: D-Code 68030 includes D-Code 69316 and Top Ceiling (no D-Code indicated).

## HOW TO INTERPRET THE TEXT

### IMPORTANT

As there are many abbreviated words used in the text, refer to "Abbreviation List" located in the lower corner of each fiche (frame No. N1).

6800A-1 CEILING TRIM (HATCHBACK)

D-CODE (Key No.)	PART NAME	PART No.	Qty	MODEL/DESCRIPTION	VIN (Chassis No.)
① 68030	② CEILING, TOP	③ 8531-68-030	④ 1	⑤ (USE W/DEFROSTER) 3-DOOR ⑥	
	⑦ BLACK	⑧ 00			
	BEIGE	31			
		⑨ 8531-68-030	⑩ 1	(USE W/O DEFROSTER) 5-DOOR	
	BLACK	00			
	BEIGE	31			
68051	PLATE, T/CEILING	8531-68-051	1		FA4PS... 500001 -522626 FA4TS... 500001 -688439 ⑪ FA4PS... 522627- FA4TS... 688440-
		⑫ <AN>	⑬ 1	*8531-68-051A	

In the example shown above, the interpretation of the information appearing in each column is as follows.

#### ① D-CODE (KEY NUMBER)

This is to serve as a "KEY NUMBER" to co-ordinate with a part on the illustration. Those parts which are identical in function and descriptive name, are given a common code over the Mazda Spare Parts. Within each Section Number, the D-Code appears in numerical sequence.

#### ② PART NAME

Part Names are shown in English and/or French and/or Spanish and/or German, depending upon Catalogs and are given to each "D-CODE".

#### ③ COLOR NAME

Color Names appear here when Color Codes are indicated in the "PART No." column. These are shown in English only.

#### ④ PART NUMBER

Under the same D-Code, if there are more than one Part Number, Part Numbers are always listed in numerical and/or alphabetical sequence regardless of the order of modification history of parts.

#### ⑤ COLOR CODE

When Color Code(s) appear(s), the indicated Part Number requires the Color Code to properly identify the color of the part, e.g., 8531-68-030 00, 8531-68-030 31.

#### ⑥ QUANTITY

This denotes the Quantity of each part number per the D-Code used on the applicable model(s).

#### ⑦ DESCRIPTION

An additional descriptive information for each part is provided as necessary.

#### ⑧ MODEL APPLICATION

Model Application for a part is shown in this column if necessary.

If there is no Model Application indicated, the affected part is applicable to "ALL MODELS" covered in the page.

For further information, refer to "HOW TO INTERPRET THE MODEL APPLICATION" shown later (frame No. G16).

#### ⑨ INTERCHANGEABILITY CODE

The code in < > brackets appearing in this column indicates the level of interchangeability between the indicated part and the former one.

For the definition of the Codes, refer to "INTERCHANGEABILITY CODE LIST" shown in the lower corner of each fiche (frame No. N1).

#### ⑩ NEW PART NUMBER'S SIGN

An asterisk (\*) appearing in the "Part Number" column indicates that the affected Part Number has been newly added since the last edition.

#### ⑪ VIN (CHASSIS No.)

VIN (Vehicle Identification Number) is shown in this column if necessary, to identify the vehicles applicable to the affected part.

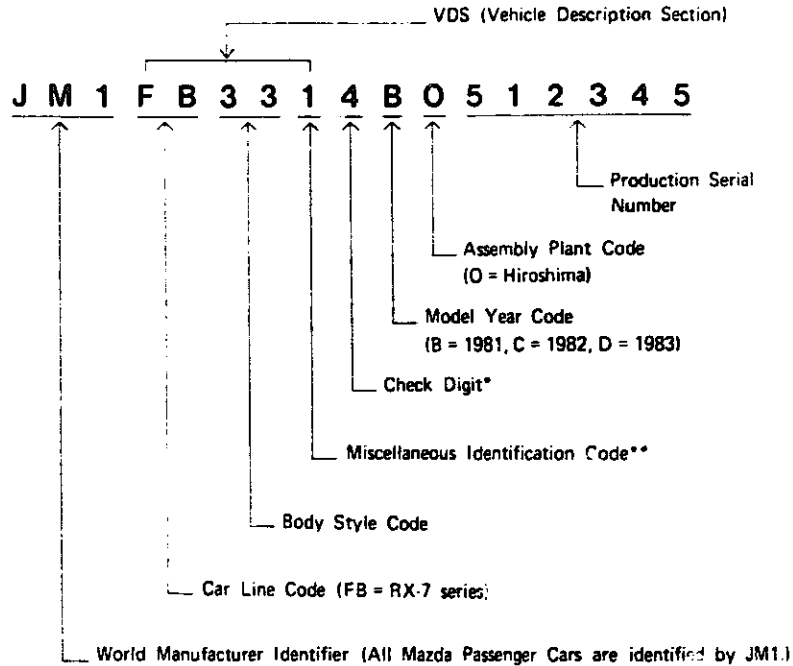
For further details, refer to "HOW TO INTERPRET THE VIN (CHASSIS No.)" located in frame No. H16 of this fiche.

## HOW TO INTERPRET THE VIN (CHASSIS No.)

### VEHICLE IDENTIFICATION SYSTEM FOR MAZDA RX-7 SERIES (1981-)

Vehicle Identification Number (VIN) for RX-7 (1981 and later year models) consists of World Manufacturer Identifier, Vehicle Description Section (VDS), Check Digit, Model Year Code and Production Serial Number which is sequentially numbered within each VDS.

Shown below as an example is the VIN for Mazda RX-7 (1981 model).



\* Check Digit is included as a VIN security feature to permit law enforcement verification of the authenticity of a suspected illegal VIN plate. This single digit number is determined, based upon a complex mathematical formula which is applied to each vehicle's VIN number.

\*\* Miscellaneous Identification Code identifies major components such as engine, brake system, cab type, etc. However, if all models of the same car line use the same such components, this code is indicated as a numeric character "1" only.

## VIN PRESENTATION ON THE PARTS CATALOG

VIN does NOT ALWAYS APPEAR. No "VIN" indicated denotes that a Part is applicable to the affected model from the FIRST PRODUCTION and ON (up to now).

If the information in the "VIN" column appeared as the example below:

6230A-1 BACK DOOR MECHANISMS (HATCHBACK)

D-CODE (Key No.)	PART NAME	PART No.	Qty.	MODEL/DESCRIPTION	VIN (Chassis No.)
62210A	HINGE, BACK DOOR	8531-62-210B	2	1000 1300	FA4PS... 500001 -522626 FA4TS... 500001 -688439
		8531-62-210D	2		FA4PS... 522627- FA4TS... 688440- FA4US... 500001-
62310	LOCK, BACK DOOR	8531-62-310B	2		

... the correct interpretation of the above would be:

- ① Part No. 8531-62-210B is applicable to Model 1000 from VIN FA4PS-500001 thru FA4PS-522626 and Model 1300 from VIN FA4TS-500001 thru FA4TS-688439 for the Hatchback respectively.
- ② Part No. 8531-62-210D is applicable to Model 1000 from VIN FA4PS-522627 and on, Model 1300 from VIN FA4TS-688440 and on, and Model 1400 from VIN FA4US-500001 (the first production) and on for the Hatchback respectively.
- ③ Part No. 8531-62-310B is applicable to ALL MODELS (1000, 1300 and 1400) of the Hatchback series from the FIRST PRODUCTION and ON (up to now).

## HOW TO INTERPRET THE MODEL APPLICATION

Model Application does NOT ALWAYS APPEAR. No "Model Application" indicated denotes that a Part is applicable to ALL MODELS covered by the affected page.

If the information in the "MODEL/DESCRIPTION" column appeared as the example below:



4000A-1 EX. SYSTEM (HATCHBACK)

D-CODE (Key No.)	PART NAME	PART No.	Qty	MODEL/DESCRIPTION	VIN (Chassis No.)
40061	HANGER, SILENCER	3874-40-060	1	①	
40081	BRACKET	3952-40-080A	1	CAL.   e	
		8021-40-080C	1	FED.   e	

... the correct interpretation of the above would be:

- ① Part No. 3874-40-060 is applicable to All of Hatchbacks.
- ② Part No. 3952-40-080A is applicable to the Hatchbacks of CAL. applications.
- ③ Part No. 8021-40-080C is applicable to All Hatchbacks for FED. applications.

CAL. = California

FED. = Federal

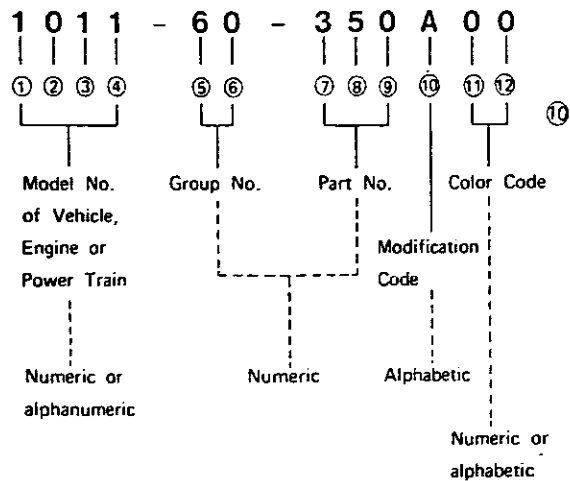
## MAZDA PART NUMBERING SYSTEM

Mazda Part Numbers are generally classified into three categories: General Parts, Standard Parts and Special Tools.

### MAZDA GENERAL PARTS

The Part Number basically consists of nine or ten digits. The 10th digit (if applicable) denotes modification of the part. It has twelve digits when a color code consisting of two digits is required.

#### EXAMPLE



[Note]

If a color code was required but not modification code, the 10th digit would be blank and the color code would follow, e.g.,

1011-60-350,00  
 ↑  
 blank

## MAZDA STANDARD PARTS

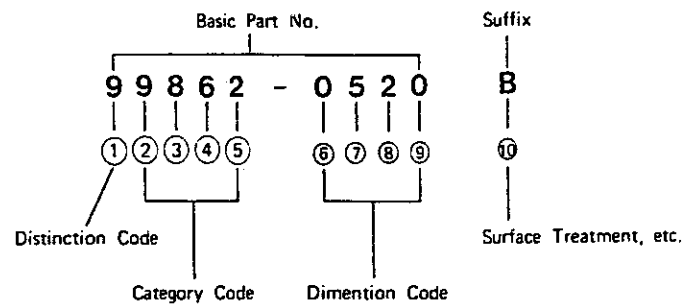
Those Parts which are standardized in form and dimension such as Bolts, Nuts, Washers, Hoses, Disc Wheels, etc. are called Mazda Standard Parts.

All the Mazda Standard Parts are identified by a Part Number starting with "9". The numbering structure of Standard Parts varies depending upon the kind of parts.

The following is just one example of Standard Part Numbers.

For further details and examples, refer to the wall chart, "LIST OF STANDARD PARTS".

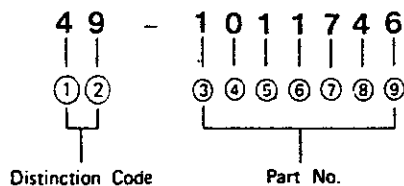
### EXAMPLE



## MAZDA SPECIAL TOOLS

In order to repair Mazda Vehicles, certain equipment is required. Those are called Mazda Special Tools.

### EXAMPLE



[Note]

As Mazda Special Tools are not shown in the Parts Catalog, refer to "LIST OF SPECIAL TOOLS & APPLYING MODELS" as for further details.

## INTERCHANGEABILITY CODE LIST

Code	Definition	
AN	↔ (Both Ways)	A new part and the former part are fully interchangeable.
A	→ (One Way)	A new part can be used in place of the former part, but the former part cannot be used in place of a new part.
C	Plus 	A new part with some additional part(s) can be used in place of the former part.
G	Plus 	Some modification work is required to use a new part in place of the former part.
S	← (One Way Backward)	The former part can be used in place of a new part, but a new part cannot be used in place of the former part.

**ABBREVIATION LIST**

ABBREV.	MAY REPLACE	ABBREV.	MAY REPLACE
1ST	First	CAL.	California
2ND	Second	CASS.	Cassette
3RD	Third	CAT.	Category
4TH	Fourth	Cd	Coefficient Of Drag
4 SPD	Four Speed	CD	Compact Disk
4WS	Four Wheel Steering	C.G.R.	Constant Gear Ratio
4WD, 4X4	Four Wheel Drive	CHG.	Change
5TH	Fifth	CHK.	Check
5 SPD	Five Speed	CHMBR	Chamber
		CHN.	Chain
AA.	Anti Afterburn	CIGAR.	Cigarette
A.A.S.	Auto Adjusting Suspension	CI	Coefficient Of Lift
ABS	Anti Lock Braking System	CLPR	Caliper
A/C	Air Conditioning	CNVTR.	Converter
A.C.C.	Automatic Cruise Control	COMB.	Combination
ACCEL.	Accelerator	COND.	Condenser
A.C.V.	Air Control Valve	COMP.	Compressor
A.E.	Acoustical Equalizer	CONV.	Convertible
ALUM	Aluminum	C/P	Cab Plus
ALL	Automatic Load Levelling	C.S.D.	Cold Start Device
ALT.	Alternator	CSTG.	Coasting
AMP.	Amplifier	CTR.	Center
ANT.	Antenna	CTRL.	Control
APR.	April	CV	Constant Velocity
ASSY.	Assembly	CVR.	Cover
A/T	Automatic Transmission	CYL.	Cylinder
AUG.	August		
AUTO.	Automatic	DASH.	Dashboard
		Db	Decibels
BAL.	Balance	DEC.	December
BELT.	Beltline	DEF.	Defroster
BFGR	B. F. Goodrich	DIAPH	Diaphragm
BRDG	Bridgestone	DIFF.	Differential
BRG.	Bearing	DNLP	Dunlop
BRKT.	Bracket	DOHC	Double Overhead Camshaft
BRN.	Brown	DSL.	Diesel
BLK.	Black	DTSS	Dynamic Tracking Suspension System
BLU.	Blue		
BMPR.	Bumper	DX	Deluxe
B.S.V.	Bleed Solenoid Valve	ECAT	Electronically Controlled A/T
BULL.	Bulletin	EGI	Electronic Gas Injection
BW	Black Wall	EGR	Exhaust Gas Recirculation

**ABBREVIATION LIST**

ABBREV.	MAY REPLACE	ABBREV.	MAY REPLACE
ELEC.	Electric	INN.	Inner
ENG.	Engine	INT.	Interior
ETR	Electronically Tuned Radio	INTMT.	Intermittent
		INJ.	Injector, Injected
EXC.	Except	I.R.S.	Independent Rear Suspension
EXH.	Exhaust		
EXT.	Extension	JAN.	January
EQ	Equalizer	JUL.	July
		JUN.	June
FEB.	February		
FED.	Federal	KG	Kilogram
F.I.	Fuel Injection	KM	Kilometer
FLEX	Flexible	KW	Kilowatt
F/LID	Fuel Lid		
FRT.	Front	(L), LT	Left
FRST	Firestone	L=	Length
FSTNR.	Fastener	LCD	Liquid Crystal Display
		L/B	Long Bed
G	Gram	LH	Left Hand
GAS.	Gasoline	LPG	Liquid Petroleum Gas
GDYR	Goodyear	L.S.D.	Limited Slip Differential
GEN.	General		
GOV.	Governor	LWR	Lower
GRN.	Green	LX	Luxury
GRY.	Gray		
GSKT.	Gasket	M	Metallic
		MAR.	March
H.A.C.	High Altitude Compensator	MC	Mica
HARN.	Harness	MCHN	Michelin
H/B	Hatchback	MLDG.	Moulding, Mould
HD.	Head	MM	Millimeter
H/DUTY	Heavy Duty	MNFLD.	Manifold
HDWE.	Hardware	MPX	Multiplex
HI. ALT.	High Altitude	MSTR.	Master
HSG.	House, Housing	M/T	Manual Transmission
HTR.	Heater	MTG.	Mourning
		MTR	Manually Tuned Radio
IC	Integrated Circuit		
ID	Inside Diameter	N=	Number Of Teeth
IGN.	Ignition	N/A	Not Available
ILLUM.	Illumination, Illuminated	N/B	Notchback
		NO.	Number
INCL	Includes	NORM.	Normal
IND	Indicator	NOV.	November
INFO.	Information		
INST.	Instrument		

## ABBREVIATION LIST

---

ABBREV.	MAY REPLACE	ABBREV.	MAY REPLACE
OCT.	October	SPEC.	Specification
OD	Outer Diameter	SPEEDO.	Speedometer
O/DRIVE	Overdrive	SPG.	Spring
OHC	Overhead Camshaft	SPKR.	Speaker
O?T.	Optional	SPRKT.	Sprocket
O.S.	Oversize	SRS	Supplemental Restraint System
OUT.	Outer	STAB.	Stabilizer
PANSC	Panasonic	STD.	Standard
PARK.	Parking	STRG.	Steering
PB	Parking Brake	S/ROOF	Sunroof
PCV	Positive Crankcase Ventilation	SUSP.	Suspension
PIN.	Pinion	S/W	Station Wagon
PKG	Package	SW.	Switch
PLR	Pillar	SYNC.	Synchronizer
PROD.	Production	T=	Thickness
P/S	Power Steering	TEMP.	Temperature
P/TRIM	Pillar Trim	THERMO.	Thermostat
PTH	Phillips Truss Head	TMG.	Timing
PWR.	Power	T/MISSION	Transmission
QTR.	Quarter	TRK.	Truck
QTY.	Quantity	T/LID	Trunk Lid
RI, RT	Right	T/S	Touring Sedan
RH	Right Hand	TTL	Twin Trapezoidal Links
RAD.	Radiator	TURBO	Turbocharged
REINF.	Reinforcement	UP.	Upper
REG.	Regular	U.S.	Undersize
REGUL.	Regulator	VAC.	Vacuum
REL.	Release	V.G.R.	Variable Gear Ratio
REM.	Remote	VPV	Variable Port Valve
RET.	Return	VNL.	Vinyl
REV.	Reverse	W=	Width
RR.	Rear	W/	With
RWL	Raised White Letters	W/P	Water Pump
S/B	Short Bed	WGN.	Wagon
S/ROD	Shift Rod	WHL.	Wheel
S/S	Supercession	W/O	Without
SDN.	Sedan	WHT.	White
SEP.	September	W/SHIELD	Wind Shield, Screen
SERV.	Service	WTR.	Water
SLND.	Solenoid	W/W	White Walls
SOHC	Single Overhead		



## 1981-83 RX-7 ACCESSORIES

---

### AERO

0000-86-2200 - 1979-85, Lip Spoiler

### AIR CONDITIONER

Refer to Accy. Bulletin XA-1 for Air Conditioner information.

### ARM REST

Refer to Accy. Bulletin XN-1 for replacement parts.

### BATTERY

0000-80-124K - 1979-83, ALL  
Refer to Accy. Bulletin XG-4 for Battery information.

### BLOCK HEATER

0000-88-6600 - ALL, Rotary Engine  
Refer to Accy. Bulletin XG-5 for installation information.

### CIGARETTE LIGHTERS

0000-88-209 -16 - 1981-82, All

### DOOR EDGE GUARDS

0000-88-3199-BK - ALL, Black Universal Type

### FRONT MASK

0000-88-0581-AS - 1981-83, W/O Air Dam

### PAINT

Refer to Accy. Bulletin XE-2 for Touch-Up Paint information.

### STEREO EQUIPMENT

Refer to Accy. Bulletins XS-1, XS-2, and XS-3 for Audio information.

### SUNROOF

0000-86-2600 - 1980-85, Moonroof  
0000-86-2600-KT - 1980-85, Left & Right Hinge  
0000-86-2600-CP - 1980-85, Cap Nut Set  
8346-62-885 - 1980-85, Slide Hook Latch

### TIRES

Refer to Accy. Bulletins XE-1 for Tire information.

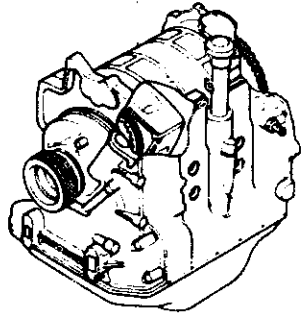


# SECTION INDEX -- ENGINE

STARTING LOCATION	SECT. NO.	SECTION NAME	STARTING LOCATION	SECT. NO.	SECTION NAME	STARTING LOCATION	SECT. NO.	SECTION NAME
1 - C 3	1090A	SHORT ENGINE BLOCK & GASKET SETS	1 - E 6	1930A	CLUTCH & PLANETARY GEAR (AUTOMATIC TRANSMISSION)			
1 - D 3	1030A	ROTOR HOUSING	1 - G 6	1940A	LOW, REVERSE & GOVERNOR (AUTOMATIC TRANSMISSION)			
1 - E 3	1040A	OIL PAN & REAR HOUSING	1 - H 6	1950A	MANUAL LINKAGE (AUTOMATIC TRANSMISSION)			
1 - G 3	1100A	ECCENTRIC SHAFT & FLYWHEEL						
1 - H 3	1110A	ROTOR & RELATED						
1 - I 3	1300A	INTAKE MANIFOLD						
1 - J 3	1310A	EXHAUST MANIFOLD						
1 - K 3	1320A	FUEL SYSTEM						
1 - L 3	1330A	AIR CLEANER						
1 - M 3	1350A	STARTING ASSIST SYSTEM						
1 - N 3	1359A	CARBURETOR REPAIR KIT, GASKET SET & SCREW SET						
1 - C 4	1360A	CARBURETOR COMPONENTS						
1 - E 4	1371A	EMISSION CONTROLS (AIR PUMP & CONTROL VALVE)						
1 - F 4	1380A	EMISSION CONTROLS (EXHAUST SIDE) ('B1 & 'B2 MODELS)						
1 - H 4	1380AA	EMISSION CONTROLS (EXHAUST SIDE) ('B3 MODEL)						
1 - I 4	1400A	OIL PUMP & FILTER ('B1 & 'B2 MODELS)						
1 - J 4	1400AA	OIL PUMP & FILTER ('B3 MODEL)						
1 - K 4	1500A	COOLING SYSTEM ('B1 & 'B2 MODELS)						
1 - M 4	1500AA	COOLING SYSTEM ('B3 MODEL)						
1 - N 4	1580A	COMPRESSOR BRACKET PULLEY & BELT (A C)						
1 - C 5	1600A	CLUTCH (MANUAL)						
1 - D 5	1700A	TRANSMISSION CASE (MANUAL)						
1 - E 5	1710A	TRANSMISSION GEAR (MANUAL)						
1 - G 5	1720A	CHANGE CONTROLS (MANUAL)						
1 - H 5	1800A	ELECTRICAL SYSTEM (ENGINE)						
1 - I 5	1820A	DISTRIBUTOR						
1 - J 5	1830A	ALTERNATOR						
1 - K 5	1840A	STARTER						
1 - M 5	1850A	BATTERY & CABLES						
1 - N 5	1910A	CONVERTER, OIL PUMP & PIPING (AUTOMATIC TRANSMISSION)						
1 - C 6	1920A	CASE & MAIN CONTROLS (AUTOMATIC TRANSMISSION)						

**1000A-1 SHORT ENGINE BLOCK & GASKET SETS**

23800

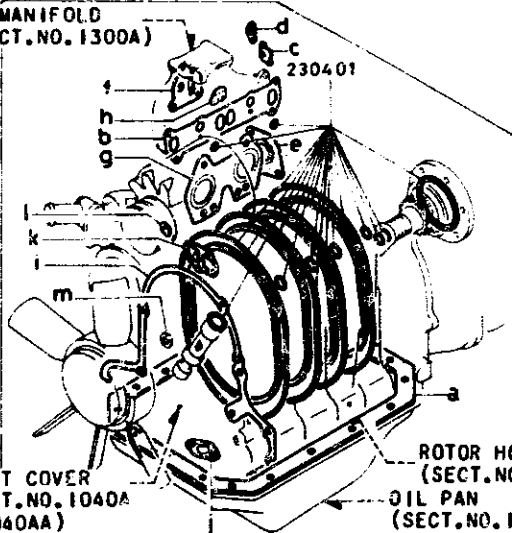


SHORT ENGINE

- a-GASKET,OIL PAN.....(1)
- b-GASKET,IN.MANIFOLD.....(1)
- c-GASKET,PRE AIR PIPE.....(1)
- d-GASKET,SHUTTER VALVE.....(1)
- e-GASKET,EX.PIPE.....(1)
- f-GASKET,A.C.VALVE.....(1)
- g-GASKET,EX.MANIFOLD.....(1)
- h-GASKET,A.L.C.VALVE.....(1)
- i-GASKET,FRONT COVER.....(1)
- j-GASKET,OIL STRAINER.....(1)
- k-GASKET,WATER PUMP.....(1)
- l-GASKET,WATER PUMP.....(2)
- m-GASKET,PULLY.....(1)

102715

IN. MANIFOLD  
(SECT. NO. 1300A)



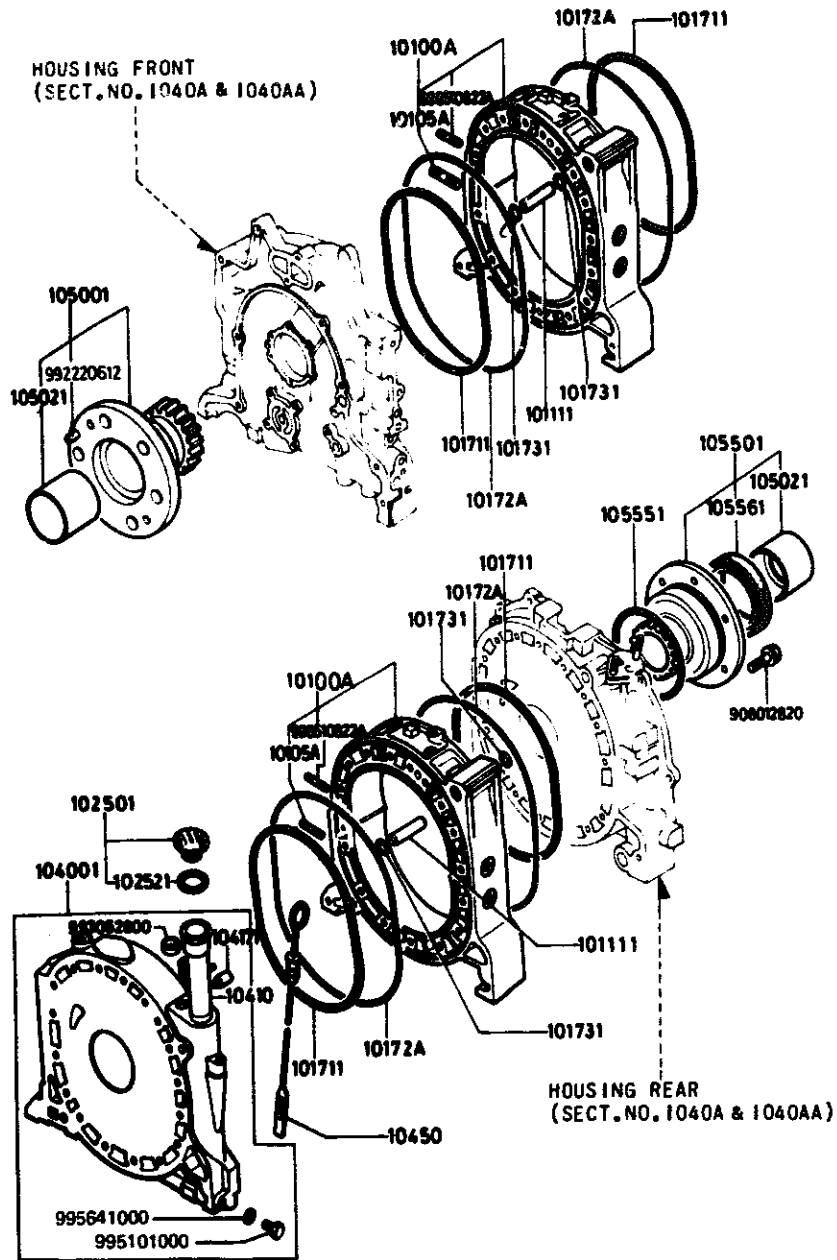
FRONT COVER  
(SECT. NO. 1040A  
& 1040AA)

ROTOR HOUSING  
(SECT. NO. 1030A)

OIL PAN  
(SECT. NO. 1040A & 1040AA)

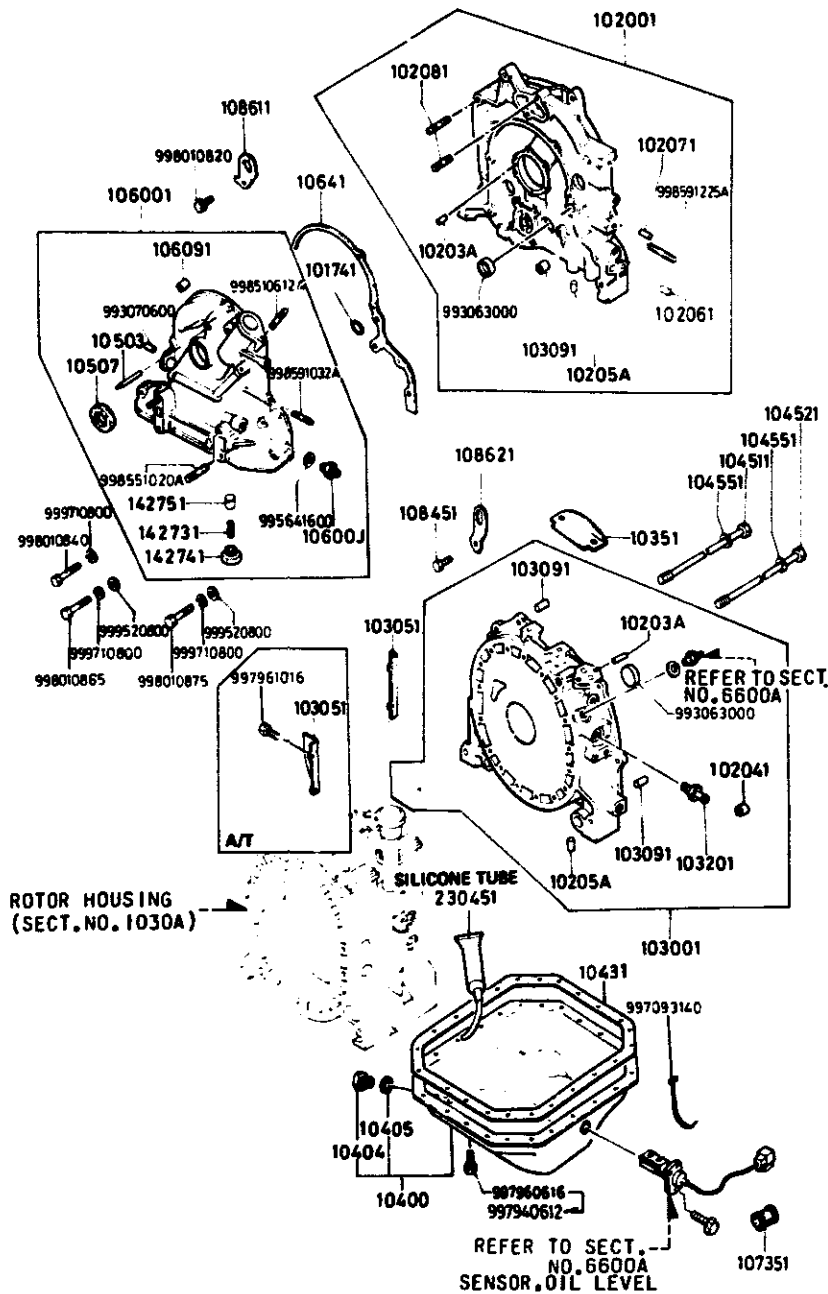
ITEM NO.	D-CODE	DESCRIPTION	PART NO.	QTY	MODEL/DESCRIPTION	REMARKS
10 2715		GASKET SET, ENGINE	N201-99-100	1	'81 & '82 MODELS	
			N231-99-100	1	'83 MODEL	
23 0401		O-RING SET	1757-23-040B	1		
23 800		ENGINE BLOCK, SHORT	N201-23-200	1	'81 & '82 MODELS M/T	
		REFER TO PARTS BULL. NOS. R-6 & R-8 FOR MAIN ENGINE PROGRAM.				
			N202-23-200	1	'81 & '82 MODELS A/T	
			N231-23-200	1	'83 MODEL M/T	
			N232-23-200	1	'83 MODEL A/T	

# 1030A-1 ROTOR HOUSING



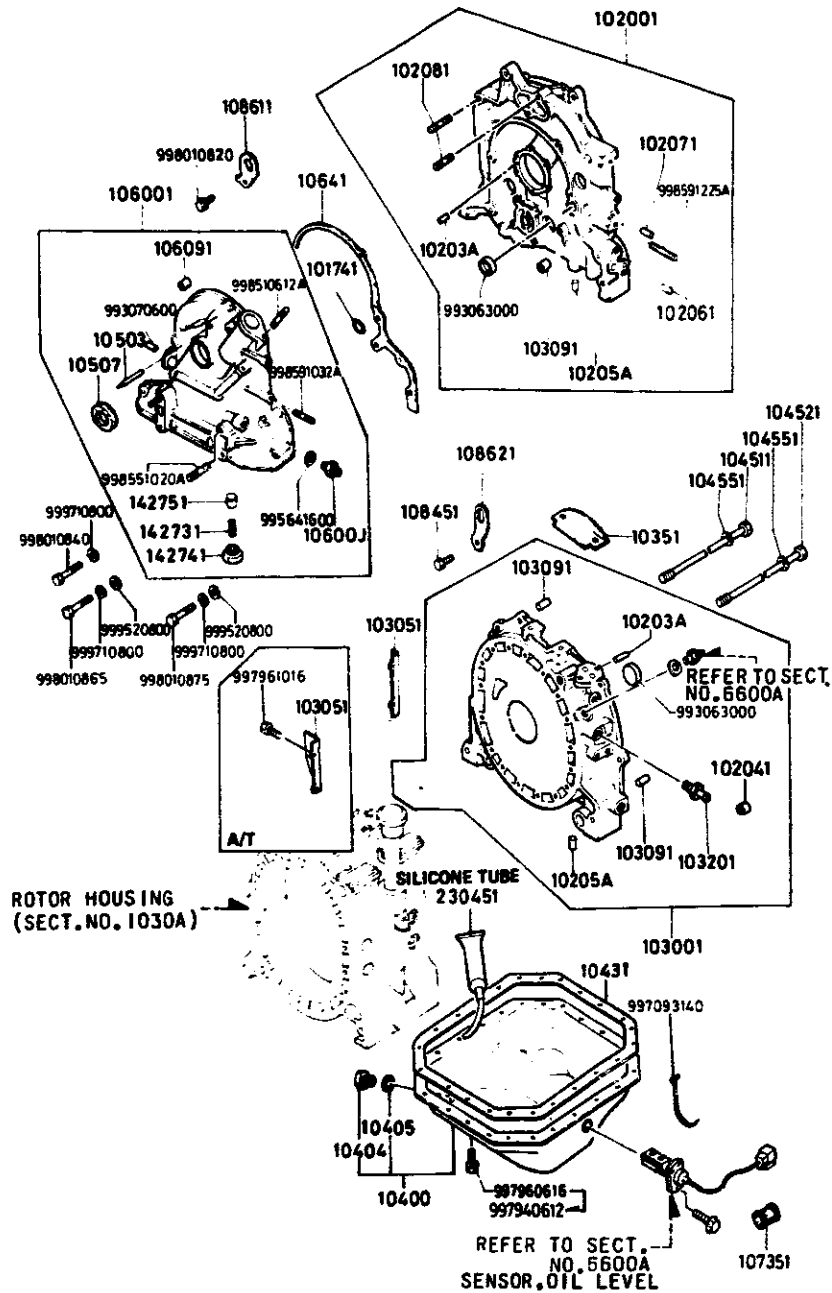
ITEM NO.	D-CODE	DESCRIPTION	PART NO.	QTY	MODEL/DESCRIPTION	REMARKS
10 100A		HOUSING, ROTOR	N201-10-100	2		
10 105A		STUD, REACTOR	0839-10-105	4		
10 1111		DOWEL, TUBULAR	0839-10-111B	4		
10 1711		RING, SQUARE	1757-10-171A	4		
10 172A		RING, SQUARE-OUTER	1480-10-172	4		
10 1731		O-RING	N231-10-173	4		
10 2501		CAP, OIL FILLER	8871-10-250A	1		
10 2521		GASKET, OIL CAP	8871-10-252	1		
10 4001		HOUSING, INTERMEDIATE	8341-10-400	1		
10 410		PIPE, OIL FILLER	3565-10-410A	1		
10 4171		JOINT, PIPE	8562-10-417	1		
10 450		DIPSTICK	N201-10-830	1		
10 5001		GEAR, STATIONARY-FRONT	3743-10-500	1		
10 5021		BEARING, MAIN	0820-10-502B	2		
10 5501		GEAR, STATIONARY-REAR	3743-10-550A	1		
10 5551		O-RING	0813-10-555A	1		
10 5561		SEAL, OIL	1668-10-556A	1		

# 1040A-1 OIL PAN & REAR HOUSING



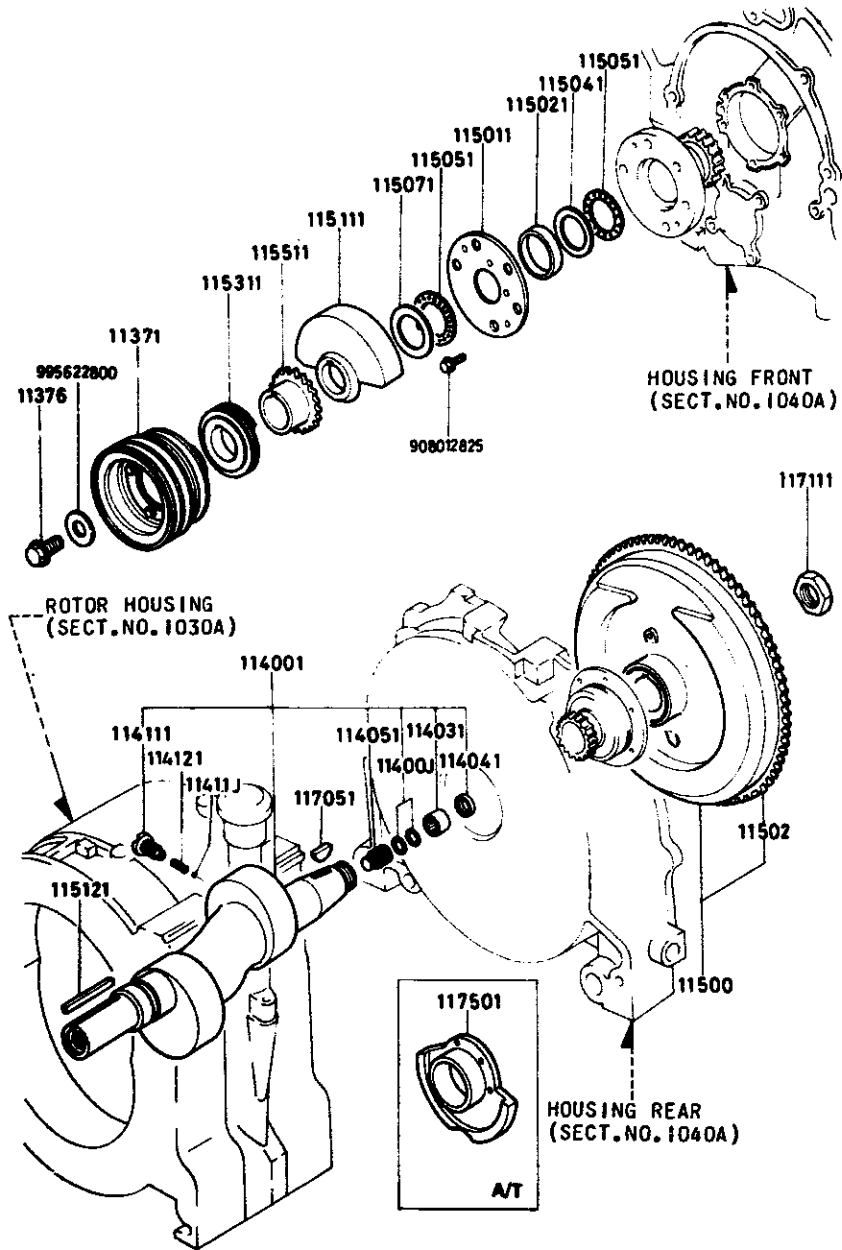
ITEM NO.	D-CODE	DESCRIPTION	PART NO.	QTY	MODEL/DESCRIPTION	REMARKS
10 1741		O-RING	N231-10-174	1		
10 2001		HOUSING, FRONT	8981-10-200	1		
			<C> 8981-10-200B	1	REQUIRES WASHER: 9995-21-200	
10 203A		PIN, DOWEL	0839-10-203	2		
10 2041		DOWEL, TUBULAR	1757-10-309	2		
10 205A		PLUG, BLIND	8562-10-205	4		
10 2061		PLUG, BLIND	1757-10-206A	1		
10 2071		PLUG, BLIND	1757-10-207A	1		
10 2081		STUD	1757-10-208	4		
10 3001		HOUSING, REAR	N201-10-300A	1	'81 & '82 MODELS	
			N231-10-300A	1	'83 MODEL	
10 3051		COVER, DUST	1480-10-305	1	M/T	
			1481-10-305	1	A/T	
10 3091		PIN, TUBULAR	1757-10-309	2	'81 & '82 MODELS	
				4	'83 MODEL	
10 3201		CONNECTOR, HOSE	0866-10-320A	1	'81 MODEL	
10 351		COVER, DUST	1758-10-351	1	'81 & '82 MODELS M/T	
			N231-10-351A	1	'83 MODEL M/T	
10 400		PAN, OIL	N201-10-700A	1	CAL	
			N203-10-700	1	FED.	
10 404		PLUG, DRAIN	9951-11-400	1		
			<AN> HE03-10-404	1		
10 405		GASKET, DRAIN PLUG	9956-41-400	1		
10 431		GASKET, OIL PAN	0839-10-711	1		
10 4511		BOLT, TENSION	1015-10-451B	16		
10 4521		BOLT, TENSION	1015-10-452A	1		
10 4551		WASHER, SEAL	0839-10-455	17		
10 503		PIN, TOP INDICATOR	8871-10-631A	1		
10 507		SEAL, OIL	0820-10-605	1		
10 6001		COVER, FRONT	1480-10-600A	1		
10 600J		JOINT, UNION	9938-41-200F	1		
10 6091		PIN, SPRING	1757-10-609	1		
10 641		GASKET, FRONT COVER	8527-10-641	1		
10 7351		PROTECTOR	N231-10-735	1	'83 MODEL	
10 8451		BOLT	8555-10-845	1		
10 8611		HANGER, ENGINE	N225-10-861	1		
10 8621		HANGER, ENGINE	8871-10-862	1		
14 2731		SPRING	0839-14-273A	1	'81 & '82 MODELS	

# 1040A-2 OIL PAN & REAR HOUSING



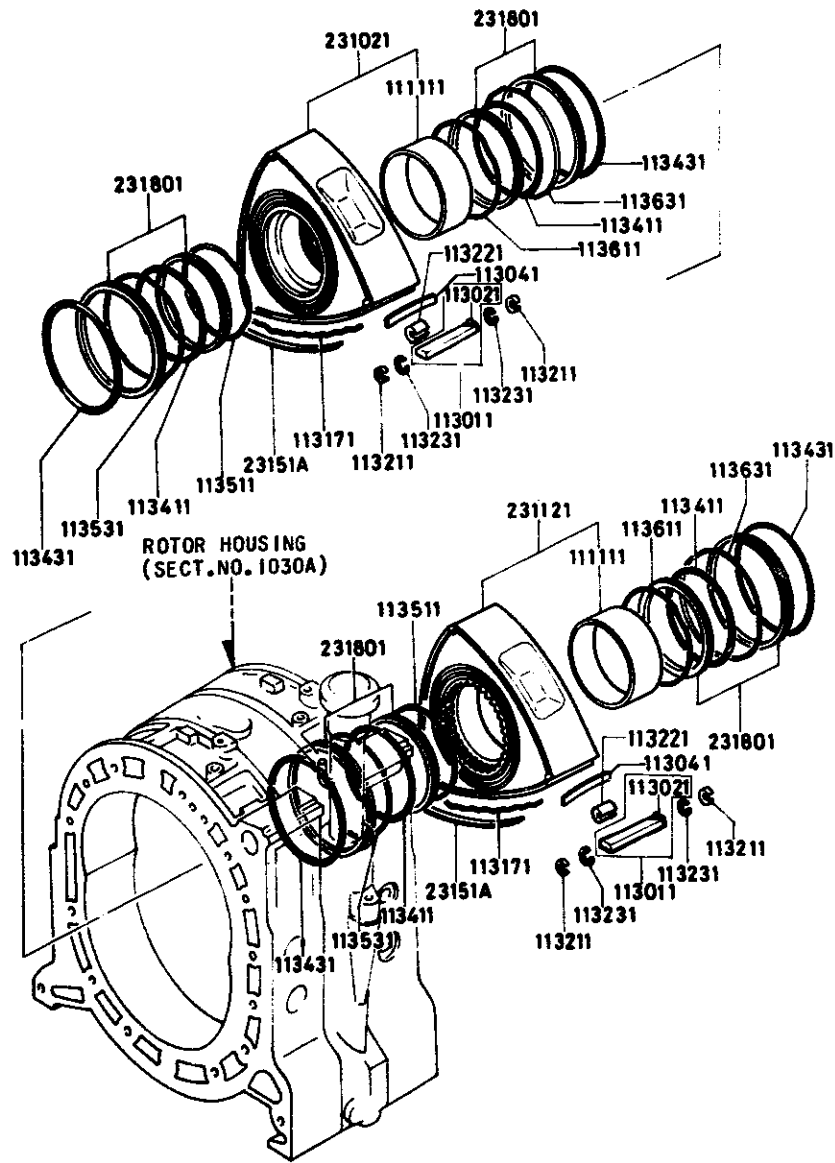
ITEM NO.	D-CODE	DESCRIPTION	PART NO.	QTY	MODEL/DESCRIPTION	REMARKS
14 2731	(CONT'D)		N231-14-273	1	'83 MODEL	
14 2741		PLUG	0839-14-274	1		
14 2751		PLUNGER, CONTROL	0839-14-115	1		
23 0451		SEALANT, SILICONE	8527-77-739	1	TUBE	

# 1100A-1 ECCENTRIC SHAFT & FLYWHEEL



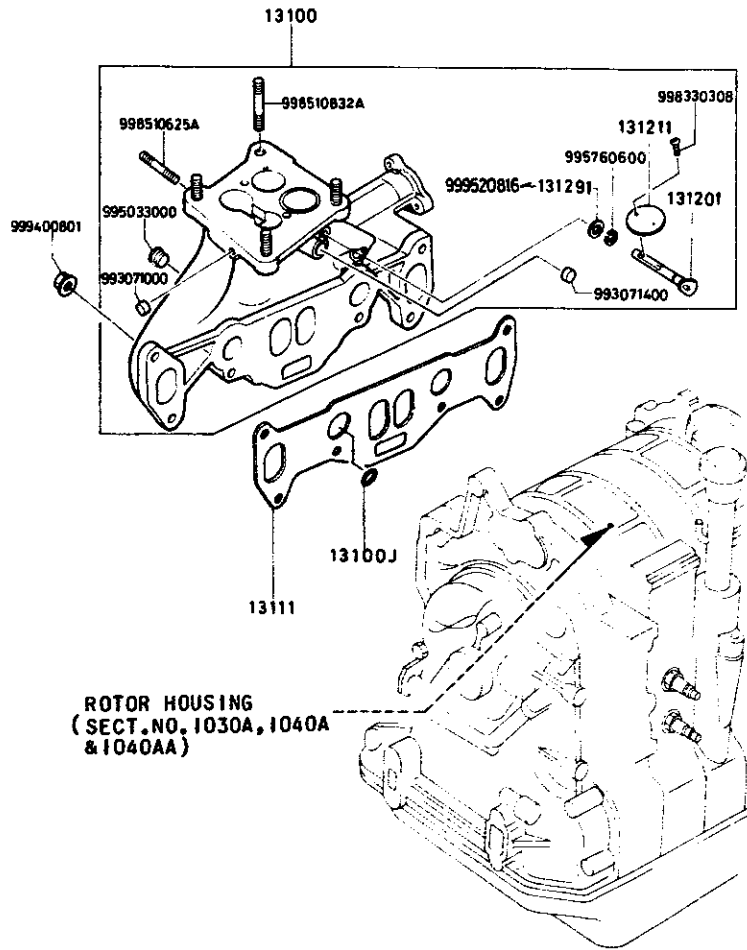
ITEM NO.	D-CODE	DESCRIPTION	PART NO.	QTY	MODEL/DESCRIPTION	REMARKS
11 371		PULLEY, CRANKSHAFT	8649-11-600	1		
11 376		BOLT, PULLEY	0820-11-6118	1		
11 4001		SHAFT, ECCENTRIC	N201-11-400	1	M/T	
			1883-11-400A	1	A/T	
11 400J		O-RING	9954-10-1101	2	THRU DEC. '81 PROD.	FB331 ..500001-629394
11 4031		BEARING, NEEDLE	N326-11-D03	1	M/T	
11 4041		SEAL, OIL	1881-11-404	1	M/T	
11 4051		PLUG, BLIND	0813-11-405	1	'82 MODEL	FB331 ..629394-
11 4111		PLUG, OIL JET	0839-11-411A	2		
11 411J		BALL, STEEL	9961-12-000	2		
11 4121		SPRING	0839-11-412	2		
11 500		FLYWHEEL	N201-11-700	1	'81 - '82	
			N231-11-700A	1	'83	
11 5011		PLATE	1011-11-501	1		
11 502		GEAR, RING	0866-11-702	1	M/T	
11 5021		SPACER	0839-11-509	1	(L=8.00)	
			0839-11-502	1	(L=8.02)	
			0839-11-508	1	(L=8.04)	
			8519-11-517	1	(L=8.06)	
			0839-11-506	1	(L=8.08)	
11 50'1		PLATE, THRUST	1011-11-504	1		
11 5051		BEARING, NEEDLE	0813-11-505B	2		
11 5071		WASHER, THRUST	1011-11-507	1		
11 5111		WEIGHT, BALANCE	N201-11-511	1	M/T	FB331 .. 500001-500075
			1881-11-511	1	A/T	FB331 ..500076-
			N226-11-511A	1	'83 MODEL	
11 5121		KEY	9923-60-571	1		
11 5311		GEAR, DRIVE	0839-11-531	1		
11 5511		GEAR, DRIVE-OIL PUMP	0839-11-551A	1		
11 7051		KEY, FLYWHEEL	0820-11-705	1		
11 7111		NUT, LOCK	0810-11-711	1		
11 7501		WEIGHT, CONTROL	1883-11-751A	1	'81 & '82 MODELS A/T	
			N226-11-751A	1	'83 MODEL A/T	

1110A-1 ROTOR & RELATED



ITEM NO.	D-CODE	DESCRIPTION	PART NO.	QTY	MODEL/DESCRIPTION	REMARKS
11 1111		BEARING, ROTOR	1011-11-111	2		
11 3011		SEAL, APEX	N201-11-300A	6		
11 3021		PIECE, SIDE	N201-11-302A	6		
11 3041		SPRING, APEX SEAL	1011-11-304B	6		
11 3171		SPRING, SIDE SEAL	0820-11-317	12		
11 3211		SEAL, CORNER	1202-11-321	12	'81 & '82 MODELS	
			N225-11-321	12	'83 MODEL	
11 3221		PLUG, CORNER SEAL	N201-11-322	12		
11 3231		SPRING, CORNER SEAL	1202-11-323A	12		
11 3411		O-RING, INNER	0820-11-341	4		
11 3431		O-RING, OUTER	1202-11-343	4		
11 3511		SPRING, FRONT-INNER	1011-11-351	2	'81 & '82 MODELS	
			N225-11-351	2	'83 MODEL	
11 3531		SPRING, FRONT-OUTER	1011-11-353A	2		
11 3611		SPRING, REAR-INNER	1011-11-361	2	'81 & '82 MODELS	
			N225-11-361	2	'83 MODEL	
11 3631		SPRING, REAR-OUTER	1011-11-363A	2		
23 1021		ROTOR, FRONT	1480-23-103	1	'81 & '82 MODELS	
			N225-23-103	1	'83 MODEL	
23 1121		ROTOR, REAR	1480-23-113	1	'81 & '82 MODELS	
			N225-23-113	1	'83 MODEL	
23 151A		SEAL, SIDE	1011-23-151A	12		
23 1801		SEAL SET, OIL	8871-23-180	4		

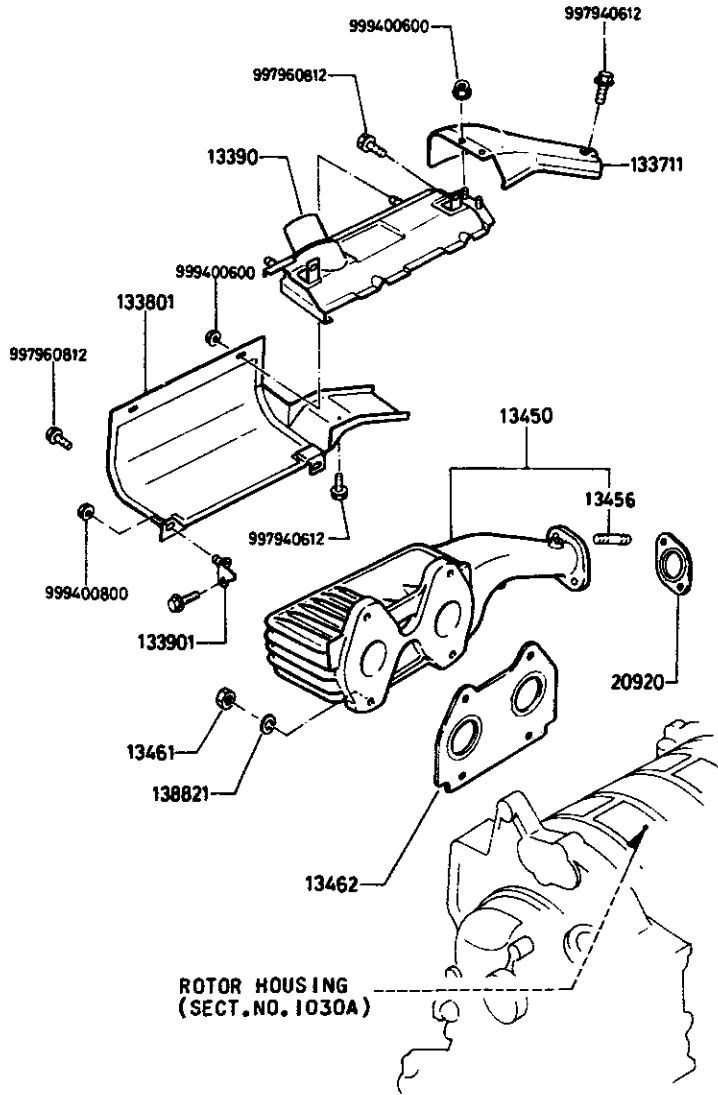
# 1300A-1 INTAKE MANIFOLD



ITEM NO.	D-CODE	DESCRIPTION	PART NO.	QTY	MODEL/DESCRIPTION	REMARKS
13 100		MANIFOLD, INTAKE	N201-13-100A	1		
13 100J		O-RING	8527-13-113	2		
13 111		GASKET, INTAKE MANIFOLD	1881-13-111A	1		
13 1201		SHAFT, VALVE	1480-13-120A	1		
13 1211		VALVE	N201-13-121	1		
13 1291		PLATE, THRUST	1480-13-129	1	'81 MODEL	FB331 ..500001-507334

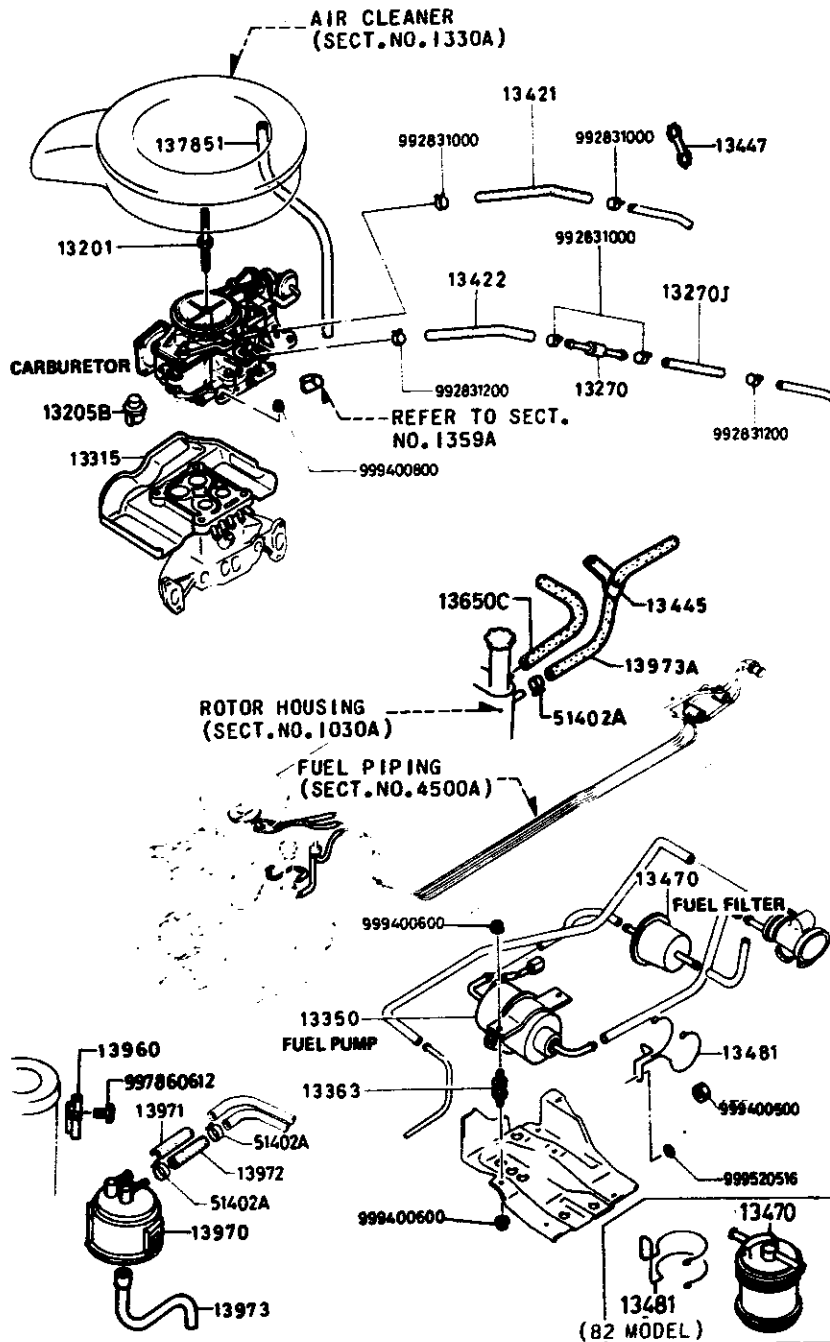


**1310A-1 EXHAUST MANIFOLD**



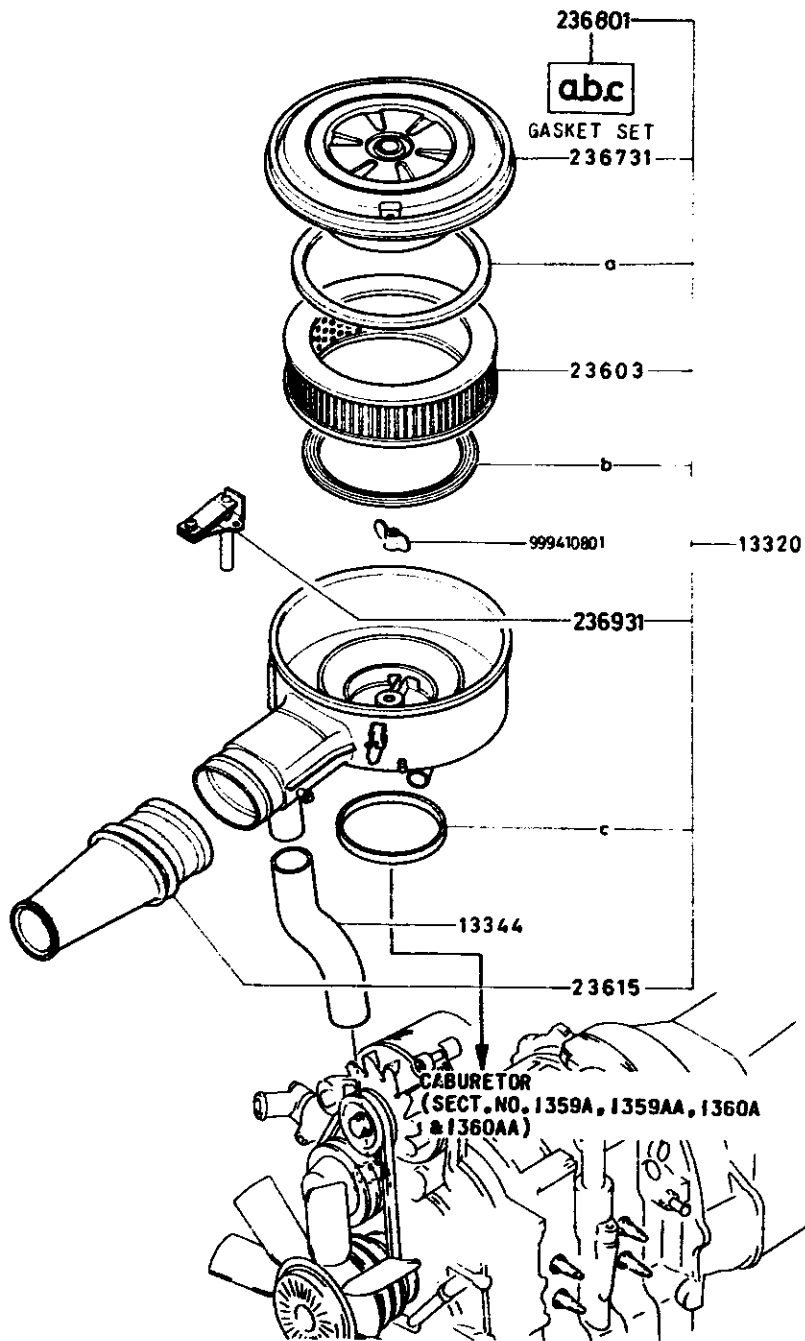
ITEM NO.	D-CODE	DESCRIPTION	PART NO.	QTY	MODEL/DESCRIPTION	REMARKS
13 3711		INSULATOR, HEAT	1480-13-370	1		
13 3801		PLATE, ABSORBER	1480-13-380A	1		
13 390		DUCT, HOT AIR	1480-13-330	1		
13 3901		BRACKET, ABSORBER	3565-13-390	1		
13 450		MANIFOLD, EXHAUST	1480-13-600B	1		
13 456		STUD	2329-13-876	2		
		< AN >	1757-13-857	2		
13 461		NUT	8134-40-355	4		
13 462		GASKET, EXHAUST MANIFOLD	1480-13-889A	1		
13 8821		WASHER, SPRING	9997-11-000	4		
20 920		GASKET, EXHAUST PIPE	1480-13-621	1		

# 1320A-1 FUEL SYSTEM



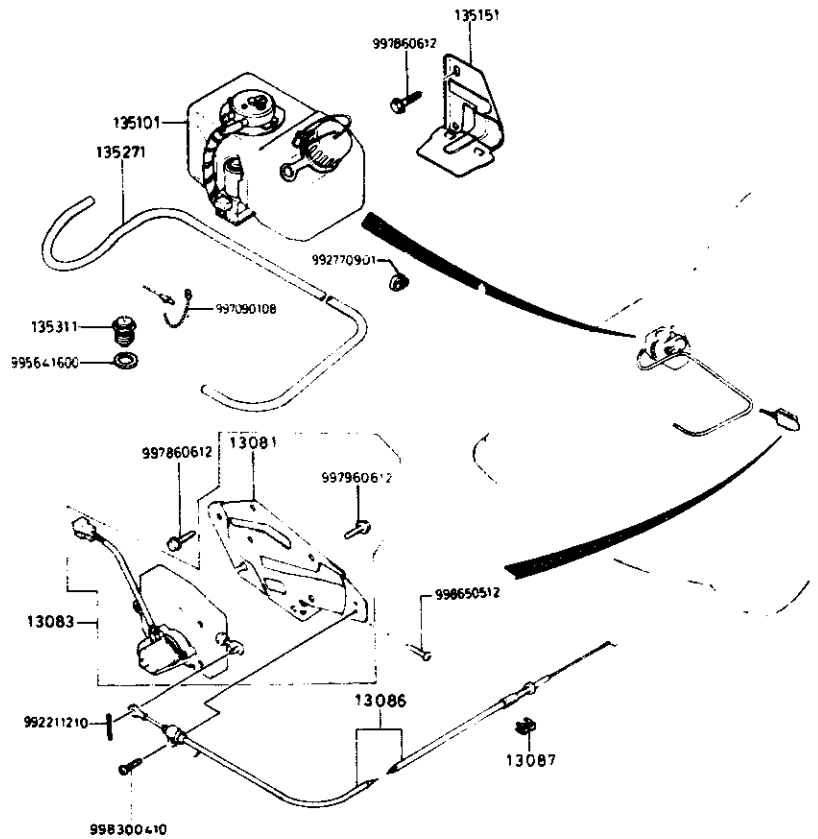
ITEM NO.	D-CODE	DESCRIPTION	PART NO.	QTY	MODEL/DESCRIPTION	REMARKS
13 201		BOLT, AIR CLEANER	8871-13-201A	1		
13 205B		CAP, IDLE SWITCH	1481-13-205C	1		
13 270		VALVE, CHECK	3648-13-270A	1		
13 270J		HOSE, FUEL	9935-80-6999		BULK QTY.	
13 315		INSULATOR	1480-13-220B	1		
13 350		PUMP, FUEL	8871-13-400B	1	'81 & '82 MODELS	
			N249-13-400B	1	'83 MODEL	
13 363		RUBBER, INSULATION	8871-13-407	2		
13 421		HOSE, FUEL MAIN	9935-80-8999		BULK QTY.	
13 422		HOSE, FUEL RETURN	9935-80-6999		BULK QTY.	
13 445		CLIP	1480-13-445	1	'81 MODEL	FB331 ..500001-507334
13 447		CLIP	N201-13-445	1		
13 470		FILTER, FUEL	0222-13-470B	1	'81 MODEL	FB331 ..500001-610655
			E508-13-470	1	'82 & '83 MODELS	FB331 ..610656-
		REFER TO SERV. BULL. NO. 033/81, CAT. 4 FOR MORE INFO.				
13 481		CLAMP, FUEL FILTER	0381-13-481	1	'81 MODEL	FB331 ..500001-610655
			E508-13-481	1	'82 & '83 MODELS	FB331 ..610656
13 650C		HOSE, AIR	9935-10-8999		BULK QTY.	
13 7851		HOSE, VENTILATION	8871-13-785C	1		
13 960		BRACKET, CANISTER	N201-20-611	1		
13 970		CANISTER	N201-20-610A	1	'81 & '82 MODELS	
			N221-99-041	1	'83 MODEL	
		REFER TO RECALL CAMPAIGN NO. 21605 FOR MORE INFO.				
13 971		HOSE, VENTILATION	9935-10-8999		BULK QTY.	
13 972		HOSE, EVAPORATION	9935-10-4999		BULK QTY.	
13 973		HOSE, DRAIN	N201-20-613	1	'81 MODEL	FB331 ..500001-509606
13 973A		HOSE, EVAPORATION	9935-10-8999		BULK QTY.	
51 402A		CLIP	3972-51-402	2	'81 MODEL	FB331 ..500001-507334

**1330A-1 AIR CLEANER**

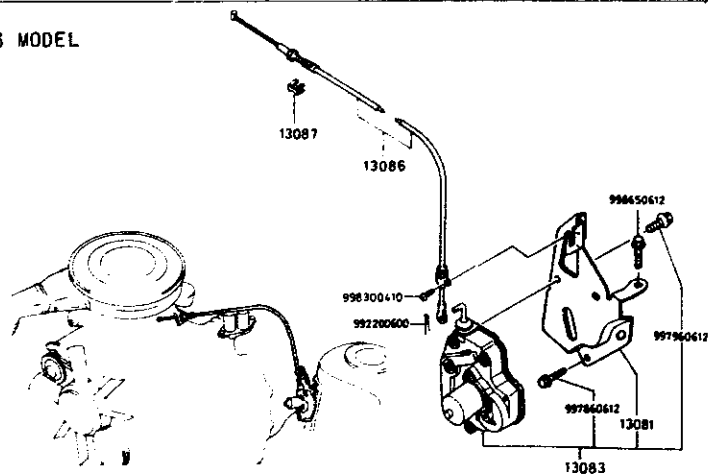


ITEM NO.	D-CODE	DESCRIPTION	PART NO.	QTY	MODEL/DESCRIPTION	REMARKS
13 320		CLEANER, AIR	N201-13-300	1		
13 344		HOSE, HOT AIR	8871-13-341A	1		
23 603		ELEMENT, AIR CLEANER	8341-23-672	1		
23 615		PIPE, AIR INTAKE	1757-13-351A	1		
23 6731		COVER	8245-23-673	1		
23 6801		GASKET SET	1757-23-680	1		
23 6931		COMPENSATOR	3648-23-693A	1		

# 1350A-1 STARTING ASSIST SYSTEM



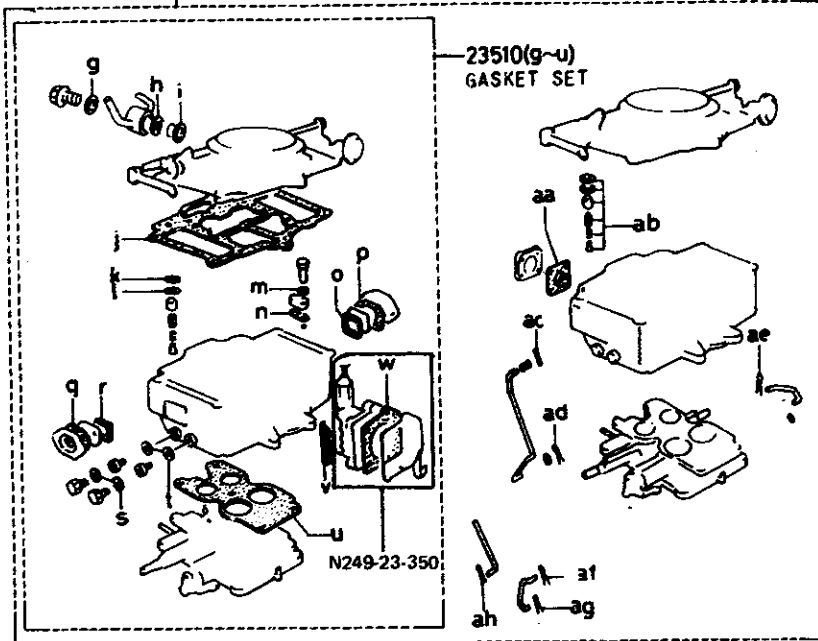
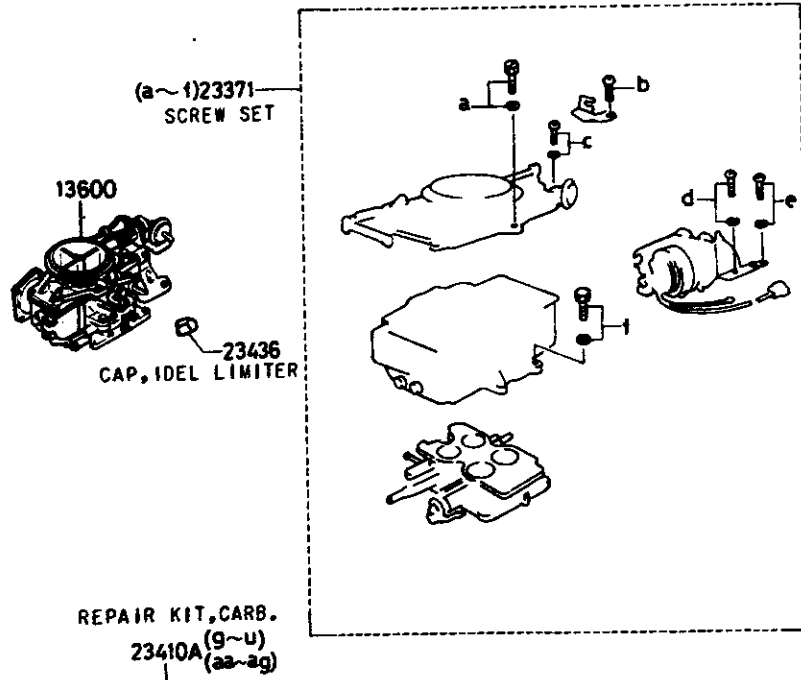
83 MODEL



ITEM NO.	D-CODE	DESCRIPTION	PART NO.	QTY	MODEL/DESCRIPTION	REMARKS
13 081		BRACKET	8871-13-085B	1	'81 & '82 MODELS	
			N229-13-081	1	'83 MODEL	
13 083		MOTOR	8341-13-085	1	'81 & '82 MODELS	
			N229-13-085	1	'83 MODEL	
13 086		WIRE	8871-13-086B	1	'81 & '82 MODELS	
			N225-13-086A	1	'83 MODEL	
13 087		SPRING	8871-13-087A	2		
13 5101		TANK, STARTING FLUID	1881-13-510G	1		
13 5151		BRACKET, TANK	1757-13-515A	1	FED.	
13 5271		HOSE	8871-13-527	1	FED.	
13 5311		THERMO UNIT	8712-13-531	1	FED.	

1359A-1

**CARBURETOR, REPAIR KIT,  
GASKET SET & SCREW SET**



ITEM NO.	D-CODE	DESCRIPTION	PART NO.	QTY	MODEL/DESCRIPTION	REMARKS
13 600		CARBURETOR	N201-13-200A	1	'81 & '82 MODELS M/T CAL.	
			N233-13-200A	1	'83 MODEL M/T CAL.	
			N202-13-200A	1	'81 & '82 MODELS A/T CAL.	
			N234-13-200A	1	'83 MODEL A/T CAL.	
			N203-13-200A	1	'81 & '82 MODELS M/T FED.	
			N231-13-200A	1	'83 MODEL M/T FED.	
			N204-13-200A	1	'81 & '82 MODELS A/T FED.	
			N232-13-200A	1	'83 MODEL A/T FED.	
			23 371		SCREW SET	N201-23-652
			N201-99-131	1		
23 410A		REPAIR KIT, CARBURETOR	N201-99-131	1		
23 436		CAP, IDLE LIMITER	N201-13-205	1		
23 510		GASKE. SET	N201-23-510	1		
			N249-23-350	1		

# SECTION INDEX -- ENGINE

STARTING LOCATION	SECT. NO.	SECTION NAME	STARTING LOCATION	SECT. NO.	SECTION NAME	STARTING LOCATION	SECT. NO.	SECTION NAME
1 - C 3	1000A	SHORT ENGINE BLOCK & GASKET SETS	1 - C 6	1920A	CASE & MAIN CONTROLS (AUTOMATIC TRANSMISSION,			
1 - D 3	1030A	ROTOR HOUSING	1 - E 6	1930A	CLUTCH & PLANETARY GEAR (AUTOMATIC TRANSMISSION)			
1 - E 3	1040A	OIL PAN & REAR HOUSING	1 - G 6	1940A	LOW, REVERSE & GOVERNOR (AUTOMATIC TRANSMISSION)			
1 - G 3	1100A	ECCENTRIC SHAFT & FLYWHEEL	1 - H 6	1950A	MANUAL LINKAGE (AUTOMATIC TRANSMISSION)			
1 - H 3	1110A	ROTOR & RELATED						
1 - J 3	1300A	INTAKE MANIFOLD						
1 - J 3	1310A	EXHAUST MANIFOLD						
1 - K 3	1320A	FUEL SYSTEM						
1 - L 3	1330A	AIR CLEANER						
1 - M 3	1350A	STARTING ASSIST SYSTEM						
1 - N 3	1359A	CARBURETOR, REPAIR KIT, GASKET SET & SCREW SET						
1 - C 4	1360A	CARBURETOR COMPONENTS						
1 - E 4	1371A	EMISSION CONTROLS (AIR PUMP & CONTROL VALVE)						
1 - F 4	1380A	EMISSION CONTROLS (EXHAUST SIDE) ('81 & '82 MODELS)						
1 - H 4	1380AA	EMISSION CONTROLS (EXHAUST SIDE) ('83 MODEL)						
1 - J 4	1400A	OIL PUMP & FILTER ('81 & '82 MODELS)						
1 - J 4	1400AA	OIL PUMP & FILTER ('83 MODEL)						
1 - K 4	1500A	COOLING SYSTEM ('81 & '82 MODELS)						
1 - M 4	1500AA	COOLING SYSTEM ('83 MODEL)						
1 - N 4	1580A	COMPRESSOR BRACKET, PULLEY & BELT (A. C.)						
1 - C 5	1600A	CLUTCH (MANUAL)						
1 - D 5	1700A	TRANSMISSION CASE (MANUAL)						
1 - E 5	1710A	TRANSMISSION GEAR (MANUAL)						
1 - G 5	1720A	CHANGE CONTROLS (MANUAL)						
1 - H 5	1800A	ELECTRICAL SYSTEM (ENGINE)						
1 - J 5	1820A	DISTRIBUTOR						
1 - J 5	1830A	ALTERNATOR						
1 - K 5	1840A	STARTER						
1 - M 5	1850A	BATTERY & CABLES						
1 - N 5	1910A	CONVERTER, OIL PUMP & PIPING (AUTOMATIC TRANSMISSION)						

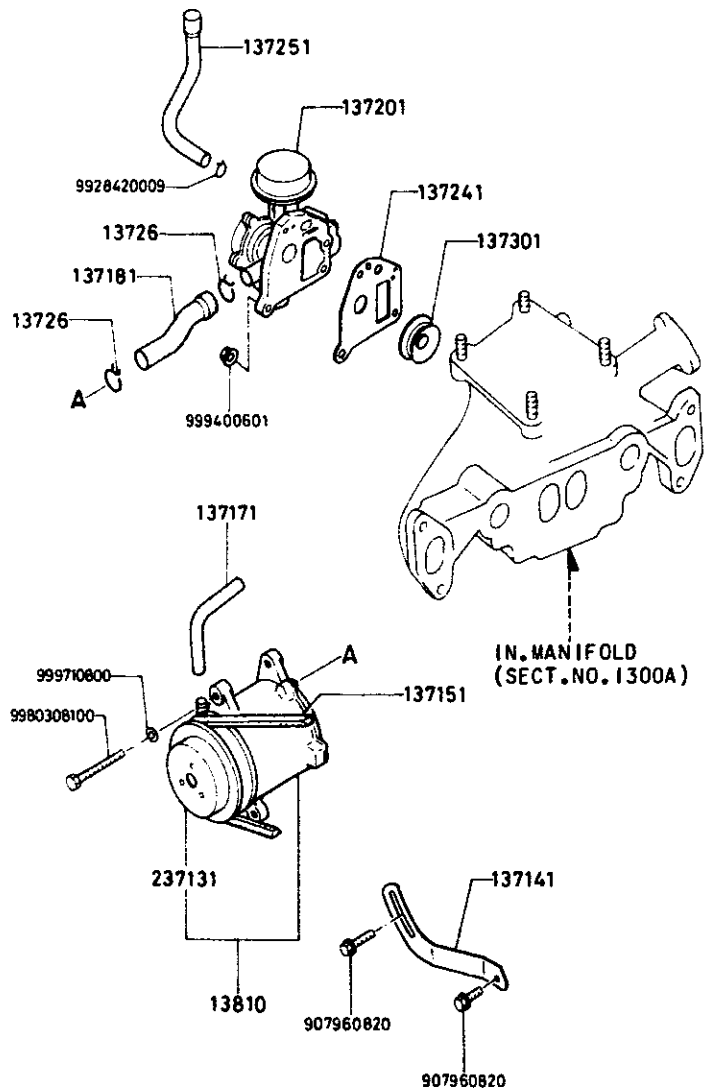
**1 - B 4**





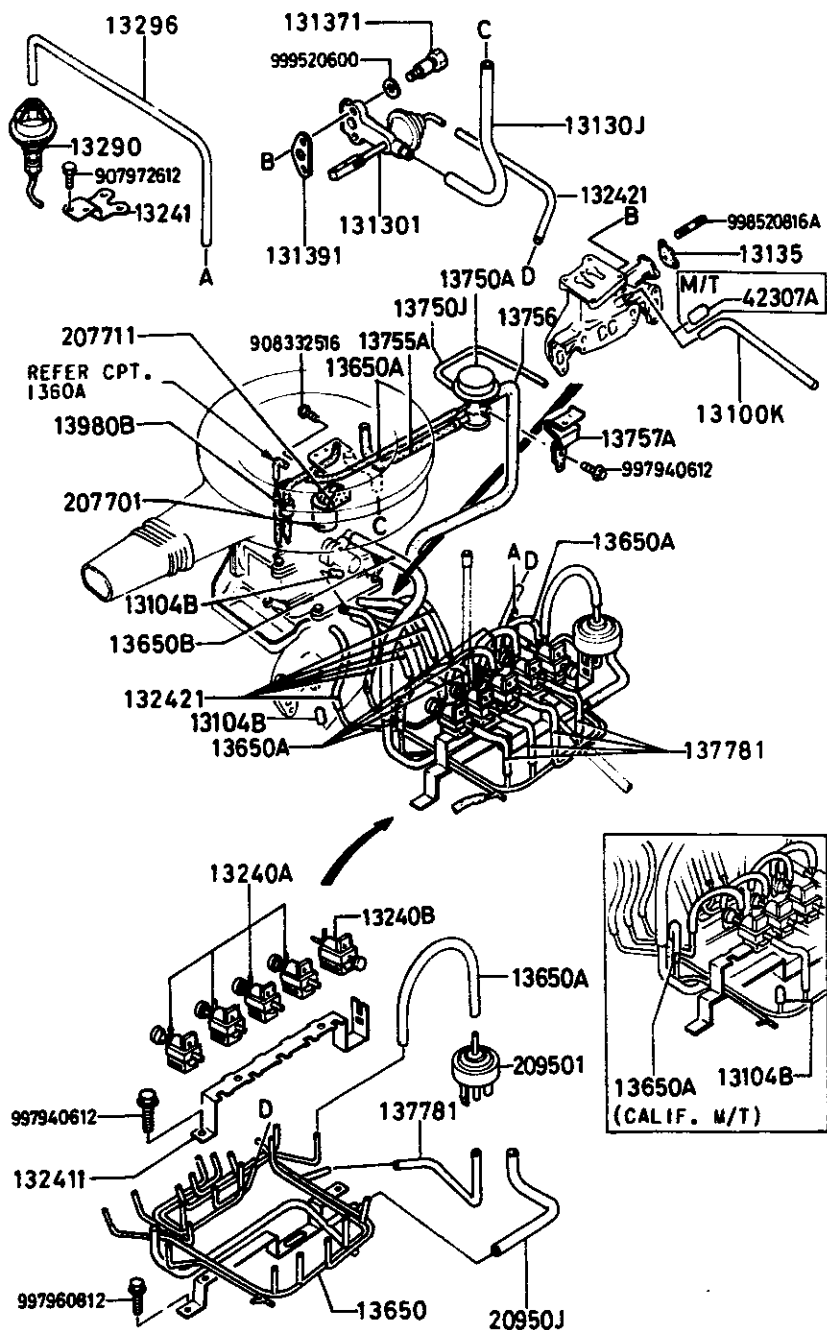


**1371A-1 EMISSION CONTROLS  
(AIR PUMP & CONTROL VALVE)**



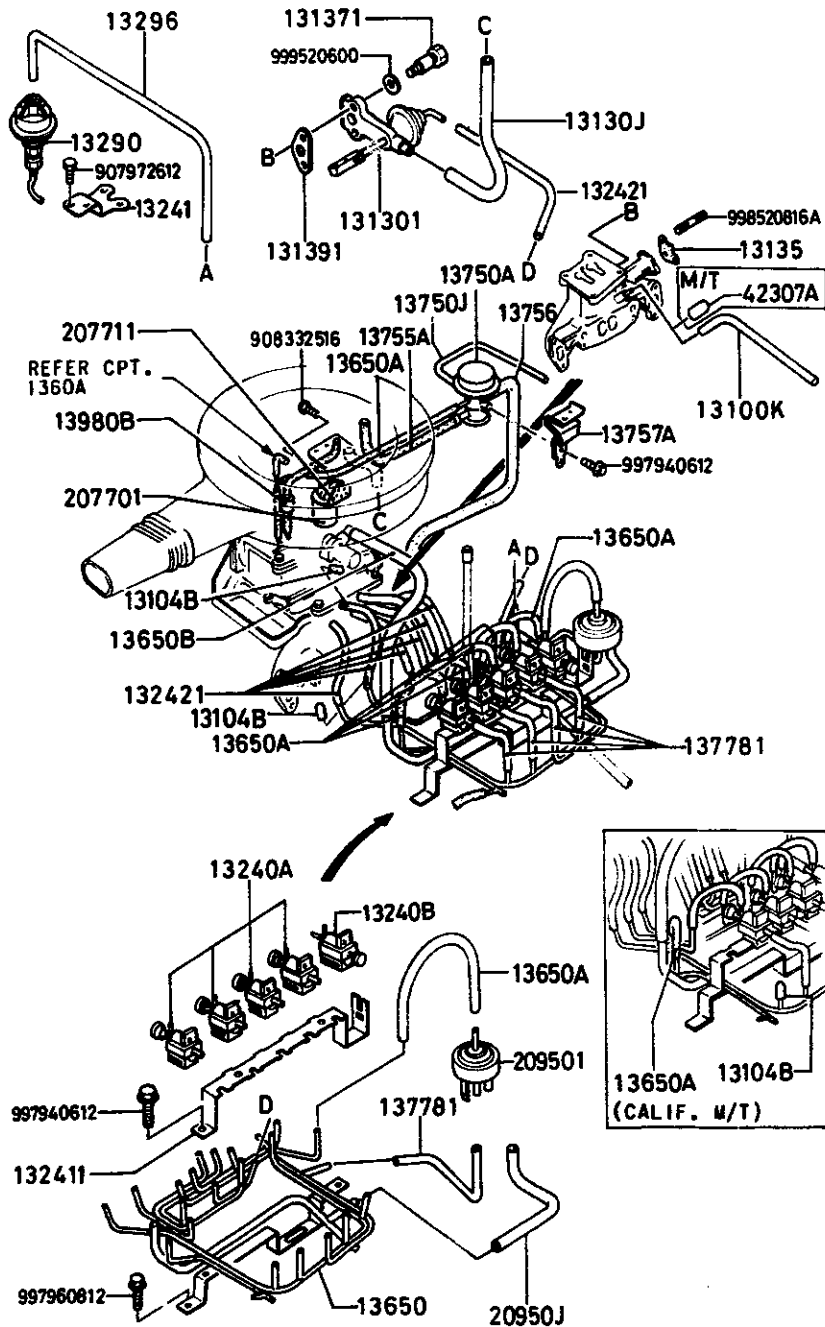
ITEM NO.	D-CODE	DESCRIPTION	PART NO.	QTY	MODEL/DESCRIPTION	REMARKS
	13 7141	STRAP, AIR PUMP	1757-13-714	1		
	13 7151	V-BELT	1757-13-715	1		
	13 7171	HOSE, AIR	1757-13-717	1		
	13 7181	HOSE, AIR	1480-13-718A	1		
	13 7201	VALVE, AIR CONTROL	N201-13-720	1	CAL.	
			N203-13-720	1	'81 & '82 MODELS FED.	
			N231-13-720	1	'83 MODEL FED.	
	13 7241	GASKET, AIR CONTROL VALVE	N201-13-724	1		
	13 7251	HOSE, AIR	N201-13-725	1		
	13 726	CLIP, AIR HOSE	1480-13-726	2		
	13 7301	VALVE, CHECK	1480-13-730	1		
	13 810	PUMP, AIR	1757-13-710B	1		
	23 7131	PULLEY, AIR PUMP	1757-23-713A	1		

**1380A-1 EMISSION CONTROLS  
(EXHAUST SIDE) ('81 & '82 MODELS)**



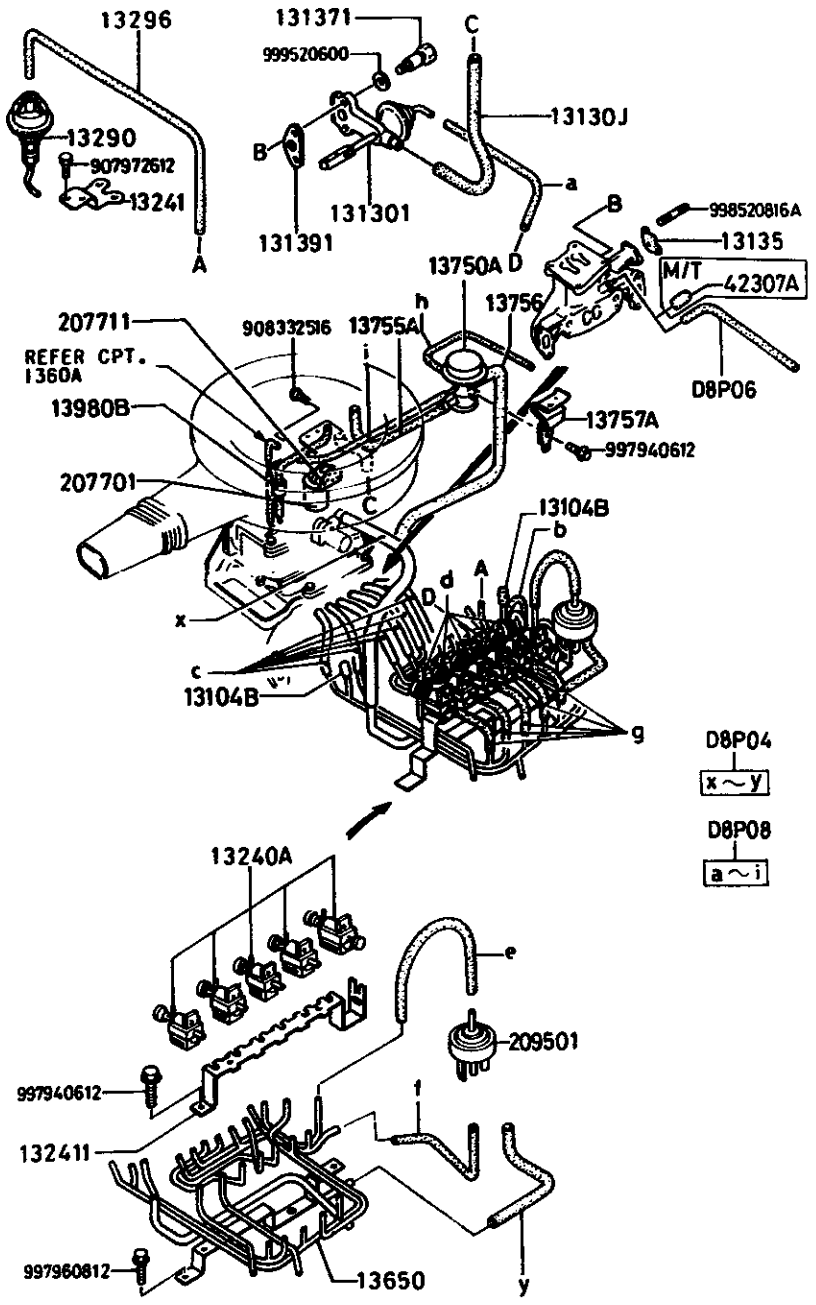
ITEM NO.	D-CODE	DESCRIPTION	PART NO.	QTY	MODEL/DESCRIPTION	REMARKS
13 100K		HOSE, VACUUM	9935-10-6999		A/T BULK QTY.	
13 104B		CAP	1010-13-104	1	M/T CAL.	
				3	FED.	
					A/T CAL.	
13 1301		DIAPHRAGM, SHUTTER VALVE	1480-13-130A	1		
13 130J		HOSE, AIR	1480-13-727A	1		
13 135		GASKET	N201-13-135	1	CAL.	
			N203-13-135	1	FED.	
13 1371		BOLT, REAMER	1480-13-137A	2		
13 1391		GASKET, SHUTTER VALVE	1480-13-139B	1		
13 240A		VALVE, THREE-WAY	1481-13-240A	3	M/T CAL.	
				4	FED.	
					A/T CAL.	
13 240B		VALVE, THREE-WAY	1482-13-240A	1		
13 241		BRACKET, ACTUATOR	8871-13-291A	1		
13 2411		BRACKET	1480-13-241A	1		
13 2421		HOSE, VACUUM	9935-10-4999		BULK QTY.	
			9935-10-1999		M/T CAL.	
					A/T CAL.	
					FED.	
13 290		ACTUATOR	3648-13-290	1		
13 296		HOSE, AIR	8871-13-296B	1		
13 650		PIPE, VACUUM	N201-13-650A	1		
13 650A		HOSE, AIR	9935-10-4095	6		
13 650B		HOSE, AIR	9935-10-8999		BULK QTY.	
13 750A		VALVE, ANTI-AFTERBURN	N201-13-750	1		
13 750J		TUBE, VACUUM	9935-10-4999		BULK QTY.	
13 755A		HOSE, AIR	N201-13-755	1		
13 756		HOSE, AIR	N201-13-756	1		
13 757A		BRACKET	N201-13-757A	1		
13 7781		TUBE, VACUUM	9935-10-4999		BULK QTY.	
					M/T CAL.	
					A/T CAL.	
					FED.	
13 980B		VALVE, DELAY	N201-13-980A	1		
20 7701		VALVE, ALTITUDE COMPENSATOR	N201-20-770A	1		
			<A> N249-20-770	1		
20 7711		GASKET	N201-20-771	1		
20 9501		VALVE, PURGE	1480-20-950A	1		
20 950J		HOSE, AIR	9935-10-8999		BULK QTY.	
42 307A		CAP	0223-42-307	1	M/T	

**1380A-2 EMISSION CONTROLS  
(EXHAUST SIDE) ('81 & '82 MODELS)**



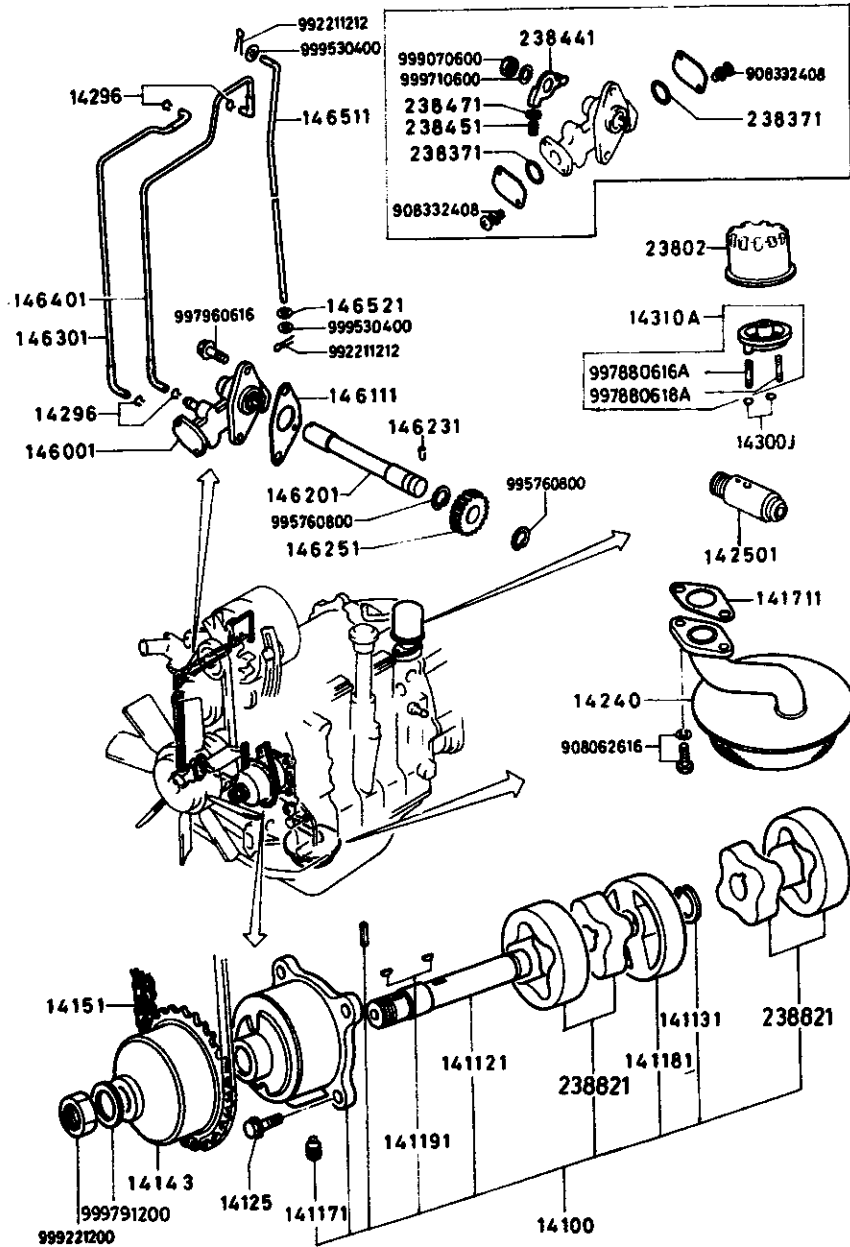
ITEM NO.	D-CODE	DESCRIPTION	PART NO.	QTY	MODEL/DESCRIPTION	REMARKS
		REFER TO RECALL CAMPAIGN NOS. 23702/2370C FOR EMISSION CONTROL INFO.				

**1380AA-1 EMISSION CONTROLS  
(EXHAUST SIDE) ('83 MODEL)**



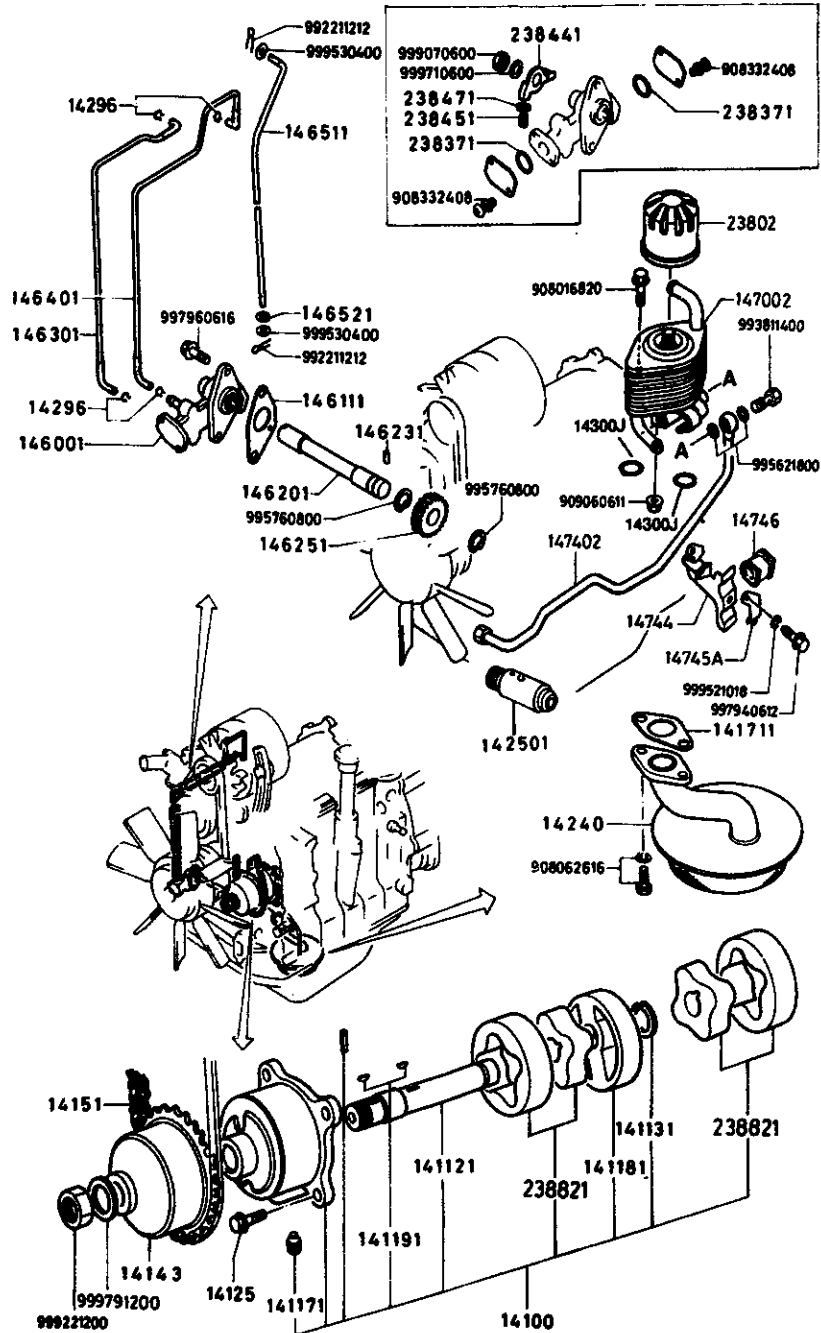
ITEM NO.	D.CODE	DESCRIPTION	PART NO.	QTY	MODEL/DESCRIPTION	REMARKS
13 1048		CAP	1010-13-104	2		
13 1301		DIAPHRAGM, SHUTTER VALVE	1480-13-130A	1		
13 130J		HOSE, AIR	1480-13-727A	1		
13 135		GASKET	N201-13-135	1	CAL.	
			N203-13-135	1	FED.	
13 1371		BOLT, REAMER	1480-13-137A	2		
13 1391		GASKET, SHUTTER VALVE	1480-13-139B	1		
13 240A		VALVE, THREE-WAY	1481-13-240A	5		
13 241		BRACKET, ACTUATOR	8871-13-291A	1		
13 2411		BRACKET	N225-13-241A	1		
13 290		ACTUATOR	3648-13-290	1		
13 296		HOSE, AIR	8871-13-296B	1		
13 650		PIPE, VACUUM	N231-13-650C		BULK QTY.	
13 750A		VALVE, ANTI-AFTERBURN	N201-13-750	1		
13 755A		HOSE, AIR	N201-13-755	1		
13 756		HOSE, AIR	N201-13-756	1		
13 757A		BRACKET	N201-13-757A	1		
13 980B		VALVE, DELAY	N231-13-980	1		
20 7701		VALVE, ALTITUDE COMPENSATOR	N201-20-770A	1		
20 7711		GASKET	N201-20-771	1		
20 9501		VALVE, PURGE	1480-20-950A	1		
42 307A		CAP	0223-42-307	1	M/T	
		REFER TO RECALL CAMPAIGN NOS. 23702/2370C FOR EMISSION CONTROL INFO.				
D8 P04		HOSE, AIR	9935-10-4999		BULK QTY.	
			9935-10-4095	9		
D8 P06		HOSE, AIR	9935-10-6999		BULK QTY. A/T	
D8 P08		HOSE, AIR	9935-10-8999		BULK QTY.	

**1400A-1 OIL PUMP & FILTER ('81 & '82 MODELS)**



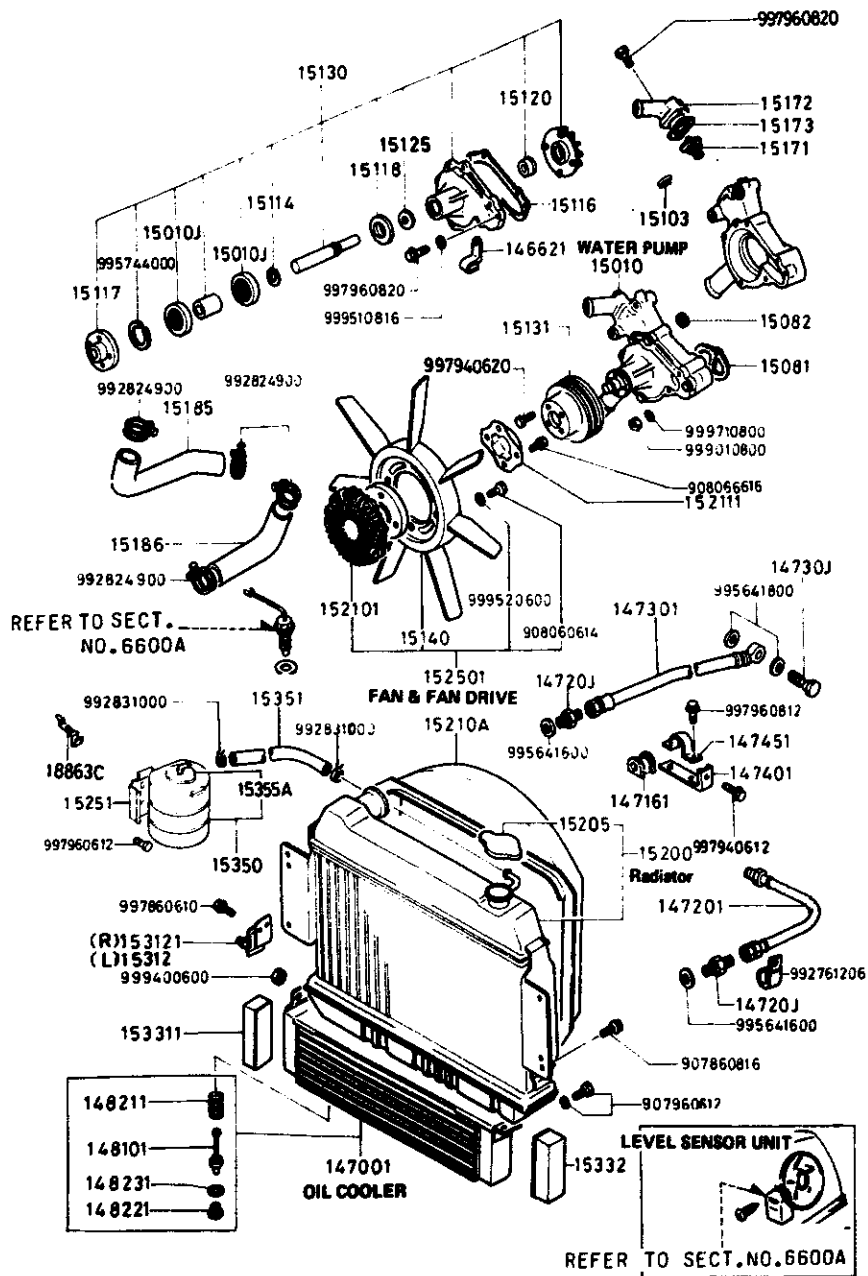
ITEM NO.	D-CODE	DESCRIPTION	PART NO.	QTY	MODEL/DESCRIPTION	REMARKS
14 100		PUMP, OIL	8501-14-100	1		
14 1121		SHAFT, OIL PUMP	1757-14-112	1		
14 1131		RING, SNAP	0810-14-113	1		
14 1171		BOLT, LOCK	0839-14-117	1		
14 1181		PLATE, MIDDLE	8501-14-118	1		
14 1191		KEY	0839-14-119B	3		
14 125		BOLT, SET	8553-14-125	4		
14 143		WHEEL, SPROCKET	0839-14-141A	1		
14 151		CHAIN, OIL PUMP	0839-14-142	1		
14 1711		GASKET, OIL STRAINER	0810-14-171A	1		
14 240		STRAINER, OIL	8871-14-160	1		
14 2501		REGULATOR, PRESSURE	3648-14-250	1		
14 296		CLIP, OIL TUBE	0730-14-296	4		
14 300J		O-RING	9954-10-1601	2		
14 310A		BODY, OIL FILTER	8341-14-310	1		
14 6001		PUMP, METERING OIL	1757-14-600	1		
14 6111		GASKET, METERING OIL	1757-14-611	1		
14 6201		SHAFT, DRIVEN GEAR	0820-14-620A	1		
14 6231		PIN, DRIVEN GEAR	0813-14-623	1		
14 6251		GEAR, DRIVEN	0820-14-625A	1		
14 6301		TUBE, METERING OIL	8871-14-660B	1		
14 6401		TUBE, METERING OIL	8871-14-670B	1		
14 6511		ROD, CONNECTING	8871-14-651	1		
14 6521		SHIM, ADJUST	1757-14-652	1	(T=1.0)	
23 802		CARTRIDGE, OIL FILTER	B6Y1-14-302	1		
		<AN>	N3Y6-14-302	1		
23 8371		O-RING	0730-23-837	2		
23 8441		LEVER, CONTROL	1757-23-844	1		
23 8451		SCREW, ADJUST	0820-23-845A	1		
23 8471		NUT	0820-23-847A	1		
23 8821		ROTOR SET, OIL PUMP	8501-14-110	2		

**1400AA-1 OIL PUMP & FILTER ('83 MODEL)**



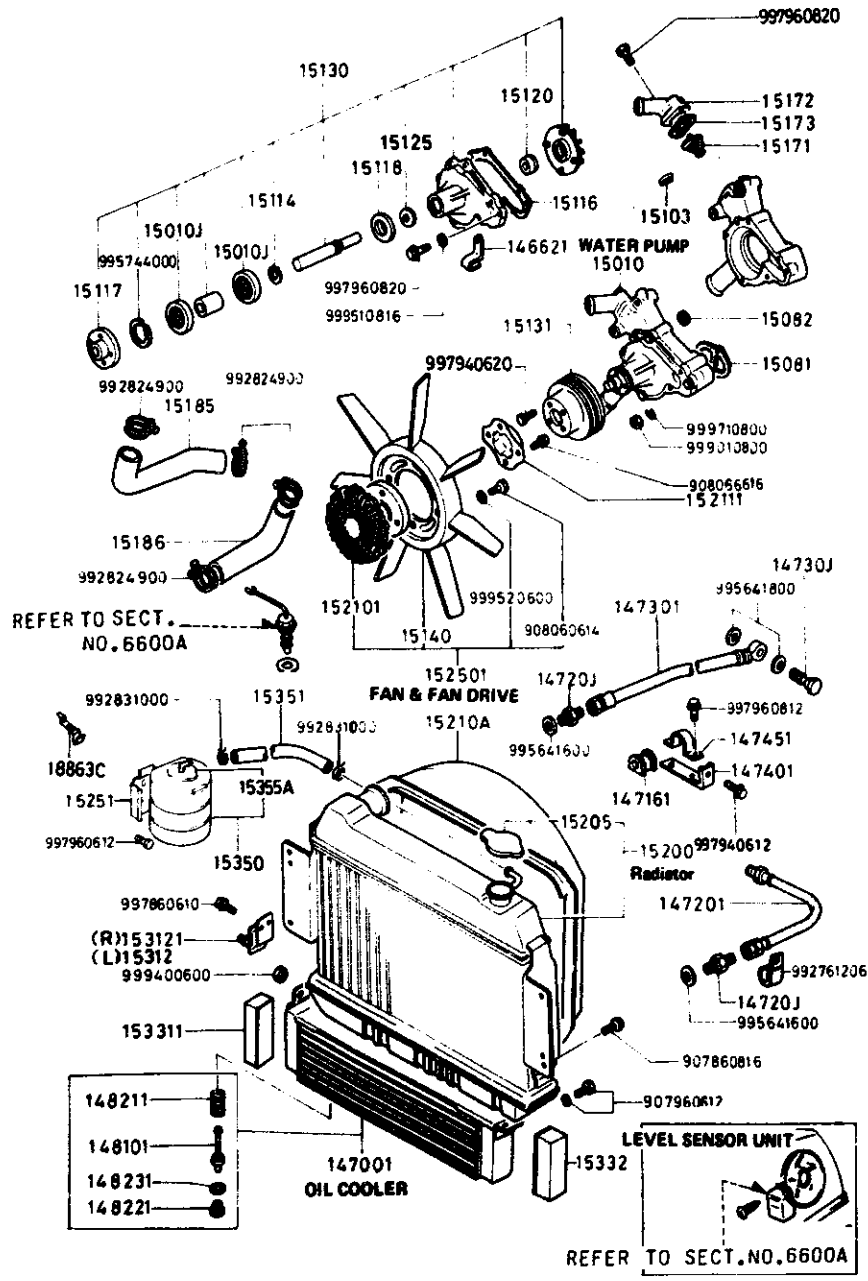
ITEM NO.	D-CODE	DESCRIPTION	PART NO.	QTY	MODEL/DESCRIPTION	REMARKS
14 100		PUMP, OIL	8553-14-100	1		
14 1121		SHAFT, OIL PUMP	8553-14-112	1		
14 1131		RING, SNAP	0810-14-113	1		
14 1171		BOLT, LOCK	0839-14-117	1		
14 1181		PLATE, MIDDLE	8553-14-118	1		
14 1191		KEY	0839-14-119B	3		
14 125		BOLT, SET	8553-14-125	4		
14 143		WHEEL, SPROCKET	0839-14-141A	1		
14 151		CHAIN, OIL PUMP	0839-14-142	1		
14 1711		GASKET, OIL STRAINER	0810-14-171A	1		
14 240		STRAINER, OIL	8871-14-160	1		
14 2501		REGULATOR, PRESSURE	3648-14-250	1		
14 296		CLIP, OIL TUBE	0730-14-296	4		
14 300J		O-RING	9954-10-1601	2		
14 6001		PUMP, METERING OIL	1757-14-600	1		
14 6111		GASKET, METERING OIL	1757-14-611	1		
14 6201		SHAFT, DRIVEN GEAR	0820-14-620A	1		
14 6231		PIN, DRIVEN GEAR	0813-14-623	1		
14 6251		GEAR, DRIVEN	0820-14-625A	1		
14 6301		TUBE, METERING OIL	8871-14-660B	1		
14 6401		TUBE, METERING OIL	8871-14-670B	1		
14 6511		ROD, CONNECTING	N225-14-651	1		
14 6521		SHIM, ADJUST	1757-14-652	1	(T=1.0)	
14 7002		COOLER, OIL	N231-14-700C	1		
14 7402		PIPE, OIL COOLER	N231-14-720B	1		
14 744		BRACKET, OIL PIPE	N231-14-744B	1		
14 745A		CLIP, OIL PIPE	N231-14-745B	1		
14 746		PROTECTOR	N231-14-746	1		
23 802		CARTRIDGE, OIL FILTER	N3Y6-14-302	1		
		REFER TO PARTS BULL. NOS. T-1-7 & T-1-8 FOR MORE INFO.				
23 8371		O-RING	0730-23-837	2		
23 8441		LEVER, CONTROL	1757-23-844	1		
23 8451		SCREW, ADJUST	0820-23-845A	1		
23 8471		NUT	0820-23-847A	1		
23 8821		ROTOR SET, OIL PUMP	8553-14-110	2		

**1500A-1 COOLING SYSTEM ('81 & '82 MODELS)**



ITEM NO.	D-CODE	DESCRIPTION	PART NO.	QTY	MODEL/DESCRIPTION	REMARKS
14 6621		CLIP	3565-14-662A	1		
14 7001		COOLER, OIL	8871-14-700A	1		
14 7161		PROTECTOR, OIL HOSE	0813-14-716	1		
14 7201		HOSE, OIL	1011-14-720	1		
14 720J		JOINT, UNION	9938-41-200F	2		
14 7301		HOSE, OIL	8871-14-730	1		
14 730J		CONNECTOR	9938-11-400	1		
14 7401		BRACKET, OIL HOSE	8871-14-742	1		
14 7451		CLIP, AIR HOSE	0839-14-745A	1		
14 8101		PELLET, THERMO	8871-14-810	1		
14 8211		SPRING, PELLET	1757-14-821	1		
14 8221		NUT, STOPPER	1757-14-822	1		
14 8231		GASKET	9956-42-200	1		
15 010		PUMP, WATER	1757-23-920G	1		
15 010J		BEARING, BALL	8871-15-121A	2		
15 081		GASKET	1757-15-105A	1		
15 082		GASKET	1757-15-106	2		
15 103		SPACER	8872-15-103	1		
15 114		RING, SNAP	1757-15-114	1		
15 116		GASKET, WATER PUMP	1757-15-132	1		
15 117		BOSS, WATER PUMP PULLEY	1757-23-927	1		
15 118		PLATE, DUST SEAL	1757-15-118	1		
15 120		SEAL, WATER	1757-15-120A	1		
15 125		PLATE, WATER BAFFLE	0118-15-125	1		FB331 ..500001-618134
15 130		COVER, WATER PUMP	N201-15-125A	1	'82 MODEL	FB331 ..618135-
15 131		PULLEY	N232-99-153A	1		
15 140		FAN, COOLING	1757-15-151B	1		
15 140		FAN, COOLING	3648-15-200A	1		
15 171		THERMOSTAT	8553-99-152	1		
15 172		COVER, THERMOSTAT	8872-15-170A	1		
15 173		GASKET	1757-15-173	1		
15 185		HOSE, WATER-UPPER	8871-15-511	1		
15 186		HOSE, WATER-LOWER	8871-15-521	1		
15 200		RADIATOR	N201-15-310B	1	M/T	
15 200		RADIATOR	N202-15-310B	1	A/T	
15 205		CAP, RADIATOR	8871-15-205	1		
15 2101		FAN DRIVE	N201-15-210B	1		
15 210A		COWLING, RADIATOR	8871-15-401A	1		
15 2111		SPACER, PULLEY	8872-15-211	1		
15 2501		FAN & FAN DRIVE	N201-15-250B	1		

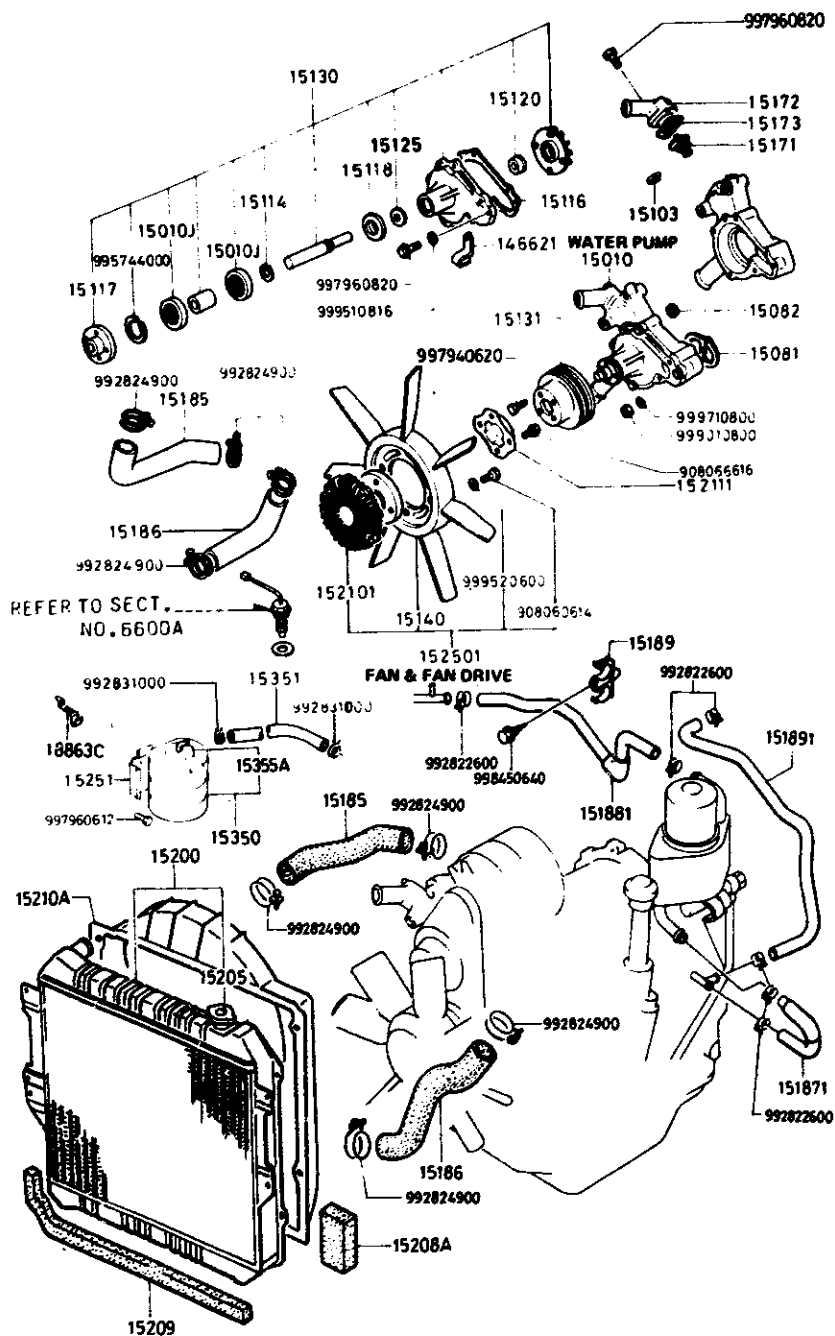
**1500A-2 COOLING SYSTEM ('81 & '82 MODELS)**



ITEM NO.	D-CODE	DESCRIPTION	PART NO.	QTY	MODEL/DESCRIPTION	REMARKS
15 251		BRACKET, SUB TANK	FA01-56-374	1		
15 312		RUBBER, INSULATION	8871-15-312	1		
15 3121		RUBBER, INSULATION	1128-15-312A	1		
15 3311		SEAL, AIR	8871-15-331	1		
15 332		SEAL, AIR	8871-15-332	1		
15 350		TANK, SUB	1052-15-350B	1		
15 351		HOSE, WATER	8871-15-351A	1		
15 355A		CAP, SUB TANK	1052-15-355A	1		
18 863C		CLIP	8156-18-863B	1		



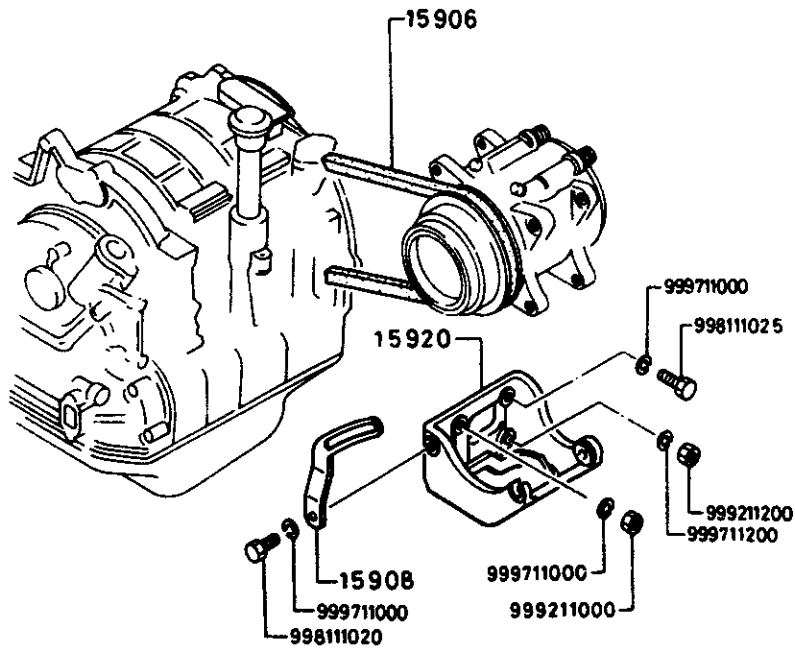
**1500AA-1 COOLING SYSTEM  
(83 MODEL)**



ITEM NO.	D-CODE	DESCRIPTION	PART NO.	QTY	MODEL/DESCRIPTION	REMARKS
14 6621		CLIP	3565-14-662A	1		
15 010		PUMP, WATER	8872-15-010I	1		
15 010J		BEARING, BALL	8871-15-121A	2		
15 081		GASKET	1757-15-105A	1		
15 082		GASKET	1757-15-106	2		
15 103		SPACER	8872-15-103	1		
15 114		RING, SNAP	1757-15-114	1		
15 115		SPACER, BEARING	1757-15-115B	1		
15 116		GASKET, WATER PUMP	1757-15-132	1		
15 117		BOSS, WATER PUMP PULLEY	1757-15-152B	1		
15 118		PLATE, DUST SEAL	1757-15-118A	1		
15 120		SEAL, WATER	1757-15-120A	1		
15 125		PLATE, WATER BAFFLE	N201-15-125A	1		
15 130		COVER, WATER PUMP	N232-99-153A	1		
15 131		PULLEY	1757-15-151B	1		
15 140		FAN, COOLING	3648-15-200A	1		
15 171		THERMOSTAT	8553-99-152	1		
15 172		COVER, THERMOSTAT	8872-15-170A	1		
15 173		GASKET	1757-15-173	1		
15 185		HOSE, WATER-UPPER	N231-15-511	1		
15 186		HOSE, WATER-LOWER	N231-15-521C	1		
15 1871		HOSE, WATER-COOLER	N231-15-530A	1		
15 1881		HOSE, WATER-COOLER	N231-15-540B	1		
15 189		CLAMP, HOSE	N231-15-545A	1		
15 1891		HOSE, WATER-HEATER	N231-15-550	1		
15 200		RADIATOR	N249-15-310	1	M/T	
			N232-15-310A	1	A/T	
15 205		CAP, RADIATOR	8871-15-205	1	M/T	
			SE01-15-205	1	A/T	
15 208A		SEAL, RADIATOR LOW	N231-15-331A	1		
15 209		SEAL, RADIATOR SIDE	N231-15-332A	1		
15 2101		FAN DRIVE	N201-15-2108	1		
15 210A		COWLING, RADIATOR	N231-15-4018	1		
15 2111		SPACER, PULLEY	8872-15-211	1		
15 2501		FAN & FAN DRIVE	N201-15-250B	1		
15 251		BRACKET, SUB TANK	FA01-56-374	1		
15 350		TANK, SUB	1052-15-350B	1		
15 351		HOSE, WATER	8871-15-351A	1		
15 355A		CAP, SUB TANK	1052-15-355A	1		
18 863C		CLIP	8156-18-863B	1		

**1580A-1 COMPRESSOR BRACKET, PULLEY & BELT (A/C)**

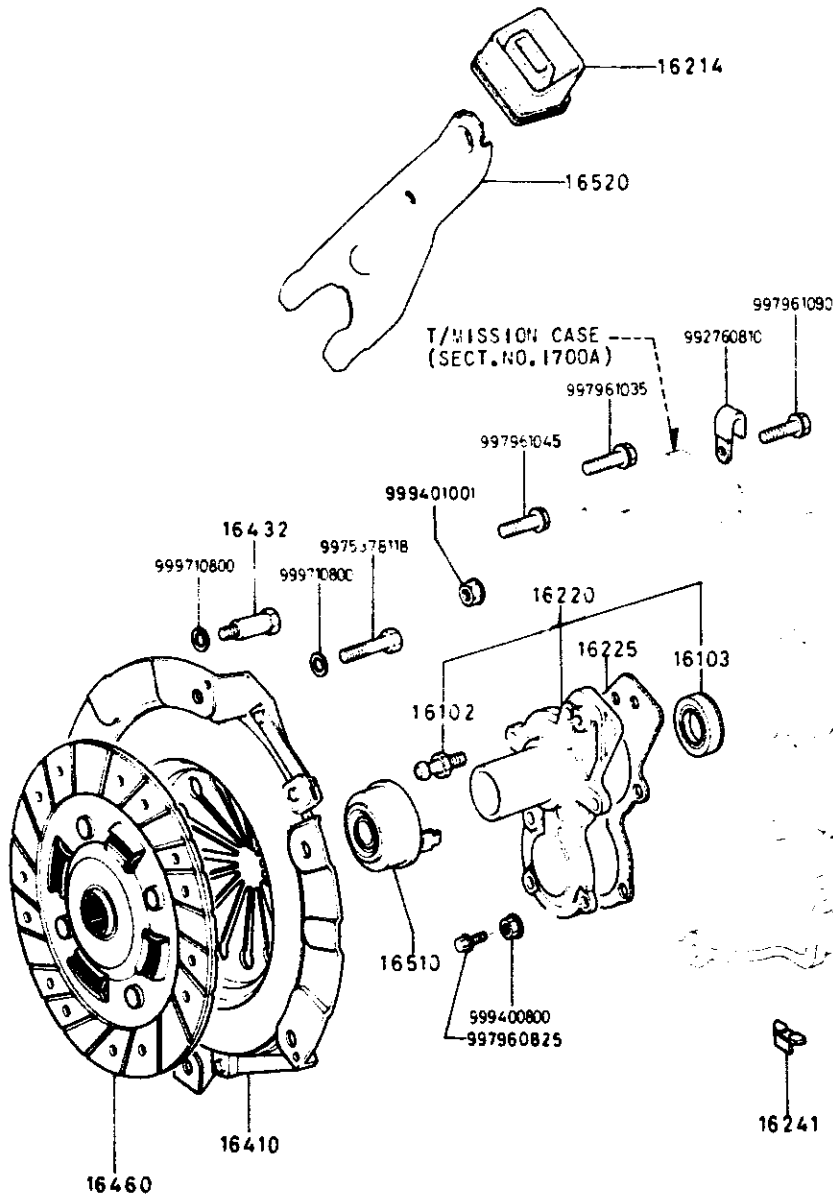
ITEM NO.	D-CODE	DESCRIPTION	PART NO.	QTY	MODEL/DESCRIPTION	REMARKS
15 906		V-BELT	0000-68-110-00	1		
15 908		STRAP	8562-15-908	1		
15 920		BRACKET, COMPRESSOR	8562-15-921	1		



# SECTION INDEX -- ENGINE

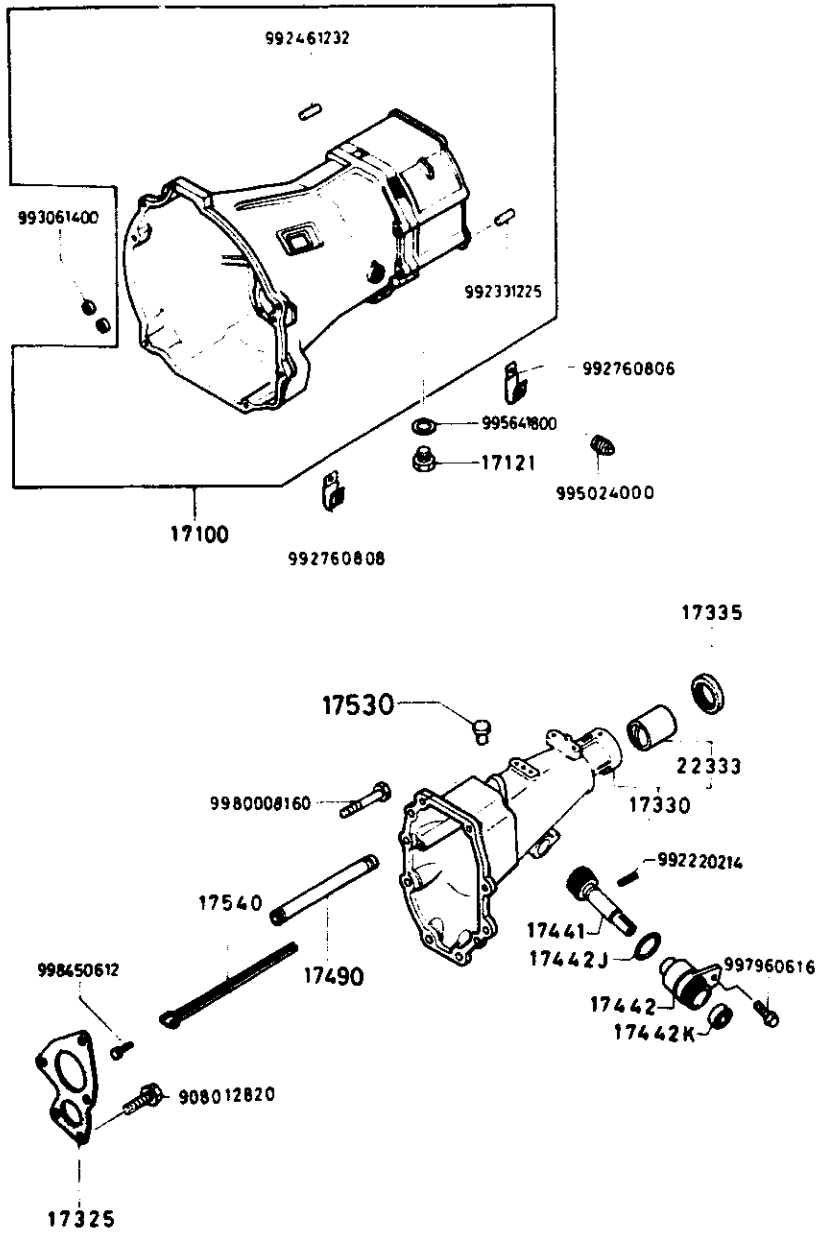
STARTING LOCATION	SECT. NO.	SECTION NAME	STARTING LOCATION	SECT. NO.	SECTION NAME	STARTING LOCATION	SECT. NO.	SECTION NAME
1 - C 3	1000A	SHORT ENGINE BLOCK & GASKET SETS	1 - C 6	1920A	CASE & MAIN CONTROLS (AUTOMATIC TRANSMISSION)			
1 - D 3	1030A	ROTOR HOUSING	1 - E 6	1930A	CLUTCH & PLANETARY GEAR (AUTOMATIC TRANSMISSION)			
1 - E 3	1040A	OIL PAN & REAR HOUSING	1 - G 6	1940A	LOW, REVERSE & GOVERNOR (AUTOMATIC TRANSMISSION)			
1 - G 3	1100A	ECCENTRIC SHAFT & FLYWHEEL	1 - H 6	1950A	MANUAL LINKAGE (AUTOMATIC TRANSMISSION)			
1 - H 3	1110A	ROTOR & RELATED						
1 - I 3	1300A	INTAKE MANIFOLD						
1 - J 3	1310A	EXHAUST MANIFOLD						
1 - K 3	1320A	FUEL SYSTEM						
1 - L 3	1330A	AIR CLEANER						
1 - M 3	1350A	STARTING ASSIST SYSTEM						
1 - N 3	1359A	CARBURETOR, REPAIR KIT, GASKET SET & SCREW SET						
1 - C 4	1360A	CARBURETOR COMPONENTS						
1 - E 4	1371A	EMISSION CONTROLS (AIR PUMP & CONTROL VALVE)						
1 - F 4	1380A	EMISSION CONTROLS (EXHAUST SIDE) ('81 & '82 MODELS)						
1 - H 4	1380AA	EMISSION CONTROLS (EXHAUST SIDE) ('83 MODEL)						
1 - I 4	1400A	OIL PUMP & FILTER ('81 & '82 MODELS)						
1 - J 4	1400AA	OIL PUMP & FILTER ('83 MODEL)						
1 - K 4	1500A	COOLING SYSTEM ('81 & '82 MODELS)						
1 - M 4	1500AA	COOLING SYSTEM ('83 MODEL)						
1 - N 4	1580A	COMPRESSOR BRACKET, PULLEY & BELT (A/C)						
1 - C 5	1600A	CLUTCH (MANUAL)						
1 - D 5	1700A	TRANSMISSION CASE (MANUAL)						
1 - E 5	1710A	TRANSMISSION GEAR (MANUAL)						
1 - G 5	1720A	CHANGE CONTROLS (MANUAL)						
1 - H 5	1800A	ELECTRICAL SYSTEM (ENGINE)						
1 - I 5	1820A	DISTRIBUTOR						
1 - J 5	1830A	ALTERNATOR						
1 - K 5	1840A	STARTER						
1 - M 5	1850A	BATTERY & CABLES						
1 - N 5	1910A	CONVERTER, OIL PUMP & PIPING (AUTOMATIC TRANSMISSION)						

**1600A-1 CLUTCH (MANUAL)**



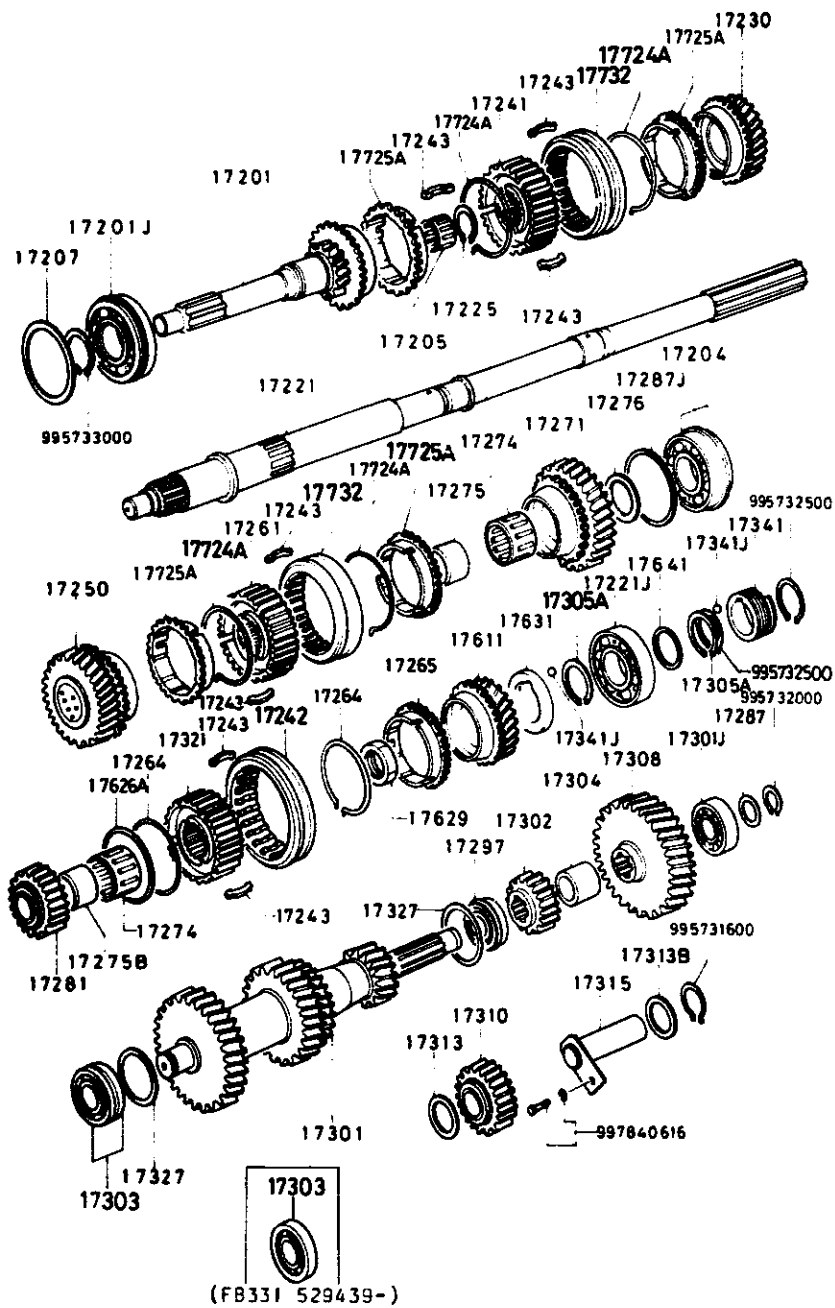
ITEM NO.	D-CODE	DESCRIPTION	PART NO.	QTY	MODEL/DESCRIPTION	REMARKS
16 102		PIN, PIVOT	0603-16-102B	1		
16 103		SEAL, OIL	0603-16-103	1		
16 214		COVER, DUST	3975-16-214A	1		
16 220		COVER, FRONT	8540-16-220A	1	'81 MODEL	
			8540-16-220D	1	'82 & '83 MODELS	
16 225		GASKET, FRONT COVER	8540-16-225	1		
16 241		PLUG, BLIND	8540-16-241A	1		
16 410		COVER, CLUTCH	1769-16-410A	1	'81 & '82 MODELS	
			N203-16-410A	1	'83 MODEL	
16 432		BOLT, REAMER	0839-16-432	2	'81 & '82 MODELS	
16 460		DISC, CLUTCH	0862-16-460F	1	'81 & '82 MODELS	
			N203-16-460B	1	'83 MODEL	
16 510		COLLAR, CLUTCH RELEASE	H606-16-510A	1		
16 520		FORK, CLUTCH RELEASE	8540-16-520A	1		

**1700A-1 TRANSMISSION CASE (MANUAL)**



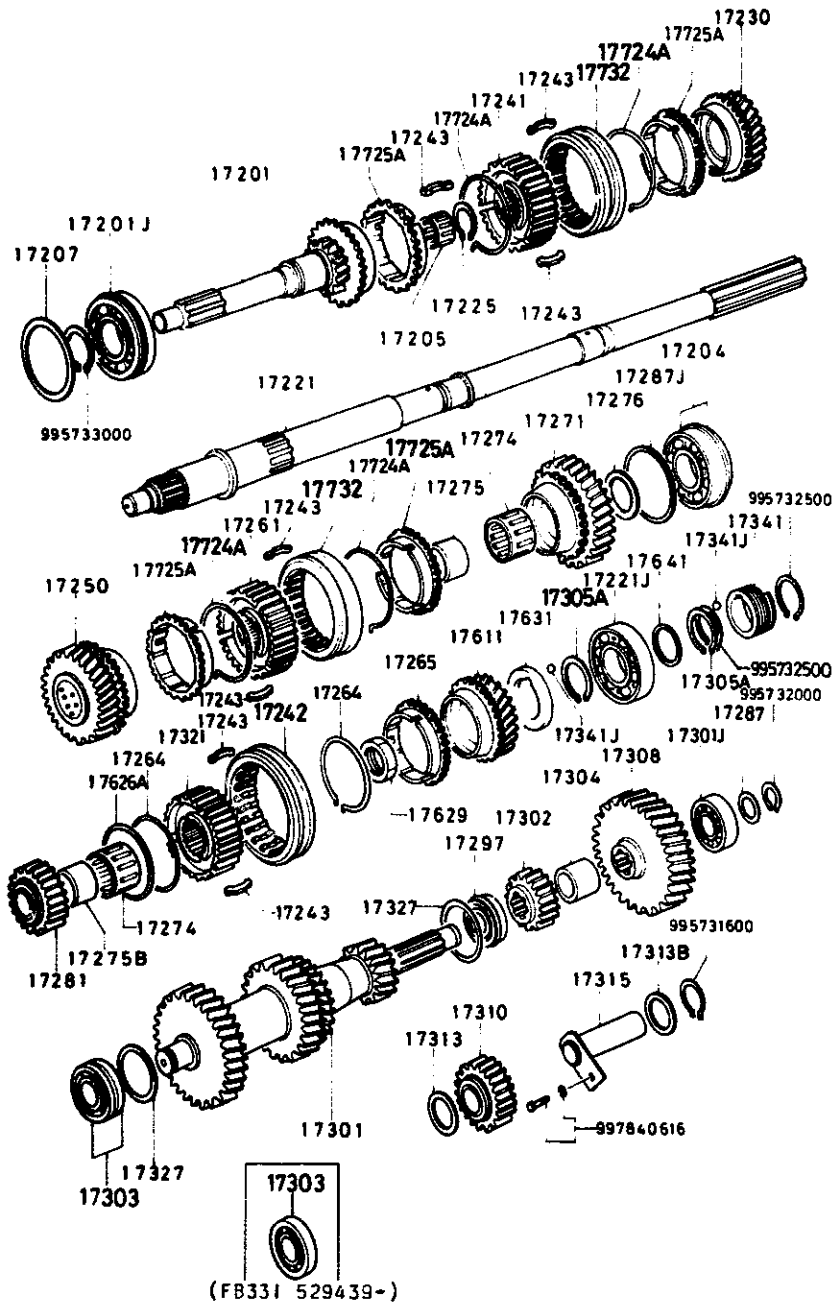
ITEM NO.	D-CODE	DESCRIPTION	PART NO.	QTY	MODEL/DESCRIPTION	REMARKS
17 100		CASE, TRANSMISSION	M503-17-100A	1		
17 121		PLUG, MAGNET DRAIN	0810-17-121	1		
17 325		COVER, BEARING	8086-17-326	1		
17 330		HOUSING, EXTENSION	M501-17-330B	1	'81 MODEL	
17 335		SEAL, OIL	0437-17-335A	1		
17 441		GEAR, DRIVEN	8057-17-441C	1		
17 442		SLEEVE, SPEEDOMETER	1011-17-442A	1		
17 442J		O-RING	1011-17-443	1		
17 442K		SEAL, OIL	9958-60-8166	1		
17 490		COVER	M501-17-490B	1		
17 530		BREATHER, AIR	0884-17-530	1		
17 540		PASS, OIL	M501-17-550A	1		
22 333		BUSHING	0398-22-333	1		

**1710A-1 TRANSMISSION GEAR (MANUAL)**



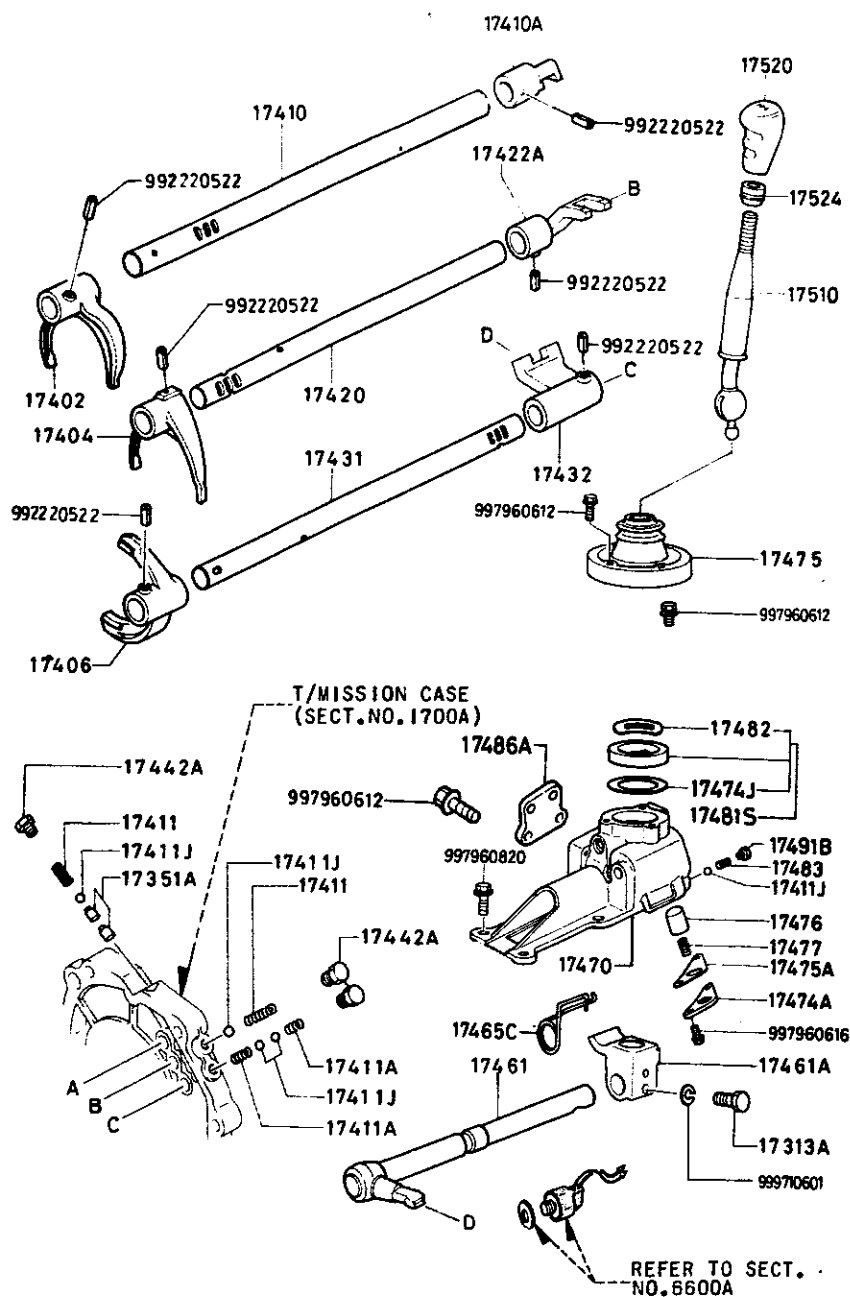
ITEM NO.	D-CODE	DESCRIPTION	PART NO.	QTY	MODEL/DESCRIPTION	REMARKS
17 201		GEAR, MAIN DRIVE	M501-17-201A	1		
17 201J		BEARING, BALL	M502-17-295C	1		
17 204		BEARING, BALL	M502-17-298A	1		
17 205		BEARING, ROLLER	0249-17-210B	1		
17 207		SHIM, ADJUST	9996-36-315	1	(T=0.15)	
			9996-36-330	1	(T=0.3)	
17 221		SHAFT, MAIN	M502-17-221	1		
17 221J		BEARING, BALL	M503-17-204	1		
17 225		RING, SNAP	0317-17-225	1		
17 230		GEAR, 3RD	M501-17-231	1		
17 241		HUB, CLUTCH	M508-17-261A	1		
17 242		SLEEVE, CLUTCH HUB	F401-17-242A	1		
17 243		KEY, SYNCHRONIZER	F401-17-243A	9		
17 250		GEAR, 2ND	M501-17-251	1		
17 261		HUB, CLUTCH	M509-17-261A	1		
17 264		SPRING, SYNCHRONIZER KEY	F401-17-264A	2		
			<A> F402-17-264	2		
17 265		RING, SYNCHRONIZER	F401-17-265A	1		
17 271		GEAR, 1ST	M501-17-271	1		
17 274		BEARING, NEEDLE	4069-17-283A	2		
17 275		RACE, INNER	8540-17-275A	1		
17 275B		RACE, INNER	4069-17-284E	1		
17 276		WASHER, THRUST	0259-17-276	2	(T=2.2)	
			0259-17-277	2	(T=2.7)	
			0259-17-274A	2	(T=3.0)	
			0259-17-278	2	(T=3.2)	
			0259-17-279	2	(T=3.7)	
17 281		GEAR, REVERSE	M501-17-281B	1		
17 287		SHIM, ADJUST	0419-17-288	1	(T=2.1)	
			0419-17-291	1	(T=2.2)	
			0419-17-292	1	(T=2.3)	
			0419-17-293	1	(T=2.4)	
17 287J		SHIM, ADJUST	9996-36-310	2	(T=0.1)	
			9996-36-330	2	(T=0.3)	
				1	'81 & '82 MODELS	
				1	'83 MODEL	
17 297		BEARING, BALL	0821-17-297	1		
17 301		GEAR, COUNTER SHAFT	M501-17-301B	1		
17 301J		BEARING, BALL	M502-17-299A	1		
17 302		GEAR, COUNTER REVERSE	8086-17-302C	1		
17 303		BEARING, BALL	8086-17-297	1	'81 MODEL	FB331 ..500001-529438

**1710A-2 TRANSMISSION GEAR (MANUAL)**



ITEM NO.	D-CODE	DESCRIPTION	PART NO.	QTY	MODEL/DESCRIPTION	REMARKS
17 303 (CONTD)			M502-17-297A	1	'82 & '83 MODELS	FB331 ..529439-
17 304		SPACER	8086-17-304A	1		
		<A>	M504-17-304	1		
17 305A		RING, RETAINING	0839-17-305B	2		
17 308		GEAR, COUNTER	M501-17-308A	1		
17 310		GEAR, REVERSE IDLE	8086-17-310B	1		
		<A>	8086-17-310C	1		
17 313		WASHER, THRUST	M501-17-313	1		
17 313B		WASHER, THRUST	4077-17-314A	1	(T=2.8)	
			4077-17-316	1	(T=2.6)	
			4077-17-315A	1	(T=3.0)	
17 315		SHAFT, REVERSE IDLE GEAR	8086-17-140A	1		
17 321		HUB, CLUTCH	M510-17-261	1		
17 327		SHIM, ADJUST	0305-17-327	2	(T=0.1)	
			0305-17-328	1	(T=0.3)	
17 341		GEAR, DRIVE	3728-17-341A	1		
17 341J		BALL, STEEL	9961-11-500	2	'81 & '82 MODELS	
17 611		GEAR, OVER TOP	M501-17-611B	1		
17 626A		RING, RETAINING	3648-17-626	1		
17 629		NUT, LOCK	8601-17-629	1		
17 631		WASHER, THRUST LOCK	0884-17-632A	1	(T=6.2)	
			0884-17-633A	1	(T=6.4)	
			0884-17-634A	1	(T=6.5)	
			0884-17-635A	1	(T=6.6)	
17 641		WASHER, ADJUST	0862-17-641A	1	(T=1.9)	
			0862-17-642A	1	(T=2.0)	
			0862-17-643A	1	(T=2.1)	
			0862-17-644A	1	(T=2.2)	
17 724A		SPRING, SYNCHRONIZER KEY	W501-17-724	4		
17 725A		RING, SYNCHRONIZER	W501-17-725A	4	'81 MODEL	FB331 ..500001-503735
			M501-17-245	4		FB331 ..503736-
17 732		SLEEVE, CLUTCH HUB	W501-17-732A	2		

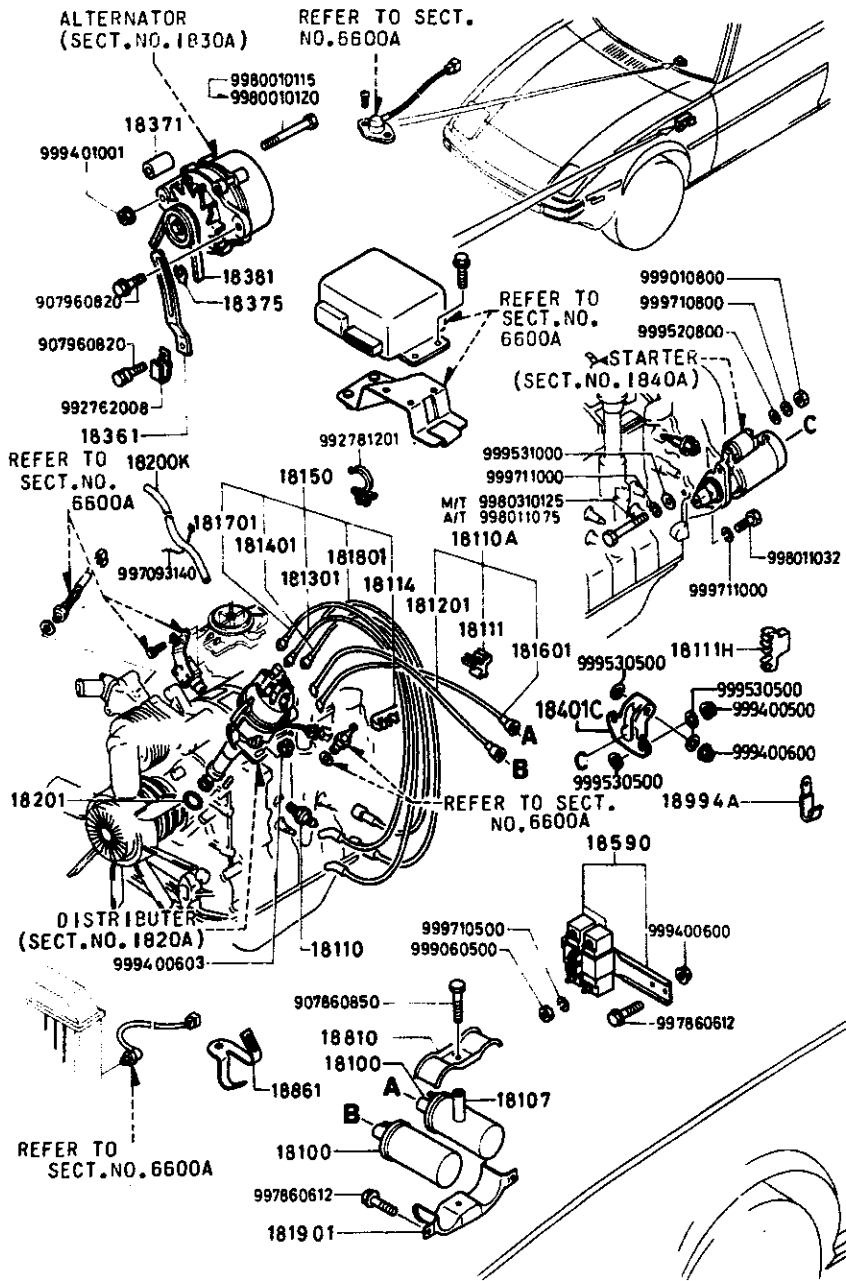
# 1720A-1 CHANGE CONTROLS (MANUAL)



ITEM NO.	D-CODE	DESCRIPTION	PART NO.	QTY	MODEL/DESCRIPTION	REMARKS
17 313A		SCREW SET	0118-17-313B	1		
17 351A		PIN, INTER LOCK	0114-17-351	2		
17 402		FORK, SHIFT (1ST & 2ND)	M501-17-402B	1		
17 404		FORK, SHIFT (3RD & 4TH)	M501-17-404B	1		
17 406		FORK, SHIFT	M501-17-406A	1	(OVER TOP & REVERSE)	
17 410		ROD, SHIFT (1ST & 2ND)	M503-17-411	1		
17 410A		END, SHIFT ROD (1ST & 2ND)	M501-17-412	1		
17 411		SPRING	0103-17-411	2		
17 411A		SPRING	0014-17-411	2		
17 411J		EALL, STEEL	9961-12-500	5	'81 & '82 MODELS	
17 420		ROD, SHIFT (3RD & 4TH)	M502-17-421A	1		
		< AN >	M503-17-421	1		
17 422		END, SHIFT ROD (3RD & 4TH)	M501-17-422	1		
17 431		ROD, SHIFT	M505-17-431A	1	(OVER TOP & REVERSE)	
17 432		END, SHIFT	M501-17-432	1	(OVER TOP & REVERSE)	
17 442A		PLUG, CAP	9951-01-000	3	'81 & '82 MODELS	
17 461		LEVER, CONTROL	M501-17-450	1		
17 461A		END, CONTROL ROD	M501-17-461A	1		
17 465C		SPRING, SELECT	M501-17-465B	1		
17 470		CASE, CHANGE CONTROL	M501-17-470A	1		
17 474A		CAP, SPRING	M501-17-474	1		
17 474J		SHIM, ADJUST	9996-33-130	1	'83 MODEL	
17 475		BOOT, DUST	M501-17-480A	1		
17 475A		GASKET, SPRING CAP	M501-17-475	1		
17 476		SPINDLE, SELECT LOCK	M502-17-476A	1		
17 477		SPRING	M501-17-477	1		
17 481S		BUSHING SET, CHANGE	0305-99-178	1	'81 & '82 MODELS	
			M503-99-178	1	'83 MODEL	
17 482		WASHER, WAVE	0303-17-482	1	'81 & '82 MODELS	
			M503-17-482A	1	'83 MODEL	
17 483		SPRING	0824-17-483	1		
17 486A		COVER, BLIND	M501-17-486A	1		
17 491B		CAP, SPRING	0183-17-491	1		
17 510		LEVER, CHANGE	M501-17-510E	1		
17 520		KNOB, CHANGE LEVER	M501-17-520	1		
		BLACK	00			
17 524		NUT, LOCK	M501-17-524	1		

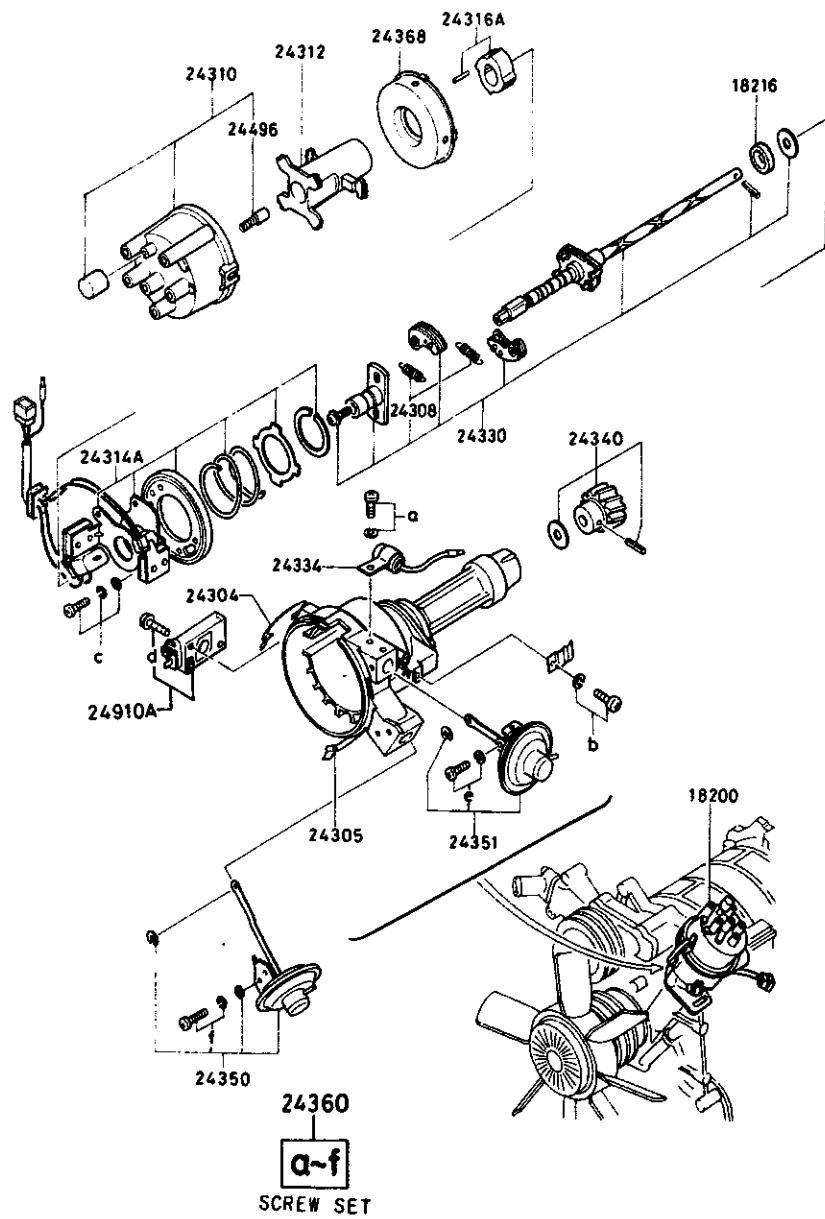


# 1800A-1 ELECTRICAL SYSTEM (ENGINE)



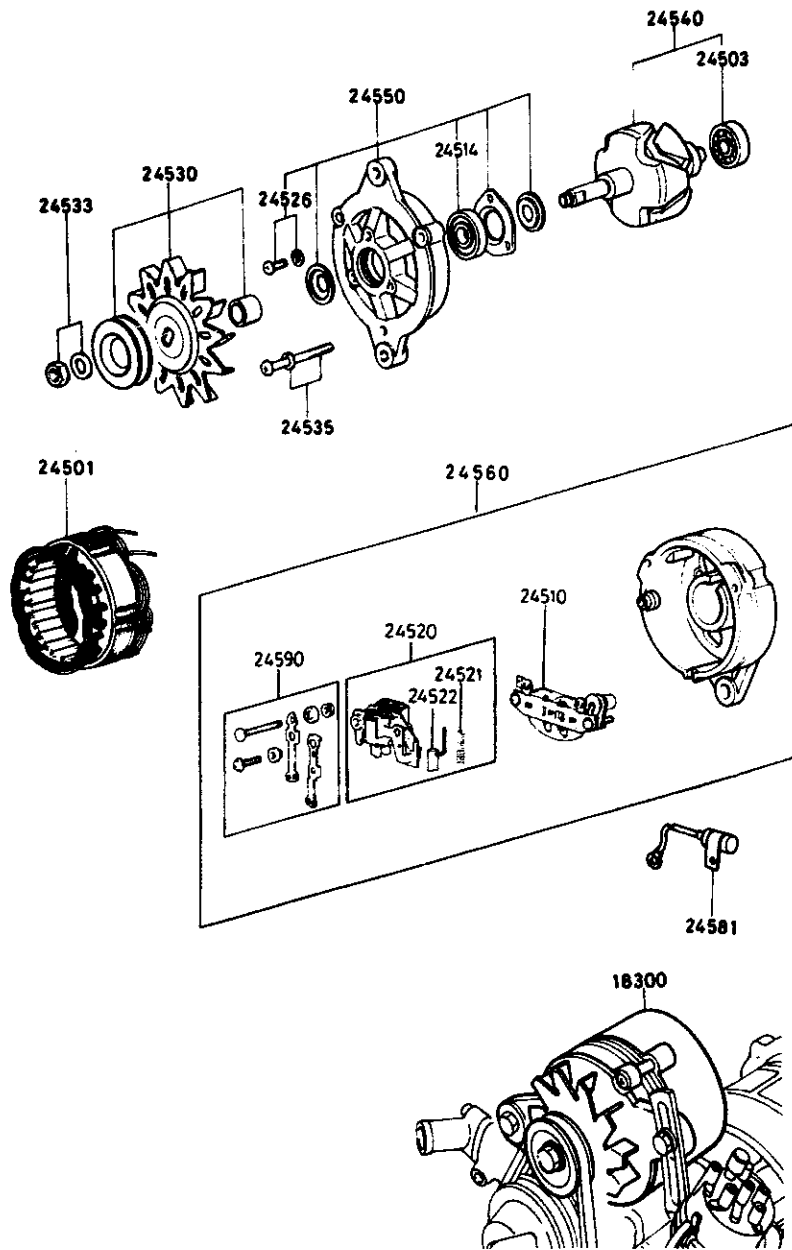
ITEM NO.	D-CODE	DESCRIPTION	PART NO.	QTY	MODEL/DESCRIPTION	REMARKS
18 100		COIL, IGNITION	1480-18-100	2	(HANSHIN MAKE)	
			8245-18-100	2	(MITSUBISHI MAKE)	
18 107		PIPE	8245-18-107	1		
18 110		PLUG, SPARK	N201-18-600	4	(BR8EQ-114 NGK)	
			8AF2-18-110A-BP		(BLISTER PACK)	
			N201-18-600	4	(W25EDR-14 DENSO)	
18 110A		WIRE, HIGH TENSION	8248-18-110	1		
			0000-18-097B	1	HIGH TENSION WIRE SET	
18 111		SUPPORTER	3648-18-111A	1		
18 111H		SUPPORTER	8871-18-111B	1		
18 114		SUPPORTER	0820-18-114	1		
18 1201		WIRE, HIGH TENSION	8248-18-120	1		
18 1301		WIRE, HIGH TENSION	1480-18-130B	1		
18 1401		WIRE, HIGH TENSION	0000-18-097B	1		
18 150		WIRE, HIGH TENSION	0000-18-097B	1		
18 1601		WIRE, HIGH TENSION	1480-18-160A	1		
18 1701		WIRE, HIGH TENSION	1480-18-170B	1		
18 1801		WIRE, HIGH TENSION	8871-18-180A	1		
18 1901		BRACKET, IGNITION COIL	8871-18-810A	1		
18 200K		TUBE, VACUUM	9935-10-4999		BULK QTY.	
18 201		O-RING	9954-10-3501	1		
18 361		STRAP, ALTERNATOR	1881-18-361A	1		
18 371		BRACKET, ALTERNATOR	1757-18-311	1		
18 375		SHIM	0222-18-375	1	(T=0.3)	
			0222-18-376	1	(T=0.5)	
			0222-18-377	1	(T=0.7)	
18 381		V-BELT	8311-18-381A	1		
18 401C		BRACKET, STARTER	N202-18-401	1		
18 590		BRACKET, RESISTOR	8871-18-195A	1		
18 810		BRACKET, IGNITION	8871-18-106C	1		
18 861		CLIP	8341-18-861A	1		
18 994A		CLIP, ENGINE HARNESS	1820-18-994	1		

# 1820A-1 DISTRIBUTOR



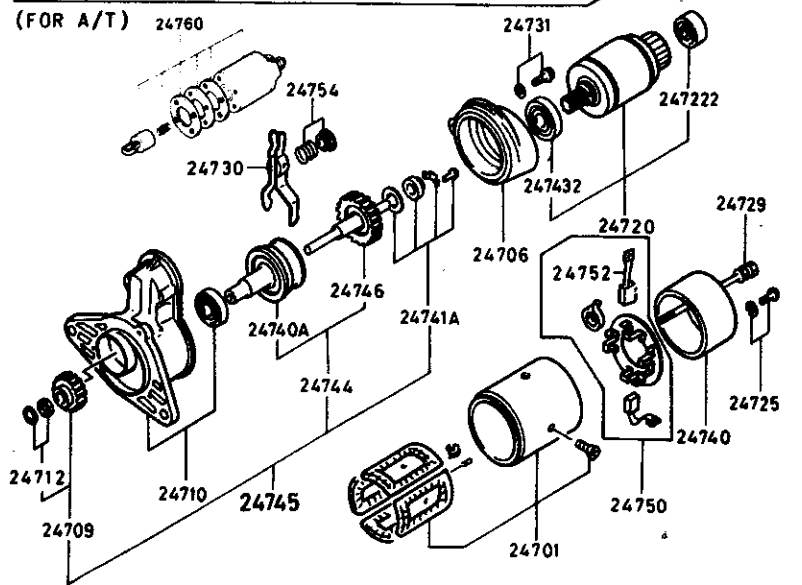
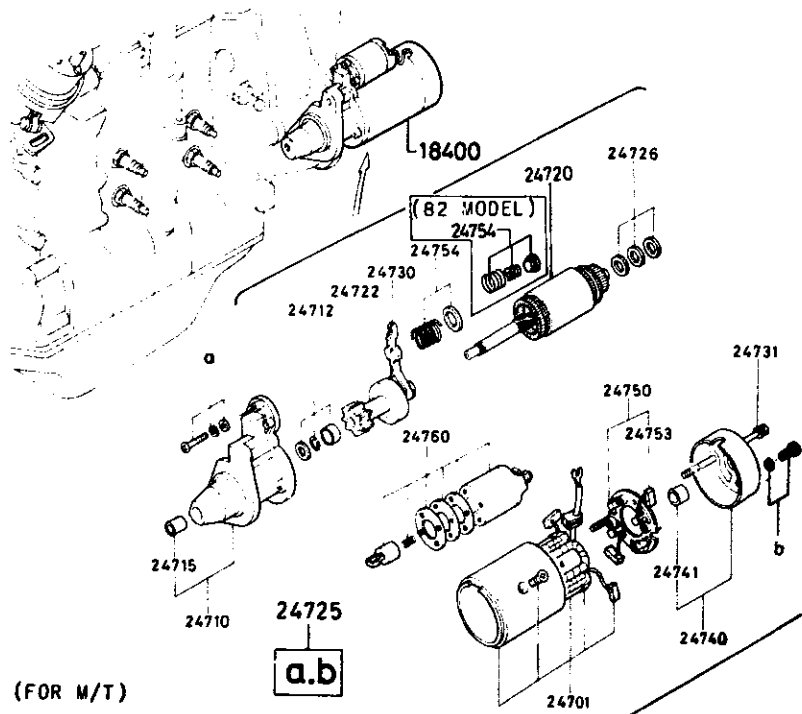
ITEM NO.	D-CODE	DESCRIPTION	PART NO.	QTY	MODEL/DESCRIPTION	REMARKS
18 200		DISTRIBUTOR	N201-18-200	1	'81 & '82 MODELS	
			N249-18-200A	1	'83 MODEL	
18 216		SEAL, OIL	0107-18-216A	1		
24 304		CLAMP	8245-24-304	1		
24 305		CLAMP	8245-24-305	1		
24 308		SPRING SET	1480-24-308	1		
24 310		CAP	8245-24-310B	1		
24 312		ROTOR	8245-24-303A	1		
		CAP & ROTOR	8AF1-24-310A-BP	1	(BLISTER PACK)	
24 314A		PICK-UP SET	8248-24-314	1		
			< A > N236-24-314	1		
24 316A		ROTOR SET, SIGNAL	8248-24-316	1		
24 330		GOVERNOR SET	N201-24-330	1		
24 334		CONDENSER	1757-24-334	1		
24 340		COUPLING SET	3648-24-340	1		
24 350		VACUUM SET	1480-24-350	1		
			< A > 1480-24-350A	1		
24 351		VACUUM SET	N201-24-351	1	'81 & '82 MODELS	
			N231-24-351	1	'83 MODEL	
24 360		SCREW SET	8248-24-360	1		
24 368		COVER	8245-24-368A	1		
24 496		CONTACT	1757-24-302	1		
24 910A		IGNITER SET	E301-24-910	2		

# 1830A-1 ALTERNATOR



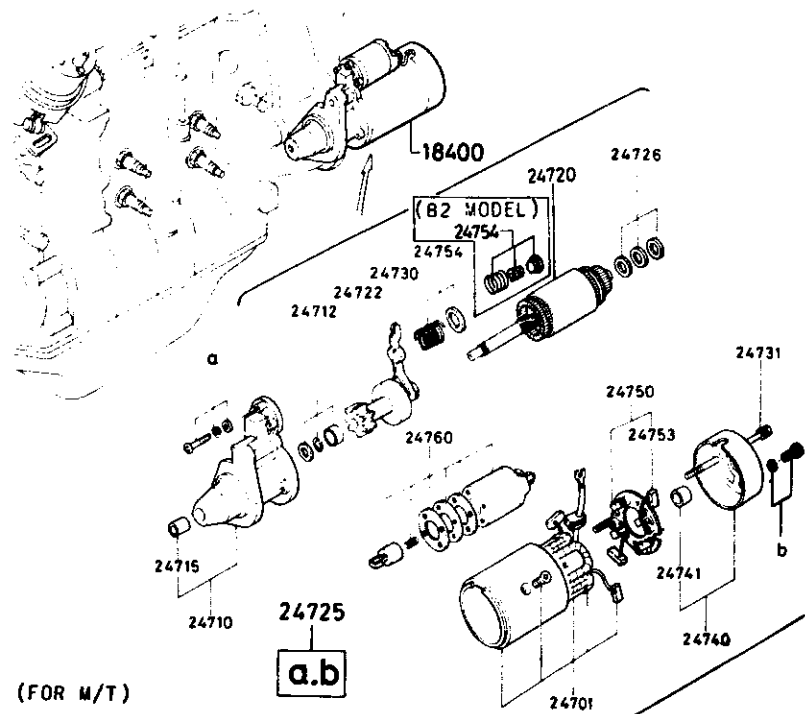
ITEM NO.	D-CODE	DESCRIPTION	PART NO.	QTY	MODEL/DESCRIPTION	REMARKS
18 300		ALTERNATOR REFER TO PARTS BULL. NOS. R-1 & R-5 FOR MORE INFO.	N221-18-300R	1	(REMANUFACTURED)	
24 501		STATOR	8173-24-501A N221-24-501	1	'81 MODEL '82 & '83 MODELS	
24 503		BEARING, BALL	0820-24-503	1		
24 510		RECTIFIER	8173-24-510A N221-24-510	1	'81 MODEL '82 & '83 MODELS	
24 514		BEARING, BALL	0114-18-327	1	'81 MODEL	
24 520		REGULATOR	8173-24-520 N221-24-520	1	'81 MODEL '82 & '83 MODELS	
24 521		SPRING, BRUSH	8173-24-521	2		
24 522		BRUSH	8173-24-522	2		
24 526		SCREW SET	1757-24-526	1		
24 530		PULLEY	1011-24-530 N221-24-530	1	'81 MODEL '82 & '83 MODELS	
24 533		NUT, SET	8028-24-533	1		
24 535		SCREW SET	8028-24-535	1		
24 540		ROTOR	8086-24-540A N221-24-540	1	'81 MODEL '82 & '83 MODELS	
24 550		BRACKET, FRONT	8173-24-550 N221-24-550	1	'81 MODEL '82 & '83 MODELS	
24 560		BRACKET, REAR	8173-24-560 N221-24-560	1	'81 MODEL '82 & '83 MODELS	
24 581		CONDENSER	8086-24-581	1	'81 MODEL	
24 590		TERMINAL SET	4130-24-590 GE01-24-590	1	'81 MODEL '82 & '83 MODELS	

# 1840A-1 STARTER



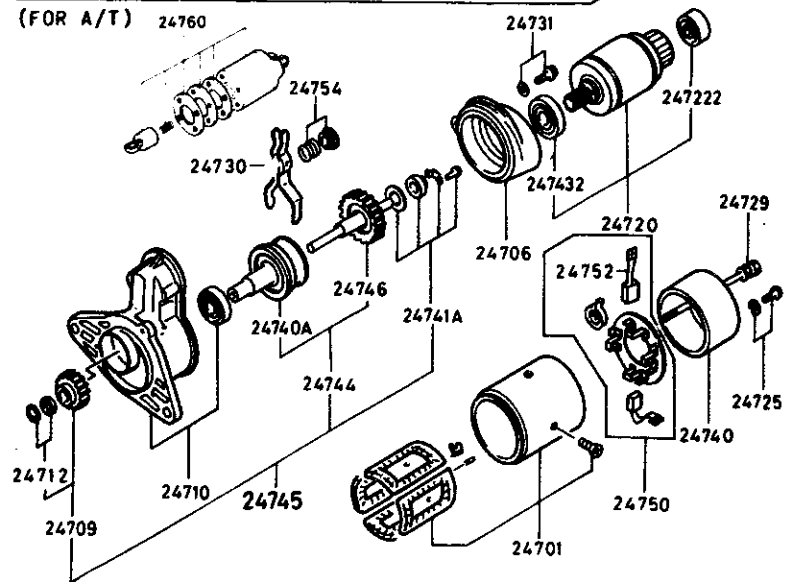
ITEM NO.	D-CODE	DESCRIPTION	PART NO.	QTY	MODEL/DESCRIPTION	REMARKS
18 400		STARTER	N221-18-400R	1	M/T (REMANUFACTURED)	
		REFER TO PARTS BULL. NOS. R-1 & R-5 FOR MORE INFO.				
			N202-18-400R	1	A/T (REMANUFACTURED)	
24 701		YOKE	N221-24-701	1	M/T	
			N202-24-730	1	A/T	
24 706		BRACKET, CENTER	N202-24-721	1	A/T	
24 709		PINION	N202-24-709	1	A/T	
24 710		BRACKET, FRONT	1757-24-710C	1	M/T '81 & '82 MODELS THRU OCT. '81 PROD.	FB331 ..500001-622565
			N221-24-710	1	M/T '82 & '83 MODELS THRU NOV. '81 PROD.	EB331 ..622566-
			N202-24-710A	1	A/T	
24 712		STOPPER SET	N202-24-712	1	A/T	
			0426-24-712A	1	M/T	
24 715		SLEEVE, BEARING	0426-24-715A	1	M/T '81 & '82 MODELS THRU OCT. '81 PROD.	FB331 ..500001-622565
			N221-24-715	1	M/T '82 & '83 MODELS FROM NOV. '81 PROD.	FB331 ..622566-
24 720		ARMATURE	3648-24-705	1	M/T '81 & '82 MODELS	FB331 ..500001-622565
			N221-24-705	1	'82 & '83 MODELS M/T	FB331 ..622566-
			N202-24-705	1	A/T	
24 722		CLUTCH, OVER RUNNING	3648-24-709	1	'81 & '82 MODELS M/T THRU OCT. '81 PROD.	FB331 ..500001-622565
			N221-24-709	1	'82 & '83 MODELS M/T FROM NOV. '81 PROD.	FB331 ..622566-
24 7222		BEARING	N202-24-722	1	A/T	
24 725		SCREW SET	8872-24-725	1	'81 MODEL M/T	FB331 ..500001-523691
			0426-24-725	1	M/T	FB331 ..523692-
			N202-24-728	1	A/T	
24 726		WASHER SET	0426-24-726	1	M/T	
24 729		BOLT	N202-24-729	2	'81 & '82 MODELS A/T	FB331 ..500001-610655
			N202-24-729A	1	'82 & '83 MODELS A/T	FB331 ..610656-
24 730		LEVER	0222-24-730	1	'81 MODEL M/T THRU MAR. '81 PROD.	FB331 ..500001-523691
			E301-24-730	1	'81 & '82 MODELS M/T MAR. '81 THRU OCT. '81 PROD.	FB331 ..523692-622565

# 1840A-2 STARTER



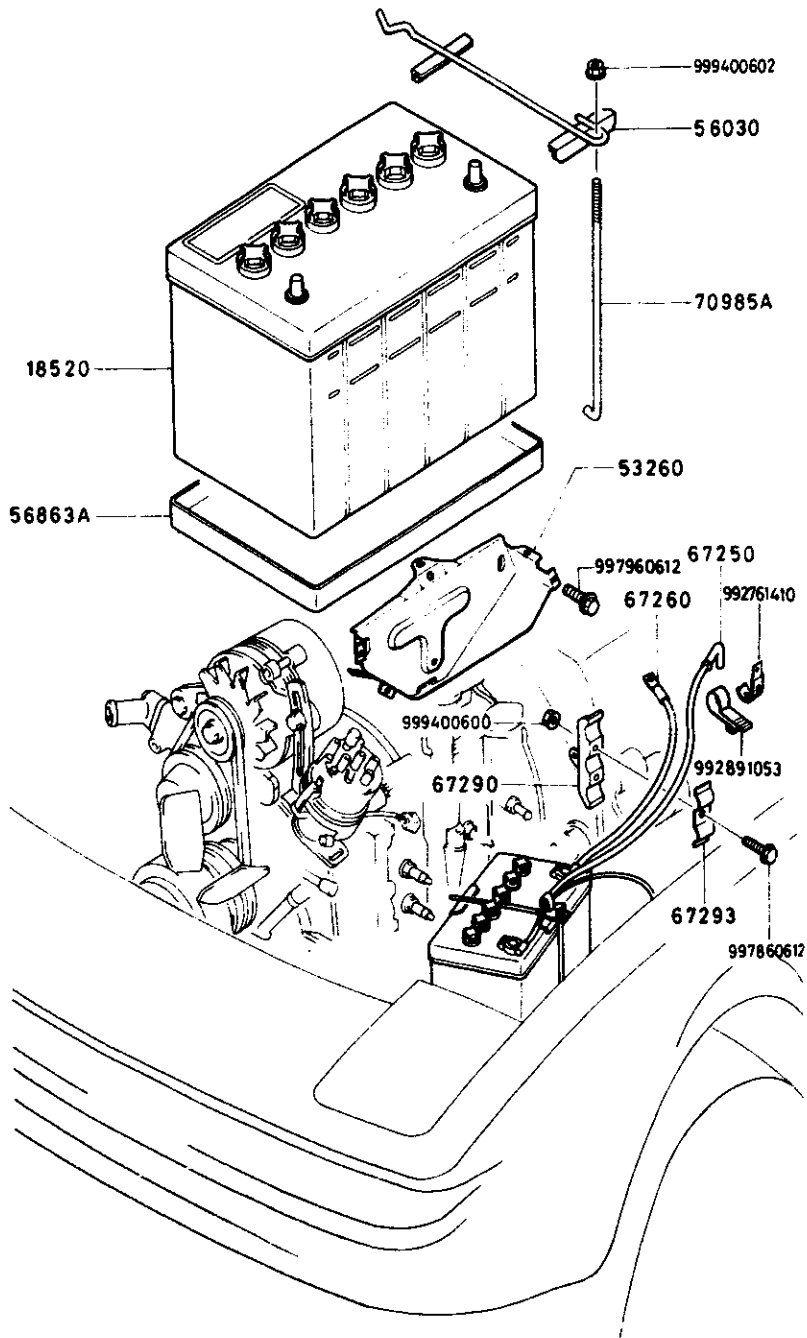
(FOR M/T)

(FOR A/T)



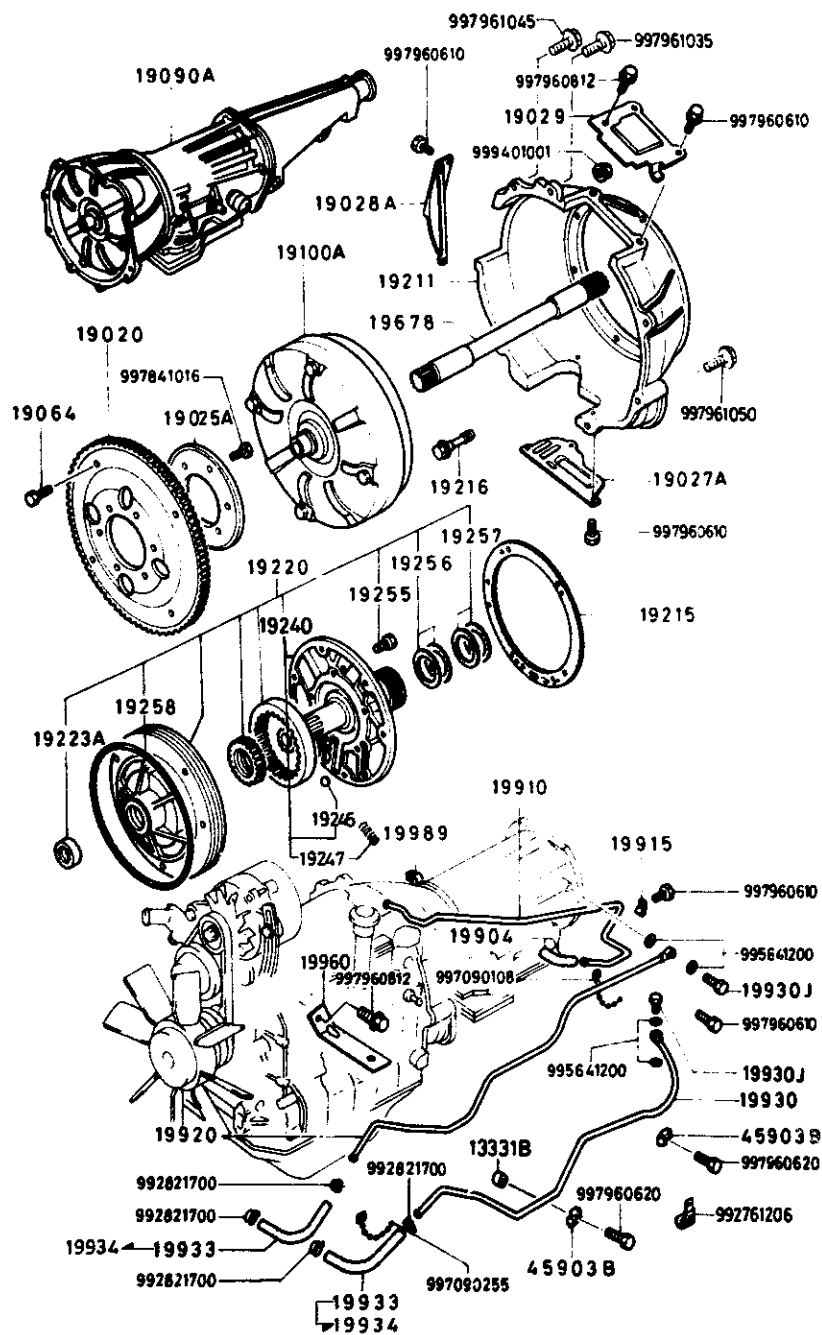
ITEM NO.	D-CODE	DESCRIPTION	PART NO.	QTY	MODEL/DESCRIPTION	REMARKS
24 730	(CONT'D)		N221-24-730	1	'82 & '83 MODELS	FB331 ..622566-
					M/T	
					FROM NOV. '81 PROD.	
			N202-24-716	1	A/T	
24 731		BOLT SET	0426-24-731	1	'81 & '82 MODELS	FB331 ..500001-622565
					M/T	
					THRU OCT. '81 PROD.	
			1030-24-731A	1	'82 & '83 MODELS	FB331 ..622566-
					M/T	
					FROM NOV. '81 PROD.	
			N202-24-731	1	A/T	
24 740		BRACKET, REAR	0222-24-740	1	M/T	
			N202-24-720	1	A/T	
24 740A		SHAFT	N202-24-740	1	A/T	
24 741		SLEEVE, BEARING	0222-24-741	1	M/T	
24 741A		COVER SET	N202-24-741	1	A/T	
24 7432		BEARING	N202-24-743	1	A/T	
24 744		GEAR SET	N202-24-744	1	A/T	
24 745		SHAFT, CLUTCH	N202-24-745	1	A/T	
24 746		GEAR	N202-24-746	1	A/T	
24 750		HOLDER, BRUSH	1758-24-750	1	'81 & '82 MODELS	FB331 ..500001-622565
					M/T	
					THRU OCT. '81 PROD.	
			E301-24-750	1	'82 & '83 MODELS	FB331 ..622566-
					M/T	
					FROM NOV. '81 PROD.	
			N202-24-750	1	A/T	
24 752		SPRING, BRUSH	0222-24-752A	4	A/T	
24 753		BRUSH, YOKE	0222-24-753	2	'81 & '82 MODELS	FB331 ..500001-622565
					M/T	
			E301-24-753	2	'82 & '83 MODELS	FB331 ..622566-
					M/T	
24 754		SPRING SET	N226-24-754	1	'82 & '83 MODELS	FB331 ..622566-
					M/T	
			0426-24-754	1	A/T	
24 760		SWITCH	1757-24-760	1	'81 & '82 MODELS	FB331 ..500001-622565
					M/T	
					THRU OCT. '81 PROD.	
			N226-24-760	1	'82 & '83 MODELS	FB331 ..622566-
					M/T	
					FROM NOV. '81 PROD.	
			8872-24-736	1	A/T	

**1850A-1 BATTERY & CABLES**



ITEM NO.	D-CODE	DESCRIPTION	PART NO.	QTY	MODEL/DESCRIPTION	REMARKS
18 520		BATTERY REFER TO ACC. BULL. NO. XG-4 FOR MORE BATTERY INFO.	0000-80-124K	1		
53 260		CARRIER, BATTERY	8871-54-260B	1		
56 030		CLAMP, BATTERY	8871-56-030A	1		
56 863A		TRAY, BATTERY	2113-54-295	1		
67 250		CABLE POSITIVE-BATTERY	8871-67-250A	1	M/T	
			8872-67-250B	1	A/T	
67 260		CABLE, GROUND-BATTERY	8871-67-260A	1		
67 290		CLIP, CABLE	1011-67-291A	1		
67 293		CLIP, CABLE	1011-67-293	1		
70 985A		BOLT, CLAMP	0613-65-857A	1		

**1910A-1 CONVERTER, OIL PUMP & PIPING  
(AUTOMATIC TRANSMISSION)**



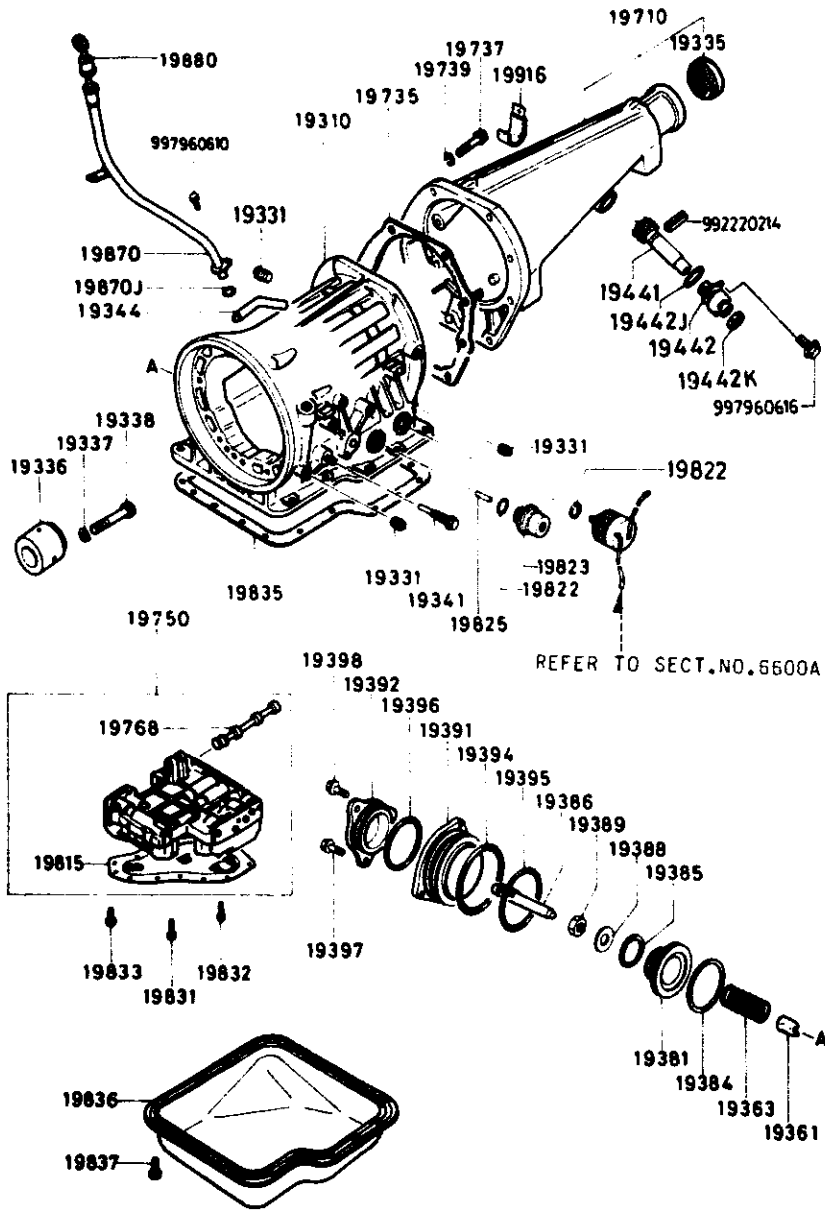
ITEM NO.	D-CODE	DESCRIPTION	PART NO.	QTY	MODEL/DESCRIPTION	REMARKS
13 331B		SPACER, OIL PIPE	2850-13-331	1		
19 020		PLATE, DRIVE	1758-19-020B	1		
19 025A		ADAPTER	0842-19-025	1		
19 027A		COVER, UNDER	1908-19-027	1		
19 028A		COVER, SIDE	0454-19-028A	1		
19 029		COVER, TOP	1758-19-028	1	'81 & '82 MODELS	
			AT09-19-028B	1	'83 MODEL	
19 064		BOLT	3649-19-064A	4		
19 090A		TRANSMISSION, COMPLETE	8872-19-090B	1	'81 & '82 MODELS	
			AT09-19-090	1	'83 MODEL	
19 100A		CONVERTER, TORQUE	1758-19-100	1		
19 211		HOUSING, CONVERTER	1758-19-211C	1		
19 215		GASKET, OIL PUMP	8U01-21-253	1		
19 216		BOLT	0338-19-216	6		
19 220		PUMP, OIL	1758-19-220	1		
19 223A		SEAL, OIL	0338-19-223A	1		
19 240		COVER	1758-19-240	1		
19 245		BALL	0338-19-245A	2		
19 247		SPRING	0338-19-247	1		
19 255		BOLT	0338-19-255	5		
19 256		RING, SEAL	8U01-19-256	2		
19 257		RING, SEAL	8U01-19-257	2		
19 258		SEAL, CUT RING	0338-19-258	1		
19 678		SHAFT, INPUT	0338-19-678	1		
19 904		HOSE, VACUUM	0338-19-904A	1		
19 910		PIPE, VACUUM	8872-19-911	1		
19 915		CLIP	0842-19-915A	1		
19 920		PIPE, OIL	8872-19-920	1	'81 & '82 MODELS	
			AT09-19-920A	1	'83 MODEL	
19 930		PIPE, OIL	8872-19-930A	1	'81 & '82 MODELS	
			AT09-19-930A	1	'83 MODEL	
19 930J		BOLT, CONNECTOR	9938-10-800	2		
19 933		HOSE, OIL	1840-19-933	2	'81 & '82 MODELS	
19 934		HOSE, OIL	AT11-19-934A	2	'83 MODEL	
19 960		BRACKET	AT09-19-961	1	'83 MODEL	
19 989		CLIP	2579-19-989	1		
45 903B		CLIP	8173-45-903	3		

# SECTION INDEX -- ENGINE

STARTING LOCATION	SECT. NO.	SECTION NAME	STARTING LOCATION	SECT. NO.	SECTION NAME	STARTING LOCATION	SECT. NO.	SECTION NAME
1 - C 3	1000A	SHORT ENGINE BLOCK & GASKET SETS	1 - E 6	1930A	CLUTCH & PLANETARY GEAR (AUTOMATIC TRANSMISSION)			
1 - D 3	1030A	ROTOR HOUSING	1 - G 6	1940A	LOW, REVERSE & GOVERNOR (AUTOMATIC TRANSMISSION)			
1 - E 3	1040A	OIL PAN & REAR HOUSING	1 - H 6	1950A	MANUAL LINKAGE (AUTOMATIC TRANSMISSION)			
1 - G 3	1100A	ECCENTRIC SHAFT & FLYWHEEL						
1 - H 3	1110A	ROTOR & RELATED						
1 - I 3	1300A	INTAKE MANIFOLD						
1 - J 3	1310A	EXHAUST MANIFOLD						
1 - K 3	1320A	FUEL SYSTEM						
1 - L 3	1330A	AIR CLEANER						
1 - M 3	1350A	STARTING ASSIST SYSTEM						
1 - N 3	1359A	CARBURETOR, REPAIR KIT, GASKET SET & SCREW SET						
1 - C 4	1360A	CARBURETOR COMPONENTS						
1 - E 4	1371A	EMISSION CONTROLS (AIR PUMP & CONTROL VALVE)						
1 - F 4	1380A	EMISSION CONTROLS (EXHAUST SIDE) ('81 & '82 MODELS)						
1 - H 4	1380AA	EMISSION CONTROLS (EXHAUST SIDE) ('83 MODEL)						
1 - I 4	1400A	OIL PUMP & FILTER ('81 & '82 MODELS)						
1 - J 4	1400AA	OIL PUMP & FILTER ('83 MODEL)						
1 - K 4	1500A	COOLING SYSTEM ('81 & '82 MODELS)						
1 - M 4	1500AA	COOLING SYSTEM ('83 MODEL)						
1 - N 4	1580A	COMPRESSOR BRACKET, PULLEY & BELT (A-C)						
1 - C 5	1600A	CLUTCH (MANUAL)						
1 - D 5	1700A	TRANSMISSION CASE (MANUAL)						
1 - E 5	1710A	TRANSMISSION GEAR (MANUAL)						
1 - G 5	1720A	CHANGE CONTROLS (MANUAL)						
1 - H 5	1800A	ELECTRICAL SYSTEM (ENGINE)						
1 - I 5	1820A	DISTRIBUTOR						
1 - J 5	1830A	ALTERNATOR						
1 - K 5	1840A	STARTER						
1 - M 5	1850A	BATTERY & CABLES						
1 - N 5	1910A	CONVERTER, OIL PUMP & PIPING (AUTOMATIC TRANSMISSION)						
1 - C 6	1920A	CASE & MAIN CONTROLS (AUTOMATIC TRANSMISSION)						

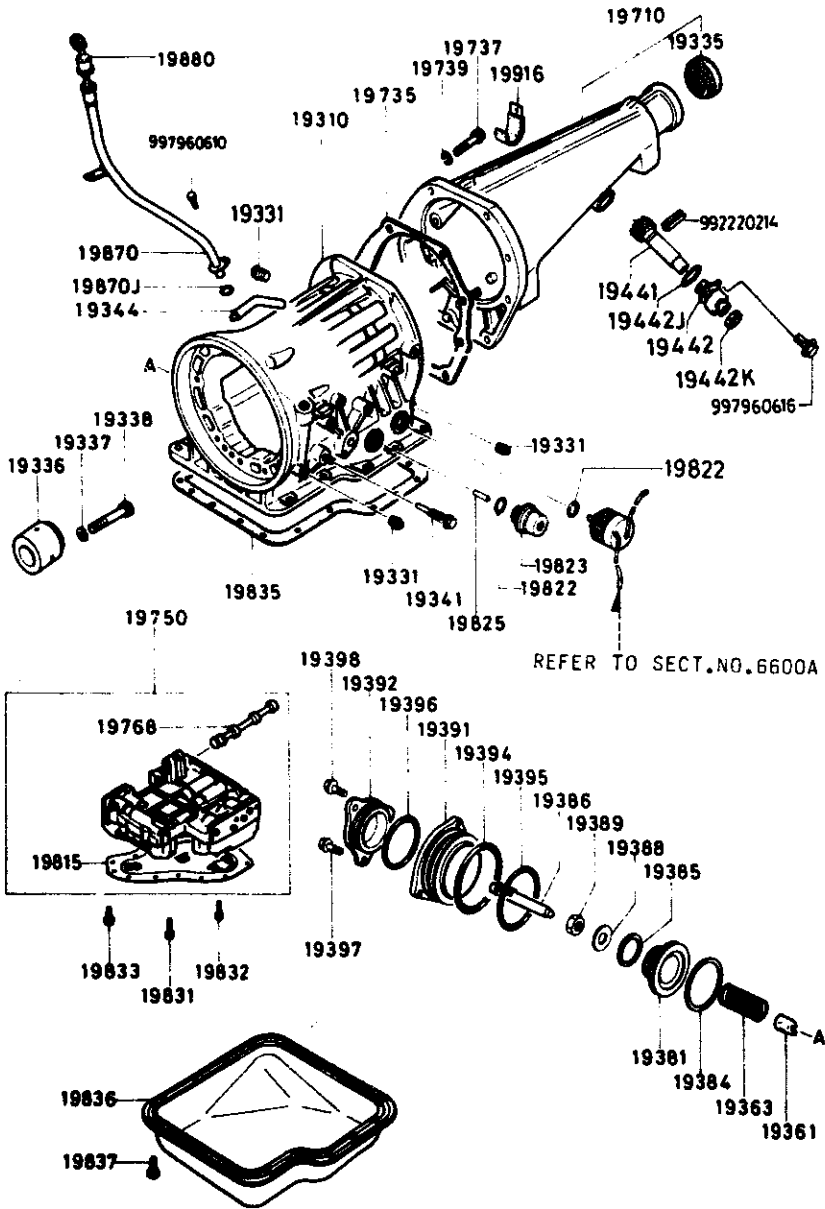


**1920A-1 CASE & MAIN CONTROLS  
(AUTOMATIC TRANSMISSION)**



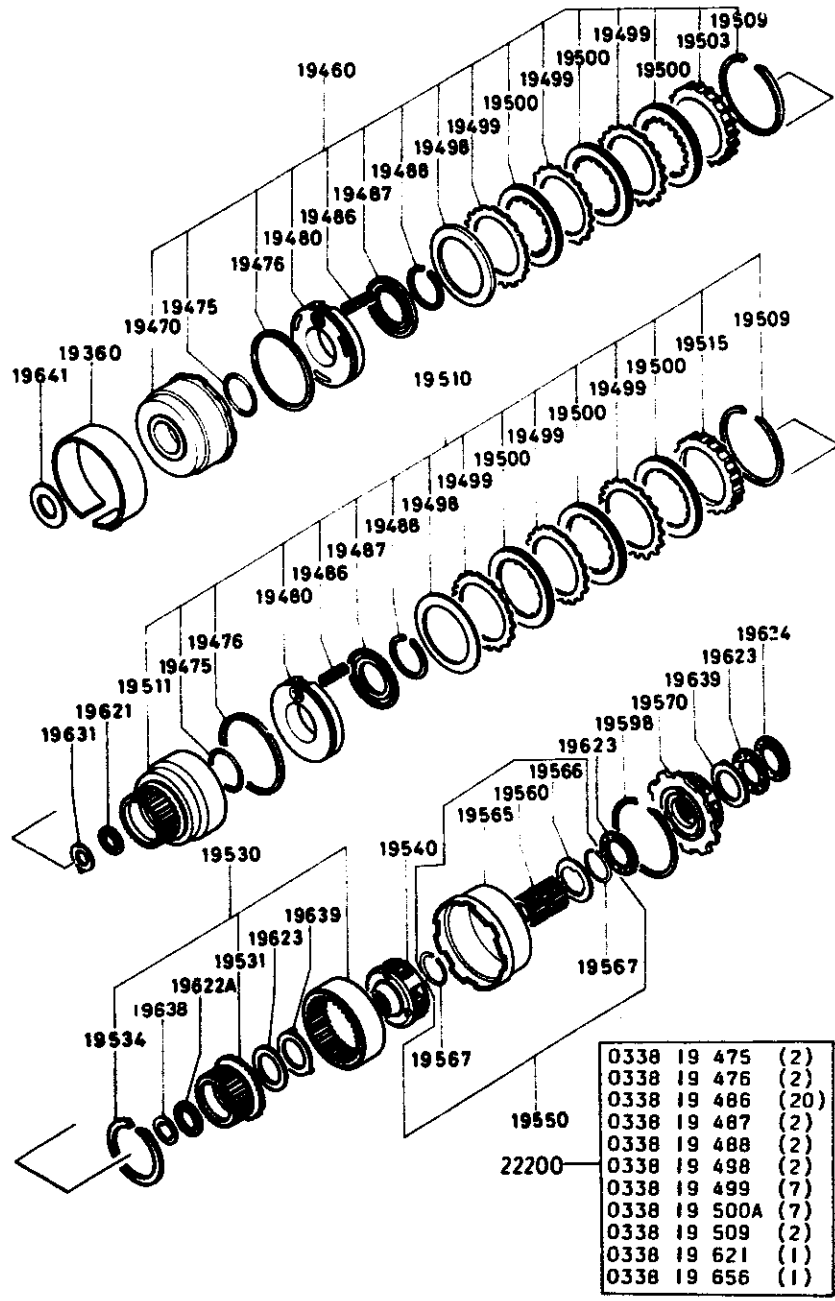
ITEM NO.	D-CODE	DESCRIPTION	PART NO.	QTY	MODEL/DESCRIPTION	REMARKS
19 310		CASE, TRANSMISSION	1758-19-310C	1	'81 & '82 MODELS	
			AT09-19-310	1	'83 MODEL	
19 331		PLUG, SQUARE HEAD	0338-19-331A	2		
19 335		SEAL, OIL	0437-17-335A	1		
19 336		RACE, INNER	0338-19-336	1		
19 337		WASHER, PLAIN	0338-19-337	8		
19 338		BOLT	0338-19-338	8		
19 341		BOLT, ANCHOR END	1758-19-341	1		
19 344		BREATHER, AIR	0378-19-344	1		
19 361		STRUT, BAND	0338-19-361B	1		
19 363		SPRING, PISTON RETURN	0338-19-363	1		
19 381		PISTON, BAND SERVO	0842-19-381	1		
19 384		SEAL, PISTON	0338-19-384	1		
19 385		SEAL, PISTON	0842-19-385	1		
19 386		STEM, PISTON	1758-19-386	1		
19 388		WASHER, PLAIN	0338-19-388A	1		
19 389		NUT	0338-19-389	1		
19 391		RETAINER, SERVO	1758-19-391A	1		
19 392		COVER, SERVO	1758-19-392A	1		
19 394		SEAL, LEATHER CUT	0842-19-394	1		
19 395		O-RING	0338-19-395	1		
19 396		O-RING	1758-19-394A	1		
19 397		BOLT	0338-19-398	3		
19 398		BOLT	1758-19-397	3		
19 441		GEAR, DRIVEN	8562-17-441A	1	'81 MODEL	FB331 ..500001-500075
			8057-17-441C	1		FB331 ..500076-
19 442		SLEEVE, SPEEDO GEAR	1011-17-442A	1		
19 442J		O-RING	1011-17-443	1		
19 442K		SEAL, OIL	9958-60-8166	1		
19 710		HOUSING, EXTENSION	1840-19-710	1		
19 735		GASKET, EXTENSION	0338-19-735	1		
19 737		BOLT	0338-19-737	8		
19 739		WASHER, PLAIN	0338-19-739	8		
19 750		VALVE, CONTROL	8872-19-750C	1		
19 768		VALVE, MANUAL	0338-19-768	1		
19 815		STRAINER, OIL	1758-19-815	1		
19 822		SEAL, O-RING	0338-19-822	2		
19 823		DIAPHRAGM, VACUUM	BT07-19-823	1		
19 825		ROD, DIAPHRAGM	0338-19-828	1	(L=29.0)	
			< AN > FT01-19-824	1		

**1920A-2 CASE & MAIN CONTROLS  
(AUTOMATIC TRANSMISSION)**



ITEM NO.	D-CODE	DESCRIPTION	PART NO.	QTY	MODEL/DESCRIPTION	REMARKS
19 825	(CONT'D)		0338-19-829	1	(L=29.5)	
			0338-19-825	1	(L=30.0)	
			0338-19-827	1	(L=30.5)	
			0338-19-826	1	(L=31.0)	
19 831		BOLT, CONTROL VALVE	0338-19-831	4		
19 832		BOLT, CONTROL VALVE	0338-19-832	2		
19 833		BOLT, CONTROL VALVE	0338-19-833	3		
19 835		GASKET, OIL PAN	1758-19-835	1		
19 836		PAN, OIL	1758-19-836	1		
19 837		BOLT, OIL PAN	0338-19-837	17		
19 870		TUBE, OIL LEVEL	8872-19-870A	1		
19 870J		O-RING	9954-10-1601	1		
19 880		DIPSTICK	8872-19-880	1		
19 916		CLIP	3876-19-916	2		

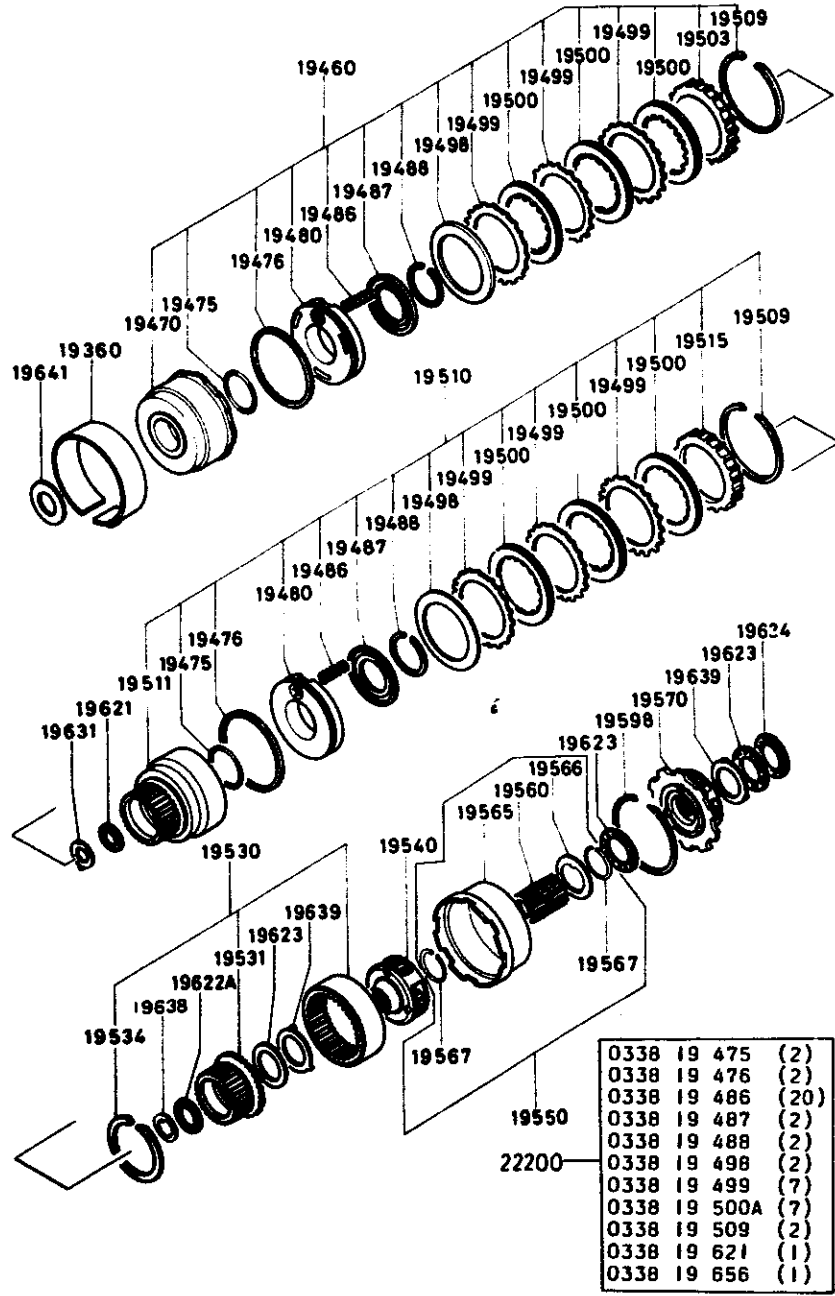
**1930A-1 CLUTCH & PLANETARY GEAR (AUTOMATIC TRANSMISSION)**



**CLUTCH REPAIR KIT**

ITEM NO.	D-CODE	DESCRIPTION	PART NO.	QTY	MODEL/DESCRIPTION	REMARKS
19 360		BAND, BRAKE	0338-19-360B	1		
19 460		CLUTCH, FRONT	3959-19-460A	1		
19 470		DRUM, CLUTCH	3959-19-470A	1		
19 475		SEAL, O-RING	0338-19-475	2		
19 476		SEAL, LEATHER CUT	0338-19-476	2		
19 480		PISTON, CLUTCH	0338-19-480	2		
19 486		SPRING, PISTON RETURN	0338-19-486	20		
19 487		RETAINER, SPRING	0338-19-487	2		
19 488		RING, SNAP	0338-19-488	2		
19 498		PLATE, DISHED	0338-19-498	2		
19 499		PLATE, DRIVEN	0338-19-499	7		
19 500		PLATE, DRIVE	BU17-19-500A	7		
19 503		PLATE, RETAINING	3959-19-503	1	(T=5.0)	
			3959-19-504	1	(T=5.2)	
			3959-19-505	1	(T=5.4)	
			3959-19-506	1	(T=5.6)	
			3959-19-507	1	(T=5.8)	
			3959-19-508	1	(T=6.0)	
			3959-19-509	1	(T=6.2)	
19 509		RING, SNAP	0338-19-509	2		
19 510		CLUTCH, REAR	0338-19-510	1		
19 511		DRUM, REAR CLUTCH	0338-19-511	1		
19 515		PLATE, RETAINING	0338-19-515	1		
19 530		HUB, REAR CLUTCH	0338-19-530	1		
19 531		HUB, REAR CLUTCH	0338-19-531	1		
19 534		RING, SNAP	0338-19-534	1		
19 540		CARRIER, FRONT	0338-19-540	1		
19 550		GEAR, SHELL & SUN	0338-19-550	1		
19 560		GEAR, SUN	0338-19-560	1		
19 565		SHELL, CONNECTING	0338-19-565	1		
19 566		RACE, SHELL BEARING	0338-19-566	1		
19 567		RING, SNAP	0338-19-567	1		
19 570		CARRIER, REAR	0338-19-570	1		
19 598		RING, SNAP	0338-19-598	1		
19 621		BEARING, NEEDLE	0338-19-621	1		
19 622A		BEARING, NEEDLE	0338-19-622	2		
19 623		BEARING, NEEDLE	0338-19-623A	3		
19 624		BEARING, NEEDLE	0338-19-624	1		
19 631		RACE, BEARING PUMP COVER	0338-19-631	1	(T=1.2)	

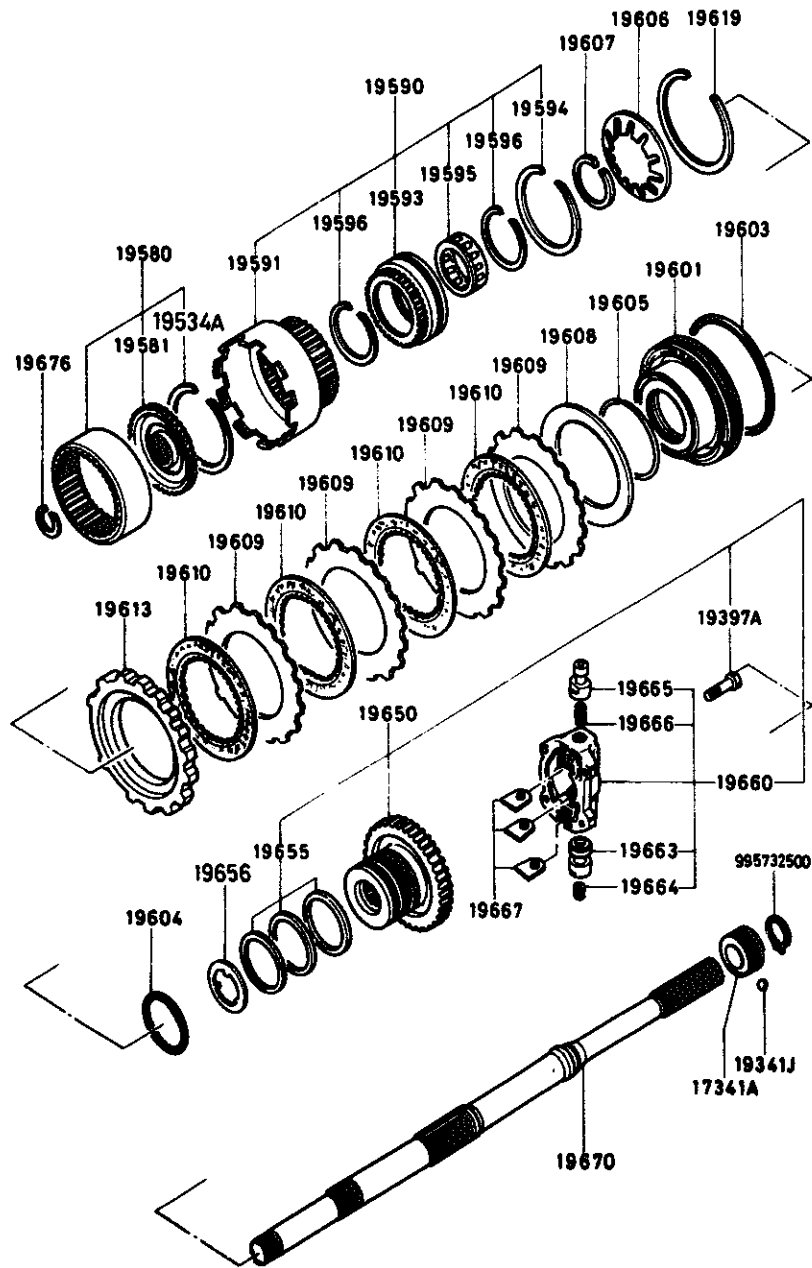
**1930A-2 CLUTCH & PLANETARY GEAR  
(AUTOMATIC TRANSMISSION)**



CLUTCH REPAIR KIT

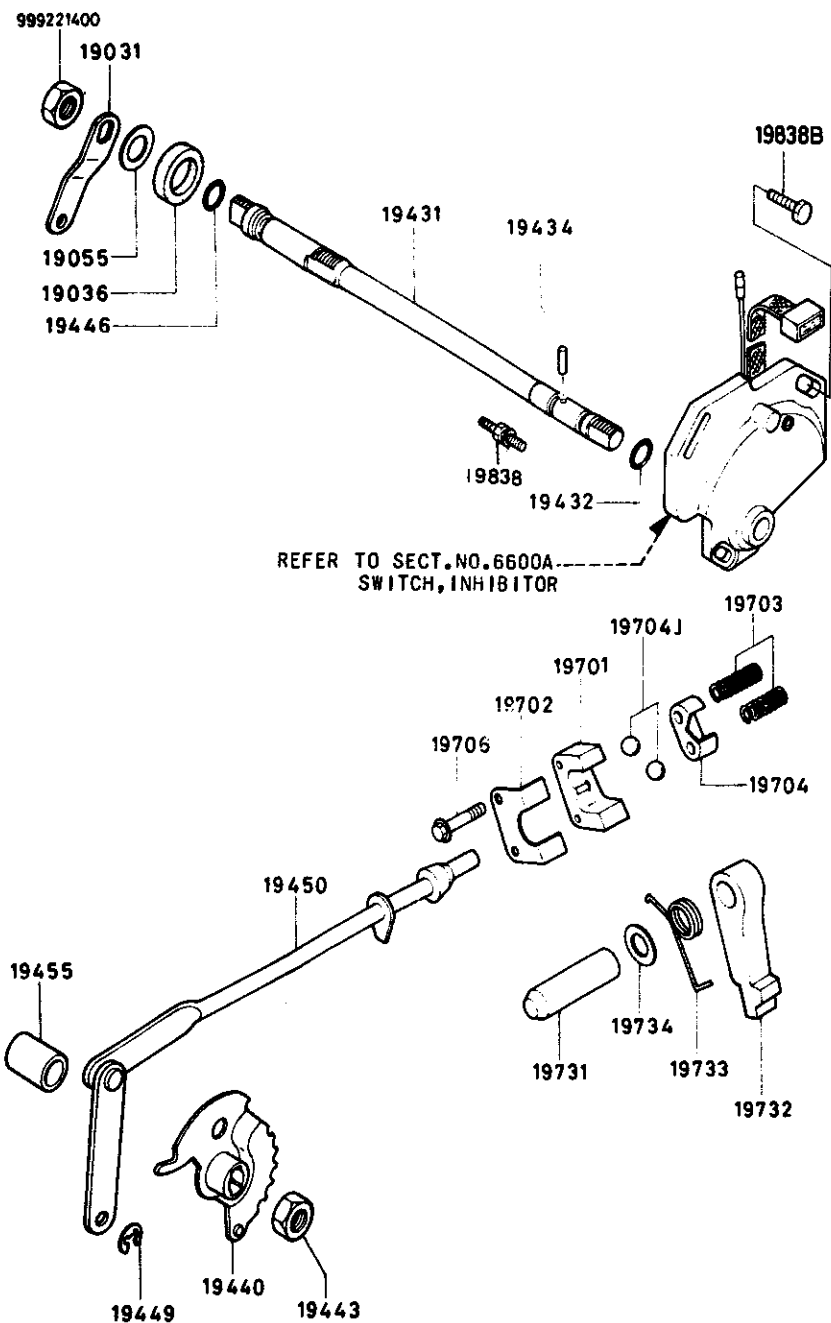
ITEM NO.	D-CODE	DESCRIPTION	PART NO.	QTY	MODEL/DESCRIPTION	REMARKS
	19 631 (CONT'D)		0338-19-632	1	(T=1.4)	
			0338-19-633	1	(T=1.6)	
			0338-19-634	1	(T=1.8)	
			0338-19-635	1	(T=2.0)	
			0338-19-636	1	(T=2.2)	
	19 638	RACE, BEARING REAR CLUTCH	0436-19-656	2		
	19 639	RACE, BEARING	0338-19-639	2		
	19 641	WASHER, FRONT CLUTCH	0338-19-648	1	(T=1.3)	
			0338-19-646	1	(T=1.5)	
			0338-19-647	1	(T=1.7)	
			0338-19-641	1	(T=1.9)	
			0338-19-642	1	(T=2.1)	
			0338-19-643	1	(T=2.3)	
			0338-19-644	1	(T=2.5)	
			0338-19-645	1	(T=2.7)	
	22 200	REPAIR KIT, CLUTCH	0397-22-200	1	'81 & '82 MODELS	

**1940A-1 LOW, REVERSE & GOVERNOR  
(AUTOMATIC TRANSMISSION)**



ITEM NO.	D-CODE	DESCRIPTION	PART NO.	QTY	MODEL/DESCRIPTION	REMARKS
17 341A		GEAR, SPEEDOMETER	3728-17-341A	1		
19 341J		BALL, STEEL	9961-11-500	1	'81 & '82 MODELS	
19 397A		BOLT	0338-19-398	4		
19 534A		RING, SNAP	0338-19-534	1		
19 580		FLANGE	0338-19-580	1		
19 581		FLANGE, DRIVE	0338-19-581	1		
19 590		DRUM, CONNECTING	0338-19-590	1		
19 591		DRUM, CONNECTING	0338-19-591	1		
19 593		RACE, OUTER	0338-19-593	1		
19 594		RING, SNAP	0338-19-594	1		
19 595		CLUTCH, ONE-WAY	0338-19-595	1		
19 596		RING, SNAP	0338-19-596	2		
19 601		PISTON, LOW & REVERSE	BT08-19-600	1		
19 603		SEAL, PISTON	0338-19-603	1		
19 604		SEAL, O-RING	0338-19-604	1		
19 605		RING, THRUST SPRING	0338-19-605	1		
19 606		SPRING, PISTON	0338-19-606	1		
19 607		RING, SNAP	0338-19-607	1		
19 608		PLATE, DISHED	0338-19-608	1		
19 609		PLATE, DRIVEN	0338-19-609	4		
19 610		PLATE, DRIVE	0338-19-610A	4		
19 613		PLATE, RETAINING	1758-19-613	1	(T=7.8)	
			1758-19-614	1	(T=8.0)	
			1758-19-615	1	(T=8.2)	
			1758-19-616	1	(T=8.4)	
			1758-19-617	1	(T=8.6)	
			1758-19-618	1	(T=8.8)	
19 619		RING, SNAP	0338-19-619	1		
19 650		DISTRIBUTOR, OIL	0842-19-650	1		
19 655		RING, SEAL	0338-19-655	3		
19 656		RACE, BEARING	0436-19-656	2	'81 & '82 MODELS	
19 660		GOVERNOR	0842-19-660	1		
19 663		VALVE	0338-19-663	1		
19 664		SPRING	0338-19-664	1		
19 665		VALVE	0842-19-665	1		
19 666		SPRING, GOVERNOR	0338-19-666	1		
19 667		PLATE, RETAINER	0338-19-667	3		
19 670		SHAFT	0338-19-670A	1		
19 676		RING	0338-19-676	1		

**1950A-1 MANUAL LINKAGE  
(AUTOMATIC TRANSMISSION)**



ITEM NO.	D-CODE	DESCRIPTION	PART NO.	QTY	MODEL/DESCRIPTION	REMARKS
19 031		LEVER, SELECT	8872-19-031	1		
19 036		SEAL, DUST	1758-19-036A	1		
19 055		WASHER	1758-19-055	1		
19 431		SHAFT, MANUAL	1758-19-431A	1		
19 432		O-RING	9954-10-0901	1	'81 & '82 MODELS	
				2	'83 MODEL	
19 434		PIN	1758-19-434	1		
19 440		PLATE, MANUAL	1758-19-440A	1		
19 443		NUT, SHAFT	1758-19-443	1		
19 446		O-RING	9954-10-1201	1		
19 449		RING, SNAP	0338-19-449	1		
19 450		ROD, PARKING	1758-19-450	1		
19 455		SLEEVE	1758-19-455A	1		
19 701		SUPPORTER, ACTUATOR	0338-19-701A	1		
19 702		PLATE, RETAINING	0338-19-702A	1		
19 703		SPRING, BALL PARK	0338-19-703	2		
19 704		RETAINER	0338-19-704	1		
19 704J		BALL, STEEL	9961-12-750	2	'81 & '82 MODELS	
19 706		BOLT	0338-19-706	2		
19 731		SHAFT, PARKING PAWL	0338-19-731	1		
19 732		PAWL, PARKING	0338-19-732	1		
19 733		SPRING, PAWL RETURN	0338-19-733C	1		
19 734		SPACER, DOWEL	0338-19-734A	1		
19 838		BOLT	8872-19-838A	1		
19 838B		BOLT	1758-19-838	2		