

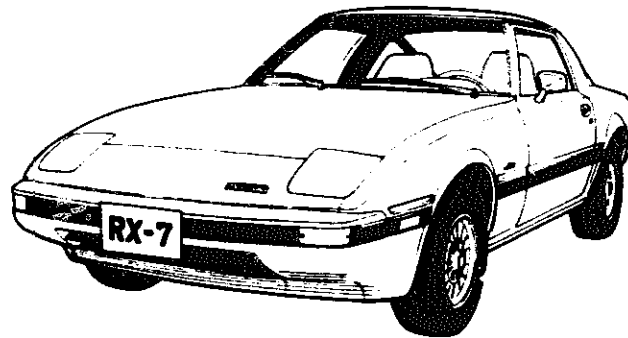
This file is available for free download at <http://www.iluvmyrx7.com>



www.iluvmyrx7.com

Parts Catalog

Mazda RX-7
U.S.A.
('81-'83)


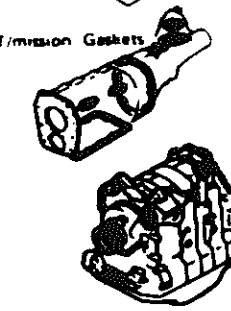
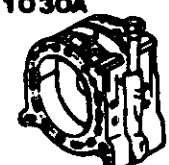

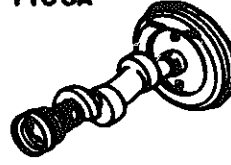


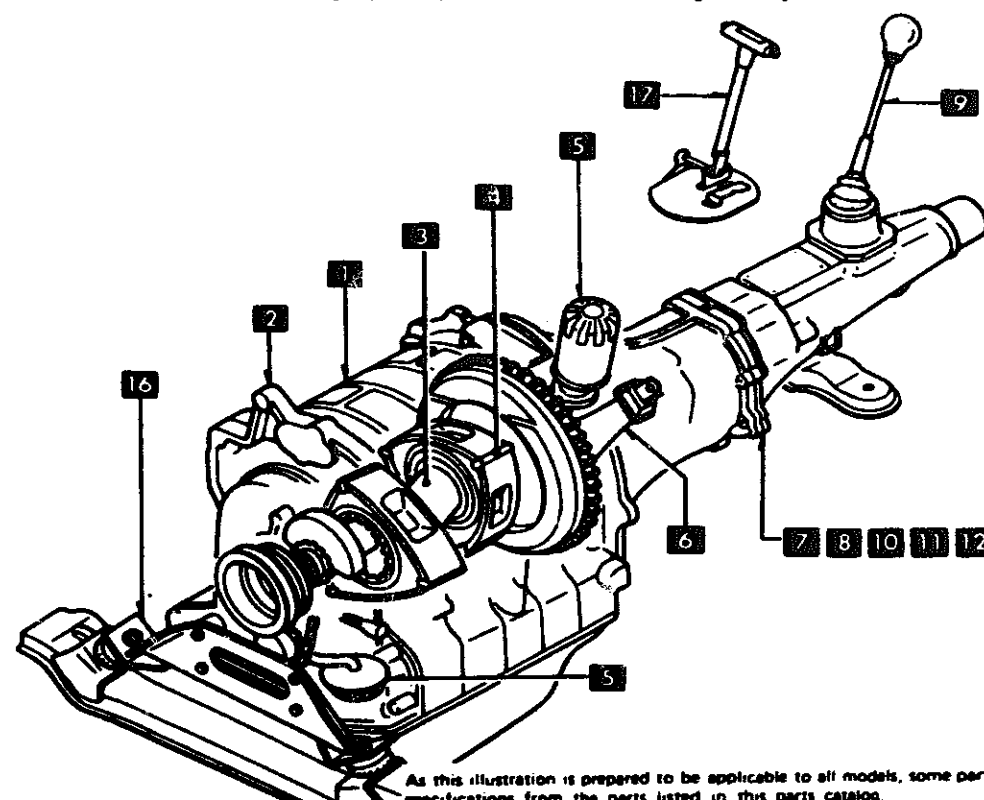
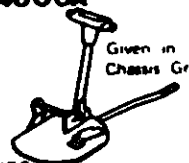
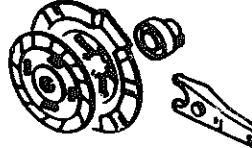
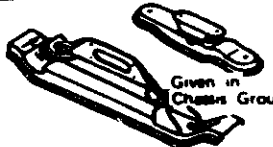
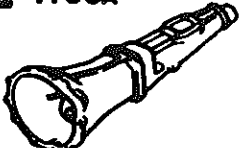

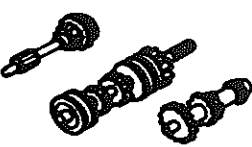
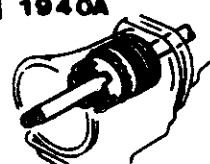
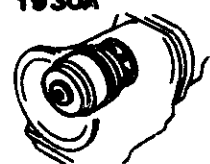





(FB331-500001 ~) (Mazda Rotary Engine Licensed by NSU-WANKEL)

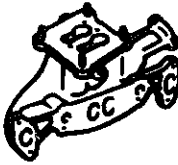





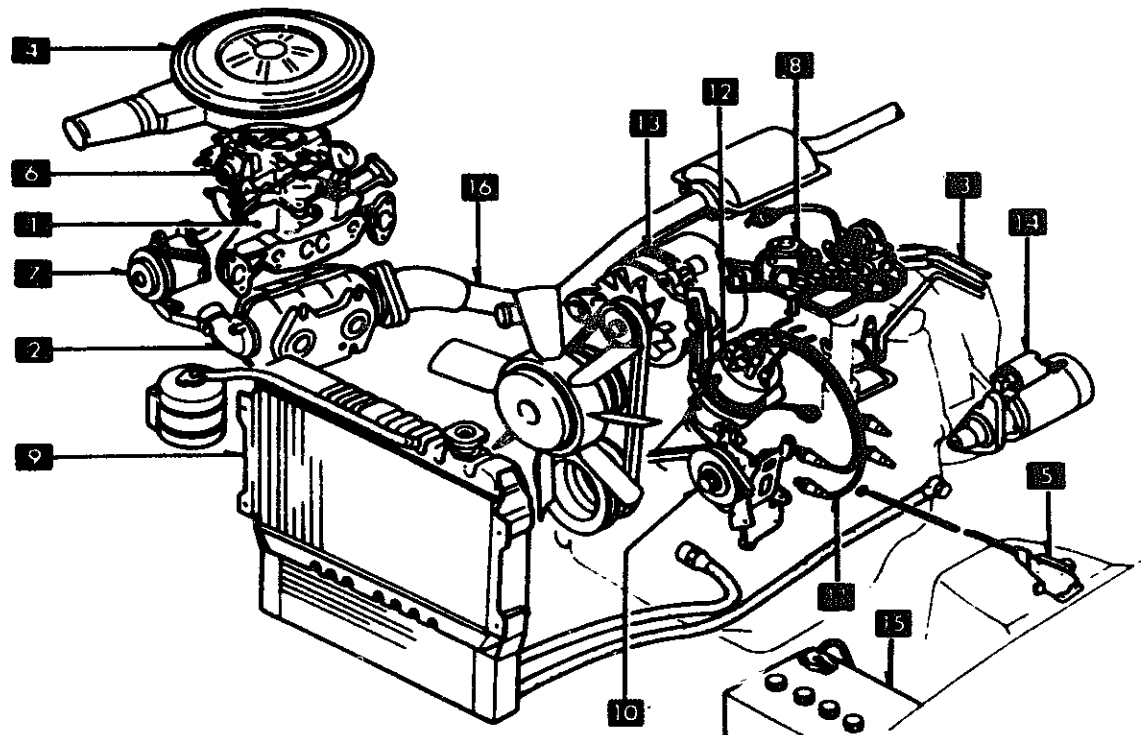



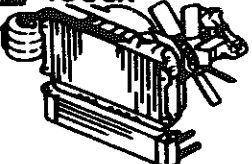






April '92

mazda

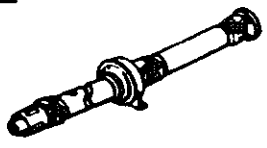
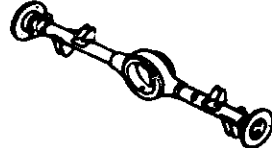

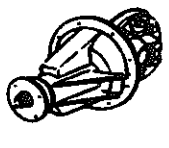
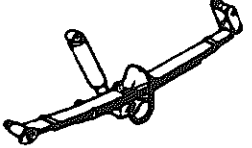
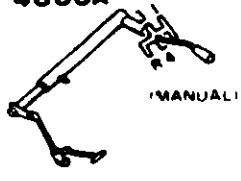
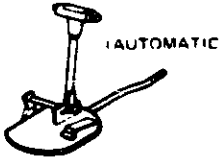
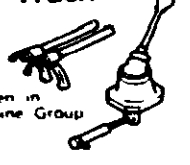
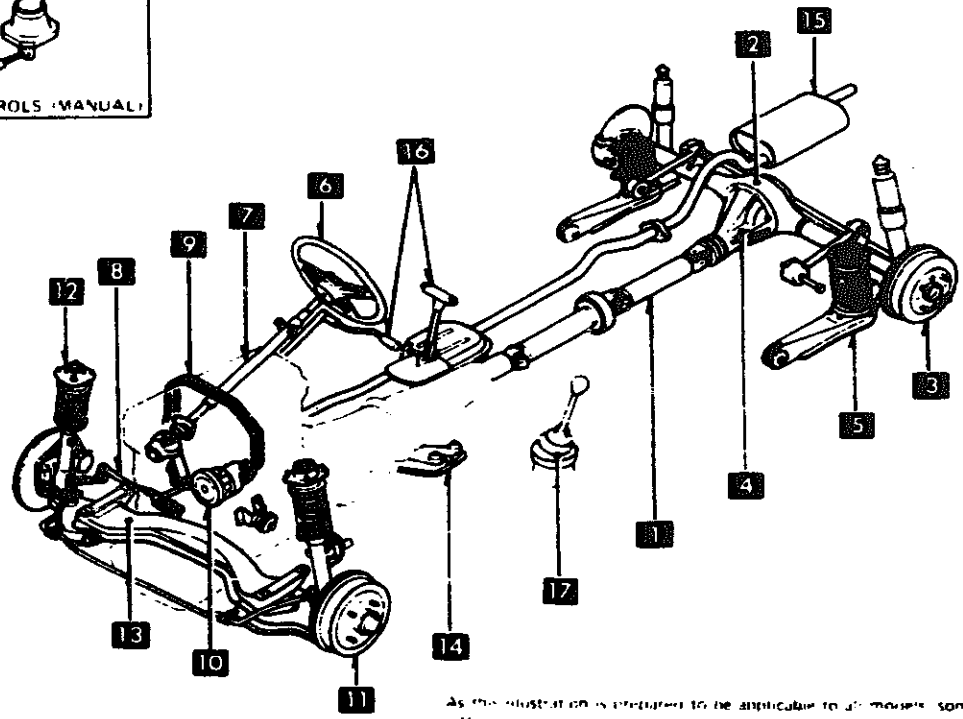

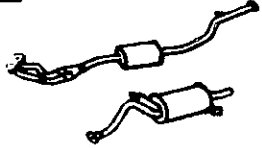
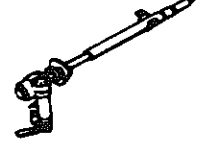
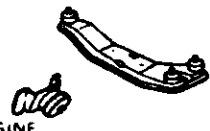
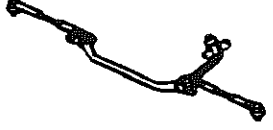
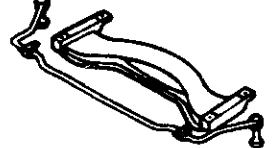




PICTORIAL INDEX

<p>1000A</p>  <p style="text-align: center;">Engine Gaskets</p>  <p style="text-align: center;">T/Mission Gaskets</p> <p style="text-align: center;">SHORT ENGINE & GASKET SETS</p>	<p>1 1030A</p>  <p style="text-align: center;">ROTOR HOUSING</p>	<p>2 1040A</p>  <p style="text-align: center;">OIL PAN & FRONT & REAR HOUSINGS</p>	<p>3 1100A</p>  <p style="text-align: center;">ECCENTRIC SHAFT & FLYWHEEL</p>	<p>4 1110A</p>  <p style="text-align: center;">ROTOR & RELATED</p>	<p>5 1400A</p>  <p style="text-align: center;">OIL PUMP & FILTER</p>
<p>ROTARY ENGINE (1/2)</p> 					
<p>17 4600A</p>  <p style="text-align: center;">Given in Chassis Group</p> <p style="text-align: center;">CHANGE CONTROLS (MANUAL)</p>	<p>As this illustration is prepared to be applicable to all models, some parts are different in specifications from the parts listed in this parts catalog.</p>				<p>6 1600A</p>  <p style="text-align: center;">CLUTCH (MANUAL)</p>
<p>16 3900A</p>  <p style="text-align: center;">Given in Chassis Group</p> <p style="text-align: center;">ENGINE & T/MISSION MOUNTINGS</p>					<p>7 1700A</p>  <p style="text-align: center;">T/MISSION CASE (MANUAL)</p>
<p>15 1950A</p>  <p style="text-align: center;">MANUAL LINKAGE (AUTOMATIC T/MISSION)</p>					<p>8 1710A</p>  <p style="text-align: center;">T/MISSION GEARS (MANUAL)</p>
<p>14 1940A</p>  <p style="text-align: center;">LOW, REVERSE & GOVERNOR (AUTOMATIC T/MISSION)</p>	<p>13 1930A</p>  <p style="text-align: center;">CLUTCH & PLANETARY GEARS (AUTOMATIC T/MISSION)</p>	<p>12 1920A</p>  <p style="text-align: center;">CASE & MAIN CONTROLS (AUTOMATIC T/MISSION)</p>	<p>11 1910A</p>  <p style="text-align: center;">CONVERTER, OIL PUMP & PIPING (AUTOMATIC T/MISSION)</p>	<p>10 1900A</p>  <p style="text-align: center;">TORQUE GLIDE (MANUAL)</p>	

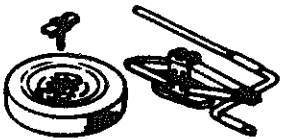


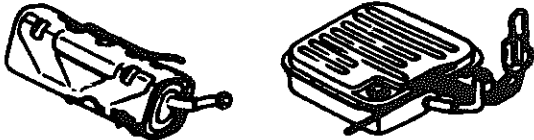
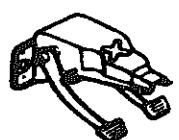
PICTORIAL INDEX

<p>1 1300A</p>  <p>IN MANIFOLD</p>	<p>2 1310A</p>  <p>THERMAL REACTOR</p>	<p>1 1320A</p>  <p>FUEL SYSTEM</p>	<p>1 1330A</p>  <p>AIR CLEANER</p>	<p>7 1350A</p>  <p>STARTING ASSIST SYSTEM</p>	<p>6 1360A</p>  <p>CARBURETOR</p>	
<p>ROTARY ENGINE (2/2)</p>  <p>As this illustration is prepared to be applicable to all models, some parts are different in specifications from the parts listed in this parts catalog</p>						
<p>16 4000A</p>  <p>Given in Chassis Group</p> <p>EX SYSTEM</p>						<p>7 1371A</p>  <p>EMISSION CONTROLS (AIR PUMP & CONTROL VALVE)</p>
<p>8 1380A</p>  <p>EMISSION CONTROLS (EX SIDE)</p>						<p>9 1500A</p>  <p>COOLING SYSTEM</p>
<p>10 1580A</p>  <p>COMPRESSOR BRACKET, PULLEY & BELT (AIR CONDITIONER)</p>						
<p>16 1850A</p>  <p>BATTERY & CABLES</p>	<p>14 1840A</p>  <p>STARTER</p>	<p>13 1830A</p>  <p>ALTERNATOR</p>	<p>12 1820A</p>  <p>DISTRIBUTOR</p>	<p>11 1800A</p>  <p>V Belt</p> <p>Spark Plug</p> <p>Ignition Coil</p> <p>Regulator</p> <p>ELECTRICAL SYSTEM (ENGINE)</p>		

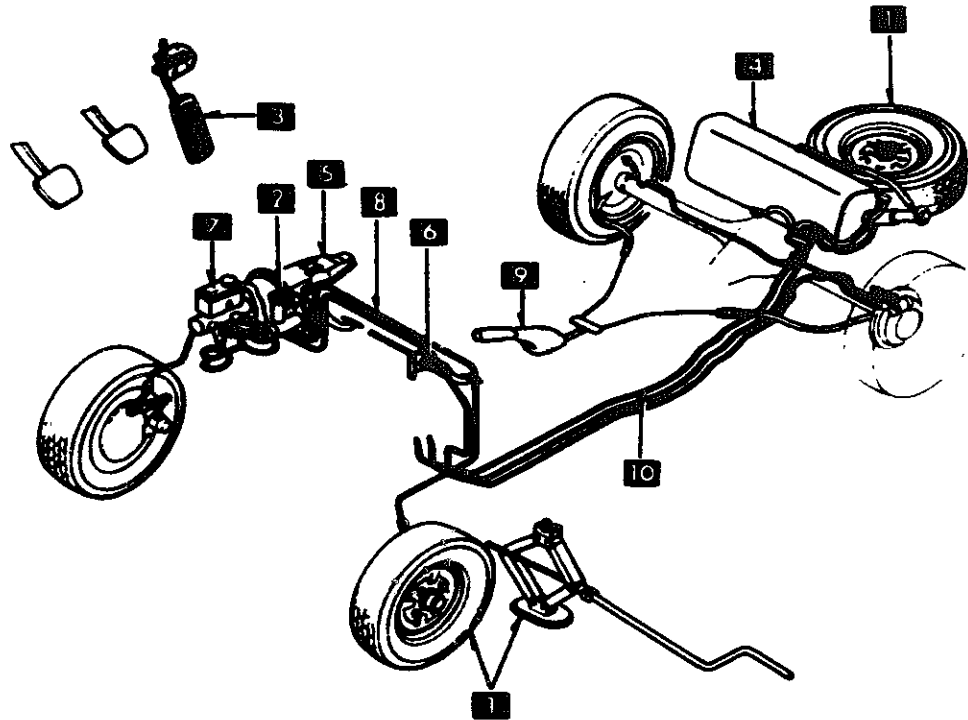
PICTORIAL INDEX

1 2500A  PROPELLER SHAFT	2 2600A  REAR AXLE	3 2610A  REAR BRAKES	4 2700A  DIFFERENTIAL	5 2800A  REAR SUSPENSION	
16 4600A  (MANUAL)  (AUTOMATIC) CHANGE CONTROLS	17 1720A  Given in Engine Group CHANGE CONTROLS (MANUAL)	CHASSIS (1/2) 			6 3200A  STEERING WHEEL
15 4000A  EXHAUST SYSTEM	<p style="font-size: small;">As this illustration is prepared to be applicable to all models, some parts are different in specifications from the parts listed in this parts catalog.</p>			7 3210A  STEERING GEAR & COLUMN	
14 3900A  ENGINE & TRANSMISSION MOUNTINGS				8 3230A  STEERING LINKAGE	
13 3410A  CROSSMEMBER & STABILIZER	12 3400A  FRONT SUSPENSION	11 3300A  FRONT AXLE & BRAKES	10 3260A  VANE PUMP - POWER STEERING	9 3240A  POWER STEERING SYSTEM	

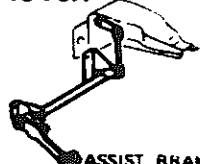
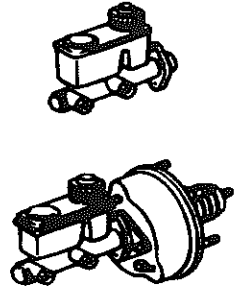

PICTORIAL INDEX

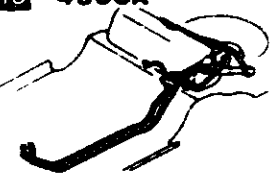

1 3700A  TIRE & JACK	2 4140A  CLUTCH RELEASE & MASTER CYLINDERS	3 4160A  ACCELERATOR CONTROLS	4 4200A  FUEL TANK	5 4300A  CLUTCH & BRAKE
---	---	--	---	--

CHASSIS (2/2)





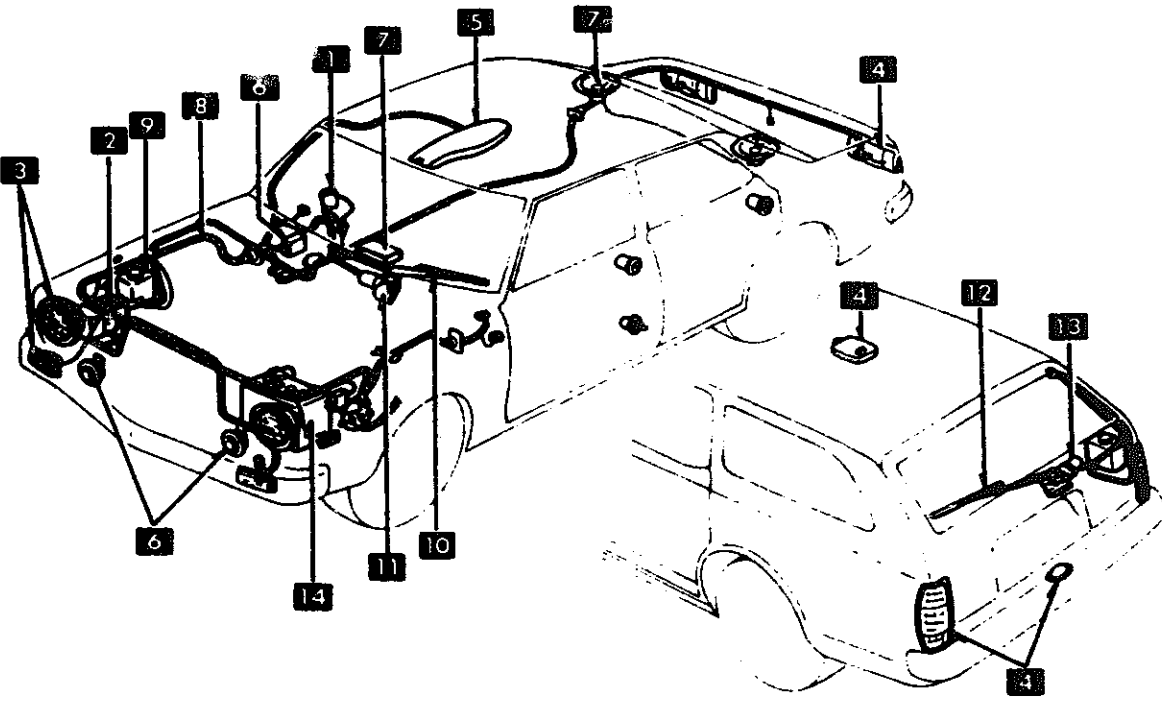
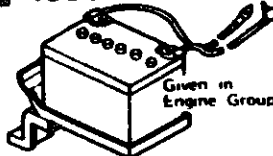
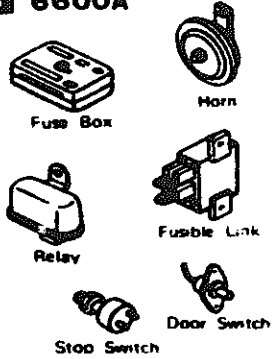

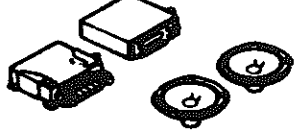







As this illustration is prepared to be applicable to all models some parts are different in specifications from the parts listed in this parts catalog

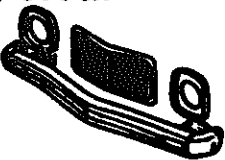


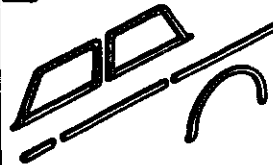
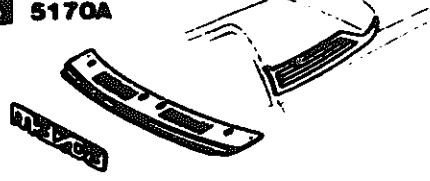
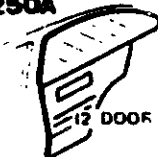
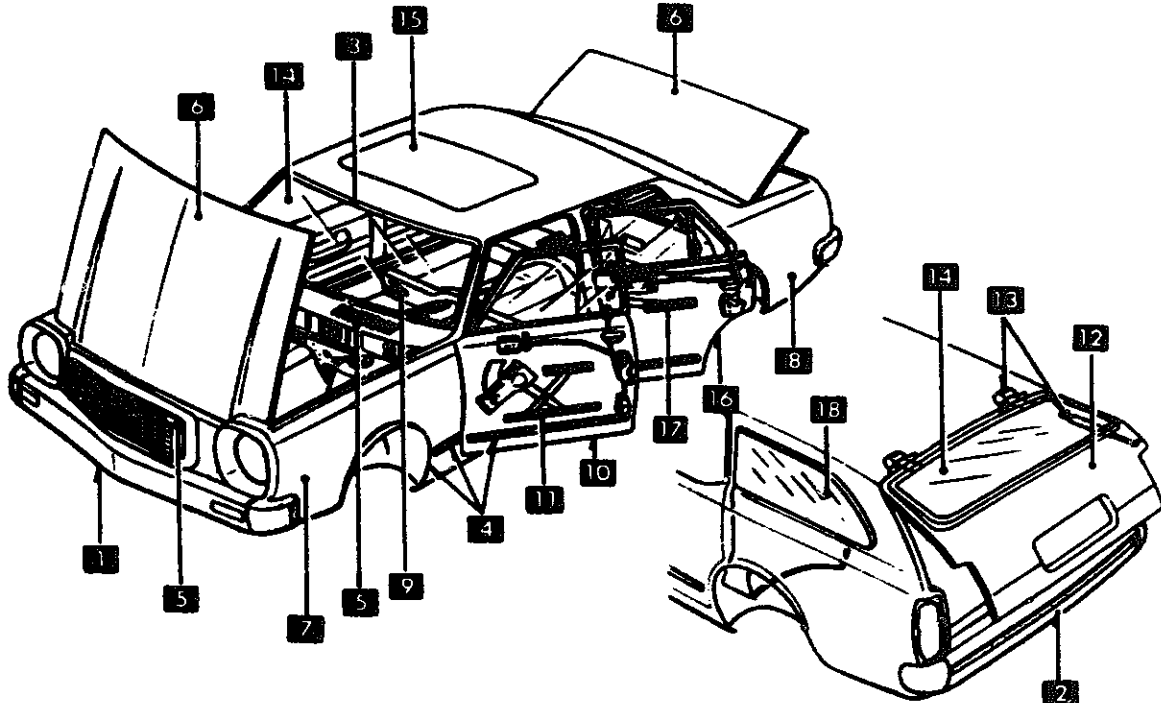
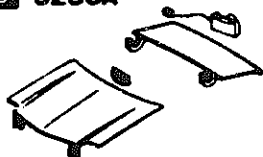
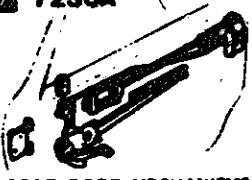




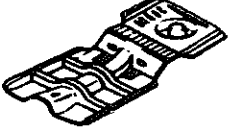

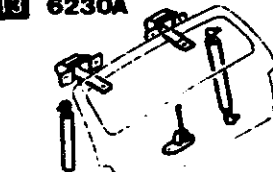
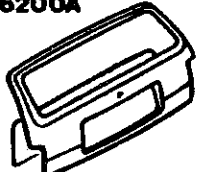
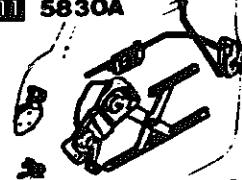
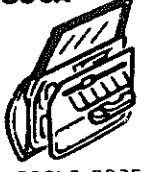
6 4310A  ASSIST BRAKE (FOR DRIVING SCHOOL)
7 4340A  TANDEM MASTER CYL & VACUUM POWER ASSIST SYSTEM
8 4360A  BRAKE PIPING

			10 4500A  FUEL & EVAPORATION PIPINGS	9 4400A  PARKING BRAKE SYSTEM
--	--	--	---	--

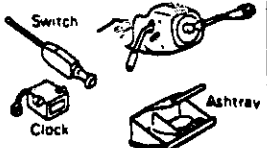
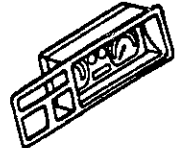
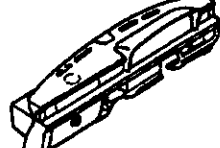
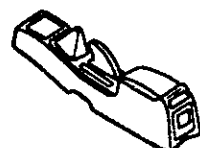
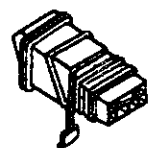

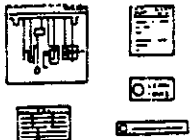
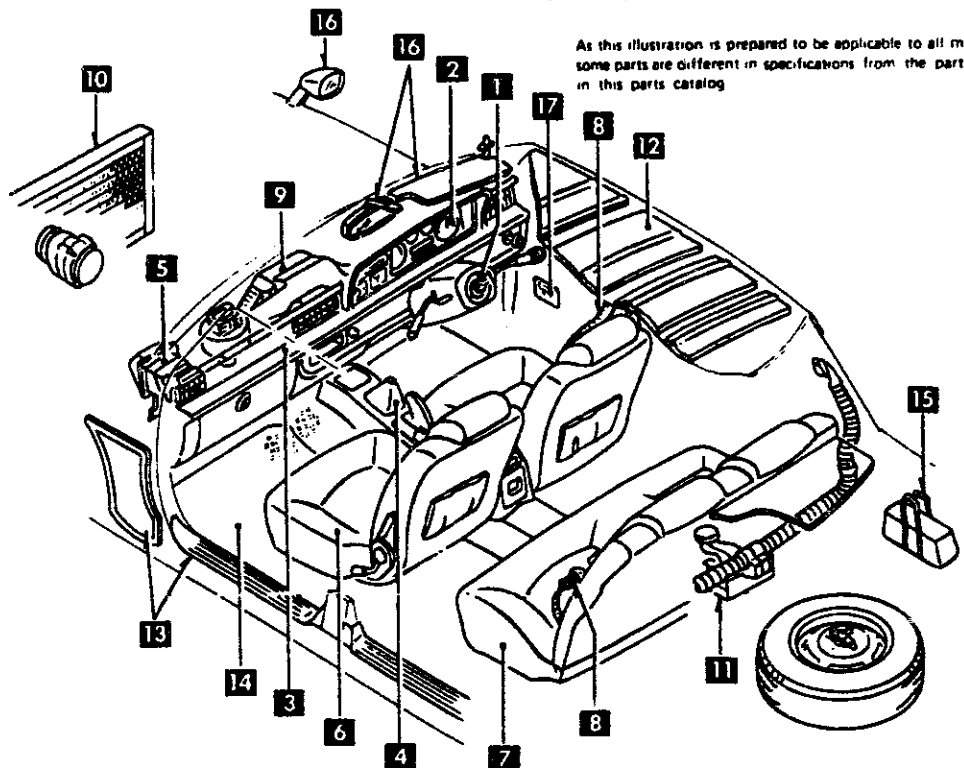
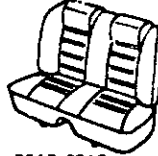

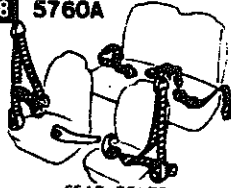
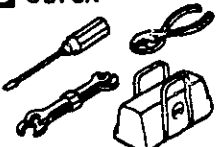
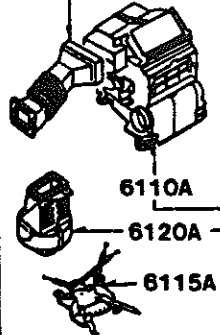

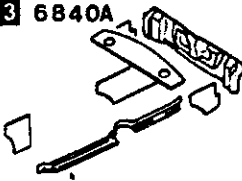
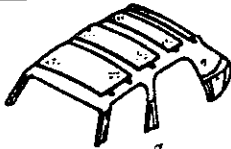
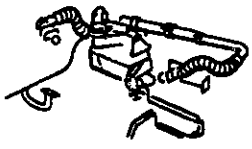
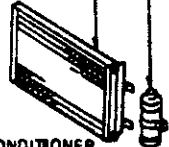
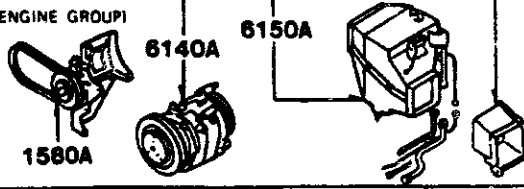
PICTORIAL INDEX

<p>1 0900A</p>  <p>KEY SETS</p>	<p>2 5020A</p>  <p>HEAD LAMP CLEANER</p>	<p>3 5100A</p>  <p>LAMPS (FRONT & SIDE)</p>	<p>4 5110A</p>  <p>LAMPS (REAR & INTERIOR)</p>
<p>BODY(1/3)</p> 			
<p>14 1850A</p>  <p>BATTERY & CABLES <small>Given in Engine Group</small></p>		<p>6 6600A</p>  <p>OVERHEAD CONSOLE</p> <p>Fuse Box Horn</p> <p>Relay Fuse Link</p> <p>Stop Switch Door Switch</p>	
<p>13 6760A</p>  <p>REAR WINDOW WIPER MOTOR (COMPONENTS ONLY)</p>	<p>As this illustration is prepared to be applicable to all models, some parts are different in specifications from the parts listed in this parts catalog</p>	<p>7 6680A</p>  <p>ELECTRIC EQUIPMENT (BODY)</p> <p>RADIO & STEREO SYSTEMS</p>	
<p>12 6750A</p>  <p>REAR WINDOW WIPER & WASHER</p>	<p>11 6740A</p>  <p>WIPER MOTOR (COMPONENTS ONLY)</p>	<p>10 6730A</p>  <p>WINDSHIELD WIPER</p>	<p>9 6720A</p>  <p>WINDSHIELD WASHER</p>
<p>8 6700A</p>  <p>WIRE HARNESS & CLAMPS</p>			

PICTORIAL INDEX

<p>1 5000A</p>  <p>FRONT BUMPER & GRILLE</p>	<p>2 5010A</p>  <p>REAR BUMPER</p>	<p>3 5030A</p>  <p>WINDOW MOULDINGS</p>	<p>4 5040A</p>  <p>BODY MOULDINGS</p>	<p>5 5170A</p>  <p>COWL & EXTRACTOR GRILLES & ORNAMENTS</p>
<p>18 7250A</p>  <p>REAR WINDOW GLASS & TRIM</p>	<p style="text-align: center;">BODY(2/3)</p>  <p style="text-align: center; font-size: small;">As this illustration is prepared to be applicable to all models, some parts are different in specifications from the parts listed in this parts catalog</p>			<p>6 5230A</p>  <p>BONNET & TRUNK LID</p>
<p>17 7230A</p>  <p>REAR DOOR MECHANISMS</p>				<p>7 5310A</p>  <p>BODY PANELS (FRONT)</p>
<p>16 7200A</p>  <p>REAR DOOR</p>				<p>8 5340A</p>  <p>BODY PANELS (SIDE & ROOF)</p>
<p>15 6330A</p>  <p>SUNROOF</p>				<p>9 5360A</p>  <p>BODY PANELS (FLOOR)</p>
<p>14 6300A</p>  <p>WINDOW GLASSES</p>	<p>13 6230A</p>  <p>BACK DOOR MECHANISMS</p>	<p>12 6200A</p>  <p>BACK DOOR</p>	<p>11 5830A</p>  <p>FRONT DOOR MECHANISMS</p>	<p>10 5800A</p>  <p>FRONT DOOR</p>

PICTORIAL INDEX

<p>1 5500A</p>  <p>DASHBOARD EQUIPMENT</p>	<p>2 5540A</p>  <p>METERS</p>	<p>3 5560A</p>  <p>DASHBOARD & RELATED</p>	<p>4 5570A</p>  <p>CONSOLE</p>	<p>5 5580A</p>  <p>VENTILATOR</p>	<p>6 5700A</p>  <p>FRONT SEAT</p>
<p>17 6930A</p>  <p>CAUTION PLATES</p>	<p>BODY(3/3)</p> <p style="font-size: small;">As this illustration is prepared to be applicable to all models, some parts are different in specifications from the parts listed in this parts catalog</p> 				<p>7 5720A</p>  <p>REAR SEAT</p>
<p>16 6900A</p>  <p>VISOR, ASSIST HANDLE & MIRRORS</p>					<p>8 5760A</p>  <p>SEAT BELTS</p>
<p>15 6870A</p>  <p>SERVICE TOOLS</p>					<p>9 6100A</p>  <p>HEATER</p>
<p>14 6860A</p>  <p>FLOOR MATS & PADS</p>					<p>6110A</p> <p>6120A</p> <p>6115A</p>
<p>13 6840A</p>  <p>TRIM & SCUFF PLATE</p>	<p>12 6860A</p>  <p>CEILING TRIM</p>	<p>11 6180A</p>  <p>REAR COOLER</p>	<p>10 6130A</p>  <p>AIR CONDITIONER</p>	<p>(ENGINE GROUP)</p> <p>6140A</p> <p>6150A</p> <p>1580A</p> 	

MODEL IDENTIFICATION

MAZDA RX-7

(1981 MODELS MANUFACTURED FROM JULY 1980.)

(1982 MODELS MANUFACTURED FROM MAY 1981.)

(1983 MODELS MANUFACTURED FROM JULY 1982.)

MDL NO.	STATE		ENG	T/ M		BRAKE		ROOF		YEAR				VIN
	CAL	FED	R	M	A	F	4	S	M	1	1	1	1	
	I	D	O	A	U	F	W	S	N	1	1	1	1	
	F	E	T	N	A	R	H	U	O	9	9	9	9	
	O	R	A	U	A	N	E	N	R	8	8	8	8	
	R	N	R	A	T	T	L	R	O	1	2	3	4	
	N	I	A	L	I	C	D	O	F					
	I	A												
			12A	5	S	P	E	E	D					
FA02	CAL		12	58		F			N/R	X			FB331-500001-600000	
FA03	CAL		12	58		F		S/R		X			FB331-500001-600000	
FA04	CAL		12		A/T	F			N/R	X			FB331-500001-600000	
FA05	CAL		12		A/T	F		S/R		X			FB331-500001-600000	
FA20	CAL		12	58			F/R	S/R		X			FB331-500001-600000	
FA21	CAL		12		A/T		F/R	S/R		X			FB331-500001-600000	

MODEL IDENTIFICATION

MAZDA RX-7

(1981 MODELS MANUFACTURED FROM JULY 1980.)

(1982 MODELS MANUFACTURED FROM MAY 1981.)

(1983 MODELS MANUFACTURED FROM JULY 1982.)

MDL NO.	STATE		ENG	T/ M		BRAKE		ROOF		YEAR				VIN
	CAL	FED	R	M	A	F	4	S	M	1	1	1	1	
	I	D	O	A	U	F	W	S	N	1	1	1	1	
	F	E	T	N	A	R	H	U	O	9	9	9	9	
	O	R	A	U	A	N	E	N	R	8	8	8	8	
	R	N	R	A	T	T	L	R	O	1	2	3	4	
	N	I	A	L	I	C	D	O	F					
	I	A												
			12A	5	S	P	E	E	D					
FA07		FED	12	58		F			N/R	X			FB331-500001-600000	
FA08		FED	12		A/T	F			N/R	X			FB331-500001-600000	
FA09		FED	12	58		F		S/R		X			FB331-500001-600000	
FA10		FED	12		A/T	F		S/R		X			FB331-500001-600000	
FA18		FED	12	58			F/R	S/R		X			FB331-500001-600000	
FA19		FED	12		A/T		F/R	S/R		X			FB331-500001-600000	
FA32	CAL		12	58		F			N/R	X			FB331-600001-700000	

MODEL IDENTIFICATION

MAZDA RX-7

(1981 MODELS MANUFACTURED FROM JULY 1980.)

(1982 MODELS MANUFACTURED FROM MAY 1981.)

(1983 MODELS MANUFACTURED FROM JULY 1982.)

MDL NO.	STATE		ENG	T/M		BRAKE		ROOF		YEAR				VIN
	CAL	FED	R	M	A	F	4	S	N	1	1	1	1	
	IF	OR	12A	A	U	P	W	U	N	9	9	9	9	
	NI	NI		L	T	R	H	R	O	8	8	8	8	
	IA	IA		S	A	D	E	O	F	1	2	3	4	
				S	T	I	L	F	R					
				C	S	D	R	O						
FA34	CAL		12	SS		F		S/R			X			FB331-600001-700000
FA35	CAL		12		A/T	F		S/R			X			FB331-600001-700000
FA40	CAL		12	SS			F/R	S/R			X			FB331-600001-700000
FA41	CAL				A/T		F/R	S/R			X			FA331-600001-700000
FA30		FED	12	SS		F			N/R		X			FA331-600001-700000
FA31		FED	12		A/T	F			N/R		X			FB331-600001-700000

MODEL IDENTIFICATION

MAZDA RX-7

(1981 MODELS MANUFACTURED FROM JULY 1980.)

(1982 MODELS MANUFACTURED FROM MAY 1981.)

(1983 MODELS MANUFACTURED FROM JULY 1982.)

MDL NO.	STATE		ENG	T/M		BRAKE		ROOF		YEAR				VIN
	CAL	FED	R	M	A	F	4	S	N	1	1	1	1	
	IF	OR	12A	A	U	P	W	U	N	9	9	9	9	
	NI	NI		L	T	R	H	R	O	8	8	8	8	
	IA	IA		S	A	D	E	O	F	1	2	3	4	
				S	T	I	L	F	R					
				C	S	D	R	O						
FA36		FED	12	SS		F		S/R			X			FB331-600001-700000
FA37		FED	12		A/T	F		S/R			X			FB331-600001-700000
FA38		FED	12	SS			F/R	S/R			X			FB331-600001-700000
FA39		FED	12		A/T		F/R	S/R			X			FB331-600001-700000
FA42		FED	12	SS		F			N/R		X			FB331-700000-
FA43		FED	12		A/T	F			N/R		X			FB331-700000-
FA46		FED	12	SS		F		S/R			X			FB331-700000-

MODEL IDENTIFICATION

MAZDA RX-7

(1981 MODELS MANUFACTURED FROM JULY 1980.)

(1982 MODELS MANUFACTURED FROM MAY 1981.)

(1983 MODELS MANUFACTURED FROM JULY 1982.)

MDL NO.	STATE		ENG	T/ X		BRAKE		ROOF		YEAR				VIN
	C A L I F O R N I A	F E D E R A L	R 0 T A R Y	M A J A L	A U T O M A T I C	F R O N T D I S C	4 W H E E L D I S C	S U N R O O F	N O R M A L R O O F	1 9 8 1	1 9 8 2	1 9 8 3	1 9 8 4	
FA47		FED	12		A/T	F		S/R				X		FB331-700001-
FA48		FED	12	58			F/R	S/R				X		FB331-700001-
FA49		FED	12		A/T		F/R	S/R				X		FB331-700001-
FA44	CAL		12	58		F			N/R			X		FB331-700001-
FA45	CAL		12		A/T	F			N/R			X		FB331-700001-
FA50	CAL		12	58		F		S/R				X		FB331-700001-
FA51	CAL		12		A/T	F		S/R				X		FB331-700001-
FA52	CAL		12	58			F/R	S/R				X		FB331-700001-
FA53	CAL		12		A/T		F/R	S/R				X		FB331-700001-

LIST OF MONTHLY STARTING VIN (CHASSIS NO.)

'81 MODEL

MODEL	YR./MO.	JAN. 80/1	FEB. 80/2	MAR. 80/3	APR. 80/4	MAY 80/5	JUN. 80/6	JUL. 80/7	AUG. 80/8	SEP. 80/9	OCT. 80/10	NOV. 80/11	DEC. 80/12
EX-7 F8331						---	---	500001	511976	543736	507335	510973	514495

'81 MODEL

MODEL	YR./MO.	JAN. 81/1	FEB. 81/2	MAR. 81/3	APR. 81/4	MAY 81/5	JUN. 81/6	JUL. 81/7	AUG. 81/8	SEP. 81/9	OCT. 81/10	NOV. 81/11	DEC. 81/12
EX-7 F8331		518602	521856	525552	529439	533894	---	---	---				

'82 MODEL

MODEL	YR./MO.	JAN. 82/1	FEB. 82/2	MAR. 82/3	APR. 82/4	MAY 82/5	JUN. 82/6	JUL. 82/7	AUG. 82/8	SEP. 82/9	OCT. 82/10	NOV. 82/11	DEC. 82/12
EX-7 F8331				---	---	---	600001	605980	618056	613699	618135	622566	626725

'82-'83 MODEL

MODEL	YR./MO.	JAN. 82/1	FEB. 82/2	MAR. 82/3	APR. 82/4	MAY 82/5	JUN. 82/6	JUL. 82/7	AUG. 82/8	SEP. 82/9	OCT. 82/10	NOV. 82/11	DEC. 82/12
EX-7 F8331		629395	633361	637250	642150	647769	652186	700132	703771				

LIST OF COMPLETE ASSEMBLY UNIT'S PART NUMBERS

MODEL NO.	COMPLETE	ENGINE	TRANSMISSION	REAR AXLE	CHASS	REMARKS
FAA2		K231-02-000	K520-05-000	F025-05-000	FAA2-07-000	Federal N/T Normal roof Front disc brake only
FAA3		K232-02-000	A199-19-000	F025-05-000	FAA2-07-000	Federal A/T Normal roof Front disc brake only
FAA6		K231-02-000	K520-05-000	F025-05-000	FAA6-07-000	Federal N/T Sunroof Front disc brake only
FAA7		K232-02-000	A199-19-000	F025-05-000	FAA6-07-000	Federal A/T Sunroof Front disc brake only
FAA8		K231-02-000	K520-05-000	F026-05-000	FAA6-07-000	Federal N/T Sunroof Front & rear disc brake
FAA9		K232-02-000	A199-19-000	F026-05-000	FAA6-07-000	Federal A/T Sunroof Front & rear disc brake
FAA4		K233-02-000	K520-05-000	F025-05-000	FAA2-07-000	California N/T Normal roof Front disc brake only
FAA5		K234-02-000	A199-19-000	F025-05-000	FAA2-07-000	California A/T Normal roof Front disc brake only
FAA0		K233-02-000	K520-05-000	F025-05-000	FAA6-07-000	California N/T Sunroof Front disc brake only
FAA1		K234-02-000	A199-19-000	F025-05-000	FAA6-07-000	California A/T Sunroof Front disc brake only
FAA2		K233-02-000	K520-05-000	F026-05-000	FAA6-07-000	California N/T Sunroof Front & rear disc brake
FAA3		K234-02-000	A199-19-000	F026-05-000	FAA6-07-000	California A/T Sunroof Front & rear disc brake

NOTE: Complete assemblies are available and manufactured in accordance with current production specifications only.

INSTRUCTIONS

HOW TO LOCATE PARTS IN THE CATALOG

Realistically, there can only be four possible scenarios when looking for a part(s). These are:

1. Either image of the part or the location on vehicle are known.
2. D-Code and/or Group number (of part) are known.
3. Part Number is known.
4. Name of part is known.

If one or more of the items listed above are known, the parts catalog user may use the appropriate index to facilitate part(s) location. The four indexes that may be used are:

PICTORIAL INDEX -

Use if either the image of the part and/or location on vehicle are known.

SECTION NUMBER INDEX -

Use if D-Code, Group Number or type of part is known.

PART NUMBER INDEX -

Use if part number is known.

ALPHABETICAL INDEX -

Use if name of part is known.

The following two pages outline how to use these indexes.

USING THE PICTORIAL INDEX

1. The PICTORIAL INDEX is the 1st column of every fiche.
2. Decide whether the desired part is an engine, chassis or body part.
3. Look through the PICTORIAL INDEX for the part. Take note of all possible fiche locations where the part may be found. These information will be useful in thoroughly tracking down the part.
4. Once the appropriate illustration is found, note the section number. Refer to the SECTION NUMBER INDEX for fiche location.

USING THE SECTION NUMBER INDEX

1. The SECTION NUMBER INDEX is the first row of every fiche.
2. The column labeled STARTING LOCATION denotes the microfiche GRID LOCATION for a particular section.

EXAMPLE:

1 - G6

1 = denotes the fiche number, i.e., 1 of 3, 2 of 3, 3 of 3

G = denotes the horizontal row location

6 = denotes the vertical column location

3. As an additional feature, the sections located in every column are enclosed in a "highlight box" in the SECTION NUMBER INDEX.
4. At this point, it is just a simple matter of going to the correct frame and locating the desired part number.

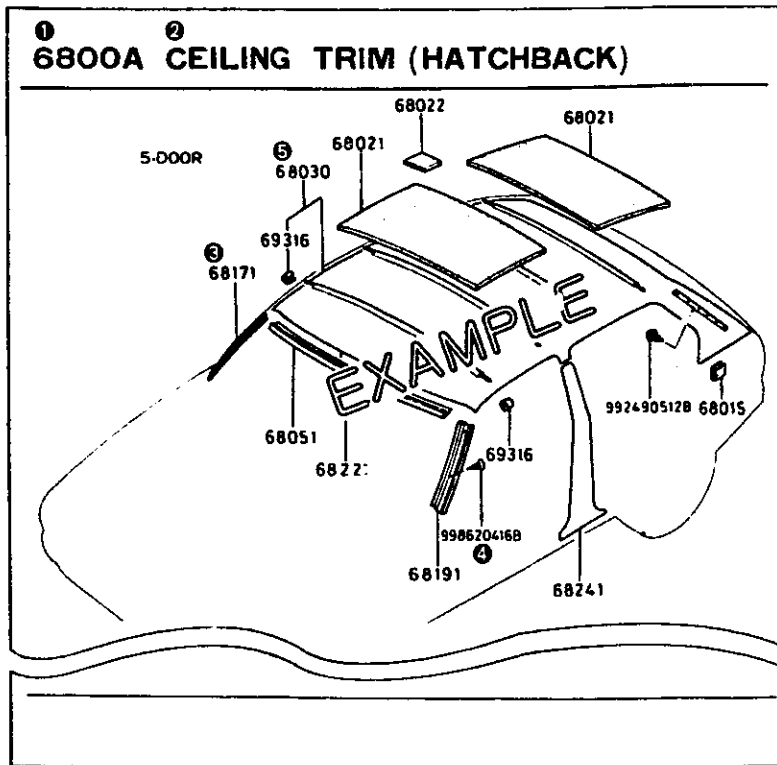
USING THE PART NUMBER INDEX

1. If the part number is known, simply use the PART NUMBER INDEX.
2. The PART NUMBER INDEX is located at the very end of the catalog, on the last fiche of a fiche set.
3. The index shows the section number and the grid location where the part number may be found.
4. When the PART NUMBER INDEX is used, remember that the part number is NOT read from "left to right". The base part number is read first. The base part number consists of the center two digits plus the next three (or four) digits to the right.
5. Use the grid location to go to the appropriate frame where the part number may be found. Cross-reference the part number with the illustration and text to ensure that it is indeed the desired part.

USING THE ALPHABETICAL INDEX

1. If the name of the part is known, simply use the ALPHABETICAL INDEX.
2. The ALPHABETICAL INDEX is located right before the PART NUMBER INDEX, at the very end of the catalog, on the last fiche of a fiche set.
3. The ALPHABETICAL INDEX contains the section number and the grid location where the desired part may be found.
4. Use the grid location to go to the appropriate frame where the part number may be found. Cross-reference the part number with the illustration and text to ensure that it is indeed the desired part.

HOW TO INTERPRET THE ILLUSTRATION



In the example shown above, the interpretation of each item appearing in the illustration area is as follows.

① SECTION NUMBER

Each illustration is given a Section Number, which is a "IDENTIFICATION NUMBER" of the group of parts classified in function.

Section Number basically consists of four numeric characters and alpha "A". But when a Section (a group of parts) is shown in more than one illustration over the same catalog, an additional alphabetical character is incorporated, e.g.,

Section No.	Section Name
6800A	Ceiling Trim (Hatchback)
6800AA	Ceiling Trim (Wagon)

[Note]
 Illustrations are always arranged in numerical sequence by SECTION NUMBER throughout the fiches in the set. (Exception: Section No. "0900A key Sets" is located in the first section of Body group.)

② SECTION NAME

This is a descriptive name of the illustration (the group of parts).

③ D-CODE (KEY NUMBER)

D-Code consists of five or six digits, and serves as a "KEY NUMBER" to co-ordinate a part's illustration with its related text.

[Note]

Those parts which appear in the illustration without D-Code are not available as spare parts. (Exception: Most Standard Parts do not have D-Code, but are available as spare parts.)

④ STANDARD PART NUMBER

Those parts which are standardized in form, dimension, material, etc. such as bolts, nuts, washers, etc. are called "Standard Parts". In most cases, Standard Part Numbers are shown on the illustration instead of via the D-Code, and are distinguished from D-Code by the number which consists of nine or ten digits starting with "9", e.g., 99862-0416B. Those Parts do not appear in the text and part number index.

⑤ ASSEMBLY AND COMPONENTS' RELATIONSHIP

The relationship between an Assembly and its Components is indicated in the illustration but not in the text.

If the D-Code appeared as the example, the correct interpretation of that would be: D-Code 68030 includes D-Code 69316 and Top Ceiling (no D-Code indicated).

HOW TO INTERPRET THE TEXT

IMPORTANT

As there are many abbreviated words used in the text, refer to "Abbreviation List" located in the lower corner of each fiche (frame No. N1).

6800A-1 CEILING TRIM (HATCHBACK)

D-CODE (Key No.)	PART NAME	PART No.	Qty	MODEL/DESCRIPTION	VIN (Chassis No.)
① 68030	② CEILING, TOP	③ 853-68-030	④ 1	⑦ (USE W/DEFROSTER) 3-DOOR ⑥	
	⑧ BLACK	⑨ 00			
	BEIGE	31			
		853-		(USE W/O DEFROSTER) 5-DOOR	
	BLACK	00			
	BEIGE	31			
68051	PLATE, T/CEILING	853-68-051	1		FA4PS... 500001 -522626 FA4TS... 500001 -688439 ⑩ FA4PS... 522627- FA4TS... 688440-
		⑪ <AN> 853-68-051A	1		

In the example shown above, the interpretation of the information appearing in each column is as follows.

① D-CODE (KEY NUMBER)

This is to serve as a "KEY NUMBER" to co-ordinate with a part on the illustration. Those parts which are identical in function and descriptive name, are given a common code over the Mazda Spare Parts. Within each Section Number, the D-Code appears in numerical sequence.

② PART NAME

Part Names are shown in English and/or French and/or Spanish and/or German, depending upon Catalogs and are given to each "D-CODE".

③ COLOR NAME

Color Names appear here when Color Codes are indicated in the "PART No." column. These are shown in English only.

④ PART NUMBER

Under the same D-Code, if there are more than one Part Number, Part Numbers are always listed in numerical and/or alphabetical sequence regardless of the order of modification history of parts.

⑤ COLOR CODE

When Color Code(s) appear(s), the indicated Part Number requires the Color Code to properly identify the color of the part, e.g., 8531-68-030 00, 8531-68-030 31.

⑥ QUANTITY

This denotes the Quantity of each part number per the D-Code used on the applicable model(s).

⑦ DESCRIPTION

An additional descriptive information for each part is provided as necessary.

⑧ MODEL APPLICATION

Model Application for a part is shown in this column if necessary. If there is no Model Application indicated, the affected part is applicable to "ALL MODELS" covered in the page. For further information, refer to "HOW TO INTERPRET THE MODEL APPLICATION" shown later (frame No. G16).

⑨ INTERCHANGEABILITY CODE

The code in < > brackets appearing in this column indicates the level of interchangeability between the indicated part and the former one. For the definition of the Codes, refer to "INTERCHANGEABILITY CODE LIST" shown in the lower corner of each fiche (frame No. N1).

⑩ NEW PART NUMBER'S SIGN

An asterisk (*) appearing in the "Part Number" column indicates that the affected Part Number has been newly added since the last edition.

⑪ VIN (CHASSIS No.)

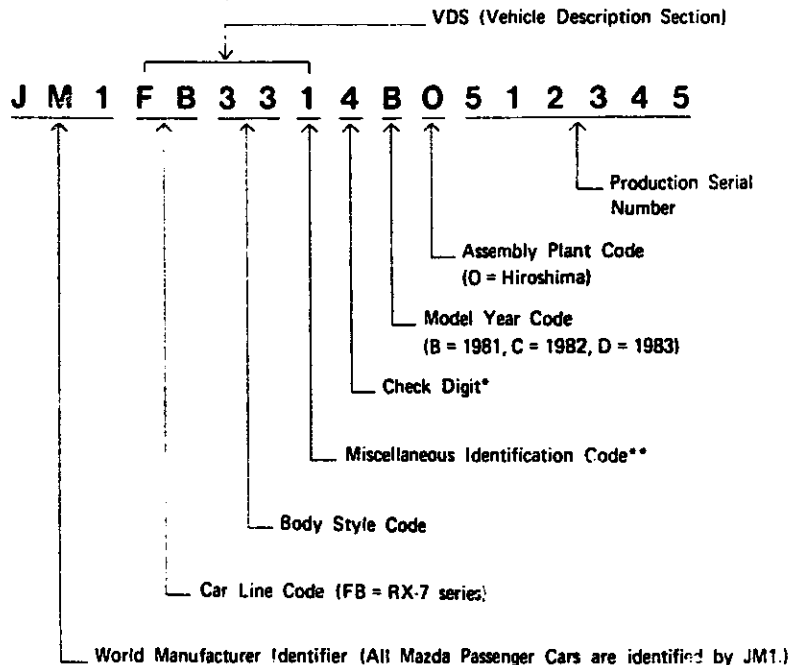
VIN (Vehicle Identification Number) is shown in this column if necessary, to identify the vehicles applicable to the affected part. For further details, refer to "HOW TO INTERPRET THE VIN (CHASSIS No.)" located in frame No. H16 of this fiche.

HOW TO INTERPRET THE VIN (CHASSIS No.)

VEHICLE IDENTIFICATION SYSTEM FOR MAZDA RX-7 SERIES (1981-)

Vehicle Identification Number (VIN) for RX-7 (1981 and later year models) consists of World Manufacturer Identifier, Vehicle Description Section (VDS), Check Digit, Model Year Code and Production Serial Number which is sequentially numbered within each VDS.

Shown below as an example is the VIN for Mazda RX-7 (1981 model).



* Check Digit is included as a VIN security feature to permit law enforcement verification of the authenticity of a suspected illegal VIN plate. This single digit number is determined, based upon a complex mathematical formula which is applied to each vehicle's VIN number.


** Miscellaneous Identification Code identifies major components such as engine, brake system, cab type, etc. However, if all models of the same car line use the same such components, this code is indicated as a numeric character "1" only.

VIN PRESENTATION ON THE PARTS CATALOG

VIN does NOT ALWAYS APPEAR. No "VIN" indicated denotes that a Part is applicable to the affected model from the FIRST PRODUCTION and ON (up to now).

If the information in the "VIN" column appeared as the example below:

6230A-1 BACK DOOR MECHANISMS (HATCHBACK)



D-CODE (Key No.)	PART NAME	PART No.	Qty.	MODEL/DESCRIPTION	VIN (Chassis No.)
62210A	HINGE, BACK DOOR	8531-62-210B	2	1000 1300	FA4PS... 500001 -522626 FA4TS... 500001 -688439
		8531-62-210D	2		FA4PS... 522627- FA4TS... 688440- FA4US... 500001-
62310	LOCK, BACK DOOR	8531-62-310B	2		

... the correct interpretation of the above would be:

- ① Part No. 8531-62-210B is applicable to Model 1000 from VIN FA4PS-500001 thru FA4PS-522626 and Model 1300 from VIN FA4TS-500001 thru FA4TS-688439 for the Hatchback respectively.
- ② Part No. 8531-62-210D is applicable to Model 1000 from VIN FA4PS-522627 and on, Model 1300 from VIN FA4TS-688440 and on, and Model 1400 from VIN FA4US-500001 (the first production) and on for the Hatchback respectively.
- ③ Part No. 8531-62-310B is applicable to ALL MODELS (1000, 1300 and 1400) of the Hatchback series from the FIRST PRODUCTION and ON (up to now).

HOW TO INTERPRET THE MODEL APPLICATION

Model Application does NOT ALWAYS APPEAR. No "Model Application" indicated denotes that a Part is applicable to ALL MODELS covered by the affected page.

If the information in the "MODEL/DESCRIPTION" column appeared as the example below:



4000A-1 EX. SYSTEM (HATCHBACK)

D-CODE (Key No.)	PART NAME	PART No.	QTY	MODEL/DESCRIPTION	VIN (Chassis No.)
40061	HANGER, SILENCER	3874-40-060	1	①	
40081	BRACKET	3952-40-080A	1	CAL. ②	
		8021-40-080C	1	FED. ③	

... the correct interpretation of the above would be:

- ① Part No. 3874-40-060 is applicable to All of Hatchbacks.
- ② Part No. 3952-40-080A is applicable to the Hatchbacks of CAL. applications.
- ③ Part No. 8021-40-080C is applicable to All Hatchbacks for FED. applications.

CAL. = California

FED. = Federal

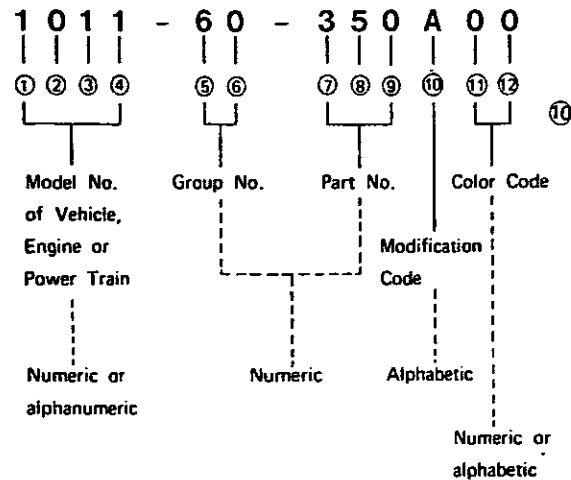
MAZDA PART NUMBERING SYSTEM

Mazda Part Numbers are generally classified into three categories:
General Parts, Standard Parts and Special Tools.

MAZDA GENERAL PARTS

The Part Number basically consists of nine or ten digits. The 10th digit (if applicable) denotes modification of the part. It has twelve digits when a color code consisting of two digits is required.

EXAMPLE



[Note]

If a color code was required but not modification code, the 10th digit would be blank and the color code would follow, e.g.,

1011-60-350,00

↑
blank

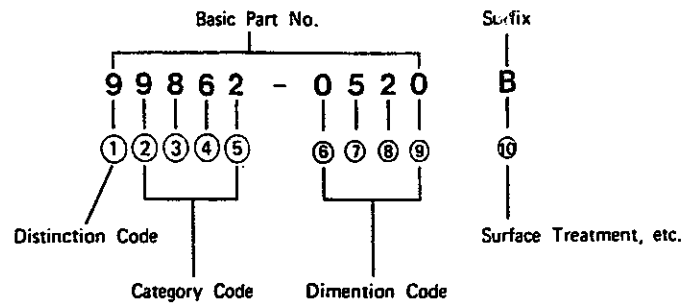
MAZDA STANDARD PARTS

Those Parts which are standardized in form and dimension such as Bolts, Nuts, Washers, Hoses, Disc Wheels, etc. are called Mazda Standard Parts.

All the Mazda Standard Parts are identified by a Part Number starting with "9". The numbering structure of Standard Parts varies depending upon the kind of parts.

The following is just one example of Standard Part Numbers. For further details and examples, refer to the wall chart, "LIST OF STANDARD PARTS".

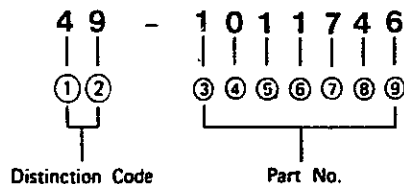
EXAMPLE



MAZDA SPECIAL TOOLS

In order to repair Mazda Vehicles, certain equipment is required. Those are called Mazda Special Tools.

EXAMPLE



[Note]

As Mazda Special Tools are not shown in the Parts Catalog, refer to "LIST OF SPECIAL TOOLS & APPLYING MODELS" as for further details.

INTERCHANGEABILITY CODE LIST

Code	Definition
AN	(Both Ways) A new part and the former part are fully interchangeable.
A	(One Way) A new part can be used in place of the former part, but the former part cannot be used in place of a new part.
C	Plus A new part with some additional part(s) can be used in place of the former part.
G	Plus Some modification work is required to use a new part in place of the former part.
S	(One Way Backward) The former part can be used in place of a new part, but a new part cannot be used in place of the former part.

ABBREVIATION LIST

ABBREV.	MAY REPLACE	ABBREV.	MAY REPLACE
1ST	First	CAL	California
2ND	Second	CASS.	Cassette
3RD	Third	CAT.	Category
4TH	Fourth	Cd	Coefficient Of Drag
4 SPD	Four Speed	CD	Compact Disk
4WS	Four Wheel Steering	C.G.R.	Constant Gear Ratio
4WD, 4X4	Four Wheel Drive	CHG.	Change
5TH	Fifth	CHK.	Check
5 SPD	Five Speed	CHMBR	Chamber
		CHN.	Chain
AA.	Anti Aftabum	CIGAR.	Cigarette
A.A.S.	Auto Adjusting Suspension	CI	Coefficient Of Lift
ABS	Anti Lock Braking System	CLPR	Caliper
A/C	Air Conditioning	CNVTR.	Converter
A.C.C.	Automatic Cruise Control	COMB.	Combination
ACCEL.	Accelerator	COND.	Condenser
A.C.V.	Air Control Valve	COMP.	Compressor
A.E.	Acoustical Equalizer	CONV.	Convertible
ALUM	Aluminum	C/P	Cab Plus
ALL	Automatic Load Leveling	C.S.D.	Cold Start Device
ALT.	Alternator	CSTG.	Coasting
AMP.	Amplifier	CTR.	Center
ANT.	Antenna	CTRL.	Control
APR.	April	CV	Constant Velocity
ASSY.	Assembly	CVR.	Cover
A/T	Automatic Transmission	CVL	Cylinder
AUG.	August	DASH.	Dashboard
AUTO.	Automatic	Db	Decibels
BAL.	Balance	DEC.	December
BELT.	Beltline	DEF.	Defroster
BFGR	B. F. Goodrich	DIAPH	Diaphragm
BRDG	Bridgestone	DIFF.	Differential
BRG.	Bearing	DNLP	Dunlop
BRKT.	Bracket	DOHC	Double Overhead
BRN.	Brown	DSL.	Camshaft
BLK.	Black	DTSS	Diesel
BLU.	Blue		Dynamic Tracking
BMPR.	Bumper	DX	Suspension System
B.S.V.	Bleed Solenoid Valve		Deluxe
BULL.	Bulletin	ECAT	Electronically Controlled A/T
BW	Black Wall	EGI	Electronic Gas Injection
		EGR	Exhaust Gas Recirculation

ABBREVIATION LIST

ABBREV.	MAY REPLACE	ABBREV.	MAY REPLACE
ELEC.	Electric	INN.	Inner
ENG.	Engine	INT.	Interior
ETR	Electronically Tuned Radio	INTMT.	intermittent
		INJ.	injector, injected
EXC.	Except	I.R.S.	Independent Rear Suspension
EXH.	Exhaust		
EXT.	Extension	JAN.	January
EQ	Equalizer	JUL.	July
		JUN.	June
FEB.	February		
FED.	Federal	KG	Kilogram
F.I.	Fuel Injection	KM	Kilometer
FLEX	Flexible	KW	Kilowatt
F/LID	Fuel Lid		
FRT.	Front	(L), LT	Left
FRST	Firestone	L-	Length
FSTNR.	Fastener	LCD	Liquid Crystal Display
		L/B	Long Bag
G	Gram	LH	Left Hand
GAS.	Gasoline	LPG	Liquid Petroleum Gas
GDYR	Goodyear	L.S.D.	Limited Slip Differential
GEN.	General		
GOV.	Governor	LWR	Lower
GRN.	Green	LX	Luxury
GRY.	Gray		
GSKT.	Gasket	M	Metallic
		MAR.	March
H.A.C.	High Altitude Compensator	MC	Mica
HARN.	Harness	MCHN	Michelin
H/B	Hatchback	MLDG.	Moulding, Mould
HD.	Head	MM	Millimeter
H/DUTY	Heavy Duty	MNFLD.	Manifold
HDWE.	Hardware	MPX	Multiplex
HL ALT.	High Altitude	MSTR.	Master
HSG.	House, Housing	M/T	Manual Transmission
HTR.	Heater	MTG.	Mounting
		MTR	Manually Tuned Radio
IC	Integrated Circuit		
ID	Inside Diameter	N-	Number Of Teeth
IGN.	Ignition	N/A	Not Available
ILLUM.	Illumination, Illuminated	N/B	Notchback
		NO.	Number
INCL	Includes	NORM.	Normal
IND	Indicator	NOV.	November
INFO.	Information		
INST.	Instrument		

ABBREVIATION LIST

ABBREV.	MAY REPLACE	ABBREV.	MAY REPLACE
OCT.	October	SPEC.	Specification
OD	Outer Diameter	SPEEDO.	Speedometer
O/DRIVE	Overdrive	SPG.	Spring
OHC	Overhead Camshaft	SPKR.	Speaker
OPT.	Optional	SPRKT.	Sprocket
O.S.	Oversize	SRS	Supplemental Restraint System
OUT.	Outer	STAB.	Stabilizer
PANSC	Panasonic	STD.	Standard
PARK.	Parking	STRG.	Steering
PB	Parking Brake	S/ROOF	Sunroof
PCV	Positive Crankcase Ventilation	SUSP.	Suspension
PIN.	Pinion	S/W	Station Wagon
PKG	Package	SW.	Switch
PLR	Pillar	SYNC.	Synchronizer
PROD.	Production	T=	Thickness
P/S	Power Steering	TEMP.	Temperature
P/TRIM	Pillar Trim	THERMO.	Thermostat
PTH	Phillips Truss Head	TMG.	Timing
PWR.	Power	T/MISSION	Transmission
QTR.	Quarter	TRK.	Truck
QTY.	Quantity	T/LID	Trunk Lid
(R), RT	Right	T/S	Touring Sedan
RH	Right Hand	TTL	Twin Trapezoidal Links
RAD.	Radiator	TURBO	Turbocharged
REINF.	Reinforcement	UP.	Upper
REG.	Regular	U.S.	Undersize
REGUL.	Regulator	VAC.	Vacuum
REL.	Release	V.G.R.	Variable Gear Ratio
REM.	Remote	VPV	Variable Port Valve
RET.	Return	VNL.	Vinyl
REV.	Reverse	W=	Width
RR.	Rear	W/	With
RWL	Raised White Letters	W/P	Water Pump
S/B	Short Bed	WGN.	Wagon
S/ROD	Shift Rod	WHL.	Wheel
S/S	Supercession	W/O	Without
SDN.	Sedan	WHT.	White
SEP.	September	W/SHIELD	Wind Shield, Screen
SERV.	Service	WTR.	Wind Screen
SLND.	Solenoid	W/W	Water
SOHC	Single Overhead		White Walls



1981-83 RX-7 ACCESSORIES

AERO

0000-86-2200 - 1979-85, Lip Spoiler

AIR CONDITIONER

Refer to Accy. Bulletin XA-1 for Air Conditioner information.

ARM REST

Refer to Accy. Bulletin XN-1 for replacement parts.

BATTERY

0000-80-124K - 1979-83, ALL
Refer to Accy. Bulletin XG-4 for Battery information.

BLOCK HEATER

0000-88-6600 - ALL, Rotary Engine
Refer to Accy. Bulletin XG-5 for installation information.

CIGARETTE LIGHTERS

0000-88-209 -16 - 1981-82, All

DOOR EDGE GUARDS

0000-88-3199-BK - ALL, Black Universal Type

FRONT MASK

0000-88-0581-AS - 1981-83, W/O Air Dam

PAINT

Refer to Accy. Bulletin XE-2 for Touch-Up Paint information.

STEREO EQUIPMENT

Refer to Accy. Bulletins XS-1, XS-2, and XS-3 for Audio information.

SUNROOF

0000-86-2600 - 1980-85, Moonroof
0000-86-2600-KT - 1980-85, Left & Right Hinge
0000-86-2600-CP - 1980-85, Cap Nut Set
8346-62-885 - 1980-85, Slide Hook Latch

TIRES

Refer to Accy. Bulletins XE-1 for Tire information.

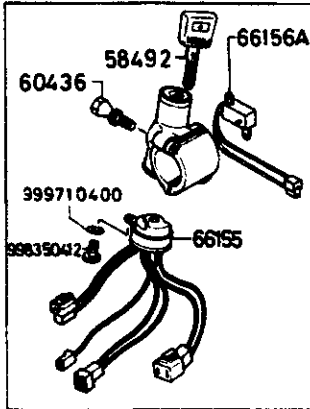
SECTION INDEX -- BODY

STARTING LOCATION	SECT. NO.	SECTION NAME	STARTING LOCATION	SECT. NO.	SECTION NAME	STARTING LOCATION	SECT. NO.	SECTION NAME
2 - C 3	0900A	KEY SETS	2 - C 8	6132AC	CONDENSER PACKAGE ('83 MODEL)	2 - H11	6870A	SERVICE TOOLS
2 - D 3	5000A	FRONT BUMPER	2 - E 8	6142A	COMPRESSOR MOUNTING KIT, COMPRESSOR/CLUTCH ASSEMBLY & REPAIR PARTS ('81 MODEL)	2 - I11	6900A	VISOR, ASSIST HANDLE & MIRRORS
2 - E 3	5005A	RADIATOR GRILLE	2 - F 8	6142AB	COMPRESSOR MOUNTING KIT, COMPRESSOR/CLUTCH ASSEMBLY & REPAIR PARTS ('82 MODEL)	2 - L11	6930A	CAUTION PLATES
2 - F 3	5010A	REAR BUMPER	2 - G 8	6142AC	COMPRESSOR MOUNTING KIT, COMPRESSOR/CLUTCH ASSEMBLY & REPAIR PARTS ('83 MODEL)			
2 - G 3	5030A	WINDOW MOULDINGS	2 - H 8	6152A	EVAPORATOR PACKAGE ('81 MODEL)			
2 - H 3	5040A	BODY MOULDINGS	2 - I 8	6152AB	EVAPORATOR PACKAGE ('82 MODEL)			
2 - I 3	5060A	SIDE PROTECTORS	2 - J 8	6152AC	EVAPORATOR PACKAGE ('83 MODEL)			
2 - J 3	5100A	HEAD LAMPS	2 - K 8	6230A	BACK DOOR MECHANISM			
2 - K 3	5103A	HEAD LAMP RETRACTORS	2 - L 8	6300A	WINDOW GLASSES			
2 - L 3	5105A	FRONT COMBINATION & SIDE TURN LAMPS	2 - M 8	6330A	SUNROOF (GS4)			
2 - M 3	5110A	REAR COMBINATION LAMPS	2 - N 8	6600A	SWITCH & RELAY (ENGINE & TRANSMISSION)			
2 - N 3	5120A	LICENSE & REAR SIDE TURN LAMPS	2 - C 9	6610A	DASHBOARD SWITCHES (MANUAL OPERATING)			
2 - C 4	5125A	INTERIOR LAMPS (GS & GS4)	2 - D 9	6611A	COMBINATION SWITCH			
2 - D 4	5170A	ORNAMENTS	2 - E 9	6615A	POWER WINDOW SWITCH			
2 - E 4	5180A	COWL & EXTRACTOR GRILLES	2 - F 9	6620A	DOOR, PARKING LAMP & KICK DOWN SWITCH			
2 - F 4	5230A	HOOD	2 - G 9	6630A	RELAY (BODY)			
2 - G 4	5310A	BODY PANELS (FRONT)	2 - H 9	6635A	HORN			
2 - I 4	5340A	BODY PANELS (SIDE & ROOF)	2 - I 9	6640A	AUTO CRUISE CONTROL			
2 - J 4	5360A	BODY PANELS (FLOOR)	2 - J 9	6680A	AUDIO SYSTEM			
2 - K 4	5370A	FLOOR ATTACHMENTS	2 - M 9	6700A	WIRE HARNESS (FRONT & REAR)			
2 - L 4	5500A	DASHBOARD EQUIPMENT	2 - N 9	6701A	WIRE HARNESS (ENGINE & TRANSMISSION)			
2 - N 4	5540A	METERS	2 - C10	6702A	WIRE HARNESS (DASHBOARD)			
2 - C 5	5560A	DASHBOARD & RELATED	2 - D10	6703A	WIRE HARNESS (DOOR, FLOOR & CEILING)			
2 - E 5	5570A	CONSOLE	2 - E10	6704A	WIRE HARNESS CLAMPS			
2 - G 5	5580A	VENTILATOR	2 - F10	6720A	WINDSHIELD WASHER			
2 - H 5	5700A	SEATS ('81 & '82) MODELS	2 - G10	6730A	WINDSHIELD WIPER			
2 - C 6	5700AA	SEATS ('83 MODEL)	2 - H10	6740A	WIPER MOTOR (COMPONENTS ONLY)			
2 - H 6	5790A	SEAT BELTS	2 - I10	6750A	REAR WINDOW WIPER & WASHER			
2 - J 6	5800A	FRONT DOOR	2 - J10	6760A	REAR WINDOW WIPER MOTOR (COMPONENTS ONLY)			
2 - K 6	5830A	FRONT DOOR MECHANISM	2 - K10	6800A	CEILING TRIM			
2 - C 7	5840A	FRONT DOOR TRIM & RELATED PARTS	2 - C11	6840A	TRIM & SCUFF PLATE			
2 - F 7	6100A	HEATER	2 - F11	6860A	FLOOR MATS & PADS			
2 - G 7	6110A	HEATER UNIT						
2 - H 7	6115A	HEATER CONTROLS						
2 - I 7	6120A	HEATER BLOWER						
2 - J 7	6137A	CONDENSER PACKAGE ('81 MODEL)						
2 - L 7	6132AB	CONDENSER PACKAGE ('82 MODEL)						

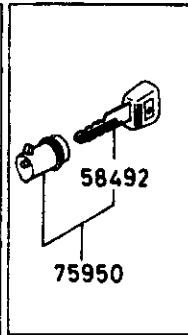
0900A-1 KEY SETS



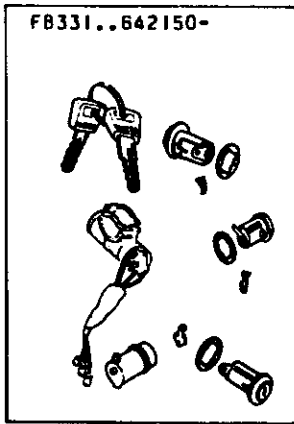
09010



75990
A

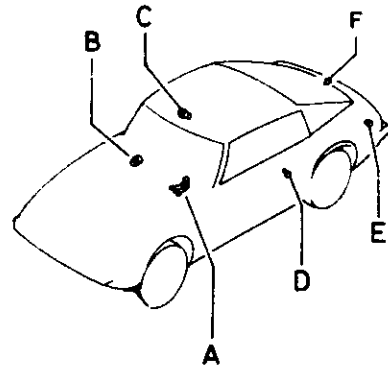


B



FB331..642150-

09010

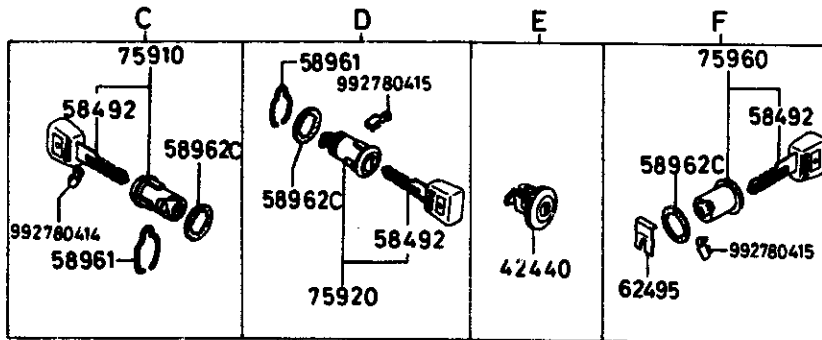


75158

KEY, BLANK



58492



75910

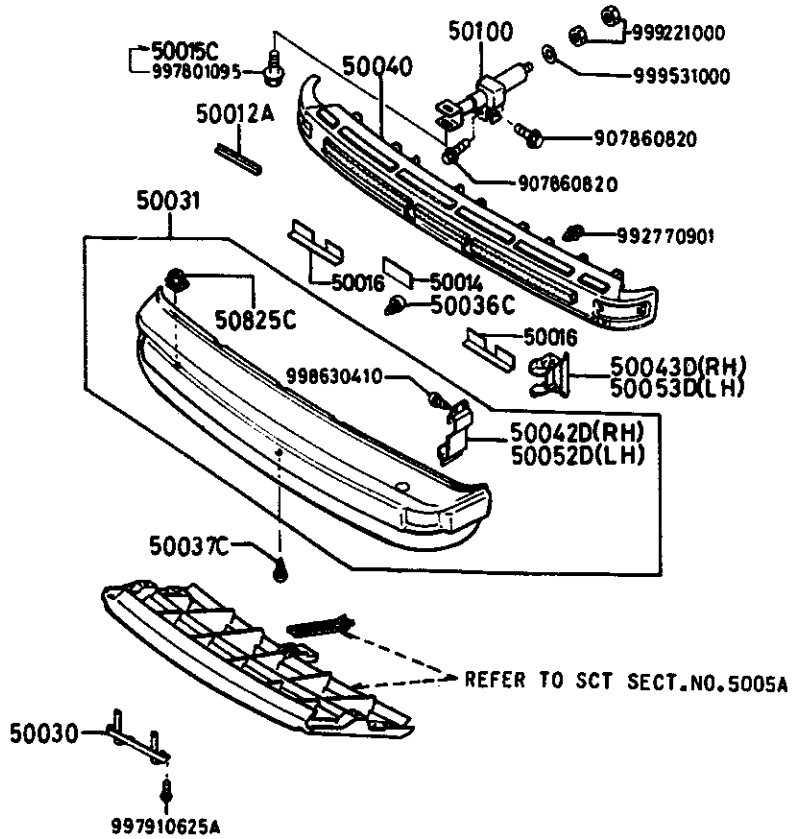
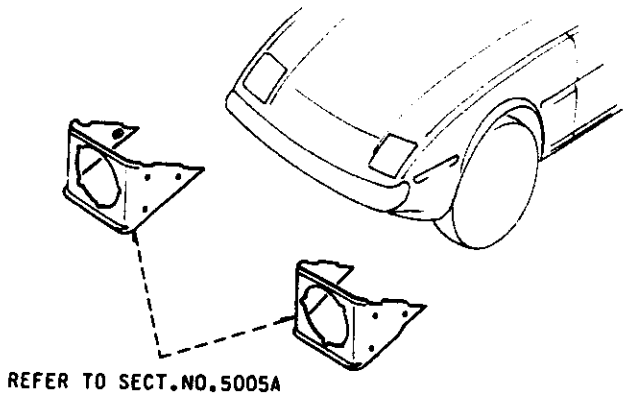
58961

E

75960

ITEM NO.	D-CODE	DESCRIPTION	PART NO.	QTY	MODEL/DESCRIPTION	REMARKS
09 010		KEY SET	FA01-09-010B	1		
42 440		LOCK, FILLER LID	FA01-42-440A	1		
58 492		KEY, PRIMARY	8208-75-901	2	'81 & '82 MODELS	
		REFER TO PARTS BULL. NO. A-2-4 FOR MORE INFO.				
58 961		FASTENER, KEY CYLINDER	0223-58-961	2		
58 962C		GASKET, KEY CYLINDER	0223-58-962	3		
60 436		BOLT, SET	8218-66-143	2	'81 & '82 MODELS	FB331 ..500001-700900
			H043-66-154	2	'83 MODEL	
62 495		RETAINER, LOCK CYLINDER	0223-58-961	1	'81 MODEL	FB331 ..500001-501577
			B001-62-495	1		FB331 ..501578-
66 155		SWITCH, IGNITION	BA14-66-151A	1	'81 & '82 MODELS	FB331 ..500001-642149
			BA24-66-155A	1	'82 & '83 MODELS	FB331 ..642150-
66 156A		SWITCH, BUZZER	BA14-66-156	1	'81 & '82 MODELS	FB331 ..500001-700000
75 158		KEY, BLANK	8208-75-901	1	'81 & '82 MODELS	
			HA40-76-201	1	'83 MODEL	
75 910		KEY SUB SET (R), DOOR	FA01-76-210	1	'81 & '82 MODELS	
			FA43-76-210	1	'83 MODEL	
75 920		KEY SUB SET (L), DOOR	FA01-76-220	1	'81 & '82 MODELS	
			FA43-76-220	1	'83 MODEL	
75 950		KEY SUB SET, GLOVE	FA01-76-250	1	'81 & '82 MODELS	
			FA43-76-250	1	'83 MODEL	
75 960		KEY SUB SET, BACK DOOR	FA01-76-260	1	'81 & '82 MODELS	
			FA43-76-230	1	'83 MODEL	
75 990		KEY SUB SET, STEERING	GA02-76-290	1	'81 & '82 MODELS	
			BE32-76-290A	1	'83 MODEL	

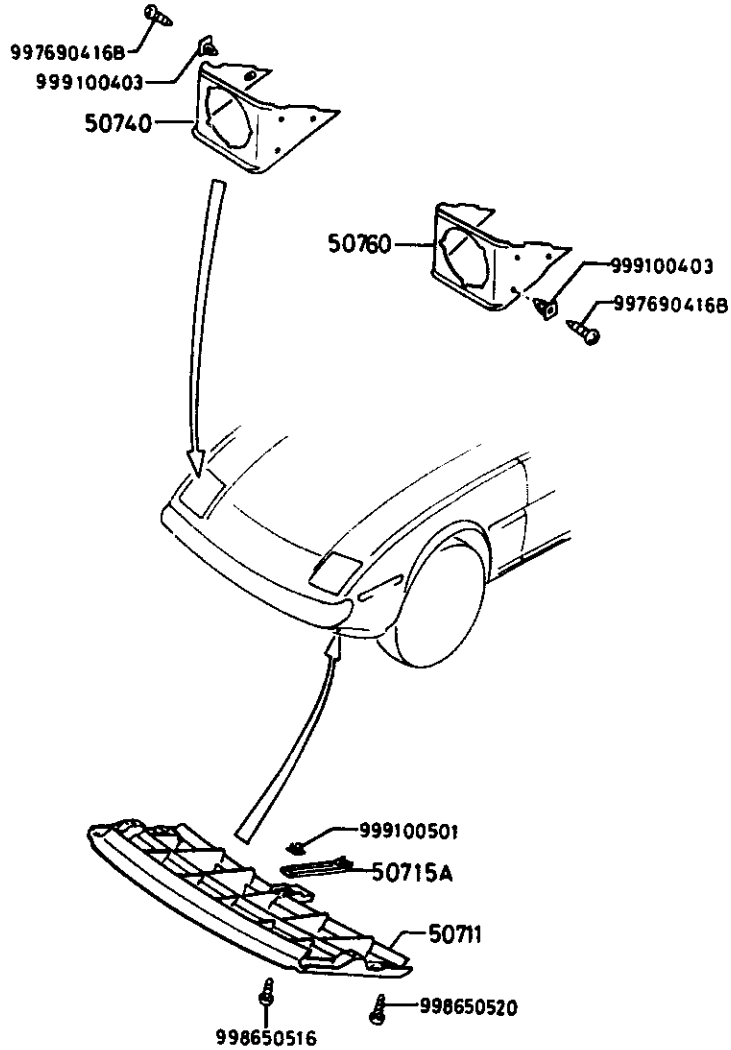
5000A-1 FRONT BUMPER



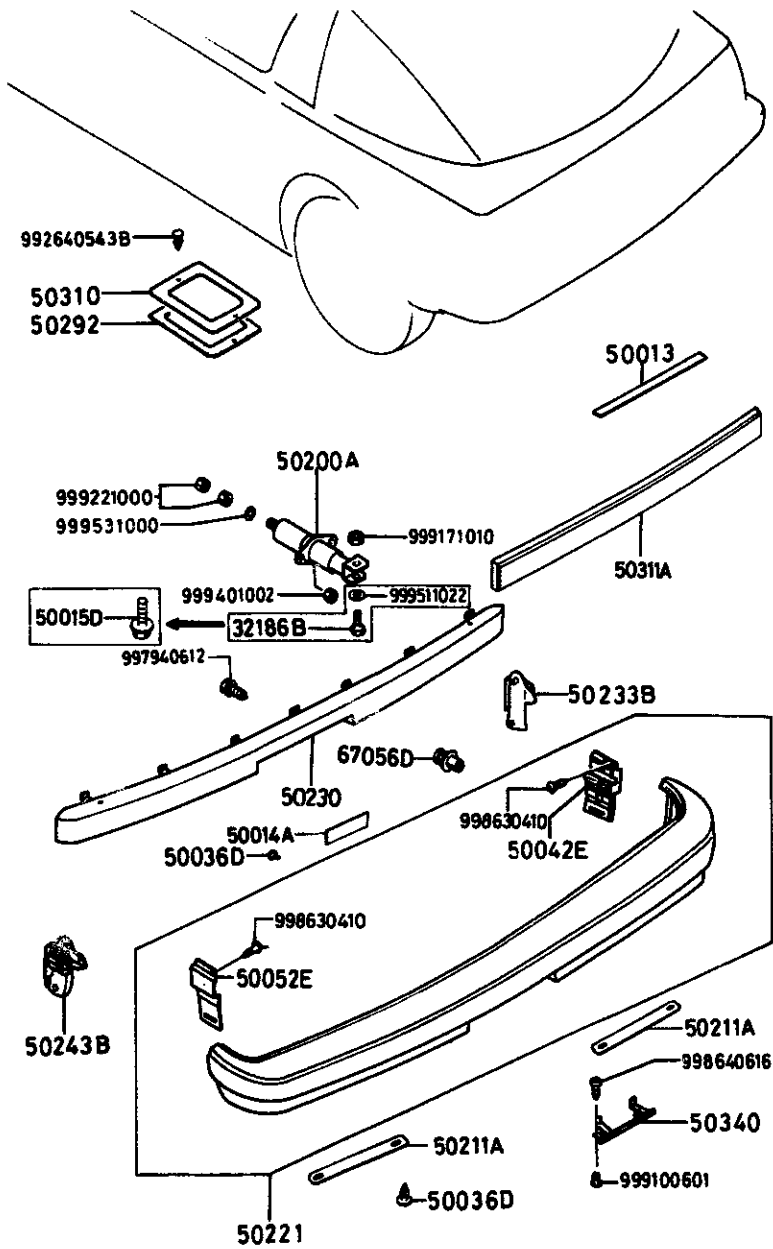
ITEM NO.	D-CODE	DESCRIPTION	PART NO.	QTY	MODEL/DESCRIPTION	REMARKS
50 012A		PROTECTOR	FA01-50-012	5	'81 MODEL	FB331 ..500001-500762
				1		FB331 ..500763-
50 014		PROTECTOR	FA01-50-014	2		
50 015C		BOLT	FA01-50-015	2		FB331 ..507335-
50 016		PROTECTOR	FA01-50-016	2		FB331 ..500763-
50 030		HOLDER, LICENSE PLATE	FA01-50-180	1		
50 031		BUMPER, FRONT	FA01-50-030A	1		
50 036C		FASTENER	FA01-50-036	9		
50 037C		FASTENER	FA01-50-037	5		
50 040		REINFORCEMENT, BUMPER	FA01-50-150A	1		
50 042D		SLIDE 'B' (R), BUMPER	FA01-50-042	1		
50 043D		SLIDE 'A' (R), BUMPER	FA01-50-040	1		
50 052D		SLIDE 'B' (L), BUMPER	FA01-50-052	1		
50 053D		SLIDE 'A' (L), BUMPER	FA01-50-050	1		
50 100		ABSORBER (R), SHOCK	FA01-50-070	1		
		ABSORBER (L), SHOCK	FA01-50-080	1		
50 825C		NUT, CLIP	8871-50-825	4		

5005A-1 RADIATOR GRILLE

ITEM NO.	D-CODE	DESCRIPTION	PART NO.	QTY	MODEL/DESCRIPTION	REMARKS
50 711		GRILLE, RADIATOR	FA01-50-711A	1		
50 715A		BRACKET, RADIATOR	8871-50-720	1		
50 740		BEZEL (R), LAMP	8871-50-741	1		
50 760		BEZEL (L), LAMP	8871-50-761	1		

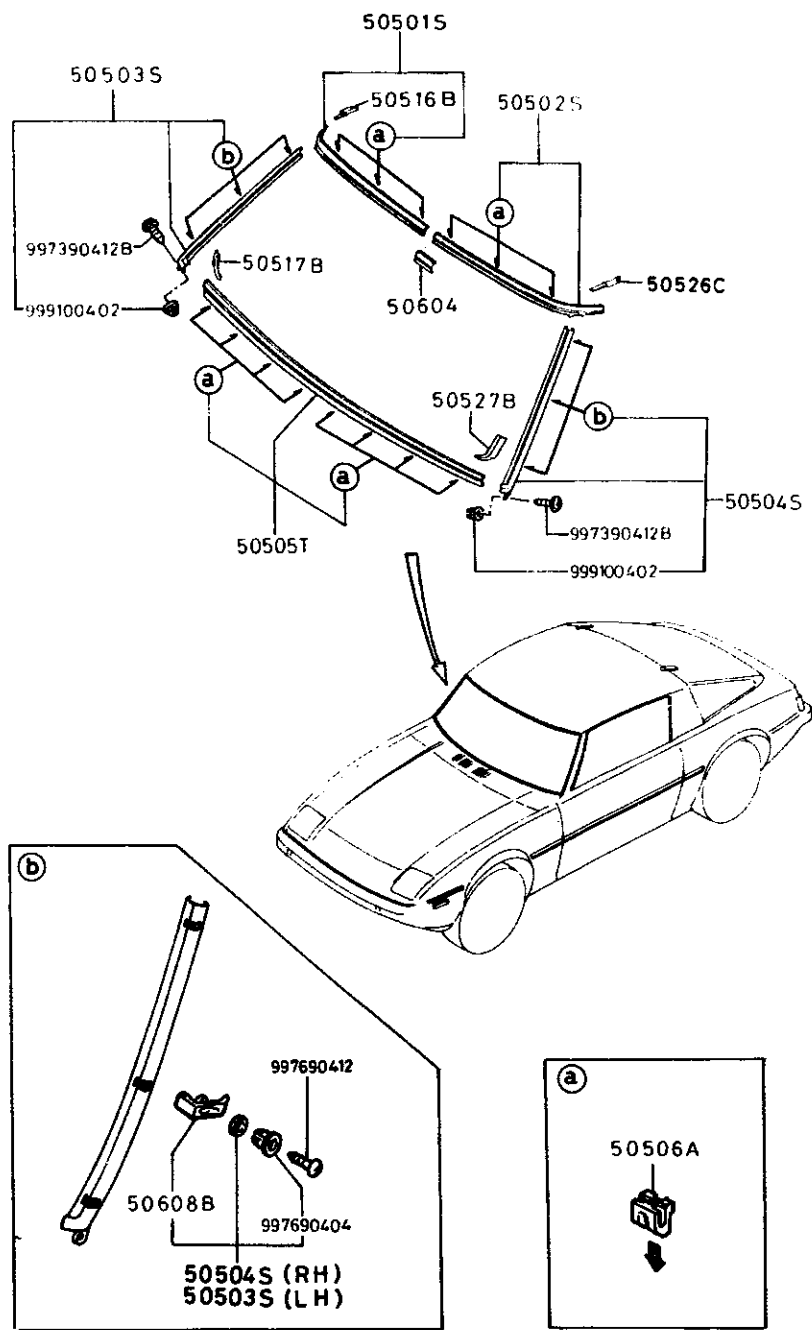


5010A-1 REAR BUMPER



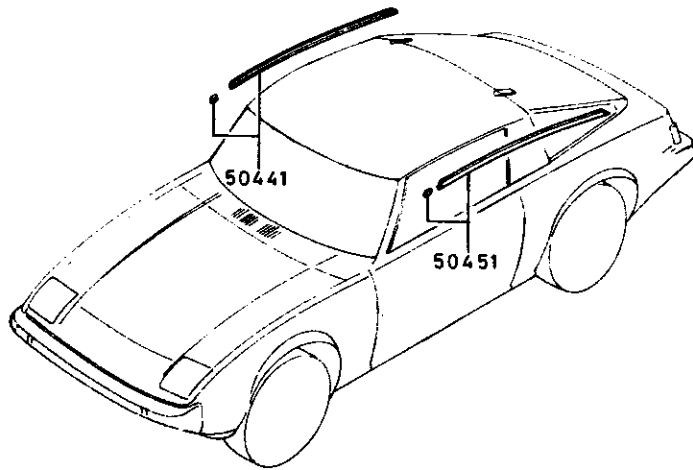
ITEM NO.	D-CODE	DESCRIPTION	PART NO.	QTY	MODEL/DESCRIPTION	REMARKS
32 186B		BOLT	0603-32-186	2	'81 MODEL	FB331 ..500001-507334
50 013		PROTECTOR	FA01-50-013	3		
50 014A		PROTECTOR	FA01-50-014	2		
50 015D		BOLT	FA01-50-015	2		
50 036D		FASTENER	FA01-50-036	1		
50 042E		SLIDE 'B' (R), BUMPER	FA01-50-232	1		
50 052E		SLIDE 'B' (L), BUMPER	FA01-50-242	1		
50 200A		ABSORBER, SHOCK-REAR	FA01-50-280A	2		
50 211A		PLATE SET	FA01-50-211	4		
50 221		BUMPER, REAR	FA01-50-220	1		
50 230		REINFORCEMENT, BUMPER	FA01-50-330A	1		
50 233B		SLIDE 'A' (R), BUMPER	FA01-50-230	1		
50 243B		SLIDE 'A' (L), BUMPER	FA01-50-240	1		
50 292		GASKET, HOLE COVER	8871-50-232	2		
50 310		COVER, SERVICE HOLE	8871-50-231	2		
50 311A		FILLER, REAR BUMPER	FA01-50-223	1		
50 340		HOLDER, LICENSE PLATE	FA01-50-380	1		
67 056D		RIVET	W023-67-056	7		

5030A-1 WINDOW MOULDINGS



ITEM NO.	D-CODE	DESCRIPTION	PART NO.	QTY	MODEL/DESCRIPTION	REMARKS
50 501S		MOULDING SET (R), FRONT-UPPER	8871-99-741B	1		
50 502S		MOULDING SET (L), FRONT-UPPER	8871-99-742B	1		
50 503S		MOULDING SET (R), FRONT-SIDE	8871-99-743B	1		
50 504S		MOULDING SET (L), FRONT-SIDE	8871-99-744B	1		
50 505T		MOULDING SET, FRONT-LOWER	8871-99-745A	1		
50 506A		CLIP	1243-50-609	14		
50 516B		DUM 'A' (R)	8871-50-516	1		
50 517B		DUM 'B' (R)	8871-50-517	1		
50 526C		DUM 'A' (L)	8871-50-526	1		
50 527B		DUM 'B' (L)	8871-50-527	1		
50 604		JOINT, MOULDING-UPPER	8871-50-950B	1		
50 608B		FASTENER, W/SHIELD MLDG.-FRONT	8871-50-608	6		

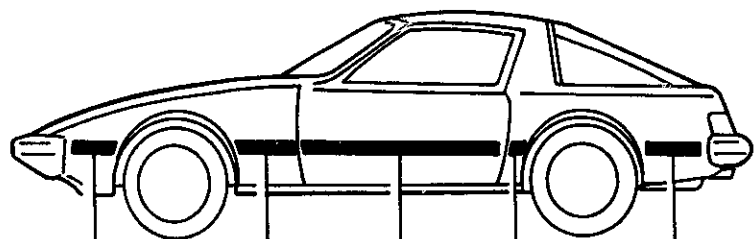
5040A-1 BODY MOULDINGS



ITEM NO.	D-CODE	DESCRIPTION	PART NO.	QTY	MODEL/DESCRIPTION	REMARKS
	50 441	MOULDING (R), DRIP	8871-50-510C	1		
	50 451	MOULDING (L), DRIP	8871-50-520C	1		

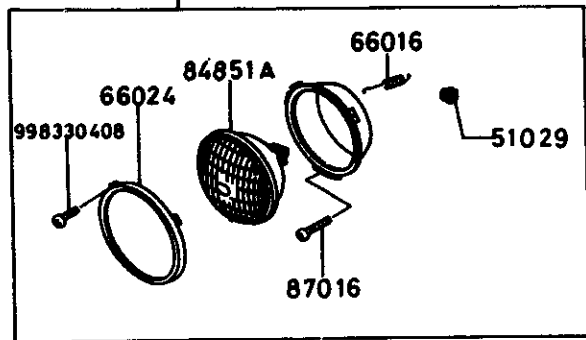
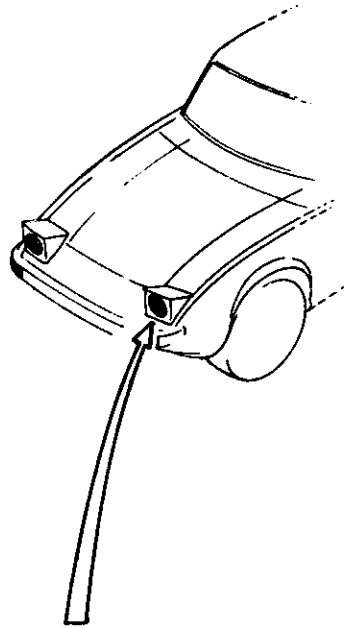
5060A-1 SIDE PROTECTORS

ITEM NO.	D-CODE	DESCRIPTION	PART NO.	QTY	MODEL/DESCRIPTION	REMARKS
	50 681D	PROTECTOR 'B' (R), SIDE	FA02-50-682	1		
	50 682A	PROTECTOR 'C' (R), SIDE	FA02-50-683	1		
	50 682B	PROTECTOR 'C' (L), SIDE	FA02-50-693	1		
	50 683D	PROTECTOR 'D' (R), SIDE	FA02-50-684	1		
	50 684D	PROTECTOR 'E' (R), SIDE	FA01-50-685	1		
	50 686D	PROTECTOR 'B' (L), SIDE	FA02-50-692	1		
	50 688D	PROTECTOR 'D' (L), SIDE	FA02-50-694	1		
	50 689D	PROTECTOR 'E' (L), SIDE	FA01-50-695	1		
	50 692D	PROTECTOR 'A' (R), SIDE	FA01-50-681	1		
	50 697D	PROTECTOR 'A' (L), SIDE	FA01-50-691	1		



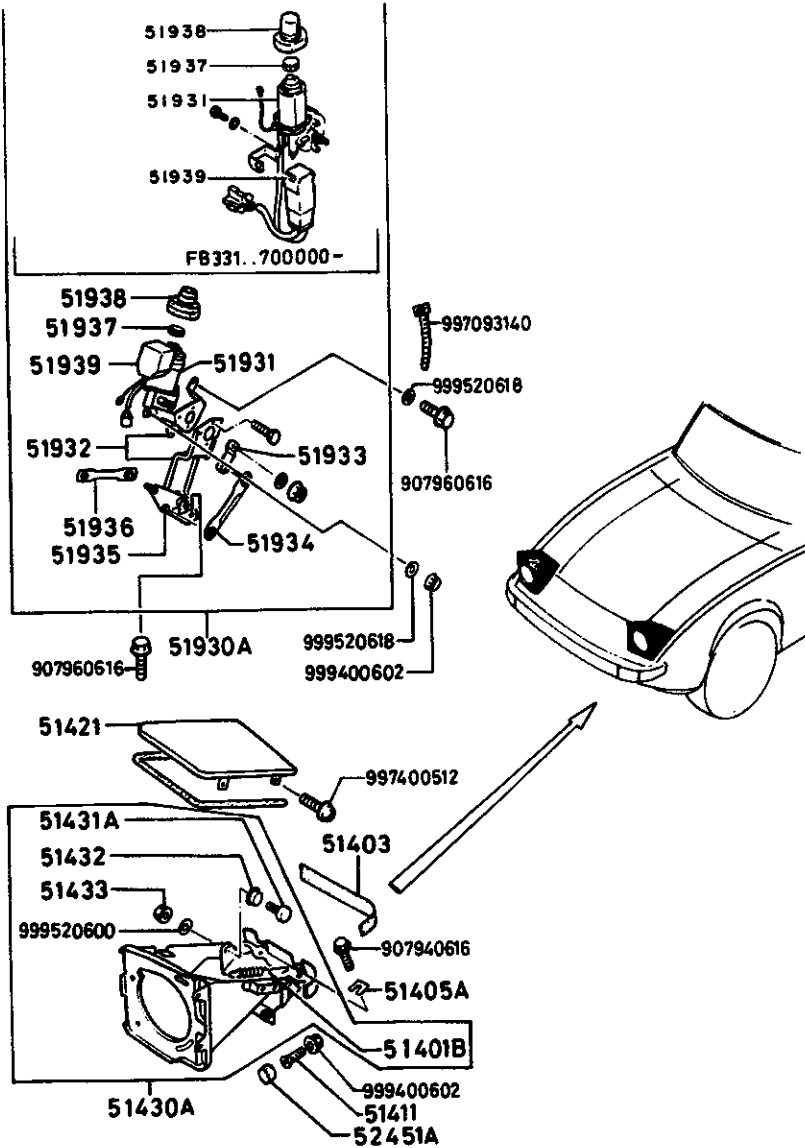
50697D	50686D	50682B	50688D	50689D (L.H.)
50692D	50681D	50682A	50683D	50684D (R.H.)

5100A-1 HEAD LAMPS



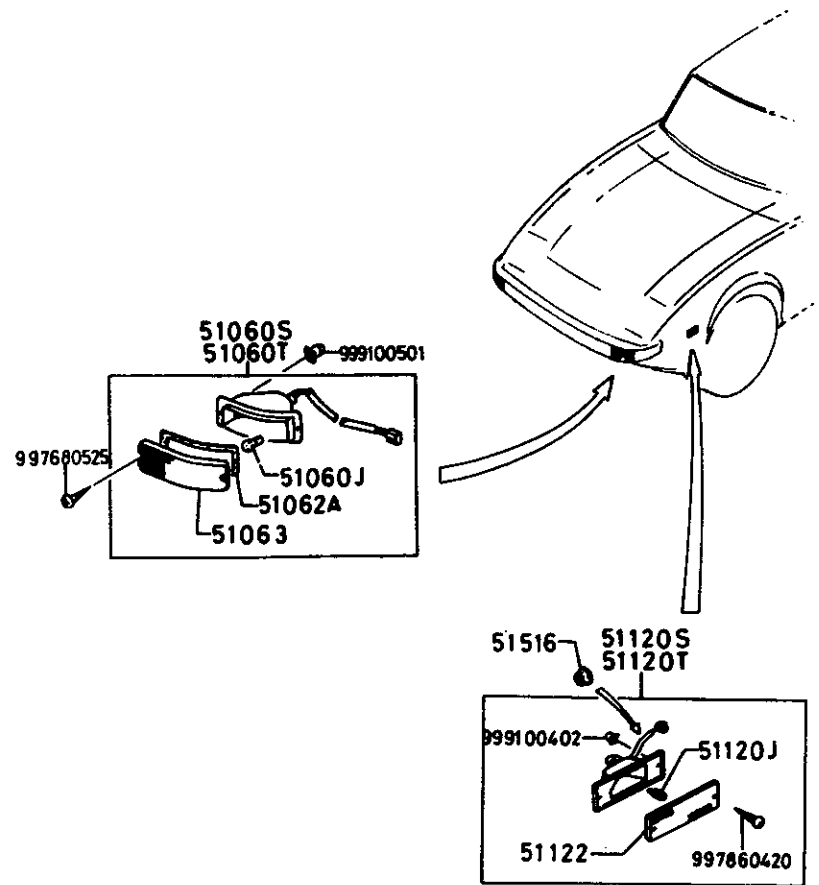
ITEM NO.	D-CODE	DESCRIPTION	PART NO.	QTY	MODEL/DESCRIPTION	REMARKS
51 029		GROMMET, SCREW	0483-66-061A	4		
51 030S		LAMP SET (R), HEAD	8871-89-661	1	(CONVENTIONAL) S MODEL	
			FA02-89-661	1	(HALOGEN) GS & GSL MODELS	
51 030T		LAMP SET (L), HEAD	FA02-89-666	1	(HALOGEN) GS & GSL MODELS	
			8871-89-666	1	(CONVENTIONAL) S MODEL	
66 016		SPRING, ADJUST	8871-51-021	2		
66 024		RING, RETAINING	8871-51-033	2		
84 851A		BEAM, SEALED	0000-11-6014	2	(CONVENTIONAL) S MODEL	
			0000-11-6024-HL	2	(HALOGEN) GS & GSL MODELS	
87 016		SCREW, ADJUST	3958-51-021	4		

5103A-1 HEAD LAMP RETRACTORS



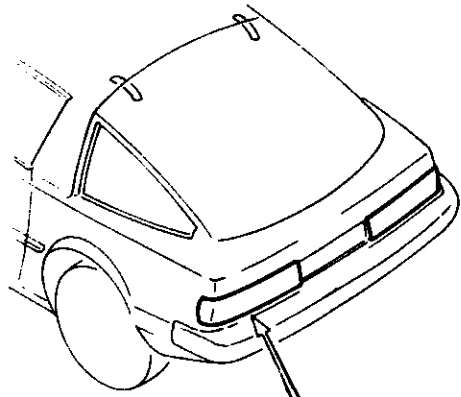
ITEM NO.	D-CODE	DESCRIPTION	PART NO.	QTY	MODEL/DESCRIPTION	REMARKS
51 401B		SPRING, LID-LAMP	8871-51-401	2		
51 403		PROTECTOR	8871-51-403	2		
51 405A		SHIM, TILTING HINGE	8871-51-405	6		
51 411		SCREW, STOPPER	8871-51-411	2		
51 421		LID (R), LAMP	8871-51-421A	1		
		LID (L), LAMP	8871-51-621A	1		
51 430A		HINGE (R), LID-LAMP	8871-51-430C	1		
		HINGE (L), LID-LAMP	8871-51-630C	1		
51 431A		BOLT, HINGE	8871-51-431	4		
			H001-51-511	4	'83 MODEL	FB331 ..703771-
51 432		BUSHING, HINGE BOLT	8871-51-432	4		
51 433		NUT, HINGE	8871-51-433	4		
			9994-00-600	4	'83 MODEL	FB331 ..703771-
51 930A		MOTOR & LINK (R)	FA01-51-930B	1		
		MOTOR & LINK (L)	FA01-51-940B	1		
51 931		MOTOR (R)	FA01-51-931B	1		
		MOTOR (L)	FA01-51-941B	1		
51 932		BRACKET (R)	8871-51-932	1		
		BRACKET (L)	8871-51-942	1		
51 933		ROD, MOTOR	8871-51-933	2		
51 934		ROD 'A'	8871-51-934	2		
51 935		LEVER (R), LINK	8871-51-935	1		
		LEVER (L), LINK	8871-51-945	1		
51 936		ROD 'B'	8871-51-936	2		
51 937		KNOB	8871-51-937	2	'81 & '82 MODELS	FB331 ..500001-700000
			H001-51-667	2	'83 MODEL	
51 938		BOOT	8871-51-938	2	'81 & '82 MODELS	FB331 ..500001-700000
			H001-51-666	1	'83 MODEL	
51 939		RELAY	8871-51-939	2	'81 & '82 MODELS	FB331 ..500001-700000
			FA01-51-939	1	'83 MODEL	
52 451A		RUBBER, CUSHION	0866-52-451	2		

5105A-1 FRONT COMBINATION & SIDE TURN LAMPS

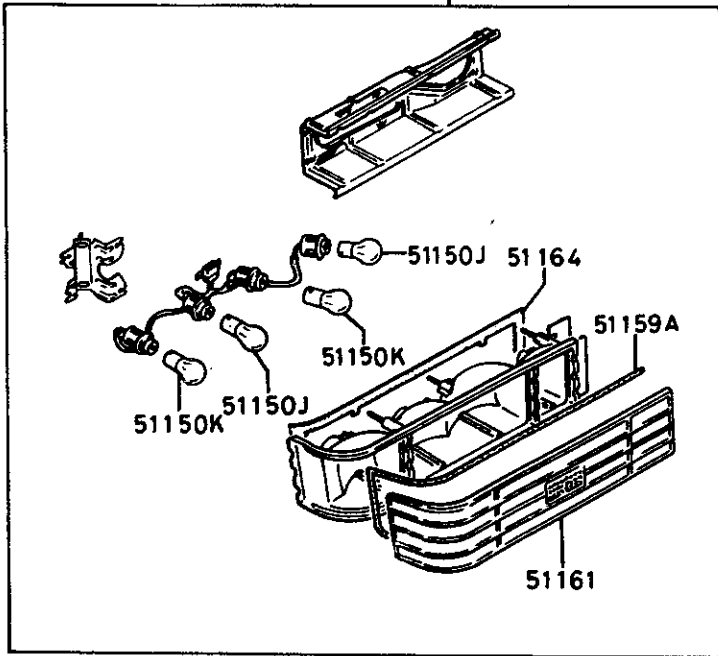


ITEM NO.	D-CODE	DESCRIPTION	PART NO.	QTY	MODEL/DESCRIPTION	REMARKS
51 060J		BULB	0000-11-1157	2	(A12V 27/8W)	
51 060S		LAMP SET (R), FRONT COMB.	FA01-89-662	1		
51 060T		LAMP SET (L), FRONT COMB.	FA01-89-667	1		
51 062A		GASKET, FRONT COMB.	FA01-51-063	2		
51 063		LENS (R), FRONT COMB.	FA01-51-061	1		
		LENS (L), FRONT COMB.	FA01-51-071	1		
51 120J		BULB	0000-11-0194	2	(A12V 3.8W)	
51 120S		LAMP SET (R), SIDE TURN	FA01-89-663	1		
51 120T		LAMP SET (L), SIDE TURN	FA01-89-668	1		
51 122		LENS (R), SIDE TURN	FA01-51-121	1		
		LENS (L), SIDE TURN	FA01-51-131	1		
51 516		PROTECTOR, CORD	8545-51-516	2		

5110A-1 REAR COMBINATION LAMPS

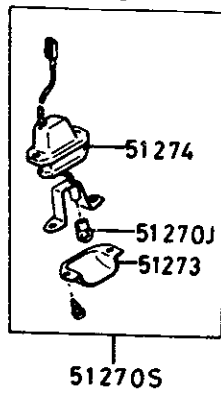
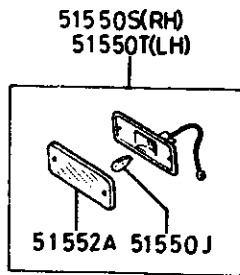
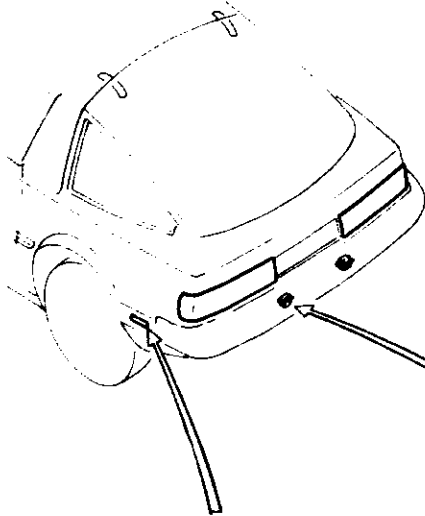


51150S(RH)
51150T(LH)



ITEM NO.	D-CODE	DESCRIPTION	PART NO.	QTY	MODEL/DESCRIPTION	REMARKS
51 150J		BULB	0000-11-1156	4	(A12V 27W)	
51 150K		BULB	0000-11-1157	4	(A12V 27/8W)	
51 150S		LAMP SET (R), RR. COMB.	FA01-89-664	1		
51 150T		LAMP SET (L), RR. COMB.	FA01-89-669	1		
51 159A		PROTECTOR, RR. COMB.	FA01-51-159	2		
51 161		LENS (R), RR. COMB.	FA01-51-151D	1		
		LENS (L), RR. COMB.	FA01-51-161D	1		
51 164		GASKET (R), RR. COMB.	FA01-51-153A	1		
		GASKET (L), RR. COMB.	FA01-51-163A	1		

5120A-1 LICENSE & REAR SIDE TURN LAMPS



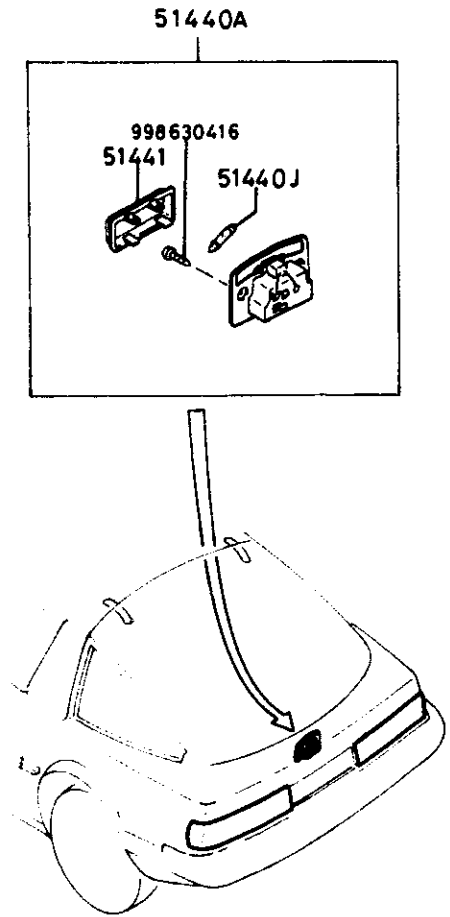
ITEM NO.	D.CODE	DESCRIPTION	PART NO.	QTY	MODEL/DESCRIPTION	REMARKS
51 270J		BULB	9970-03-060T	2	(A12V 6W)	
51 270S		LAMP SET, LICENSE	3874-89-665A	2		
51 273		LENS, LICENSE LAMP	3874-66-371	2		
51 274		GASKET, LICENSE LAMP	3874-66-373	2		
51 550J		BULB	0000-11-0194	2	(A12V 3.8W)	
51 550S		LAMP SET (R), SIDE TURN	FA01-89-673	1		
51 550T		LAMP SET (L), SIDE TURN	FA01-89-678	1		
51 552A		LENS (R), SIDE TURN	FA01-51-551	1		
		LENS (L), SIDE TURN	FA01-51-561	1		

SECTION INDEX -- BODY

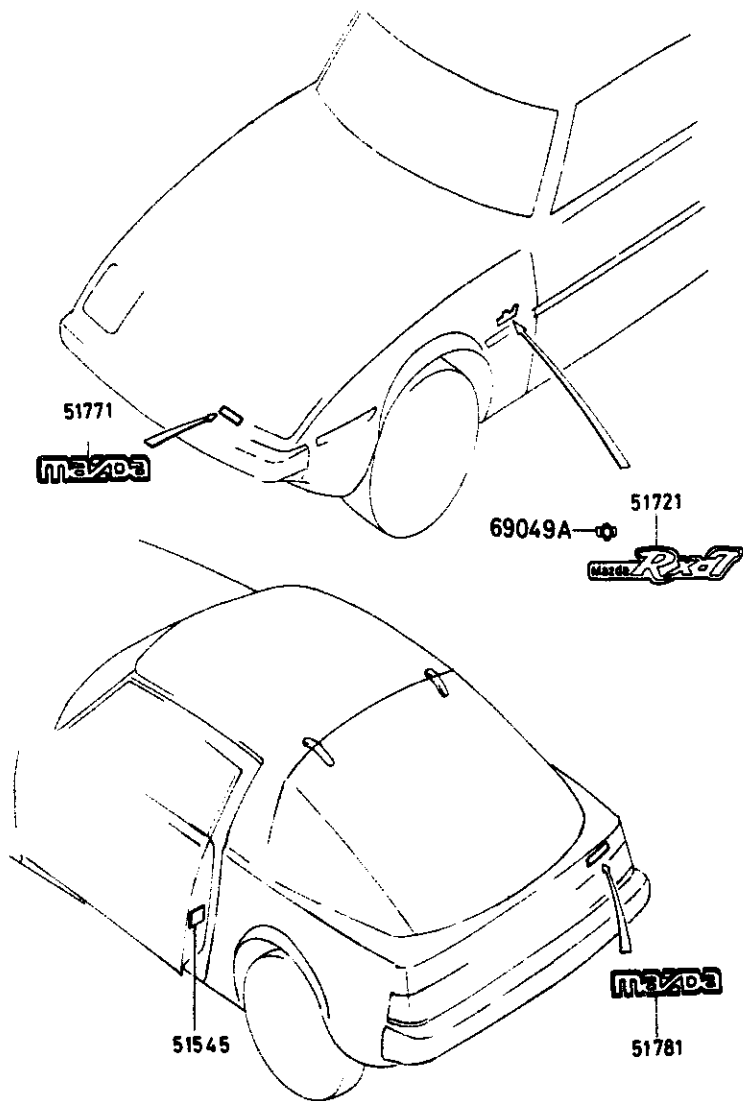
STARTING LOCATION	SECT. NO.	SECTION NAME	STARTING LOCATION	SECT. NO.	SECTION NAME	STARTING LOCATION	SECT. NO.	SECTION NAME
2 - C 3	0900A	KEY SETS	2 - C 8	6132AC	CONDENSER PACKAGE ('83 MODEL)	2 - H11	6870A	SERVICE TOOLS
2 - D 3	5000A	FRONT BUMPER	2 - E 8	6142A	COMPRESSOR MOUNTING KIT, COMPRESSOR/CLUTCH ASSEMBLY & REPAIR PARTS ('81 MODEL)	2 - I11	6900A	VISOR, ASSIST HANDLE & MIRRORS
2 - E 3	5005A	RADIATOR GRILLE	2 - F 8	6142AB	COMPRESSOR MOUNTING KIT, COMPRESSOR/CLUTCH ASSEMBLY & REPAIR PARTS ('82 MODEL)	2 - L11	6930A	CAUTION PLATES
2 - F 3	5010A	REAR BUMPER	2 - G 8	6142AC	COMPRESSOR MOUNTING KIT, COMPRESSOR/CLUTCH ASSEMBLY & REPAIR PARTS ('83 MODEL)			
2 - G 3	5030A	WINDOW MOULDINGS	2 - H 8	6152A	EVAPORATOR PACKAGE ('81 MODEL)			
2 - H 3	5040A	BODY MOULDINGS	2 - I 8	6152AB	EVAPORATOR PACKAGE ('82 MODEL)			
2 - I 3	5060A	SIDE PROTECTORS	2 - J 8	6152AC	EVAPORATOR PACKAGE ('83 MODEL)			
2 - J 3	5100A	HEAD LAMPS	2 - K 8	6230A	BACK DOOR MECHANISM			
2 - K 3	5103A	HEAD LAMP RETRACTORS	2 - L 8	6300A	WINDOW GLASSES			
2 - L 3	5105A	FRONT COMBINATION & SIDE TURN LAMPS	2 - M 8	6330A	SUNROOF (GSI)			
2 - M 3	5110A	REAR COMBINATION LAMPS	2 - N 8	6600A	SWITCH & RELAY (ENGINE & TRANSMISSION)			
2 - N 3	5120A	LICENSE & REAR SIDE TURN LAMPS	2 - C 9	6610A	DASHBOARD SWITCHES (MANUAL OPERATING)			
2 - C 4	5125A	INTERIOR LAMPS (GS & GSI)	2 - D 9	6611A	COMBINATION SWITCH			
2 - D 4	5170A	ORNAMENTS	2 - E 9	6615A	POWER WINDOW SWITCH			
2 - E 4	5180A	COWL & EXTRACTOR GRILLES	2 - F 9	6620A	DOOR, PARKING LAMP & KICK DOWN SWITCH			
2 - F 4	5230A	HOOD	2 - G 9	6630A	RELAY (BODY)			
2 - G 4	5310A	BODY PANELS (FRONT)	2 - H 9	6635A	HORN			
2 - I 4	5340A	BODY PANELS (SIDE & ROOF)	2 - I 9	6640A	AUTO CRUISE CONTROL			
2 - J 4	5360A	BODY PANELS (FLOOR)	2 - J 9	6680A	AUDIO SYSTEM			
2 - K 4	5370A	FLOOR ATTACHMENTS	2 - M 9	6700A	WIRE HARNESS (FRONT & REAR)			
2 - L 4	5500A	DASHBOARD EQUIPMENT	2 - N 9	6701A	WIRE HARNESS (ENGINE & TRANSMISSION)			
2 - N 4	5540A	METERS	2 - C10	6702A	WIRE HARNESS (DASHBOARD)			
2 - C 5	5560A	DASHBOARD & RELATED	2 - D10	6703A	WIRE HARNESS (DOOR, FLOOR & CEILING)			
2 - E 5	5570A	CONSOLE	2 - E10	6704A	WIRE HARNESS CLAMPS			
2 - G 5	5580A	VENTILATOR	2 - F10	6720A	WINDSHIELD WASHER			
2 - H 5	5700A	SEATS ('81 & '82) MODELS	2 - G10	6730A	WINDSHIELD WIPER			
2 - C 6	5700AA	SEATS ('83 MODEL)	2 - H10	6740A	WIPER MOTOR (COMPONENTS ONLY)			
2 - H 6	5790A	SEAT BELTS	2 - I10	6750A	REAR WINDOW WIPER & WASHER			
2 - J 6	5800A	FRONT DOOR	2 - J10	6760A	REAR WINDOW WIPER MOTOR (COMPONENTS ONLY)			
2 - K 6	5830A	FRONT DOOR MECHANISM	2 - K10	6800A	CEILING TRIM			
2 - C 7	5840A	FRONT DOOR TRIM & RELATED PARTS	2 - C11	6840A	TRIM & SCUFF PLATE			
2 - F 7	6100A	HEATER	2 - F11	6860A	FLOOR MATS & PADS			
2 - G 7	6110A	HEATER UNIT						
2 - H 7	6115A	HEATER CONTROLS						
2 - I 7	6120A	HEATER BLOWER						
2 - J 7	6132A	CONDENSER PACKAGE ('81 MODEL)						
2 - L 7	6132AB	CONDENSER PACKAGE ('82 MODEL)						

5125A-1 INTERIOR LAMPS (GS & GSL)

ITEM NO.	D-CODE	DESCRIPTION	PART NO.	QTY	MODEL/DESCRIPTION	REMARKS
51 440A		LAMP, CARGO ROOM	FA01-51-440	1	GS & GSL MODELS	
51 440J		BULB	0000-11-3022	1	(A12V 5W)	
51 441		LENS	FA01-51-441	1		

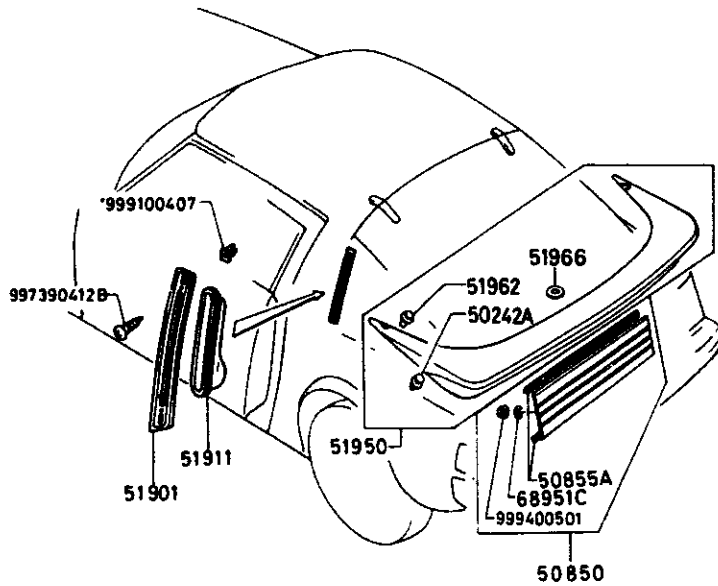
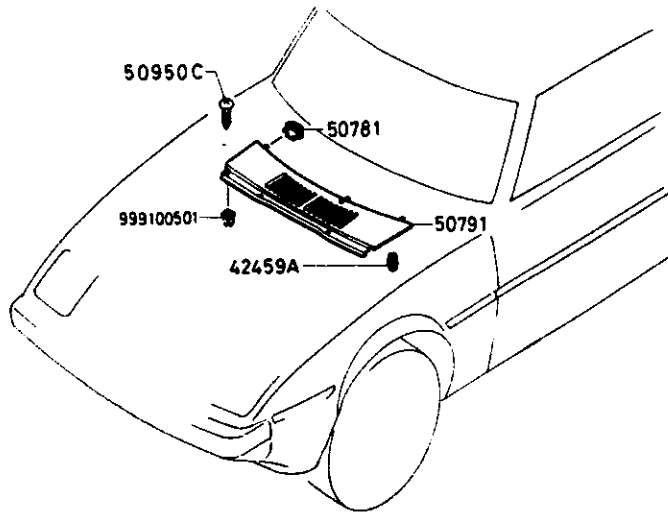


5170A-1 ORNAMENTS



ITEM NO.	D-CODE	DESCRIPTION	PART NO.	QTY	MODEL/DESCRIPTION	REMARKS
51 545		REFLECTOR, DOOR	1243-51-545	1		
51 721		NAME, SIDE	8871-51-721	2		
51 771		ORNAMENT, FRONT	F001-51-771	1	(MAZDA)	
51 781		ORNAMENT, REAR	F001-51-781	1	(MAZDA)	
69 049A		NUT, SPEED	0187-69-049A	8		

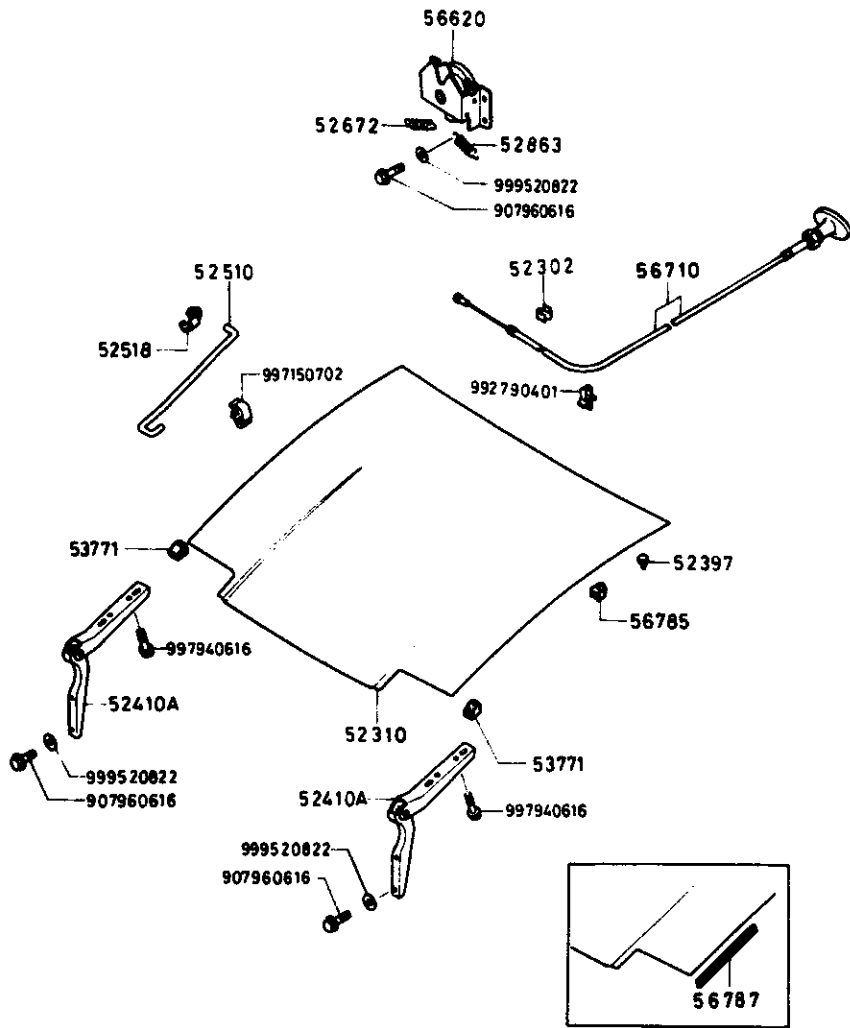
5180A-1 COWL & EXTRACTOR GRILLES



ITEM NO.	D.CODE	DESCRIPTION	PART NO.	QTY	MODEL/DESCRIPTION	REMARKS
42 459A		RUBBER, CUSHION	0259-42-459	4		
50 242A		FASTENER	G001-50-242	5		
50 781		PROTECTOR, COWL GRILLE	8531-50-792	3		
50 791		GRILLE, COWL	8871-50-791A	1		
50 850		FINISHER, REAR	FA07-50-840C	1		
50 855A		PROTECTOR, REAR FINISHER	FA01-50-855	2		
50 950C		SCREW	G030-50-950	4		
51 901		GRILLE (R), EXTRACTOR	8871-51-901C	1		
		GRILLE (L), EXTRACTOR	8871-51-951C	1		
51 911		EXTRACTOR (R)	8871-51-911A	1		
		EXTRACTOR (L)	8871-51-961A	1		
51 950		SPOILER, REAR	FA16-51-960B	1		
51 962		GROMMET, SCREW	FA16-51-962A	2		
51 966		PROTECTOR	FA16-51-966	6		
68 951C		PACKING	0305-68-951	2		

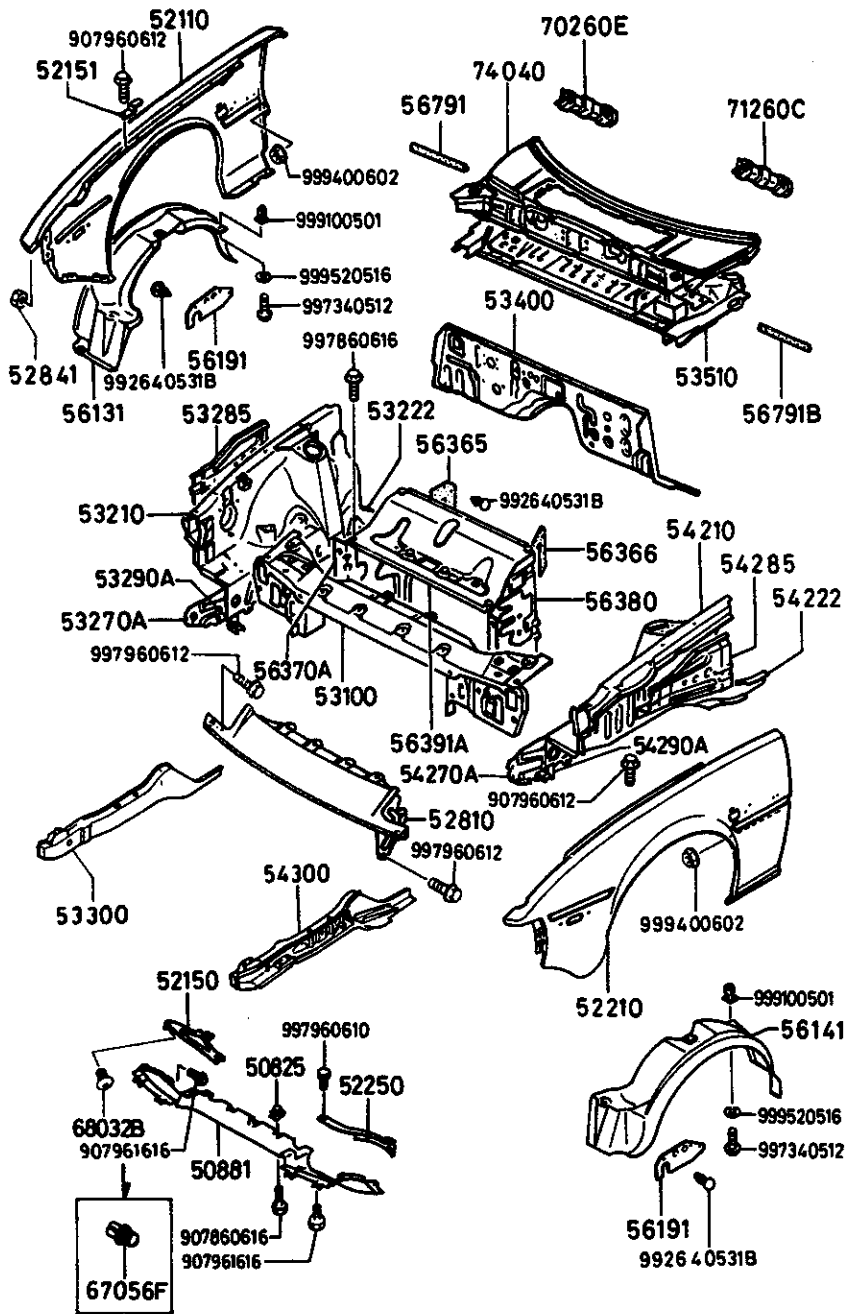
FB331 ..507335-

5230A-1 HOOD



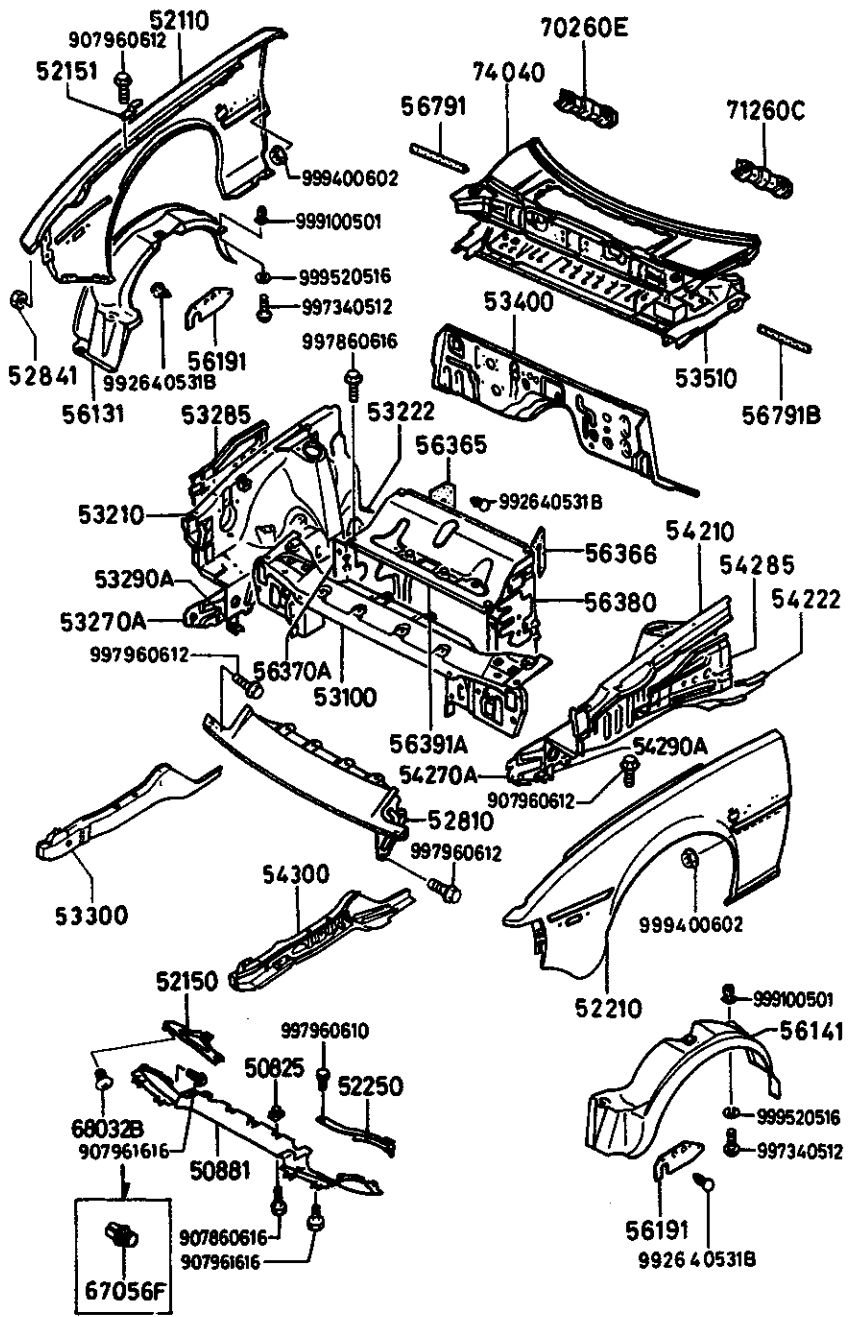
ITEM NO.	D-CODE	DESCRIPTION	PART NO.	QTY	MODEL/DESCRIPTION	REMARKS
52 302		CLAMP, RELEASE WIRE	0223-52-302	1		
52 310		HOOD	8871-74-250	1		
52 397		RUBBER, CUSHION	0187-52-231	2		
52 410A		HINGE, HOOD	8871-52-410	2		
52 510		STAY, HOOD	8871-52-511B	1		
52 518		HOLDER, HOOD STAY	8871-52-518	1		
52 672		SPRING, RETURN	1011-56-672A	1		
52 863		SPRING, RETURN	0305-52-863B	1		
53 771		RUBBER, CUSHION	8545-56-801A	2		
			< AN >	2		
56 620		LOCK, HOOD	1708-56-620D	1		
56 710		WIRE, RELEASE-HOOD	8871-56-710A	1		
56 785		CUSHION	8871-56-785	1		
56 787		WEATHERSTRIP, HOOD	8871-56-787A	1		

5310A-1 BODY PANELS (FRONT)



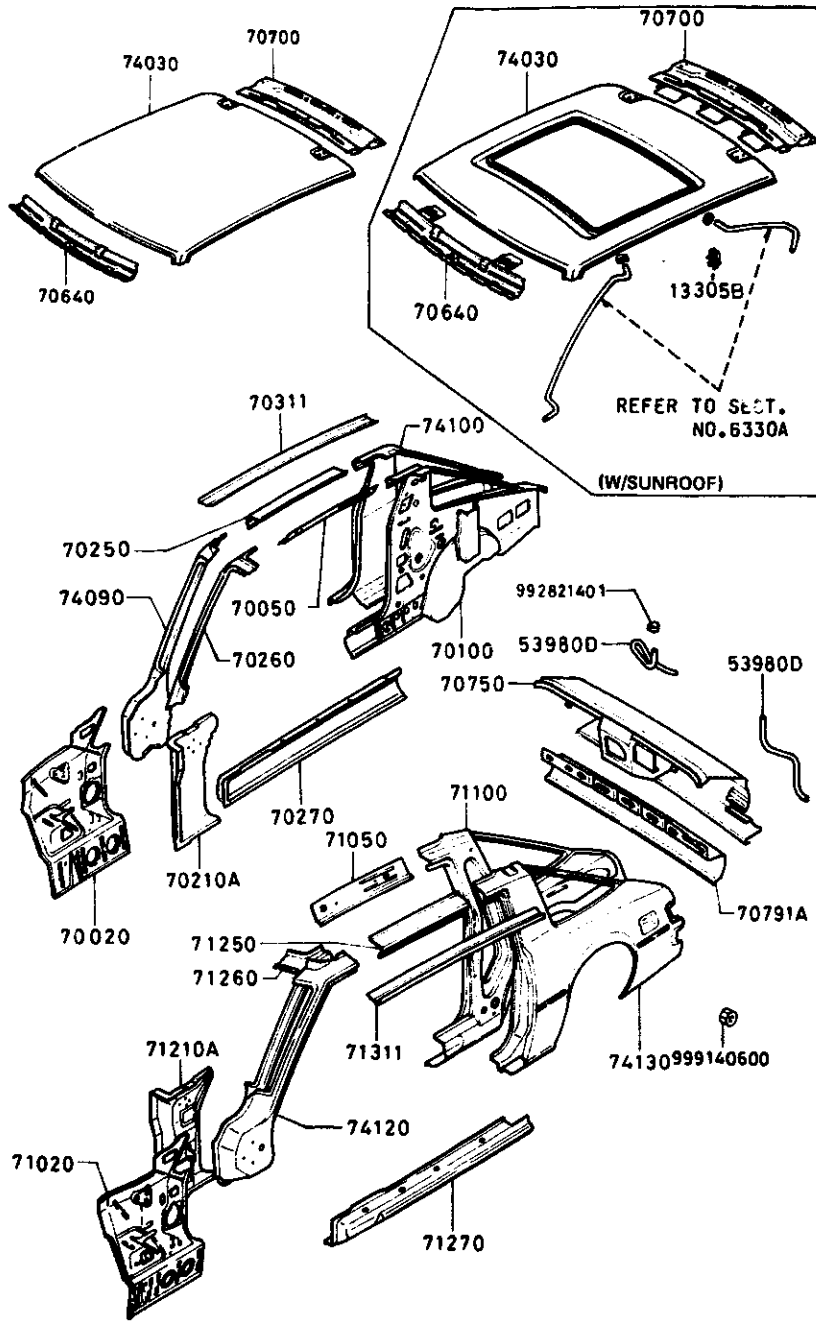
ITEM NO.	D-CODE	DESCRIPTION	PART NO.	QTY	MODEL/DESCRIPTION	REMARKS
50 825		NUT, CLIP	8871-50-825	4		
50 881		SPOILER, FRONT	FA01-51-980B	1		
52 110		PANEL (R), FENDER-FRONT	FA01-52-111D	1		
52 150		STAY (R), FENDER	FA01-52-130A	1		
52 151		PLATE, SET-FENDER	8871-52-151	1		
52 210		PANEL (L), FENDER-FRONT	FA01-52-211D	1		
52 250		STAY (L), FENDER	FA01-52-230A	1		
52 810		PANEL, NOSE	8871-52-810G	1		
52 841		NUT, CLIP-FRONT FENDER	8545-52-841	2		
53 100		PANEL, RADIATOR SHROUD	FA54-53-100	1		
53 210		PANEL (R), WHEEL APRON	F003-53-210G	1		
53 222		PLATE (R), CLOSING-REAR	8871-53-240A	1		
53 270A		PLATE (R), CLOSING	FA01-53-270A	1		
53 285		REINFORCEMENT (R), WHEEL APRON	8871-53-285C	1		
53 290A		BRACKET (R), FENDER	FA01-53-290	1		
53 300		FRAME (R), SIDE-FRONT	FA01-53-310H	1		
53 400		PANEL, DASH-LOWER	FA01-53-400E	1		
53 510		PANEL, DASH-UPPER	FA01-53-510	1		
54 210		PANEL (L), WHEEL APRON	F003-54-210G	1		
54 222		PLATE (L), CLOSING-REAR	8871-54-240A	1		
54 270A		PLATE (L), CLOSING	FA01-54-270A	1		
54 285		REINFORCEMENT (L), WHEEL APRON	8871-54-285C	1		
54 290A		BRACKET (L), FENDER	FA01-54-290	1		
54 300		FRAME (L), SIDE-FRONT	FA01-54-310H	1		
56 131		SHIELD (R), SPLASH	FA01-56-130	1		
56 141		SHIELD (L), SPLASH	FA01-56-140	1		
56 191		SHIELD, SPLASH	8871-56-191C	2		
56 365		PLATE (R), SEAL	8871-56-365	1		
56 366		PLATE (L), SEAL	8871-56-366	1		
56 370A		PANEL (R), SIDE	8871-56-370D	1		
56 380		PANEL (L), SIDE	8871-56-380D	1		
56 391A		PANEL, COWLING UP	8871-56-391	1		
56 791		RUBBER (R), SEAL	8871-56-791A	1		
56 791B		RUBBER (L), SEAL	8871-56-792A	1		
67 056F		RIVET	W023-67-056	2	'82 & '83 MODELS	FB331 ..605980-
68 032B		FASTENER	8001-68-032	2		
		BLACK	00			
		WHITE	08			
70 260E		BRACKET (R), INSTRUMENTATION	8871-70-260	1		

5310A-2 BODY PANELS (FRONT)



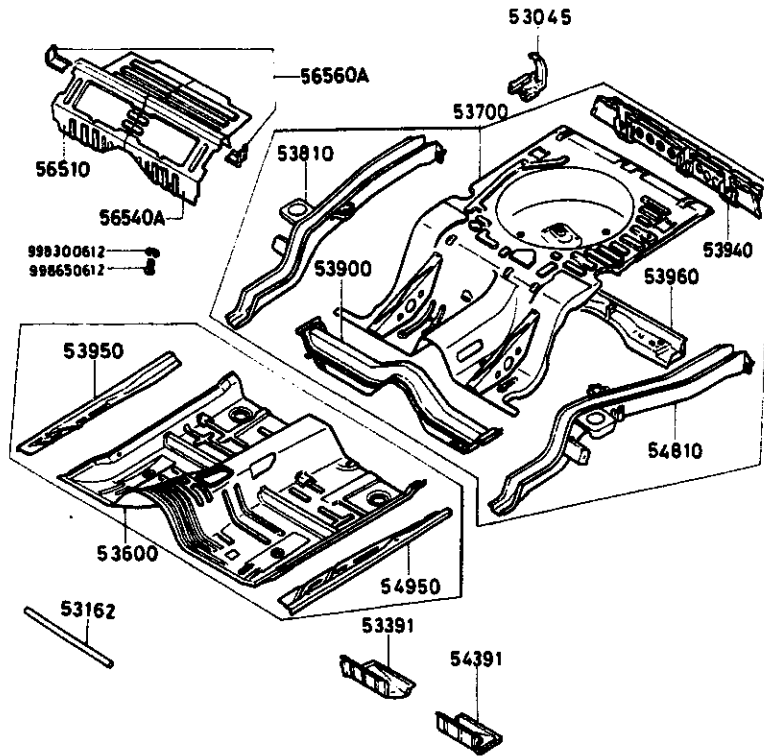
ITEM NO.	D-CODE	DESCRIPTION	PART NO.	QTY	MODEL/DESCRIPTION	REMARKS
	71 260C	BRACKET (L), INSTRUMENTATION	8871-71-260	1		
	74 040	PANEL, COWL	FA01-74-040A	1		

5340A-1 BODY PANELS (SIDE & ROOF)



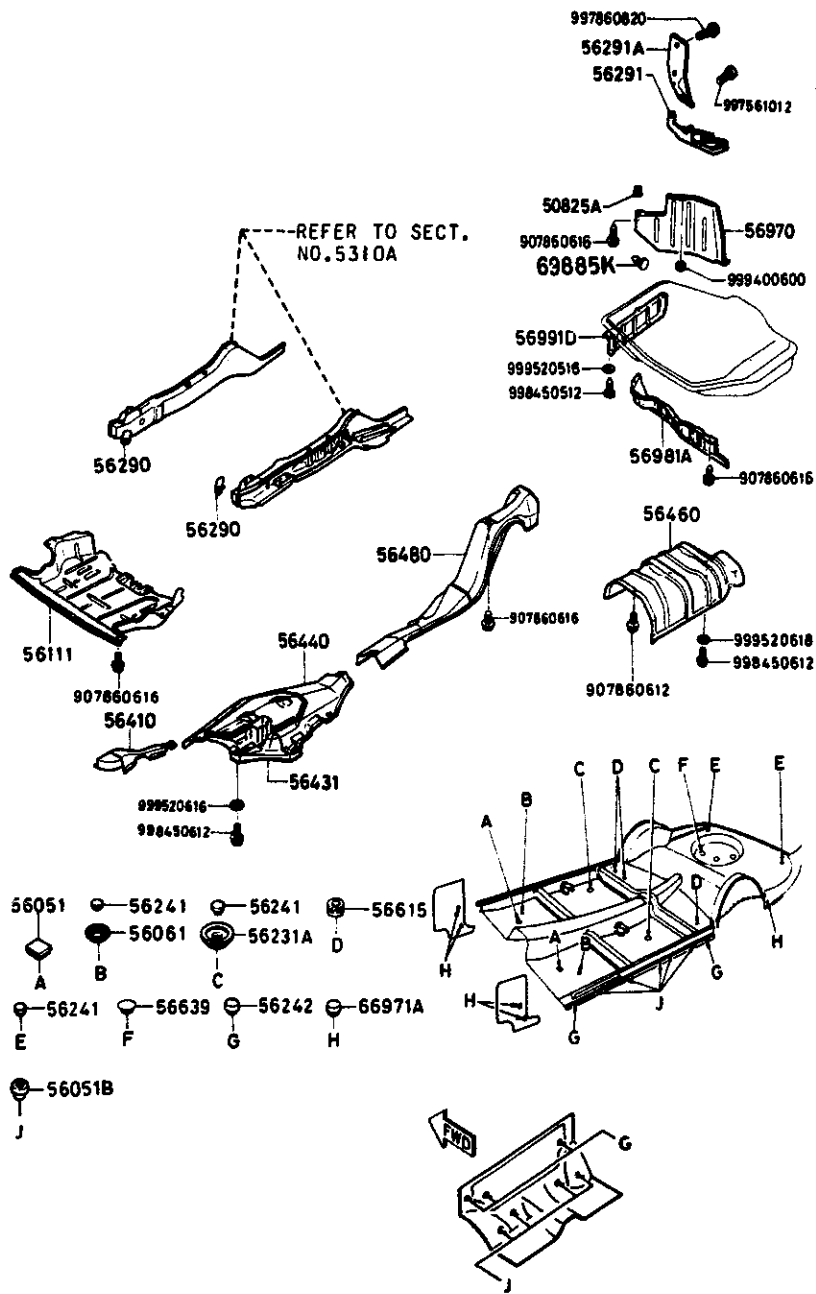
ITEM NO.	D-CODE	DESCRIPTION	PART NO.	QTY	MODEL/DESCRIPTION	REMARKS
	13 305B	CLIP, DRAIN HOSE	8871-13-305	2	SUNROOF	
	53 980D	HOSE, DRAIN-REAR	8871-56-751A	2		
	70 020	PANEL (R), COWL SIDE	8871-70-020E	1		
	70 050	RAIL (R), ROOF-INNER	8871-70-051D	1		
	70 100	PANEL (R), QUARTER	FA01-70-100I	1		
	70 210A	PILLAR (R), HINGE	FA54-70-210A	1		
	70 250	RAIL (R), ROOF-OUTER	8871-70-251	1		
	70 260	PILLAR (R), FRT.-INNER	8871-70-240C	1		
	70 270	PANEL (R), SIDE SILL	8871-70-271B	1		
	70 311	RAIL (R), RAIN	8871-70-311A	1		
	70 640	HEADER, FRONT	8871-70-640A	1	NORM. ROOF	
			8973-70-640A	1	SUNROOF	
	70 700	HEADER, REAR	FA01-70-700A	1	NORM. ROOF	
			FA04-70-700A	1	SUNROOF	
	70 750	PANEL, REAR END	FA01-70-750C	1		
	70 791A	PANEL, SKIRT-REAR	FA01-70-791	1		
	71 020	PANEL (L), COWL SIDE	FA16-71-020C	1		
	71 050	RAIL (L), ROOF-INNER	8871-71-051D	1		
	71 100	PANEL (L), QUARTER	FA01-71-100I	1		
	71 210A	PILLAR (L), HINGE	FA54-71-210B	1		
	71 250	RAIL (L), ROOF-OUTER	8871-71-251	1		
	71 260	PILLAR (L), FRT.-INNER	8871-71-240C	1		
	71 270	PANEL (L), SIDE SILL	8871-71-271B	1		
	71 311	RAIL (L), RAIN	8871-71-311A	1		
	74 030	PANEL, ROOF	1482-74-030	1	SUNROOF	
			8871-74-030	1	NORM. ROOF	
	74 090	PILLAR (R), HINGE-OUTER	8871-70-220C	1		
	74 100	PANEL (R), FENDER-REAR	FA01-70-400A	1		
	74 120	PILLAR (L), HINGE-OUTER	8871-71-220C	1		
	74 130	PANEL (L), FENDER-REAR	FA01-71-400B	1	'81 & '82 MODELS	
			FA42-71-400B	1	'83 MODEL	

5360A-1 BODY PANELS (FLOOR)



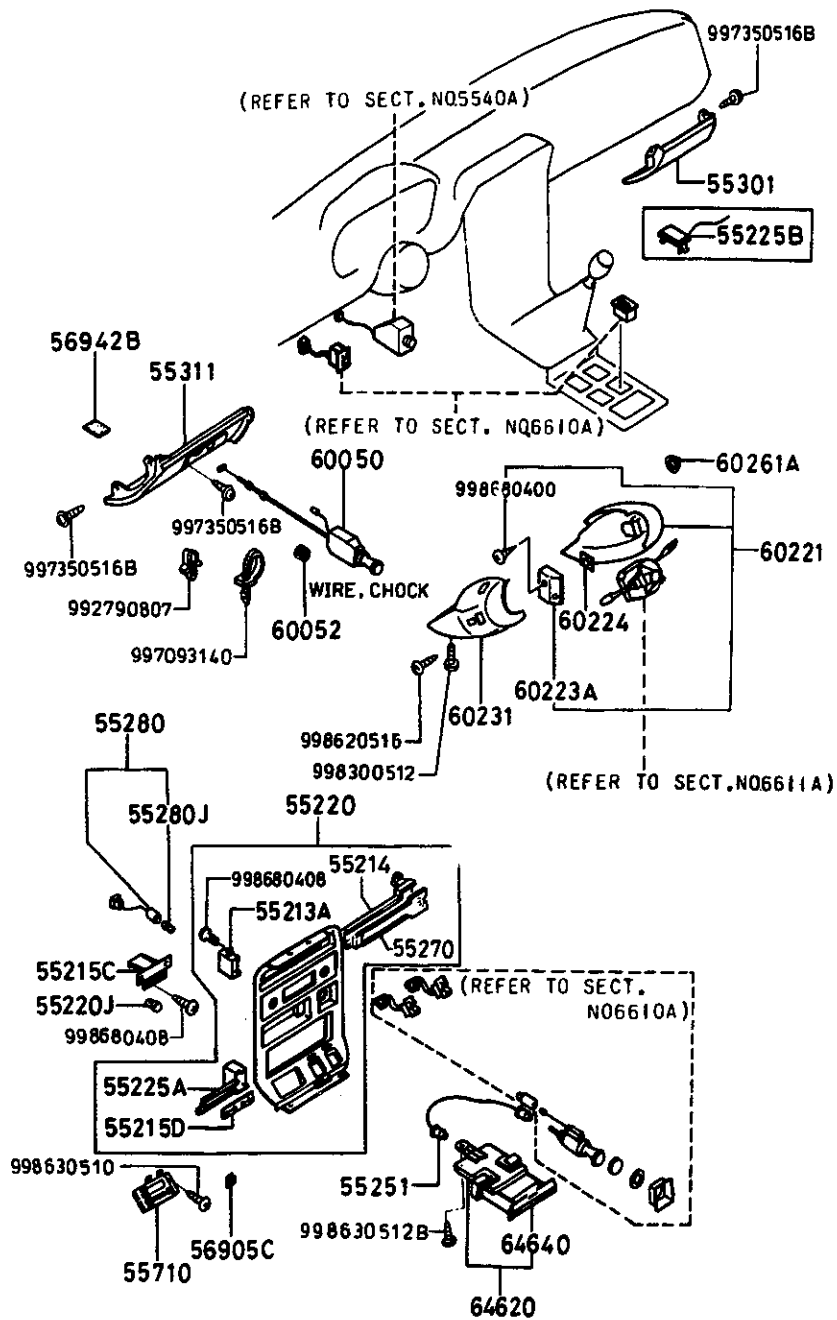
ITEM NO.	D-CODE	DESCRIPTION	PART NO.	QTY	MODEL/DESCRIPTION	REMARKS
53 045		BRACKET, JACK	8871-53-050A	1		
53 162		MEMBER, CROSS	8871-53-161	1		
53 391		BOX (R), TORQUE	FA01-53-391B	1		
53 600		PAN, FLOOR-FRONT	FA01-53-600B	1		
53 700		PAN, FLOOR-REAR	FA01-53-700G	1		
53 810		FRAME (R), REAR SIDE	FA01-53-810D	1		
53 900		MEMBER NO. 3, CROSS	FA01-53-900A	1		
53 940		MEMBER NO. 4, CROSS	FA01-53-940E	1		
		<C>	FA01-53-940F			REQUIRES BOLT (2): 9978-01-025 & WASHER (2): 9995-21-000
53 950		PANEL (R), SIDE SILL	8871-53-951B	1		
53 960		MEMBER NO. 5, CROSS	FA54-53-930	1		
54 391		BOX (L), TORQUE	8871-54-391C	1		
54 810		FRAME (L), REAR SIDE	FA01-54-810H	1		
54 950		PANEL (L), SIDE SEAL	8871-54-951A	1		
56 510		DECK (R), FLOOR	FA01-56-510	1		
56 540A		DECK (L), FLOOR	FA01-56-541A	1		
56 560A		BRACKET, DECK	8871-56-560A	2		

5370A-1 FLOOR ATTACHMENTS



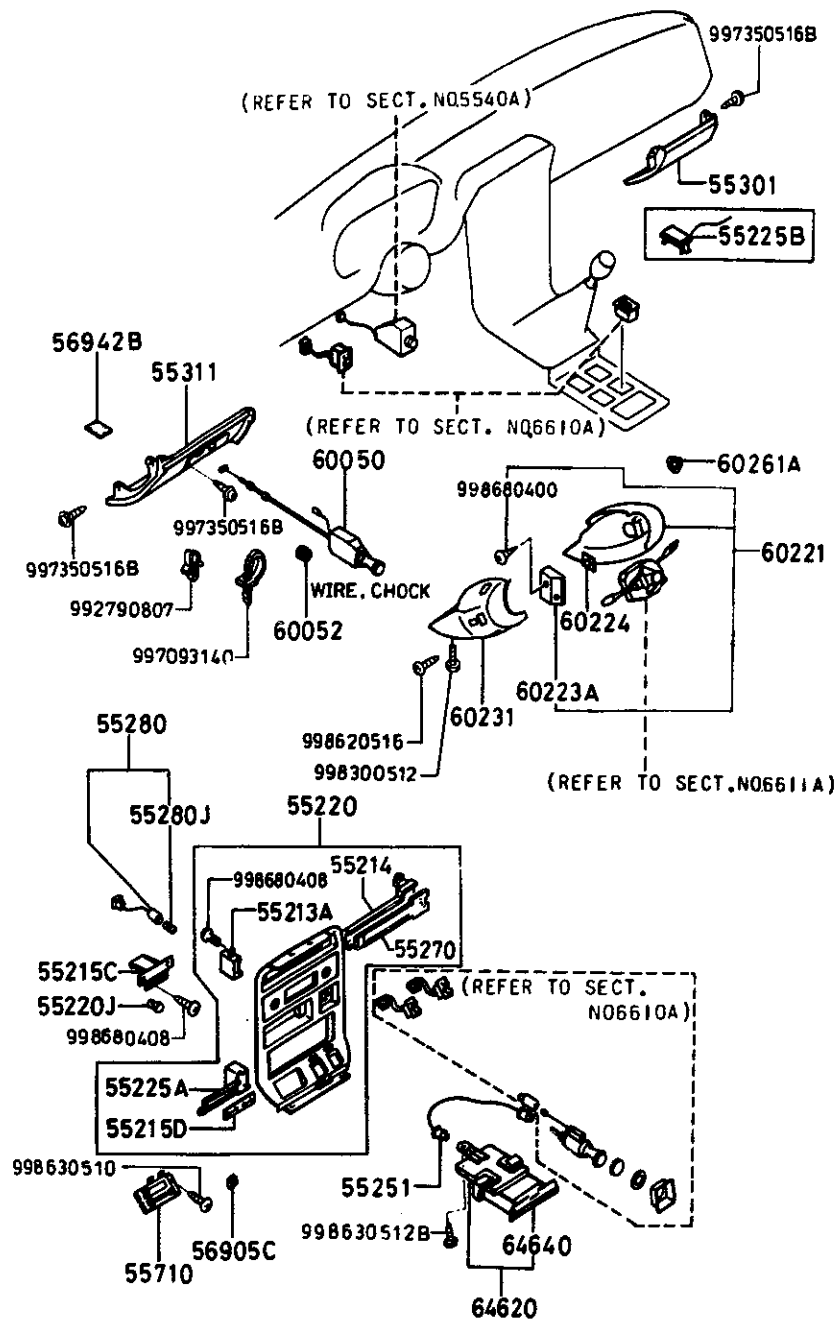
ITEM NO.	D-CODE	DESCRIPTION	PART NO.	QTY	MODEL/DESCRIPTION	REMARKS
50 825A		NUT, CLIP-PROTECTOR	8871-50-825	1		
56 051		COVER, HOLE	1011-56-051	2		
56 051B		COVER, HOLE	8001-56-051	10	(PLASTIC) '82 & '83 MODELS	FB331 ..633361-
56 061		COVER, SERVICE HOLE	8545-56-052	2		
56 111		COVER, UNDER	FA54-56-111C	1		
56 231A		COVER, SERVICE HOLE	8545-56-053	2		
56 241		PLUG, DRAIN	0118-56-241	18	'81 & '82 MODELS	
				8	'83 MODEL	
56 242		PLUG, DRAIN	0118-56-242B	3		
56 290		HOOK (R), FRONT	FA01-53-170B	1		
		HOOK (L), FRONT	FA01-54-170B	1		
56 291		HOOK, REAR	8871-56-271E	1		
56 291A		HOOK, TIE DOWN	8871-56-281B	1	'81 & '82 MODELS	FB331 ..500001-622565
			< A >	1	'82 & '83 MODELS	FB331 ..622566-
56 410		INSULATOR, HEAT-FRONT	1480-56-430B	1		
56 431		INSULATOR, HEAT	1480-56-451B	1		
56 440		INSULATOR NO. 2, FRONT	1480-56-440C	1		
56 460		INSULATOR NO. 4, REAR	8871-56-420E	1		
56 480		INSULATOR NO. 1, REAR	1480-56-410A	1		
56 615		PLUG, DRAIN	0222-61-622	3		
56 639		COVER, SERVICE HOLE	0810-56-639	3		
56 970		PROTECTOR, FUEL TANK	8871-56-970D	1		
56 981A		INSULATOR	8871-56-981C	1		
56 991D		INSULATOR, TANK-FUEL	8871-56-990A	1		
66 971A		RUBBER, SEAL	0222-66-971	2		
69 885K		FASTENER, PROTECTOR BLACK	0866-69-885A 00	1		

5500A-1 DASHBOARD EQUIPMENT



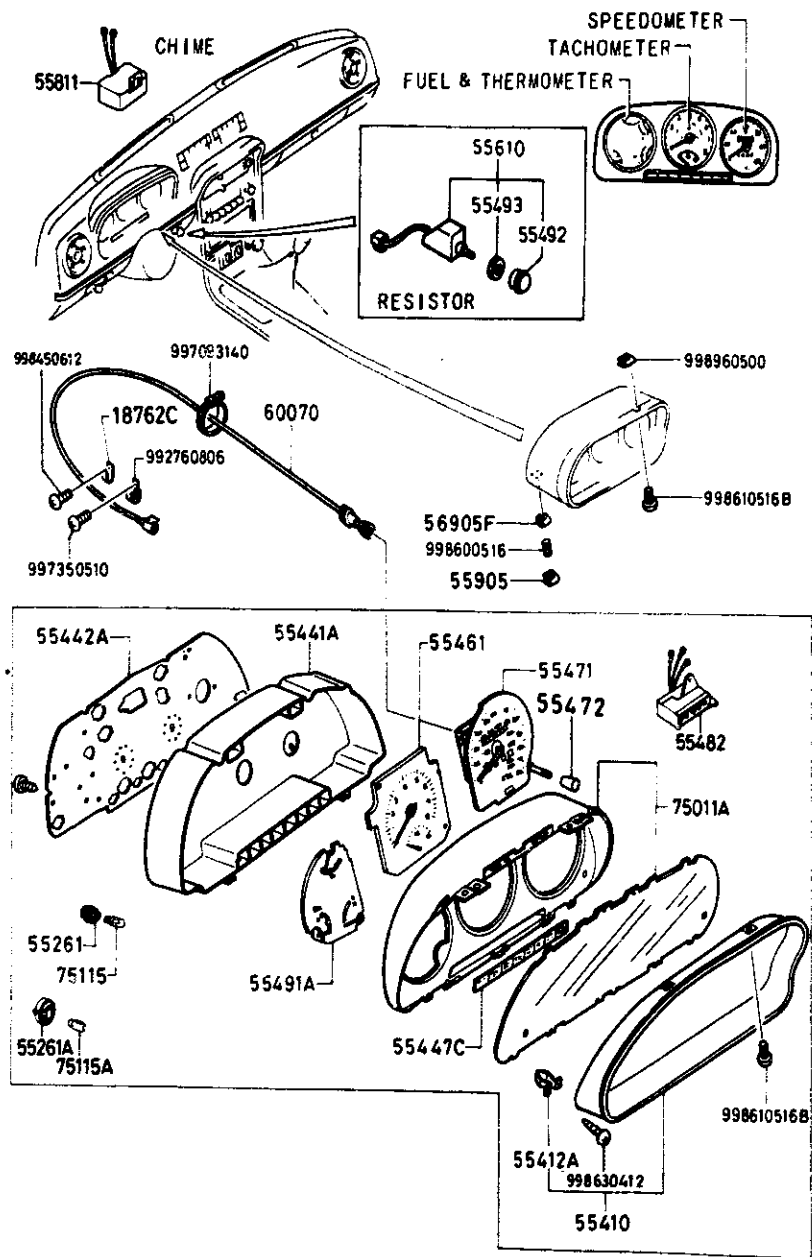
ITEM NO.	D-CODE	DESCRIPTION	PART NO.	QTY	MODEL/DESCRIPTION	REMARKS
55 213A		CASE, LAMP	8249-55-213	1		
55 214		PLATE, RETAINER	F023-55-214	1	'83 MODEL	
55 215C		LENS, ASH TRAY	FA01-55-221	1		
55 215D		PANEL, DECORATION-SWITCH	FA01-55-215A	1		
55 220		PANEL, CENTER	FA01-55-210	1	(USE W/O FULL CONTROL) '81 & '82 MODELS	FB331 ..500001-633360
		SILVER METALLIC	01			
			FA02-55-210	1	(USE W/ FULL CONTROL) '81 & '82 MODELS	
		SILVER METALLIC	01			
			FA30-55-210	1	(USE W/O FULL CONTROL) (ETR STEREO) '82 MODEL, GSL MODEL	FB331 ..633361-
		SILVER METALLIC/BLACK	01			
			FA42-55-210A	1	(USE W/O FULL CONTROL) '83 MODEL	
		SILVER METALLIC	01			
			FA43-55-210A	1	(USE W/ FULL CONTROL) '83 MODEL	
		SILVER METALLIC	01			
55 220J		BULB	0000-11-0194	1	(A12V 3.4W)	
55 225A		BOX, LAMP	FA01-55-216	1		
55 225B		COVER, HOLE	B001-55-225A	4	(W/O REAR WIPER, HATCHBACK OPENER & A.C.C.) S MODEL	
55 251		FIBER, OPTICAL	FA01-55-251	1		
55 270		PANEL, DECORATION	FA01-55-212	1	'81 & '82 MODELS	
			F023-55-212	1	'83 MODEL	
55 280		BULB & SOCKET	8871-55-280	2		
55 280J		BULB	0000-11-0074	2	(1.4W)	
55 301		PANEL, GLOVE SIDE	FA01-55-310	1		
		BLACK	00			
		RED	10			
		TAN	29			FB331 ..600001-700000
		BROWN	70			
		DARK TAN	81			FB331 ..700001-
55 311		PANEL, SWITCH	FA01-55-320A	1		
		BLACK	00			
		RED	10			
		TAN	29			FB331 ..600001-700000
		BROWN	70			

5500A-2 DASHBOARD EQUIPMENT



ITEM NO.	D-CODE	DESCRIPTION	PART NO.	QTY	MODEL/DESCRIPTION	REMARKS
55 311	(CONT'D)	DARK TAN	81			F8331 ..70001-
55 710		CLOCK, AUTO	FA01-55-710	1	(DIGITAL TYPE) GS & GSL MODELS	
			FA02-55-710	1	(ANALOG TYPE) S MODEL	
56 905C		NUT, SPRING	0820-56-905	2		
56 942B		PAD, CHOKE WIRE	G001-67-061	1		
60 050		WIRE, CHOKE	8871-60-050A	1		
60 052		GROMMET, CHOKE WIRE	0305-60-052A	1		
60 221		COVER (R), COLUMN	FA01-60-220	1		
60 223A		COVER, LAMP	FA01-60-241	1		
60 224		LENS, LAMP	FA01-60-242	1		
60 231		COVER (L), COLUMN	FA01-60-230	1		
60 261A		HOLDER, KEY CYLINDER	G001-60-261	1		
64 620		TRAY, ASH	FA01-64-610	1		
		BLACK	50			
64 640		TRAY, ASH-INNER	FA01-64-630	1		
		BLACK	00			

5540A-1 METERS

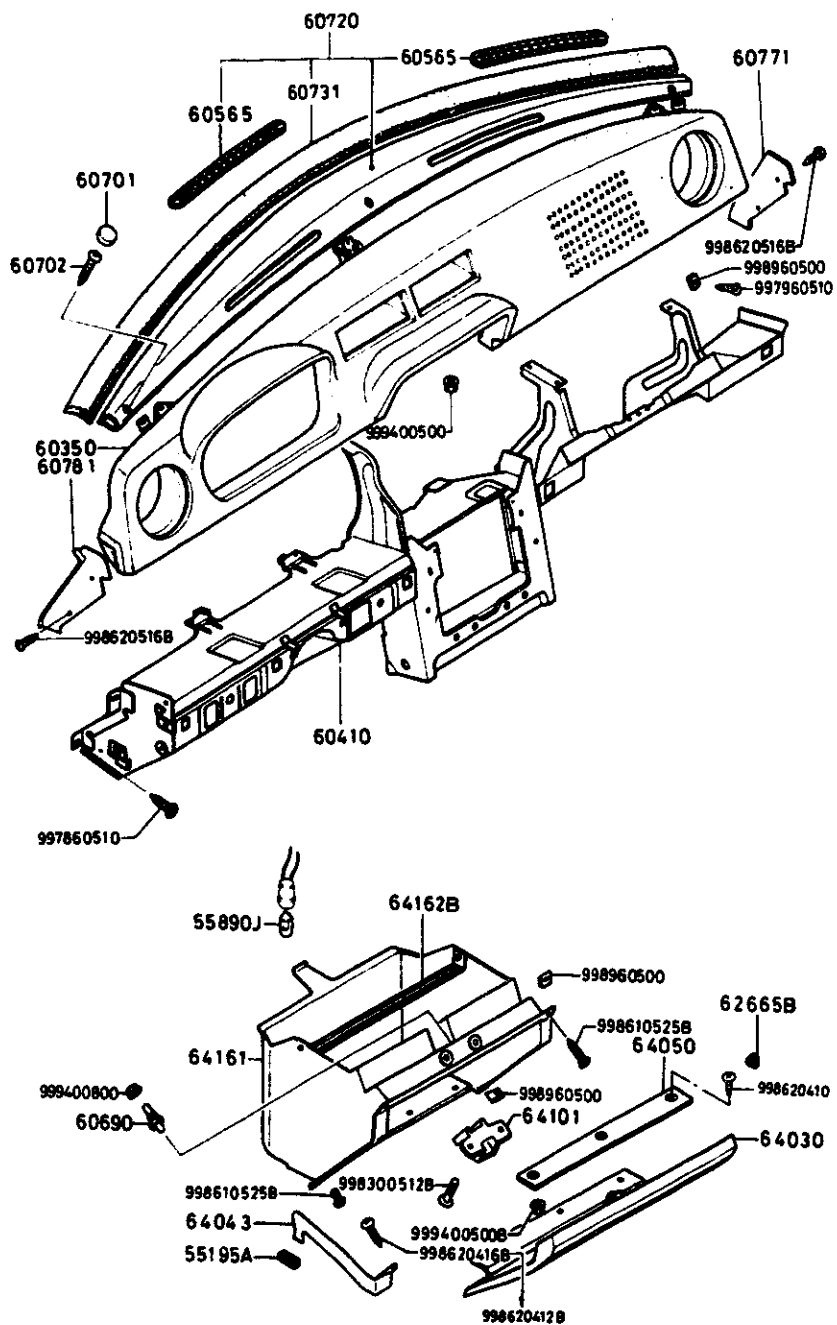


ITEM NO.	D-CODE	DESCRIPTION	PART NO.	QTY	MODEL/DESCRIPTION	REMARKS
	18 762C	CLIP	8173-18-762	1		
	55 261	SOCKET	1316-55-261	9		
	55 261A	SOCKET	3625-55-261	6		
	55 410	HOOD, METER	8871-55-420A	1		
	55 412A	SPRING, METER HOOD	8531-55-412	2		
	55 441A	CASE, METER	FA01-55-441	1	'81 & '82 MODELS	
			F023-55-441B	1	'83 MODEL	
	55 442A	PLATE, PRINT	FA01-55-442	1	'81 MODEL	
			FA33-55-442	1	'82 MODEL	
			FA44-55-442B	1	'83 MODEL	
	55 447C	LENS, WARNING	FA01-55-444	1		
	55 461	TACHOMETER	FA01-55-461	1		
	55 471	SPEEDOMETER	FA01-55-471	1	(85MPH & 140KMH) '81 MODEL	
			FA33-55-471	1	'82 MODEL	
			FA44-55-471A	1	(USE W/ FULL CONTROL) '83 MODEL	
	55 472	KNOB, TRIPMETER	1907-75-102A	1		
	55 482	REGULATOR	FA01-55-482	1		
	55 491A	METER, FUEL & TEMPERATURE	FA27-55-481	1		
	55 492	KNOB, RESISTOR	FA01-55-492	1		
	55 493	NUT, RING	FA01-55-493	1		
	55 610	RESISTOR	FA01-55-490	1		
	55 811	CHIME	FA01-55-811A	1		
	55 905	NUT, SPRING	8871-55-425	2		
	56 905F	NUT, SPRING	0820-56-905	2		
	60 070	CABLE, SPEEDOMETER	8871-60-070B	1		
	75 011A	PLATE, WINDOW	FA01-55-446	1		
	75 115	BULB	0000-11-0194	9	(A12V 3.4W)	
	75 115A	BULB	0000-11-0074	8	(1.4W)	

SECTION INDEX -- BODY

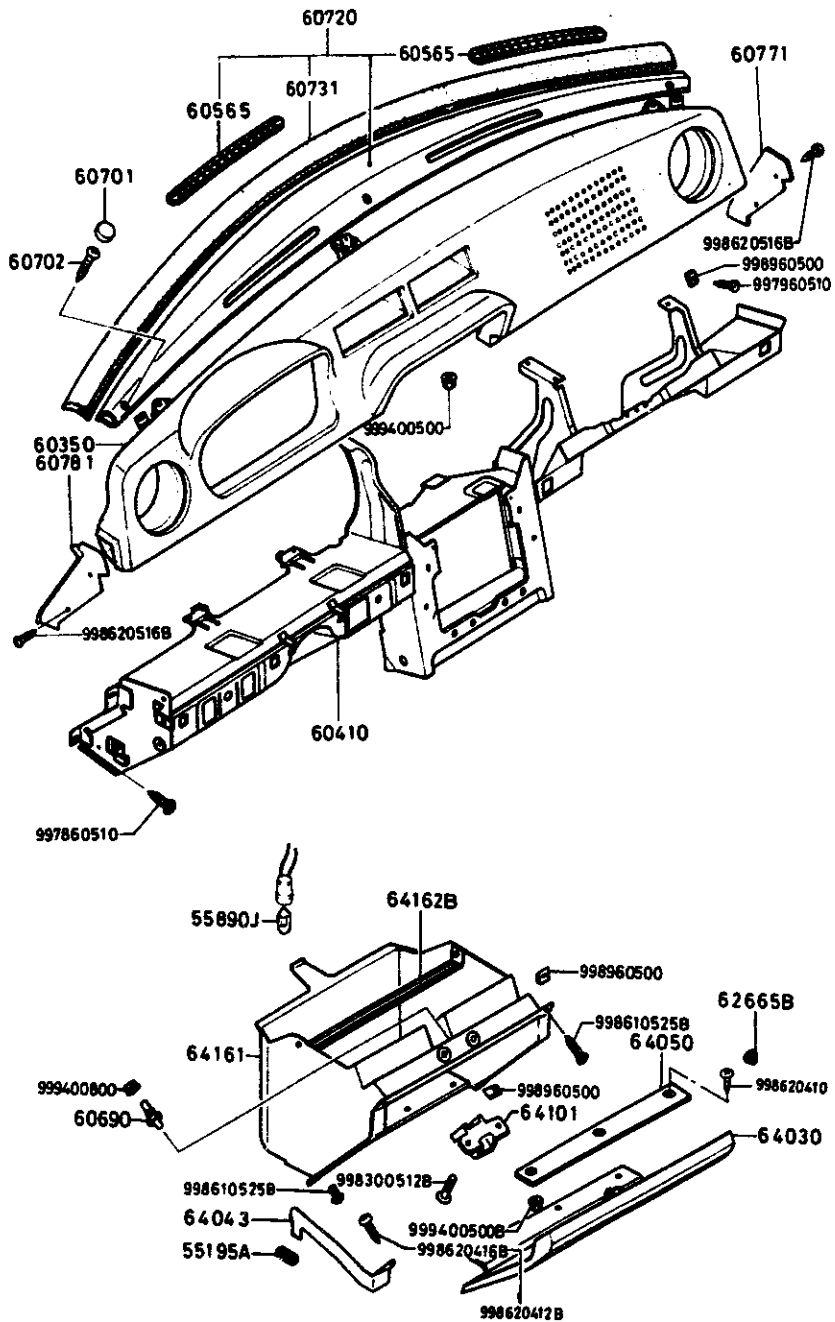
STARTING LOCATION	SECT. NO.	SECTION NAME	STARTING LOCATION	SECT. NO.	SECTION NAME	STARTING LOCATION	SECT. NO.	SECTION NAME
2 - C 3	0900A	KEY SETS	2 - C 8	6132AC	CONDENSER PACKAGE ('83 MODEL)	2 - H 11	6870A	SERVICE TOOLS
2 - D 3	5000A	FRONT BUMPER	2 - E 8	6142A	COMPRESSOR MOUNTING KIT, COMPRESSOR/CLUTCH ASSEMBLY & REPAIR PARTS ('81 MODEL)	2 - I 11	6900A	VISOR, ASSIST HANDLE & MIRRORS
2 - E 3	5005A	RADIATOR GRILLE	2 - F 8	6142AB	COMPRESSOR MOUNTING KIT, COMPRESSOR/CLUTCH ASSEMBLY & REPAIR PARTS ('82 MODEL)	2 - I 11	6930A	CAUTION PLATES
2 - F 3	5010A	REAR BUMPER	2 - G 8	6142AC	COMPRESSOR MOUNTING KIT, COMPRESSOR/CLUTCH ASSEMBLY & REPAIR PARTS ('83 MODEL)			
2 - G 3	5030A	WINDOW MOULDINGS	2 - H 8	6152A	EVAPORATOR PACKAGE ('81 MODEL)			
2 - H 3	5040A	BODY MOULDINGS	2 - I 8	6152AB	EVAPORATOR PACKAGE ('82 MODEL)			
2 - I 3	5060A	SIDE PROTECTORS	2 - J 8	6152AC	EVAPORATOR PACKAGE ('83 MODEL)			
2 - J 3	5100A	HEAD LAMPS	2 - K 8	6230A	BACK DOOR MECHANISM			
2 - K 3	5103A	HEAD LAMP RETRACTORS	2 - L 8	6300A	WINDOW GLASSES			
2 - L 3	5105A	FRONT COMBINATION & SIDE TURN LAMPS	2 - M 8	6330A	SUNROOF (GSI)			
2 - M 3	5110A	REAR COMBINATION LAMPS	2 - N 8	6600A	SWITCH & RELAY (ENGINE & TRANSMISSION)			
2 - N 3	5120A	LICENSE & REAR SIDE TURN LAMPS	2 - C 9	6610A	DASHBOARD SWITCHES (MANUAL OPERATING)			
2 - C 4	5125A	INTERIOR LAMPS (GS & GSI)	2 - D 9	6611A	COMBINATION SWITCH			
2 - D 4	5170A	ORNAMENTS	2 - E 9	6615A	POWER WINDOW SWITCH			
2 - E 4	5180A	COWL & EXTRACTOR GRILLES	2 - F 9	6620A	DOOR, PARKING LAMP & KICK DOWN SWITCH			
2 - F 4	5230A	HOOD	2 - G 9	6630A	RELAY (BODY)			
2 - G 4	5310A	BODY PANELS (FRONT)	2 - H 9	6635A	HORN			
2 - I 4	5340A	BODY PANELS (SIDE & ROOF)	2 - I 9	6640A	AUTO CRUISE CONTROL			
2 - J 4	5360A	BODY PANELS (FLOOR)	2 - J 9	6680A	AUDIO SYSTEM			
2 - K 4	5370A	FLOOR ATTACHMENTS	2 - M 9	6700A	WIRE HARNESS (FRONT & REAR)			
2 - L 4	5500A	DASHBOARD EQUIPMENT	2 - N 9	6701A	WIRE HARNESS (ENGINE & TRANSMISSION)			
2 - N 4	5540A	METERS	2 - C 10	6702A	WIRE HARNESS (DASHBOARD)			
2 - C 5	5560A	DASHBOARD & RELATED	2 - D 10	6703A	WIRE HARNESS (DOOR, FLOOR & CEILING)			
2 - E 5	5570A	CONSOLE	2 - E 10	6704A	WIRE HARNESS CLAMPS			
2 - G 5	5580A	VENTILATOR	2 - F 10	6720A	WINDSHIELD WASHER			
2 - H 5	5700A	SEATS ('81 & '82) MODELS	2 - G 10	6730A	WINDSHIELD WIPER			
2 - C 6	5700AA	SEATS ('83 MODEL)	2 - H 10	6740A	WIPER MOTOR (COMPONENTS ONLY)			
2 - H 6	5790A	SEAT BELTS	2 - I 10	6750A	REAR WINDOW WIPER & WASHER			
2 - J 6	5800A	FRONT DOOR	2 - J 10	6760A	REAR WINDOW WIPER MOTOR (COMPONENTS ONLY)			
2 - K 6	5830A	FRONT DOOR MECHANISM	2 - K 10	6800A	CEILING TRIM			
2 - C 7	5840A	FRONT DOOR TRIM & RELATED PARTS	2 - C 11	6840A	TRIM & SCUFF PLATE			
2 - F 7	610CA	HEATER	2 - F 11	6860A	FLOOR MATS & PADS			
2 - G 7	6110A	HEATER UNIT						
2 - H 7	6115A	HEATER CONTROLS						
2 - I 7	6120A	HEATER BLOWER						
2 - J 7	6132A	CONDENSER PACKAGE ('81 MODEL)						
2 - L 7	6132AB	CONDENSER PACKAGE ('82 MODEL)						

5560A-1 DASHBOARD & RELATED



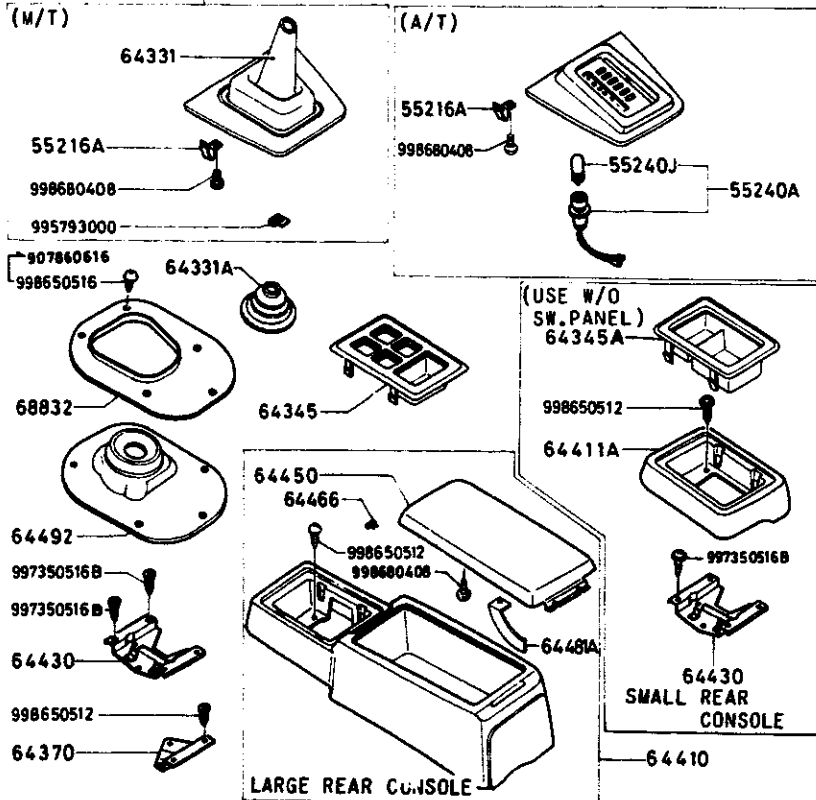
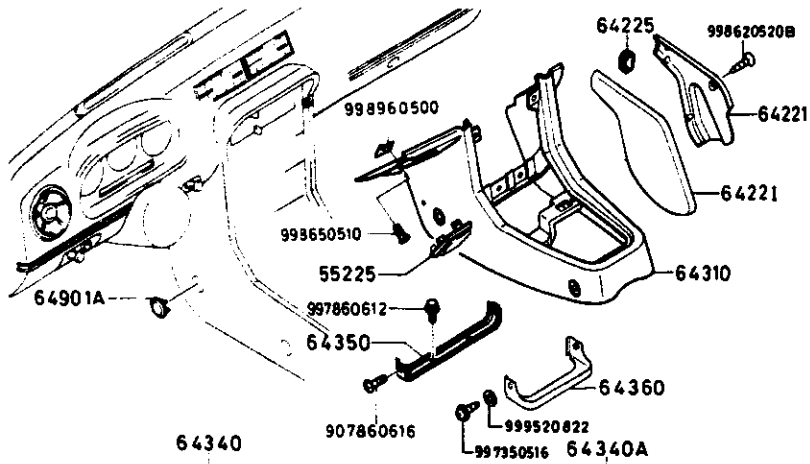
ITEM NO.	D-CODE	DESCRIPTION	PART NO.	QTY	MODEL/DESCRIPTION	REMARKS
55 195A		RUBBER, STOPPER	0275-55-195A	1		
55 890J		BULB	0000-11-0194	1	(A12V 3.4W)	
60 350		PAD, CRUSH	FA01-60-350A	1	'81 MODEL	FB331 ..500001-529438
		BLACK	00			
		RED	10			
		BROWN	70			
			FA01-60-350B	1		FB331 ..511442-529438 FB331 ..529439-
		BLACK	00			
		RED	10			
		TAN	29			FB331 ..600001-700000
		BROWN	70			
		DARK TAN	81			FB331 ..700001-
60 410		FRAME, INSTRUMENT PANEL	FA01-60-400F	1		
60 565		GRILLE	8341-60-713	2		
		BLACK	01			
		RED	10			
		BROWN	28			FB331 ..600001-700000
		TAN	29			
		DARK TAN	81			FB331 ..700001-
60 690		SWITCH, GLOVE TRAY	0305-60-690	1	(FOR GLOVE BOX LAMP)	
60 701		CAP, GARNISH	8871-60-701	3		
		BLACK	00			
		RED	11			
		BROWN	28			
		TAN	71			FB331 ..600001-700000
		DARK TAN	75			FB331 ..700001-
60 702		SCREW, GARNISH	8871-60-702	3		
60 720		GARNISH, UPPER	8341-60-710A	1		
		BLACK	00			
		BLACK	01			
		RED	10			
		BROWN	28			FB331 ..600001-700000
		TAN	29			
		DARK TAN	81			FB331 ..700001-
60 731		RUBBER, SEAMING	8562-60-712	1		
60 771		GARNISH (R)	FA01-55-330A	1		
		BLACK	00			
		RED	10			
		TAN	29			FB331 ..600001-700000

5560A-2 DASHBOARD & RELATED



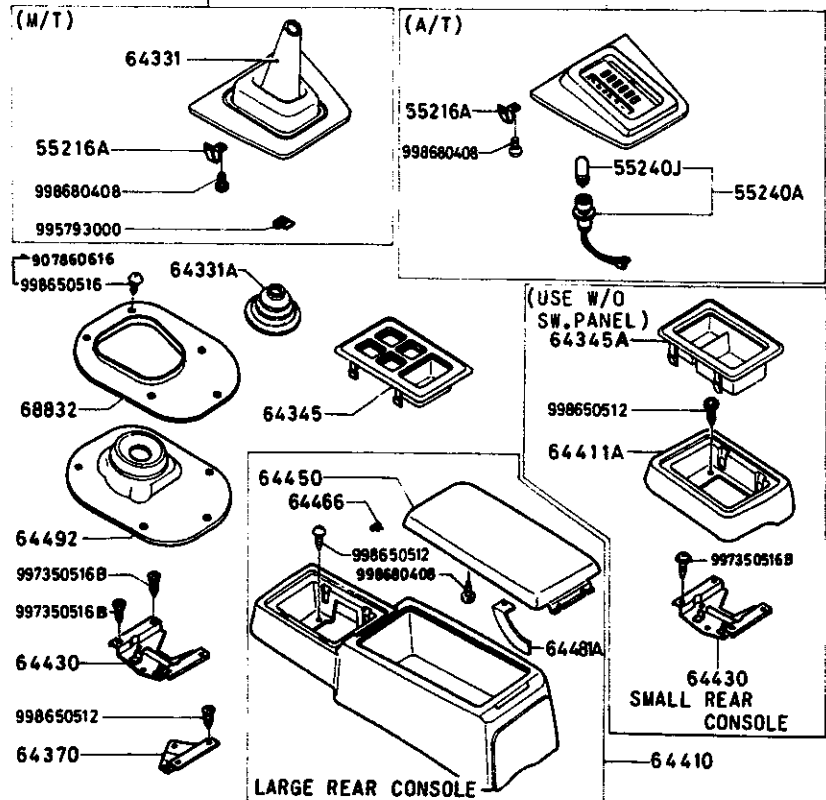
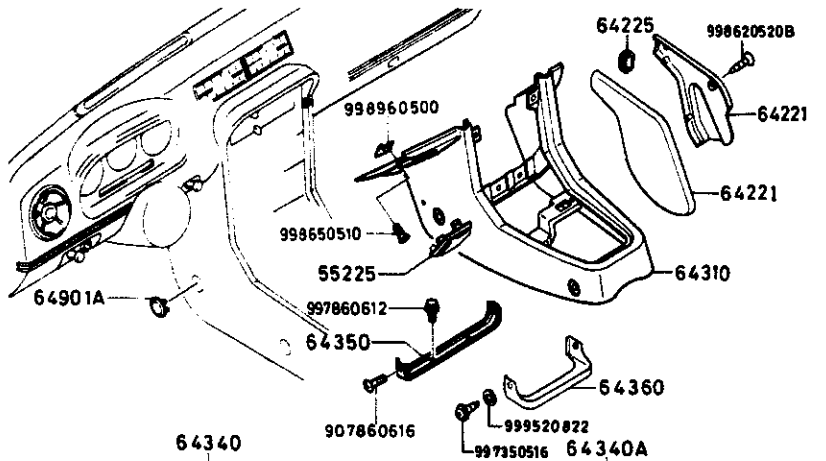
ITEM NO.	D-CODE	DESCRIPTION	PART NO.	QTY	MODEL/DESCRIPTION	REMARKS
60 771	(CONT'D)	BROWN	70			
		DARK TAN	81			FB331 ..700001-
60 781		GARNISH (L)	FA01-55-340A	1		
		BLACK	00			
		RED	10			
		TAN	29			FB331 ..600001-700000
		BROWN	70			
		DARK TAN	81			FB331 ..700001-
62 665B		RUBBER, CUSHION	0633-62-879	2	'81 & '82 MODELS	FB331 ..500001-608442
			0259-58-612	2	'82 & '83 MODELS	FB331 ..608443-
64 030		LID, GLOVE POCKET	FA01-64-030	1		
		BLACK	00			
		RED	10			
		TAN	29			FB331 ..600001-700000
		BROWN	70			
		DARK TAN	81			FB331 ..700001-
64 043		STOPPER	8871-64-043	1		
64 050		SET PLATE, GLOVE LID	8871-64-050A	1		
64 101		STRIKER	8871-64-101	1		
64 161		TRAY, GLOVE	8871-64-161B	1		
64 162B		STAY, GLOVE TRAY	8871-64-162A	1		

5570A-1 CONSOLE



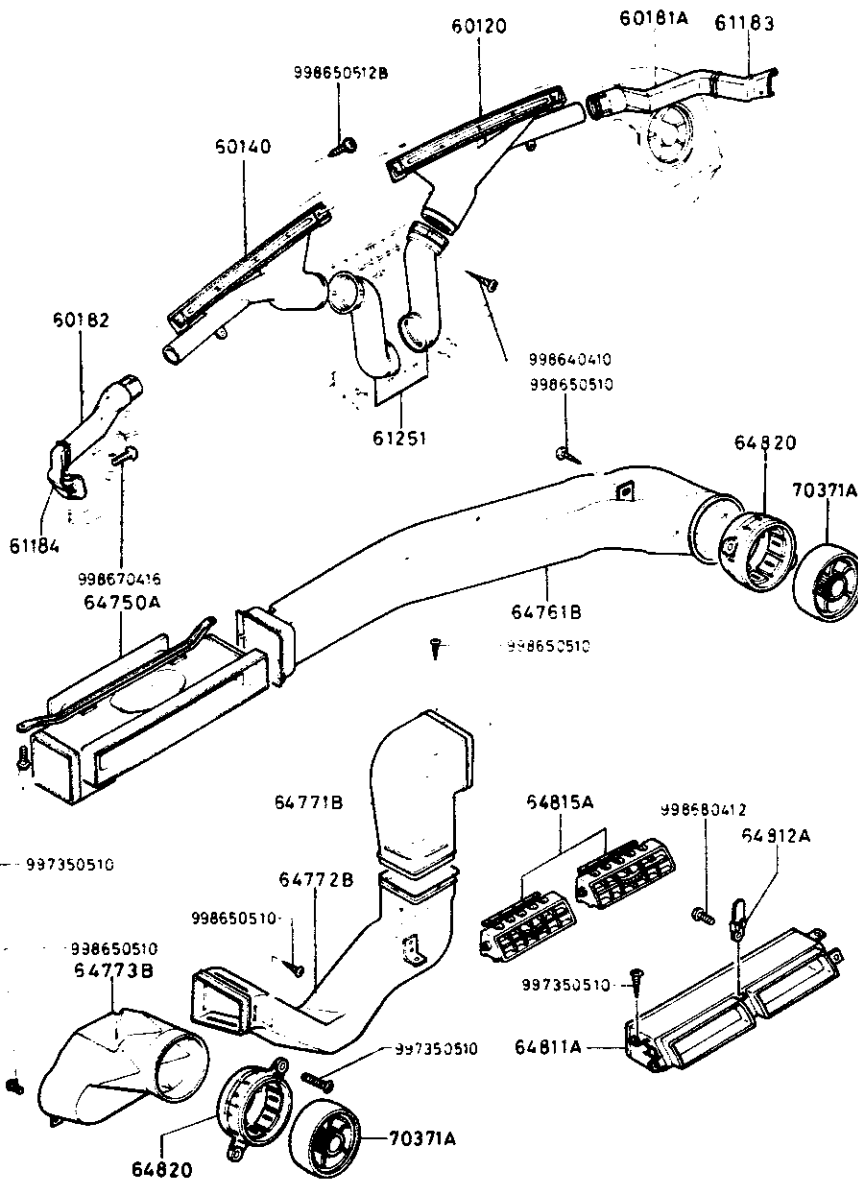
ITEM NO.	D-CODE	DESCRIPTION	PART NO.	QTY	MODEL/DESCRIPTION	REMARKS
55 216A		SPRING, BOOT PANEL	8871-55-216	2		
55 225		COVER, SWITCH HOLE	FA01-55-225	1	(W/O REM. CONTROL) S MODEL	
55 240A		BULB & SOCKET	0305-66-580A	1	A/T	
			< A > 1840-55-240	1		
55 240J		BULB	0000-11-0194	1	(A12V 3.4W) A/T	
64 221		COVER (R), BRAKE	FA01-64-221	1		
		BLACK	00			
		RED	10			
		TAN	29			FB8331 ..600001-700000
		BROWN	70			
		DARK TAN	81			FB8331 ..700001-
		COVER (L), BRAKE	FA01-64-222	1		
		BLACK	00			
		RED	10			
		TAN	29			FB8331 ..600001-700000
		BROWN	70			
		DARK TAN	81			FB8331 ..700001-
64 225		RING, BRAKE COVER	FA01-64-225	1		
64 310		CONSOLE, FRONT	FA01-64-320B	1		
		BLACK	00			
		RED	10			
		TAN	29			
		BROWN	70			
		DARK TAN	81			
64 331		BOOT, CHANGE	FA01-64-351A	1	M/T	
		BLACK	01	1		
64 331A		BOOT	FA01-64-494	1	M/T	
64 340		PLATE, UPPER	FA01-64-350A	1	M/T	
		SILVER METALLIC/BLACK	01			
64 340A		INDICATOR	FA03-64-350	1	A/T	
		SILVER METALLIC	01			
64 345		PANEL, SWITCH	FA01-64-451	1		
		SILVER METALLIC	01			
64 345A		BOX, COIN	FA02-64-451	1	(USE W/O SWITCH PANEL)	
		SILVER METALLIC	01			
64 350		BRACKET, FRONT	8871-64-370A	1		
64 360		BRACKET, CENTER	FA01-64-381	1		
64 370		BRACKET, REAR	8871-64-415	1	(USE W/ LARGE RR. CONSOLE)	

5570A-2 CONSOLE



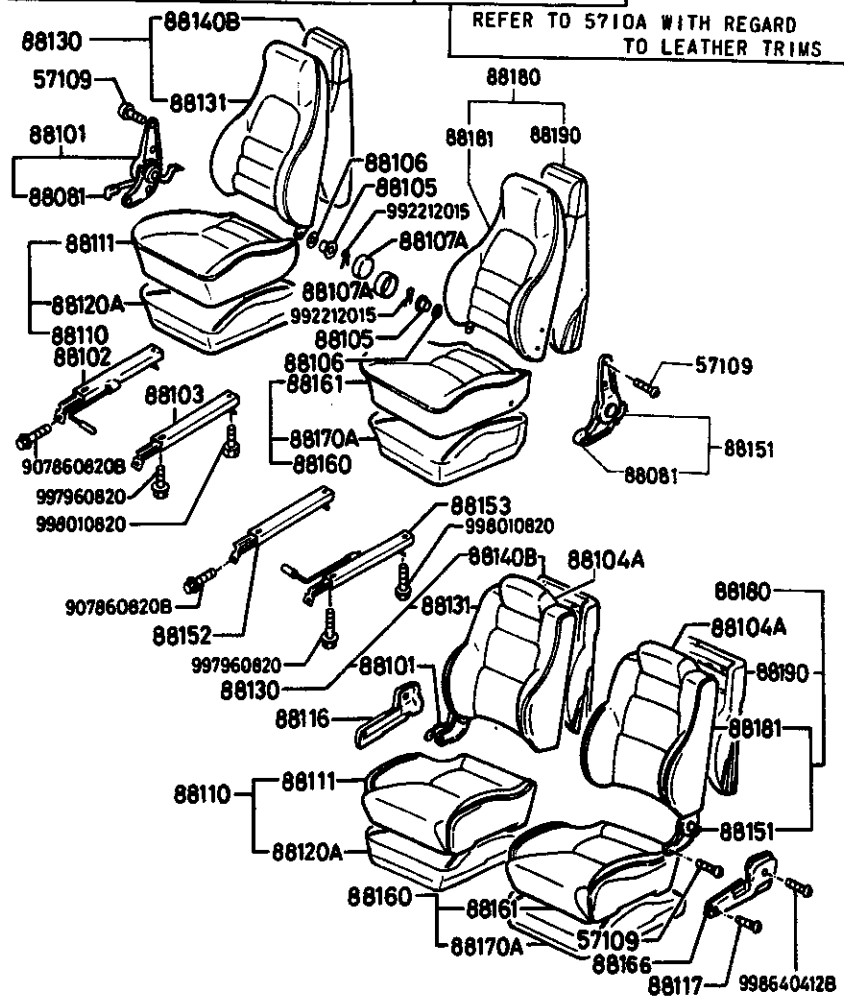
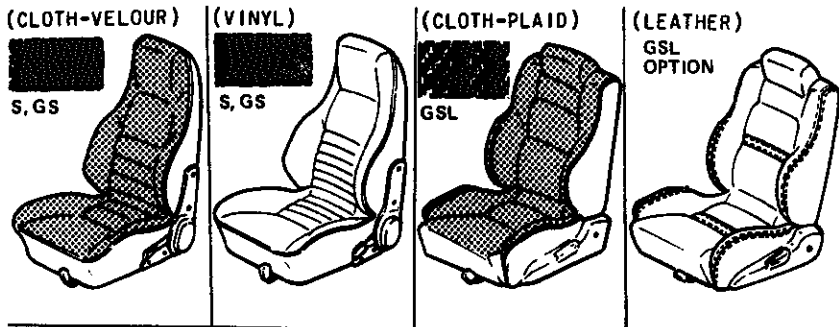
ITEM NO.	D-CODE	DESCRIPTION	PART NO.	QTY	MODEL/DESCRIPTION	REMARKS
64 410		CONSOLE, REAR	FA01-64-410C	1		
		BLACK	00			
		RED	10			
		TAN	29			
		BROWN	70			
64 411A		CASE, SWITCH PANEL	FA02-64-411	1	(SMALL TYPE)	
		BLACK	00			
		RED	10			FB331 ..600001-700000
		TAN	29			
		BROWN	70			FB331 ..700001-
64 430		BRACKET, CENTER-REAR	8871-64-430A	1	(USE W/ SMALL RR. CONSOLE) S MODEL	
			FA01-64-430	1	(USE W/ LARGE RR. CONSOLE) GS & GSL MODELS	
64 450		LID, CONSOLE	FA01-64-420B	1	(USE W/ LARGE TYPE CONSOLE)	
		BLACK	00			
		RED	10			
		TAN	29			
		BROWN	70			
64 466		SPRING, HINGE	FA01-64-413A	1		
		STOPPER, CONSOLE LID	8871-64-412	1		
64 492		INSULATOR	FA01-64-492	1	M/T	
64 901A		CAP, FRONT CONSOLE	8871-64-901	4		
		BLACK	00			
		RED	11			
		BROWN	70			FB331 ..600001-700000
		TAN	71			FB331 ..700001-
	DARK TAN	75				
68 832		SEAT, BOOT	FA01-64-491	1	M/T	

5580A-1 VENTILATOR



ITEM NO.	D-CODE	DESCRIPTION	PART NO.	QTY	MODEL/DESCRIPTION	REMARKS
60 120		NOZZLE (R), DEFROSTER	8871-60-121	1		
60 140		NOZZLE (L), DEFROSTER	8871-60-141	1		
60 181A		DUCT (R), SIDE DEMISTER	8871-61-181	1		
60 182		DUCT (L), SIDE DEMISTER	8871-61-182	1		
61 183		DUCT (R), SIDE DEMISTER	8871-61-183A	1		
61 184		DUCT (L), SIDE DEMISTER	8871-61-184A	1		
61 251		HOSE, DEFROSTER	8871-61-251A	2		
64 750A		DUCT, CENTER	8871-64-750A	1		
64 761B		DUCT (R)	8871-64-761	1		
64 771B		DUCT NO. 1 (L)	8871-64-771A	1		
64 772B		DUCT NO. 2 (L)	8871-64-780B	1		
64 773B		DUCT NO. 3 (L)	8871-64-773	1		
64 811A		GUIDE, CENTER LOUVER	8871-64-811A	1		
64 812A		HOLDER, CENTER LOUVER	8871-64-812	1		
64 815A		LOUVER, CENTER	8570-64-815B	2		
64 820		GUIDE, LOUVER	8871-64-820	2		
70 371A		LOUVER, VENTILATOR	8341-64-825	2		

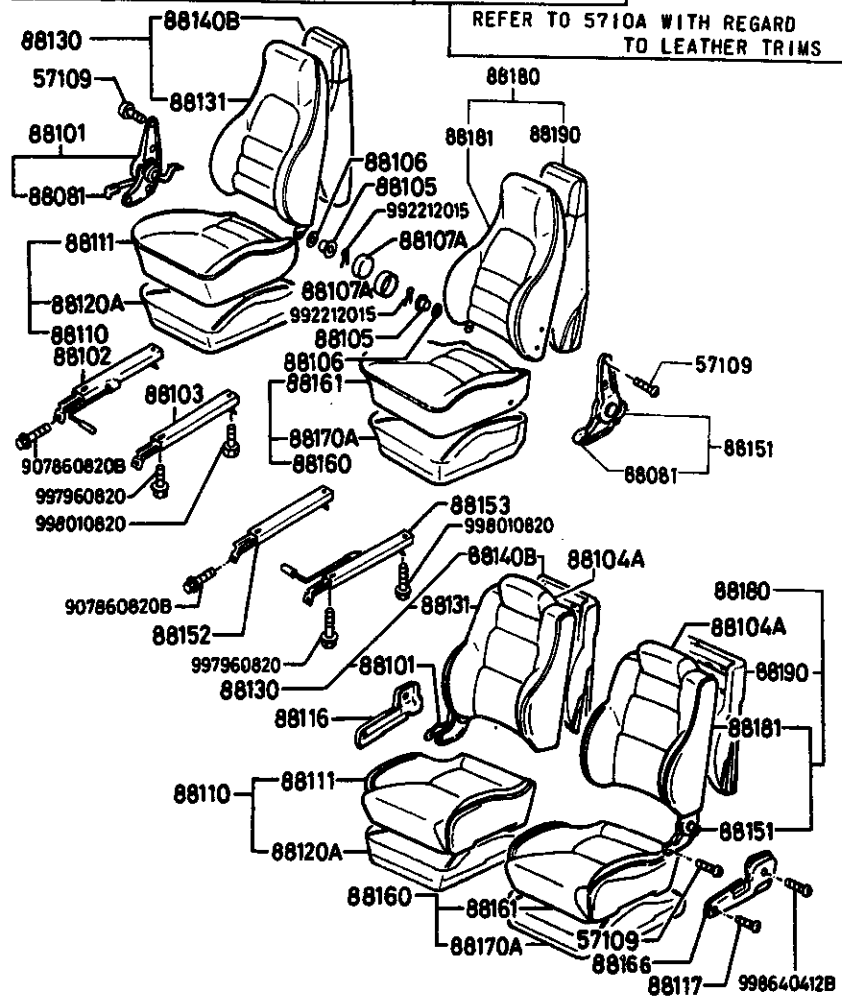
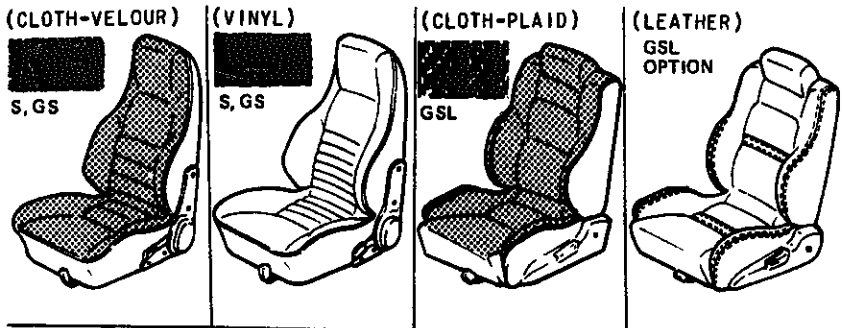
5700A-1 SEATS ('81 & '82) MODELS



REFER TO 5710A WITH REGARD TO LEATHER TRIMS

ITEM NO.	D-CODE	DESCRIPTION	PART NO.	QTY	MODEL/DESCRIPTION	REMARKS
57 109		SCREW, KNUCKLE	2155-57-109	8		
88 081		KNOB, KNUCKLE	0305-57-081	2	(USE W/O KNUCKLE COVER)	
		BLACK	00			
88 101		KNUCKLE (R), RECLINING	8183-88-101	1	(USE W/ KNUCKLE COVER)	
			8531-88-101	1	(USE W/O KNUCKLE COVER)	
88 102		ADJUSTER NO. 1	8183-88-102	1		
88 103		ADJUSTER NO. 2	F005-88-103	1		
88 104A		RESTRAINT, HEAD	FA09-88-104	2	(FOR CLOTH-PLAID) GSL MODEL	
		BLACK	00			
		RED	10			
		BROWN	70			
88 105		BUSHING	8531-88-106	2		
88 106		WASHER	8531-88-105	2		
88 107A		COVER, HINGE	8531-88-107	2		
88 110		CUSHION (R), FRONT SEAT	FA07-88-110	1	(CLOTH-VELOUR) S & GS MODELS	
		BLACK	00			
		RED	10			
		BROWN	70			
			FA08-88-110	1	(VINYL) S & GS MODELS	
		BLACK	00			
		BROWN	70			
			FA09-88-110	1	(CLOTH-PLAID) GSL MODEL	
		BLACK	00			
		RED	10			
		BROWN	70			
88 111		TRIM (R), SEAT CUSHION	FA07-88-111	1	(CLOTH-VELOUR) S & GS MODELS	
		BLACK	00			
		RED	10			
		BROWN	70			
			FA08-88-111	1	(VINYL) S & GS MODELS	
		BLACK	00			
		BROWN	70			
			FA09-88-111	1	(CLOTH-PLAID) GSL MODEL	
		BLACK	00			

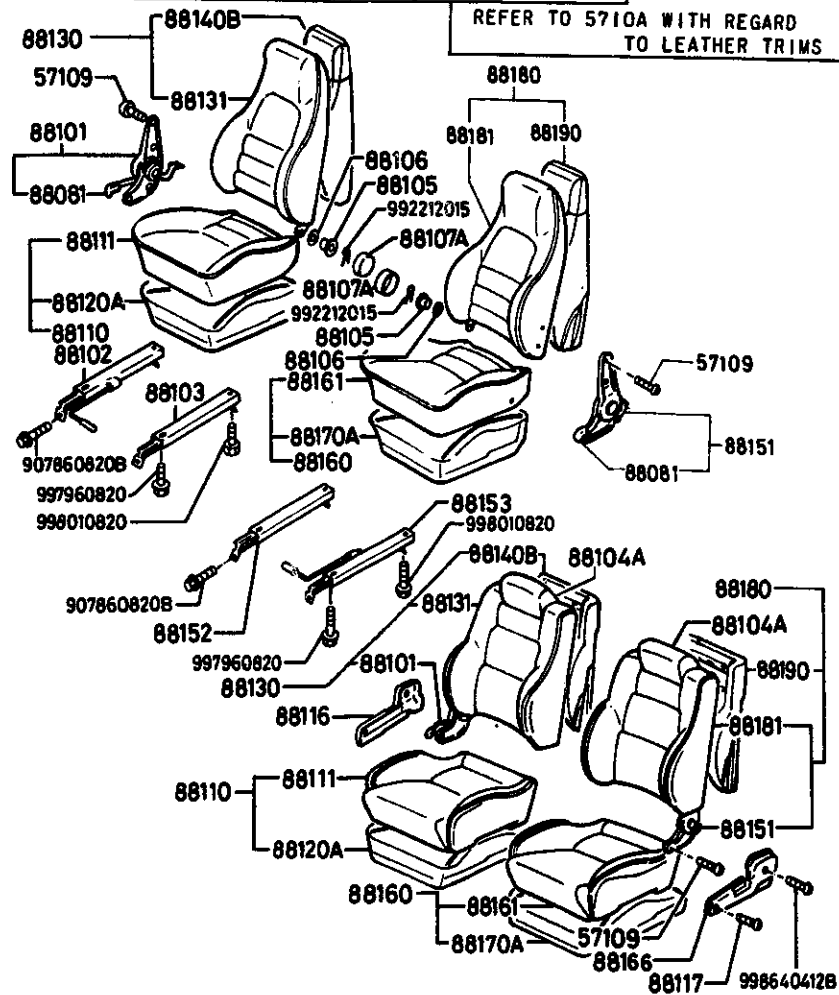
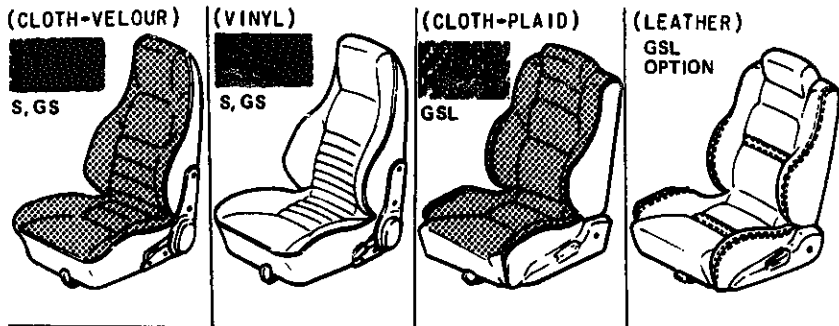
5700A-2 SEATS ('81 & '82) MODELS



REFER TO 5710A WITH REGARD TO LEATHER TRIMS

ITEM NO.	D-CODE	DESCRIPTION	PART NO.	QTY	MODEL/DESCRIPTION	REMARKS
88 111	(CONT'D)	RED	10			
		BROWN	70			
88 116		COVER (R), KNUCKLE	F007-88-120	1	(FOR NON HIGH BACK TYPE) '81 MODEL	
		BLACK	00			
		RED	10			
		BROWN	70			
			8183-88-120	1	(FOR NON HIGH BACK TYPE) '82 MODEL	
		BLACK	00			
		RED	10			
		BROWN	70			
88 117		SCREW, KNUCKLE	1243-88-117	2	(USE W/ KNUCKLE COVER)	
88 120A		FRAME & PAD (R), CUSHION	FA02-88-120	1	(FOR NON HIGH BACK TYPE)	
			8871-88-120A	1	(FOR HIGH BACK TYPE)	
88 130		BACK (R), FRONT SEAT	FA07-88-130	1	(CLOTH-VELOUR) S & GS MODELS	
		BLACK	00			
		RED	10			
		BROWN	70			
			FA08-88-130	1	(VINYL) S & GS MODELS	
		BLACK	00			
		BROWN	70			
			FA09-88-130	1	(CLOTH-PLAID) GSL MODEL	
		BLACK	00			
		RED	10			
		BROWN	70			
88 131		TRIM (R), SEAT BACK	FA07-88-131	1	(CLOTH-VELOUR) S & GS MODELS	
		BLACK	00			
		RED	10			
		BROWN	70			
			FA08-88-131	1	(VINYL) S & GS MODELS	
		BLACK	00			
		BROWN	70			
			FA09-88-131	1	(CLOTH-PLAID) GSL MODEL	

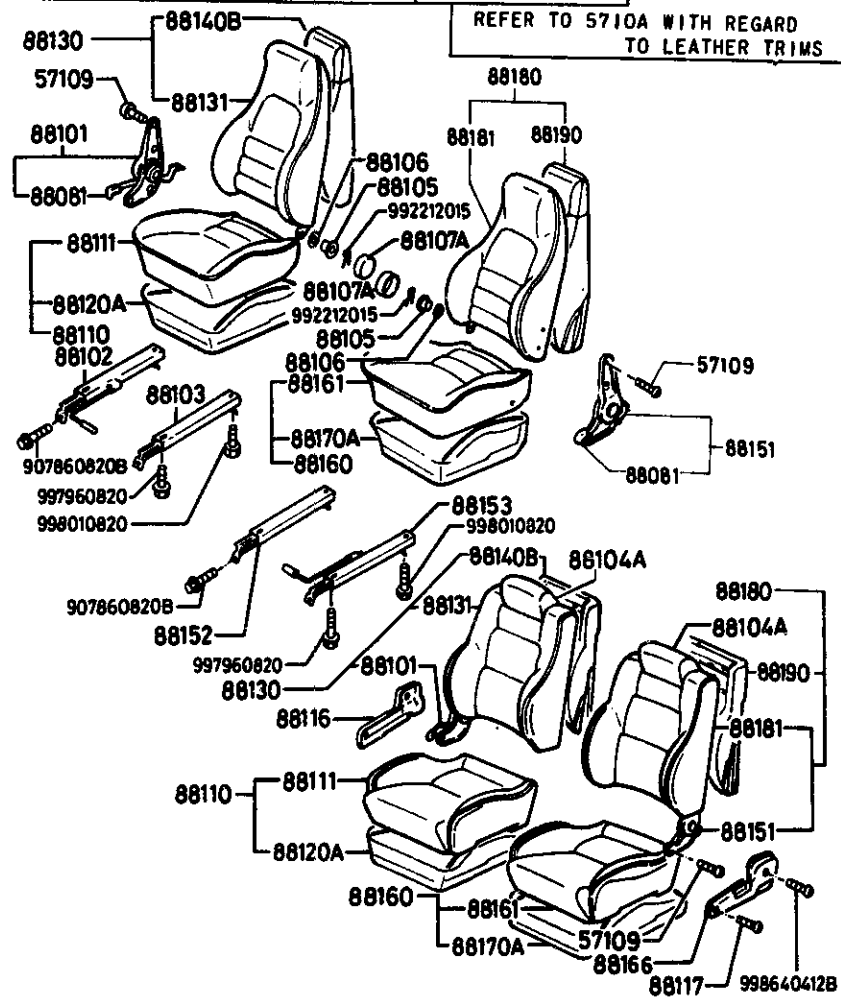
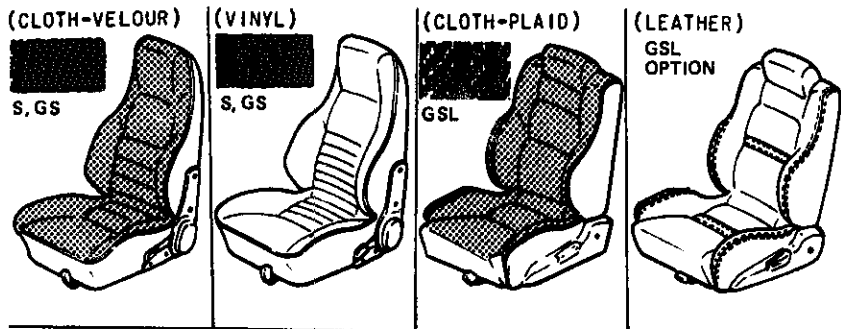
5700A-3 SEATS ('81 & '82) MODELS



REFER TO 5710A WITH REGARD TO LEATHER TRIMS

ITEM NO.	D-CODE	DESCRIPTION	PART NO.	QTY	MODEL/DESCRIPTION	REMARKS
88 131 (CONT'D)		BLACK	00			
		RED	10			
		BROWN	70			
88 140B		FRAME & PAD (R), BACK	FA02-88-140	1	(FOR NON HIGH BACK TYPE)	
			8871-88-140	1	(FOR HIGH BACK TYPE)	
88 151		KNUCKLE (L), RECLINING	FA09-88-151	1	(USE W/ KNUCKLE COVER)	
			8532-88-151	1	(USE W/O KNUCKLE COVER)	
88 152		ADJUSTER NO. 3	F005-88-152	1		
88 153		ADJUSTER NO. 4	FA07-88-153	1		
88 160		CUSHION (L), FRONT SEAT	FA07-88-160	1	(CLOTH-VELOUR) S & GS MODELS	
		BLACK	00			
		RED	10			
		BROWN	70			
88 161		TRIM (L), SEAT CUSHION	FA08-88-160	1	(VINYL) S & GS MODELS	
		BLACK	00			
		BROWN	70			
88 161		TRIM (L), SEAT CUSHION	FA09-88-160	1	(CLOTH-PLAID) GSL MODEL	
		BLACK	00			
		BROWN	70			
88 161		TRIM (L), SEAT CUSHION	FA07-88-161	1	(CLOTH-VELOUR) S & GS MODELS	
		BLACK	00			
		BROWN	70			
88 161		TRIM (L), SEAT CUSHION	FA08-88-161	1	(VINYL) S & GS MODELS	
		BLACK	00			
		BROWN	70			
88 161		TRIM (L), SEAT CUSHION	FA09-88-161	1	(CLOTH-PLAID) GSL MODEL	
		BLACK	00			
		BROWN	70			
88 166		COVER (L), KNUCKLE	F007-88-170	1	(FOR NON HIGH BACK TYPE) '81 MODEL	
		BLACK	00			

5700A-4 SEATS ('81 & '82) MODELS



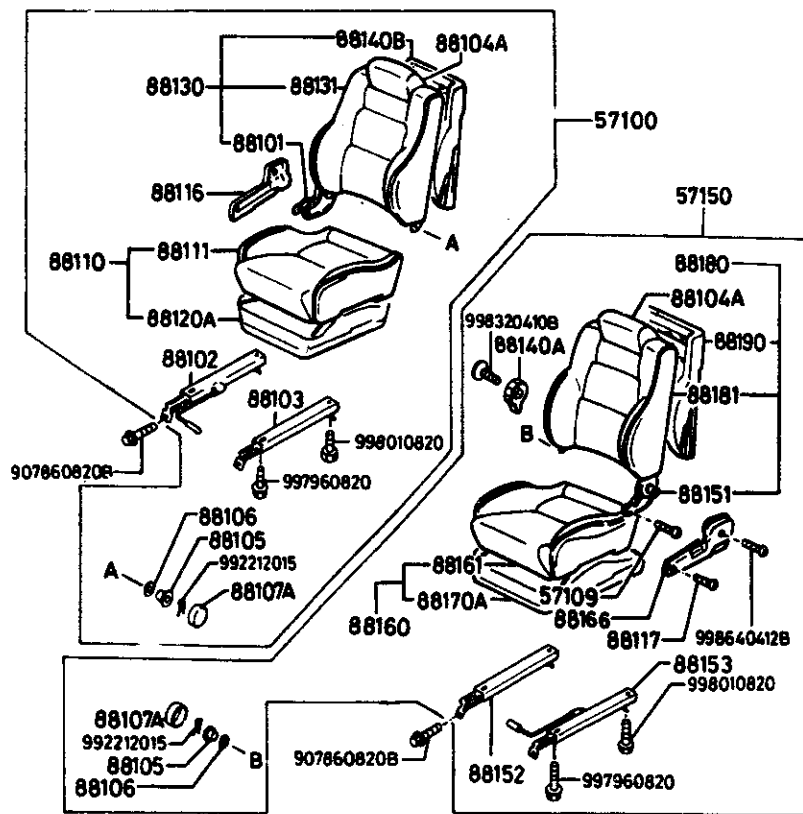
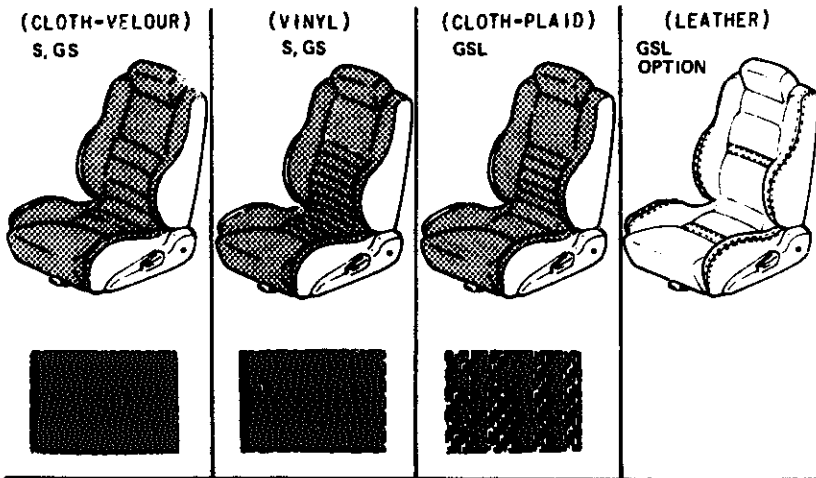
REFER TO 5710A WITH REGARD TO LEATHER TRIMS

ITEM NO.	D-CODE	DESCRIPTION	PART NO.	QTY	MODEL/DESCRIPTION	REMARKS
88 166 (CONTD)		RED	10			
		BROWN	70			
		BLACK	00	1	(FOR NON HIGH BACK TYPE)	
		RED	10			
		BROWN	70			
88 170A		FRAME & PAD (L), CUSHION	FA02-88-170	1	(FOR NON HIGH BACK TYPE)	
			8871-88-170	1	(FOR HIGH BACK TYPE)	
88 180		BACK (L), FRONT SEAT	FA07-88-180	1	(CLOTH-VELOUR)	S & GS MODELS
		BLACK	00			
		RED	10			
		BROWN	70			
			FA08-88-180	1	(VINYL)	S & GS MODELS
88 181		TRIM (L), SEAT BACK	FA07-88-131	1	(CLOTH-VELOUR)	S & GS MODELS
		BLACK	00			
		RED	10			
		BROWN	70			
			FA08-88-131	1	(VINYL)	S & GS MODELS
88 190		FRAME & PAD (L), BACK	FA02-88-190	1	(CLOTH-PLAID)	GSL MODEL
		BLACK	00			
		RED	10			
		BROWN	70			
			8871-88-190	1	(FOR HIGH BACK TYPE)	

SECTION INDEX -- BODY

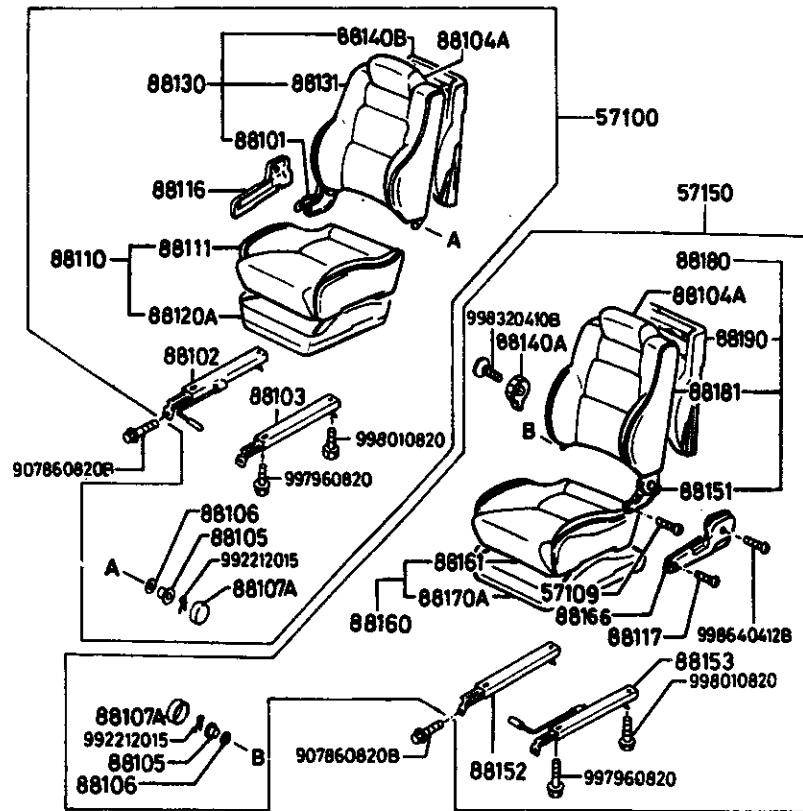
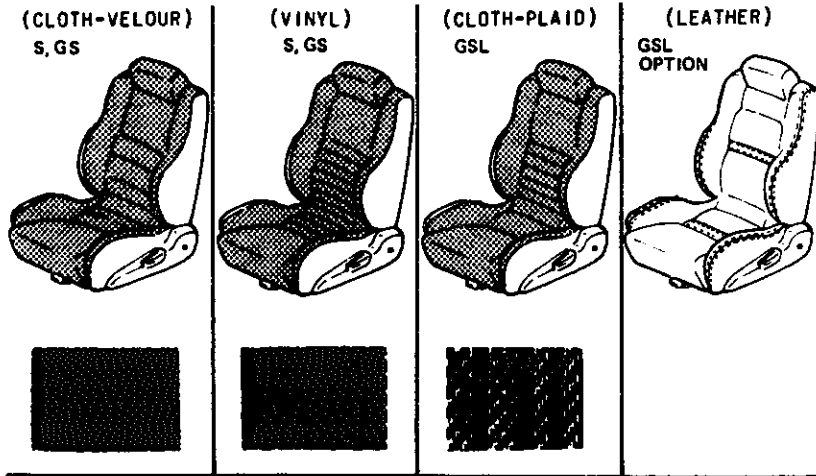
STARTING LOCATION	SECT. NO.	SECTION NAME	STARTING LOCATION	SECT. NO.	SECTION NAME	STARTING LOCATION	SECT. NO.	SECTION NAME
2 - C 3	0900A	KEY SETS	2 - C 8	6132AC	CONDENSER PACKAGE ('83 MODEL)	2 - H11	6870A	SERVICE TOOLS
2 - D 3	5000A	FRONT BUMPER	2 - E 8	6142A	COMPRESSOR MOUNTING KIT, COMPRESSOR/CLUTCH ASSEMBLY & REPAIR PARTS ('81 MODEL)	2 - I11	6900A	VISOR, ASSIST HANDLE & MIRRORS
2 - E 3	5005A	RADIATOR GRILLE	2 - F 8	6142AB	COMPRESSOR MOUNTING KIT, COMPRESSOR/CLUTCH ASSEMBLY & REPAIR PARTS ('82 MODEL)	2 - L11	6930A	CAUTION PLATES
2 - F 3	5010A	REAR BUMPER	2 - G 8	6142AC	COMPRESSOR MOUNTING KIT, COMPRESSOR/CLUTCH ASSEMBLY & REPAIR PARTS ('83 MODEL)			
2 - G 3	5030A	WINDOW MOULDINGS	2 - H 8	6152A	EVAPORATOR PACKAGE ('81 MODEL)			
2 - H 3	5040A	BODY MOULDINGS	2 - I 8	6152AB	EVAPORATOR PACKAGE ('82 MODEL)			
2 - I 3	5060A	SIDE PROTECTORS	2 - J 8	6152AC	EVAPORATOR PACKAGE ('83 MODEL)			
2 - J 3	5100A	HEAD LAMPS	2 - K 8	6230A	BACK DOOR MECHANISM			
2 - K 3	5103A	HEAD LAMP RETRACTORS	2 - L 8	6300A	WINDOW GLASSES			
2 - L 3	5105A	FRONT COMBINATION & SIDE TURN LAMPS	2 - M 8	6330A	SUNROOF (GSI)			
2 - M 3	5110A	REAR COMBINATION LAMPS	2 - N 8	6600A	SWITCH & RELAY (ENGINE & TRANSMISSION)			
2 - N 3	5120A	LICENSE & REAR SIDE TURN LAMPS	2 - C 9	6610A	DASHBOARD SWITCHES (MANUAL OPERATING)			
2 - C 4	5125A	INTERIOR LAMPS (GS & GSI)	2 - D 9	6611A	COMBINATION SWITCH			
2 - D 4	5170A	ORNAMENTS	2 - E 9	6615A	POWER WINDOW SWITCH			
2 - E 4	5180A	COWL & EXTRACTOR GRILLES	2 - F 9	6620A	DOOR, PARKING LAMP & KICK DOWN SWITCH			
2 - F 4	5230A	HOOD	2 - G 9	6630A	RELAY (BODY)			
2 - G 4	5310A	BODY PANELS (FRONT)	2 - H 9	6635A	HORN			
2 - I 4	5340A	BODY PANELS (SIDE & REAR)	2 - I 9	6640A	AUTO CRUISE CONTROL			
2 - J 4	5360A	BODY PANELS (FLOOR)	2 - J 9	6680A	AUDIO SYSTEM			
2 - K 4	5370A	FLOOR ATTACHMENTS	2 - M 9	6700A	WIRE HARNESS (FRONT & REAR)			
2 - L 4	5500A	DASHBOARD EQUIPMENT	2 - N 9	6701A	WIRE HARNESS (ENGINE & TRANSMISSION)			
2 - N 4	5540A	METERS	2 - C10	6702A	WIRE HARNESS (DASHBOARD)			
2 - C 5	5560A	DASHBOARD & RELATED	2 - D10	6703A	WIRE HARNESS (DOOR, FLOOR & CEILING)			
2 - E 5	5570A	CONSOLE	2 - E10	6704A	WIRE HARNESS CLAMPS			
2 - G 5	5580A	VENTILATOR	2 - F10	6720A	WINDSHIELD WASHER			
2 - H 5	5700A	SEATS ('81 & '82) MODELS	2 - G10	6730A	WINDSHIELD WIPER			
2 - C 6	5700AA	SEATS ('83 MODEL)	2 - H10	6740A	WIPER MOTOR (COMPONENTS ONLY)			
2 - H 6	5790A	SEAT BELTS	2 - I10	6750A	REAR WINDOW WIPER & WASHER			
2 - J 6	5800A	FRONT DOOR	2 - J10	6760A	REAR WINDOW WIPER MOTOR (COMPONENTS ONLY)			
2 - K 6	5830A	FRONT DOOR MECHANISM	2 - K10	6800A	CEILING TRIM			
2 - C 7	5840A	FRONT DOOR TRIM & RELATED PARTS	2 - C11	6840A	TRIM & SCUFF PLATE			
2 - F 7	6100A	HEATER	2 - F11	6860A	FLOOR MATS & PADS			
2 - G 7	6110A	HEATER UNIT						
2 - H 7	6115A	HEATER CONTROLS						
2 - I 7	6120A	HEATER BLOWER						
2 - J 7	6132A	CONDENSER PACKAGE ('81 MODEL)						
2 - L 7	6132AB	CONDENSER PACKAGE ('82 MODEL)						

5700AA-1 SEATS ('83 MODEL)



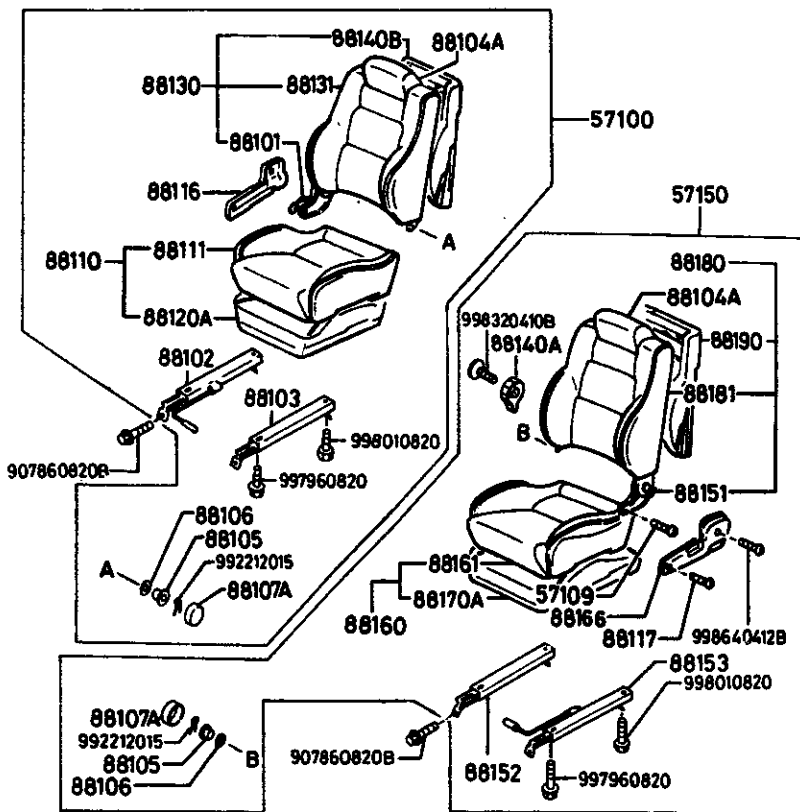
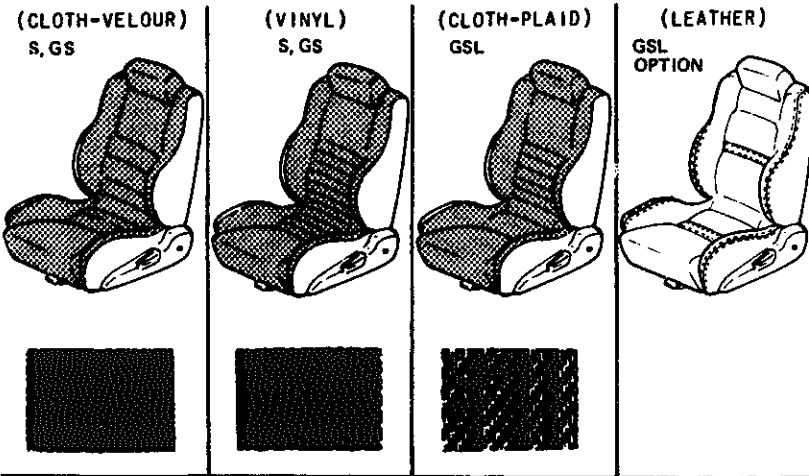
ITEM NO.	D-CODE	DESCRIPTION	PART NO.	QTY	MODEL/DESCRIPTION	REMARKS
57 100		SEAT (R), FRONT	FA07-57-100A	1	(CLOTH-VELOUR) S & GS MODELS	
		BLACK	01			
		RED	11			
		BROWN	71			
		FA08-57-100A	1	(VINYL) S & GS MODELS		
		BLACK	01			
		BROWN	71			
		FA09-57-100A	1	(CLOTH-PLAID) GSL MODEL		
		BLACK	01			
		RED	11			
		BROWN	71			
		FA82-57-100	1	(LEATHER) GSL MODEL OPTION		
RED	10					
TAN	29					
BROWN	70					
57 109		SCREW, KNUCKLE	2155-57-109	8		
57 150		SEAT (L), FRONT	FA07-57-150A	1	(CLOTH-VELOUR) S & GS MODELS	
		BLACK	01			
		RED	11			
		BROWN	71			
		FA08-57-150A	1	(VINYL) S & GS MODELS		
		BLACK	01			
		BROWN	71			
		FA09-57-150A	1	(CLOTH-PLAID) S & GS MODELS		
		BLACK	01			
		RED	11			
		BROWN	71			
		FA82-57-150	1	(LEATHER) GSL MODEL OPTION		
RED	10					
TAN	29					
BROWN	70					
88 101		KNUCKLE (R), RECLINING	8183-88-101	1		
88 102		ADJUSTER NO. 1	8183-88-102	1		
88 103		ADJUSTER NO. 2	F005-88-103	1		

5700AA-2 SEATS ('83 MODEL)



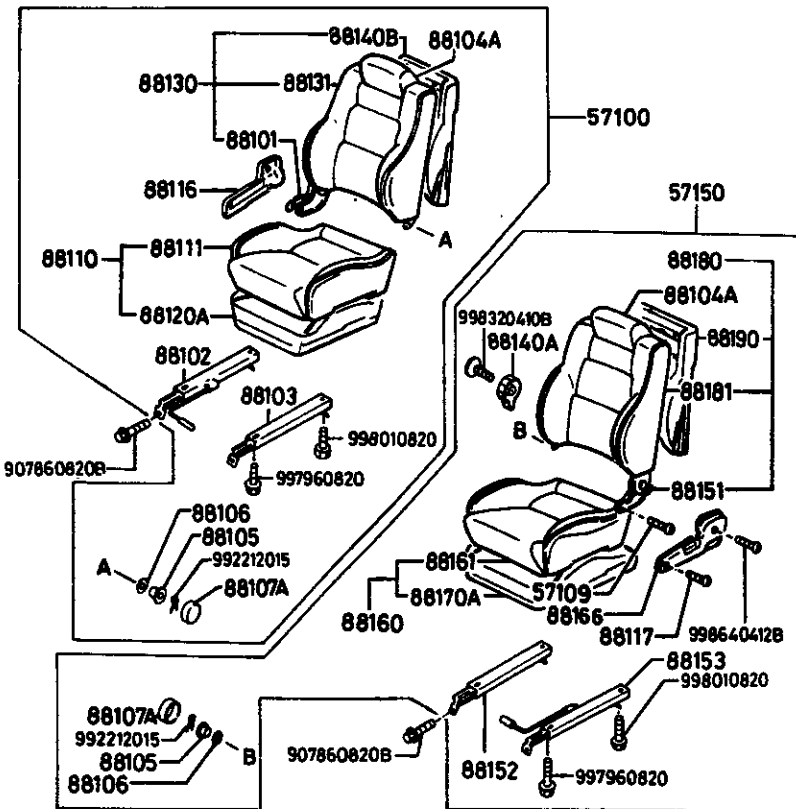
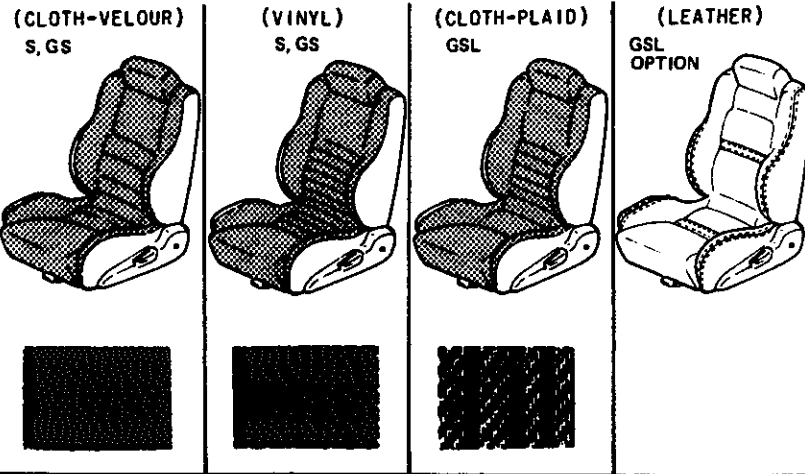
ITEM NO.	D-CODE	DESCRIPTION	PART NO.	QTY	MODEL/DESCRIPTION	REMARKS
88 104A		RESTRAINT, HEAD	FA07-88-104	2	(FOR CLOTH-VELOUR SEAT) S & GS MODELS	
		BLACK	01			
		RED	11			
		BROWN	71			
		FA08-88-014	2	(FOR VINYL SEAT) S & GS MODELS		
		BLACK	01			
		BROWN	71			
		FA09-88-104A	2	(FOR CLOTH-PLAID SEAT) GSL MODEL		
		BLACK	01			
		RED	11			
		BROWN	71			
		88 105		BUSHING	8531-88-106	2
88 106		WASHER	8531-88-105	2		
88 107A		COVER, HINGE	8531-88-107	2		
88 110		CUSHION (R), FRONT SEAT	FA07-88-110A	1	(CLOTH-VELOUR) S & GS MODELS	
		BLACK	01			
		RED	11			
		BROWN	71			
		FA08-88-110A	1	(VINYL) S & GS MODELS		
		BLACK	01			
		BROWN	71			
		FA09-88-110A	1	(CLOTH-PLAID) GSL MODEL		
		BLACK	01			
		RED	11			
		BROWN	71			
		88 111		TRIM (R), SEAT CUSHION	FA07-88-111A	1
BLACK	01					
RED	11					
BROWN	71					
FA08-88-111A	1			(VINYL) S & GS MODELS		
BLACK	01					
BROWN	71					
FA09-88-111A	1			(CLOTH-PLAID) GSL MODEL		
BLACK	01					

5700AA-3 SEATS ('83 MODEL)



ITEM NO.	D-CODE	DESCRIPTION	PART NO.	QTY	MODEL/DESCRIPTION	REMARKS
88 111	(CONT'D)	RED	11			
		BROWN	71			
88 116		COVER (R), KNUCKLE	8183-88-120	1		
		BLACK	00			
		RED	10			
		TAN	29			
		BROWN	70			
88 117		SCREW, KNUCKLE	1243-88-117	2		
88 120A		FRAME & PAD (R), CUSHION	FA09-88-120	1		
88 130		BACK (R), FRONT SEAT	FA07-88-130A	1	(CLOTH-VELOUR) S & GS MODELS	
		BLACK	01			
		RED	11			
		BROWN	71			
			FA08-88-130A	1	(VINYL) S & GS MODELS	
		BLACK	01			
		BROWN	71			
			FA09-88-130A	1	(CLOTH-PLAID) GSL MODEL	
		BLACK	01			
		RED	11			
BROWN	71					
88 131		TRIM (R), SEAT BACK	FA07-88-131A	1	(CLOTH-VELOUR) S & GS MODELS	
		BLACK	01			
		RED	11			
		BROWN	71			
			FA08-88-131A	1	(VINYL) S & GS MODELS	
		BLACK	01			
		BROWN	71			
			FA09-88-131A	1	(CLOTH-PLAID) GSL MODEL	
		BLACK	01			
		RED	11			
BROWN	71					

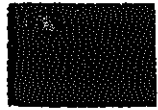
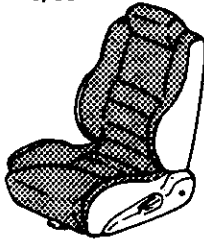
5700AA-4 SEATS ('83 MODEL)



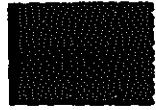
ITEM NO.	D-CODE	DESCRIPTION	PART NO.	QTY	MODEL/DESCRIPTION	REMARKS
88 140A		KNOB, LUMBAR SUPPORT	FA09-88-176	1		
		BLACK	01			
		RED	11			
		TAN	29			
		BROWN	71			
88 140B		FRAME & PAD (R), BACK	FA09-88-140	1		
88 151		KNUCKLE (L), RECLINING	FA09-88-151	1		
88 152		ADJUSTER NO. 3	F005-88-152	1		
88 153		ADJUSTER NO. 4	FA07-88-153	1		
88 160		CUSHION (L), FRT. SEAT	FA07-88-160A	1	(CLOTH-VELOUR) S & GS MODELS	
		BLACK	01			
		RED	11			
		BROWN	71			
			FA08-88-160A	1	(VINYL) S & GS MODELS	
		BLACK	01			
		BROWN	71			
			FA09-88-160A	1	(CLOTH-PLAID) GSL MODEL	
		BLACK	01			
		RED	11			
		BROWN	71			
88 161		TRIM (L), SEAT CUSHION	FA07-88-161A	1	(CLOTH-VELOUR) S & GS MODELS	
		BLACK	01			
		RED	11			
		BROWN	71			
			FA08-88-161A	1	(VINYL) S & GS MODELS	
		BLACK	01			
		BROWN	71			
			FA09-88-161A	1	(CLOTH-PLAID) GSL MODEL	
		BLACK	01			
		RED	11			
		BROWN	71			
88 166		COVER (L), KNUCKLE	8183-88-170	1		
		BLACK	00			
		RED	10			
		TAN	29			
		BROWN	70			
88 170A		FRAME & PAD (L), CUSHION	FA09-88-170	1		

5700AA-5 SEATS ('83 MODEL)

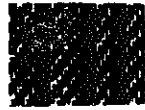
(CLOTH-VELOUR)
S, GS



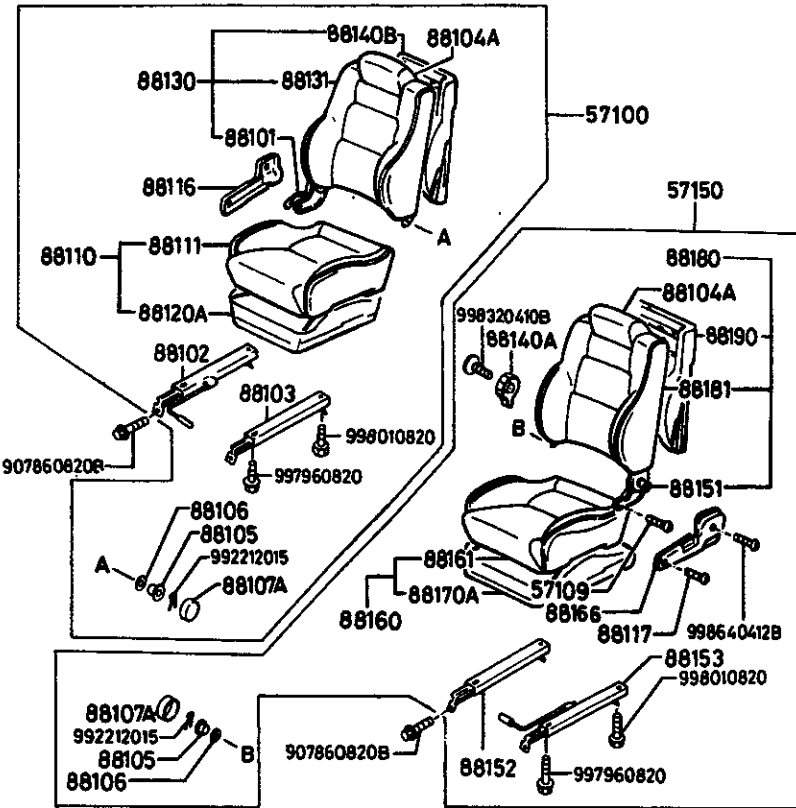
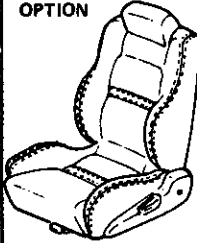
(VINYL)
S, GS



(CLOTH-PLAID)
GSL

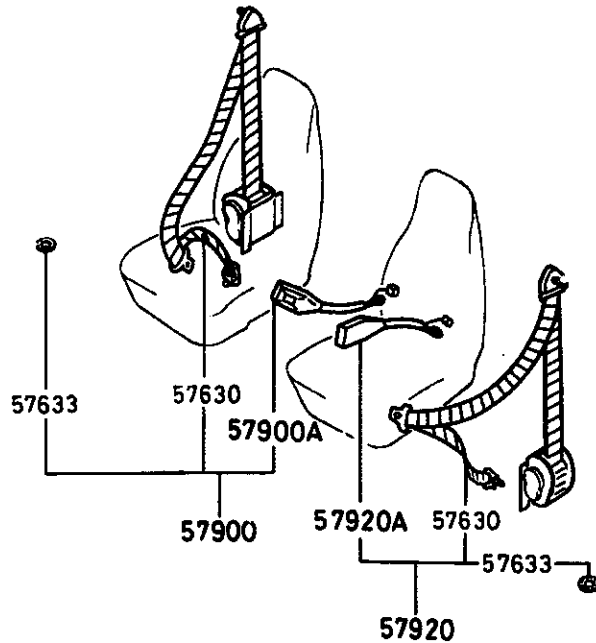


(LEATHER)
GSL
OPTION



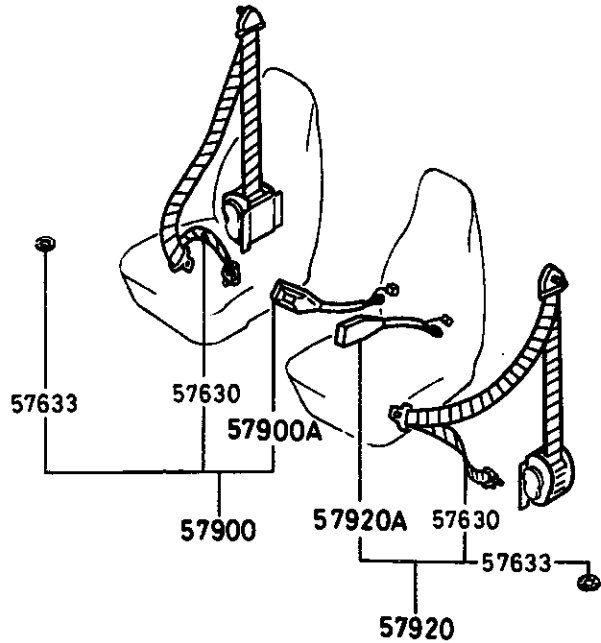
ITEM NO.	D-CODE	DESCRIPTION	PART NO.	QTY	MODEL/DESCRIPTION	REMARKS
88 180		BACK (L), FRONT SEAT	FA07-88-180A	1	(CLOTH-VELOUR) S & GS MODELS	
		BLACK	01			
		RED	11			
		BROWN	71			
			FA08-88-180A	1	(VINYL) S & GS MODELS	
		BLACK	01			
		BROWN	71			
			FA09-88-180A	1	(CLOTH-PLAID) GSL MODEL	
		BLACK	01			
		RED	11			
		BROWN	71			
			FA10-88-180A	1	(CLOTH-PLAID) GSL MODEL	
BLACK	01					
RED	11					
BROWN	71					
88 181		TRIM (L), SEAT BACK	FA07-88-181A	1	(CLOTH-VELOUR) S & GS MODELS	
		BLACK	01			
		RED	11			
		BROWN	71			
			FA08-88-181A	1	(VINYL) S & GS MODELS	
		BLACK	01			
BROWN	71					
	FA09-88-181A	1	(CLOTH-PLAID) GSL MODEL			
BLACK	01					
RED	11					
BROWN	71					
88 190		FRAME & PAD (L), BACK	FA09-88-190	1		

5790A-1 SEAT BELTS



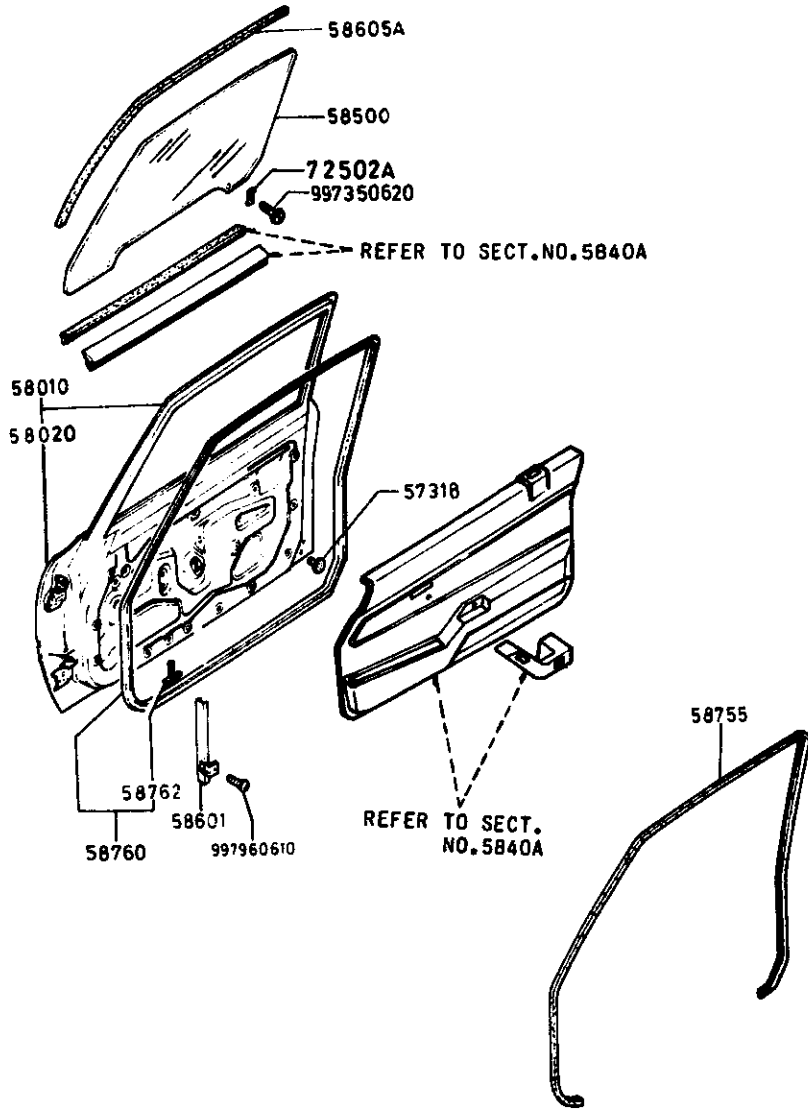
ITEM NO.	D-CODE	DESCRIPTION	PART NO.	QTY	MODEL/DESCRIPTION	REMARKS
57 630		BELT 'B' (R), FRONT SEAT	FA30-57-630	2	'82 & '83 MODELS	
		BLACK	00			
		RED/BLACK	12			
		BROWN	24			
		TAN/BLACK	29			
57 633		BUSHING	8872-57-633	2	'81 MODEL	
57 900		BELT (R), FRONT SEAT	8872-57-610A	1	'81 MODEL	FB331 ..500001-533893
		BLACK	00			
		WINE/BLACK	12			
		BROWN/BLACK	24			
			8872-57-610B	1	'81 MODEL	FB331 ..533894-
		BLACK	00			
		WINE/BLACK	12			
		BROWN/BLACK	24			
			FA30-57-610	1	'82 MODEL	FB331 ..600001-622565
		BLACK	00			
		WINE/RED	12			
		BROWN	24			
		TAN/BLACK	29			
57 900A		BELT 'A' (R), FRONT SEAT	8872-57-620A	1	'81 MODEL	
		BLACK	00			
		WINE/BLACK	12			
		BROWN/BLACK	24			
			FA30-57-620	1	'82 & '83 MODELS	
		BLACK	00			
		RED	12			
		BROWN/BLACK	24			FB331 ..600001-700000
		TAN/BLACK	29			FB331 ..700001-
		DARK TAN	75			FB331 ..500001-533893
57 920		BELT (L), FRONT SEAT	8872-57-670A	1	'81 MODEL	
		BLACK	00			
		WINE/BLACK	12			
		BROWN/BLACK	24			
			8872-57-670B	1	'81 MODEL	FB331 ..533894-
		BLACK	00			
		WINE/BLACK	12			
		BROWN/BLACK	24			
			FA30-57-670	1	'82 MODEL	FB331 ..600001-622565
		BLACK	00			
		WINE/RED	12			

5790A-2 SEAT BELTS



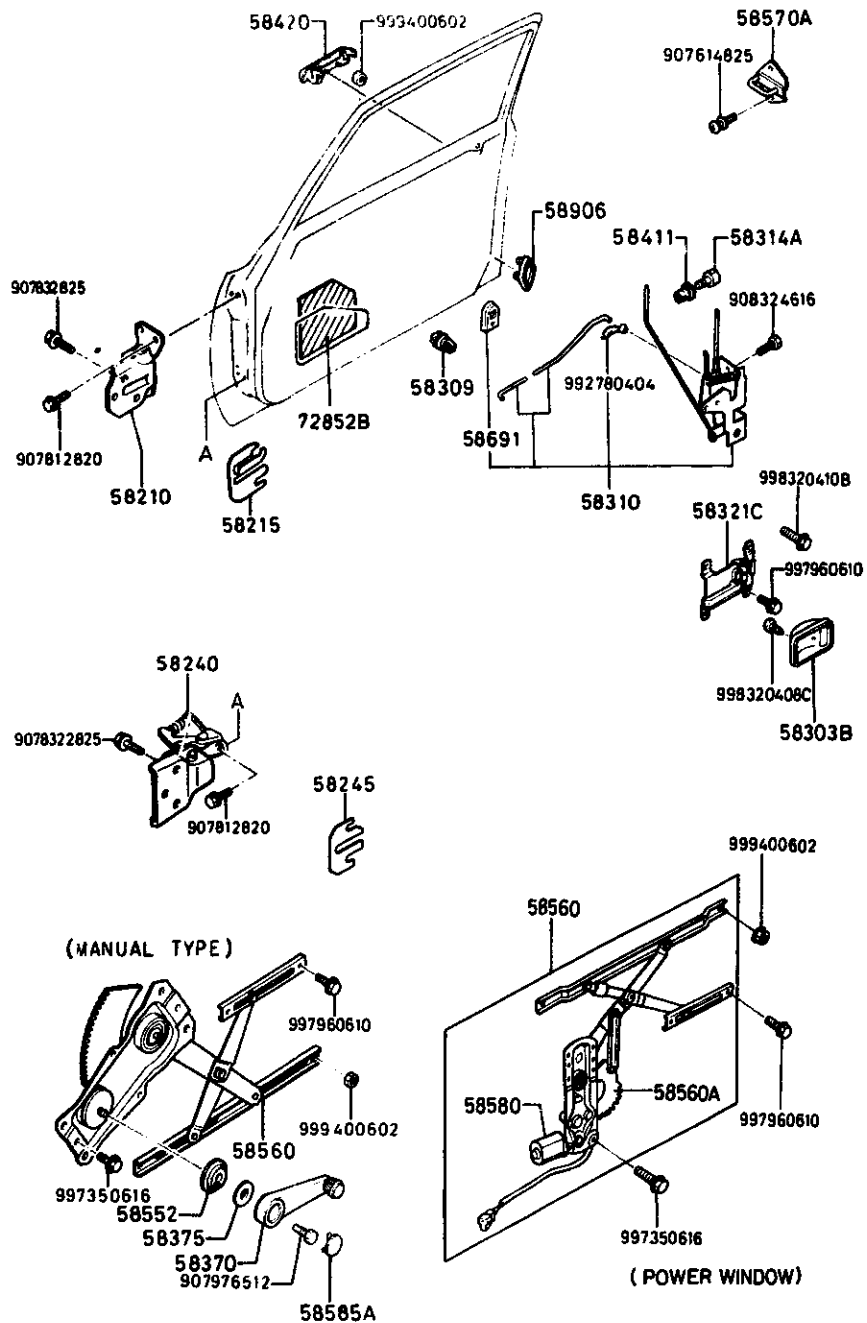
ITEM NO.	D-CODE	DESCRIPTION	PART NO.	QTY	MODEL/DESCRIPTION	REMARKS
57 920	(CONT'D)	BROWN	24			
		TAN/BLACK	29			
57 920A		BELT 'A' (L), FRONT SEAT	8872-57-680A	1	'81 MODEL	
		BLACK	00			
		WINE/BLACK	12			
		BROWN/BLACK	24			
			FA30-57-680	1	'82 & '83 MODELS	
		BLACK	00			
		RED	12			
		BROWN/BLACK	24			
		TAN/BLACK	29			F8331 ..600001-700000
		DARK TAN	75			F8331 ..700001-

5800A-1 FRONT DOOR



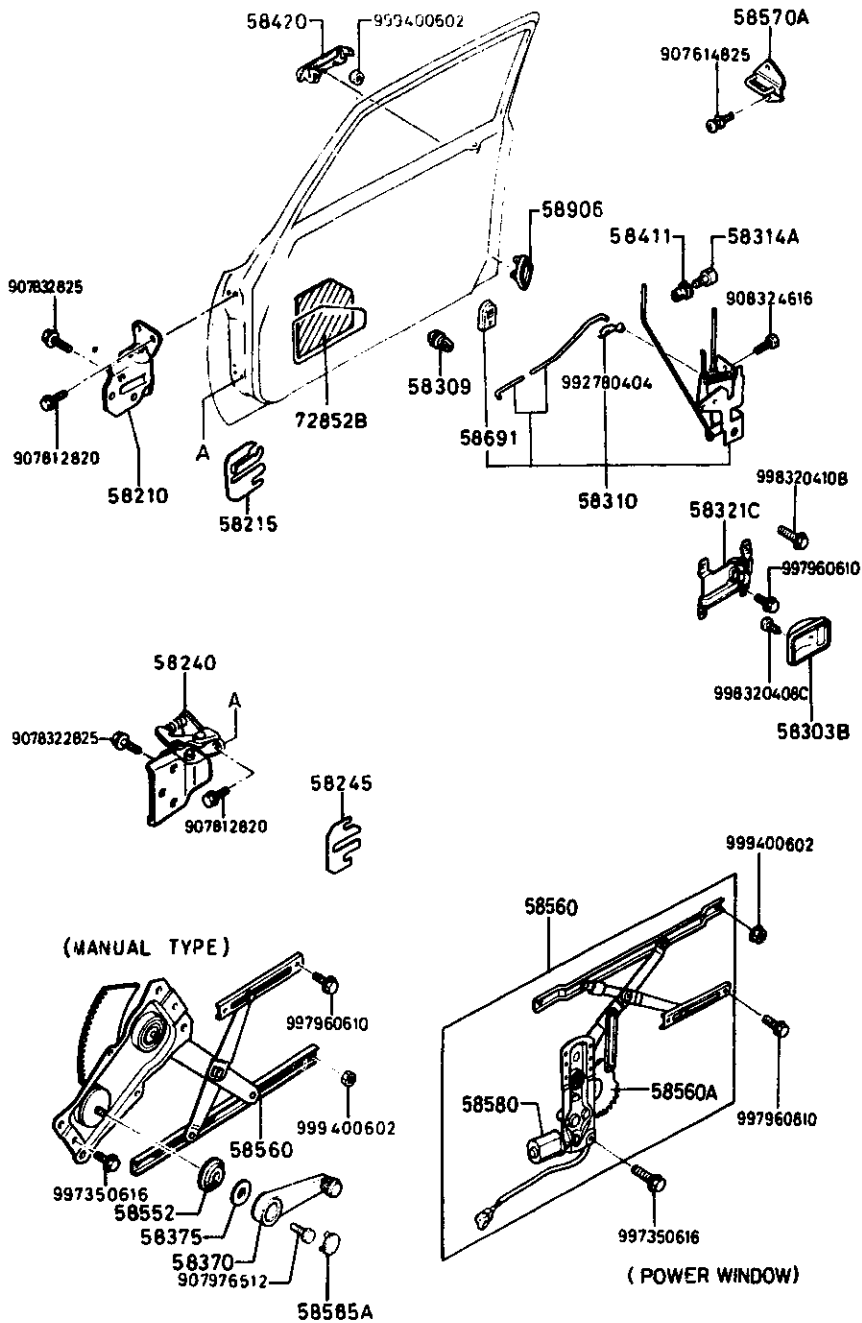
ITEM NO.	D-CODE	DESCRIPTION	PART NO.	QTY	MODEL/DESCRIPTION	REMARKS
57 318		RUBBER, SUPPORT	0286-57-318	2		
58 010		BODY (R), FRONT DOOR	FA54-58-010H	1		
		BODY (L), FRONT DOOR	FA54-59-010H	1		
58 020		PANEL (R), OUTER	8981-58-020E	1		
		PANEL (L), OUTER	8871-59-020E	1		
58 500		GLASS (R), DOOR	8871-58-501E	1		
		GLASS (L), DOOR	8871-59-501E	1		
58 601		GUIDE 'A' (R), GLASS	8871-58-603	1		
		GUIDE 'A' (L), GLASS	8871-59-603	1		
58 605A		CHANNEL, GLASS	8871-58-605C	2		
58 755		WELT, SEAMING	FA02-68-911	2		
		BLACK	01			
		RED	12			
		TAN	29			
		BROWN	34			
58 760		WEATHERSTRIP (R), DOOR	8871-58-760	1		
		WEATHERSTRIP (L), DOOR	8871-59-760	1		
58 762		FASTENER	0305-58-762	42		
72 502A		GROMMET, SCREW	8544-72-502	4		

5830A-1 FRONT DOOR MECHANISM



ITEM NO.	D-CODE	DESCRIPTION	PART NO.	QTY	MODEL/DESCRIPTION	REMARKS
58 210		HINGE (R), DOOR-UPPER	8871-58-210	1		
		HINGE (L), DOOR-UPPER	8871-59-210	1		
58 215		SPACER, HINGE-UPPER	1011-58-231	2		
58 240		HINGE (R), DOOR-LOWER	8032-58-240	1		
		HINGE (L), DOOR-LOWER	8531-59-240A	1		
58 245		SPACER, HINGE-LOWER	8531-58-231A	2		
58 303B		COVER, INNER HANDLE	8116-58-303	2		
		BLACK	00			
		RED	12			
		BROWN	27			
		TAN	29			FB331 ..600001-
58 309		HOLDER, ROD	0305-58-309	4		
58 310		LOCK (R), DOOR	8871-58-310E	1	'81 & '82 MODELS	
			F023-58-310	1	'83 MODEL	
		LOCK (L), DOOR	8871-59-310E	1	'81 & '82 MODELS	
			F023-59-310	1	'83 MODEL	
58 314A		JOINT	1243-58-314	2		
58 321C		HANDLE, INNER	8545-58-330	2		
58 370		HANDLE, REGULATOR	8038-58-580A	2	S & GS MODELS	
		BLACK	02			
		RED	12			
		BROWN	27			
		TAN	29			FB331 ..600001-
58 375		ESCUTCHEON	0223-58-375A	2	S & GS MODELS	
		BLACK	00			
		RED	12			
		BROWN	27			
		TAN	29			FB331 ..600001-
58 411		BUSHING	1243-58-411	2		
58 420		HANDLE (R), OUTER	8871-58-410C	1		
		HANDLE (L), OUTER	8871-59-410C	1		
58 552		GASKET, REGULATOR HANDLE	0259-58-305B	2		
58 560		REGULATOR (R), WINDOW	8871-58-560A	1	S & GS MODELS	
			FA02-58-560	1	GSL MODEL	
		REGULATOR (L), WINDOW	8871-59-560A	1	S & GS MODELS	
			FA02-59-560	1	GSL MODEL	
58 560A		ARM (R), REGULATOR	FA02-58-590	1	GSL MODEL	
		ARM (L), REGULATOR	FA02-59-590	1	GSL MODEL	
58 570A		STRIKER	8531-58-361	2		
58 580		MOTOR (R), WINDOW	G018-59-580	1	GSL MODEL	

5830A-2 FRONT DOOR MECHANISM

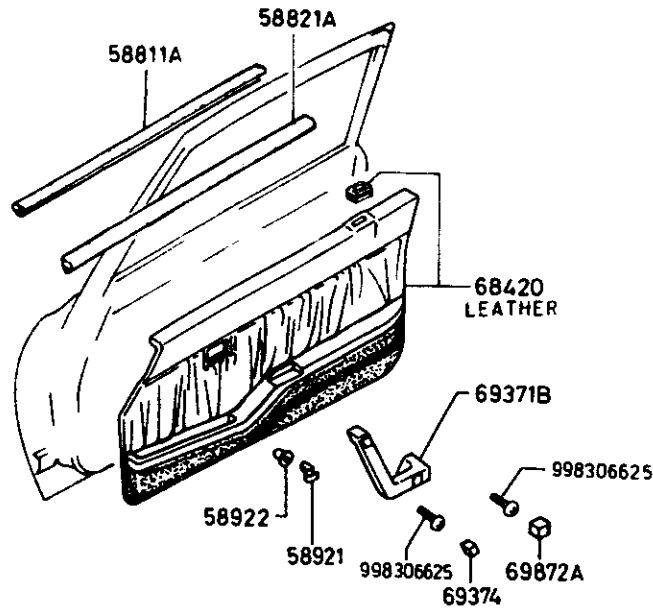


ITEM NO.	D-CODE	DESCRIPTION	PART NO.	QTY	MODEL/DESCRIPTION	REMARKS
58 580	(CONT'D)	< A >	G019-59-580	1		
		MOTOR (L) WINDOW	G018-58-580	1	GSL MODEL	
		< A >	G019-58-580	1		
58 585A		CAP. REGULATOR HANDLE	8037-58-585	2	S & GS MODELS	
		BLACK	02			
		RED	12			
		BROWN	27			
		TAN	29			
58 691		KNOB, DOOR LOCK	G030-58-316A	2		FB331 ..600001-
		BLACK	00			
58 906		CUSHION, DOOR	0259-58-906	2		
72 852B		INSULATION	0305-72-852A	2	'82 & '83 MODELS	

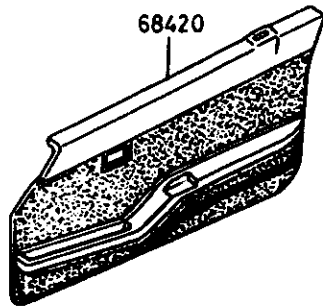
SECTION INDEX -- BODY

STARTING LOCATION	SECT. NO.	SECTION NAME	STARTING LOCATION	SECT. NO.	SECTION NAME	STARTING LOCATION	SECT. NO.	SECTION NAME
2 - C 3	0900A	KEY SETS	2 - C 8	6132AC	CONDENSER PACKAGE ('83 MODEL)	2 - H 11	6870A	SERVICE TOOLS
2 - D 3	5000A	FRONT BUMPER	2 - E 8	6142A	COMPRESSOR MOUNTING KIT, COMPRESSOR/CLUTCH ASSEMBLY & REPAIR PARTS ('81 MODEL)	2 - 111	6900A	VISOR, ASSIST HANDLE & MIRRORS
2 - E 3	5005A	RADIATOR GRILLE	2 - F 8	6142AB	COMPRESSOR MOUNTING KIT, COMPRESSOR/CLUTCH ASSEMBLY & REPAIR PARTS ('82 MODEL)	2 - 111	6930A	CAUTION PLATES
2 - F 3	5010A	REAR BUMPER	2 - G 8	6142AC	COMPRESSOR MOUNTING KIT, COMPRESSOR/CLUTCH ASSEMBLY & REPAIR PARTS ('83 MODEL)			
2 - G 3	5030A	WINDOW MOULDINGS	2 - H 8	6152A	EVAPORATOR PACKAGE ('81 MODEL)			
2 - H 3	5040A	BODY MOULDINGS	2 - I 8	6152AB	EVAPORATOR PACKAGE ('82 MODEL)			
2 - I 3	5060A	SIDE PROTECTORS	2 - J 8	6152AC	EVAPORATOR PACKAGE ('83 MODEL)			
2 - J 3	5100A	HEAD LAMPS	2 - K 8	6230A	BACK DOOR MECHANISM			
2 - K 3	5103A	HEAD LAMP RETRACTORS	2 - L 8	6300A	WINDOW GLASSES			
2 - L 3	5105A	FRONT COMBINATION & SIDE TURN LAMPS	2 - M 8	6330A	SUNROOF (GSI)			
2 - M 3	5110A	REAR COMBINATION LAMPS	2 - N 8	6600A	SWITCH & RELAY (ENGINE & TRANSMISSION)			
2 - N 3	5120A	LICENSE & REAR SIDE TURN LAMPS	2 - C 9	6610A	DASHBOARD SWITCHES (MANUAL OPERATING)			
2 - C 4	5125A	INTERIOR LAMPS (GS & GSI)	2 - D 9	6611A	COMBINATION SWITCH			
2 - D 4	5170A	ORNAMENTS	2 - E 9	6615A	POWER WINDOW SWITCH			
2 - E 4	5180A	COWL & EXTRACTOR GRILLES	2 - F 9	6620A	DOOR, PARKING LAMP & KICK DOWN SWITCH			
2 - F 4	5230A	HOOD	2 - G 9	6630A	RELAY (BODY)			
2 - G 4	5310A	BODY PANELS (FRONT)	2 - H 9	6635A	HORN			
2 - I 4	5340A	BODY PANELS (SIDE & ROOF)	2 - I 9	6640A	AUTO CRUISE CONTROL			
2 - J 4	5360A	BODY PANELS (FLOOR)	2 - J 9	6680A	AUDIO SYSTEM			
2 - K 4	5370A	FLOOR ATTACHMENTS	2 - M 9	6700A	WIRE HARNESS (FRONT & REAR)			
2 - L 4	5500A	DASHBOARD EQUIPMENT	2 - N 9	6701A	WIRE HARNESS (ENGINE & TRANSMISSION)			
2 - N 4	5540A	METERS	2 - C 10	6702A	WIRE HARNESS (DASHBOARD)			
2 - C 5	5560A	DASHBOARD & RELATED	2 - D 10	6703A	WIRE HARNESS (DOOR, FLOOR & CEILING)			
2 - E 5	5570A	CONSOLE	2 - E 10	6704A	WIRE HARNESS CLAMPS			
2 - G 5	5580A	VENTILATOR	2 - F 10	6720A	WINDSHIELD WASHER			
2 - H 5	5700A	SEATS ('81 & '82) MODELS	2 - G 10	6730A	WINDSHIELD WIPER			
2 - C 6	5700AA	SEATS ('83 MODEL)	2 - H 10	6740A	WIPER MOTOR (COMPONENTS ONLY)			
2 - H 6	5790A	SEAT BELTS	2 - I 10	6750A	REAR WINDOW WIPER & WASHER			
2 - J 6	5800A	FRONT DOOR	2 - J 10	6760A	REAR WINDOW WIPER MOTOR (COMPONENTS ONLY)			
2 - K 6	5830A	FRONT DOOR MECHANISM	2 - K 10	6800A	CEILING TRIM			
2 - C 7	5840A	FRONT DOOR TRIM & RELATED PARTS	2 - C 11	6840A	TRIM & SCUFF PLATE			
2 - F 7	6100A	HEATER	2 - F 11	6860A	FLOOR MATS & PADS			
2 - G 7	6110A	HEATER UNIT						
2 - H 7	6115A	HEATER CONTROLS						
2 - I 7	6120A	HEATER BLOWER						
2 - J 7	6132A	CONDENSER PACKAGE ('81 MODEL)						
2 - L 7	6132AB	CONDENSER PACKAGE ('82 MODEL)						

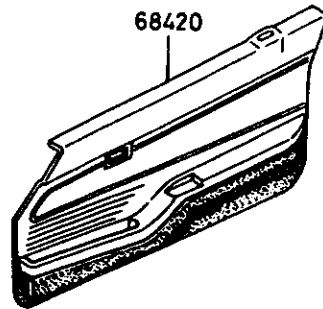
5840A-1 FRONT DOOR TRIM & RELATED PARTS



CLOTH

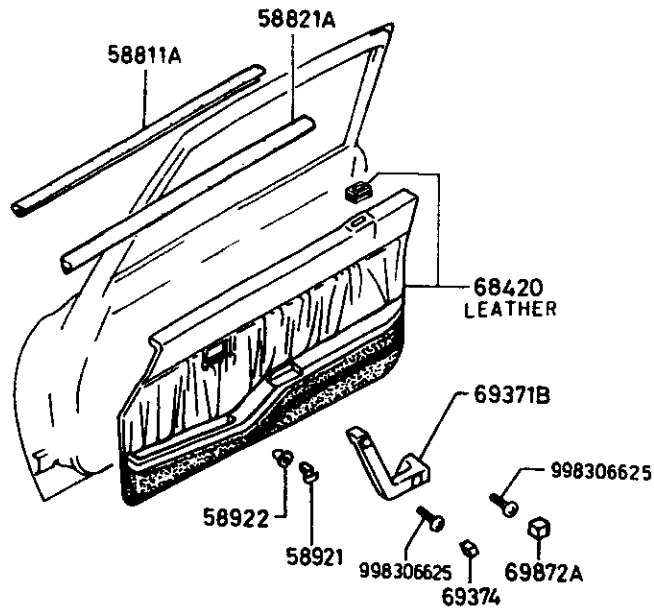


VINYL

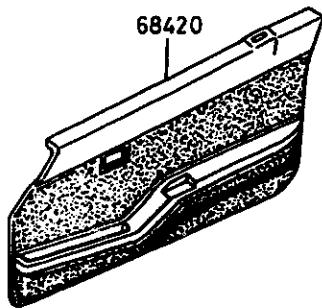


ITEM NO.	D-CODE	DESCRIPTION	PART NO.	QTY	MODEL/DESCRIPTION	REMARKS
58 811A		WEATHERSTRIP, OUTER	8871-58-781	2		
58 821A		WEATHERSTRIP, INNER	8871-58-791	2		
58 921		FASTENER	0208-58-921	22		
58 922		CAP. FASTENER	0187-58-922	22		
68 420		TRIM (R), DOOR	FA01-68-420A	1	S & GS MODELS	
		RED	10			
			< A >			
		BLACK	00		(VINYL)	
		RED	10		S & GS MODELS	
		BROWN	70			
			FA02-68-420D	1	(CLOTH)	
		BLACK	00		S & GS MODELS	
		RED	10			
		BROWN	70			
			FA03-68-420A	1	(CLOTH)	
		RED	10		GSL MODEL	
			< A >			
		BLACK	00		(CLOTH)	
		RED	10		GSL MODEL	
		BROWN	70			
			FA04-68-420A	1	(LEATHER)	
		RED	10		'81 GSL MODEL	FB331 ..500001-600000
		BROWN	70			
			FA05-68-420C	1	(LEATHER)	
		RED	10		GSL MODEL	
		TAN	29			
		BROWN	70			
			FA42-68-420A	1	(VINYL)	
		BLACK	01		'83 S & GS MODELS	
		RED	11			
		BROWN	71			
		TRIM (L), DOOR	FA01-68-450D	1	(VINYL)	
		BLACK	00		S & GS MODELS	
		RED	10			
		BROWN	70			

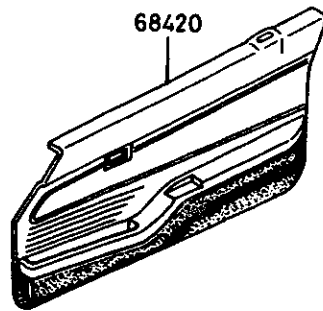
5840A-2 FRONT DOOR TRIM & RELATED PARTS



CLOTH

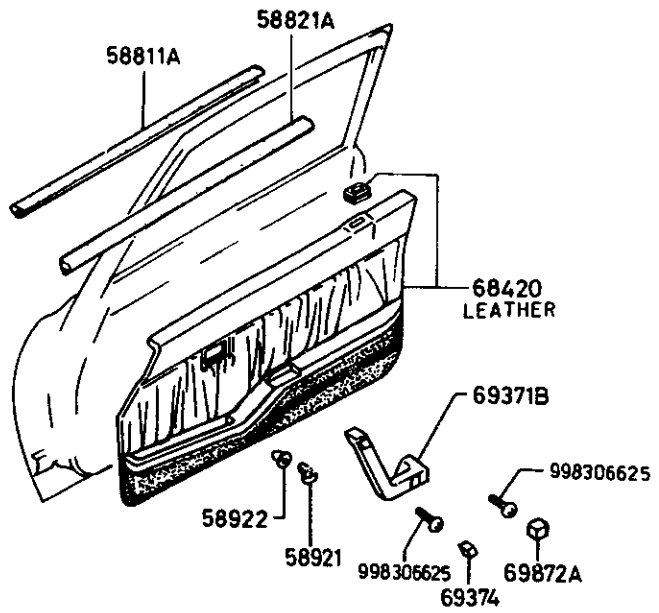


VINYL



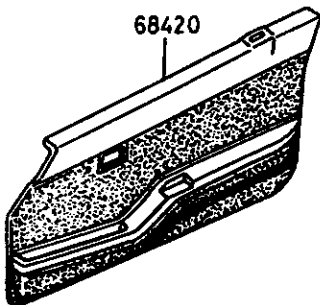
ITEM NO.	D-CODE	DESCRIPTION	PART NO.	QTY	MODEL/DESCRIPTION	REMARKS
68 420 (CONT'D)			FA02-68-450D	1	(CLOTH) S & GSL MODELS	
		BLACK	00			
		RED	10			
		BROWN	70			
			FA03-68-450D	1	(CLOTH) GSL MODEL	
		BLACK	00			
		RED	10			
		BROWN	70			
			FA05-68-450C	1	(LEATHER) GSL MODEL	
		RED	10			
		BROWN	70			
			FA42-68-450A	1	(VINYL) '83 S & GS MODELS	
69 371B						
		BLACK	01			
		RED	11			
		BROWN	71			
			FA01-69-371A	1		
		HANDLE (R), PULL				
		BLACK	00			
		RED	10			
		TAN	29			FB331 ..600001-
		BROWN	80			
			FA01-69-391A	1		
		HANDLE (L), PULL				
BLACK	00					
RED	10					
TAN	29			FB331 ..600001-		
BROWN	80					
	FA01-69-372	1				
69 374		CAP (R), PULL HANDLE				
BLACK	00					
RED	10					
TAN	29			FB331 ..600001-		
BROWN	80					
	FA01-69-392	1				
69 374		CAP (L), PULL HANDLE				
BLACK	00					
RED	10					
TAN	29			FB331 ..600001-		
BROWN	80					
	FA01-69-374	6				
69 872A		CAP, PULL HANDLE				
BLACK	00					

5840A-3 FRONT DOOR TRIM & RELATED PARTS

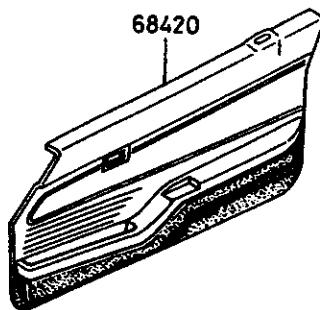


ITEM NO.	D-CODE	DESCRIPTION	PART NO.	QTY	MODEL/DESCRIPTION	REMARKS
	69 872A (CONTD)	RED	10			
		TAN	29			FB331 ..400001-
		BROWN	80			

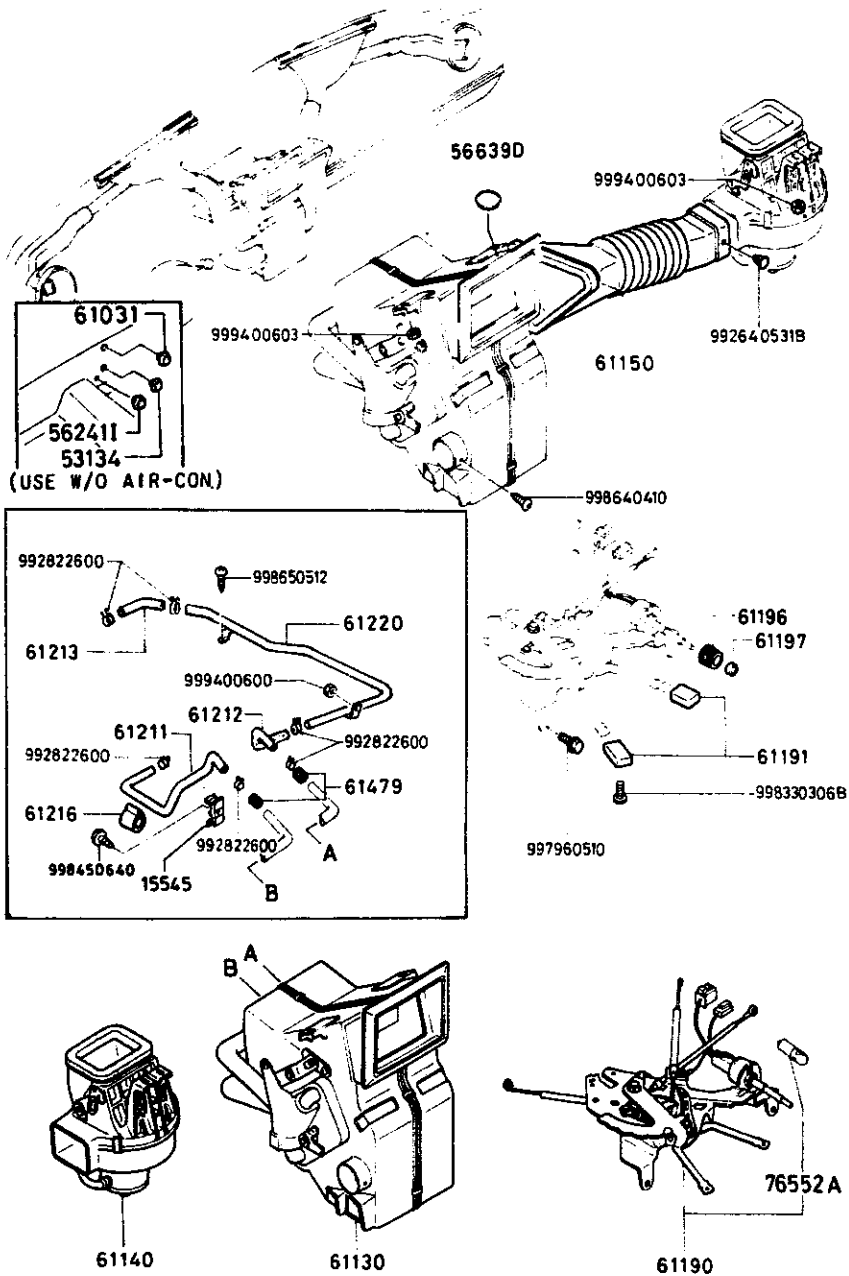
CLOTH



VINYL



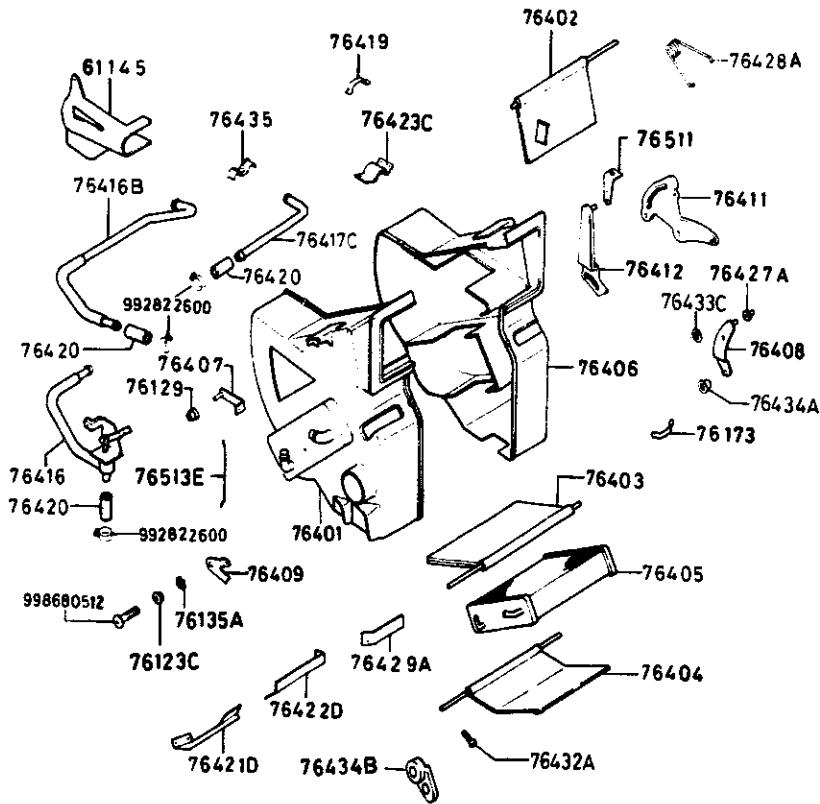
6100A-1 HEATER



ITEM NO.	D-CODE	DESCRIPTION	PART NO.	QTY	MODEL/DESCRIPTION	REMARKS
15 545		CLIP, HEATER HOSE	N231-15-545	1	'83 MODEL	
53 134		PLUG, DRAIN	0187-53-134	1	(USE W/O A/C)	
56 241I		PLUG, DRAIN	0118-56-241	1	(USE W/O A/C)	
			< A > B499-62-868	1		
56 639D		COVER, SERVICE HOLE	0810-56-639	1		
61 031		PLUG, HOLE	1708-61-031	1	(USE W/O A/C)	
61 130		HEATER UNIT	FA42-61-130	1		
61 140		BLOWER	8871-61-140A	1		
61 150		DUCT	8871-61-150	1	(USE W/O A/C)	
61 190		CONTROL, HEATER	FA01-61-190	1	'81 & '82 MODELS THRU JAN. '82 PROD.	FB331 ..500001-633360
			FA01-61-190A	1	'82 & '83 MODELS FROM FEB. '82 PROD.	FB331 ..633361-
61 191		KNOB NO. 1	8171-61-191A	2		
61 196		KNOB	8563-61-196A	1		
61 197		KNOB, A/C	8563-61-197B	1		
61 211		HOSE NO. 1, WATER	8871-61-230	1	'81 & '82 MODELS	
			N231-15-550	1	'83 MODELS	
61 212		HOSE NO. 2, WATER	8871-61-212	1		
61 213		HOSE NO. 3, WATER	8871-61-213	1	'81 & '82 MODELS	
			FA42-61-213A	1	'83 MODEL	
61 216		PROTECTOR	1011-61-216	1	'81 & '82 MODELS	
61 220		PIPE, HEATER	F001-61-220B	1	'81 & '82 MODELS	
			FA42-61-220C	1	'83 MODELS	
61 479		GROMMET	8871-61-219A	2		
76 552A		BULB	8595-76-552	1		

6110A-1 HEATER UNIT

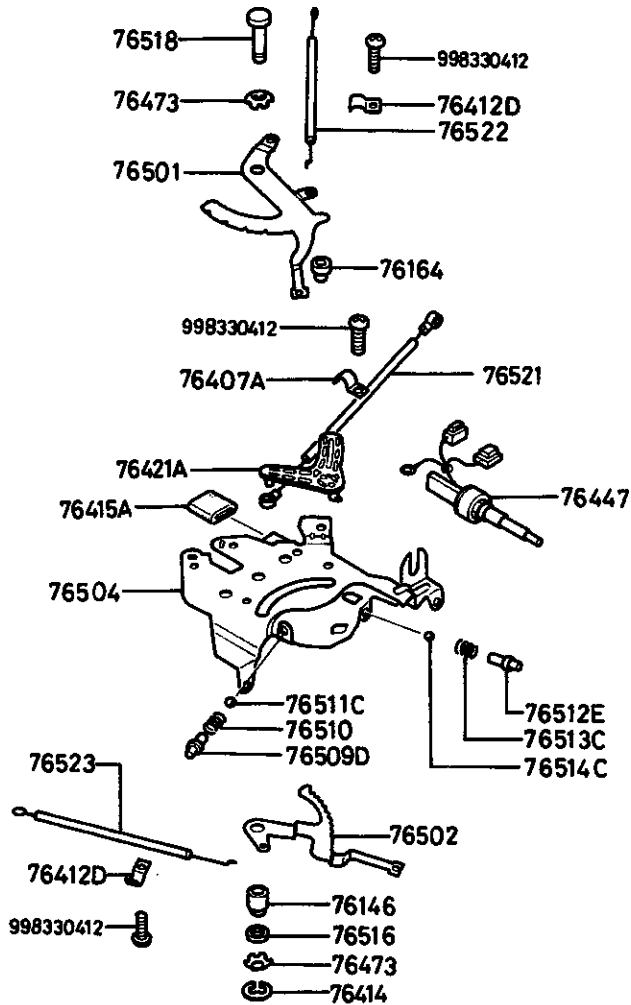
COMPONENTS OF FA42-61-130



ITEM NO.	D-CODE	DESCRIPTION	PART NO.	QTY	MODEL/DESCRIPTION	REMARKS
	61 145	COVER, HEATER	8871-76-418	1		
	76 123C	BUSHING	8871-76-414	3		
	76 129	BUSHING	8871-76-470	1		
	76 135A	SPRING	8871-76-415	3		
	76 173	CLAMP	8871-76-466	6		
	76 401	CASE, HEATER	FA42-76-401	1		
	76 402	SHUTTER NO. 1	FA42-76-403	1		
	76 403	SHUTTER NO. 2	8871-76-405	1		
	76 404	SHUTTER NO. 3	8871-76-410A	1		
	76 405	CORE, HEATER	8871-76-402	1		
	76 406	CASE, HEATER	FA42-76-400A	1		
	76 407	LEVER NO. 1, CONTROL	8871-76-406	1		
	76 408	LEVER, CONTROL	8871-76-413	1		
	76 409	LEVER NO. 2, CONTROL	8871-76-407	1		
	76 411	LEVER, CONTROL	8871-76-411A	1		
	76 412	LEVER, CONTROL	8871-76-412A	1		
	76 416	VALVE, WATER	8871-76-409	1		
	76 416B	PIPE	8871-76-416	1		
	76 417C	PIPE	8871-76-417	1		
	76 419	CLIP	8871-76-471	1		
	76 420	HOSE	8871-76-420	3		
	76 421D	GUIDE	8871-76-421	1		
	76 422D	GUIDE	8871-76-422	1		
	76 423C	BAND, HOSE	8871-76-425	2		
	76 427A	BUSHING	8871-76-427	1		
	76 428A	SPRING	8871-76-428	1		
	76 429A	GUIDE	FA42-76-429	1		
	76 432A	WASHER & SCREW	8871-76-432	1		
	76 433C	WASHER	8871-76-433	1		
	76 434A	BUSHING, STEPPED	8871-76-434	1		
	76 434B	PLATE	8871-76-430A	1		
	76 435	CLIP	8871-76-419	2		
	76 511	PLATE, HEATER UNIT	8871-76-404	1		
	76 513E	SHAFT	8871-76-408	1		

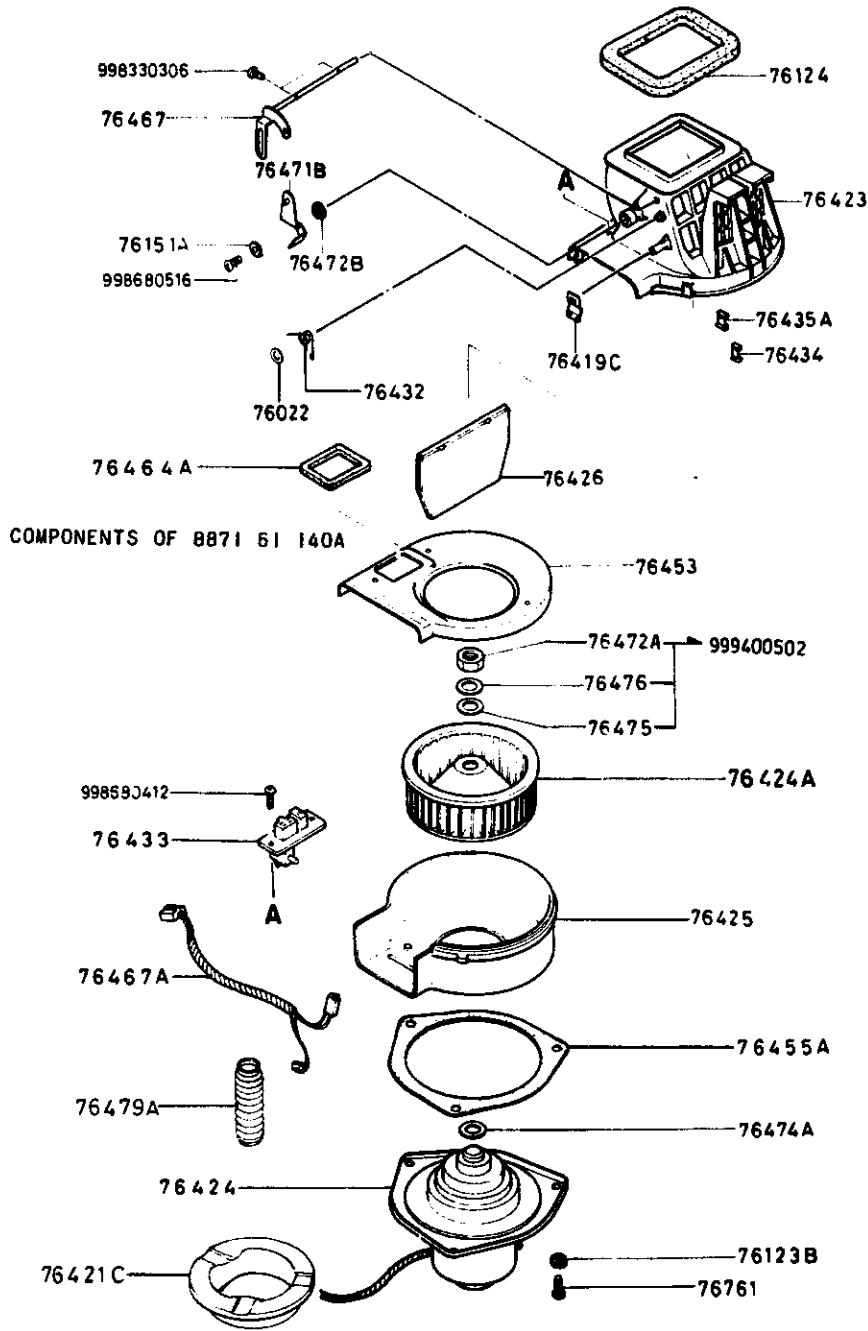
6115A-1 HEATER CONTROLS

COMPONENTS OF FA01-61-190



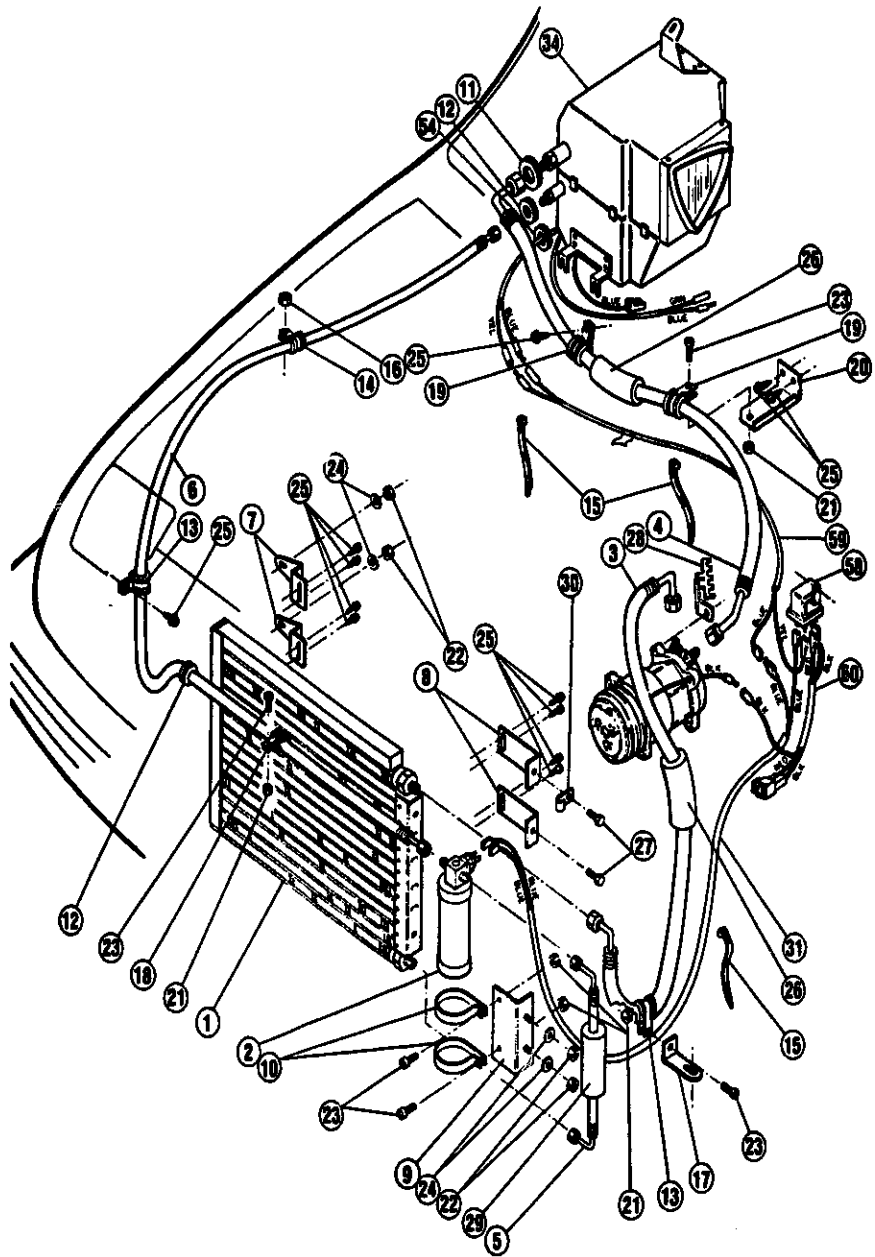
ITEM NO.	D-CODE	DESCRIPTION	PART NO.	QTY	MODEL/DESCRIPTION	REMARKS
76 146		BUSHING	8871-76-516	1		
76 164		BUSHING	8871-76-518	1		
76 407A		CLAMP, CABLE	8562-76-508	1		
76 412D		CLAMP, CABLE	8871-76-508	2		
76 414		RING, SNAP	0259-71-158	1		
76 415A		BUSHING	8531-76-415	1		
76 421A		PLATE	8871-76-503A	1		
76 447		SWITCH	8563-76-504	1		
76 473		WASHER	0315-76-028	2		
76 501		LEVER, CONTROL	FA01-76-502	1	(SELECTOR)	
76 502		LEVER, CONTROL	8249-76-501	1	(TEMPERATURE)	
76 504		BRACKET	F001-76-500A	1		
76 509D		COVER, BEARING	8871-76-509	1		
76 510		SPRING	8871-76-510	1		
76 511C		BALL, STEEL	8871-76-511	1		
76 512E		COVER, BEARING	8871-76-512	1		
76 513C		SPACER	8871-76-513	1		
76 514C		BALL, STEEL	8871-76-514	1		
76 516		WASHER	8871-76-517	1		
76 518		PIN	8871-76-515	1		
76 521		WIRE, HEATER CONTROL	8871-76-505	1		
76 522		WIRE, HEATER CONTROL	8341-76-506	1		
76 523		WIRE, HEATER CONTROL	8871-76-507	1		

6120A-1 HEATER BLOWER



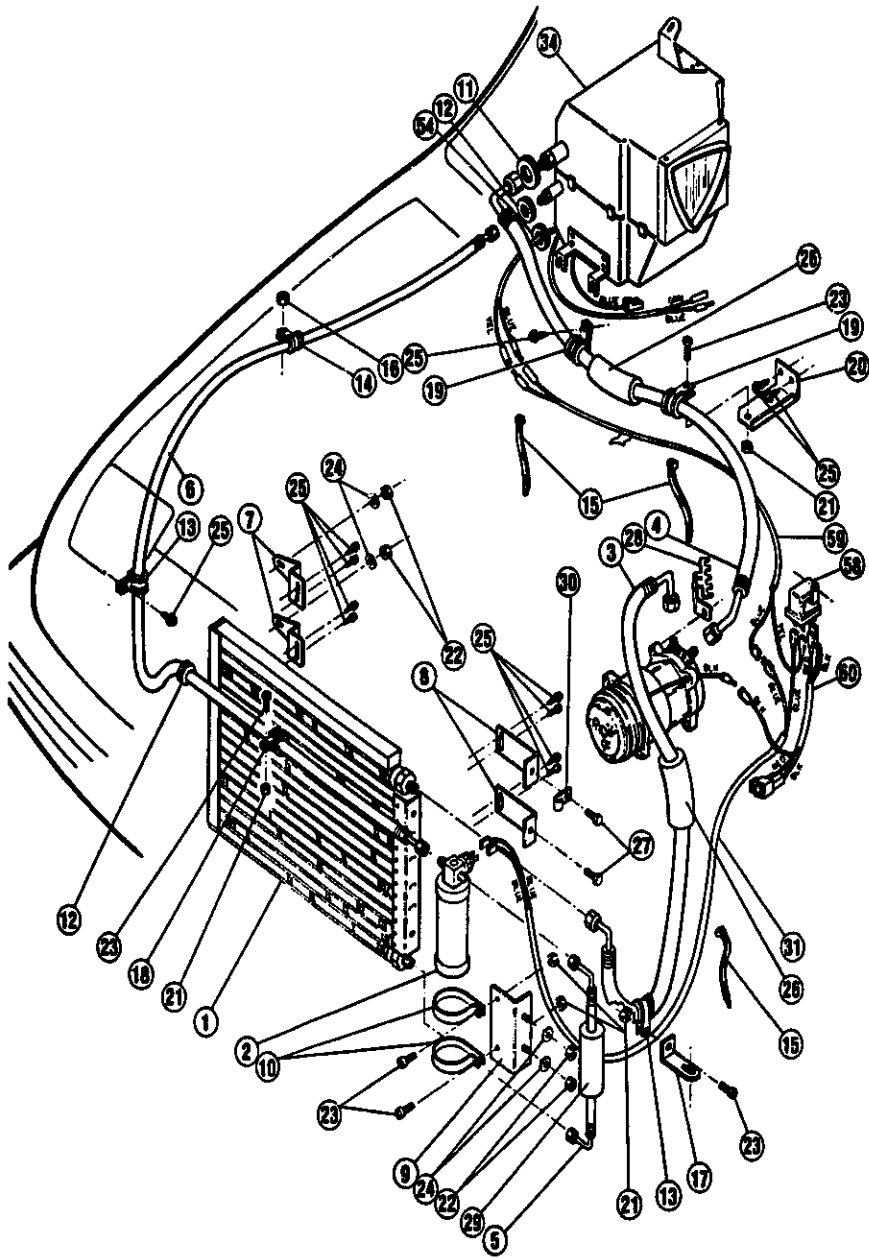
ITEM NO.	D-CODE	DESCRIPTION	PART NO.	QTY	MODEL/DESCRIPTION	REMARKS
	76 022	WASHER	8871-76-469	1		
	76 123B	BUSHING	8871-76-470	1		
	76 124	PACKING	8871-76-465	1		
	76 151A	SPRING	8871-76-461	1		
	76 419C	CLIP	8871-76-464	1		
	76 421C	COVER, MOTOR	8871-76-478	1		
	76 423	CASE, FAN	8871-76-450	1		
	76 424	MOTOR, FAN	8871-76-453A	1		
	76 424A	MOTOR, FAN	8871-76-456	1		
	76 425	CASE	8871-76-451	1		
	76 426	SHUTTER	8871-76-459	1		
	76 432	SPRING, CONTROL LEVER	8871-76-463	1		
	76 433	RESISTOR	8871-76-457	1		
	76 434	CLIP	8871-76-466	4		
	76 435A	CLIP	8871-76-471	1		
	76 453	FLANGE	8871-76-452	1		
	76 455A	GASKET	8871-76-454	1		
	76 464A	GASKET	8871-76-458	1		
	76 467	SHAFT	8871-76-468	1		
	76 467A	WIRING, BLOWER	8871-76-467A	1		
	76 471B	LEVER, CONTROL	8871-76-460	1		
	76 472A	NUT	3794-76-426	1	'81 & '82 MODELS	FB331 ..500001-618727
	76 472B	COLLAR	8871-76-462	1		
	76 474A	WASHER, PLAIN	0866-76-474	1		
	76 475	WASHER, PLAIN	0866-76-475	1	'81 & '82 MODELS	FB331 ..500001-618727
	76 476	WASHER, PLAIN	0866-76-476	1	'81 & '82 MODELS	FB331 ..500001-618727
	76 479A	HOSE	8871-76-479	1		
	76 761	SCREW	8871-76-455	3		

6132A-1 CONDENSER PACKAGE ('81 MODEL)



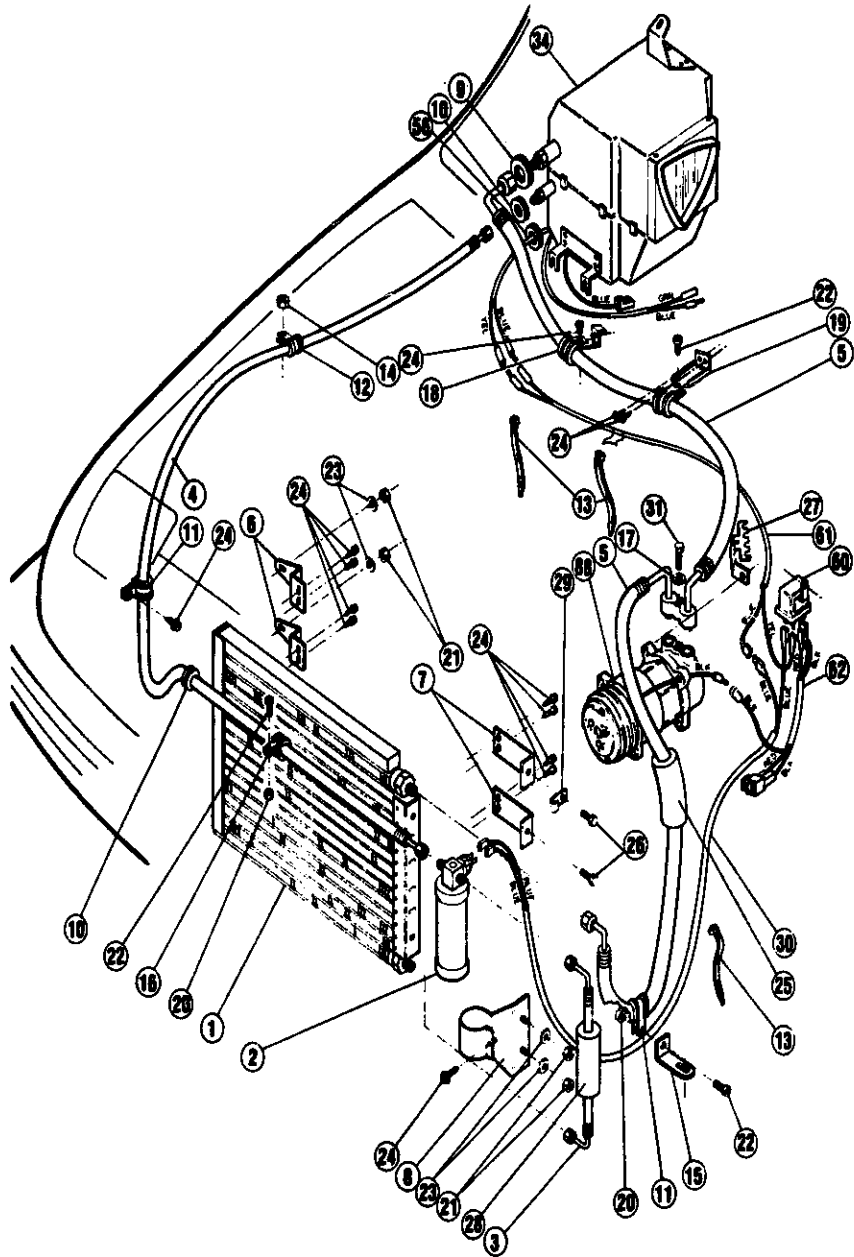
ITEM NO.	D-CODE	DESCRIPTION	PART NO.	QTY	MODEL/DESCRIPTION	REMARKS
1		CONDENSER	0000-67-1265-57	1		
2		RECEIVER-DRIER	0000-67-0440-49	1	W/ 0000-67-0957-80, LOW PRESSURE SWITCH	
3		HOSE, DISCHARGE	0000-67-0651-46	1	(COMP.-CONDENSER) 1/2F 90 X 1/2F 90 X 41 (0 DEG. ORIENTATION)	
4		HOSE, SUCTION	0000-67-0651-47	1	(EVAPORATOR- COMPRESSOR) 5/8F 110 X 5/8F PREFORMED END X 38 1/2	
5		HOSE, LIQUID	0000-67-0651-48	1	(COND.-REC./DRIER) 3/8F 90 X 3/8F 90 X 18 (0 DEG. ORIENTATION)	
6			0000-67-0651-49	1	(RECEIVER/DRIER- EVAPORATOR) 3/8F X 3/8F X 66	
7		SACK KIT, CONDENSER	0000-67-1477-21			
8		BRACKET (R), CONDENSER	0000-67-0007-44	2		
9		BRACKET (L), CONDENSER	0000-67-0007-45	2		
10		BRACKET, MOUNTING-REC/ DRIER	0000-67-0011-83	1		
11		CLAMPS, RECEIVER/DRIER	0000-67-0000-33	2		
12		GROMMET	0000-67-A43A-6F	1		
13			0000-67-A44A-6F	2		
14		CLAMP NO. 6, HOSE	0000-67-1998-14	2		
15			0000-67-1998-13	1	W/LARGE HOLE	
16		TY-RAP	0000-67-X60A-00	4		
17		NUT, HEX	0000-67-1981-86	1	8MM	
18		CLAMP, HOSE	0000-67-1970-62	1	STAND-OFF BRACKET, 90 DEG. TO FENDER WELL	
19		CLAMP NO. 8, HOSE	0000-67-A46A-3F	1		
20		CLAMP NO. 10, HOSE	0000-67-1998-16	2		
21		CLAMP, HOSE	0000-67-0011-62	1	STAND-OFF BRACKET, 90 DEG. TO FIREWALL	
22		NUT, KEPS	0000-67-1997-59	5	ZINC, NO. 10 X 32	
23			0000-67-1982-33	4	ZINC, 1/4 X 20	
24		SCREW, MACHINE	0000-67-1997-24	5	ZINC, NO. 10-32 X 1/2 PH	
25		FLATWASHER	0000-67-0402-83	4	ZINC, 1/4	
26		SCREW, TAPPING	0000-67-X30A-01	12	NO. 10 X 1/2	
27		PROTECTOR, HOSE	0000-67-1977-07	2	4	
28		BOLT, HEX	0000-67-1997-27	2	1/4-20 X 1/2	
29		CORD CLIP ASSEMBLY, HIGH TENSION	0000-67-1978-35	1		

6132A-2 CONDENSER PACKAGE ('81 MODEL)



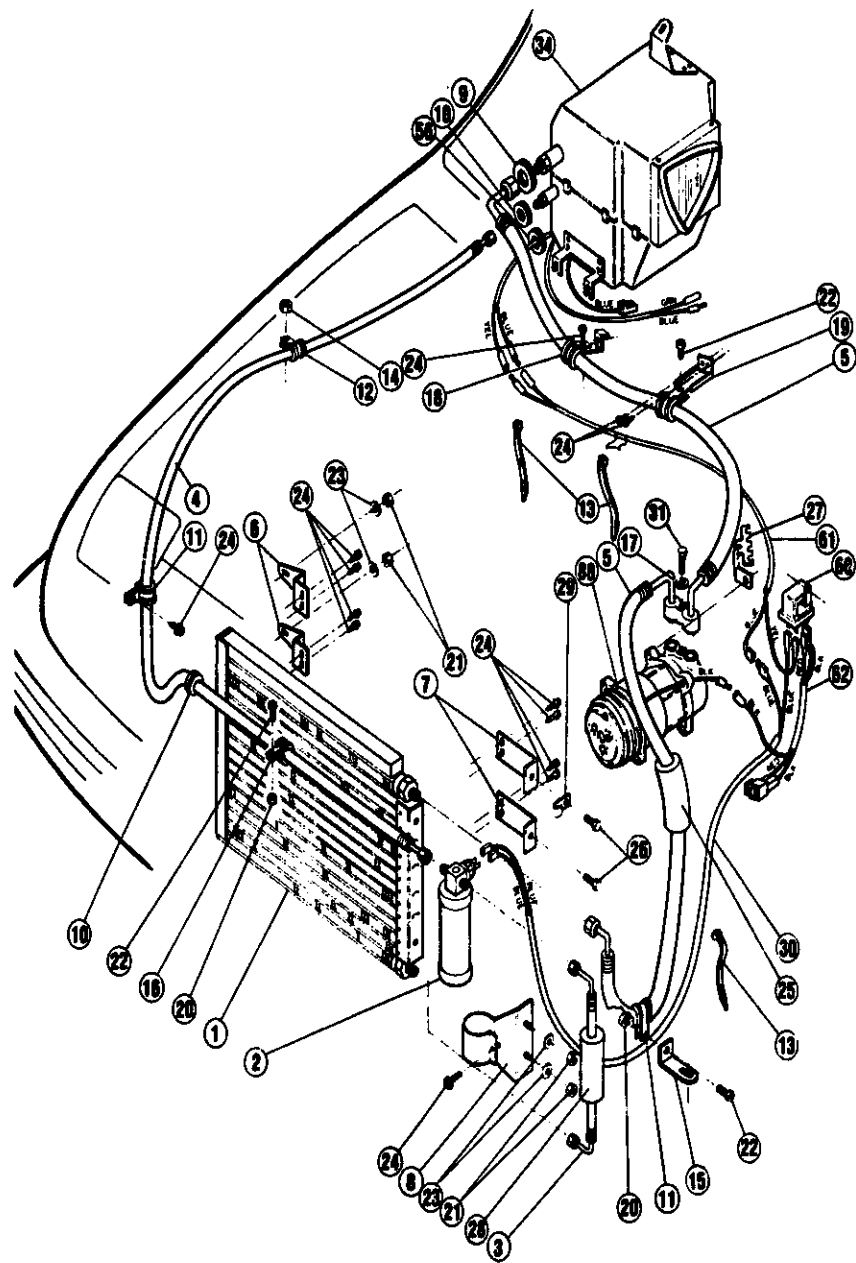
ITEM NO.	D-CODE	DESCRIPTION	PART NO.	QTY	MODEL/DESCRIPTION	REMARKS
29		PROTECTOR, HOSE	0000-67-1977-09	1	6	
30		CLAMP, WIRE HARNESS	0000-67-1977-89	1		
31		HARNESS, WIRE	0000-67-1977-99			

6132AB-1 CONDENSER PACKAGE ('82 MODEL)



ITEM NO.	D-CODE	DESCRIPTION	PART NO.	QTY	MODEL/DESCRIPTION	REMARKS
1		CONDENSER	0000-67-1285-08	1		
2		RECEIVER-DRIER	0000-67-0440-53	1	W/ 0000-67-A93A-3F, SLOW PRESSURE SWITCH	
3		HOSE, LIQUID	0000-67-0652-70	1	(COND.-REC./DRIER) 3/8 O-RING 90 DEG. X 3/8 O-RING 90 DEG. X 18	
4			0000-67-0652-71	1	(RECEIVER/DRIER-EVAPORATOR) 3/8 O-RING X 3/8 O-RING X 66	
5		HOSE ASSEMBLY	0000-67-1970-27	1	SUCTION-DISCHARGE W/ TUBE BLOCK 0000-67-1978-02	
6		CONDENSER SACK KIT	0000-67-1478-05	1		
7		BRACKET (R), CONDENSER	0000-67-0007-44	2		
8		BRACKET (L), CONDENSER	0000-67-0007-45	2		
9		BRACKET, MOUNTING-RECEIVER/DRIER	0000-67-0011-83	1		
10		GROMMET	0000-67-A43A-6F	1		
11		GROMMET	0000-67-A44A-6F	2		
12		CLAMP NO. 6, HOSE	0000-67-1998-14	2		
13		CLAMP NO. 6, HOSE	0000-67-1998-13	1	W/ LARGE HOLE	
14		TY-RAP	0000-67-X60A-00	4		
15		NUT, HEX	0000-67-1981-86	1	8MM	
16		CLAMP, HOSE	0000-67-0007-47	1	STAND-OFF BRACKET 90 DEG. TO FENDER WELL	
17		CLAMP NO. 8, HOSE	0000-67-A46A-3F	1		
18		FLATWASHER	0000-67-1983-82	1	10MM X 0.82 OD	
19		CLAMP/BRACKET, HOSE	0000-67-0011-61	1	RIGHT FIREWALL	
20		CLAMP/BRACKET, HOSE	0000-67-0011-62	1	LEFT FIREWALL	
21		NUT, KEPS	0000-67-1997-59	3	ZINC, NO. 10-32	
22		NUT, KEPS	0000-67-1982-33	4	ZINC, 1/4-20	
23		SCREW, MACHINE	0000-67-1997-24	3	ZINC, NO. 10-32 X 1/2 PH	
24		FLATWASHER	0000-67-0402-83	4	ZINC, 1/4	
25		SCREW, TAPPING	0000-67-X30A-01	14	NO. 10 X 1/2	
26		PROTECTOR, HOSE	0000-67-1977-07	1	4	
27		BOLT, HEX	0000-67-1997-27	2	1/4-20 X 1/2	
28		CORD CLIP ASSEMBLY, HIGH TENSION	0000-67-1978-35	1		
29		PROTECTOR, HOSE	0000-67-1977-09	1	6	
30		CLAMP, WIRE HARNESS	0000-67-1977-89	1		
31		HARNESS, WIRE	0000-67-1977-99	1		

6132AB-2 CONDENSER PACKAGE ('82 MODEL)

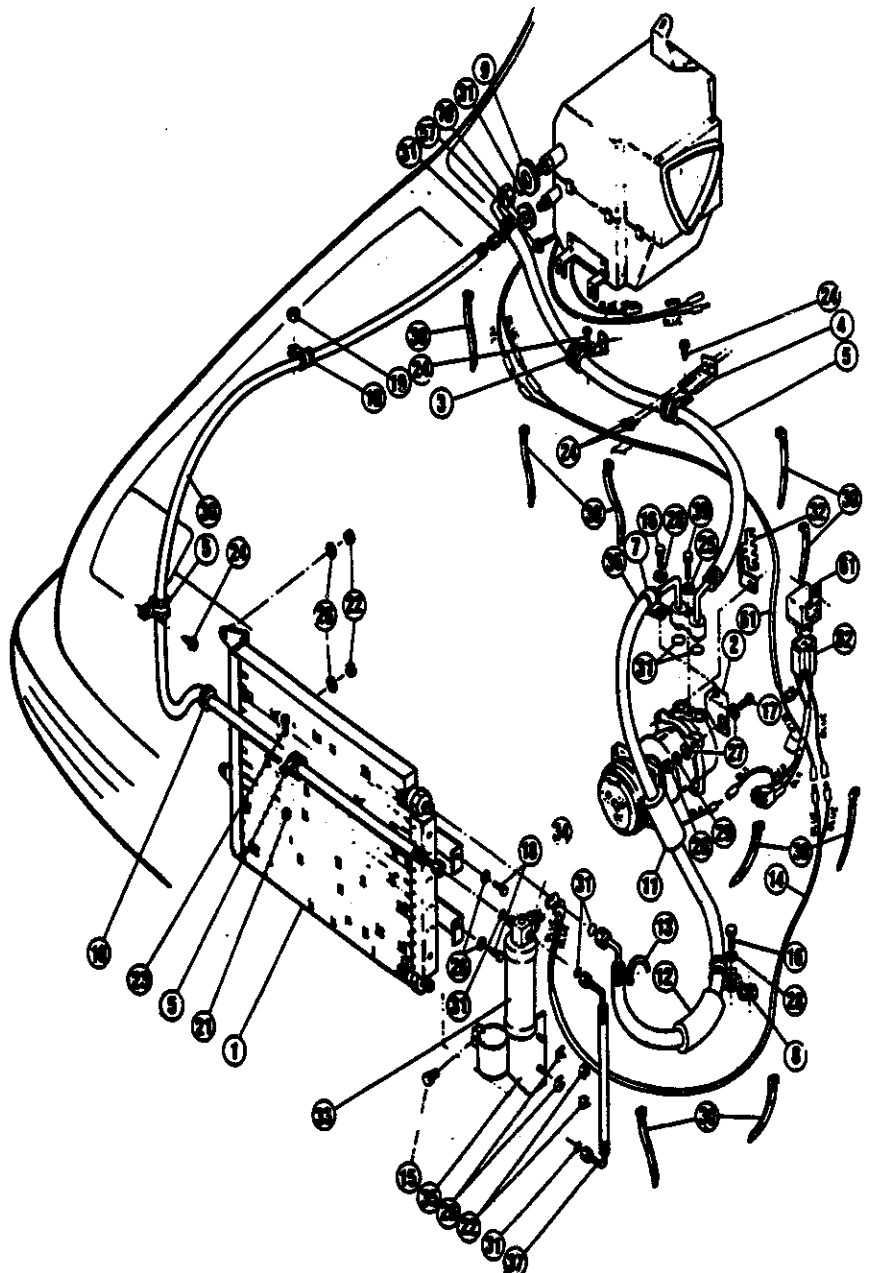


ITEM NO.	D-CODE	DESCRIPTION	PART NO.	QTY	MODEL/DESCRIPTION	REMARKS
31		BOLT	0000-67-6716-50	1	10MM-1.00 X 35MM	
		O-RING PACKAGE SET	0000-67-0123-38	1	FOR HOSE & COMPRESSOR FITTING	

SECTION INDEX -- BODY

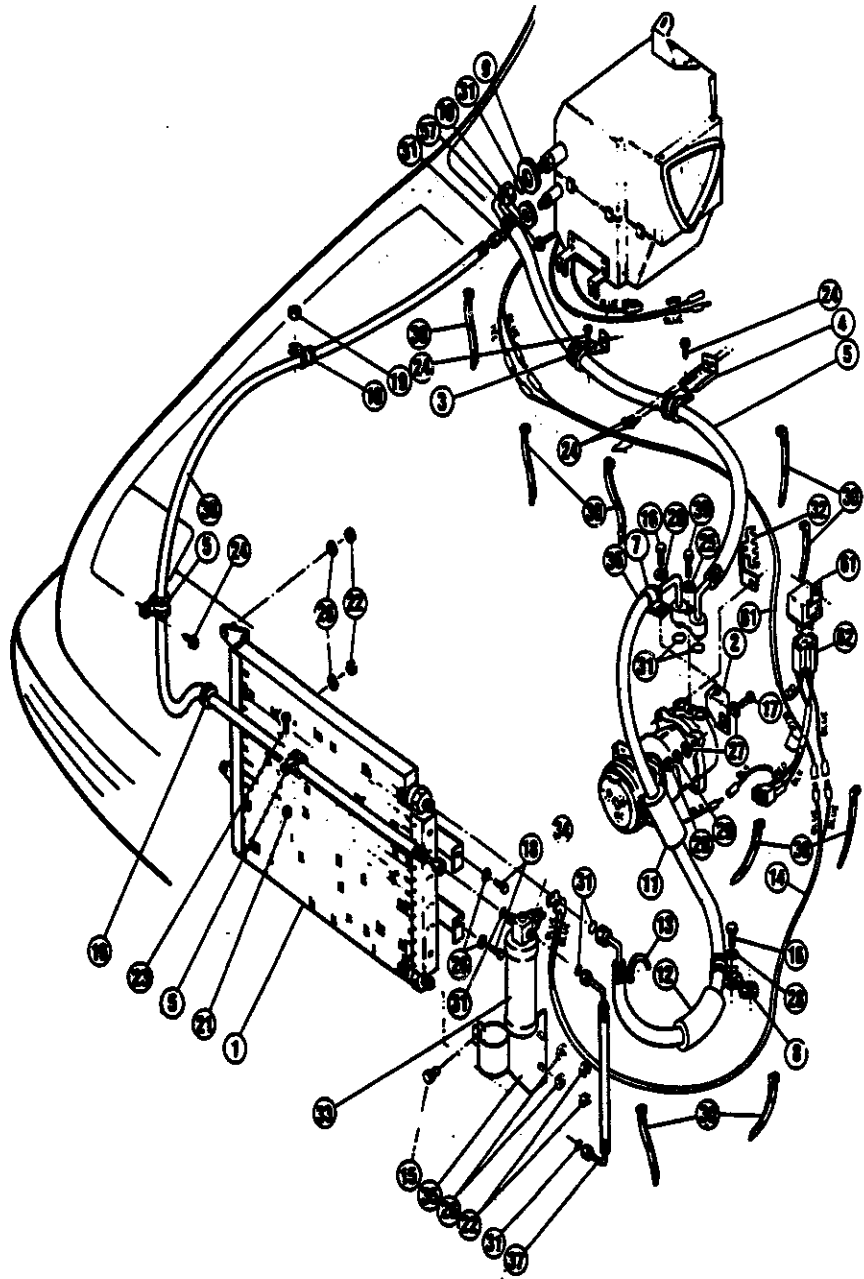
STARTING LOCATION	SECT. NO.	SECTION NAME	STARTING LOCATION	SECT. NO.	SECTION NAME	STARTING LOCATION	SECT. NO.	SECTION NAME
2 - C 3	09-3A	KEY SETS	2 - E 8	6142A	COMPRESSOR MOUNTING KIT, COMPRESSOR/CLUTCH ASSEMBLY & REPAIR PARTS ('81 MODEL)	2 - H 11	6870A	SERVICE TOOLS
2 - D 3	5000A	FRONT BUMPER	2 - F 8	6142AB	COMPRESSOR MOUNTING KIT, COMPRESSOR/CLUTCH ASSEMBLY & REPAIR PARTS ('82 MODEL)	2 - I 11	6900A	VISOR, ASSIST HANDLE & MIRRORS
2 - E 3	5005A	RADIATOR GRILLE	2 - G 8	6142AC	COMPRESSOR MOUNTING KIT, COMPRESSOR/CLUTCH ASSEMBLY & REPAIR PARTS ('83 MODEL)	2 - L 11	6930A	CAUTION PLATES
2 - F 3	5010A	REAR BUMPER	2 - H 8	6152A	EVAPORATOR PACKAGE ('81 MODEL)			
2 - G 3	5030A	WINDOW MOULDINGS	2 - I 8	6152AB	EVAPORATOR PACKAGE ('82 MODEL)			
2 - H 3	5040A	BODY MOULDINGS	2 - J 8	6152AC	EVAPORATOR PACKAGE ('83 MODEL)			
2 - I 3	5060A	SIDE PROTECTORS	2 - K 8	6230A	BACK DOOR MECHANISM			
2 - J 3	5100A	HEAD LAMPS	2 - L 8	6300A	WINDOW GLASSES			
2 - K 3	5103A	HEAD LAMP RETRACTORS	2 - M 8	6330A	SUNROOF (GS1)			
2 - L 3	5125A	FRONT COMBINATION & SIDE TURN LAMPS	2 - N 8	6600A	SWITCH & RELAY (ENGINE & TRANSMISSION)			
2 - M 3	5110A	REAR COMBINATION LAMPS						
2 - N 3	5120A	LICENSE & REAR SIDE TURN LAMPS						
2 - C 4	5125A	INTERIOR LAMPS (GS & GS1)						
2 - D 4	5170A	ORNAMENTS						
2 - E 4	5180A	COWL & EXTRACTOR GRILLES						
2 - F 4	5230A	HOOD	2 - C 9	6610A	DASHBOARD SWITCHES (MANUAL OPERATING)			
2 - G 4	5310A	BODY PANELS (FRONT)	2 - D 9	6611A	COMBINATION SWITCH			
2 - I 4	5340A	BODY PANELS (SIDE & ROOF)	2 - E 9	6615A	POWER WINDOW SWITCH			
2 - J 4	5360A	BODY PANELS (FLOOR)	2 - F 9	6620A	DOOR, PARKING LAMP & KICK DOWN SWITCH			
2 - K 4	5370A	FLOOR ATTACHMENTS	2 - G 9	6630A	RELAY (BODY)			
2 - L 4	5500A	DASHBOARD EQUIPMENT	2 - H 9	6635A	HORN			
2 - N 4	5540A	METERS	2 - I 9	6640A	AUTO CRUISE CONTROL			
2 - C 5	5560A	DASHBOARD & RELATED	2 - J 9	6680A	AUDIO SYSTEM			
2 - E 5	5570A	CONSOLE	2 - M 9	6700A	WIRE HARNESS (FRONT & REAR)			
2 - G 5	5580A	VENTILATOR	2 - N 9	6701A	WIRE HARNESS (ENGINE & TRANSMISSION)			
2 - H 5	5700A	SEATS ('81 & '82) MODELS	2 - C 10	6702A	WIRE HARNESS (DASHBOARD)			
2 - C 6	5700AA	SEATS ('83 MOD' L)	2 - D 10	6703A	WIRE HARNESS (DOOR, FLOOR & CEILING)			
2 - H 6	5790A	SEAT BELTS	2 - E 10	6704A	WIRE HARNESS CLAMPS			
2 - J 6	5800A	FRONT DOOR	2 - F 10	6720A	WINDSHIELD WASHER			
2 - K 6	5830A	FRONT DOOR MECHANISM	2 - G 10	6730A	WINDSHIELD WIPER			
2 - C 7	5840A	FRONT DOOR TRIM & RELATED PARTS	2 - H 10	6740A	WIPER MOTOR (COMPONENTS ONLY)			
2 - F 7	6100A	HEATER	2 - I 10	6750A	REAR WINDOW WIPER & WASHER			
2 - G 7	6110A	HEATER UNIT	2 - J 10	6760A	REAR WINDOW WIPER MOTOR (COMPONENTS ONLY)			
2 - H 7	6115A	HEATER CONTROLS	2 - K 10	6800A	CEILING TRIM			
2 - I 7	6120A	HEATER BLOWER	2 - C 11	6840A	TRIM & SCUFF PLATE			
2 - J 7	6132A	CONDENSER PACKAGE ('81 MODEL)	2 - F 11	6860A	FLOOR MATS & PADS			
2 - L 7	6132AB	CONDENSER PACKAGE ('82 MODEL)						
2 - C 8	6132AC	CONDENSER PACKAGE ('83 MODEL)						

6132AC-1 CONDENSER PACKAGE ('83 MODEL)



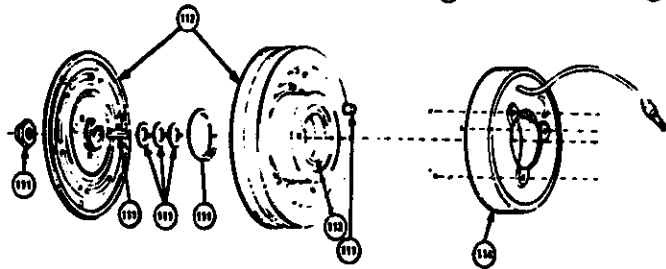
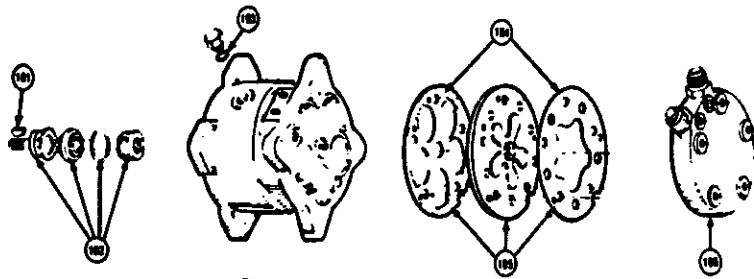
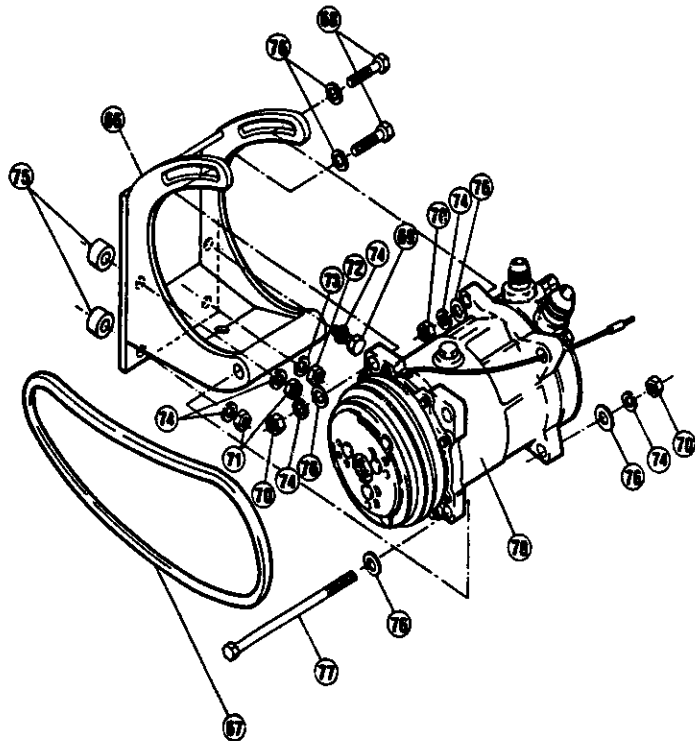
ITEM NO.	D-CODE	DESCRIPTION	PART NO.	QTY	MODEL/DESCRIPTION	REMARKS
1		CONDENSER ASSEMBLY	0000-67-1285-08	1		
2		SACK KIT, CONDENSER	0000-67-A20A-3A	1		
2		BRACKET, HOSE CLAMP	0000-67-0012-72	1		
3			0000-67-0011-61	1		
4			0000-67-0011-62	1		
5		CLAMP NO. 6, HOSE	0000-67-1998-14	2		
6			0000-67-1998-13	1	W/ LARGE HOLE	
7		CLAMP, HOSE	0000-67-1970-63	1		
8			0000-67-1970-62	1		
9		GROMMET	0000-67-A43A-6F	1		
10			0000-67-A44A-6F	2		
11		PROTECTOR, HOSE	0000-67-1977-07	1	4	
12			0000-67-1977-09	1	6	
13			0000-67-A50A-3A	1	EDGE TRIM, 2.8	
14		HARNES, WIRE	0000-67-1977-99	1		
15		BOLT, HEX	0000-67-1997-16	1	ZINC, 6MM X 20MM	
16			0000-67-1997-86	2	ZINC, 6MM X 16MM	
17			0000-67-6715-56	1	10MM X 1.5 X 30MM-14MM	
18			0000-67-1997-27	2	1/4 X 20 1/2	
19		NUT, HEX	0000-67-1981-86	1	8MM X 1.25	
20			0000-67-1981-82	1	10MM X 1.5	
21		NUT, KEPS	0000-67-1997-57	1	ZINC, NO. 10-32	
22			0000-67-1982-33	4	ZINC, 1/4-20	
23		SCREW	0000-67-1997-24	1	ZINC, NO. 10-32 X 1/2 PH	
24		SCREW, TAPPING	0000-67-X30A-01	5	ZINC, NO. 10 X 1/2 HWH	
25		FLATWASHER	0000-67-1983-82	1	ZINC, 10MM W/ 0.708 OD	
26			0000-67-0402-83	6	ZINC, 1/4	
27			0000-67-1981-83	2	ZINC, 10MM	
28		LOCKWASHER	0000-67-X40M-04	2	6MM	
29			0000-67-X40M-03	1	10MM	
30		TY-RAP	0000-67-X60A-00	9	6	
31		O-RING PACKAGE SET	0000-67-0123-38	1	SET FOR HOSE & COMPRESSOR	
32		CORD CLIP ASSEMBLY, HIGH TENSION	0000-67-1478-35	1		
		RECEIVER-DRIER ASSEMBLY	0000-67-0440-53	1		
33		RECEIVER-DRIER	0000-67-A90A-3A	1		
34		SWITCH, LOW-PRESSURE CUT-OFF	0000-67-A93A-3F	1		

6132AC-2 CONDENSER PACKAGE ('83 MODEL)



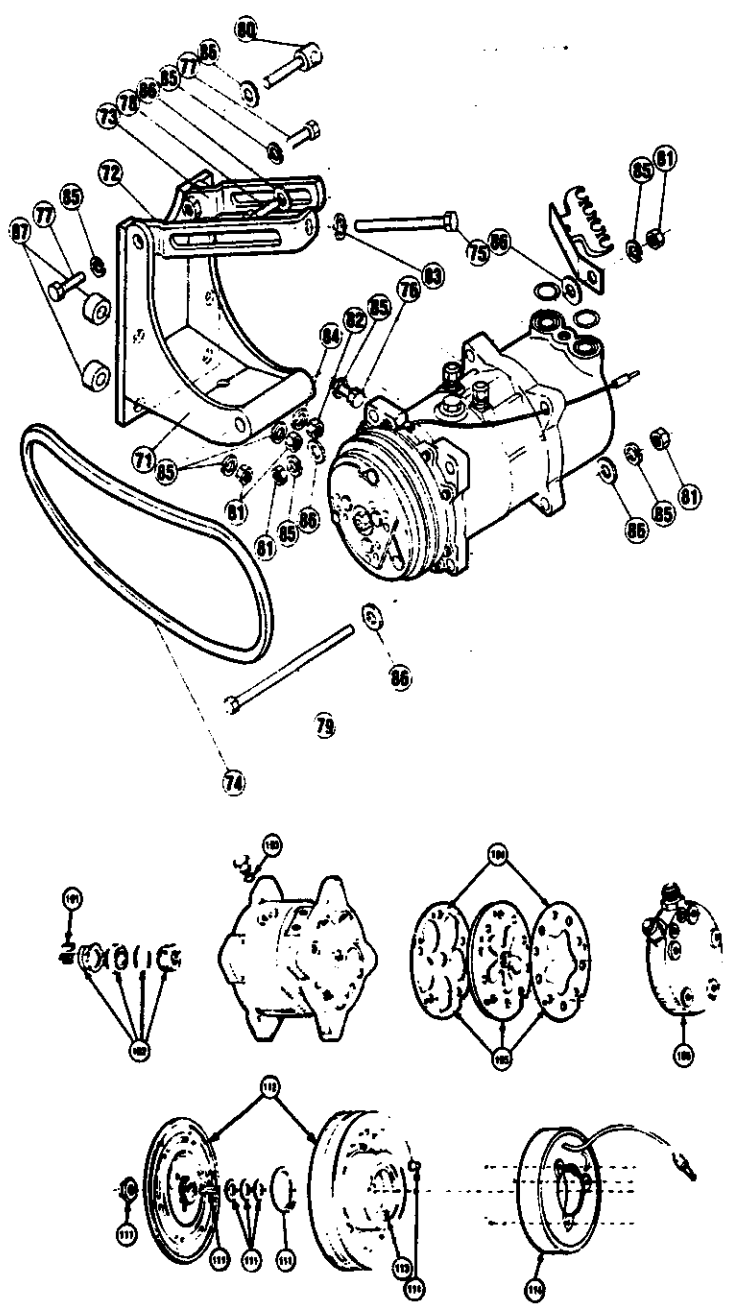
ITEM NO.	D-CODE	DESCRIPTION	PART NO.	QTY	MODEL/DESCRIPTION	REMARKS
35		BRACKET, RECEIVER-DRIER	0000-67-0011-83	1		
36		HOSE BLOCK ASSEMBLY	0000-67-1970-27	1	DISCHARGE-SUCTION	
37		HOSE, LIQUID	0000-67-0652-70	1	(COMP.-REC./DRIER) 3/8 O-RING 90 DEG. X 3/8 O-RING 90 DEG. X 18	
38			0000-67-0652-71	1	(RECEIVER/DRIER- EVAPORATOR) 3/8 O-RING X 3/8 O- RING X 66	
39		BOLT, COMPRESSOR	0000-67-6716-50	1	10MM X 1.00 X 35MM	

6142A-1 COMPRESSOR MOUNTING KIT, COMPRESSOR/CLUTCH ASSEMBLY & REPAIR PARTS ('81 MODEL)



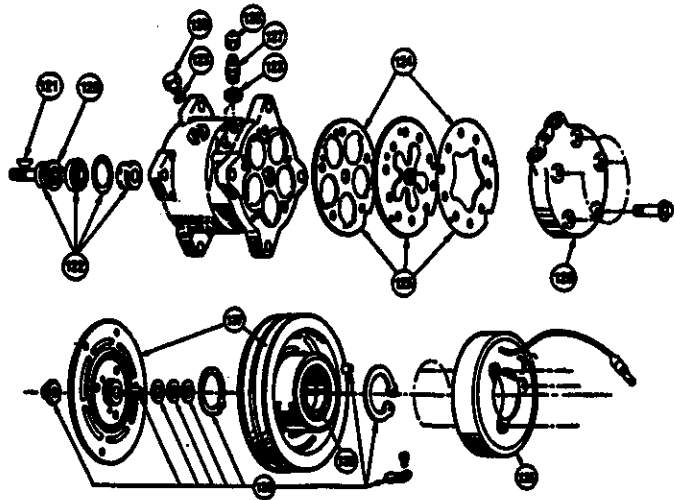
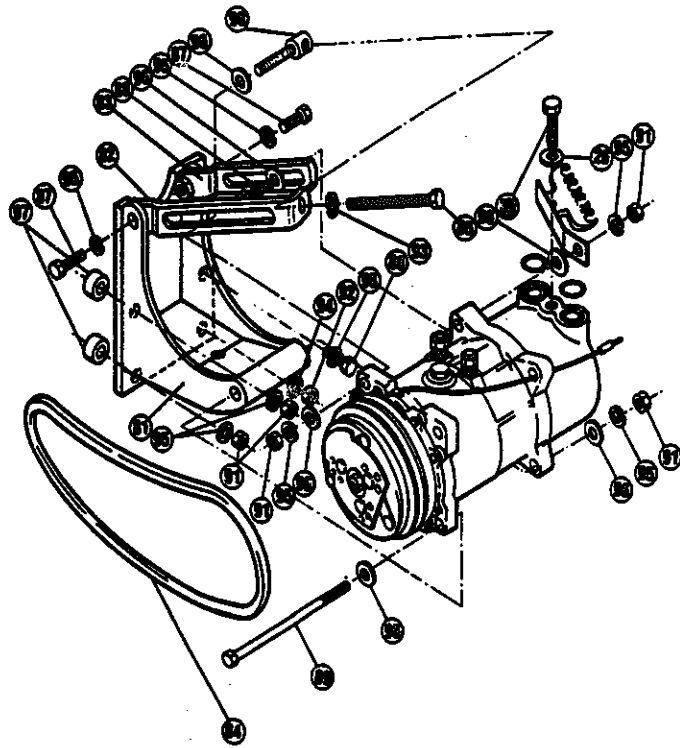
ITEM NO.	D-CODE	DESCRIPTION	PART NO.	QTY	MODEL/DESCRIPTION	REMARKS
		ADAPTER KIT	0000-67-0052-34	1	USE W/ 0000-67-0070-99 COMPRESSOR/CLUTCH	
66		BRACKET, MOUNTING-COMPRESSOR	0000-67-5234-01	1		
67		BELT, DRIVE	0000-67-C31A-6A	1	(436)	
		BOLT SACK KIT	0000-67-5234-03	1		
68		BOLT	0000-67-1982-40	1	3/8 X 1 1/2 NC	
69			0000-67-1983-70	1	10MM X 1.25 X 20	
70		NUT	0000-67-1983-77	3	3/8 NC	
71				2	10MM X 1.25	
72			0000-67-1983-76	1	12MM X 1.5	
73		LOCKWASHER	0000-67-X40A-01	1	1/2	
74			9997-11-000	6	10MM	
75		SPACER	0000-67-5234-04	2	3/4 X 7/16 X 3/8	
76		FLATWASHER	0000-67-1983-75	6	3/8 X 1/8	
77		BOLT	0000-67-1983-71	1	3/8 NC X 5 1/2	
		COMPRESSOR/CLUTCH	0000-67-0070-99	1	(SANKYO 8390)	
		COMPRESSOR	0000-67-0070-88	1	(SANKYO 8366) SD 508	
101		KEY, SHAFT	0000-67-D11A-6A	1		
102		SEAL KIT	0000-67-D12A-3B	1		
103		O-RING SET	0000-67-0123-40	1	PACKAGE OF 10	
104		GASKET KIT	0000-67-D13B-3B	1		
105		VALVE PLATE ASSEMBLY	0000-67-D14B-3B	1		
106		HEAD, CYLINDER	0000-67-0127-10	1		
		CLUTCH	0000-67-0229-37	1	5 1/4	
111		ACCESSORY KIT	0000-67-1410-13	1		
112		FRONT PLATE & RECEIVER	0000-67-0233-37	1		
113		BEARING	0000-67-D23A-3B	1		
114		COIL, FIELD	0000-67-0232-37	1		

6142AB-1 COMPRESSOR MOUNTING KIT, COMPRESSOR/CLUTCH ASSEMBLY & REPAIR PARTS ('82 MODEL)



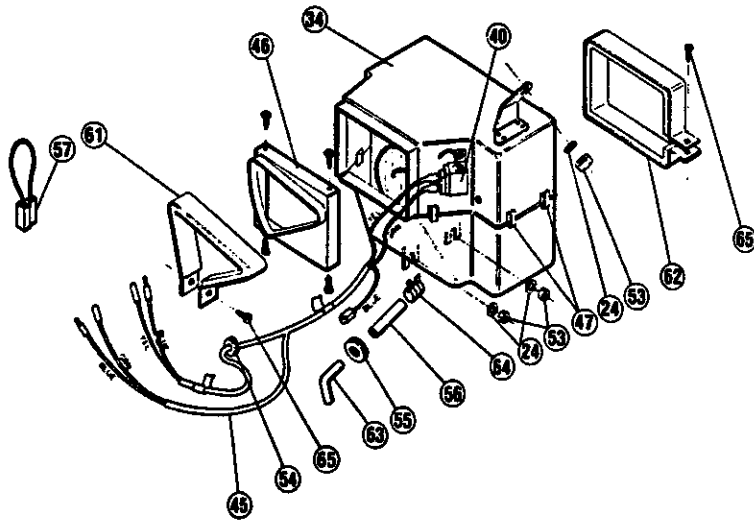
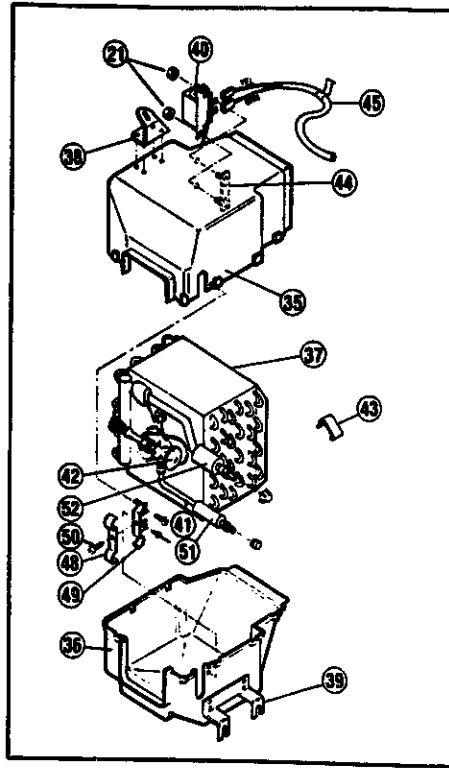
ITEM NO.	D-CODE	DESCRIPTION	PART NO.	QTY	MODEL/DESCRIPTION	REMARKS
		ADAPTER KIT	0000-67-C00A-4A	1	USE W/ 0000-67-D00B-3A	
71		MOUNTING, COMPRESSOR	0000-67-C10A-4A	1		
72		ARM, ADJUSTING-FRONT	0000-67-C21A-4A	1	W/ 90	
73		ARM, ADJUSTING-REAR	0000-67-C22A-4A	1	FLAT	
74		BELT, DRIVE	0000-67-5409-03	1	(17385)	
		BOLT SACK KIT	0000-67-5409-02	1		
75		BOLT, HEX	0000-67-X10M-13	1	8MM-1.25 X 85MM	
76			0000-67-1983-70	1	10MM-1.25 X 20MM	
77			0000-67-1981-79	2	10MM-1.25 X 25MM	
78			0000-67-X10M-25	1	10MM-1.25 X 45MM	
79			0000-67-6716-17	1	10MM-1.25 X 115MM	
80		BOLT	0000-67-X10A-06	1		
81		NUT, HEX	0000-67-1983-77	5	10MM-1.25	
82			0000-67-1983-76	1	12MM-1.50	
83		LOCKWASHER	0000-67-1976-92	1	5/16	
84			0000-67-X40A-01	1	1/2	
85			0000-67-X40M-03	8	10MM	
86		FLATWASHER	0000-67-0970-17	6		
87		SPACER, MOUNTING	0000-67-1983-69	2	3/8 X 3/4 OD-7/16 ID	
		COMPRESSOR/CLUTCH	0000-67-D00B-3A	1	(SANKYO 9157)	
		COMPRESSOR	0000-67-0121-39	1	(SANKYO 1573)	
101		KEY, SHAFT	0000-67-0127-16	1		
102		SEAL KIT	0000-67-0124-26	1		
103		O-RING SET	0000-67-0123-40	1	PACKAGE OF 10	
104		GASKET KIT	0000-67-D13B-3B	1		
105		VALVE PLATE ASSEMBLY	0000-67-D14B-3B	1		
106		HEAD, CYLINDER	0000-67-0127-08	1		
		CLUTCH	0000-67-0229-58	1	5	
111		ACCESSORY KIT	0000-67-0234-00	1		
112		FRONT PLATE & ROTOR	0000-67-0233-15	1		
113		BEARING	0000-67-D23A-6A	1		
114		COIL, FIELD	0000-67-0232-43	1		

6142AC-1 COMPRESSOR MOUNTING KIT, COMPRESSOR/CLUTCH ASSEMBLY & REPAIR PARTS ('83 MODEL)



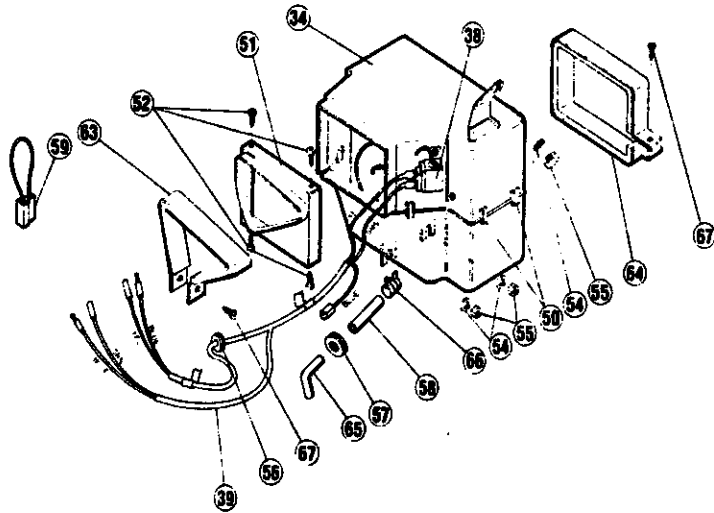
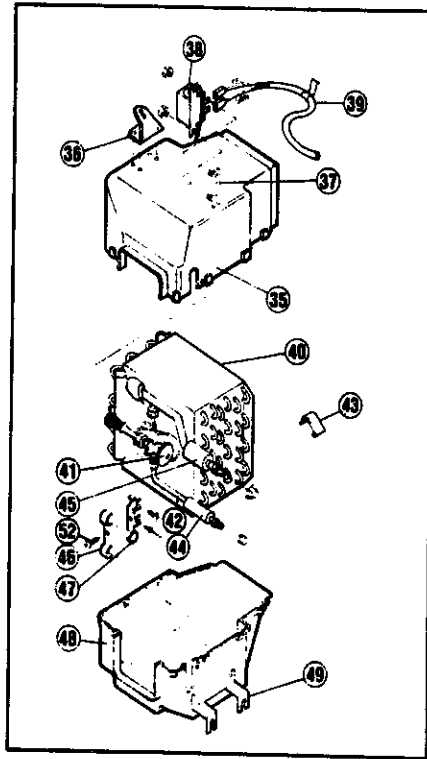
ITEM NO.	D-CODE	DESCRIPTION	PART NO.	QTY	MODEL/DESCRIPTION	REMARKS
		ADAPTER KIT	0000-67-C00A-4A	1	USE W/ 0000-67-D00B-3A	
		COMPRESSOR/CLUTCH				
81		MOUNTING, COMPRESSOR	0000-67-C10A-4A	1		
82		ARM, ADJUSTING-FRONT	0000-67-C21A-4A	1		
83		ARM, ADJUSTING-REAR	0000-67-C22A-4A	1		
84		BELT, DRIVE	0000-67-5409-03	1	(17385)	
		BOLT SACK KIT	0000-67-5409-02	1		
85		BOLT, HEX	0000-67-X10M-13	1	8MM X 1.25 X 85MM	
86			0000-67-1983-70	1	10MM X 1.25 X 20MM	
87			0000-67-1981-79	2	10MM X 1025 X 25MM	
88			0000-67-X10M-25	1	10MM X 1.25 X 40MM	
89			0000-67-6716-17	1	10MM X 1.25 X 120MM	
90		BOLT	0000-67-X10A-06	1	10MM X 45MM W/ 8MM HOLE	
91		NUT, HEX	0000-67-1983-77	1	10MM X 1.25	
92			0000-67-1983-76	1	12MM X 1.5	
93		LOCKWASHER	0000-67-1976-92	1	5/16	
94			0000-67-X40A-01	1	1/2	
95			0000-67-X40M-03	8	10MM	
96		FLATWASHER	0000-67-0970-17	6	10MM	
97		SPACER, MOUNTING	0000-67-1983-69	2		
		COMPRESSOR/CLUTCH	0000-67-D00B-3A	1	(SANKYO 9165)	
		COMPRESSOR	0000-67-D10A-3A	1	(SANKYO 1653)	
121		KEY, SHAFT	0000-67-D11A-3A	1		
122		SEAL KIT	0000-67-0124-26	1		
123		O-RING SET	0000-67-0123-40	1	PACKAGE OF 10	
124		GASKET KIT	0000-67-D13B-3B	1	GASKET KIT	
125		VALVE PLATE ASSEMBLY	0000-67-D14B-3B	1		
126		HEAD, CYLINDER	0000-67-0127-08	1		
127		PORT, SERVICE	0000-67-D16A-3A	2	W/ VALVE	
128		CAP, SCHRADER VALVE	0000-67-D17A-3A	1	PACKAGE OF 10	
129		RING, SNAP-SEAL SET	0000-67-D18A-3A	1		
130		PLUG, OIL FILLER	0000-67-D19A-3A	1		
		CLUTCH	0000-67-D20A-3A	1	5	
136		ACCESSORY KIT	0000-67-D21A-3A	1		
137		FRONT PLATE & ROTOR	0000-67-D22A-3A	1		
138		BEARING	0000-67-D23A-6A	1		
139		COIL, FIELD	0000-67-D24A-3A	1		

6152A-1 EVAPORATOR PACKAGE ('81 MODEL)



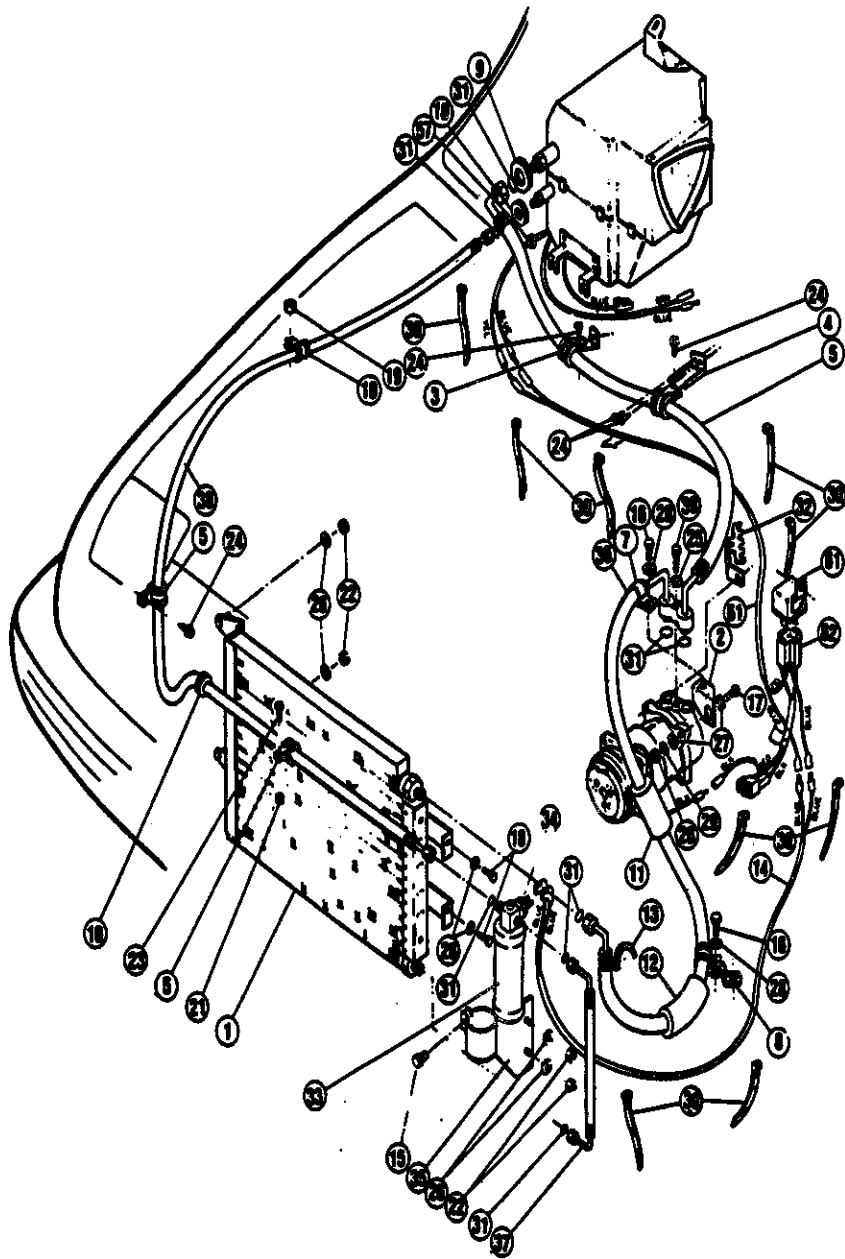
ITEM NO.	D-CODE	DESCRIPTION	PART NO.	QTY	MODEL/DESCRIPTION	REMARKS
34		EVAPORATOR ASSEMBLY	0000-67-2382-79	1		
36		CASE, TOP	0000-67-M00A-3A	1	INJECTION MOULDED	
36		CASE, BOTTOM		1	W/ DRAIN PLATE & DRAIN TUBE	
37		COIL, EVAPORATOR	0000-67-1998-51	1	FOR EXTERIOR EQUALIZED VALVE	
38		BRACKET, CASE-TOP	0000-67-0008-79	1		
39		BRACKET, CASE-BOTTOM	0000-67-M00A-3A	1		
40		SWITCH, THERMOSTAT-PRESET FROSTING	0000-67-0958-17	1		
41		TUBE, ALUMINUM EXTENSION	0000-67-1995-39	1		
42		VALVE, EXPANSION-EXTENSION EQUALIZED	0000-67-0336-80	1		
43		CLAMP NO. 1, BULB	0000-67-B44A-3B	1		
44		BRACKET, MOUNTING-THERMOSTAT	0000-67-0007-37	1		
45		HARNES ASSEMBLY, WIRING	0000-67-1998-49	1		
46		CASE, TRANSITION	0000-67-1977-34	1	INJECTION MOULDED	
47		CLIP, RETAINER	0000-67-1977-25	8		
48		CLIP, EVAPORATOR COIL PIPE	0000-67-0010-63	1		
49			0000-67-0010-64	1		
50		SCREW, TAPPING	0000-67-1982-26	1	NO. 10 X 1/2 PH	
51		PROTECTOR, TUBE	0000-67-1981-03	1	7/16 ID X 7/8 OD X 2 3/4	
52			0000-67-1981-40	1	5/8 ID X 1 1/8 OD X 2 1/2	
		EVAPORATOR SCREW KIT	0000-67-1478-36	1		
24		FLATWASHER	0000-67-0402-83	3	1/4	
53		NUT, HEX	0000-67-0411-12	3	6MM	
54		GROMMET, WIRE HARNES	0000-67-1992-98	1	1/2 X 13/16	
55		GROMMET, DRAIN HOSE	0000-67-862A-4A	1	1/2 X 3/8	
56		HOSE, DRAIN	0000-67-1977-05	1	1/2 ID X 4 1/2	
57		CONNECTOR, WIRE	0000-67-1998-83	1		
58		RELAY	0000-67-0957-22	1		
59		HARNES, WIRE	0000-67-1978-37	1		
60		WIRE, JUMPER	0000-67-1977-27	1		
61		SEAL, RING	0000-67-0007-42	1		
62		SEAL, PLATE-TOP	0000-67-0007-41	1		
63		ELBOW, PLASTIC	0000-67-1995-30	1	90 DEG., 1/2 OD	
64		CLAMP, DRAIN HOSE	0000-67-1988-67	1		
65		SCREW, TAPPING	0000-67-1983-78	2	NO. 10 X 3/4 PH	
21		NUT, KEPS	0000-67-1997-59	2	NO. 10 X 32	

6152AB-1 EVAPORATOR PACKAGE ('82 MODEL)



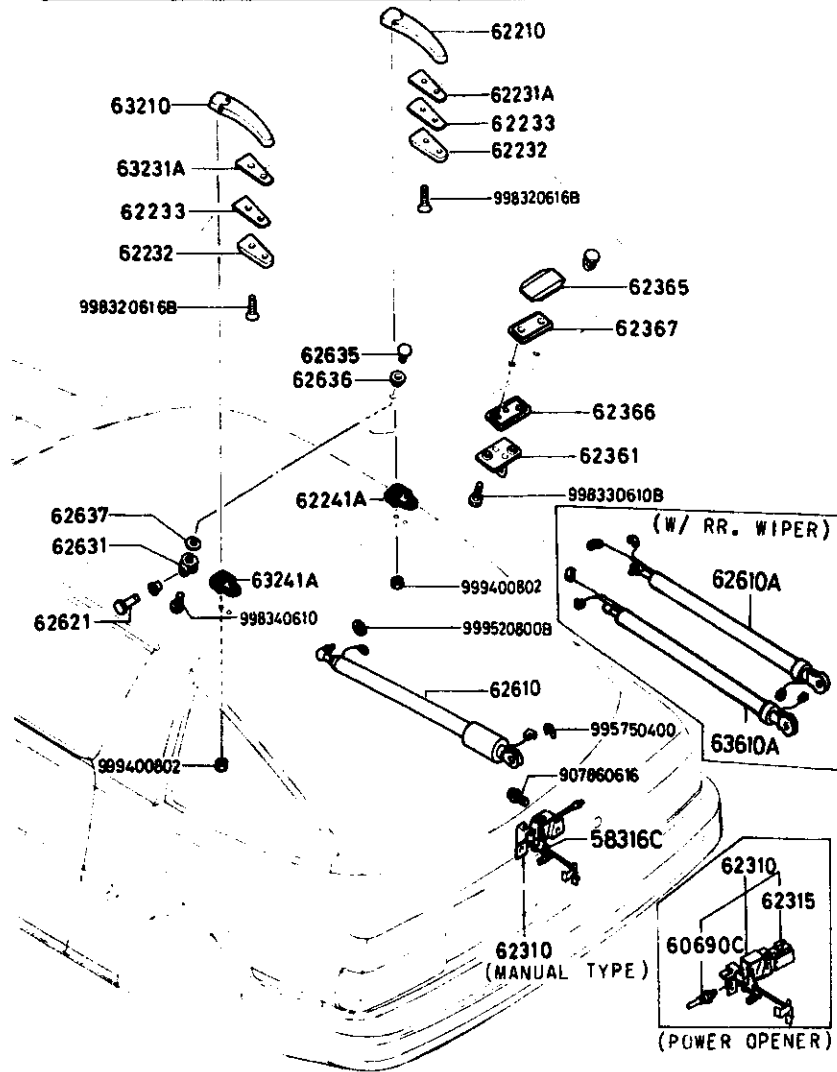
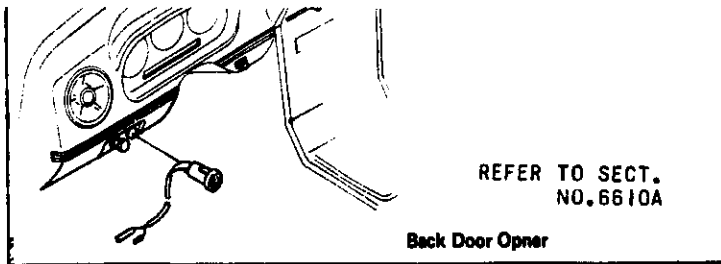
ITEM NO.	D-CODE	DESCRIPTION	PART NO.	QTY	MODEL/DESCRIPTION	REMARKS
34		EVAPORATOR ASSEMBLY	0000-67-2382-94	1		
35		CASE, TOP	0000-67-M00A-3A	1	INJECTION MOULDED	
36		BRACKET, CASE-TOP	0000-67-0008-79	1		
37		BRACKET, THERMOSTAT MOUNTING	0000-67-0007-37	1		
38		SWITCH, THERMOSTAT-PRESET FROSTING	0000-67-0958-17	1		
39		HARNES, WIRE	0000-67-1998-49	1		
40		COIL, EVAPORATOR	0000-67-830A-4A	1	FOR EXTENSION EQUALIZER VALVE	
		O-RING	0000-67-0123-21	1	FOR EXTENSION TUBE-EXPANSION VALVE CONNECTION	
41		VALVE, EXPANSION-EXTENSION EQUALIZER	0000-67-0336-81	1		
42		TUBE, ALUMINUM EXTENSION	0000-67-832A-4A	1		
43		CLAMP NO. 1, BULB	0000-67-B44A-3B	1		
44		PROTECTOR, TUBE	0000-67-1981-03	1	7/16 X 7/8 OD X 2 3/4	
45			0000-67-1981-40	1	5/8 ID X 1 1/8 OD X 2 1/2	
46		CLIP, EVAPORATOR COIL PIPE	0000-67-0010-63	1		
47			0000-67-0010-64	1		
48		CASE, BOTTOM	0000-67-M00A-3A	1	W/ DRAIN PLATE & DRAIN TUBE	
49		BRACKET, CASE-BOTTOM		1		
50		CLIP, RETAINER	0000-67-1977-25	8		
51		CASE, TRANSITION	0000-67-1977-34	1	INJECTION MOULDED	
52		SCREW, TAPPING	0000-67-1982-26	4	NO. 10 X 1/2 PH	
		EVAPORATOR SCREW KIT	0000-67-1478-36	1		
54		FLATWASHER	0000-67-0402-83	3	1/4	
55		NUT, HEX	0000-67-0411-12	3	6MM	
56		GROMMET	0000-67-1992-98	1	1/2 X 13/16	
57			0000-67-862A-4A	1	1/2 X 3/8	
58		HOSE, DRAIN	0000-67-0977-05	1	1/2 ID X 4 1/2	
59		CONNECTOR, WIRE	0000-67-1998-83	1		
60		RELAY	0000-67-882A-6P	1		
61		HARNES, WIRE	0000-67-1978-37	1		
62		WIRE, JUMPER	0000-67-1977-27	1		
63		SEAL, RING	0000-67-0007-42	1		
64		SEAL, TOP PLATE	0000-67-0007-41	1		
65		ELBOW, PLASTIC	0000-67-1995-30	1	90 DEG., 1/2 OD	
66		CLAMP, DRAIN HOSE	0000-67-1988-67	1		
67		SCREW, TAPPING	0000-67-1983-78	2	NO. 10 X 3/4 PH	

6152AC-1 EVAPORATOR PACKAGE ('83 MODEL)



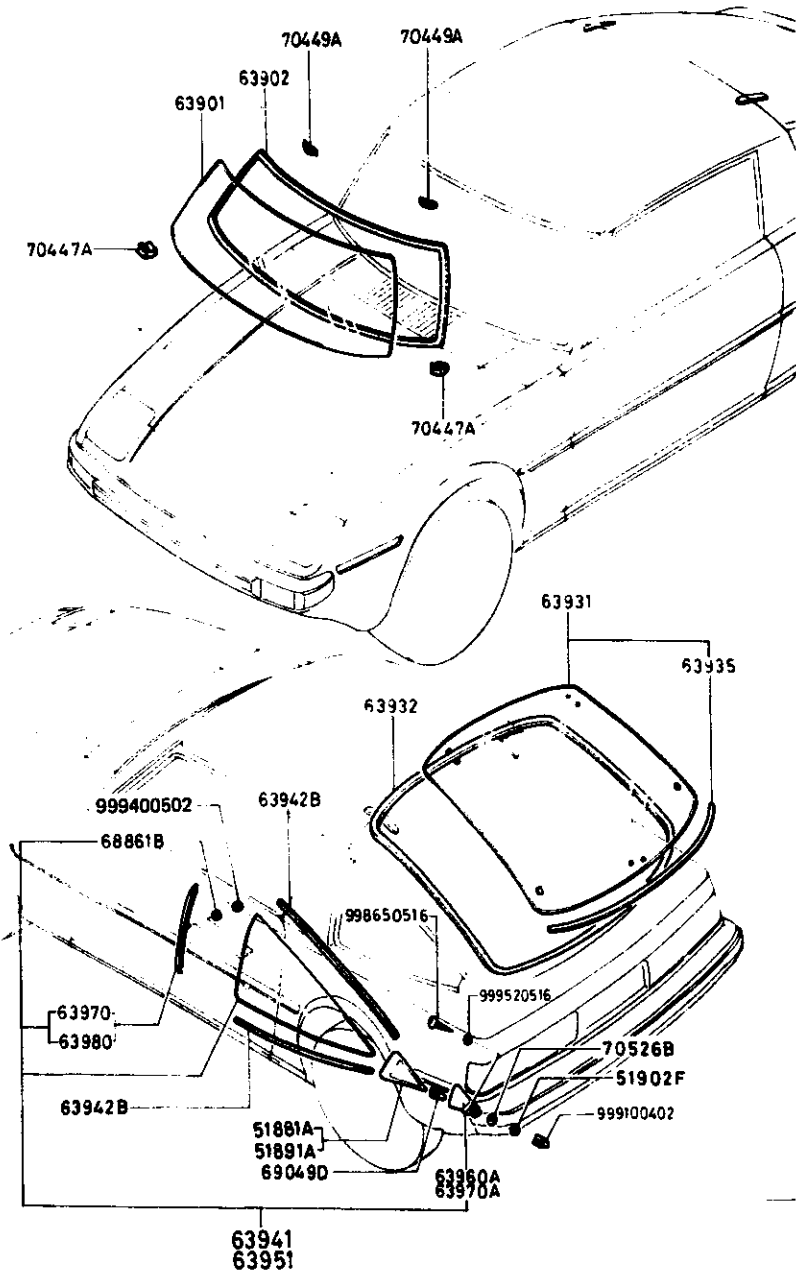
ITEM NO.	D-CODE	DESCRIPTION	PART NO.	QTY	MODEL/DESCRIPTION	REMARKS
41		EVAPORATOR ASSEMBLY	0000-67-2382-94	1		
42		CASE, TOP	0000-67-M00A-3A	1	INJECTION MOULDED	
43		CASE, BOTTOM		1	INJECTION MOULDED	
44		CASE, TRANSITION	0000-67-1977-34	1	INJECTION MOULDED	
45		COIL, EVAPORATOR	0000-67-B30A-4A	1		
46		VALVE, EXPANSION	0000-67-0336-81	1		
47		HARNES, WIRE	0000-67-1998-49	1		
48		SWITCH, THERMOSTAT-PRESET	0000-67-0958-17	1		
49		TUBE, EXTENSION	0000-67-B32A-4A	1		
50		PROTECTOR, TUBE	0000-67-1981-03	1	7/16 ID X 7/8 OD X 2 3/4	
51			0000-67-1981-40	1	5/8 ID X 1 1/8 OD X 2 1/2	
52		O-RING, CAP-TUBE SEAL	0000-67-0123-21	1		
53		O-RING	0000-67-0123-18	1	NO. 8	
54		BRACKET, THERMOSTAT MOUNTING	0000-67-0007-37	1		
55		CLAMP NO. 1, BULB	0000-67-B44A-38	1		
56		CLIP, EVAPORATOR COIL PIPE	0000-67-0010-63	1		
57			0000-67-0010-64	1		
58		CLIP, RETAINER	0000-67-1977-25	8		
59		SCREW, TAPPING	0000-67-1982-26	2	NO. 10 X 1/2 PH	
60			0000-67-1995-93	4	NO. 8 X 1/2 PH	
		EVAPORATOR SACK KIT	0000-67-1478-36	1		
61		RELAY	0000-67-B82A-6P	1		
62		HARNES, WIRE	0000-67-1978-37	1		
63		WIRE, CONNECTOR	0000-67-1998-83	1		
64		SEAL, AIR RING	0000-67-0007-42	1		
65		SEAL, TOP PLATE	0000-67-0007-41	1		
66		GROMMET	0000-67-1992-98	1	1/2 X 13/16	
67			0000-67-B62A-4A	1	1/2 X 3/8	
68		HOSE, DRAIN	0000-67-1977-05	1	1/2 ID X 4 1/2	
69		ELBOW, PLASTIC	0000-67-1995-30	1	90 DEG., 1/2 OD	
70		CLAMP, DRAIN HOSE	0000-67-1988-67	1		
71		NUT	0000-67-0411-12	3	6MM	
72		FLATWASHER	0000-67-0402-83	3	1/4	
73		SCREW, TAPPING	0000-67-1983-78	2	NO. 10 X 3/4 PH	

6230A-1 BACK DOOR MECHANISM



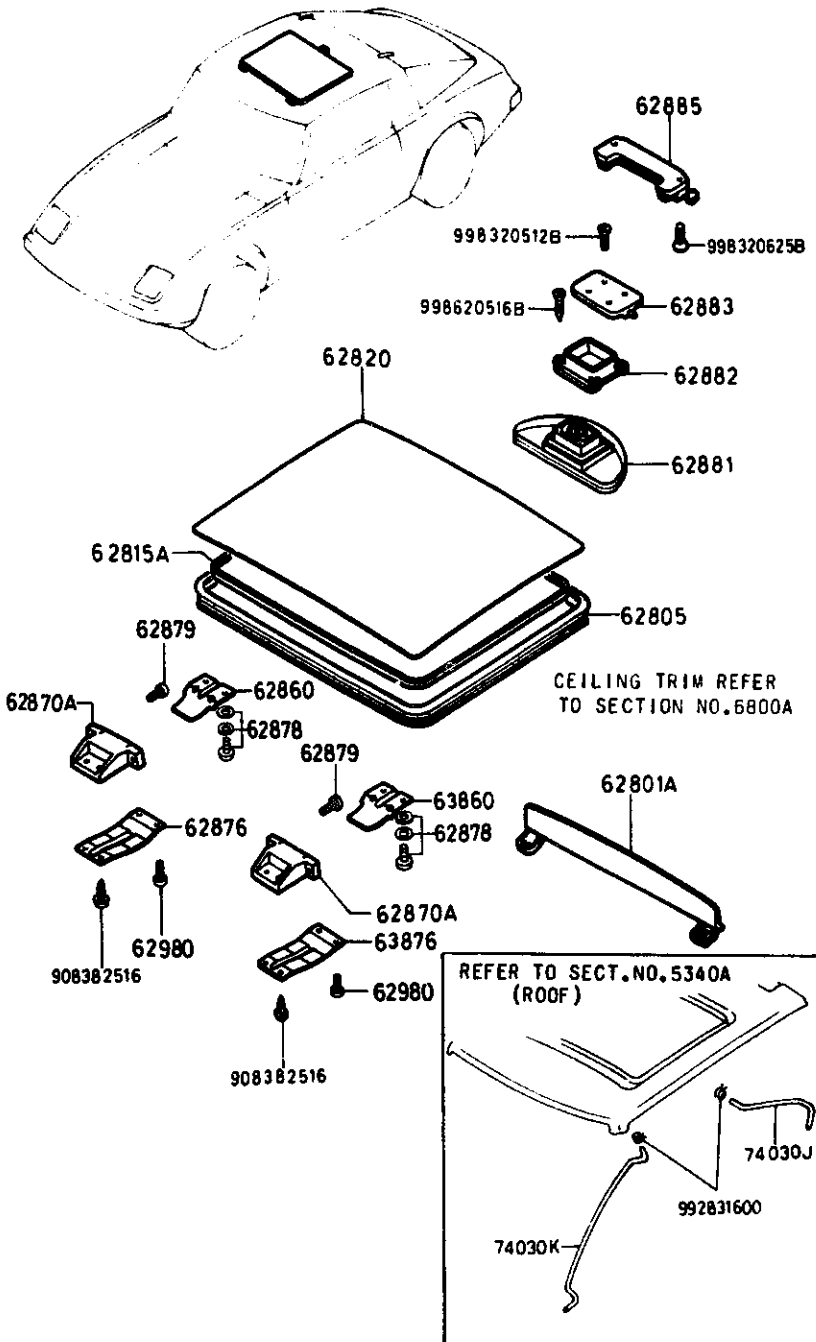
ITEM NO.	D-CODE	DESCRIPTION	PART NO.	QTY	MODEL/DESCRIPTION	REMARKS
58 316C		CLIP	G030-58-315	2		
60 690C		SWITCH, ROOM LAMP	0305-60-690	1		
62 210		HINGE (R)	8871-62-210B	1		
62 231A		SHIM 'A' (R), HINGE	8871-62-231	1		
62 232		SHIM 'B', HINGE	8871-62-232A	2		
62 233		SHIM 'D', HINGE	8871-62-233	2		
62 241A		SHIM 'C' (R), HINGE	8871-62-241A	1		
62 310		LOCK, BACK DOOR	FA01-62-310C	1	GS & GSL MODELS	
			FA02-62-310B	1	S MODEL	
62 315		OPENER, REMOTE CONTROL	8341-62-315	1	GS & GSL MODELS	
62 361		STRIKER, LOCK	8871-62-361	1		
62 365		NUT, STRIKER	FA01-62-365	1		
62 366		SHIM 'A', STRIKER	FA01-62-366	1		
62 367		SHIM 'B', STRIKER	8871-62-367	1		
62 610		STAY, DAMPER	8341-89-621	2	S & GS MODELS	
62 610A		STAY (R), DAMPER	1482-89-621	1	GSL MODEL	
62 621		PIN, DAMPER	8871-62-621	2		
62 631		BRACKET, DAMPER	8871-62-631	2		
62 635		NUT, DAMPER	8871-62-635A	2		
62 636		SHIM 'A', DAMPER	8871-62-636A	2		
62 637		SHIM 'B', DAMPER	8871-62-637	2		
63 210		HINGE (L)	8871-63-210B	1		
63 231A		SHIM 'A' (L), HINGE	8871-63-231	1		
63 241A		SHIM 'C' (L), HINGE	8871-63-241A	1		
63 610A		STAY (L), DAMPER	8341-89-621	1	GSL MODEL	

6300A-1 WINDOW GLASSES



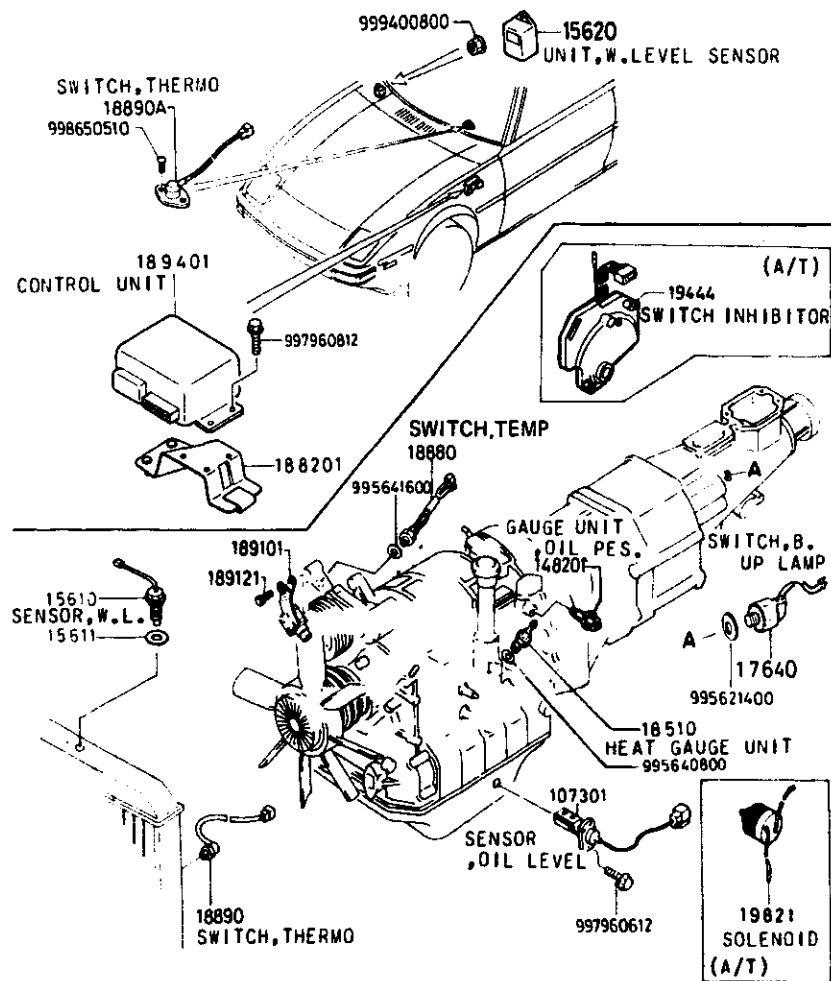
ITEM NO.	D-CODE	DESCRIPTION	PART NO.	QTY	MODEL/DESCRIPTION	REMARKS
51 881A		GARNISH (R), SIDE WINDOW	FA01-51-881A	1		
51 891A		GARNISH (L), SIDE WINDOW	FA01-51-891A	1		
51 902F		PACKING	1029-51-902	2		
63 901		GLASS, WINDSHIELD	FA01-63-901B	1	GS & GSL MODELS	
			FA02-63-901F	1	S MODEL	
63 902		DAM, FRONT W/SHIELD GLASS	1243-63-902	1		
63 931		GLASS, REAR WINDOW	1482-75-890D	1	GSL MODEL	
			8341-75-890D	1	S & GS MODELS	
63 932		WEATHERSTRIP, RR. WINDOW	8871-62-761D	1		
63 935		MOULDING, REAR WINDOW	8871-63-935A	1		
63 941		GLASS (R), SIDE WINDOW	FA01-62-950D	1		
63 942B		DAM, SIDE WINDOW	8871-63-942	4		
63 951		GLASS (L), SIDE WINDOW	FA01-63-950D	1		
63 960A		PLATE (R), GLASS	FA01-62-970	1		
63 970		MOULDING (R), GLASS	8871-62-960A	1		
63 970A		PLATE (L), GLASS	FA01-63-970	1		
63 980		MOULDING (L), GLASS	8871-63-960A	1		
68 861B		SPACER	8871-62-966A	2		
69 049D		NUT, SPEED	0187-69-049A	4		
70 447A		SPACER 'A'	8871-63-911	2		
70 449A		SPACER 'C'	0839-70-449	3		
70 526B		SHEET 'A', SIDE WINDOW	0256-70-526A	2		

6330A-1 SUNROOF (GSL)



ITEM NO.	D-CODE	DESCRIPTION	PART NO.	QTY	MODEL/DESCRIPTION	REMARKS
62 801A		DEFLECTOR	8346-62-801C	1		FB331 .600001-
		BLACK	02			
		RED	11			
		TAN	29			
		BROWN	70			
62 805		WEATHERSTRIP, TOP	8970-62-805B	1		
62 815A		PROTECTOR, TOP	8970-62-815B	1		
62 820		SUNROOF	8346-62-820A	1		
62 860		HINGE 'A' (R), TOP	8346-62-875A	1		
62 870A		HINGE 'B', TOP	8346-62-871A	1		
62 876		REINFORCEMENT (R), HINGE	8346-62-876	1		
62 878		SCREW	8346-62-878A	4		
62 879		SCREW	8346-62-879	4		
62 881		LATCH, ROTARY	FA04-62-881A	1		FB331 .600001-
		BLACK	00			
		RED	11			
		TAN	29			
		BROWN	70			
62 882		COVER LATCH	8346-62-882	1		
62 883		PLATE LOCK	8346-62-883	1		
62 885		HOOK SLIDE	8346-62-885	1		
62 980		SCREW	8346-62-980	4		
63 860		HINGE 'A' (L), TOP	8346-63-875A	1		
63 876		REINFORCEMENT (L), HINGE	8346-63-876	1		
74 030J		PIPE, VINYL	8973-56-066	2		
74 030K		HOSE, DRAIN	8973-56-065B	2		

6600A-1 SWITCH & RELAY (ENGINE & TRANSMISSION)



SWITCHES AND RELAYS HAVE BEEN SHOWN IN THE FOLLOWING FOUR (4) SECTIONS.

SECTION NO.	SECTION NAME
6600A	SWITCH & RELAY (ENGINE & T/MISSION)
6610A	SWITCH (DASHBOARD)
6620A	SWITCH (INTERIOR)
6630A	SWITCH (RELAY & HORN)

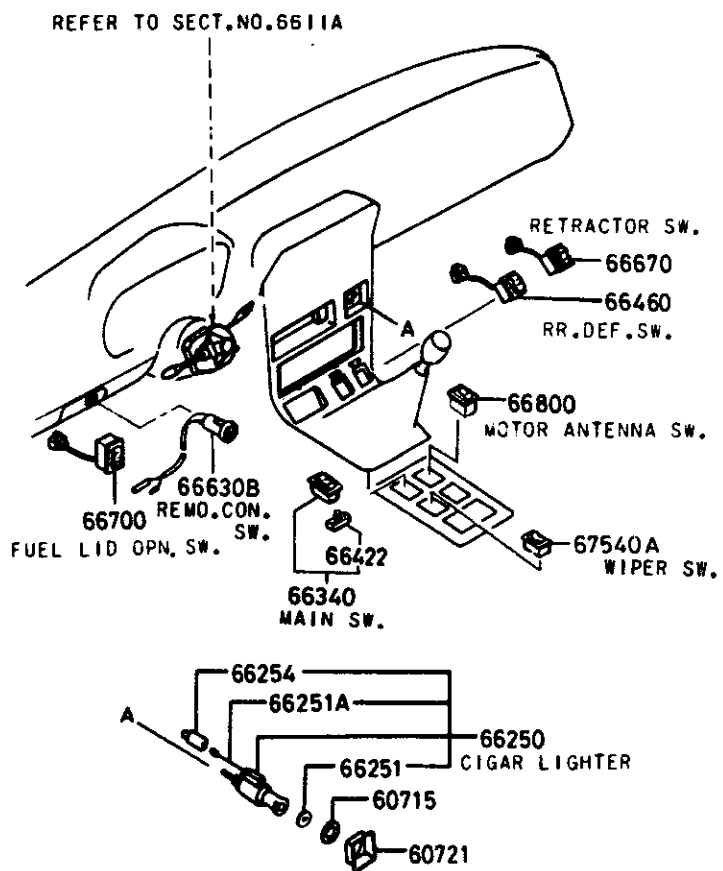
ITEM NO.	D-CODE	DESCRIPTION	PART NO.	QTY	MODEL/DESCRIPTION	REMARKS
10 7301		SENSOR, OIL LEVEL	N201-10-730	1		
14 8201		GAUGE UNIT, OIL PRESSURE	N201-14-820	1		
15 610		SENSOR, WATER LEVEL	8553-15-610B	1		
15 611		GASKET	8553-15-611	1		
15 620		UNIT, WATER LEVEL SENSOR	8248-15-620	1		
17 640		SWITCH, BACK-UP LAMP	1391-17-640	1	M T	
18 510		UNIT, HEAT GAUGE	8569-18-510A	1		
18 8201		BRACKET, CONTROL UNIT	8871-18-820C	1		
18 880		SWITCH, TEMPERATURE	8341-18-880	1		
18 890		SWITCH, THERMO	8182-18-970A	1		
18 890A		SWITCH, THERMO	N201-18-890	1	'81 & '82 MODELS	
			N233-18-890	1	'83 MODEL	
18 9101		SENSOR, THROTTLE	1480-18-910B	1		
18 9121		BOLT	1480-18-912B	2		
18 9401		CONTROL UNIT	N201-18-940	1	'81 & '82 MODELS M T CAL	
			N202-18-940	1	'81 & '82 MODELS	
			N203-18-940	1	'81 & '82 MODELS M T FED	
			N231-18-940	1	'83 MODEL M T	
			N232-18-940	1	'83 MODEL A T	
19 444		SWITCH, INHIBITOR	8872-19-444B	1	A T	
19 821		SOLENOID, DOWNSHIFT	1675-19-821	1	A T	

SECTION INDEX -- BODY

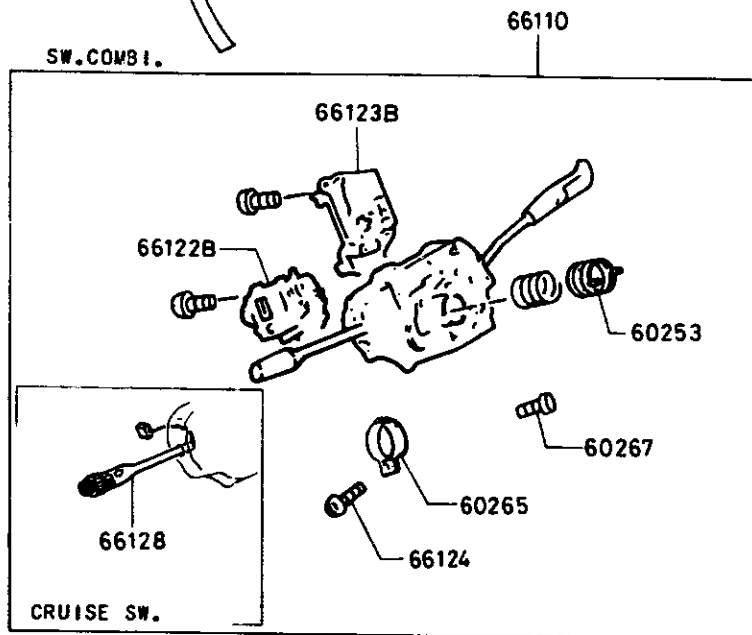
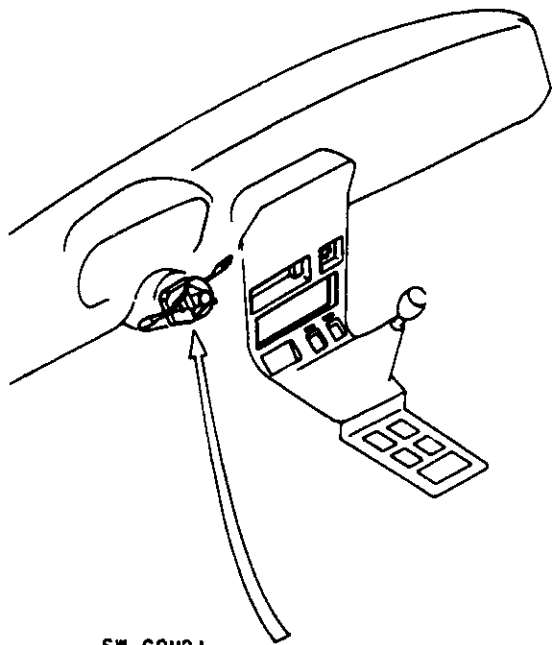
STARTING LOCATION	SECT. NO.	SECTION NAME	STARTING LOCATION	SECT. NO.	SECTION NAME	STARTING LOCATION	SECT. NO.	SECTION NAME
2 - C 3	0900A	KEY SETS	2 - E 8	6142A	COMPRESSOR MOUNTING KIT, COMPRESSOR/CLUTCH ASSEMBLY & REPAIR PARTS ('81 MODEL)	2 - H11	6870A	SERVICE TOOLS
2 - D 3	5000A	FRONT BUMPER	2 - F 8	6142AB	COMPRESSOR MOUNTING KIT, COMPRESSOR/CLUTCH ASSEMBLY & REPAIR PARTS ('82 MODEL)	2 - I11	6900A	VISOR, ASSIST HANDLE & MIRRORS
2 - E 3	5005A	RADIATOR GRILLE	2 - G 8	6142AC	COMPRESSOR MOUNTING KIT, COMPRESSOR/CLUTCH ASSEMBLY & REPAIR PARTS ('83 MODEL)	2 - L11	6930A	CAUTION PLATES
2 - F 3	5010A	REAR BUMPER	2 - H 8	6152A	EVAPORATOR PACKAGE ('81 MODEL)			
2 - G 3	5030A	WINDOW MOULDINGS	2 - I 8	6152AB	EVAPORATOR PACKAGE ('82 MODEL)			
2 - H 3	5040A	BODY MOULDINGS	2 - J 8	6152AC	EVAPORATOR PACKAGE ('83 MODEL)			
2 - I 3	5060A	SIDE PROTECTORS	2 - K 8	6230A	BACK DOOR MECHANISM			
2 - J 3	5100A	HEAD LAMPS	2 - L 8	6300A	WINDOW GLASSES			
2 - K 3	5103A	HEAD LAMP RETRACTORS	2 - M 8	6330A	SUNROOF (GSI)			
2 - L 3	5105A	FRONT COMBINATION & SIDE TURN LAMPS	2 - N 8	6600A	SWITCH & RELAY (ENGINE & TRANSMISSION)			
2 - M 3	5110A	REAR COMBINATION LAMPS						
2 - N 3	5120A	LICENSE & REAR SIDE TURN LAMPS						
2 - C 4	5125A	INTERIOR LAMPS (GS & GSI)						
2 - D 4	5170A	ORNAMENTS						
2 - E 4	5180A	COWL & EXTRACTOR GRILLES	2 - C 9	6610A	DASHBOARD SWITCHES (MANUAL OPERATING)			
2 - F 4	5230A	HOOD	2 - D 9	6611A	COMBINATION SWITCH			
2 - G 4	5310A	BODY PANELS (FRONT)	2 - E 9	6615A	POWER WINDOW SWITCH			
2 - I 4	5340A	BODY PANELS (SIDE & ROOF)	2 - F 9	6620A	DOOR, PARKING LAMP & KICK DOWN SWITCH			
2 - J 4	5360A	BODY PANELS (FLOOR)	2 - G 9	6630A	RELAY (BODY)			
2 - K 4	5370A	FLOOR ATTACHMENTS	2 - H 9	6635A	HORN			
2 - L 4	5500A	DASHBOARD EQUIPMENT	2 - I 9	6640A	AUTO CRUISE CONTROL			
2 - N 4	5540A	METERS	2 - J 9	6680A	AUDIO SYSTEM			
2 - C 5	5560A	DASHBOARD & RELATED	2 - M 9	6700A	WIRE HARNESS (FRONT & REAR)			
2 - E 5	5570A	CONSOLE	2 - N 9	6701A	WIRE HARNESS (ENGINE & TRANSMISSION)			
2 - G 5	5580A	VENTILATOR						
2 - H 5	5700A	SEATS ('81 & '82) MODELS						
2 - C 6	5700AA	SEATS ('83 MODEL)						
2 - H 6	5790A	SEAT BELTS	2 - C10	6702A	WIRE HARNESS (DASHBOARD)			
2 - J 6	5800A	FRONT DOOR	2 - D10	6703A	WIRE HARNESS (DOOR, FLOOR & CEILING)			
2 - K 6	5830A	FRONT DOOR MECHANISM	2 - E10	6704A	WIRE HARNESS CLAMPS			
2 - C 7	5840A	FRONT DOOR TRIM & RELATED PARTS	2 - F10	6720A	WINDSHIELD WASHER			
2 - F 7	6100A	HEATER	2 - G10	6730A	WINDSHIELD WIPER			
2 - G 7	6110A	HEATER UNIT	2 - H10	6740A	WIPER MOTOR (COMPONENTS ONLY)			
2 - H 7	6115A	HEATER CONTROLS	2 - I10	6750A	REAR WINDOW WIPER & WASHER			
2 - I 7	6120A	HEATER BLOWER	2 - J10	6760A	REAR WINDOW WIPER MOTOR (COMPONENTS ONLY)			
2 - J 7	6132A	CONDENSER PACKAGE ('81 MODEL)	2 - K10	6800A	CEILING TRIM			
2 - I 7	6132AB	CONDENSER PACKAGE ('82 MODEL)	2 - C11	6840A	TRIM & SCUFF PLATE			
2 - C 8	6132AC	CONDENSER PACKAGE ('83 MODEL)	2 - F11	6860A	FLOOR MATS & PADS			

**6610A-1 DASHBOARD SWITCHES
(MANUAL OPERATING)**

ITEM NO.	D-CODE	DESCRIPTION	PART NO.	QTY	MODEL/DESCRIPTION	REMARKS
	60 715	SHIELD, HEAT	8871-66-242	1		
	60 721	PROTECTOR	FA01-66-241	1		
	66 250	LIGHTER, CIGAR	FA01-66-250	1		
	66 251	RING, ILLUMINATION	8182-66-251	1		
	66 251A	CORD, SHORT	FA01-66-251	1		
	66 254	BULB, CIGAR LIGHTER	0000-11-0293	1	(A12V 3.4W)	
	66 340	SWITCH, MAIN	FA03-66-340	1	(USE W/ A.C.C.) GSL MODEL	
	66 422	VALVE, MAIN SWITCH	B001-66-422	1		
	66 460	SWITCH, PEAR DEFROSTER	B001-66-460	1		
	66 630B	SWITCH, REMOTE CONTROL	FA01-66-630	1		
	66 670	SWITCH, RETRACTOR	FA01-66-670	1		
	66 700	SWITCH, FUEL LID OPENER	FA01-66-700	1		
	66 800	SWITCH, MOTOR ANTENNA	FA07-66-890	1	'61 & '82 MODELS	
	67 540A	SWITCH, WIPER	FA02-67-540	1		

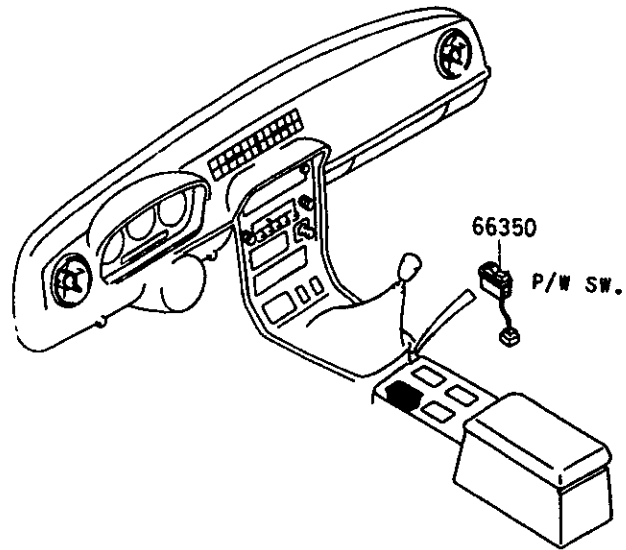


6611A-1 COMBINATION SWITCH



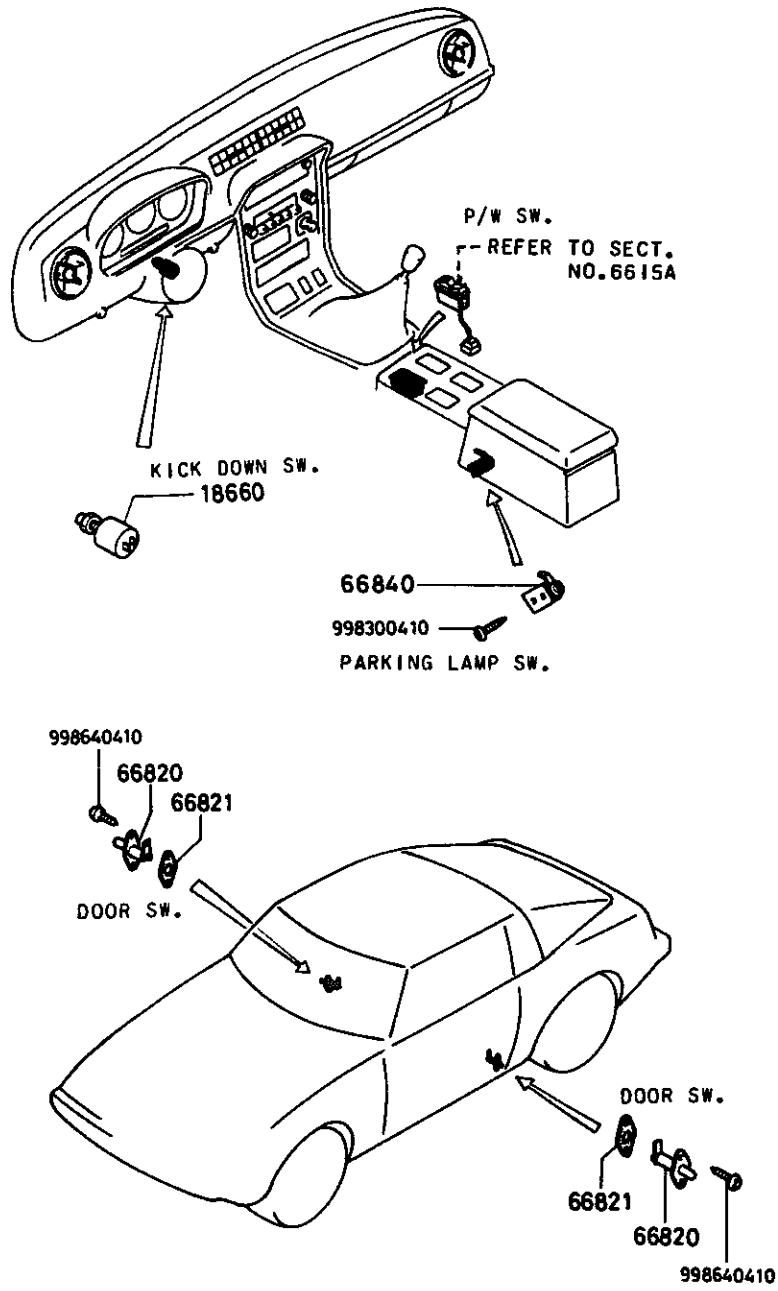
ITEM NO.	D-CODE	DESCRIPTION	PART NO.	QTY	MODEL/DESCRIPTION	REMARKS
60 253		CAM, CANCEL	BA29-66-126	1		
60 265		HOLDER, BAND	BA29-66-129	1		
60 267		CONTACT, HORN	8182-66-127	1		
66 110		SWITCH, COMBINATION	FA01-66-120	1	(W/O A.C.C.) S & GS MODELS	
			FA02-66-120	1	(USE W/ A.C.C.) GSL MODEL	
66 122B		SWITCH, LIGHT & TURN	FA01-66-122	1		
66 123B		SWITCH, WIPER	BA30-66-123	1		
66 124		BOLT, BAND HOLDER	8182-66-124	1		
66 128		SWITCH, A.C.C.	FA02-66-128	1		

6615A-1 POWER WINDOW SWITCH



ITEM NO.	D-CODE	DESCRIPTION	PART NO.	QTY	MODEL/DESCRIPTION	REMARKS
	66 350	SWITCH, POWER WINDOW	FA03-66-350A	1	'81 MODEL	
				2	'82 & '83 MODELS	

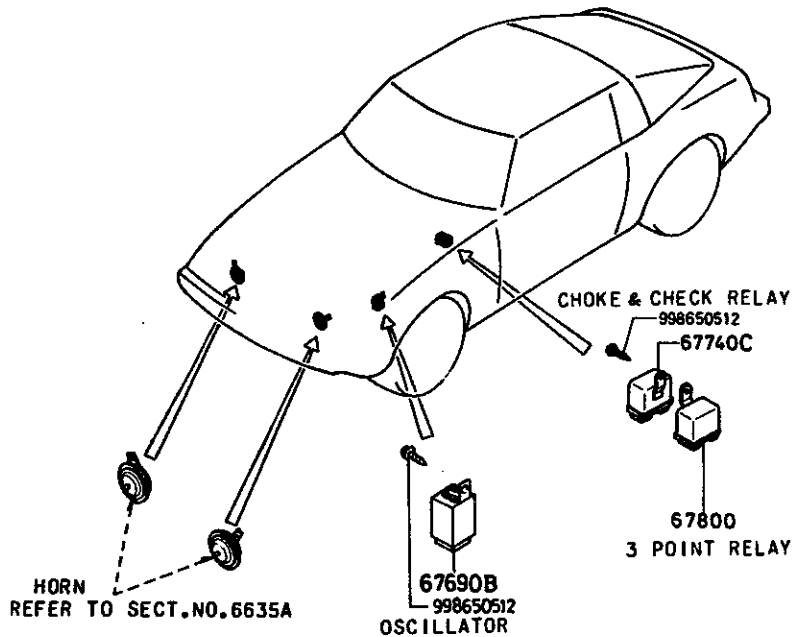
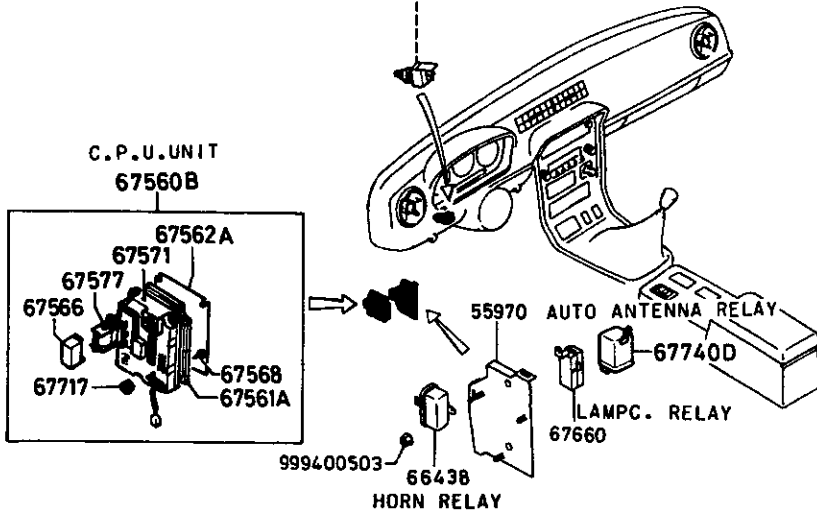
6620A-1 DOOR, PARKING LAMP & KICK DOWN SWITCH



ITEM NO.	D-CODE	DESCRIPTION	PART NO.	QTY	MODEL/DESCRIPTION	REMARKS
18 660		SWITCH, KICK DOWN	2691-18-660	1	A/T	
66 820		SWITCH, DOOR	8001-66-540	2		
66 821		WASHER, ADJUST	0209-66-821	2		
66 840		SWITCH, PARKING LAMP	8871-66-450	1		

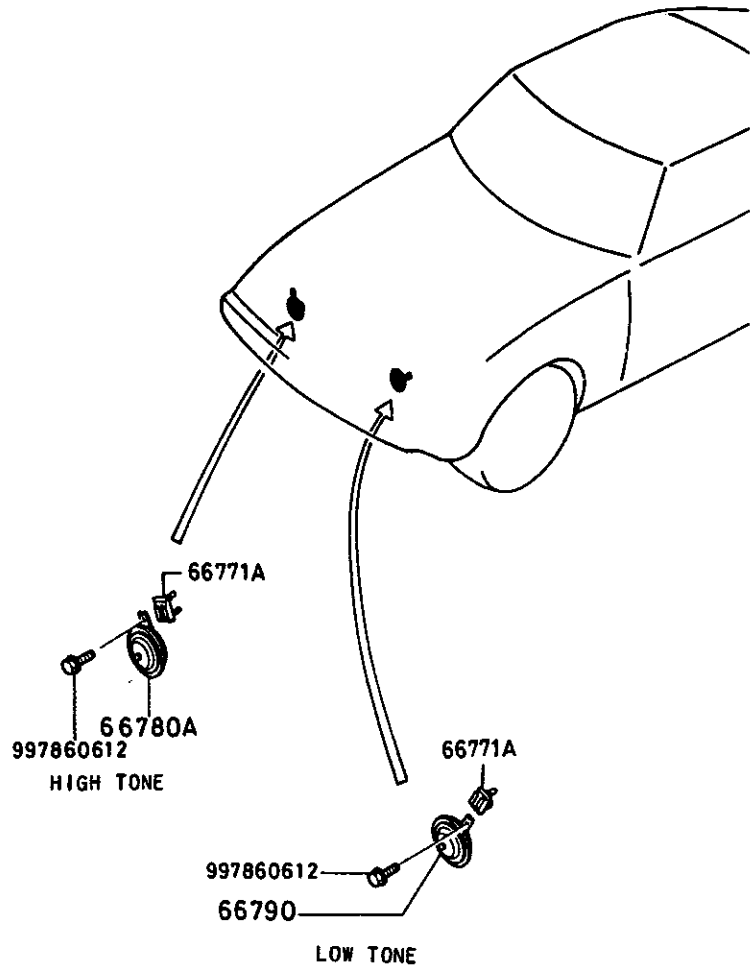
6630A-1 RELAY (BODY)

(REFER TO SECT. NO4300A)



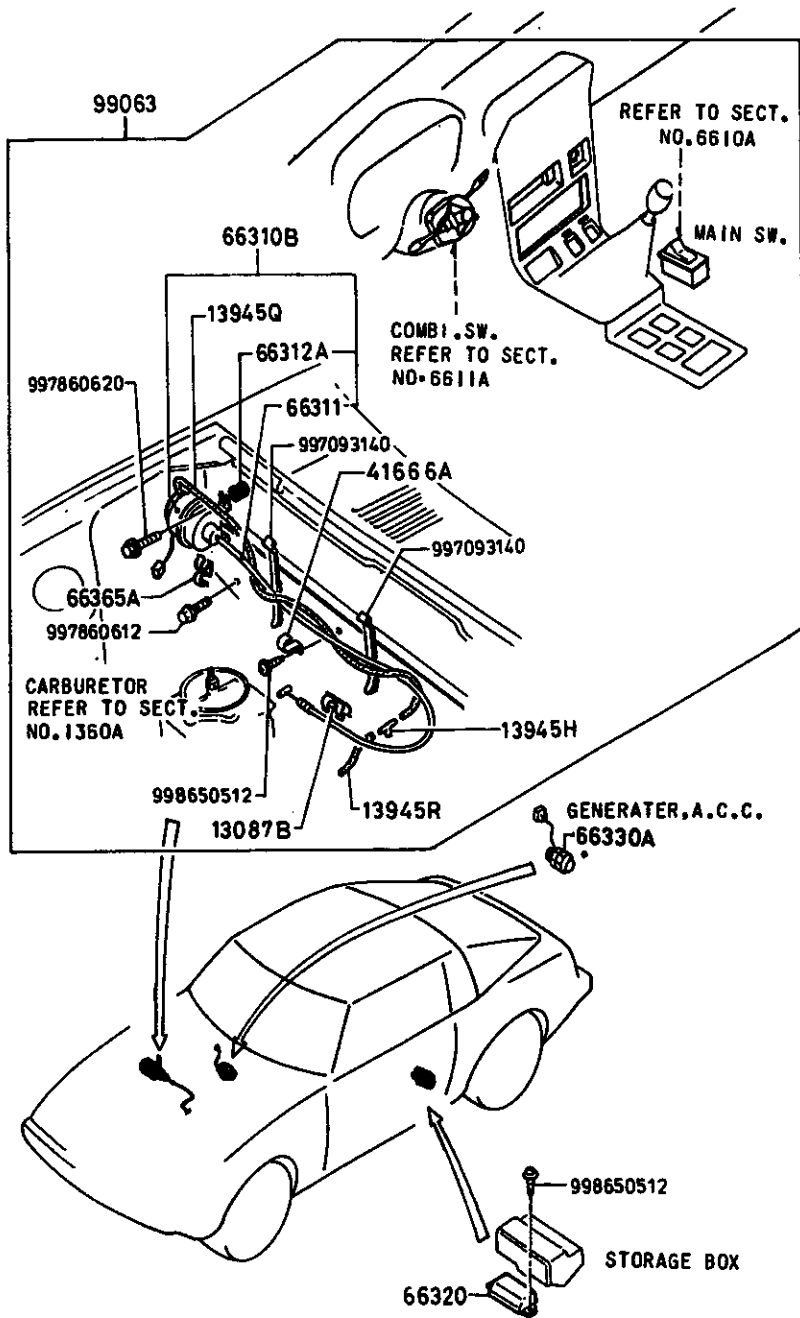
ITEM NO.	D-CODE	DESCRIPTION	PART NO.	QTY	MODEL/DESCRIPTION	REMARKS
55 970		BRACKET	FA03-66-820B	1		
66 438		RELAY, HORN	1524-66-810B	1	(USE W/O ILLUM. KEY & WARNING LAMP) '81 & '82 MODELS	FB331 ..500001-634422
			FA01-66-810A	1	'82 & '83 MODELS	FB331 ..634423-
67 560B		UNIT, CENTRAL PROCESSING	FA03-67-560	1	(USE W/O ILLUM. KEY & WARNING LAMP)	
			FA02-67-560	1	(USE W/ ILLUM. KEY & WARNING LAMP)	
67 561A		CIRCUIT	FA02-67-573	1		
67 562A		PLATE	FA02-67-574	1		
67 566		COVER, CONTROL UNIT	FA02-67-572	1		
67 568		SCREW, TAPPING	8545-67-568	10		
67 571		CASE, CONTROL UNIT	FA02-67-571	1		
67 577		RELAY, FLASHER	FA02-67-577	1	'81 MODEL	FB331 ..500001-503735
				1		FB331 ..503736-
67 660		RELAY, LAMP CHECKER	BE32-67-680A	1	(USE W/O ILLUM. KEY & WARNING LAMP)	
67 690B		OSCILLATOR	FA30-67-690	1	'82 & '83 MODEL	
			< AN > FA30-67-690A	1		
67 717		BUSHING	0866-67-717	3		
67 740C		RELAY, CHOKE & CHECK	8173-67-740A	1		
67 740D		RELAY, AUTO ANTENNA	FA01-67-740	1		
67 800		RELAY, 3-POINT	1480-67-740	1	'81 & '82 MODELS	
				2	M/T '83 MODEL A/T	

6635A-1 HORN



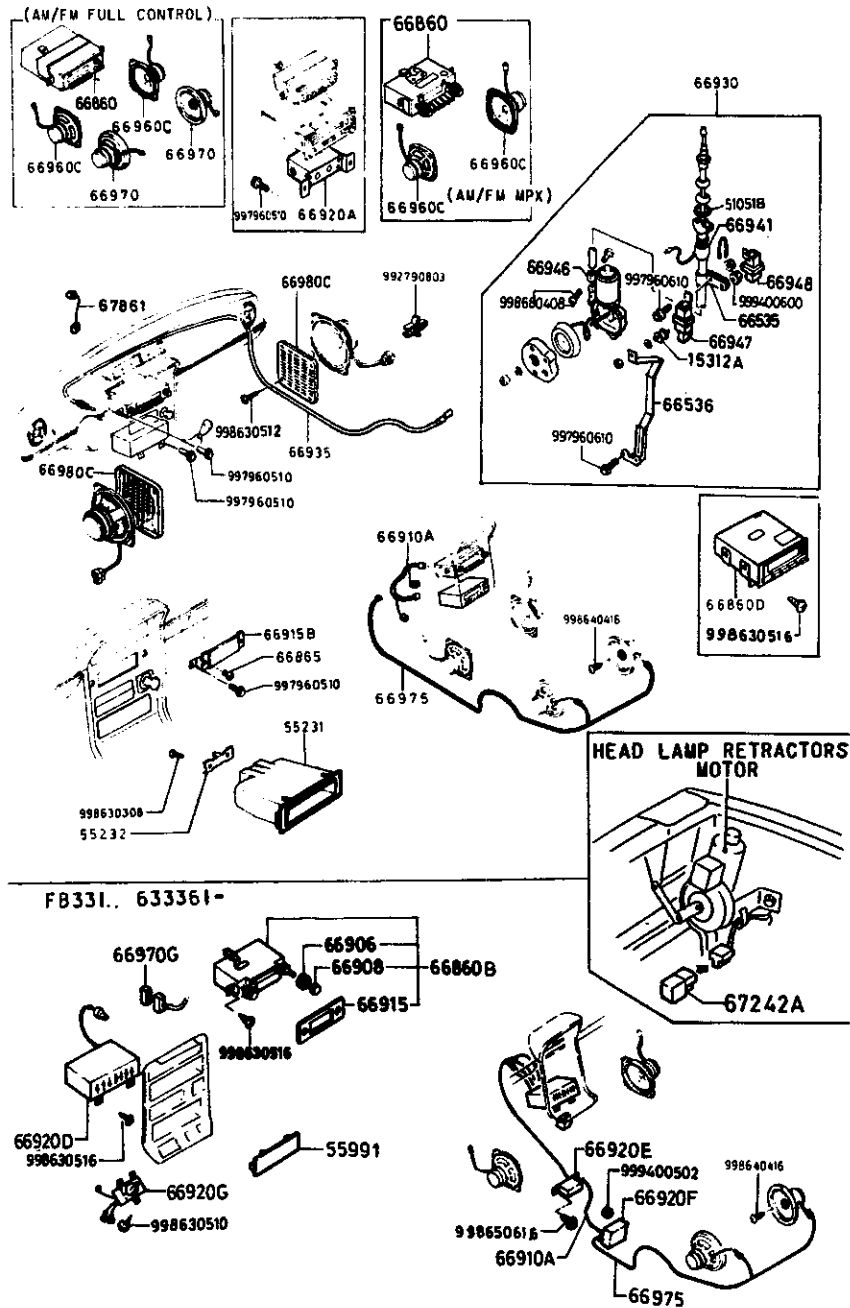
ITEM NO.	D-CODE	DESCRIPTION	PART NO.	QTY	MODEL/DESCRIPTION	REMARKS
	66 771A	GROMMET, SCREW	8572-66-771	2	'81 MODEL	
	66 780A	HORN, HIGH TONE	3874-66-780	1		
	66 790	HORN, LOW TONE	3874-66-790	1		

6640A-1 AUTO CRUISE CONTROL



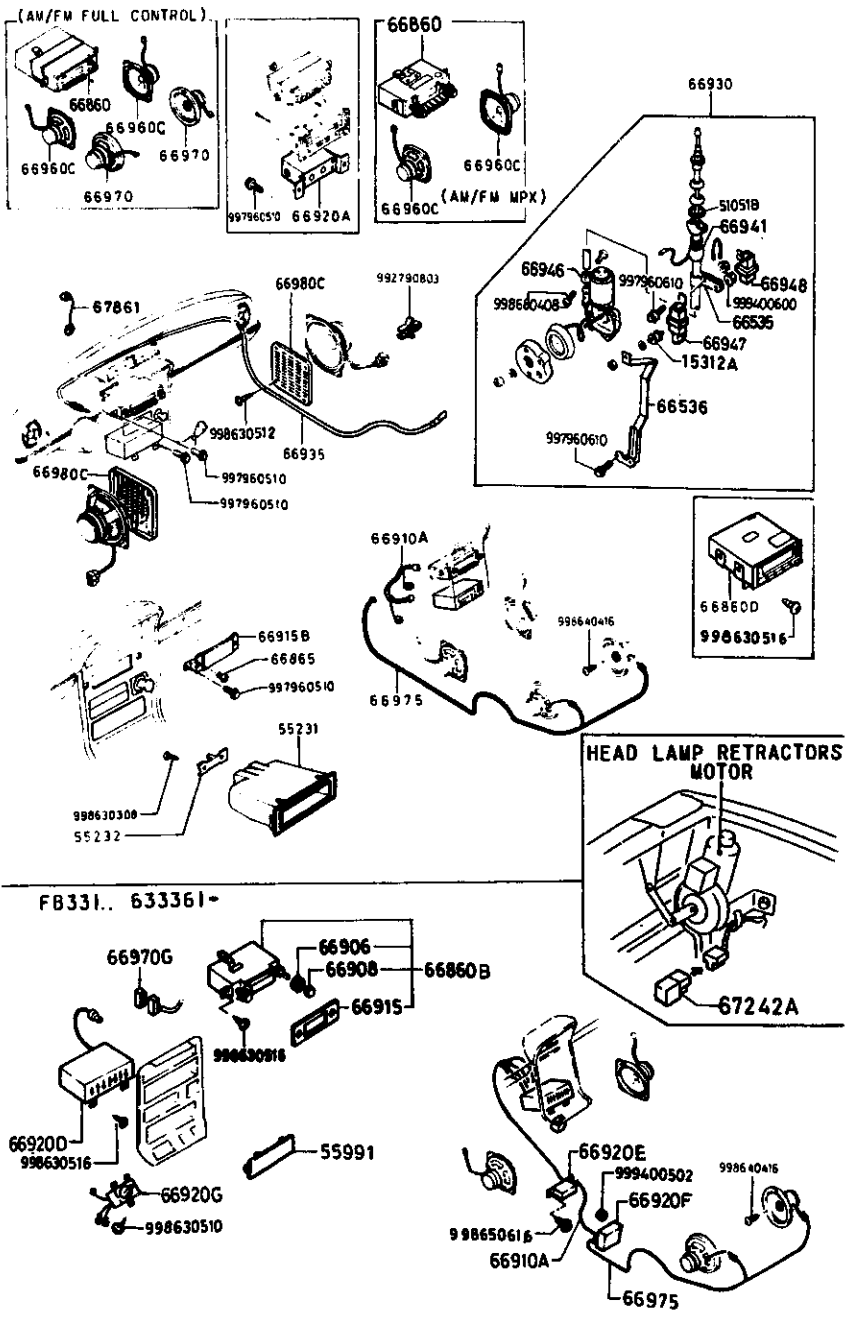
ITEM NO.	D-CODE	DESCRIPTION	PART NO.	QTY	MODEL/DESCRIPTION	REMARKS
13 087B		SPRING	8871-13-087A	1		
13 945H		CONNECTOR	1700-13-945A	1	'81 & '82 MODELS	
13 945Q		PIPE	FA02-66-361	1	'81 & '82 MODELS	
			FA43-66-361A	1	'83 MODEL	
13 945R		PIPE	9935-10-4095	1	'81 MODEL	FB331 ..500001-524457
				1	'81 & '82 MODELS	FB331 ..524458-
41 666A		CLIP	FA43-66-315	1	'83 MODEL	
66 310B		ACTUATOR, A.C.C.	FA43-66-310B	1		
66 311		WIRE, A.C.C.	FA03-66-311	1	'81 & '82 MODELS	
			FA43-66-311	1	'83 MODEL	
66 312A		PROTECTOR	FA03-66-312	2		
66 320		BOX, A.C.C.	FA02-66-320B	1	'81 MODEL	
			FA30-66-320B	1	'82 & '83 MODELS	
66 330A		GENERATOR, A.C.C.	GA03-66-330A	1	(USE W/ A.C.C.) '81 MODEL	
66 365A		CLIP	FA43-66-365	2	'83 MODEL	
99 063		AUTO CRUISE CONTROL SET	FA30-99-063A	1	'83 MODEL	

6680A-1 AUDIO SYSTEM



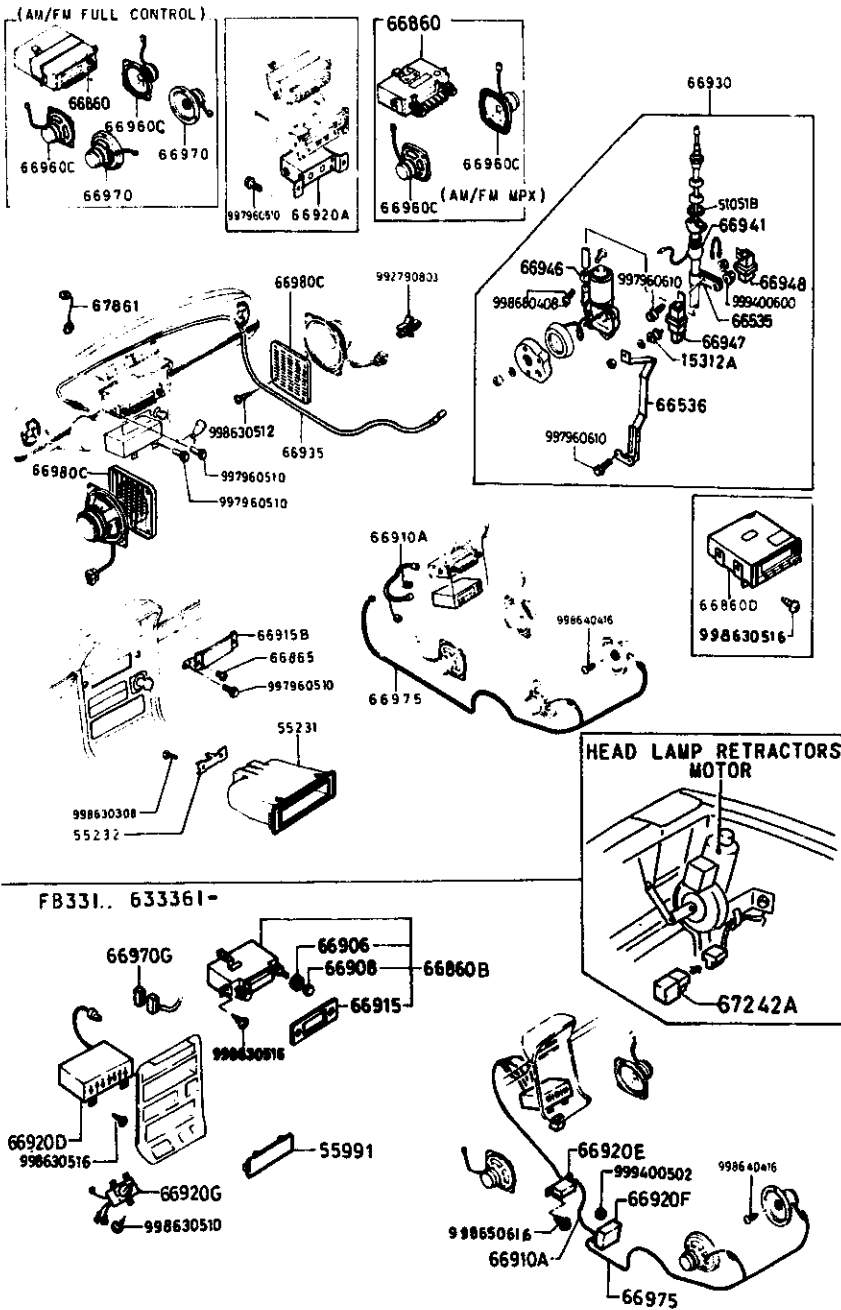
ITEM NO.	D-CODE	DESCRIPTION	PART NO.	QTY	MODEL/DESCRIPTION	REMARKS
15 312A		RUBBER, INSULATION	1757-15-312	1		
51 051B		PROTECTOR	8572-51-051	1		
55 231		ORNAMENT, STEREO	1363-55-231C	1	(W/O CASSETTE) '81 MODEL	
		BLACK	00			
55 232		TERMINAL, PLATE	8118-55-232	1	(W/O CASSETTE) '81 MODEL	
55 991		ORNAMENT, TUNER	FA48-55-231	1	'83 MODEL	
66 535		BRACKET, ANTENNA NO. 1	FA02-66-941	1		
66 536		BRACKET, ANTENNA NO. 2	FA02-66-942	1	'81 - '82 MODEL	FB331 ..500001-717535
			FA43-66-942	1	'83 MODEL	FB331 ..717536-
66 860		RADIO, AUTO	0000-81-456C	1	AM/FM MPX (CLARION) '81 MODEL, S & GS '82 MODEL S	
			0000-81-481C	1	AM/FM FULL CONTROL (CLARION) '81 MODEL, GSL '82 MODEL, GS & GSL	
			0000-81-3001	1	AM/FM FULL CONTROL (CLARION) '83 MODEL, S	
66 860B		PLAYER, TAPE-CASSETTE	0000-81-0790	1	5-BUTTON COMBO (CLARION) '83 MODEL, GS	
			0000-81-0975-83	1	ETR COMBO (CLARION) '82 & '83 MODELS, GSL	
66 860D		DECK, TAPE-CASSETTE	0000-81-880C	1	DECK ONLY (CLARION) '81 & '82 MODELS, GSL '83 MODEL, S	
			0000-81-0211-83	1	DECK ONLY (FUJITSU) '81 MODEL, S & GS	
66 865		SCREW	0222-66-865A	2	'81 & '82 MODELS	
		BLACK	00			
66 906		KNOB, PLAYER	0000-81-0790	2	FOR 5-BUTTON COMBO (CLARION)	
			0000-81-9700-83	2	FOR ETR COMBO (CLARION)	
			0000-81-0211-KB	2	FOR TAPE DECK (FUJITSU)	
66 908		KNOB, PLAYER	0000-81-0423	2	FOR AM/FM MPX & AM/ FM FULL CONTROL	
66 910A		CORD, DIN	FA05-66-910A	1	'81 & '82 MODELS	
			FA09-66-910A	1	'82 MODEL	FB331 ..633361-
			FA45-66-910	1	'83 MODEL	
66 915		PLATE, FACE	0000-81-9710-83	1	FITS ETR COMBO (CLARION), 0000-81-0975-83	

6680A-2 AUDIO SYSTEM



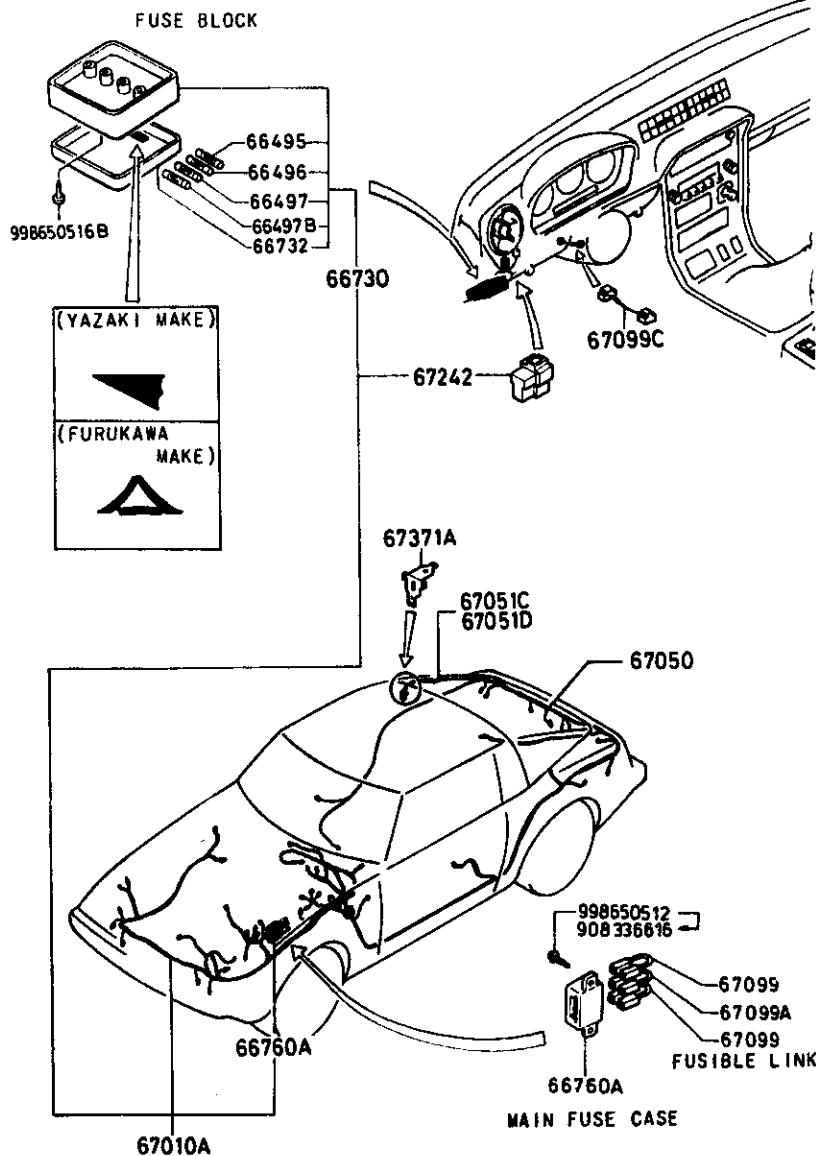
ITEM NO.	D-CODE	DESCRIPTION	PART NO.	QTY	MODEL/DESCRIPTION	REMARKS
66 915	(CONT'D)		0000-81-7910-83	1	FITS 5 BUTTON COMBO (CLARION), 0000-81-0790	
66 915B		ORNAMENT, TUNER	FA10-66-900	1	W/O RADIO '81 & '82 MODELS	
66 920A		AMPLIFIER, MAIN	0000-81-142C	1	(5W X 2) (CLARION) '81 & '82 MODELS, GS	
			0000-81-132C	1	(20W X 2) (CLARION) '81 & '82 MODELS, GSL	
			0000-81-0287	1	(25W X 2) (CLARION) '82 MODEL, GSL FROM FEB. '82 PROD.	
			0000-81-142C-83	1	(5W X 2) (CLARION) '83 MODEL, S	
			0000-81-0287-83	1	(25W X 2) (CLARION) '83 MODEL, GS & GSL	
66 920D		EQUALIZER, GRAPHIC	0000-81-0286-83	1	7 BAND (CLARION) GSL	
66 920E		AMPLIFIER, POWER-FRONT	0000-81-0287-83	1	(25W X 2) (CLARION) GS & GSL	
66 920F		AMPLIFIER, POWER-REAR	0000-81-0287-83	1	(25W X 2) (CLARION) '82 MODEL, GSL FROM FEB. '82 PROD.	
66 920G		BALANCER, STICK	0000-81-0093	1	4-WAY BALANCER (CLARION) '82 & '83 MODELS, GSL	
66 930		ANTENNA	FA01-66-930C	1	'81 - '82 MODEL	FB331 ..500001-717535
			FA42-66-930A	1	'83 MODEL	FB331 ..717536-
66 935		FEEDER-ANTENNA	8869-66-936A	1		
66 941		POLE, ANTENNA	FA01-66-941A	1	'81 - '82 MODEL	FB331 ..500001-717535
			FA42-66-941A	1	'83 MODEL	FB331 ..717536-
66 944A		WIRE	FA01-66-944	1	'83 MODEL	FB331 ..717536-
66 945		PIPE	FA42-66-945	1	'83 MODEL	FB331 ..717536-
66 946		BAND	FA01-66-946	1		
66 947		RELAY, ANTENNA	FA01-66-947	1		
66 948		SWITCH, BI-METAL	FA01-66-948	1		
66 960C		SPEAKER, LOUD-FRONT	0000-81-5210-01	2	4 DUAL CONE	
66 970		SPEAKER, LOUD-REAR	0000-81-0643	2	5 SINGLE CONE	
			0000-81-5216-01	2	6 1/2 COAXIAL	
66 970G		CORD, SHORT	FA07-66-970	1	'82 & '83 MODELS	FB331 ..633361-
66 975		CORD, LOUD SPEAKER	FA05-66-970B	1	(USE W/FULL CONTROL)	
			8980-66-961	1	(USE W/ AM/FM MPX) '81 & '82 MODELS	FB331 ..500001-633360
			FA09-66-970A	1	(USE W/ AM/FM MPX) '82 & '83 MODELS	FB331 ..633361-
66 980C		GRILLE, SPEAKER	1247-66-980	2	'81 & '82 MODELS	
67 242A		DIODE	FA01-67-242	2	'82 & '83 MODELS	

6680A-3 AUDIO SYSTEM



ITEM NO.	D-CODE	DESCRIPTION	PART NO.	QTY	MODEL/DESCRIPTION	REMARKS
	67 861	WIRE, RADIO-EARTH	0710-66-868A	1		

**6700A-1 WIRE HARNESS
(FRONT & REAR)**

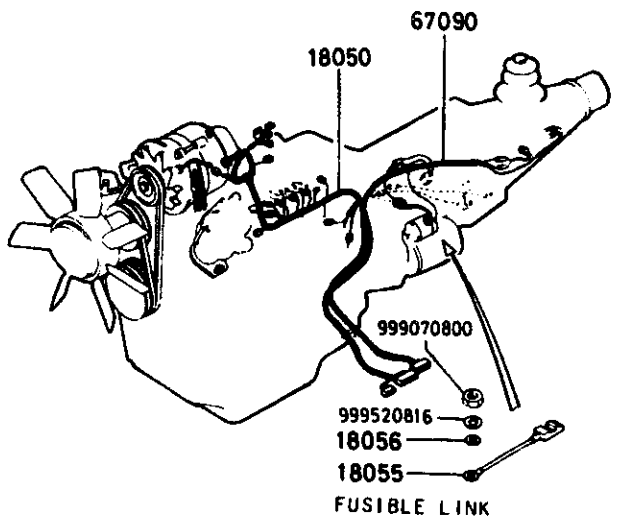
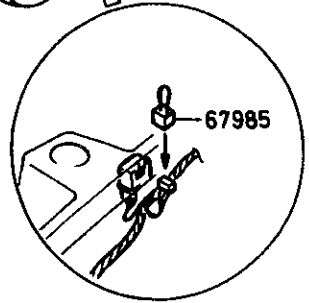
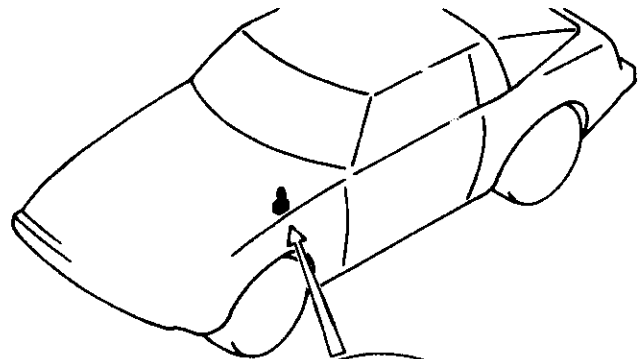


SECTION NO.	SECTION NAME
6700A	WIRE HARNESS (FRONT & REAR)
6701A	WIRE HARNESS (ENGINE & T/MISSION)
6702A	WIRE HARNESS (DASHBOARD)
6703A	WIRE HARNESS (DOOR, FLOOR & CEILING)
6704A	WIRE HARNESS CLAMP

ITEM NO.	D-CODE	DESCRIPTION	PART NO.	QTY	MODEL/DESCRIPTION	REMARKS
66 495		FUSE (10A)	9970-51-110	9	'81 MODEL	
			< AN > 0000-11-001	8	'82 & '83 MODELS	
66 496		FUSE (15A)	9970-51-115	5	'81 MODEL	
			< AN > 0000-11-0015	5	'82 & '83 MODELS	
66 497		FUSE (20A)	9970-51-120	2	'81 MODEL	
			< AN > 0000-11-002	4	'82 & '83 MODELS	
66 497B		FUSE (30A)	9970-51-130	1	'81 MODEL	
			< AN > 0000-11-003	1	'82 & '83 MODELS	
66 730		BLOCK, FUSE	FA01-66-730B	1	(INCLUDED IN FRONT HARNESS)	
66 732		COVER	FA01-66-731	1	(FURUKAWA MAKE) '81 MODEL	FB331 ..500001-508072
			FA01-66-731B	1	(FURUKAWA MAKE) '81 MODEL	FB331 ..508073-
			FA01-66-732	1	(YAZAKI MAKE) '81 MODEL	FB331 ..500001-508072
			FA01-66-732B	1	(YAZAKI MAKE) '81 MODEL	FB331 ..508073-
			FA01-66-731B	1	(FURUKAWA MAKE) '82 & '83 MODELS	
			FA01-66-732B	1	(YAZAKI MAKE) '82 & '83 MODELS	
66 760A		CASE, MAIN FUSE	8871-66-760	1	(INCLUDED IN FRONT HARNESS) '81 MODEL	
67 010A		HARNESS, FRONT	FA01-67-010E	1	'81 MODEL	FB331 ..500001-600000
			FA30-67-010D	1	'82 MODEL	FB331 ..600001-622565
			FA42-67-010A	1	'83 MODEL	
67 050		HARNESS, REAR	FA01-67-050D	1		
67 051C		CORD, REAR DEFOGGER	8341-67-051A	1		
67 051D		CORD, REAR DEFOGGER	1480-67-051B	1	(USE W/ REAR WIPER)	FB331 ..500001-503135
			8341-67-051A	1	(W/O REAR WIPER)	
67 099		LINK, FUSIBLE	8871-67-099	2	(10M OHM) (BROWN)	
67 099A		LINK, FUSIBLE	3777-67-099	1	(7M OHM) (BLACK)	
67 099C		LINK, FUSIBLE	FA02-67-099	1	'81 MODEL	
67 242		RECTIFIER	8871-67-242	1	'81 MODEL	
67 371A		TERMINAL	8871-67-371	2	(USE W/ REAR WIPER)	

6701A-1

**WIRE HARNESS
(ENGINE & TRANSMISSION)**



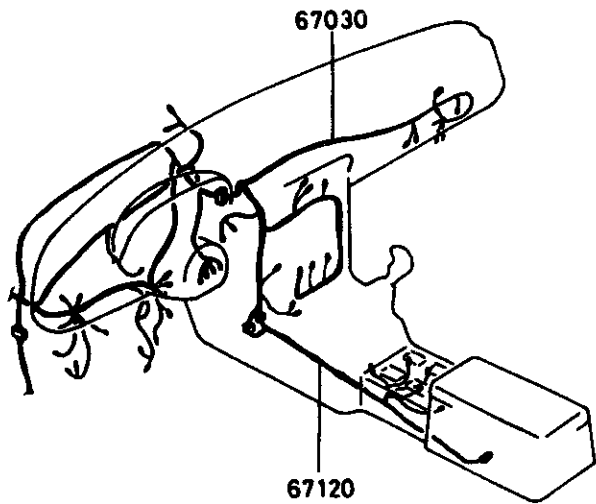
ITEM NO.	D-CODE	DESCRIPTION	PART NO.	QTY	MODEL/DESCRIPTION	REMARKS
18 050		WIRING, ENGINE	N201-18-050A	1	'81 & '82 MODELS	
			N231-18-050B	1	'83 MODEL	
18 055		LINK, FUSIBLE	8341-18-055	1		
18 056		WASHER, LOCK	8872-18-056	1	A/T	
67 090		HARNESS, TRANSMISSION	FA01-67-090B	1	M/T	
			FA03-67-090C	1	A/T	
67 985		CONNECTOR, SHORT	8342-67-985	1	'81 & '82 MODELS	

SECTION INDEX -- BODY

STARTING LOCATION	SECT. NO.	SECTION NAME	STARTING LOCATION	SECT. NO.	SECTION NAME	STARTING LOCATION	SECT. NO.	SECTION NAME
2 - C 3	6900A	KEY SETS	2 - E 8	6142A	COMPRESSOR MOUNTING KIT, COMPRESSOR/CLUTCH ASSEMBLY & REPAIR PARTS ('81 MODEL)	2 - H11	6870A	SERVICE TOOLS
2 - D 3	5000A	FRONT BUMPER	2 - F 8	6142AB	COMPRESSOR MOUNTING KIT, COMPRESSOR/CLUTCH ASSEMBLY & REPAIR PARTS ('82 MODEL)	2 - I11	6900A	VISOR, ASSIST HANDLE & MIRRORS
2 - E 3	5005A	RADIATOR GRILLE	2 - G 8	6142AC	COMPRESSOR MOUNTING KIT, COMPRESSOR/CLUTCH ASSEMBLY & REPAIR PARTS ('83 MODEL)	2 - L11	6930A	CAUTION PLATES
2 - F 3	5010A	REAR BUMPER	2 - H 8	6152A	EVAPORATOR PACKAGE ('81 MODEL)			
2 - G 3	5030A	WINDOW MOULDINGS	2 - I 8	6152AB	EVAPORATOR PACKAGE ('82 MODEL)			
2 - H 3	5040A	BODY MOULDINGS	2 - J 8	6152AC	EVAPORATOR PACKAGE ('83 MODEL)			
2 - I 3	5060A	SIDE PROTECTORS	2 - K 8	6230A	BACK DOOR MECHANISM			
2 - J 3	5100A	HEAD LAMPS	2 - L 8	6300A	WINDOW GLASSES			
2 - K 3	5103A	HEAD LAMP RETRACTORS	2 - M 8	6330A	SUNROOF (GSI)			
2 - L 3	5105A	FRONT COMBINATION & SIDE TURN LAMPS	2 - N 8	6600A	SWITCH & RELAY (ENGINE & TRANSMISSION)			
2 - M 3	5110A	REAR COMBINATION LAMPS	2 - C 9	6610A	DASHBOARD SWITCHES (MANUAL OPERATING)			
2 - N 3	5120A	LICENSE & REAR SIDE TURN LAMPS	2 - D 9	6611A	COMBINATION SWITCH			
2 - C 4	5125A	INTERIOR LAMPS (GS & GSI)	2 - E 9	6615A	POWER WINDOW SWITCH			
2 - D 4	5170A	ORNAMENTS	2 - F 9	6620A	DOOR, PARKING LAMP & KICK DOWN SWITCH			
2 - E 4	5180A	COWL & EXTRACTOR GRILLES	2 - G 9	6630A	RELAY (BODY)			
2 - F 4	5230A	HOOD	2 - H 9	6635A	HORN			
2 - G 4	5310A	BODY PANELS (FRONT)	2 - I 9	6640A	AUTO CRUISE CONTROL			
2 - I 4	5340A	BODY PANELS (SIDE & ROOF)	2 - J 9	6680A	AUDIO SYSTEM			
2 - J 4	5360A	BODY PANELS (FLOOR)	2 - M 9	6700A	WIRE HARNESS (FRONT & REAR)			
2 - K 4	5370A	FLOOR ATTACHMENTS	2 - N 9	6701A	WIRE HARNESS (ENGINE & TRANSMISSION)			
2 - L 4	5500A	DASHBOARD EQUIPMENT						
2 - N 4	5540A	METERS	2 - C 10	6702A	WIRE HARNESS (DASHBOARD)			
2 - C 5	5560A	DASHBOARD & RELATED	2 - D 10	6703A	WIRE HARNESS (DOOR, FLOOR & CEILING)			
2 - E 5	5570A	CONSOLE	2 - E 10	6704A	WIRE HARNESS CLAMPS			
2 - G 5	5580A	VENTILATOR	2 - F 10	6720A	WINDSHIELD WASHER			
2 - H 5	5700A	SEATS ('81 & '82) MODELS	2 - G 10	6730A	WINDSHIELD WIPER			
2 - C 6	5700AA	SEATS ('83 MODEL)	2 - H 10	6740A	WIPER MOTOR (COMPONENTS ONLY)			
2 - H 6	5790A	SEAT BELTS	2 - I 10	6750A	REAR WINDOW WIPER & WASHER			
2 - J 6	5800A	FRONT DOOR	2 - J 10	6760A	REAR WINDOW WIPER MOTOR (COMPONENTS ONLY)			
2 - K 6	5830A	FRONT DOOR MECHANISM	2 - K 10	6890A	CEILING TRIM			
2 - C 7	5840A	FRONT DOOR TRIM & RELATED PARTS						
2 - F 7	6100A	HEATER	2 - C 11	6840A	TRIM & SCUFF PLATE			
2 - G 7	6110A	HEATER UNIT	2 - F 11	6860A	FLOOR MATS & PADS			
2 - H 7	6115A	HEATER CONTROLS						
2 - I 7	6120A	HEATER BLOWER						
2 - J 7	6132A	CONDENSER PACKAGE ('81 MODEL)						
2 - L 7	6132AB	CONDENSER PACKAGE ('82 MODEL)						
2 - C 8	6132AC	CONDENSER PACKAGE ('83 MODEL)						

2 - B10

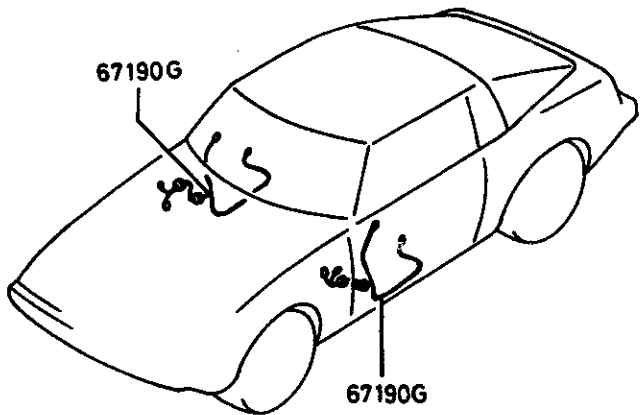
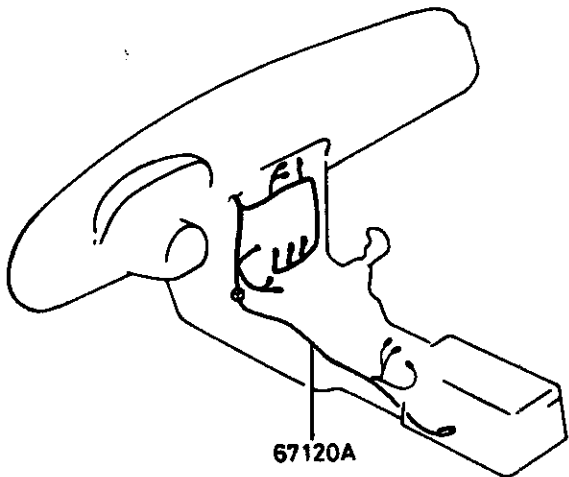
**6702A-1 WIRE HARNESS
(DASHBOARD)**



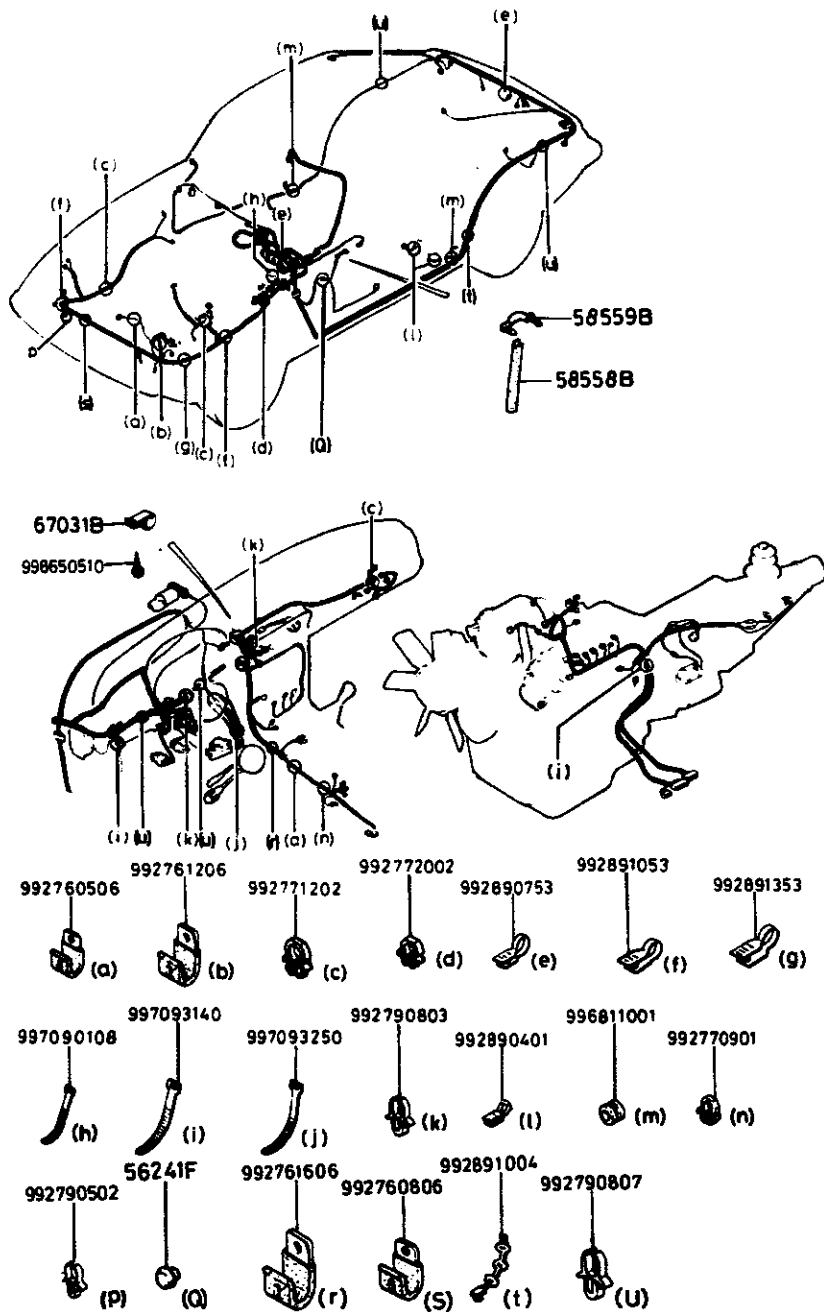
ITEM NO.	D-CODE	DESCRIPTION	PART NO.	QTY	MODEL/DESCRIPTION	REMARKS
	67 030	HARNES, INSTRUMENT	FA01-67-030C	1		
	67 120	HARNES, PARKING BRAKE	FA03-67-120B	1	GSL MODEL	

**6703A-1 WIRE HARNESS
(DOOR, FLOOR & CEILING)**

ITEM NO.	D-CODE	DESCRIPTION	PART NO.	QTY	MODEL/DESCRIPTION	REMARKS
	67 120A	HARNES, FLOOR	FA01-67-120B	1	S MODEL	
	67 190G	HARNES, DOOR	FA02-67-190A	1	GSL MODEL '81 MODEL	
				2	'82 & '83 MODELS	

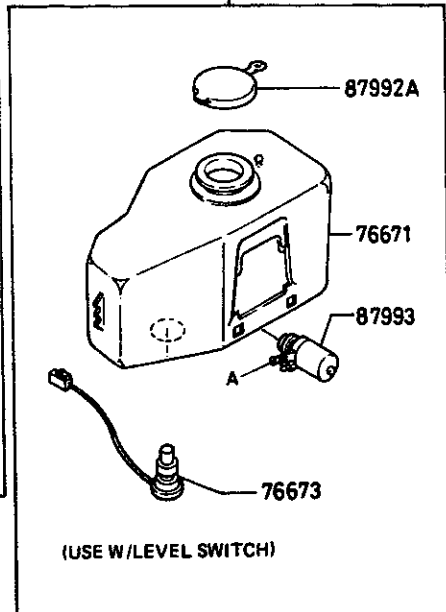
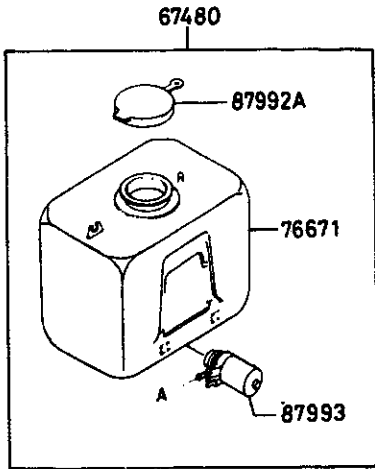
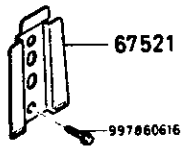
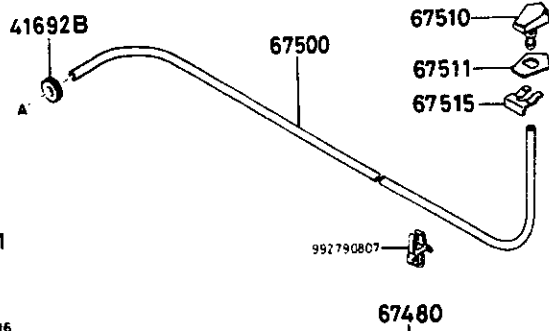
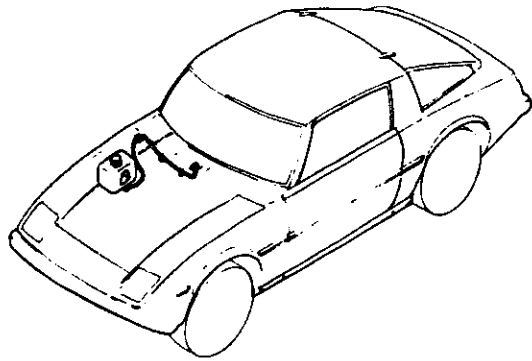


6704A-1 WIRE HARNESS CLAMPS



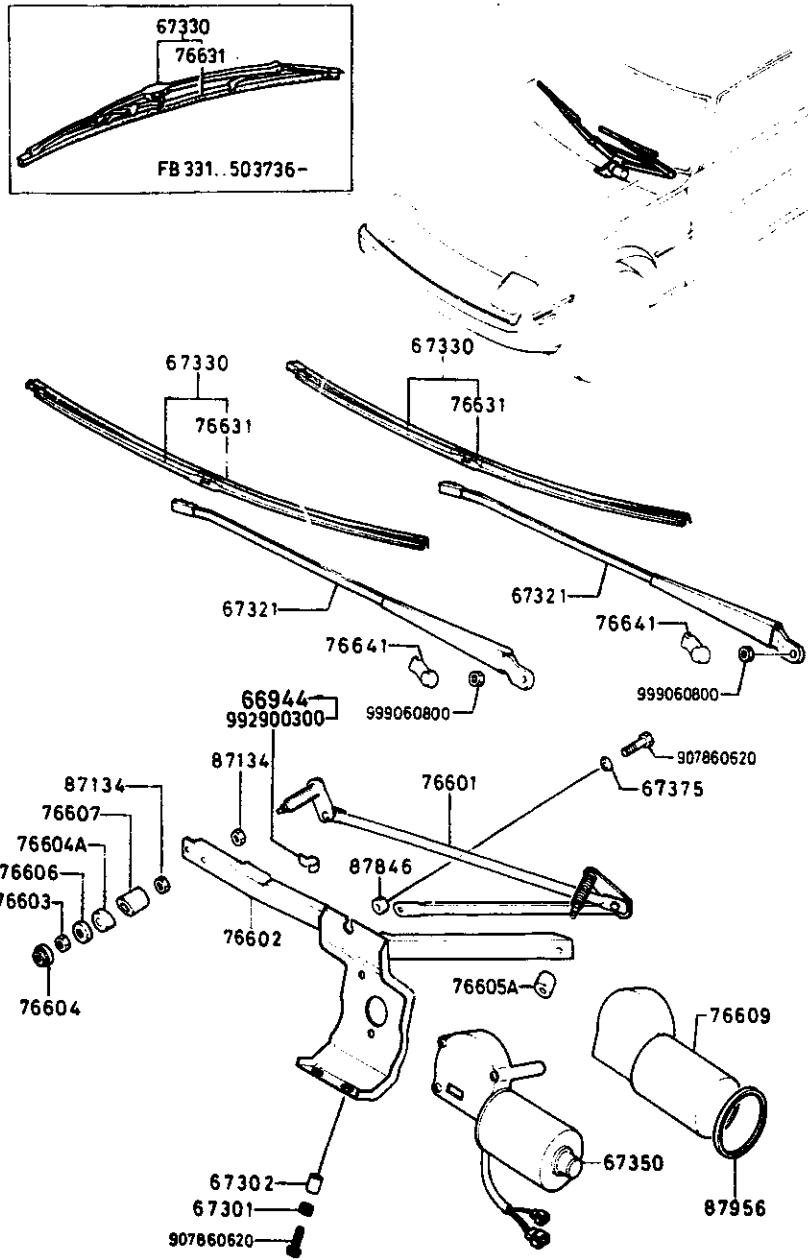
ITEM NO.	D-CODE	DESCRIPTION	PART NO.	QTY	MODEL/DESCRIPTION	REMARKS
	56 241F	PLUG, DRAIN	0118-56-241	4	S MODEL	
	58 558B	PROTECTOR, WIRE	1243-58-558	2	GSL MODEL	
	58 559B	CLIP, WIRE	1243-58-559	4	GSL MODEL	
	67 031B	CLIP	8871-67-031	1		

6720A-1 WINDSHIELD WASHER



ITEM NO.	D-CODE	DESCRIPTION	PART NO.	QTY	MODEL/DESCRIPTION	REMARKS
41 692B		PROTECTOR	0866-67-156	1		
67 480		TANK, WASHER	2522-67-480B	1		
67 500		PIPE	8871-67-500	1		
67 510		NOZZLE, WASHER	1011-67-510A	1		
67 511		PACKING	1011-67-511B	1		
67 515		CLIP	1011-67-515B	1		
67 521		BRACKET, WASHER TANK	8545-53-225	1		
76 671		TANK	2522-76-671A	1		
76 673		SWITCH, LEVEL	8173-76-673	1	'83 MODEL	
87 992A		CAP TANK	BA02-76-673	1		
87 993		PUMP KIT	8532-76-672	1		

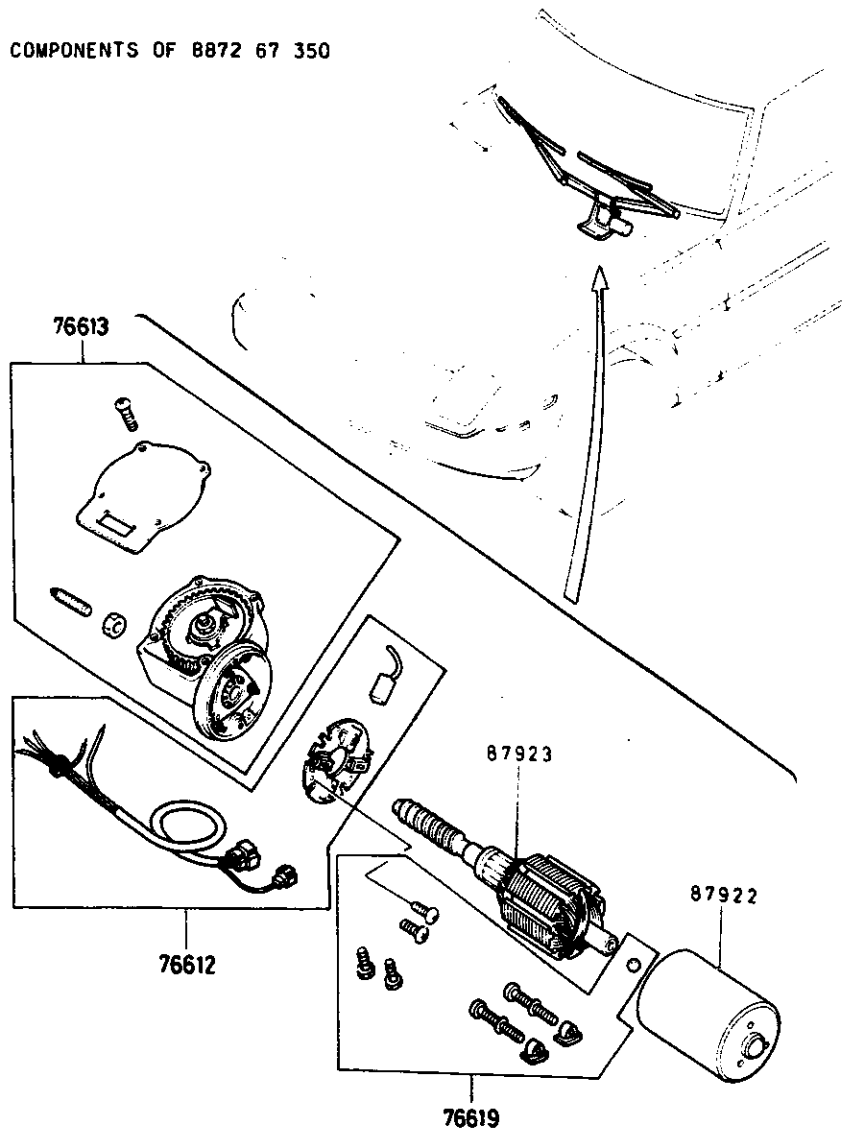
6730A-1 WINDSHIELD WIPER



ITEM NO.	D-CODE	DESCRIPTION	PART NO.	QTY	MODEL/DESCRIPTION	REMARKS
66 944		CLIP	0208-66-944A	1		
67 301		WASHER, RUBBER	0866-67-301A	2		
67 302		SPACER	0866-67-302	2		
67 321		ARM, WIPER	8872-67-321	2		
67 330		BLADE, WIPER	8562-67-330A	2	'81 & '82 MODELS	
			FA42-67-330	2	'83 MODEL	
67 350		MOTOR, WIPER	8872-67-350A	1		
67 375		WASHER, CAP	1011-67-375	2		
76 601		LINK, WIPER	8871-76-601B	1		
76 602		FRAME	8871-76-602B	1		
76 603		NUT, CAP	8871-76-657	2		
76 604		CAP, SEAL	8871-76-655A	2		
76 604A		BUSHING, OUTER	8871-76-604A	2		
76 605A		BUSHING, INNER	8871-76-605A	1		
76 606		WASHER, CUP	8871-76-656A	2		
76 607		BUSHING, INNER	8871-76-603A	1		
76 609		COVER	1175-76-609	1		
76 631		BLADE	F023-76-631	1	'83 MODEL	
			8562-76-631A	2	'81 & '82 MODELS	
76 641		COVER, WIPER ARM	8871-76-641	2		
87 134		NUT	0727-87-844	4		
87 846		GROMMET	0824-87-846	2		
87 956		BAND	0305-87-956	1		

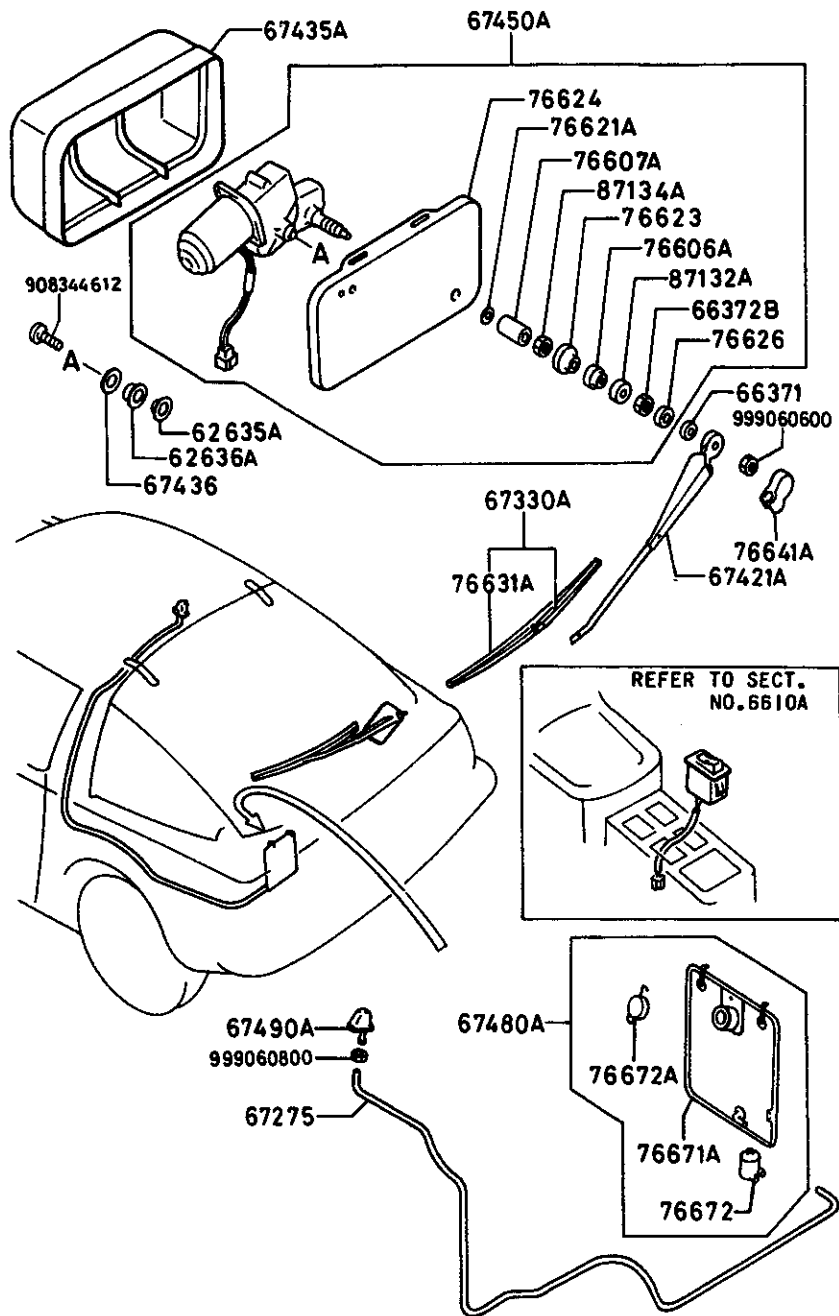
**6740A-1 WIPER MOTOR
(COMPONENTS ONLY)**

COMPONENTS OF 8872 67 350



ITEM NO.	D-CODE	DESCRIPTION	PART NO.	QTY	MODEL/DESCRIPTION	REMARKS	
	76 612	HOLDER ,BRUSH	8872-76-612	1			
	76 613	BOX, GEAR	8872-76-610	1	'81 & '82 MODELS		
	76 619	PARTS SET	8236-76-619A	1			
	87 922	YOKE, STATOR	8236-76-614	1	'81 & '82 MODELS		
	87 923	ROTOR	8236-76-618	1	'81 & '82 MODELS		
		REFER TO SERV. BULL. NO. 109/83, CAT. 15 FOR NEW PARTS INFO.					

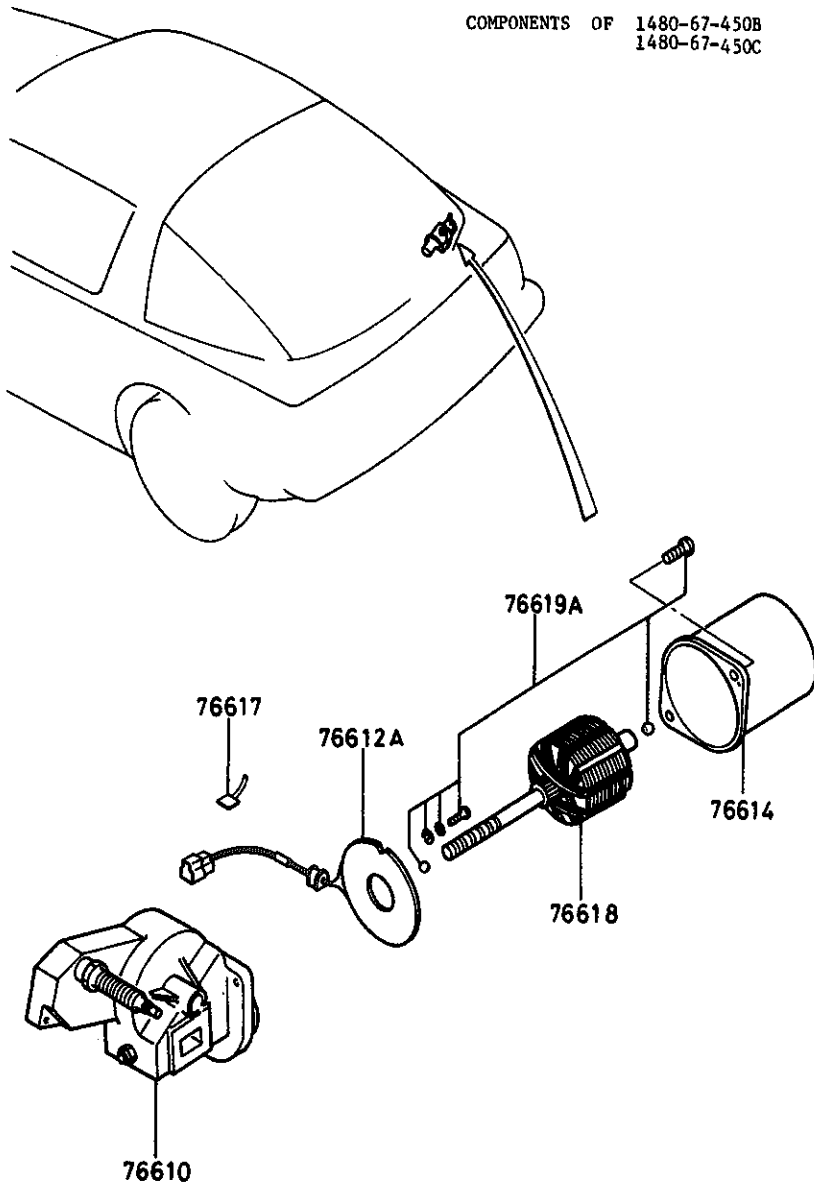
6750A-1 REAR WINDOW WIPER & WASHER



ITEM NO.	D-CODE	DESCRIPTION	PART NO.	QTY	MODEL/DESCRIPTION	REMARKS
	62 635A	NUT	8871-62-635A	1		
	62 636A	WASHER	8871-62-636A	1		
	66 371	CAP, SEAL	0212-66-371	1		
	66 372B	NUT	0212-66-372A	1		
	67 275	HOSE, SCREW WASHER	1480-67-501A	1		
	67 330A	BLADE, WIPER	8144-67-330A	1		
	67 421A	ARM, WIPER	1480-67-421A	1		
	67 435A	COVER, WIPER MOTOR	1480-67-435	1		
	67 436	SPACER	1480-67-436	1		
	67 450A	MOTOR	1480-67-450C	1		
	67 480A	TANK	1410-67-480C	1		
	67 490A	NOZZLE	1480-67-510	1		
	76 606A	BUSHING, OUTER	1480-67-606	1		
	76 607A	BUSHING, INNER	1480-76-607	1		
	76 621A	WASHER	1029-76-621	1		
	76 623	BUSHING, INNER	1480-76-623	1		
	76 624	BRACKET, WIPER MOTOR	1480-76-624A	1		
	76 626	NUT, LOCK PLATE	1480-76-626	1		
	76 631A	BLADE	8144-76-631	1		
	76 641A	COVER, WIPER, ARM	8134-76-641	1		
	76 671A	TANK, WASHER-REAR WIPER	1410-76-671	1		
	76 672	PUMP, WASHER	1410-67-530	1		
	76 672A	CAP, TANK	1410-76-672A	1		
	87 132A	WASHER	0702-87-132	1		
	87 134A	NUT	0259-87-134	1		

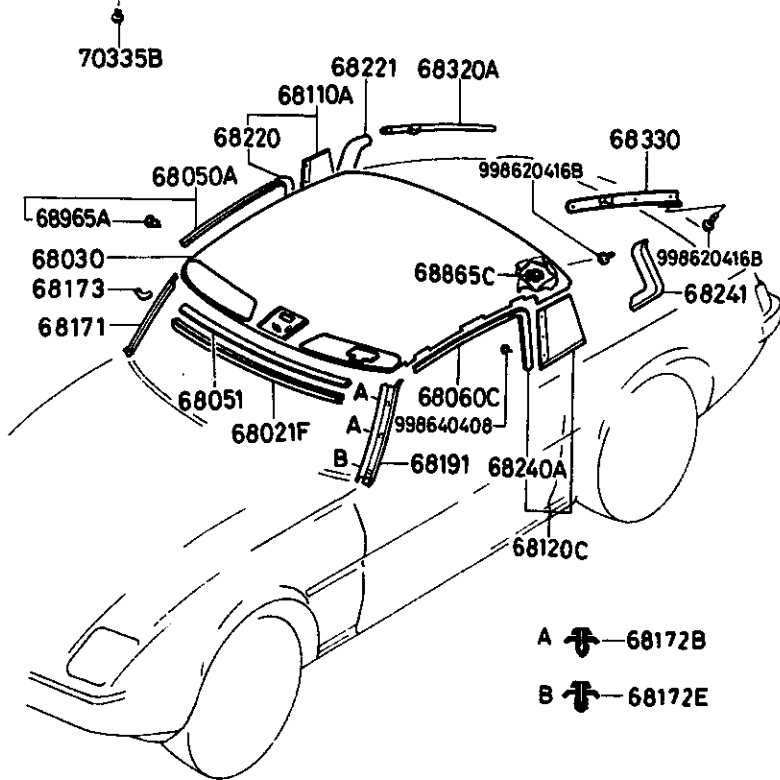
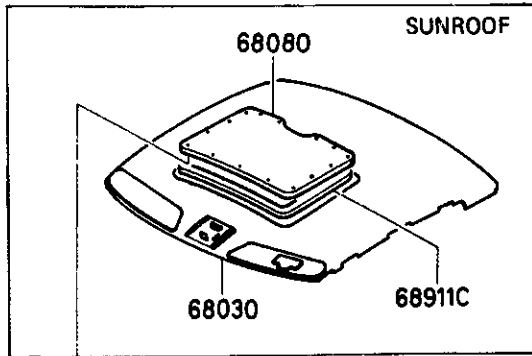
**6760A-1 REAR WINDOW WIPER MOTOR
(COMPONENTS ONLY)**

COMPONENTS OF 1480-67-450B
1480-67-450C



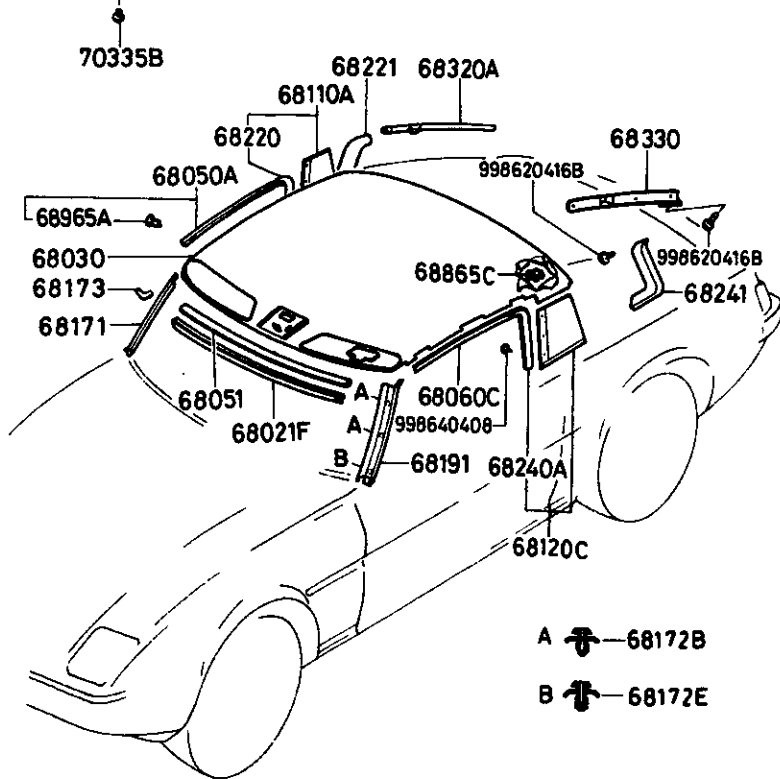
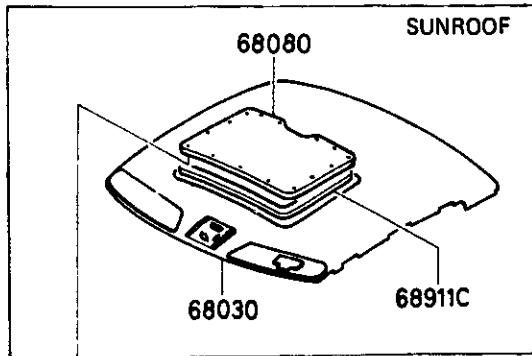
ITEM NO.	D-CODE	DESCRIPTION	PART NO.	QTY	MODEL/DESCRIPTION	REMARKS
	76 610	BOX, GEAR	1480-76-610	1		
	76 612A	PLATE, HOLDER-BRUSH	1480-76-612	1		
	76 614	YOKE, STATER	8532-76-614	2		
	76 617	BRUSH	8532-76-617	2		
	76 618	ROTOR	8532-76-618	1		
	76 619A	PARTS SET	1410-76-619	1		

6800A-1 CEILING TRIM



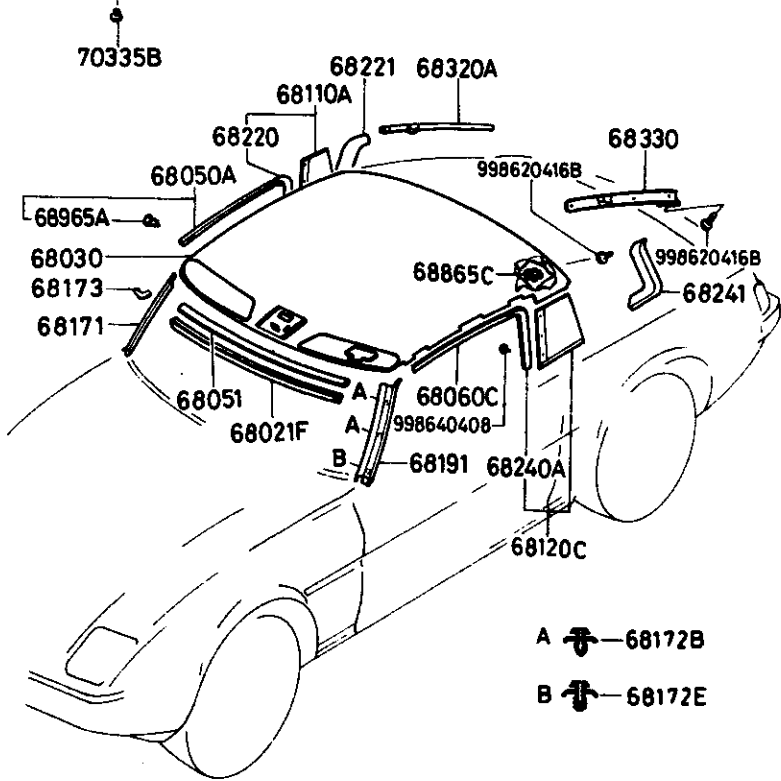
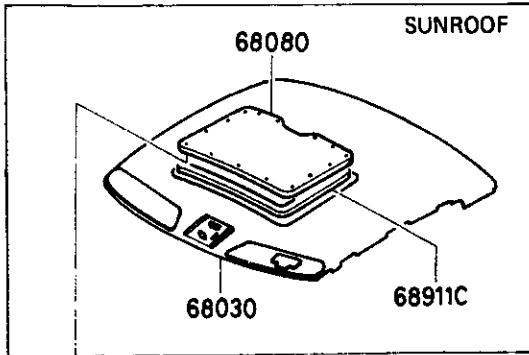
ITEM NO.	D-CODE	DESCRIPTION	PART NO.	QTY	MODEL/DESCRIPTION	REMARKS
68 021F		GARNISH, TOP-FRONT	FA01-68-021	1		FB331 ..642606- FB331 ..500001-642605
		BLACK	01			
		RED	10			
		TAN	29			
		BROWN	70			
68 030		CEILING, TOP	FA01-68-030C	1	'81 NORM. ROOF	
		BLACK	02			
		RED	10			
68 050A		GARNISH (R), TOP-SIDE	FA04-68-030C	1	SUNROOF	
		BLACK	00			
		RED	11			
		TAN	29			
68 051		PLATE, CEILING-FRONT	8871-53-041	1		
		BROWN	70			
		RED	11			
		TAN	29			
68 060C		GARNISH (L), TOP-SIDE	FA01-68-970B	1		
		BLACK	00			
		RED	11			
		TAN	29			
		BROWN	70			
68 080		CEILING, TOP	FA04-68-070A	1	SUNROOF	
		BLACK	02			
		RED	10			
		TAN	28			
68 110A		TRIM (R), CENTER PILLAR	FA01-68-110A	1		
		BLACK	00			
		RED	11			
		TAN	29			
68 120C		TRIM (L), CENTER PILLAR	FA01-68-120A	1		
		BLACK	00			
		RED	11			
		TAN	29			
68 171		TRIM (R), FRONT PILLAR	FA01-68-710	1		
		BLACK	00			
		RED	11			

6800A-2 CEILING TRIM



ITEM NO.	D-CODE	DESCRIPTION	PART NO.	QTY	MODEL/DESCRIPTION	REMARKS
68 171	(CONT'D)	TAN	29			
		BROWN	70			
68 172B		FASTENER, FR. P/TRIM	G001-68-172	6	'81 MODEL	FB331 ..500001-533893
				4		FB331 ..533894-
68 172E		FASTENER, FR. P/TRIM	FA01-68-172	2		FB331 ..533894-
68 173		SEALER, UPPER	8871-68-175	2		
68 191		TRIM (L), FR. PILLAR	FA01-68-190	1		
		BLACK	00			
		RED	11			
		TAN	29			
		BROWN	70			
68 220		GARNISH (R), CTR. TRIM	FA01-68-981	1		
		BLACK	00			
		RED	11			
		TAN	29			
		BROWN	70			
68 221		TRIM (R), CTR. PILLAR	8871-68-221A	1		
		BLACK	00			
		RED	11			
		TAN	29			
		BROWN	70			
68 240A		GARNISH (L), CTR. TRIM	FA01-68-991	1		
		BLACK	00			
		RED	11			
		TAN	29			
		BROWN	70			
68 241		TRIM (L), CTR. PILLAR	8871-68-241A	1		
		BLACK	00			
		RED	11			
		TAN	29			
		BROWN	70			
68 320A		TRIM (R), REAR PILLAR	8871-68-271A	1		
		BLACK	00			
		RED	11			
		TAN	29			
		BROWN	70			
68 330		TRIM (L), REAR PILLAR	8871-68-291A	1		
		BLACK	00			
		RED	11			
		TAN	29			

6800A-3 CEILING TRIM



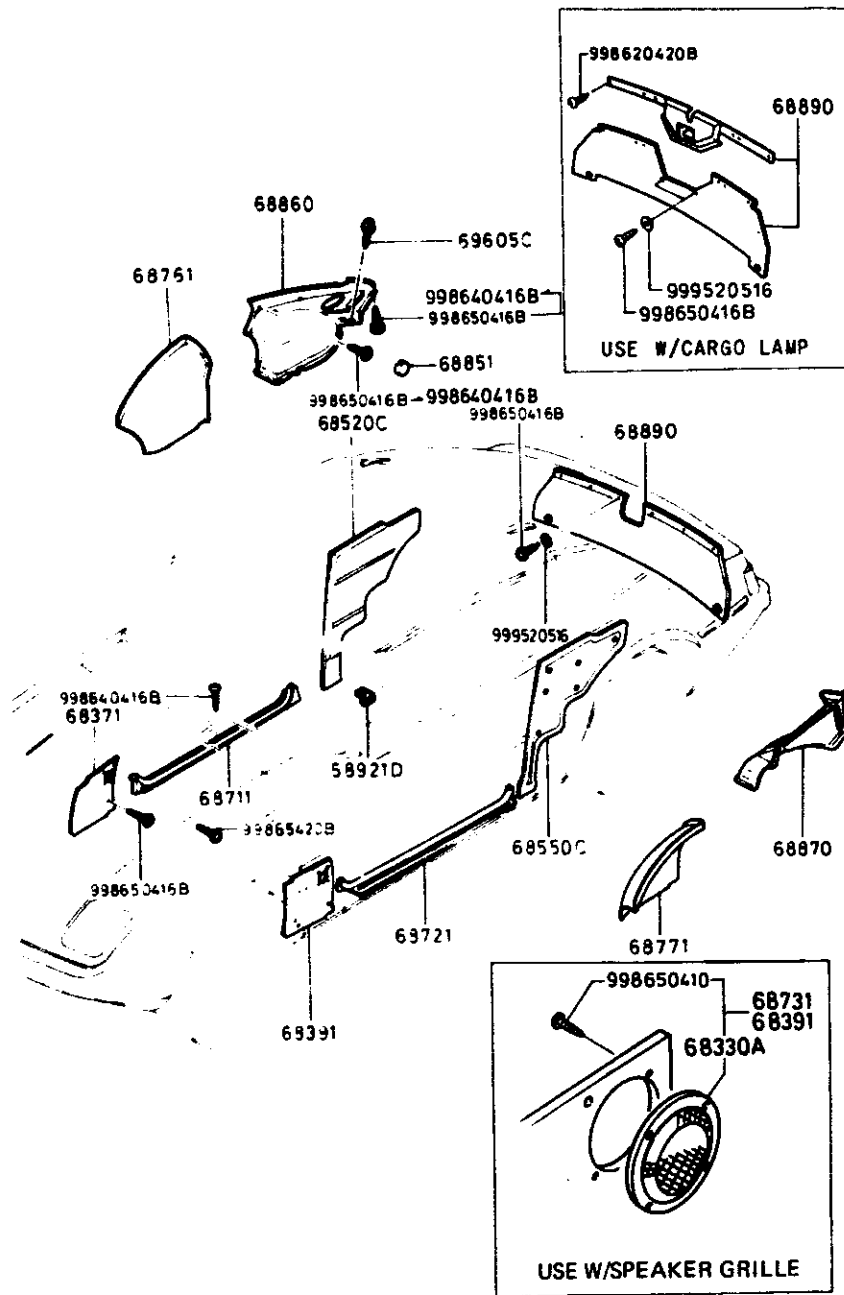
ITEM NO.	D-CODE	DESCRIPTION	PART NO.	QTY	MODEL/DESCRIPTION	REMARKS
68 330 (CONT'D)		BROWN	70			
68 865C		FASTENER	8D06-68-865	8		
68 911C		WELT, SEAMING	FA01-68-029A	1	SUNROOF	
68 965A		FASTENER	FA56-68-965	6		
70 335B		CLIP, CEILING	0305-70-335	4	NORM. ROOF	
				20	SUNROOF	

SECTION INDEX -- BODY

STARTING LOCATION	SECT. NO.	SECTION NAME	STARTING LOCATION	SECT. NO.	SECTION NAME	STARTING LOCATION	SECT. NO.	SECTION NAME
2 - C 3	0900A	KEY SETS	2 - E 8	6142A	COMPRESSOR MOUNTING KIT, COMPRESSOR/CLUTCH ASSEMBLY & REPAIR PARTS ('81 MODEL)	2 - 111	6900A	VISOR, ASSIST HANDLE & MIRRORS
2 - D 3	5000A	FRONT BUMPER	2 - F 8	6142AB	COMPRESSOR MOUNTING KIT, COMPRESSOR/CLUTCH ASSEMBLY & REPAIR PARTS ('82 MODEL)	2 - 111	6930A	CAUTION PLATES
2 - E 3	5005A	RADIATOR GRILLE	2 - G 8	6142AC	COMPRESSOR MOUNTING KIT, COMPRESSOR/CLUTCH ASSEMBLY & REPAIR PARTS ('83 MODEL)			
2 - F 3	5010A	REAR BUMPER	2 - H 8	6152A	EVAPORATOR PACKAGE ('81 MODEL)			
2 - G 3	5030A	WINDOW MOULDINGS	2 - I 8	6152AB	EVAPORATOR PACKAGE ('82 MODEL)			
2 - H 3	5040A	BODY MOULDINGS	2 - J 8	6152AC	EVAPORATOR PACKAGE ('83 MODEL)			
2 - I 3	5060A	SIDE PROTECTORS	2 - K 8	6230A	BACK DOOR MECHANISM			
2 - J 3	5100A	HEAD LAMPS	2 - L 8	6300A	WINDOW GLASSES			
2 - K 3	5103A	HEAD LAMP RETRACTORS	2 - M 8	6330A	SUNROOF (GSI)			
2 - L 3	5105A	FRONT COMBINATION & SIDE TURN LAMPS	2 - N 8	6600A	SWITCH & RELAY (ENGINE & TRANSMISSION)			
2 - M 3	5110A	REAR COMBINATION LAMPS	2 - C 9	6610A	DASHBOARD SWITCHES (MANUAL OPERATING)			
2 - N 3	5120A	LICENSE & REAR SIDE TURN LAMPS	2 - D 9	6611A	COMBINATION SWITCH			
2 - C 4	5125A	INTERIOR LAMPS (GS & GSI)	2 - E 9	6615A	POWER WINDOW SWITCH			
2 - D 4	5170A	ORNAMENTS	2 - F 9	6620A	DOOR, PARKING LAMP & KICK DOWN SWITCH			
2 - E 4	5180A	COWL & EXTRACTOR GRILLES	2 - G 9	6630A	RELAY (BODY)			
2 - F 4	5230A	HOOD	2 - H 9	6635A	HORN			
2 - G 4	5310A	BODY PANELS (FRONT)	2 - I 9	6640A	AUTO CRUISE CONTROL			
2 - I 4	5340A	BODY PANELS (SIDE & ROOF)	2 - J 9	6680A	AUDIO SYSTEM			
2 - J 4	5360A	BODY PANELS (FLOOR)	2 - M 9	6700A	WIRE HARNESS (FRONT & REAR)			
2 - K 4	5370A	FLOOR ATTACHMENTS	2 - N 9	6701A	WIRE HARNESS (ENGINE & TRANSMISSION)			
2 - L 4	5500A	DASHBOARD EQUIPMENT	2 - C 10	6702A	WIRE HARNESS (DASHBOARD)			
2 - N 4	5540A	METERS	2 - D 10	6703A	WIRE HARNESS (DOOR, FLOOR & CEILING)			
2 - C 5	5560A	DASHBOARD & RELATED	2 - E 10	6704A	WIRE HARNESS CLAMPS			
2 - E 5	5570A	CONSOLE	2 - F 10	6720A	WINDSHIELD WASHER			
2 - G 5	5580A	VENTILATOR	2 - G 10	6730A	WINDSHIELD WIPER			
2 - H 5	5700A	SEATS ('81 & '82) MODELS	2 - H 10	6740A	WIPER MOTOR (COMPONENTS ONLY)			
2 - C 6	5700AA	SEATS ('83 MODEL)	2 - I 10	6750A	REAR WINDOW WIPER & WASHER			
2 - H 6	5790A	SEAT BELTS	2 - J 10	6760A	REAR WINDOW WIPER MOTOR (COMPONENTS ONLY)			
2 - J 6	5800A	FRONT DOOR	2 - K 10	6800A	CEILING TRIM			
2 - K 6	5830A	FRONT DOOR MECHANISM	2 - C 11	6840A	TRIM & SCUFF PLATE			
2 - C 7	5840A	FRONT DOOR TRIM & RELATED PARTS	2 - F 11	6860A	FLOOR MATS & PADS			
2 - F 7	6100A	HEATER	2 - H 11	6870A	SERVICE TOOLS			
2 - G 7	6110A	HEATER UNIT						
2 - H 7	6115A	HEATER CONTROLS						
2 - I 7	6120A	HEATER BLOWER						
2 - J 7	6132A	CONDENSER PACKAGE ('81 MODEL)						
2 - L 7	6132AB	CONDENSER PACKAGE ('82 MODEL)						
2 - C 8	6132AC	CONDENSER PACKAGE ('83 MODEL)						

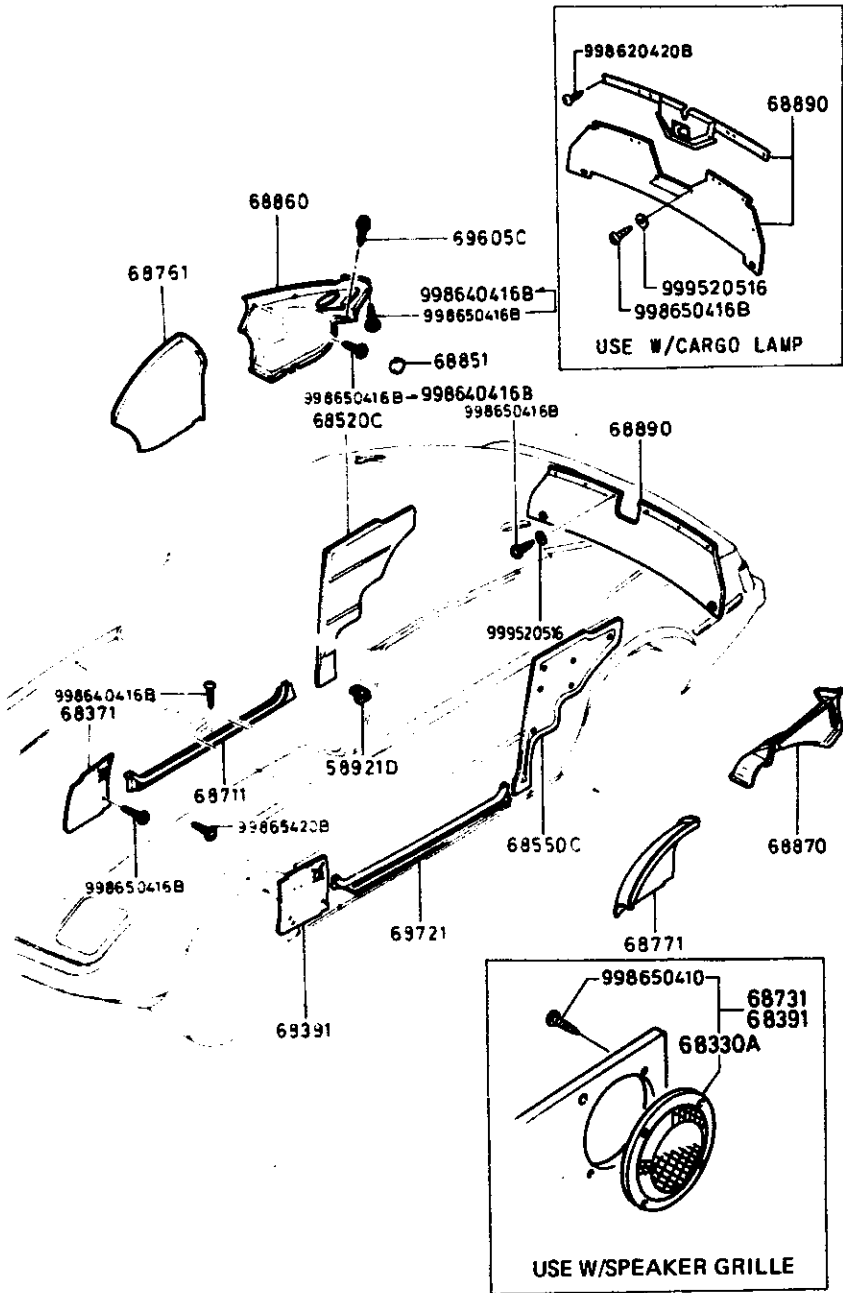
2 - B11

6840A-1 TRIM & SCUFF PLATE



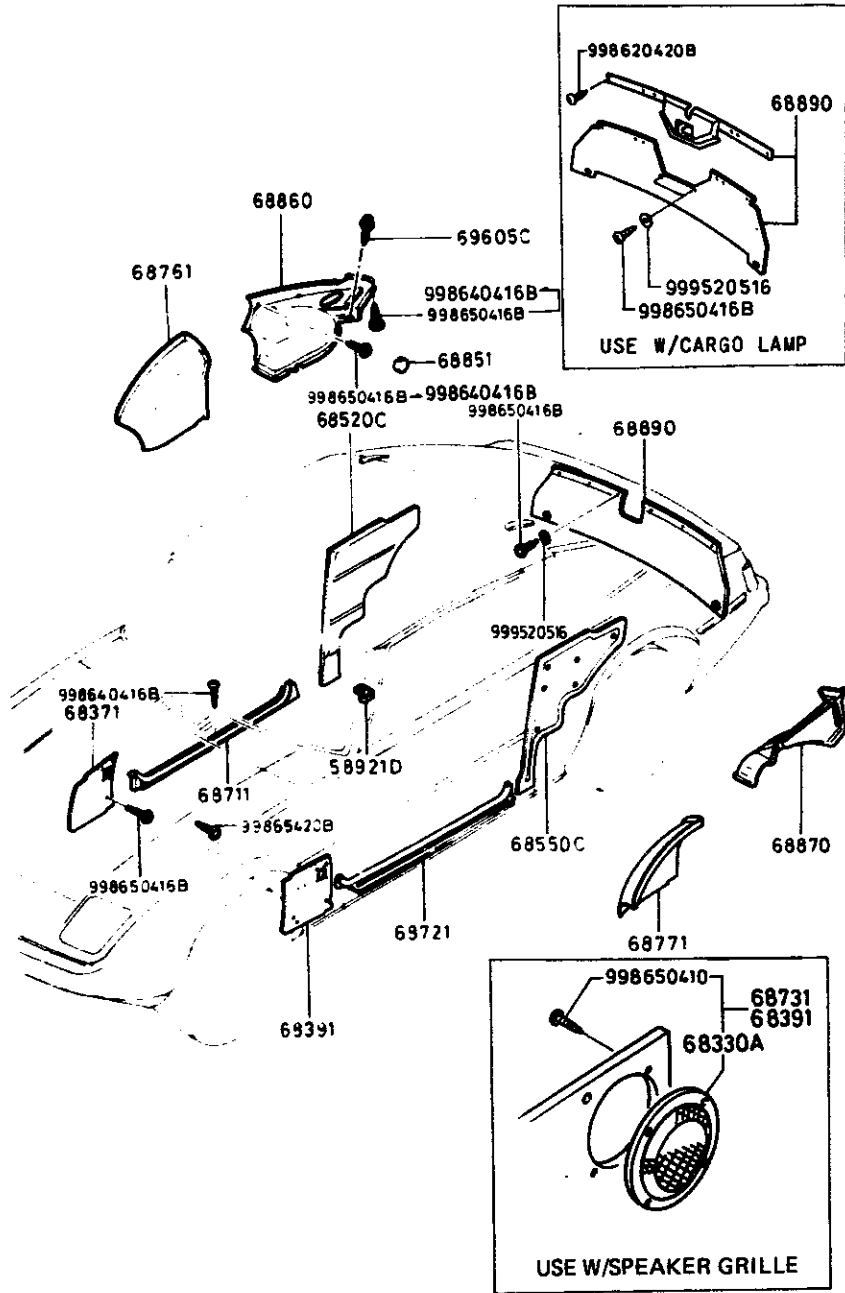
ITEM NO.	D-CODE	DESCRIPTION	PART NO.	QTY	MODEL/DESCRIPTION	REMARKS
58 921D		FASTENER	0208-58-921	10		
68 330A		GRILLE, SPEAKER	FA07-66-980	2	'83 MODEL	
68 371		TRIM (R), FRONT SIDE	FAG3-68-370	1	'81 & '82 MODELS	
		RED	12			
		TAN	72			
		BLACK	77			
		BROWN	85			
			FA42-68-370	1	'83 MODEL	
		RED	12			
		TAN	72			
		BLACK	77			
		BROWN	85			
68 391		TRIM (L), FRONT SIDE	FA03-68-390	1	'81 & '82 MODELS	
		RED	12			
		TAN	72			
		BLACK	77			
		BROWN	85			
			FA42-68-390	1	'83 MODEL	
		RED	12			
		TAN	72			
		BLACK	77			
		BROWN	85			
68 520C		TRIM (R), QUARTER	FA01-68-520D	1	(VINYL)	
		BLACK	01			
		RED	10			
		BROWN	70			
			FA02-68-520E	1	(CLOTH)	FB331 ..500001-600000
			FA04-68-520D	1	(LEATHER)	
		RED	10			
		TAN	29			
		BROWN	70			
68 550C		TRIM (L), QUARTER	FA01-68-550D	1	(VINYL)	
		BLACK	01			
		RED	10			
		BROWN	70			
			FA02-68-550E	1	(CLOTH)	
		BLACK	00			
		RED	10			
		BROWN	70			
			FA04-68-550D	1	(LEATHER)	

6840A-2 TRIM & SCUFF PLATE



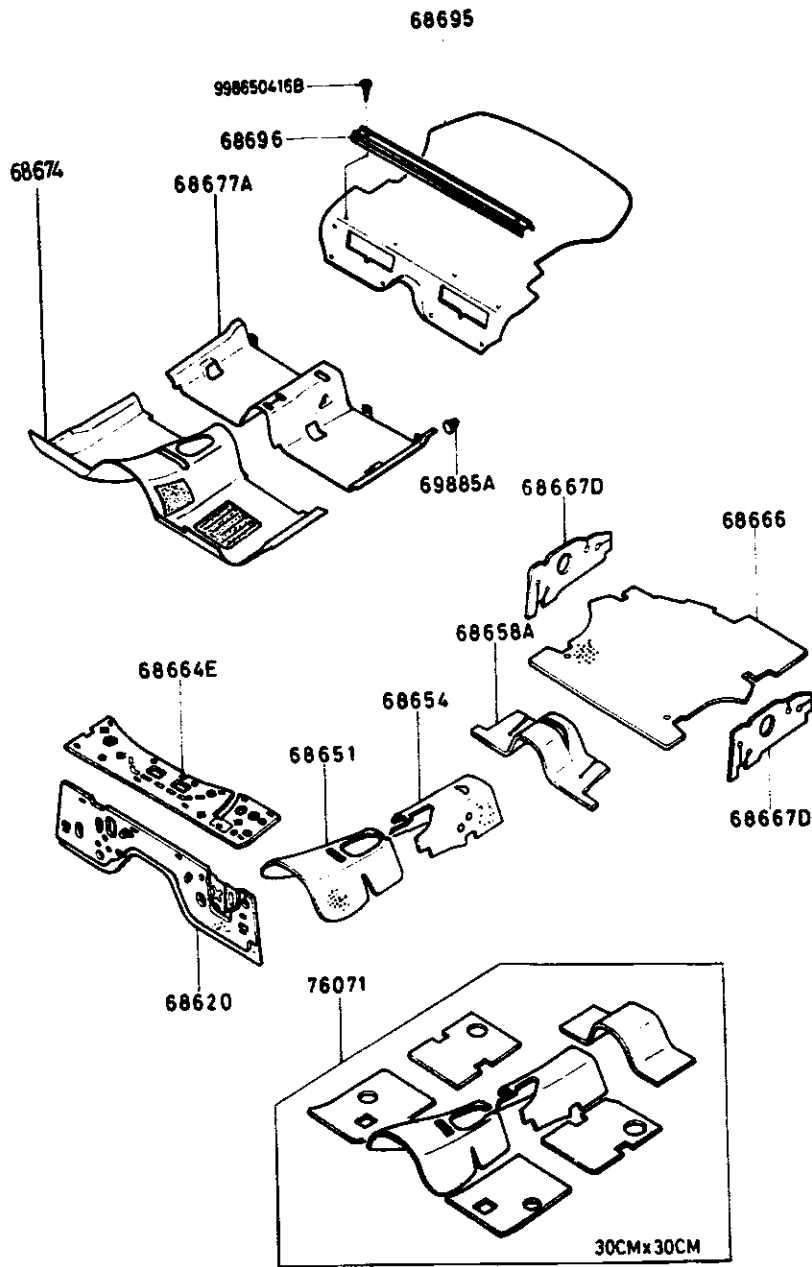
ITEM NO.	D-CODE	DESCRIPTION	PART NO.	QTY	MODEL/DESCRIPTION	REMARKS
68 550C	(CONT'D)	RED	10			
		BROWN	70			
68 711		PLATE (R), FRONT SCUFF	8871-68-710	1		
		BLACK	00			
		RED	10			
		TAN	29			
		BROWN	70			
68 721		PLATE (L), FRONT SCUFF	8871-68-720	1		
		BLACK	00			
		RED	10			
		TAN	29			
		BROWN	70			
68 761		TRIM (R), TIRE HOUSE	8871-68-770	1		
		BLACK	00			
		RED	11			
		TAN	29			
		BROWN	70			
68 771		TRIM (L), TIRE HOUSE	8871-68-790	1		
		BLACK	00			
		RED	11			
		TAN	29			
		BROWN	70			
68 851		CAP, TRUNK SIDE TRIM	8871-68-851	4		
		BLACK	00			
		RED	11			
		BROWN	70			
		TAN	71			
68 860		TRIM (R), TRUNK SIDE	8871-68-861A	1		
		BLACK	00			
		RED	11			
		TAN	29			
		BROWN	70			
68 870		TRIM (L), TRUNK SIDE	8871-68-871A	1		
		BLACK	00			
		RED	11			
		TAN	29			
		BROWN	70			
68 890		TRIM, TRUNK END	1480-68-890C	1	(USE W/ CARGO RR. LAMP)	
		BLACK	00			

6840A-3 TRIM & SCUFF PLATE



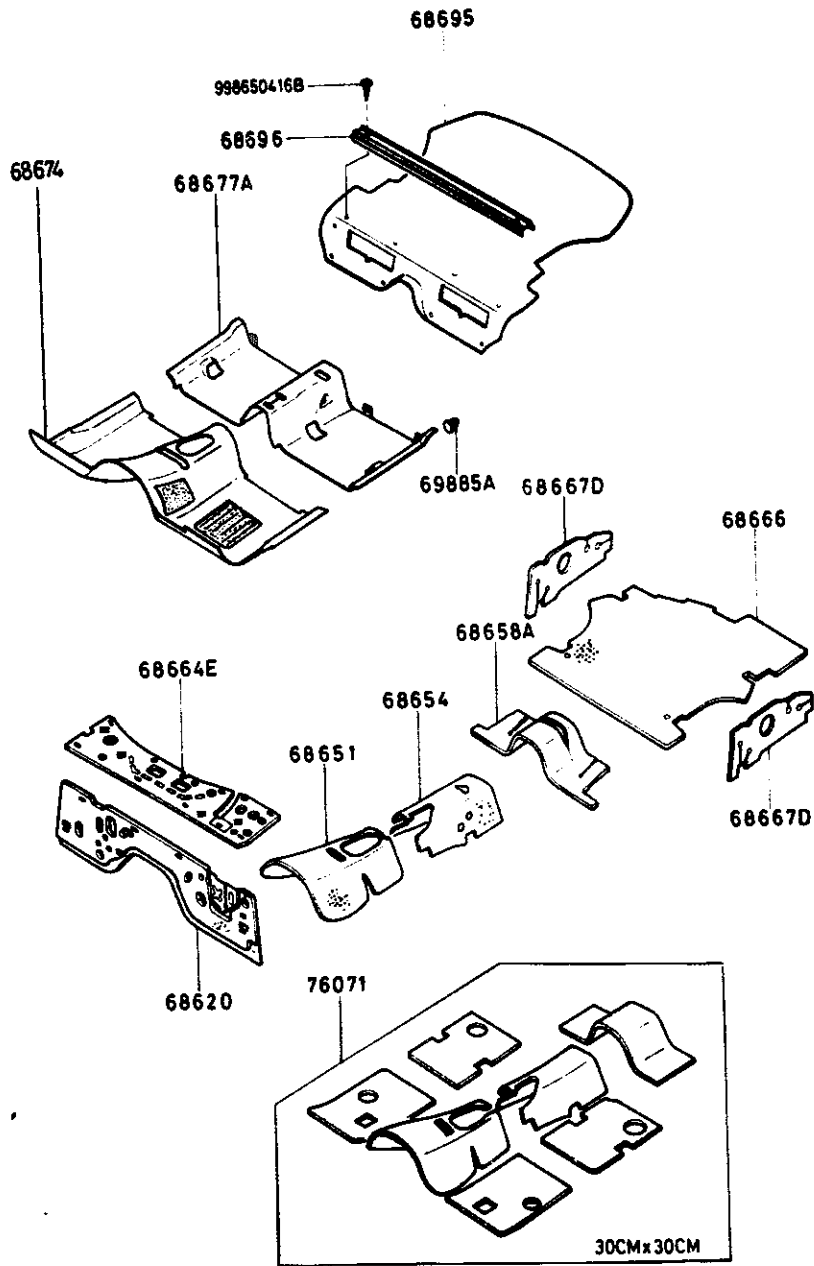
ITEM NO.	D-CODE	DESCRIPTION	PART NO.	QTY	MODEL/DESCRIPTION	REMARKS
68 890 (CONTD)		RED	11	1	(USE W/O CARGO LAMP)	
		TAN	29			
		BROWN	70			
			8341-68-890C			
		BLACK	00			
		RED	11			
		TAN	29			
69 605C		BROWN	70			
		HOOK, TRIM	8871-68-855	2		

6860A-1 FLOOR MATS & PADS



ITEM NO.	D-CODE	DESCRIPTION	PART NO.	QTY	MODEL/DESCRIPTION	REMARKS
68 620		INSULATOR, DASHBOARD	FA01-68-620B	1		
68 651		PAD (C), FLOOR-FRONT	FA01-68-651A	1		
68 654		PAD (C), FLOOR-REAR	1480-68-654A	1		
68 658A		PAD, STORAGE BOX	FA01-68-658	1		
68 664E		INSULATOR, DASH-UPPER	8871-68-664B	1		
68 666		PAD (L), FLOOR-TRUNK	FA01-68-666	1		
68 667D		PAD, TRUNK SIDE	8871-68-667A	2		
68 674		MAT, FRONT FLOOR	FA01-68-671B	1		
		BLACK	00			
		RED	11			
		BROWN	70			
68 677A		MAT, REAR FLOOR	FA02-68-677	1	[USE SMALL TYPE REAR CONSOLE] '81 MODEL	FB331 ..500001-600000
		BLACK	00			
		RED	11			
		BROWN	70			
			FA02-68-677A	1	[USE SMALL TYPE REAR CONSOLE] '82 & '83 MODELS	
		BLACK	00			
		RED	11			
		BROWN	70			
		TAN	72			
			FA01-68-677	1	[USE LARGE TYPE REAR CONSOLE] '81 MODEL	FB331 ..500001-600000
		BLACK	00			
		RED	11			
		BROWN	70			
			FA03-68-677	1	[USE LARGE TYPE REAR CONSOLE] '82 & '83 MODELS	
		BLACK	00			
		RED	11			
		BROWN	70			
		TAN	72			
68 695		MAT, TRUNK ROOM	FA01-68-695C	1		
		RED	11			
		BLACK	77			
		BROWN	85			
68 696		PLATE, MAT SET	8871-68-696B	1		
		OFF BLACK	65			

6860A-2 FLOOR MATS & PADS

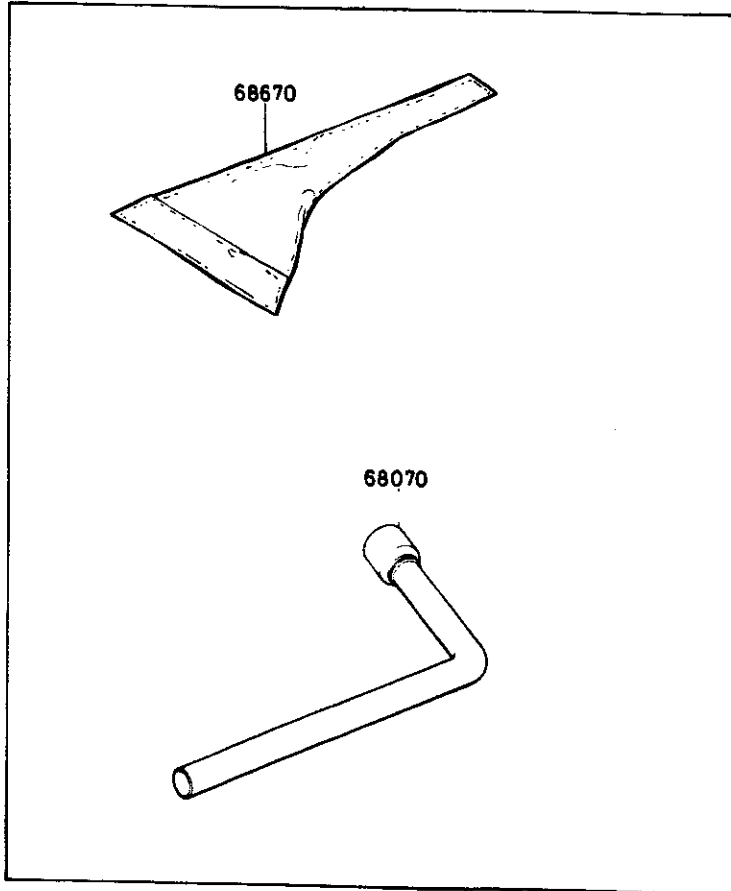


ITEM NO.	D-CODE	DESCRIPTION	PART NO.	QTY	MODEL/DESCRIPTION	REMARKS
69 885A		FASTENER BLACK	0866-69-885A 00	7		
76 071		SILENCER, FLOOR	0208-76-071	1	(30CM X 30CM)	

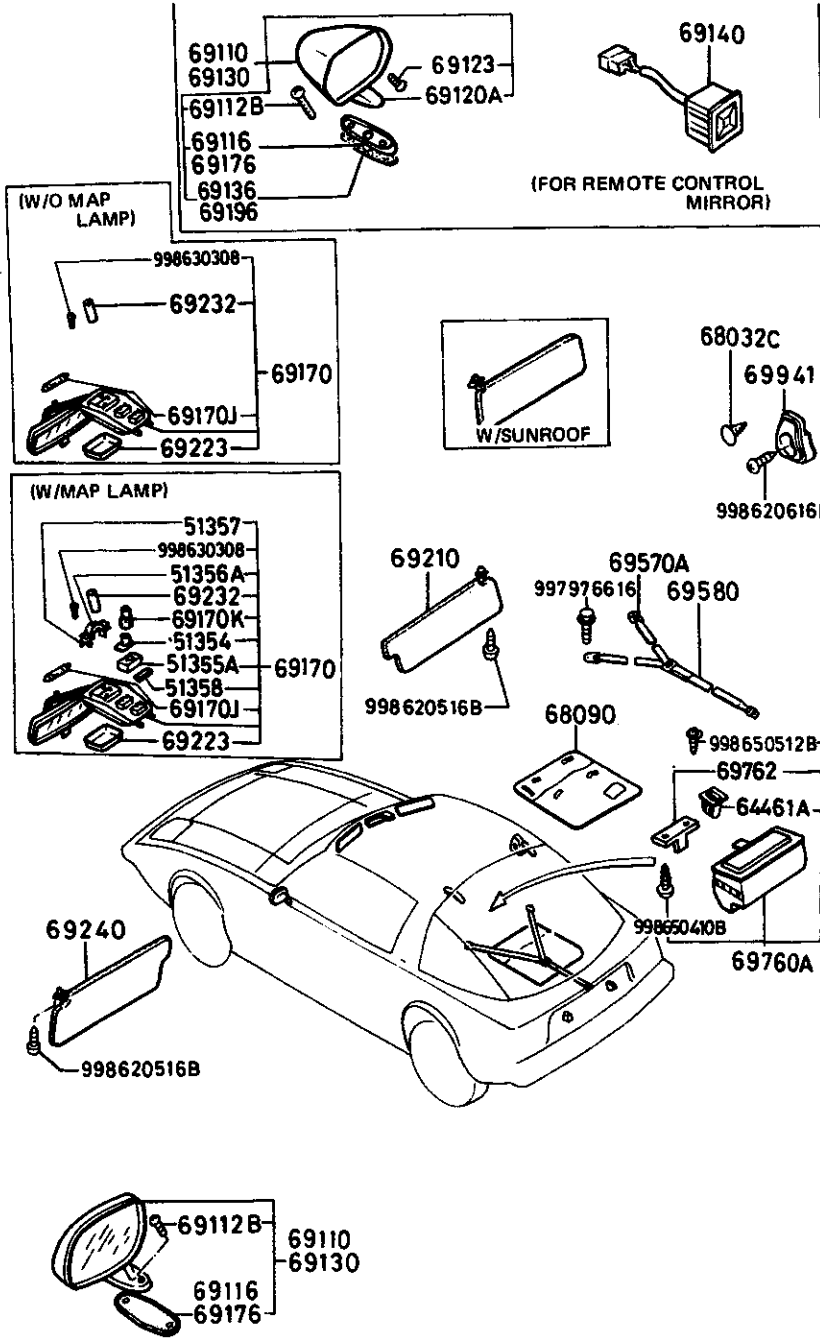
6870A-1 SERVICE TOOLS

ITEM NO.	D-CODE	DESCRIPTION	PART NO.	QTY	MODEL/DESCRIPTION	REMARKS
	68 070	WRENCH, HUB NUT	0810-68-070E	1		
	68 660A	TOOL SET	3781-69-650	1		
	68 670	BAG, TOOL	8173-69-670	1		

68660A

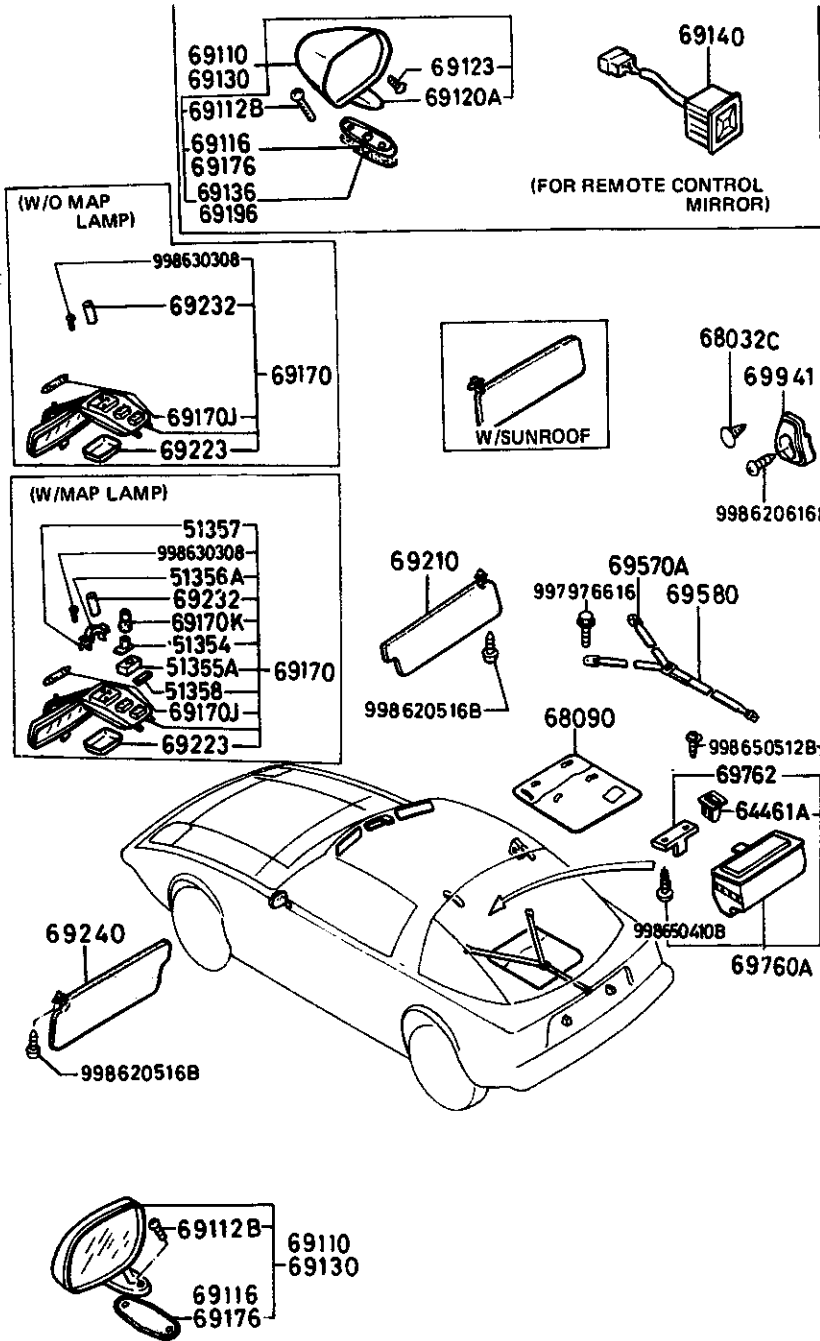


6900A-1 VISOR, ASSIST HANDLE & MIRRORS



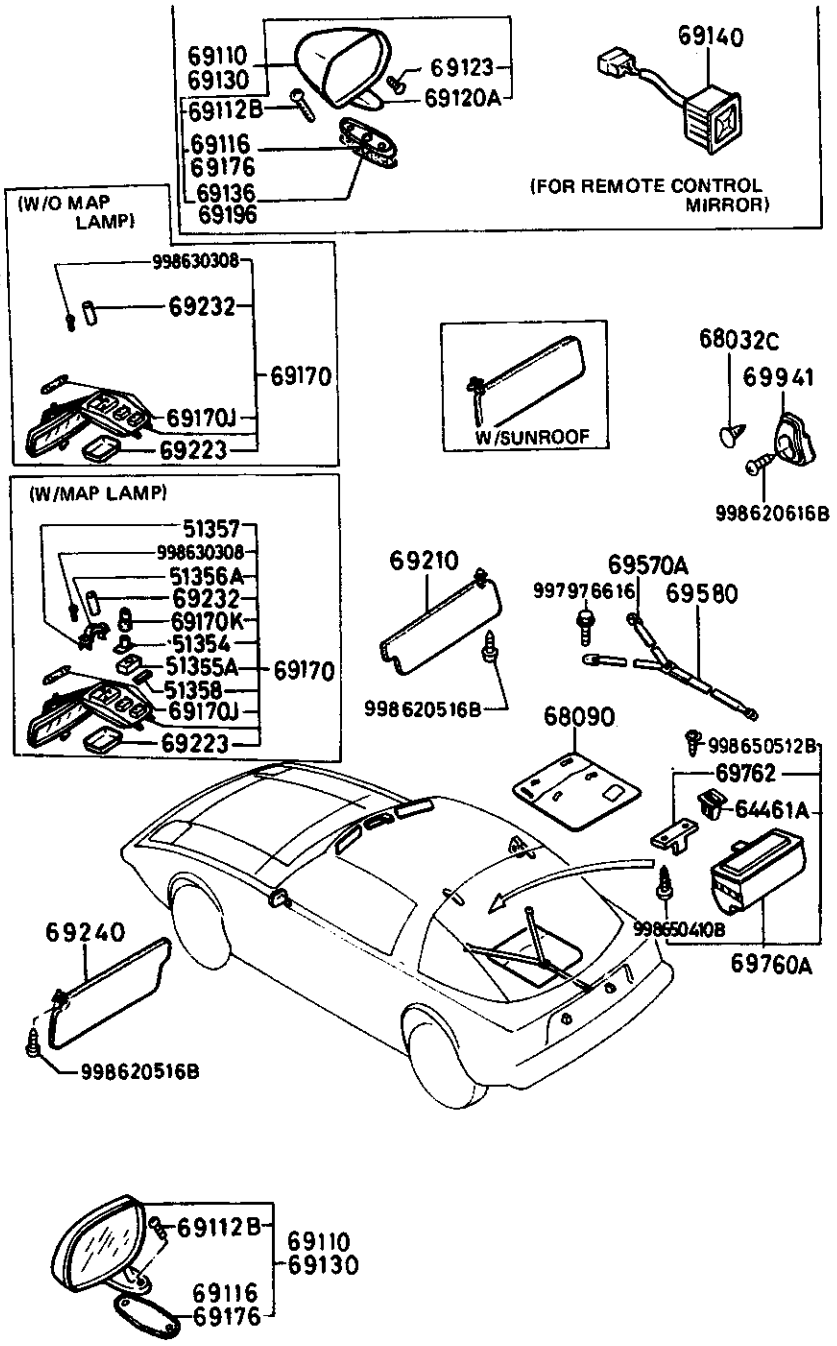
ITEM NO.	D-CODE	DESCRIPTION	PART NO.	QTY	MODEL/DESCRIPTION	REMARKS
51 354		SOCKET & HOLDER	FA01-51-354	1	(FOR MAP LAMP) GS & GSL MODELS	
51 355A		LAMP, SPOT	FA01-51-355A	1	(FOR MAP LAMP) GS & GSL MODELS	
51 356A		PLATE	FA01-51-356	1	(FOR MAP LAMP) GS & GSL MODELS	
51 357		BRACKET 'A'	FA01-51-357	1	(FOR MAP LAMP) GS & GSL MODELS	
51 358		BRACKET 'B'	FA01-51-358	1	(FOR MAP LAMP) GS & GSL MODELS	
64 461A		STRIKER, STORAGE BOX BLACK	1011-64-461A 00	2	'82 & '83 MODELS	FB331 ..629395-
68 032C		FASTENER BLACK RED BROWN TAN	FA24-68-032 00 11 70 71	1	(USE W/ COAT HANGER)	
68 090		BAG, SUNROOF	8973-68-090C	1	SUNROOF	FB331 ..600001-
69 110		MIRROR (R), REAR VIEW	8341-69-110A	1	(REMOTE CONTROL TYPE) '81 MODEL GS & GSL MODELS	FB331 ..500001-503735
				1		FB331 ..503736-
			8871-69-110B	1	(MANUAL TYPE) S MODEL	
69 112B		SCREW, MIRROR	8218-69-118	4	(USE W/ REM. CONTROL MIRROR) '83 MODEL GS & GSL MODELS	
			8341-69-178	4	(USE W/ REM. CONTROL MIRROR) GS & GSL MODELS	FB331 ..503736
			8871-69-178	4	(USE W/ MANUAL MIRROR) S MODEL	
69 116		BASE (R), MIRROR	8341-69-131	1	(USE W/ REM. CONTROL MIRROR) GS & GSL MODELS	FB331 ..503736-
			8871-69-117A	1	(USE W/ MANUAL MIRROR) S MODEL	
69 120A		STAY (R), MIRROR	8341-69-122	1	'83 MODEL	
		STAY (L), MIRROR	8341-69-182	1	'83 MODEL	
69 123		SCREW, MIRROR	8341-69-123	4	'83 MODEL	
69 130		MIRROR (L), REAR VIEW	8341-69-170A	1	(REMOTE CONTROL TYPE) '81 MODEL GS & GSL MODELS	FB331 ..500001-503735
				1		FB331 ..503736-

6900A-2 VISOR, ASSIST HANDLE & MIRRORS



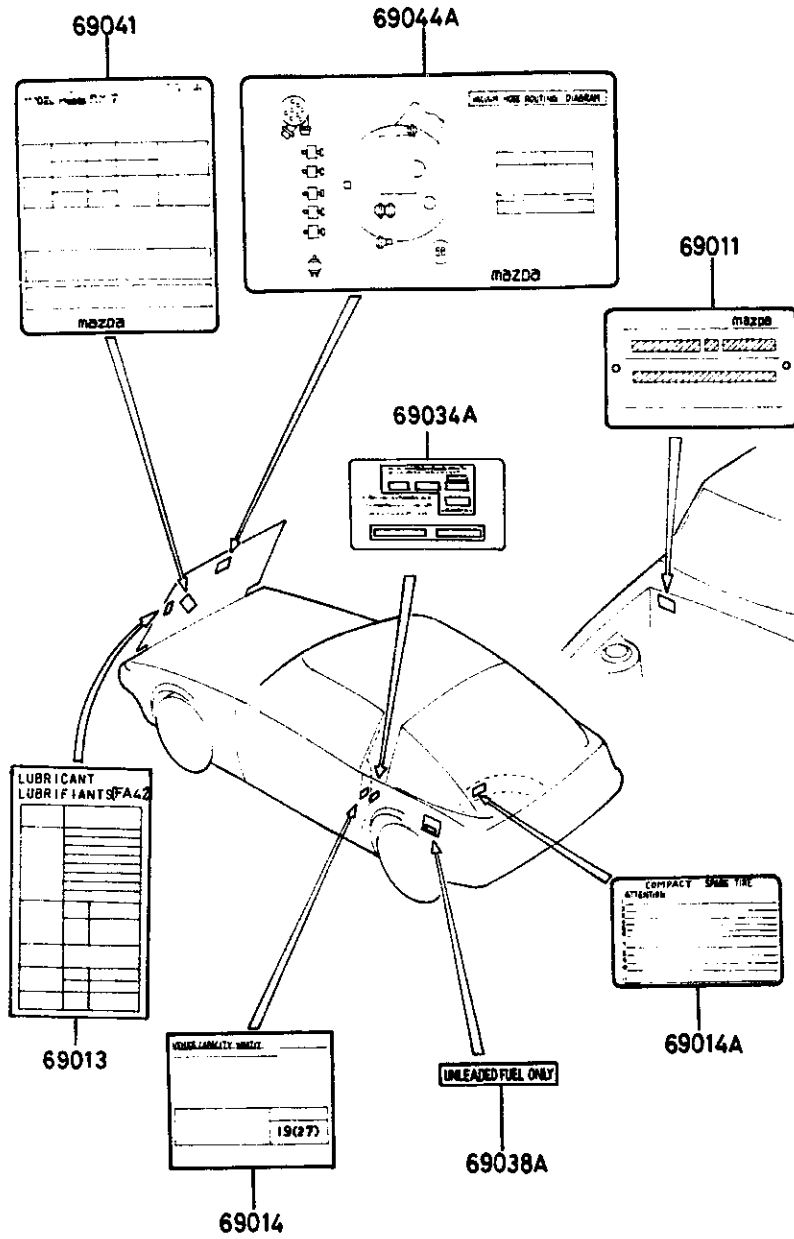
ITEM NO.	D-CODE	DESCRIPTION	PART NO.	QTY	MODEL/DESCRIPTION	REMARKS
69 130	(CONT'D)		8871-69-170B	1	(MANUAL TYPE)	
69 136		GASKET (R), MIRROR	8341-69-115	1	S MODEL	
69 140		SWITCH, MIRROR	FA02-66-600A	1	[USE W/ REM. CONTROL	FB331 ..503736-
69 170		MIRROR, INTERIOR	FA01-69-220A	1	GS & GSL MODELS	
			FA03-69-220A	1	(W/ MAP LAMP)	
				1	GS & GSL MODELS	
				1	(W/O MAP LAMP)	
				1	S MODEL	
69 170J		BULB	0000-11-3175	1	(A12V 10W)	
69 170K		BULB	0000-11-0194	1	(A12V 5W)	
69 176		BASE (L), MIRROR	8341-69-191	1	[USE W/ REM. CONTROL MIRROR]	FB331 ..503736-
			8871-69-177	1	[USE W/ MANUAL MIRROR]	FB331 ..500001-507335
				1	'81 MODEL	
				1	S MODEL	
			< A >	1	[USE W/ MANUAL MIRROR]	FB331 ..507336-
				1	S MODEL	
69 196		GASKET (L), MIRROR	8341-69-116	1	[USE W/ REM. CONTROL MIRROR]	FB331 ..503736-
				1	GS & GSL MIRRORS	
69 210		SUN VISOR (R)	8341-69-270	1		
		BLACK	02			
		RED	10			
		TAN	28			FB331 ..600001-
		BROWN	70			
69 223		LENS, INTERIOR MIRROR	FA01-51-351A	1		
69 232		STOPPER, RUBBER	FA01-69-232	1		
69 240		SUN VISOR (L)	FA04-69-320	1	SUNROOF	
		BLACK	02			
		RED	10			
		TAN	28			FB331 ..600001-
		BROWN	70			
			8341-69-320	1	NORM. ROOF	
		BLACK	02			
		RED	10			
		TAN	28			
		BROWN	70			FB331 ..600001-
69 570A		STRAP 'A', CARGO ROOM	8341-69-570	1		
		BLACK	00			
		WINE	10			
		BROWN	20			

6900A-3 VISOR, ASSIST HANDLE & MIRRORS



ITEM NO.	D-CODE	DESCRIPTION	PART NO.	QTY	MODEL/DESCRIPTION	REMARKS
69 570A (CONT'D)		TAN	29			FB331 ..600001-
69 580		STRAP 'B', CARGO ROOM	8341-69-580	1		
		BLACK	00			
		WINE	10			
		BROWN	20			
		TAN	29			FB331 ..600001-
69 760A		BOX, STORAGE	FA01-69-760	2	'81 & '82 MODELS	
		BLACK	00			
		RED	11			
		TAN	29			FB331 ..600001-
		BROWN	70			
			FA42-69-760A	2	'83 MODEL	
		BLACK	00			
		RED	11			
		TAN	29			
		BROWN	70			
69 762		PLATE, LOCK	FA42-69-762	2		
69 941		HANGER, COAT	0376-69-941	1		
		BLACK	01			
			<AN>	1		
		BLACK	0376-69-941B	1		
			01			

6930A-1 CAUTION PLATES



ITEM NO.	D-CODE	DESCRIPTION	PART NO.	QTY	MODEL/DESCRIPTION	REMARKS
69 011		PLATE MODEL	8595-69-011B	1		
69 013		LABEL OIL	FA42-69-013	1	'83 MODEL	
69 014		LABEL TIRE	8871-69-014C	1	'81 & '82 MODELS	
			FA42-69-014B	1	'83 MODEL	
69 014A		LABEL, TEMPORARY TIRE	FA02-69-073A	1		
69 034A		LABEL, CAUTION-MVSS	8374-69-034A	1		
69 038A		LABEL, GASOLINE	FA01-69-065	1		
		BLACK	00			
		WHITE	01			
69 041		LABEL, EMISSION	N201-69-036	1	CAL. '81 MODEL	
			N203-69-036	1	FED. '81 MODEL	
			N223-69-036	1	CAL. '82 MODEL	
			N221-69-036	1	FED. '82 MODEL	
			N231-69-036	1	FED. '83 MODEL	
			N233-69-036	1	CAL.	
69 044A		LABEL, VACUUM DIAPHRAGM	N201-69-044A	1	'81 MODEL	
			N221-69-044	1	'82 MODEL	
			N231-69-044A	1	'83 MODEL	