

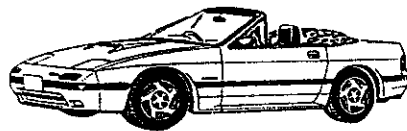
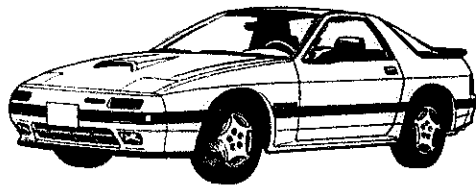
This file is available for free download at <http://www.iluvmyrx7.com>



www.iluvmyrx7.com

Parts Catalog

Mazda RX-7
U.S.A.
('91 ▶ '92)



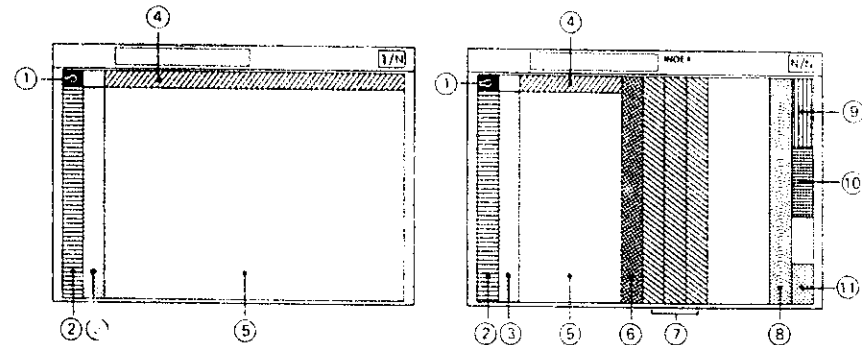
FC3 *** -900001-950000
FC35 * -100001-200000

Jan. '94 (FINAL)
Catalog No. AU-FA03-07

MAZDA
© 1994 Mazda Motor Corporation

LAYOUT OF CONTENTS / DISPOSITION TYPOGRAPHIQUE DE CONTENU / DISPOSICION DEL CONTENIDO / ANORDNUNG DES INHALTS


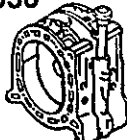

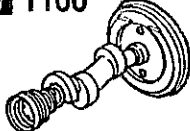


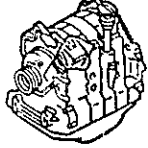
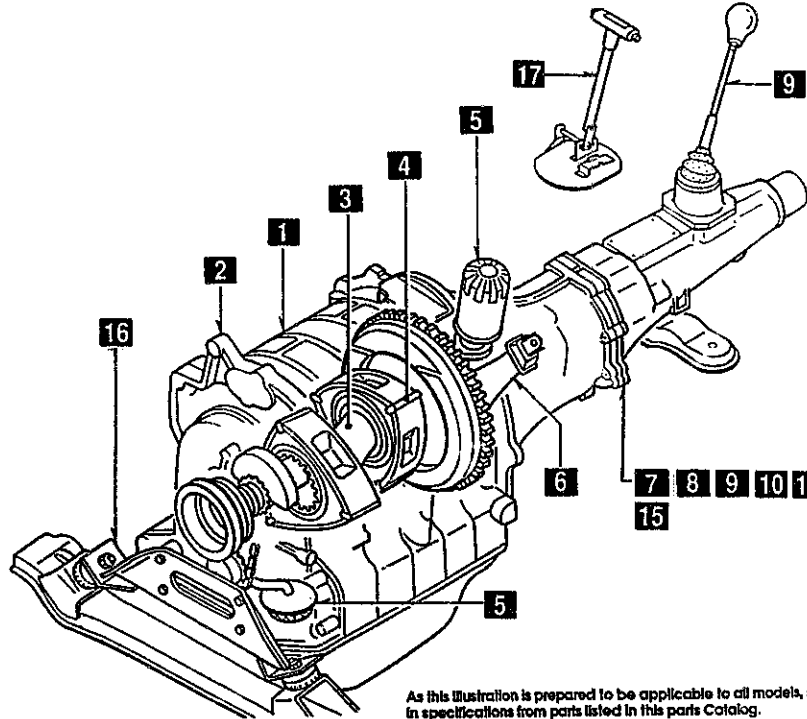
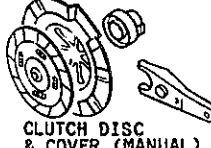

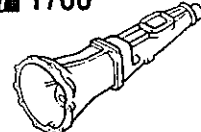

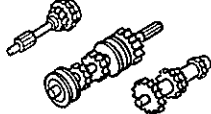
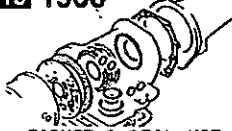
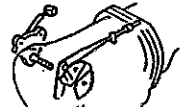
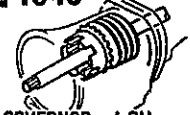


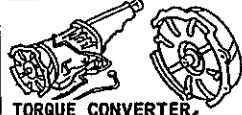
- The following is a typical example of the layout of contents on Mazda microfiche parts catalog.
- Voici un exemple typique de la disposition typographique de contenu dans les microfiches de catalogue des pièces de Mazda.
- El siguiente es un ejemplo típico de la disposición del contenido en una microficha del catálogo de repuestos de Mazda.
- Folgendes ist ein typisches Beispiel der Inhaltsanordnung des Mazda-Mikrofiche-Teilekatalogs.



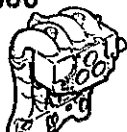




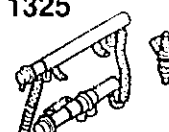
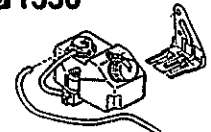
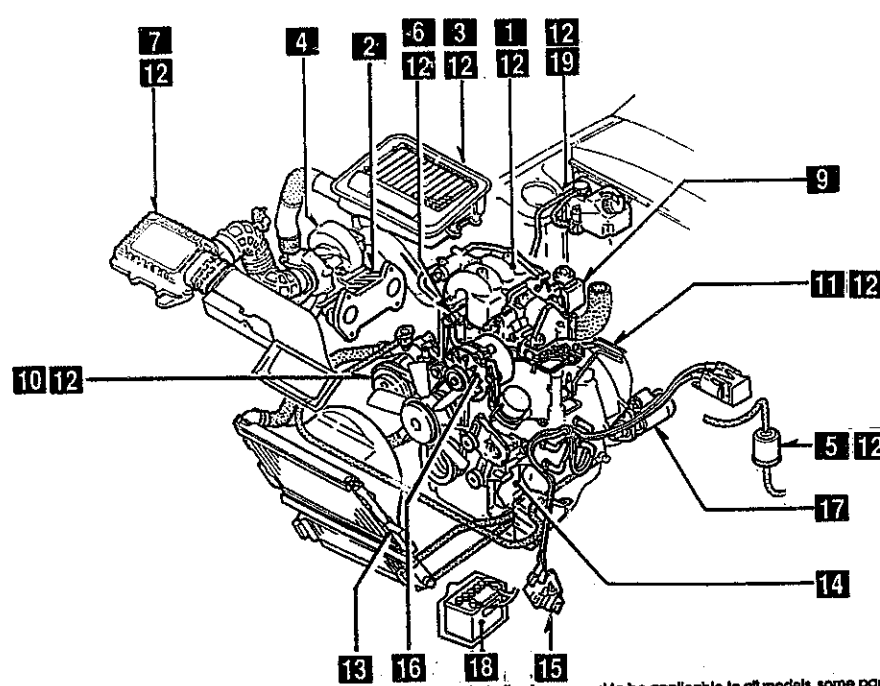
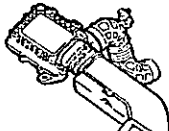
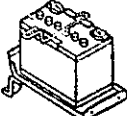
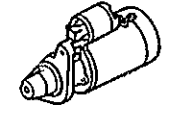
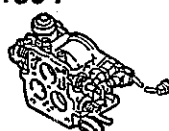
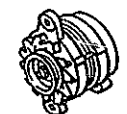

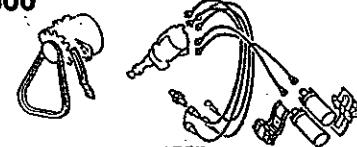
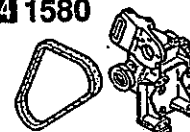
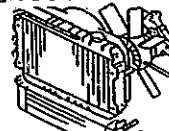

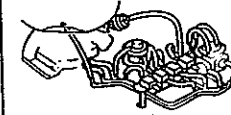
Remark : The items listed under ④ have been deleted from each fiche since Dec. '93

- | | | |
|--|---|--|
| ① • Layout of contents
• Disposition Typographique de Contenu
• Disposición del contenido
• Anordnung des Inhalts | ② • Pictorial Index
• Index par Schémas
• Índice Gráfico
• Illustrierter Index | ③ • Master Section No. Index
• Index des Numéros des Sections Totale
• Índice del Número de la Sección Maestra
• Hauptabschnittsnummer-Index |
| ④ • Section No. Index for the Column
• Index des Numéros des Sections pour les Colonnes
• N° de la Sección para el Índice
• Abschnittsnummer-Index für die Spalte | ⑤ • Illustration & Text
• Illustrations et Textes
• Ilustración y Texto
• Abbildung und Text | ⑥ • Part No. Index
• Index des Numéros des Pièces
• Índice del N° de Pieza
• Teile-Nr.-Index |
| ⑦ • Alphabetical Index
• Index Alphabétique
• Índice Alfabético
• Alphabetischer Index | ⑧ • Model Identification
• Identification des Modèles
• Identificación del Modelo
• Modell-Kennzeichnung | ⑨ • Vehicle Identification System
• Système d'Identification de Véhicule
• Sistema de Identificación de Vehículo
• Fahrzeug-Identifikationssystem |

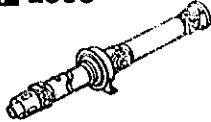
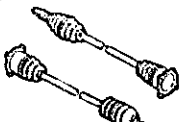
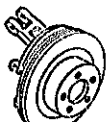

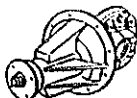
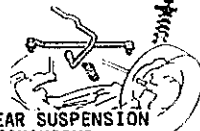
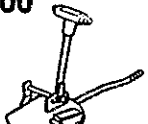
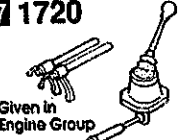
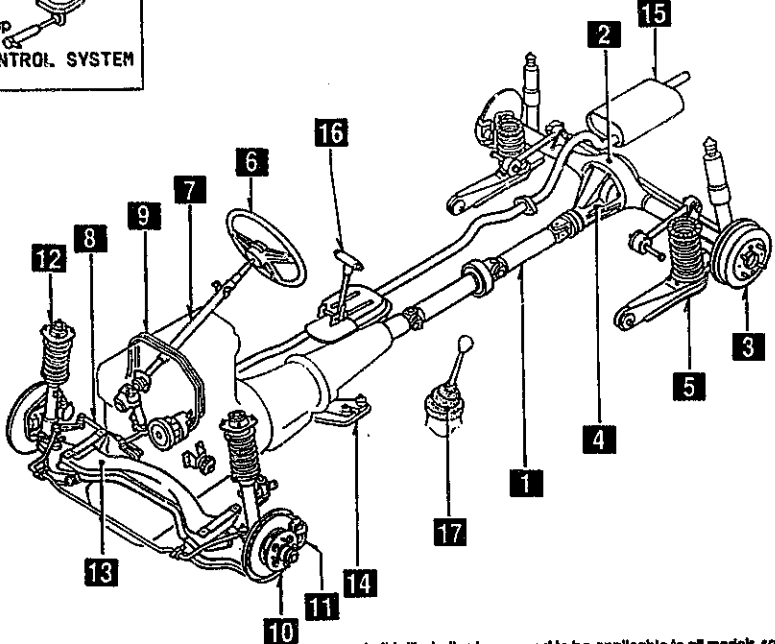
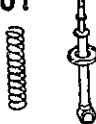
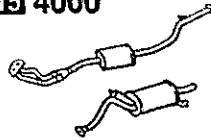
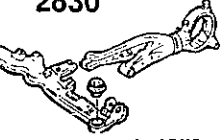


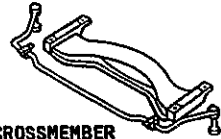




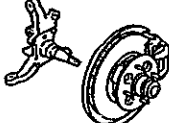

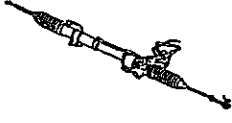
PICTORIAL INDEX

<p>1000</p>  <p style="text-align: center;">ROTOR HOUSINGS</p>	<p>1 1030</p>  <p style="text-align: center;">ROTOR HOUSINGS</p>	<p>2 1040</p>  <p style="text-align: center;">OIL PAN, FRONT & REAR HOUSING</p>	<p>3 1100</p>  <p style="text-align: center;">ECCENTRIC SHAFT & FLYWHEEL</p>	<p>4 1110</p>  <p style="text-align: center;">ROTORS & RELATED PARTS</p>	<p>5 1400</p>  <p style="text-align: center;">OIL PUMP & FILTER</p>
<p>SHORT ENGINE & GASKET SETS</p> 	<p style="font-size: 24px; font-weight: bold;">ENGINE (1/2)</p> 				<p>6 1600</p>  <p style="text-align: center;">CLUTCH DISC & COVER (MANUAL)</p>
<p>17 4600</p> <p style="font-size: 8px;">Given in Chassis Group</p>  <p style="text-align: center;">CHANGE CONTROL SYSTEM (AT)</p>	<p style="font-size: 8px;">As this illustration is prepared to be applicable to all models, some parts are different in specifications from parts listed in this parts Catalog.</p>				<p>7 1700</p>  <p style="text-align: center;">TRANSMISSION CASE (MANUAL)</p>
<p>16 3900</p> <p style="font-size: 8px;">Given in Chassis Group</p>  <p style="text-align: center;">ENGINE & TRANSMISSION MOUNTINGS</p>	<p style="font-size: 8px;">As this illustration is prepared to be applicable to all models, some parts are different in specifications from parts listed in this parts Catalog.</p>				<p>8 1710</p>  <p style="text-align: center;">TRANSMISSION GEARS (MANUAL)</p>
<p>15 1960</p>  <p style="text-align: center;">GASKET & SEAL KIT (AUTOMATIC)</p>	<p>14 1950</p>  <p style="text-align: center;">MANUAL LINKAGE SYSTEM (AUTOMATIC)</p>	<p>13 1940</p>  <p style="text-align: center;">GOVERNOR, LOW & REVERSE PISTON (AUTOMATIC)</p>	<p>12 1930</p>  <p style="text-align: center;">CLUTCHES & PLANETARY GEARS (AUTOMATIC)</p>	<p>11 1920 & 1925</p>  <p style="text-align: center;">TRANSMISSION CASE & MAIN CONTROL SYSTEM (AUTOMATIC)</p>	<p>10 1910</p>  <p style="text-align: center;">TORQUE CONVERTER, OIL PUMP & PIPINGS (AUTOMATIC)</p>

PICTORIAL INDEX

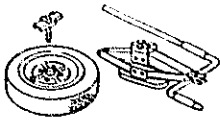

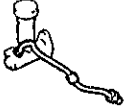


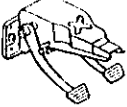
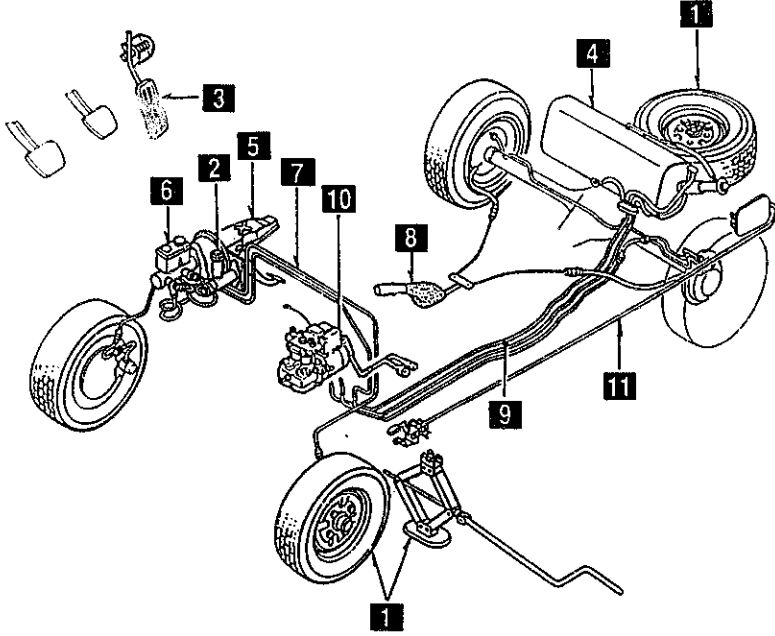
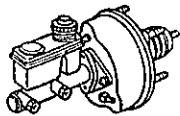



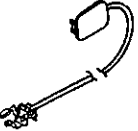
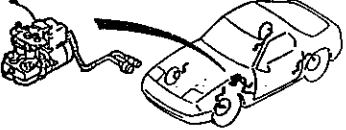
1 1300  INLET MANIFOLD	2 1310  EXHAUST MANIFOLD	3 1311  INTER COOLER	4 1312  TURBO CHARGER	5 1320  FUEL SYSTEM	6 1325  FUEL DISTRIBUTOR
19 1350  STARTING ASSIST SYSTEM	<h2 style="margin: 0;">ENGINE (2/2)</h2> 				7 1330  AIR CLEANER
18 1850  BATTERY	As this illustration is prepared to be applicable to all models, some parts are different in specifications from parts listed in this parts Catalog.				8
17 1840  STARTER	(Continuation of engine diagram)				9 1364  THROTTLE BODY
16 1830  ALTERNATOR	(Continuation of engine diagram)				10 1371  AIR PUMP & AIR CONTROL VALVE
15 1800  ENGINE ELECTRICAL SYSTEM	14 1580  BRACKET, PULLEY & BELT	13 1500  COOLING SYSTEM	12 1399  CAP & HOSE CLIP (INLET & EXHAUST SIDE)	11 1380  EMISSION CONTROL SYSTEM	

PICTORIAL INDEX

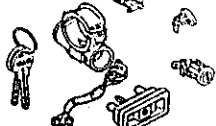
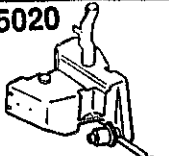

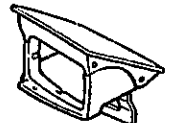
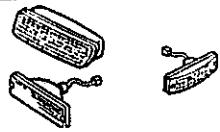
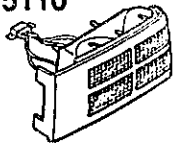
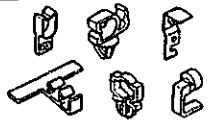
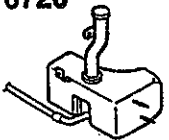
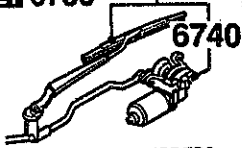

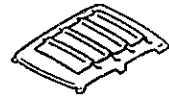
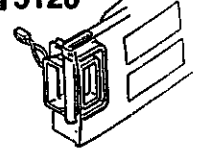

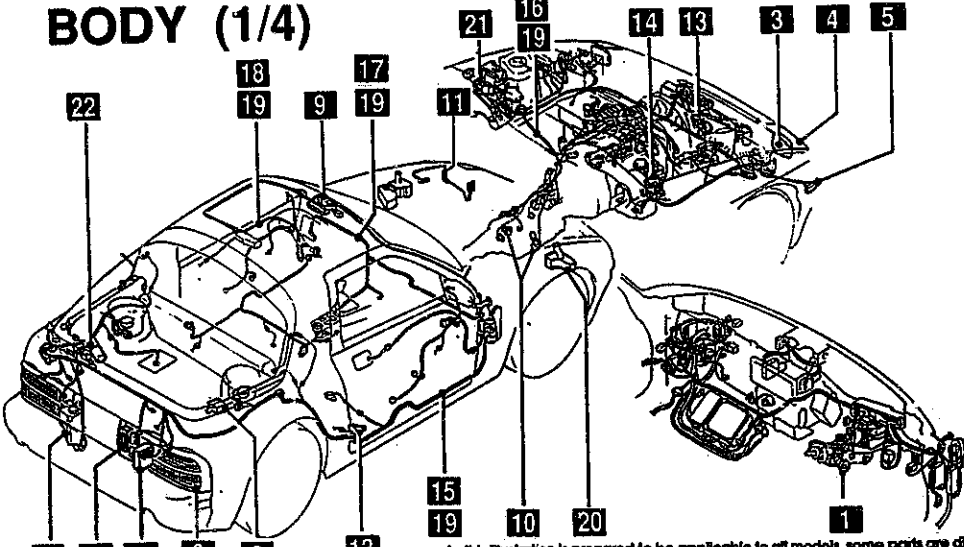
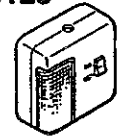
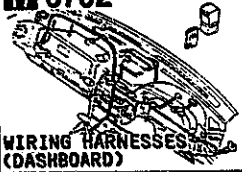




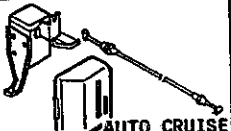

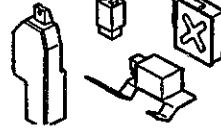

<p>1 2505</p>  <p>REAR PROPELLER SHAFT</p>	<p>2 2550</p>  <p>REAR DRIVE SHAFT</p>	<p>2600</p>  <p>REAR AXLE</p>	<p>3 2610</p>  <p>REAR BRAKE MECHANISMS</p>	<p>4 2710</p>  <p>REAR DIFFERENTIALS</p>	<p>5 2800 & 2810</p>  <p>REAR SUSPENSION MECHANISMS</p>
<p>13 4600</p>  <p>CHANGE CONTROL SYSTEM (AT)</p>	<p>17 1720</p> <p>Given in Engine Group</p>  <p>CHANGE CONTROL SYSTEM (MANUAL)</p>	<h2 style="margin: 0;">CHASSIS (1/2)</h2> 			<p>2801</p>  <p>REAR SPRING & DAMPER</p>
<p>15 4000</p>  <p>EXHAUST SYSTEM</p>				<p>2830</p>  <p>REAR LOWER ARMS & SUB FRAME</p>	
<p>14 3900</p>  <p>ENGINE & T/MISSION MOUNTINGS</p>				<p>6 3200</p>  <p>STEERING WHEEL</p>	
<p>13 3410</p>  <p>CROSSMEMBER & STABILIZER</p>				<p>7 3210</p>  <p>STEERING COLUMN & SHAFTS</p>	
<p>12 3401</p>  <p>FRONT SPRING & DAMPER</p>	<p>3400</p>  <p>FRONT SUSPENSION MECHANISMS</p>	<p>11 3310</p>  <p>FRONT BRAKE MECHANISMS</p>	<p>10 3300</p>  <p>FRONT AXLE</p>	<p>9 3240</p>  <p>POWER STEERING SYSTEM</p>	<p>8 3220</p>  <p>STEERING GEAR</p>

As this illustration is prepared to be applicable to all models, some parts are different in specifications from parts listed in this parts Catalog.

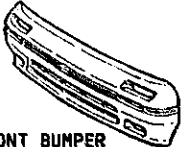
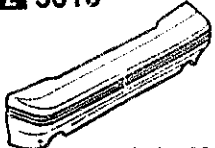

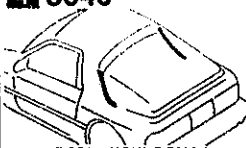



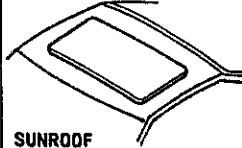

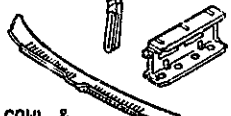

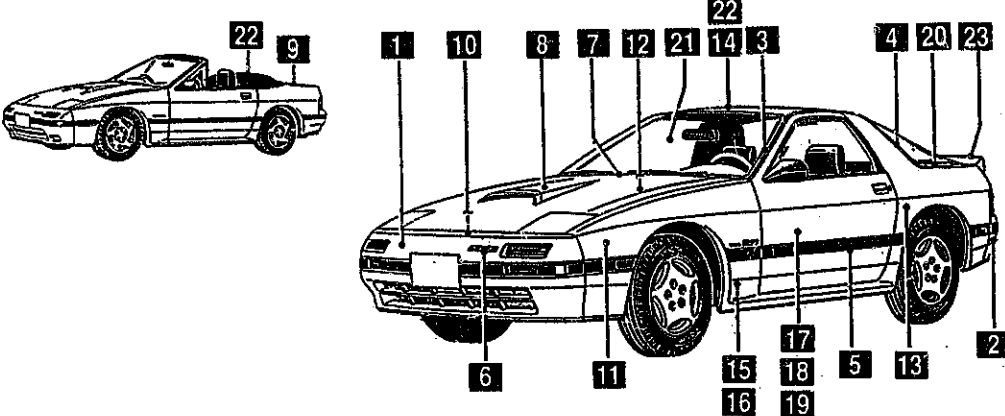
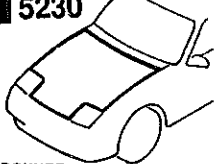


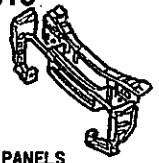


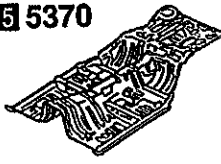

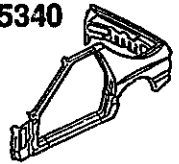

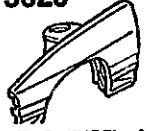
PICTORIAL INDEX

<p>1 3700</p>  <p style="text-align: center;">TIRES & JACK</p>	<p>2 4140</p>  <p style="text-align: center;">CLUTCH RELEASE & MASTER CYLINDERS (MANUAL TRANSMISSION)</p>	<p>4145</p>  <p style="text-align: center;">CLUTCH PIPINGS (MANUAL TRANSMISSION)</p>	<p>3 4160</p>  <p style="text-align: center;">ACCELERATOR CONTROL SYSTEM</p>	<p>4 4200</p>  <p style="text-align: center;">FUEL TANK</p>	<p>5 4300</p>  <p style="text-align: center;">CLUTCH & BRAKE PEDALS</p>
<h3 style="margin: 0;">CHASSIS (2/2)</h3> 					
<p style="font-size: small;">As this illustration is prepared to be applicable to all models, some parts are different in specifications from parts listed in this parts Catalog.</p>					
					<p>6 4340</p>  <p style="text-align: center;">BRAKE MASTER CYLINDER & POWER BRAKE</p>
					<p>7 4360</p>  <p style="text-align: center;">BRAKE PIPINGS</p>
					<p>8 4400</p>  <p style="text-align: center;">PARKING BRAKE SYSTEM</p>
					<p>9 4500</p>  <p style="text-align: center;">FUEL PIPINGS</p>
			<p>11 4210</p>  <p style="text-align: center;">FUEL LID OPENER</p>	<p>10 4370</p>  <p style="text-align: center;">ANTILOCK BRAKE SYSTEM</p>	

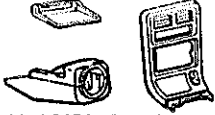
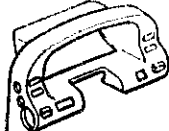
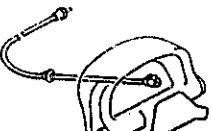
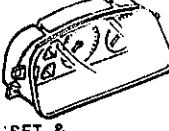
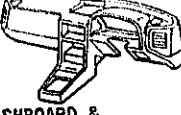
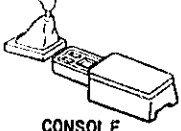
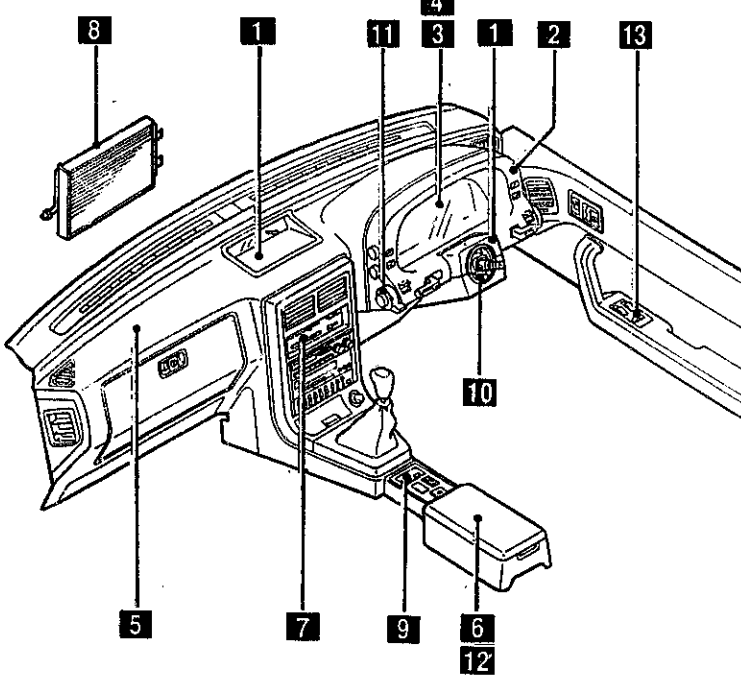


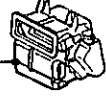

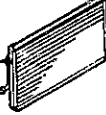




PICTORIAL INDEX

<p>1 0900</p>  <p>KEY SETS</p>	<p>2 5020</p>  <p>HEAD LAMP CLEANER</p>	<p>3 5100</p>  <p>HEAD LAMPS</p>	<p>4 5103</p>  <p>HEAD LAMP RETRACTORS</p>	<p>5 5105</p>  <p>FRONT COMBINATION LAMPS</p>	<p>6 5110</p>  <p>REAR COMBINATION LAMPS</p>
<p>19 6704</p>  <p>WIRING HARNESS CLAMPS</p>	<p>20 6720</p>  <p>WINDSHIELD WASHER</p>	<p>21 6730</p>  <p>WINDSHIELD WIPERS</p>	<p>22 6750</p>  <p>WINDOW WIPER & WASHER (REAR)</p>	<p>23 6800</p>  <p>CEILING TRIMS</p>	<p>7 5120</p>  <p>LICENSE LAMPS</p>
<p>18 6703</p>  <p>WIRING HARNESSES (DOOR, FLOOR/CEILING)</p>	<p>BODY (1/4)</p>  <p style="font-size: small; text-align: center;">As this illustration is prepared to be applicable to all models, some parts are different in specifications from parts listed in this parts Catalog.</p>				<p>8 5125</p>  <p>INTERIOR LAMPS</p>
<p>17 6702</p>  <p>WIRING HARNESSES (DASHBOARD)</p>					<p>9 5130</p>  <p>OVERHEAD CONSOLE</p>
<p>16 6701</p>  <p>WIRING HARNESSES (ENGINE & T/MISSION)</p>					<p>10 6600</p>  <p>SWITCHES & RELAYS (ENGINE)</p>
<p>15 6700</p>  <p>WIRING HARNESSES (FRONT & REAR)</p>	<p>14 6640</p>  <p>AUTO CRUISE CONTROL SYSTEM</p>	<p>13 6635</p>  <p>DOOR SWITCH & HORNS</p>	<p>12 6630</p>  <p>RELAYS & UNIT (BODY)</p>	<p>11 5795</p>  <p>AIR BAG</p>	

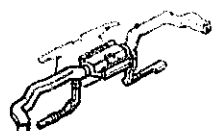



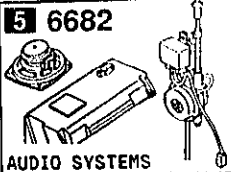

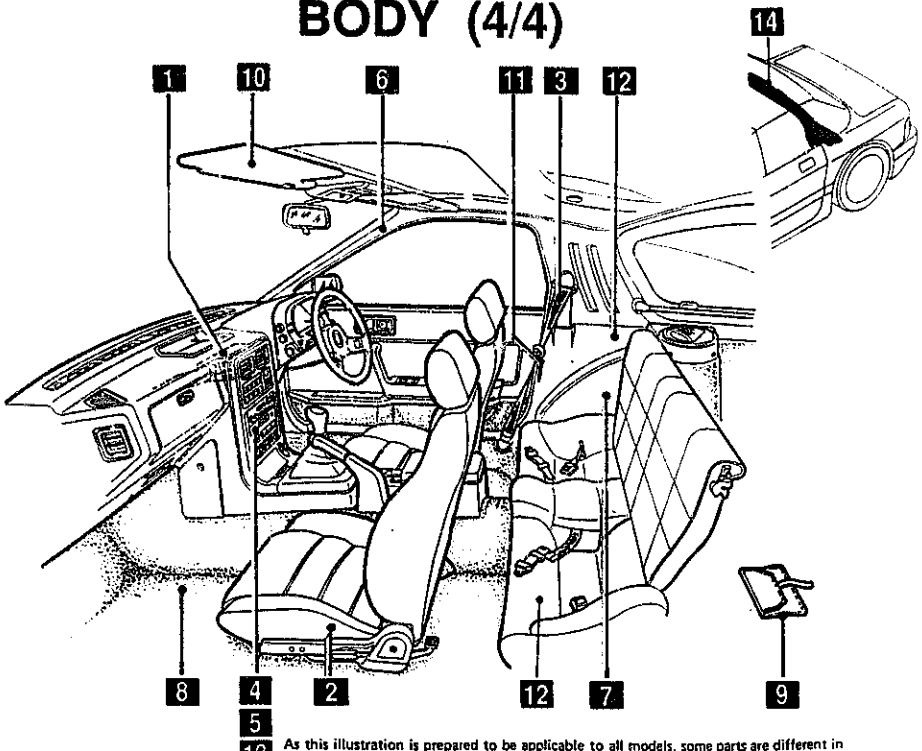

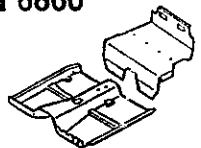

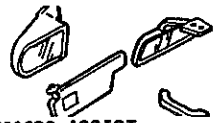
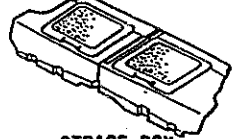
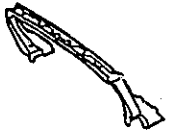
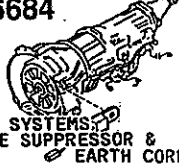


PICTORIAL INDEX

<p>1 5000</p>  <p>FRONT BUMPER</p>	<p>2 5010</p>  <p>REAR BUMPER</p>	<p>3 5030</p>  <p>WINDOW MOULDINGS</p>	<p>4 5040</p>  <p>BODY MOULDINGS</p>	<p>5 5060</p>  <p>SIDE PROTECTORS</p>	<p>6 5170</p> <p style="text-align: center;">RX-7 MAZDA</p> <p>ORNAMENTS</p>
<p>20 6230</p>  <p>LIFT GATE MECHANISMS</p>	<p>21 6300</p>  <p>WINDOW GLASSES</p>	<p>22 6330</p>  <p>SUNROOF</p>	<p>23 7800</p>  <p>SPOILERS & RELATED PARTS</p>	<p>7 5180</p>  <p>COWL & EXTRACTOR GRILLES</p>	
<p>19 5840</p>  <p>FRONT DOOR TRIMS & RELATED PARTS</p>	<p style="font-size: 2em; font-weight: bold;">BODY (2/4)</p> 				<p>8 5230</p>  <p>BONNET</p>
<p>18 5830</p>  <p>FRONT DOOR MECHANISMS</p>	<p>9 5260</p>  <p>TRUNK LID</p>				<p>10 5310</p>  <p>FRONT PANELS</p>
<p>17 5800</p>  <p>FRONT DOORS</p>	<p>16 5390</p> <p>5380</p>  <p>FLOOR ATTACHMENTS</p>	<p>15 5370</p>  <p>FLOOR PANELS</p>	<p>14 5360</p>  <p>ROOF PANELS</p>	<p>13 5340</p>  <p>SIDE PANELS</p>	<p>12 5330</p>  <p>DASH & COWL PANELS</p>
<p>11 5320</p>  <p>FENDER & WHEEL APRON PANELS</p>					

PICTORIAL INDEX

1 5500  DASHBOARD EQUIPMENTS	2 5520  METER HOOD	3 5530  SPEEDOMETER CABLE	4 5540  METER SET & METER COMPONENTS	5 5560  DASHBOARD & RELATED PARTS	6 5570  CONSOLE
BODY (3/4) 					
<small>As this illustration is prepared to be applicable to all models, some parts are different in specifications from the parts listed in this parts catalog.</small>					
7 6120  6100  6110  6115 HEATER 					
8 6130  6130  6140  6135  6150 					
AIR CONDITIONER					

PICTORIAL INDEX

1 5580  VENTILATOR	2 5700  SEATS	3 5790  SEAT BELTS	4 6680  AUDIO SYSTEMS (RADIO & TAPE DECK)	5 6682  AUDIO SYSTEMS (ANTENNA & SPEAKER)	6 6820  FRONT HEADER TRIM & PILLAR TRIMS	
BODY (4/4) 						7 6840  TRIMS & SCUFF PLATES
						8 6860  FLOOR MATS & PADS
						9 6870  SERVICE TOOLS
						10 6900  VISORS, ASSIST HANDLES & MIRRORS
<p style="text-align: center;">13 As this illustration is prepared to be applicable to all models, some parts are different in specifications from the parts listed in this parts catalog.</p>						
15 6845  STORAGE BOX		14 6810  ROLLERBAR	16 6684  AUDIO SYSTEMS (NOISE SUPPRESSOR & EARTH CORD)	12 7250  QUARTER WINDOW & TRIMS	11 6930  CAUTION PLATES & LABELS	

SECTION NAME INDEX (ENGINE)

LO.NO	SEC.NO	SECTION NAME	LO.NO	SEC.NO	SECTION NAME	LO.NO	SEC.NO	SECTION NAME
1-C03	1000	ENGINE & GASKET SETS (W/O TURBO)	1-C09	1600	CLUTCH DISC & COVER (MANUAL) (W/O TURBO)			
1-D03	1000 A	ENGINE & GASKET SETS (TURBO)	1-D09	1600 A	CLUTCH DISC & COVER (MANUAL) (TURBO)			
1-E03	1030	ROTOR HOUSINGS (W/O TURBO)	1-F09	1700	TRANSMISSION CASE (MANUAL) (W/O TURBO)			
1-G03	1030 A	ROTOR HOUSINGS (TURBO)	1-H09	1700 A	TRANSMISSION CASE (MANUAL) (TURBO)			
1-I03	1040	OIL PAN,FRONT & REAR HOUSING (W/O TURBO)	1-K09	1710	TRANSMISSION GEARS(MANUAL) (W/O TURBO)			
1-L03	1040 A	OIL PAN,FRONT & REAR HOUSING (TURBO)	1-E10	1710 A	TRANSMISSION GEARS(MANUAL) (TURBO)			
1-C04	1100	ECCENTRIC SHAFT & FLYWHEEL	1-K10	1720	CHANGE CONTROL SYSTEM (MANUAL) (W/O TURBO)			
1-F04	1110	ROTORS & RELATED PARTS	1-N10	1720 A	CHANGE CONTROL SYSTEM (MANUAL) (TURBO)			
1-H04	1300	INLET MANIFOLD (W/O TURBO)	1-E11	1800	ENGINE ELECTRICAL SYSTEM			
1-J04	1300 A	INLET MANIFOLD (TURBO)	1-I11	1830	ALTERNATOR			
1-K04	1310	EXHAUST MANIFOLD	1-K11	1840	STARTER			
1-L04	1311	INTER COOLER (TURBO)	1-N11	1850	BATTERY			
1-M04	1312	TURBO CHARGER	1-C12	1910	TORQUE CONVERTER,OIL PUMP & PIPINGS (AUTOMATIC)			
1-C05	1320	FUEL SYSTEM	1-F12	1920	TRANSMISSION CASE & MAIN CONTROL SYSTEM (AUTOMATIC)			
1-E05	1325	FUEL DISTRIBUTOR	1-M12	1925	CONTROL VALVE (AUTOMATIC)			
1-F05	1330	AIR CLEANER (W/O TURBO)	1-H13	1930	CLUTCHES & PLANETARY GEARS (AUTOMATIC)			
1-H05	1330 A	AIR CLEANER (TURBO)	1-D14	1940	GOVERNOR, LOW & REVERSE PISTON (AUTOMATIC)			
1-J05	1364	THROTTLE BODY (W/O TURBO)	1-G14	1950	MANUAL LINKAGE SYSTEM (AUTOMATIC)			
1-M05	1364 A	THROTTLE BODY (TURBO)	1-I14	1960	GASKET & SEAL KIT (AUTOMATIC)			
1-C06	1371	AIR PUMP & AIR CONTROL VALVE						
1-F06	1380	EMISSION CONTROL SYSTEM (W/O TURBO)						
1-J06	1380 A	EMISSION CONTROL SYSTEM (TURBO)						
1-C07	1400	OIL PUMP & FILTER (W/O TURBO)						
1-F07	1400 A	OIL PUMP & FILTER (TURBO)						
1-J07	1500	COOLING SYSTEM						
1-C08	1580	BRACKET,PULLEY & BELT						

CATLOG-NO= AUFA03-07

DATE. 1993-12

PAGE. 1

SECTION NAME INDEX (CHASSIS)

LO.NO	SEC.NO	SECTION NAME	LO.NO	SEC.NO	SECTION NAME	LO.NO	SEC.NO	SECTION NAME
2-C03	2505	REAR PROPELLER SHAFT	2-C08	4160	ACCELERATOR CONTROL SYSTEM			
2-D03	2550	REAR DRIVE SHAFT	2-D08	4200	FUEL TANK			
2-E03	2600	REAR AXLE	2-G08	4210	FUEL LID OPENER			
2-G03	2610	REAR BRAKE MECHANISMS	2-H08	4300	CLUTCH & BRAKE PEDALS (MANUAL TRANSMISSION)			
2-J03	2710	REAR DIFFERENTIALS (NORMAL DIFF.)	2-K08	4300A	BRAKE PEDALS (AUTOMATIC TRANSMISSION)			
2-N03	2710 A	REAR DIFFERENTIALS (LIMITED SLIP DIFF.)	2-M08	4340	BRAKE MASTER CYLINDER & POWER BRAKE (W/O TURBO)			
2-F04	2800	REAR SUSPENSION MECHANISMS	2-C09	4340 A	BRAKE MASTER CYLINDER & POWER BRAKE (TURBO)			
2-G04	2801	REAR SPRING & DAMPER	2-E09	4360	BRAKE PIPINGS (W/O TURBO)			
2-H04	2810	REAR STABILIZER	2-G09	4360 A	BRAKE PIPINGS (TURBO)			
2-I04	2830	REAR LOWER ARMS & SUB FRAME	2-I09	4370	ANTILOCK BRAKE SYSTEM			
2-K04	3200	STEERING WHEEL (W/O AIR BAG)	2-M09	4400	PARKING BRAKE SYSTEM			
2-M04	3200 A	STEERING WHEEL (W/ AIR BAG)	2-C10	4500	FUEL PIPINGS			
2-N04	3210	STEERING COLUMN & SHAFTS	2-G10	4600	CHANGE CONTROL SYSTEM (AT)			
2-D05	3220	STEERING GEAR (W/ POWER STEERING:ENGINE REVOLUTION PER MINUTE SENSOR)						
2-G05	3220 A	STEERING GEAR (W/ POWER STEERING:VELOCITY SENSOR)						
2-J05	3240	POWER STEERING SYSTEM						
2-M05	3300	FRONT AXLE						
2-C06	3310	FRONT BRAKE MECHANISMS						
2-G06	3400	FRONT SUSPENSION MECHANISMS						
2-I06	3401	FRONT SPRING & DAMPER						
2-J06	3410	CROSSMEMBER & STABILIZER						
2-K06	3700	TIRES & JACK						
2-C07	3900	ENGINE & T/MISSION MOUNTINGS (MT)						
2-D07	3900A	ENGINE & T/MISSION MOUNTINGS (AT)						
2-E07	4000	EXHAUST SYSTEM (W/O TURBO)						
2-I07	4000 A	EXHAUST SYSTEM (TURBO)						
2-L07	4140	CLUTCH RELEASE & MASTER CYLINDERS (MANUAL TRANSMISSION)						
2-N07	4145	CLUTCH PIPINGS (MANUAL TRANSMISSION)						

CATLOG-ND= AUFA03-07

DATE. 1993-12

PAGE. 2

SECTION NAME INDEX (BODY) 1/2

LO.NO	SEC.NO	SECTION NAME	LO.NO	SEC.NO	SECTION NAME	LO.NO	SEC.NO	SECTION NAME
3-C03	0900	KEY SETS	3-E09	5390	FLOOR ATTACHMENTS			
3-F03	5000	FRONT BUMPER	3-C10	5500	DASHBOARD EQUIPMENTS			
3-H03	5010	REAR BUMPER	3-F10	5520	METER HOOD			
3-J03	5020	HEAD LAMP CLEANER	3-G10	5530	SPEEDOMETER CABLE			
3-L03	5030	WINDOW MOULDINGS	3-H10	5540	METER COMPONENTS			
3-M03	5040	BODY MOULDINGS (COUPE)	3-J10	5560	DASHBOARD & RELATED PARTS			
3-D04	5060	SIDE PROTECTORS	3-D11	5570	CONSOLE			
3-G04	5100	HEAD LAMPS	3-G11	5580	VENTILATOR			
3-H04	5103	HEAD LAMP RETRACTORS	3-H11	5700	FRONT SEATS (COUPE)			
3-K04	5105	FRONT COMBINATION LAMPS	3-J12	5700A	FRONT SEATS (CONVERTIBLE)			
3-D05	5110	REAR COMBINATION LAMPS	3-D13	5790	SEAT BELTS (COUPE)			
3-H05	5120	LICENSE LAMPS	3-F13	5790A	SEAT BELTS (CONVERTIBLE)			
3-J05	5125	INTERIOR LAMPS	3-G13	5795	AIR BAG			
3-K05	5130	OVERHEAD CONSOLE	3-H13	5800	FRONT DOORS (COUPE)			
3-L05	5170	ORNAMENTS	3-K13	5800A	FRONT DOORS (CONVERTIBLE)			
3-M05	5180	COWL & EXTRACTOR GRILLES	3-C14	5830	FRONT DOOR MECHANISMS (COUPE)			
3-D06	5230	BONNET	3-I14	5830A	FRONT DOOR MECHANISMS (CONVERTIBLE)			
3-G06	5260	TRUNK LID (CONVERTIBLE)	3-M14	5840	FRONT DOOR TRIMS & RELATED PARTS (COUPE)			
3-H06	5310	FRONT PANELS (COUPE)	3-H15	5840A	FRONT DOOR TRIMS & RELATED PARTS (CONVERTIBLE)			
3-J06	5310 A	FRONT PANELS (CONVERTIBLE)	3-C16	6100	HEATER			
3-M06	5320	FENDER & WHEEL APRON PANELS (COUPE)	3-E16	6110	HEATER UNIT COMPONENTS			
3-D07	5320 A	FENDER & WHEEL APRON PANELS (CONVERTIBLE)	3-F16	6115	HEATER CONTROLS COMPONENTS			
3-G07	5330	DASH & COWL PANELS	3-G16	6120	HEATER BLOWER COMPONENTS			
3-H07	5340	SIDE PANELS (COUPE)	3-I16	6130	AIR CONDITIONER (JAPAN MAKE)			
3-M07	5340A	SIDE PANELS (CONVERTIBLE)	3-L16	6130A	AIR CONDITIONER (OPTIONAL PARTS)			
3-G08	5360	ROOF PANELS (COUPE)						
3-H08	5370	FLOOR PANELS (COUPE)						
3-K08	5370 A	FLOOR PANELS (CONVERTIBLE)						
3-C09	5380	FLOOR ATTACHMENTS (HOLE COVERS)						

SECTION NAME INDEX (BODY) 2/2

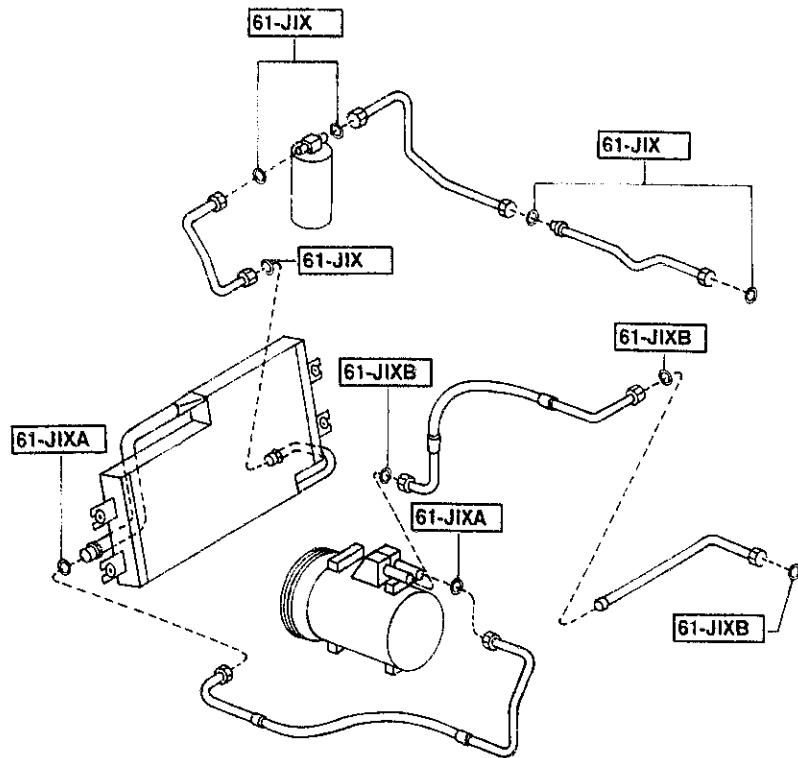
LO.NO	SEC.NO	SECTION NAME	LO.NO	SEC.NO	SECTION NAME	LO.NO	SEC.NO	SECTION NAME
4-C03	6135	O RING SET,PIPING	4-J07	6701 A	WIRING HARNESSSES(ENGINE & T/MI SSION) (CONVERTIBLE)			
4-D03	6140	COMPRESSOR COMPONENTS (AIR CON DITIONER) (JAPAN MAKE)	4-K07	6702	WIRING HARNESSSES(DASHBOARD)			
4-G03	6140A	COMPRESSOR COMPONENTS (AIR CON DITIONER) (OPTIONAL PARTS)	4-L07	6703	WIRING HARNESSSES(DOOR,FLOOR/CE ILING)			
4-I03	6150	COOLING UNIT (AIR CONDITIONER) (JAPAN MAKE)	4-M07	6704	WIRING HARNESS CLAMPS			
4-J03	6150A	COOLING UNIT (AIR CONDITIONER) (OPTIONAL PARTS)	4-D08	6720	WINDSHIELD WASHER			
4-K03	6230	LIFT GATE MECHANISMS (COUPE)	4-F08	6730	WINDSHIELD WIPERS			
4-N03	6300	WINDOW GLASSES (COUPE)	4-G08	6740	WIPER MOTOR COMPONENTS(FRONT)			
4-C04	6300A	WINDOW GLASSES (CONVERTIBLE)	4-H08	6750	WINDOW WIPER & WASHER (REAR)			
4-D04	6330	SUNROOF (COUPE)	4-K08	6760	WINDOW WIPER MOTOR COMPONENTS (REAR)			
4-H04	6330A	SUNROOF (CONVERTIBLE)	4-L08	6800	CEILING TRIMS (COUPE)			
4-M04	6600	SWITCHES & RELAYS (ENGINE)	4-N08	6800A	CEILING TRIMS (CONVERTIBLE)			
4-G05	6610	DASHBOARD SWITCHES	4-C09	6810	ROLLEBAR (CONVERTIBLE)			
4-H05	6611	COMBINATION SWITCH	4-E09	6820	PILLAR TRIMS (COUPE)			
4-I05	6612	CLUSTER SWITCH	4-G09	6820A	PILLAR TRIMS (CONVERTIBLE)			
4-L05	6615	POWER WINDOW SWITCHES	4-H09	6840	TRIMS & SCUFF PLATES (COUPE)			
4-M05	6630	RELAYS & UNIT (BODY)	4-L09	6840A	TRIMS & SCUFF PLATES (CONVERTIBLE)			
4-C06	6635	DOOR SWITCH & HORNS	4-N09	6845	STRAGE BOX			
4-D06	6640	AUTO CRUISE CONTROL SYSTEM	4-D10	6860	FLOOR MATS & PADS (COUPE)			
4-E06	6680	AUDIO SYSTEMS (RADIO & TAPE DE CK)	4-I10	6860A	FLOOR MATS & PADS (CONVERTIBLE)			
4-J06	6682	AUDIO SYSTEMS (ANTENNA & SPEAK ER)	4-M10	6870	SERVICE TOOLS			
4-C07	6684	AUDIO SYSTEMS(NOISE SUPPRESSOR & EARTH CORD)	4-N10	6900	VISORS,ASSIST HANDLES & MIRROR S (COUPE)			
4-D07	6700	WIRING HARNESSSES(FRONT & REAR) (COUPE)	4-E11	6900A	VISORS,ASSIST HANDLES & MIRROR S (CONVERTIBLE)			
4-F07	6700 A	WIRING HARNESSSES(FRONT & REAR) (CONVERTIBLE)	4-G11	6930	CAUTION PLATES & LABELS			
4-H07	6701	WIRING HARNESSSES(ENGINE & T/MI SSION) (COUPE)	4-I11	7250	QUARTER WINDOW & TRIMS			
			4-K11	7800	SPOILERS & RELATED PARTS			

CATLOG-NO= AUFA03-07

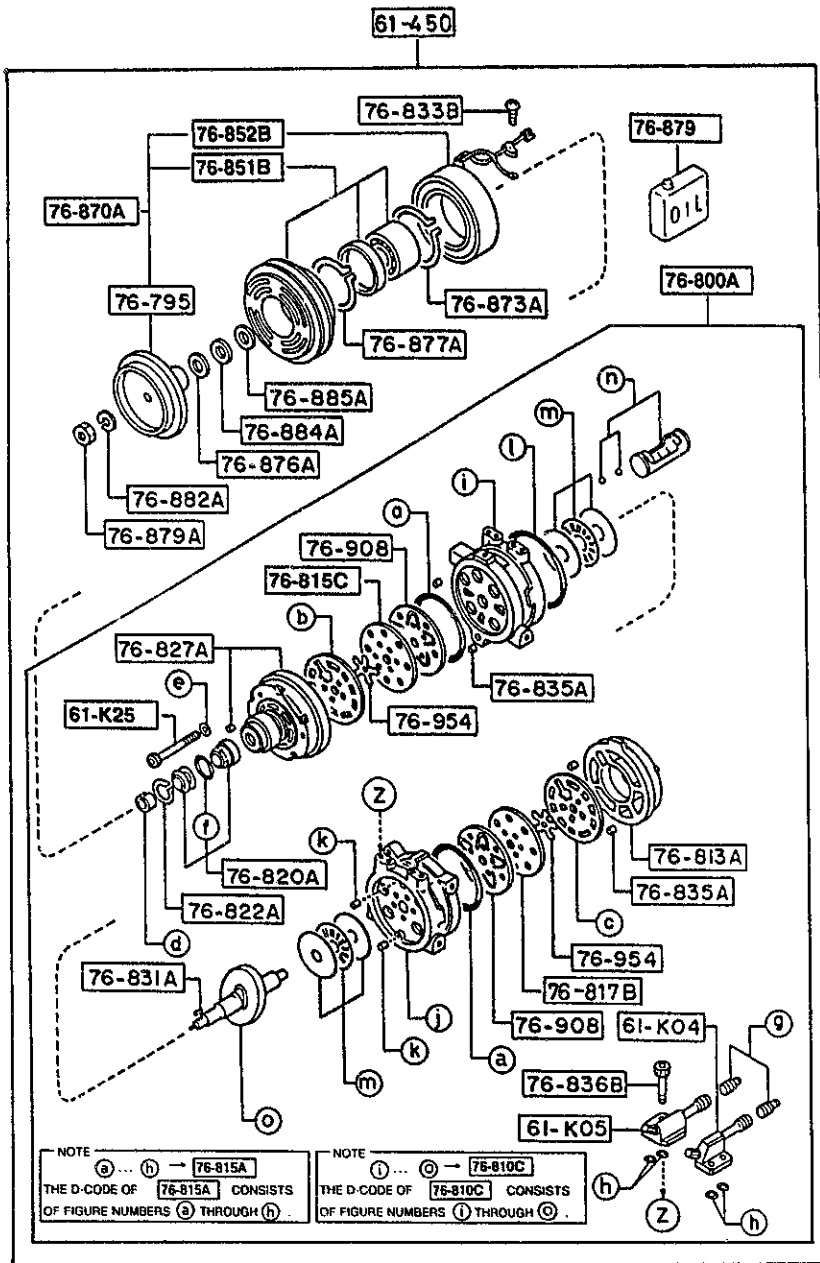
DATE. 1993-12

PAGE. 4

4-E 2



PART NO.	QTY	MODEL/RESTRICTION	MODEL/RESTRICTION	MODEL/RESTRICTION	FROM-TO
61-JIX FCY0-61-J17	3	RING, 'O'-NO.1			
61-JIXA FCY6-61-J17	2	RING, 'O'-NO.2			
61-JIXB FCY1-61-J17	3	RING, 'O'-NO.3			



AUFA03

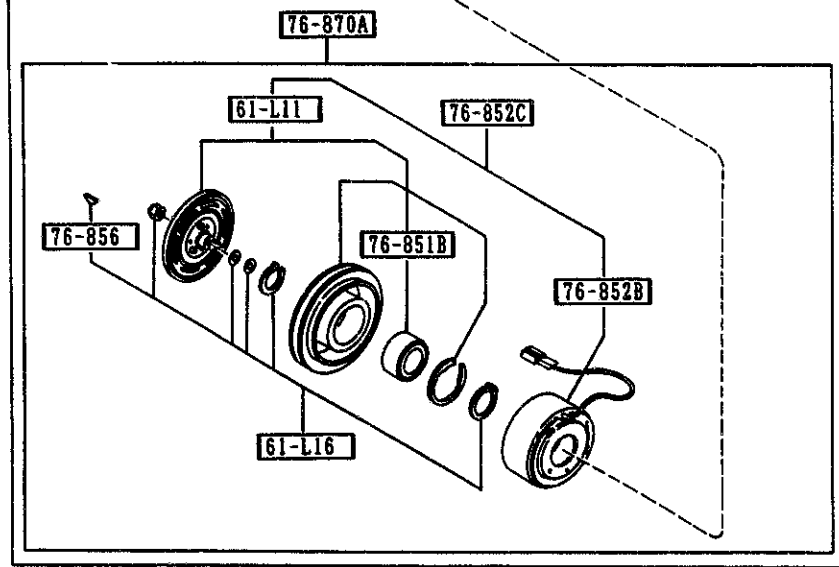
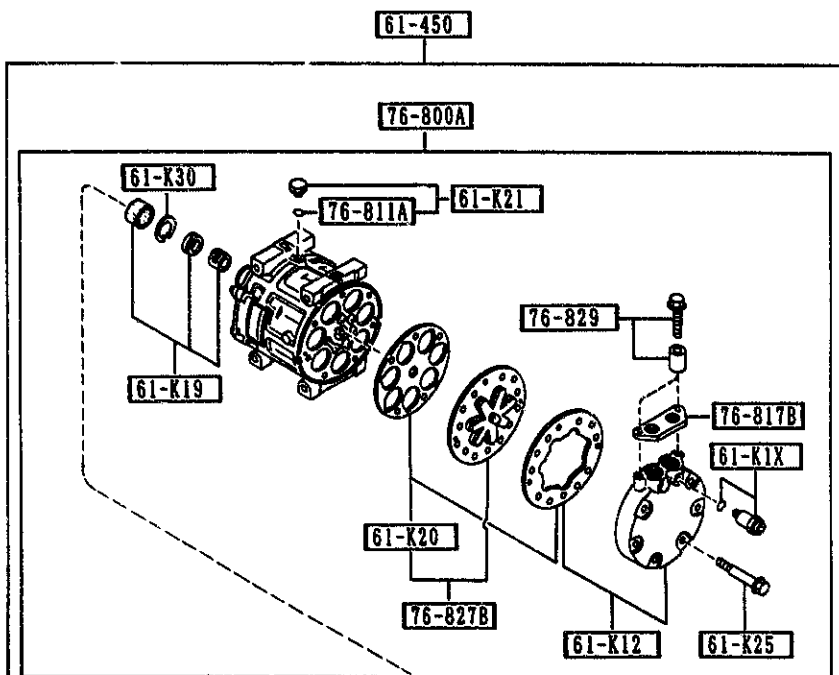
PART NO.	QTY	MODEL/RESTRICTION	MODEL/RESTRICTION	MODEL/RESTRICTION	FROM-TO
61-K04		CONNECTOR, SUCTION VALVE			
F044-61-K04	1				
61-K05		CONNECTOR, DISCHARGE VALVE			
FB02-61-K05	1				
61-K25		BOLT, COMPRESSOR-AIR CON.			
FB01-61-K25	5				
61-450		COMPRESSOR			
FB02-61-450A	1				
76-795		ARMATURE			
FB01-61-L11	1				
76-800A		COMPRESSOR, AIR CON.			
FB02-61-K00A	1				
76-810C		SHAFT, CYLINDER			
F044-61-K10A	1				
76-813A		HEAD, CYL.-COMPRESSOR			
FA54-76-902	1				
76-815A		GASKET			
FA54-76-909	1				
76-815C		PLATE, VALVE			
FA54-76-898	1				
76-817B		PLATE, VALVE			
FA54-76-899	1				
76-820A		SEAL			
D001-61-K19A	1				
76-822A		RING, SNAP			
FA54-76-904	1				
76-827A		HEAD, CYL.-COMPRESSOR			
FA54-76-893A	1				

CAT. AUFA03-07

1993-12

6140A COMPRESSOR COMPONENTS (AIR CONDITIONER)
(OPTIONAL PARTS)

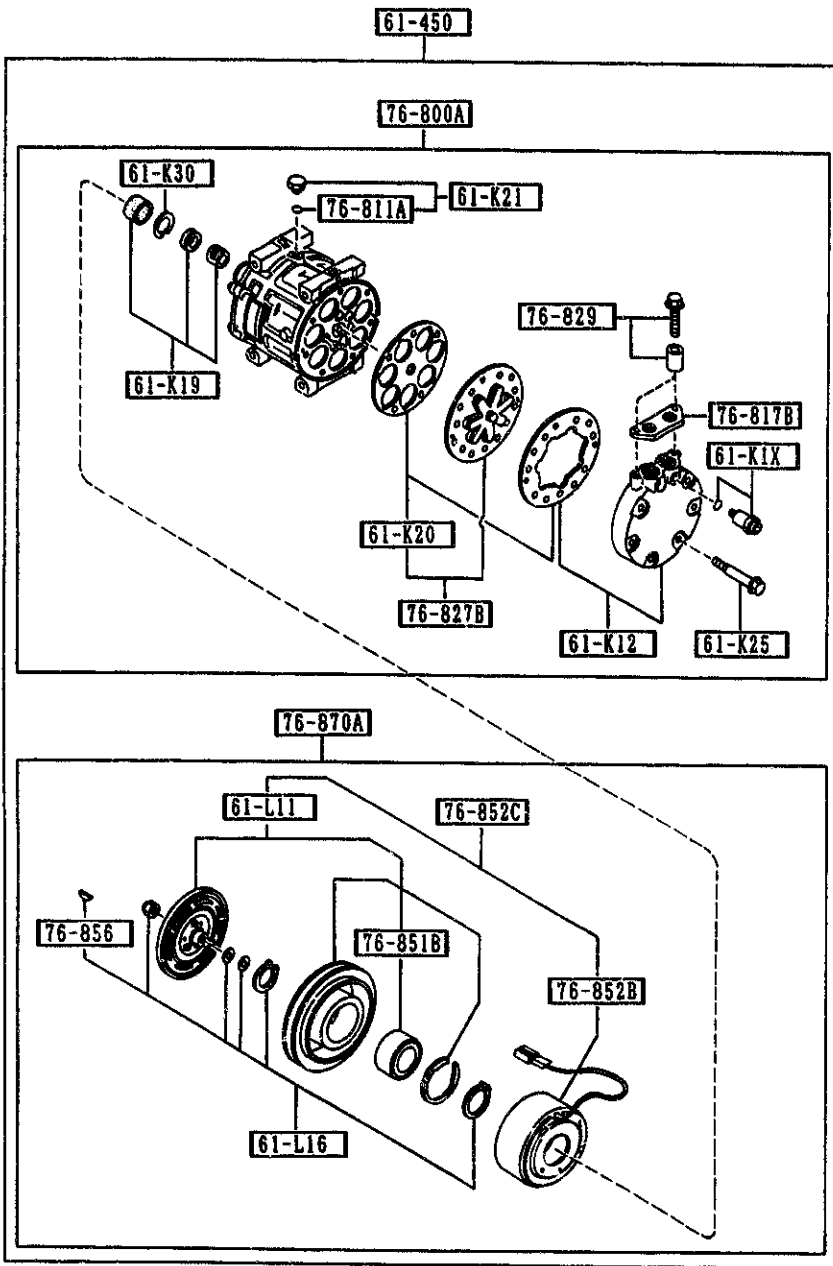
6140A -1 COMPRESSOR COMPONENTS (AIR CONDITIONER)
(OPTIONAL PARTS)



PART NO.	QTY	MODEL/RESTRICTION	MODEL/RESTRICTION	MODEL/RESTRICTION	FROM-TO
61-K1X		VALVE, RELIEF			
FC20-61-K1X	1	(A)			
61-K12		HEAD, CYL.-COMPRESSOR			
FC20-61-K12	1	(A)			
61-K19		SEAL, SHAFT-COMPR.			
FC20-61-K19	1	(A)			
61-K20		GASKET KIT, COMPRESSOR			
FC20-61-K20	1	(A)			
61-K21		PLUG, COMPRESSOR			
FC20-61-K21	1	(A)			
61-K25		BOLT, COMPRESSOR-AIR CON.			
FC20-61-K25	1	(A)			
61-K30		PIN, COMPRESSOR			
FC20-61-K30	1	(A)			
61-L11		ARMATURE, MAGNETIC CLUTCH			
FC20-61-L11	1	(A)			
61-L16		RING, SNAP-MAGNET CLUTCH			
FC20-61-L16	1	(A)			
61-450		COMPRESSOR			
FC20-61-450	1	(A)			
76-800A		COMPRESSOR, AIR CON.			
FC20-61-K00	1	(A)			
76-811A		RING, 'O'			

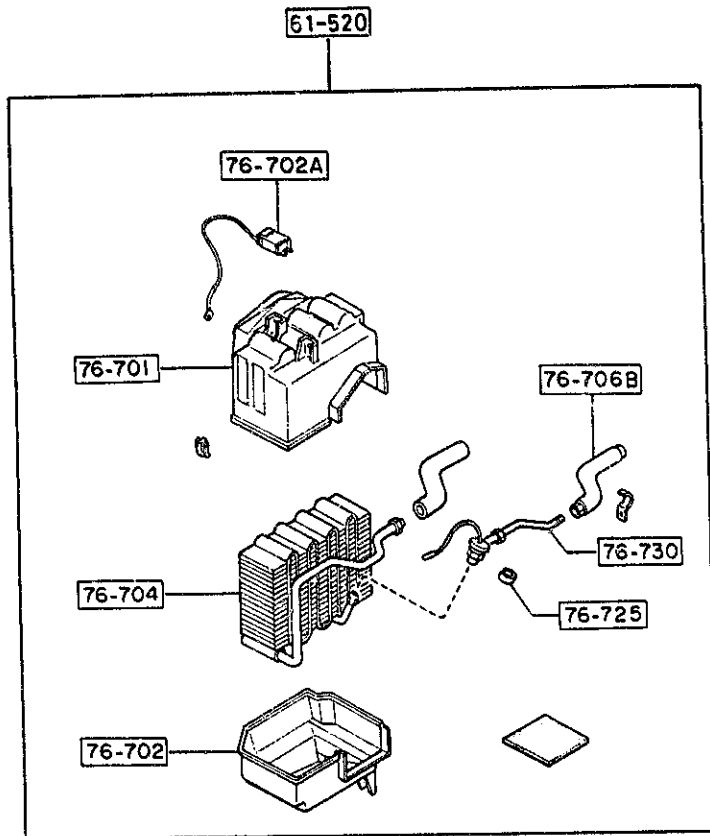
6140A COMPRESSOR COMPONENTS (AIR CONDITIONER)
(OPTIONAL PARTS)

6140A -2 * COMPRESSOR COMPONENTS (AIR CONDITIONER)
(OPTIONAL PARTS)



PART NO.	QTY	MODEL/RESTRICTION	MODEL/RESTRICTION	MODEL/RESTRICTION	FROM-TO
CONT'D FC20-61-K13		(A)			
	1				
		76-817B	PLATE, VALVE		
FC20-61-K17		(A)			
	1				
		76-827B	PLATE		
FC20-61-K27		(A)			
	1				
		76-829	BOLT		
FC20-61-K29		(A)			
	1				
		76-851B	PULLEY		
FC20-61-L12		(A)			
	1				
		76-852B	COIL, FIELD		
FC20-61-L13		(A)			
	1				
		76-852C	MAGNET		
FC20-61-L30		(A)			
	1				
		76-85f	COVER		
FC20-61-L17		(A)			
	1				
		76-870A	CLUTCH, MAGNET		
FC20-61-L10		(A)			
	1				

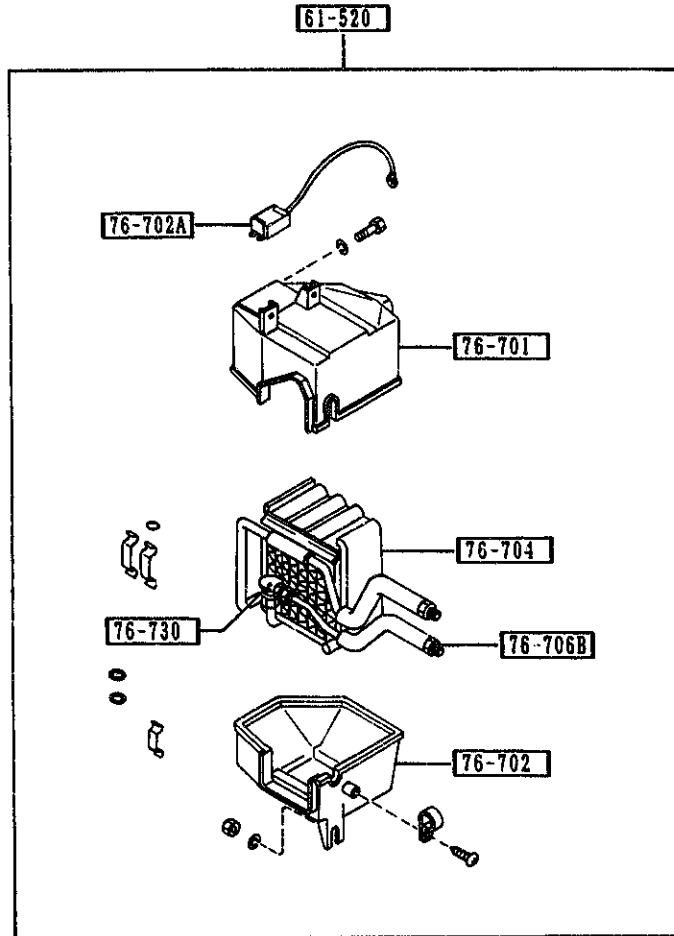
6150

COOLING UNIT (AIR CONDITIONER)
(JAPAN MAKE)6150 -1 * COOLING UNIT (AIR CONDITIONER)
(JAPAN MAKE)

PART NO.	QTY	MODEL/RESTRICTION	MODEL/RESTRICTION	MODEL/RESTRICTION	FROM TO
61-520		UNIT, COOLING			
FB01-61-520A	1				
76-701		CASE, COOLING UNIT			
FB01-61-J01	1				
76-702		CASE, COOLING UNIT			
FB01-61-J02	1				
76-702A		THERMOSTAT			
FB01-61-J20	1				
76-704		EVAPORATOR			
FB01-61-J10	1				
76-706B		PIPE			
FB01-61-J15	1				
76-725		HOLDER, VALVE			
1273-76-704	1				
76-730		VALVE, EXPANSION			
B111-61-J14	1				

6150A COOLING UNIT (AIR CONDITIONER)
(OPTIONAL PARTS)

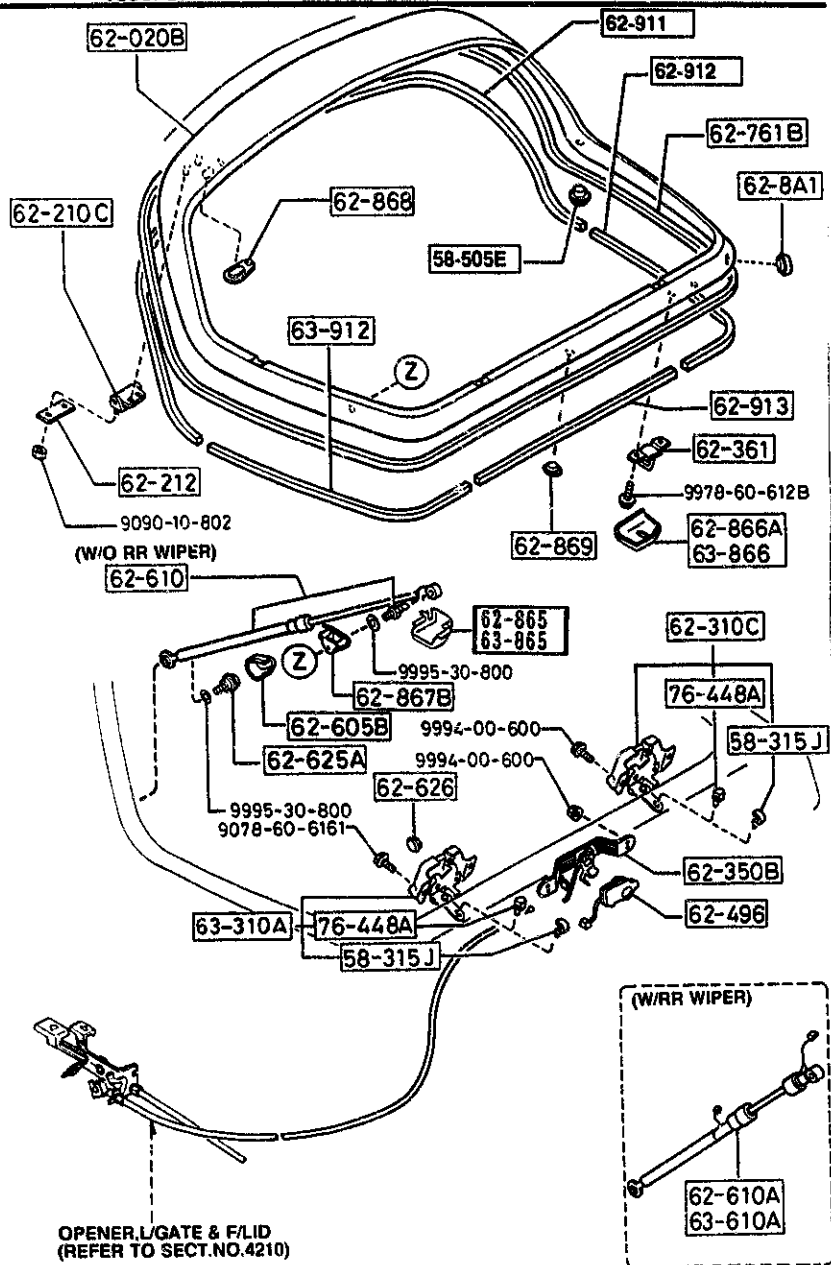
6150A -1 * COOLING UNIT (AIR CONDITIONER)
(OPTIONAL PARTS)



PART NO.	QTY	MODEL/RESTRICTION	MODEL/RESTRICTION	MODEL/RESTRICTION	FROM-TO
61-520 FB04-61-520A	1	UNIT, COOLING (A)			
76-701 FB04-61-J01	1	CASE, COOLING UNIT (A)			
76-702 FB04-61-J02	1	CASE, COOLING UNIT (A)			
76-702A FB04-61-J20	1	THERMOSTAT (A)			
76-704 FB04-61-J10	1	EVAPORATOR (A)			
76-706B FB04-61-J15	1	PIPE (A)			
76-730 FB04-61-J14	1	VALVE, EXPANSION (A)			

6230 LIFT GATE MECHANISMS (COUPE)

6230 -1 LIFT GATE MECHANISMS (COUPE)



PART NO.	QTY	MODEL/RESTRICTION	MODEL/RESTRICTION	MODEL/RESTRICTION	FROM-TO
58-315J		CLIP			
H001-58-315	2				
58-505E		CAP			
B092-58-355	2				
62-020B		FRAME, GLASS HATCH			
FC01-62-020	1	W/O WIPER			
FC02-62-020	1	W/WIPER			
62-210C		HINGE, GLASS HATCH			
FC73-62-210	2				
62-212		GASKET, HINGE-LIFT GATE			
FB01-62-212	2				
62-310C		LOCK(R), GLASS HATCH			
FB01-62-310D	1				
62-350B		UNIT, OPENER-GLASS HATCH			
FB01-62-350E	1				
62-361		STRIKER, LOCK			
FB01-62-361B	2				
62-496		SWITCH, LOCK CYLINDER			
FB02-62-496A	1				
62-605B		COVER, DAMPER STAY			
FB01-62-615	2				
62-610		STAY, DAMPER			
8BF1-62-620B	2	(FOR RIGHT & LEFT) (W/O RR WIPER)			
62-610A		STAY(R), DAMPER			
8BF7-62-620	1	(W/RR WIPER)			
62-625A		BOLT, BRACKET-STAY DAMPER			
FB01-62-625	2				

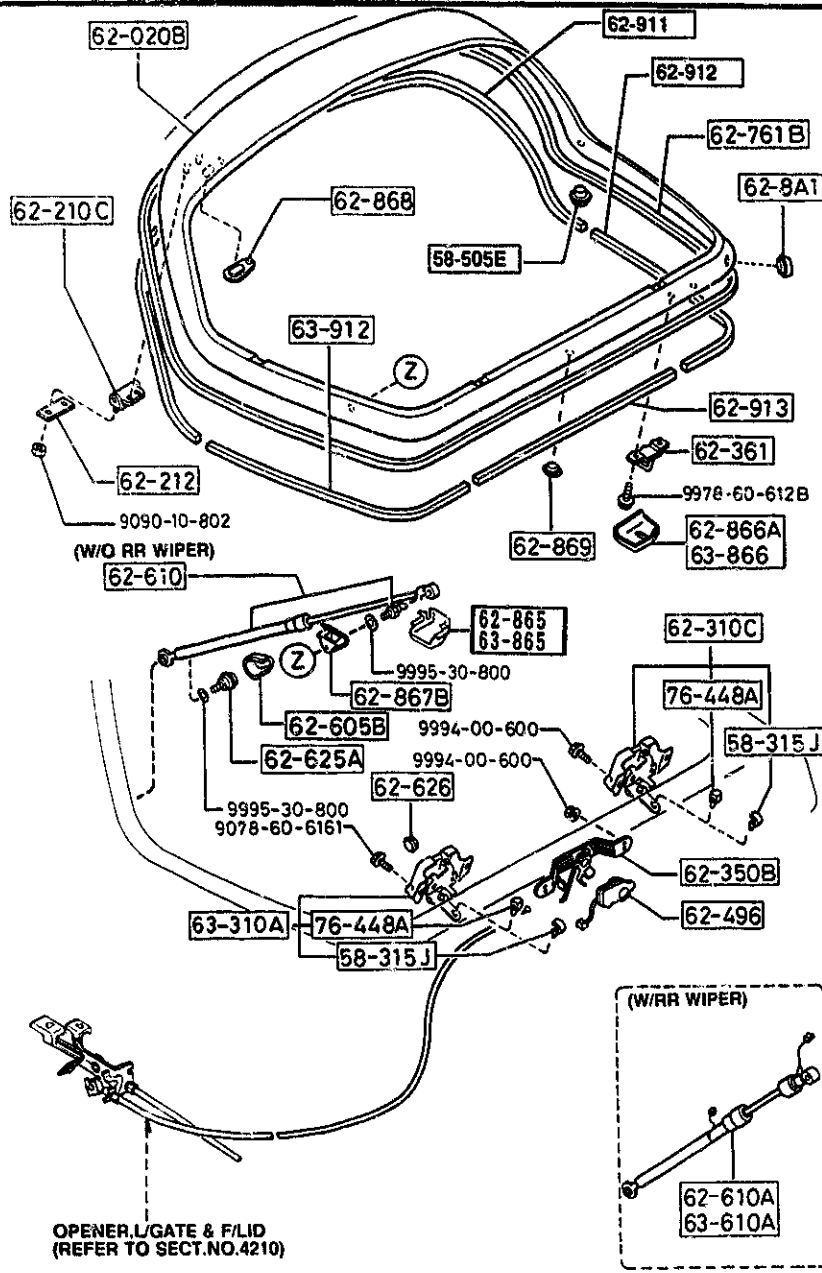
AUFA03

CAT. AUFA03-07

1993-12

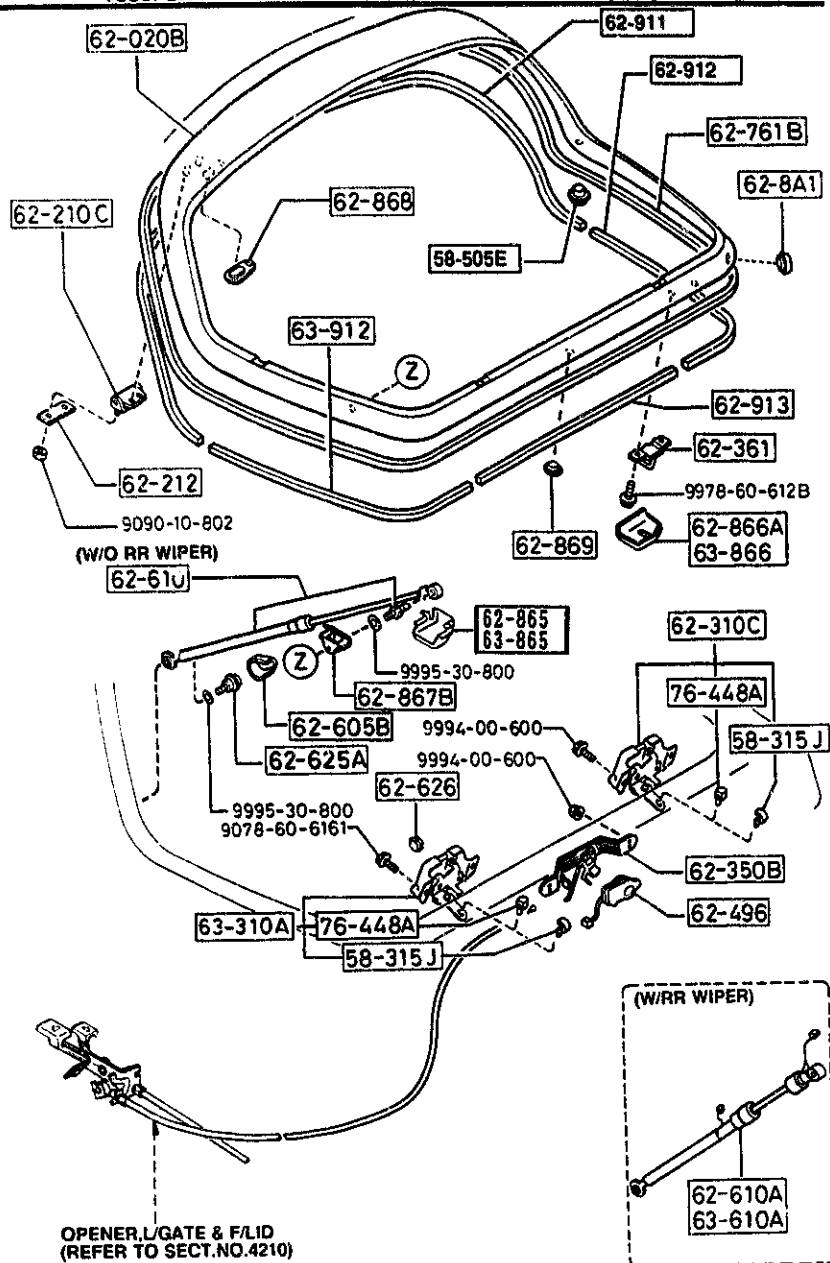
6230 LIFT GATE MECHANISMS
(COUPE)

6230 -2 LIFT GATE MECHANISMS
(COUPE)



PART NO.	QTY	MODEL/RESTRICTION	MODEL/RESTRICTION	MODEL/RESTRICTION	FROM-TO
62-626		PLUG, HOLE-LAMP & WIPER HARN (W/RR WIPER)			
FB01-62-626	1				
62-626		PLUG, HOLE-LAMP & WIPER HARN (W/O RR WIPER)			
FB01-62-626	2				
62-761B		WEATHERSTRIP, GLASS HATCH			
FB01-62-761C	1				
62-8A1		PLUG, HOLE-HATCH FRAME LOW			
FB01-62-8A1A	2				
62-865		COVER 'A' (R), FRAME-G. HATCH			
FB01-62-865A	1				
62-866A		COVER 'B' (R), FRAME-G. HATCH			
FB01-62-866B	1				
62-867B		COVER, BRACKET-DAMPER STAY			
FB01-62-867A	2				
62-868		PLUG, HOLE-HATCH FRAME UP.			
FB01-62-868	2				
62-869		PLUG, HOLE-HATCH FRAME LOW			
FB01-62-869	1				
62-911		WELD, SEAMING-GLS HATCH UP			
FB01-62-911C	1				
62-912		WELD (R), SEAMING-GLS HATCH			
FB01-62-912B	1				
62-913		WELD, SEAMING-GLS HATCH LW NON USA.			
FB01-62-913C	1				
62-913		WELD, SEAMING-GLS HATCH LW			
FB02-62-913B	1				
63-310A		LOCK (L), GLASS HATCH			
FB01-63-310E	1				
63-610A		STAY (L), DAMPER			
8BF3-63-620	1	(W/RR WIPER)			

6230

LIFT GATE MECHANISMS
(COUPE)6230 -3 M LIFT GATE MECHANISMS
(COUPE)

PART NO.	QTY	MODEL/RESTRICTION	MODEL/RESTRICTION	MODEL/RESTRICTION	FROM TO
63-865		COVER 'A' (L), FRAME-G. HATCH			
FB01-63-865A	1				
63-866		COVER 'B' (L), FRAME-G. HATCH			
FB01-63-866B	1				
63-912		WELT (L), SEAMING-GLS HATCH			
FB02-63-912B	1				
76-448A		CLIP			
G030-76-448	2				

AUFA03

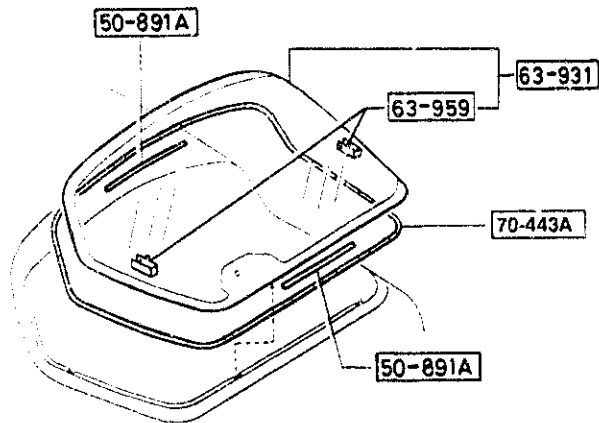
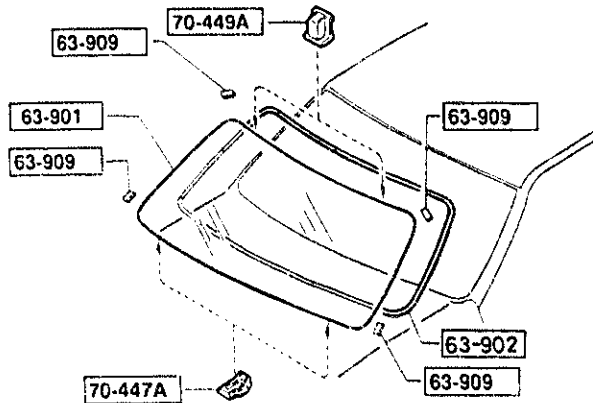
CAT. AUFA03-07

1993-12

4-M 3

6300 WINDOW GLASSES
(COUPE)

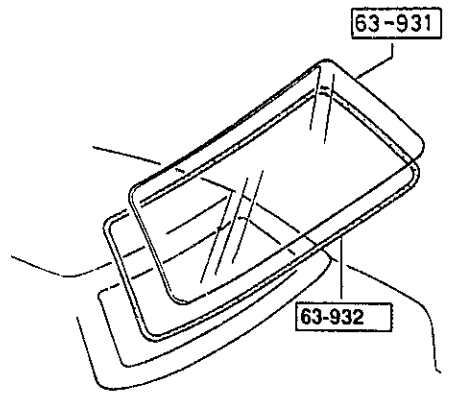
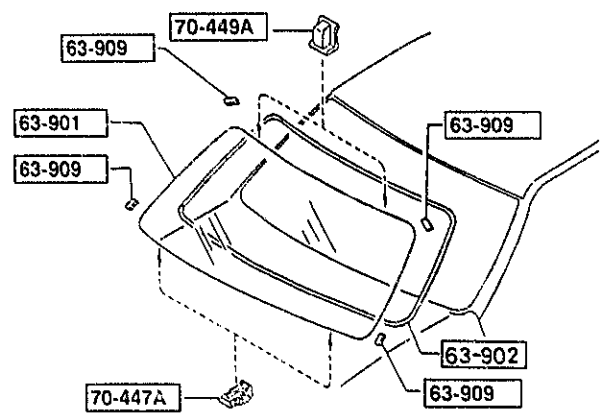
6300 -1 * WINDOW GLASSES
(COUPE)



PART NO.	QTY	MODEL/RESTRICTION	MODEL/RESTRICTION	MODEL/RESTRICTION	FROM TO
50-891A		SPACER, WINDOW			
FB01-50-891	2				
63-901		GLASS, WINDSHIELD			
FC02-63-901	1				
63-902		DAM, FRT. WSHLD GLASS			
FB01-50-895A	1				
63-909		SPACER			
S182-63-903	4				
63-931		GLASS, BACK WINDOW			
FB01-63-930	1	BLUE BASE, (W/O RR WIPER)			
FB02-63-930	1	BASE-OPT, TURBO, (W/RR WIPER)			
63-959		TERMINAL, BACK WIND. GLASS			
FB01-63-959	2				
70-443A		DAM, RR. WINDOW GLASS			
FB01-50-896	1				
70-447A		SPACER 'A'			
FB01-50-893	2				
70-449A		SPACER 'C'			
FB01-50-897	2				

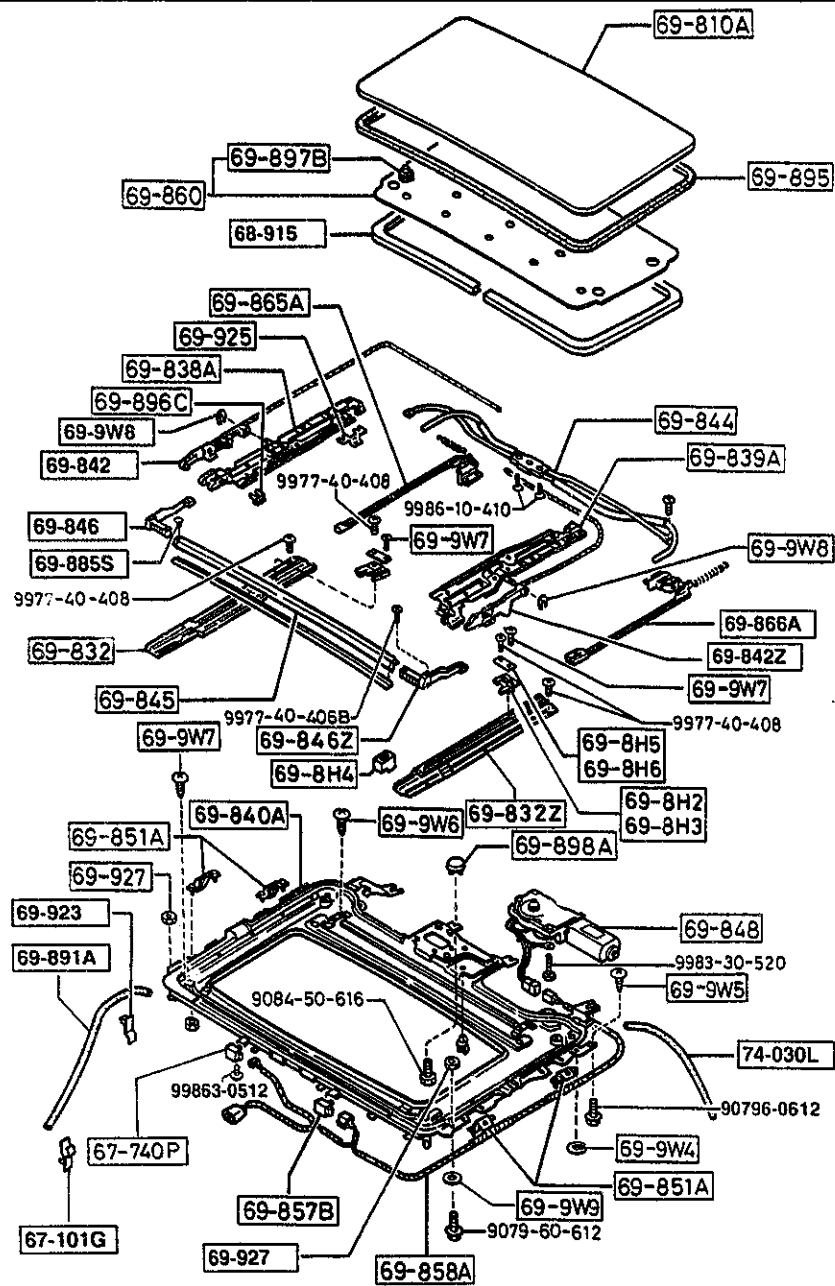
6300A WINDOW GLASSES
(CONVERTIBLE)

6300A -1 * WINDOW GLASSES
(CONVERTIBLE)



PART NO.	QTY	MODEL/RESTRICTION	MODEL/RESTRICTION	MODEL/RESTRICTION	FROM-10
63-901 FB03-63-901E	1	GLASS, WINDSHIELD			
63-902 FB67-50-894	1	DAM, FRT. WSHLD GLASS			
63-909 8182-63-903	4	SPACER			
63-931 FB67-63-931A	1	GLASS, BACK WINDOW BLUE			
63-932 FB67-63-932B	1	WEATHERSTRIP, RR. WIND			
70-447A FB01-50-893	2	SPACER 'A'			
70-449A FB01-50-897	2	SPACER 'C'			

6330

SUNROOF
(COUPE)

AUFA03

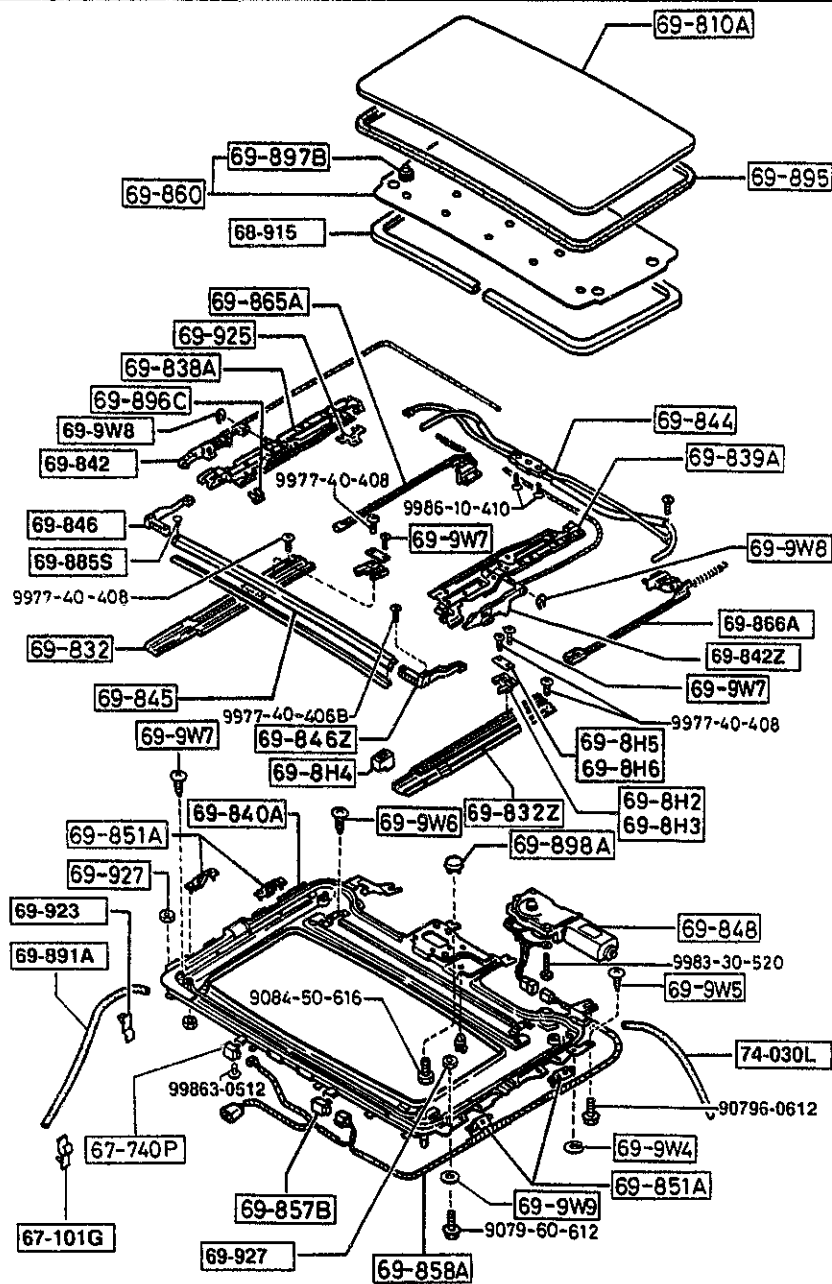
6330 -1 SUNROOF
(COUPE)

PART NO.	QTY	MODEL/RESTRICTION	MODEL/RESTRICTION	MODEL/RESTRICTION	FROM-TO
67-101G		CLIP, DRAIN HOSE-FRONT			
FB03-69-928	4				
67-740P		RELAY, SLIDE ROOF			
FB03-69-873	1				
68-915		WELT, SEAMING			
FB03-69-915A	1				
02	INT-	FD8 BLACK			
48	INT-	FD9 BLUE			
69-8H2		CLIP(R), TUBE-LOWER			
FB03-69-8H2A	1				
69-8H3		CLIP(L), TUBE-LOWER			
FB03-69-8H3A	1				
69-8H4		GASKET, TUBE-CLIP			
FB03-69-8H4	2				
69-8H5		CLIP(R), TUBE-UPPER			
FB03-69-8H5	1				
69-8H6		CLIP(L), TUBE-UPPER			
FB03-69-8H6	1				
69-810A		PANEL, SLIDING ROOF			
FB03-69-810H	1				
69-832		RAIL(R), GUIDE			
FB03-69-832C	1				
69-832Z		RAIL(L), GUIDE			
FB03-69-833C	1				
69-838A		PANEL(R), LOWER-SLIDING ROOF			
FB03-69-838C	1				
69-839A		PANEL(L), LOWER-SLIDING ROOF			
FB03-69-839C	1				

CAT. AUFA03-07

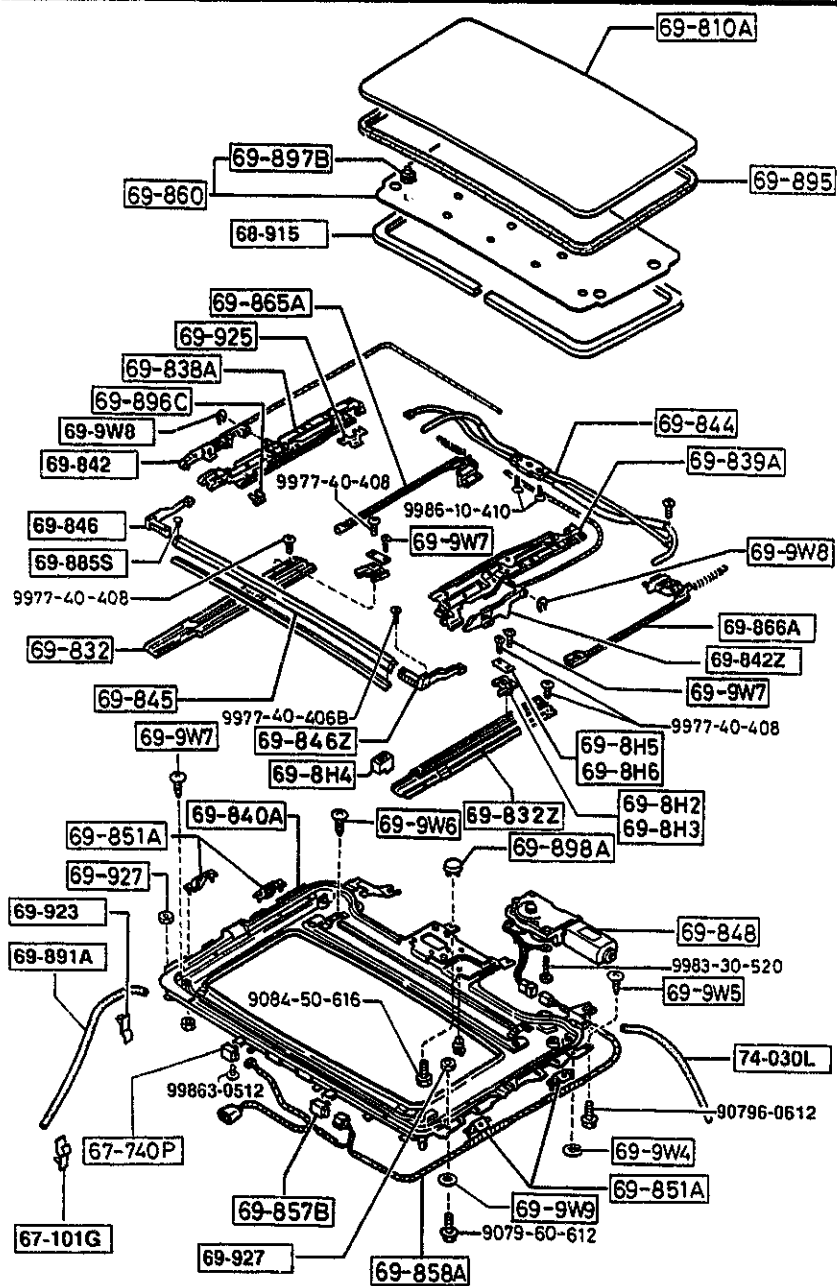
1993-12

4-D 4



PART NO.	QTY	MODEL/RESTRICTION	MODEL/RESTRICTION	MODEL/RESTRICTION	FROM-TO
69-840A		FRAME, SLIDING ROOF			
FB03-69-831J	1				
69-842		GUIDE (R), REAR			
FB03-69-842A	1				
69-842Z		GUIDE (L), REAR			
FB03-69-843A	1				
69-844		UNIT, DRIVE			
FB03-69-844A	1				
69-845		DEFLECTOR			
FB03-69-845	1				
69-846		LINK (R), DEFLECTOR			
FB03-69-846B	1				
69-846Z		LINK (L), DEFLECTOR			
FB03-69-847B	1				
69-848		MOTOR, SLIDING ROOF			
FB03-69-848B	1				
69-851A		BRACKET, SET-S. ROOF FRAME			
FB03-69-849	4				
69-857B		RELAY, SLIDING ROOF			
FB03-69-857A	1				
69-858A		HARNES, SLIDING ROOF			
FB03-69-858	1				
69-860		TRIM, SLIDING ROOF			
FB03-69-860r	1				
02	INT-	FD8 BLACK			
48	INT-	FD9 BLUE			
69-865A		SHUTTING (R), SLIDING ROOF			
FB03-69-865	1				

6330 SUNROOF (COUPE)



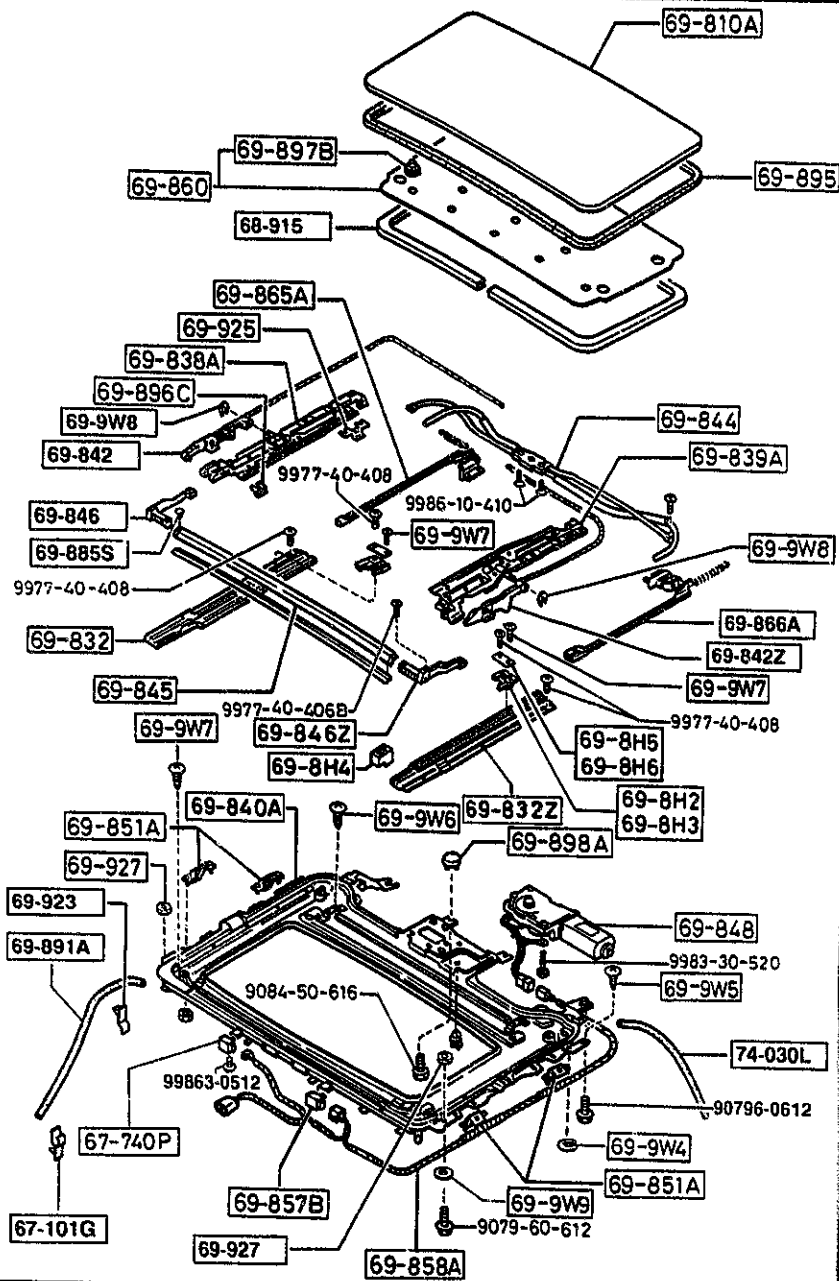
AUFA03

6330 -3 SUNROOF (COUPE)

PART NO.	QTY	MODEL/RESTRICTION	MODEL/RESTRICTION	MODEL/RESTRICTION	FROM-TO
69-866A FB03-69-866	1	SHUTTING(L), SLIDING ROOF			
69-885S FB03-69-885	2	CLIP, DEFLECTOR LINK			
69-891A FB03-69-891A	2	HOSE, DRAIN-SUN ROOF FRONT			
69-895 FB03-69-895B A (FB03-69-895C)	1	WEATHERSTRIP, S/ROOF			-1511
69-895C FB03-69-895C	1				1511-
69-896C FB03-69-896A	6	SHIM, LOWER PANEL FRONT			
69-897B FB03-69-897	6	FASTENER, TRIM-SLIDE ROOF			
69-898A FB03-69-898	1	COVER, MOTOR-SLIDING ROOF			
02	INT-	FD8 BLACK			
48	INT-	FD9 BLUE			
69-9W4 FB03-69-9W4	4	RING 'A', SNAP-LOWER UNIT			
69-9W5 FB03-69-9W5	2	SCREW, TAPPING-LOWER UNIT			
69-9W6 FB03-69-9W6	4	SCREW 'A', LOWER UNIT-S/R			
69-9W7 FB03-69-9W7	4	SCREW 'B', LOWER UNIT-S/R			
69-9W8 FB03-69-9W8	2	RING 'B', SNAP-LOWER UNIT			
1511 FC3MXX-907424					

CAT. AUFA03-07

1993-12



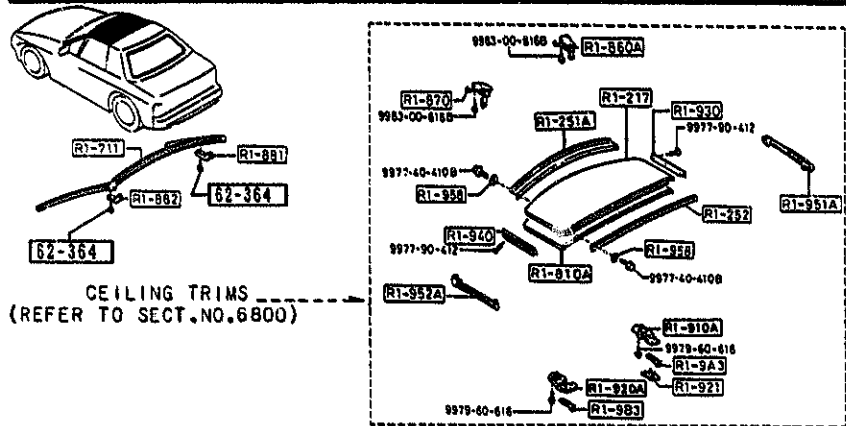
AUFA03

PART NO.	QTY	MODEL/RESTRICTION	MODEL/RESTRICTION	MODEL/RESTRICTION	FROM-TO
69-9W9 FB03-69-9W9	8	WASHER, LOWER UNIT-S/ ROOF			
69-923 FB03-69-923	2	CLIP, DRAIN HOSE-SUN ROOF			
69-925 FB03-69-925A	4	SHIM, LOWER PANEL REA R			
69-927 FB03-69-927	4	NUT, ADJUST-S/ROOF FR AME			
74-030L FB03-69-892A	2	HOSE, DRAIN-REAR			

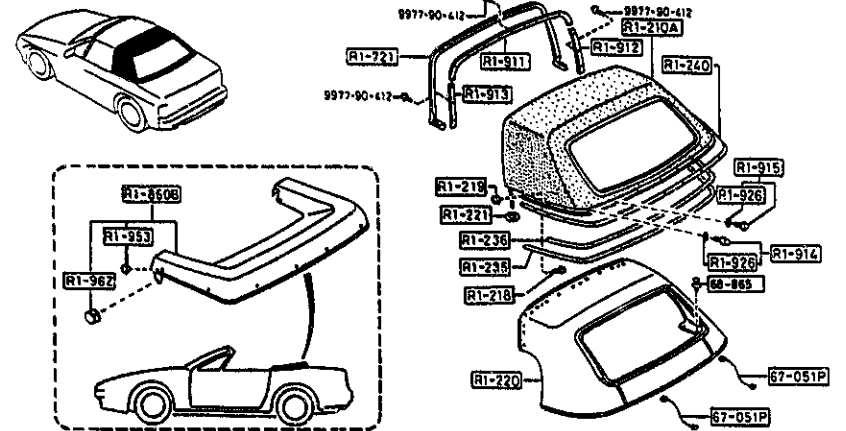
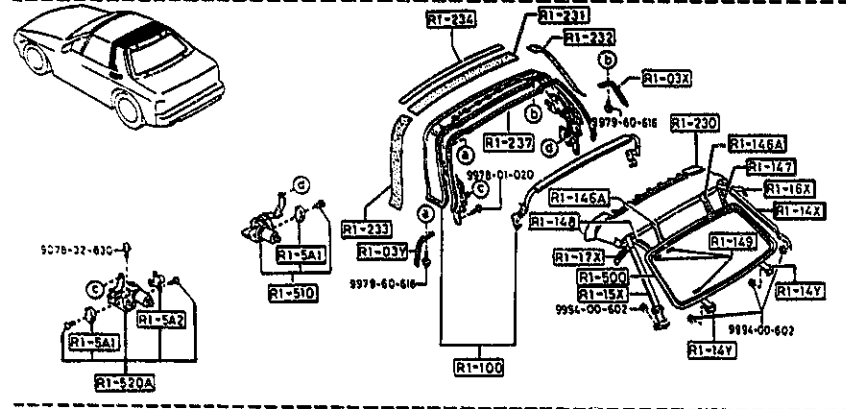
CAT. AUFA03-07

1993-12

6330A SUNROOF
(CONVERTIBLE)



CEILING TRIMS
(REFER TO SECT. NO. 6800)



6330A -2 SUNROOF
(CONVERTIBLE)

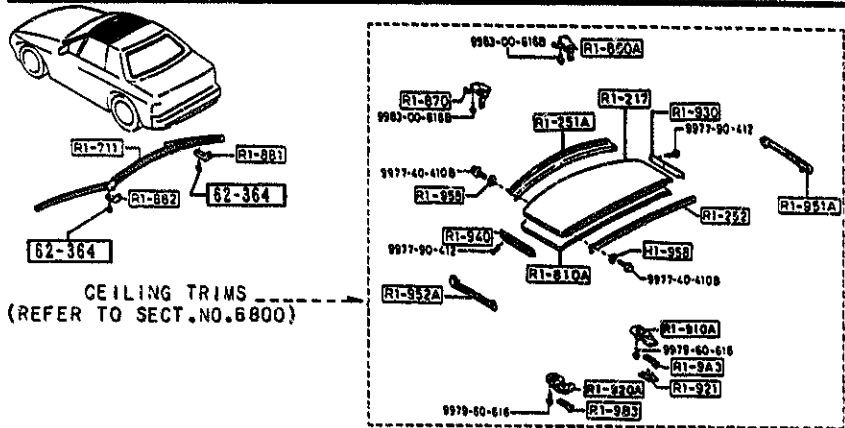
PART NO.	QTY	MODEL/RESTRICTION	MODEL/RESTRICTION	MODEL/RESTRICTION	FROM-TO
R1-218		BOLT, HOOD OUTER			
FB67-R1-218	2				
R1-219		NUT, HOOD OUTER			
FB67-R1-219	2				
R1-220		LINER, HEAD-SOFT TOP			
FB67-R1-212C	1				
02	INT-	FD8 FE1 BLACK			
48	INT-	FD9 BLUE			
R1-221		PLUG, DRAIN HOSE-RR FLOOR			
FB67-R1-221	2				
R1-230		INSULATOR, TOP CEILING			
FB67-R1-213	1				
R1-231		PAD (CTR), SPACER-SOFT TOP			
FB67-R1-231	1				
R1-232		PAD (R), SPACER-SOFT TOP			
FB67-R1-232	1				
R1-233		PAD (L), SPACER-SOFT TOP			
FB67-R1-233	1				
R1-234		PLATE, FRONT-SOFT TOP			
FB67-R1-234	1				
R1-235		TAPE 'A', SEAL-TOP FABRIC			
FB67-R1-235	1				
R1-236		TAPE 'B', SEAL-TOP FABRIC			
FB67-R1-236	1				
R1-237		PROTECTOR, FORMING BAR			
FB67-R1-237A	1				
R1-240		PLATE, SET-HOOD REAR			
FB67-R1-214A	1				

AUFA03

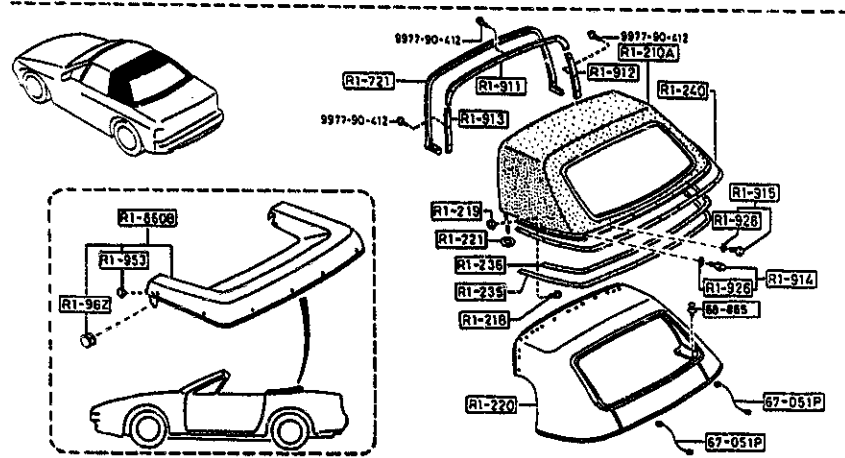
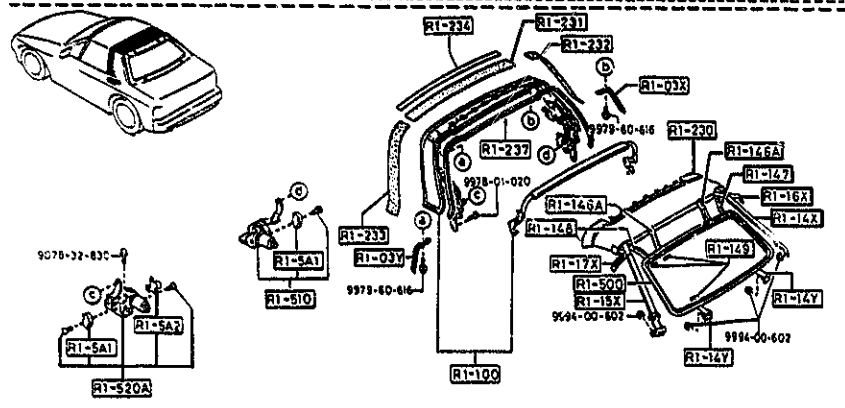
CAT. AUFA03-07

1993-12

6330A SUNROOF
(CONVERTIBLE)



CEILING TRIMS
(REFER TO SECT.NO.6800)



AUFA03

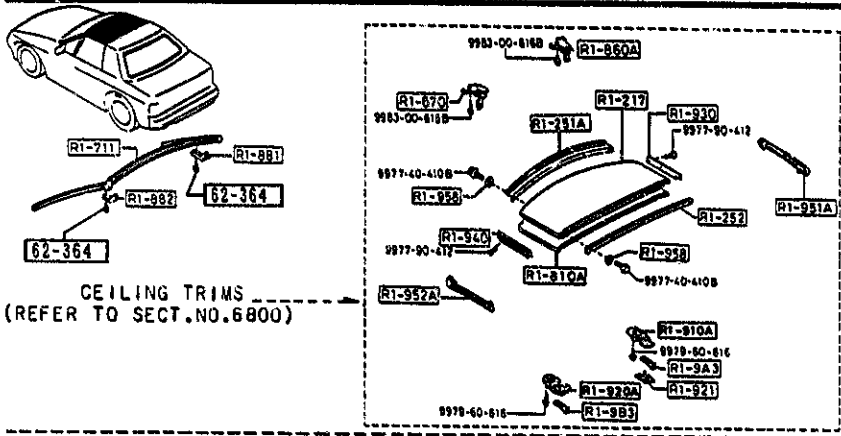
6330A -4 SUNROOF
(CONVERTIBLE)

PART NO.	QTY	MODEL/RESTRICTION	MODEL/RESTRICTION	MODEL/RESTRICTION	FROM-TO
R1-870		LOCK(L), TOP			
FB67-R1-870D	1				
R1-881		STRIKER(R), LOCK-TOP			
FB67-R1-881C	1				
R1-882		STRIKER(L), LOCK-TOP			
FB67-R1-882C	1				
R1-9A3		BRACKET(R), HINGE-ROO F			
FB67-R1-9A3A	1				
R1-9B3		BRACKET(L), HINGE-ROO F			
FB67-R1-9B3A	1				
R1-910A		LOCK(R), HINGE-TOP			
FB67-R1-910H	1				
02	INT-	FD8 FE1 BLACK			
48	INT-	FD9 BLUE			
R1-911		RETAINER(C), FORMING BAR			
FB67-R1-911A	1				
R1-912		RETAINER(R), FORMING BAR			
FB67-R1-912A	1				
R1-913		RETAINER(L), FORMING BAR			
FB67-R1-913A	1				
R1-914		HOOK 'A', HOOD			
FB67-R1-91YC	8				
R1-915		HOOK 'B', HOOD			
FB67-R1-912C	5				
R1-920A		LOCK(L), HINGE-TOP			
FB67-R1-920E	1				
R1-921		COVER, KNOB-HINGE			
FB67-R1-921A	1				

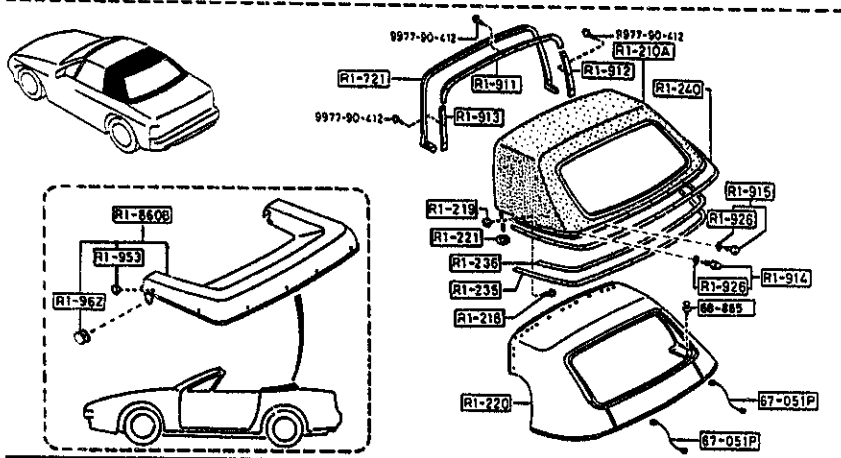
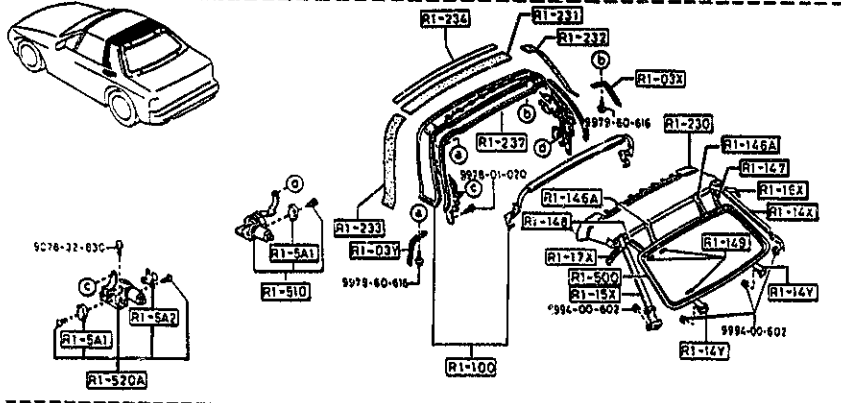
CAT. AUFA03-07

1993-12

6330A SUNROOF (CONVERTIBLE)



CEILING TRIMS (REFER TO SECT.NO.6800)



AUFA03

6330A -5 * SUNROOF (CONVERTIBLE)

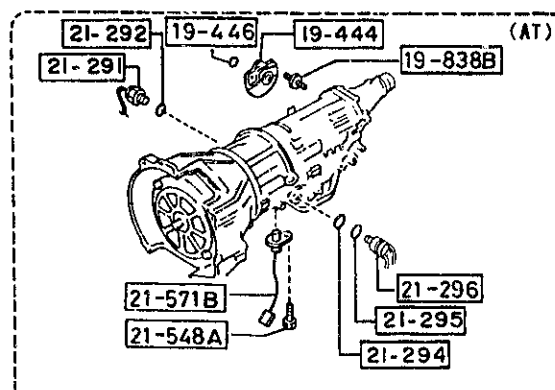
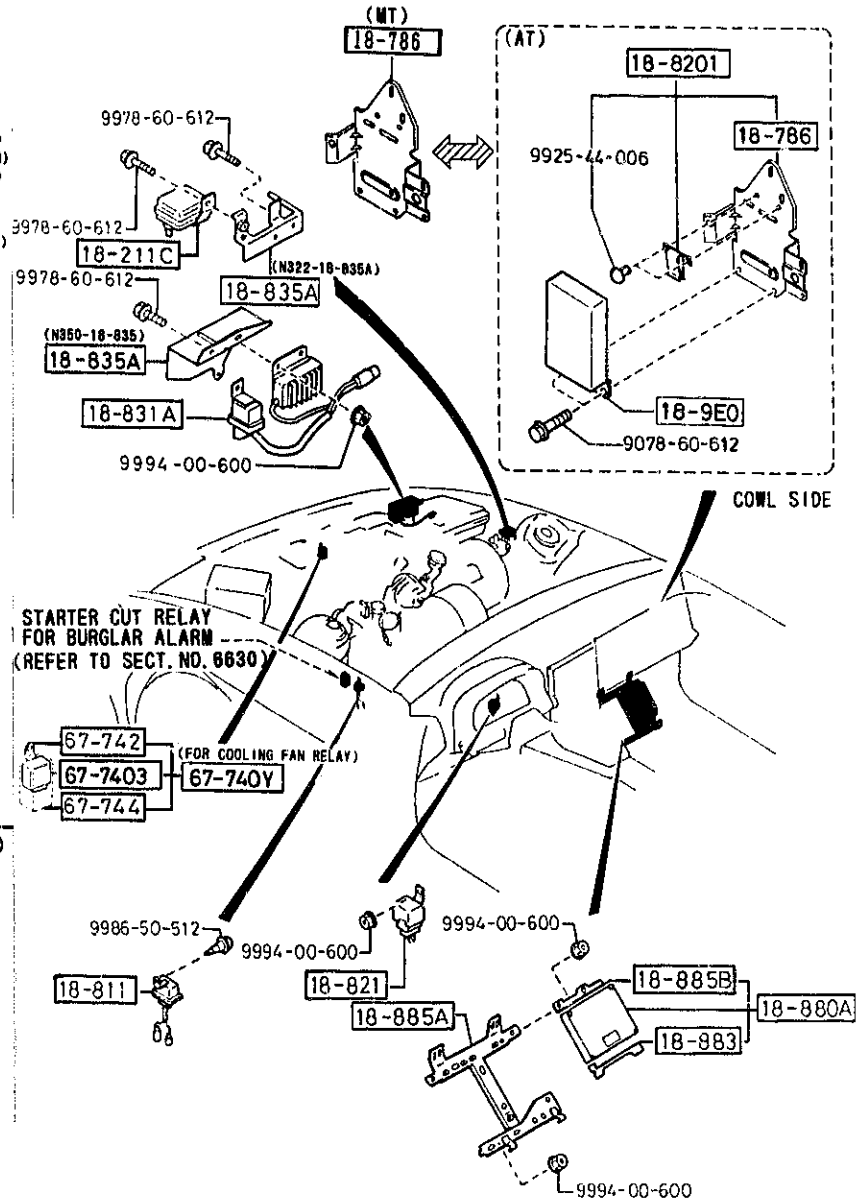
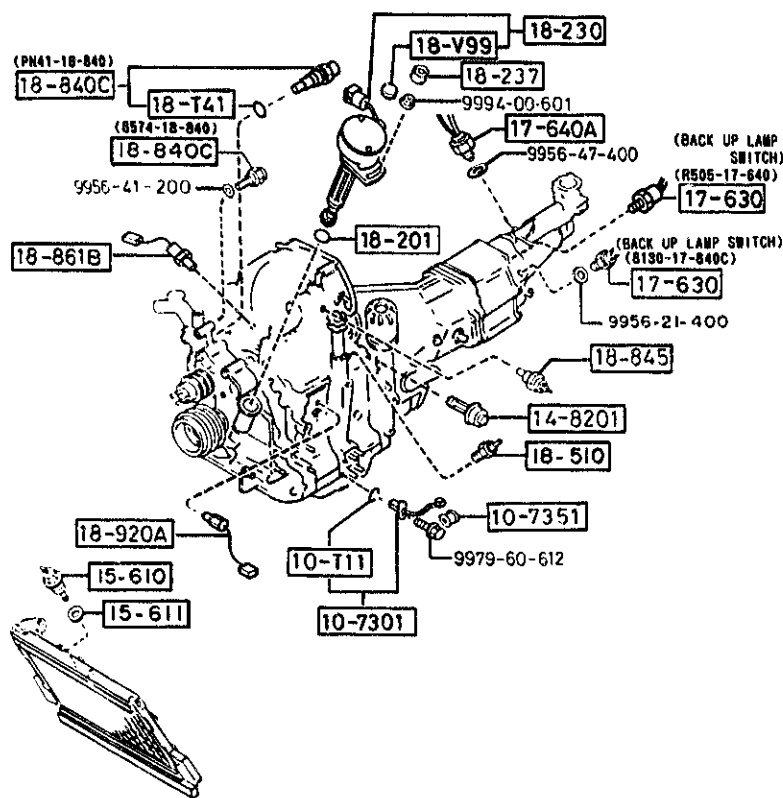
PART NO.	QTY	MODEL/RESTRICTION	MODEL/RESTRICTION	MODEL/RESTRICTION	FROM-TO
COMT'D					
02	INT-	FD8 FE1 BLACK			
48	INT-	FD9 BLUE			
R1-926		WASHER,HOOK-HOOD COV ER			
FB67-R1-926A	13				
R1-930		RETAINER(R),ROOF PAN EL			
FB67-R1-930A	1				
R1-940		RETAINER(L),ROOF PAN EL			
FB67-R1-940A	1				
R1-951A		WTHSTP(R),ROOF PANEL			
FC54-R1-951B	1				
R1-952A		WTHSTP(L),ROOF PANEL			
FC54-R1-952B	1				
R1-953		HOOK,HOOD-REAR CORNE R			
B235-R1-953	12				
R1-958		WASHER,HOOK'A'&'B'			
B235-R1-958A	10				
R1-962		HOOK, TOP BOOT			
NA01-R1-962	6				
00	INT-	FD8 FD9 FE1 BLACK			
62-364		SCREW,STRIKER			
FB67-R1-222	4				
67-051P		HARNES,REAR DEFFOGE R			
FB67-67-060A	2				
68-865		FASTENER			
*B042-68-865	13				
* 00	INT-	FD8 FD9 FE1 BLACK			

CAT. AUFA03-07

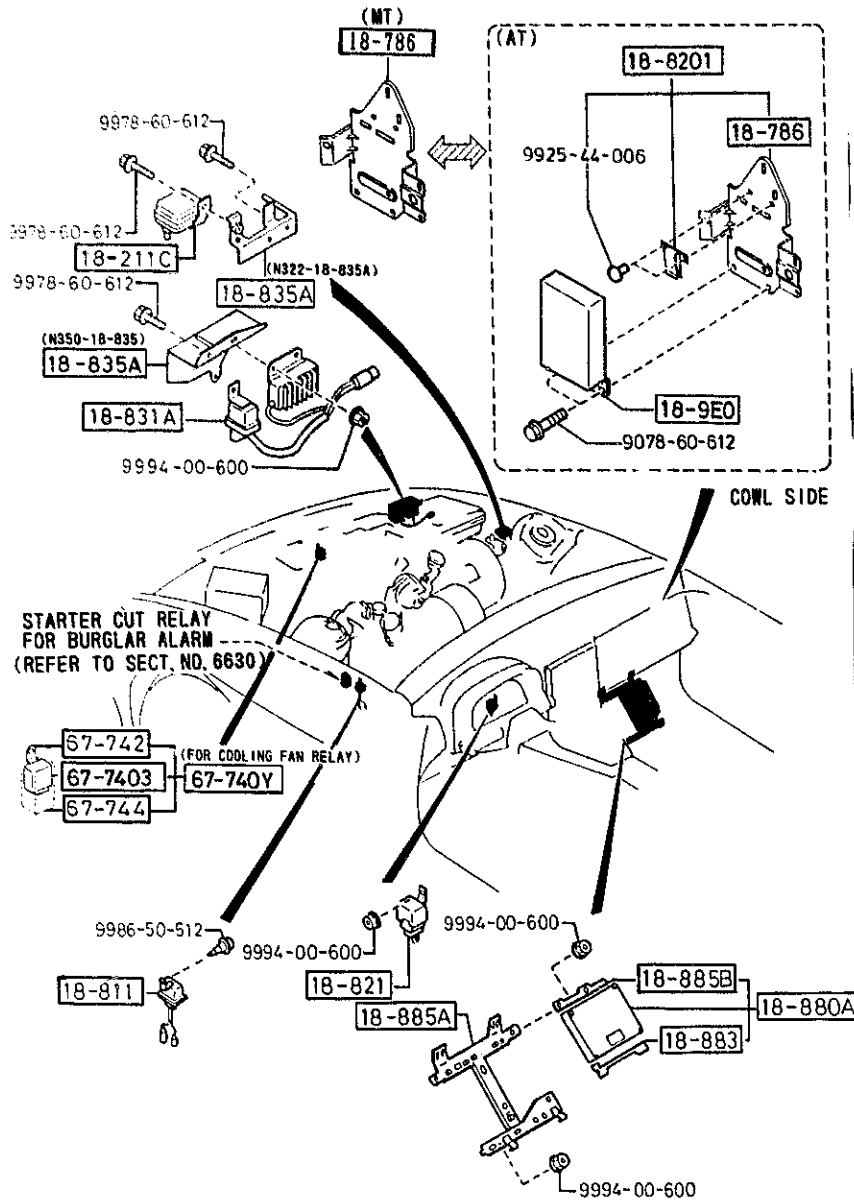
1993-12

(THIS ILLUSTRATION CONSISTS OF 2 PAGES)

(THIS ILLUSTRATION CONSISTS OF 2 PAGES)

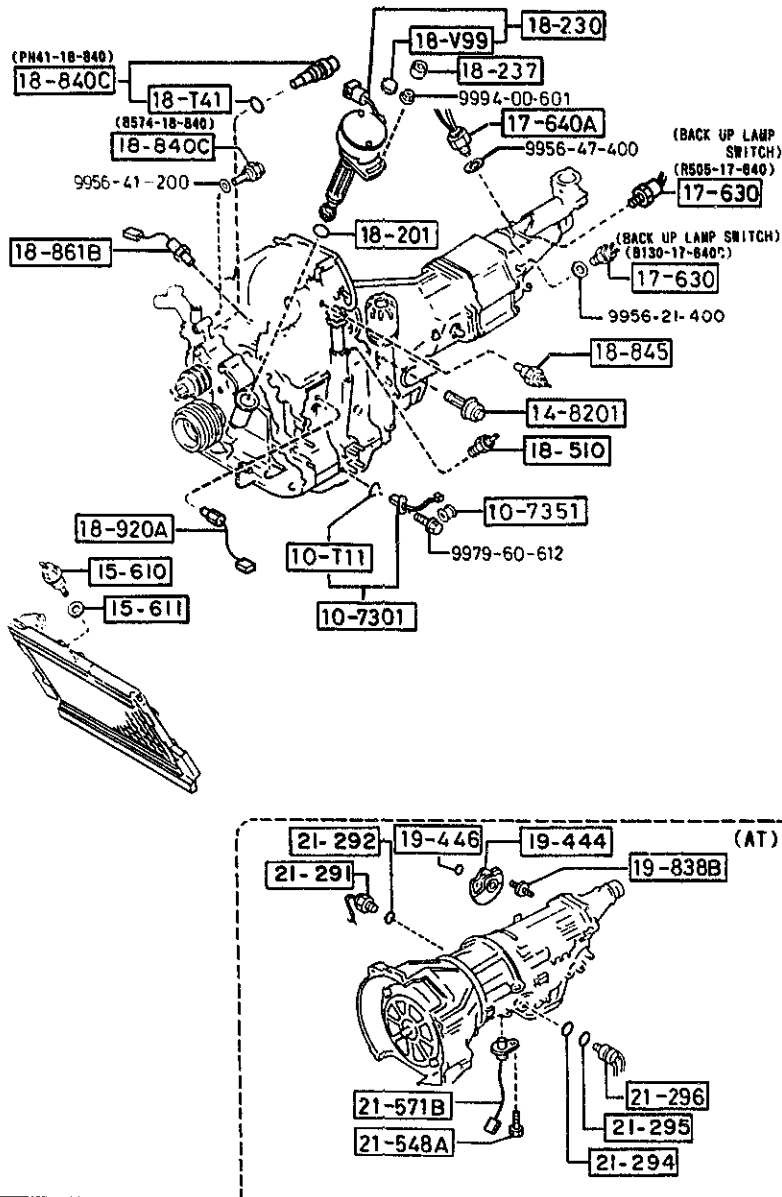


(THIS ILLUSTRATION CONSISTS OF 2 PAGES)



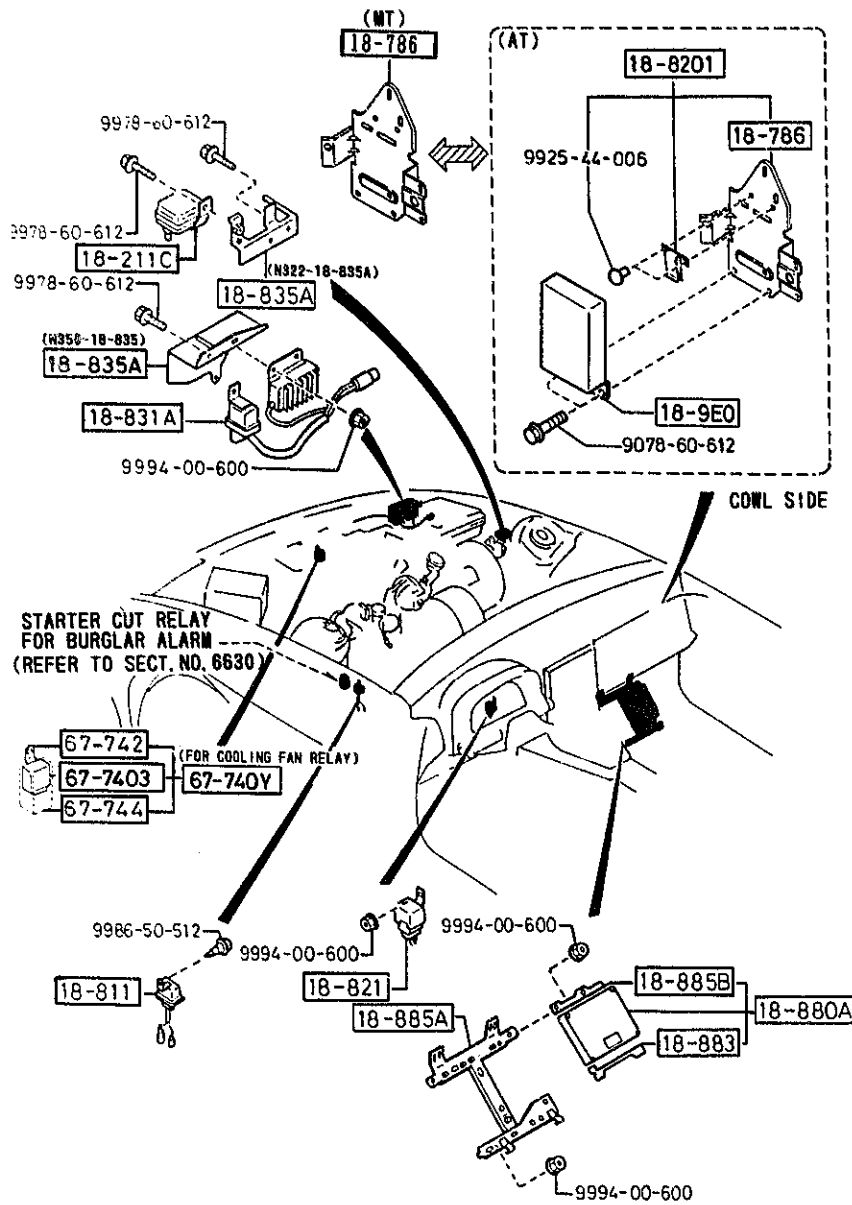
PART NO.	QTY	MODEL/RESTRICTION	MODEL/RESTRICTION	MODEL/RESTRICTION	FROM-10
18-237 N326-18-237	1	CAP, CRANK ANGLE SENS OR			
18-510 JE15-18-51X	1	UNIT, HEAT GAUGE PANASONIC			
18-786 N361-18-946A	1	BRACKET, CONTROL UNIT			
18-811 N350-18-811	1	RELAY, MAIN			
18-8201 N361-18-945B	1	BRACKET, CONTROL UNIT (AT)			
18-821 N326-18-821A	1	RELAY, FUEL PUMP			
18-831A N374-18-831	1	RESISTOR, SOL.-FUEL P UMP			
18-835A N322-18-835A	1	BRACKET			
18-840C PN41-18-840	1	SENSOR, TEMP.-ENG. COO LANT DENSO ((W/O TURBO)>(AT)) ((TURBO)>(MT))			
18-845 N326-18-845	1	SENSOR, IN. AIR TEMP			
18-861B N350-18-861	1	SENSOR, OXYGEN (W/O TURBO)			
18-880A N350-18-880	1	MODULE, POWERTRAIN CO NTROL (W/EM LABEL-CALIF.) ((W/O TURBO)>(CPE))			

(THIS ILLUSTRATION CONSISTS OF 2 PAGES)



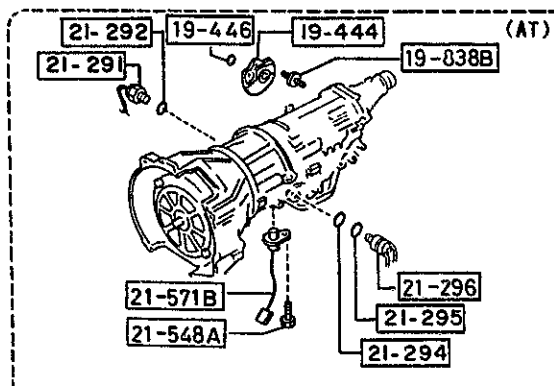
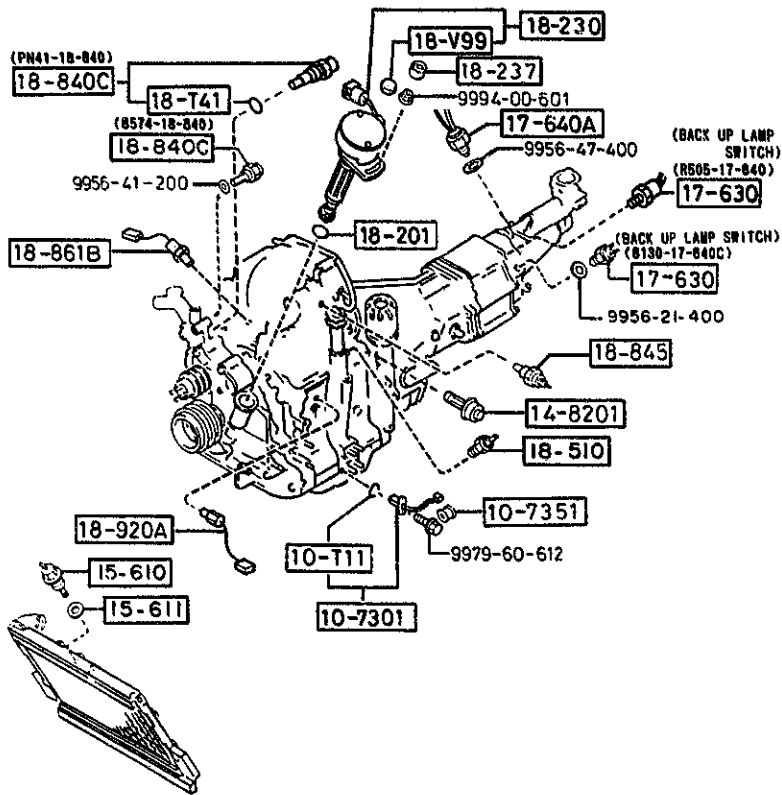
PART NO.	QTY	MODEL/RESTRICTION	MODEL/RESTRICTION	MODEL/RESTRICTION	FROM-TO
CONT'D					
N351-18-880	1	(W/EM LABEL-FED.) (W/D TURBO)>(CPE)			
N352-18-880	1	(W/EM LABEL-CALIF.) (W/D TURBO)>(CONVERTIBLE)>('91 MODEL)			
N353-18-880	1	(W/EM LABEL-FED.) (W/D TURBO)>(CONVERTIBLE)>('91 MODEL)			
N381-18-881	1	(W/EM LABEL-FED.) (W/D TURBO)>(CONVERTIBLE)>('92 MODEL)			
N383-18-881	1	(W/EM LABEL-CALIF.) (W/D TURBO)>(CONVERTIBLE)>('92 MODEL)			
N370-18-880	1				-0823
A (N370-18-880A)					
N370-18-880A	1	(TURBO)			0823-
18-883		BRACKET, CONTROL UNIT			
N326-18-883	1				
18-885A		BRACKET, CONTROL UNIT			
N326-18-885A	1	(CPE)			
N387-18-885A	1	(CONVERTIBLE)			
18-885B		BRACKET, CONTROL UNIT			
HE21-18-885A	1				
18-9ED		MODULE, PWT. CONTROL			
N351-18-9E1B	1				-0903
A (N351-18-9E1C)					
N351-18-9E1C	1	(AT)			0903-
18-920A		SENSOR, KNOCK			
N318-18-921	1	(TURBO)			
19-444		SWITCH, INHIBITOR			
BV09-19-444	1	(AT)			
19-446		RING, 'D'			
0338-19-446	1	(AT)			
19-838B		BOLT			
BU17-19-838	2				-1301
0823 FC3***-900742 0903 FC3***-901338 1301 FC3***-906890					

(THIS ILLUSTRATION CONSISTS OF 2 PAGES)



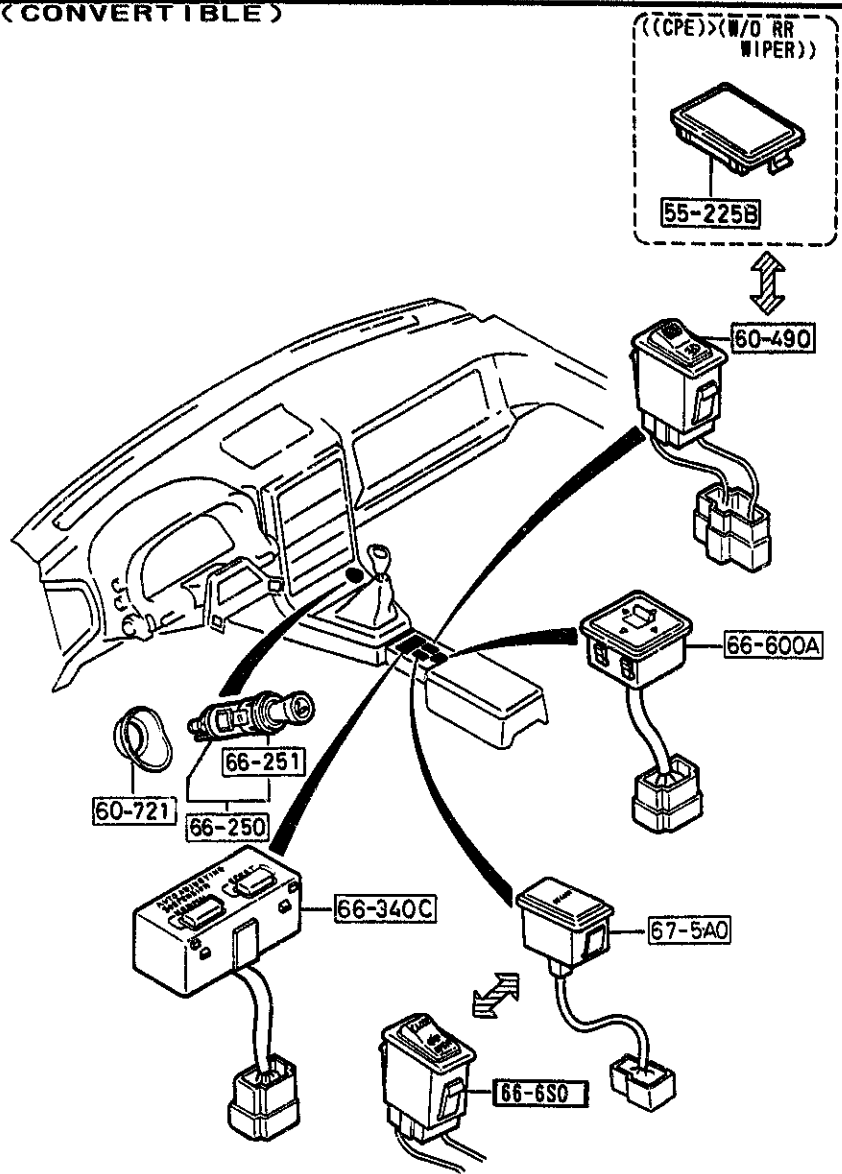
PART NO.	QTY	MODEL/RESTRICTION	MODEL/RESTRICTION	MODEL/RESTRICTION	FROM-TO
CONT'D					
A (BU17-19-838A)					
BU17-19-838A	2	(AT)			1301-
21-291		SWITCH,OIL PRESSURE			
BV09-21-2J1	1	(AT)			
21-292		RING,'O'			
BU01-21-292A	1	(AT)			
21-294		RING,'O'			
BU01-21-294	1	(AT)			
21-295		RING,'O'			
BU01-21-295	1	(AT)			
21-296		SOLENOID,LOCK UP CON			
BV09-21-3A5	1	TROL (AT)			
21-548A		BOLT			
BV01-21-548	1	(AT)			
21-571B		GENERATOR,SPEED PULS			
BV09-21-5H1	1	E (AT)			
67-740Y		RELAY & COVER,NORMAL			
H320-67-740	1	OPEN 30A (FOR COOLING FAN REL AY) ((W/O TURBO)>(AT)>(C PE)) (TURBO)			
H430-67-740	1	(FOR COOLING FAN REL AY) ((W/O TURBO)>(AT)>(C ONVERTIBLE))			
67-7403		RELAY,N.O.			
H270-67-740	1	30A (FOR COOLING FAN REL AY) ((W/O TURBO)>(AT)>(C PE)) (TURBO)			
67-742		BRACKET,RELAY			
H320-67-742	1	(FOR COOLING FAN REL			
1301 FC3MMX-906890					

(THIS ILLUSTRATION CONSISTS OF 2 PAGES)



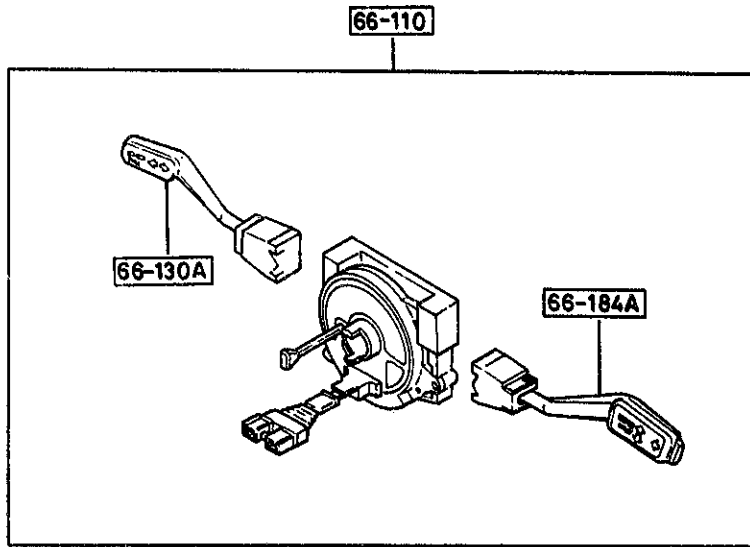
PART NO.	QTY	MODEL/RESTRICTION	MODEL/RESTRICTION	MODEL/RESTRICTION	FROM-TO
CONT'D		AY) (W/O TURBO)>(AT)>(C PE) (TURBO)			
67-744 H311-67-744	1	BOOT,RELAY-WATER PRO OF (FOR COOLING FAN REL AY) (W/O TURBO)>(AT)>(C PE) (TURBO)			

6610 DASHBOARD SWITCHES
(CONVERTIBLE)

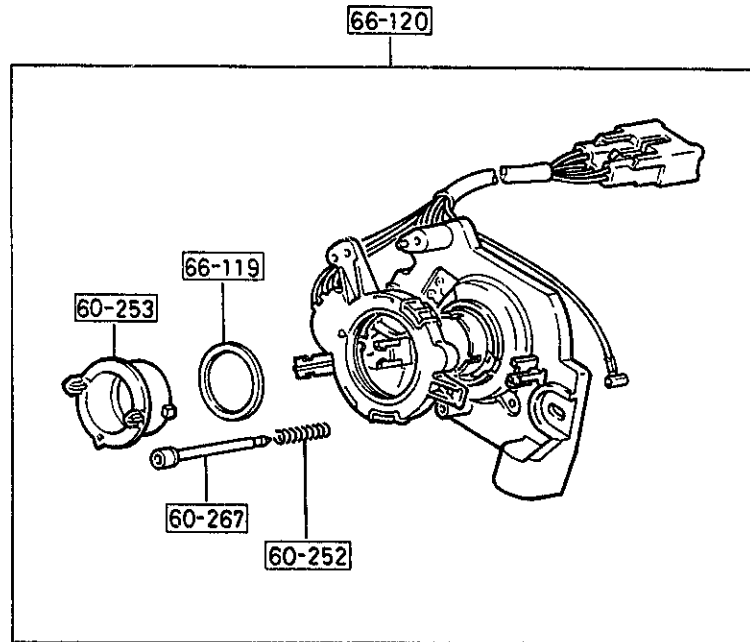


PART NO.	QTY	MODEL/RESTRICTION	MODEL/RESTRICTION	MODEL/RESTRICTION	FROM-TO
55-225B B001-55-225A	1	COVER, HOLE ((CPE)>(W/O RR WIPER))			
60-490 F044-66-480	1	SWITCH, FOG LAMP (CONVERTIBLE) ((CPE)>(W/RR WIPER))			
60-721 FB01-66-241	1	PROTECTOR			
66-250 FB01-66-250	1	LIGHTER, CIGAR			
66-251 UB40-66-251	1	RING, ILLUMINATION			
66-340C FB07-66-340	1	SWITCH, ADJUSTABLE DAMPER (A.A. SUSP)			
66-6S0 FC66-66-6S0	1	SWITCH, SOFT TOP (CONVERTIBLE)			
66-600A FB02-66-600B	1	SWITCH, RMT. MIRROR (CONVERTIBLE)			
67-5A0 FB01-67-5A0A	1	DISPLAY, SECURITY-ALARM (W/BURGLAR ALARM) (CPE)			

6611 COMBINATION SWITCH

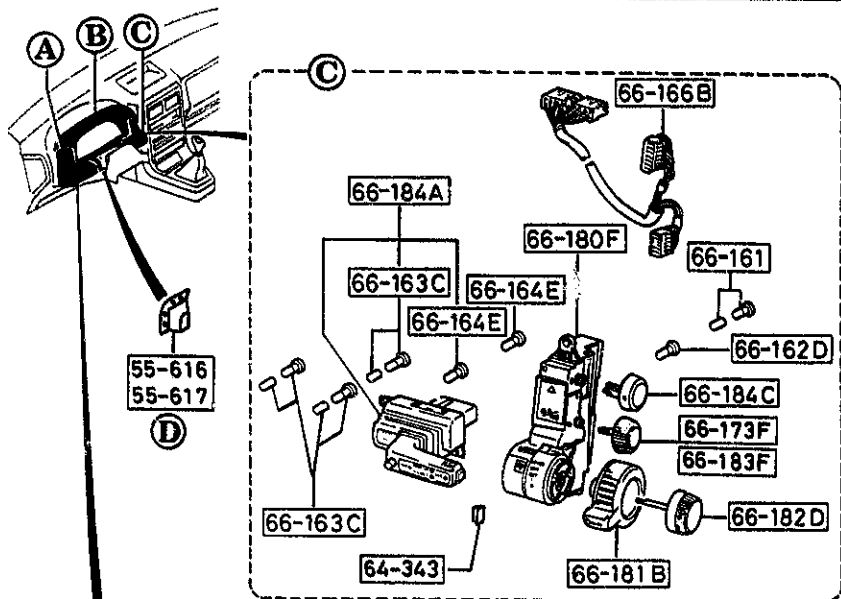


(CPE)

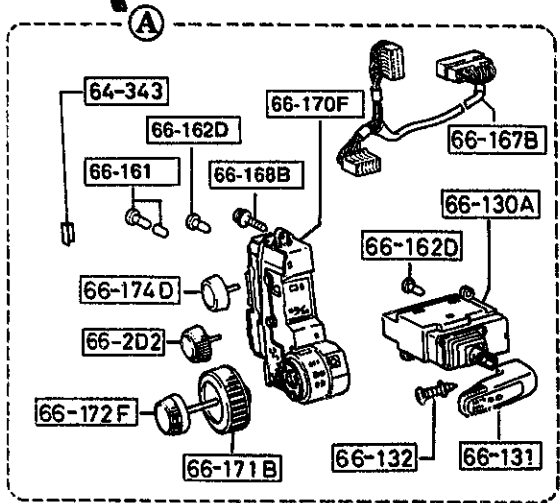


PART NO.	QTY	MODEL/RESTRICTION	MODEL/RESTRICTION	MODEL/RESTRICTION	FROM-TO
60-252		SPRING			
FB01-66-117	1	(CPE)			
60-253		CAM, CANCEL			
FB01-66-126	1	(CPE)			
60-267		CONTACT, HORN			
FB01-66-127	1	(CPE)			
66-110		SWITCH, COMBINATION			
FC66-66-120A	1	(CONVERTIBLE)			
66-119		WASHER, CONTACT SPRING			
FB01-66-119	1	(CPE)			
66-120		SENSOR, TURN CANCEL			
FB01-66-120	1	(CPE)			
66-130A		SWITCH, TURN-CLUSTER SW.			
FC66-66-130	1	(CONVERTIBLE)			
66-184A		SWITCH, CRUISE-CLUSTER			
FC66-66-34X	1	(CONVERTIBLE)			

6612 CLUSTER SWITCH



NOTE
 A... D ⇒ 66-160B
 THE D-CODE OF 66-160B CONSISTS OF
 FIGURE NUMBERS A THROUGH D.



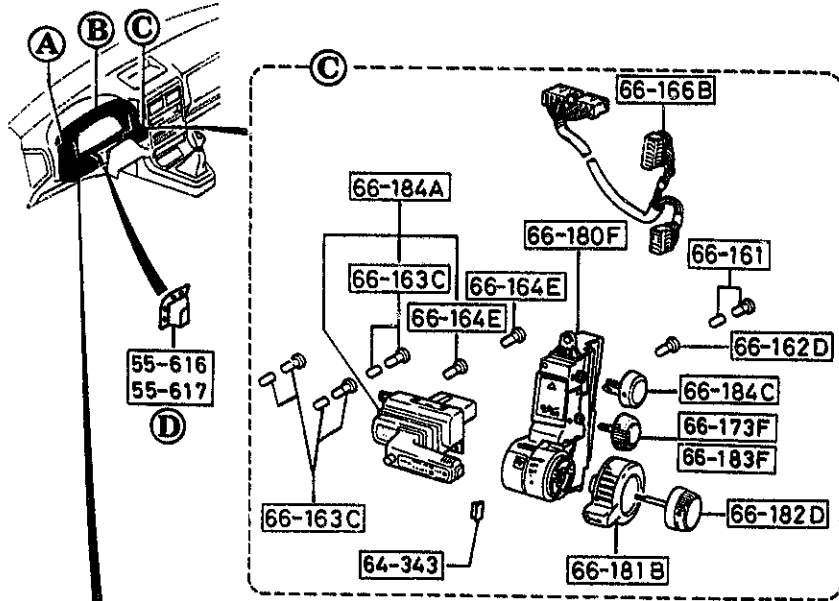
PART NO.	QTY	MODEL/RESTRICTION	MODEL/RESTRICTION	MODEL/RESTRICTION	FROM-TO
55-616 FC66-55-616	1	COVER(R), CLUSTER SWITCH (CONVERTIBLE)			
55-617 FC67-55-617	1	COVER(L), CLUSTER SWITCH (CONVERTIBLE)			
64-343 FC66-64-343	2	SPRING (CONVERTIBLE)			
66-130A FC01-66-130	1	SWITCH, TURN-CLUSTER SW. (CPE)			
66-131 FC01-66-131	1	KNOB, TURN-CLUSTER SWITCH (CPE)			
66-132 FC01-66-132	1	SCREW & WASHER, TURN KNOB (CPE)			
66-160B FC01-66-160A	1	SWITCH, CLUSTER ((CPE)) (W/O RR WIPER)			
FC07-66-160A	1	((CPE)) (W/RR WIPER)			
FC66-66-160A	1	(CONVERTIBLE)			
66-161 FB01-66-161	2	BULB 'A', CLUSTER SWITCH			
66-162D FB01-66-162	2	BULB 'B', CLUSTER SWITCH (CONVERTIBLE)			
FB01-66-162	3	(CPE)			
66-163C FC01-66-163	3	BULB 'C', CLUSTER SWITCH ((CPE)) (W/RR WIPER)			
66-164E FB01-66-164	2	BULB 'D', CLUSTER SWITCH ((CPE)) (W/RR WIPER)			
66-166B FC01-66-166	1	HARNES, WIPER-CLUSTER SW. (CPE)			

AUFA03

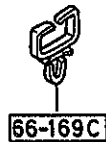
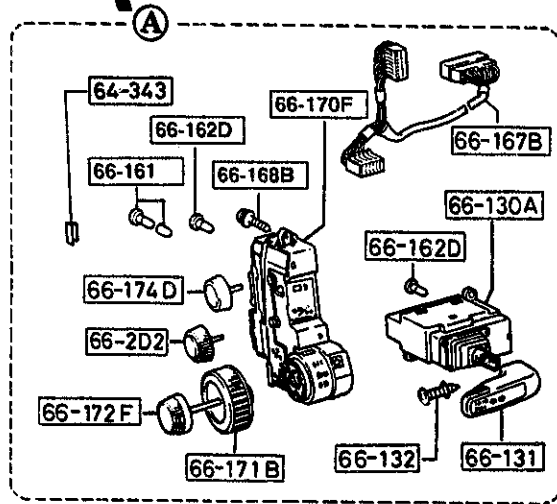
CAT. AUFA03-07

1993-12

6612 CLUSTER SWITCH



NOTE
 A... D → 66-160B
 THE D-CODE OF 66-160B CONSISTS OF
 FIGURE NUMBERS A THROUGH D.



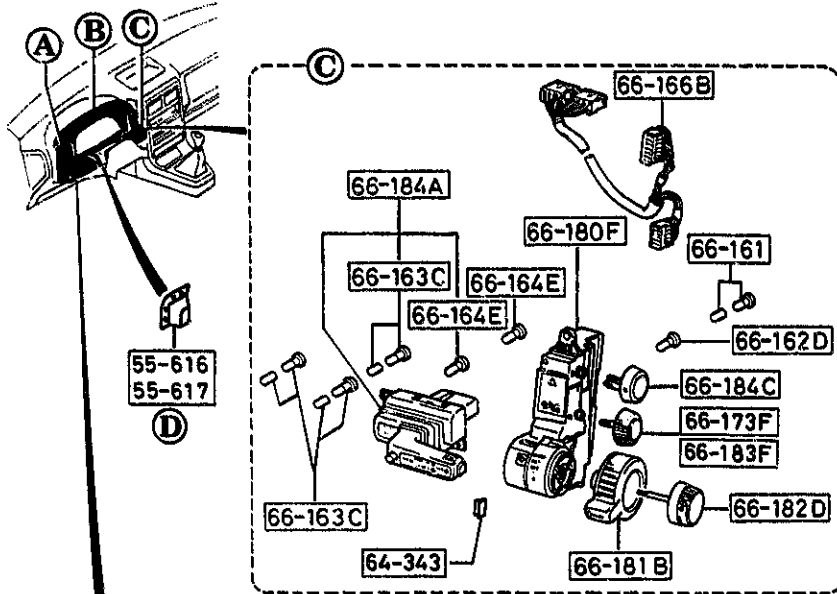
PART NO.	QTY	MODEL/RESTRICTION	MODEL/RESTRICTION	MODEL/RESTRICTION	FROM-TO
CONT'D					
FC66-66-166	1	(CONVERTIBLE)			
66-167B		HARNES, LIGHT-CLUSTE R SW.			
FC01-66-167	1	(CPE)			
FC66-66-167A	1	(CONVERTIBLE)			
66-168B		SCREW, CLUSTER SWITCH			
FC01-66-168	1	(CPE)			
FC01-66-168	6	(CONVERTIBLE)			
66-169C		CLIP, CORD-CLUSTER SW ITCH			
FB01-66-169	1	(CPE)			
66-170F		SWITCH, LIGHT-CLUSTER SW.			
FC01-66-170	1				
66-171B		KNOB, LIGHT-CLUSTER S WITCH			
FC01-66-171	1				
66-172F		KNOB, PANEL LIGHT-CLU STER			
FC01-66-172	1				
66-173F		KNOB, SMALL--CLUSTER SW.			
FC01-66-173	1	((CPE)>(W/RR WIPER)) (CONVERTIBLE)			
66-174D		KNOB, REAR DEFFOG-CLU STER			
FB01-66-174	1				
66-180F		SWITCH, WIPER-CLUSTER SW.			
FC01-66-180	1	((CPE)>(W/O RR WIPER))			
FC07-66-180	1	((CPE)>(W/RR WIPER))			
FC66-66-180	1	(CONVERTIBLE)			
66-181B		KNOB, WIPER-CLUSTER S WITCH			
FC01-66-181	1				
66-182D		KNOB, WASHER-CLUSTER SW.			
FC01-66-182	1				

AUFA03

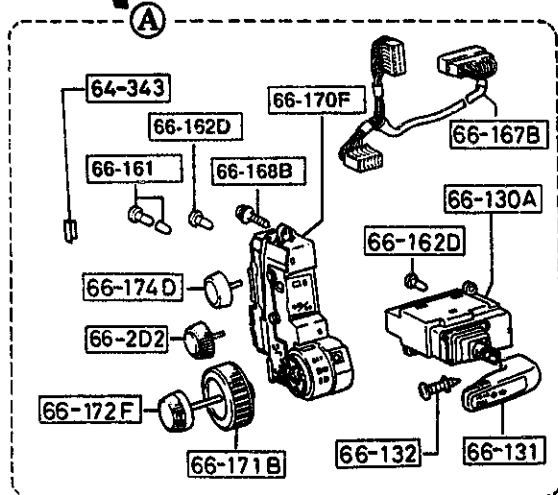
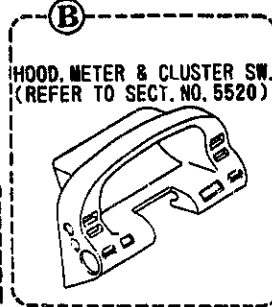
CAT. AUFA03-07

1993-12

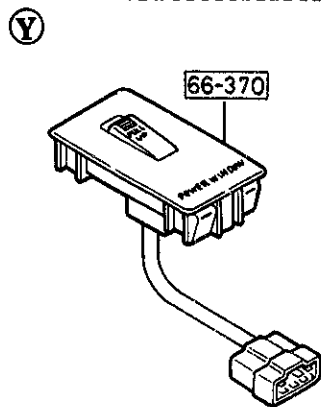
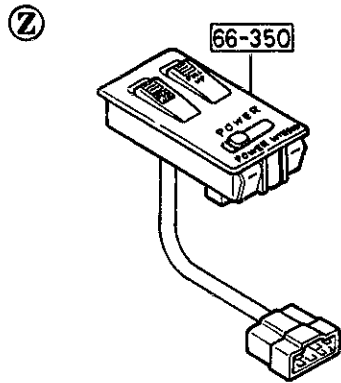
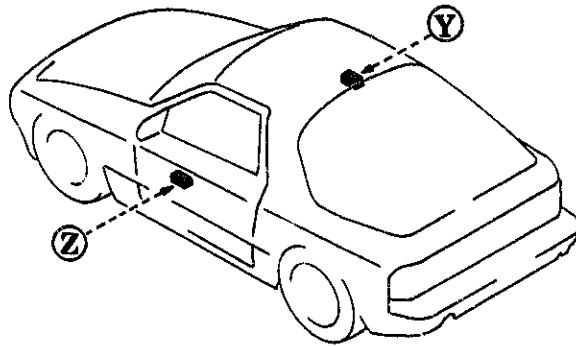
6612 CLUSTER SWITCH



NOTE
 A...D → 66-160B
 THE D-CODE OF 66-160B CONSISTS OF
 FIGURE NUMBERS A THROUGH D.

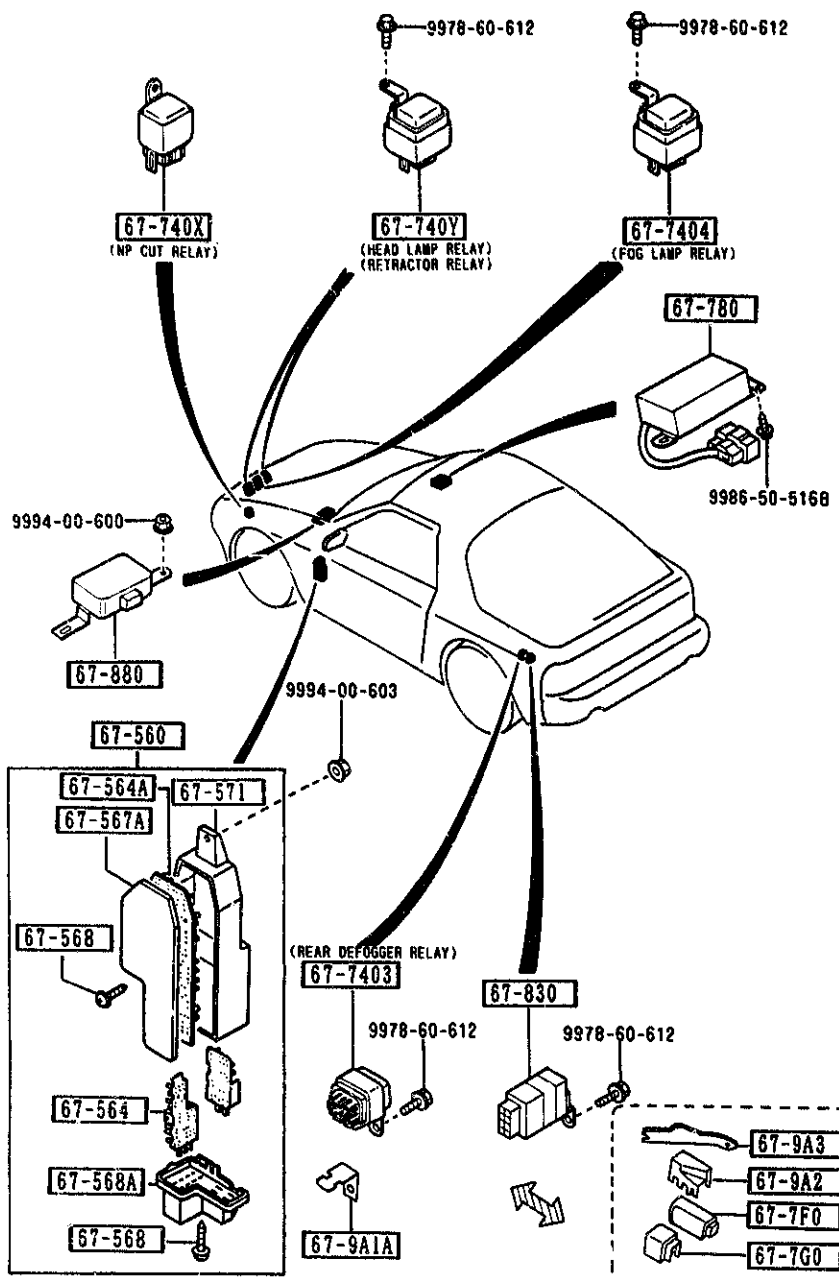


PART NO.	QTY	MODEL/RESTRICTION	MODEL/RESTRICTION	MODEL/RESTRICTION	FROM-TO
66-183F FC01-66-183	1	KNOB, DUMMY-CLUSTER SWITCH (CPE) <W/O RR WIPER>			
66-184A FC01-66-34X	1	SWITCH, CRUISE-CLUSTER (CPE) <W/RR WIPER>			
66-184C FB01-66-184	1	KNOB, HAZARD-CLUSTER SW.			
66-2D2 FC02-66-173	1	KNOB, SWITCH-RR WIPER			



PART NO.	QTY	MODEL/RESTRICTION	MODEL/RESTRICTION	MODEL/RESTRICTION	FROM-TO
66-350 FC01-66-350B	1	SWITCH, POWER WINDOW			
66-370 FC01-66-370B	1	SWITCH, POWER WINDOW			

6630 RELAYS & UNIT (BODY)



AUFA03

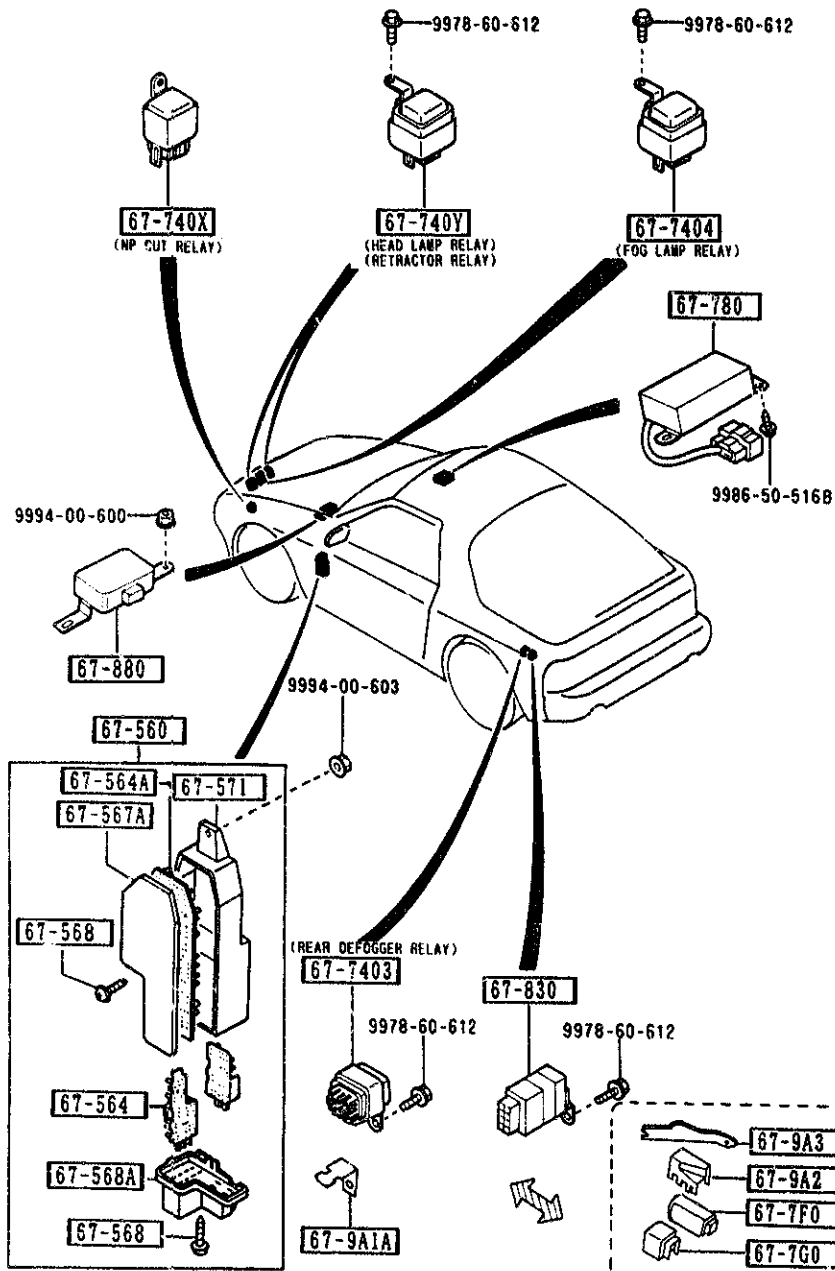
PART NO.	QTY	MODEL/RESTRICTION	MODEL/RESTRICTION	MODEL/RESTRICTION	FROM-TO
67-560		UNIT,CENTRAL CONTROL			
FC01-67-560	1	(CPE)			
FC66-67-560A	1	(CONVERTIBLE)			
67-564		PLATE,FLASHER-C. P. UNIT			
FB01-67-564	1				
67-564A		BOARD,PRINT-BURGLAR ALARM (CPE)			
FC01-67-564	1				
FC66-67-564	1	(CONVERTIBLE)			
67-567A		COVER,MAIN-C. P. UNIT			
FC01-67-567	1				
67-568		SCREW,TAPPING			
FB01-67-569	2				
67-568A		COVER,SUB-C. P. UNIT			
FC01-67-568	1				
67-571		CASE,CONTROL UNIT			
FC01-67-566	1				
67-7F0		UNIT,DIAGNOSIS-AIR BAG			
NA01-67-7F0A	1	(CONVERTIBLE)			
67-7G0		UNIT,BACK UP POWER-AIR BAG			
NA01-67-7G0A	1	(CONVERTIBLE)			
67-740X		RELAY & COVER,NORMAL CLOSE			
B311-67-740	1	(FOR NP CUT RELAY)			
67-740Y		RELAY & COVER,NORMAL OPEN			
H430-67-740	2	(HEAD LAMP RELAY) (RETRACTOR RELAY)			
67-7403		RELAY,N.O.			
H440-67-740	1	(REAR DEFOGGER RELAY)			
67-7404		RELAY,TRANSFER			

CAT. AUFA03-07

1993-12

6630 RELAYS & UNIT (BODY)

6630 -2 * RELAYS & UNIT (BODY)



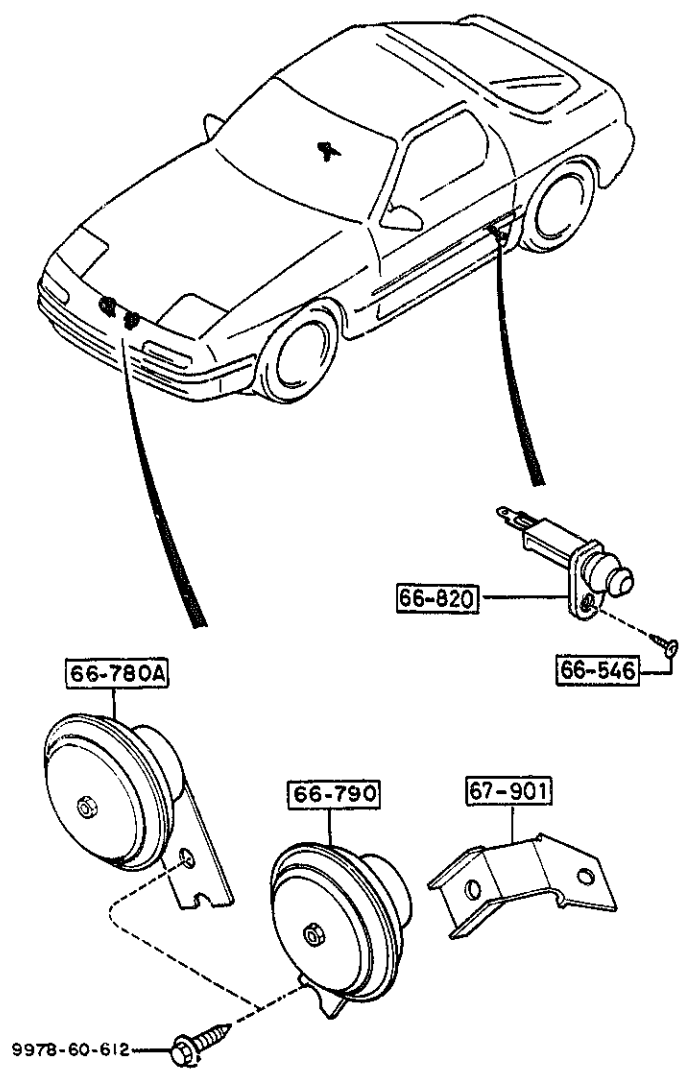
AUFA03

PART NO.	QTY	MODEL/RESTRICTION	MODEL/RESTRICTION	MODEL/RESTRICTION	FROM-TO
CONT'D H432-67-740	1	(FOG LAMP RELAY)			
67-780		BOX, CON-AUTO SHOULD. BELTS (CPE)			
FC01-67-780A	1				
67-830		UNIT, DOCK LOCK & TIMER			
FC33-67-830	1				
67-880		BOX, CONTROL-E. C. P. S. SYS. TURBO, (W.P.S.-VELOCITY SENSOR) (CPE)			
FC01-67-880A	1				
67-9A1A		BRACKET, RELAY			
FC33-67-9A1	1				
67-9A2		COVER, RELAY			
FC66-67-9A2	1	(CONVERTIBLE)			
67-9A3		LABEL, CAUTION-RELAY			
FC66-67-9A3	1	(CONVERTIBLE)			

CAT. AUFA03-07

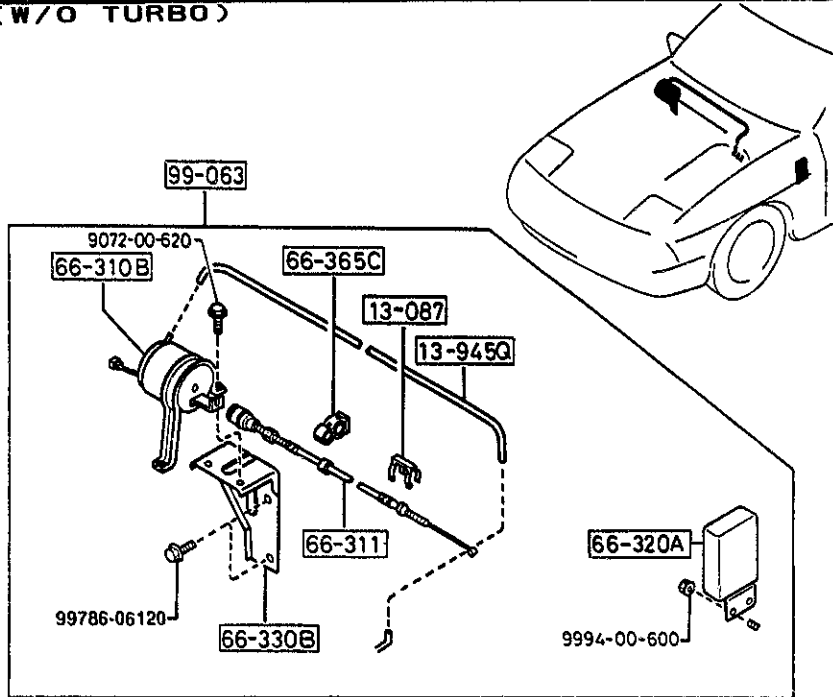
1993-12

6635 DOOR SWITCH & HORNS

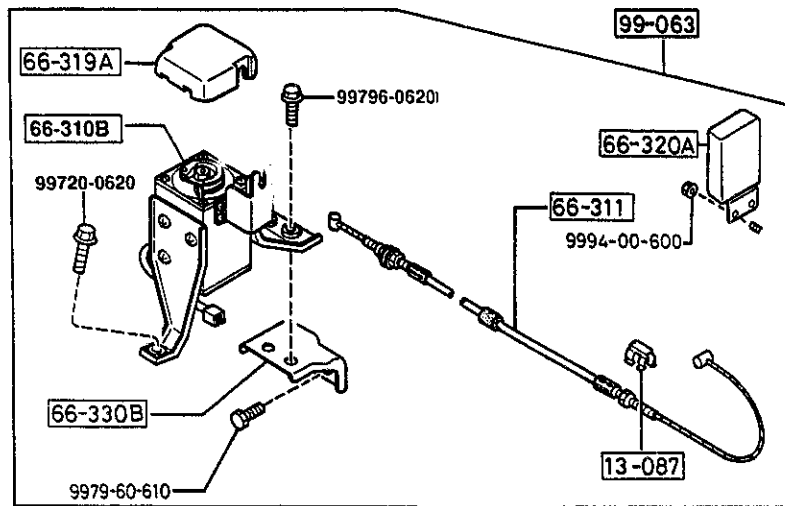


PART NO.	QTY	MODEL/RESTRICTION	MODEL/RESTRICTION	MODEL/RESTRICTION	FROM-TO
66-546 LA01-66-546	2	SCREW, DOOR SWITCH			
66-780A FB03-66-780	1	HORN, HIGH TONE			
66-790 FB01-66-790	1	HORN, LOW TONE			
66-820 FB02-66-540	2	SWITCH, DOOR			
67-901 FB05-66-792	1	BRACKET, HORN			

(W/O TURBO)



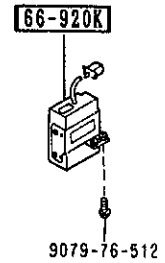
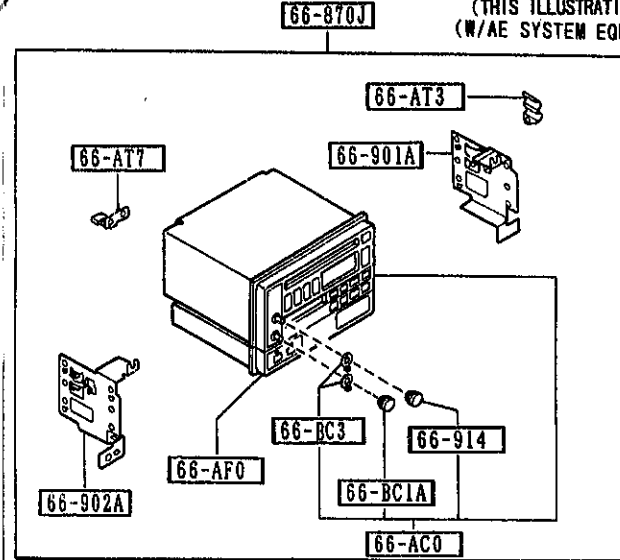
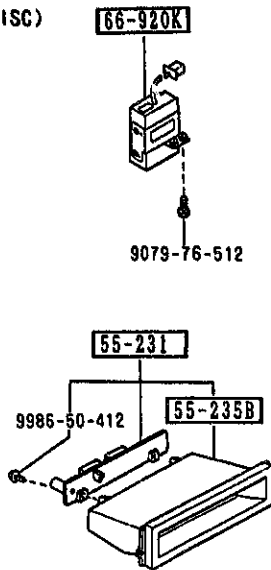
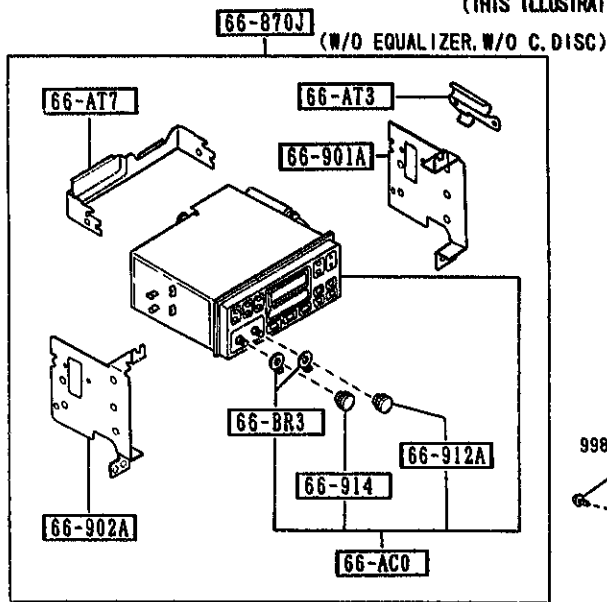
(TURBO)



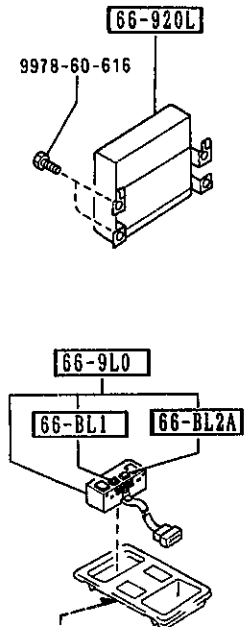
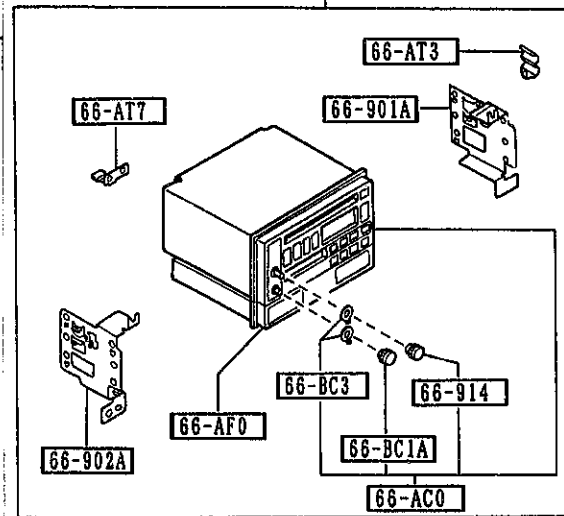
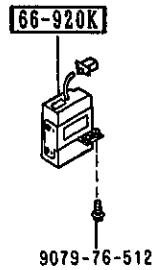
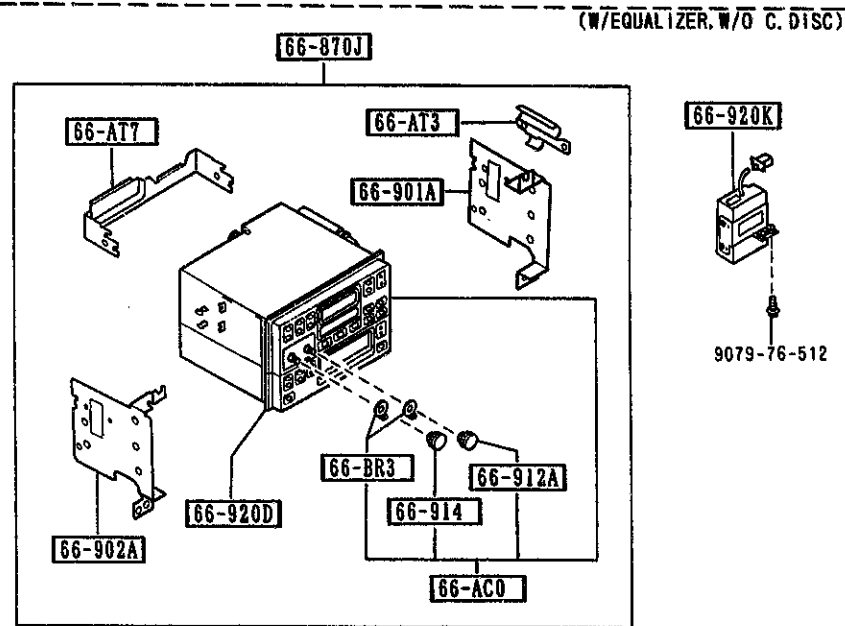
PART NO.	QTY	MODEL/RESTRICTION	MODEL/RESTRICTION	MODEL/RESTRICTION	FROM-TO
13-087		SPRING			
8871-13-087A	1				
13-945Q		PIPE			
FC01-66-361	1	(W/O TURBO)			
66-310B		ACTUATOR, A.C.C.			
FB01-66-310A	1	(W/O TURBO)			
F046-66-310B	1	(TURBO)			
66-311		WIRE, A.C.C.			
FB44-66-311A	1	(TURBO)			
FC01-66-311	1	(W/O TURBO)			
66-319A		COVER, ACTUATOR			
B107-66-319	1	(TURBO)			
66-320A		UNIT, A.C. CONTROL			
FC01-66-320A	1	(W/O TURBO)			
FC17-66-320A	1	(TURBO)			
66-330B		BRACKET, A.C.C. BOX			
FB01-66-330	1				
66-365C		CLIP			
UB40-66-365	2	(W/O TURBO)			
99-063		A.C.C. SET			
8AF3-66-340	1	(W/O TURBO)			
8AF4-66-340	1	(TURBO)			

(THIS ILLUSTRATION CONSISTS OF 3 PAGES)

(THIS ILLUSTRATION CONSISTS OF 3 PAGES)



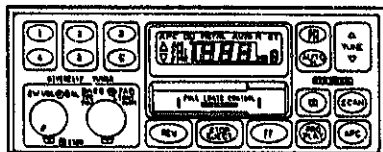
66-870J (CONVERTIBLE)



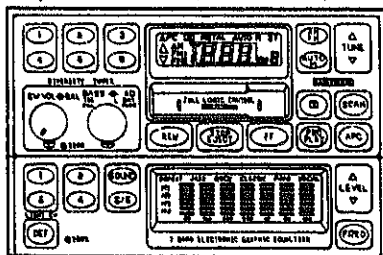
PANEL, SWITCH (REFER TO SECT. NO. 5570)

(THIS ILLUSTRATION CONSISTS OF 3 PAGES)

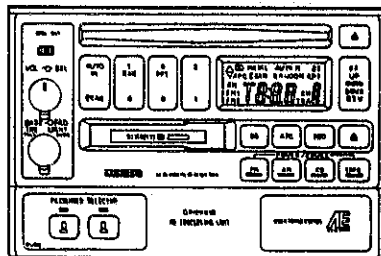
(W/O EQUALIZER, W/O C.DISC)



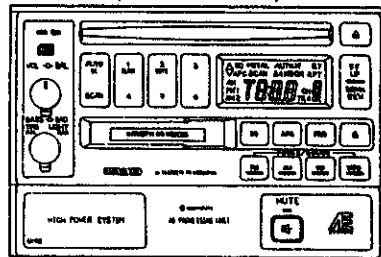
(W/EQUALIZER, W/O C.DISC)



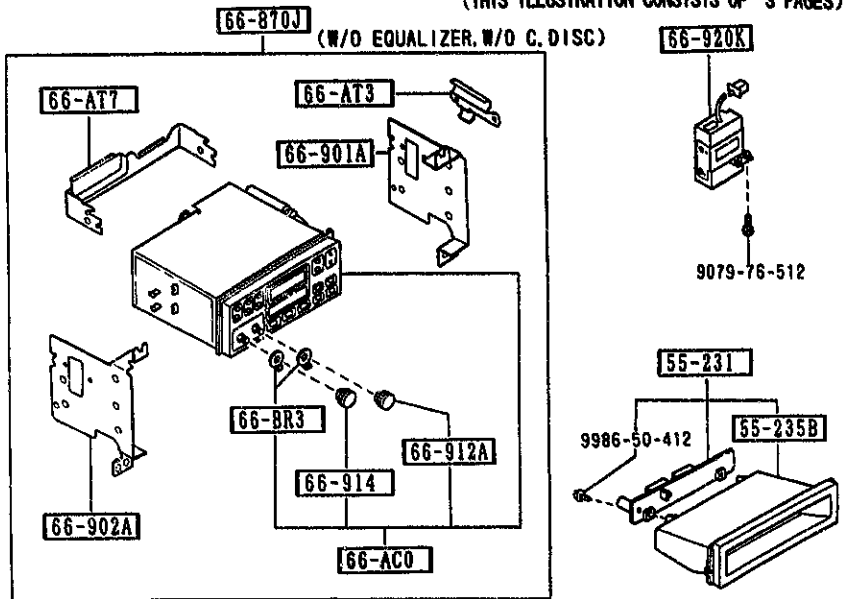
(W/AE SYSTEM EQUALIZER, W/C.DISC)



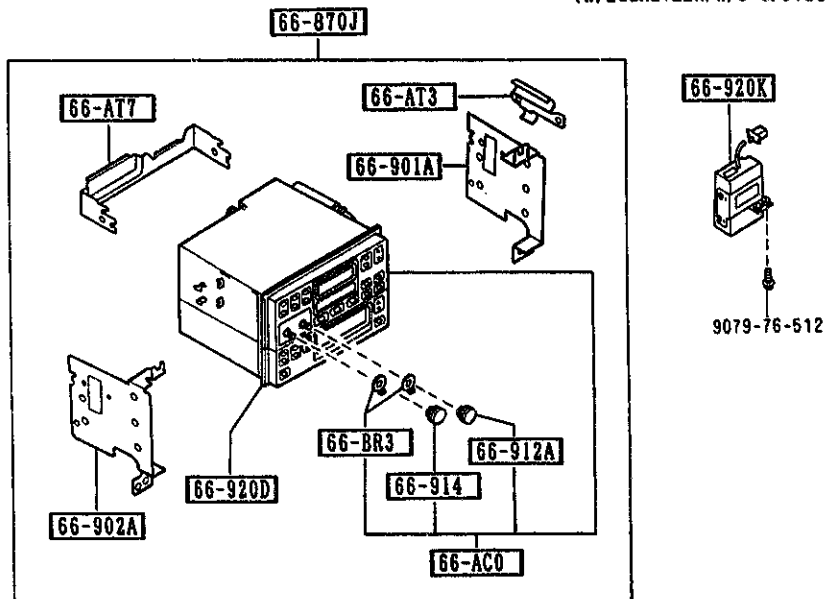
(CONVERTIBLE)



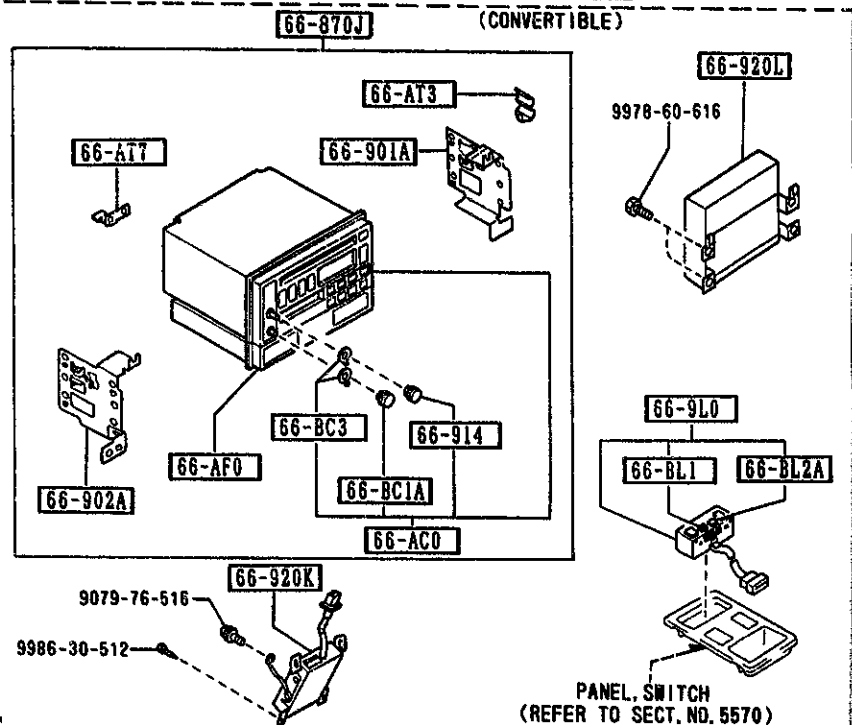
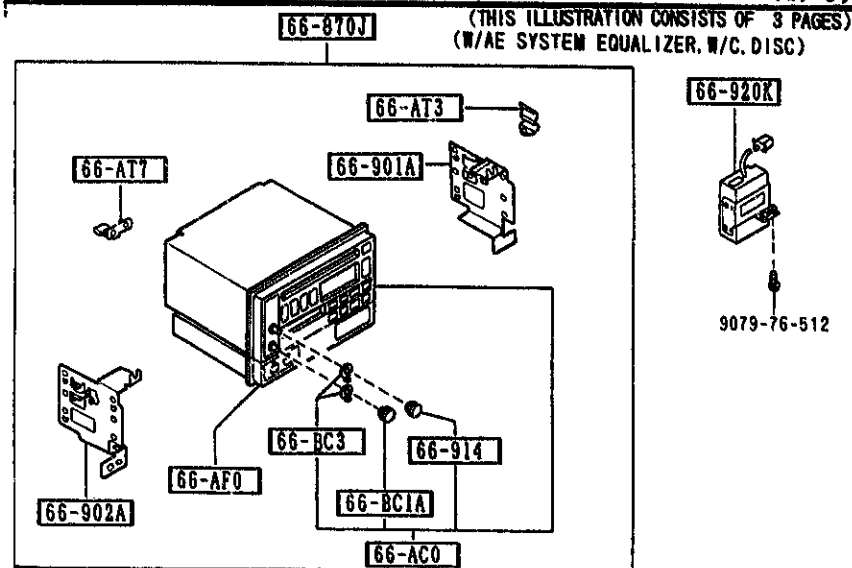
(THIS ILLUSTRATION CONSISTS OF 3 PAGES)



(W/EQUALIZER, W/O C. DISC)



PART NO.	QTY	MODEL/RESTRICTION	MODEL/RESTRICTION	MODEL/RESTRICTION	FROM-TO
55-231		ORNAMENT, STEREO			
FC03-55-23Y	1	BASE, (W/O EQUALIZER, W/O C. DISC) (CPE)			
55-235B		ORNAMENT, STEREO-UPPER			
FC03-55-235	1	BASE, (W/O EQUALIZER, W/O C. DISC) (CPE)			
66-AC0		TUNER & DECK, COMB.			
FC03-66-AC0A	1	BASE, TURBO, (W/O C. DISC) (CPE)			
FC04-66-AC0	1	BASE-OPT-2, TURBO-OPT, (W/C. DISC) (CPE)			
FC04-66-AC0	1	(CONVERTIBLE)			
66-AF0		CONTROLLER, AE SYSTEM-DISC			
FC04-66-AF0	1	BASE-OPT-2, TURBO-OPT, (W/C. DISC) (CPE)			
FC66-66-AF0	1	(CONVERTIBLE)			
66-AT3		BRACKET(R), ANTENNA			
FB03-66-AT3	1	BASE, TURBO, (W/O C. DISC) (CPE)			
FC32-66-AT3	1	BASE-OPT-2, TURBO-OPT, (W/C. DISC) (CPE)			
FC32-66-AT3	1	(CONVERTIBLE)			
66-AT7		BRACKET(RR), AUDIO			
FC01-66-AT7	1	BASE, TURBO, (W/O C. DISC) (CPE)			
FC04-66-AT7	1	BASE-OPT-2, TURBO-OPT, (W/C. DISC) (CPE)			
FC04-66-AT7	1	(CONVERTIBLE)			



AUFA03

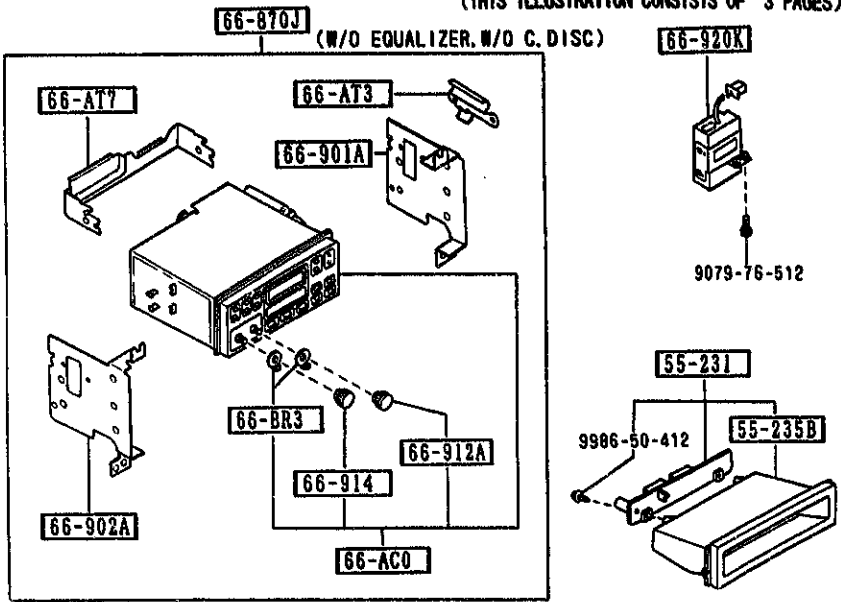
(CONT'D)

PART NO.	QTY	MODEL/RESTRICTION	MODEL/RESTRICTION	MODEL/RESTRICTION	FROM-TO
66-BC1A					
LA05-66-BC3	1	KNOB, TONE-TUNER & DECK BASE-OPT-2, TURBO-OP T, (W/C. DISC) (CPE)			
LA05-66-BC3	1	(CONVERTIBLE)			
66-BC3					
LA05-66-BC2	2	KNOB, BALANCE-TUNER & DECK BASE-OPT-2, TURBO-OP T, (W/C. DISC) (CPE)			
LA05-66-BC2	2	(CONVERTIBLE)			
66-BL1					
F055-66-BL1	1	KNOB, VOL.-REMOTE CON TROL (CONVERTIBLE)			
66-BL2A					
F055-66-BL2	1	KNOB, SURROUND-REMOTE CONT (CONVERTIBLE)			
66-BR3					
FC01-66-BR3	2	KNOB, BALANCE-TUNER BASE, TURBO, (W/O C. DISC) (CPE)			
66-870J					
FC02-66-9C0A	1	AUDIO SET BASE, (W/O EQUALIZER, W/O C .DISC) (CPE)			
FC03-66-9W0A	1	TURBO, (W/EQUALIZER, W/O C. D ISC) (CPE)			
FC04-66-9W0	1	OPT-2, (W/AE SYSTEM EQUALIZ ER, W/C. DISC) (CPE)			
FC66-66-9W0	1	(CONVERTIBLE)			
66-9L0					
F055-66-9L0A	1	CONTROL, REMOTE-AUDIO (CONVERTIBLE)			
66-901A					
FC01-66-AT1	1	BRACKET(R), TUNER BASE, TURBO, (W/O C. DISC) (CPE)			

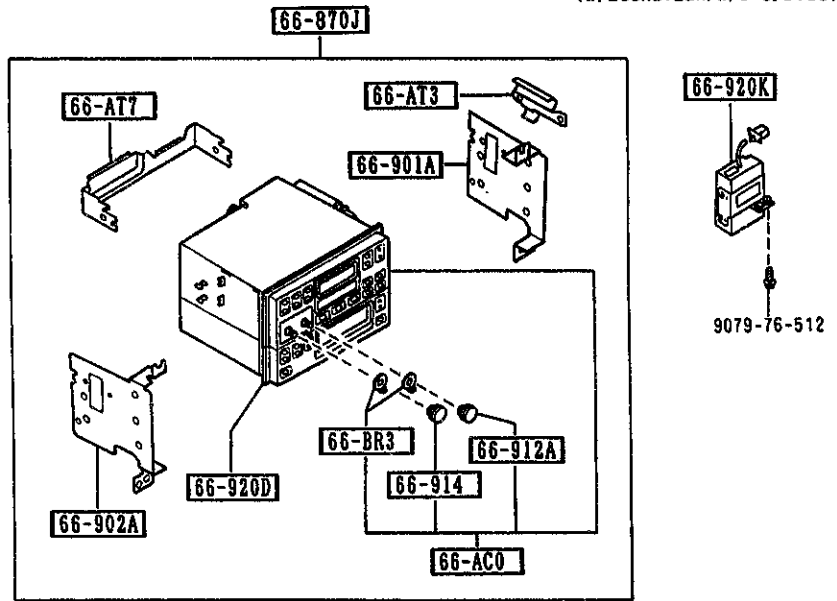
CAT. AUFA03-07

1993-12

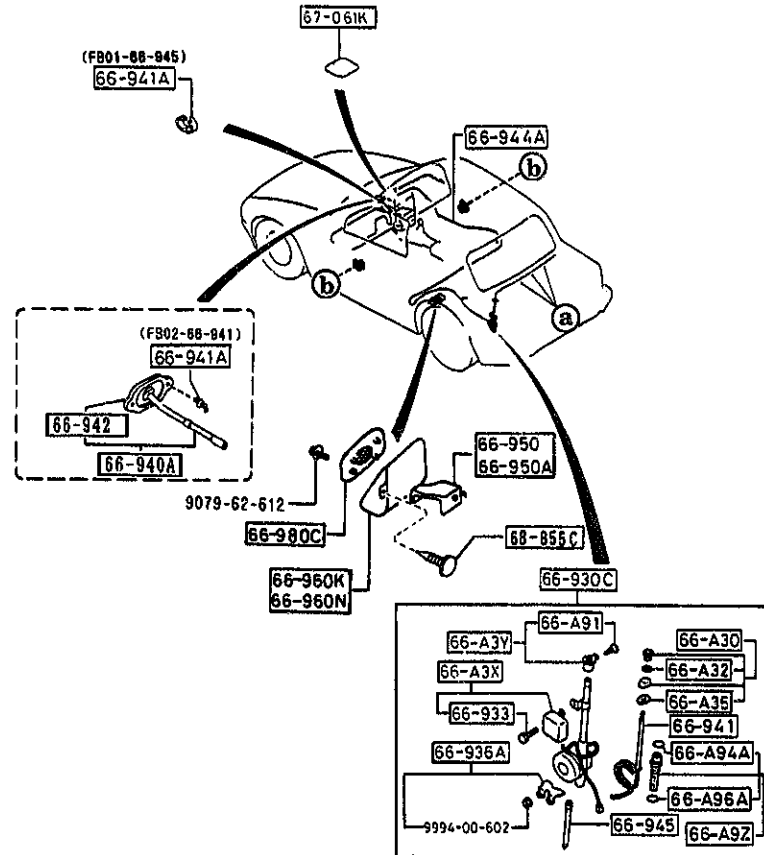
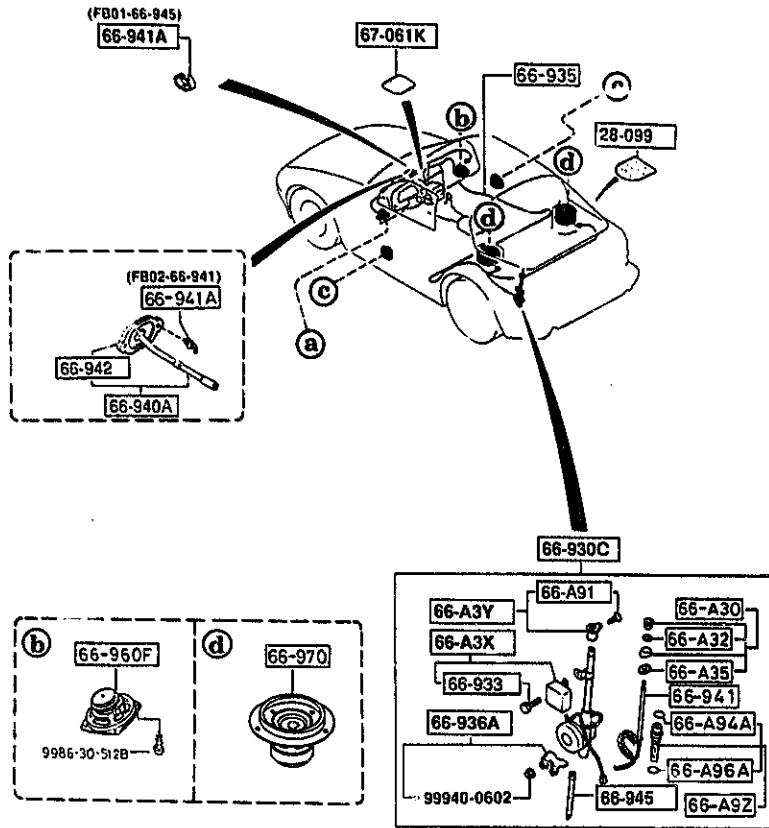
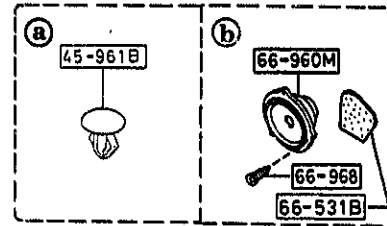
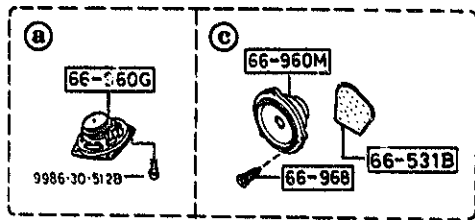
(THIS ILLUSTRATION CONSISTS OF 3 PAGES)



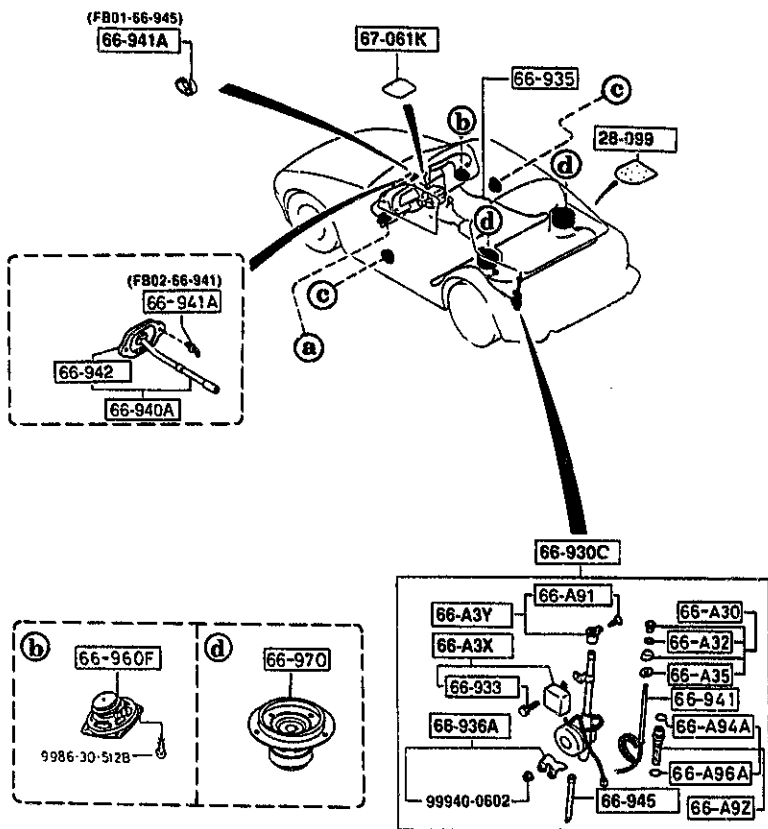
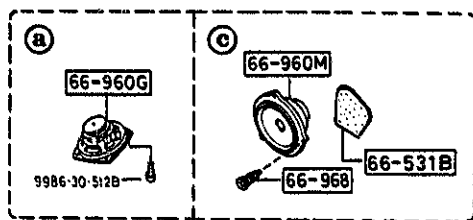
(W/EQUALIZER, W/O C. DISC)



PART NO.	QTY	MODEL/RESTRICTION	MODEL/RESTRICTION	MODEL/RESTRICTION	FROM-TO
CONT'D					
FC32-66-AT1	1	BASE-OPT-2, TURBO-OP T (W/C.DISC) (CPE)			
FC32-66-AT1	1	(CONVERTIBLE)			
66-902A		BRACKET(L), TUNER			
FC01-66-AT2	1	BASE, TURBO, (W/O C.DISC) (CPE)			
FC32-66-AT2	1	BASE-OPT-2, TURBO-OP T (W/C.DISC) (CPE)			
FC32-66-AT2	1	(CONVERTIBLE)			
66-912A		KNOB, TONE-TUNER			
FC01-66-BR2	1	BASE, TURBO, (W/O C.DISC) (CPE)			
66-914		KNOB, VOLUME-TUNER			
FC04-66-BC1	1	BASE-OPT-2, TURBO-OP T (W/C.DISC) (CPE)			
FC04-66-BC1	1	(CONVERTIBLE)			
FC01-66-BR1	1	BASE, TURBO, (W/O C.DISC) (CPE)			
66-920D		EQUALIZER, GRAPHIC			
FC03-66-AE0	1	BASE, TURBO, (W/O C.DISC) (CPE)			
66-920K		AMP, WOOFER-AUDIO			
FC02-66-920A	1	BASE, TURBO, (W/O C.DISC) (CPE)			
FC04-66-920	1	BASE-OPT-2, TURBO-OP T (W/C.DISC) (CPE)			
FC66-66-920	1	(CONVERTIBLE)			
66-920L		AMP, PILLOW-AUDIO			
FC32-66-920	1	(CONVERTIBLE)			



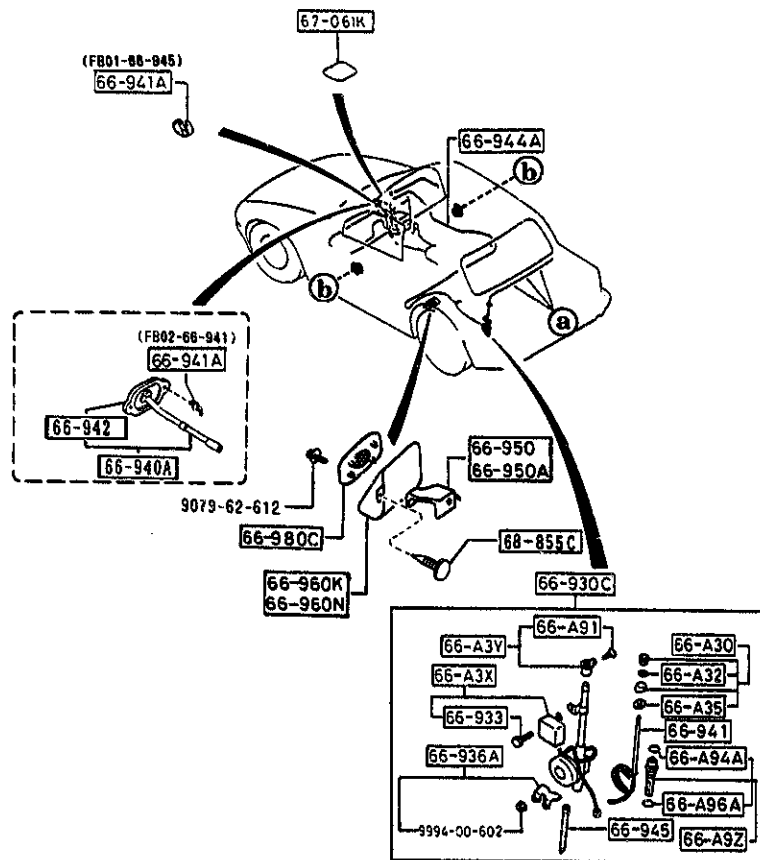
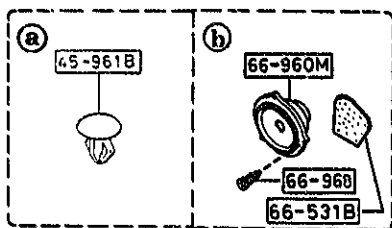
6682 AUDIO SYSTEMS (ANTENNA & SPEAKER) (1/2)
 (CPE) (THIS ILLUSTRATION CONSISTS OF 2 PAGES)



PART NO.	QTY	MODEL/RESTRICTION	MODEL/RESTRICTION	MODEL/RESTRICTION	FROM-TO
28-099		PAD, REAR SUSPENSION			
FB01-28-099	2	(CPE)			
45-961B		CAP			
H002-45-961	3	(CONVERTIBLE)			
66-A3X		RELAY, MOTOR-ANTENNA			
HE02-66-A3X	1				
66-A3Y		PLATE, EARTH-MOTOR AN TENNA			
FB01-66-A3Y	1	(CPE)			
FB67-66-A3Y	1	(CONVERTIBLE)			
66-A30		NUT, MOUNTING-ANTENNA			
FB01-66-A30	1	(CPE)			
FB67-66-A30	1	(CONVERTIBLE)			
66-A32		RING, 'O'-MOUNTING AN TENNA			
FB01-66-A32	1				
66-A35		PAD, MOUNTING-ANTENNA			
FB01-66-A35	1	(CPE)			
FB67-66-A35	1	(CONVERTIBLE)			
66-A9Z		INSULATOR, ROD-ANTENNA			
HE02-66-A9Z	1				
66-A91		SCREW, EARTH PLATE-AN TENNA			
FB01-66-A91	1				
66-A94A		RING, 'O'-ANTENNA			
HE02-66-A94	1				
66-A96A		RING, 'O'-ANTENNA			
HE02-66-A96	1				
66-531B		PAD			
FC01-66-9B6	2				
66-930C		ANTENNA, MOTOR-RADIO			

(CONVERTIBLE)

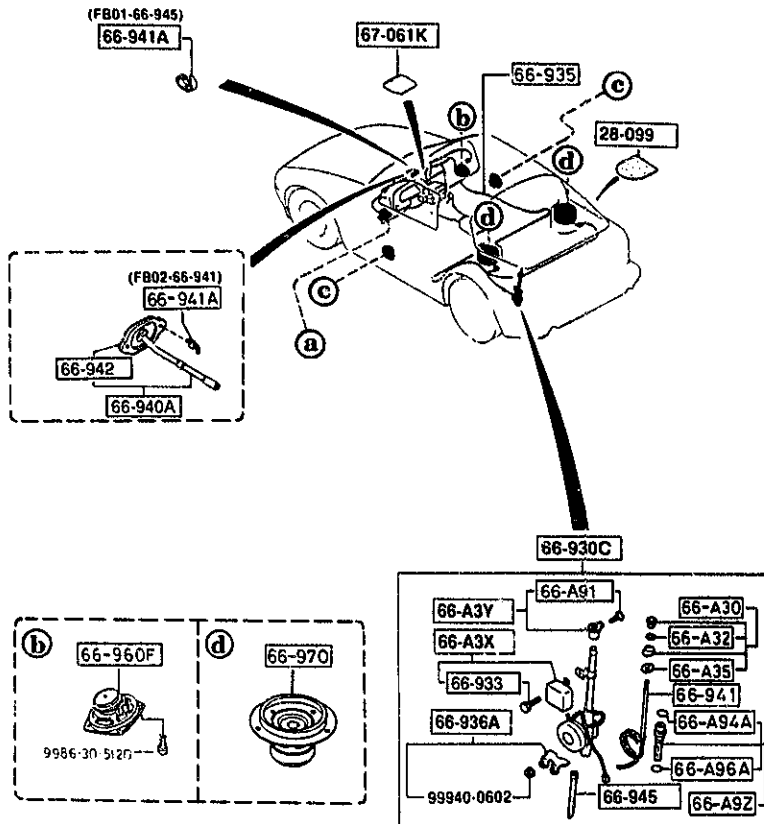
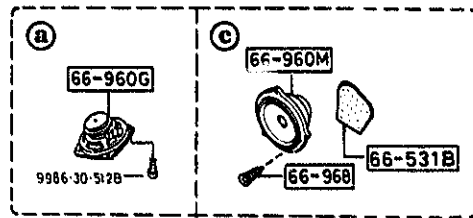
(THIS ILLUSTRATION CONSISTS OF 2 PAGES)



PART NO.	QTY	MODEL/RESTRICTION	MODEL/RESTRICTION	MODEL/RESTRICTION	FROM-TO
CONT'D					
FB01-66-930B	1	(CPE)			
FB67-66-930	1	(CONVERTIBLE)			
66-933		SCREW, ANTENNA			
FB01-66-A92	1				
66-935		FEEDER-ANTENNA			
FC01-66-940B	1	(CPE)			
66-936A		BRKT, MOTOR-ANTENNA			
FB01-66-A9X	1				
66-940A		FEEDER & COVER			
FB02-66-940B	1				
66-941		POLE, ANTENNA			
FB01-66-A90	1				
66-941A		CLIP			
FB02-66-941	2				
FB01-66-945	1				
66-942		COVER, SOUND PROOF			
MFB02-66-942A	1				
66-944A		FEEDER, ANTENNA			
FB68-66-940B	1	(CONVERTIBLE)			
66-945		PIPE			
FB01-66-A9Y	1				
66-950		BRACKET(R), SPEAKER			
FC66-66-98X	1	(CONVERTIBLE)			
66-950A		BRACKET(L), SPEAKER			
FC67-66-98X	1	(CONVERTIBLE)			
66-960F		SPEAKER(R), LOUD-FRT			
FC02-66-960A	1	BASE, TURBO, (W/D C.DISC) (CPE)			

(CPE)

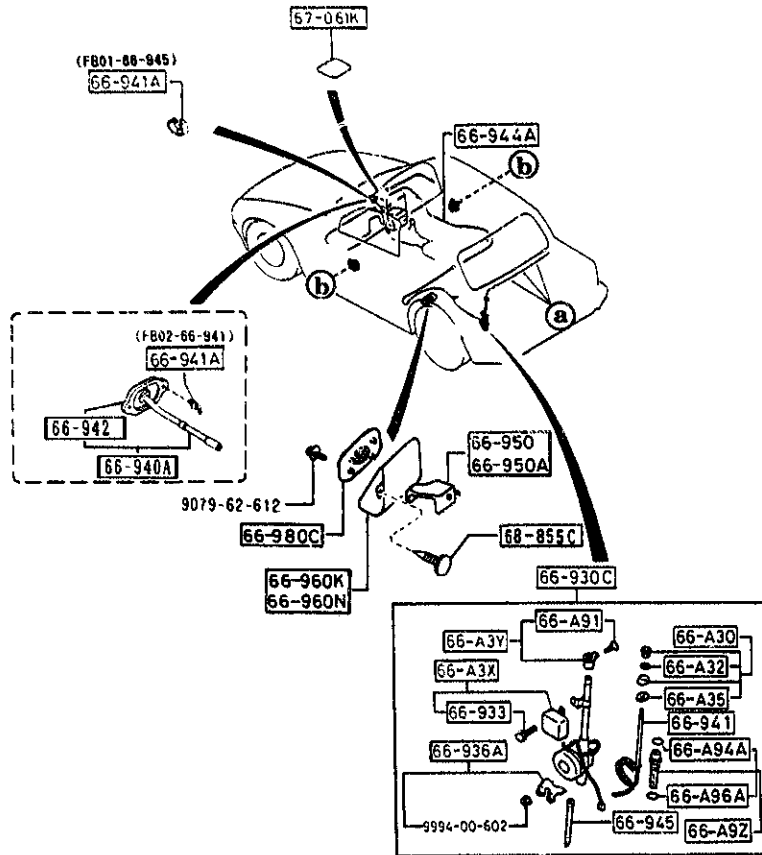
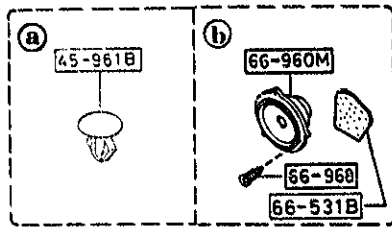
(THIS ILLUSTRATION CONSISTS OF 2 PAGES)



PART NO.	QTY	MODEL/RESTRICTION	MODEL/RESTRICTION	MODEL/RESTRICTION	FROM-TO
CONT'D					
FC03-66-960A	1	BASE-OPT-2, TURBO-OP T, (W/C.DISC) (CPE)			
		66-960G	SPEAKER(L), LOUD-FRONT		
FC01-66-960	1	BASE, TURBO, (W/O C.DISC) (CPE)			
FC04-66-960	1	BASE-OPT-2, TURBO-OP T, (W/C.DISC) (CPE)			
		66-960K	SPEAKER(R), LOUD-RR		
FC66-66-960A	1	(CONVERTIBLE)			
		66-960M	SPEAKER, DOOR		
FC07-66-960	2	BASE, (W/O EQUALIZER, W/O C .DISC) (CPE)			
FC08-66-960	2	OPT-2, (W/AE SYSTEM EQUALIZ ER, W/C.DISC) (CPE)			
FC12-66-960	2	TURBO, (W/EQUALIZER, W/O C.D ISC) (CPE)			
FC33-66-960	2	(CONVERTIBLE)			
		66-960N	SPEAKER(L), REAR		
FC67-66-960A	1	(CONVERTIBLE)			
		66-968	SCREW, LOUD SPEAKER-D OOR		
FC02-66-968	6	TURBO, BASE-OPT-2, T URBO-OPT, (W/EQUALIZER) (W/AE SYSTEM EQUALIZ ER) (CPE)			
FC02-66-968	6	(CONVERTIBLE)			
		66-970	SPEAKER, LOUD-REAR		
FC09-66-960	2	BASE, TURBO, (W/O C.DISC) (CPE)			
FC10-66-960	2	BASE-OPT-2, TURBO-OP T,			

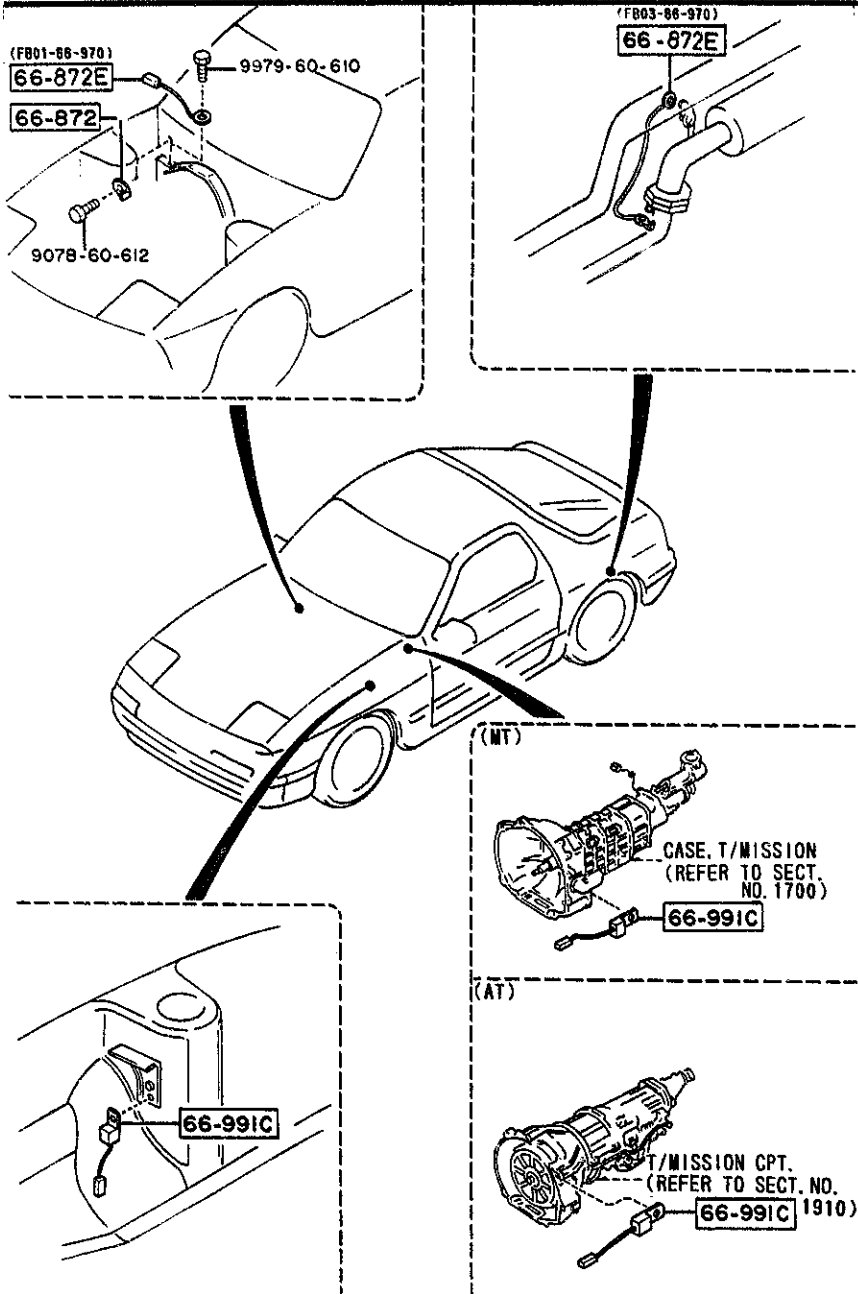
(CONVERTIBLE)

(THIS ILLUSTRATION CONSISTS OF 2 PAGES)



PART NO.	QTY	MODEL/RESTRICTION	MODEL/RESTRICTION	MODEL/RESTRICTION	FROM-TO
CONT'D		(W/C DISC) (CPE)			
66-980C		GRILLE, SPEAKER			
FC66-66-980A	2	(CONVERTIBLE)			
02	INT-	FD8 BLACK			
48	INT-	FD9 BLUE			
67-061K		PAD, PROTECTOR			
G001-67-061	1				
68-855C		FASTENER			
G043-68-865B	2	(CONVERTIBLE)			
00	INT-	FE1 FE0 FD8 FD9 BLACK			

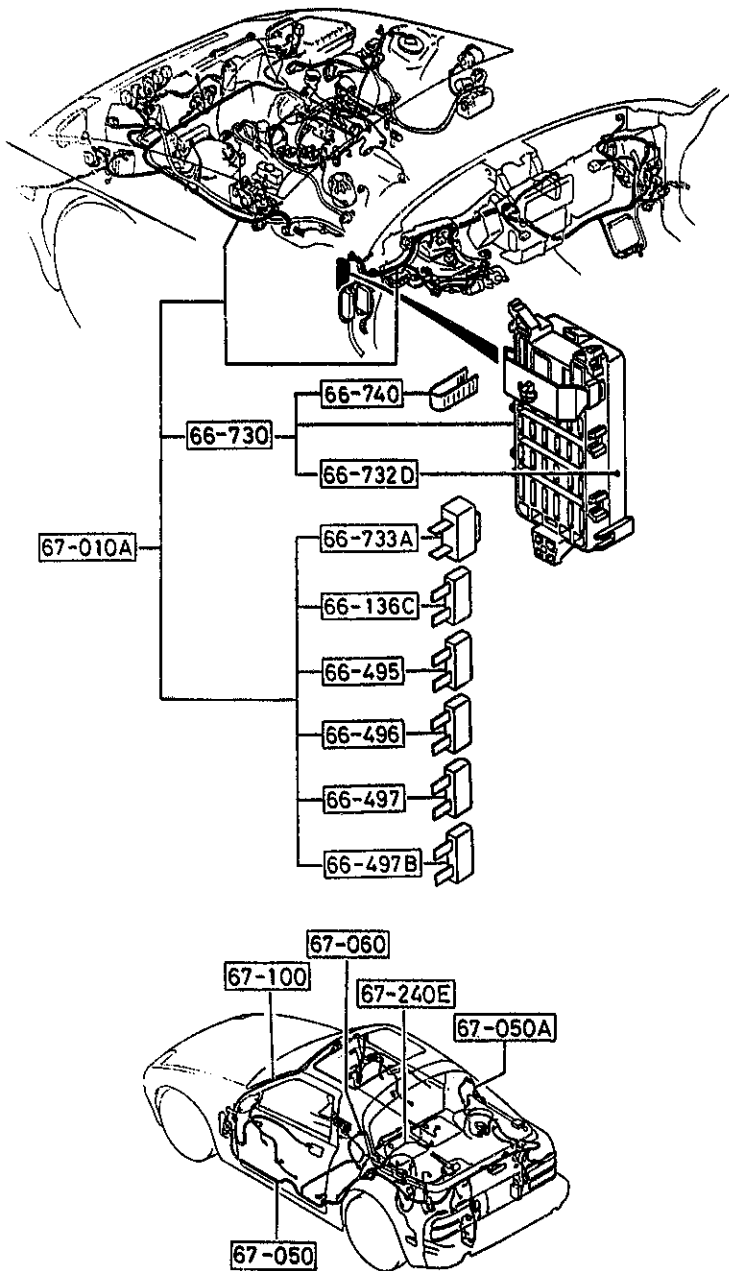
6684 AUDIO SYSTEMS(NOISE SUPPRESSOR & EARTH CORD)



PART NO.	QTY	MODEL/RESTRICTION	MODEL/RESTRICTION	MODEL/RESTRICTION	FROM-TO
66-872		TAB, EARTH			
FB01-66-994A	1				
66-872E		CORD, EARTH			
FB01-66-970	1	T/M CASE - DASH.			
FB03-66-970	1	EX. PIPE - BODY			
66-991C		CONDENSER			
FB01-66-991B	2				

6700 WIRING HARNESSES(FRONT & REAR)
(COUPE)

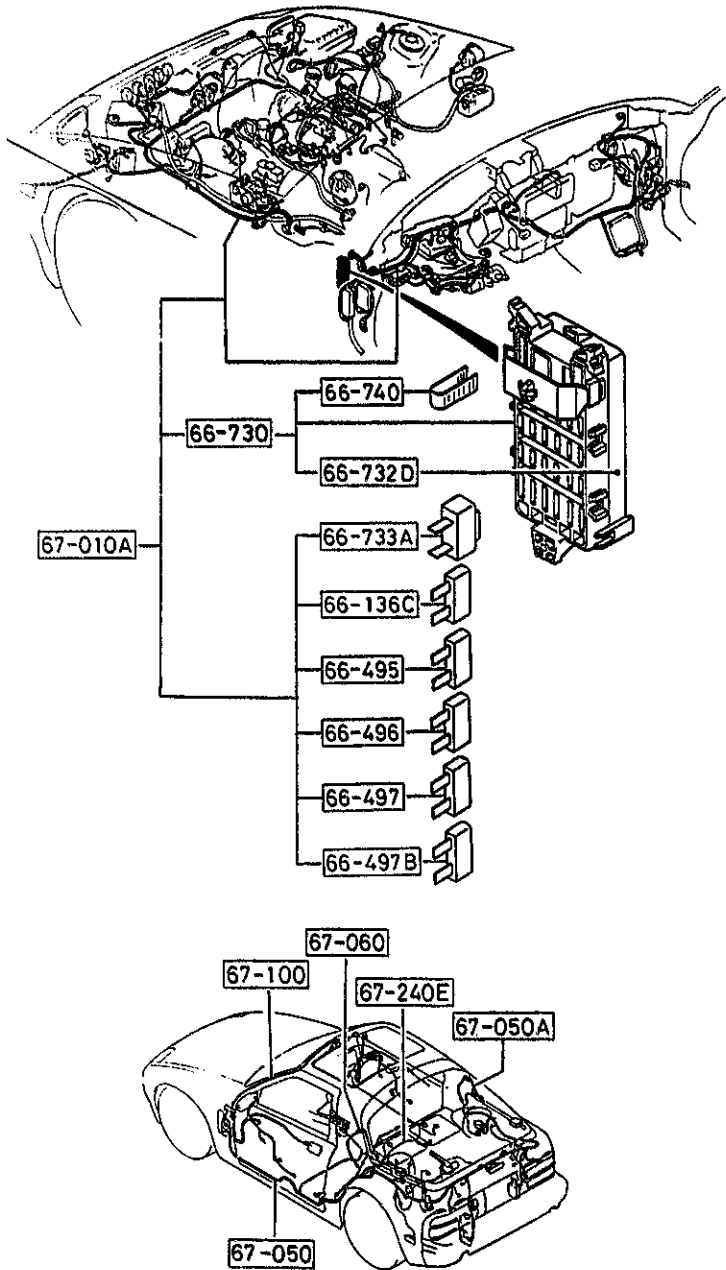
6700 -1 WIRING HARNESSES(FRONT & REAR)
(COUPE)



PART NO.	QTY	MODEL/RESTRICTION	MODEL/RESTRICTION	MODEL/RESTRICTION	FROM-TO
66-136C		FUSE(7.5A)			
99705-1107	1				
66-495		FUSE(10A)			
99705-1110	7	(W/RR WIPER)			
66-496		FUSE(15A)			
99705-1115	7	((W/O TURBO)>(MT))			
99705-1115	9	((W/O TURBO)>(AT)) (TURBO)			
66-497		FUSE(20A)			
99705-1120	3				
66-497B		FUSE(30A)			
99705-1130	2	(W/RR WIPER)			
66-730		BLOCK, FUSE			
FC01-66-730	1				
66-732D		COVER, FUSE BLOCK			
FC01-66-731	1	FURUKAWA			
66-733A		BREAKER			
H001-66-733	2				
66-740		HOLDER, FUSE			
H001-66-739	1				
67-010A		HARNESS, FRONT			
FC04-67-010G	1	BASE-OPT, (W/POWER WIND.) (W/O TURBO)>(MT))			
FC09-67-010G	1	BASE-OPT, (W/POWER WIND.) (W/O TURBO)>(AT))			
FC18-67-010F	1	(TURBO)			
67-050		HARNESS, REAR			
FC04-67-050F	1	(W/O TURBO)			
FC18-67-050F	1	(TURBO)			

6700 WIRING HARNESSSES(FRONT & REAR)
(COUPE)

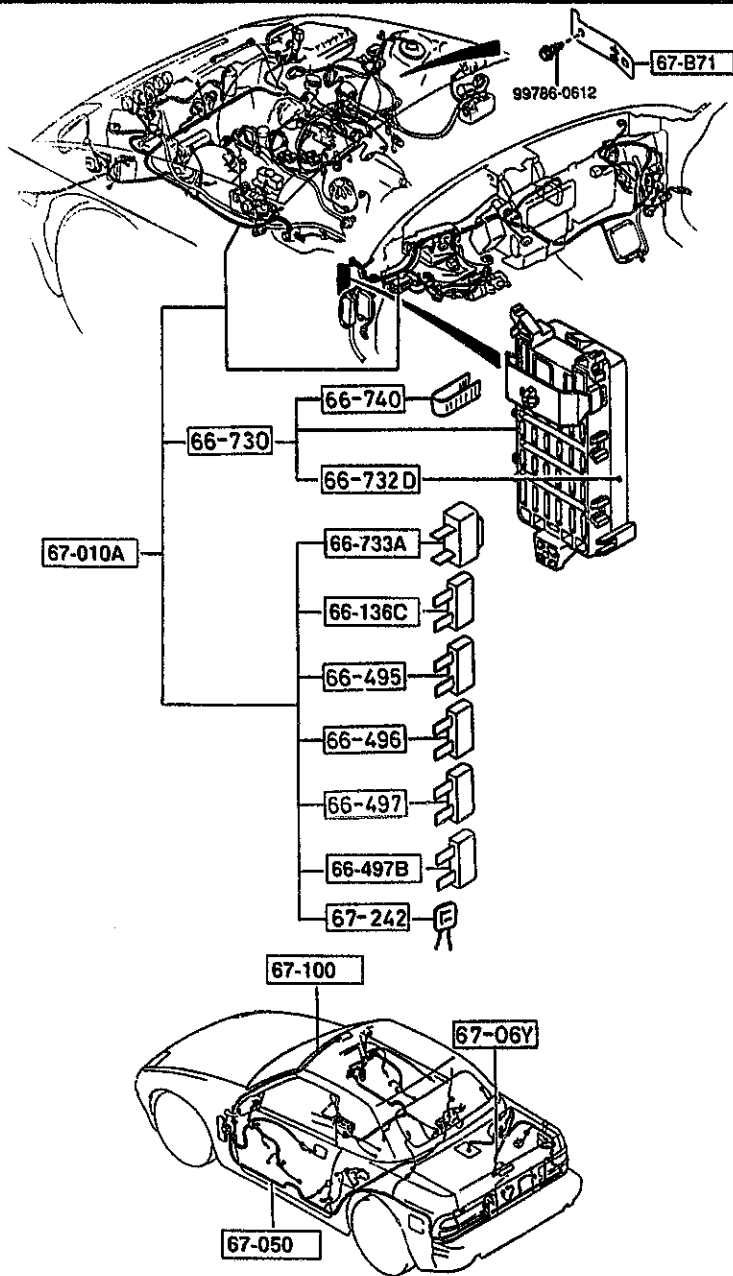
6700 -2 * WIRING HARNESSSES(FRONT & REAR)
(COUPE)



PART NO.	QTY	MODEL/RESTRICTION	MODEL/RESTRICTION	MODEL/RESTRICTION	FROM-TO
67-050A FB02-67-060B	1	HARNESS NO.1,REAR			
67-060 FB01-67-060B	1	HARNESS NO.2,REAR			
67-100 FC01-67-100C FC03-67-100C	1 1	HARNESS, INT. LAMP (W/O SUN-RF) (SUNROOF)			
67-240E FB01-67-240A	1	WIRING, STORAGE			

6700 A WIRING HARNESSSES(FRONT & REAR)
(CONVERTIBLE)

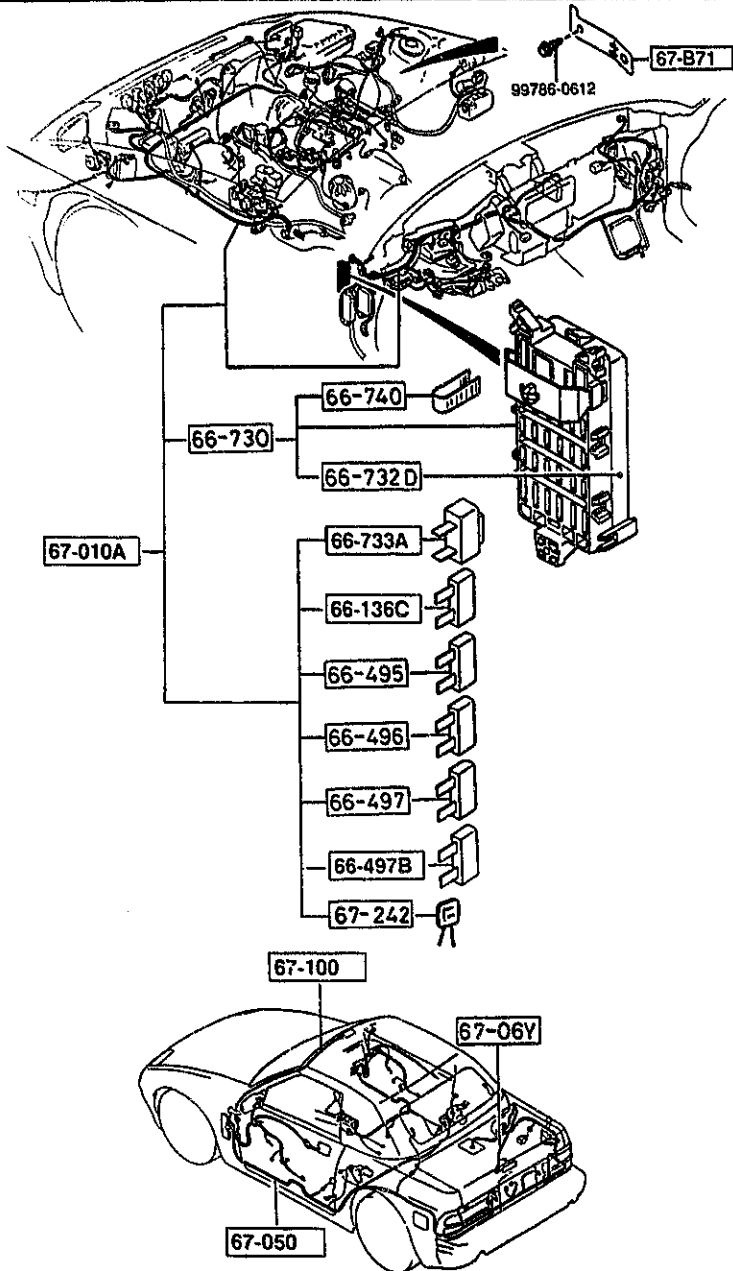
6700 A-1 WIRING HARNESSSES(FRONT & REAR)
(CONVERTIBLE)



PART NO.	QTY	MODEL/RESTRICTION	MODEL/RESTRICTION	MODEL/RESTRICTION	FROM-TO
66-136C		FUSE(7.5A)			
99705-1107	1				
66-495		FUSE(10A)			
99705-1110	6				
66-496		FUSE(15A)			
99705-1115	7	(MT)			
99705-1115	8	(AT)			
66-497		FUSE(20A)			
99705-1120	3				
66-497B		FUSE(30A)			
99705-1130	2				
66-730		BLOCK, FUSE			
FC66-66-730A	1				
66-732D		COVER, FUSE BLOCK			
FC66-66-731	1				
66-733A		BREAKER			
H001-66-733	2				
66-740		HOLDER, FUSE			
H001-66-739	1				
67-B71		BRACKET, HARNESS			
*FC66-67-BW1A	1				
67-010A		HARNESS, FRONT			
FC66-67-010E	1	(MT)			
FC67-67-010E	1	(AT)			
67-050		HARNESS, REAR			
FC66-67-050B	1				
67-06Y		HARNESS NO. 3, REAR			
F055-67-06YB	1				

6700 A WIRING HARNESSSES(FRONT & REAR)
(CONVERTIBLE)

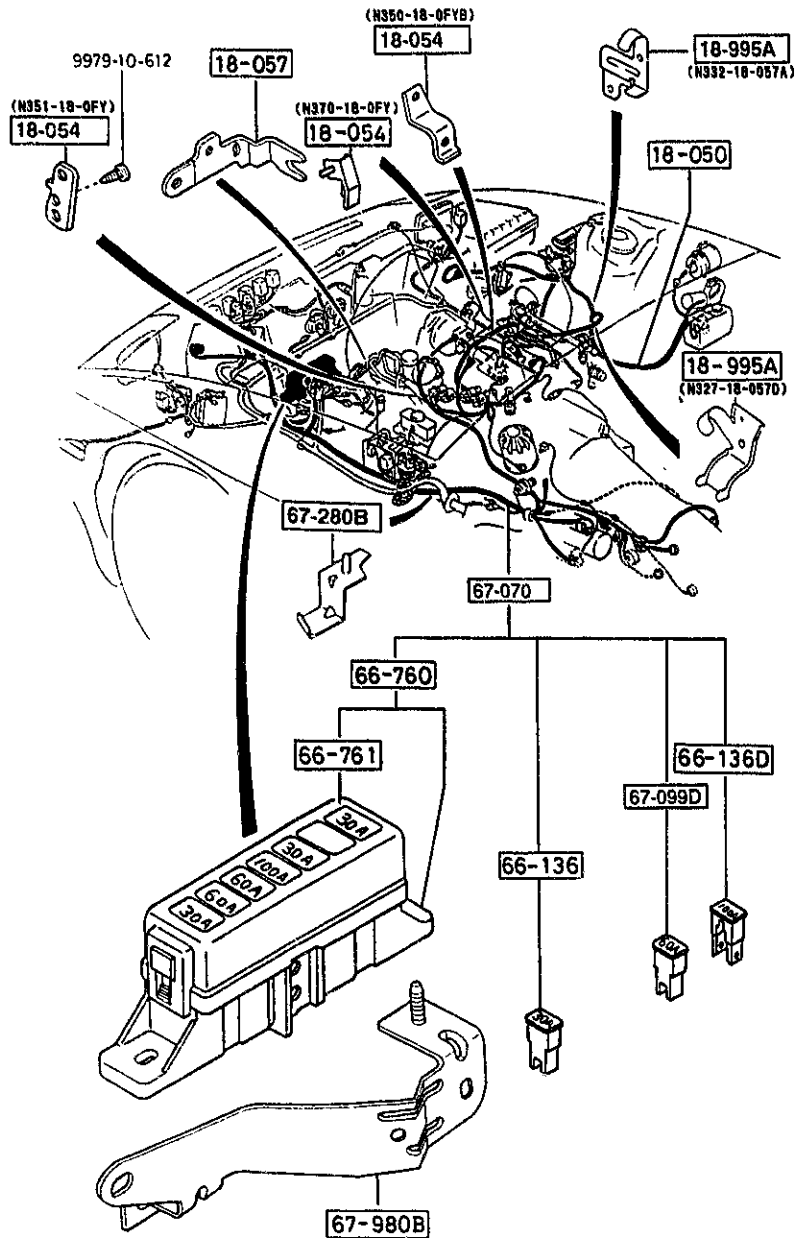
6700 A-2 * WIRING HARNESSSES(FRONT & REAR)
(CONVERTIBLE)



PART NO.	QTY	MODEL/RESTRICTION	MODEL/RESTRICTION	MODEL/RESTRICTION	FROM-TO
67-100		HARNESS, INT. LAMP			
FC33-67-100	1				
67-242		RECTIFIER			
8871-67-242	1				

6701 WIRING HARNESSSES(ENGINE & T/MISSION)
(COUPE)

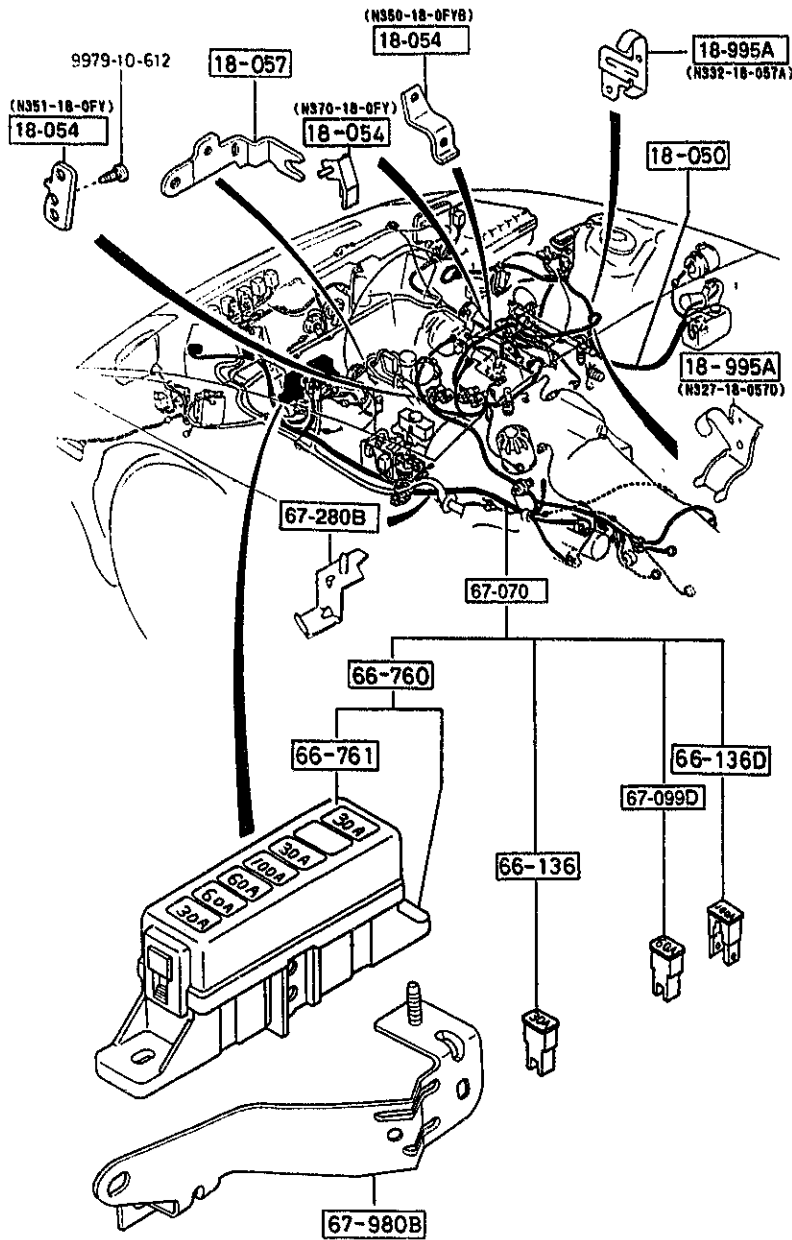
6701 -1 WIRING HARNESSSES(ENGINE & T/MISSION)
(COUPE)



PART NO.	QTY	MODEL/RESTRICTION	MODEL/RESTRICTION	MODEL/RESTRICTION	FROM-TO
18-050		WIRING, ENGINE			
N350-18-052D	1	(W/O TURBO)			
N370-18-052D	1	(TURBO)			
18-054		BRACKET, HOLE-ENG. WIRING			
N350-18-0FYB	1	(W/O TURBO)			
N351-18-0FY	1	(W/O TURBO)			
N370-18-0FY	1	(TURBO)			
18-057		BRACKET, CLIP-ENG. WIRING			
N350-18-057	1				
18-995A		BRACKET, CLIP			
N327-18-057D	1				
N332-18-057A	1	(W/RR WIPER)			
66-136		FUSE(30A)			
H115-67-099	3				
66-136D		FUSE(100A)			
FC01-67-099	1				
66-760		BLOCK, MAIN FUSE			
FC01-66-760	1				
66-761		COVER, MAIN FUSE BLOCK			
FC01-66-762	1				
67-070		HARNESS, ENGINE			
FC01-67-070F	1	((W/O TURBO)>(MT))			
FC07-67-070F	1	((W/O TURBO)>(AT))			
FC17-67-070G	1	(TURBO)			
67-099D		FUSE(60A)			
*FB01-67-099	1	60A ((W/O TURBO)>(MT))			
*FB01-67-099	2	60A (TURBO) ((W/O TURBO)>(AT))			

6701 WIRING HARNESSSES(ENGINE & T/MISSION)
(COUPE)

6701 -2 M WIRING HARNESSSES(ENGINE & T/MISSION)
(COUPE)



PART NO.	QTY	MODEL/RESTRICTION	MODEL/RESTRICTION	MODEL/RESTRICTION	FROM-TO
67-280B		BRACKET, BATT. CABLE			
FB01-67-280C	1				
67-980B		BRACKET, MAIN FUSE CASE			
FB01-67-980E	1				

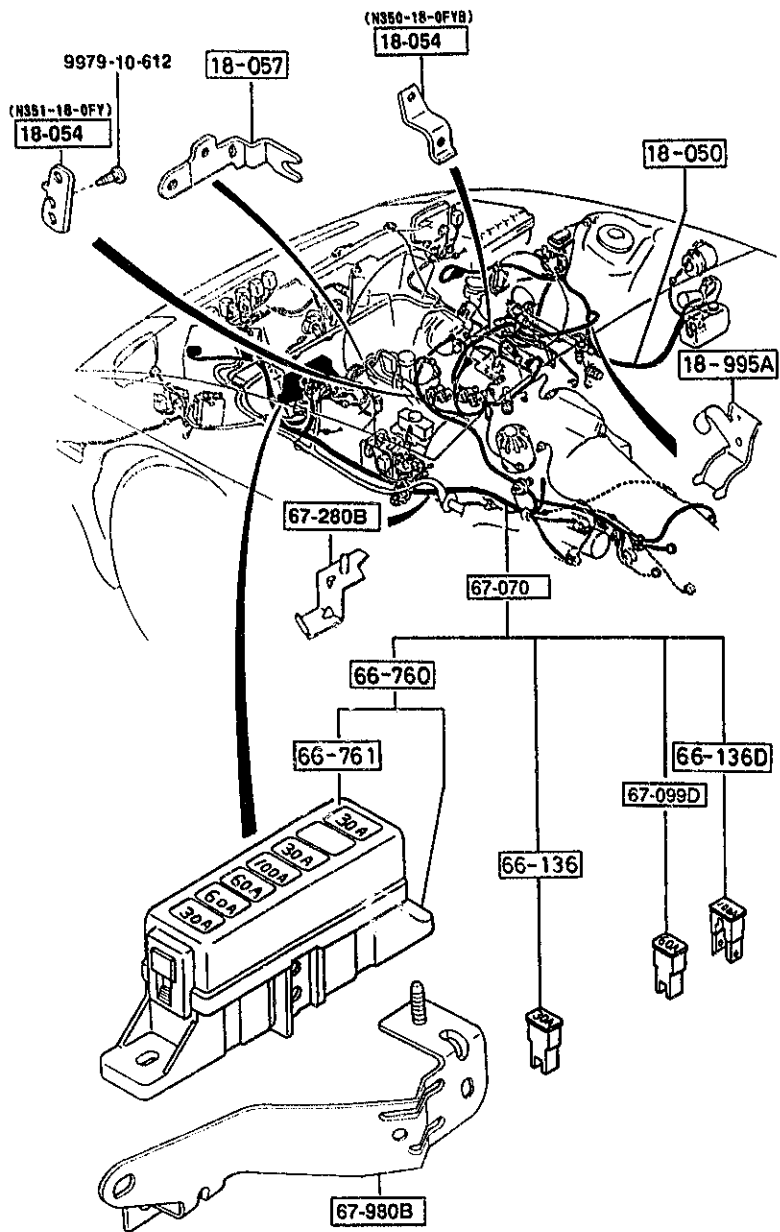
AUFA03

CAT. AUFA03-07

1993-12

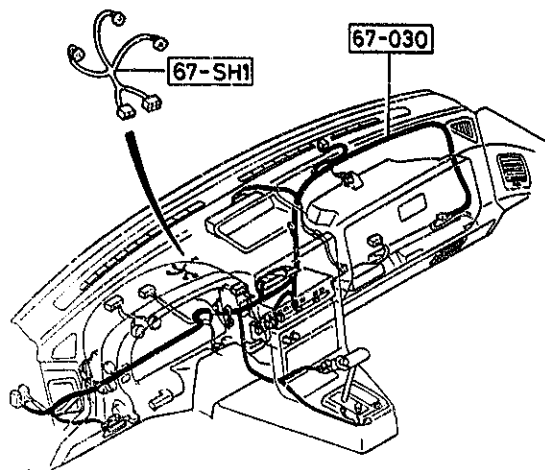
6701 A WIRING HARNESSSES(ENGINE & T/MISSION)
(CONVERTIBLE)

6701 A-1 * WIRING HARNESSSES(ENGINE & T/MISSION)
(CONVERTIBLE)



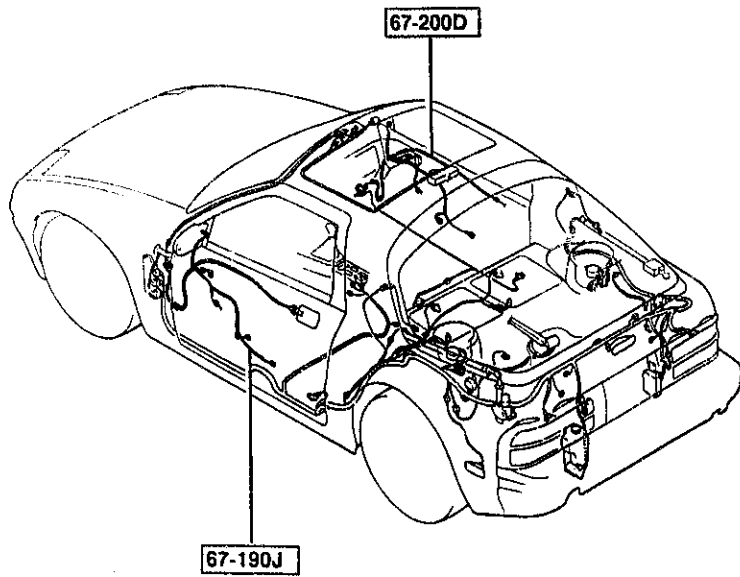
PART NO.	QTY	MODEL/RESTRICTION	MODEL/RESTRICTION	MODEL/RESTRICTION	FROM-10
18-050		WIRING, ENGINE			
N3B1-18-05Z	1	('92 MODEL)			
N3B7-18-052C	1	('91 MODEL)			
18-054		BRACKET, HOLE-ENG. WIRING			
N350-18-0FYB	1				
N351-18-0FY	1				
18-057		BRACKET, CLIP-ENG. WIRING			
N350-18-057	1				
18-995A		BRACKET, CLIP			
N327-18-057D	1				
66-136		FUSE(30A)			
H115-67-099	4				
66-136D		FUSE(100A)			
FC01-67-099	1				
66-760		BLOCK, MAIN FUSE			
FC66-66-760A	1				
66-761		COVER, MAIN FUSE BLOCK			
FC66-66-762A	1				
67-070		HARNESS, ENGINE			
FC66-67-070B	1	(MT)			
FC67-67-070B	1	(AT)			
67-099D		FUSE(60A)			
*FB01-67-099	1	60A (MT)			
*FB01-67-099	2	60A (AT)			
67-280B		BRACKET, BATT. CABLE			
FB01-67-280C	1				
67-980B		BRACKET, MAIN FUSE CASE			
FB01-67-980E	1				

6702 WIRING HARNESSSES(DASHBOARD)



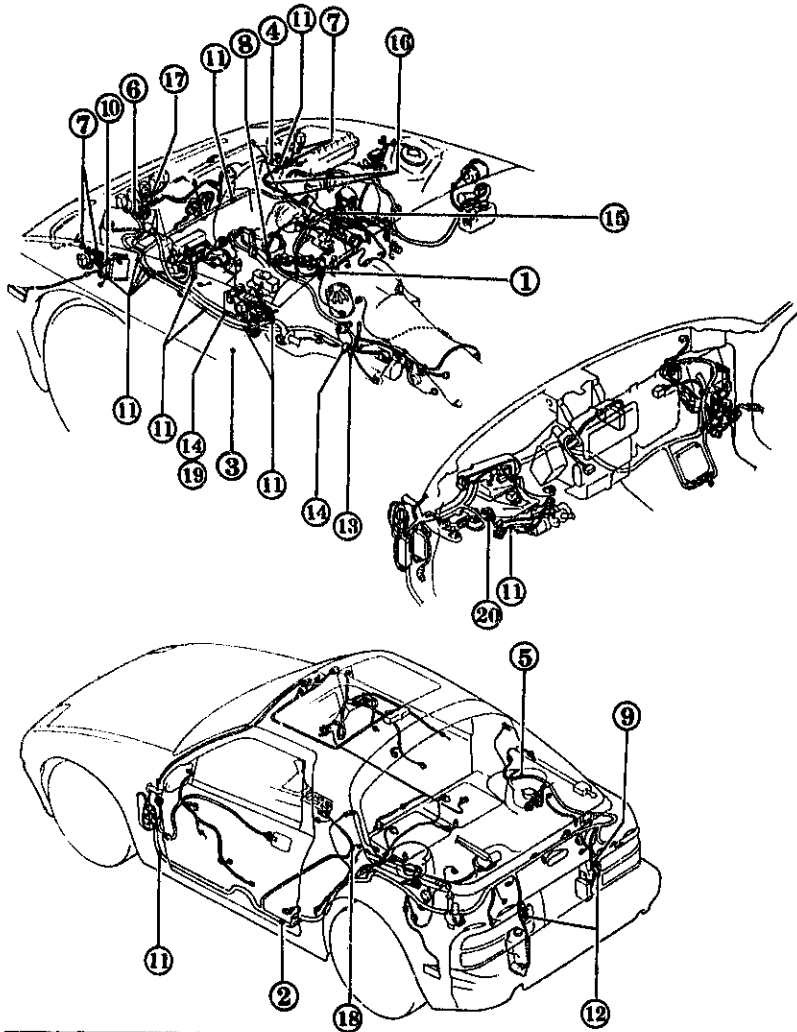
PART NO.	QTY	MODEL/RESTRICTION	MODEL/RESTRICTION	MODEL/RESTRICTION	FROM-TO
67-SH1		CORD, SHORT			
FC01-67-SH0D	1	(MT)			
FC07-67-SH0D	1	(AT)			
67-030		HARNESS, INSTRUMENT			
FC01-67-030D	1	((CPE)>(MT))			
FC07-67-030D	1	((CPE)>(AT))			
FC66-67-030B	1	((CONVERTIBLE)>(MT))			
FC67-67-030B	1	((CONVERTIBLE)>(AT))			

6703 WIRING HARNESSES(DOOR,FLOOR/CEILING)



PART NO.	QTY	MODEL/RESTRICTION	MODEL/RESTRICTION	MODEL/RESTRICTION	FROM-TO
67-190J		HARNESS, DOOR-DRIVER SIDE (CPE)			
FC04-67-190F	1				
FC33-67-190F	1	(CONVERTIBLE)			
67-200D		HARNESS, DOOR-PASSENGER SIDE (CPE)			
FC04-67-200F	1				
FC33-67-200F	1	(CONVERTIBLE)			

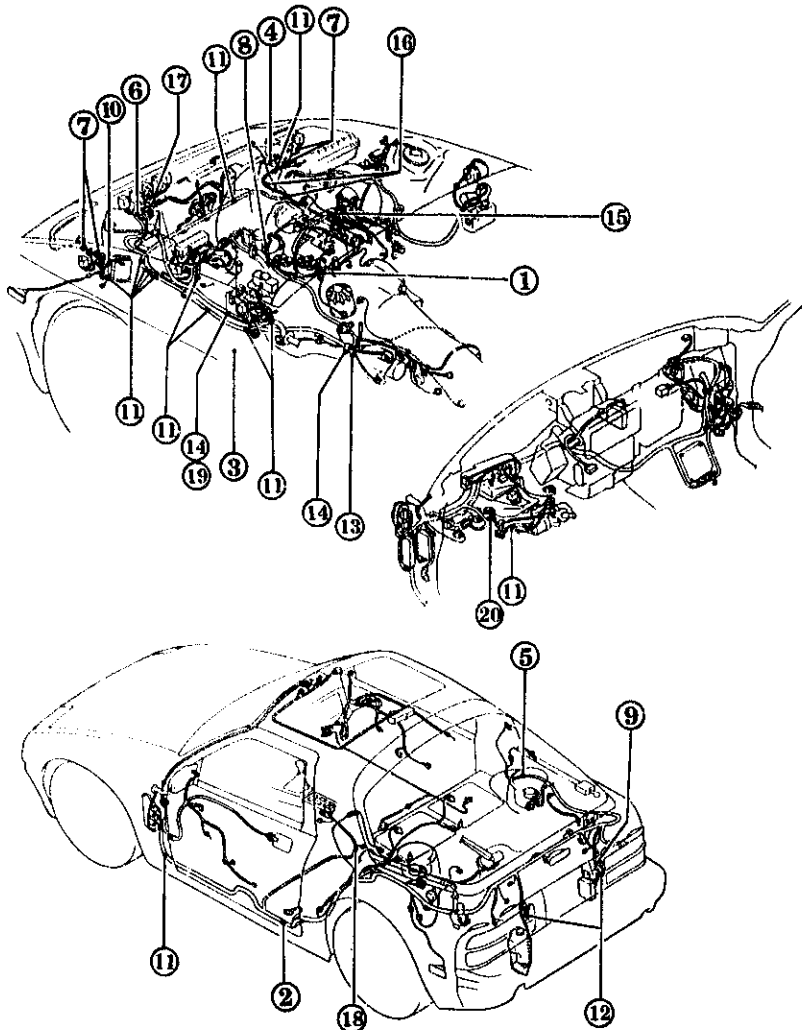
(THIS ILLUSTRATION CONSISTS OF 2 PAGES)



(THIS ILLUSTRATION CONSISTS OF 2 PAGES)

① 18-141E (N310-18-14Y)	① 18-141E (N350-18-14Y)	② 20-451 	③ 45-961B 	④ 66-941A
⑤ 66-941C 	⑥ 67-012A 	⑦ 67-014A 	⑧ 67-019 	⑨ 67-031B
⑩ 67-051E (UB42-67-051)	⑩ 67-051E (W020-67-051A)	⑫ 67-052J 	⑬ 67-072A (FC01-67-072A)	⑭ 67-073
⑮ 67-073B 	⑯ 67-254 (FC04-67-254)	⑰ 67-254 (S113-67-254A)	⑰ 67-293 	⑰ 67-072A (HF20-67-072)
⑳ 14-726 				

(THIS ILLUSTRATION CONSISTS OF 2 PAGES)

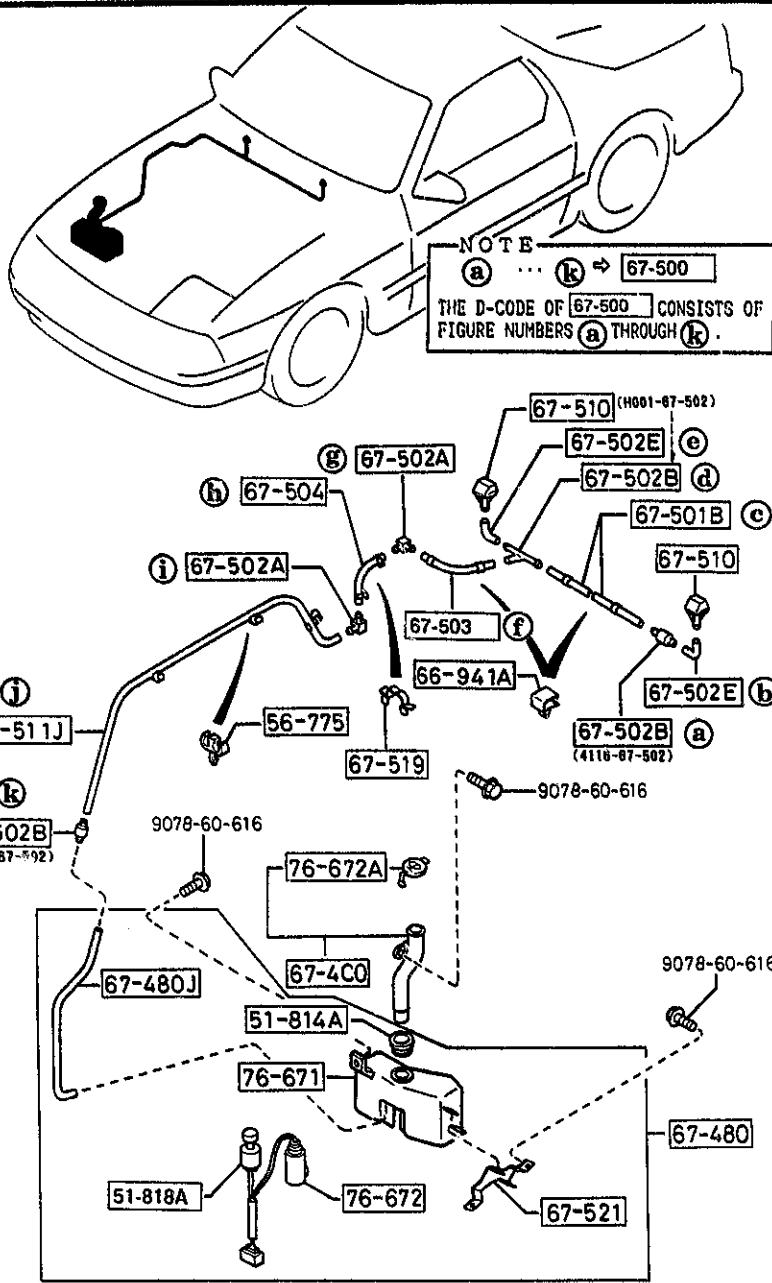


PART NO.	QTY	MODEL/RESTRICTION	MODEL/RESTRICTION	MODEL/RESTRICTION	FROM-10
14-726		BAND			
*N304-14-726	1	(CONVERTIBLE)			
18-141E		SUPPORTER, CORD			
N319-18-14Y	1	(TURBO)			
N350-18-14Y	1	(W/O TURBO)			
20-451		CLIP			
B612-20-468	1	(CONVERTIBLE)			
45-961B		CAP			
H002-45-961	1				
66-941A		CLIP			
B08-66-941	1				
66-941C		CLIP			
UB42-66-971	1	(CPE)			
67-012A		CLIP			
FB01-67-012	1				
67-014A		CLIP			
FB01-67-014	4				
67-019		CLIP			
FB02-67-019A	1	(W/O TURBO)			
67-051B		CLIP			
UB42-67-051	1	(CPE)			
67-051E		CLIP			
UB42-67-051	1	((CONVERTIBLE)) (W/O TURBO)			
W029-67-051A	10	(CPE)			
W029-67-051A	13	(CONVERTIBLE)			
67-052J		CLIP			
B001-67-051	2	(CPE)			

(THIS ILLUSTRATION CONSISTS OF 2 PAGES)

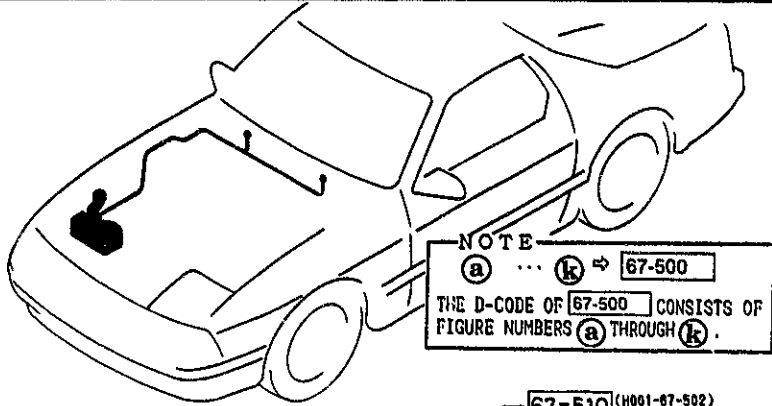
① 18-141E (N319-18-14Y)	① 18-141E (N350-18-14Y)	② 20-451 	③ 45-961B 	④ 66-941A
⑤ 66-941C 	⑥ 67-012A 	⑦ 67-014A 	⑧ 67-019 	⑨ 67-031B
⑩ 67-051E (UB42-67-051)	⑪ 67-051E (W029-67-051A)	⑫ 67-052J 	⑬ 67-072A (FC01-67-072A)	⑭ 67-073
⑮ 67-073B 	⑯ 67-254 (FC04-51-874)	⑰ 67-254 (S113-67-254A)	⑱ 67-293 	⑲ 67-072A (HE20-67-072)
⑳ 14-726 				

PART NO.	QTY	MODEL/RESTRICTION	MODEL/RESTRICTION	MODEL/RESTRICTION	FROM-TO
67-072A		CLIP			
FC01-67-072A	1				
HE20-67-072	1				
67-073		CLIP			
FB01-67-073A	2				
67-073B		CLIP			
H261-67-073	1	(W/O TURBO)			
67-254		CLIP, CABLE			
FC04-51-674	2				
S113-67-254A	1				
67-293		CLIP, CABLE			
S083-67-253	1				

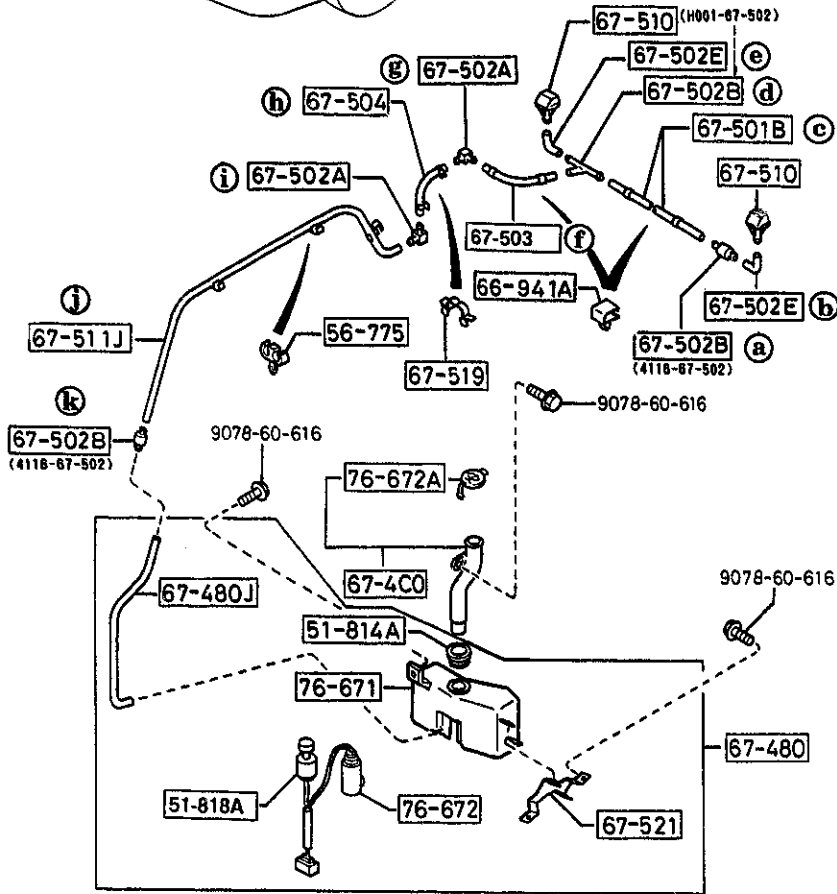


NOTE
 (a) ... (k) ⇒ 67-500
 THE D-CODE OF 67-500 CONSISTS OF
 FIGURE NUMBERS (a) THROUGH (k).

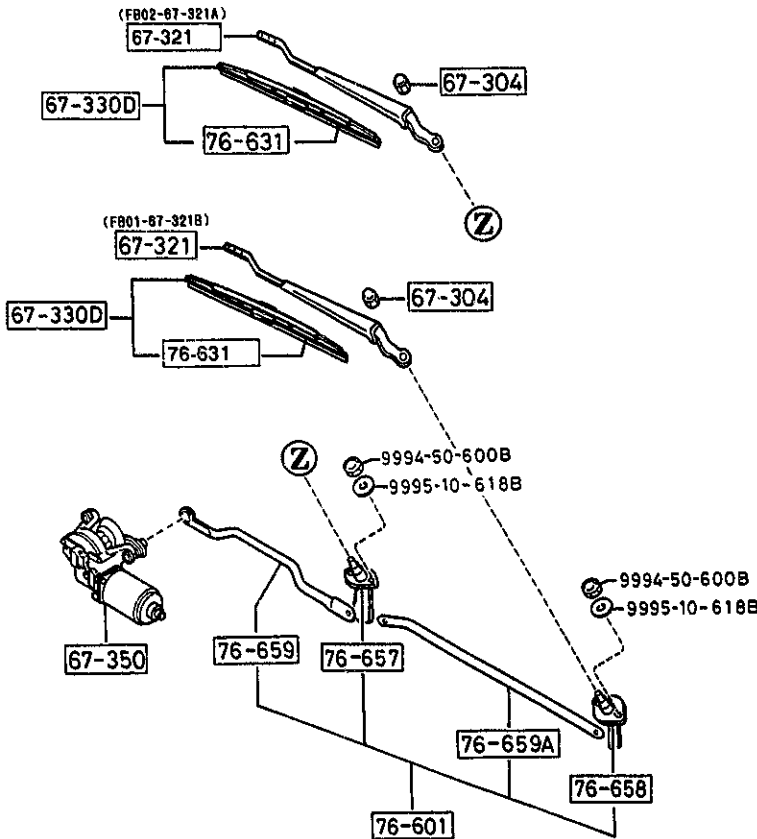
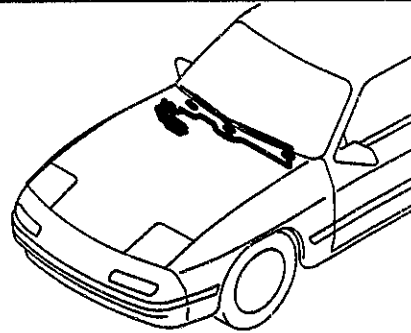
PART NO.	QTY	MODEL/RESTRICTION	MODEL/RESTRICTION	MODEL/RESTRICTION	FROM-TO
51-814A		GROMMET, WASHER TANK			
FB01-51-816	1				
51-818A		SWITCH, LEVEL-WASHER TANK			
FB01-67-488A	1				
56-775		CLIP, WIRE-BONNET			
H260-67-519A	3				
66-941A		CLIP			
GB08-66-941	6				
67-4C0		PIPE, FILLER-F. WASHER TANK			
FB01-67-4C0B	1				
67-480		TANK, WASHER-FRONT			
FB01-67-4T0D	1	('91 MODEL)			
FB01-67-4T0E	1	('92 MODEL)			
67-480J		PIPE, VINYL			
FB04-67-503A	1				
67-500		PIPE			
FB01-67-500C	1				
67-501B		HOSE 'A', WASHER			
FB01-67-501C	1				
67-502A		JOINT, HOSE			
H261-67-502	2				
67-502B		JOINT, HOSE			
H001-67-502	1				
4116-67-502	2				
67-502E		JOINT, ELBOW-W. TANK			
S084-67-502	2				
67-503		HOSE 'B', WASHER			
FB01-67-503B	1				



NOTE
 (a) ... (k) ⇨ 67-500
 THE D-CODE OF 67-500 CONSISTS OF
 FIGURE NUMBERS (a) THROUGH (k).

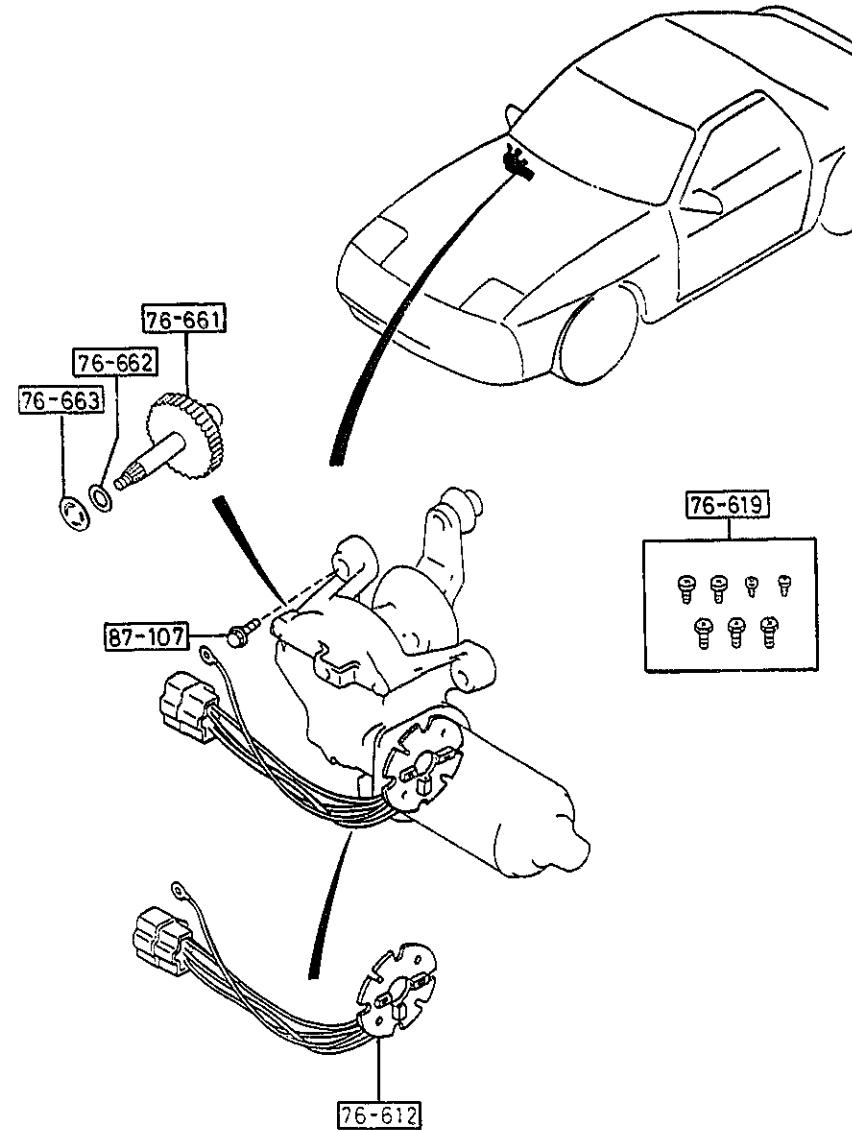


PART NO.	QTY	MODEL/RESTRICTION	MODEL/RESTRICTION	MODEL/RESTRICTION	FROM-TO
67-504		HOSE 'C', WASHER			
FB01-67-504A	1				
67-510		NOZZLE, WASHER-F. WIND			
FB01-67-510	2				
67-511J		PIPE, SCREEN WASHER			
FB02-67-503A	1				
67-519		CLIP, PIPE			
FB01-67-519A	3				
67-521		BRACKET, WASHER TANK			
FB04-67-485	1				
76-671		TANK, WASHER			
FB01-67-481	1				
76-672		PUMP, WASHER			
FB01-67-482B	1				
76-672A		CAP, TANK			
FB01-67-483	1				



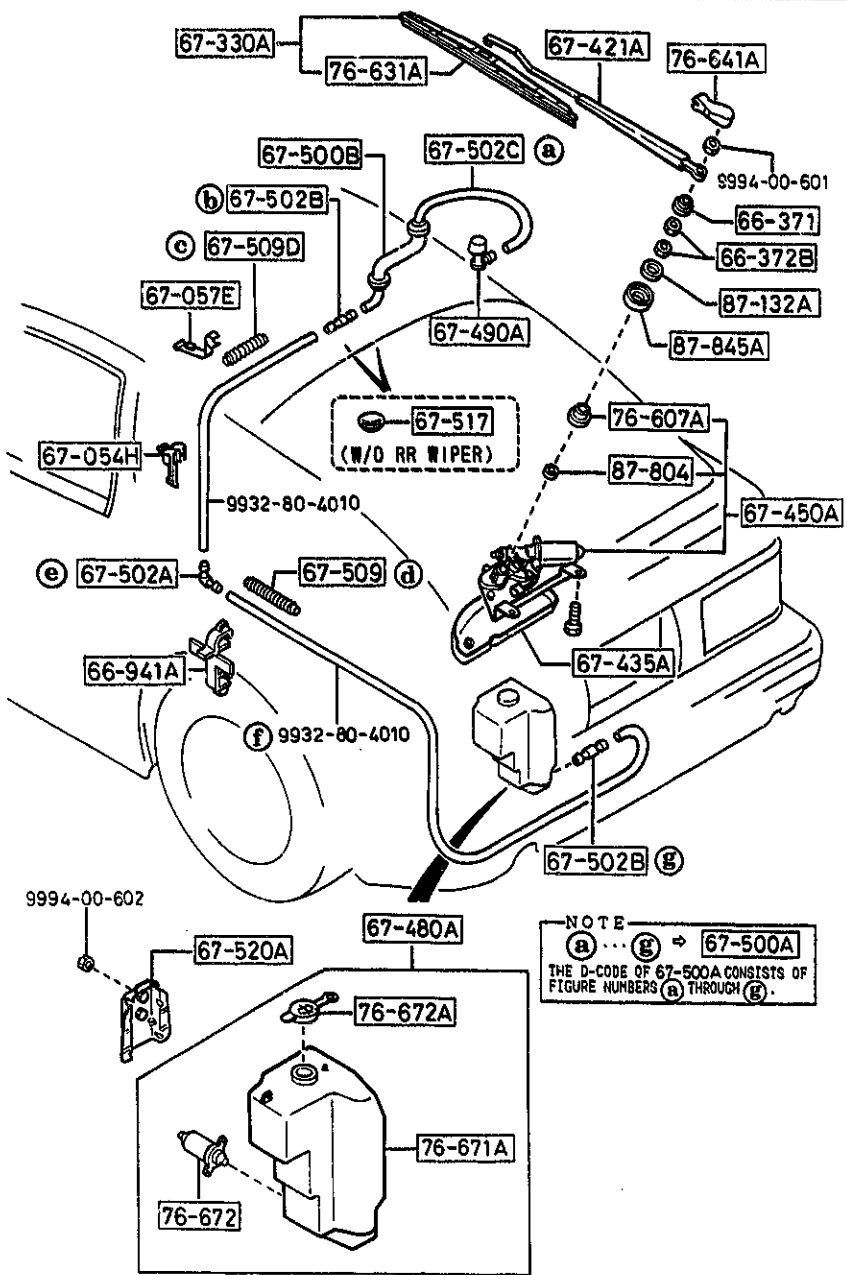
PART NO.	QTY	MODEL/RESTRICTION	MODEL/RESTRICTION	MODEL/RESTRICTION	FROM-TO
67-304		NUT,WIPER ARM-FRONT			
FB01-67-304	2				
67-321		ARM,WIPER			
FB01-67-321B	1				
FB02-67-321A	1				
67-330D		BLADE(L),WIPER-FRONT			
HE76-67-330A	2				
67-350		MOTOR,WIPER			
FB06-67-350	1				
76-601		LINK,WIPER			
FB01-67-360C	1				
76-631		RUBBER, BLADE-FRONT			
HE76-67-331A	2				
76-657		SHAFT,DRIVE NO.1			
FB01-67-363	1				
76-658		SHAFT,DRIVE NO.2			
FB01-67-364	1				
76-659		ARM NO.1, LINK			
FB01-67-361	1				
76-659A		ARM NO.2, LINK			
FB01-67-362	1				

6740 WIPER MOTOR COMPONENTS(FRONT)
COMPONENTS OF FB06-67-350



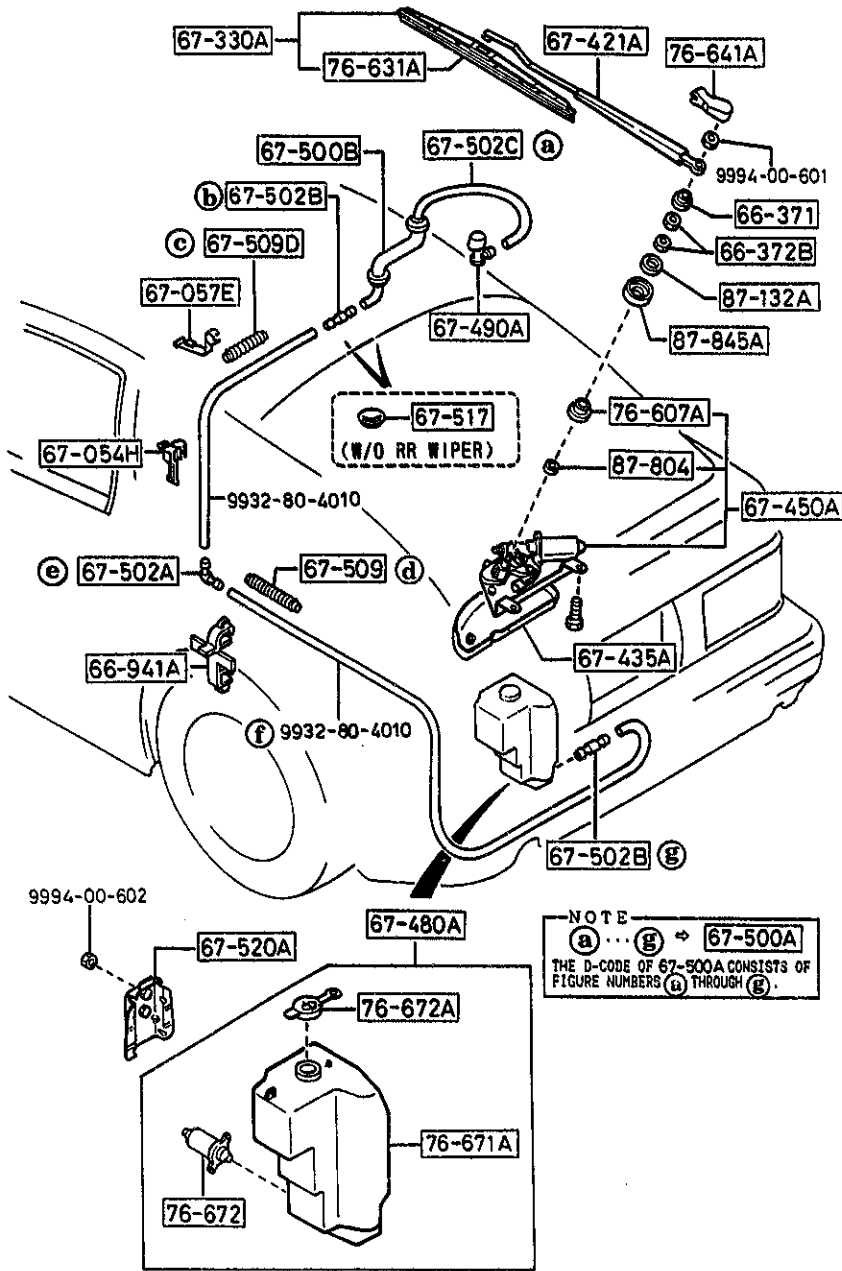
PART NO.	QTY	MODEL/RESTRICTION	MODEL/RESTRICTION	MODEL/RESTRICTION	FROM-TO
76-612		PLATE, HOLDER-BRUSH			
FB05-67-351	1				
76-619		PARTS SET			
H043-76-619A	1				
76-661		GEAR, SHAFT			
GJ83-67-354	1				
76-662		WASHER			
B094-76-662	1				
76-663		WASHER, TOOTHED			
B094-76-663	1				
87-107		SCREW			
B092-76-623	1				

6750 WINDOW WIPER & WASHER (REAR)



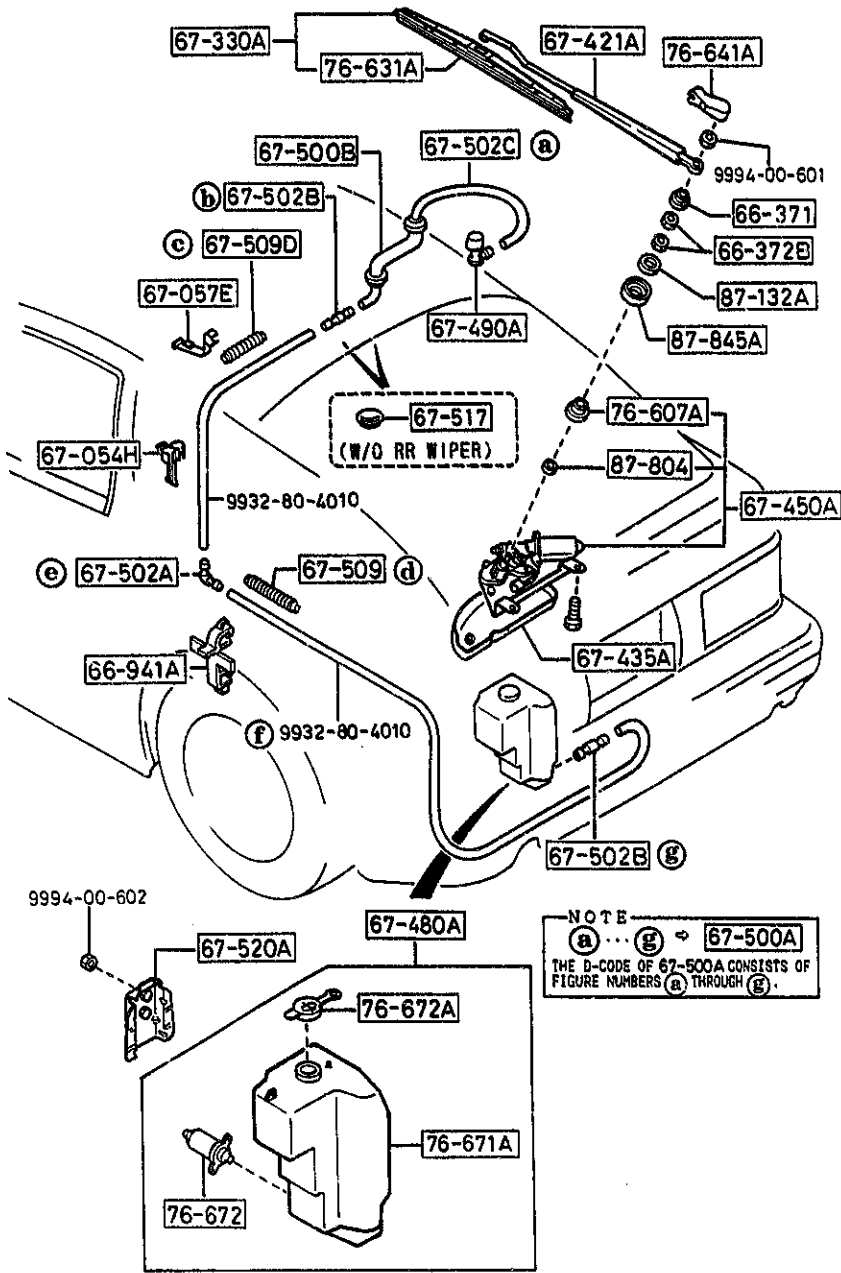
PART NO.	QTY	MODEL/RESTRICTION	MODEL/RESTRICTION	MODEL/RESTRICTION	FROM-TO
66-371		CAP, SEAL			
FB02-67-366A	1				
66-372B		NUT			
D001-76-605 A (D001-76-605A)	2				-1301
D001-76-605A	2				1301-
66-941A		CLIP			
GB08-66-941	1				
67-054H		CLIP, OPENER CABLE			
FB02-67-056	3				
67-057E		CLIP 'B', PIPE-REAR WASHER			
FB02-67-057	2				
67-330A		BLADE, WIPER-REAR			
FB02-67-330	1				
67-421A		ARM, WIPER			
FC01-67-421	1				
67-435A		COVER, WIPER MOTOR			
FB02-67-458B	1				
67-450A		MOTOR			
FB02-67-450A	1				
67-480A		TANK, WASHER-REAR			
FB02-67-480A	1				
67-490A		NOZZLE, WASHER-R. WIND			
FB02-67-510	1				
67-500A		PIPE, REAR WASHER-LOWER			
FB02-67-500	1				
67-500B		PIPE, REAR WASHER-UPPER			
FB04-67-500B	1				
1301 FC3***-906890					

6750 WINDOW WIPER & WASHER (REAR)



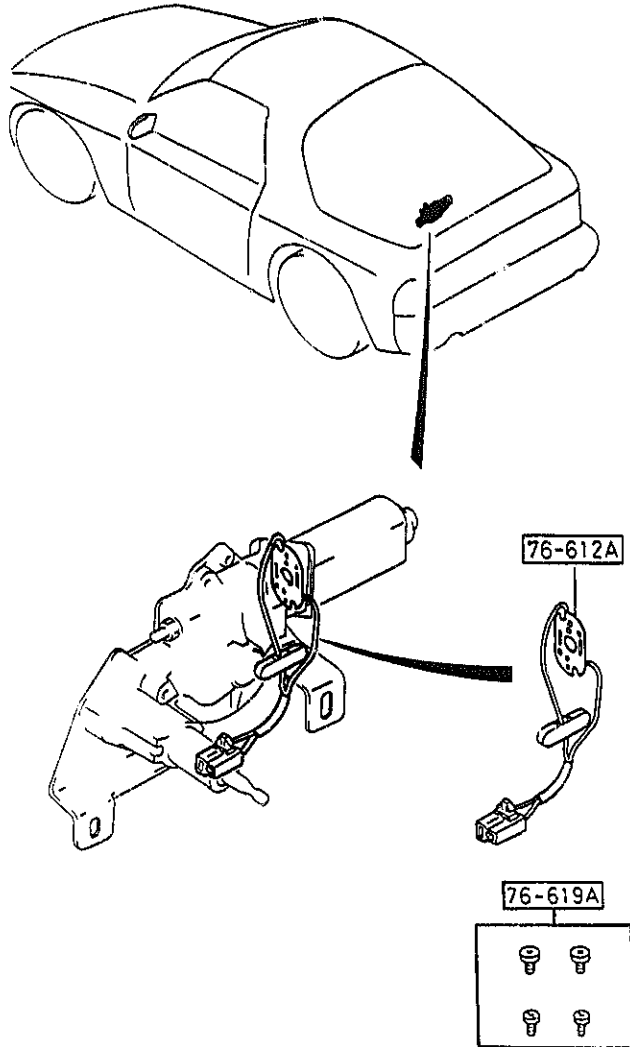
PART NO.	QTY	MODEL/RESTRICTION	MODEL/RESTRICTION	MODEL/RESTRICTION	FROM-TO
67-502A		JOINT, HOSE			
S013-67-502	1				
67-502B		JOINT, HOSE			
4116-67-502	2				
67-502C		JOINT, ELBOW			
SA70-67-502	1				
67-509		TUBE, CORRUGATE			
0044-67-509	1				
67-509D		TUBE, CORRUGATE			
0033-67-509	1				
67-517		COVER, HOLE-H/FRAME&F EADER (W/O RR WIPER)			
FB01-67-517	2				
67-520A		BRACKET			
FB02-67-520A	1				
76-607A		BUSH, INNER			
FB02-67-402A	2				
76-631A		RUBBER, BLADE-REAR			
FB02-67-331	1				
76-641A		COVER, WIPER ARM-REAR			
B093-76-641	1				
76-671A		TANK, WASHER-RR WIPER			
FB02-67-481	1				
76-672		PUMP, WASHER			
8532-76-672	1				
76-672A		CAP, TANK			
G030-76-673A	1				
87-132A		WASHER			
FB02-67-406	1				

6750 WINDOW WIPER & WASHER (REAR)



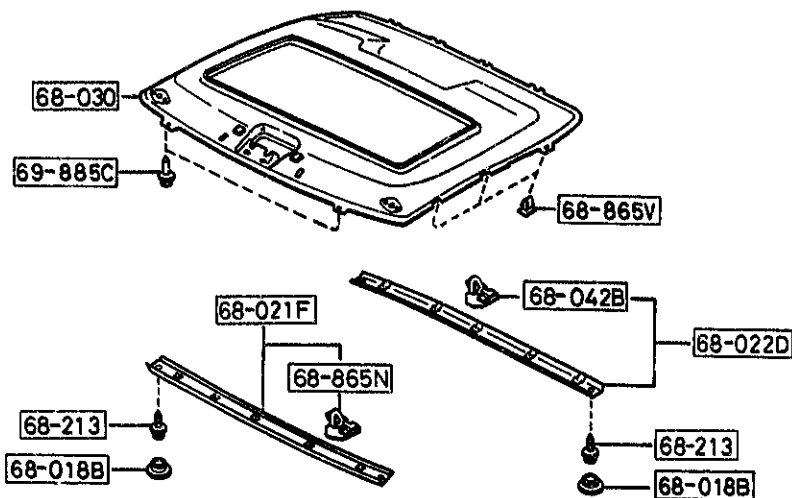
PART NO.	QTY	MODEL/RESTRICTION	MODEL/RESTRICTION	MODEL/RESTRICTION	FROM-TO
87-804 FB03-67-406	1	WASHER			
87-845A FB02-67-408A	1	GASKET			

6760 WINDOW WIPER MOTOR COMPONENTS (REAR)
 COMPONENTS OF FB02-67-450A

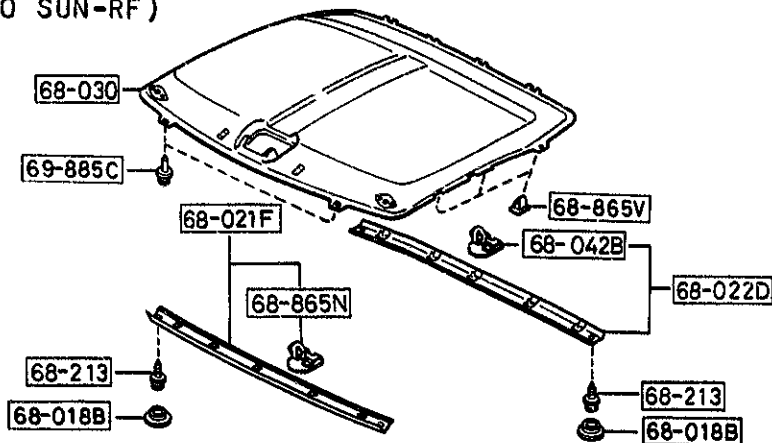


PART NO.	QTY	MODEL/RESTRICTION	MODEL/RESTRICTION	MODEL/RESTRICTION	FROM-TO
76-612A FB02-67-451	1	PLATE, HOLDER-BRUSH			
76-619A B002-76-619A	1	PARTS SET			

(SUNROOF)



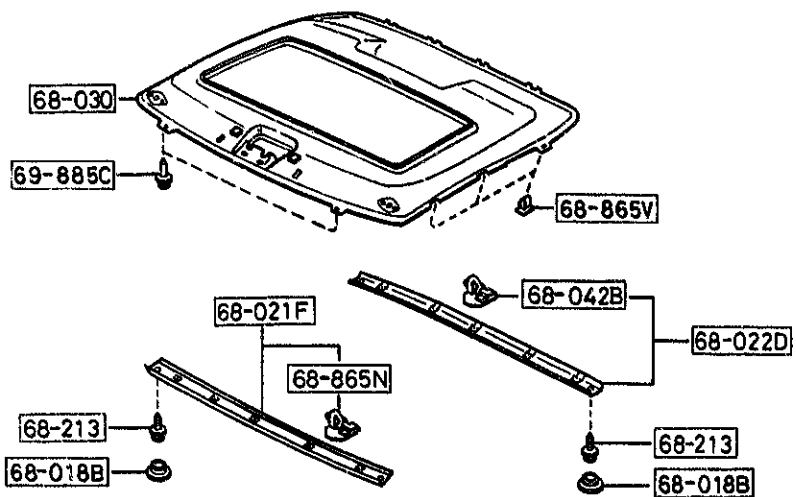
(W/O SUN-RF)



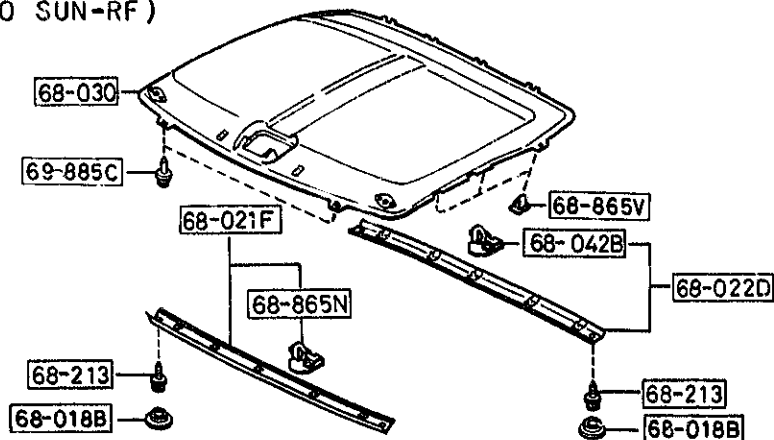
PART NO.	QTY	MODEL/RESTRICTION	MODEL/RESTRICTION	MODEL/RESTRICTION	FROM-TO
68-018B		CAP			
FB01-68-151	4				
02	INT-	FD8 FE1 BLACK			
48	INT-	FD9 BLUE			
68-021F		GARNISH, TOP-FRONT			
FB01-68-020	1				
02	INT-	FD8 FE1 BLACK			
48	INT-	FD9 BLUE			
68-022D		GARNISH, TOP-REAR			
FB01-68-040	1				
02	INT-	FD8 FE1 BLACK			
48	INT-	FD9 BLUE			
68-030		CEILING, TOP			
FC01-68-030	1	(W/O SUN-RF)			
02	INT-	FD8 BLACK			
48	INT-	FD9 BLUE			
FC03-68-030	1	((SUNROOF))<(W/RR WIPER)			
02	INT-	FD8 BLACK			
48	INT-	FD9 BLUE			
FC04-68-030	1	((SUNROOF))<(W/O RR WIPER)			
02	INT-	FD8 BLACK			
48	INT-	FD9 BLUE			
68-042B		CLIP, GARNISH			
FB01-68-042	5				
68-213		SCREW, TAPPING			
G030-68-213B	4				
68-865N		CLIP, TRIM			
H002-68-865	5				
68-865V		FASTENER, TOP CEILING			
B102-68-012	6				

6800 CEILING TRIMS
(COUPE)

(SUNROOF)



(W/O SUN-RF)

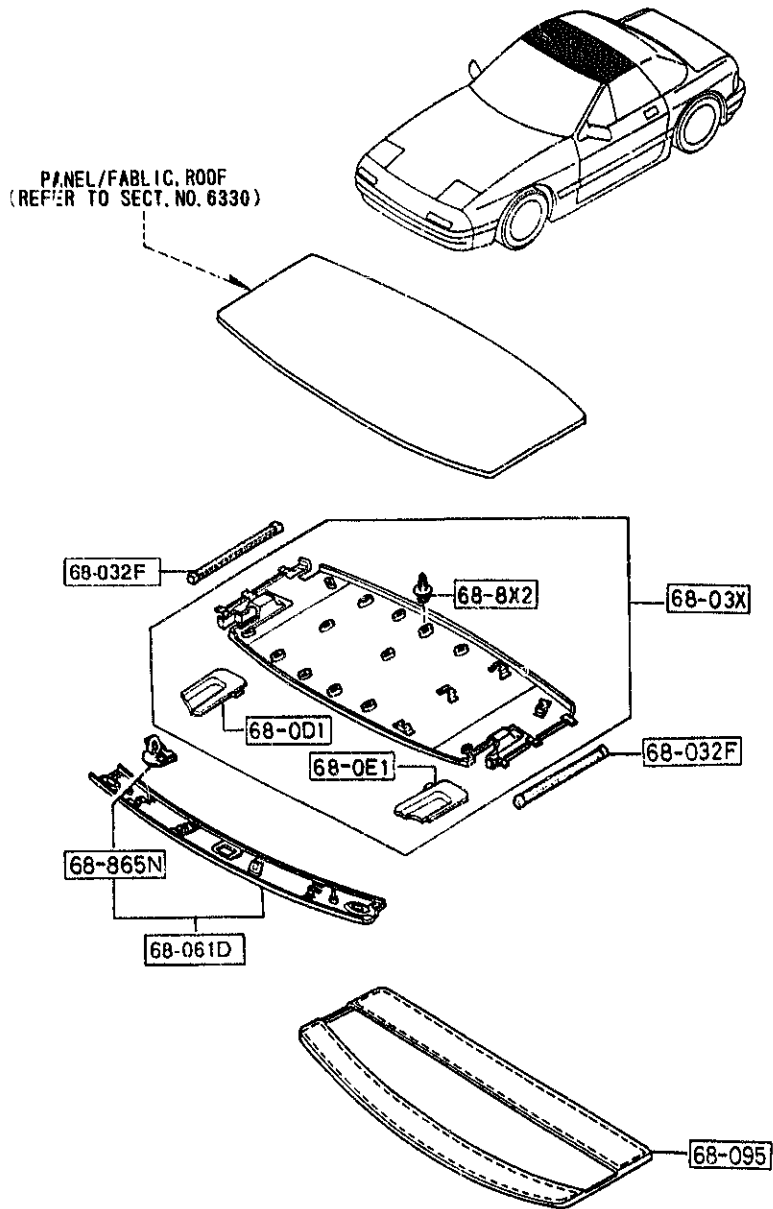


6800 -2 * CEILING TRIMS
(COUPE)

PART NO.	QTY	MODEL/RESTRICTION	MODEL/RESTRICTION	MODEL/RESTRICTION	FROM-TO
69-885C		FASTENER			
UB54-68-885	2				
00	INT-	FD8 FD9 FE0 FE1 BLACK			

6800A CEILING TRIMS
(CONVERTIBLE)

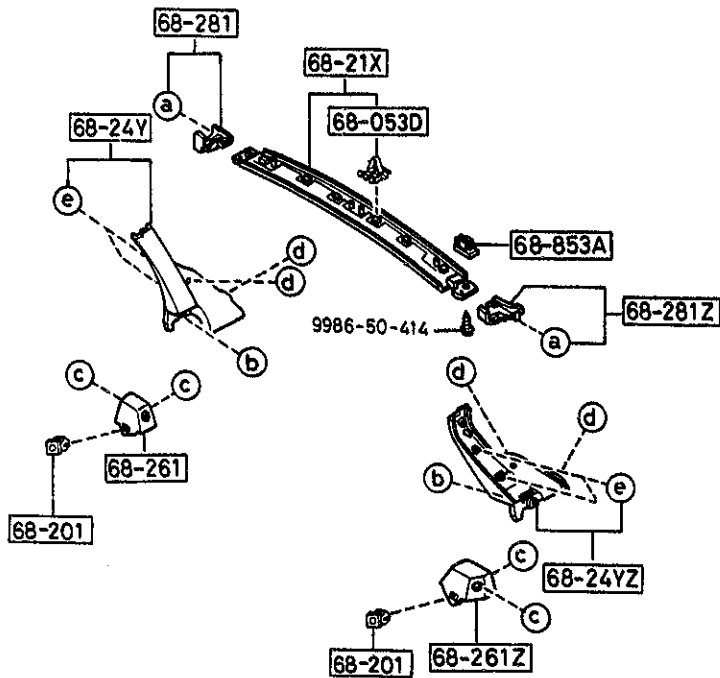
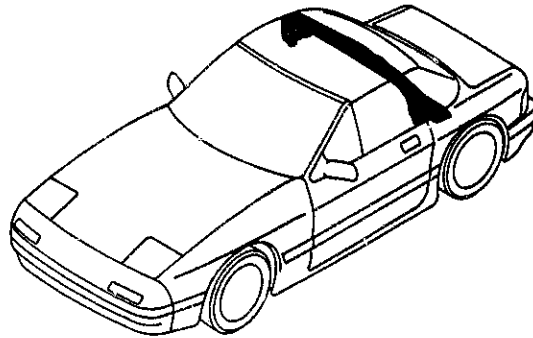
6800A -1 * CEILING TRIMS
(CONVERTIBLE)



PART NO.	QTY	MODEL/RESTRICTION	MODEL/RESTRICTION	MODEL/RESTRICTION	FROM TO
68-0D1		LID(R),TOP TRIM			
FB67-68-0D1	1				
02	INT-	FD8 FE1 BLACK			
48	INT-	FD9 BLUE			
68-0E1		LID(L),TOP TRIM			
FB67-68-0E1	1				
02	INT-	FD8 FE1 BLACK			
48	INT-	FD9 BLUE			
68-03X		TRIM,TOP			
FB67-68-03XB	1				
02	INT-	FD8 FE1 BLACK			
48	INT-	FD9 BLUE			
68-032F		WELT,SEAMING-ROOF			
FB67-68-032	2				
02	INT-	FD8 FE1 BLACK			
48	INT-	FD9 BLUE			
6A-061D		TRIM,FRONT HEADER			
FB67-68-020A	1				
02	INT-	FD8 FE1 BLACK			
48	INT-	FD9 BLUE			
68-095		BAG,ROOF PANEL			
FB67-68-095A	1				
68-8X2		CLIP			
G225-68-8X2	10				
68-865N		CLIP,TRIM			
H002-68-865	2				

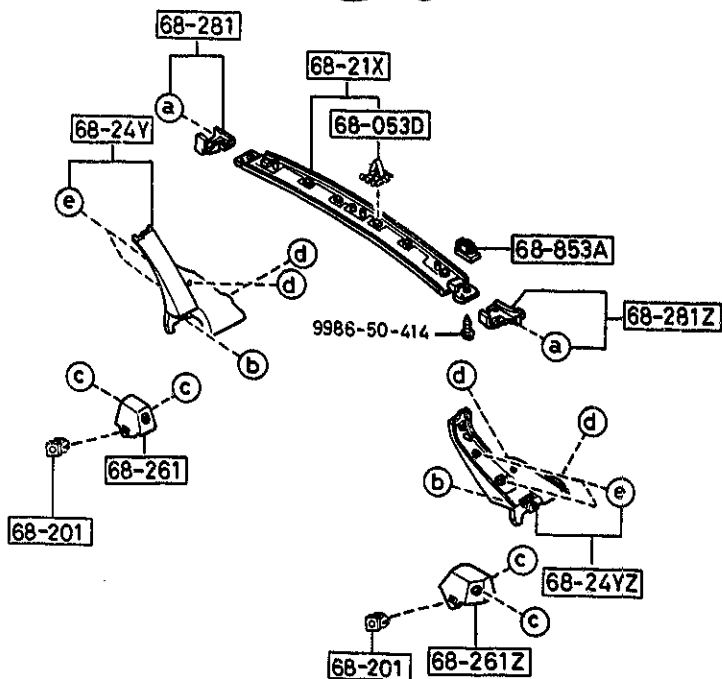
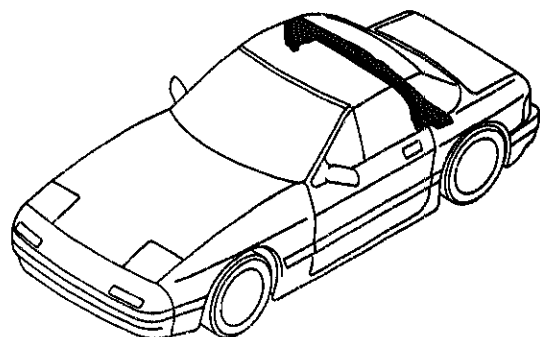
6810 ROLLEBAR
(CONVERTIBLE)

6810 -1 ROLLEBAR
(CONVERTIBLE)



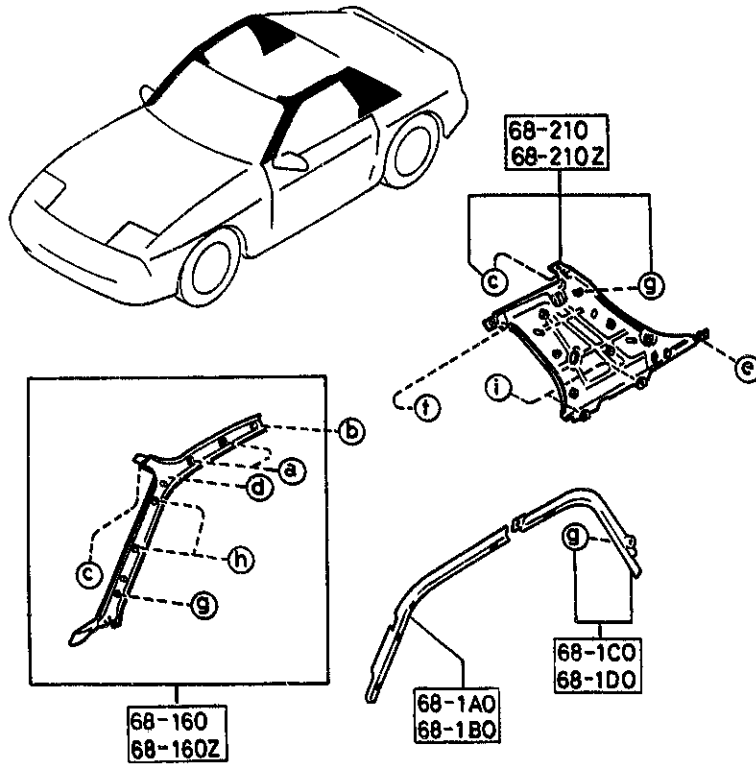
a	b	c	d	e
68-285	68-675	68-865E	68-865Q	68-865S

PART NO.	QTY	MODEL/RESTRICTION	MODEL/RESTRICTION	MODEL/RESTRICTION	FROM-TO
68-053D		CLIP,RR. PILLAR TRIM			
B100-68-279	8				
68-201		GROMMET,SCREW-QTR TRIM			
FB67-68-201	2				
68-21X		TRIM,FORMING BAR			
FB67-68-21XC	1				
02	INT-	FD8 FE1 BLACK			
48	INT-	FD9 BLUE			
68-24Y		COVER(R),LINK			
FB67-68-24YA	1				
02	INT-	FD8 FE1 BLACK			
48	INT-	FD9 BLUE			
68-24YZ		COVER(L),LINK			
FB67-68-25YA	1				
02	INT-	FD8 FE1 BLACK			
48	INT-	FD9 BLUE			
68-261		COVER(R),BELT			
FB67-68-261B	1				
02	INT-	FD8 FE1 BLACK			
48	INT-	FD9 BLUE			
68-261Z		COVER(L),BELT			
FB67-68-271B	1				
02	INT-	FD8 FE1 BLACK			
48	INT-	FD9 BLUE			
68-281		COVER(R),HINGE			
FB67-68-28XB	1				
02	INT-	FD8 FE1 BLACK			
48	INT-	FD9 BLUE			
68-281Z		COVER(L),HINGE			
FB67-68-29XB	1				



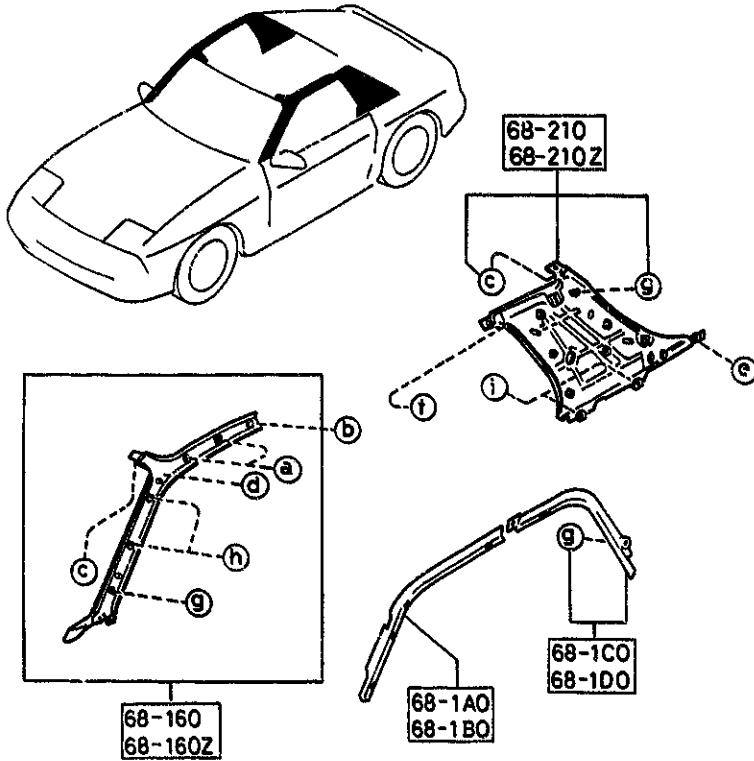
a	b	c	d	e
68-285	68-675	68-865E	68-865Q	68-865S

PART NO.	QTY	MODEL/RESTRICTION	MODEL/RESTRICTION	MODEL/RESTRICTION	FROM-TO
CONT'D					
02	INT-	FD8 FE1 BLACK			
48	INT-	FD9 BLUE			
68-285		FASTENER, HINGE COVER			
FB67-68-285	2				
02	INT-	FD8 FE1 BLACK			
48	INT-	FD9 BLUE			
68-675		FASTENER			
B100-68-675	2				
02	INT-	FD8 FE1 BLACK			
48	INT-	FD9 BLUE			
68-853A		GROMMET, SCREW-T/SIDE TRIM			
FB02-68-853	2				
68-865E		FASTENER			
S049-68-865	4				
00	INT-	FD8 FE1 FE0 BLACK			
48	INT-	FD9 BLUE			
68-865Q		FASTENER			
GJ21-68-885B	4				
02	INT-	FD8 FE1 BLACK			
48	INT-	FD9 BLUE			
68-865S		CLIP, TRIM			
*GJ12-68-865	4				



a	b	c	d	e
68-AD1 	68-153A 68-018B 	68-155 	68-172H 	68-719
f	g	h	i	
68-853A 	68-865N 	68-865S 	69-885C 	

PART NO.	QTY	MODEL/RESTRICTION	MODEL/RESTRICTION	MODEL/RESTRICTION	FROM-TO
68-AD1		CLIP, SLIDE			
FC01-68-AD1A	4				
68-018B		CAP			
FB01-68-151	2				
02	INT-	FD8 FE1 BLACK			
48	INT-	FD9 BLUE			
68-1A0		COVER(R), RAIL-FRT			
FC01-68-1A0B	1				
02	INT-	FD8 FE1 BLACK			
48	INT-	FD9 BLUE			
68-1B0		COVER(L), RAIL-FRT			
FC01-68-1B0B	1				
02	INT-	FD8 FE1 BLACK			
48	INT-	FD9 BLUE			
68-1C0		COVER(R), RAIL-RR			
FC01-68-1C0A	1				
02	INT-	FD8 FE1 BLACK			
48	INT-	FD9 BLUE			
68-1D0		COVER(L), RAIL-RR			
FC01-68-1D0A	1				
02	INT-	FD8 FE1 BLACK			
48	INT-	FD9 BLUE			
68-153A		SCREW, TAPPING			
UB39-68-153	2				
68-155		GROMMET, SCREW			
FB01-68-155	4				
68-160		TRIM(R), 'A' PILLAR			
FC01-68-160C	1				
02	INT-	FD8 FE1 BLACK			
48	INT-	FD9 BLUE			

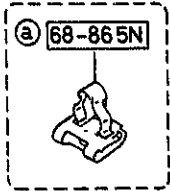
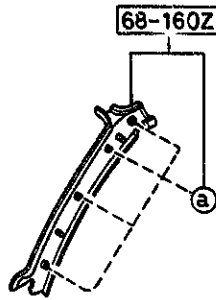
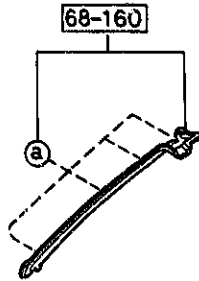
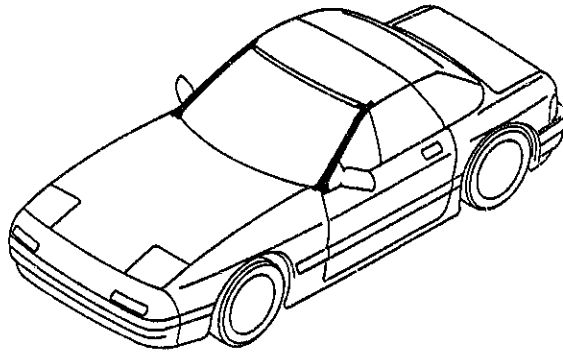


a	b	c	d	e
68-AD1 	68-153A 68-018B 	68-155 	68-172H 	68-719
f	g	h	i	
68-853A 	68-865N 	68-865S 	69-885C 	

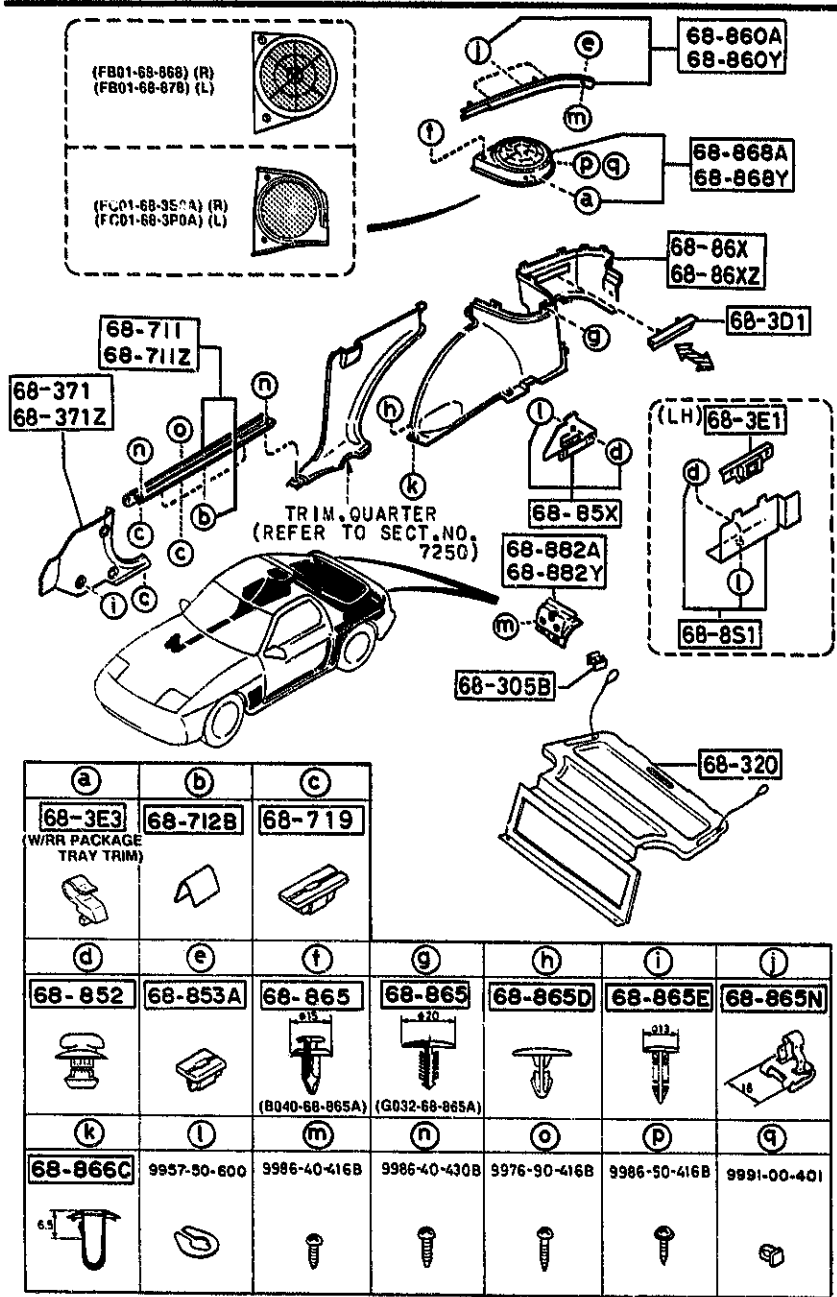
PART NO.	QTY	MODEL/RESTRICTION	MODEL/RESTRICTION	MODEL/RESTRICTION	FROM-TO
68-160Z		TRIM(L), 'A' PILLAR			
FC01-68-170C	1				
02	INT-	FD8 FE1 BLACK			
48	INT-	FD9 BLUE			
68-172H		FASTENER, CTR. P/UPP.			
8100-68-215A	2				
68-210		TRIM(R), 'B' PILLAR			
FC01-68-190A	1				
02	INT-	FD8 FE1 BLACK			
48	INT-	FD9 BLUE			
68-210Z		TRIM(L), 'B' PILLAR			
FC01-68-210A	1				
02	INT-	FD8 FE1 BLACK			
48	INT-	FD9 BLUE			
68-719		GROMMET, SCREW			
H001-68-719B	2				
68-853A		GROMMET, SCREW-T/SIDE TRIM			
FB01-68-853	2				
68-865N		CLIP, TRIM			
H002-68-865	18				
68-865S		CLIP, TRIM			
GJ12-68-865	4				
69-885C		FASTENER			
UB54-68-885	4				
00	INT-	FD8 FD9 FE1 FE0 BLACK			
48	INT-	FD9 BLUE			

6820A PILLAR TRIMS
(CONVERTIBLE)

6820A -1 * PILLAR TRIMS
(CONVERTIBLE)



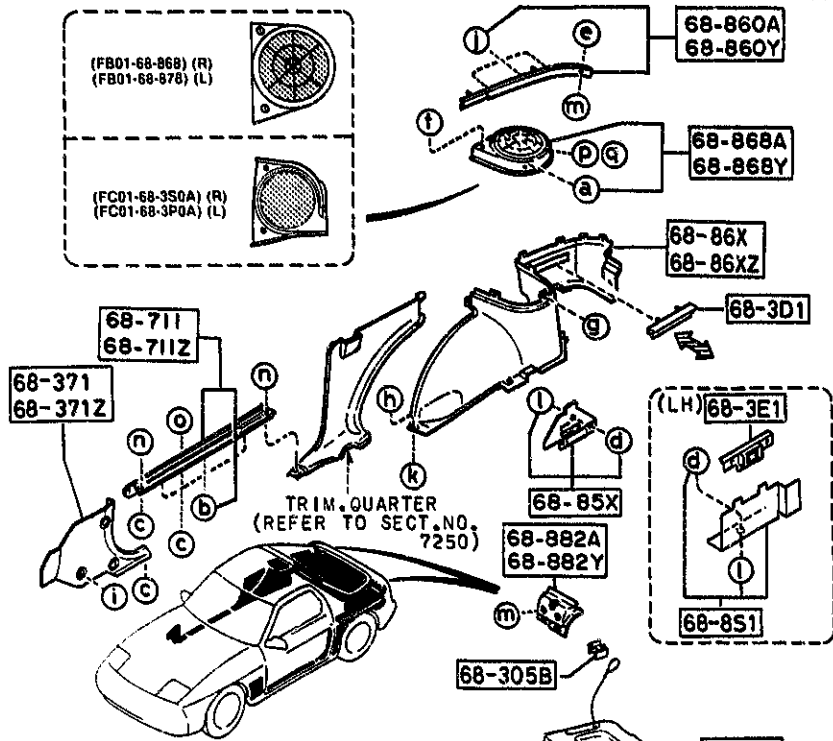
PART NO.	QTY	MODEL/RESTRICTION	MODEL/RESTRICTION	MODEL/RESTRICTION	FROM-TO
68-160		TRIM(R), 'A'PILLAR			
FB67-68-160A	1				
02	INT-	FD8 FE1 BLACK			
48	INT-	FD9 BLUE			
68-160Z		TRIM(L), 'A'PILLAR			
FB67-68-170A	1				
02	INT-	FD8 FE1 BLACK			
48	INT-	FD9 BLUE			
68-865N		CLIP, TRIM			
H002-68-865	8				



PART NO.	QTY	MODEL/RESTRICTION	MODEL/RESTRICTION	MODEL/RESTRICTION	FROM-TO
68-3D1		BRACKET(R),RR PKG			
FC01-68-3D1	1				
02	INT-	FD8 FD9 FE0 BLACK			
68-3E1		BRACKET(L),RR PKG			
FC01-68-3E1	1				
02	INT-	FD8 FD9 FE0 BLACK			
68-3E3		HOLDER,HINGE-GRILLE			
FC01-68-3E3A	2	BASE-OPT-2, TURBO, (W/RR PACKAGE TRAY T RIM)			
68-305B		HANGER,STRAP			
FC01-68-301A	2				
68-320		TRAY,REAR PACKAGE			
FC01-68-310D	1	BASE-OPT-2, TURBO, (W/RR PACKAGE TRAY T RIM)			
02	INT-	FD8 BLACK			
48	INT-	FD9 BLUE			
68-371		TRIM(R),FRONT SIDE			
FB01-68-370	1				
02	INT-	FD8 FE1 BLACK			
48	INT-	FD9 BLUE			
68-371Z		TRIM(L),FRONT SIDE			
FB01-68-390	1				
02	INT-	FD8 FE1 BLACK			
48	INT-	FD9 BLUE			
68-711		PLATE(R),FRONT SCUFF			
FB01-68-710A	1				
02	INT-	FD8 FE1 BLACK			
48	INT-	FD9 BLUE			
68-711Z		PLATE(L),FRONT SCUFF			
FB01-68-720A	1				

6840 TRIMS & SCUFF PLATES
(COUPE)

6840 -2 TRIMS & SCUFF PLATES
(COUPE)



a	b	c					
68-3E3 (W/RR PACKAGE TRAY TRIM)	68-712B	68-719					
d	e	f	g	h	i	j	
68-852	68-853A	68-865 (B040-68-865A)	68-865 (G032-68-865A)	68-865D	68-865E	68-865N	
k	l	m	n	o	p	q	
68-866C	9987-80-600	9986-40-416B	9986-40-430B	9976-90-416B	9986-50-416B	9991-00-401	

PART NO.	QTY	MODEL/RESTRICTION	MODEL/RESTRICTION	MODEL/RESTRICTION	FROM-TO
CONT'D					
02	INT-	FD8 FE1 BLACK			
48	INT-	FD9 BLUE			
68-712B		CLIP			
B003-68-712	2				
68-719		GROMMET, SCREW			
H001-68-719B	8				
68-851		COVER, JACK			
FC01-68-850	1				
02	INT-	FD8 BLACK			
48	INT-	FD9 BLUE			
68-85X		LID, SIDE-TRUNK ROOM			
FB01-68-85X	1				
68-852		FASTENER, TURN-SIDE LID			
FB01-68-852	3				
68-853A		GROMMET, SCREW-T/SIDE TRIM			
FB02-68-853	2				
68-86X		TRIM(R), TRUNK SIDE-LOWER BASE, (W/O RR PACKAGE TRAY TRIM)			
FC01-68-85Y	1				
02	INT-	FD8 BLACK			
48	INT-	FD9 BLUE			
FC04-68-85Y	1	BASE-OPT-2, TURBO, (W/RR PACKAGE TRAY TRIM)			
02	INT-	FD8 BLACK			
48	INT-	FD9 BLUE			
68-86XZ		TRIM(L), TRUNK SIDE-LOWER BASE, (W/O RR PACKAGE TRAY TRIM)			
FC01-68-87Y	1				
02	INT-	FD8 BLACK			
48	INT-	FD9 BLUE			

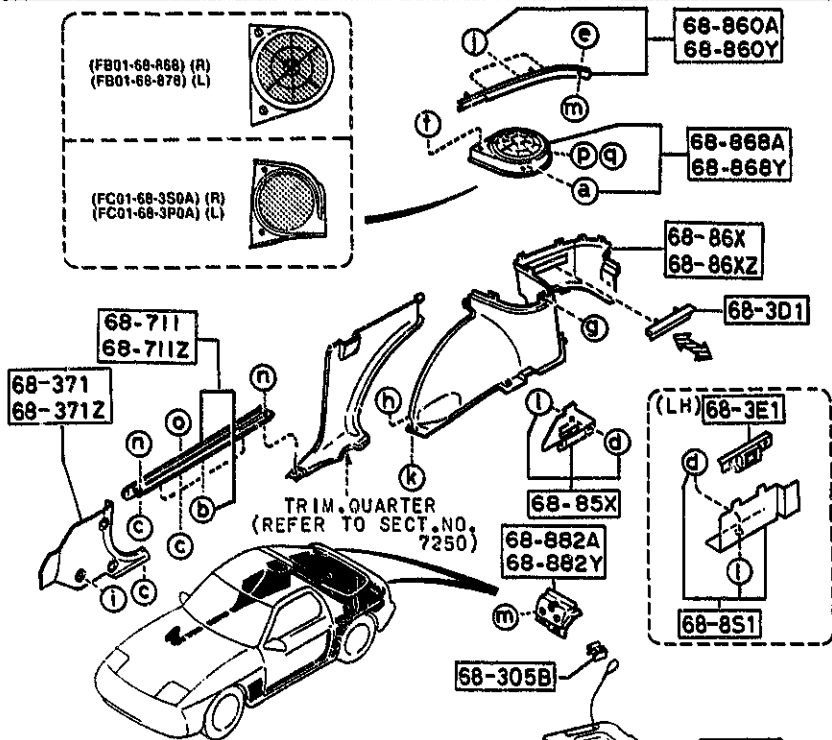
AUFA03

CAT. AUFA03-07

1993-12

6840 TRIMS & SCUFF PLATES
(COUPE)

6840 -3 TRIMS & SCUFF PLATES
(COUPE)



a	b	c				
68-3E3 W/RR PACKAGE TRAY TRIM	68-712B	68-719				
d	e	f	g	h	i	j
68-852	68-853A	68-865 913 (B040-68-865A)	68-865 920 (G032-68-865A)	68-865D	68-865E	68-865N
k	l	m	n	o	p	q
68-866C	9957-50-800	9986-40-416B	9986-40-430B	9976-90-416B	9986-50-416B	9991-00-401

PART NO.	QTY	MODEL/RESTRICTION	MODEL/RESTRICTION	MODEL/RESTRICTION	FROM-TO
CONT'D					
FC04-68-87Y	1	BASE-OPT-2, TURBO, (W/RR PACKAGE TRAY T RIM)			
02	INT-	FD8 BLACK			
48	INT-	FD9 BLUE			
68-860A		TRIM(R), TRUNK SIDE-U PPER			
FB01-68-860	1				
02	INT-	FD8 FE1 BLACK			
48	INT-	FD9 BLUE			
68-860Y		TRIM(L), TRUNK SIDE-U PPER			
FB01-68-870	1				
02	INT-	FD8 FE1 BLACK			
48	INT-	FD9 BLUE			
68-865		FASTENER			
B040-68-865A	4				
00	INT-	FD8 BLACK			
48	INT-	FD9 BLUE			
G032-68-865A	14				
00	INT-	FD8 FE1 BLACK			
48	INT-	FD9 BLUE			
68-865D		FASTENER			
S083-68-865A	7				
00	INT-	FD8 FE1 BLACK			
48	INT-	FD9 BLUE			
68-865E		FASTENER			
S049-68-865	6				
00	INT-	FD8 FD9 FE1 FE0 BLACK			
48	INT-	FD9 BLUE			
68-865N		CLIP, TRIM			
H002-68-865	6				
68-866C		FASTENER, SEAL			

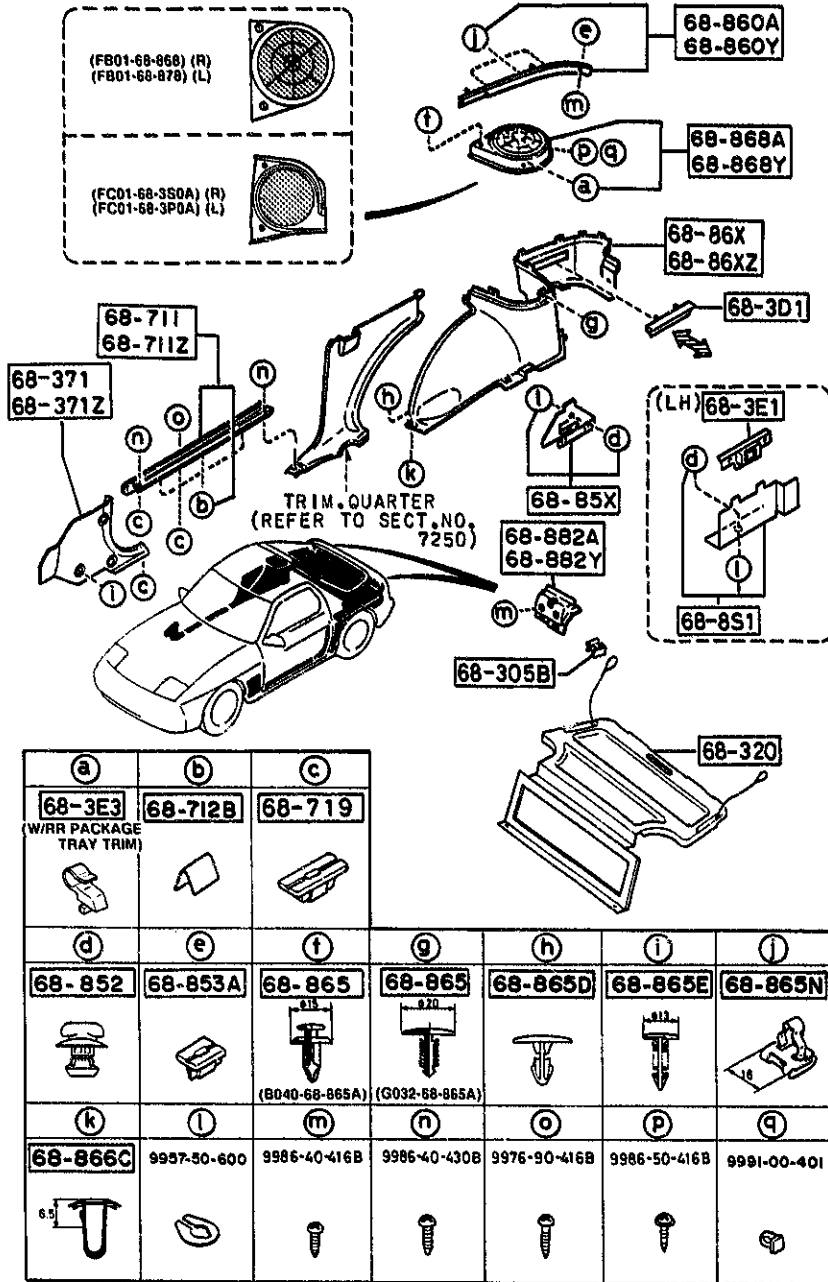
AUFA03

CAT. AUFA03-07

1993-12

6840 TRIMS & SCUFF PLATES
(COUPE)

6840 -4 * TRIMS & SCUFF PLATES
(COUPE)



PART NO.	QTY	MODEL/RESTRICTION	MODEL/RESTRICTION	MODEL/RESTRICTION	FROM-TO
CONT'D B235-68-865A	7				
68-868A					
FC01-68-350A	1	GRILLE(R), SPEAKER-T/ TRIM BASE-OPT-2, TURBO, (W/RR PACKAGE TRAY T RIM)			
02	INT-	FD8 BLACK			
48	INT-	FD9 BLUE			
FB01-68-868	1	BASE, (W/O RR PACKAGE TRAY TRIM)			
02	INT-	FD8 BLACK			
48	INT-	FD9 BLUE/BLACK			
68-868Y					
FC01-68-3P0A	1	GRILLE(L), SPEAKER-T/ TRIM BASE-OPT-2, TURBO, (W/RR PACKAGE TRAY T RIM)			
02	INT-	FD8 BLACK			
48	INT-	FD9 BLUE			
FB01-68-878	1	BASE, (W/O RR PACKAGE TRAY TRIM)			
02	INT-	FD8 BLACK			
48	INT-	FD9 BLUE/BLACK			
68-882A					
FB01-68-894B	1	COVER(R), T/END TRIM			
02	INT-	FD8 FE1 BLACK			
48	INT-	FD9 BLUE			
68-882Y					
FB01-68-895B	1	COVER(L), T/END TRIM			
02	INT-	FD8 FE1 BLACK			
48	INT-	FD9 BLUE			

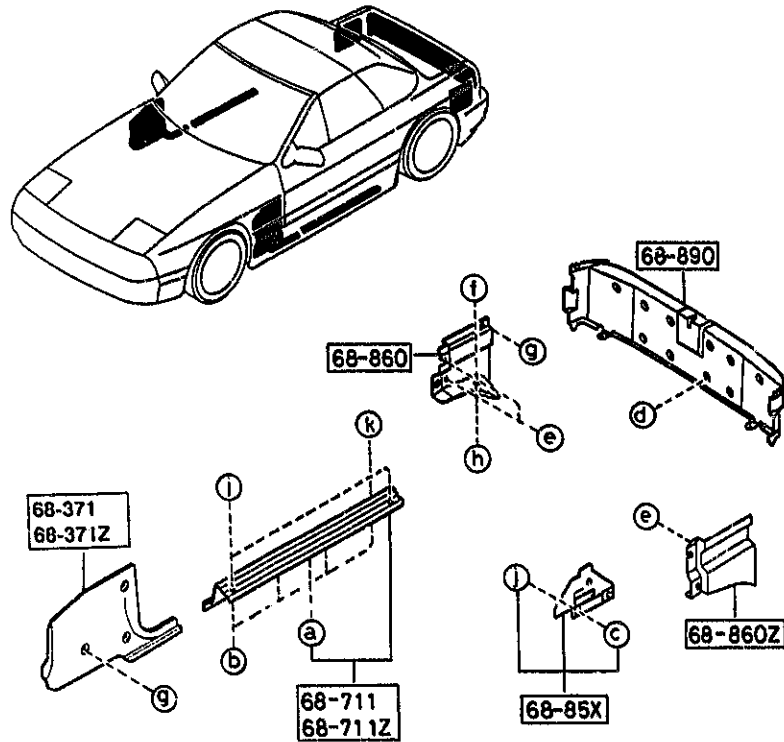
AUFA03

CAT. AUFA03-07

1993-12

6840A TRIMS & SCUFF PLATES
(CONVERTIBLE)

6840A -1 TRIMS & SCUFF PLATES
(CONVERTIBLE)



(a)	(b)	(c)	(d)	(e)	(f)	(g)
68-712B	68-719	68-852	68-865	68-865	68-865D	68-865E
(h)	(i)	(j)	(k)			
68-866C	9957-50-600	9986-40-430B	9976-90-416B			

PART NO.	QTY	MODEL/RESTRICTION	MODEL/RESTRICTION	MODEL/RESTRICTION	FROM-TO
68-371		TRIM(R), FRONT SIDE			
FB67-68-370	1				
02	INT-	FD8 FE1 BLACK			
48	INT-	FD9 BLUE			
68-371Z		TRIM(L), FRONT SIDE			
FB67-68-390	1				
02	INT-	FD8 FE1 BLACK			
48	INT-	FD9 BLUE			
68-711		PLATE(R), FRONT SCUFF			
FB67-68-710	1				
02	INT-	FD8 FE1 BLACK			
48	INT-	FD9 BLUE			
68-711Z		PLATE(L), FRONT SCUFF			
FB67-68-720	1				
02	INT-	FD8 FE1 BLACK			
48	INT-	FD9 BLUE			
68-712B		CLIP			
B235-68-712	2				
68-719		GROMMET, SCREW			
*B235-68-719	8				
68-85X		LID, SIDE-TRUNK ROOM			
FB01-68-85X	1				
68-852		FASTENER, TURN-SIDE LID			
FB01-68-852	2				
68-860		TRIM(R), TRUNK SIDE			
FB67-68-861	1				
07	INT-	FD8 FD9 FE1 DARK GRAY			
68-860Z		TRIM(L), TRUNK SIDE			
FB67-68-871	1				

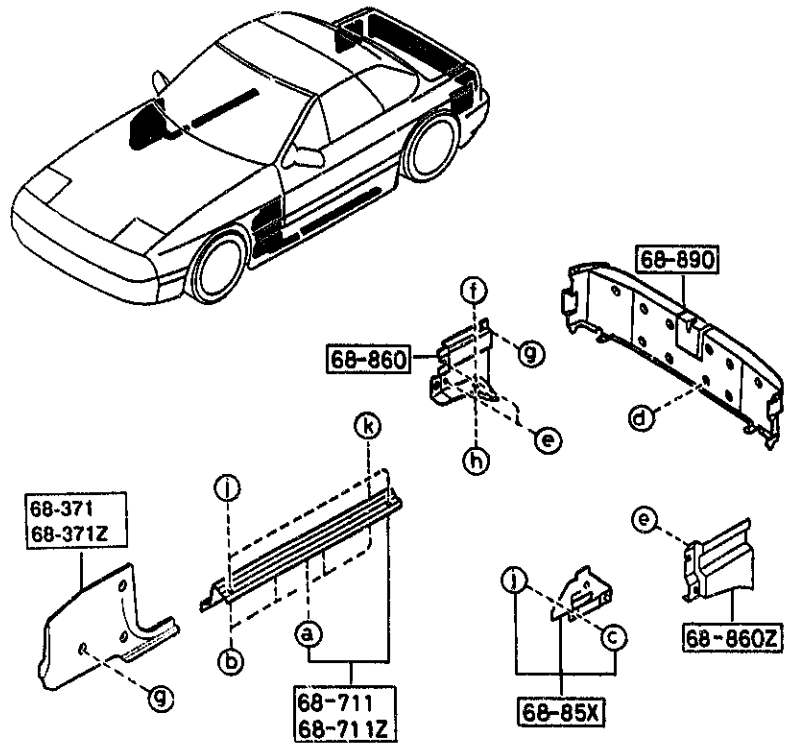
AUFA03

CAT. AUFA03-07

1993-12

6840A TRIMS & SCUFF PLATES
(CONVERTIBLE)

6840A -2 * TRIMS & SCUFF PLATES
(CONVERTIBLE)



a	b	c	d	e	f	g
68-712B	68-719	68-852	68-865	68-865	68-865D	68-865E
			 (FB67-68-865)	 (G032-68-865A)		
h	i	j	k			
68-866C	9957-50-600	9986-40-430B	9976-90-416B			

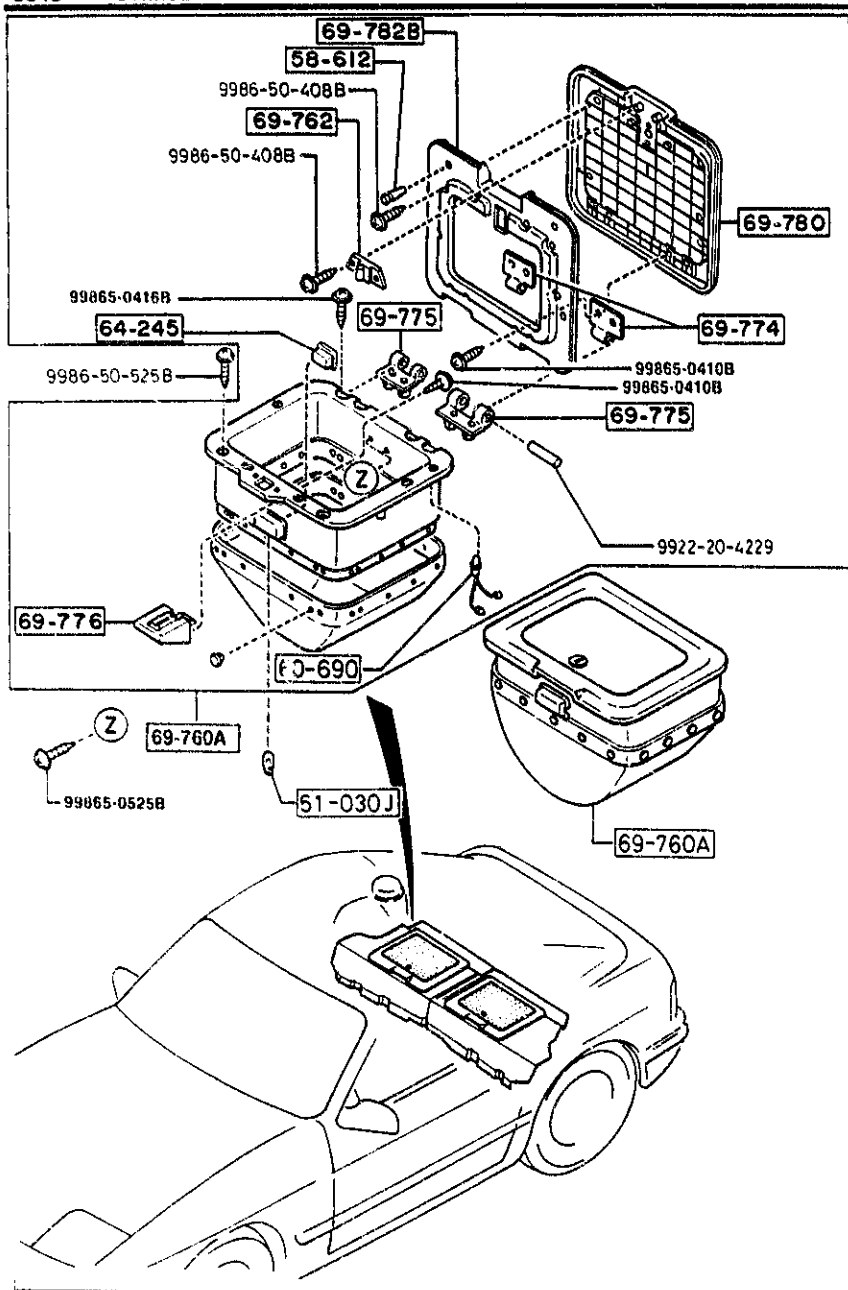
PART NO.	QTY	MODEL/RESTRICTION	MODEL/RESTRICTION	MODEL/RESTRICTION	FROM-TO
CONT'D					
07	INT-	FD8 FD9 FE1 DARK GRAY			
		FASTENER			
FB67-68-865	13				
09	INT-	FD8 FD9 FE1 DARK GRAY			
G032-68-865A	7				
09	INT-	FD8 FD9 FE0 FE1 DARK GRAY			
		FASTENER			
S083-68-865A	1				
09	INT-	FD8 FD9 FE1 FE0 DARK GRAY			
		FASTENER			
S049-68-865	6				
00	INT-	FD8 FE1 FE0 BLACK			
48	INT-	FD9 BLUE			
		FASTENER, SEAL			
B235-68-865A	1				
		TRIM, TRUNK END			
FB67-68-891B	1				
07	INT-	FD8 FD9 FE1 DARK GRAY			

AUFA03

CAT. AUFA03-07

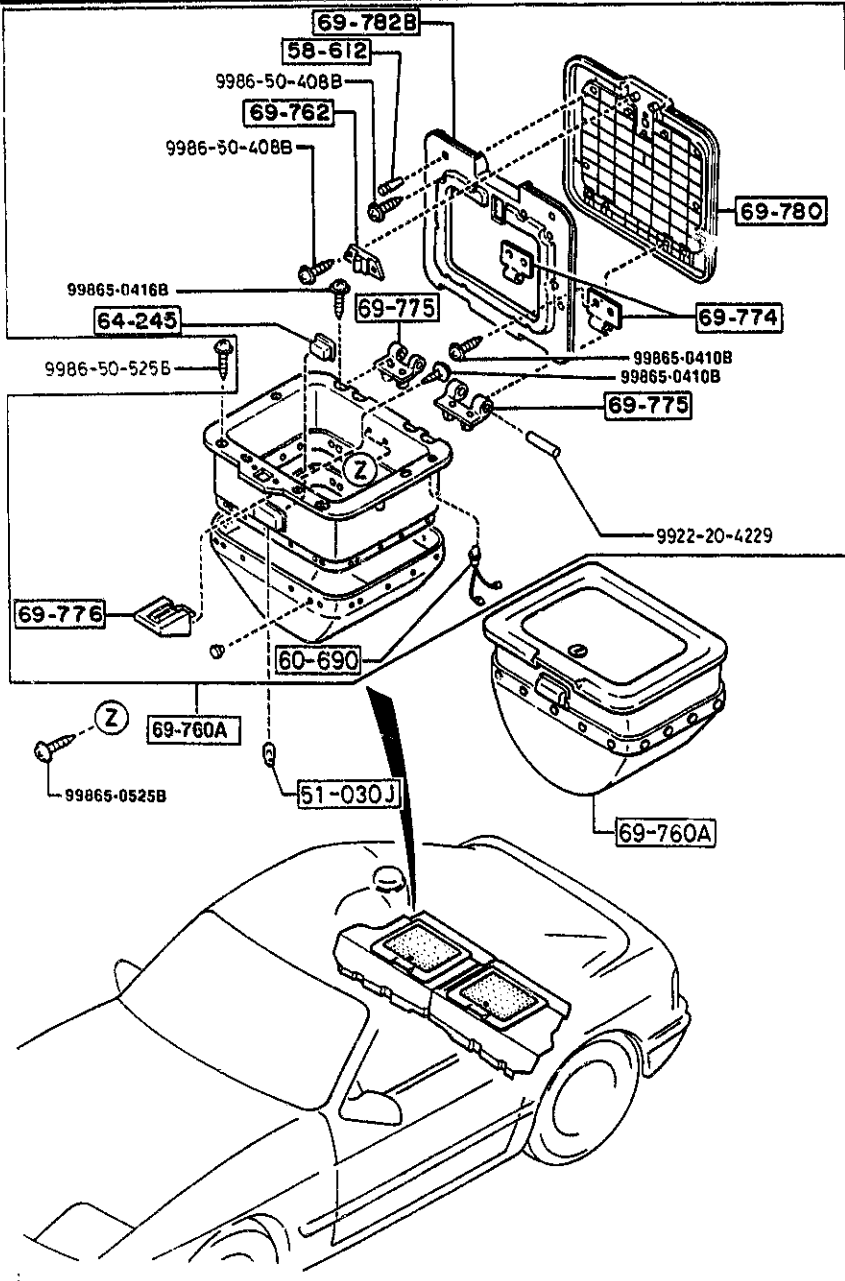
1993-12

6845 STRAGE BOX



PART NO.	QTY	MODEL/RESTRICTION	MODEL/RESTRICTION	MODEL/RESTRICTION	FROM-TO
51-030J		SCREWS			
99701-6030	2	12V 3.4W			
58-612		CUSHION, RUBBER			
0259-58-612	4				
60-690		SWITCH, GLOVE TRAY			
0030-66-5408	2				
64-245		LENS, SIDE WALL			
H002-64-245	2				
69-760A		BOX, STORAGE			
FC01-69-760A	2				
03	INT-	FD8 DARK GRAY/BLACK			
49	INT-	FD9 DARK GRAY/BLUE			
69-762		PLATE, LOCK			
FB01-69-762	2				
03	INT-	FD8 DARK GRAY/BLACK			
49	INT-	FD9 DARK GRAY/BLUE			
69-774		HINGE NO.1, STORAGE BOX			
FB01-69-774	4				
07	INT-	FD8 DARK GRAY			
48	INT-	FD9 BLUE			
69-775		HINGE NO.2, STORAGE BOX			
FB01-69-775	4				
07	INT-	FD8 DARK GRAY			
48	INT-	FD9 BLUE			
69-776		STRIKER, STORAGE BOX			
FB01-69-776	2				
69-780		LID, OUTER-STORAGE BOX			
FB01-69-780	2				
03	INT-	FD8 DARK GRAY/BLACK			

6845 STRAGE BOX



AUFA03

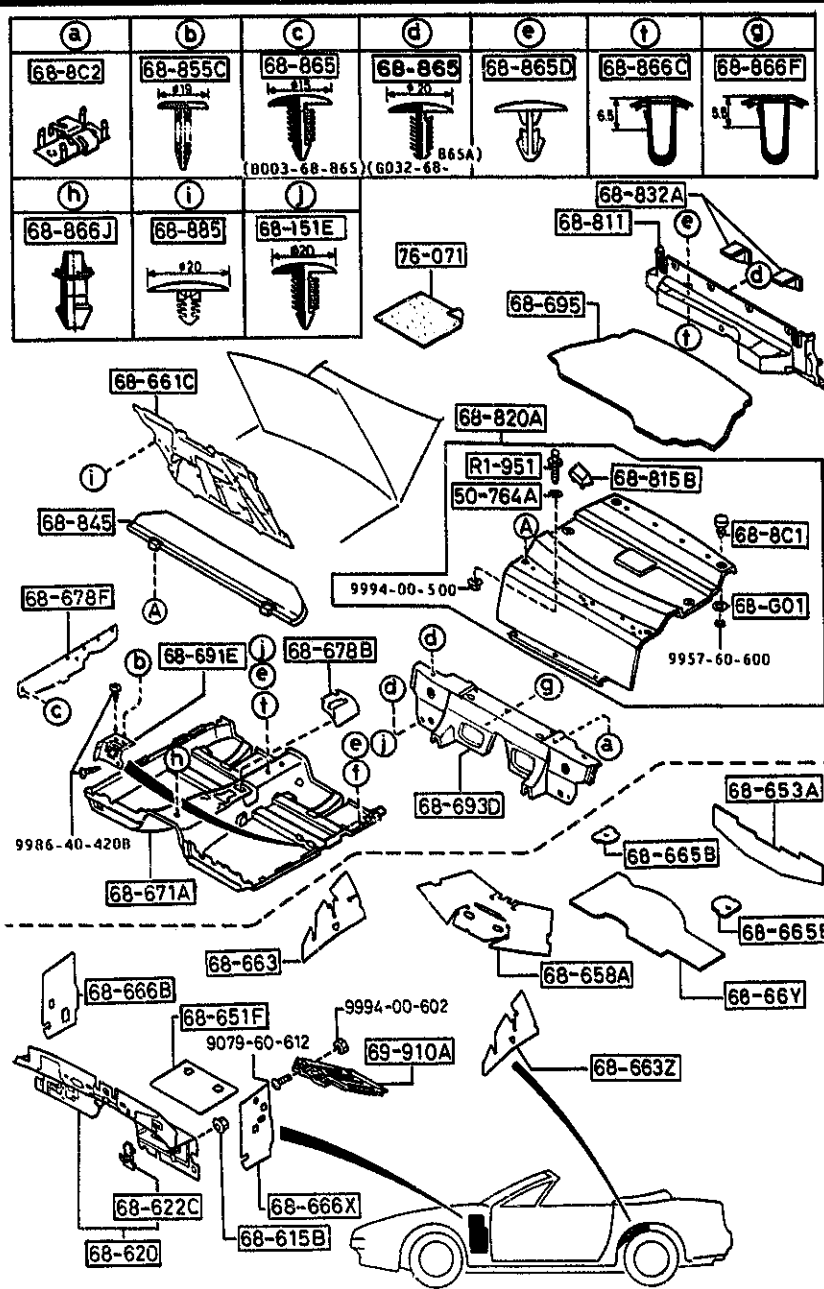
6845 -2 * STRAGE BOX

PART NO.	QTY	MODEL/RESTRICTION	MODEL/RESTRICTION	MODEL/RESTRICTION	FROM-TO
CONT'D					
49	INT-	FD9 DARK GRAY/BLUE			
69-782B		LID, INNER-STORAGE BOX			
FB01-69-782A	2	X			
03	INT-	FD8 DARK GRAY/BLACK			
49	INT-	FD9 DARK GRAY/BLUE			

CAT. AUFA03-07

1993-12

6860A FLOOR MATS & PADS
(CONVERTIBLE)



AUFA03

6860A -1 FLOOR MATS & PADS
(CONVERTIBLE)

PART NO.	QTY	MODEL/RESTRICTION	MODEL/RESTRICTION	MODEL/RESTRICTION	FROM-TO
R1-951 B235-R1-951C	2	HOOK 'A', HOOD COVER-REAR			
50-764A FB67-50-764A	2	WASHER, COVER-SPARE TIRE			
68-601 FB67-68-601	6	WASHER, SPARE TIRE COVER			
68-151E B102-68-865	4	CLIP			
00	INT-	FD8 FE1 BLACK			
48	INT-	FD9 BLUE			
68-615B B100-68-615	11	NUT, FLANGE-CAP			
68-620 FB67-68-620	1	INSULATOR, DASHBOARD			
68-622C FB01-68-622	4	CLIP, DASHBOARD INSULATOR			
68-651F FB01-68-652	1	PAD, FRONT FLOOR			
68-653A FB01-68-653	1	INSULATOR, SPARE TIRE			
68-658A FB67-68-658A	1	PAD, STRAGE BOX			
68-66Y FB67-68-66Y	1	PAD, FLOOR-REAR			
68-661C FB03-68-661A	1	INSULATOR, BONNET			
68-663 FB01-68-663	1	INSULATOR(R), TIRE HO USE			

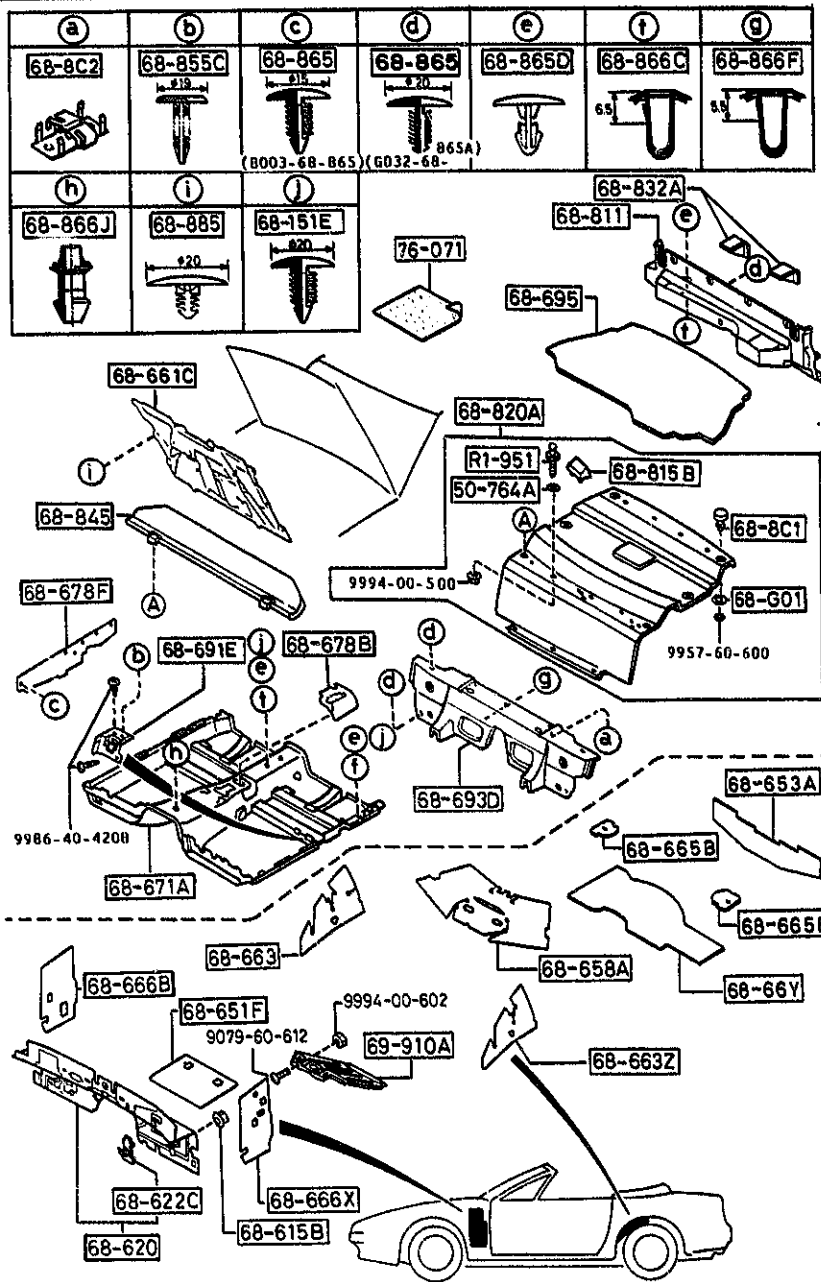
1A01-

CAT. AUFA03-07

1993-12

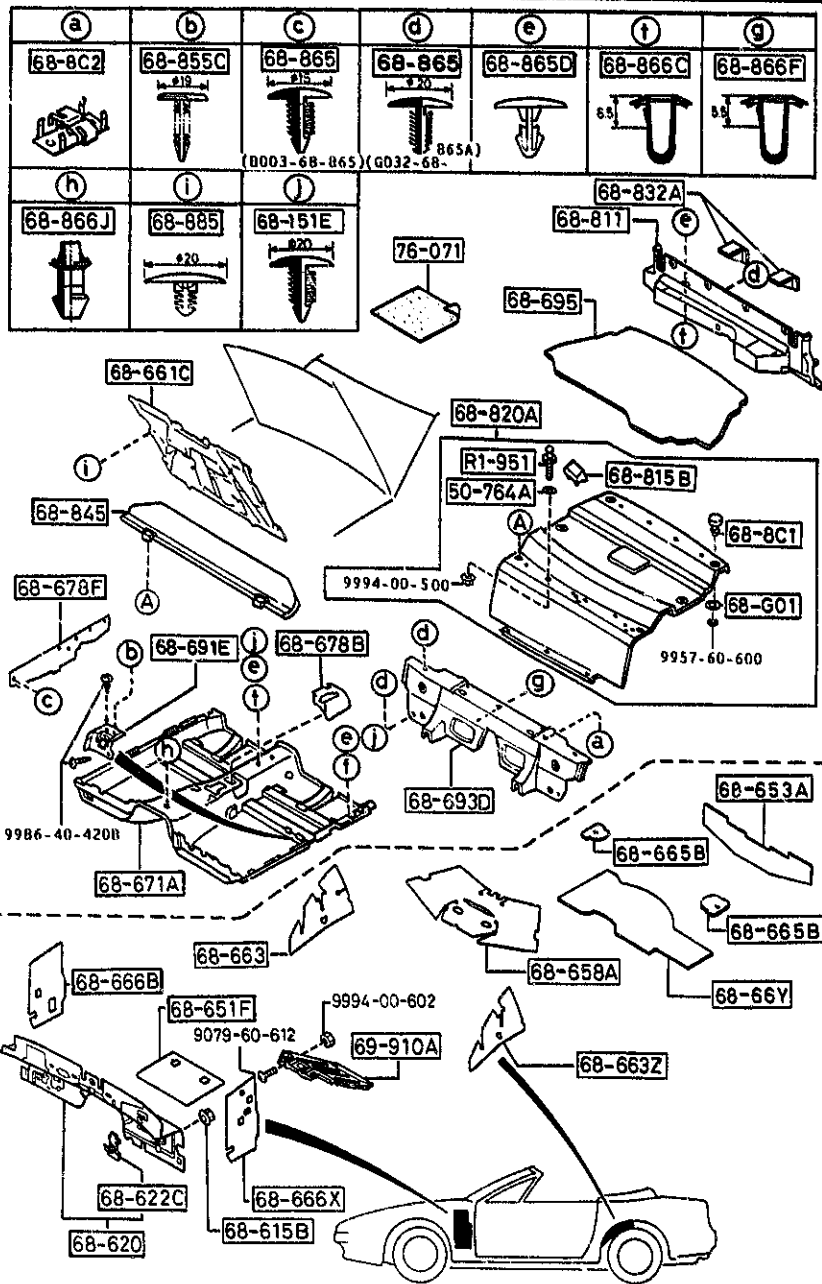
6860A FLOOR MATS & PADS
(CONVERTIBLE)

6860A -2 FLOOR MATS & PADS
(CONVERTIBLE)



PART NO.	QTY	MODEL/RESTRICTION	MODEL/RESTRICTION	MODEL/RESTRICTION	FROM-TO
68-663Z		INSULATOR(L), TIRE HO USE			
FB01-68-664	1				
68-665B		PAD, SUSPENSION			
FB67-68-665	2				
68-666B		PAD(R), SIDE-DASHBOAR D			
FB03-68-666A	1				
68-666X		PAD(L), SIDE-DASHBOAR D			
FB03-68-667A	1				
68-671A		MAT, FLOOR			
FC66-68-671	1				
02	INT-	FD8 BLACK			
48	INT-	FD9 BLUE			
68-678B		MAT, PARKING BRAKE			
FB67-68-673	1				
02	INT-	FD8 FE1 BLACK			
48	INT-	FD9 BLUE			
68-678F		GUARD, HARNESS-FRONT			
FB67-68-678	2				
68-691E		COVER, OPENER-FLOOR M AT			
FB01-68-691D	1				
02	INT-	FD8 FE1 BLACK			
48	INT-	FD9 BLUE			
68-693D		MAT, REAR END			
FC66-68-693	1				
02	INT-	FD8 FE1 BLACK			
48	INT-	FD9 BLUE			
68-695		MAT, TRUNK ROOM			
FB67-68-831B	1				
07	INT-	FD8 FD9 FE1 GRAY/DARK GRAY			

6860A FLOOR MATS & PADS
(CONVERTIBLE)



6860A -3 FLOOR MATS & PADS
(CONVERTIBLE)

PART NO.	QTY	MODEL/RESTRICTION	MODEL/RESTRICTION	MODEL/RESTRICTION	FROM-TO
68-8C1		FASTENER, TAPPING			
FB67-68-8C1	6				
02	INT-	FD8 FE1 BLACK			
48	INT-	FD9 BLUE			
68-8C2		NUT, EXPANSION			
FB67-68-8C2	2				
68-811		BOARD, PARTITION			
FC33-68-82XA	1				
07	INT-	FD8 FD9 FE1 DARK GRAY			
68-815B		RUBBER, CUSHION			
FB67-68-815	2				
68-820A		COVER, SPARE TIRE			
FB67-68-810D	1				
02	INT-	FD8 FE1 BLACK			
48	INT-	FD9 BLUE			
68-832A		BRACKET, TRUNK BOARD			
FB67-68-832	2				
68-845		BOARD, AIR			
FB67-68-845	1				
02	INT-	FD8 FE1 BLACK			
48	INT-	FD9 BLUE			
68-855C		FASTENER			
G043-68-865B	1				
00	INT-	FE1 FE0 FD8 BLACK			
48	INT-	FD9 BLUE			
68-865		FASTENER			
*G032-68-865A	14				
* 00	INT-	FD8 FE1 BLACK			
09	INT-	FD8 FD9 FE0 FE1 DARK GRAY			

AUFA03

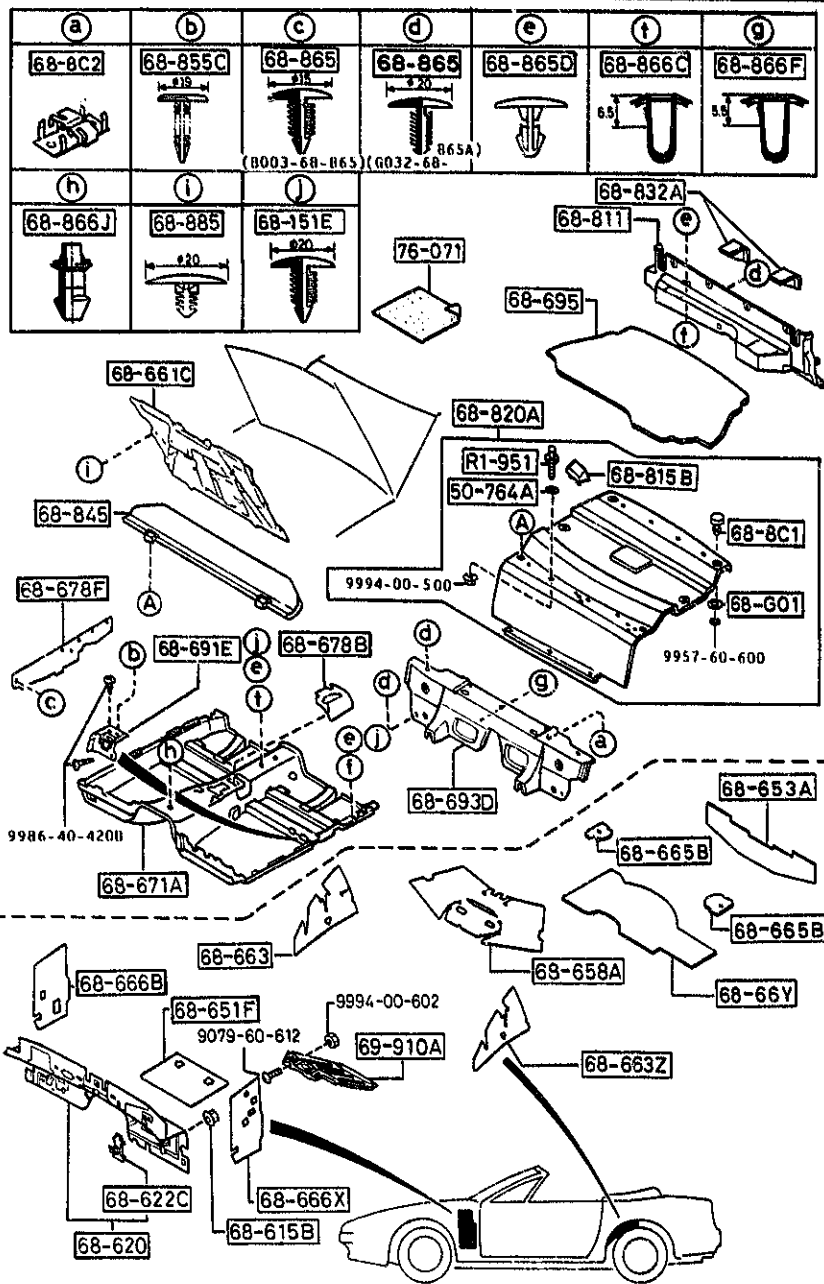
CAT. AUFA03-07

1993-12

4-K10

6860A FLOOR MATS & PADS
(CONVERTIBLE)

6860A -4 * FLOOR MATS & PADS
(CONVERTIBLE)



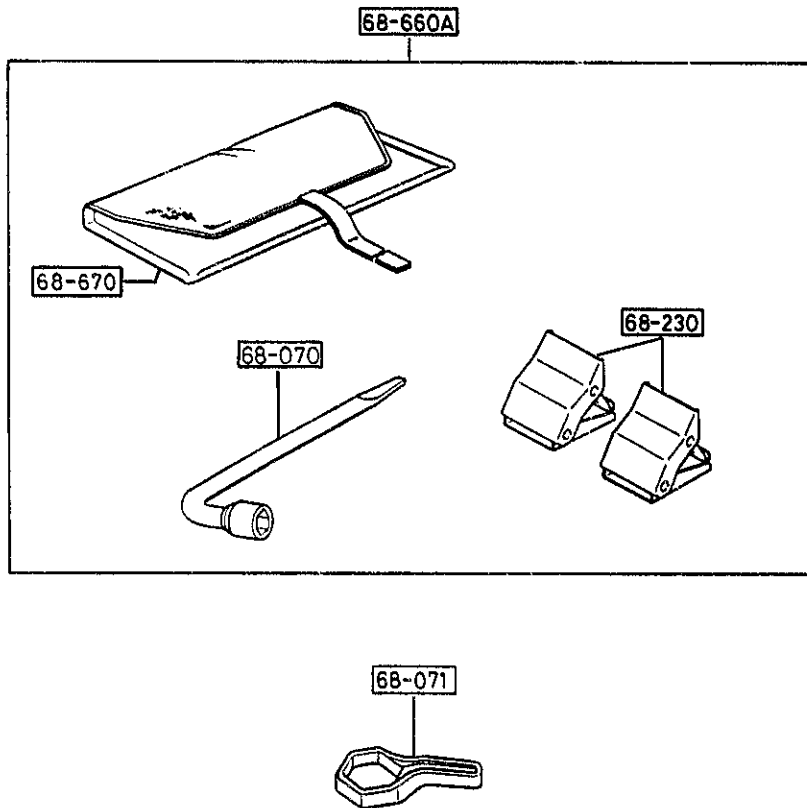
PART NO.	QTY	MODEL/RESTRICTION	MODEL/RESTRICTION	MODEL/RESTRICTION	FROM-YO
CONT'D					
* 48	INT-	FD9 BLUE			
B003-68-865	11				-1A01
65	INT-	FD8 FD9 FE0 FE1 OFF-BLACK			1A01-
B003-68-865	7				
65	INT-	FD8 FD9 FE0 FE1 OFF-BLACK			
68-865D		FASTENER			
S083-68-865A	12				-1A01
09	INT-	FD8 FE1 FE0 FD9 DARK GRAY			
48	INT-	FD9 BLUE			
*S083-68-865A	3				1A01-
09	INT-	FD8 FE1 FE0 FD9 DARK GRAY			
48	INT-	FD9 BLUE			
68-866C		FASTENER, SEAL			
B235-68-865A	7				-1A01
B235-68-865A	3				1A01-
68-866F		FASTENER, SEAL			
G031-68-866B	2				
68-866J		FASTENER, SEAL			
FB01-68-866	1				
68-885		FASTENER			
G030-68-885C	16				
00	INT-	FD8 FD9 FE1 BLACK			
69-910A		SUPPORT, FOOT			
FB01-69-697A	1				
76-071		SILENCER, FLOOR			
0208-76-071	1	30CMX30CM			

AUFA03

CAT. AUFA03-07

1993-12

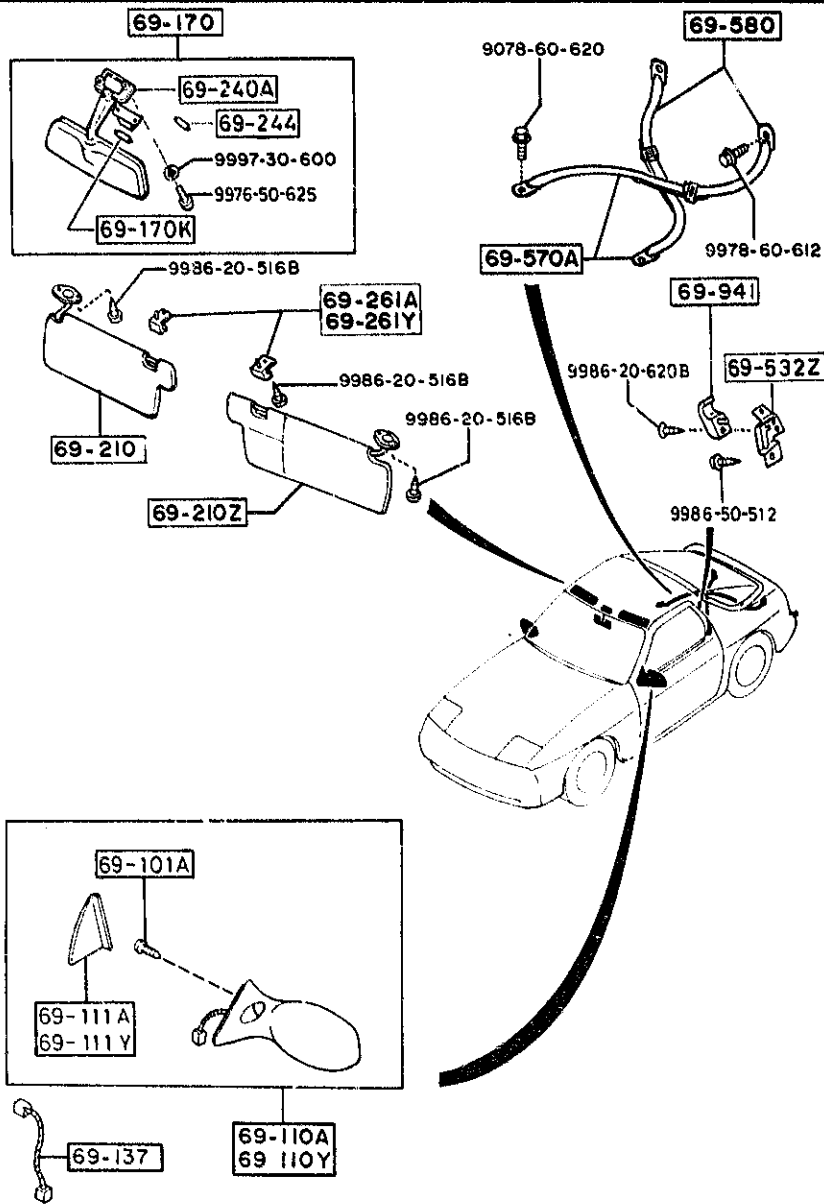
4-L10



PART NO.	QTY	MODEL/RESTRICTION	MODEL/RESTRICTION	MODEL/RESTRICTION	FROM TO
68-070		WRENCH, HUB NUT			
0810-68-070E	1				
68-071		WRENCH, WHEEL CAP			
F057-68-071	1				
68-230		STOPPER, WHEEL			
0208-68-230	2				
68-660A		TOOL SET			
FB01-69-650A	1				
68-670		BAG, TOOL			
FB01-69-670A	1				

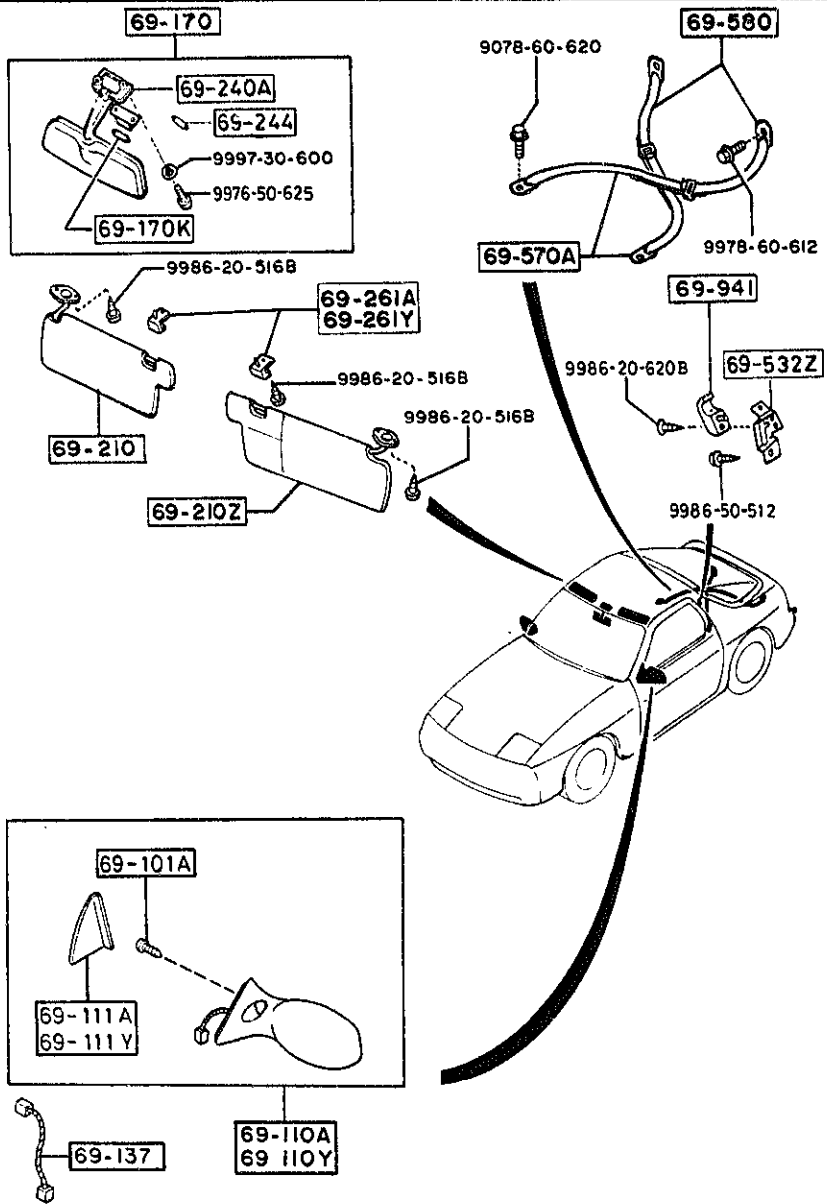
6900 VISORS, ASSIST HANDLES & MIRRORS
(COUPE)

6900 -1 VISORS, ASSIST HANDLES & MIRRORS
(COUPE)



PART NO.	QTY	MODEL/RESTRICTION	MODEL/RESTRICTION	MODEL/RESTRICTION	FROM TO
69-101A		SCREW, DOOR MIRROR			
G032-69-126	6	ICHIKO			
69-110A		MIRROR(R), DOOR			
FC01-69-110	1				
PZ	EXT-	PZ BRILLIANT BLACK			
SQ	EXT-	SQ BLAZE RED			
UC	EXT-	UC CRYSTAL WHITE			
5N	EXT-	5N BRAVE BLUE MC			
69-110Y		MIRROR(L), DOOR			
FC01-69-170	1				
PZ	EXT-	PZ BRILLIANT BLACK			
SQ	EXT-	SQ BLAZE RED			
UC	EXT-	UC CRYSTAL WHITE			
5N	EXT-	5N BRAVE BLUE MC			
69-111A		GARNISH(R), SAIL-IN.			
F045-69-112A	1				
69-111Y		GARNISH(L), SAIL-IN.			
F045-69-172A	1				
69-137		WIRE, REMOCON. MIRROR			
F045-69-108A	2				
69-170		MIRROR, INTERIOR			
FB35-69-220F	1				
00	INT-	FD8 FD9 FE0 BLACK			
69-170K		BULB, INTERIOR MIRROR			
99700-5100	1	12V 10W			
69-210		SUN VISOR(R)			
FC02-69-270	1	(W/O SUN-RF)			
02	INT-	FD8 BLACK			
48	INT-	FD9 BLUE			

6900 VISORS, ASSIST HANDLES & MIRRORS (COUPE)



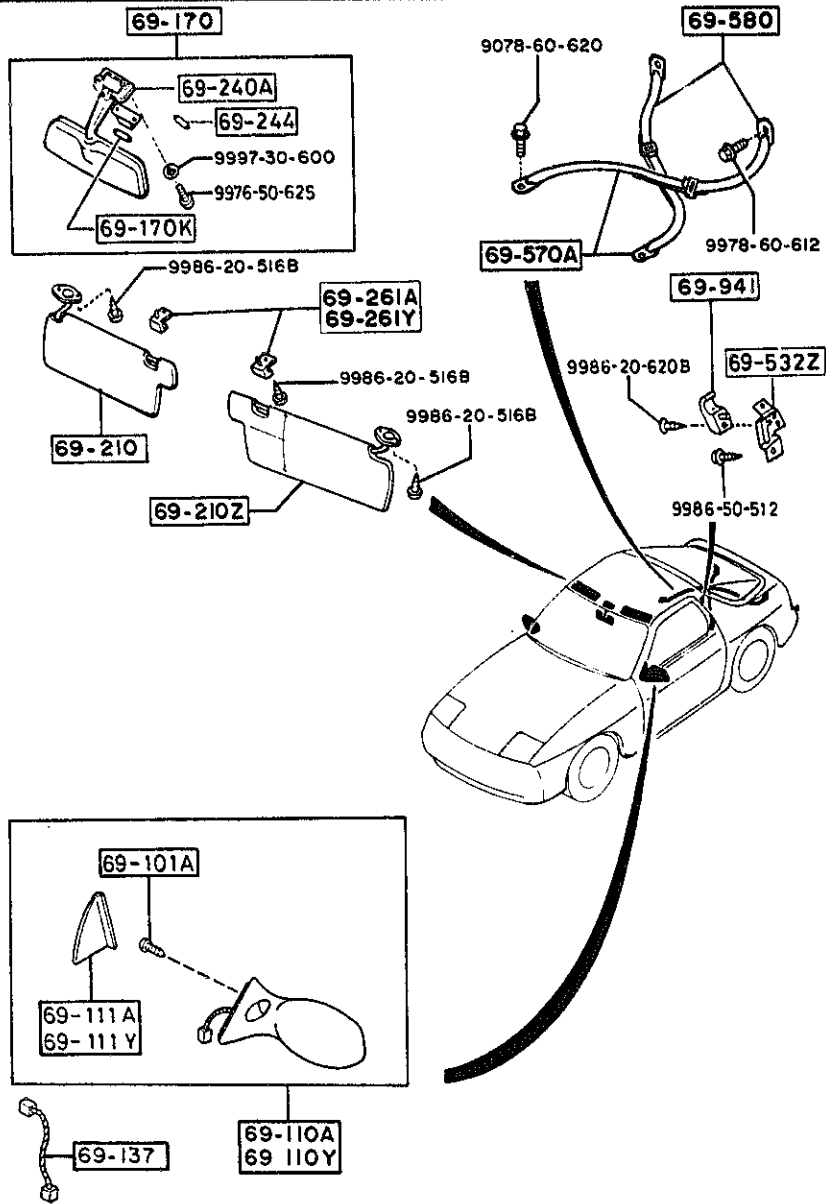
6900 -2 VISORS, ASSIST HANDLES & MIRRORS (COUPE)

PART NO.	QTY	MODEL/RESTRICTION	MODEL/RESTRICTION	MODEL/RESTRICTION	FROM-TO
CONT'D					
FC04-69-270	1	(SUNROOF)			
02	INT-	FD8 BLACK			
48	INT-	FD9 BLUE			
69-210Z		SUN VISOR(L)			
FC01-69-320	1	(W/O SUN-RF)			
02	INT-	FD8 BLACK			
48	INT-	FD9 BLUE			
FC03-69-320	1	(SUNROOF)			
02	INT-	FD8 BLACK			
48	INT-	FD9 BLUE			
69-240A		BASE, INTERIOR MIRROR			
FB10-69-240	1				
69-244		PIN, INTERIOR MIRROR			
FB10-69-244	2				
69-261A		ADAPTER(R), CTR-SUN V ISOR (W/O SUN-RF)			
FB01-69-261	1				
02	INT-	FD8 FE1 BLACK			
48	INT-	FD9 BLUE			
FB03-69-261	1	(SUNROOF)			
02	INT-	FD8 FE1 BLACK			
48	INT-	FD9 BLUE			
69-261Y		ADAPTER(L), CTR-SUN V ISOR (W/O SUN-RF)			
FB01-69-262	1				
02	INT-	FD8 FE1 BLACK			
48	INT-	FD9 BLUE			
FB03-69-262	1	(SUNROOF)			
02	INT-	FD8 FE1 BLACK			
48	INT-	FD9 BLUE			
69-532Z		BRKT(L), COAT HANGER			
FC01-69-542	1				

6900

VISORS, ASSIST HANDLES & MIRRORS
(COUPE)

6900 -3 * VISORS, ASSIST HANDLES & MIRRORS
(COUPE)



PART NO.	QTY	MODEL/RESTRICTION	MODEL/RESTRICTION	MODEL/RESTRICTION	FROM-TO
69-570A		STRAP 'A', CARGOROOM			
FA54-69-571	2	(SUNROOF)			
00	INT-	FD8 BLACK			
48	INT-	FD9 BLUE			
69-580		STRAP 'B', CARGOROOM			
FA54-69-572	2	(SUNROOF)			
00	INT-	FD8 BLACK			
48	INT-	FD9 BLUE			
69-941		HANGER, COAT			
FB01-69-531	1				
02	INT-	FD8 FE1 BLACK			
48	INT-	FD9 BLUE			

AUFA03

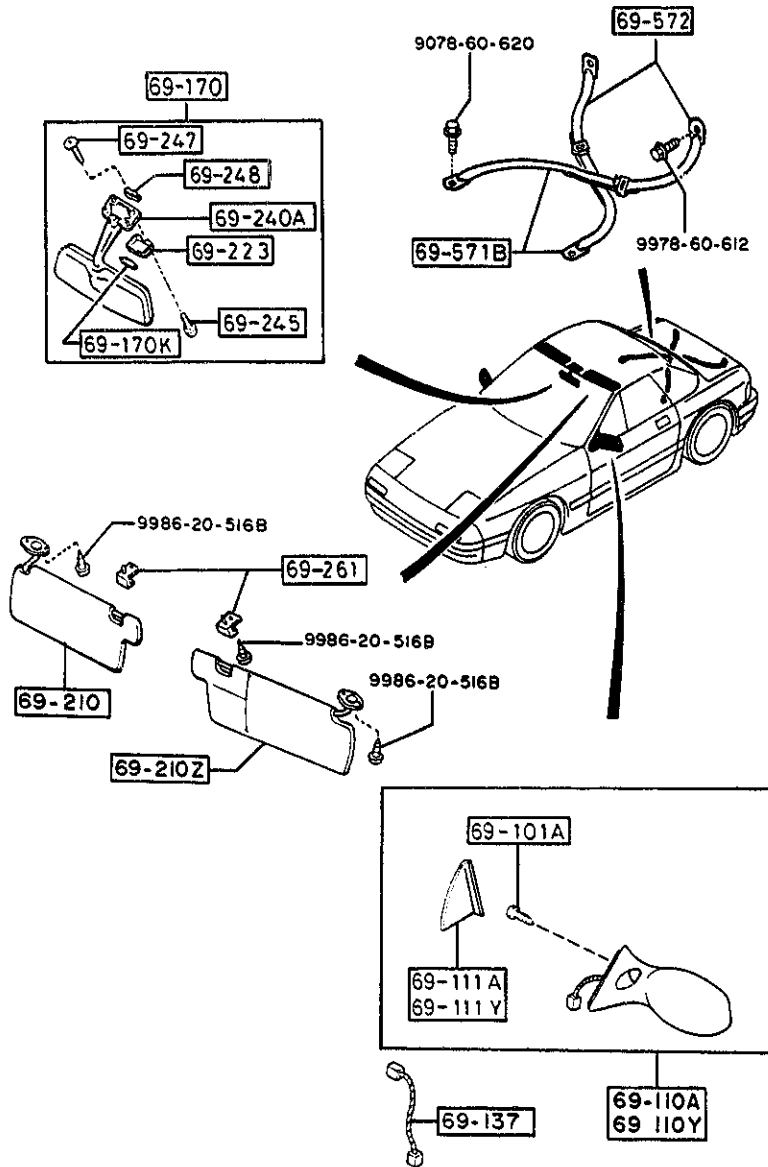
CAT. AUFA03-07

1993-12

4-D11

6900A VISORS, ASSIST HANDLES & MIRRORS
(CONVERTIBLE)

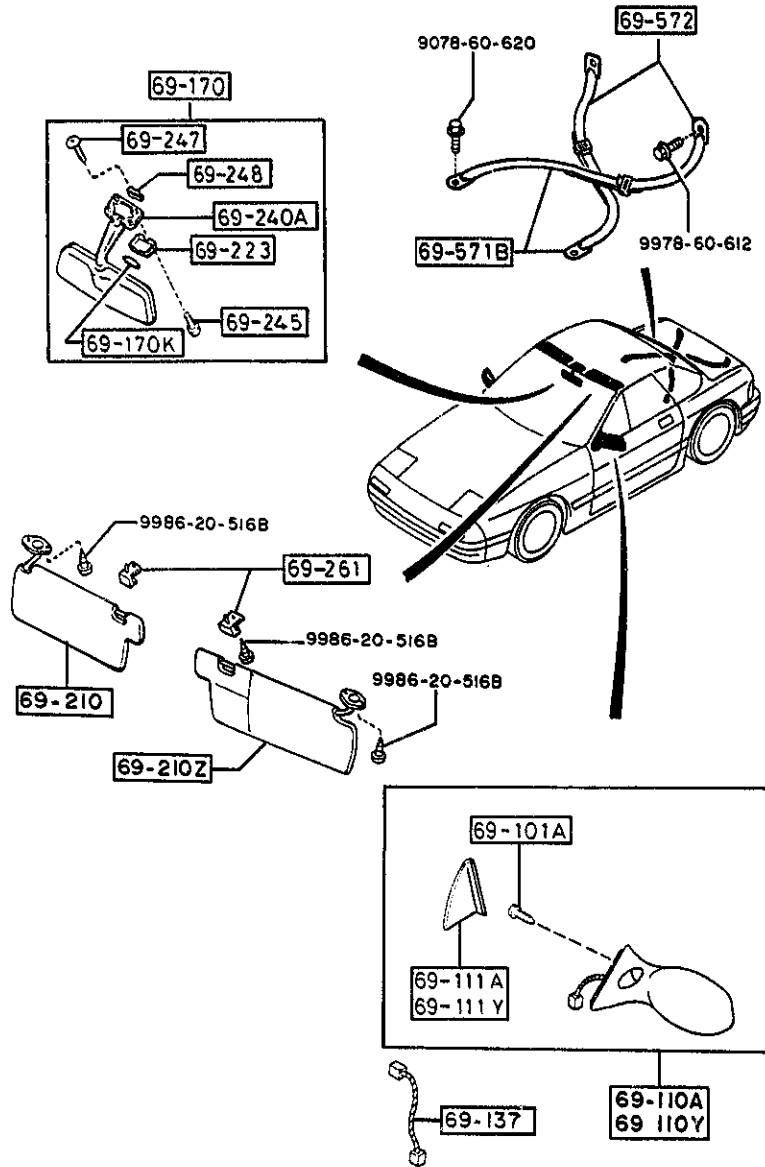
6900A -1 VISORS, ASSIST HANDLES & MIRRORS
(CONVERTIBLE)



PART NO.	QTY	MODEL/RESTRICTION	MODEL/RESTRICTION	MODEL/RESTRICTION	FROM-TO
69-101A		SCREW, DOOR MIRROR			
G032-69-126	6	ICHIKO			
69-110A		MIRROR(R), DOOR			
FC01-69-110	1				
PZ	EXT-	PZ BRILLIANT BLACK			
SQ	EXT-	SQ BLAZE RED			
UC	EXT-	UC CRYSTAL WHITE			
5N	EXT-	5N BRAVE BLUE MC			
69-110Y		MIRROR(L), DOOR			
FC01-69-170	1				
PZ	EXT-	PZ BRILLIANT BLACK			
SQ	EXT-	SQ BLAZE RED			
UC	EXT-	UC CRYSTAL WHITE			
5N	EXT-	5N BRAVE BLUE MC			
69-111A		GARNISH(R), SAIL-IN.			
F045-69-112A	1				
69-111Y		GARNISH(L), SAIL-IN.			
F045-69-172A	1				
69-137		WIRE, REMOCON. MIRROR			
F045-69-108A	2				
69-170		MIRROR, INTERIOR			
FB68-69-220B	1				
02	INT-	FD8 FE1 BLACK			
48	INT-	FD9 BLUE			
69-170K		BULB, INTERIOR MIRROR			
99700-5100	1	12V 10W			
69-210		SUN VISOR(R)			
FB67-69-270A	1				
02	INT-	FD8 FE1 BLACK			

6900A VISORS, ASSIST HANDLES & MIRRORS
(CONVERTIBLE)

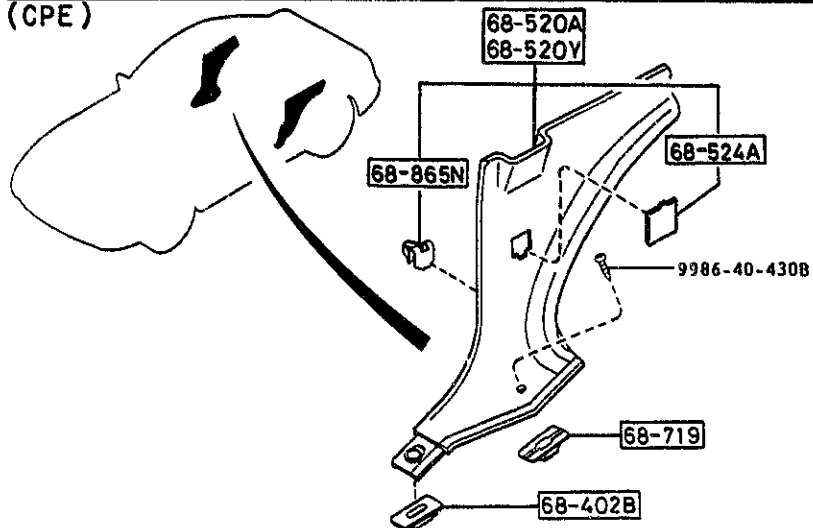
6900A -2 * VISORS, ASSIST HANDLES & MIRRORS
(CONVERTIBLE)



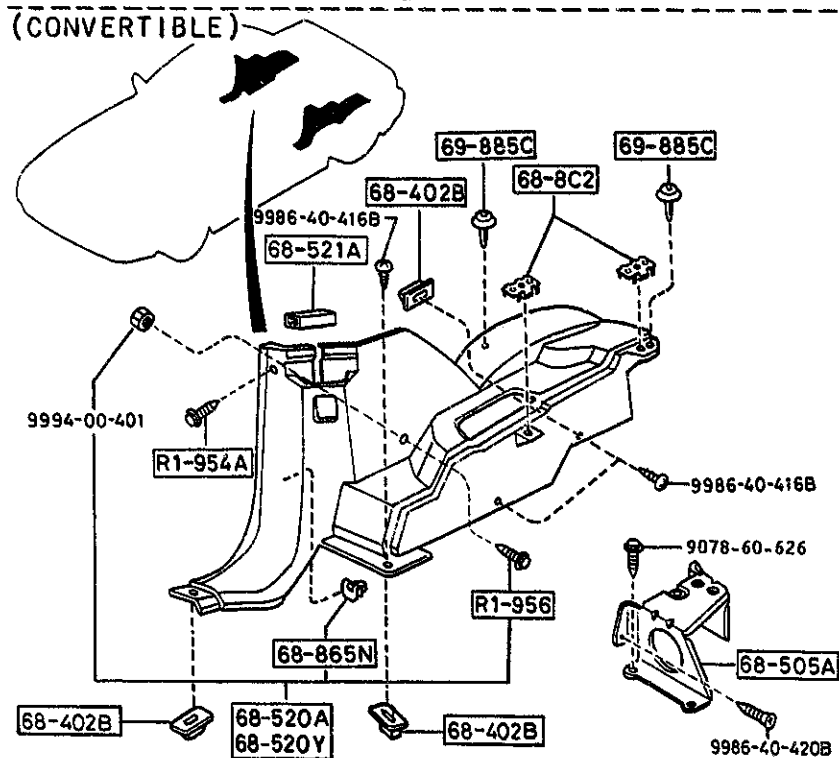
PART NO.	QTY	MODEL/RESTRICTION	MODEL/RESTRICTION	MODEL/RESTRICTION	FROM-TO
CONT'D					
48	INT-	FD / BLUE			
69-210Z		SUN VISOR(L)			
FC66-69-320A	1				
02	INT-	FD8 FE1 BLACK			
48	INT-	FD9 BLUE			
69-223		LENS, INTERIOR LAMP			
FB67-69-233	1				
69-240A		BASE, INTERIOR MIRROR			
FB67-69-240	1				
02	INT-	FD8 FE1 BLACK			
48	INT-	FD9 BLUE			
69-245		SCREW, INTERIOR MIRROR			
FB67-69-245	2				
69-247		HOLDER, PIN			
FB67-69-247	1				
69-248		SPRING, INTERIOR MIRROR			
FB67-69-248	1				
69-261		ADAPTER, SUN VISOR			
H260-69-261	2				
02	INT-	FD8 FE1 BLACK			
48	INT-	FD9 BLUE			
69-571B		STRAP 'A', L/CPMT			
FB67-69-571	2				
69-572		STRAP 'B', L/CPMT			
FB67-69-572	2				

7250 QUARTER WINDOW & TRIMS

(CPE)



(CONVERTIBLE)



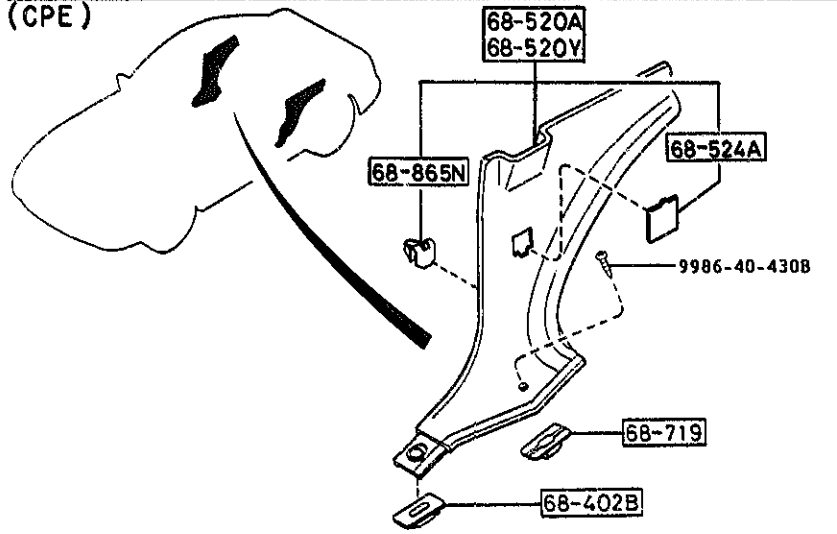
AUFA03

PART NO.	QTY	MODEL/RESTRICTION	MODEL/RESTRICTION	MODEL/RESTRICTION	FROM TO
R1-954A		HOOK, SCREW-QTR TRIM			
FB67-R1-954A	2	(CONVERTIBLE)			
R1-956		HOOK, SCREW-QTR TRIM			
FB67-R1-956A	2	(CONVERTIBLE)			
68-402B		GROMMET, SCREW			
FA54-68-719B	2	(CPE)			
FA54-68-719B	8	(CONVERTIBLE)			
68-505A		BRACKET, QUARTER TRIM			
FB67-68-505B	1	(CONVERTIBLE)			
68-520A		TRIM(R), QUARTER			
FB67-68-520E	1	(CONVERTIBLE)			
02	INT-	FD8 FE1 BLACK			
48	INT-	FD9 BLUE			
FC01-68-520A	1	(CPE)			
02	INT-	FD8 FE1 BLACK			
48	INT-	FD9 BLUE			
68-520Y		TRIM(L), QUARTER			
FB67-68-550E	1	(CONVERTIBLE)			
02	INT-	FD8 FE1 BLACK			
48	INT-	FD9 BLUE			
FC01-68-550A	1	(CPE)			
02	INT-	FD8 FE1 BLACK			
48	INT-	FD9 BLUE			
68-521A		CLIP, QUARTER TRIM			
FB67-68-523	2	(CONVERTIBLE)			
68-524A		COVER, HOLE-QTR TRIM			
FC01-68-524	2	(CPE)			
02	INT-	FD8 FE1 BLACK			
48	INT-	FD9 BLUE			
68-719		GROMMET, SCREW			

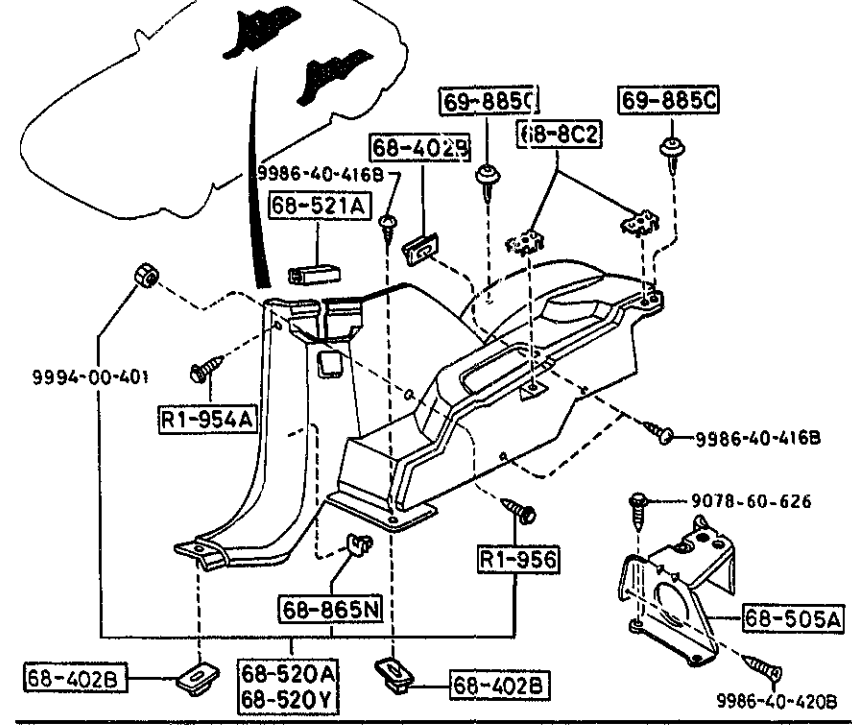
CAT. AUFA03-07

1993-12

(CPE)

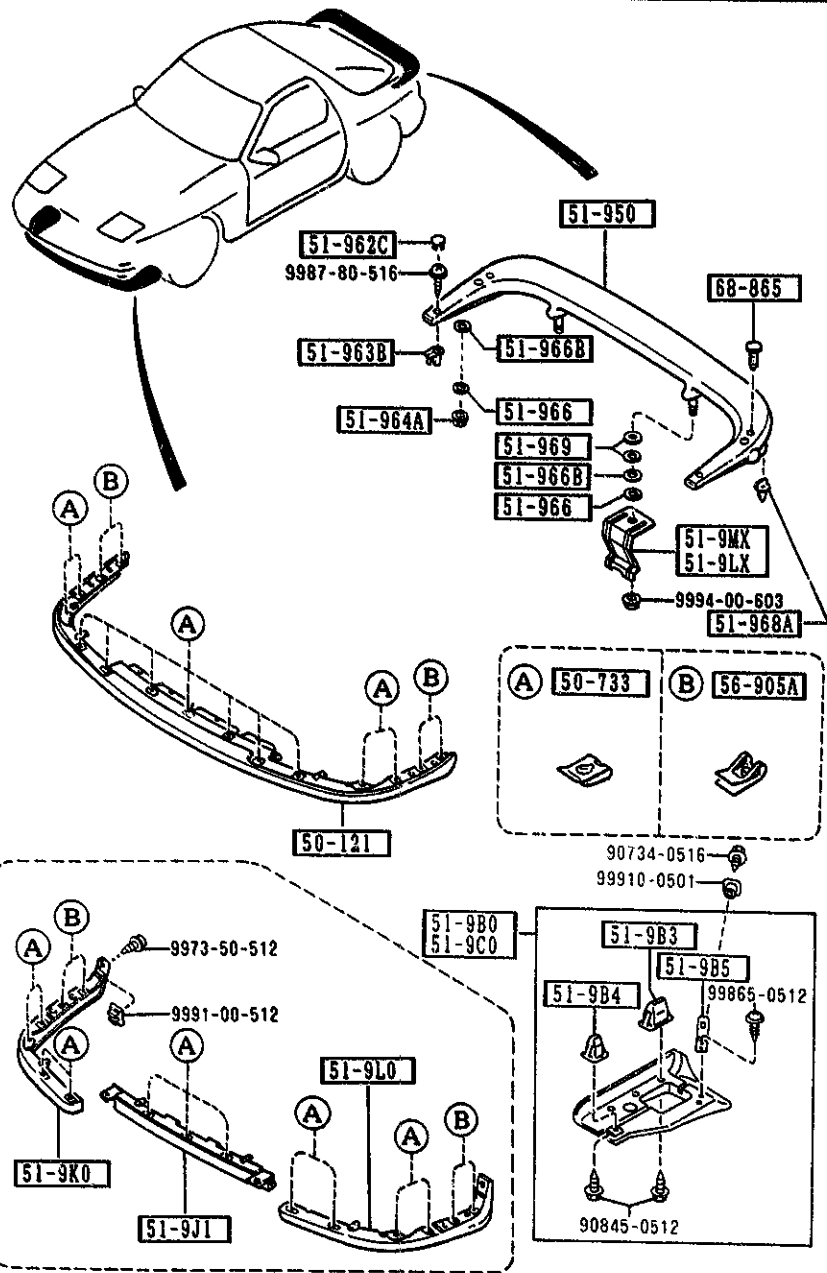


(CONVERTIBLE)



PART NO.	QTY	MODEL/RESTRICTION	MODEL/RESTRICTION	MODEL/RESTRICTION	FROM-TO
CONT'D FB01-68-719	2	(CPE)			
68-8C2		NUT, EXPANSION			
FB67-68-8C2	4	(CONVERTIBLE)			
68-865N		CLIP, TRIM			
H002-68-865	6	(CPE)			
*H002-68-865	14	(CONVERTIBLE)			
69-885C		FASTENER			
UB54-68-885	4	(CONVERTIBLE)			
00	INT-	FD8 FD9 FE1 BLACK			
48	INT-	FD9 BLUE			

4-J11



PART NO.	QTY	MODEL/RESTRICTION	MODEL/RESTRICTION	MODEL/RESTRICTION	FROM-TO
50-121		DAM,AIR-SKIRT			
FC17-51-9H0A	1	(TURBO)			
PZ	EXT-	PZ BRILLIANT BLACK			
SQ	EXT-	SQ BLAZE RED			
UC	EXT-	UC CRYSTAL WHITE			
5N	EXT-	5N BRAVE BLUE MC			
50-733		NUT,SPRING-AIR DAM S			
FB01-50-733	11	KIRT			
51-9B0		SPOILER(R),SIDE			
FB01-51-9B0A	1	(<'92 MODEL)			
51-9B3		GROMMET,SCREW-S.SPLR			
FB01-51-9B3	6	'C' (<'92 MODEL)			
51-9B4		GROMMET,SCREW-S.SPLR			
FB01-51-9B4	2	'A' (<'92 MODEL)			
51-9B5		GROMMET,SCREW-S.SPLR			
FB01-51-9B5	2	'B' (<'92 MODEL)			
51-9C0		SPOILER(L),SIDE			
FB01-51-9C0A	1	(<'92 MODEL)			
51-9J1		DAM(C),AIR-SKIRT			
FC01-51-9J1A	1				
51-9K0		SKIRT(R),FRONT AIR D			
FC01-51-9K1A	1	AM			
51-9LX		STIFFENER(L),REAR SP			
FB02-51-9LXB	1	OILER			
51-9L0		SKIRT(L),FRONT AIR D			
FC01-51-9L1A	1	AM			
51-9MX		STIFFENER(R),REAR SP			
FB02-51-9MxB	1	OILER			

AUFA03

CAT. AUFA03-07

1993-12

4-K11

