

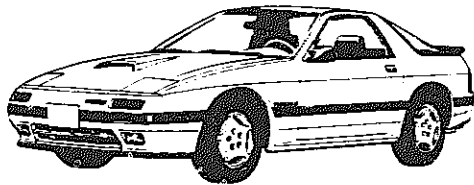
This file is available for free download at <http://www.iluvmyrx7.com>



www.iluvmyrx7.com

Parts Catalog

Mazda RX-7
U.S.A.
('89 ▶ '90)



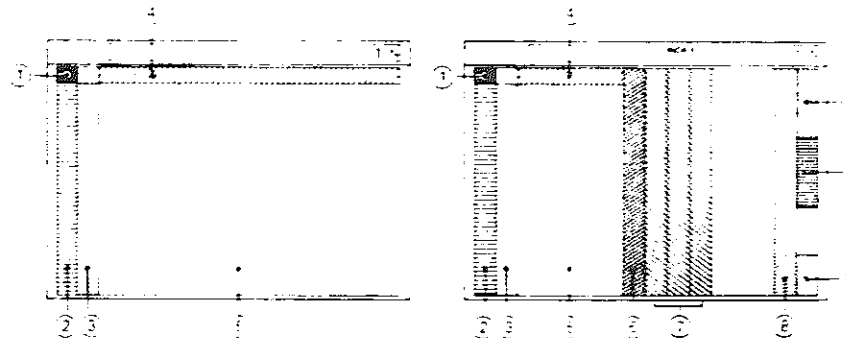
FC3-***700001 - 900000

May '92 (FINAL)
Catalog No. AU-FA02-06

MAZDA
© 1992 Mazda Motor Corporation


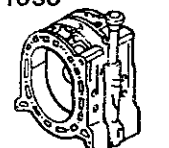

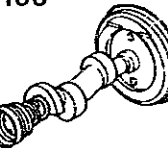


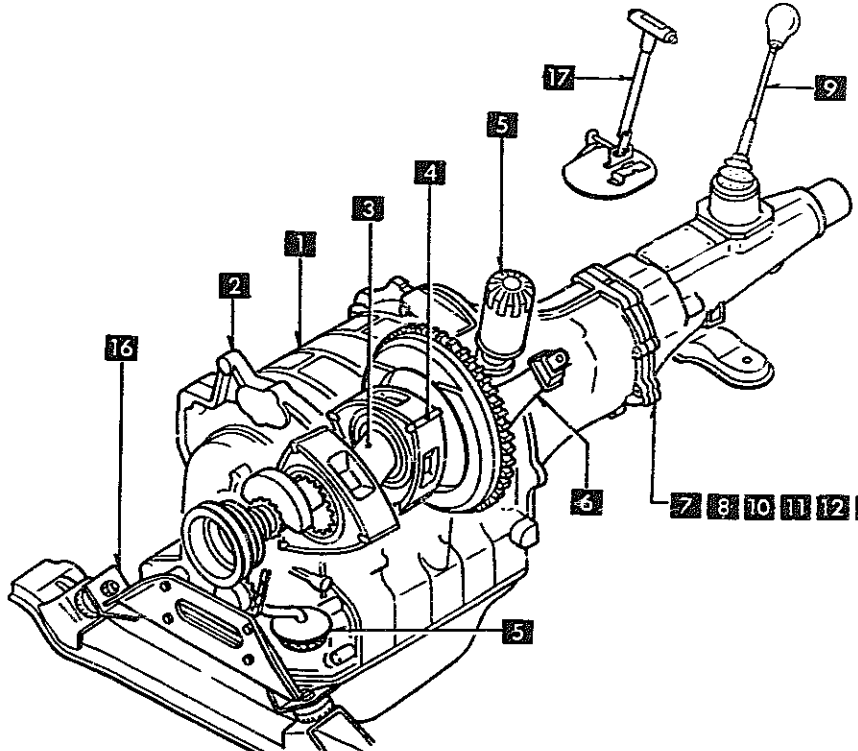
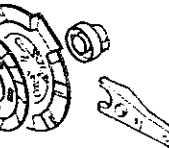
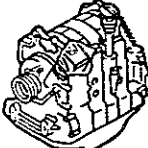
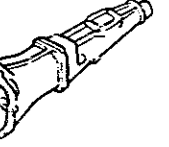

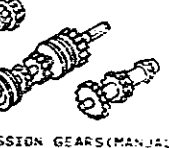
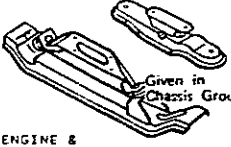
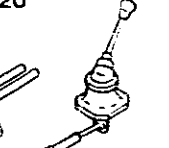
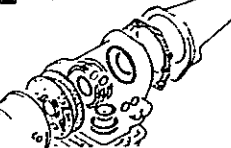
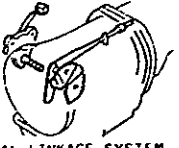
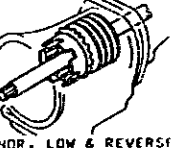
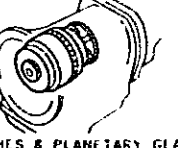
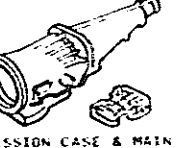
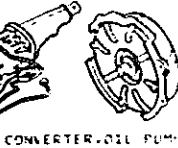
LAYOUT OF CONTENTS

The following is a typical example of the layout of contents of Mazda microfiche parts catalog.



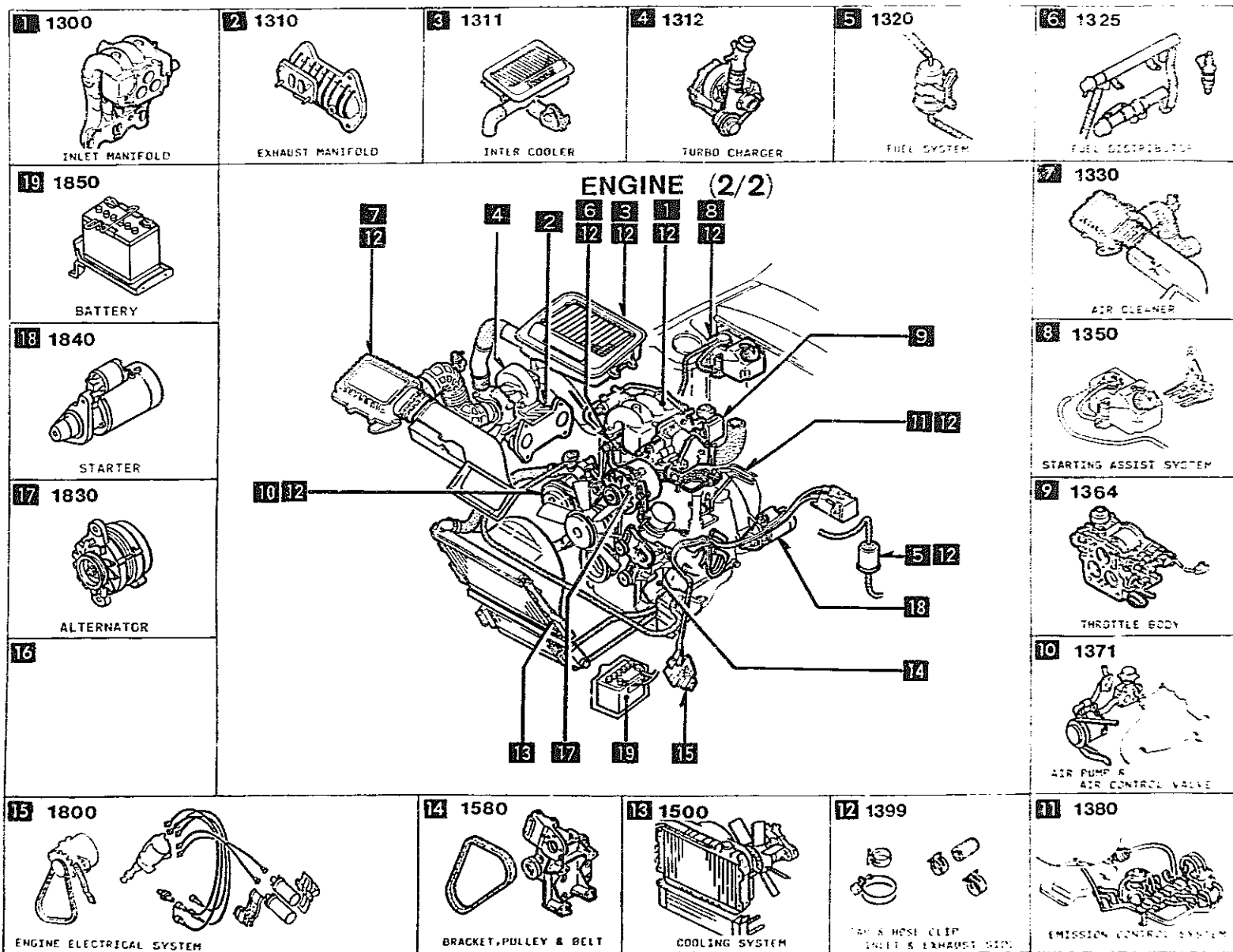
- | | | |
|---------------------------------------|--------------------------|-----------------------------------|
| 1 - Layout of contents | 2 - Pictorial Index | 3 - Master Section No. Index |
| 4 - Section No. Index for the Columns | 5 - Illustration & Text | 6 - Part No. Index |
| 7 - Alphabetical Index | 8 - Model Identification | 9 - Vehicle Identification System |

PICTORIAL INDEX

<p>1000</p>  <p>ROTOR HOUSINGS</p>	<p>1 1030</p>  <p>ROTOR HOUSINGS</p>	<p>2 1040</p>  <p>OIL PAN, FRONT & REAR HOUSING</p>	<p>3 1100</p>  <p>ECCENTRIC SHAFT & FLYWHEEL</p>	<p>4 1110</p>  <p>ROTOR & RELATED PARTS</p>	<p>5 1400</p>  <p>OIL PUMP & FITTINGS</p>	
<p>ENGINE (1/2)</p> 						<p>6 1600</p>  <p>CLUTCH DISC & COVER (MANUAL)</p>
<p>SHORT ENGINE & GASKET SETS</p> 					<p>7 1700</p>  <p>TRANSMISSION CASE (MANUAL)</p>	
<p>17 4600</p> <p>Given in Chassis Group</p>  <p>CHANGE CONTROL SYSTEM</p>					<p>8 1710</p>  <p>TRANSMISSION GEARS (MANUAL)</p>	
<p>16 3900</p> <p>Given in Chassis Group</p>  <p>ENGINE & TRANSMISSION MOUNTINGS</p>					<p>9 1720</p>  <p>CHANGE CONTROL SYSTEM (MANUAL)</p>	
<p>15 1960</p>  <p>GASKET & SEAL KIT (AUTOMATIC)</p>	<p>14 1950</p>  <p>MANUAL LINKAGE SYSTEM (AUTOMATIC)</p>	<p>13 1940</p>  <p>GOVERNOR, LOW & REVERSE PISTON (AUTOMATIC)</p>	<p>12 1930</p>  <p>CLUTCHES & PLANETARY GEARS (AUTOMATIC)</p>	<p>11 1920 1925</p>  <p>TRANSMISSION CASE & MAIN CONTROL SYSTEM (AUTOMATIC)</p>	<p>10 1910</p>  <p>TORQUE CONVERTER, OIL PUMP & PIPINGS (AUTOMATIC)</p>	

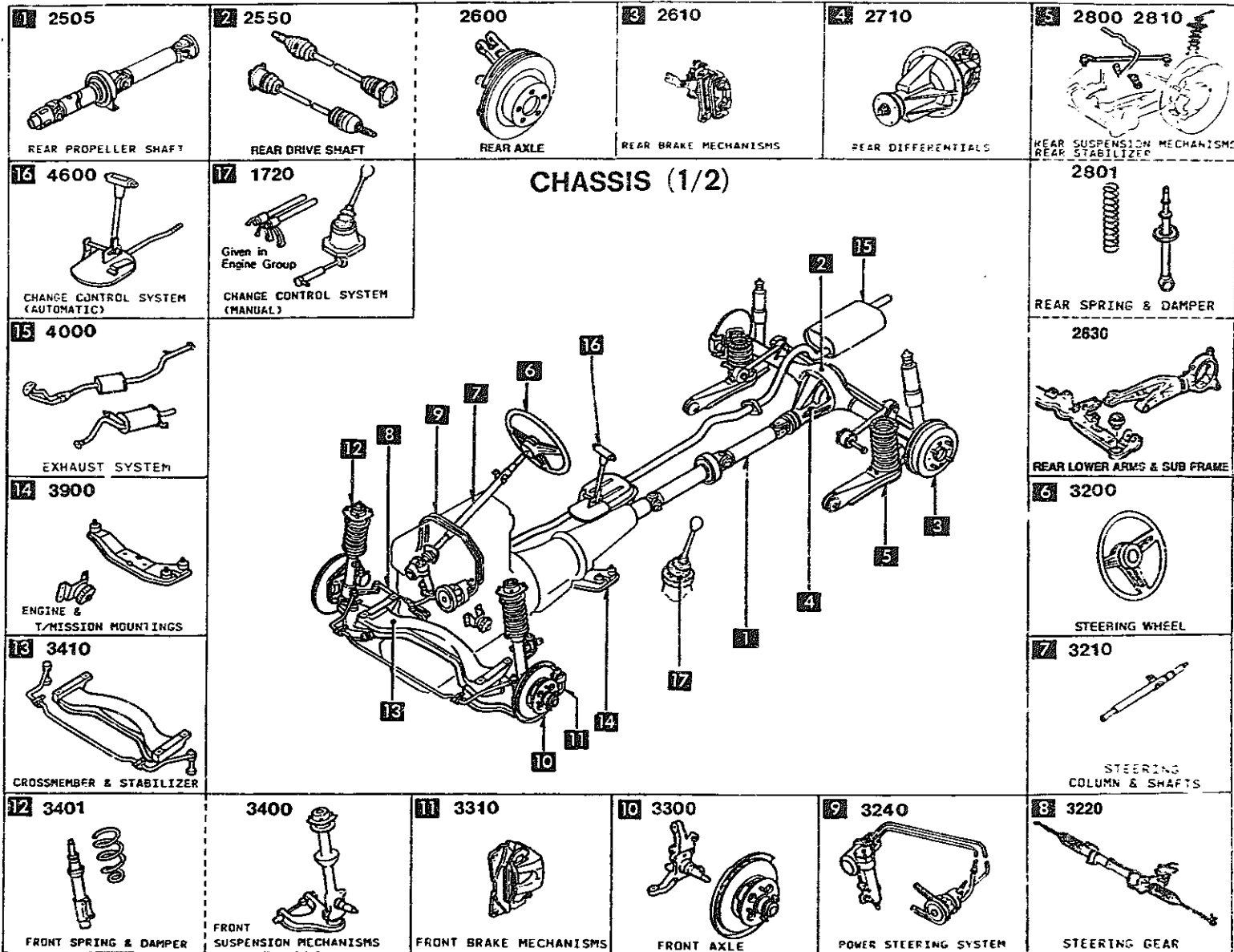
As this illustration is prepared to be applicable to all models, some parts are different in specifications from the parts listed in this parts Catalog

PICTORIAL INDEX



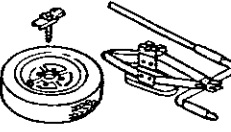

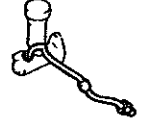

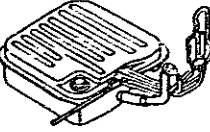
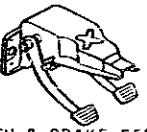
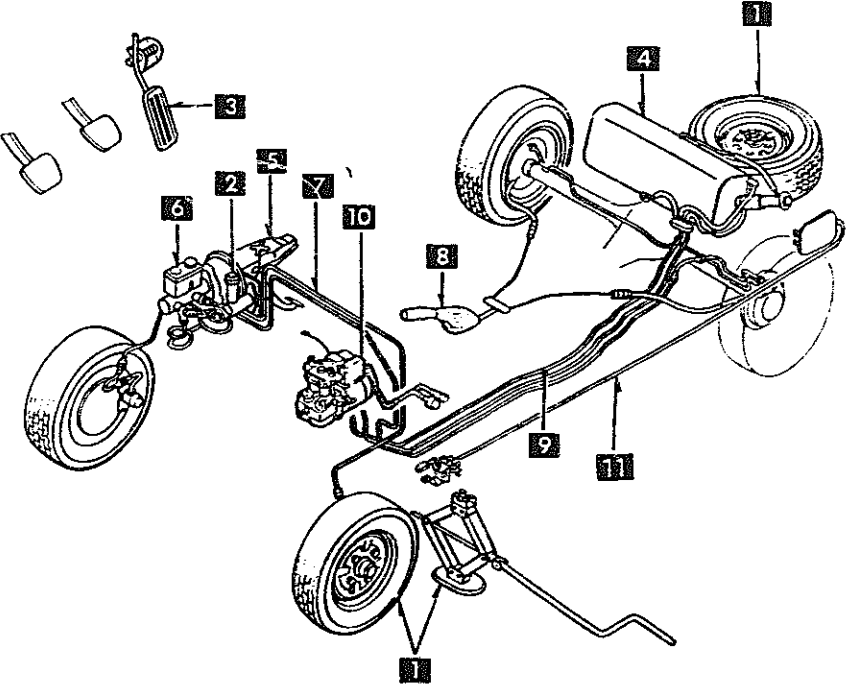
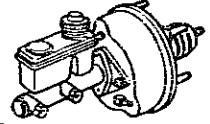

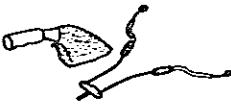
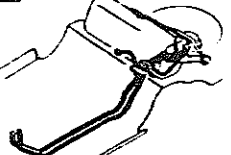
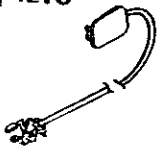
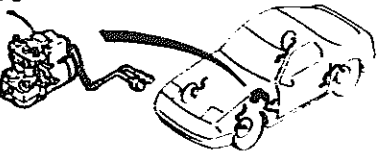
As this illustration is prepared to be applicable to all models, some parts are different in specifications from the parts listed in this parts Catalog

PICTORIAL INDEX

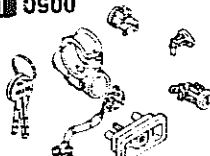
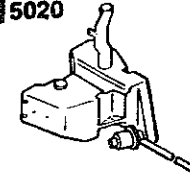

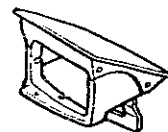
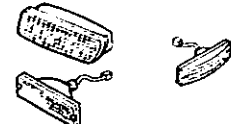
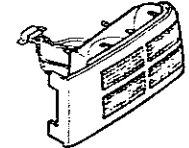
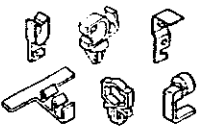
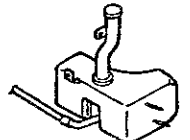
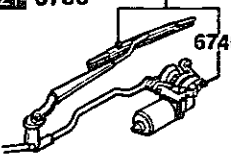
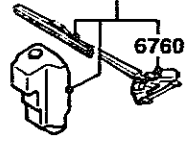
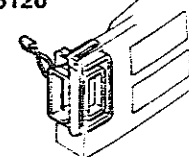

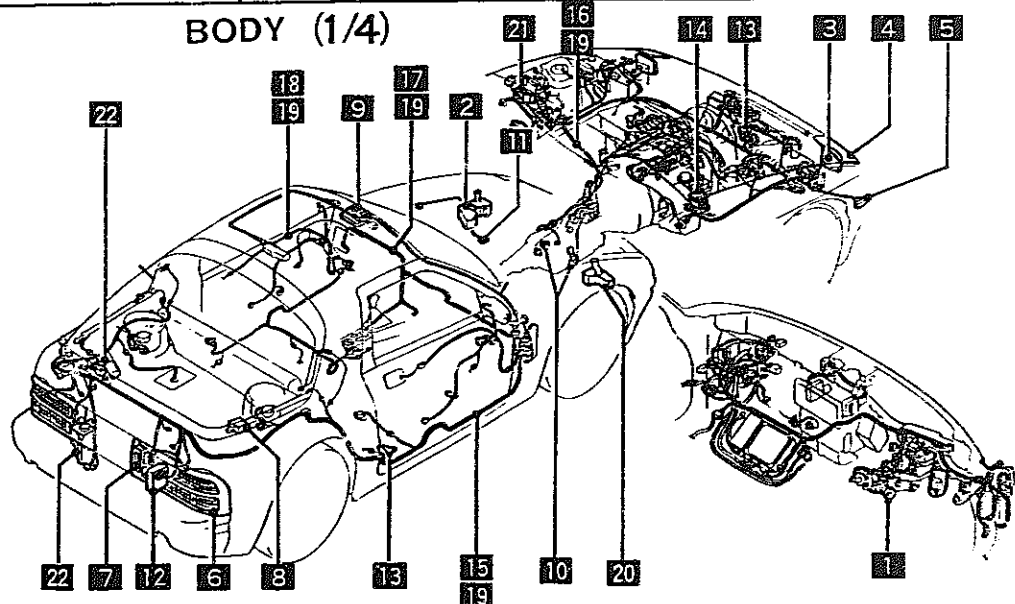
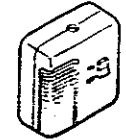
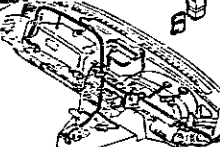
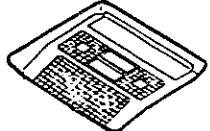



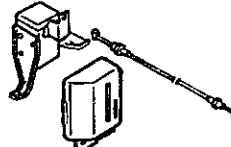


As this illustration is prepared to be applicable to all models, some parts are different in specifications from the parts listed in this parts Catalog.

PICTORIAL INDEX

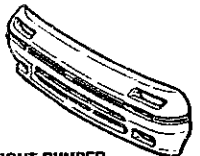



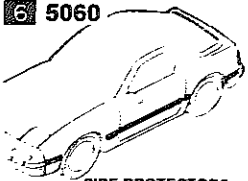



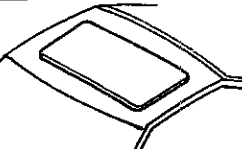
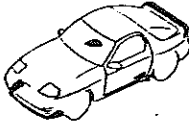
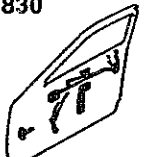
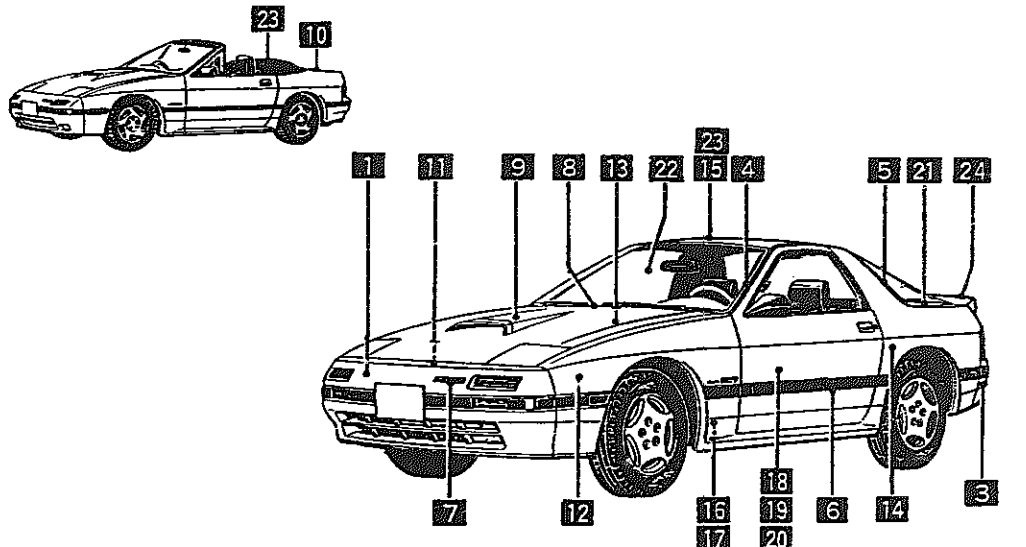


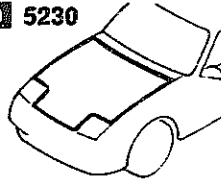
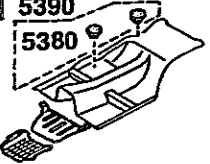


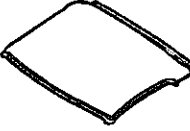
<p>1 3700</p>  <p>TIRES & JACK</p>	<p>2 4140</p>  <p>CLUTCH RELEASE & MASTER CYLINDERS (MANUAL TRANSMISSION)</p>	<p>4145</p>  <p>CLUTCH PIPINGS (MANUAL TRANSMISSION)</p>	<p>3 4160</p>  <p>ACCELERATOR CONTROL SYSTEM</p>	<p>4 4200</p>  <p>FUEL TANK</p>	<p>5 4300</p>  <p>CLUTCH & BRAKE PEDALS (MANUAL TRANSMISSION)</p>
<p>CHASSIS (2/2)</p>  <p>As this illustration is prepared to be applicable to all models, some parts are different in specifications from the parts listed in this parts Catalog</p>					
<p>6 4340</p>  <p>BRAKE MASTER CYLINDER & POWER BRAKE</p> <p>7 4360</p>  <p>BRAKE PIPINGS</p> <p>8 4400</p>  <p>PARKING BRAKE SYSTEM</p> <p>9 4500</p>  <p>FUEL PIPINGS</p> <p>11 4210</p>  <p>FUEL LID OPENER</p> <p>10 4370</p>  <p>ANTILOCK BRAKE SYSTEM</p>					

PICTORIAL INDEX

<p>1 0900</p>  <p>KEY SETS</p>	<p>2 5020</p>  <p>HEAD LAMP CLEANER</p>	<p>3 5100</p>  <p>HEAD LAMPS</p>	<p>4 5103</p>  <p>HEAD LAMP RETRACTORS</p>	<p>5 5105</p>  <p>FRONT COMBINATION LAMPS</p>	<p>6 5110</p>  <p>REAR COMBINATION LAMPS</p>
<p>19 6704</p>  <p>WIRING HARNESS CLAMPS</p>	<p>20 6720</p>  <p>WINDSHIELD WASHER</p>	<p>21 6730</p>  <p>WINDSHIELD WIPERS</p>	<p>22 6750</p>  <p>WINDOW WIPER & WASHER (REAR)</p>		<p>7 5120</p>  <p>LICENSE LAMPS</p>
<p>18 6703</p>  <p>WIRING HARNESSES (DOOR, FLOOR/CEILING)</p>	<p style="text-align: center;">BODY (1/4)</p> 				<p>8 5125</p>  <p>INTERIOR LAMPS</p>
<p>17 6702</p>  <p>WIRING HARNESSES (DASHBOARD)</p>					<p>9 5130</p>  <p>OVERHEAD CONSOLE</p>
<p>16 6701</p>  <p>WIRING HARNESSES (ENGINE & TRANSMISSION)</p>					<p>10 6600</p>  <p>SWITCHES & RELAYS (ENGINE)</p>
<p>15 6700</p>  <p>WIRING HARNESSES (FRONT & REAR)</p>					<p>14 6640</p>  <p>AUTO CRUISE CONTROL SYSTEM</p>

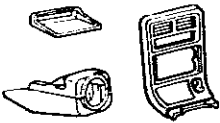
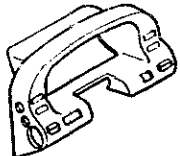
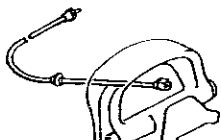
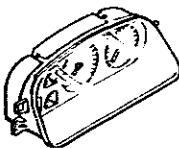
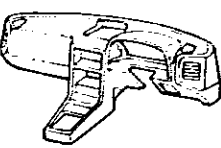
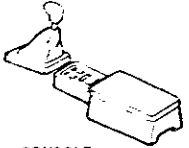
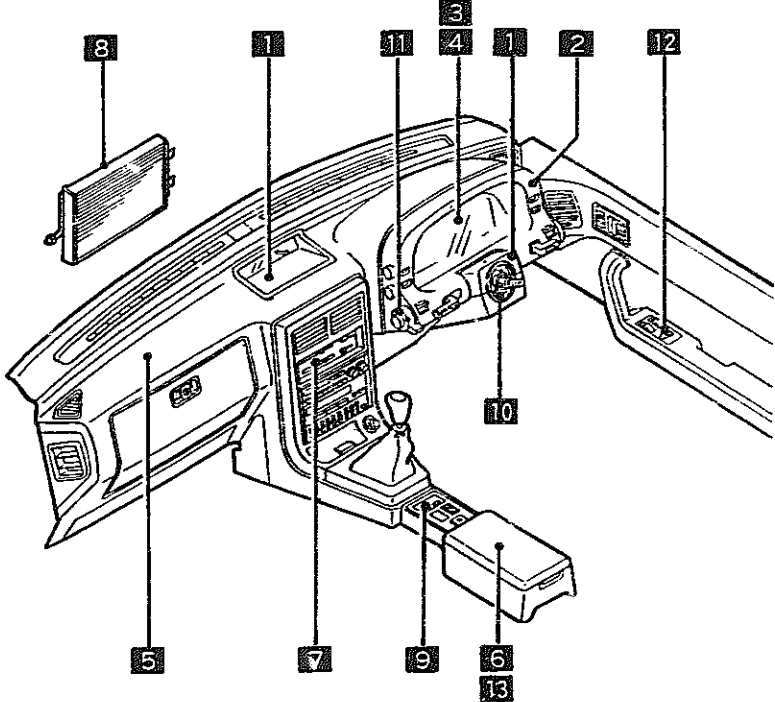
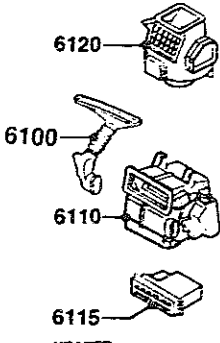
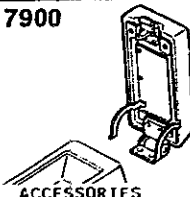
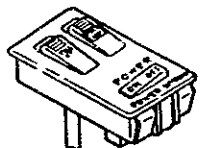
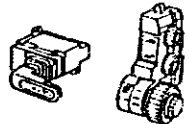
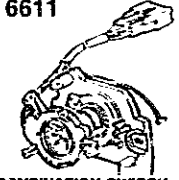
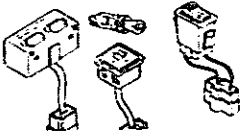
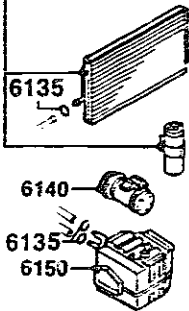
As this illustration is prepared to be applicable to all models, some parts are different in specifications from the parts listed in this parts Catalog.

PICTORIAL INDEX

<p>1 5000</p>  <p>FRONT BUMPER</p>	<p>2</p>	<p>3 5010</p>  <p>REAR BUMPER</p>	<p>4 5030</p>  <p>WINDOW MOULDINGS</p>	<p>5 5040</p>  <p>BODY MOULDINGS</p>	<p>6 5060</p>  <p>SIDE PROTECTORS</p>
<p>20 5840</p>  <p>FRONT DOOR TRIMS & RELATED PARTS</p>	<p>21 6230</p>  <p>LIFT GATE MECHANISMS</p>	<p>22 6300</p>  <p>WINDOW GLASSES</p>	<p>23 6330</p>  <p>SUNROOF</p>	<p>24 7800</p>  <p>SPOILERS & RELATED PARTS</p>	<p>7 5170</p> <p>RX-7 MAZDA</p> <p>ORNAMENTS</p>
<p>19 5830</p>  <p>FRONT DOOR MECHANISMS</p>	<p style="text-align: center;">BODY (2/4)</p> 				<p>8 5180</p>  <p>COWL & EXTRACTOR GRILLES</p>
<p>18 5800</p>  <p>FRONT DOORS</p>					<p>9 5230</p>  <p>BONNET</p>
<p>17 5390</p> <p>5380</p>  <p>FLOOR ATTACHMENTS</p>					<p>10 5260</p>  <p>TRUNK LID</p>
<p>16 5370</p>  <p>BODY PANELS (FLOOR)</p>					<p>15 5360</p>  <p>BODY PANELS (ROOF)</p>

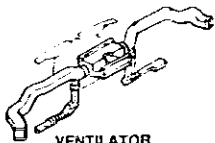

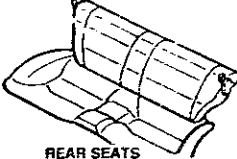
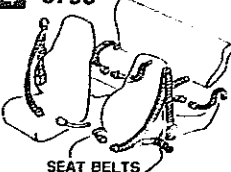
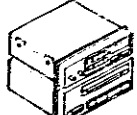

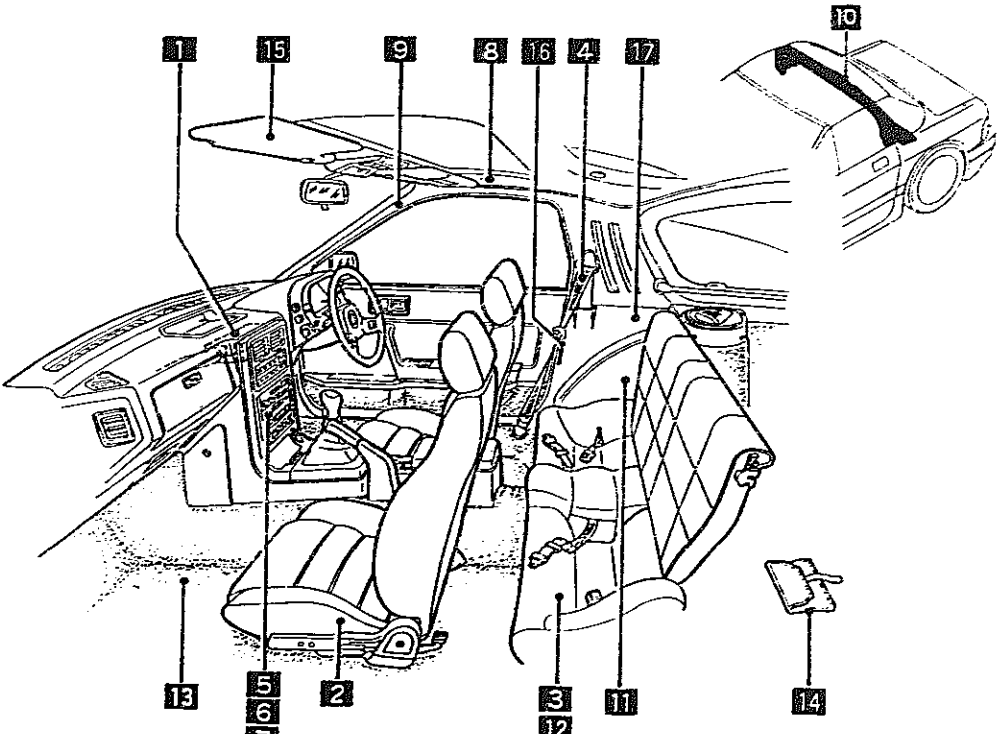


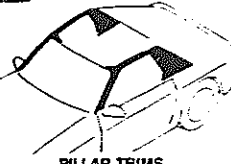

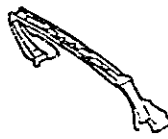

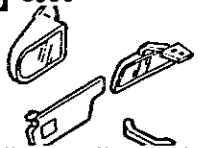

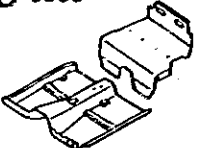
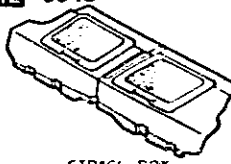
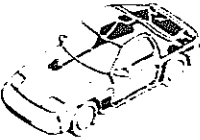
As this illustration is prepared to be applicable to all models, some parts are different in specific models from the parts listed in this parts Catalog.

PICTORIAL INDEX

<p>1 5500</p>  <p>DASHBOARD EQUIPMENTS</p>	<p>2 5520</p>  <p>METER HOOD</p>	<p>3 5530</p>  <p>SPEEDOMETER CABLE</p>	<p>4 5540</p>  <p>METER COMPONENTS</p>	<p>5 5560</p>  <p>DASHBOARD & RELATED PARTS</p>	<p>6 5570</p>  <p>CONSOLE</p>					
<p>BODY (3/4)</p> 						<p>7</p>  <p>6120</p> <p>6100</p> <p>6110</p> <p>6115</p> <p>HEATER</p>				
<p>13 7900</p>  <p>ACCESSORIES</p>						<p>12 6615</p>  <p>POWER WINDOW SWITCHES</p>	<p>11 6612</p>  <p>CLUSTER SWITCH</p>	<p>10 6611</p>  <p>COMBINATION SWITCH</p>	<p>9 6610</p>  <p>DASHBOARD SWITCHES</p>	<p>8 6130</p>  <p>6135</p> <p>6140</p> <p>6135</p> <p>6150</p> <p>AIR CONDITIONER</p>

As this illustration is prepared to be applicable to all models, some parts are different in specifications from the parts listed in this parts Catalog.

PICTORIAL INDEX

<p>1 5580</p>  <p>VENTILATOR</p>	<p>2 5700</p>  <p>FRONT SEATS</p>	<p>3 5750</p>  <p>REAR SEATS</p>	<p>4 5790</p>  <p>SEAT BELTS</p>	<p>5 6680</p>  <p>AUDIO SYSTEMS (RADIO & TAPE DECK)</p>	<p>6 6682</p>  <p>AUDIO SYSTEMS (ANTENNA & SPEAKER)</p>		
<p>BODY (4/4)</p> 						<p>7 6684</p>  <p>AUDIO SYSTEMS (NOISE SUPPRESSOR & EARTH CORD)</p>	
						<p>8 6800</p>  <p>CEILING TRIMS</p>	
						<p>9 6820</p>  <p>PILLAR TRIMS</p>	
<p>17 7250</p>  <p>QUARTER WINDOW & TRIMS</p>							<p>10 6810</p>  <p>ROLLERBAR</p>
<p>16 6930</p>  <p>CAUTION PLATES & LABELS</p>	<p>15 6900</p>  <p>VISORS, ASSIST HANDLES & MIRRORS</p>	<p>14 6870</p>  <p>SERVICE TOOLS</p>	<p>13 6860</p>  <p>FLOOR MATS & PADS</p>	<p>12 6845</p>  <p>STORAGE BOX</p>	<p>11 6840</p>  <p>TRIMS & SCUFF PLATES</p>		

As this illustration is prepared to be applicable to all models, some parts are different in specifications from the parts listed in this parts Catalog

SECTION NAME INDEX (ENGINE)

LO.NO	SEC.NO	SECTION NAME	LO.NO	SEC.NO	SECTION NAME	LO.NO	SEC.NO	SECTION NAME
1-C03	1000	SHORT ENGINE & GASKET SETS (W/O TURBO)	1-G11	1840	STARTER			
1-003	1000 A	SHORT ENGINE & GASKET SETS (TURBO)	1-J11	1850	BATTERY			
1-E03	1030	ROTOR HOUSINGS (W/O TURBO)	1-K11	1910	TORQUE CONVERTER, OIL PUMP & PIPINGS (AUTOMATIC)			
1-G03	1030 A	ROTOR HOUSINGS (TURBO)	1-N11	1920	TRANSMISSION CASE & MAIN CONTROL SYSTEM (AUTOMATIC)			
1-J03	1040	OIL PAN, FRONT & REAR HOUSING (W/O TURBO)	1-I12	1925	CONTROL VALVE (AUTOMATIC)			
1-M03	1040 A	OIL PAN, FRONT & REAR HOUSING (TURBO)	1-D13	1930	CLUTCHES & PLANETARY GEARS (AUTOMATIC)			
1-D04	1100	ECCENTRIC SHAFT & FLYWHEEL	1-L13	1940	GOVERNOR, LOW & REVERSE PISTON (AUTOMATIC)			
1-G04	1110	ROTORS & RELATED PARTS	1-C14	1950	MANUAL LINKAGE SYSTEM (AUTOMATIC)			
1-I04	1300	INLET MANIFOLD	1-E14	1960	GASKET & SEAL KIT (AUTOMATIC)			
1-M04	1310	EXHAUST MANIFOLD						
1-N04	1311	INTER COOLER (TURBO)						
1-C05	1312	TURBO CHARGER (TURBO)						
1-F05	1320	FUEL SYSTEM						
1-H05	1325	FUEL DISTRIBUTOR						
1-I05	1330	AIR CLEANER						
1-M05	1350	STARTING ASSIST SYSTEM						
1-N05	1364	THROTTLE BODY						
1-F06	1371	AIR PUMP & AIR CONTROL VALVE						
1-I06	1380	EMISSION CONTROL SYSTEM						
1-D07	1399	CAP & HOSE CLIP (INLET & EXHAUST SIDE)						
1-F07	1400	OIL PUMP & FILTER (W/O TURBO)						
1-I07	1400 A	OIL PUMP & FILTER (TURBO)						
1-M07	1500	COOLING SYSTEM						
1-F08	1580	BRACKET, PULLEY & BELT						
1-C09	1600	CLUTCH DISC & COVER (MANUAL)						
1-F09	1700	TRANSMISSION CASE (MANUAL)						
1-J09	1710	TRANSMISSION GEARS (MANUAL)						
1-H10	1720	CHANGE CONTROL SYSTEM (MANUAL)						
1-M10	1800	ENGINE ELECTRICAL SYSTEM						
1-E11	1830	ALTERNATOR						

CATLOG-NO= AUFA02-06

DATE. 1992-05

SECTION NAME INDEX (CHASSIS)

LD.NO	SEC.NO	SECTION NAME	LD.NO	SEC.NO	SECTION NAME	LD.NO	SEC.NO	SECTION NAME
2-C03	2505	REAR PROPELLER SHAFT	2-M08	4140	CLUTCH RELEASE & MASTER CYLINDERS (MANUAL TRANSMISSION)			
2-D03	2550	REAR DRIVE SHAFT						
2-E03	2600	REAR AXLE	2-C09	4145	CLUTCH PIPINGS (MANUAL TRANSMISSION)			
2-G03	2610	REAR BRAKE MECHANISMS	2-D09	4160	ACCELERATOR CONTROL SYSTEM			
2-K03	2710	REAR DIFFERENTIALS (NORMAL DIFF.)	2-E09	4200	FUEL TANK			
2-C04	2710 A	REAR DIFFERENTIALS (LIMITED SLIP DIFF.)	2-H09	4300	CLUTCH & BRAKE PEDALS (MANUAL TRANSMISSION)			
2-H04	2800	REAR SUSPENSION MECHANISMS	2-K09	4300A	BRAKE PEDALS (AUTOMATIC TRANSMISSION)			
2-J04	2801	REAR SPRING & DAMPER	2-M09	4340	BRAKE MASTER CYLINDER & POWER BRAKE (W/O TURBO)			
2-K04	2810	REAR STABILIZER						
2-L04	2830	REAR LOWER ARMS & SUB FRAME	2-C10	4340 A	BRAKE MASTER CYLINDER & POWER BRAKE (TURBO)			
2-N04	3200	STEERING WHEEL (W/O AIR BAG)						
2-E05	3200 A	STEERING WHEEL (W/ AIR BAG)	2-E10	4360	BRAKE PIPINGS (W/O TURBO)			
2-G05	3210	STEERING COLUMN & SHAFTS	2-G10	4360 A	BRAKE PIPINGS (TURBO)			
2-I05	3220 A	STEERING GEAR (W/ POWER STEERING: ENGINE REVOLUTION PER MINUTE SENSOR) (GTU, '90-EX L, '90-CONV-W/O AIR BAG)	2-J10	4370	ANTILOCK BRAKE SYSTEM (TURBO)			
2-L05	3220 B	STEERING GEAR (W/ POWER STEERING: VELOCITY SENSOR) (GTUS, '90-G XL, TURBO, '89-CONV, '90-CONV-W/AIR BAG)	2-N10	4400	PARKING BRAKE SYSTEM			
			2-D11	4500	FUEL PIPINGS			
			2-H11	4600	CHANGE CONTROL SYSTEM (AT)			
2-C06	3240	POWER STEERING SYSTEM						
2-F06	3300	FRONT AXLE						
2-H06	3310	FRONT BRAKE MECHANISMS						
2-K06	3400	FRONT SUSPENSION MECHANISMS						
2-M06	3401	FRONT SPRING & DAMPER						
2-N06	3410	CROSSMEMBER & STABILIZER						
2-C07	3700	TIRES & JACK						
2-C08	3900	ENGINE & T/MISSION MOUNTINGS (MT)						
2-D08	3900A	ENGINE & T/MISSION MOUNTINGS (AT)						
2-E08	4000	EXHAUST SYSTEM (W/O TURBO)						
2-I08	4000 A	EXHAUST SYSTEM (TURBO)						

CATLOG-NO= AUFA02-06

DATE. 1992-05

SECTION NAME INDEX (BODY)1/2

LO.NO	SEC.NO	SECTION NAME	LO.NO	SEC.NO	SECTION NAME	LO.NO	SEC.NO	SECTION NAME
3-C03	0900	KEY SETS	3-J09	5390	FLOOR ATTACHMENTS			
3-F03	5000	FRONT BUMPER	3-C10	5500	DASHBOARD EQUIPMENTS			
3-H03	5010	REAR BUMPER	3-F10	5520	METER HOOD			
3-J03	5020	HEAD LAMP CLEANER	3-G10	5530	SPEEDOMETER CABLE			
3-L03	5030	WINDOW MOULDINGS	3-H10	5540	METER COMPONENTS			
3-M03	5040	BODY MOULDINGS (COUPE)	3-J10	5560	DASHBOARD & RELATED PARTS			
3-E04	5060	SIDE PROTECTORS	3-E11	5570	CONSOLE			
3-I04	5100	HEAD LAMPS	3-H11	5580	VENTILATOR			
3-J04	5103	HEAD LAMP RETRACTORS	3-J11	5700	FRONT SEATS (COUPE)			
3-N04	5105	FRONT COMBINATION LAMPS	3-E13	5700A	FRONT SEATS (CONVERTIBLE)			
3-G05	5110	REAR COMBINATION LAMPS	3-K13	5750	REAR SEATS (COUPE)			
3-K05	5120	LICENSE LAMPS	3-M13	5790	SEAT BELTS (COUPE)			
3-M05	5125	INTERIOR LAMPS	3-C14	5790A	SEAT BELTS (CONVERTIBLE)			
3-N05	5130	OVERHEAD CONSOLE	3-D14	5800	FRONT DOORS (COUPE)			
3-C06	5170	ORNAMENTS	3-G14	5800A	FRONT DOORS (CONVERTIBLE)			
3-D06	5180	COWL & EXTRACTOR GRILLES	3-K14	5830	FRONT DOOR MECHANISMS (COUPE)			
3-G06	5230	BONNET	3-F15	5830A	FRONT DOOR MECHANISMS (CONVERTIBLE)			
3-J06	5260	TRUNK LID (CONVERTIBLE)	3-J15	5840	FRONT DOOR TRIMS & RELATED PARTS (COUPE)			
3-L06	5310	BODY PANELS (FRONT) (COUPE)	3-H16	5840A	FRONT DOOR TRIMS & RELATED PARTS (CONVERTIBLE)			
3-C07	5310 A	BODY PANELS (FRONT) (CONVERTIBLE)						
3-F07	5320	BODY PANELS (FENDER & WHEEL ARCH)						
3-K07	5330	BODY PANELS (DASH & COWL PANEL)						
3-L07	5340	BODY PANELS (SIDE) (COUPE)						
3-E08	5340A	BODY PANELS (SIDE) (CONVERTIBLE)						
3-K08	5360	BODY PANELS (ROOF) (W/O SUN ROOF)						
3-L08	5360 A	BODY PANELS (ROOF) (SUN ROOF)						
3-M08	5370	BODY PANELS (FLOOR) (COUPE)						
3-D09	5370 A	BODY PANELS (FLOOR) (CONVERTIBLE)						
3-H09	5380	FLOOR ATTACHMENTS (HOLE COVERS)						

CATLOG-NO= AUFA02-06

DATE. 1992-05

SECTION NAME INDEX (BODY) 2/2

LO.NO	SEC.NO	SECTION NAME	LO.NO	SEC.NO	SECTION NAME	LO.NO	SEC.NO	SECTION NAME
4-C03	6100	HEATER	4-E08	6703	WIRING HARNESSES(DOOR,FLOOR/CEILING)			
4-E03	6110	HEATER UNIT COMPONENTS	4-G08	6704	WIRING HARNESS CLAMPS			
4-F03	6115	HEATER CONTROLS COMPONENTS	4-J08	6720	WINDSHIELD WASHER (1.5L & 2.5L)			
4-G03	6120	HEATER BLOWER COMPONENTS	4-L08	6720 A	WINDSHIELD WASHER (5.7L)			
4-I03	6130	AIR CONDITIONER	4-N08	6730	WINDSHIELD WIPERS			
4-J03	6230	LIFT GATE MECHANISMS (COUPE)	4-C09	6740	WIPER MOTOR COMPONENTS(FRONT)			
4-M03	6300	WINDOW GLASSES (COUPE)	4-D09	6750	WINDOW WIPER & WASHER (REAR)			
4-N03	6300A	WINDOW GLASSES (CONVERTIBLE)	4-G09	6760	WINDOW WIPER MOTOR COMPONENTS (REAR)			
4-C04	6330	SUNROOF (COUPE)	4-H09	6800	CEILING TRIMS (COUPE)			
4-G04	6330A	SUNROOF (CONVERTIBLE)	4-J09	6800A	CEILING TRIMS (CONVERTIBLE)			
4-M04	6600	SWITCHES & RELAYS (ENGINE)	4-K09	6810	ROLLEBAR (CONVERTIBLE)			
4-G05	6610	DASHBOARD SWITCHES	4-N09	6820	PILLAR TRIMS (COUPE)			
4-H05	6611	COMBINATION SWITCH	4-F10	6820A	PILLAR TRIMS (CONVERTIBLE)			
4-I05	6612	CLUSTER SWITCH	4-G10	6840	TRIMS & SCUFF PLATES (COUPE)			
4-L05	6615	POWER WINDOW SWITCHES	4-L10	6840A	TRIMS & SCUFF PLATES (CONVERTIBLE)			
4-M05	6630	RELAYS & UNIT (BODY)	4-N10	6845	STRAGE BOX (COUPE) * (GXL,TURBO)			
4-D06	6635	DOOR SWITCH & HORNS	4-D11	6860	FLOOR MATS & PADS (COUPE)			
4-E06	6640	AUTO CRUISE CONTROL SYSTEM	4-K11	6860A	FLOOR MATS & PADS (CONVERTIBLE)			
4-F06	6680	AUDIO SYSTEMS (RADIO & TAPE DECK) (COUPE)	4-C12	6870	SERVICE TOOLS			
4-K06	6680 A	AUDIO SYSTEMS (RADIO & TAPE DECK) (CONVERTIBLE)	4-D12	6900	VISORS,ASSIST HANDLES & MIRRORS (COUPE)			
4-M06	6682	AUDIO SYSTEMS (ANTENNA & SPEAKER) (COUPE)	4-H12	6900A	VISORS,ASSIST HANDLES & MIRRORS (CONVERTIBLE)			
4-D07	6682 A	AUDIO SYSTEMS (ANTENNA & SPEAKER) (CONVERTIBLE)	4-K12	6930	CAUTION PLATES & LABELS			
4-G07	6684	AUDIO SYSTEMS(NOISE SUPPRESSOR & EARTH CORD)	4-N12	7250	QUARTER WINDOW & TRIMS			
4-H07	6700	WIRING HARNESSES(FRONT & REAR)	4-E13	7800	SPOILERS & RELATED PARTS			
4-N07	6701	WIRING HARNESSES(ENGINE & TRANSMISSION)	4-C14	7900	ACCESSORIES			
4-D08	6702	WIRING HARNESSES(DASHBOARD)						

CATLOG-NO= AUFA02-06

DATE. 1992-05

PART NUMBER INDEX

This index is listed in the following sequence.

GENERAL PARTS

EXAMPLE

- 1 Model/Type
Third, in the sequence of model/types (1st-4th digits)
- 2 Group
First, in the sequence of group (5th & 6th digits)
- 3 Part
Second, in the sequence of part (7th-9th digits)

INDEX DES NOMBRES DE PIÈCES

Cet index a été composé selon la séquence suivante.

PIÈCES GÉNÉRALES

EXEMPLE

- 1 Modèle/type
Troisièmement, séquence du modèle/type (1er à 4ème chiffres)
- 2 Groupe
Premièrement, séquence du groupe (5ème et 6ème chiffres)
- 3 Pièce
Deuxièmement, séquence de la pièce (7ème à 9ème chiffres)

NUMERO INDICE DE PIEZA

Este índice se ordena en la siguiente secuencia.

PIEZAS GENERALES

EJEMPLO

- 1 Tipo de modelo
Tercero, en la secuencia de tipo de modelo (entre las cifras 1ro-4to lugar)
- 2 Grupo
Prmero, en la secuencia de grupo (las cifras en 5to y 6to lugar)
- 3 Pieza
Segundo, en la secuencia de pieza (entre las cifras 7mo-9no lugar)

TEILENUMMERN

Die Teilenummern setzen sich wie folgt zusammen.

ALLGEMEINE TEILE

BEISPIEL

- 1 Modell/Typ
Angabe des Modells bzw. Typs (1 bis 4 Ziffern)
- 2 Baugruppe
Angabe der Baugruppe (5. und 6. Ziffer)
- 3 Teil
Angabe des Teils (7. bis 9. Ziffer)

① ② ③
└───┘ └──┘ └──┘
B A O 1 6 0 3 5 0

STANDARD PARTS

Standard Parts are listed in numerical sequence after General Parts.
(Note: Those parts which do not have D-Code are not listed in the index.)

PIÈCES STANDARD

Les pièces standard sont énumérées selon une séquence numérique, après les pièces générales.
(Remarque: Les pièces qui ne possèdent pas de code D ne sont pas mentionnées dans cet index.)

PIEZAS NORMALES

Las piezas normales se numeran secuencialmente después de las Piezas generales.
(Nota: Las piezas que no tienen un código D no están en el índice.)

STANDARDTEILE

Die Standardteile sind nach den allgemeinen Teilen mit fortlaufender Nummerierung aufgeführt.
(Hinweis: Teile ohne D-Code sind nicht aufgeführt.)

PART NUMBER INDEX / INDEX DES NUMEROS DE PIÉCES / TEILNUMMER-INDEX / INDICE DE NUMERO DE PARTES

***** * RI-000 * *****	FB67-R1-960G02 4-J4 FB67-R1-960G48 4-J4	N350-10-C85 1-J3 1-M3	N326-10-450A 1-M3 0839-10-455 1-K3 1-N3	1011-11-504 1-E4 0813-11-505B 1-E4 0839-11-506 1-E4 1011-11-507 1-E4 0839-11-508 1-E4 0839-11-509 1-E4 8519-11-517 1-E4 8534-11-518 1-E4 N351-11-521 1-F4 0839-11-531 1-E4 0866-11-702 1-E4 0820-11-705 1-F4 0810-11-711 1-F4	N326-13-234A 1-J5 N350-13-240 1-K5 8871-13-087A 4-E6 N350-13-100A 1-J4 N370-13-100A 1-J4 N372-13-100A 1-J4 N350-13-104 1-E7 1010-13-104 1-E7 N350-13-111 1-J4 N370-13-111 1-J4 8AF4-13-111 1-C3 8AF5-13-111 1-D3 N350-13-112 1-J4 N370-13-112 1-J4 8527-13-113 1-J4 N350-13-130 1-J4 N350-13-130A 1-J4 N370-13-130B 1-J4 N370-13-130C 1-J4 N350-13-135 1-J4	N327-1-363 1-N10 N370-13-38XA 1-C5 N370-13-380B 1-C5 N326-13-390B 1-M4 N370-13-390 1-M4 N370-13-390A 1-M4 8574-13-422 1-F5 FE87-13-428 1-G5 F267-13-428 1-F5 G601-13-428 1-F5 N318-13-428 1-F5 N326-13-428A 1-F5 N370-13-428 1-F5 N326-13-431B 1-G5 0118-13-431 3-G6 N326-13-447 1-E7 N350-13-450 1-M4 N370-13-450B 1-M4 N318-13-456 1-M4 N370-13-456 1-M4
FB67-R1-01YH 4-G4 FB67-R1-03X 4-G4 FB67-R1-03Y 4-G4 FB67-R1-10U 4-G4 FB67-R1-14X 4-G4 FB67-R1-14Y 4-G4 FB67-R1-146A 4-G4 FB67-R1-147A 4-G4 FB67-R1-148A 4-G4 FB67-R1-149 4-G4 FB67-R1-15X 4-G4 FB67-R1-16X 4-G4 FB67-R1-17X 4-G4	***** * VO-000 * ***** FB01-V0-622 4-C14 FB01-V0-631 4-C14 FB01-V0-631 5F 4-C14 FB01-V0-634 4-C14 FB01-V0-634 5F 4-C14 FB01-V0-636 4-C14 FB01-V0-639 4-C14	N370-10-E00C 1-F3 1-M3 N350-10-E02 1-F3 1-M3 N370-10-E10 1-F3 1-M3 N370-10-E10B 1-F3 1-M3 N350-10-E15 1-F3 1-M3 N350-10-E50A 1-K3	N350-10-566 1-K3 N318-10-570A 1-M3 N318-10-570B 1-N3 0820-10-605 1-K3 1-M3 N249-10-619 1-C4 1-M3 8871-10-631A 1-K3 1-N3 N231-10-735 4-M4 N225-10-861 1-L3	N326-13-A5YB 1-M5 N326-13-A6YC 1-M5 N332-13-A6YB 1-M5 N326-13-A61 1-M5 N326-13-A63B 1-M5 N332-13-A63 1-M5 N326-13-A64 1-M5 N332-13-A64B 1-M5 N350-13-A64 1-M5 N350-13-A65A 1-M5 N370-13-A65A 1-M5 N326-13-A66 1-M5 N350-13-B70 1-K4 N351-13-B70A 1-K4 N350-13-B73 1-J4 N350-13-B80A 1-K4 N351-13-B80A 1-K4 N350-13-B87 1-K4 N350-13-B96 1-L4	N370-13-140 1-J4 N370-13-140B 1-K4 N350-13-150 1-M5 N351-13-150 1-M5 N370-13-150 1-M5 N371-13-150 1-M5 8574-13-157 1-E7 2-E11 N326-13-158 1-H2 N225-13-160A 1-K4 N318-13-164A 1-D5 1-K5 N350-13-164 1-M5 N370-13-165 1-M5 N326-13-17X 1-M5 N225-13-173A 1-K4 N225-13-184 1-K4 N225-13-186 1-K4 N225-13-188A 1-K4 N350-13-201 1-J5	N319-13-457B 2-18 N318-13-461 1-M4 N350-13-461 1-M4 N236-13-483 1-C5 N370-13-491 2-18 B630-13-496 2-E11 E5A1-13-497A 2-E11 N318-13-498 1-F5 1881-13-510G 1-M5 N318-13-530A 1-C5 N370-13-540 1-C5 N318-13-546 1-C5 N370-13-546 1-M4 N318-13-550 1-N4 N318-13-555A 1-N4 N319-13-556A 1-N4 N318-13-557 1-N4 N318-13-56X 1-N4 N253-13-607A 1-C5 N236-13-631 1-C5 N236-13-638 1-C5
FC23-R1-2Y0 4-I4 FC23-R1-210 4-G4 FB67-R1-212C02 4-H4 FB67-R1-212C48 4-H4 FB67-R1-213 4-H4 FB67-R1-214A 4-I4 FC33-R1-217 4-H4 FB67-R1-218 4-H4 FB67-R1-219 4-H4 FB67-R1-221 4-H4 FB67-R1-222 4-K4 FB67-R1-231 4-H4 FB67-R1-232 4-H4 FB67-R1-233 4-H4 FB67-R1-234 4-H4 FB67-R1-235 4-H4 FB67-R1-236 4-H4 FB67-R1-237A 4-H4 FB67-R1-251 4-I4 FB67-R1-252 4-I4	***** * 02-000 * ***** N350-02-200 1-C3 N350-02-200A 1-C3 N351-02-200 1-C3 N351-02-200A 1-C3 N370-02-200 1-D3 N370-02-200A 1-D3	N350-10-E51B 1-K3 1-N3 N350-10-E56 1-J3 1-M3 N350-10-E61A 1-K3 1-M3 N350-10-S60 1-C3 N370-10-S60 1-D3 N326-10-T11 4-M4 0839-10-105 1-G3 1-M3 1757-10-111 1-G3 1-M3 N231-10-173 1-E3 1-G3 1-J3 N231-10-174 1-M3 1-M3 0839-10-203 1-J3 1-M3	N350-10-566 1-K3 N318-10-570A 1-M3 N318-10-570B 1-N3 0820-10-605 1-K3 1-M3 N249-10-619 1-C4 1-M3 8871-10-631A 1-K3 1-N3 N231-10-735 4-M4 N225-10-861 1-L3	N326-13-A5YB 1-M5 N326-13-A6YC 1-M5 N332-13-A6YB 1-M5 N326-13-A61 1-M5 N326-13-A63B 1-M5 N332-13-A63 1-M5 N326-13-A64 1-M5 N332-13-A64B 1-M5 N350-13-A64 1-M5 N350-13-A65A 1-M5 N370-13-A65A 1-M5 N326-13-A66 1-M5 N350-13-B70 1-K4 N351-13-B70A 1-K4 N350-13-B73 1-J4 N350-13-B80A 1-K4 N351-13-B80A 1-K4 N350-13-B87 1-K4 N350-13-B96 1-L4	N370-13-140 1-J4 N370-13-140B 1-K4 N350-13-150 1-M5 N351-13-150 1-M5 N370-13-150 1-M5 N371-13-150 1-M5 8574-13-157 1-E7 2-E11 N326-13-158 1-H2 N225-13-160A 1-K4 N318-13-164A 1-D5 1-K5 N350-13-164 1-M5 N370-13-165 1-M5 N326-13-17X 1-M5 N225-13-173A 1-K4 N225-13-184 1-K4 N225-13-186 1-K4 N225-13-188A 1-K4 N350-13-201 1-J5	N319-13-457B 2-18 N318-13-461 1-M4 N350-13-461 1-M4 N236-13-483 1-C5 N370-13-491 2-18 B630-13-496 2-E11 E5A1-13-497A 2-E11 N318-13-498 1-F5 1881-13-510G 1-M5 N318-13-530A 1-C5 N370-13-540 1-C5 N318-13-546 1-C5 N370-13-546 1-M4 N318-13-550 1-N4 N318-13-555A 1-N4 N319-13-556A 1-N4 N318-13-557 1-N4 N318-13-56X 1-N4 N253-13-607A 1-C5 N236-13-631 1-C5 N236-13-638 1-C5
FB67-R1-421A 4-I4 FB67-R1-5A1 4-I4 FB67-R1-5A2 4-I4 FB67-R1-510D 4-I4 FB67-R1-520B 4-I4 FB67-R1-711D 4-I4 FB67-R1-711E 4-I4 FB67-R1-721D 4-I4 FB67-R1-721E 4-I4 FB67-R1-810D 4-I4 FB67-R1-860H 4-J4 FB67-R1-870D 4-J4 FB67-R1-881C 4-J4 FB67-R1-882C 4-J4 FB67-R1-9A3A 4-J4 FB67-R1-9B3A 4-J4 FB67-R1-91YC 4-J4 FB67-R1-912C 4-K4 FB67-R1-910H02 4-J4 FB67-R1-910H48 4-J4	FC01-09-010 02 3-C3 FC01-09-010 19 3-C3 FC01-09-010 48 3-C3 FC02-09-010 02 3-C3 FC02-09-010 19 3-C3	8562-10-205 1-J3 1-M3 1757-10-206A 1-J3 1-M3 1757-10-207A 1-J3 1-M3 1757-10-208 1-J3 1-M3 N249-10-219 1-J3 1-M3 8871-10-250A 1-M3 1-E3 8871-10-252 1-E3 1-G3 8AF5-10-271 1-C3 8AF6-10-271 1-D3 N225-10-305 1-J3 1-M3 1757-10-309 1-J3 1-M3	N326-11-C00C 1-G4 N351-11-C00 1-G4 N326-11-C02A 1-G4 N326-11-C03A 1-G4 N326-11-C04A 1-G4 N326-11-C06A 1-G4 N3Y1-11-C11 1-H4 N3Y6-11-C11 1-H4 N326-11-C17 1-G4 N326-11-C20A 1-G4 N326-11-C22A 1-G4 N326-11-D00B 1-D4 N327-11-D00B 1-D4 N326-11-D03 1-D4 N326-11-D11 1-D4 N326-11-D15 1-D4 N326-11-D17 1-D4 N326-11-D61A 1-E4 N350-11-D61 1-E4 N326-11-D75 1-E4	N351-13-C60 1-H5 N350-13-C61A 1-H5 N326-13-C80A 1-M4 N350-13-C90 1-K6 N350-13-W6X 1-C6 N351-13-W6X 1-C6 N370-13-W6X 1-C6 N332-13-W6B 1-C6 N350-13-W60 1-C6 N351-13-W60 1-C6 N327-13-W61 1-C6 N332-13-W61 1-C6 N326-13-W64 1-C6 N337-13-W64 1-C6 N326-13-W69 1-C6 N350-13-W7Y 1-C6 N351-13-W7Y 1-C6 N370-13-W7Y 1-C6 N350-13-W70 1-C6	N350-13-202 1-K5 1481-13-205C 1-J5 N350-13-210 1-J5 N370-13-210 1-J5 N350-13-214 1-J5 N370-13-220 1-J5 N326-13-221A 1-J5 N350-13-222 1-J5 N350-13-23XA 1-K4 N352-13-23XA 1-K4 N370-13-24X 1-C5 FE05-13-240 1-E7 1481-13-240A 1-K6 1482-13-240A 1-K6 N370-13-245 1-N4 N318-13-246C 1-N4 N350-13-250 1-H5 N370-13-250 1-H5 8574-13-252 1-H5 N236-13-253A 1-K6	N350-13-645 1-I7 N370-13-645 1-K6 N350-13-650A 1-D6 N350-13-650B 1-D6 N351-13-650A 1-D6 N351-13-650B 1-D6 N370-13-650A 1-D6 N370-13-650B 1-D6 N350-13-660 1-K4 N370-13-660A 1-L4 N350-13-680 1-L6 N370-13-681 1-L6 N370-13-700 1-D5 N370-13-710 1-D5 N350-13-720 1-L6 N370-13-720A 1-L6 N304-13-724A 1-G6
FB67-R1-911A 4-J4 FB67-R1-912A 4-J4 FB67-R1-913A 4-J4 FB67-R1-916 3-E8 FB67-R1-926E 4-K4 FB67-R1-921A02 4-K4 FB67-R1-921A48 4-K4 FB67-R1-926A 4-K4 FB67-R1-930A 4-K4 FB67-R1-940A 4-K4 B235-R1-951C 4-K11 FB67-R1-951E 4-K4 FC54-R1-951B 4-K4 FB67-R1-952E 4-K4 FC54-R1-952B 4-K4 B235-R1-953 4-K4 FB67-R1-954A 3-G14 B235-R1-958A 4-K4	N326-10-B06 1-E3 1-G3 N318-10-B10A 1-G3 N350-10-B10A 1-E3 N318-10-B50C 1-G3 N350-10-B50A 1-E3 N326-10-B71A 1-E3 1-G3 N326-10-B72 1-E3 1-G3 N350-10-C00A 1-J3 N370-10-C00A 1-M3 N370-10-C00B 1-M3 N326-10-C15 1-E3 1-G3 N350-10-C50 1-J3 N350-10-C50A 1-J3 N370-10-C50 1-M3 N370-10-C50A 1-M3	N326-10-323 1-E3 1-G3 N326-10-400E 1-K3 1-N3 N328-10-400E 1-K3 1-N3 N225-10-415 1-F3 1-H3 8562-10-417 1-F3 1-H3 N332-10-420B 1-H3 N350-10-420 1-F3 N318-10-424 1-H3 N3Y6-10-427 1-K3 1-N3 N318-10-441 1-G3 N326-10-441 1-E3 N326-10-450A 1-F3 N326-10-450B 1-F3 N332-10-450 1-H3	1011-11-111 1-G4 1202-11-323A 1-G4 0820-11-361 1-G4 8341-11-363 1-G4 N225-11-351 1-G4 1011-11-353A 1-H4 N225-11-361 1-H4 1011-11-363A 1-H4 N350-11-400A 1-D4 N350-11-400B 1-D4 1881-11-404 1-D4 N350-11-408A 1-D4 0839-11-412 1-D4 N318-11-420A 1-D4 N318-11-420B 1-D4 N350-11-500 1-D4 N370-11-500 1-D4 1011-11-501 1-E4 N318-11-502A 1-E4 0839-11-502 1-E4	N326-13-W76 1-C6 N350-13-W8Y 1-C6 N351-13-W8Y 1-C6 N370-13-W8Y 1-D6 N350-13-W80 1-D6 N351-13-W80 1-D6 N370-13-W80 1-D6 N326-13-W86 1-D6 N327-13-W86 1-D6 N370-13-W86 1-D6 N326-13-W87 1-D6 N350-13-W89 1-D6 N350-13-W90 1-D6 N351-13-W90 1-D6 N370-13-W90 1-D6 N327-13-ZE1 1-F5 FEH2-13-ZE4 1-F5 BP02-13-ZE5 1-F5 N370-13-Z1Y 1-C5 N326-13-Z01 1-K5	8574-13-253 1-H5 N350-13-257 1-H5 N236-13-260A 1-H5 N236-13-265 1-J5 N306-13-283A 1-K6 N350-13-310 1-J5 N350-13-320 1-J5 FE51-13-329 1-J5 2850-13-331 1-K11 N370-13-332 1-N4 N351-13-352B 1-F5 N370-13-352B 1-F5 N350-13-350 1-F5 N380-13-350A 1-F5 N380-13-350B 1-F5 FE51-13-363 1-K5 N236-13-363 1-F5 N318-13-363 1-N4 N326-13-363A 1-K6 N326-13-363B 1-K6	N370-13-725 1-L6 N304-13-726 1-E7 1480-13-726 1-E7 1480-13-730 1-G6 N318-13-736A 1-E7 SL50-13-736 1-E7 N370-13-74Y 1-D5 N350-13-740 1-L6 N332-13-741 1-L6 N319-13-742 1-M6 N350-13-742 1-M6 N318-13-744A 1-L6 N236-13-746A 1-D5 N319-13-750A 1-K6 N326-13-750A 1-K6 N332-13-752A 1-L6 N350-13-752 1-L6 N326-13-753A 1-K6 N326-13-755 1-K6

PART NUMBER INDEX / INDEX DES NUMEROS DE PIECES / TEILENUMMER-INDEX / INDICE DE NUMERO DE PARTES

N326-18-X3J	1-G11	N350-18-300B	1-E11	0338-19-223A	1-K11	1758-19-511	1-F13	0338-19-733C	1-D14	N350-20-160	1-L4	BV09-21-2J1	4-E5
N326-18-X40	1-H11	N370-18-300A	1-E11	BV03-19-240B	1-L11	BV04-19-530	1-G13	0338-19-734A	1-D14	N350-20-190	1-E6	BV09-21-2K3	1-H12
N326-18-X56	1-G11	N370-18-300B	1-E11	0338-19-245A	1-L11	BV04-19-531	1-G13	0338-19-735	1-E12	N326-20-200A	1-J5	BV01-21-201	1-H12
N326-18-X57	1-H11	N336-18-361	1-D11	0338-19-247	1-L11	BV01-19-533	1-G13	0338-19-737	1-E12	N326-20-210A	1-J5	BV01-21-202	1-H12
F214-18-X60	1-G11	N350-18-381	1-D11	0338-19-248	1-L11	BV04-19-533	1-G13	0338-19-739	1-F12	N350-20-220	1-J5	BV01-21-204	1-H12
N326-18-X60	1-G11	N326-18-397	1-D11	0338-19-255	1-L11	BV03-19-534	1-G13	BV09-19-750	1-J12	JF01-20-250B	1-K5	BV01-21-207	1-H12
N327-18-X60	1-G11	N318-18-400	1-G11	BV01-19-256	1-C12	0338-19-534	1-G13	BV01-19-760F	1-J12	N370-20-285A	1-N6	BV01-21-211	1-H12
N326-18-X62	1-H11	N318-18-400A	1-G11	BV01-19-257	1-C12	0338-19-534	1-G13	0338-19-768	1-J12	8574-20-309	1-E6	BV01-21-213	1-H12
N326-18-X65	1-G11	N326-18-400	1-G11	0338-19-258	1-C12		1-L11	BV01-19-771	1-J12	B305-20-341	1-N6	BV01-21-214	1-H12
N327-18-X65	1-G11	N326-18-400A	1-G11		1-L11	BV09-19-540	1-G13	0338-19-772	1-J12	N350-20-341	1-N6	BV03-21-215A	1-H12
F214-18-X66	1-I11	N327-18-400	1-G11	BV09-19-310	1-C12	BV04-19-560	1-G13	0338-19-773	1-J12	N318-20-342	1-K6	BV01-21-216	1-H12
N319-18-X66	1-I11	N327-18-401	1-D11	0338-19-331A	1-C12	BV04-19-565	1-G13	BV01-19-774A	1-J12	N332-20-342A	1-N6	BV01-21-217	1-H12
JE01-18-X70	1-H11	JE15-18-51X	4-C5	0338-19-336	1-D12	BV04-19-566	1-G13	BV01-19-775A	1-J12	N318-20-344	1-N6	BV01-21-217	1-H12
JF01-18-X70	1-H11	E566-18-520	1-J11	0338-19-337	1-D12	BV02-19-567	1-G13	1758-19-781	1-J12	N370-20-344A	1-D5	BV01-21-222A	1-H12
N318-18-X71	1-I11	E566-18-520A	1-J11	0338-19-338	1-D12	BV04-19-570	1-G13	BV01-19-785	1-J12	N370-20-344B	1-D5	BV01-21-224	1-H12
N326-18-X71	1-I11	N251-18-520	1-J11	0397-19-340	1-D12	0338-19-590	1-L13	BV01-19-786	1-J12	N370-20-345	1-N6	BV01-21-224	1-H12
N327-18-X71	1-I11	N251-18-520A	1-J11	0338-19-341	1-D12	0338-19-591	1-L13	BV01-19-787A	1-J12	N370-20-345A	1-N6	BV01-21-229A	1-H12
N318-18-X80	1-H11	FE50-18-522	1-J11	0338-19-360B	1-E13	0338-19-593	1-L13	BV01-19-788	1-J12	N351-20-381	1-N6	BV01-21-250A	1-G12
N320-18-X80	1-H11	N350-18-522	1-J11	0338-19-361B	1-D12	0338-19-594	1-L13	0338-19-791A	1-K12	N370-20-381	1-K5	BV01-21-253	1-G12
N326-18-X87	1-I11	N318-18-59XE	1-J11	BV17-19-363	1-D12	0338-19-595	1-L13	BV01-19-792	1-K12	N370-20-381A	1-K5	BV01-21-255	1-G12
JE01-18-X91	1-H11	N318-18-592A	1-J11	FT40-19-363	1-D12	0338-19-596	1-L13	BV01-19-793	1-K12	N350-20-41XA	1-N6	BV01-21-261	1-H12
N326-18-X91	1-H11	N318-18-593C	1-J11	BV02-19-368	1-D12	0338-19-598	1-G13	0338-19-795B	1-K12	N350-20-41XB	1-N6	FU01-21-261C	1-H12
N326-18-X92	1-H11	N318-18-599	4-K12	BV02-19-381	1-D12	BV01-19-6C1	1-H13	BV01-19-797A	1-K12	N370-20-41XA	1-N6	FU01-21-262C	1-H12
N326-18-X93	1-H11	E301-18-768	3-J6	3959-19-381	1-D12	BV03-19-6C1	1-I13	BV01-19-798	1-K12	N372-20-41XA	1-N6	FU01-21-263C	1-H12
E356-18-X95	1-H11	N326-18-811B	4-C5	3959-19-384	1-D12	BV01-19-6C2	1-H13	BV01-19-8A2	1-K12	N350-20-41YA	1-N6	FU01-21-265C	1-H12
N350-18-0FYA	4-N7	N350-18-811	4-C5	BV02-19-385	1-D12	BV03-19-6C2	1-I13	BV01-19-8A9	1-K12	N350-20-41YB	1-N6	BV01-21-267	1-H12
N350-18-0FYB	4-N7	N326-18-821A	4-C5	0338-19-385A	1-D12	BV01-19-6C3	1-H13	BV01-19-8B2	1-K12	N350-20-41YC	1-C7	BV01-21-268	1-H12
N350-18-0FY	4-N7	N374-18-831	4-C5	0338-19-386A	1-E12	BV03-19-6C3	1-I13	BV01-19-803	1-K12	N350-20-410B	1-L6	BV01-21-269	1-H12
N370-18-0FY	4-N7	N322-18-835A	4-C5	0338-19-388A	1-E12	BV01-19-6C4	1-H13	BV01-19-805C	1-K12	N350-20-410C	1-L6	BV01-21-271	1-G12
N350-18-052B	4-N7	N350-18-835	4-C5	0338-19-389	1-E12	BV03-19-6C4	1-I13	0338-19-808	1-K12	N370-20-410C	1-K6	BV01-21-274	1-G12
N350-18-052C	4-N7	PN41-18-840	4-C5	BV02-19-391	1-E12	BV01-19-6C5	1-H13	BV01-19-811B	1-K12	B612-20-468	4-H8	BV01-21-275	1-G12
N350-18-052D	4-N7	8574-18-840	4-C5	1758-19-392A	1-E12	BV03-19-6C5	1-I13	BV01-19-812A	1-K12	N326-20-490	1-G5	BV01-21-277	1-G12
N370-18-052B	4-N7	N326-18-345	4-C5	BV01-19-394	1-E12	BV01-19-6C6	1-H13	0338-19-814	1-L12	N370-20-500A	2-I8	BV01-21-292A	4-E5
N370-18-052D	4-N7	N350-18-861	4-D5	1758-19-394A	1-E12	BV03-19-6C6	1-I13	BV01-19-815	1-L12	E508-20-523	1-E5	BV01-21-294	4-E5
N387-18-052B	4-N7	FE30-18-867A	1-G6	0338-19-395	1-E12	BV01-19-6C7	1-H13	BV01-19-819	1-L12		1-M4	BV01-21-294	1-H12
N387-18-052C	4-N7	N350-18-880	4-D5	1758-19-397	1-E12	BV03-19-6C7	1-I13	0338-19-822	1-F12	N350-20-550A	2-G8	BV01-21-295	4-E5
N327-18-057C	4-N7	N351-18-880	4-D5	0338-19-398	1-E12	BV01-19-6C8	1-H13	BV04-19-823A	1-F12	N350-20-600A	2-E8	BV01-21-296	1-H12
N327-18-057D	4-N7	N352-18-880	4-D5	BV17-19-431	1-C14	BV03-19-6C8	1-I13	0338-19-825	1-F12	N370-20-600	2-I8	BV01-21-297	1-H12
N332-18-057A	4-N7	N353-18-880	4-D5	0338-19-432	1-C14	BT08-19-600	1-L13	0338-19-826	1-F12	N350-20-65Y	1-L6	BV01-21-299	1-H12
N350-18-057	4-N7	N370-18-880	4-D5	0338-19-433A	1-C14	0338-19-603	1-L13	0338-19-827	1-F12	N370-20-65Y	1-C7	BV01-21-3A0A	1-H12
N326-18-100B	1-N10	N326-18-883	4-D5	BV17-19-440	1-C14	0338-19-604	1-M13	0338-19-828	1-F12	N350-20-66Y	1-L6	BV09-21-3A5	4-E5
N327-18-100	1-N10	HE21-18-885A	4-D5	BV45-19-443	1-C14	0338-19-606	1-M13	0338-19-829	1-F12	N370-20-66YA	1-C7	BV01-21-301	1-H12
N338-18-100	1-N10	N326-18-885A	4-D5	BV09-19-444	4-D5	0338-19-607	1-M13	0338-19-831	1-F12	N350-20-660	1-C7	BV01-21-302	1-H12
N339-18-100	1-N10	N387-18-885A	4-D5	0338-19-446	4-D5	0338-19-609	1-M13	0338-19-832	1-F12	N370-20-660A	1-C7	BV02-21-302	1-H12
N326-18-105	1-C11	N326-18-890A	2-E8	0338-19-449	1-C14	BV17-19-610	1-M13	0338-19-833	1-F12	N350-20-661	1-C7	BV01-21-303	1-H12
N3X6-18-110	1-N10		2-I8	BV17-19-450	1-C14	1758-19-613	1-M13	0338-19-835B	1-F12	N318-20-662A	1-K6	BV01-21-305B	1-C13
N328-18-110	1-N10		4-D5	BV03-19-460B	1-E13	1758-19-614	1-M13	BV02-19-836	1-F12	N350-20-665	1-L6	BV01-21-306	1-C13
N329-18-110	1-N10	N351-18-9E1B	4-D5	BV01-19-470B	1-E13	1758-19-615	1-M13	0338-19-837	1-F12	N350-20-666	1-L6	BV01-21-320D	1-H12
N342-18-110	1-N10	N351-18-9E1C	4-D5	0338-19-475	1-E13	1758-19-616	1-M13	BV17-19-838	4-E5	N250-20-725	1-H6	BV01-21-322	1-H12
N343-18-110	1-N10	N350-18-911A	1-E6	BV01-19-476	1-E13	1756-19-617	1-M13	BV02-19-838	1-G12	N304-20-725	1-H6	BV01-21-330	1-H12
0823-18-111	1-G5	N350-18-911B	1-E6	0338-19-476	1-E13	1758-19-618	1-M13	BV09-19-850	1-F12	N326-20-750	2-H8	BV01-21-333	1-C13
N326-18-115A	1-D11	N370-18-911	1-E6	BV01-19-480	1-E13	0338-19-619	1-M13	BV09-19-870	1-G12	N350-20-751	1-K5	BV01-21-336	1-H12
N319-18-14Y	4-H8	N380-18-911	1-E6	0338-19-480	1-E13	0338-19-621	1-G13	BV05-19-880A	1-G12	N370-20-751	1-K5	BV20-21-391	1-H12
N350-18-14Y	4-H8	N304-18-912	1-E6	0338-19-486	1-E13	0338-19-622	1-H13	BV17-19-890B	1-G12	N350-20-752	1-G6	BV01-21-395	1-H12
N318-18-140C	1-C11		1-L4	0338-19-487	1-E13		1-M13	BV09-19-980A	1-L11	N370-20-752	1-G6	BV01-21-446	1-C13
N326-18-140B	1-C11	N318-18-921	4-D5	0338-19-488	1-E13	0338-19-623	1-H13	BV09-19-904	1-L11	N326-20-811	1-G5		1-H12
N326-18-140C	1-C11	N361-18-945B	4-C5	BV17-19-498	1-E13	0338-19-623A	1-H13	BV09-19-910	1-L11	N318-20-820	1-N4	BV01-21-5A1	1-I13
N380-18-140	1-C11	N361-18-946A	4-C5	0338-19-498	1-E13	0338-19-624	1-H13	BV09-19-910A	1-L11	N332-20-820B	1-C7	BV01-21-5A2	1-I13
N318-18-141	1-C11	N350-18-996	1-E6	BV01-19-499	1-E13	0338-19-631	1-H13	BV09-19-920	1-L11	N350-20-840A	2-G8	BV01-21-5A3	1-I13
N326-18-141	1-C11			FT01-19-499	1-E13	0338-19-632	1-H13	BV09-19-920B	1-L11	N370-20-840	2-K8	BV01-21-5A4	1-I13
N326-18-141A	1-C11	*****		BV04-19-5K0	1-L13	0338-19-633	1-H13	BV09-19-930	1-L11	N332-20-850A	2-K8	BV01-21-5A5	1-I13
N380-18-141	1-C11	* 19-000 *		BV04-19-5K1	1-L13	0338-19-634	1-H13	BV09-19-930B	1-L11	1480-20-950A	1-C7	BV09-21-5M1	4-E5
N318-18-144	1-C11	*		BV17-19-500	1-E13	0338-19-635	1-H13	BV17-19-938B	1-M11			BV01-21-510B	1-I13
N326-18-144	1-C11	*****		1758-19-503	1-F13	0338-19-636	1-H13	BV09-19-938A	1-M11			BV01-21-530C	1-I13
N326-18-151	1-C11			3959-19-503	1-F13	0338-19-639	1-H13	BV17-19-934B	1-M11			BV01-21-533	1-J13
N318-18-160B	1-C11	BV17-19-020B	1-K11	1758-19-504	1-F13	BV01-19-650	1-M13	BV17-19-940	1-M11	* 21-000 *		BV01-21-534	1-J13
N326-18-160B	1-C11	3959-19-504	1-F13	BV02-19-505	1-F13	BV01-19-655	1-M13	BV09-19-960	1-G12			BV01-21-535	1-I13
N318-18-170B	1-C11	0842-19-025	1-K11	BV02-19-505	1-F13	0436-19-656	1-M13	BV17-19-961A	1-M11			BV01-21-536	1-J13
N326-18-170B	1-C11	BV09-19-027	1-K11	1758-19-505	1-F13			BV09-19-980	1-M11			BV01-21-540B	1-J13
N318-18-180B	1-D11	BV09-19-031	1-C14	3959-19-505	1-F13	BV10-19-980	1-M11	BV10-19-980	1-M11			BV01-21-548	4-E5
N326-18-180B	1-D11	BV09-19-040	1-C12	BV02-19-506	1-F13	0338-19-676	1-M13	BV10-19-986	1-M11			BV01-21-560	1-J13
N318-18-190B	1-C11	BV1											

PART NUMBER INDEX / INDEX DES NUMEROS DE PIECES / TEILENUMMER-INDEX / INDICE DE NUMERO DE PARTES

***** * 50-000 * *****	FC01-50-6W0A3G 3-H4 FC01-50-6W0A5D 3-H4 FC01-50-6W0A6H 3-H4 FB01-50-601A 3-L3 FB01-50-611C 3-L3 FB01-50-615C 3-L3 F044-50-650B 3-G6 F044-50-653A 3-G6 F044-50-655A 3-G6 F044-50-655B 3-G6 F044-50-656A 3-G6 FC01-50-681APZ 3-F4 FC01-50-681ASQ 3-F4 FC01-50-681AUC 3-F4 FC01-50-681AWY 3-F4 FC01-50-681AIF 3-F4 FC01-50-681A3G 3-F4 FC01-50-681A5D 3-F4 FC01-50-681A6H 3-F4 FC01-50-682 PZ 3-F4	8AF1-50-860 3-L3 8AF1-50-870 3-L3 FB01-50-891 4-M3 FB01-50-893 4-M3 4-N3 FB67-50-894 4-N3 FB01-50-895A 4-M3 FB01-50-896 4-M3 FB01-50-897 4-M3 4-N3 B250-50-9V2 3-F6 H005-50-905 3-K3 FB01-50-942A 3-M3 FB01-50-943A 3-M3 FB01-50-945 3-E4 FB01-50-981B 3-D14 FB67-50-981A 3-G14 FB01-50-985B 3-D14 FB67-50-985A 3-G14	FC17-51-PS7 PZ 3-C4 FC17-51-PS7 SQ 3-C4 FC17-51-PS7 UC 3-C4 FC17-51-PS7 WF 3-C4 FC17-51-PS7 1F 3-C4 FC17-51-PS7 3G 3-C4 FC17-51-PS7 5D 3-D4 FC17-51-PS7 6H 3-D4 FC17-51-PS8 PZ 3-D4 FC17-51-PS8 SQ 3-D4 FC17-51-PS8 UC 3-D4 FC17-51-PS8 WF 3-D4 FC17-51-PS8 1F 3-D4 FC17-51-PS8 3G 3-D4 FC17-51-PS8 5D 3-D4 FC17-51-PS9 3-M3 FB01-51-061 3-L4 FB06-51-031 3-L4 FB01-51-032 3-L4	FC33-51-170A 3-I5 FB01-51-172 3-K5 FC01-51-180 3-I5 FC01-51-180A 3-I5 FC33-51-180 3-I5 FC33-51-180A 3-I5 8BF1-51-270 3-K5 FB67-51-272 3-K5 FB67-51-273 3-K5 FB67-51-276 3-K5 FB01-51-360B 3-J4 FB01-51-370B 3-J4 G113-51-401 3-J3 3972-51-402 3-J3 FB01-51-403A 3-J3 FB01-51-404A 3-J3 FB01-51-405A 3-J3 FB01-51-406A 3-J3 8965-51-406 3-J3 FB01-51-407 3-J3	FC04-51-667 3-E5 FC04-51-668 3-E5 FC04-51-669 3-E5 FC01-51-6H0A 3-E5 FC04-51-6H1 3-E5 FC01-51-6H2 3-E5 FC04-51-6H2 3-E5 FC04-51-6H3 3-F5 FC04-51-6H5 3-E5 FC04-51-6H6A 3-E5 FC04-51-6H7 3-E5 FC01-51-6H9 3-E5 FC04-51-6H9 3-E5 8AF2-51-610 3-K4 8AF3-51-610 3-K4 FB01-51-611 3-L4 FB01-51-621A 3-L4 FB01-51-622A 3-L4 FB01-51-623 3-J4	FC17-51-9H0A3G 4-E13 FC17-51-9H0A5D 4-E13 FC17-51-9H0A6H 4-E13 FC01-51-9J1A 4-E13 FC01-51-9K1A 4-E13 FB01-51-9K2 3-D4 FB02-51-9LXB 4-E13 FC01-51-9L1A 4-E13 FB02-51-9MXB 4-E13 S232-51-906 3-G3 FC01-51-910 3-F6 F044-51-912 3-F6 FC01-51-917 3-F6 FB01-51-920A 3-F6 FB01-51-922 3-F6 FC01-51-930 3-F6 FB01-51-940A 3-F6 FC17-51-960APZ 4-F13 FC17-51-960ASQ 4-F13 FC17-51-960AUC 4-F13	
FC01-50-180 3-F3 FC01-50-1C0 3-F3 FC01-50-1D0 3-G3 FC01-50-1E0 3-G3 KA01-50-162 3-F3 FC01-50-111 3-G3 FC01-50-112 3-G3 FB01-50-132 3-F3 FB01-50-133 3-G3 FB01-50-140 3-F3 FB01-50-144 3-G3 3597-50-152 3-H3 FC01-50-180 3-F3 FC01-50-221A 3-H3 BF82-50-233 3-G5 FB01-50-280 3-H3 G030-50-285 3-H3 FB01-50-290 3-H3 FC01-50-312 3-H3 FC01-50-313 3-H3	FC01-50-682 SQ 3-F4 FC01-50-682 UC 3-F4 FC01-50-682 WY 3-F4 FC01-50-682 1F 3-F4 FC01-50-682 3G 3-F4 FC01-50-682 3D 3-F4 FC01-50-682 6H 3-F4 FC01-50-683APZ 3-G4 FC01-50-683ASQ 3-G4 FC01-50-683AUC 3-G4 FC01-50-683AWY 3-G4 FC01-50-683A1F 3-G4 FC01-50-683A3G 3-G4 FC01-50-683A5D 3-G4 FC01-50-683A6H 3-G4 FC01-50-691APZ 3-F4 FC01-50-691ASQ 3-F4 FC01-50-691AUC 3-F4 FC01-50-691AWY 3-F4 FC01-50-691A1F 3-F4	FC17-51-PJ0APZ 3-M3 FC17-51-PJ0ASQ 3-M3 FC17-51-PJ0AUC 3-M3 FC17-51-PJ0AWY 3-M3 FC17-51-PJ0A1F 3-M3 FC17-51-PJ0A3G 3-M3 FC17-51-PJ0A5D 3-M3 FC17-51-PJ0A6H 3-M3 FC17-51-PJ2 3-M3 FC17-51-PK0APZ 3-N3 FC17-51-PK0ASQ 3-N3 FC17-51-PK0AUC 3-N3 FC17-51-PK0AWY 3-N3 FC17-51-PK0A1F 3-N3 FC17-51-PK0A3G 3-N3	8BF1-51-032 3-L4 BA03-51-033 3-L4 8239-51-035 3-L4 FB01-51-036 3-L4 FC42-51-036 3-L4 FB01-51-037 3-L4 FB01-51-042 3-L4 8BF1-51-042 3-L4 FB01-51-047 3-L4 8BF4-51-060 3-C5 FC01-51-061 3-C5 FC01-51-062 3-C5 FC01-51-065 3-C5 FC01-51-066 3-C5 8BF4-51-070 3-C5 FC01-51-071 3-C5 FC01-51-072 3-C5 FC01-51-076 3-C5 FC01-51-101 3-M5 FC33-51-101 3-M5	FB01-51-408 4-K12 FB01-51-411A 3-J4 8871-51-411 3-J4 FB01-51-421A 3-J4 FC01-51-440 02 3-M5 FC01-51-441 3-M5 8545-51-460 3-M5 8545-51-461 3-M5 FC01-51-5E1 3-C5 FC01-51-5E2 3-D5 FC01-51-5F1 3-D5 FB01-51-510E 3-J4 FB01-51-510F 3-J4 FB01-51-511A 3-J4 H001-51-511 3-J4 FB01-51-512 3-J4 FB01-51-513D 3-K4 H001-51-513 3-M4 FB01-51-514 3-K4 FB01-51-514A 3-K4	FC04-51-675 3-F5 FC04-51-680A 3-E5	FC04-51-685 3-F5 FC04-51-688A 3-F5 FC04-51-690A 3-F5 FC04-51-698 3-F5 FB02-51-720 4-C6 FB02-51-740 4-C6 FB05-51-761 01 3-C6 FB05-51-761 08 4-C6 FB51-51-761 08 3-C6 FB51-51-761 10 3-C6 FC02-51-761 18 3-C6 FC02-51-761 30 3-C6 FC05-51-761 18 3-C6 FC05-51-761 30 3-C6 H001-51-782 3-C6 FC01-51-811 3-K3 FC01-51-812 3-J3 FC01-51-813 3-J3 B002-51-814 3-J3 FB01-51-814 3-J3	FB02-51-964A 4-G13 FB01-51-966B 4-G13 FB02-51-966 4-G13 FC17-51-967 4-G13 FC17-51-968 4-G13 FC17-51-969 4-G13 8129-51-993 3-D4
H115-50-313A 3-E4 FB01-50-321 3-H3 FB01-50-330B 3-H3 FB01-50-350 3-H3 FB01-50-360 3-H3 FB01-50-370 3-H3 FB01-50-380 3-H3 FB01-50-390 3-I3 F044-50-425 3-I6 H260-50-6A7 3-L3 FB01-50-6A8 3-L3 FC01-50-6R0APZ 3-E4 FC01-50-6R0ASQ 3-E4 FC01-50-6R0AUC 3-E4 FC01-50-6R0AWY 3-E4 FC01-50-6R0A1F 3-E4 FC01-50-6R0A3G 3-E4 FC01-50-6R0A5D 3-E4 FC01-50-6R0A6H 3-E4 FC01-50-6S0APZ 3-E4	FC01-50-691A3G 3-F4 FC01-50-691A5D 3-F4 FC01-50-691A6H 3-F4 FC01-50-692 PZ 3-F4 FC01-50-692 SQ 3-F4 FC01-50-692 UC 3-F4 FC01-50-692 WY 3-F4 FC01-50-692 1F 3-G4 FC01-50-692 3G 3-G4 FC01-50-692 5D 3-G4 FC01-50-692 6H 3-G4 FC01-50-693APZ 3-G4 FC01-50-693ASQ 3-G4 FC01-50-693AUC 3-G4 FC01-50-693AWY 3-G4 FC01-50-693A1F 3-G4 FC01-50-693A3G 3-G4 FC01-50-693A5D 3-G4 FC01-50-693A6H 3-G4 F044-50-7M1 3-G6	FC17-51-PK0A5D 3-N3 FC17-51-PK0A6H 3-N3 FC17-51-PK0BPZ 3-N3 FC17-51-PK0BSQ 3-N3 FC17-51-PK0BUC 3-N3 FC17-51-PK0BWF 3-N3 FC17-51-PK0B1F 3-N3 FC17-51-PK0B3G 3-N3 FC17-51-PK0B5D 3-N3 FC17-51-PK0B6H 3-N3 FC17-51-PP0APZ 3-M3 FC17-51-PP0ASQ 3-M3 FC17-51-PP0AUC 3-M3 FC17-51-PP0AWY 3-M3 FC17-51-PP0A1F 3-M3 FC17-51-PP0A3G 3-M3 FC17-51-PP0A5D 3-M3 FC17-51-PP0A6H 3-M3 FC17-51-PR0APZ 3-N3 FC17-51-PR0ASQ 3-N3	FC01-51-1H1 3-H5 FC33-51-1H1 3-H5 8BF1-51-120 3-C5 8BF5-51-120 3-C5 FB01-51-123 3-D5 8BF1-51-130 3-C5 8BF5-51-130 3-C5 FB01-51-133 3-D5 FB01-51-141 3-H5 FB67-51-141 3-H5 8BF4-51-150 3-H5 8BF8-51-150 3-H5 FC01-51-151 3-H5 FC01-51-151A 3-H5 FC33-51-151 3-H5 FC33-51-151A 3-H5 FC01-51-152 3-J5 FC01-51-152A 3-J5 FC01-51-155 3-H5 FB01-51-156 3-I5	8BF1-51-560 3-K5 FB01-51-565 3-L5 FB01-51-580B 3-J5 FB01-51-582A 3-J5 FB01-51-583A 3-J5 FB01-51-584A 3-J5 FB01-51-586 3-J5 FB01-51-587 3-J5 FB05-51-590 3-H16 3-J15 FB05-51-591 3-H16 3-J15 FC01-51-600A 3-D5 FC04-51-661 3-D5 FC01-51-662 3-D5 FC04-51-662 3-D5 FC04-51-663 3-F5 FC04-51-664 3-D5 FC04-51-665 3-D5 FC04-51-666A 3-D5	UB39-51-815 4-L8 FB01-51-816 3-J3 4-J8 4-L8 3-J3 3-E7 3-J7 3-N6 3-K3 3-F6 3-D4 3-D4 4-E13 4-E13 4-E13 3-D5 3-E8 4-E13	FB01-52-310J 3-G6 F049-52-310N 3-G6 0866-52-398A 2-E7 2-L10 FB01-52-410E 3-G6 FB13-52-410E 3-G6 FB01-52-420E 3-M6 FB13-52-420E 3-M6 0866-52-451 3-M4 FB01-52-510D 3-M6 FB01-52-512 3-M6 FB01-52-514B 3-M6 FB67-52-514 3-M6 FB01-52-518 3-M6 FB01-52-519A 3-M6 FB67-52-610A 3-J6 FB67-52-710A 3-J6 FB67-52-720A 3-J6 FB67-52-750 3-E8 FB67-52-760 3-E8	
FC01-50-6S0ASQ 3-E4 FC01-50-6S0AUC 3-E4 FC01-50-6S0AWY 3-E4 FC01-50-6S0A1F 3-E4 FC01-50-6S0A3G 3-E4 FC01-50-6S0A5D 3-E4 FC01-50-6S0A6H 3-E4 G043-50-753 3-E6 FB01-50-790B 3-E6 FB01-50-792 3-E6 FB01-50-795A 3-F6 UB39-50-795 3-M4 FB01-50-818 3-E6 FB01-50-861 3-E6 FB67-50-850B 3-E6 FC01-50-850 3-E6 FB67-50-852 3-E6 FB67-50-853 3-E6 FB67-50-854 3-E6 FB67-50-855A 3-E6 FB67-50-856A 3-F6 FB67-50-857A 3-E6	F044-50-7M1A 3-G6 F044-50-7M2 3-G6 FB01-50-7P1A 3-E6 FB01-50-733 4-E13 G043-50-753 3-E6 FB67-50-764A 4-K11 FB01-50-790B 3-E6 FB01-50-792 3-E6 FB01-50-795A 3-F6 UB39-50-795 3-M4 FB01-50-818 3-E6 FB01-50-861 3-E6 FB67-50-850B 3-E6 FC01-50-850 3-E6 FB67-50-852 3-E6 FB67-50-853 3-E6 FB67-50-854 3-E6 FB67-50-855A 3-E6 FB67-50-856A 3-F6 FB67-50-857A 3-E6	FC17-51-PR0AUC 3-N3 FC17-51-PR0AWY 3-N3 FC17-51-PR0A1F 3-N3 FC17-51-PR0A3G 3-N3 FC17-51-PR0A5D 3-N3 FC17-51-PR0A6H 3-N3 FC17-51-PR0BPZ 3-C4 FC17-51-PR0BSQ 3-C4 FC17-51-PR0BUC 3-C4 FC17-51-PR0BWF 3-C4 FC17-51-PR0B1F 3-C4 FC17-51-PR0B3G 3-C4 FC17-51-PR0B5D 3-C4 FC17-51-PR0B6H 3-C4 FC17-51-PS1A 3-C4 FC17-51-PS2 3-C4 FC17-51-PS3 3-C4 FC17-51-PS5 3-C4 FC17-51-PS6 3-C4 FC18-51-PS6 3-C4	FB01-51-157 3-K5 FC01-51-159 3-I5 FC01-51-159A 3-I5 FC33-51-159 3-I5 FC33-51-159A 3-I5 8BF4-51-160 3-H5 8BF8-51-160 3-H5 FC01-51-161 3-I5 FC01-51-161A 3-I5 FC33-51-161 3-I5 FC33-51-161A 3-I5 FC01-51-162 3-J5 FC01-51-162A 3-J5 FC01-51-169 3-I5 FC01-51-169A 3-I5 FC33-51-169 3-I5 FC33-51-169A 3-I5 FC01-51-170 3-H5 FC01-51-170A 3-I5 FC33-51-170 3-I5	8BF1-51-550 3-K5 FB01-51-552A 3-K5 FB01-51-554 3-K5 FB01-51-555 3-K5	FB01-51-819 3-J3 4-L8 3-K3 3-E7 3-J7 3-N6 3-K3 3-F6 3-D4 3-D4 4-E13 4-E13 4-E13 3-D5 3-E8 4-E13	FB01-52-819 3-J3 4-L8 3-K3 3-E7 3-J7 3-N6 3-K3 3-F6 3-D4 3-D4 4-E13 4-E13 4-E13 3-D5 3-E8 4-E13	
FC01-50-6W0A1F 3-H4	FC01-50-6W0A1F 3-H4	FC18-51-PS6 3-C4	FC33-51-170 3-I5	FC04-51-666A 3-D5	FC17-51-9H0A1F 4-E13	FC17-51-9H0A1F 4-E13	

PART NUMBER INDEX / INDEX DES NUMEROS DE PIÉCES / TEILENUMMER-INDEX / INDICE DE NUMERO DE PARTES

*****	FB67-53-38YC	3-G7	*****	FC33-54-790	3-I8	FC06-55-710	3-D10	FB67-56-740	3-I6	NA01-57-K92	4-K12
*	FB01-53-391A	3-G7	*****	FB01-54-796	3-C9	FC33-55-710	3-D10	FB67-56-76XB	3-K9	FC67-57-K95	2-F5
*	FB67-53-391A	3-H7	*	*****	3-G9	FC66-55-710	3-D10	FB01-56-761	3-I7	FC66-57-K93	2-F5
*	53-000	*	*	54-000	*	FB01-55-713	3-D10	FC01-56-770	3-H6	FC66-57-K99	2-F5
*	*****	*	*****	*****	*	FB01-55-714	3-D10	FB01-56-780D	3-I6	B455-57-05X	3-F13
*****	*****	*****	*****	*****	*****	*****	*****	FB67-56-780	3-G9	*****	3-L11
FB67-53-021	3-C7	FB01-53-592B	3-L7	FB67-54-021	3-C7	*****	*****	FB01-56-786A	3-I6	UB40-57-05X	3-F13
FB01-53-100M	3-L6	FB67-53-592	3-E8	FB67-54-101	3-D7	* 54-000	*	FB01-56-787A	3-I6	FCY3-57-100 02	3-F13
FB01-53-100N	3-L6	FC01-53-600	3-M8	FB67-54-102	3-D7	*	*	UB39-56-799	4-K12	FCY3-57-100 48	3-F13
FB67-53-100C	3-C7	FC07-53-600	3-M8	FB67-54-103	3-D7	*****	*****	FB67-56-802	3-J6	FCY4-57-100 02	3-L11
FB67-53-100D	3-C7	FC33-53-600A	3-D9	FB01-54-110B	3-D7	*****	*****	FB01-56-81X	3-E7	FCY6-57-100 48	3-L11
FC66-53-100	3-C7	FC47-53-600A	3-D9	*****	3-M6	FB01-56-030	1-J11	FC01-56-812	3-M6	FCY5-57-100 02	3-L11
FB67-53-101	3-C7	FB67-53-603A	3-D9	FB01-54-12XD	3-M6	BC01-56-951	3-H9	FC01-56-811	3-E7	FCY5-57-100 48	3-L11
FB67-53-102	3-C7	FB67-53-606	3-D9	FB01-54-12XE	3-M6	FB67-56-051	3-H9	FC01-56-812	3-M6	FC11-57-100A02	3-L11
FB01-53-110A	3-D7	FB67-53-607A	3-D9	FB67-54-12XC	3-D7	1011-56-051	3-H9	FB01-56-812	3-E7	FC11-57-100A19	3-L11
*****	*****	FB67-53-612A	3-D9	FB67-54-12XD	3-D7	B092-56-052	3-H9	*****	3-M6	FC11-57-100A48	3-L11
FB01-53-12XC	3-L6	FB67-53-660	3-D9	FB01-54-120C	3-M6	* H260-56-052	3-H9	FB67-56-820	3-J6	FC11-57-100B02	3-M11
FB01-53-12XD	3-L6	FC01-53-660	3-M8	FB01-54-120D	3-M6	* FB01-56-056	3-H9	*****	3-M6	FC11-57-100B19	3-M11
FB67-53-12XC	3-C7	F056-53-660	3-D9	FB01-54-131A	3-M6	*****	*****	*****	3-J6	FC11-57-100B48	3-M11
*****	*****	*****	*****	*****	*****	*****	*****	*****	*****	*****	*****
FB67-53-12XD	3-C7	FB01-53-685	3-D9	FC01-54-190	3-D7	FC01-55-210A	3-C10	FB67-56-835	3-J6	FC11-57-100C02	3-M11
FB01-53-120B	3-L6	*****	3-M8	*****	3-M6	FC01-55-212	3-C10	FB67-56-840	3-L6	FC11-57-100C19	3-M11
FB01-53-120C	3-L6	FB67-53-698	3-G8	FB01-54-192	3-D7	FB01-55-216A	3-J10	FB02-56-850D	2-F9	FC13-57-100C48	3-L11
FB01-53-131A	3-L6	FC01-53-710	3-D9	*****	3-M6	B001-55-225A	4-G5	*****	4-J3	FC13-57-100A02	3-L11
0187-53-134	4-I3	*****	3-M8	FB01-54-200J	3-H7	FC01-55-225A	3-F10	FB02-56-85GE	4-J3	FC13-57-100A19	3-L11
FB01-53-150D	3-L6	FC01-53-710A	3-D9	FB01-54-200K	3-H7	FC03-55-23Y	4-H6	8BF1-56-860	3-J6	FC13-57-100A48	3-L11
FB67-53-150	3-C7	*****	3-M8	FB67-54-200H	3-H7	FC03-55-235	4-H6	FB01-56-870B	4-J3	FC13-57-100B02	3-M11
FC66-53-150	3-C7	FB67-53-726A	3-G9	FC01-54-200	3-H7	FC04-55-235	4-H6	8BF1-56-870	3-J6	FC13-57-100B19	3-M11
FB01-53-160	3-L6	FB01-53-731B	3-D9	FC33-54-200	3-H7	B092-55-257	3-C10	FB01-56-880B	4-J3	FC13-57-100B48	3-M11
FB67-53-160	3-C7	*****	3-M8	FC49-54-200	3-H7	FC01-55-257	3-C10	FB01-56-880C	4-J3	FC13-57-100C02	3-M11
0305-53-160	3-G9	FB01-53-732	3-M8	FC49-54-200A	3-H7	8545-55-261	3-H10	FB01-56-890	2-F9	FC13-57-100C19	3-M11
*****	*****	*****	3-M8	FC66-54-200	3-H7	8548-55-261	3-H10	FB67-56-890	3-E8	FC13-57-100C48	3-M11
*****	*****	FB01-53-732A	3-D9	FC07-55-280	3-E11	FC07-55-280	3-E11	B130-56-897	3-L6	FC14-57-100A02	3-L11
*****	*****	*****	3-M8	FB01-54-210M	3-G7	G032-55-280A	3-C10	FB67-56-904	3-O3	FC14-57-100A19	3-L11
FC01-53-170	3-L6	FC01-53-74X	3-M8	FB01-54-210N	3-G7	8531-55-422	3-E11	0820-56-905	3-G3	FC14-57-100A48	3-L11
FC33-53-170	3-L6	FC33-53-74X	3-D9	FB67-54-210Q	3-G7	FC01-55-422	3-F10	FB01-56-920	3-K9	FC14-57-100B02	3-M11
FC66-53-170	3-C7	FC33-53-75X	3-E9	FC01-54-210	3-G7	FC66-55-420	3-F10	FB67-56-920D	3-J6	FC14-57-100B19	3-M11
FB01-53-172	3-C7	FC01-53-75Y	3-M8	FC33-54-210	3-G7	FB01-55-422	3-F10	FB67-56-920F	3-J6	FC14-57-100B48	3-M11
*****	*****	FB01-53-750A	3-M8	FC49-54-210	3-G7	FC01-55-423	3-F10	FB67-56-920G	3-J6	FC14-57-100C02	3-M11
FC01-53-18X	3-C7	FB67-53-750A	3-D9	FB67-54-210	3-G7	FB01-55-423	3-F10	FB67-56-930D	3-K6	FC14-57-100C19	3-M11
*****	*****	*****	*****	*****	*****	*****	*****	*****	*****	*****	*****
*****	*****	FB01-53-760B	3-M8	F044-54-210M	3-G7	FC01-55-430A	3-H10	FB67-56-930F	3-K6	FC14-57-100C48	3-M11
FB01-53-180C	3-L6	FB01-53-760H	3-M8	F044-54-210N	3-G7	FC07-55-430A	3-H10	FB01-56-940	3-K9	FC17-57-100A02	3-L11
*****	*****	FB67-53-760A	3-E9	F046-54-225	3-H7	FC17-55-430A	3-H10	FB67-56-940D	3-J6	FC17-57-100A48	3-L11
FC66-53-180	3-D7	FC01-54-240	3-H7	FC01-54-240	3-H7	FB02-55-431	3-C10	FB67-56-940E	3-J6	FC17-57-100B02	3-L11
*****	*****	FC66-54-240B	3-H7	FC66-54-240C	3-H7	FC66-55-431	3-C10	FC17-57-100B48	3-L11	FC17-57-100B48	3-L11
FC01-53-190	3-D7	FB01-54-250A	3-H7	FB01-54-250A	3-H7	FC07-55-432	3-H10	0243-56-231	1-J11	0259-57-109	3-F13
*****	*****	FB01-54-287A	3-E8	FB01-54-287A	3-E8	FB01-55-432	3-H10	0118-56-241	4-I3	*****	3-M11
FB01-53-192	3-D7	FB67-54-287	3-E8	FB67-54-287	3-E8	FB01-55-433	3-C10	8477-56-241	3-H9	FCY3-57-150 02	3-F13
*****	*****	FB01-54-289	3-E8	FC01-55-442	3-H10	FB01-55-433	3-C10	0118-56-242B	3-H9	FCY3-57-150 48	3-F13
FB01-53-200E	3-F7	FC07-55-442	3-H10	FC01-55-442	3-H10	FB01-55-437	3-H10	FB01-56-26X	3-J9	FCY4-57-150 02	3-M11
FB01-53-200F	3-F7	FC17-55-442	3-H10	FC01-55-442	3-H10	FC01-55-441	3-H10	FB01-56-260F	3-J9	FCY4-57-150 48	3-M11
FB34-53-200E	3-F7	FC17-55-442	3-H10	FC01-55-442	3-H10	FC01-55-442	3-H10	FC01-56-27X	3-M13	FCY5-57-150 02	3-M11
FB34-53-200F	3-F7	FC17-55-442	3-H10	FC01-55-442	3-H10	FC07-55-442	3-H10	FC01-56-27X	3-M13	FCY5-57-150 48	3-M11
FB67-53-200D	3-F7	FC17-55-442	3-H10	FC01-55-442	3-H10	FC17-55-442	3-H10	FB01-56-280C	3-J9	FC11-57-150A02	3-M11
FC01-53-200	3-F7	FC17-55-442	3-H10	FC01-55-442	3-H10	FC01-55-444	3-I10	FB67-56-352A	3-J9	FC11-57-150A19	3-M11
FC33-53-200	3-F7	FC17-55-442	3-H10	FC01-55-442	3-H10	FB02-55-447B	3-C10	FB67-56-353A	3-J9	FC11-57-150A48	3-M11
FC49-53-200	3-F7	FC17-55-442	3-H10	FC01-55-442	3-H10	FC01-55-447	3-I10	FB67-56-361A	3-J9	0866-56-971	3-I9
FC66-53-200	3-F7	FC17-55-442	3-H10	FC01-55-442	3-H10	FC02-55-448	3-C10	FB01-56-361A	3-M6	FB01-56-981D	1-J11
FB01-53-210H	3-F7	FC17-55-442	3-H10	FC01-55-442	3-H10	FC06-55-448	3-C10	*****	3-J9	FC01-56-99X	3-K9
FB01-53-210J	3-F7	FC17-55-442	3-H10	FC01-55-442	3-H10	FC07-55-448	3-H10	FB01-56-410B	3-J9	FB01-56-990B	3-J9
*****	*****	FC17-55-442	3-H10	FC01-55-442	3-H10	FC33-55-448	3-C10	FB01-56-414	2-L10	*****	*****
FB34-53-210G	3-F7	FC17-55-442	3-H10	FC01-55-442	3-H10	FC66-55-448	3-D10	*****	3-K9	*****	*****
FB34-53-210H	3-F7	FC17-55-442	3-H10	FC01-55-442	3-H10	*****	*****	FB01-56-616	2-C8	*****	*****
FB67-53-210C	3-F7	FC17-55-442	3-H10	FC01-55-442	3-H10	FC07-55-449	3-H10	*****	3-J9	*****	*****
FC01-53-210	3-F7	FC17-55-442	3-H10	FC01-55-442	3-H10	FC17-55-451	3-I10	FB01-56-620A	3-K9	* 57-000	*
FC33-53-210	3-F7	FC17-55-442	3-H10	FC01-55-442	3-H10	FC17-55-451	3-I10	FB01-56-630C	3-K9	*****	*****
FC49-53-210	3-F7	FC17-55-442	3-H10	FC01-55-442	3-H10	FC07-55-452	3-I10	FB01-56-650C	3-K9	*****	*****
FC66-53-210	3-G7	FC17-55-442	3-H10	FC01-55-442	3-H10	FC01-55-461	3-I10	FB01-56-650D	3-K9	*****	*****
FB34-53-225	3-G7	FC17-55-442	3-H10	FC01-55-442	3-H10	FC17-55-461	3-I10	FB01-56-660C	3-K9	*****	*****
FC01-53-240	3-G7	FC17-55-442	3-H10	FC01-55-442	3-H10	KA01-55-465	3-H10	FB01-56-660D	3-K9	FC13-57-150B48	3-M11
FC66-53-240B	3-G7	FC17-55-442	3-H10	FC01-55-442	3-H10	FC01-55-465	3-H10	FB01-56-660E	3-K9	FC17-57-150A02	3-M11
FC66-53-240C	3-G7	FC17-55-442	3-H10	FC01-55-442	3-H10	FC01-55-471	3-I10	FB01-56-660F	3-K9	FC17-57-150A48	3-M11
FB01-53-250A	3-G7	FC17-55-442	3-H10	FC01-55-442	3-H10	FC17-55-471	3-I10	FB01-56-660G	3-K9	FC04-57-200 02	3-K13
FB01-53-287A	3-L7	FC17-55-442	3-H10	FC01-55-442	3-H10	FC01-55-481	3-I10	FB71-56-470	3-K9	FC04-57-200 48	3-K13
FB67-53-287	3-E8	FC17-55-442	3-H10	FC01-55-442	3-H10	FC01-55-481	3-I10	FC01-56-521A	3-K9	FC04-57-350 02	3-K13
FB01-53-289	3-E8	FC17-55-442	3-H10	FC01-55-442	3-H10	FC17-55-481	3-I10	FB01-56-620E	3-H6	FC04-57-350 19	3-K13
*****	*****	FC17-55-442	3-H10	FC01-55-442	3-H10	FC01-55-489	3-I10	FB02-56-620F	3-H6	FC04-57-350 48	3-K13
FC01-53-310	3-G7	FC17-55-442	3-H10	FC01-55-442	3-H10	FC01-55-491	3-I10	FB02-56-620G	3-H6	FB30-57-510	3-K13
FC33-53-310	3-G7	FC17-55-442	3-H10	FC01-55-442	3-H10	FC66-55-616	4-I5	FB15-56-620F	3-H6	FB10-57-550	3-K13
FC3											

PART NUMBER INDEX / INDEX DES NUMEROS DE PIECES / TEILENUMMER-INDEX / INDICE DE NUMERO DE PARTES

FB01-64-440802	3-G11	FC32-66-AF0	4-K6	FB01-66-162	4-J5	FC01-66-986	4-M6	FC04-67-010E	4-J7	N351-67-071A	1-G5	FB01-67-481	4-K8
FB01-64-440848	3-G11	FC66-66-AF0	4-K6	FC01-66-163	4-J5	FC02-66-9C0	4-I6	FC04-67-010F	4-K7	FC01-67-072A	4-H8	FB02-67-481	4-E9
FB01-64-45X 02	3-G11	FC01-66-AR0	4-I6	FB01-66-164	4-J5	FC02-66-9C0A	4-I6	FC07-67-010G	4-K7	GC77-67-072	3-D11	FB03-67-481	4-K8
FB01-64-45X 48	3-G11	FC01-66-AR0A	4-I6	FC01-66-166	4-J5	FC05-66-9L0A	4-K6	FC07-67-010H	4-J7	HE20-67-072	4-I8	FB05-67-481A	4-M8
FC01-64-45X	3-G11	FC01-66-AT1	4-I6	FC66-66-166	4-J5	FC01-66-9S0	4-I6	FC07-67-010I	4-J7	FB01-67-073A	4-I8	FB01-67-482B	4-K8
FC01-64-450A02	3-G11	FC32-66-AT1	4-I6	FC01-66-167A	4-J5	FC03-66-9W0	4-I6	FC07-67-010J	4-K7	H261-67-099	4-C8	FB05-67-482B	4-M8
FC01-64-450A19	3-G11			FC01-66-168	4-J5	FC03-66-9W0A	4-I6	FC09-67-010K	4-J7	FB01-67-099	4-N7	FB01-67-482C	4-K8
FC01-64-450A48	3-G11	FC01-66-AT2	4-I6	FB01-66-169	4-J5	FC04-66-9W0	4-K6	FC09-67-010L	4-J7	H115-67-099	4-N7	FB01-67-483A	4-J8
FB03-64-451	3-F11	FC32-66-AT2	4-I6	FC01-66-170	4-J5	FC32-66-9W0	4-K6	FC09-67-010M	4-K7	FC01-67-100C	4-L7	FB05-67-483A	4-M8
FB07-64-451	3-F11			FC02-66-170	4-J5	FC66-66-9W0	4-K6	FC09-67-010N	4-K7	FC03-67-100C	4-L7	FB05-67-489	4-L8
FB01-64-452	3-G11	FB03-66-AT3	4-H6	FC01-66-171	4-J5	FC01-66-9Z0	4-J6	FC09-67-010O	4-K7	FC33-67-100	4-L7	FB01-67-5A0A	4-G5
FC01-64-452	3-G11	FC32-66-AT3	4-H6	FC01-66-172	4-J5	FC02-66-9Z0	4-J6	FC18-67-010C	4-J7	FC01-67-190D	4-E8	FB01-67-500C	4-G8
FB01-64-453	3-G11			FC01-66-173	4-K5	FC02-66-9Z0A	4-J6	FC18-67-010D	4-K7	FC01-67-190E	4-E8	FB02-67-500	4-D9
FC01-64-46X	3-G11	FC01-66-AT4	4-I6	FC02-66-173	4-K5	FC04-66-9Z0	4-J6	FC18-67-010E	4-K7	FC02-67-190D	4-E8	FB04-67-500B	4-D9
FB01-64-490B	3-E11	FC01-66-AT7	4-H6	FB01-66-174	4-K5	FC14-66-9Z0	4-L6	FC18-67-010F	4-K7	FC02-67-190E	4-E8	FB05-67-500C	4-L8
FB01-64-491	3-G11	FC04-66-AT7	4-H6	FC01-66-180	4-K5	FC32-66-9Z0	4-L6	FC33-67-010D	4-J7	FC02-67-190F	4-E8	FB01-67-501C	4-L8
H001-64-493	3-G11			FC07-66-180	4-K5	FC66-66-9Z0	4-L6	FC33-67-010E	4-K7	FC04-67-190D	4-E8		4-L8
FB01-64-495	3-G11	FB01-66-A3X	4-M6	FC33-66-180	4-K5	FB76-66-921	4-L6	FC33-67-010F	4-K7	FC04-67-190E	4-E8	FB05-67-501B	4-L8
FC01-64-610	3-E10	HE02-66-A3X	4-M6	FC66-66-180	4-K5	FB01-66-930A	4-M6					H001-67-502	4-J8
FC01-64-612	3-E10												
FC01-64-613	3-E10	FB01-66-A3Y	4-M6	FC01-66-181	4-K5	FB01-66-930B	4-M6	FC33-67-010G	4-K7	FC04-67-190F	4-E8		4-L8
FC01-64-614	3-E10	FB67-66-A3Y	4-D7	FC01-66-182	4-K5	FB02-66-930	4-D7	FC47-67-010C	4-J7	FC33-67-190D	4-E8	H261-67-502	4-L8
FC01-64-621	3-E10	FB01-66-A30	4-M6	FC01-66-183	4-K5	FB02-66-940B	4-E7	FC47-67-010D	4-J7	FC33-67-190E	4-E8	SA70-67-502	4-E9
FC01-64-625	3-E10	FB67-66-A30	4-D7	FB01-66-184	4-K5			FC47-67-010E	4-K7	FC33-67-190F	4-E8	S013-67-502	4-D9
FB01-64-728	3-H11	FB01-66-A32	4-D7	FB01-66-201	4-K12	FB68-66-940B	4-E7	FC47-67-010F	4-K7	FC01-67-200D	4-E8	S084-67-502	4-J8
FB01-64-760	3-H11			FB01-66-241	4-G5	FB01-66-940B	4-N6	FC47-67-010G	4-K7	FC01-67-200E	4-E8		4-L8
FC01-64-760	3-H11	FB01-66-A35	4-M6	FB01-66-250	4-G5	FB02-66-941	4-E7	FC66-67-010D	4-J7	FC01-67-200F	4-E8	S092-67-502	3-K3
FB01-64-770	3-H11	FB67-66-A35	4-D7	UB40-66-251	4-G5			FC66-67-010E	4-K7	FC02-67-200D	4-E8	4116-67-502	4-E9
FC66-64-770	3-H11	FB01-66-A9X	4-D7	FB01-66-310A	4-E6	GB08-66-941	4-D9	FC67-67-010D	4-J7	FC02-67-200E	4-E8		4-E9
FB01-64-822	3-I11			F046-66-310B	4-E6			FC67-67-010E	4-K7	FC02-67-200F	4-E8		4-L8
FB01-64-823	3-I11	FB01-66-A9Y	4-E7	FB44-66-311A	4-E6			FB01-67-012	4-H8	FC04-67-200D	4-E8	FB01-67-503B	4-L8
FB01-64-828	3-H11	HE02-66-A9Z	4-D7	FC01-66-311	4-E6			S083-67-012A	3-L9	FC04-67-200E	4-E8	FB02-67-503A	4-K8
FB01-64-832A	3-I11			B107-66-319	4-E6	FB01-66-945	4-E7	FB01-67-014	4-H8	FC04-67-200F	4-E8	FB03-67-503A	4-M8
FC01-64-832	3-I11			FC01-66-320A	4-E6			FB02-67-019A	4-H8	FC33-67-200D	4-E8	FB04-67-503A	4-L8
FB01-64-833	3-I11	FB01-66-A90	4-E7	FC17-66-320A	4-E6			FB01-67-021	3-G10	FC33-67-200E	4-E8	FB48-67-503A	4-L8
FC01-64-833	3-I11			FB01-66-330	4-E6			FC01-67-030C	4-D8	FC33-67-200F	4-E8	FB01-67-504A	4-J8
FC01-64-840	3-I11	FB01-66-A91	4-D7	FB02-66-330	4-E6	FC06-66-960	4-N6	FC01-67-030D	4-D8	FB55-67-230E	2-M10	FB05-67-504	4-M8
FB01-64-850 02	3-N10	FB01-66-A92	4-D7	FC01-66-34X	4-K5	FC07-66-960	4-N6	FC07-67-030C	4-D8	FB01-67-240A	4-L7	G043-67-506	3-I9
FB01-64-850 19	3-N10			FC66-66-34X	4-M5	FC08-66-960	4-E7	FC07-67-030D	4-D8	8871-67-242	4-M7	G033-67-509	4-E9
FB01-64-850 48	3-N10			FB07-66-360	4-G5			FC33-67-030E	4-D8	S083-67-253	4-I8		
BE32-64-903	3-N10	HE02-66-A94	4-D7	8AF3-66-340	4-E6			FC47-67-030C	4-D8	S113-67-254A	3-F5	G044-67-509	4-E9
BE32-64-904	3-N10			8AF4-66-340	4-E6	FC09-66-960	4-C7	FC47-67-030D	4-D8		3-M4	FB01-67-510	4-K8
FB01-64-905 02	3-L10	HE02-66-A96	4-D7	FC01-66-350B	4-L5	FC10-66-960	4-C7	FC67-67-030B	4-D8		4-I8		4-M8
FB01-64-905 19	3-L10			FC01-66-361	4-E6	FC12-66-960	4-N6	FC67-67-030B	4-D8	FB01-67-280B	4-C8	FB02-67-510	4-D9
FB01-64-905 48	3-L10	FC04-66-BC1	4-J6	B258-66-365	2-J9	FC33-66-960	4-E7	FC67-67-030B	4-D8	FB01-67-280C	4-C8	FB01-67-517	4-E9
FB01-64-911A02	3-C11			UB40-66-365	4-E6	FC66-66-960A	4-E7	UB42-67-031	4-H8	FB01-67-304	4-N8	FB01-67-519A	4-K8
FB01-64-911A19	3-C11	LA05-66-BC2	4-H6	FC01-66-370B	4-L5	FC67-66-960A	4-E7	FC01-67-050D	4-L7	FB01-67-321B	4-N8		4-M8
FB01-64-911A48	3-C11			F044-66-400	4-G5	F055-66-960	3-F13	FC01-67-050F	4-L7	FB02-67-321A	4-N8	FB03-67-519	4-M8
FB01-64-912 02	3-N10	LA05-66-BC3	4-H6	FB01-66-480	2-J9	F056-66-960	3-F13	FC04-67-050D	4-L7	FB02-67-330	4-D9	H260-67-519A	3-I6
FB01-64-912 19	3-C11			8J21-66-450A	2-C11	FC02-66-968	4-C7	FC04-67-050F	4-L7	HE76-67-330	4-N8		4-J8
FB01-64-912 48	3-C11	F055-66-8L1	4-K6	8871-66-450	2-C11			FC18-67-050D	4-L7	HE76-67-330A	4-N8	FB02-67-520A	4-E9
FB01-64-913	3-C11	F055-66-8L2	4-K6	BR70-66-490	2-J9			FC18-67-050F	4-L7	FB02-67-331	4-E9	FC01-67-560	4-M5
FB01-64-914 02	3-C11	FC01-66-8R1	4-J6		2-L9	FB01-66-970	4-G7	FC33-67-050D	4-L7	HE76-67-331	4-N8	FC66-67-560A	4-M5
FB01-64-914 19	3-C11	FC01-66-8R2	4-J6	BR70-66-490A	2-J9	UB42-66-971	4-H8	FC33-67-050E	4-L7	HE76-67-331A	4-N8	FB01-67-564	4-M5
FB01-64-914 48	3-C11	FC01-66-8R3	4-I6		2-L9	Q222-66-971	3-I9	FC66-67-050B	4-L7	FB06-67-350	4-N8	FC01-67-564	4-M5
FB01-64-921A02	3-C11	Q483-66-061A	3-I4	8002-66-490A	2-J9	FC66-66-980A02	4-F7	8001-67-051	4-H8	FB05-67-351	4-C9	FC15-67-564	4-M5
FB01-64-921A19	3-C11	FB01-66-117	4-H5		2-L9	FC66-66-980A48	4-F7	FB01-67-051	4-L3	GJ83-67-354	4-C9	FC66-67-564	4-M5
FB01-64-921A48	3-C11	FB01-66-119	4-H5	LA01-66-490A	2-H9	FC01-66-991B	4-G7	UB42-67-051	4-H8	FB01-67-360C	4-N8	FC01-67-566	4-M5
FB01-64-922 02	3-C11	FB01-66-120	4-H5	FA54-66-540	3-K10	FB01-66-994A	4-G7	W029-67-051A	4-H8	FB06-67-360	4-N8	FC01-67-567	4-M5
FB01-64-922 19	3-C11	FC66-66-120A	4-H5	FB02-66-540	4-D6			8545-67-052	3-D11	FB01-67-361	4-N8	FC01-67-568	4-M5
FB01-64-922 48	3-C11	FB01-66-126	4-H5	G030-66-540B	4-N10			FB02-67-056	4-D9	FB01-67-362	4-N8	FB01-67-569	4-M5
FB01-64-923	3-C11	FB01-66-127	4-H5	LA01-66-546	4-D6			FB02-67-057	4-D9	FB01-67-363	4-N8	NA01-67-7F0	4-M5
FB01-64-924 02	3-C11	FC01-66-130	4-I5	FC66-66-6S0	4-G5	* 67-000 *		F055-67-06A	4-L7	FB06-67-363	4-N8	NA01-67-7G0	4-M5
FB01-64-924 19	3-C11	FC66-66-130	4-H5	FB02-66-600A	4-G5			FC01-67-060	4-L7	FB01-67-364	4-N8	NA01-67-7FA	4-M5
FB01-64-924 48	3-C11	FC01-66-131	4-I5	FC01-66-730	4-I7			FB01-67-060B	4-L7	FB06-67-364	4-N8	NA01-67-7GA	4-M5
H043-64-996A	3-D11	FC01-66-132	4-I5	FC66-66-730A	4-I7	FC66-67-BW1	4-C8	FB02-67-060B	4-L7	FB02-67-366A	4-D9	B311-67-740	4-M5
H199-64-998	3-D11	FC01-66-151	3-D3	FC01-66-731	4-I7	FC01-67-SH0C	4-I7	FB67-67-060A	4-K4	FB01-67-4C0B	4-J8	HR80-67-740	4-M5
		FC02-66-151	3-D3	FC66-66-731	4-I7	FC01-67-SH0D	4-I7	G001-67-061	4-C7	FB05-67-4C0B	4-L8	H270-67-740	4-E5
		H043-66-154	3-D3	H001-66-733	4-I7	FC07-67-SH0C	4-I7			FB01-67-4T0D	4-J8	H320-67-740	4-E5
		BC46-66-158	3-D3	H001-66-739	4-I7	FC03-67-SH0D	4-I7			FB03-67-4T0D	4-J8	H430-67-740	4-E5
		FC01-66-160A	4-I5	FC01-66-760	4-N7	FC01-67-010C	4-I7	FC01-67-070C	4-C8	FB05-67-4T0E	4-L8		4-N5
		FC02-66-160A	4-I5	FC66-66-760A	4-N7	FC01-67-010D	4-I7	FC01-67-070D	4-C8	FB02-67-402A	4-E9	H432-67-740	4-N5
		FC07-66-160A	4-I5	FC01-66-762	4-C8	FC01-67-010E	4-K7	FC07-67-070C	4-C8	FB02-67-406	4-E9	H440-67-740	4-N5
		FC08-66-160A	4-I5	FC66-66-762A	4-C8	FC07-67-010F	4-K7	FC07-67-070D	4-C8	FB03-67-406	4-E9	H320-67-742	4-E5
		FC17-66-160A	4-I5	FB03-66-780	4-D6	FC02-67-010C	4-J7	FC07-67-070E	4-C8	FB02-67-408A	4-F9	H311-67-744	4-F5
		FC18-66-160A	4-I5	FB01-66-790	4-D6	FC02-67-010D	4-J7	FC01-67-07					

PART NUMBER INDEX / INDEX DES NUMEROS DE PIÈCES / TEILENUMMER-INDEX / INDICE DE NUMERO DE PARTES

FC33-67-9A1 4-C6	FB67-68-170A48 4-F10	FB01-68-370 48 4-H10	FC04-68-420A02 3-M15	FC04-68-450 02 3-C16	FC01-68-6H1A02 4-D11	FC02-68-679 48 4-G11
FC66-67-9A2 4-C6	FC01-68-170A02 4-C10	FB67-68-370 32 4-L10	FC04-68-420A19 3-M15	FC04-68-450 19 3-C16	FC01-68-6H1A19 4-D11	FB01-68-681B02 4-G11
FC66-67-9A3 4-C6	FC01-68-170A19 4-C10	FB67-68-370 48 4-L10	FC04-68-420A48 3-M15	FC04-68-450 48 3-C16	FC01-68-6H1A48 4-D11	FB01-68-681B48 4-G11
FB01-67-980E 4-C8	FC01-68-170A48 4-C10	FB01-68-390 02 4-H10	FC04-68-420B02 3-M15	FC04-68-450A02 3-C16	FC01-68-6H1B02 4-D11	FB67-68-681 02 4-L11
*****	FC01-68-170C02 4-C10	FB01-68-390 19 4-H10	FC04-68-420B48 3-M15	FC04-68-450A19 3-C16	FC01-68-6H1B19 4-D11	FB67-68-681 48 4-L11
*	FC01-68-170C19 4-C10	FB01-68-390 48 4-H10	FC06-68-420 02 3-L15	FC04-68-450A48 3-C16	FC 1-68-6H1B48 4-D11	FB67-68-681 48 4-L11
* 68-000 *	FC01-68-170C48 4-C10	FB67-68-390 02 4-L10	FC06-68-420 19 3-M15	FC04-68-450B02 3-D16	FC01-68-6K1A02 4-D11	FB67-68-681A02 4-L11
*****	FC01-68-190 02 4-C10	FB67-68-390 48 4-L10	FC06-68-420 48 3-M15	FC04-68-450B19 3-D16	FC01-68-6K1A19 4-D11	FB67-68-681A48 4-L11
*	FC01-68-190 19 4-C10	FC04-68-4E0 02 3-I16	FC06-68-420A02 3-M15	FC04-68-450B48 3-D16	FC01-68-6K1A48 4-D11	FB09-68-69X 02 4-M11
*****	FC01-68-190 48 4-C10	FC04-68-4E0 19 3-K15	FC06-68-420A19 3-M15	FC06-68-450 02 3-C16	FC01-68-6K1B02 4-D11	FB09-68-69X 19 4-M11
FC01-68-AD1 4-N9	FC01-68-190A02 4-D10	FC04-68-4E0 48 3-I16	FC06-68-420A48 3-M15	FC06-68-450 19 3-C16	FC01-68-6K1B19 4-D11	FB09-68-69X 48 4-M11
FC01-68-AD1A 4-N9	FC01-68-190A19 4-D10	FC04-68-4E0A02 3-K15	FC06-68-420B02 3-M15	FC06-68-450 48 3-C16	FC01-68-6K1B48 4-D11	FB01-68-691D02 4-G11
FC01-68-C11A 4-D11	FC01-68-190A48 4-D10	FC04-68-4E0A19 3-K15	FC06-68-420B19 3-M15	FC06-68-450A02 3-C16	FC01-68-6L1 4-D11	FB01-68-691D19 4-G11
FC01-68-C11B 4-D11	FC20-68-190 02 4-C10	FC04-68-4E0A48 3-I16	FC06-68-420B48 3-M15	FC06-68-450A19 3-C16	FC01-68-6L2 4-D11	FB01-68-691D48 4-G11
FB67-68-G01 4-K11	FC20-68-190 19 4-C10	FC04-68-4E0A19 3-K15	FC17-68-420 02 3-M15	FC06-68-450A48 3-C16	B100-68-615 4-D11	4-D11
FB67-68-0D1 02 4-J9	FC20-68-190 48 4-D10	FC04-68-4E0A48 3-I16	FC17-68-420 19 3-M15	FC06-68-450B02 3-D16	4-K11	FB09-68-696A02 4-M11
FB67-68-0D1 48 4-J9	FC20-68-190A02 4-D10	FC04-68-4E0A48 3-I16	FC17-68-420A02 3-M15	FC06-68-450B48 3-D16	4-D11	FB09-68-696A19 4-M11
FB67-68-0E1 02 4-J9	FC20-68-190A19 4-D10	FC04-68-4E0B02 3-I16	FC17-68-420A48 3-M15	FC17-68-450 02 3-C16	4-E11	FB09-68-696A48 4-M11
FB67-68-0E1 48 4-J9	FB67-68-201 4-K9	FC04-68-4E0B19 3-K15	FC17-68-420B02 3-M15	FC17-68-450 48 3-C16	4-K11	FB01-68-710A02 4-M10
B102-68-012 4-I9	FB67-68-21XC02 4-K9	FC04-68-4E0B48 3-I16	FC33-68-420 02 3-J16	FC17-68-450A02 3-D16	FB01-68-622 4-E11	FB01-68-710A19 4-M10
FB01-68-020 02 4-H9	FB67-68-21XC48 4-K9	FC04-68-4E1B48 3-I16	FC33-68-420 48 3-J16	FC17-68-450A48 3-D16	4-K11	FB01-68-710A48 4-M10
FB01-68-020 19 4-H9	FC01-68-210 02 4-D10	FC01-68-4HC A02 3-K15	FC33-68-420A02 3-J16	FC17-68-450B02 3-E16	FB01-68-624 4-E11	FB67-68-710 48 4-L10
FB01-68-020 48 4-H9	FC01-68-210 19 4-D10	FC01-68-4H A19 3-K15	FC33-68-420A48 3-J16	FC33-68-450 02 3-J16	FB01-68-625 4-E11	FB67-68-712 48 4-L10
FB67-68-020A02 4-J9	FC01-68-210 48 4-D10	FC01-68-4H A48 3-K15	FC33-68-420B02 3-J16	FC33-68-450 48 3-J16	FB01-68-632 4-E11	B003-68-712 4-L10
FB67-68-020A48 4-J9	FC01-68-210A02 4-D10	FC04-68-4Q0 02 3-I16	FC33-68-420B48 3-J16	FC33-68-450A02 3-J16	FB25-68-632 4-E11	B235-68-712 4-L10
FB67-68-03XB02 4-J9	FC01-68-210A19 4-D10	FC04-68-4Q0 19 3-K15	FB67-68-422 3-K16	FC33-68-450A48 3-J16	FB01-68-636A 4-E11	B235-68-719 4-L10
FB67-68-03XB48 4-J9	FC01-68-210A48 4-D10	FC04-68-4Q0 48 3-I16	FB01-68-423 02 3-E16	FC33-68-450B02 3-J16	FB01-68-637 4-E11	FA34-68-719B 4-M12
FC01-68-030 02 4-H9	FC20-68-210 02 4-D10	FC04-68-4Q0A02 3-I16	FB01-68-423 19 3-E16	FC33-68-450B48 3-J16	FB01-68-642 4-E11	FB01-68-719 4-C13
FC01-68-030 19 4-H9	FC20-68-210 19 4-D10	FC04-68-4Q0A19 3-K15	FB01-68-423 48 3-E16	FB67-68-452 3-K16	FB01-68-642 4-E11	H001-68-719B 4-D10
FC01-68-030 48 4-H9	FC20-68-210 48 4-D10	FC04-68-4Q0A48 3-I16	FB01-68-425 02 3-H16	FB01-68-453 02 3-E16	FB01-68-646A 4-E11	4-H10
FC02-68-030 02 4-H9	FC20-68-210A02 4-D10	FC04-68-4Q0A48 3-I16	FB01-68-425 19 3-J15	FB01-68-453 48 3-E16	FB01-68-647 4-E11	FB01-68-720A02 4-H10
FC02-68-030 19 4-H9	FC20-68-210A19 4-D10	FC04-68-4Q0B02 3-I16	FB01-68-425 48 3-H16	FC06-68-453 48 3-E16	FB01-68-652 4-E11	FB01-68-720A19 4-H10
FC02-68-030 48 4-H9	FC20-68-210A48 4-D10	FC04-68-4Q0B19 3-L15	FB01-68-425 19 3-J15	FC06-68-453 48 3-E16	FB01-68-653 4-E11	FB01-68-720A48 4-H10
FC03-68-030 02 4-H9	G030-68-213B 4-I9	FC04-68-4Q0B48 3-I16	FB01-68-425 48 3-H16	FC06-68-453 48 3-E16	FB01-68-658 4-E11	FB67-68-720 02 4-L10
FC03-68-030 19 4-H9	B100-68-215A 4-C10	FC04-68-4Q0B48 3-I16	FB01-68-425 48 3-H16	FC06-68-453 48 3-E16	FB01-68-658 4-E11	FB67-68-720 48 4-L10
FC03-68-030 48 4-H9	0208-68-230 4-C12	FC04-68-4Q0B48 3-I16	FB01-68-426 3-K15	FC06-68-453 48 3-E16	FB03-68-658 4-E11	FB67-68-8C1 02 4-M11
FC04-68-030 02 4-I9	FB67-68-24YA02 4-K9	FC04-68-4Q0B19 3-L15	FB01-68-426 48 3-J16	FC06-68-453 48 3-E16	FB67-68-658A 4-K11	FB67-68-8C1 48 4-M11
FC04-68-030 19 4-I9	FB67-68-25YA02 4-K9	FC04-68-4Q0B48 3-I16	FB01-68-427 02 3-F16	FC04-68-463 19 3-E16	FB67-68-66Y 4-K11	4-M11
FC04-68-030 48 4-I9	FB67-68-25YA48 4-K9	B100-68-401 3-L15	FB01-68-427 19 3-F16	FC04-68-463 48 3-E16	FB03-68-661A 4-F11	FC01-68-850 02 4-H10
FB67-68-032 02 4-J9	FB67-68-261B02 4-K9	FA54-68-402 3-I16	FB01-68-427 48 3-F16	FB01-68-47X 02 3-F16	4-K11	FC01-68-850 19 4-H10
FB67-68-032 48 4-J9	FB67-68-261B48 4-K9	FB01-68-403 3-L15	FB01-68-427 48 3-F16	FB01-68-47X 48 3-F16	F046-68-661B 4-F11	FC01-68-850 48 4-M10
FB01-68-040 02 4-H9	FB67-68-271B02 4-K9	B100-68-279 4-K9	G033-68-432 3-E16	FB01-68-47X 48 3-F16	F046-68-662A 4-F11	G225-68-8X2 4-J9
FB01-68-040 19 4-H9	FB67-68-271B48 4-K9	B100-68-279 4-K9	3-K16	FB01-68-47X 48 3-F16	FB01-68-663 4-F11	UB39-68-805 3-F16
FB01-68-040 48 4-H9	FB67-68-28XA02 4-K9	B100-68-279 4-K9	FC04-68-433 02 3-E16	FB01-68-47X 48 3-F16	4-K11	3-K16
FB01-68-042 4-I9	FB67-68-28XA48 4-K9	B100-68-279 4-K9	FC04-68-433 19 3-E16	FB67-68-505B 4-N12	FB03-68-663 4-F11	FC02-68-81XA02 4-M11
0810-68-070C 4-C12	FB67-68-28XB02 4-K9	B100-68-279 4-K9	FC04-68-433 48 3-E16	FB67-68-520E02 4-N12	FB01-68-664 4-F11	FC02-68-81XA19 4-M11
0810-68-070E 4-C12	FB67-68-28XB48 4-L9	B100-68-279 4-K9	FC04-68-433 48 3-E16	FB67-68-520E48 4-N12	FB03-68-664 4-F11	FC02-68-81XA48 4-M11
F057-68-071 2-F7	FB67-68-28YB02 4-K9	B100-68-279 4-K9	FC04-68-433 48 3-E16	FC01-68-520 02 4-N12	FB67-68-665 4-K11	FC04-68-81XA02 4-M11
4-C12	FB67-68-28YB48 4-L9	B100-68-279 4-K9	FC04-68-433 48 3-E16	FC01-68-520 19 4-N12	FB03-68-666A 4-F11	FC04-68-81XA48 4-M11
FB67-68-095A 4-J9	FB67-68-28YB48 4-L9	B100-68-279 4-K9	FC04-68-433 48 3-E16	FC01-68-520 48 4-N12	FB03-68-666A 4-F11	FC05-68-81XA02 4-M11
FC01-68-1A0B02 4-N9	FB67-68-28YB48 4-L9	B100-68-279 4-K9	FC04-68-433 48 3-E16	FC01-68-520A02 4-N12	FB03-68-666A 4-F11	FC05-68-81XA19 4-M11
FC01-68-1A0B19 4-N9	FB67-68-28YB48 4-L9	B100-68-279 4-K9	FC04-68-433 48 3-E16	FC01-68-520A19 4-N12	FB03-68-666A 4-F11	FC05-68-81XA48 4-M11
FC01-68-1A0B48 4-N9	FB67-68-28YB48 4-L9	B100-68-279 4-K9	FC04-68-433 48 3-E16	FC01-68-520A48 4-N12	FB03-68-666A 4-F11	FC06-68-81XA02 4-M11
FC01-68-1B0B02 4-N9	FB67-68-28YB48 4-L9	B100-68-279 4-K9	FC04-68-433 48 3-E16	FC01-68-520A48 4-N12	FB03-68-666A 4-F11	FC06-68-81XA19 4-M11
FC01-68-1B0B19 4-N9	FB67-68-28YB48 4-L9	B100-68-279 4-K9	FC04-68-433 48 3-E16	FC01-68-520A48 4-N12	FB03-68-666A 4-F11	FC06-68-81XA48 4-M11
FC01-68-1B0B48 4-N9	FB67-68-28YB48 4-L9	B100-68-279 4-K9	FC04-68-433 48 3-E16	FC01-68-520A48 4-N12	FB03-68-666A 4-F11	FC06-68-81XA48 4-M11
FC01-68-1C0A02 4-N9	FB67-68-28YB48 4-L9	B100-68-279 4-K9	FC04-68-433 48 3-E16	FC01-68-520A48 4-N12	FB03-68-666A 4-F11	FC06-68-81XA48 4-M11
FC01-68-1C0A19 4-N9	FB67-68-28YB48 4-L9	B100-68-279 4-K9	FC04-68-433 48 3-E16	FC01-68-520A48 4-N12	FB03-68-666A 4-F11	FC06-68-81XA48 4-M11
FC01-68-1C0A48 4-N9	FB67-68-28YB48 4-L9	B100-68-279 4-K9	FC04-68-433 48 3-E16	FC01-68-520A48 4-N12	FB03-68-666A 4-F11	FC06-68-81XA48 4-M11
FC01-68-1D0A02 4-N9	FB67-68-28YB48 4-L9	B100-68-279 4-K9	FC04-68-433 48 3-E16	FC01-68-520A48 4-N12	FB03-68-666A 4-F11	FC06-68-81XA48 4-M11
FC01-68-1D0A19 4-N9	FB67-68-28YB48 4-L9	B100-68-279 4-K9	FC04-68-433 48 3-E16	FC01-68-520A48 4-N12	FB03-68-666A 4-F11	FC06-68-81XA48 4-M11
FC01-68-1D0A48 4-N9	FB67-68-28YB48 4-L9	B100-68-279 4-K9	FC04-68-433 48 3-E16	FC01-68-520A48 4-N12	FB03-68-666A 4-F11	FC06-68-81XA48 4-M11
FB01-68-151 02 4-H9	FB67-68-28YB48 4-L9	B100-68-279 4-K9	FC04-68-433 48 3-E16	FC01-68-520A48 4-N12	FB03-68-666A 4-F11	FC06-68-81XA48 4-M11
FB01-68-151 19 4-H9	FB67-68-28YB48 4-L9	B100-68-279 4-K9	FC04-68-433 48 3-E16	FC01-68-520A48 4-N12	FB03-68-666A 4-F11	FC06-68-81XA48 4-M11
FB01-68-151 48 4-H9	FB67-68-28YB48 4-L9	B100-68-279 4-K9	FC04-68-433 48 3-E16	FC01-68-520A48 4-N12	FB03-68-666A 4-F11	FC06-68-81XA48 4-M11
4-N9	FB67-68-28YB48 4-L9	B100-68-279 4-K9	FC04-68-433 48 3-E16	FC01-68-520A48 4-N12	FB03-68-666A 4-F11	FC06-68-81XA48 4-M11
UB39-68-153 4-N9	FB67-68-28YB48 4-L9	B100-68-279 4-K9	FC04-68-433 48 3-E16	FC01-68-520A48 4-N12	FB03-68-666A 4-F11	FC06-68-81XA48 4-M11
FB01-68-155 4-C10	FB67-68-28YB48 4-L9	B100-68-279 4-K9	FC04-68-433 48 3-E16	FC01-68-520A48 4-N12	FB03-68-666A 4-F11	FC06-68-81XA48 4-M11
FB67-68-160A02 4-F10	FB67-68-28YB48 4-L9	B100-68-279 4-K9	FC04-68-433 48 3-E16	FC01-68-520A48 4-N12	FB03-68-666A 4-F11	FC06-68-81XA48 4-M11
FB67-68-160A48 4-F10	FB67-68-28YB48 4-L9	B100-68-279 4-K9	FC04-68-433 48 3-E16	FC01-68-520A48 4-N12	FB03-68-666A 4-F11	FC06-68-81XA48 4-M11
FC01-68-160A02 4-C10	FB67-68-28YB48 4-L9	B100-68-279 4-K9	FC04-68-433 48 3-E16	FC01-68-520A48 4-N12	FB03-68-666A 4-F11	FC06-68-81XA48 4-M11
FC01-68-160A19 4-C10	FB67-68-28YB48 4-L9	B100-68-279 4-K9	FC04-68-433 48 3-E16	FC01-68-520A48 4-N12	FB03-68-666A 4-F11	FC06-68-81XA48 4-M11
FC01-68-160A48 4-C10	FB67-68-28YB48 4-L9	B100-68-279 4-K9	FC04-68-433 48 3-E16	FC01-68-520A48 4-N12	FB03-68-666A 4-F11	FC06-68-81XA48 4-M11
FC01-68-160C02 4-C10	FB67-68-28YB48 4-L9	B100-68-279 4-K9	FC04-68-433 48 3-E16	FC01-68-520A48 4-N12	FB03-68-666A 4-F11	FC06-68-81XA48 4-M11
FC01-68-160C19 4-C10	FB67-68-28YB48 4-L9	B100-68-279 4-K9	FC04-68-433 48 3-E16	FC01-68-520A48 4-N12	FB03-68-666A 4	

PART NUMBER INDEX / INDEX DES NUMEROS DE PIECES / TEILENUMMER-INDEX / INDICE D. NUMERO DE PARTES

3625-75-139	3-C10 3-H10	FB69-88-110 02 3-G13 FB69-88-110 48 3-C13 FCX7-88-110B02 3-E12 FCX7-88-110B48 3-E12 FCY4-88-110A02 3-E12 FCY4-88-110A48 3-E12 FCY5-88-110 02 3-E12 FCY5-88-110 48 3-E12 FC07-88-110 02 3-D12 FC07-88-110 48 3-D12 FC11-88-110 02 3-D12 FC11-88-110 19 3-D12 FA55-76-196 4-F3 HA43-76-201A 3-E3 H043-76-201 3-D3 HA43-76-202 3-D3 FB01-76-210B 3-E3 FB01-76-220B 3-E3 FB68-76-230 3-E3 FB02-76-250 02 3-E3	FC04-88-130 48 3-G12 FC07-88-130 02 3-G12 FC07-88-130 48 3-G12 FC70-88-130 02 3-H12 FC70-88-130 48 3-H12 FC71-88-130 02 3-H12 FC71-88-130 48 3-H12 FC72-88-130 02 3-H13 FC72-88-130 48 3-H13 FB46-88-131 02 3-H12 FB46-88-131 48 3-H12 FC01-88-131 02 3-H12 FC01-88-131 19 3-H12 FC01-88-131 48 3-H12 FC03-88-131 02 3-H12 FC03-88-131 19 3-H12 FC03-88-131 48 3-H12 FC07-88-131 02 3-H12 FC07-88-131 48 3-H12 FC70-88-131 02 3-H12	FC03-88-161 02 3-K12 FC03-88-161 19 3-K12 FC03-88-161 48 3-K12 FC03-88-161A02 3-K12 FC03-88-161A19 3-K12 FC03-88-161A48 3-K12 FC07-88-161 02 3-K12 FC07-88-161 48 3-K12 FC70-88-161A02 3-K12 FC70-88-161A48 3-K12 FB44-88-162 3-I13 FC01-88-162 3-I12 FC03-88-162 3-I12 FC07-88-163 3-I12 FC13-88-163 3-I12 FC13-88-163A 3-I12 FC34-88-163 3-I13 FC11-88-177A02 3-I12 FC11-88-177A19 3-I12	FC03-88-362 3-C13 FC05-88-362A 3-C13 FC01-88-363 3-C13 FC01-88-363A 3-C13 FC03-88-363 3-C13 FC03-88-363A 3-C13 FB03-88-385 02 3-C13 FB03-88-385 19 3-C13 FB03-88-385 48 3-C13 FB03-88-386 02 3-D13 FB03-88-386 48 3-D13 B092-88-519 3-J13 B092-88-519 3-J13 B093-88-815 3-C13 B092-88-818 3-C13 B093-88-818 3-N11 FA58-88-831 02 3-I12 FA58-88-831 19 3-I12	99655-30010 2-D7 99655-30015 2-D7 99655-30020 2-D7 99655-30025 2-D7 99655-30030 2-D7 99655-30035 2-D7 99655-30040 2-D7 99655-30045 2-D7 99655-30050 2-D7 99655-30055 2-D7 99655-30060 2-D7 99655-90005 2-D7 99655-90010 2-D7 99655-90015 2-D7 99655-90020 2-D7 99655-90025 2-D7 99655-90030 2-D7 99655-90035 2-D7 99655-90040 2-D7 99655-90045 2-D7	FA58-88-831 48 3-I12 F044-88-833 3-D13 BA49-88-860 3-D13 FB68-88-970 3-J13 90620-17635 2-C7 90620-17636 2-C7 90620-35706 2-C7 90620-65706 2-C7 90620-66705 2-C7 90623-06705 2-C7 90623-46705 2-C7 99701-2070 3-K5 99701-3270 3-H5 99701-4278 3-H5 99701-4278Y 3-D5 99701-5050 3-M5 99701-6030 3-C10 99701-6038 3-E11 99701-6040 3-H10 99701-6040 3-J10 99701-6040 4-N10 99701-6038 3-C5 99701-6040 3-K5 99701-6040 3-D5 99701-6040 3-H16 99701-6040 3-J15 99701-6050 3-M5 99705-1107 4-I7 99705-1130 4-I7 99963-6310 1-C10 99963-6315 1-C10 99963-6330 1-C10 99963-6330 1-K9 99963-6940 1-K9 99963-6950 1-K9 99963-6960 1-K9 99963-6970 1-K9 STANDARD PARTS 99541-00707 1-J12
0208-76-071	4-J11 4-N11	FC11-88-110 02 3-D12 FC11-88-110 19 3-D12 FC11-88-110 48 3-D12 FC11-88-110A02 3-E12 FC11-88-110A19 3-E12 FC11-88-110A48 3-E12 FC13-88-110 02 3-D12 FC13-88-110 19 3-D12 FC13-88-110 48 3-D12 FC13-88-110A02 3-E12	FC70-88-131 48 3-H12 FC72-88-131 02 3-H13 FC72-88-131 48 3-H13 FB46-88-132 3-H12 FC01-88-132 3-H12 FC03-88-132 3-H12 FC03-88-133 3-I12 FC03-88-133 3-I12 FB69-88-140 02 3-G13 FB69-88-140 48 3-G13 FC03-88-140 02 3-C12 FC03-88-140 19 3-C12 FC03-88-140 48 3-C12 FC70-88-140 02 3-C12 FC70-88-140 48 3-C12 FB69-88-141 02 3-H13 FB69-88-141 48 3-H13 FC03-88-141 02 3-I12 FC03-88-141 19 3-I12 FC03-88-141 48 3-I12	FC11-88-177A48 3-I12 FC13-88-177 02 3-I12 FC13-88-177 19 3-I12 FC13-88-177 48 3-I12 F044-88-177A02 3-I13 F044-88-177A48 3-I13 FB46-88-180 02 3-I12 FB46-88-180 48 3-I12 FB69-88-180 02 3-I13 FB69-88-180 48 3-I13 FC01-88-180 02 3-I12 FC01-88-180 19 3-I12 FC01-88-180 48 3-I12 FC03-88-180 02 3-M12 FC03-88-180 19 3-M12 FC03-88-180 48 3-M12 FC03-88-180 48 3-M12 FC07-88-180 02 3-M12 FC07-88-180 48 3-M12 FC70-88-180 02 3-M12 FC70-88-180 48 3-M12	99655-90050 2-D7 99655-90055 2-D7 99655-90060 2-E7 99656-10005 2-E7 99656-10010 2-E7 99656-10015 2-E7 99656-10020 2-E7 99656-10025 2-E7 99656-10030 2-E7 99656-10035 2-E7 99656-10040 2-E7 99656-10045 2-E7 99656-10050 2-E7 99656-10055 2-E7 99656-10060 2-E7 99700-5100 4-E12 99701-2070 3-K5 99701-3270 3-H5 99701-4278 3-H5		
FB02-76-250 19 3-E3 FB02-76-250 48 3-E3 FB01-76-260 3-E3 FC01-76-290 3-E3 FC07-76-290 3-E3 FC67-76-290 3-E3 G030-76-448 3-E15 3-I15	4-L3 4-H3 4-G3 4-G3 4-D9 4-G9 4-C9 4-C9 4-E9 4-C9 4-C9	FC13-88-110A19 3-E12 FC13-88-110A48 3-E12 FC70-88-110 02 3-D12 FC70-88-110 48 3-D12 FC71-88-110 02 3-D12 FC71-88-110 19 3-D12 FC71-88-110 48 3-D12 FC72-88-110 02 3-G13 FC72-88-110 48 3-G13 FB46-88-111 02 3-E12 FB46-88-111 48 3-E12 FB69-88-111 02 3-H13 FB69-88-111 48 3-H13 FC01-88-111 02 3-E12 FC01-88-111 19 3-E12 FC01-88-111 48 3-F12 FC01-88-111A02 3-F12 FC01-88-111A19 3-F12 FC01-88-111A48 3-F12 FC03-88-111 02 3-F12	FC70-88-141 02 3-I12 FC70-88-141 48 3-I12 FB01-88-151 3-H13 FC01-88-152 3-I12 FC03-88-152 3-I12 FC01-88-153 3-I12 FC03-88-153 3-I12 FC34-88-153 3-I13 FCX7-88-160A02 3-I12 FCX7-88-160A48 3-I12 FCY5-88-160 02 3-J12 FCY5-88-160 48 3-J12 FCY5-88-160 48 3-J12 FC11-88-160 02 3-I12 FC11-88-160 19 3-I12 FC11-88-160 48 3-I12 FC11-88-160A02 3-I12 FC11-88-160A19 3-I12 FC11-88-160A48 3-I12	99655-90050 2-D7 99655-90055 2-D7 99655-90060 2-E7 99656-10005 2-E7 99656-10010 2-E7 99656-10015 2-E7 99656-10020 2-E7 99656-10025 2-E7 99656-10030 2-E7 99656-10035 2-E7 99656-10040 2-E7 99656-10045 2-E7 99656-10050 2-E7 99656-10055 2-E7 99656-10060 2-E7 99700-5100 4-E12 99701-2070 3-K5 99701-3270 3-H5 99701-4278 3-H5			
8532-76-672 4-E9 9030-76-673A 4-E9 1243-76-674 3-K3	4-E9 4-E9 3-K3	FC03-88-111 19 3-F12 FC03-88-111 48 3-F12 FC03-88-111A02 3-F12 FC03-88-111A19 3-F12 FC03-88-111A48 3-F12 FC07-88-111 02 3-E12 FC07-88-111 48 3-E12 FC70-88-111A02 3-E12 FC70-88-111A48 3-E12 FB44-88-112 3-F12	FC03-88-152 3-I12 FC01-88-153 3-I12 FC03-88-153 3-I12 FC34-88-153 3-I13 FCX7-88-160A02 3-I12 FCX7-88-160A48 3-I12 FCY5-88-160 02 3-J12 FCY5-88-160 48 3-J12 FCY5-88-160 48 3-J12 FC11-88-160 02 3-I12 FC11-88-160 19 3-I12 FC11-88-160 48 3-I12 FC11-88-160A02 3-I12 FC11-88-160A19 3-I12 FC11-88-160A48 3-I12	99701-6038 3-C5 99701-6040 3-K5 99701-6040 3-D5 99701-6040 3-H16 99701-6040 3-J15 99701-6050 3-M5 99705-1107 4-I7 99705-1130 4-I7 99963-6310 1-C10 99963-6315 1-C10 99963-6330 1-C10 99963-6330 1-K9 99963-6940 1-K9 99963-6950 1-K9 99963-6960 1-K9 99963-6970 1-K9			
***** * * 88-000 * *****	***** * * 88-000 * *****	FC03-88-111 02 3-E12 FC07-88-111 48 3-E12 FC70-88-111A02 3-E12 FC70-88-111A48 3-E12 FB44-88-112 3-F12	FC03-88-152 3-I12 FC01-88-153 3-I12 FC03-88-153 3-I12 FC34-88-153 3-I13 FCX7-88-160A02 3-I12 FCX7-88-160A48 3-I12 FCY5-88-160 02 3-J12 FCY5-88-160 48 3-J12 FCY5-88-160 48 3-J12 FC11-88-160 02 3-I12 FC11-88-160 19 3-I12 FC11-88-160 48 3-I12 FC11-88-160A02 3-I12 FC11-88-160A19 3-I12 FC11-88-160A48 3-I12	99701-6038 3-C5 99701-6040 3-K5 99701-6040 3-D5 99701-6040 3-H16 99701-6040 3-J15 99701-6050 3-M5 99705-1107 4-I7 99705-1130 4-I7 99963-6310 1-C10 99963-6315 1-C10 99963-6330 1-C10 99963-6330 1-K9 99963-6940 1-K9 99963-6950 1-K9 99963-6960 1-K9 99963-6970 1-K9			
B001-88-081 02 3-F13 3-N11 B001-88-081 19 3-C12 B001-88-081 48 3-C12 3-F13 B001-88-091 02 3-C12 3-F13 B001-88-091 19 3-C12 B001-88-091 48 3-C12 3-F13	3-F13 3-N11 3-C12 3-C12 3-F13 3-C12 3-F13 3-C12 3-C12 3-F13	FC01-88-112 3-F12 FC03-88-112 3-F12 FB44-88-113 3-F12 FB68-88-113 3-H13 FC11-88-113 3-F12 FC11-88-113A 3-F12 FC13-88-113 3-F12 FC13-88-113A 3-F12 FB68-88-115 3-I13	FC03-88-152 3-I12 FC01-88-153 3-I12 FC03-88-153 3-I12 FC34-88-153 3-I13 FCX7-88-160A02 3-I12 FCX7-88-160A48 3-I12 FCY5-88-160 02 3-J12 FCY5-88-160 48 3-J12 FCY5-88-160 48 3-J12 FC11-88-160 02 3-I12 FC11-88-160 19 3-I12 FC11-88-160 48 3-I12 FC11-88-160A02 3-I12 FC11-88-160A19 3-I12 FC11-88-160A48 3-I12	99701-6038 3-C5 99701-6040 3-K5 99701-6040 3-D5 99701-6040 3-H16 99701-6040 3-J15 99701-6050 3-M5 99705-1107 4-I7 99705-1130 4-I7 99963-6310 1-C10 99963-6315 1-C10 99963-6330 1-C10 99963-6330 1-K9 99963-6940 1-K9 99963-6950 1-K9 99963-6960 1-K9 99963-6970 1-K9			
FB01-88-101 3-C12 3-F13 FC02-88-101 3-C12 FC01-88-102A 3-C12 FC34-88-102A 3-G13 FC34-88-103 3-G13 FC50-88-103 3-C12 FB01-88-105 3-C12 3-G13 FB67-88-105 3-G13 F062-88-106 3-D12 3-G13 FB01-88-107 3-C12 FB67-88-107 3-G13 H115-88-108 3-D12 3-G13 B095-88-109 3-D12 3-G13 FB44-88-109 3-D12 3-G13	3-C12 3-F13 3-C12 3-C12 3-G13 3-G13 3-C12 3-C12 3-G13 3-D12 3-G13 3-C12 3-G13 3-D12 3-G13 3-D12 3-G13 3-D12 3-G13	3966-88-116 3-F13 3-N11 1243-88-117 3-C12 3-H13 FC01-88-127 02 3-G12 FC01-88-127 19 3-G12 FC01-88-127 48 3-G12 FC11-88-127A02 3-G12 FC11-88-127A19 3-G12 FC11-88-127A48 3-G12 F044-88-127A02 3-H13 F044-88-127A48 3-H13 FC01-88-130 02 3-G12 FC01-88-130 19 3-G12 FC01-88-130 48 3-G12 FC03-88-130 02 3-G12 FC03-88-130 19 3-G12 FC03-88-130 48 3-G12 FC04-88-130 02 3-G12 FC04-88-130 19 3-G12	FC03-88-152 3-I12 FC01-88-153 3-I12 FC03-88-153 3-I12 FC34-88-153 3-I13 FCX7-88-160A02 3-I12 FCX7-88-160A48 3-I12 FCY5-88-160 02 3-J12 FCY5-88-160 48 3-J12 FCY5-88-160 48 3-J12 FC11-88-160 02 3-I12 FC11-88-160 19 3-I12 FC11-88-160 48 3-I12 FC11-88-160A02 3-I12 FC11-88-160A19 3-I12 FC11-88-160A48 3-I12	99701-6038 3-C5 99701-6040 3-K5 99701-6040 3-D5 99701-6040 3-H16 99701-6040 3-J15 99701-6050 3-M5 99705-1107 4-I7 99705-1130 4-I7 99963-6310 1-C10 99963-6315 1-C10 99963-6330 1-C10 99963-6330 1-K9 99963-6940 1-K9 99963-6950 1-K9 99963-6960 1-K9 99963-6970 1-K9			
FB02-76-250 19 3-E3 FB02-76-250 48 3-E3 FB01-76-260 3-E3 FC01-76-290 3-E3 FC07-76-290 3-E3 FC67-76-290 3-E3 G030-76-448 3-E15 3-I15	4-L3 4-H3 4-G3 4-G3 4-D9 4-G9 4-C9 4-C9 4-E9 4-C9 4-C9	FC13-88-110A19 3-E12 FC13-88-110A48 3-E12 FC70-88-110 02 3-D12 FC70-88-110 48 3-D12 FC71-88-110 02 3-D12 FC71-88-110 19 3-D12 FC71-88-110 48 3-D12 FC72-88-110 02 3-G13 FC72-88-110 48 3-G13 FB46-88-111 02 3-E12 FB46-88-111 48 3-E12 FB69-88-111 02 3-H13 FB69-88-111 48 3-H13 FC01-88-111 02 3-E12 FC01-88-111 19 3-E12 FC01-88-111 48 3-F12 FC01-88-111A02 3-F12 FC01-88-111A19 3-F12 FC01-88-111A48 3-F12 FC03-88-111 02 3-F12	FC70-88-141 02 3-I12 FC70-88-141 48 3-I12 FB01-88-151 3-H13 FC01-88-152 3-I12 FC03-88-152 3-I12 FC01-88-153 3-I12 FC03-88-153 3-I12 FC34-88-153 3-I13 FCX7-88-160A02 3-I12 FCX7-88-160A48 3-I12 FCY5-88-160 02 3-J12 FCY5-88-160 48 3-J12 FCY5-88-160 48 3-J12 FC11-88-160 02 3-I12 FC11-88-160 19 3-I12 FC11-88-160 48 3-I12 FC11-88-160A02 3-I12 FC11-88-160A19 3-I12 FC11-88-160A48 3-I12	99701-6038 3-C5 99701-6040 3-K5 99701-6040 3-D5 99701-6040 3-H16 99701-6040 3-J15 99701-6050 3-M5 99705-1107 4-I7 99705-1130 4-I7 99963-6310 1-C10 99963-6315 1-C10 99963-6330 1-C10 99963-6330 1-K9 99963-6940 1-K9 99963-6950 1-K9 99963-6960 1-K9 99963-6970 1-K9			
8532-76-672 4-E9 9030-76-673A 4-E9 1243-76-674 3-K3	4-E9 4-E9 3-K3	FC03-88-111 19 3-F12 FC03-88-111 48 3-F12 FC03-88-111A02 3-F12 FC03-88-111A19 3-F12 FC03-88-111A48 3-F12 FC07-88-111 02 3-E12 FC07-88-111 48 3-E12 FC70-88-111A02 3-E12 FC70-88-111A48 3-E12 FB44-88-112 3-F12	FC03-88-152 3-I12 FC01-88-153 3-I12 FC03-88-153 3-I12 FC34-88-153 3-I13 FCX7-88-160A02 3-I12 FCX7-88-160A48 3-I12 FCY5-88-160 02 3-J12 FCY5-88-160 48 3-J12 FCY5-88-160 48 3-J12 FC11-88-160 02 3-I12 FC11-88-160 19 3-I12 FC11-88-160 48 3-I12 FC11-88-160A02 3-I12 FC11-88-160A19 3-I12 FC11-88-160A48 3-I12	99701-6038 3-C5 99701-6040 3-K5 99701-6040 3-D5 99701-6040 3-H16 99701-6040 3-J15 99701-6050 3-M5 99705-1107 4-I7 99705-1130 4-I7 99963-6310 1-C10 99963-6315 1-C10 99963-6330 1-C10 99963-6330 1-K9 99963-6940 1-K9 99963-6950 1-K9 99963-6960 1-K9 99963-6970 1-K9			
***** * * 88-000 * *****	***** * * 88-000 * *****	FC03-88-111 02 3-E12 FC07-88-111 48 3-E12 FC70-88-111A02 3-E12 FC70-88-111A48 3-E12 FB44-88-112 3-F12	FC03-88-152 3-I12 FC01-88-153 3-I12 FC03-88-153 3-I12 FC34-88-153 3-I13 FCX7-88-160A02 3-I12 FCX7-88-160A48 3-I12 FCY5-88-160 02 3-J12 FCY5-88-160 48 3-J12 FCY5-88-160 48 3-J12 FC11-88-160 02 3-I12 FC11-88-160 19 3-I12 FC11-88-160 48 3-I12 FC11-88-160A02 3-I12 FC11-88-160A19 3-I12 FC11-88-160A48 3-I12	99701-6038 3-C5 99701-6040 3-K5 99701-6040 3-D5 99701-6040 3-H16 99701-6040 3-J15 99701-6050 3-M5 99705-1107 4-I7 99705-1130 4-I7 99963-6310 1-C10 99963-6315 1-C10 99963-6330 1-C10 99963-6330 1-K9 99963-6940 1-K9 99963-6950 1-K9 99963-6960 1-K9 99963-6970 1-K9			
B001-88-081 02 3-F13 3-N11 B001-88-081 19 3-C12 B001-88-081 48 3-C12 3-F13 B001-88-091 02 3-C12 3-F13 B001-88-091 19 3-C12 B001-88-091 48 3-C12 3-F13	3-F13 3-N11 3-C12 3-C12 3-F13 3-C12 3-F13 3-C12 3-C12 3-F13	3966-88-116 3-F13 3-N11 1243-88-117 3-C12 3-H13 FC01-88-127 02 3-G12 FC01-88-127 19 3-G12 FC01-88-127 48 3-G12 FC11-88-127A02 3-G12 FC11-88-127A19 3-G12 FC11-88-127A48 3-G12 F044-88-127A02 3-H13 F044-88-127A48 3-H13 FC01-88-130 02 3-G12 FC01-88-13					

ALPHABETICAL INDEX *** ENGLISH ***

BRACKET, PIPE HOLDER-----	2-L10	BULB 'B', WARNING UNIT-----	3-C10	CAP, FILLER-----	2-E9	CLIP-----	3-D11	CLIP, TRIM-----	4-C13
BRACKET, QUARTER TRIM-----	4-N12	BULB 'C', CLUSTER SWITCH-----	4-J5	CAP, GARNISH-----	3-L10	3-D15	3-D15	CLUTCH, DIRECT-----	1-I13
BRACKET, REAR-----	1-H11	BULB 'D', CLUSTER SWITCH-----	4-J5	CAP, HINGE-H. L. RETRACTABLE	3-K4	3-E15	3-E15	CLUTCH, FRONT-----	1-E13
BRACKET, RELAY-----	4-C6	BUMPER, BOUND-----	2-K6	CAP, HORN-----	2-C5	3-F3	3-F3	CLUTCH, ONE WAY-----	1-J13
BRACKET, RELAY-SET PLATE---	4-E5	BUMPER, REAR-----	3-H3	CAP, HUB-----	2-F6	3-F5	3-F5	CLUTCH, REAR-----	1-F13
BRACKET, SET-S. ROOF FRAME	3-C7	BUSH-----	1-F8	CAP, IDLE SWITCH-----	1-J5	3-F15	3-F15	COCK, DRAIN-----	1-D8
BRACKET, SIDE STEP-F. FENDE	3-L6	1-K4	1-K4	CAP, LOCKING-----	3-F5	3-G10	3-G10	COIL & IGNITER, LEADING---	1-N10
BRACKET, STAB-RR-----	4-E4	2-D9	2-D9	CAP, OIL FILLER-----	1-E3	3-G15	3-G15	COIL & IGNITER, TRAILING---	1-N10
BRACKET, STAB-RR-----	3-F7	2-H9	2-H9	CAP, PARK BRAKE LEVER-----	1-G3	3-H3	3-H3	COIL, IGNITION-LEADING---	1-N10
BRACKET, STABILIZER-----	2-K4	2-I9	2-I9	CAP, RADIATOR-----	2-N10	3-I15	3-I15	COIL, IGNITION-TRAILING---	1-N10
BRACKET, STABILIZER-----	2-K6	2-I11	2-I11	CAP, REAR SPOILER-----	1-D8	3-J3	3-J3	COLLAR, CLUTCH REL.-----	1-E9
BRACKET, SUB TANK-----	1-D8	2-L9	2-L9	CAP, RUBBER-----	4-F13	3-J6	3-J6	COLLAR, COMP. BRKT-----	1-F8
BRACKET, SUPPORT-H. T. CORD	1-C11	3-G13	3-G13	CAP, SEAL-----	2-H6	3-K6	3-K6	COLLAR, COMP. BRKT-PULLEY--	1-G8
BRACKET, T/MISSION MT-----	2-C8	1-K10	1-K10	CAP, SPRING-----	4-D9	3-L14	3-L14	COLLAR, HARNESS-SIDE SILL---	3-K9
BRACKET, TANK-----	2-D8	2-D10	2-D10	CAP, SUB TANK-----	1-J10	3-M3	3-M3	COLLAR, LONG-DRIVING&DEFF.	2-E4
BRACKET, TRUNK E.JARD-----	1-M5	2-N8	2-N8	CAP, TANK-----	1-K10	4-D9	4-D9	CONDENSER-----	4-G7
BRACKET, VACUUM PIPE-----	4-M11	2-N9	2-N9	CAP, WHEEL-HALF-----	1-E8	4-E6	4-E6	CONNECTING, SHELL-----	1-J13
BRACKET, WASHER TANK-----	4-K8	3-C12	3-C12	CARRIER, DIFFERENTIAL-----	3-K3	4-E7	4-E7	CONNECTOR-----	1-M6
BREAKER-----	4-I7	3-L13	3-L13	CARRIER, FRONT-----	4-E9	4-G13	4-G13	CONNECTOR, AIR TUBE-----	1-K7
BREATH-----	2-D4	4-E9	4-E9	CARRIER, OVER DRIVE-----	4-K8	4-H8	4-H8	CONNECTOR, CHANGE LEVER---	2-H11
BREATH, AIR-----	2-K3	2-M5	2-M5	CARRIER, REAR-----	4-M8	4-H10	4-H10	CONNECTOR, FLUID HOSE-----	1-M5
BREATH, AIR-T. MISSION-----	1-D12	2-L6	2-L6	CARRIAGE, OIL FILTER-----	2-C7	4-I8	4-I8	CONSOLE, OVERHEAD-----	3-N5
BRKT NO. 1(L), GRILLE-TRIM---	1-I9	2-H4	2-H4	CASE-----	2-E4	4-J3	4-J3	CONSOLE, REAR-----	3-F11
BRKT NO. 1(R), GRILLE-TRIM---	3-I16	2-H4	2-H4	CASE(L), BLOWER-----	2-L3	4-J9	4-J9	CONT. BOX, ADJ. DUMPER-----	4-N5
BRKT(L), BELT-FORMING-----	4-G4	2-L4	2-L4	CASE(L), HEATER UNIT-----	1-G13	4-L3	4-L3	CONTACT, HORN-----	4-M5
BRKT(L), COAT HANGER-----	4-F12	2-K4	2-K4	CASE(R), BLOWER-----	1-J13	4-L10	4-L10	CONTROL, HEATER-----	4-F3
BRKT(L), DAMPER STAY-QTR---	3-E8	2-M4	2-M4	CASE(R), HEATER UNIT-----	1-G13	4-M8	4-M8	CONTROL, REMOTE-AUDIO-----	4-K6
BRKT(L), FORMING BAR-----	3-H8	2-L6	2-L6	CASE, CHANGE CONTROL-----	1-H7	4-N5	4-N5	CONTROLLER, AE SYSTEM-DISC	4-M6
BRKT(L), INST-----	3-I8	2-E5	2-E5	CASE, CONTROL UNIT-----	1-L7	3-D3	3-D3	CONVERTER, CATALYST-----	2-E8
BRKT(L), MOTOR-SIDE FRAME---	3-G9	2-N10	2-N10	CASE, LAMP-----	2-L3	3-F15	3-F15	CONVERTER, MONOLITH-----	2-88
BRKT(L), PILLAR GARNISH-----	3-K7	4-I4	4-I4	CASE, METER-----	4-G3	3-L14	3-L14	CONVERTER, TORQUE-----	1-F11
BRKT(L), SILENCER-S/PANEL---	3-F9	4-T4	4-T4	CASE, OVER DRIVE-----	4-G3	4-C4	4-C4	CONVERTER, TORQUE-----	1-M7
BRKT(L), STOPPER-R. FRAME---	3-N8	*****	*****	CASE, T/MISSION-----	1-J10	4-C4	4-C4	CORNER, HEATER-----	1-C5
BRKT(L), TRIM-QTR PANEL---	3-N7	*****	*****	CASING, DIFFERENTIAL-----	4-M5	4-C4	4-C4	CORD, FRONT FOG LAMP-----	3-F5
BRKT(R), BELT-FORMING-----	4-G4	2-C11	2-C11	CASING, STOPPER-----	3-D10	2-E10	2-E10	CORD, HIGH TENSION (L-1)---	1-C11
BRKT(R), DAMPER STAY-QTR---	3-E8	2-D9	2-D9	CATALYST, THREE WAY-----	3-H10	2-D9	2-D9	CORD, HIGH TENSION (L-2)---	1-D11
BRKT(R), FORMING BAR-----	3-F8	3-K6	3-K6	CATCH(L), RR. SEAT BAC-----	1-M12	3-F5	3-F5	CORD, HIGH TENSION (T-1)---	1-C11
BRKT(R), INST-----	3-G8	4-J3	4-J3	CATCH(R), RR. SEAT BAC-----	1-C12	4-F4	4-F4	CORD, HIGH TENSION (T-2)---	1-C11
BRKT(R), MOTOR-SIDE FRAME---	3-F9	2-H11	2-H11	CEILING, TOP-----	1-G9	2-C9	2-C9	CORD, HORN-ST. WHEEL-----	2-E5
BRKT(R), PILLAR GARNISH-----	3-K7	3-K6	3-K6	CHAIN, OIL PUMP-----	2-G4	2-N10	2-N10	CORD, INDICATOR-----	3-F11
BRKT(R), SILENCER-S/PANEL---	3-D9	4-J3	4-J3	CHAMBER(L), EXTRACTOR-----	2-I3	2-G1	2-G1	CORD, LICENSE LAMP-----	3-K5
BRKT(R), STOPPER-R. FRAME---	3-M8	2-N10	2-N10	CHAMBER(R), EXTRACTOR-----	3-L13	2-N10	2-N10	CORD, SHORT-----	4-I7
BRKT(R), TRIM-QTR PANEL---	3-M7	3-G10	3-G10	CHAMBER, AIR-----	3-L13	2-F11	2-F11	CORD, SHORT-FRT SEAT BACK--	3-J13
BRKT, AIR FLOW METER-----	1-J5	2-I3	2-I3	CHAMBER, AIR-----	4-H9	4-F4	4-F4	CORE, HEATER-----	4-E3
BRKT, IGNITION COIL-----	1-D11	2-I6	2-I6	CHANNEL(L), DIVISION-DOOR---	4-I9	4-F4	4-F4	COTTER, TAPER-----	1-F10
BRKT, MOTOR-ANTENA-----	4-D7	2-H3	2-H3	CHANNEL(L), GLASS RUN-----	1-F7	2-C9	2-C9	COUPLER, SOLENOID VALVE---	1-H12
BRKT, SURGE TANK-----	1-J4	2-I3	2-I3	CHANNEL(R), DIVISION-DOOR---	1-F7	2-E10	2-E10	COVER-----	1-K4
BRKT 'A', CONTROL UNIT-----	1-K4	4-H5	4-H5	CHANNEL(R), GLASS RUN-----	1-F7	2-G1	2-G1	COVER(L), SERVICE-RR FLOO---	2-N10
BRKT 'B', CONTROL UNIT-----	3-D9	2-H11	2-H11	CHARGE, AIR COOLER-----	1-N4	1-C7	1-C7	COVER(L), SERVICE-RR FLOO---	3-K9
BRUSH-----	1-F11	1-O5	1-O5	CHARGER, TURBO-----	1-N4	2-F11	2-F11	COVER(L), BELT-----	4-K9
BRUSH, YOKE-----	1-I11	3-H9	3-H9	CHECKER, DOOR-----	3-F15	4-F4	4-F4	COVER(L), CLUSTER SWITCH---	4-T5
BULB-----	3-C5	3-H15	3-H15	CLAMP, BATTERY-----	3-K14	2-C9	2-C9	COVER(L), DUST-----	2-G6
BULB, AUTO CLOCK-----	3-D5	3-N14	3-N14	CLAMP, HOSE-----	1-J11	3-G15	3-G15	COVER(L), DUST-DOOR TRIM---	3-E16
BULB, FRONT FOG LAMP-----	3-C10	4-D7	4-D7	CLAMP, HOSE-A. I. PIPE SIDE-	1-E7	3-M14	3-M14	COVER(L), IN. HANDLE-----	3-J16
BULB, INTERIOR MIRROR-----	3-E11	4-H8	4-H8	CLAMP, SPARE TIRE-----	1-E7	4-E11	4-E11	COVER(L), GARNISH-INST.---	3-L10
BULB 'A', CLUSTER SWITCH---	3-C10	4-H9	4-H9	CLIP-----	1-E6	4-K11	4-K11	COVER(L), HINGE-----	4-L9
BULB 'A', METER SET-----	3-E11	4-N9	4-N9	CLIP, QUATER TRIM-----	1-E7	4-M4	4-M4	COVER(L), HOLE-DASH. INSU.---	4-E11
BULB 'B', CLUSTER SWITCH---	4-J5	3-J10	3-J10	CLIP, RR. PILLAR TRIM-----	1-E7	4-M8	4-M8	COVER(L), IN. HANDLE-----	3-F15
		3-J15	3-J15	CLIP, SEAL RUBBER-INT. CLR---	1-E6	4-M8	4-M8	COVER(L), LONG-DRIVING&DEFF.	2-L3
		3-K5	3-K5	CLIP, SLIDE-----	1-G7	4-M8	4-M8	CONNECTOR, SHEL-----	1-J13
		3-M5	3-M5	CLIP, STEP MOULD-----	1-G7	4-M8	4-M8	CONNECTOR, SET-----	1-F11
		4-F3	4-F3	CLIP, STOP LAMP-HI. MOUNT---	1-G7	4-M8	4-M8	CONNECTOR, AIR TUBE-----	1-K7
		4-N10	4-N10		1-G7	4-M8	4-M8	CONNECTOR, CHANGE LEVER---	2-H11
		3-C10	3-C10		1-J7	4-M8	4-M8	CONNECTOR, FLUID HOSE-----	1-M5
		3-E11	3-E11		3-I6	4-M8	4-M8	CONSOLE, OVERHEAD-----	3-N5
		3-C10	3-C10		4-D9	4-M8	4-M8	CONSOLE, REAR-----	3-F11
		3-F5	3-F5		4-D9	4-M8	4-M8	CONT. BOX, ADJ. DUMPER-----	4-N5
		3-N5	3-N5		4-D9	4-M8	4-M8	CONTACT, HORN-----	4-M5
		4-E12	4-E12		4-D9	4-M8	4-M8	CONTROL, HEATER-----	4-F3
		4-I12	4-I12		4-D9	4-M8	4-M8	CONTROL, REMOTE-AUDIO-----	4-K6
		4-I5	4-I5		4-D9	4-M8	4-M8	CONTROLLER, AE SYSTEM-DISC	4-M6
		3-N9	3-N9		4-D9	4-M8	4-M8	CONVERTER, CATALYST-----	2-E8
		4-J5	4-J5		4-D9	4-M8	4-M8	CONVERTER, MONOLITH-----	2-88
					4-D9	4-M8	4-M8	CONVERTER, TORQUE-----	1-F11
					4-D9	4-M8	4-M8	CONVERTER, TORQUE-----	1-M7
					4-D9	4-M8	4-M8	COOLER, OIL-----	1-M7
					4-D9	4-M8	4-M8	CORNER, HEATER-----	1-C5
					4-D9	4-M8	4-M8	CORD, FRONT FOG LAMP-----	3-F5
					4-D9	4-M8	4-M8	CORD, HIGH TENSION (L-1)---	1-C11
					4-D9	4-M8	4-M8	CORD, HIGH TENSION (L-2)---	1-D11
					4-D9	4-M8	4-M8	CORD, HIGH TENSION (T-1)---	1-C11
					4-D9	4-M8	4-M8	CORD, HIGH TENSION (T-2)---	1-C11
					4-D9	4-M8	4-M8	CORD, HORN-ST. WHEEL-----	2-E5
					4-D9	4-M8	4-M8	CORD, INDICATOR-----	3-F11
					4-D9	4-M8	4-M8	CORD, LICENSE LAMP-----	3-K5
					4-D9	4-M8	4-M8	CORD, SHORT-----	4-I7
					4-D9	4-M8	4-M8	CORD, SHORT-FRT SEAT BACK--	3-J13
					4-D9	4-M8	4-M8	CORE, HEATER-----	4-E3
					4-D9	4-M8	4-M8	COTTER, TAPER-----	1-F10
					4-D9	4-M8	4-M8	COUPLER, SOLENOID VALVE---	1-H12
					4-D9	4-M8	4-M8	COVER-----	1-K4
					4-D9	4-M8	4-M8	COVER(L), SERVICE-RR FLOO---	2-N10
					4-D9	4-M8	4-M8	COVER(L), SERVICE-RR FLOO---	3-K9
					4-D9	4-M8	4-M8	COVER(L), BELT-----	4-K9
					4-D9	4-M8	4-M8	COVER(L), CLUSTER SWITCH---	4-T5
					4-D9	4-M8	4-M8	COVER(L), DUST-----	2-G6
					4-D9	4-M8	4-M8	COVER(L), DUST-DOOR TRIM---	3-E16
					4-D9	4-M8	4-M8	COVER(L), IN. HANDLE-----	3-J16
					4-D9	4-M8	4-M8	COVER(L), GARNISH-INST.---	3-L10
					4-D9	4-M8	4-M8	COVER(L), HINGE-----	4-L9
					4-D9	4-M8	4-M8	COVER(L), HOLE-DASH. INSU.---	4-E11
					4-D9	4-M8	4-M8	COVER(L), IN. HANDLE-----	3-F15
					4-D9	4-M8	4-M8	COVER(L), LONG-DRIVING&DEFF.	2-L3
					4-D9	4-M8	4-M8	CONNECTOR, SHEL-----	1-J13
					4-D9	4-M8	4-M8	CONNECTOR, SET-----	1-F11
					4-D9	4-M8	4-M8	CONNECTOR, AIR TUBE-----	1-K7
					4-D9	4-M8	4-M8	CONNECTOR, CHANGE LEVER---	2-H11
					4-D9	4-M8	4-M8	CONNECTOR, FLUID HOSE-----	1-M5
					4-D9	4-M8	4-M8	CONSOLE, OVERHEAD-----	3-N5
					4-D9	4-M8	4-M8	CONSOLE, REAR-----	3-F11
					4-D9	4-M8	4-M8	CONT. BOX, ADJ. DUMPER-----	4-N5
					4-D9	4-M8	4-M8	CONTACT, HORN-----	4-M5
					4-D9	4-M8	4-M8	CONTROL, HEATER-----	4-F3
					4-D9	4-M8	4-M8	CONTROL, REMOTE-AUDIO-----	4-K6
					4-D9	4-M8	4-M8	CONTROLLER, AE SYSTEM-DISC	4-M6
					4-D9	4-M8	4-M8	CONVERTER, CATALYST-----	2-E8
					4-D9	4-M8	4-M8	CONVERTER, MONOLITH-----	2-88
					4-D9	4-M8	4-M8	CONVERTER, TORQUE-----	1-F11
					4-D9	4-M8	4-M8	CONVERTER, TORQUE-----	1-M7
					4-D9	4-M8	4-M8	COOLER, OIL-----	1-M7
					4-D9	4-M8	4-M8	CORNER, HEATER-----	1-C5
					4-D9	4-M8	4-M8	CORD, FRONT FOG LAMP-----	3-F5
					4-D9	4-M8	4-M8	CORD, HIGH TENSION (L-1)---	1-C11
					4-D9	4-M8	4-M8	CORD, HIGH TENSION (L-2)---	1-D11
					4-D9	4-M8	4-M8	CORD, HIGH TENSION (T-1)---	1-C11
					4-D9	4-M8	4-M8	CORD, HIGH TENSION (T-2)---	1-C11

ALPHABETICAL INDEX *** ENGLISH ***

COVER(L), KNUCKLE-----	3-I13	COVER, IG. COIL-LEADING----	1-N10	DASH POT-----	1-E6	FASCIA, FRONT-----	3-F3	FRAME(R), CUSHION-FRT-----	3-H13
COVER(L), LAP BELT-----	3-L12	COVER, IG. COIL-T-1-----	1-N10	DECK(L), FLOOR-----	3-K9	FASTENER-----	3-D4	FRAME(R), LAMP LID-----	3-J4
COVER(L), LINK-----	4-D11	COVER, IG. COIL-T-2-----	1-N10	DECK(R), FLOOR-----	3-K9		3-E6	FRAME(R), REAR SIDE-----	3-E9
COVER(L), PASSING HOLE-----	4-K9	COVER, JACK-----	4-H10	DEFLECTOR-----	4-D4		3-F14		3-N8
COVER(L), POCKET-DOOR TRIM	3-J4	COVER, KNOB-HINGE-----	4-K4	DIAL, LUMBER SUPPORT-----	3-C13		3-G3	FRAME(R), REAR SIDE-UPPER-----	3-E9
	3-E16	COVER, MAIN FUSE BLOK-----	4-C8	DIAPHRAGM-----	1-C6		3-14	FRAME(R), SIDE-FRONT-----	3-G7
	3-K16	COVER, MAIN-C. P. UNIT-----	4-M5	DIAPHRAGM, VACUUM-----	1-F12		3-114	FRAME(R), SIDE-OUTER-----	3-M7
COVER(L), RAIL-FRT-----	4-N9	COVER, MOTOR-----	4-G3	DIFFERENTIAL-----	2-E4		3-J14	FRAME(RR.L), FRONT-----	3-F9
COVER(L), RAIL-RR-----	4-N9	COVER, MOTOR-SLIDING ROOF-----	4-F4	DISC. CLUTCH-----	1-E9		4-D13		3-W8
COVER(L), RETRACTOR-----	3-N13	COVER, OIL PUMP-----	1-L11	DISPLAY, SECURITY-ALARM-----	4-G5		4-E10	FRAME(RR.R), FRONT-----	3-D9
COVER(L), RETRACTOR-FRONT-----	4-E11	COVER, OPENER-FLOOR MAT-----	4-G11	DISTRIBUTOR(P), FUEL-----	1-H5		4-F7		3-M8
COVER(L), RETRACTOR-REAR-----	4-E11		4-L11	DISTRIBUTOR(S), FUEL-----	1-H5		4-G13	FRAME, BACK WINDOW-----	4-I4
COVER(L), SENSOR-----	2-F5	COVER, OVER HEAD CONSOLE-----	3-N5	DISTRIBUTOR(OIL), FUEL-----	1-M13		4-I11	FRAME, GLASS HATCH-----	4-J3
COVER(L), SIDE-----	3-C11	COVER, REAR-ALTERNATOR-----	1-E11	DOWEL, TUBULAR-----	1-E3		4-J10	FRAME, INST. PANEL-----	3-K10
COVER(L), SIDE NO. 2-----	3-C11	COVER, RELAY-----	4-C6		1-G3		4-J11	FRAME, RR SEAT BACK-----	3-K13
COVER(L), T-END TRIM-----	4-K10	COVER, ROD-----	1-K10	DRIVING & DIFF.-----	2-D4		4-L4	FRAME, SLIDING ROOF-----	4-D4
COVER(R), BELT-----	4-K9	COVER, SEAL-COWL PANEL-----	3-I9		2-K3		4-L9	FRAME, SUB-----	2-M4
COVER(R), CLUSTER SWITCH-----	4-I5	COVER, SEAL-SHROUD-----	3-I4	DRUM, CLUTCH-----	1-E13		4-M10	FUSE(100A)-----	4-N7
COVER(R), DUST-----	2-F6	COVER, SERVICE HOLE-----	3-H9	DRUM, CONNECTING-----	1-L13		4-M11	FUSE(30A)-----	4-I7
COVER(R), DUST-DOOR TRIM-----	3-E16		3-I9	DRUM, DIRECT-----	1-I13		4-N11		4-N7
	3-J16	COVER, SERVICE HOLE-CLUST.-----	3-F10	DRUM, REAR CLUTCH-----	1-F13	FASTENER(L)-----	3-F14		4-I7
COVER(R), GARNISH-INST.-----	3-L10	COVER, SERVO-----	1-E12	DUCT NO. 1(L)-----	3-H11	FASTENER(R)-----	3-F14		4-I7
COVER(R), HINGE-----	4-K9	COVER, SET-----	2-F6	DUCT NO. 1(L), LAP-VENT.-----	3-I11		3-I14		
	4-L9	COVER, SOCKET-F. FOG LAMP-----	3-D5	DUCT NO. 1(R)-----	3-H11		3-I14		
COVER(R), HOLE-DASH. INSU.-----	4-E11	COVER, SPARE TIRE-----	4-M11	DUCT NO. 1(R), VENTILATOR-----	3-I11	FASTENER, AIR DAM-SKIRT-----	3-D4		
COVER(R), IN. HANDLE-----	3-F15	COVER, STEERING SHAFT-----	2-H5	DUCT NO. 2(L), LAP-VENT.-----	3-I11	FASTENER, BONNET BURDGE-----	3-G6		
	3-K14	COVER, SUB-C. P. UNIT-----	4-M5	DUCT NO. 2(R), LAP-VENT.-----	3-I11	FASTENER, CTR. P/UPP.-----	4-C10		
COVER(R), KNUCKLE-----	3-G12	COVER, THERMOSTAT-----	1-C8	DUCT NO. 2, LAP-VENT.-----	3-I11	FASTENER, DOOR TRIM-----	3-I16		
	3-H13	COVER, TOP-----	1-K11	DUCT(L), 'A' AIR-----	3-E5		3-L15		
COVER(R), LAP BELT-----	4-D11	COVER, UNDER-----	1-G9	DUCT(L), AIR-----	3-E5	FASTENER, DUCT PANEL-----	3-E7		
COVER(R), LINK-----	4-K9		1-K11	DUCT(L), AIR-BRAKE PIPE-----	2-E10		3-M6		
COVER(R), PASSING HOLE-----	3-J4	COVER, UNDER CLUTCH HOUS.-----	1-D9		2-G10	FASTENER, F. WIND. MLD.-----	3-L3		
COVER(R), POCKET-DOOR TRIM	3-E16	COVER, UNDER-FRONT-----	3-J9	DUCT(L), SHOWER-----	4-D3	FASTENER, HINGE COVER-----	4-I9		
	3-K16	COVER, VALVE BODY-----	1-K12	DUCT(L), SIDE DEMIST.-----	3-H11	FASTENER, REAR BUMPER-----	3-G3		
COVER(R), RAIL-FRT-----	4-N9	COVER, VENT-----	1-D9	DUCT(R), 'A' AIR-----	3-D5	FASTENER, SEAL-----	3-F16		
COVER(R), RAIL-RR-----	4-N9	COVER, WHEEL CORE-----	2-E5	DUCT(R), 'B' AIR-----	3-D5		3-K16		
COVER(R), RETRACTOR-----	3-N13		2-N4	DUCT(R), AIR-----	3-D5		4-I11		
	4-E11	COVER, WIPER ARM-REAR-----	4-E9	DUCT(R), AIR-BRAKE PIPE-----	2-E10		4-J10		
COVER(R), RETRACTOR-FRONT-----	4-E11	COVER, WIPER MOTOR-----	4-D9		2-G10		4-J11		
COVER(R), SIDE-----	3-C11	COVER, 'A'(L), FRAME-G. HATCH-----	4-L3	DUCT(R), SHOWER-----	4-D3	FASTENER, TAPPING-----	4-M11		
	3-N10	COVER, 'A'(R), FRAME-G. HATCH-----	4-K3	DUCT(R), SIDE DEMIST.-----	3-H11	FASTENER, TOP CEILING-----	4-I9		
COVER(R), SIDE NO. 2-----	3-C11	COVER, 'A', HOLE-----	4-D11	DUCT, AIR-----	4-C3	FASTENER, TRIM-SLIDE ROOF-----	4-E4		
COVER(R), T-END TRIM-----	4-K10	COVER, 'B'(L), FRAME-G. HATCH-----	4-L3	DUCT, AIR-RADIATOR SHROUD-----	3-M6	FASTENER, TURN-SIDE LID-----	4-M10		
COVER, ACTUATOR-----	4-E6	COVER, 'B'(R), FRAME-G. HATCH-----	4-K3		3-H11		4-L10		
COVER, AIR CLEANER-----	1-K5	COVER, 'B', HOLE-----	4-D11	DUCT, CENTER-----	3-H11	FEEDER & COVER-----	4-E7		
COVER, ANCHOR-----	3-M13	COVER, 'T', HYDRAULIC UNIT-----	2-K10	DUCT, DEFROSTER-----	4-C3		4-N6		
COVER, BEARING-----	1-G9	COVER, 'L', HYDRAULIC UNIT-----	2-K10	DUCT, FRESH AIR-----	1-J5		4-N6		
COVER, BLIND-----	1-H9	COWLING, FAN-----	1-D8		1-K5	FEEDER-ANTENNA-----	4-N6		
	1-K10	COWLING, RADIATOR-----	1-D8			FEEDER, ANTENNA-----	4-E7		
COVER, BOX-BATTERY-----	1-J11	CUP, SECONDARY-----	2-D10			FILM, PANEL NO. 1-----	4-F3		
COVER, BRACKET-DAMPER STAY	4-K3		2-N9			FILTER, FUEL-----	1-G5		
COVER, CLUTCH-----	1-D9		3-M6			FILTER, FUEL PUMP-----	1-F5		
COVER, COLUMN-LOWER-----	3-D10	CUSHION-----	3-M6			FINISHER, REAR-----	1-E6		
COVER, COLUMN-UPPER-----	3-D10	CUSHION(L), FRT SEAT-----	3-I13			FLANGE-----	1-L13		
COVER, DAMPER STAY-----	4-K3		3-J12			FLANGE, COMPANION-----	2-D4		
COVER, DIAL-----	3-D13	CUSHION(R), FRT SEAT-----	3-D12			FLANGE, DRIVE-----	2-K3		
COVER, DOOR BODY-----	3-E15		3-E12	ELECTRIC UNIT, A. B. S.-----	2-L10	FLANGE, REAR AXLE-----	2-F3		
	3-I15	CUSHION, REAR SEAT-----	3-G13	ELEMENT, AIR CLEANER-----	1-K5	FLOAT-----	2-C10		
COVER, DUST-----	1-F8		3-K13	END, CONTROL LEVER-----	1-J10		2-M9		
	1-J3	CUSHION, RUBBER-----	3-D15	END, S-ROD(1ST&2ND)-----	1-I10	FOAM(L), ENGY. ABS.-RR BUMP-----	3-H3		
	1-M3		3-I15	END, S-ROD(3RD&4TH)-----	1-I10	FOAM(L), ENGY. ABS.-FRT BUMP-----	3-G3		
	2-F3		3-J10	END, SHIFTER-----	1-J10	FOAM(R), ENGY. ABS.-RR BUMP-----	3-H3		
	2-H5	CYL., CLUTCH MASTER-----	4-N10	END, SHIFTER ROD(O. TOP&REV.)-----	1-J10	FOAM(R), ENGY. ABS.-FRT BUMP-----	3-G3		
	2-I5		2-M8	ENGINE, SHORT-----	1-C3	FORK, BRAKE-----	2-I9		
	2-L5	CYL., CLUTCH RELEASE-----	2-M8		1-D3		2-K9		
COVER, DUST-CLUTCH FORK-----	1-D9	CYL., TANDEM MASTER-----	2-D10	EQUALIZER, GRAPHIC-----	4-J6	FORK, CLUTCH-----	2-H9		
COVER, END-----	2-J5		2-N9	ESCUTCHEON-----	3-M14	FORK, CLUTCH RELEASE-----	1-E9		
	2-M5			EYE BOLT KIT, ST. GEAR-----	2-K5	FORK, SHIFTER-----	1-I10		
COVER, FRONT-----	1-C4				2-M5	FORK, SHIFTER(1ST&2ND)-----	1-I10		
	1-K3				2-N5	FORK, SHIFTER(3RD&4TH)-----	1-I10		
COVER, FRONT CLUTCH-----	1-D9					FORK, SHIFTER 5TH & REVERSE-----	1-I10		
COVER, FRONT-ALTERNATOR-----	1-E11					FORK, SHIFTER-5TH & REVERSE-----	1-I10		
COVER, FUSE BLOCK-----	4-I7					FRAME(L), BACK-FRT-----	3-N12		
COVER, HOLE-----	3-H9					FRAME(L), CUSHION-FRT-----	3-I13		
	3-I9	DAM(C), AIR-SKIRT-----	4-E13			FRAME(L), LAMP LID-----	3-L12		
	4-G5	DAM, AIR-SKIRT-----	4-E13			FRAME(L), REAR SIDE-----	3-K4		
COVER, HOLE-CLUSTER SWITCH	3-F10	DAM, FRT. WSHLD GLASS-----	4-M3			FRAME(L), REAR SIDE-----	3-C9		
COVER, HOLE-H/F.RAME&FEADER	4-E9		4-M3	FABRIC COVERING, ROOF PANE-----	4-H4		3-G9		
COVER, HOLE-LIFT GATE-----	3-E15	DAM, RR. WINDOW GLASS-----	4-M3	FABRIC, TOP-SOFT TOP-----	4-G4	FRAME(L), REAR SIDE-UPPER-----	3-G9		
	3-I9	DAMPER-----	3-E10	FAN & FAN DRIVE-----	1-D8	FRAME(L), SIDE-FRONT-----	3-M7		
	3-I15	DAMPER(L), FRONT-----	2-M6	FAN DRIVE-----	1-D8	FRAME(L), SIDE-OUTER-----	3-C8		
COVER, HOLE-QTR TRIM-----	4-C13	DAMPER(R), FRONT-----	2-M6	FAN, ADDITIONAL-----	1-N7	FRAME(R), BACK-FRT-----	3-I12		
COVER, HOLE-STORAGE BOX-----	4-N10	DAMPER, DYNAMIC-----	1-E10	FAN, COOLING-----	1-C8	FRAME(R), CUSHION-FRT-----	3-F12		
COVER, HORN PAD-----	2-C5	DAMPER, REAR-----	2-J4		4-G3				

ALPHABETICAL INDEX FROM ENGLISH FROM

NUT, FLANGE-CAP-----	4-D11	PANEL (RR, L), QUARTER-LOW.	3-N7	PINION-----	1-H11	PIPE 'B', CYLINDER-----	2-N5
	4-K11	PANEL (RR, R), QUARTER-LOW.	3-F8	PINION, DIFFERENTIAL-----	2-M3	PIPE 'B', ST. GEAR-----	2-N5
NUT, HOOD OUTER-----	4-H4	PANEL, FABRIC, ROOF-----	3-L7	PIPE-----	3-J3	PISTON, ACCUM-----	1-M12
NUT, HUB-----	2-C7	PANEL, BULK HEAD-----	4-I4		4-E6	PISTON, ACCUMULATOR-----	1-G12
NUT, LOCK-----	1-F4	PANEL, CENTER-----	3-G9		4-E7	PISTON, BAND SERVO-----	1-D12
	2-D4	PANEL, COWL-----	3-C10		4-J8	PISTON, CLUTCH-----	1-E13
	2-K3	PANEL, DASH-LOWER-----	3-K7		4-L8	PISTON, FLOATING-----	2-D10
NUT, LOCK-CLUTCH HUB-----	1-F10	PANEL, DASH-UPPER-----	3-K7	PIPE NO.2, OIL FILLER-----	4-N6	PISTON, LOW & REVERSE-----	1-L13
NUT, LOCK-COUNTER SHAFT BR-----	1-D10	PANEL, RAD. SHROUD-----	3-C7	PIPE NO.2, VACUUM-----	1-H3	PISTON, N/D ACCUM-----	1-M12
NUT, LOCK-RACK-----	2-15		3-N12	PIPE (L), BRAKE-FRONT-----	1-N6	PISTON, O.W. VALVE-----	2-M8
	2-L5	PANEL, REAR END-----	3-H8		2-E10	PISTON, PRIMARY-----	2-D10
NUT, LOWER ARM-----	2-E3	PANEL, REAR END-----	3-N7		2-F10		2-N9
NUT, MOUNTING-ANTENNA-----	4-D7	PANEL, ROOF-----	3-K8		2-G10	PISTON, 1/2 ACCUM-----	1-M12
	4-M6		3-L8	PIPE (L), REAR BRAKE-----	2-H10	PLATE-----	1-E4
NUT, SHAFT-----	1-C14	PANEL, SLIDING ROOF-----	4-I4		2-H10		2-I4
NUT, SPEED-----	3-E16	PANEL, SWITCH-----	3-N7	PIPE (R), BRAKE-FRONT-----	2-H10		2-K9
	3-K16	PAN, FLOOR-FRONT-----	4-C4		2-I10		3-F6
	4-I11	PAN, FLOOR-FRONT-----	3-F11		2-I10	PLATE NO.1, PRINT-----	3-H10
NUT, SPEED-STEERING LOCK-----	3-D3	PAN, FLOOR-REAR-----	2-D10		2-G10		3-I10
NUT, SPRING-----	3-G3	PAN, FLOOR-REAR-----	2-N9	PIPE (R), REAR BRAKE-----	2-H10	PLATE NO.1, SET-F. BUMPER-----	3-F3
	3-J10	PAN, OIL-----	2-N8		2-F10	PLATE NO.2(L), SET-F. BUMPER-----	3-F3
	4-G13	PAN, OIL-----	2-M8	PIPE (R), REAR BRAKE-----	2-H10	PLATE NO.2(R), SET-F. BUMPER-----	3-F3
NUT, SPRING-AIR DAM SKIRT-----	4-E13	PAN, SPARE TIRE-----	2-N9	PIPE, AIR-----	1-N4	PLATE NO.3(L), SET-F. BUMPER-----	3-G3
NUT, STOPPER-----	1-M7		4-C9		2-G8	PLATE NO.3(R), SET-F. BUMPER-----	3-G3
NUT, WIPER ARM-FRONT-----	4-N8		4-G9	PIPE, AIR INTAKE-INT. COOLE-----	2-K8	PLATE SET-----	2-K6
			2-N4	PIPE, AIR-VALVE ACTUATOR-----	1-C5	PLATE SET, REAR DAMPER-----	2-H4
			2-N4	PIPE, AIR-VALVE ACTUATOR-----	1-C7	PLATE (C), SET-REAR BUMPER-----	3-H3
			1-I9	PIPE, BRAKE-FRT-----	1-N6	PLATE (F., L), CLOSING-----	3-H7
			1-D14	PIPE, BRAKE-FRT-----	2-F10	PLATE (F., R), CLOSING-----	3-G7
			2-D9	PIPE, BRAKE-REAR-----	2-G10	PLATE (FRT), SET-ROOF PANEL-----	4-I4
			2-I9	PIPE, CLUTCH-----	2-H10	PLATE (L), CORNER-----	3-I8
			2-K9	PIPE, CLUTCH-----	2-F10	PLATE (L), END-----	3-N7
			2-H9	PIPE, DRAIN-RR FENDER-----	2-H10	PLATE (L), FIXING-SIDE SILL-----	3-I8
			1-M7	PIPE, EVAPO-----	2-C9	PLATE (L), FRONT SCUFF-----	4-H10
			1-D4	PIPE, EVAPORATION-----	3-L7		4-L10
			2-E4	PIPE, EVAPORATION-FRONT-----	2-E11	PLATE (L), KICK-D. TRIM-----	3-I16
			2-L3	PIPE, EXHAUST-FRONT-----	2-E11		3-K15
			1-G4	PIPE, EXHAUST-FRONT-----	2-F9		3-L15
			1-G4	PIPE, FILLER-----	2-E11	PLATE (L), REAR CORNER-IN.-	3-I8
			3-C8	PIPE, FILLER NO.2-----	2-E8	PLATE (L), SEAL-----	3-M8
			3-J8	PIPE, FILLER-F. WASHER TANK-----	2-I8	PLATE (L), SEAL-CLOSING-----	3-I7
			3-C8	PIPE, FILLER-F. WASHER TANK-----	2-E9	PLATE (L), SEAL-RR S/FRAME-----	3-F9
			3-I8	PIPE, FILLER WASH TANK-----	4-J8	PLATE (L), SET-RR BUMPER S.-----	3-N8
			3-I8	PIPE, FUEL MAIN-----	4-L8	PLATE (L), SET-RR BUMPER S.-----	3-I3
			3-J8	PIPE, FUEL-RETURN-----	3-K3	PLATE (R), CORNER-----	3-G8
			3-C8	PIPE, HEATER-----	2-E11	PLATE (R), END-----	3-L7
			3-J8	PIPE, HEATER UNIT-----	2-E11	PLATE (R), FIXING-SIDE SILL-----	3-G8
			3-G8	PIPE, MIDDLE-----	4-C3	PLATE (R), FRONT SCUFF-----	4-H10
			3-M7	PIPE, OIL-----	4-E3		4-L10
			3-G8	PIPE, OIL FILLER-----	2-F8	PLATE (R), KICK-D. TRIM-----	3-I16
			3-M7	PIPE, OIL INLET-----	2-J8		3-K15
			3-J8	PIPE, OIL LEVEL GAUGE-----	1-O5	PLATE (R), REAR CORNER-IN.-	3-F8
			3-M7	PIPE, OIL OUTLET-F. COVER-----	1-L11	PLATE (R), SEAL-----	3-F8
			2-I6	PIPE, OIL FILLER-----	1-F3	PLATE (R), SEAL-CLOSING-----	3-I7
			2-J9	PIPE, OIL INLET-----	1-M3	PLATE (R), SEAL-RR S/FRAME-----	3-D9
			2-M3	PIPE, OIL LEVEL GAUGE-----	1-C5	PLATE (R), SET-RR BUMPER-----	3-M8
			4-G4	PIPE, OIL LEVEL GAUGE-----	1-O5	PLATE (R), SET-RR BUMPER S.-----	3-H3
			3-F15	PIPE, OIL OUTLET-F. COVER-----	1-E3	PLATE (R), SET-RR BUMPER S.-----	3-H3
			3-K14	PIPE, PEDAL-----	1-G3	PLATE (RR., L), CLOSING-----	3-M7
			1-J3	PIPE, PEDAL-----	1-J7	PLATE (RR., R), CLOSING-----	3-G7
			1-M3	PIPE, REAR WASH-LOWER-----	2-I9	PLATE (RR.), SET-ROOF PANEL-----	4-I4
			1-G7	PIPE, REAR WASH-UPPER-----	2-KC	PLATE (UP.), SET-FASCIA-----	3-D7
			1-K7	PIPE, RETURN-----	4-D9		3-L6
			2-H3	PIPE, SCREEN WASHER-----	4-D9	PLATE (UP., L), COWL SIDE-OU-----	3-E8
			2-H6	PIPE, VACUUM-----	2-D6	PLATE (UP., R), COWL SIDE-OU-----	3-E8
			1-I10		4-K8		3-L7
			4-F12	PIPE, VANE PUMP-----	4-M8	PLATE ABSORBER-----	1-M4
			3-D13	PIPE, VINYL-----	1-L11	PLATE, BACKING-----	1-K11
			2-H3		1-L6	PLATE, BAFFLE-DIFF CASING-----	2-G4
			2-H3		1-L11		2-N3
			2-H6		2-C10	PLATE, CAM-----	2-L4
			1-D9		2-D10	PLATE, CAUTION-----	4-L12
			2-H11		2-M9	PLATE, CLAMP-----	2-J5
			2-I9		2-E6		2-M5
			2-L9	PIPE, WATER IN -TURBO CHAR-----	4-J8	PLATE, COATING-SHAFT-----	2-G5
			1-E3	PIPE, WATER OUT -TURBO CHA-----	4-L8	PLATE, CONTACT-----	2-E5
			1-G3	PIPE 'A', CYLINDER-----	1-C5	PLATE, CRANKSHAFT PULLEY-----	1-D4
			2-J5		1-C5	PLATE, DISC-----	2-F3
			2-M5	PIPE 'A', ST. GEAR-----	2-K5	PLATE, DISHED-----	1-E13
			1-K3		2-N5	PLATE, DRAIN PLUG-UNDER C.-----	1-H9
			1-N3	PIPE 'B', CYLINDER-----	2-K5	PLATE, DRIVE-----	1-K11
			1-J3		2-N5	PLATE, DRIVEN-----	1-E13
			1-M3		2-K5		

ALPHABETICAL INDEX *** ENGLISH ***

PLATE, DRIVEN-----	1-M13	PLUG, HOLE-HATCH FRAME LOW	4-L3	PROTECTOR'E'(L), SIDE	3-H4	REINF. (R), COWL SIDE PANEL	3-E8	RING, 'O'	1-E3
PLATE, EARTH-MOTOR ANTENNA	4-D7	PLUG, HOLE-HATCH FRAME UP	4-L3	PROTECTOR'E'(R), SIDE	3-G4	REINF. (R), COWL SIDE-INNER	3-L7		1-E12
	4-M6	PLUG, HOLE-LAMP & WIP. HARN	4-K3		3-H4		3-E8		1-F3
PLATE, FIXING-----	3-L8	PLUG, JET-----	1-E3	PROTR. STUD-DIVISION CHAN-	3-I14		3-L7		1-F4
PLATE, FLASHER-C. P. UNIT-	4-M5		1-G3	PRUG, DRAIN HOSE-RR FLOOR-	4-H4	REINF. (R), F. PILLER INNER	3-E8		1-G3
PLATE, FRONT-SOFT TOP-----	4-H4	PLUG, LOCK UP-----	1-M12	PULLEY-----	1-F11	REINF. (R), NO. 3 MEMBER-UP	3-E9		1-G7
PLATE, GUARD-CALIPER BRAKE	2-G3	PLUG, MAGNET-----	1-G9	PULLEY, AIR PUMP-----	1-G6	REINF. (R), QTR PANEL-REAR	3-O8		1-G12
PLATE, HOLDER-BRUSH-----	4-C9		2-D4	PULLEY, CRANKSHAFT-----	1-D4	REINF. (R), RAD. SHROUD	3-L6		1-H5
	4-G9		2-K3	PULLEY, IDLE-----	1-F8	REINF. (R), SIDE SILL	3-G8		1-H7
PLATE, HUB-DISK-----	2-F6	PLUG, OIL JET-----	1-D4	PULLEY, VANE PUMP-----	2-D6		3-M7		1-H9
PLATE, LIGHT GUIDE-METER-----	3-I10	PLUG, PINION-----	2-15	PULLEY, WATER PUMP-----	1-N7	REINF. (R), STRIKER-----	3-O8		1-H12
PLATE, LOCATING-----	1-K4	PLUG, REGULATER-----	2-15	PUMP KIT-----	3-K3	REINF. (R), WHEEL APRON-----	3-H7		1-I3
PLATE, LOCK-----	2-F4	PLUG, SERVICE COVER-----	1-J12	PUMP SET, WATER-----	1-N7	REINF. (UP), FINISHER-REAR	3-E6		1-J3
	2-M3		2-F10	PUMP, AIR-----	1-G6	REINF. , CROSSMEMBER NO3-UP	3-E9		1-J4
	4-N10		2-H8	PUMP, FUEL-----	1-F5	REINF. , JOINT HOSE-FUEL	2-E9		1-J7
PLATE, LOCK-ASH TRAY-----	3-E10		2-L8	PUMP, METERING OIL-----	1-G7	REINF. , SPARE TIRE	3-E9		1-J12
PLATE, MANUAL-----	1-C14	PLUG, SOCKET-----	3-F5		1-J7	REINF. 'A'(L), FRONT FLOOR	3-F9		1-K7
PLATE, MAT SET-----	4-H11		1-F3	PUMP, OIL-----	1-F7	REINF. 'A'(L), RAD. SHROUD	3-D7		1-M3
	4-I11		1-H3		1-I7	REINF. 'A'(R), FRONT FLOOR	3-D9		1-M11
PLATE, MIDDLE-----	1-F7	PLUG, SPARK-----	1-N10	PUMP, VANE-----	1-K11	REINF. 'A'(R), RAD. SHROUD	3-C7		1-N12
	1-I7	PLUG, SQUARE HEAD-----	1-C12	PUMP, WASHER-----	2-D6	REINF. 'B'(L), FRONT FLOOR	3-F9		4-O5
PLATE, MODEL-----	4-K12	PLUG, STOPPER-----	1-L12		4-E9	REINF. 'B'(L), RAD. SHROUD	3-D7		4-E5
PLATE, MOUNTING-RR DAMPER-	2-H4	PLUG'A', BLIND-S. SPOILER	3-O4		4-K8	REINF. 'B'(R), FRONT FLOOR	3-D9		4-N4
PLATE, PARTITION-----	3-C10	PLUG'B', BLIND-S. SPOILER	3-O4		4-M8	REINF. 'B'(R), RAD. SHROUD	3-C7		4-D7
PLATE, RETAINING-----	1-C14	PLUNGER, CONTROL-----	1-C4			REINF. 'C'(L), FRONT FLOOR	3-F9		4-M6
	1-F13		1-F7			REINF. 'C'(L), RAD. SHROUD	3-D7		1-F5
	1-J13	POLE, ANTENNA-----	1-I7			REINF. 'C'(R), FRONT FLOOR	3-D9		1-G4
	1-M13		1-L3			REINF. LOCK-R. END PANEL	3-E8		2-D10
PLATE, SEAL-FRONT BUMPER---	3-F3		4-E7			REINFORCEMENT, BUMPER	3-F3		2-N9
PLATE, SEAL-RAD. SHROUD---	3-E7	PROTECTOR-----	4-N6				3-H3		4-D7
	3-N6		1-F5			REINFORCEMENT, FOOT-----	3-K8		4-M6
PLATE, SEPARATOR-----	1-K12		1-G5	RACE, BEARING-----	1-H13	REINFORCEMENT, TUNNEL-FRT	3-D9		4-N4
	1-L12		1-L12	RACE, BEARING OIL DISTR---	1-I13	REINFORCEMENT, TUNNEL-REAR	3-E9		1-G4
PLATE, SET-----	2-N4		1-M6	RELAY-----	1-M13	RELAY	4-G3		2-D6
PLATE, SET-FASCIA-----	3-C7		1-M7	RACE, BRG. HUB CLUTCH-----	1-J13	RELAY & COVER, NORMAL CLOS	4-M5		1-J3
	3-L6		2-I9	RACE, BRG. PUMP COVER-----	1-H13	RELAY & COVER, NORMAL OPEN	4-E5		1-M3
PLATE, SET-HINGE BRACKET---	3-E8		4-O5	RACE, INNER-----	1-D12	RELAY, FUEL PUMP-----	4-C5		2-E6
PLATE, SET-HOLDER-----	3-H6	PROTECTOR NO.2-----	4-G13		1-M9	RELAY, MAIN-----	4-C5		4-N4
PLATE, SET-HOOD REAR-----	4-I4	PROTECTOR(L), AIR BAG-----	4-N4	RACE, OUTER-----	1-N9	RELAY, MOTOR-ANTENNA-----	4-D7		2-J5
PLATE, SHROUD-UPPER-----	3-C7	PROTECTOR(L), AIR BAG---	2-H8	RACE, OUTER-ONE WAY CLUTCH	1-L13		4-M6		2-M5
	3-L6	PROTECTOR(L), DOOR SASH---	3-I7	RACE, SHELL BEARING-----	1-J13	RELAY, MOTOR-HYD. UNIT-----	2-K10		1-E3
PLATE, SIDE 'A'-----	1-K12	PROTECTOR(L), DOOR SASH---	3-I14	RACK, STEERING GEAR-----	1-G13	RELAY, N.O.-----	4-E5		1-G3
PLATE, SIDE 'B'-----	1-K12	PROTECTOR(L), RETRACTABLE-	3-J4		2-I5		4-M5		2-N6
PLATE, SIDE 'D'-----	1-J12	PROTECTOR(L), RR. COMB-----	3-I5	RADIATOR-----	2-L5	RELAY, SLIDE ROOF-----	4-C4		4-G5
PLATE, STABILIZER-----	2-N6	PROTECTOR(L), SPLASH-----	3-H8	RAIL(L), GUIDE-----	1-C8	RELAY, SLIDING ROOF-----	4-E4		3-F10
PLATE, STABILIZER-RR-----	2-K4		3-N7	RAIL(L), RAIN-----	1-D8	RELAY, TRANSFER-----	4-N5		1-E10
PLATE, THRUST-----	1-E4	PROTECTOR(R), AIR BAG-----	3-I7	RAIL(L), ROOF-INNER-----	4-D4	RELAY, VALVE-HYD. UNIT-----	2-K10		1-J10
PLATE, UPPER-----	3-E11	PROTECTOR(R), DOOR SASH---	3-I14	RAIL(L), ROOF-OUTER-----	3-C8	REPAIR KIT-----	4-N5		1-K9
PLATE, WATER BAFFLE-----	1-N7	PROTECTOR(R), RETRACTABLE-	3-J4	RAIL(R), GUIDE-----	3-I8	RESISTOR, SOL -FUEL PUMP---	2-N9		2-E3
PLATE 'A' (L), CLOSING-FRT---	3-F9	PROTECTOR(R), RR. COMB-----	3-I5	RAIL(R), RAIN-----	4-C4	REST(L), ARM-----	4-C5		2-M9
	3-N8	PROTECTOR(R), SPLASH-----	3-F8		4-D4		3-G16		3-I4
PLATE 'A' (L), CLOSING-RR---	3-F9		3-M7	RAIL(R), ROOF-INNER-----	3-G8	REST(R), ARM-----	3-L16		1-D10
	3-N8	PROTECTOR, BONNET BURDGE---	3-G6	RAIL(R), ROOF-OUTER-----	3-M7		3-F16		1-C12
PLATE 'A' (R), CLOSING-FRT---	3-D9	PROTECTOR, CONVERTER-----	2-H8	RECE, SIDE-ONE WAY CLUTCH-	3-M7		3-L16		1-M12
	3-M8		2-L8	RECTIFIER-----	1-I13	REST, FOOT-----	2-I9		1-M13
PLATE 'A' (R), CLOSING-RR---	3-E9	PROTECTOR, COWL GRILL-----	3-E6	REGULATOR(L), WINDOW-----	4-M7	RESTRAINT, HEAD-----	3-C12		1-D10
	3-M8	PROTECTOR, EVAPO HOSE-----	2-F11	REGULATOR(R), WINDOW-----	3-C15		3-G13		1-E13
PLATE 'B' (L), CLOSING-FRAME	3-C9	PROTECTOR, EVAPD HOSE-FRT---	2-F11	REGULATOR, PRESSURE-----	3-N14	RETAINER-----	1-C14		1-F7
PLATE 'B' (R), CLOSING-FRAME	3-M8	PROTECTOR, FRONT BAR-----	4-H4	REGULATOR, SPRING-----	3-H15	RETAINER(C), FORMING BAR---	4-J4		1-F10
PLATE 'C' (L), CLOSING-FRAME	3-C9	PROTECTOR, FRONT PIPE-----	2-K8	RETAINER(L), FORMING BAR---	3-H15	RETAINER(L), FORMING BAR---	4-J4		1-F13
	3-G9	PROTECTOR, FUEL HOSE-----	1-G5	RETAINER(L), ROOF PANEL-----	3-H15	RETAINER(L), ROOF PANEL-----	4-K4		1-G13
PLATE 'C' (R), CLOSING-FRAME	3-E9	PROTECTOR, HANGER BRACKET---	2-E11	RETAINER(R), FORMING BAR---	3-N14	RETAINER(R), FORMING BAR---	4-J4		1-I7
	3-M8		2-H8	RETAINER(R), ROOF PANEL-----	1-F7	RETAINER(R), ROOF PANEL-----	4-K4		1-J13
PLATE 'E', SIDE-----	1-M12	PROTECTOR, HOSE-FLUID V.---	1-M5	RETAINER, ACCEL. ROD-----	1-J7	RETAINER, ACCEL. ROD-----	2-D9		1-L9
PLATE 'F', SIDE-----	1-M12	PROTECTOR, HOSE-SUB TANK---	1-E8	RETAINER, FRT BUMPER-----	1-E11	RETAINER, FRT BUMPER-----	3-G3		1-L13
PLUG-----	1-C4	PROTECTOR, NO. PLATE-----	3-G3	RETAINER, LOCK CYL.-----	3-H7	RETAINER, LOCK CYL.-----	3-O3		1-M13
	1-E11	PROTECTOR, R. FINISHER-----	3-E6	RETAINER, SERV.-----	4-E8		1-E12		3-C15
	1-H9	PROTECTOR, RR SPOILER-CTR	4-G13	RETAINER, SPRING-----	4-E8	RING, SQUARE-----	1-E12		1-E3
	1-L3	PROTECTOR, RR FINISHE-----	3-E6	RETRACTOR SET(L), HEAD L.---	4-L7		1-E13		1-G3
	3-H9	PROTECTOR, SPONGE-----	1-D5	RETRACTOR SET(R), HEAD L.---	4-L7	RING, SQUARE-OUTER-----	3-K4		1-G3
PLUG SET, SPARK-----	1-N10	PROTECTOR, SPONGE-AIR HOSE	1-M6	RING-----	3-G9	RING, STOPPER-----	3-J3		3-J3
PLUG, BLIND-----	1-D9	PROTECTOR, SPONGE-WAT. HOSE	1-M6	RING SET, 'O'-----	1-C3	RING, SYNCHRONIZER-----	3-N12		1-G10
	1-J3	PROTECTOR, STOP LAMP-HI. MO	3-J5		1-C3		1-M9		1-G10
PLUG, CAP-----	1-M3	PROTECTOR 'A' (L), SIDE-----	3-E4	RING(L) MOUNTING-----	1-D3	RING, THRUST WASHER-----	1-G10		1-G10
PLUG, CORNER SEAL-----	1-J10	PROTECTOR 'A' (L), SIDE---	3-E4	RING(R) MOUNTING-----	3-F5	RING 'A', SNAP-LOWER UNIT---	4-F4		4-F4
PLUG, DRAIN-----	2-E9	PROTECTOR 'A' (R), SIDE-----	3-F4		3-F5	RING 'B', SNAP-LOWER UNIT---	4-F4		4-F4
	3-H9	PROTECTOR 'B' (L), SIDE---	3-F4	RING, 'O'-----	3-F5	RING 'C', SPROCKET-REG.-----	3-C15		3-C15
	4-I3	PROTECTOR 'B' (R), SIDE---	3-F4		3-I4		3-C4		3-C4
PLUG, DRAIN-VENT. HOSE---	2-F9		3-F4	RING, 'O'-----	1-C6		3-D4		3-D4
PLUG, HOLE-----	3-H9	PROTECTOR 'C' (L), SIDE---	3-F4		1-C12		3-E7		3-E7
	4-I3	PROTECTOR 'C' (R), SIDE---	3-F4	REINF. (L), STRIKER-----	3-G7		3-J7		3-J7
PLUG, HOLE-F. SIDE FRAME---	3-H9	PROTECTOR 'D' (L), SIDE---	3-G4	REINF. (L), WHEEL APRON---	3-H7				
PLUG, HOLE-HATCH FRAME LOW	4-K3	PROTECTOR 'D' (R), SIDE---	3-G4	REINF. (LWR), FINISHER-REAR	3-E6				
				REINF. (R), ROOF RAIL-----	3-M7				
				REINF. (R), A. B. S. -APRON---	3-G7				

ALPHABETICAL INDEX *** ENGLISH ***

RIVET-----	3-M4		SEAL KIT, ST. GEAR-----	2-J5	SHAFT, DRIVE NO. 2-----	4-N8	SPACER-----	2-H9
RIVET, SEAL PLATE-SHROUD--	3-N6	*****	SEAL KIT, VANE PUMP-----	2-M5	SHAFT, DRIVEN GEAR-----	1-G7	SPACER, BONNET STAY-----	2-I9
	3-E7	* S *		2-D6		1-K7	SPACER, BOWEL-----	2-J8
	3-N6	*****	SEAL SET, OIL-----	2-E6	SHAFT, ECCENTRIC-----	1-D4	SPACER, REAR DAMPER-----	2-K9
ROD(R), DOOR LOCK-POWER---	3-G15		SEAL (L), DUST-----	3-J9	SHAFT, ENGY. ABSORBER-----	2-G5	SPACER, WINDOW-----	2-M3
	-114		SEAL (L), RADIATOR-----	1-D8	SHAFT, INPUT-----	1-L11	SPACER, WINDOW-----	2-N3
ROD, CLUTCH PEDAL-----	2-H9		SEAL (R), RADIATOR-----	1-D8	SHAFT, INTERMED.-----	2-G5	SPACER, WINDOW-----	2-M10
ROD, CONTROL-----	1-J10		SEAL (R), RADIATOR-----	1-E13	SHAFT, INTERMEDIATE-----	1-J13	SPACER, WINDOW-----	3-D12
ROD, DIAPHRAGM-----	1-F12		SEAL, 'O' RING-----	1-F12	SHAFT, MAIN-----	1-K9	SPACER, WINDOW-----	3-G13
ROD, MOTOR-----	3-L4			1-G12	SHAFT, MANUAL-----	1-C14	SPACER, WINDOW-----	4-M3
ROD, PARKING-----	1-C14			1-M13	SHAFT, OIL PUMP-----	1-F7	SPACER, WINDOW-----	4-N3
ROD, PUSH-----	2-H9		SEAL, APEX-----	1-G4	SHAFT, OUT PUT-----	1-I7	SPACER, WINDOW-----	1-K11
	2-M8		SEAL, CORNER-----	1-G4		2-E6	SPACER, WINDOW-----	3-H6
ROD, SELECTOR-----	2-I11		SEAL, CUT RING-----	1-C12	SHAFT, PARKING PAWL-----	2-F4	SPACER, WINDOW-----	3-D14
ROD, SHIFT(1ST&2ND)-----	1-I10			1-L11	SHAFT, PINION-----	1-C14	SPACER, WINDOW-----	2-H4
ROD, SHIFT(3RD&4TH)-----	1-I10		SEAL, DUST-BALL JOINT-----	2-J5	SHAFT, PROPELLER-----	1-G11	SPACER, WINDOW-----	4-M3
ROD, SHIFT-OVER TOP & REVE	1-J10			2-N5	SHAFT, PULLEY-----	2-C3	SPACER, WINDOW-----	4-M3
ROD, TRUNK OPENING-----	3-J6		SEAL, DUST-CLUSTER SWITCH-	3-F10	SHAFT, REV. IDLE GEAR-----	1-F8	SPACER, WINDOW-----	4-N3
ROD 'A'-----	3-L4		SEAL, LATHE CUT-----	1-E12	SHAFT, V. P. V. CONTROL-----	1-D10	SPACER, WINDOW-----	4-M3
ROD 'B'-----	3-M4			1-E13	SHEET-----	1-K4	SPACER 'A'-----	4-N3
ROTOR-----	1-F11		SEAL, OIL-----	1-C12	SHEET, BOOT-----	2-F9	SPACER 'C'-----	4-N3
	1-H4			1-D4	SHEET, DAMPER-UPPER-----	3-G11	SPEAKER(L), LOUD-FRONT-----	4-E7
	1-I7			1-E9	SHEET, DAMPER-UPPER-----	2-H4	SPEAKER(L), LOUD-FRONT-----	4-N6
ROTOR SET, OIL PUMP-----	1-H7			1-F3	SHEET, RUBBER-----	2-K6	SPEAKER(L), REAR-----	2-H4
ROTOR, SENSOR-FRT A.B.S.---	2-G6			1-G9	SHEET, SPRING-----	2-H9	SPEAKER(L), W/BOX & AMP-----	3-F13
ROTOR, SENSOR-RR A.B.S.---	2-F3			1-H9	SHEET, SPRING-REAR DAMPER-	2-L6	SPEAKER(R), LOUD-FRT-----	4-N6
RUBBER(C), CUSHION-BONNET-	3-I6			1-I3	SHELL, CONNECTING-----	2-H4	SPEAKER(R), LOUD-RR-----	4-E7
RUBBER(C), SEAL-BONNET FRT	3-H6		SEAL, OIL-AXLE-----	1-K3	SHIELD(L), SPLASH-S. FRAME	1-G13	SPEAKER, DOOR-----	4-E7
RUBBER(L), SEAL-SIDE PANEL	3-C11		SEAL, OIL-REAR AXLE-----	1-K11	SHIELD(R), SPLASH-S. FRAME	3-J9	SPEAKER, DOOR-----	4-N6
RUBBER(R), SEAL-SIDE PANEL	3-C11			1-N3	SHIM, ADJUST-----	3-J9	SPEAKER, LOUD-REAR-----	4-C7
RUBBER, BLADE-FRONT-----	4-N8		SEAL, PISTON-----	2-D4		1-C10	SPEAKER, LOUD-REAR-----	3-I10
RUBBER, BLADE-REAR-----	4-E9			2-E4		1-K9	SPINDLE, ADJUSTER-----	2-H3
RUBBER, CUSHION-----	3-J6			2-K3		1-N9	SPINDLE, SELECT LOCK-----	1-K10
	3-M4			2-L3		1-E10	SPOILER, REAR-----	4-E13
	4-M11			2-F6		3-D14		4-F13
RUBBER, CUSHION-BONNET FRT	3-I6		SEAL, OIL-AXLE-----	2-F3		3-G14	SPRING-----	1-L12
RUBBER, CUSHION-BONNET RR	3-I6		SEAL, OIL-REAR AXLE-----	2-F6		4-E4	SPRING-----	1-C4
RUBBER, CUSHION-GARNISH---	3-L10		SEAL, PISTON-----	1-D12		4-F4		1-D4
RUBBER, DUST SEAL-----	4-I3			1-L13		4-E4		1-K10
RUBBER, ENGINE MT.-----	2-C8		SEAL, RUBBER-----	2-H3		4-E4		1-K12
	2-D8			1-N4		2-F8		1-L3
	2-E8			3-F6		2-J8		1-L10
RUBBER, HANGER-----	2-I8		SEAL, RUBBER-BATTERY BOX--	1-J11		2-F8		1-L11
	1-F5		SEAL, SIDE-----	1-H4		2-J8		2-M8
RUBBER, INSULATION-----	1-K6		SEAL, SIDE FRAME&BATT. BRKT	3-K9		4-J11		3-E11
	1-M7		SEAL, WATER-PUMP-----	1-N7		4-N11		4-E6
	1-N4		SEAT(L), FRONT-----	3-F13		1-K6		4-H5
RUBBER, MOUNT-----	1-D8			3-M11		4-E13		4-I5
	2-E11		SEAT(R), FRONT-----	3-M11		4-E13		1-C6
	3-E5			3-F13		1-H11		2-M6
RUBBER, MOUNT.-DIFF. CASING	2-G4		SEAT, REGULATOR SPRING---	1-J12		1-H11		2-H3
	2-N3		SENSOR(L), AIR BAG-----	2-F5		1-D10		2-M6
RUBBER, MOUNT-HYO. UNIT---	2-K10		SENSOR(L), FRT-A.B.S.---	2-L10		1-G10		2-H3
RUBBER, MOUNTING-----	1-K5		SENSOR(L), RR-A.B.S.---	2-L10		1-L9		1-M12
	2-I5		SENSOR(R), AIR BAG-----	2-E5		1-M9		1-M12
	2-L5		SENSOR(R), FRT-A.B.S.---	2-F5		1-N9		3-I4
	2-L6		SENSOR(R), RR A.B.S.---	2-E5		2-L10		1-G4
RUBBER, MOUNTING-DIFF-----	2-M4		SENSOR(R), RR A.B.S.---	2-L10		2-F3		3-E10
RUBBER, MOUNTING-IG. COIL---	1-N10		SENSOR, AIR BAG-----	2-E5		2-I1		1-C13
RUBBER, SEAL-----	1-D9		SENSOR, AIR BAG-INNER-----	2-F5		1-J12		2-G5
	1-I9		SENSOR, AIR FLOW-----	1-J5		1-I13		1-C14
RUBBER, SEAL-COWL PANEL---	3-I6		SENSOR, CRANKSHAFT POSI.---	4-C5		1-C12		1-E11
RUBBER, SEAL-INTER COOLER---	1-N4		SENSOR, IN. AIR TEMP-----	4-C5		1-H9		1-I11
RUBBER, SEAL-RR LOWER ARM---	2-L4		SENSOR, KNOCK-----	4-D5		3-H10		3-C10
RUBBER, SEALING-----	1-K4		SENSOR, M.A.P.-----	4-C5		1-H5		2-M6
RUBBER, SEAT-BRG HOUSING---	2-F3		SENSOR, OIL LEVEL-----	4-N4		3-H10		2-J4
RUBBER, STAB-FRT-----	2-N6		SENSOR, OXYGEN-----	4-D5		3-K5		1-G4
RUBBER, STOP-----	3-I7		SENSOR, STEERING PRESSURE---	2-D6		3-K5		1-D12
RUBBER, STOPPER-----	2-D9		SENSOR, TEMP-ENG. COOLANT---	4-C5		3-H5		1-C6
	2-E8		SENSOR, THROTTLE POSITION---	1-E4		3-D5		1-G4
	2-H9		SENSOR, TURN CANCEL-----	4-H5		3-J5		1-H4
	2-I8		SENSOR, WATER LEVEL-----	4-N4		4-E5		3-N10
	2-I9		SEPARATOR, WARNING UNIT---	3-C10		1-C10		4-J12
	2-K9		SHADE(L), REAR COMB. LAMP---	3-H5		1-D10		2-F9
	2-H4		SHADE(R), REAR COMB. LAMP---	3-H5		1-E4		1-K12
RUBBER, STOPPER-RR DAMPER---	2-M4		SHADE, LAMP-LICENSE-----	3-K5		1-F8		1-M12
RUBBER, SUB FRAME-----	2-M4		SHAFT-----	1-H11		1-G6		2-M8
RUBBER, T/MISSION MT.-----	2-C8		SHAFT(L), OUTPUT-----	1-N13		1-I9		1-G4
	2-D8		SHAFT, DIFF. PINION-----	2-F4		1-I10		2-N10
			SHAFT, DRIVE-----	2-M3		1-J5		1-D14
			SHAFT, DRIVE NO. 1-----	2-D3		2-E8		1-G7
				4-N8		2-E11		1-M13
						2-F4		1-D12
						2-G4		1-E13

