

This file is available for free download at <http://www.iluvmyrx7.com>



www.iluvmyrx7.com

Parts Catalog

Mazda RX-7
U.S.A.
('89 ▶ '90)



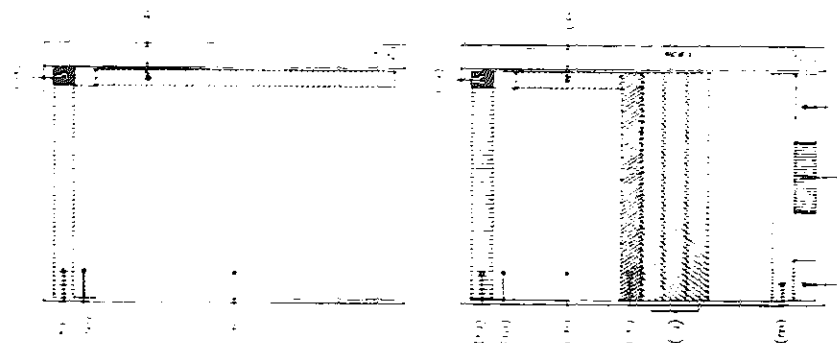
FC3-700001-900000

May '92 (FINAL)
Catalog No. AU-FA02-06

mazda
© 1992 Mazda Motor Corporation


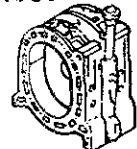

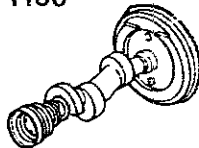

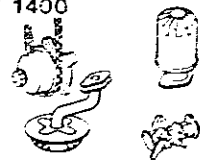
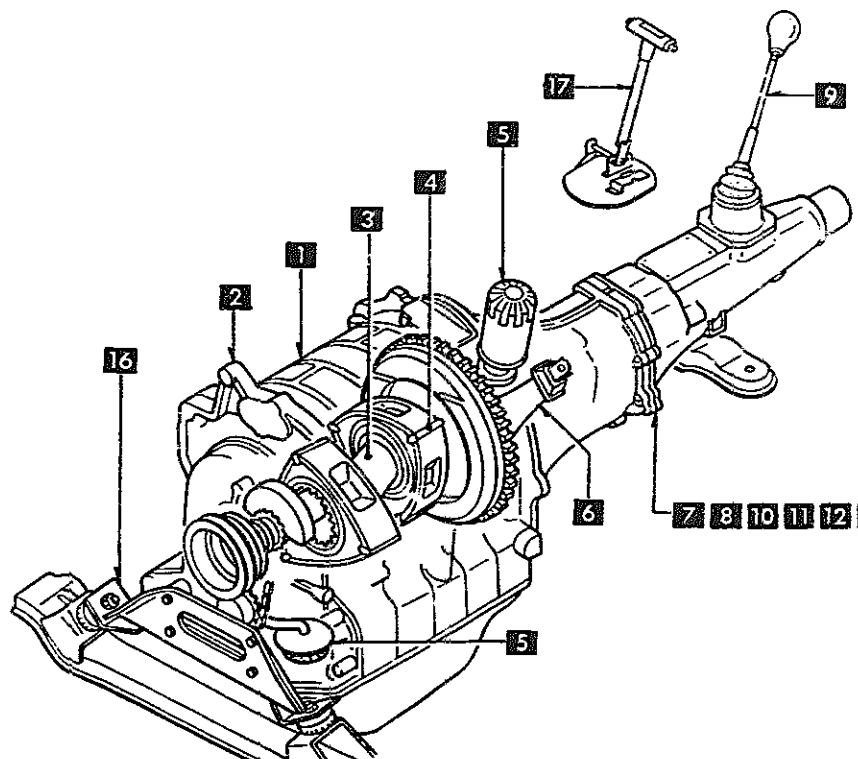
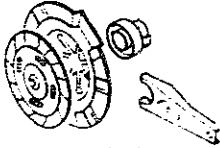
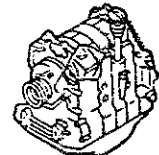
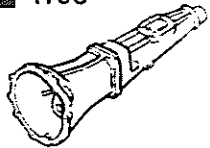

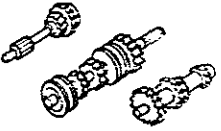
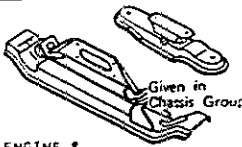
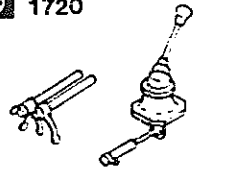
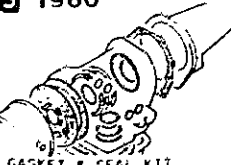
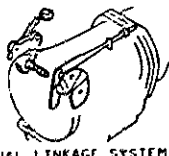
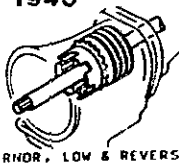
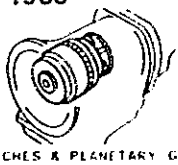
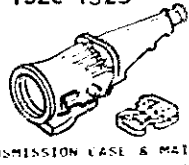
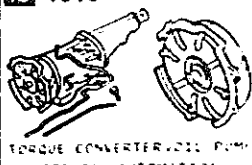
LAYOUT OF CONTENTS

- The following is a brief summary of the layout of contents of Mazda microfiche parts catalog.



- 1 - Layout of contents
- 2 - Pictorial Index
- 3 - Master Section No. Index
- 4 - Section No. Index for the Catalog
- 5 - Illustration & Text
- 6 - Part No. Index
- 7 - Alphabetical Index
- 8 - Model Identification
- 9 - Vehicle Identification System

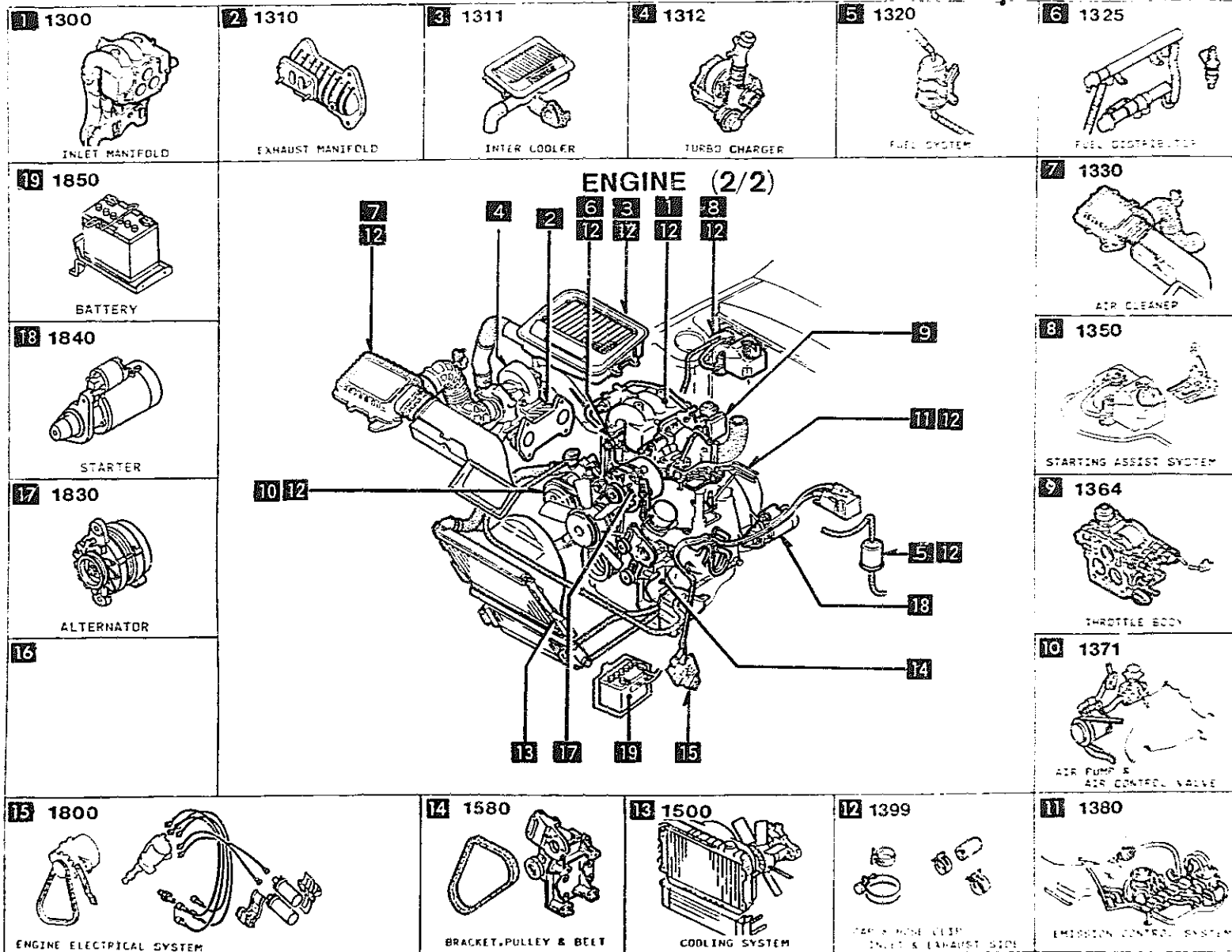
PICTORIAL INDEX

<p>1000</p>  <p>ROTOR HOUSINGS</p>	<p>1 1030</p>  <p>ROTOR HOUSINGS</p>	<p>2 1040</p>  <p>OIL PAN, FRONT & REAR HOUSING</p>	<p>3 1100</p>  <p>ECCENTRIC SHAFT & FLYWHEEL</p>	<p>4 1110</p>  <p>ROTORS & RELATED PARTS</p>	<p>5 1400</p>  <p>OIL PUMP & FILTER</p>		
<p>ENGINE (1/2)</p> 						<p>6 1600</p>  <p>CLUTCH DISC & COVER</p>	
<p>SHORT ENGINE & GASKET SETS</p> 						<p>7 1700</p>  <p>TRANSMISSION CASE (MANUAL)</p>	
<p>17 4600</p>  <p>Given in Chassis Group</p> <p>CHANGE CONTROL SYSTEM</p>							<p>8 1710</p>  <p>TRANSMISSION GEARS (MANUAL)</p>
<p>16 3900</p>  <p>Given in Chassis Group</p> <p>ENGINE & TRANSMISSION MOUNTINGS</p>							<p>9 1720</p>  <p>CHANGE CONTROL SYSTEM (MANUAL)</p>
<p>15 1960</p>  <p>GASKET & SEAL KIT (AUTOMATIC)</p>	<p>14 1950</p>  <p>MANUAL LINKAGE SYSTEM (AUTOMATIC)</p>	<p>13 1940</p>  <p>GOVERNOR, LOW & REVERSE PISTON (AUTOMATIC)</p>	<p>12 1930</p>  <p>CLUTCHES & PLANETARY GEARS (AUTOMATIC)</p>	<p>11 1920 1925</p>  <p>TRANSMISSION CASE & MAIN CONTROL SYSTEM (AUTOMATIC)</p>	<p>10 1910</p>  <p>TORQUE CONVERTER, OIL PUMP & PIPING (AUTOMATIC)</p>		

As this illustration is prepared to be applicable to all models, some parts are different in specifications from the parts listed in this parts Catalog

LD.N
 2-CO
 2-DO
 2-EO
 2-GO
 2-KO
 2-LO
 2-NO
 2-PO
 2-RO
 2-TO
 2-VO
 2-WO
 2-XO
 2-YO
 2-ZO

PICTORIAL INDEX

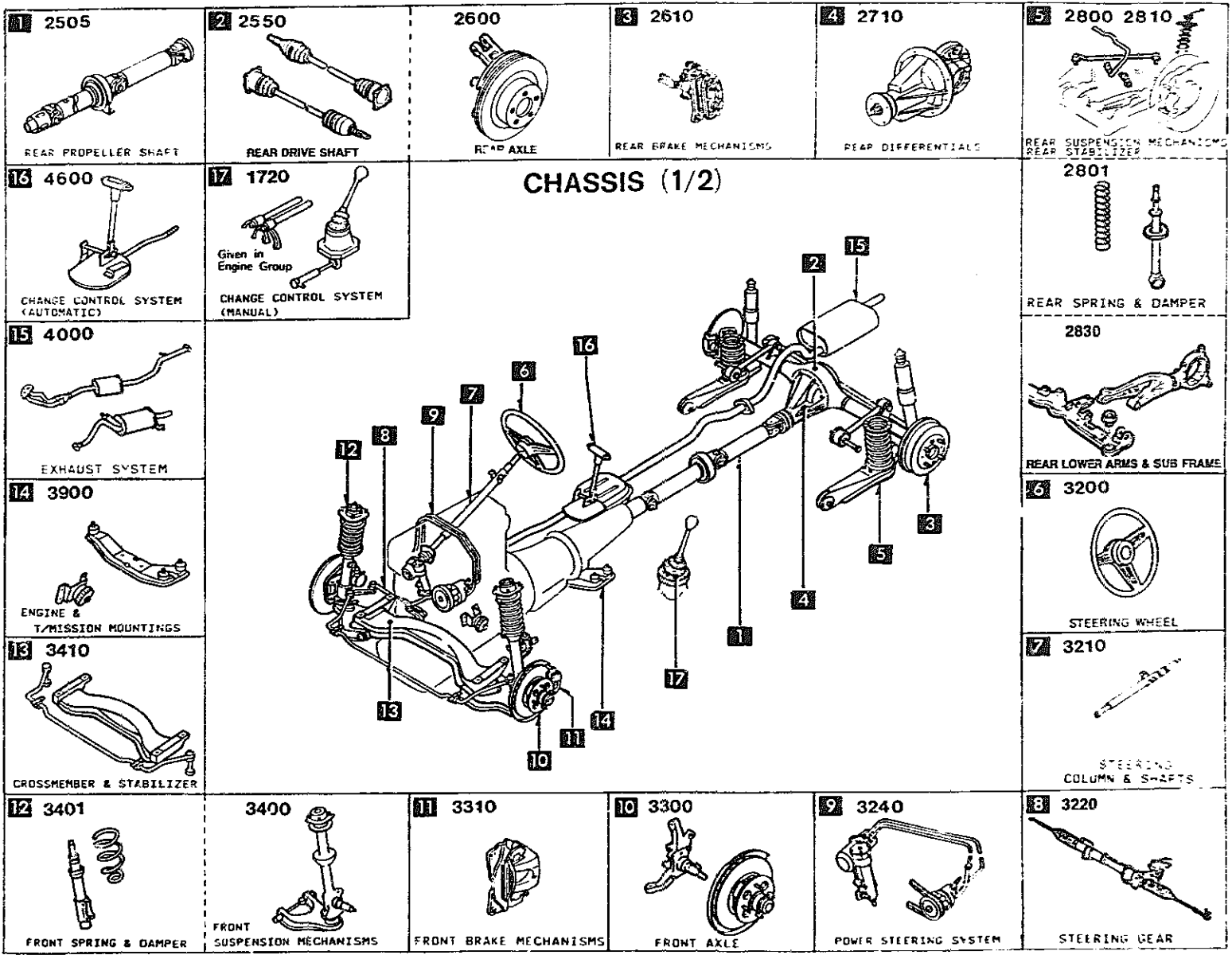


As this illustration is prepared to be applicable to all models, some parts are different in specifications from the parts listed in this parts Catalog.

LD-N
3-CO
3-FC
3-HC
3-JC
3-LC
3-MC

3-EC
3-IC
3-JC
3-NC
3-GC
3-KC
3-MC
3-NC
3-CC
3-DC
3-GC
3-JC
3-LC
3-CC
3-FC
3-KC
3-LC
3-EC
3-KC
3-LC
3-EC
3-KC
3-LC
3-MC
3-DC
3-HC

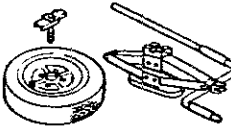


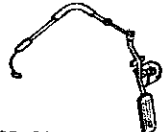
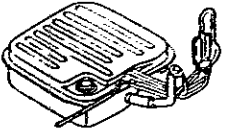
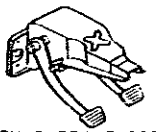
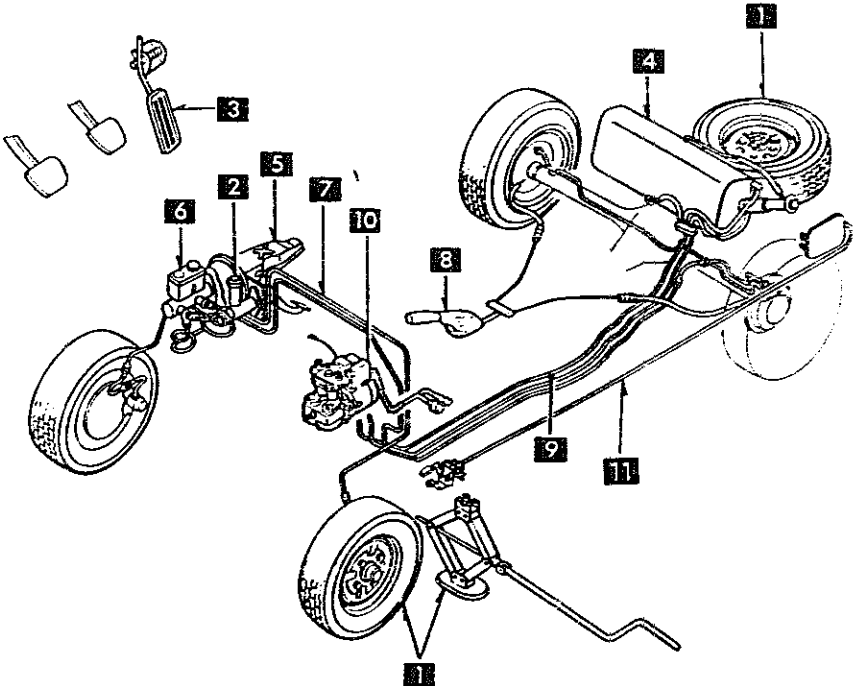
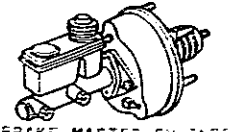


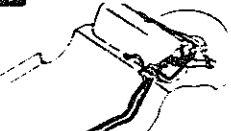
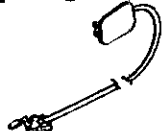
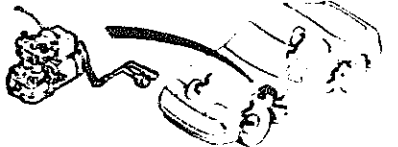
PICTORIAL INDEX




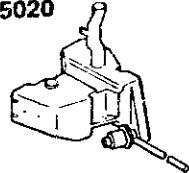

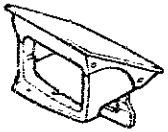

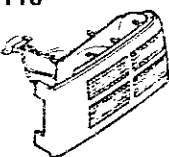
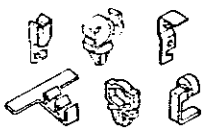
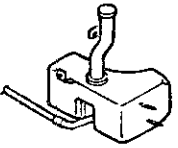
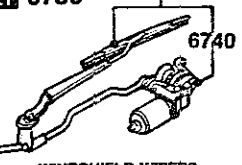
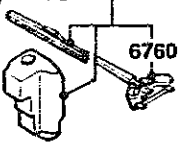
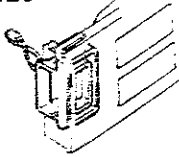

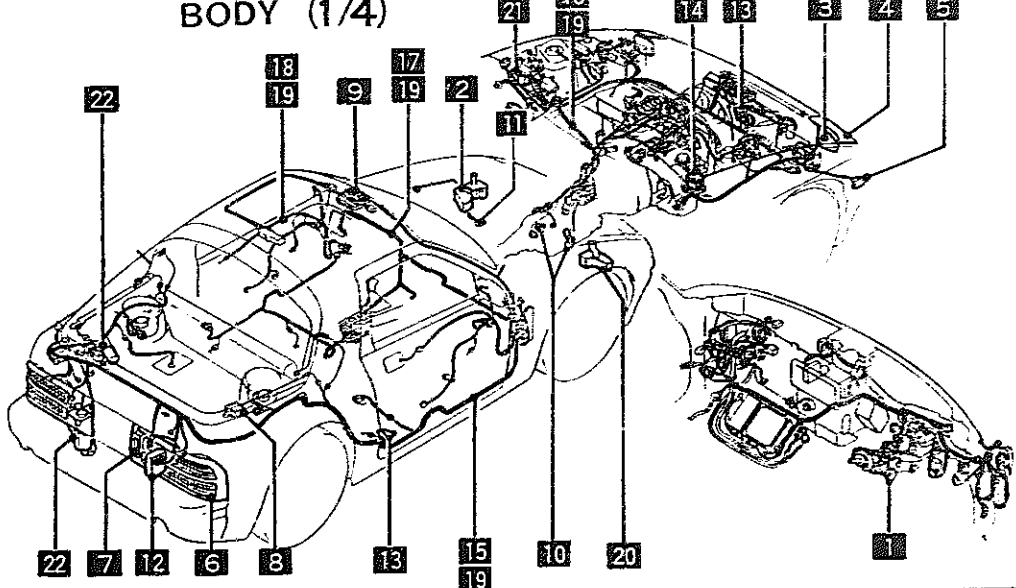
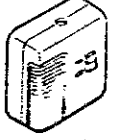
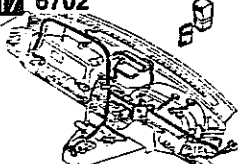
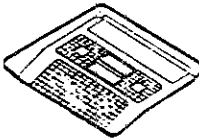



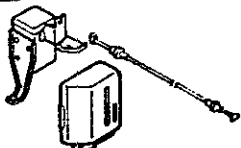
As this illustration is prepared to be applicable to all models, some parts are different in specifications from the parts listed in this parts Catalog

- LD.N
- 4-CO
- 4-EO
- 4-FO
- 4-GO
- 4-IO
- 4-JO
- 4-MO
- 4-NO
- 4-CO
- 4-GO
- 4-MO
- 4-GO
- 4-HO
- 4-IO
- 4-LO
- 4-MO
- 4-DO
- 4-EO
- 4-FO
- 4-KO
- 4-MO
- 4-DO
- 4-GO
- 4-HO
- 4-NO
- 4-DO

PICTORIAL INDEX

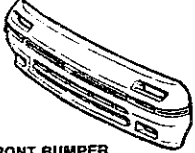
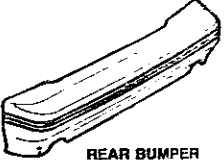


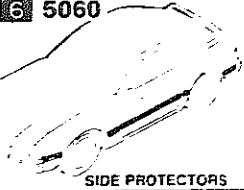
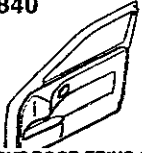
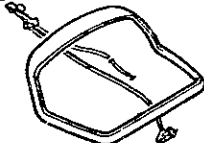

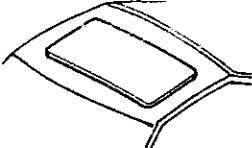


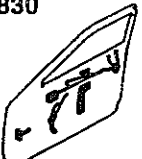
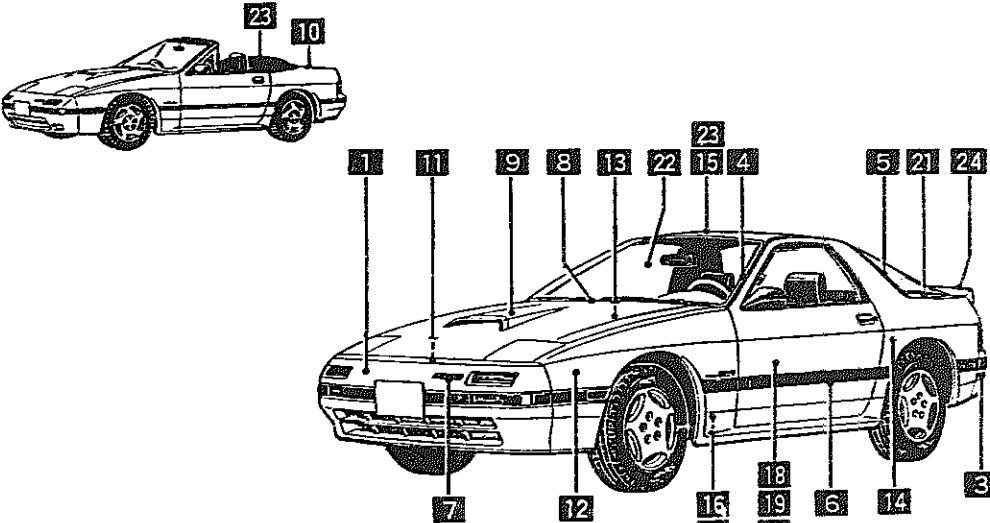
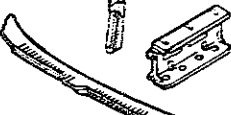
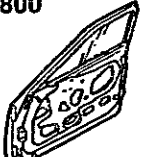

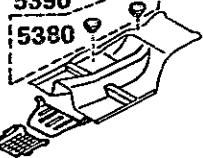

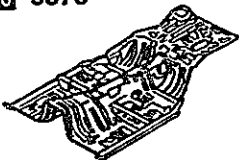
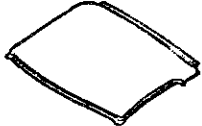
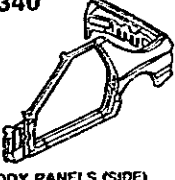
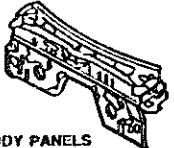
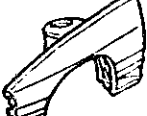
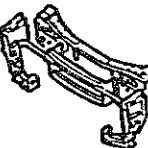
<p>1 3700</p>  <p>TIRES & JACK</p>	<p>2 4140</p>  <p>CLUTCH RELEASE & MASTER CYLINDERS (MANUAL TRANSMISSION)</p>	<p>4145</p>  <p>CLUTCH PIPINGS (MANUAL TRANSMISSION)</p>	<p>3 4160</p>  <p>ACCELERATOR CONTROL SYSTEM</p>	<p>4 4200</p>  <p>FUEL TANK</p>	<p>5 4300</p>  <p>CLUTCH & BRAKE PEDALS (MANUAL TRANSMISSION)</p>
<p>CHASSIS (2/2)</p>  <p>As this illustration is prepared to be applicable to all models, some parts are different in specifications from the parts listed in this parts Catalog.</p>					
<p>6 4340</p>  <p>BRAKE MASTER CYLINDER & POWER BRAKE</p> <p>7 4360</p>  <p>BRAKE PIPINGS</p> <p>8 4400</p>  <p>PARKING BRAKE SYSTEM</p> <p>9 4500</p>  <p>FUEL PIPINGS</p> <p>11 4210</p>  <p>FUEL LID OPENER</p> <p>10 4370</p>  <p>ANTILOCK BRAKE SYSTEM</p>					

PICTORIAL INDEX

<p>1 0900</p>  <p>KEY SETS</p>	<p>2 5020</p>  <p>HEAD LAMP CLEANER</p>	<p>3 5100</p>  <p>HEAD LAMPS</p>	<p>4 5103</p>  <p>HEAD LAMP RETRACTORS</p>	<p>5 5105</p>  <p>FRONT COMBINATION LAMPS</p>	<p>6 5110</p>  <p>REAR COMBINATION LAMPS</p>
<p>19 6704</p>  <p>WIRING HARNESS CLAMPS</p>	<p>20 6720</p>  <p>WINDSHIELD WASHER</p>	<p>21 6730</p>  <p>WINDSHIELD WIPERS</p>	<p>22 6750</p>  <p>WINDOW WIPER & WASHER (REAR)</p>	<p>7 5120</p>  <p>LICENSE LAMPS</p>	
<p>18 6703</p>  <p>WIRING HARNESSSES (DOOR, FLOOR/CEILING)</p>	<p>BODY (1/4)</p> 				<p>8 5125</p>  <p>INTERIOR LAMPS</p>
<p>17 6702</p>  <p>WIRING HARNESSSES (DASHBOARD)</p>					<p>9 5130</p>  <p>OVERHEAD CONSOLE</p>
<p>16 6701</p>  <p>WIRING HARNESSSES (ENGINE & TRANSMISSION)</p>					<p>10 6600</p>  <p>SWITCHES & RELAYS (ENGINE)</p>
<p>15 6700</p>  <p>WIRING HARNESSSES (FRONT & REAR)</p>					<p>14 6640</p>  <p>AUTO CRUISE CONTROL SYSTEM</p>

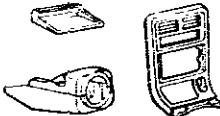
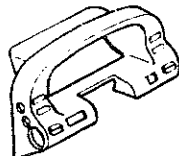
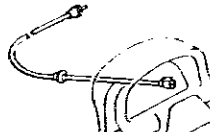
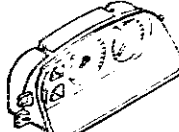


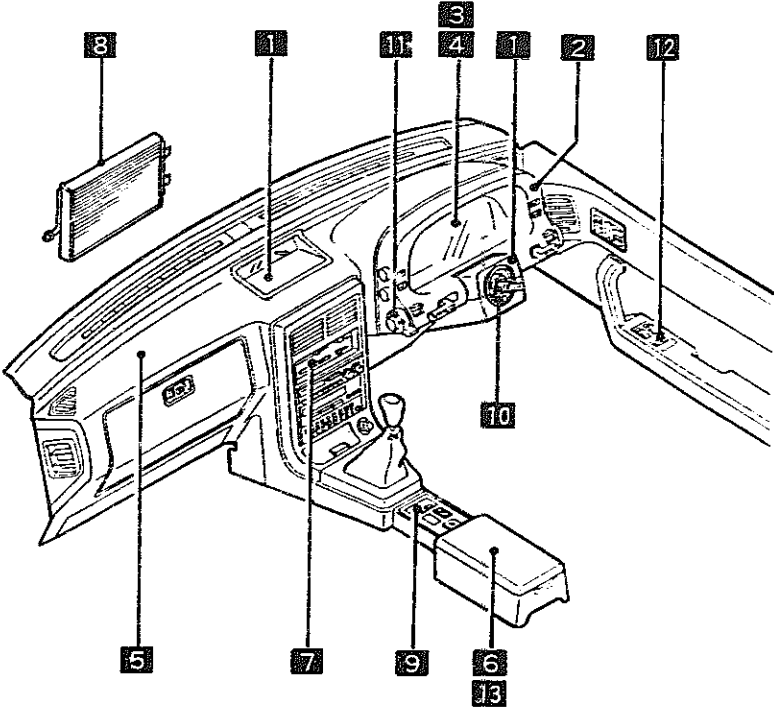
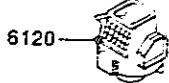

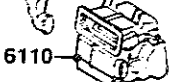

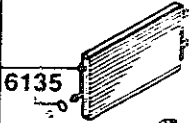
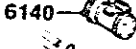


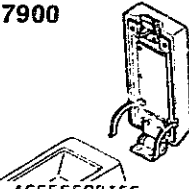
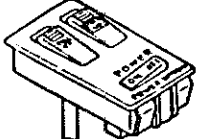
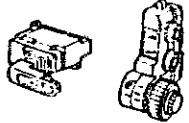
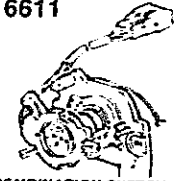

As this illustration is prepared to be applicable to all models, some parts are different in specifications from the parts listed in this parts Catalog.

PICTORIAL INDEX

<p>1 5000</p>  <p>FRONT BUMPER</p>	<p>2</p>	<p>3 5010</p>  <p>REAR BUMPER</p>	<p>4 5030</p>  <p>WINDOW MOULDINGS</p>	<p>5 5040</p>  <p>BODY MOULDINGS</p>	<p>6 5060</p>  <p>SIDE PROTECTORS</p>
<p>20 5840</p>  <p>FRONT DOOR TRIMS & RELATED PARTS</p>	<p>21 6230</p>  <p>LIFT GATE MECHANISMS</p>	<p>22 6300</p>  <p>WINDOW GLASSES</p>	<p>23 6330</p>  <p>SUNROOF</p>	<p>24 7800</p>  <p>SPOILERS & RELATED PARTS</p>	<p>7 5170</p>  <p>RX-7 MAZDA</p> <p>ORNAMENTS</p>
<p>19 5830</p>  <p>FRONT DOOR MECHANISMS</p>	<p>BODY (2/4)</p> 				<p>8 5180</p>  <p>COWL & EXTRACTOR GRILLES</p>
<p>18 5800</p>  <p>FRONT DOORS</p>					<p>9 5230</p>  <p>BONNET</p>
<p>17 5390</p> <p>5380</p>  <p>FLOOR ATTACHMENTS</p>					<p>10 5260</p>  <p>TRUNK LID</p>
<p>16 5370</p>  <p>BODY PANELS (FLOOR)</p>	<p>15 5360</p>  <p>BODY PANELS (ROOF)</p>	<p>14 5340</p>  <p>BODY PANELS (SIDE)</p>	<p>13 5330</p>  <p>BODY PANELS (DASH & COWL PANEL)</p>	<p>12 5320</p>  <p>BODY PANELS (FENDER & WHEEL APRON)</p>	<p>11 5310</p>  <p>BODY PANELS (FRONT)</p>



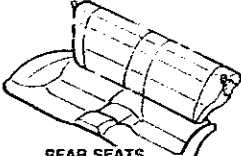
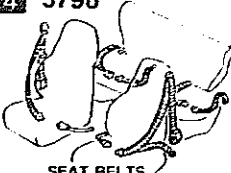
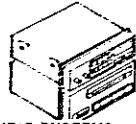
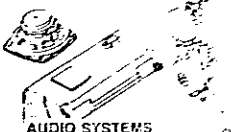
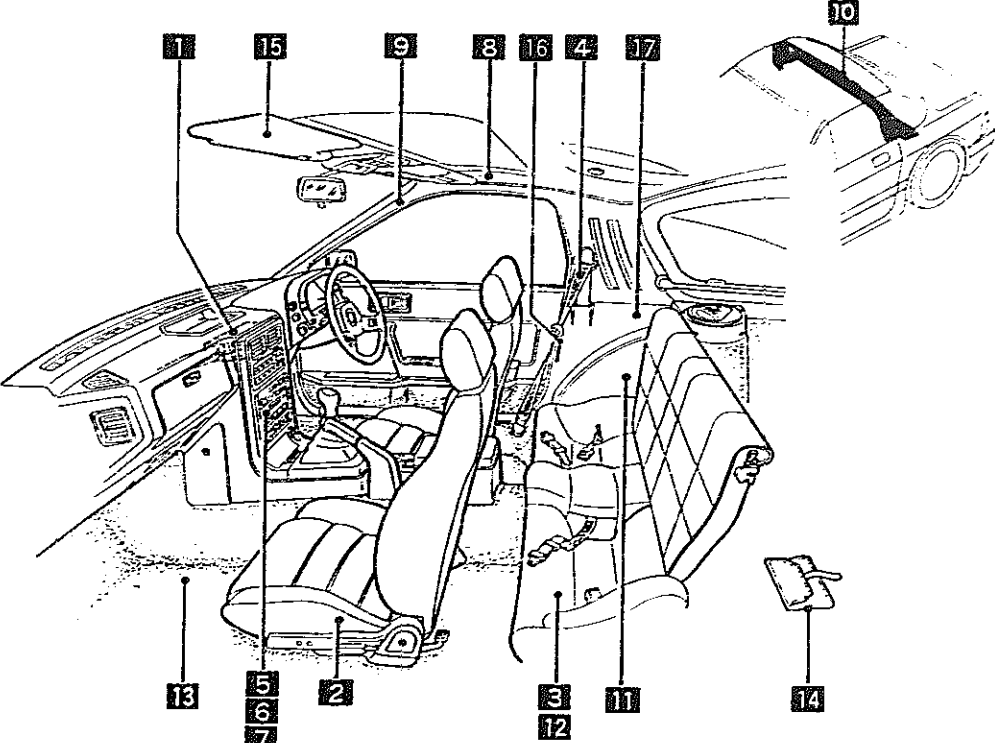
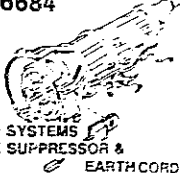

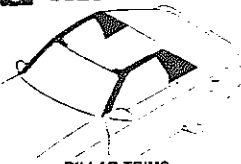


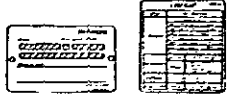


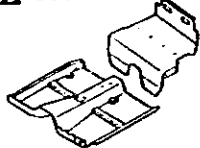
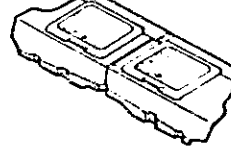

As this illustration is prepared, it is applicable to all models, some parts are different in specifications from the parts listed in this parts Catalog

PICTORIAL INDEX

<p>1 5500</p>  <p>DASHBOARD EQUIPMENTS</p>	<p>2 5520</p>  <p>METER HOOD</p>	<p>3 5530</p>  <p>SPEEDOMETER CABLE</p>	<p>4 5540</p>  <p>METER COMPONENTS</p>	<p>5 5560</p>  <p>DASHBOARD & RELATED PARTS</p>	<p>6 5570</p>  <p>CONSOLE</p>	
<p>BODY (3/4)</p> 						<p>7</p>  <p>6120</p>  <p>6100</p>  <p>6110</p>  <p>6115</p> <p>HEATER</p>
						<p>8 6130</p>  <p>6135</p>  <p>6140</p>  <p>6135</p>  <p>6150</p> <p>AIR CONDITIONER</p>
<p>13 7900</p>  <p>ACCESSORIES</p>		<p>12 6615</p>  <p>POWER WINDOW SWITCHES</p>	<p>11 6612</p>  <p>CLUSTER SWITCH</p>	<p>10 6611</p>  <p>COMBINATION SWITCH</p>	<p>9 6610</p>  <p>DASHBOARD SWITCHES</p>	

As this illustration is prepared to be applicable to all models, some parts are different in specifications from the parts listed in this parts Catalog.

PICTORIAL INDEX

<p>1 5580</p>  <p>VENTILATOR</p>	<p>2 5700</p>  <p>FRONT SEATS</p>	<p>3 5750</p>  <p>REAR SEATS</p>	<p>4 5790</p>  <p>SEAT BELTS</p>	<p>5 6680</p>  <p>AUDIO SYSTEMS (RADIO & TAPE DECK)</p>	<p>6 6682</p>  <p>AUDIO SYSTEMS (ANTENNA & SPEAKER)</p>		
<p>BODY (4/4)</p> 						<p>7 6684</p>  <p>AUDIO SYSTEMS (NOISE SUPPRESSOR & EARTH CORD)</p>	
						<p>8 6800</p>  <p>CEILING TRIMS</p>	
						<p>9 6820</p>  <p>PILLAR TRIMS</p>	
<p>17 7250</p>  <p>QUARTER WINDOW & TRIMS</p>							<p>10 6810</p>  <p>ROLLERBAR</p>
<p>16 6930</p>  <p>CAUTION PLATES & LABELS</p>	<p>15 6900</p>  <p>VISORS, ASSIST HANDLES & MIRRORS</p>	<p>14 6870</p>  <p>SERVICE TOOLS</p>	<p>13 6860</p>  <p>FLOOR MATS & PADS</p>	<p>12 6845</p>  <p>STORAGE BOX</p>	<p>11 6840</p>  <p>TRIMS & SCUFF PLATES</p>		

As this illustration is prepared to be applicable to all models, some parts are different in specifications from the parts listed in this parts Catalog.

SECTION NAME INDEX (ENGINE)

LO.NO	SEC.NO	SECTION NAME	LO.NO	SEC.NO	SECTION NAME	LO.NO	SEC.NO	SECTION NAME
1-C03	1000	SHORT ENGINE & GASKET SETS (W/O TURBO)	1-G11	1840	STARTER			
1-D03	1000 A	SHORT ENGINE & GASKET SETS (TURBO)	1-J11	1850	BATTERY			
1-E03	1030	ROTOR HOUSINGS (W/O TURBO)	1-K11	1910	TORQUE CONVERTER, OIL PUMP & PIPINGS (AUTOMATIC)			
1-G03	1030 A	ROTOR HOUSINGS (TURBO)	1-N11	1920	TRANSMISSION CASE & MAIN CONTROL SYSTEM (AUTOMATIC)			
1-J03	1040	OIL PAN, FRONT & REAR HOUSING (W/O TURBO)	1-I12	1925	CONTROL VALVE (AUTOMATIC)			
1-M03	1040 A	OIL PAN, FRONT & REAR HOUSING (TURBO)	1-D13	1930	CLUTCHES & PLANETARY GEARS (AUTOMATIC)			
1-D04	1100	ECCENTRIC SHAFT & FLYWHEEL	1-L13	1940	GOVERNOR, LOW & REVERSE PISTON (AUTOMATIC)			
1-G04	1110	ROTORS & RELATED PARTS	1-C14	1950	MANUAL LINKAGE SYSTEM (AUTOMATIC)			
1-I04	1300	INLET MANIFOLD	1-E14	1960	GASKET & SEAL KIT (AUTOMATIC)			
1-M04	1310	EXHAUST MANIFOLD						
1-N04	1311	INTER COOLER (TURBO)						
1-C05	1312	TURBO CHARGER (TURBO)						
1-F05	1320	FUEL SYSTEM						
1-H05	1325	FUEL DISTRIBUTOR						
1-I05	1330	AIR CLEANER						
1-M05	1350	STARTING ASSIST SYSTEM						
1-N05	1364	THROTTLE BODY						
1-F06	1371	AIR PUMP & AIR CONTROL VALVE						
1-I06	1380	EMISSION CONTROL SYSTEM						
1-D07	1399	CAP & HOSE CLIP (INLET & EXHAUST SIDE)						
1-F07	1400	OIL PUMP & FILTER (W/O TURBO)						
1-I07	1400 A	OIL PUMP & FILTER (TURBO)						
1-M07	1500	COOLING SYSTEM						
1-F08	1580	BRACKET, PULLEY & BELT						
1-C09	1600	CLUTCH DISC & COVER (MANUAL)						
1-F09	1700	TRANSMISSION CASE (MANUAL)						
1-J09	1710	TRANSMISSION GEARS (MANUAL)						
1-H10	1720	CHANGE CONTROL SYSTEM (MANUAL)						
1-M10	1800	ENGINE ELECTRICAL SYSTEM						
1-E11	1830	ALTERNATOR						

CATLOG-NO= AUFA02-06

DATE. 1992-05

SECTION NAME INDEX (CHASSIS)

LO.NO	SEC.NO	SECTION NAME	LO.NO	SEC.NO	SECTION NAME	LO.NO	SEC.NO	SECTION NAME
2-C03	2505	REAR PROPELLER SHAFT	2-M08	4140	CLUTCH RELEASE & MASTER CYLINDERS (MANUAL TRANSMISSION)			
2-D03	2550	REAR DRIVE SHAFT	2-C09	4145	CLUTCH PIPINGS (MANUAL TRANSMISSION)			
2-E03	2600	REAR AXLE	2-D09	4160	ACCELERATOR CONTROL SYSTEM			
2-G03	2610	REAR BRAKE MECHANISMS	2-E09	4200	FUEL TANK			
2-K03	2710	REAR DIFFERENTIALS (NORMAL DIFF.)	2-H09	4300	CLUTCH & BRAKE PEDALS (MANUAL TRANSMISSION)			
2-C04	2710 A	REAR DIFFERENTIALS (LIMITED SLIP DIFF.)	2-K09	4300A	BRAKE PEDALS (AUTOMATIC TRANSMISSION)			
2-H04	2800	REAR SUSPENSION MECHANISMS	2-M09	4340	BRAKE MASTER CYLINDER & POWER BRAKE (W/O TURBO)			
2-J04	2801	REAR SPRING & DAMPER	2-C10	4340 A	BRAKE MASTER CYLINDER & POWER BRAKE (TURBO)			
2-K04	2810	REAR STABILIZER	2-E10	4360	BRAKE PIPINGS (W/O TURBO)			
2-L04	2830	REAR LOWER ARMS & SUB FRAME	2-G10	4360 A	BRAKE PIPINGS (TURBO)			
2-N04	3200	STEERING WHEEL (W/O AIR BAG)	2-J10	4370	ANTILOCK BRAKE SYSTEM (TURBO)			
2-E05	3200 A	STEERING WHEEL (W/ AIR BAG)	2-N10	4400	PARKING BRAKE SYSTEM			
2-G05	3210	STEERING COLUMN & SHAFTS	2-D11	4500	FUEL PIPINGS			
2-I05	3220 A	STEERING GEAR (W/ POWER STEERING:ENGINE REVOLUTION PER MINUTE SENSOR) (GTU, '90-GX L, '90-CONV-W/O AIR BAG)	2-H11	4600	CHANGE CONTROL SYSTEM (AT)			
2-L05	3220 B	STEERING GEAR (W/ POWER STEERING:VELOCITY SENSOR) (GTUS, '90-GXL, TURBO, '89-CONV, '90-CONV-W/AIR BAG)						
2-C06	3240	POWER STEERING SYSTEM						
2-F06	3300	FRONT AXLE						
2-H06	3310	FRONT BRAKE MECHANISMS						
2-K06	3400	FRONT SUSPENSION MECHANISMS						
2-M06	3401	FRONT SPRING & DAMPER						
2-N06	3410	CROSSMEMBER & STABILIZER						
2-C07	3700	TIRES & JACK						
2-C08	3900	ENGINE & T/MISSION MOUNTINGS (MT)						
2-D08	3900A	ENGINE & T/MISSION MOUNTINGS (AT)						
2-E08	4000	EXHAUST SYSTEM (W/O TURBO)						
2-I08	4000 A	EXHAUST SYSTEM (TURBO)						

CATLOG-NO= AUFA02-06

DATE. 1992-03

SECTION NAME INDEX (BODY)1/2

LO.NO	SEC.NO	SECTION NAME	LO.NO	SEC.NO	SECTION NAME	LO.NO	SEC.NO	SECTION NAME
3-C03	0900	KEY SETS	3-J09	5390	FLOOR ATTACHMENTS			
3-F03	5000	FRONT BUMPER	3-C10	5500	DASHBOARD EQUIPMENTS			
3-H03	5010	REAR BUMPER	3-F10	5520	METER HOOD			
3-J03	5020	HEAD LAMP CLEANER	3-G10	5530	SPEEDOMETER CABLE			
3-L03	5030	WINDOW MOULDINGS	3-H10	5540	METER COMPONENTS			
3-M03	5040	BODY MOULDINGS (COUPE)	3-J10	5560	DASHBOARD & RELATED PARTS			
3-E04	5060	SIDE PROTECTORS	3-E11	5570	CONSOLE			
3-I04	5100	HEAD LAMPS	3-H11	5580	VENTILATOR			
3-J04	5103	HEAD LAMP RETRACTORS	3-J11	5700	FRONT SEATS (COUPE)			
3-N04	5105	FRONT COMBINATION LAMPS	3-E13	5700A	FRONT SEATS (CONVERTIBLE)			
3-G05	5110	REAR COMBINATION LAMPS	3-K13	5750	REAR SEATS (COUPE)			
3-K05	5120	LICENSE LAMPS	3-M13	5790	SEAT BELTS (COUPE)			
3-M05	5125	INTERIOR LAMPS	3-C14	5790A	SEAT BELTS (CONVERTIBLE)			
3-N05	5130	OVERHEAD CONSOLE	3-D14	5800	FRONT DOORS (COUPE)			
3-C06	5170	ORNAMENTS	3-G14	5800A	FRONT DOORS (CONVERTIBLE)			
3-D06	5180	COWL & EXTRACTOR GRILLES	3-K14	5830	FRONT DOOR MECHANISMS (COUPE)			
3-G06	5230	BONNET	3-F15	5830A	FRONT DOOR MECHANISMS (CONVERTIBLE)			
3-J06	5260	TRUNK LID (CONVERTIBLE)	3-J15	5840	FRONT DOOR TRIMS & RELATED PARTS (COUPE)			
3-L06	5310	BODY PANELS (FRONT) (COUPE)	3-H16	5840A	FRONT DOOR TRIMS & RELATED PARTS (CONVERTIBLE)			
3-C07	5310 A	BODY PANELS (FRONT) (CONVERTIBLE)						
3-F07	5320	BODY PANELS (FENDER & WHEEL ARCH)						
3-K07	5330	BODY PANELS (DASH & COWL PANEL)						
3-L07	5340	BODY PANELS (SIDE) (COUPE)						
3-E08	5340A	BODY PANELS (SIDE) (CONVERTIBLE)						
3-K08	5360	BODY PANELS (ROOF) (W/O SUN ROOF)						
3-L08	5360 A	BODY PANELS (ROOF) (SUN ROOF)						
3-M08	5370	BODY PANELS (FLOOR) (COUPE)						
3-D09	5370 A	BODY PANELS (FLOOR) (CONVERTIBLE)						
3-H09	5380	FLOOR ATTACHMENTS (HOLE COVERS)						

SECTION NAME INDEX (BODY)2/2

LO.NO	SEC.NO	SECTION NAME	LO.NO	SEC.NO	SECTION NAME	LO.NO	SEC.NO	SECTION NAME
4-C03	6100	HEATER	4-E08	6703	WIRING HARNESSSES(DOOR,FLOOR/CEILING)			
4-E03	6110	HEATER UNIT COMPONENTS	4-G08	6704	WIRING HARNESS CLAMPS			
4-F03	6115	HEATER CONTROLS COMPONENTS	4-J08	6720	WINDSHIELD WASHER (1.5L & 2.5L)			
4-G03	6120	HEATER BLOWER COMPONENTS	4-L08	6720 A	WINDSHIELD WASHER (5.7L)			
4-I03	6130	AIR CONDITIONER	4-N08	6730	WINDSHIELD WIPERS			
4-J03	6230	LIFT GATE MECHANISMS (COUPE)	4-C09	6740	WIPER MOTOR COMPONENTS(FRONT)			
4-M03	6300	WINDOW GLASSES (COUPE)	4-D09	6750	WINDOW WIPER & WASHER (REAR)			
4-N03	6300A	WINDOW GLASSES (CONVERTIBLE)	4-G09	6760	WINDOW WIPER MOTOR COMPONENTS (REAR)			
4-C04	6330	SUNROOF (COUPE)	4-H09	6800	CEILING TRIMS (COUPE)			
4-G04	6330A	SUNROOF (CONVERTIBLE)	4-J09	6800A	CEILING TRIMS (CONVERTIBLE)			
4-M04	6600	SWITCHES & RELAYS (ENGINE)	4-K09	6810	ROLLEBAR (CONVERTIBLE)			
4-G05	6610	DASHBOARD SWITCHES	4-N09	6820	PILLAR TRIMS (COUPE)			
4-H05	6611	COMBINATION SWITCH	4-F10	6820A	PILLAR TRIMS (CONVERTIBLE)			
4-I05	6612	CLUSTER SWITCH	4-G10	6840	TRIMS & SCUFF PLATES (COUPE)			
4-L05	6615	POWER WINDOW SWITCHES	4-L10	6840A	TRIMS & SCUFF PLATES (CONVERTIBLE)			
4-M05	6630	RELAYS & UNIT (BODY)	4-N10	6845	STRAGE BOX (COUPE)			
4-D06	6635	DOOR SWITCH & HORNS			(GXL,TURBO)			
4-E06	6640	AUTO CRUISE CONTROL SYSTEM	4-D11	6860	FLOOR MATS & PADS (COUPE)			
4-F06	6680	AUDIO SYSTEMS (RADIO & TAPE DECK) (COUPE)	4-K11	6860A	FLOOR MATS & PADS (CONVERTIBLE)			
4-K06	6680 A	AUDIO SYSTEMS (RADIO & TAPE DECK) (CONVERTIBLE)	4-C12	6870	SERVICE TOOLS			
4-M06	6682	AUDIO SYSTEMS (ANTENNA & SPEAKER) (COUPE)	4-D12	6900	VISORS,ASSIST HANDLES & MIRRORS (COUPE)			
4-D07	6682 A	AUDIO SYSTEMS (ANTENNA & SPEAKER) (CONVERTIBLE)	4-H12	6900A	VISORS,ASSIST HANDLES & MIRRORS (CONVERTIBLE)			
4-G07	6684	AUDIO SYSTEMS(NOISE SUPPRESSOR & EARTH CORD)	4-K12	6930	CAUTION PLATES & LABELS			
4-H07	6700	WIRING HARNESSSES(FRONT & REAR)	4-N12	7250	QUARTER WINDOW & TRIMS			
4-N07	6701	WIRING HARNESSSES(ENGINE & T/MISSION)	4-E13	7800	SPOILERS & RELATED PARTS			
4-D08	6702	WIRING HARNESSSES(DASHBOARD)	4-C14	7900	ACCESSORIES			

CATLOG-NO= AUFA02-06

DATE. 1992-05

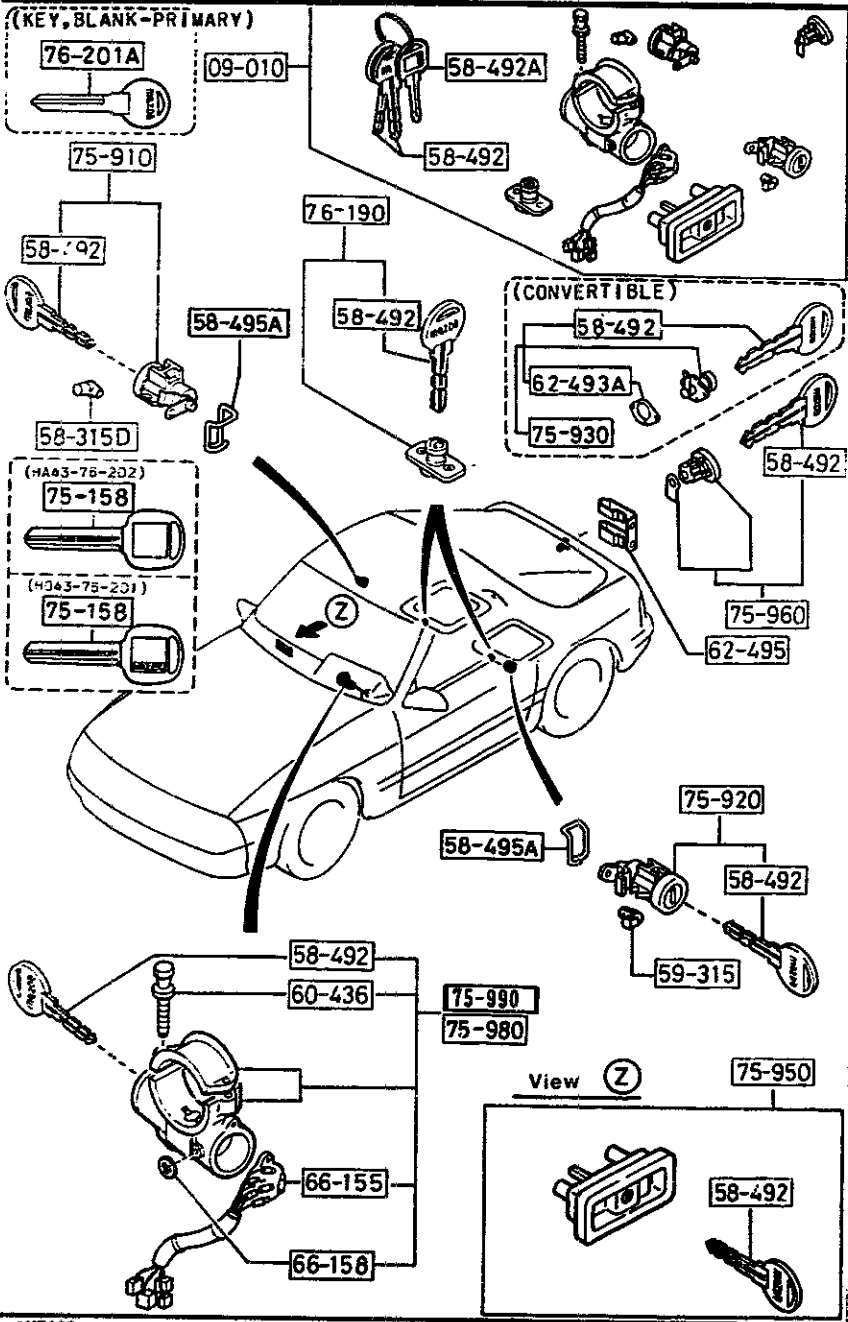
SECTION NAME INDEX (BODY) 1/2

LO.NO	SEC.NO	SECTION NAME	LO.NO	SEC.NO	SECTION NAME	LO.NO	SEC.NO	SECTION NAME
3-C03	0900	KEY SETS	3-J09	5390	FLOOR ATTACHMENTS			
3-F03	5000	FRONT BUMPER	3-C10	5500	DASHBOARD EQUIPMENTS			
3-H03	5010	REAR BUMPER	3-F10	5520	METER HOOD			
3-J03	5020	HEAD LAMP CLEANER	3-G10	5530	SPEEDOMETER CABLE			
3-L03	5030	WINDOW MOULDINGS	3-H10	5540	METER COMPONENTS			
3-M03	5040	BODY MOULDINGS (COUPE)	3-J10	5560	DASHBOARD & RELATED PARTS			
3-E04	5060	SIDE PROTECTORS	3-K10	5570	CONSOLE			
3-I04	5100	HEAD LAMPS	3-H11	5580	VENTILATOR			
3-J04	5103	HEAD LAMP RETRACTORS	3-J11	5700	FRONT SEATS (COUPE)			
3-N04	5105	FRONT COMBINATION LAMPS	3-E13	5700A	FRONT SEATS (CONVERTIBLE)			
3-G05	5110	REAR COMBINATION LAMPS	3-K13	5750	REAR SEATS (COUPE)			
3-K05	5120	LICENSE LAMPS	3-M13	5790	SEAT BELTS (COUPE)			
3-M05	5125	INTERIOR LAMPS	3-C14	5790A	SEAT BELTS (CONVERTIBLE)			
3-N05	5130	OVERHEAD CONSOLE	3-D14	5800	FRONT DOORS (COUPE)			
3-C06	5170	ORNAMENTS	3-G14	5800A	FRONT DOORS (CONVERTIBLE)			
3-D06	5180	COWL & EXTRACTOR GRILLES	3-K14	5830	FRONT DOOR MECHANISMS (COUPE)			
3-G06	5230	BONNET	3-F15	5830A	FRONT DOOR MECHANISMS (CONVERTIBLE)			
3-J06	5260	TRUNK LID (CONVERTIBLE)	3-J15	5840	FRONT DOOR TRIMS & RELATED PARTS (COUPE)			
3-L06	5310	BODY PANELS (FRONT) (COUPE)	3-H16	5840A	FRONT DOOR TRIMS & RELATED PARTS (CONVERTIBLE)			
3-C07	5310 A	BODY PANELS (FRONT) (CONVERTIBLE)						
3-F07	5320	BODY PANELS (FENDER & WHEEL ARCH)						
3-K07	5330	BODY PANELS (DASH & COWL PANEL)						
3-L07	5340	BODY PANELS (SIDE) (COUPE)						
3-E08	5340A	BODY PANELS (SIDE) (CONVERTIBLE)						
3-K08	5360	BODY PANELS (ROOF) (W/O SUN ROOF)						
3-L08	5360 A	BODY PANELS (ROOF) (SUN ROOF)						
3-M08	5370	BODY PANELS (FLOOR) (COUPE)						
3-D09	5370 A	BODY PANELS (FLOOR) (CONVERTIBLE)						
3-H09	5380	FLOOR ATTACHMENTS (HOLE COVERS)						

CATLOG-NO= AUFA02-06

DATE. 1992-05

0900 KEY SETS



AUFA02

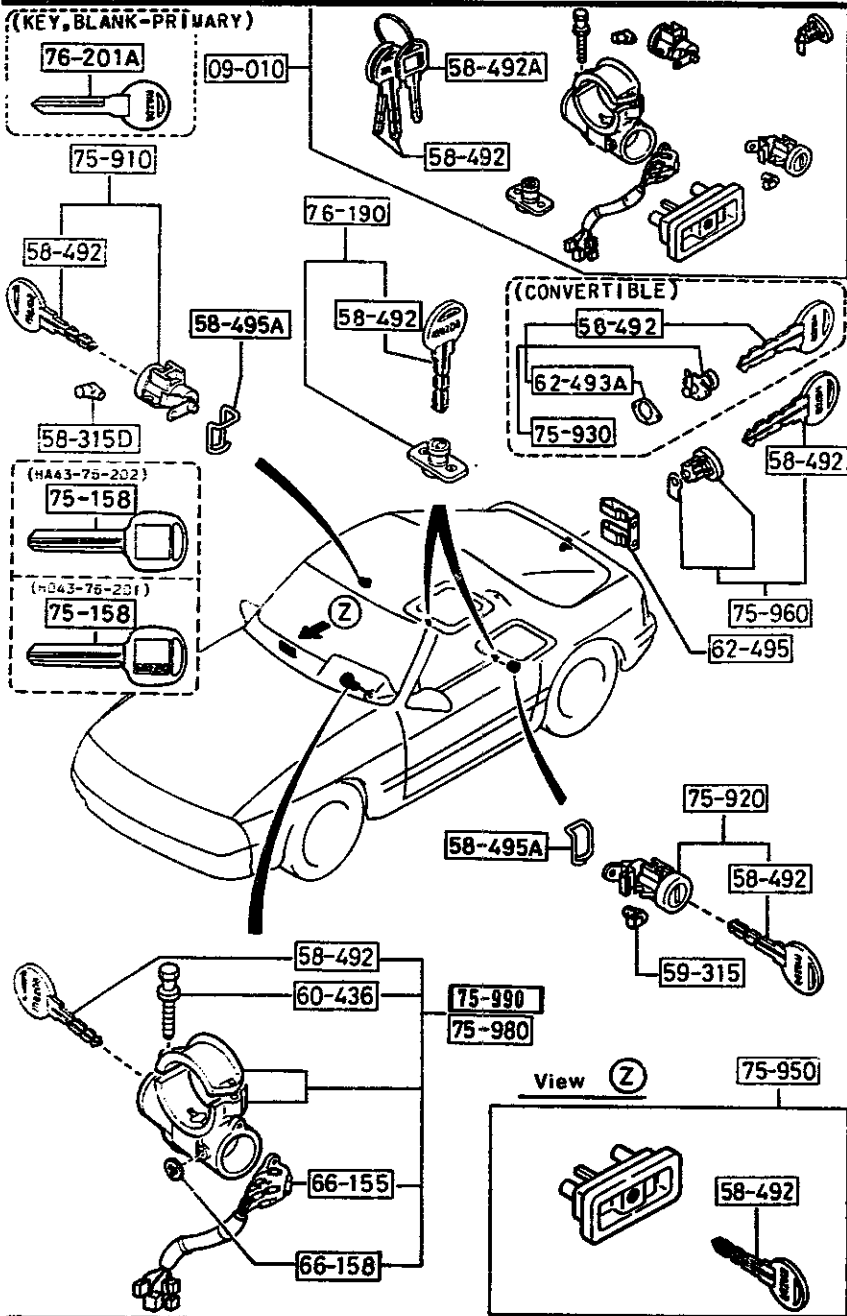
0900 -1 KEY SETS

PART NO.	QTY	MODEL/RESTRICTION	MODEL/RESTRICTION	MODEL/PECTION	FROM-TO
09-010		KEY SET			
FC01-09-010	1	GXL, (W/O STORAGE BOX) (CPE)>(MT)			
02		F08 FE1 BLACK			
19		F00 RED			
48		FD9 BLUE			
FC02-09-010	1	GTU, GTUS, GXL, TURB D. (W/STORAGE BOX) (CPE)>(MT)			
02		F08 FE1 BLACK			
19		F00 RED			
48		FD9 BLUE			
FC07-09-010	1	GTU, GTUS, GXL, TURB D. (W/STORAGE BOX) (CPE)>(AT)			
02		F08 FE1 BLACK			
19		F00 RED			
48		FD9 BLUE			
FC24-09-010	1	GXL, (W/O STORAGE BOX) (CPE)>(AT)			
02		F08 FE1 BLACK			
19		F00 RED			
48		FD9 BLUE			
FC33-09-010	1	((CONVERTIBLE)>(MT)) (W/O AIR BAG)			
02		F08 FE1 BLACK			
48		FD9 BLUE			
FC47-09-010	1	((CONVERTIBLE)>(AT)) (W/O AIR BAG)			
02		F08 FE1 BLACK			
48		FD9 BLUE			
FC66-09-010	1	((CONVERTIBLE)>(MT)) (W/AIR BAG)			
02		F08 FE1 BLACK			
48		FD9 BLUE			
FC67-09-010	1	((CONVERTIBLE)>(AT)) (W/AIR BAG)			

CAT. AUFA02-86

1992-05

0900 KEY SETS



PART NO.	QTY	MODEL/RESTRICTION	MODEL/RESTRICTION	MODEL/RESTRICTION	FROM-TO
CONT'D					
02		FD8 FE1 BLACK			
48		FD9 BLUE			
58-315D		CLIP (R)			
G030-58-315	1				
58-492		KEY, PRIMARY			
H043-58-492	2	KEY NO. IS REQUIRED			
58-492A		KEY, SECONDARY			
H043-58-493	2	KEY NO. IS REQUIRED			
58-495A		RETAINER, LOCK CYL.			
FB01-58-495	2				
59-315		CLIP			
G030-59-315	1				
60-436		BOLT, SET			
H043-66-154	2				
62-493A		GASKET, KEY CYLINDER			
FB67-56-904	1	(CONVERTIBLE)			
62-495		RETAINER, LOCK CYL.			
FB01-62-495	1	(CPE)			
66-155		SWITCH, IGNITION			
FC01-66-151	1	(AT)			
		((MT)) (W/AIR BAG)			
FC02-66-151	1	((MT)) (W/D AIR BAG)			
66-158		NUT, SPEED-STEERING LOCK			
BC46-66-158	2				
75-158		KEY, BLANK			
HA43-76-202	1				-9801
H043-76-201	1				9801-
9801 FC3MM-804224					

AUFA02

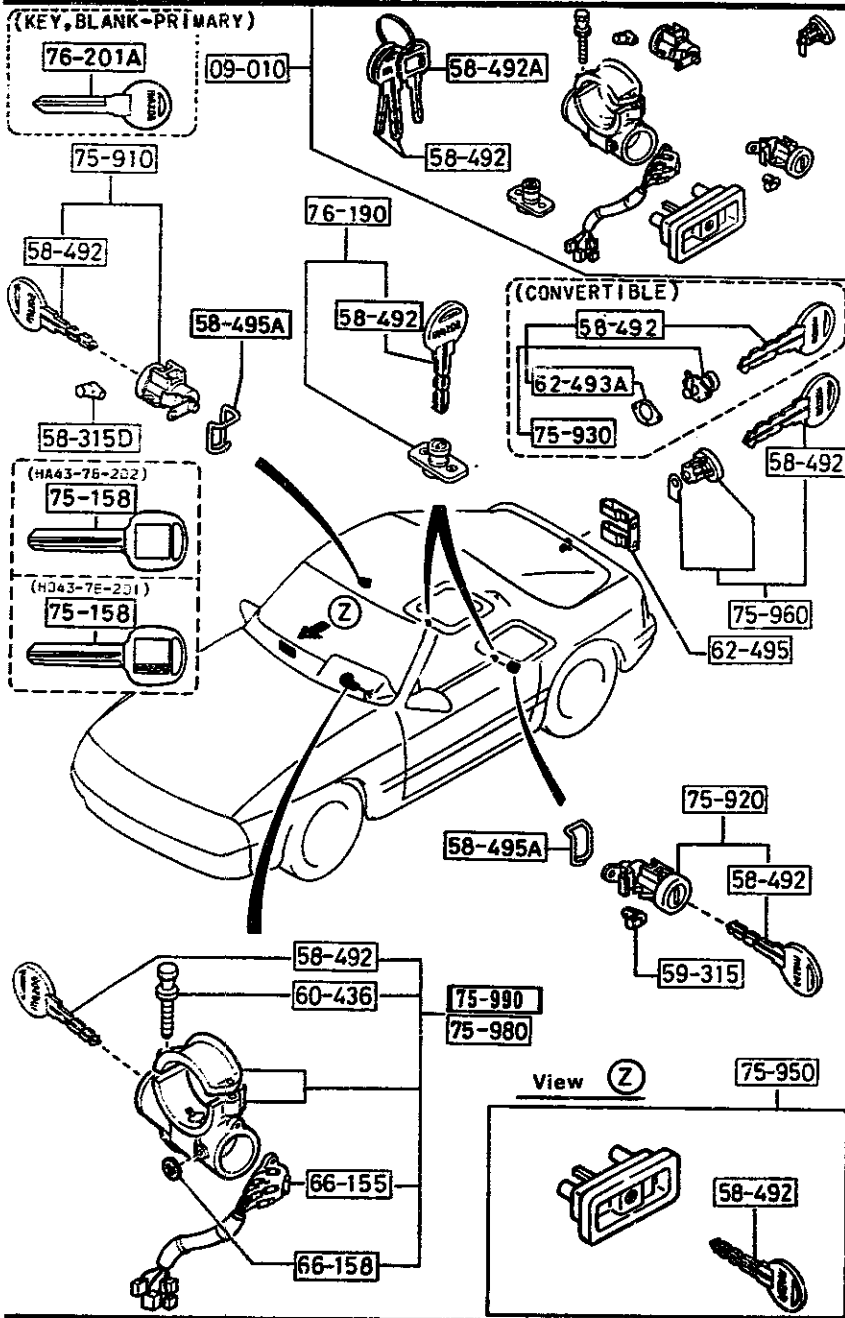
CAT. AUFA02-06

1992-05

3-D 3

0900 KEY SETS

0900 -3 * KEY SETS



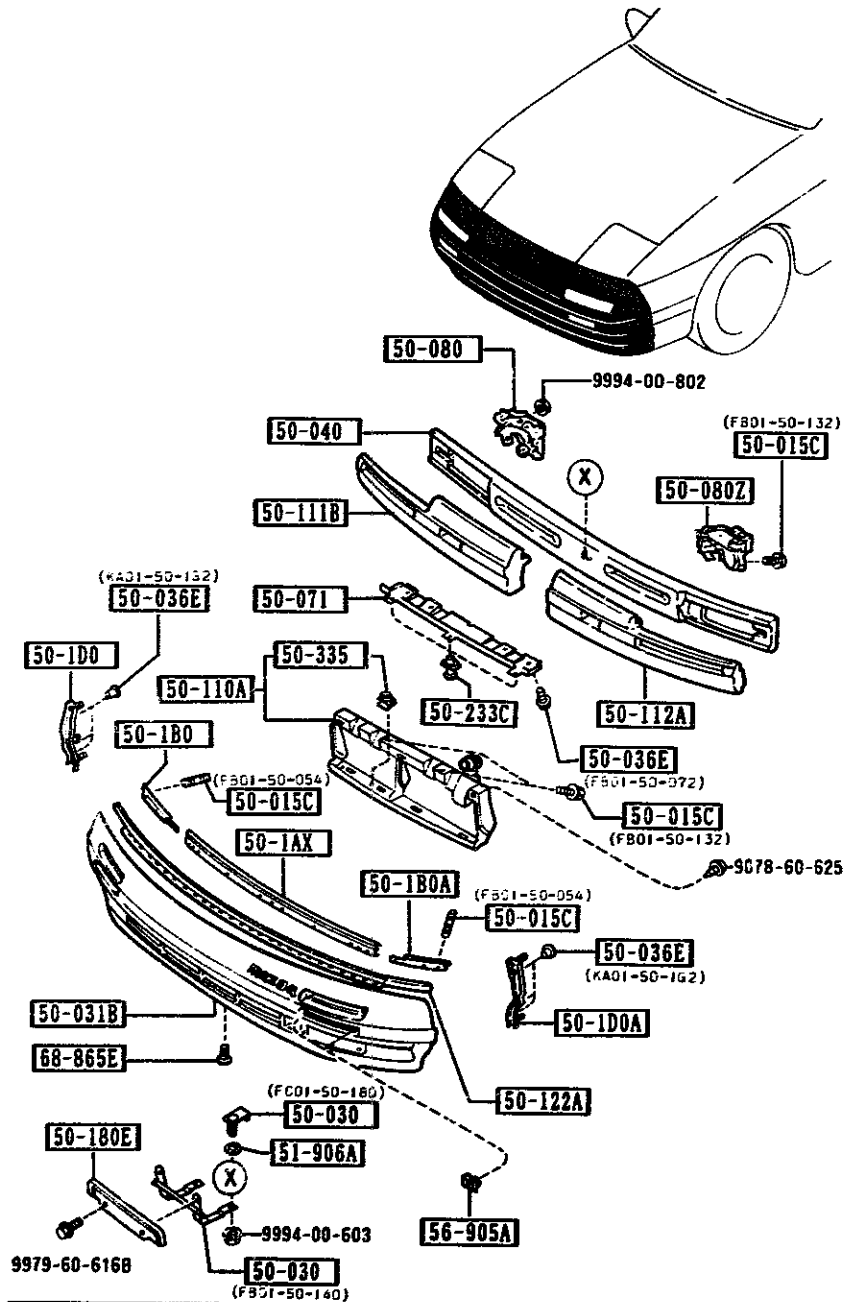
PART NO.	QTY	MODEL/RESTRICTION	MODEL/RESTRICTION	MODEL/RESTRICTION	FPOH-TD
75-910		KEY SUB SET(R),DOOR			
FB01-76-210B	1				
75-920		KEY SUB SET(L),DOOR			
FB01-76-220B	1				
75-930		KEY SUB SET,TRUNK			
FB68-76-230	1	(CONVERTIBLE)			
75-950		KEY SUB SET,GLOVE			
FB02-76-250	1				
02		F08 FE1 BLACK			
19		F09 RED			
48		F09 BLUE			
75-960		KEY SUB SET,LIFT GATE			
FB01-76-260	1	(CPE)			
75-980		KEY SUB SET,IG.SWICH			
FC01-76-290	1	((MT))>(W/O AIR BAG)			
FC07-76-290	1	((AT))>(W/O AIR BAG)			
75-990		KEY SUB SET,ST.LOCK			
FC66-76-290	1	((MT))>(W/AIR BAG)			
FC67-76-290	1	((AT))>(W/AIR BAG)			
76-190		KEY SUB SET,STORAGE			
FB02-76-190	1	(CPE)			
76-201A		KEY, BLANK-PRIMARY			
HA43-76-201A	1				

AUFA02

CAT. AUFA02-06

1992-05

5000 FRONT BUMPER

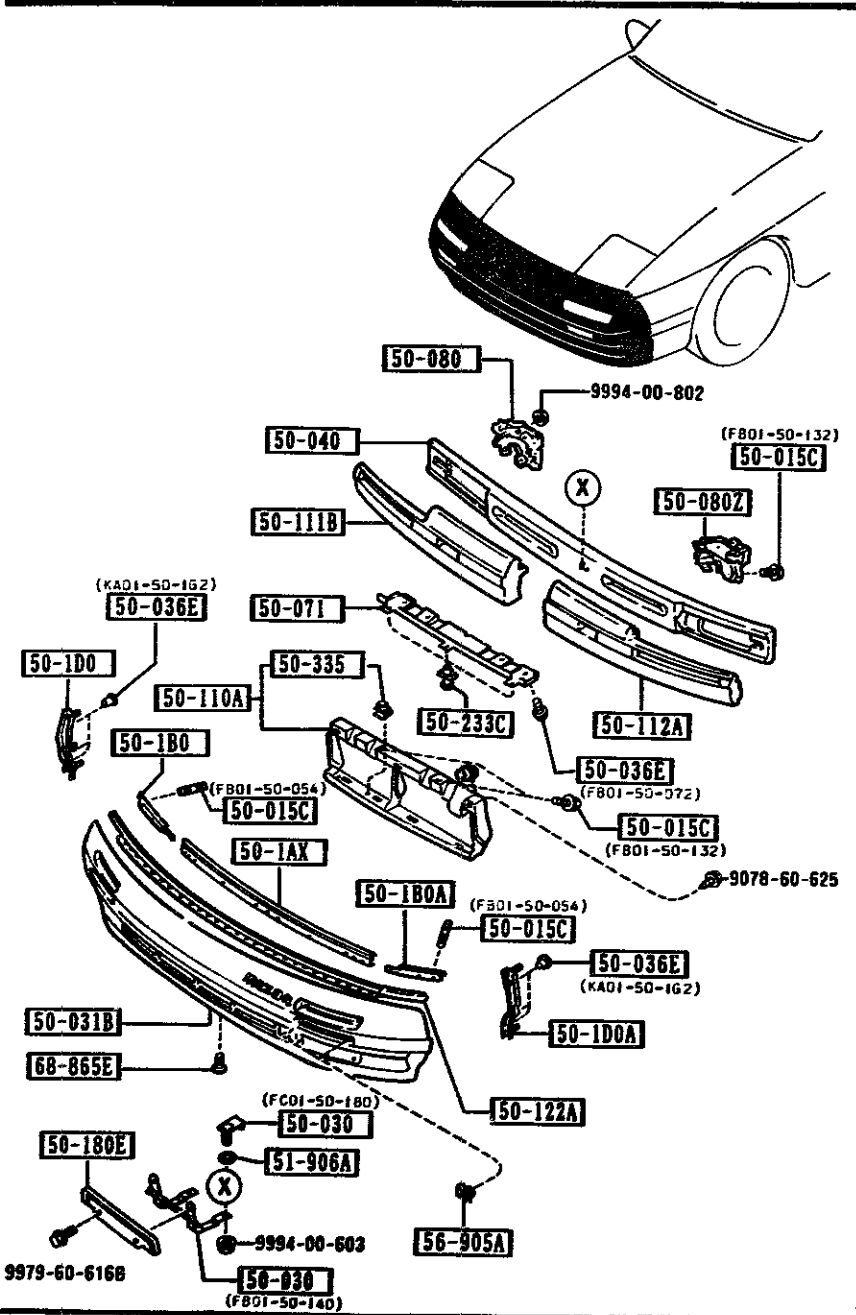


PART NO.	QTY	MODEL/RESTRICTION	MODEL/RESTRICTION	MODEL/RESTRICTION	FROM-TO
50-015C		BOLT			
FB01-50-054	2				
FB01-50-132	4				
50-030		HOLDER, NO. PLATE			
FB01-50-140	1				
FC01-50-180	2				
50-031B		FASCIA, FRONT			
FC01-50-031	1				
50-036E		CLIP			
KA01-50-1G2	6				
FB01-50-072	4				-9301
FB01-50-072	3				9301-
50-040		REINFORCEMENT, BUMPER			
FC01-50-071	1				
50-071		PLATE, SEAL-FRONT BUMPER			
FB01-50-071	1				
50-080		STAY(R), FRONT BUMPER			
FB01-50-080	1				-9823
A (FB01-50-080A)					9823-
FB01-50-080A	1				
50-080Z		STAY(L), FRONT BUMPER			
FB01-50-090	1				-9823
A (FB01-50-090A)					9823-
FB01-50-090A	1				
50-1AX		PLATE NO.1, SET-F. BUMPER			
FC01-50-1A0	1				
50-180		PLATE NO.2(R), SET-F. BUMPER			
FC01-50-180	1				
50-180A		PLATE NO.2(L), SET-F. BUMPER			
FC01-50-1C0	1				

9301 FC3***-706194
9823 FC3***-801679

5000 FRONT BUMPER

5000 -2 * FRONT BUMPER



AUFA02

CAT. AUFA02-06

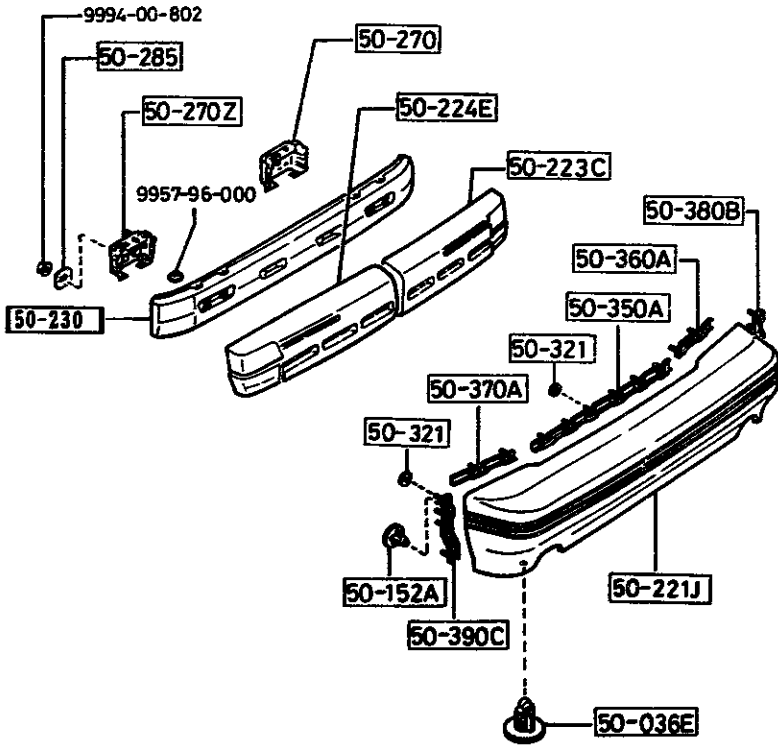
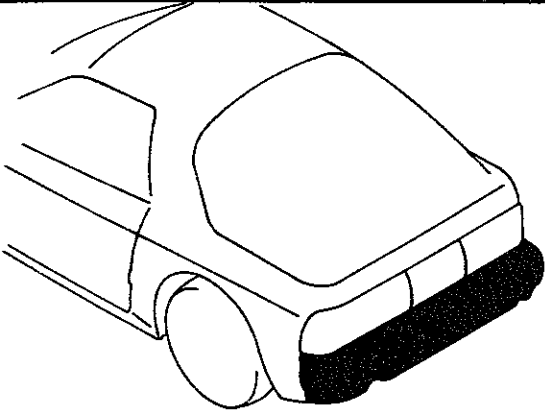
1992-05

PART NO.	QTY	MODEL/RESTRICTION	MODEL/RESTRICTION	MODEL/RESTRICTION	FROM-TO
50-100 FC01-50-100	1	PLATE NO.3(R),SET-F. BUMPER			
50-100A FC01-50-1E0	1	PLATE NO.3(L),SET-F. BUMPER			
50-110A FC01-50-A30A	1	BRACKET,BUMPER			
50-111B FC01-50-111	1	FOAM(R),ENGY.ABS-FRT BUMP			
50-112A FC01-50-112	1	FOAM(L),ENGY.ABS-FRT BUMP			
50-122A FB01-50-050A	1	RETAINER,FRT.BUMPER			
50-180E FB01-50-144	1	PROTECTOR,NO. PLATE			
50-233C BF82-50-233	3	FASTENER,REAR BUMPER			
50-335 FB01-50-133	4	NUT,CLIP			
51-906A S232-51-906	2	WASHER,ROOF MOULD			
56-905A 0820-56-905	4	NUT,SPRING			
68-865E S049-68-865	2	FASTENER			
00		FD8 FD9 FED FE1 BLACK			

3-G-3

5010 REAR BUMPER

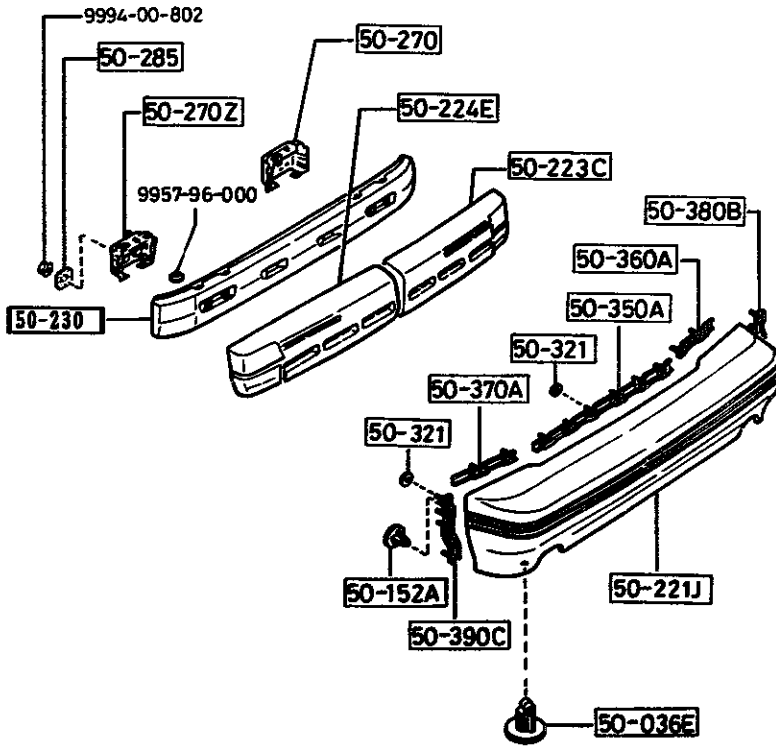
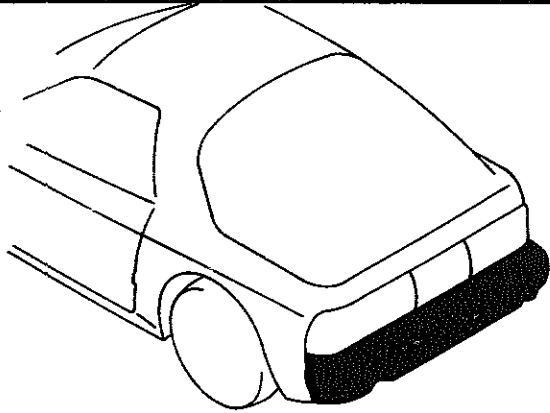
5010 -1 REAR BUMPER



PART NO.	QTY	MODEL/RESTRICTION	MODEL/RESTRICTION	MODEL/RESTRICTION	FROM-TO
50-036E		CLIP			
FB01-50-072	6				
50-152A		CLIP			
3597-50-152	10				
50-221J		BUMPER, REAR			
FC01-50-221A	1				
50-223C		FOAM(R), ENGY. ABS.-RR BUMP			
FC01-50-312	1				
50-224E		FOAM(L), ENGY. ABS.-RR BUMP			
FC01-50-313	1				
50-230		REINFORCEMENT, BUMPER			
FB01-50-330B	1				
50-270		STAY(R), RR. BUMPER			
FB01-50-280	1				
50-270Z		STAY(L), RR. BUMPER			
FB01-50-290	1				
50-285		GASKET, SEAL			
G030-50-285	2				
50-321		GASKET 'A', REAR BUMPER			
FB01-50-321	12				
50-350A		PLATE(C), SET-REAR BUMPER			
FB01-50-350	1				
50-360A		PLATE(R), SET-REAR BUMPER			
FB01-50-360	1				
50-370A		PLATE(L), SET-RR BUMPERS			
FB01-50-370	1				
50-380B		PLATE(R), SET-RR BUMPERS			
FB01-50-380	1				

5010 REAR BUMPER

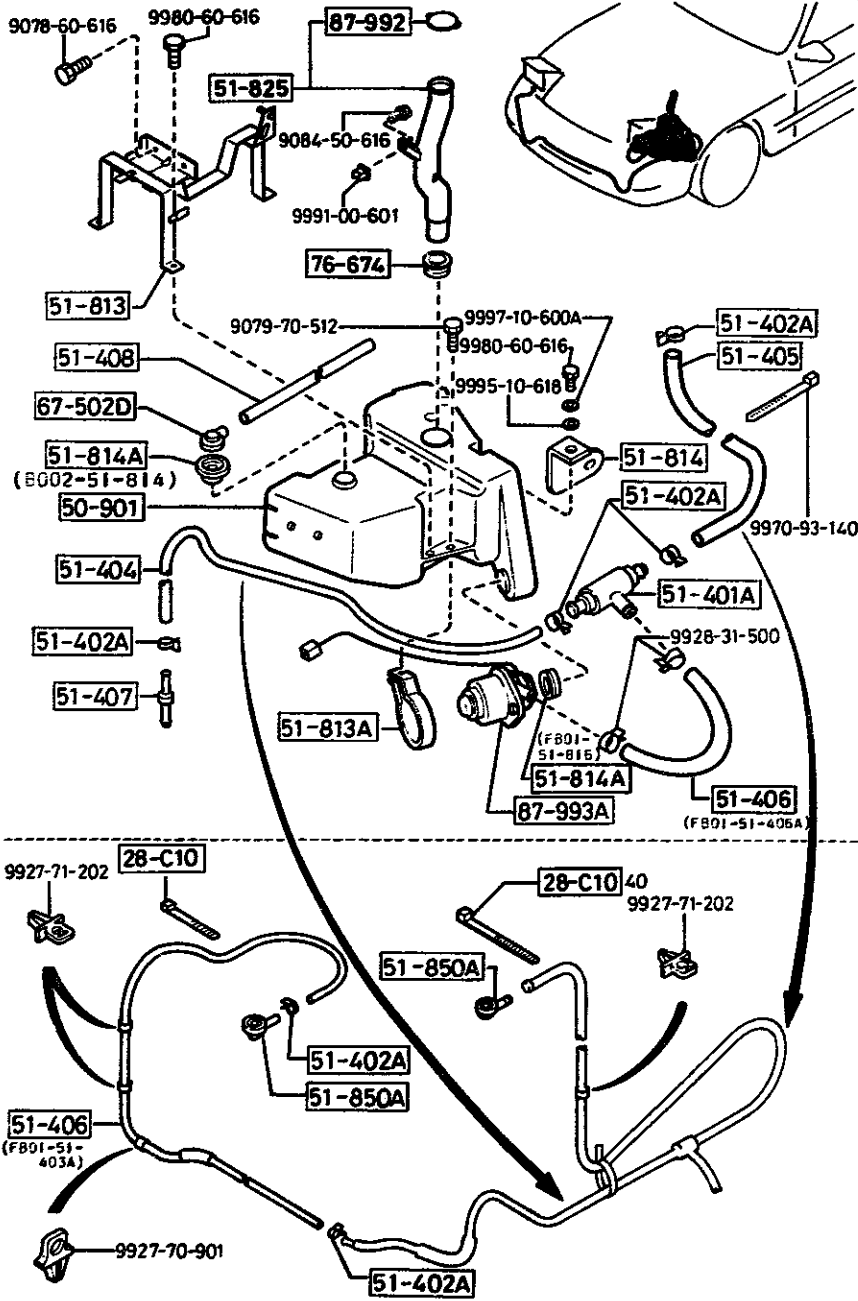
5010 -2 * REAR BUMPER



PART NO.	QTY	MODEL/RESTRICTION	MODEL/RESTRICTION	MODEL/RESTRICTION	FROM-TO
50-390C					
FB01-50-390	1	PLATE(L),SET-RR BUMP ER S.			

5020 HEAD LAMP CLEANER

5020 -1 HEAD LAMP CLEANER



PART NO.	QTY	MODEL/RESTRICTION	MODEL/RESTRICTION	MODEL/RESTRICTION	FROM-TO
28-C10		BAND, PIPE			
B214-28-C10	2				
50-901		TANK, WASHER			
FC01-51-812	1				
51-401A		VALVE, CHECK			
9113-51-401	1				
51-402A		CLIP			
3972-51-402	6				
51-404		PIPE			
FB01-51-404A	1				
51-405		PIPE			
FB01-51-405A	1				
51-406		PIPE			
FB01-51-403A	1				
FB01-51-406A	1				
51-407		JOINT			
8965-51-406	1				
51-408		PIPE			
FB01-51-407	1				
51-813		HOLDER*A*			
FB01-51-814	1				
51-813A		HOLDER, MOTOR-H. L. CLEANER			
FC01-51-813	1				
51-814		HOLDER*B*			
FB01-51-819	1				
51-814A		GROMMET, WASHER TANK			
8002-51-814	1				
FB01-51-816	1				

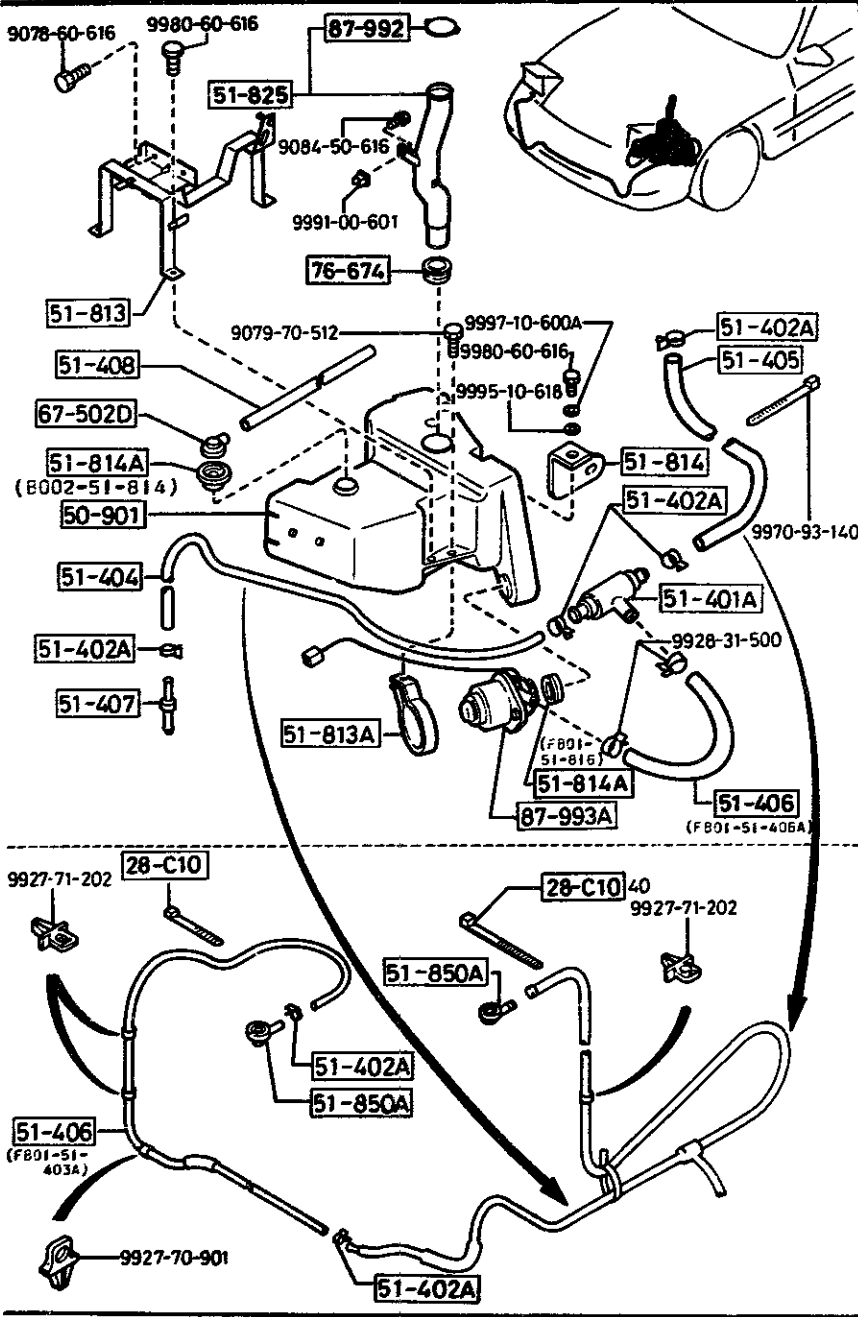
AUFA02

CAT. AUFA02-06

1992-05

5020 HEAD LAMP CLEANER

5020 -2 * HEAD LAMP CLEANER



PART NO.	QTY	MODEL/RESTRICTION	MODEL/RESTRICTION	MODEL/RESTRICTION	FROM-TO
51-825 FB01-51-82XC	1	PIPE, FILLER-WASHER TANK			
51-850A FB01-51-850	2	NOZZLE, WASHER-H.L.CLEANER			
67-502D S092-67-502	1	JOINT 'L'			
76-674 1243-76-674	1	GROMMET			
87-992 H005-50-905	1	CAP, TANK			
87-993A FC01-51-811	1	PUMP KIT			

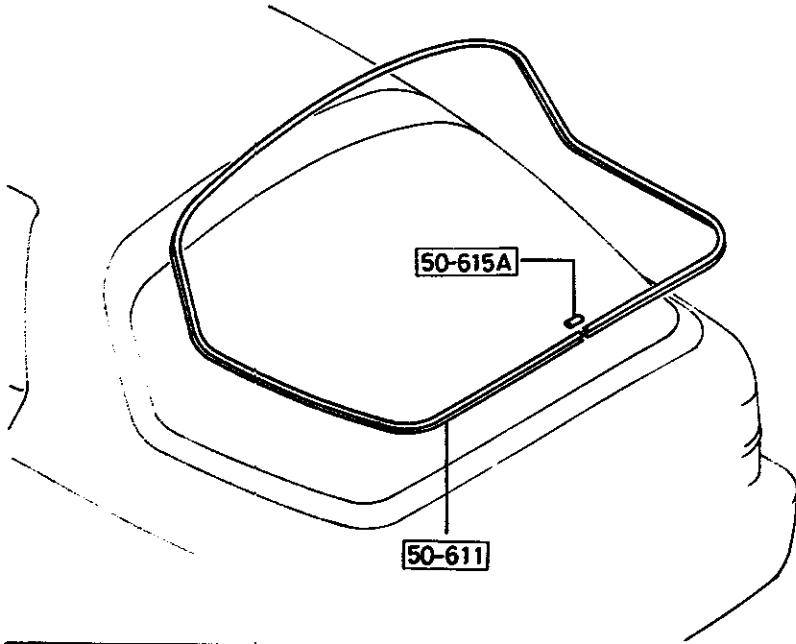
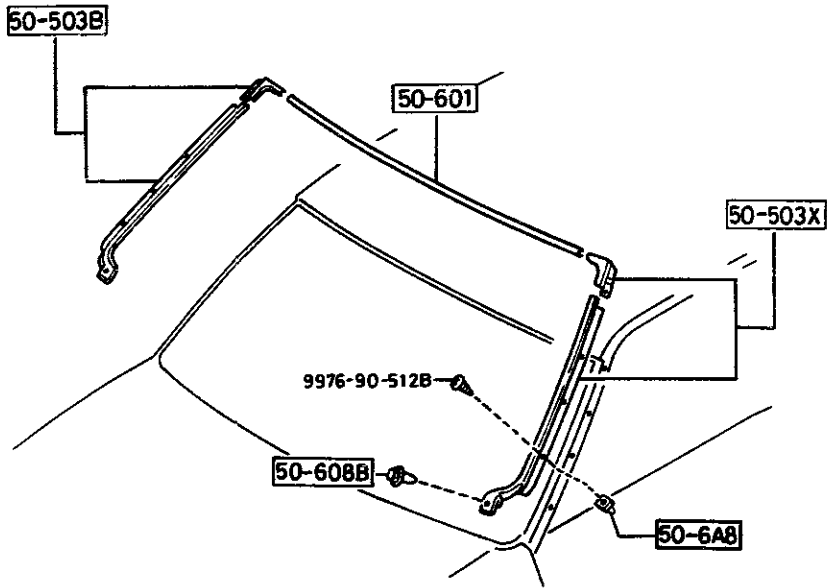
AUFA02

CAT. AUFA02-06

1992-05

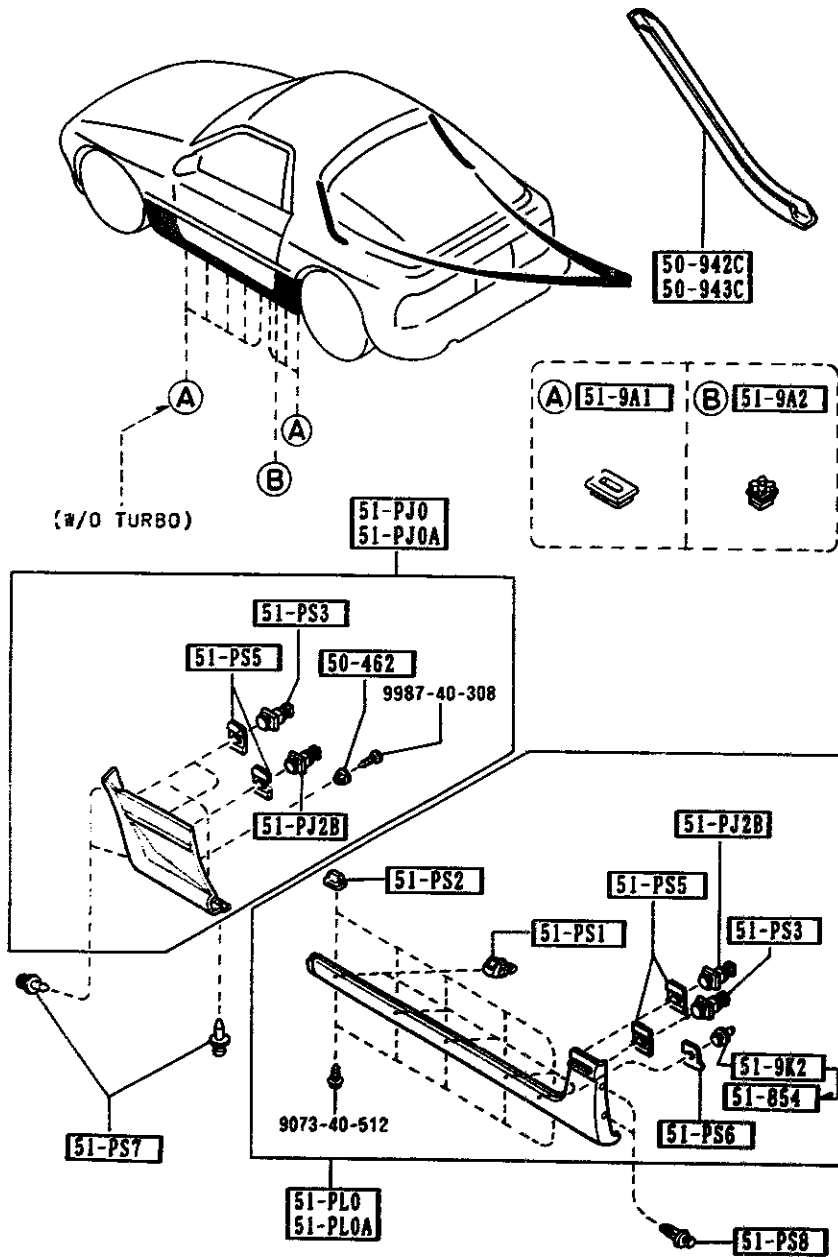
3-K 3

510
①
51-
51-
LA
(REFE
V
51-3
51-3
AUFA02

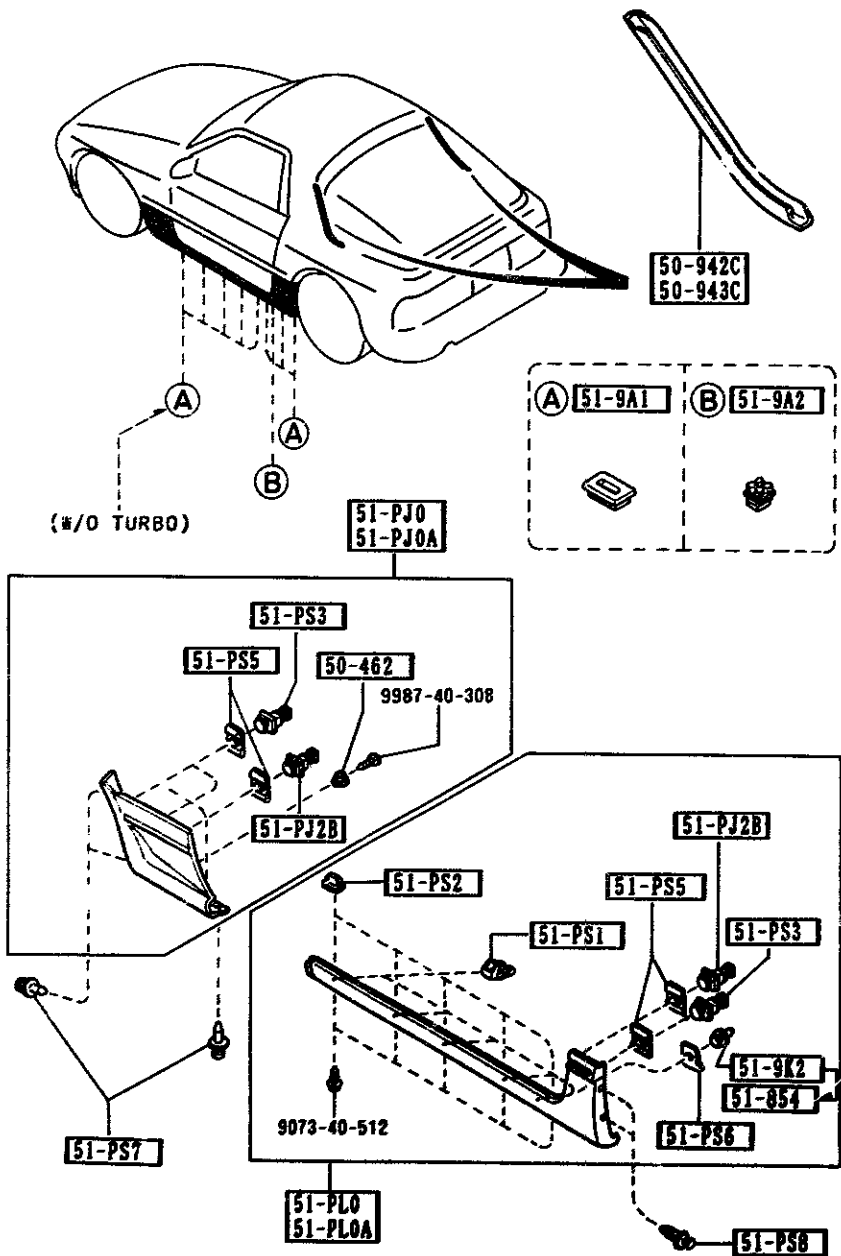


PART NO.	QTY	MODEL/RESTRICTION	MODEL/RESTRICTION	MODEL/RESTRICTION	FROM-TO
50-503B 8AF1-50-860	1	MOULD SET(R), F. SIDE			
50-503X 8AF1-50-870	1	MOULD SET(L), F. SIDE			
50-6A8 FB01-50-6A8	8	GROMMET, SCREW-F. WIND D.MLD			
50-601 FB01-50-601A	1	MOULD, WINDOW-FRONT			
50-608B H260-50-6A7	2	FASTENER, F. WIND.MLD.			
50-611 FB01-50-611C	1 (CPE)	MOULD, RR. WINDOW			
50-615A FB01-50-615C	1 (CPE)	JOINT, BACK WIND MOUL D			

51
①
51
51
LA
(REF
W
51-
51-
AUFA



PART NO.	QTY	MODEL/RESTRICTION	MODEL/RESTRICTION	MODEL/RESTRICTION	FROM-TO
50-462		CLIP, STEP MOULD			
FC17-51-PS9	2	(TURBO)			
50-942C		MOULD(R), REAR			
FB01-50-942A	1	REGULAR TYPE			
50-943C		MOULD(L), REAR			
FB01-50-943A	1	REGULAR TYPE			
51-PJ0		MOULD(R), STEP-FRT			
FC17-51-PJ0A	1	(TURBO)			
PZ		PZ BRILLIANT BLACK			
SQ		SQ BLAZE RED			
UC		UC CRYSTAL WHITE			
WY		WY NOBLE WHITE			
1F		1F WINNING SILVER M.			
3G		3G SHADOW SILVER METALL			
5D		5D HARBOR BLUE H.			
6H		6H MELLOW BURGUNDY MC			
51-PJ0A		MOULD(L), STEP-FRT			
FC17-51-PP0A	1	(TURBO)			
PZ		PZ BRILLIANT BLACK			
SQ		SQ BLAZE RED			
UC		UC CRYSTAL WHITE			
WY		WY NOBLE WHITE			
1F		1F WINNING SILVER M.			
3G		3G SHADOW SILVER METALL			
5D		5D HARBOR BLUE M.			
6H		6H MELLOW BURGUNDY MC			
51-PJ2B		CLIP			
FC17-51-PJ2	4	(TURBO)			



PART NO.	QTY	MODEL/RESTRICTION	MODEL/RESTRICTION	MODEL/RESTRICTION	FROM TO
51-PLO		MOULD(R),STEP-RR			
FC17-51-PK0A A (FC17-51-PK0B)	1				-9208
PZ		PZ BRILLIANT BLACK			
SQ		SQ BLAZE RED			
UC		UC CRYSTAL WHITE			
WY		WY NOBLE WHITE			
1F		1F WINNING SILVER M.			
3G		3G SHADOW SILVER METALL			
5D		5D HARBOR BLUE M.			
6H		6H MELLOW BURGUNDY MC			
FC17-51-PK0B	1	(TURBO)			9208-
PZ		PZ BRILLIANT BLACK			
SQ		SQ BLAZE RED			
UC		UC CRYSTAL WHITE			
WY		WY NOBLE WHITE			
1F		1F WINNING SILVER M.			
3G		3G SHADOW SILVER METALL			
5D		5D HARBOR BLUE M.			
6H		6H MELLOW BURGUNDY MC			
51-PLOA		MOULD(L),STEP-RR			
FC17-51-PROA A (FC17-51-PROB)	1				-9208
PZ		PZ BRILLIANT BLACK			
SQ		SQ BLAZE RED			
UC		UC CRYSTAL WHITE			
WY		WY NOBLE WHITE			
1F		1F WINNING SILVER M.			
3G		3G SHADOW SILVER METALL			
5D		5D HARBOR BLUE M.			
6H		6H MELLOW BURGUNDY MC			
FC17-51-PROB	1	(TURBO)			9208-
9208 FCSNNH-702731					

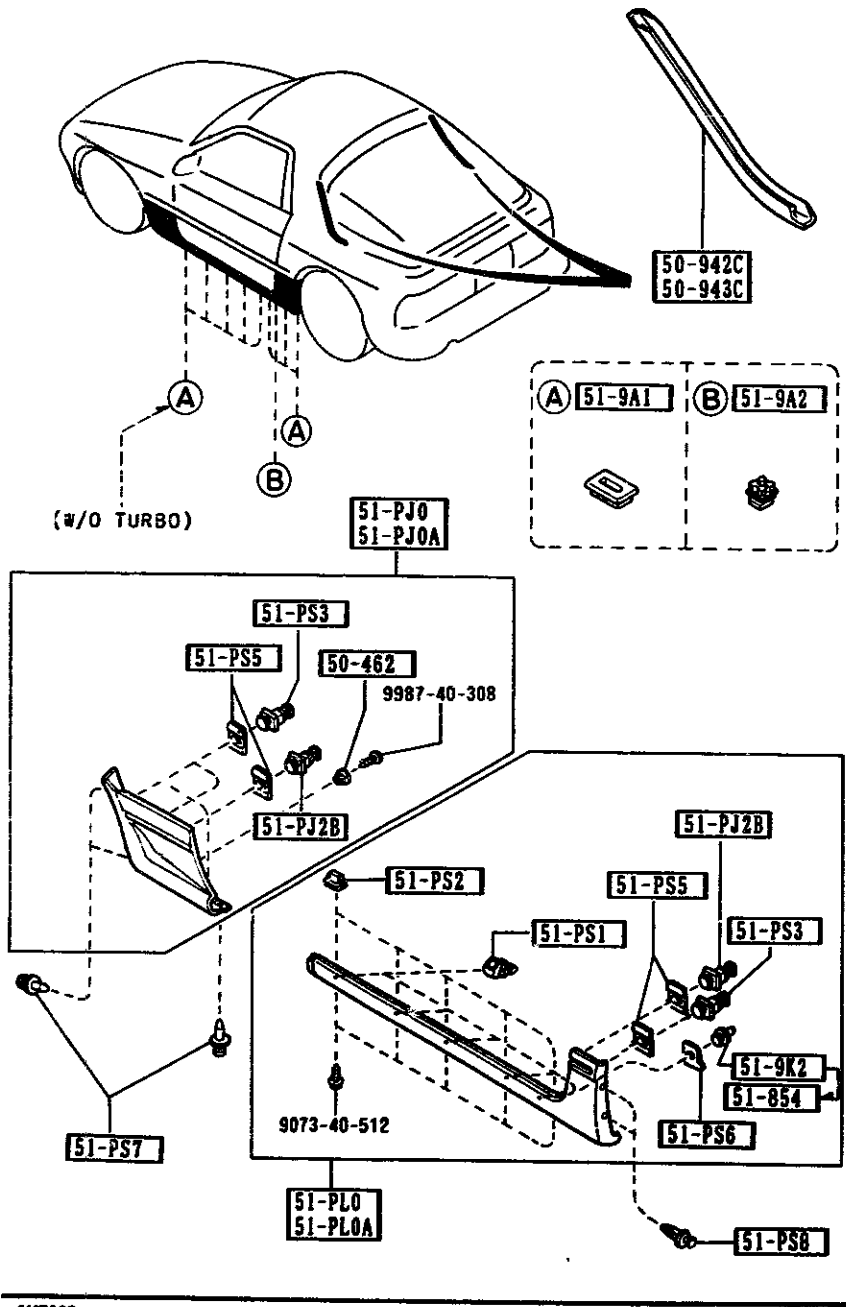
3 N 3

SECTION NAME INDEX (BODY)1/2

LO.NO	SEC.NO	SECTION NAME	LO.NO	SEC.NO	SECTION NAME	LO.NO	SEC.NO	SECTION NAME
3-CD3	0900	KEY SETS	3-J09	5390	FLOOR ATTACHMENTS			
3-F03	5000	FRONT BUMPER	3-C10	5500	DASHBOARD EQUIPMENTS			
3-H03	5010	REAR BUMPER	3-F10	5520	METER HOOD			
3-J03	5020	HEAD LAMP CLEANER	3-G10	5530	SPEEDOMETER CABLE			
3-L03	5030	WINDOW MOULDINGS	3-H10	5540	METER COMPONENTS			
3-M03	5040	BODY MOULDINGS (COUPE)	3-J10	5560	DASHBOARD & RELATED PARTS			
3-E04	5060	SIDE PROTECTORS	3-E11	5570	CONSOLE			
3-I04	5100	HEAD LAMPS	3-H11	5580	VENTILATOR			
3-J04	5103	HEAD LAMP RETRACTORS	3-J11	5700	FRONT SEATS (COUPE)			
3-N04	5105	FRONT COMBINATION LAMPS	3-M13	5700A	FRONT SEATS (CONVERTIBLE)			
3-G05	5110	REAR COMBINATION LAMPS	3-K13	5750	REAR SEATS (COUPE)			
3-K05	5120	LICENSE LAMPS	3-M13	5790	SEAT BELTS (COUPE)			
3-M05	5125	INTERIOR LAMPS	3-C14	5790A	SEAT BELTS (CONVERTIBLE)			
3-N05	5130	OVERHEAD CONSOLE	3-D14	5800	FRONT DOORS (COUPE)			
3-C06	5170	ORNAMENTS	3-G14	5800A	FRONT DOORS (CONVERTIBLE)			
3-D06	5180	COWL & EXTRACTOR GRILLES	3-K14	5830	FRONT DOOR MECHANISMS (COUPE)			
3-G06	5230	BONNET	3-F15	5830A	FRONT DOOR MECHANISMS (CONVERTIBLE)			
3-J06	5260	TRUNK LID (CONVERTIBLE)	3-J15	5840	FRONT DOOR TRIMS & RELATED PARTS (COUPE)			
3-L06	5310	BODY PANELS (FRONT) (COUPE)	3-H16	5840A	FRONT DOOR TRIMS & RELATED PARTS (CONVERTIBLE)			
3-C07	5310 A	BODY PANELS (FRONT) (CONVERTIBLE)						
3-F07	5320	BODY PANELS (FENDER & WHEEL ARCH)						
3-K07	5330	BODY PANELS (DASH & COWL PANEL)						
3-L07	5340	BODY PANELS (SIDE) (COUPE)						
3-E08	5340A	BODY PANELS (SIDE) (CONVERTIBLE)						
3-K08	5360	BODY PANELS (ROOF) (W/O SUN ROOF)						
3-L08	5360 A	BODY PANELS (ROOF) (SUN ROOF)						
3-M08	5370	BODY PANELS (FLOOR) (COUPE)						
3-D09	5370 A	BODY PANELS (FLOOR) (CONVERTIBLE)						
3-H09	5380	FLOOR ATTACHMENTS (HOLE COVERS)						

CATLOG-NO= AUFAD2-06

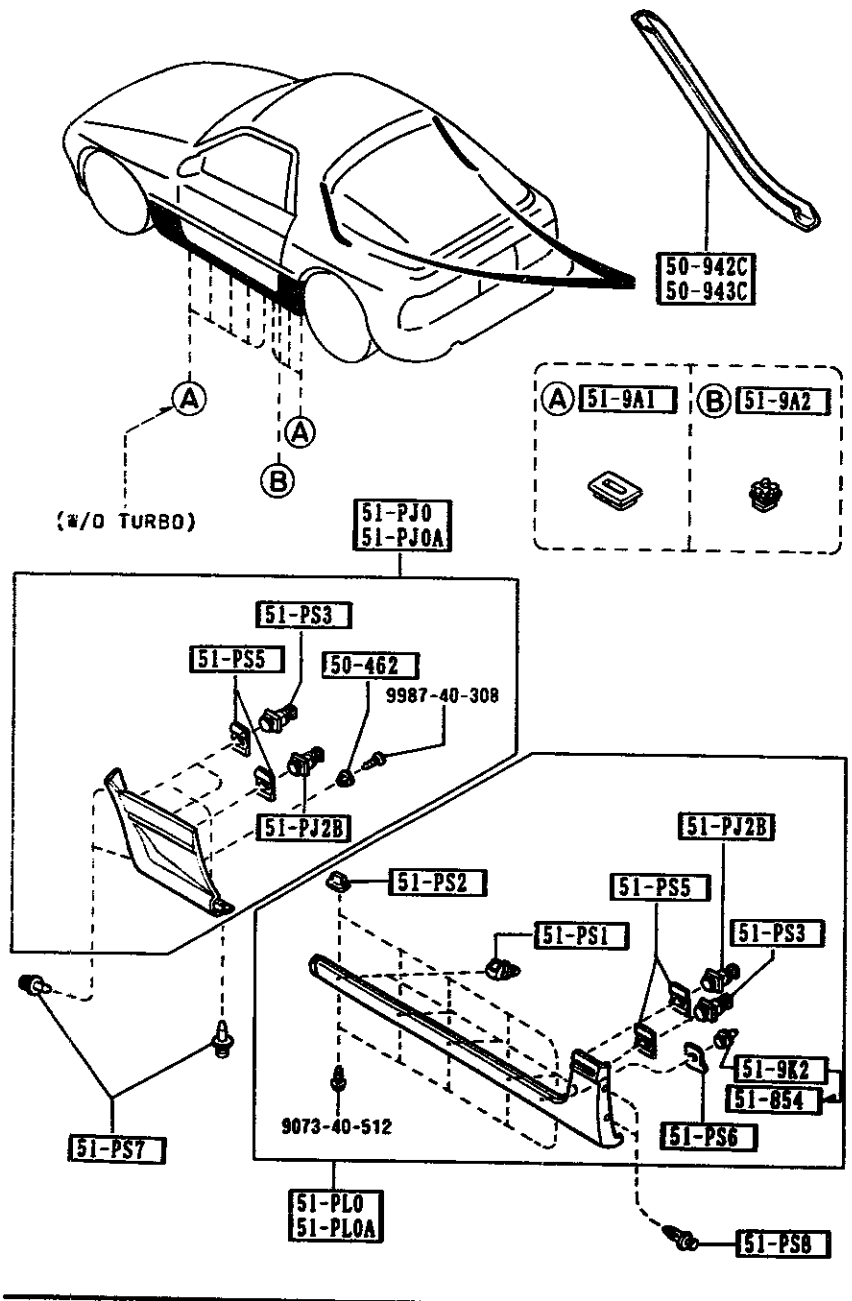
DATE. 1992-05



PART NO.	QTY	MODEL/RESTRICTION	MODEL/RESTRICTION	MODEL/RESTRICTION	FROM-TO
CONT'D					
PZ		PZ BRILLIANT BLACK			
SQ		SQ BLAZE RED			
UC		UC CRYSTAL WHITE			
WY		WY NOBLE WHITE			
1F		1F WINNING SILVER M.			
3G		3G SHADOW SILVER METALL			
5D		5D HARBOR BLUE M.			
6H		6H MELLOW BURGUNDY MC			
51-PS1		CLIP			
FC17-51-PS1A	10	(TURBO)			
51-PS2		SCREW, GROMMET			
FC17-51-PS2	10	(TURBO)			
51-PS3		CLIP			
FC17-51-PS3	6	(TURBO)			
51-PS5		BRACKET, NO.2			
FC17-51-PS5	10	(TURBO)			
51-PS6		BRACKET, NO.2			
FC17-51-PS6	2	(FOR RIGHT & LEFT) (TURBO)			-9208
FC17-51-PS6	1	(FOR RIGHT) (TURBO)			9208-
FC18-51-PS6	1	(FOR LEFT) (TURBO)			9208-
51-PS7		RIVET			
FC17-51-PS7	6	(TURBO)			
PZ		PZ BRILLIANT BLACK			
SQ		SQ BLAZE RED			
UC		UC CRYSTAL WHITE			
WY		WY NOBLE WHITE			
1F		1F WINNING SILVER M.			
3G		3G SHADOW SILVER METALL			
9208 FC3MRK-702731					

5040 BODY MOULDINGS
(COUPE)

5040 -4 * BODY MOULDINGS
(COUPE)



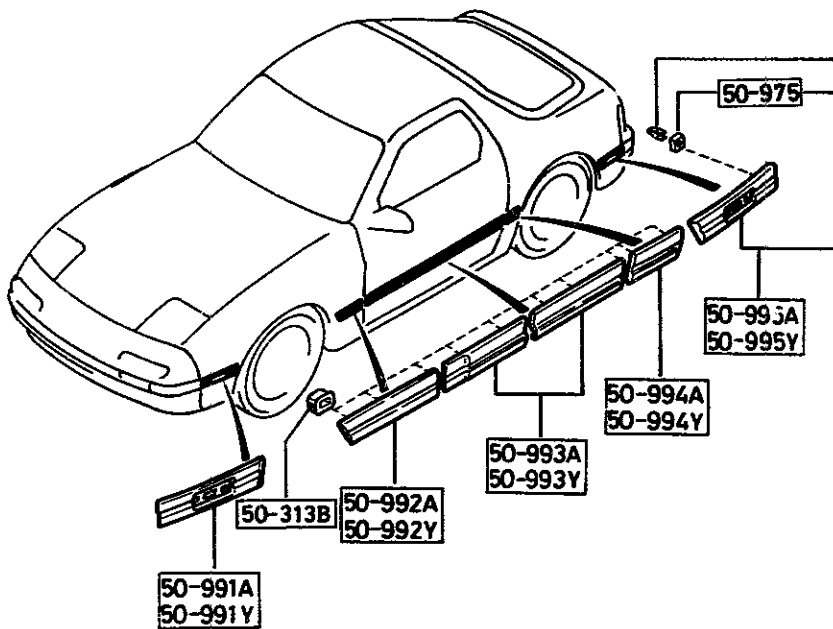
PART NO.	QTY	MODEL/RESTRICTION	MODEL/RESTRICTION	MODEL/RESTRICTION	FROM-TO
CONT'D					
5D		5D HARBOR BLUE M.			
6H		6H MELLOW BURGUNDY MC			
51-PS8		RIVET			
FC17-51-PS8	4	(TURBO)			
PZ		PZ BRILLIANT BLACK			
SQ		SQ BLAZE RED			
UC		UC CRYSTAL WHITE			
WY		WY NOBLE WHITE			
1F		1F WINNING SILVER M.			
3G		3G SHADOW SILVER METALL			
5D		5D HARBOR BLUE M.			
6H		6H MELLOW BURGUNDY MC			
51-854		FASTENER			
8129-51-993	2	(TURBO)			9208-
51-9A1		PLUG 'A', BLIND-S. SPOILER			
FB03-51-9A1	6	(TURBO)			
51-9A2		PLUG 'B', BLIND-S. SPOILER			
FB03-51-9A2	2				
51-9K2		FASTENER, AIR DAM-SKIRT			
FB01-51-9K2	2	(TURBO)			-9208
9208 FC3NNK-702731					

CAT. AUFA02-06

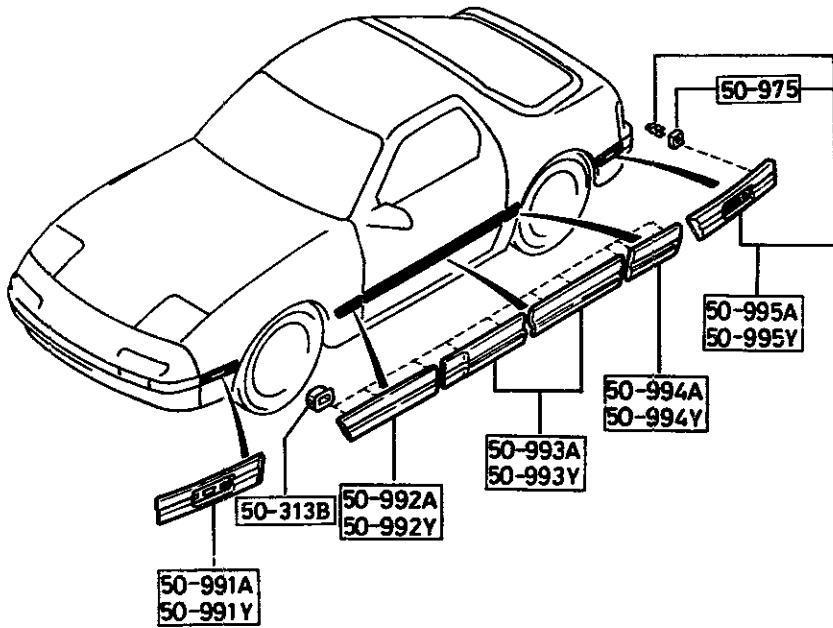
1992-05

5060 SIDE PROTECTORS

5060 -1 SIDE PROTECTORS



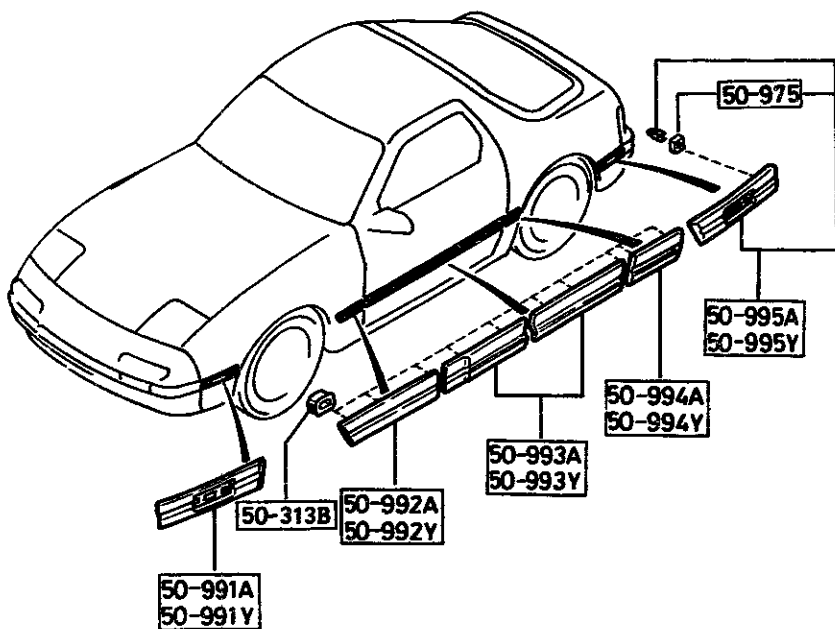
PART NO.	QTY	MODEL/RESTRICTION	MODEL/RESTRICTION	MODEL/RESTRICTION	FROM-TO
50-313B H115-50-313A	20	GROMMET, PROTECTOR			
50-975 FB01-50-945	2	GASKET			
50-991A FC01-50-6R0A	1	PROTECTOR 'A' (R), SIDE			
PZ		PZ BRILLIANT BLACK			
SQ		SQ BLAZE RED			
UC		UC CRYSTAL WHITE			
WY		WY NOBLE WHITE			
1F		1F WINNING SILVER M.			
3G		3G SHADOW SILVER METALL			
5D		5D HARBOR BLUE M.			
6H		6H MELLOW BURGUNDY MC			
50-991Y FC01-50-6S0A	1	PROTECTOR 'A' (L), SIDE			
PZ		PZ BRILLIANT BLACK			
SQ		SQ BLAZE RED			
UC		UC CRYSTAL WHITE			
WY		WY NOBLE WHITE			
1F		1F WINNING SILVER M.			
3G		3G SHADOW SILVER METALL			
5D		5D HARBOR BLUE M.			
6H		6H MELLOW BURGUNDY MC			
50-992A FC01-50-681A	1	PROTECTOR 'B' (R), SIDE (W/O TURBO)			
PZ		PZ BRILLIANT BLACK			
SQ		SQ BLAZE RED			
UC		UC CRYSTAL WHITE			
WY		WY NOBLE WHITE			



PART NO.	QTY	MODEL/RESTRICTION	MODEL/RESTRICTION	MODEL/RESTRICTION	FROM-TO
CONT'D					
1F		1F WINNING SILVER M.			
3G		3G SHADOW SILVER METALL			
5D		5D HARBOR BLUE M.			
6H		6H MELLOW BURGUNDY MC			
		50-992Y			
FC01-50-691A	1	PROTECTOR'B'(L),SIDE (W/O TURBO)			
PZ		PZ BRILLIANT BLACK			
SQ		SQ BLAZE RED			
UC		UC CRYSTAL WHITE			
WY		WY NOBLE WHITE			
1F		1F WINNING SILVER M.			
3G		3G SHADOW SILVER METALL			
5D		5D HARBOR BLUE M.			
6H		6H MELLOW BURGUNDY MC			
		50-993A			
FC01-50-682	1	PROTECTOR'C'(R),SIDE			
PZ		PZ BRILLIANT BLACK			
SQ		SQ BLAZE RED			
UC		UC CRYSTAL WHITE			
WY		WY NOBLE WHITE			
1F		1F WINNING SILVER M.			
3G		3G SHADOW SILVER METALL			
5D		5D HARBOR BLUE M.			
6H		6H MELLOW BURGUNDY MC			
		50-993Y			
FC01-50-692	1	PROTECTOR'C'(L),SIDE			
PZ		PZ BRILLIANT BLACK			
SQ		SQ BLAZE RED			
UC		UC CRYSTAL WHITE			
WY		WY NOBLE WHITE			

5060 SIDE PROTECTORS

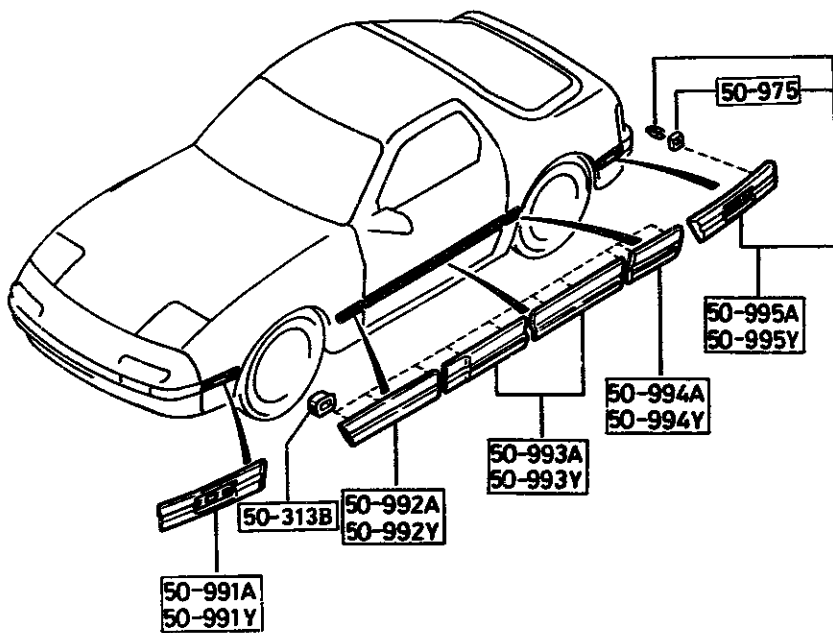
5060 -3 SIDE PROTECTORS



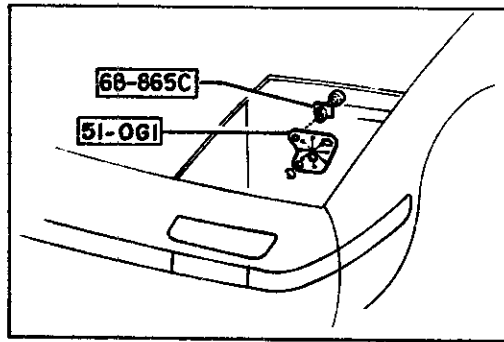
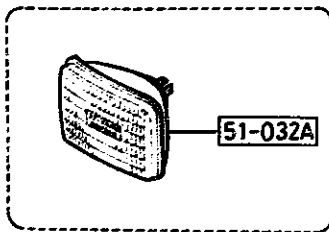
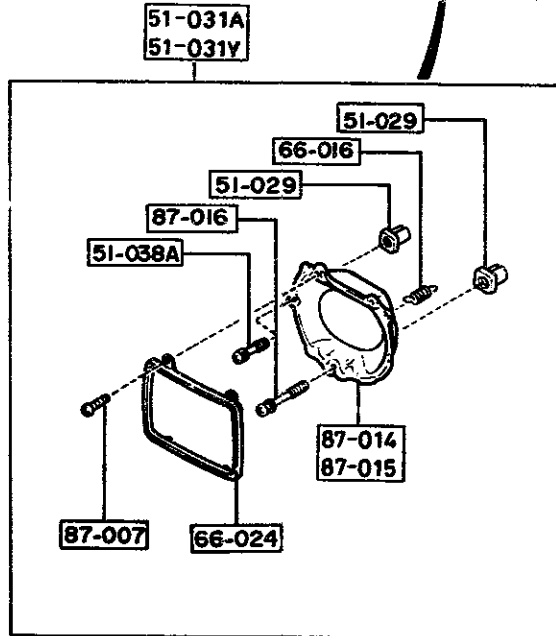
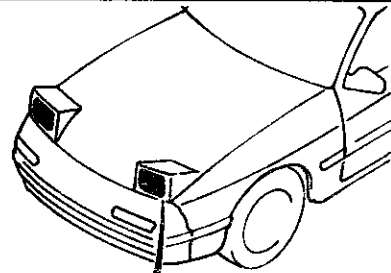
PART NO.	QTY	MODEL/RESTRICTION	MODEL/RESTRICTION	MODEL/RESTRICTION	FROM-TO
CONT'D					
1F		1F WINNING SILVER M.			
3G		3G SHADOW SILVER METALL			
5D		5D HARBOR BLUE M.			
6H		6H MELLOW BURGUNDY MC			
		----- 50-994A -----			
FC01-50-683A	1	(W/O TURBO)			
PZ		PZ BRILLIANT BLACK			
SQ		SQ BLAZE RED			
UC		UC CRYSTAL WHITE			
WY		WY NOBLE WHITE			
1F		1F WINNING SILVER M.			
3G		3G SHADOW SILVER METALL			
5D		5D HARBOR BLUE M.			
6H		6H MELLOW BURGUNDY MC			
		----- 50-994Y -----			
FC01-50-693A	1	(W/O TURBO)			
PZ		PZ BRILLIANT BLACK			
SQ		SQ BLAZE RED			
UC		UC CRYSTAL WHITE			
WY		WY NOBLE WHITE			
1F		1F WINNING SILVER M.			
3G		3G SHADOW SILVER METALL			
5D		5D HARBOR BLUE M.			
6H		6H MELLOW BURGUNDY MC			
		----- 50-995A -----			
FC01-50-6V0A	1				
PZ		PZ BRILLIANT BLACK			
SQ		SQ BLAZE RED			
UC		UC CRYSTAL WHITE			

5060 -4 * SIDE PROTECTORS

5060 SIDE PROTECTORS



PART NO.	QTY	MODEL/RESTRICTION	MODEL/RESTRICTION	MODEL/RESTRICTION	FROM-TO
CONT'D					
WY		WY NOBLE WHITE			
1F		1F WINNING SILVER M.			
3G		3G SHADOW SILVER METALL			
5D		5D HARBOR BLUE M.			
6H		6H MELLOW BURGUNDY MC			
		50-995Y			
FC01-50-6MDA	1	PROTECTOR'E'(L),SIDE			
PZ		PZ BRILLIANT BLACK			
SQ		SQ BLAZE RED			
UC		UC CRYSTAL WHITE			
WY		WY NOBLE WHITE			
1F		1F WINNING SILVER M.			
3G		3G SHADOW SILVER METALL			
5D		5D HARBOR BLUE M.			
6H		6H MELLOW BURGUNDY MC			



PART NO.	QTY	MODEL/RESTRICTION	MODEL/RESTRICTION	MODEL/RESTRICTION	FROM-TO
51-061		COVER, SEAL-SHROUD			
FB01-51-061	2				
51-029		GROMMET, SCREW			
0483-66-061A	4				
51-031A		LAMP SUB SET(R), HEAD			
88F1-51-032	1				
51-031Y		LAMP SUB SET(L), HEAD			
88F1-51-042	1				
51-032A		UNIT, HEAD LAMP			
FB06-51-031	2	GTE-SYLVANIA			
51-038A		SCREW, ADJUST			
FB01-51-047	2				
66-016		SPRING, ADJUST			
FB01-51-036	2				
FC42-51-036	2				
66-024		RING, RETAINING			
BA03-51-033	2				
68-865C		FASTENER			
B006-68-865	6				
87-007		SCREW			
8239-51-035	8				
87-014		RING(R) MOUNTING			
FB01-51-032	1				
87-015		RING(L) MOUNTING			
FB01-51-042	1				
87-016		SCREW, ADJUST			
FB01-51-037	2				

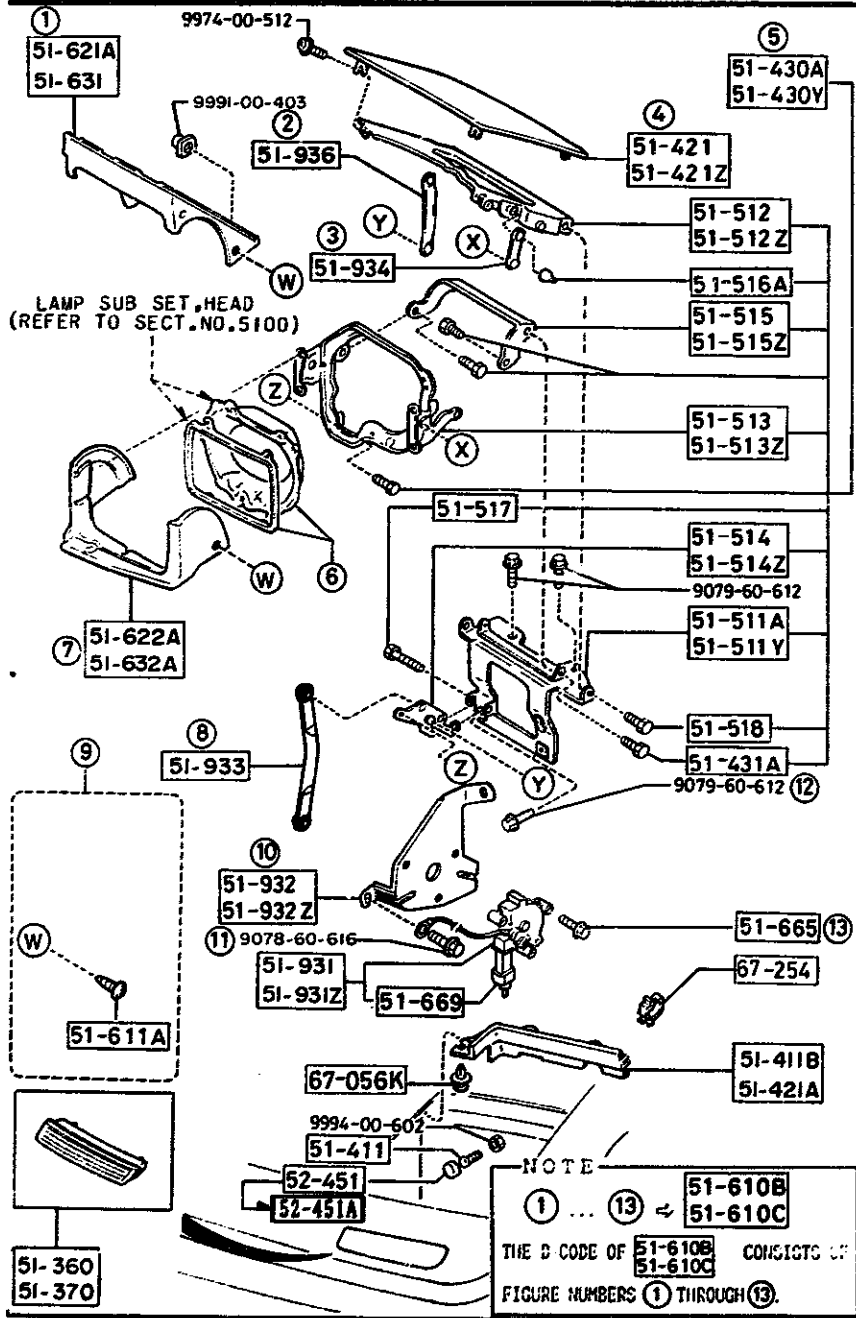
-9317

9317-

9317 FC3MM-706944

5103 -1 HEAD LAMP RETRACTORS

5103 HEAD LAMP RETRACTORS

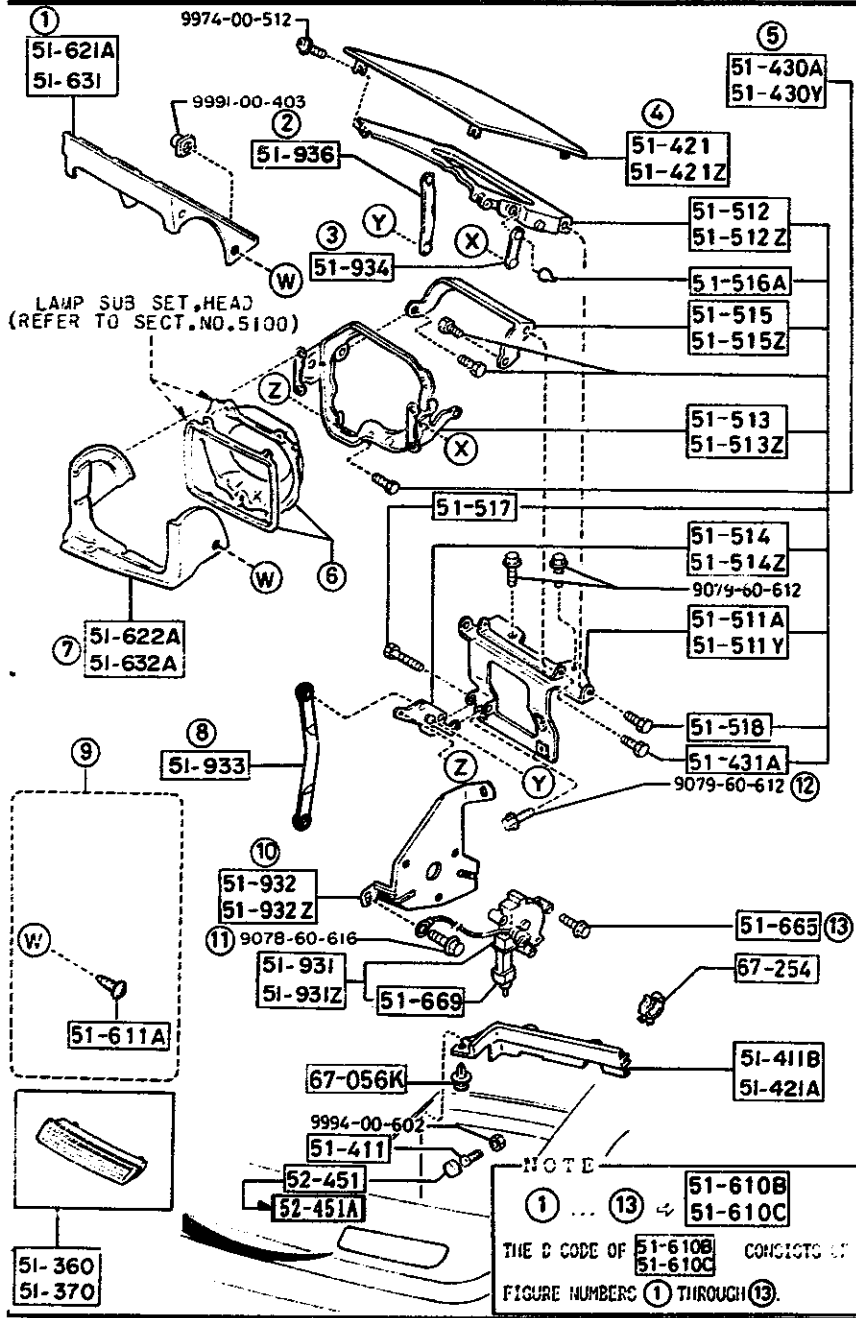


PART NO.	QTY	MODEL/RESTRICTION	MODEL/RESTRICTION	MODEL/RESTRICTION	FROM-TO
51-360		COVER(R), PASSING HOLE			
FB01-51-360B	1				
51-370		COVER(L), PASSING HOLE			
FB01-51-370B	1				
51-411		SCREW, STOPPER			
8871-51-411	2				
51-411B		PROTECTOR(R), RETRACTABLE			
FB01-51-411A	1				
51-421		LID(R), LAMP			
FB01-51-623	1				
51-421A		PROTECTOR(L), RETRACTABLE			
FB01-51-421A	1				
51-421Z		LID(L), LAMP			
FB01-51-633	1				
51-430A		HINGE(R), LID-LAMP			
FB01-51-510E	1				-9101
FB01-51-510F	1				9101-
51-430Y		HINGE(L), LID-LAMP			
FB01-51-520E	1				-9101
FB01-51-520F	1				9101-
51-431A		BOLT, HINGE			
H001-51-511	10				
51-511A		BRACKET(R), HINGE-LAMP LID			
FB01-51-511A	1				
51-511Y		BRACKET(L), HINGE-LAMP LID			
FB01-51-521A	1				
51-512		FRAME(R), LAMP LID			
FB01-51-512	1				
9101 FCSNRR-700067					

CAT. AUFA02-06

1992-05

5103 HEAD LAMP RETRACTORS



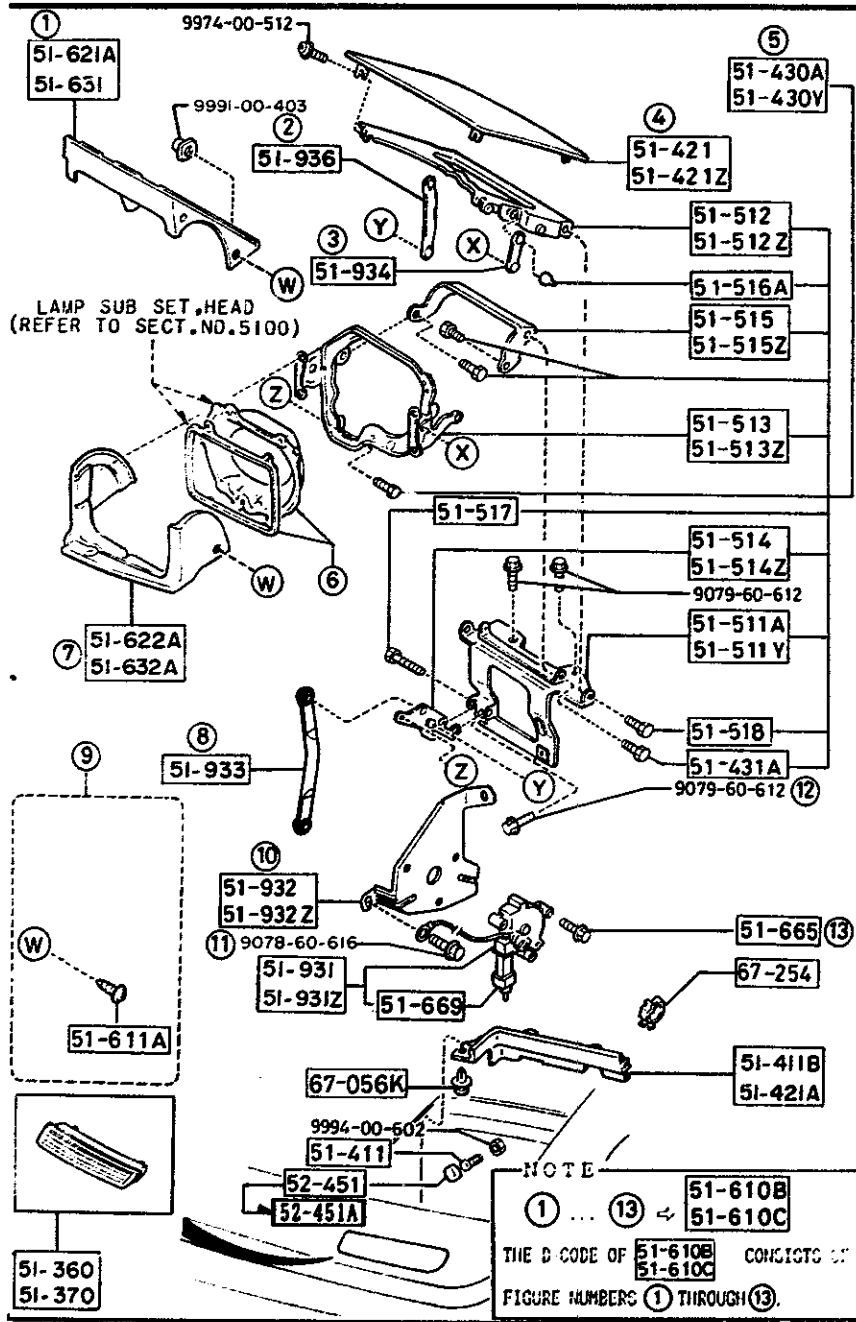
PART NO.	QTY	MODEL/RESTRICTION	MODEL/RESTRICTION	MODEL/RESTRICTION	FROM-TO
51-512Z		FRAME(L), LAMP LID			
FB01-51-522	1				
51-513		HOUSING(R), LAMP-LID HINGE			
FB01-51-5130	1				
51-513Z		HOUSING(L), LAMP-LID HINGE			
FB01-51-5230	1				
51-514		ARM(R), LOWER-LID HINGE			
FB01-51-514	1				-9101
FB01-51-514A	1				9101-
51-514Z		ARM(L), LOWER-LID HINGE			
FB01-51-524	1				-9101
FB01-51-524A	1				9101-
51-515		ARM(R), UPPER-LID HINGE			
FB01-51-515	1				
51-515Z		ARM(L), UPPER-LID HINGE			
FB01-51-525	1				
51-516A		CAP, HINGE-H.L. RETRACTABLE			
FB01-51-516	10				
51-517		BOLT, HINGE-H.L. RETRACTABLE			
FB01-51-517	2				
51-518		BOLT, HINGE-H.L. RETRACTABLE			
FB01-51-518	4				
51-610B		RETRACTOR SET(R), HEAD L.			
8AF2-51-610	1	USA, (W/O H.L. CLEANER)			
8AF3-51-610	1	NON USA,			
51-610C		RETRACTOR SET(L), HEAD L.			
8AF2-51-650	1	USA, (W/O H.L. CLEANER)			
8AF3-51-650	1	NON USA,			
9101 FC3NNN-700067					

CAT. AUFA02-06

1992-05

3-K 4

5103 HEAD LAMP RETRACTORS

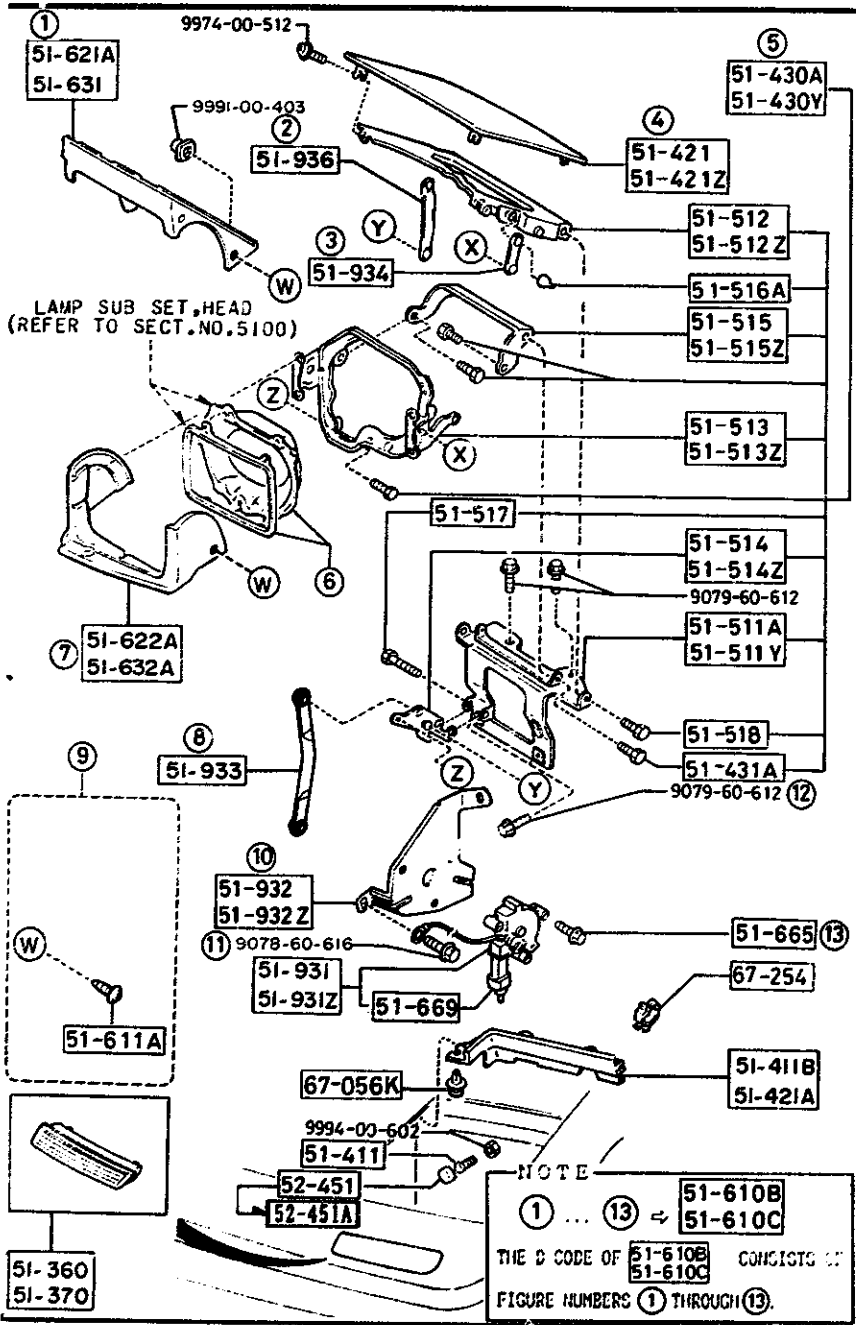


PART NO.	QTY	MODEL/RESTRICTION	MODEL/RESTRICTION	MODEL/RESTRICTION	FROM-TO
51-611A		SCREW, HEAD LAMP BEZEL			
FB01-51-611	12				
51-621A		BEZEL (R), HEAD LAMP-UPPER			
FB01-51-621A	1				
51-622A		BEZEL (R), HEAD LAMP-LOWER			
FB01-51-622A	1	USA, (W/O H.L. CLEANER)			
FB02-51-622A	1	NON USA,			
51-631		BEZEL (L), HEAD LAMP-UPPER			
FB01-51-631A	1				
51-632A		BEZEL (L), HEAD LAMP-LOWER			
FB01-51-632A	1	USA, (W/O H.L. CLEANER)			
FB02-51-632A	1	NON USA,			
51-665		BOLT, MOTOR-RETRACT H/LAMP			
FB01-51-665	6				
51-669		BOOTS, MOTOR-RETRACT H/L			
FB01-51-669	2				
51-931		MOTOR (R)			
FB01-51-66X	1				
51-931Z		MOTOR (L)			
FB01-51-67X	1				
51-932		BRACKET (R)			
FB01-51-662A	1				
51-932Z		BRACKET (L)			
FB01-51-672A	1				
51-933		ROD, MOTOR			
FB01-51-664A	2				
51-934		ROD 'A'			

CAT. AUFA02-06

1992-05

5103 HEAD LAMP RETRACTORS



PART NO.	QTY	MODEL/RESTRICTION	MODEL/RESTRICTION	MODEL/RESTRICTION	FROM-TO
CONT'D					
F801-51-651A	2				
51-936		ROD *B*			
F801-51-652A	2				
52-451		CUSHION			
0866-52-451	2				-9101
52-451A		RUBBER, CUSHION			9101-
H001-51-513	2				
67-056K		RIVET			
UB39-50-795	6				
67-254		CLIP, CABLE			
S113-67-254A	2				-9120
FC04-51-674	2				9120-
9101 FC3NNN-700067					
9120 FC3NNN-700643					

M-10

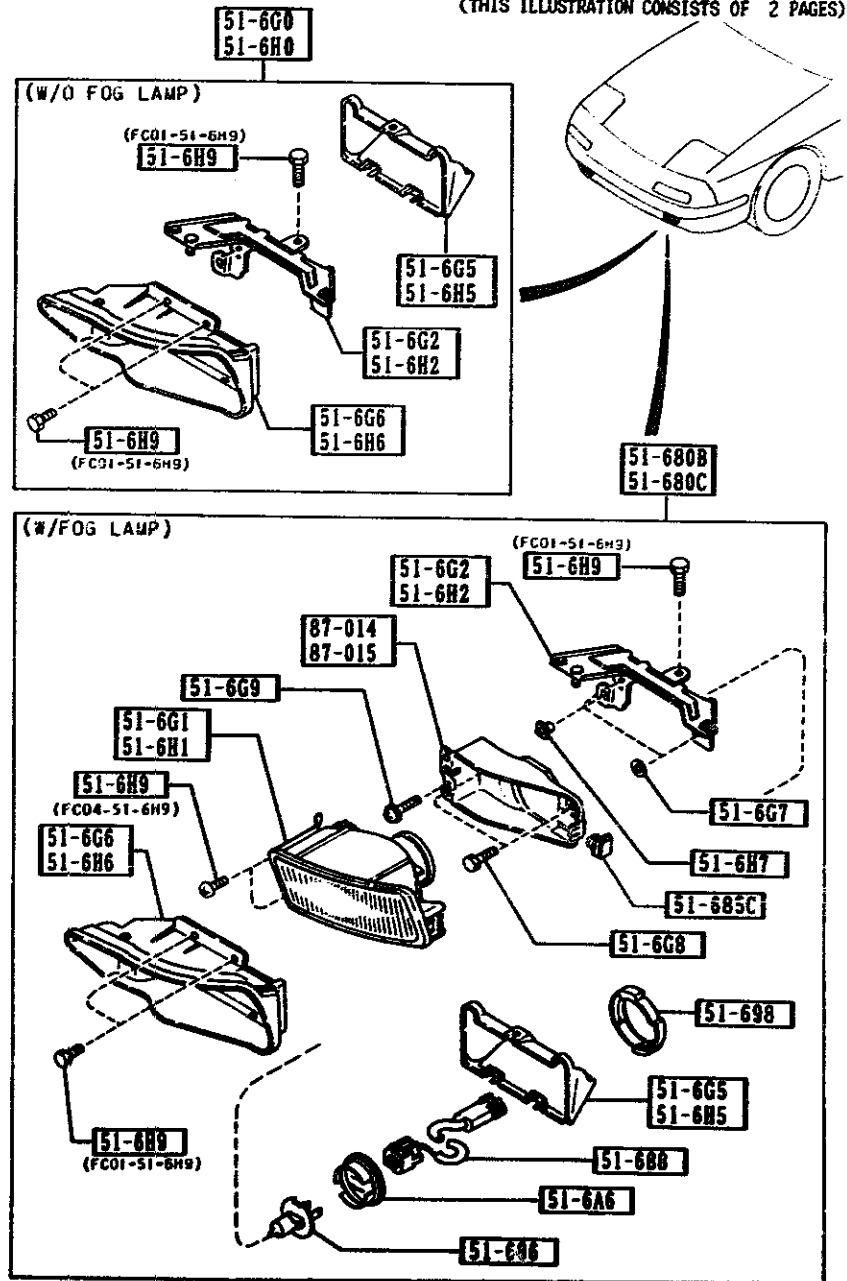
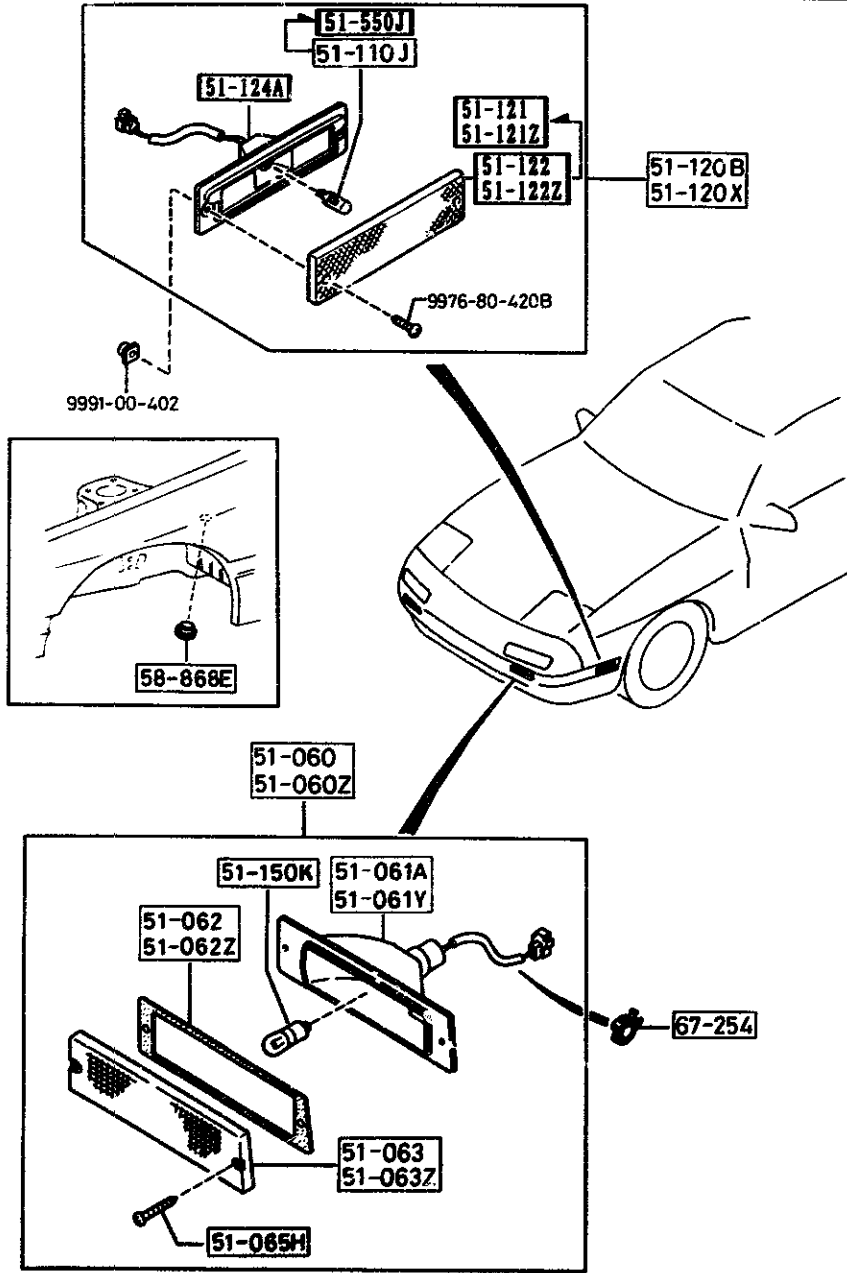
2-05

AUFA02

CAT. AUFA02-06

1992-05

3-M 4

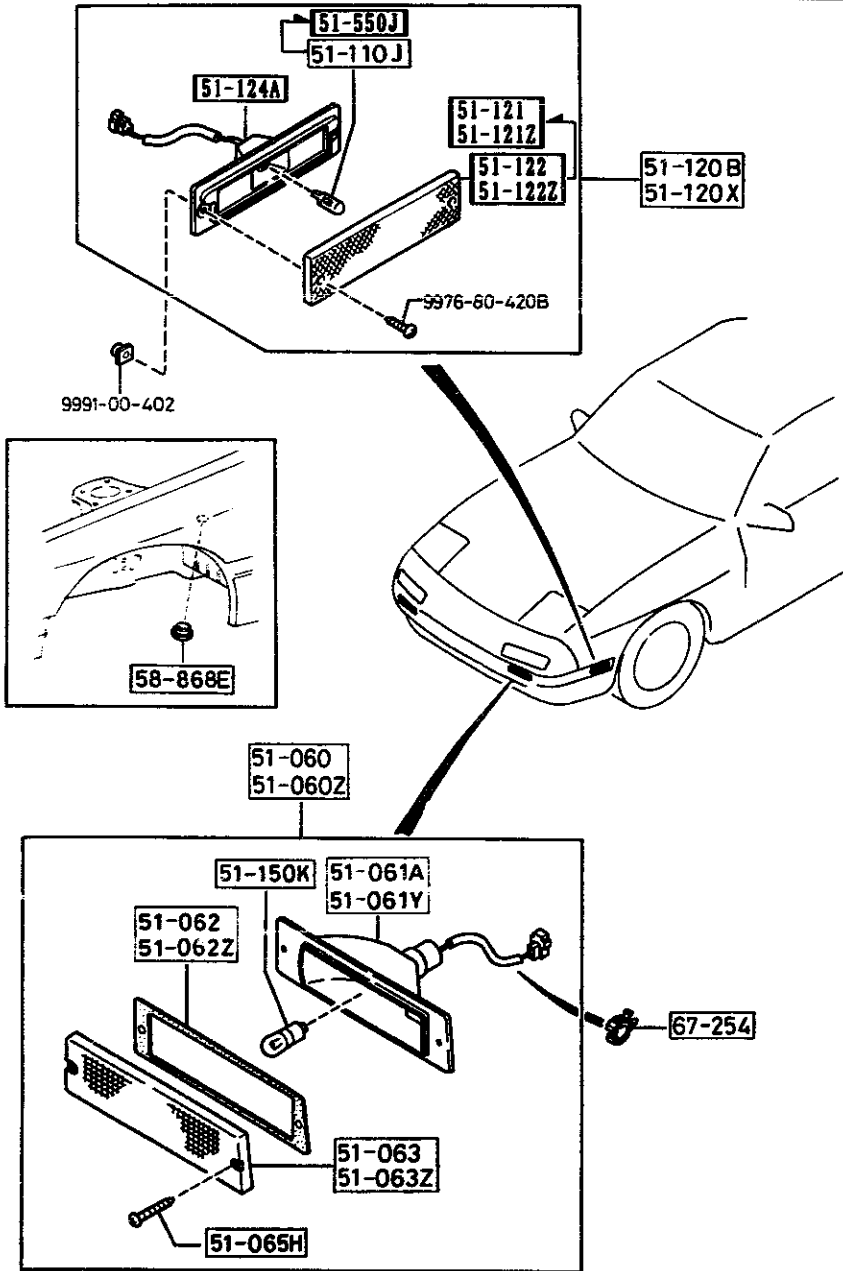


SECTION NAME INDEX (BODY)1/2

LO.NO	SEC.NO	SECTION NAME	LO.NO	SEC.NO	SECTION NAME	LO.NO	SEC.NO	SECTION NAME
3-C03	0900	KEY SETS	3-J09	5390	FLOOR ATTACHMENTS			
3-F03	5000	FRONT BUMPER	3-C10	5500	DASHBOARD EQUIPMENTS			
3-H03	5010	REAR BUMPER	3-F10	5520	METER HOOD			
3-J03	5020	HEAD LAMP CLEANER	3-G10	5530	SPEEDOMETER CABLE			
3-L03	5030	WINDOW MOULDINGS	3-H10	5540	METER COMPONENTS			
3-M03	5040	BODY MOULDINGS (COUPE)	3-J10	5560	DASHBOARD & RELATED PARTS			
3-E04	5060	SIDE PROTECTORS	3-E11	5570	CONSOLE			
3-I04	5100	HEAD LAMPS	3-H11	5580	VENTILATOR			
3-J04	5103	HEAD LAMP RETRACTORS	3-J11	5700	FRONT SEATS (COUPE)			
3-N04	5105	FRONT COMBINATION LAMPS	3-E13	5700A	FRONT SEATS (CONVERTIBLE)			
3-G05	5110	REAR COMBINATION LAMPS	3-K13	5750	REAR SEATS (COUPE)			
3-K05	5120	LICENSE LAMPS	3-M13	5790	SEAT BELTS (COUPE)			
3-M05	5125	INTERIOR LAMPS	3-M13	5790	SEAT BELTS (COUPE)			
3-N05	5130	OVERHEAD CONSOLE	3-M13	5790A	SEAT BELTS (CONVERTIBLE)			
3-C06	5170	ORNAMENTS	3-D11	5800	FRONT DOORS (COUPE)			
3-D06	5180	COWL & EXTRACTOR GRILLES	3-G14	5800A	FRONT DOORS (CONVERTIBLE)			
3-G06	5230	BONNET	3-K14	5830	FRONT DOOR MECHANISMS (COUPE)			
3-J06	5260	TRUNK LID (CONVERTIBLE)	3-F15	5830A	FRONT DOOR MECHANISMS (CONVERTIBLE)			
3-L06	5310	BODY PANELS (FRONT) (COUPE)	3-J15	5840	FRONT DOOR TRIMS & RELATED PARTS (COUPE)			
3-C07	5310 A	BODY PANELS (FRONT) (CONVERTIBLE)	3-H16	5840A	FRONT DOOR TRIMS & RELATED PARTS (CONVERTIBLE)			
3-F07	5320	BODY PANELS (FENDER & WHEEL ARCH)						
3-K07	5330	BODY PANELS (DASH & COWL PANEL)						
3-L07	5340	BODY PANELS (SIDE) (COUPE)						
3-E08	5340A	BODY PANELS (SIDE) (CONVERTIBLE)						
3-K08	5360	BODY PANELS (ROOF) (W/O SUN ROOF)						
3-L08	5360 A	BODY PANELS (ROOF) (SUN ROOF)						
3-M08	5370	BODY PANELS (FLOOR) (COUPE)						
3-D09	5370 A	BODY PANELS (FLOOR) (CONVERTIBLE)						
3-H09	5380	FLOOR ATTACHMENTS (HOLE COVERS)						

CATLOG-NO= AUF02-06

DATE. 1992-05



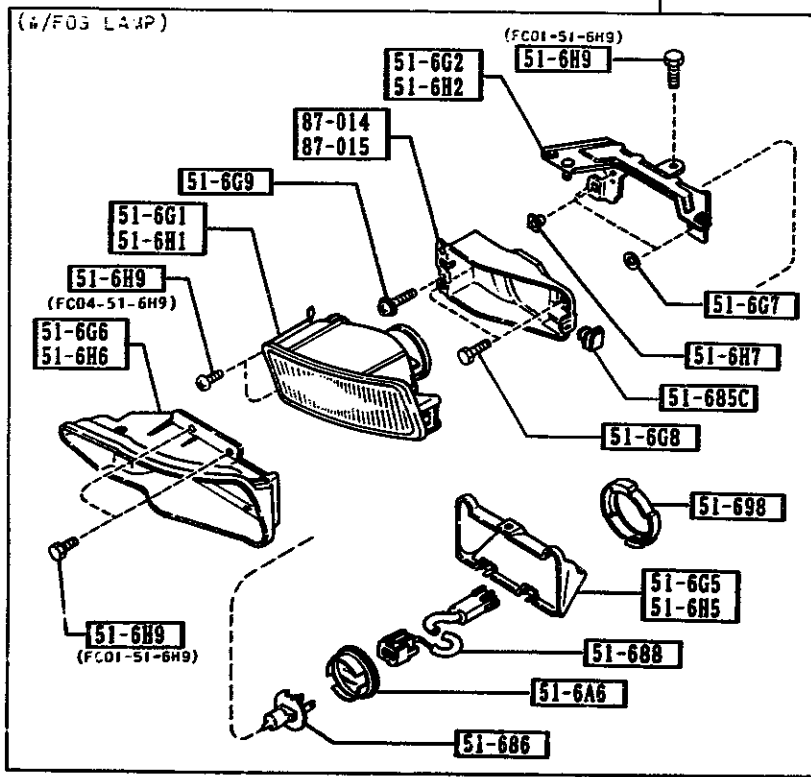
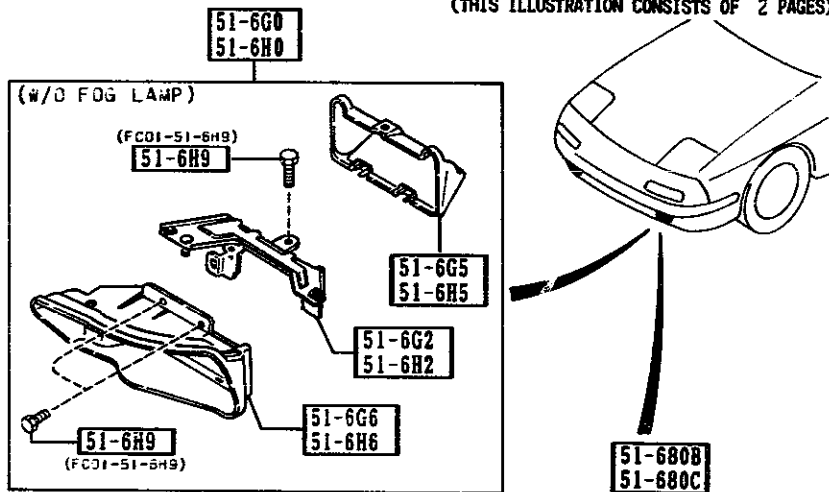
PART NO.	QTY	MODEL/RESTRICTION	MODEL/RESTRICTION	MODEL/RESTRICTION	FROM-TO
51-060		LAMP SET(R),FRT COMB			
8BF4-51-060	1				
51-060Z		LAMP SET(L),FRT COMB			
8BF4-51-070	1				
51-061A		HOUSING(R),F.COMB.			
FC01-51-062	1				
51-061Y		HOUSING(L),F.COMB.			
FC01-51-072	1				
51-062		GASKET(R),F.COMB.			
FC01-51-066	1				
51-062Z		GASKET(L),F.COMB.			
FC01-51-076	1				
51-063		LENS(R),FRT COMB.			
FC01-51-061	1				
51-063Z		LENS(L),FRT COMB.			
FC01-51-071	1				
51-065H		SCREW,TAPPING			
FC01-51-065	4				
51-110J		BULB			
99701-6038	2	12V 3.8W			-9701
51-120B		LAMP SET(R),SIDE TUR			
8BF1-51-120	1				-9701
8BF5-51-120	1				9701-
51-120X		LAMP SET(L),SIDE TUR			
8BF1-51-130	1				-9701
8BF5-51-130	1				9701-
51-121		LENS & BODY(R)			
FC01-51-5E1	1				9701-

9701 FC3XXX-709151

5105 FRONT COMBINATION LAMPS

(2/2)

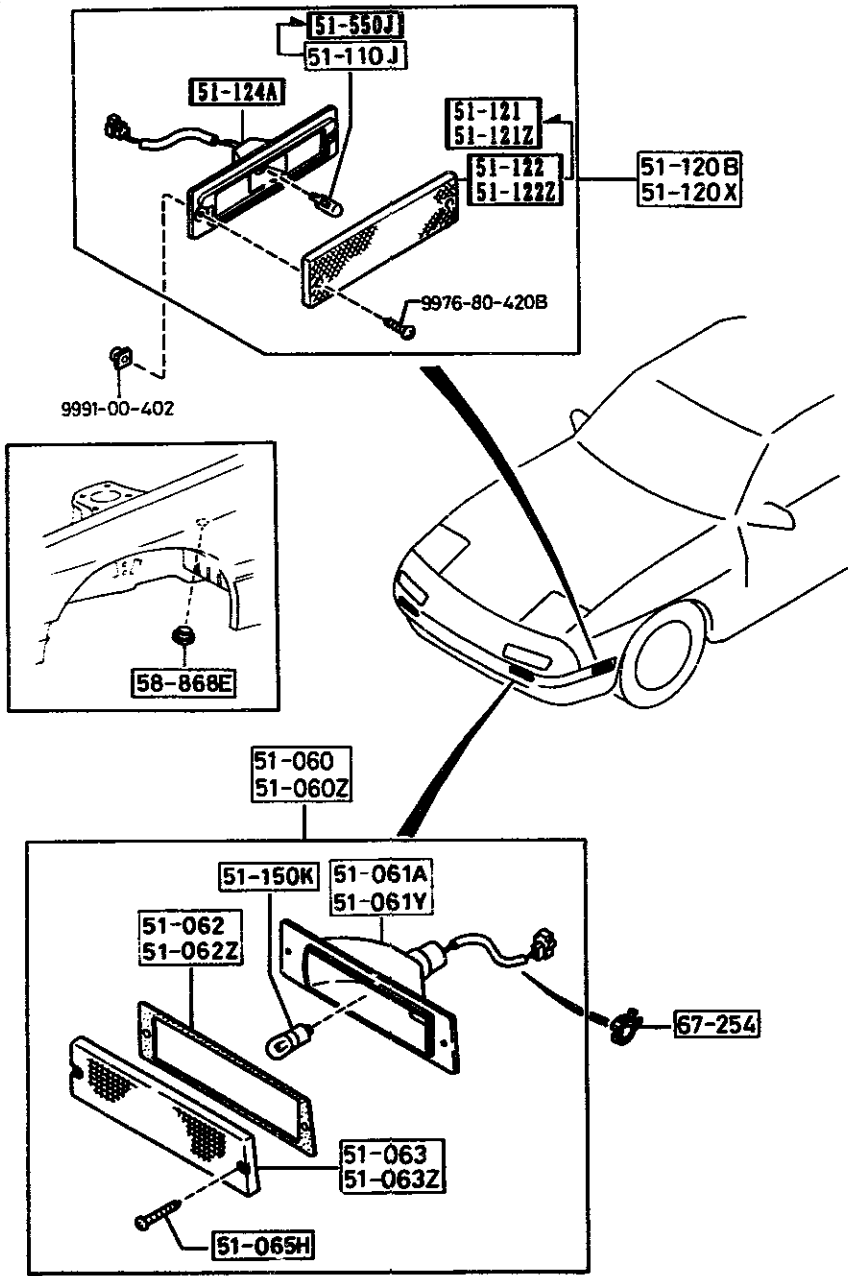
(THIS ILLUSTRATION CONSISTS OF 2 PAGES)



5105 -2 FRONT COMBINATION LAMPS

PART NO.	QTY	MODEL/RESTRICTION	MODEL/RESTRICTION	MODEL/RESTRICTION	FROM-TO
51-121Z		LENS & BODY(L)			
FC01-51-5F1	1				9701-
51-122		LENS(R),SIDE TURN			
FB01-51-123	1				-9701
51-122Z		LENS(L),SIDE TURN			
FB01-51-133	1				-9701
51-124A		SOCKET,SIDE TURN			
FC01-51-5E2	2				9701-
51-150K		BULB			
99701-4278Y	2	A12V 27/8W			
51-550J		BULB			
99701-604C	2	12V 3.8W			9701-
51-6A6		COVER,SOCKET-F.FOG L AMP			
FC04-51-6G4	2	GXL, TURBO, CONV, (W/FOG LAMP)			
51-6G0		DUCT(R),AIR			
FC01-51-6G0A	1	GTU, GTUS, (W/O FOG LAMP)			
51-6G1		UNIT(R),FOG LAMP			
FC04-51-6G1	1	GXL, TURBO, CONV, (W/FOG LAMP)			
51-6G2		HIUSING(R),FOG LAMP			
FC01-51-6G2	1	GTU, GTUS, (W/O FOG LAMP)			
FC04-51-6G2	1	GXL, TURBO, CONV, (W/FOG LAMP)			
51-6G5		DUCT(R), 'B' AIR			
FC04-51-6G5	1				
51-6G6		DUCT(R), 'A' AIR			
FC04-51-6G6A	1				

9701 FCSMXX-709151

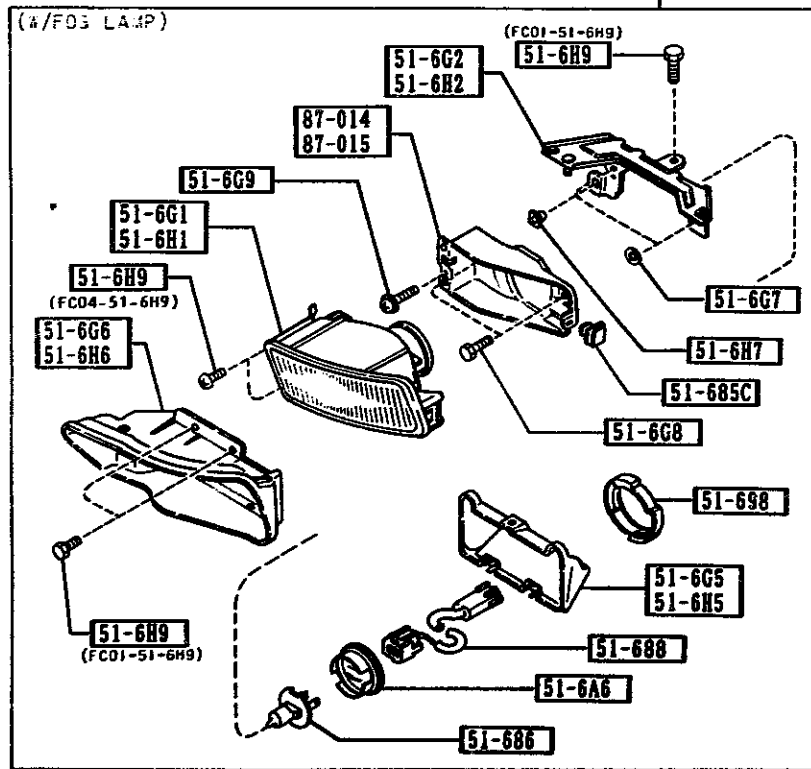
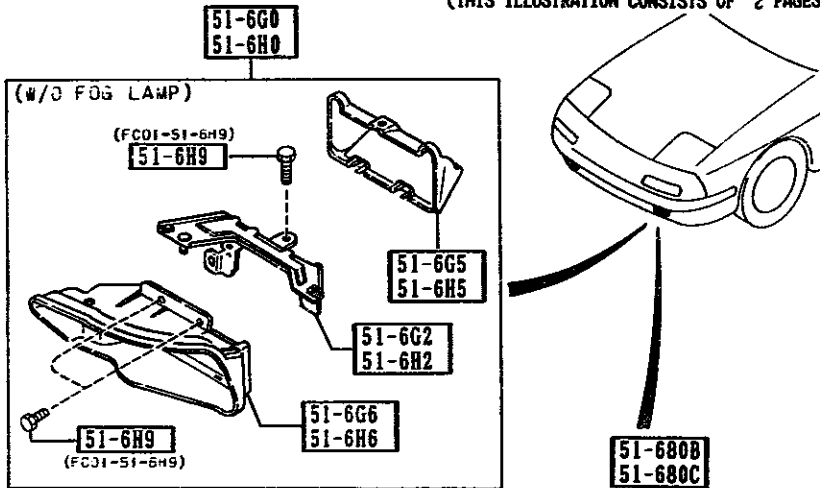


PART NO.	QTY	MODEL/RESTRICTION	MODEL/RESTRICTION	MODEL/RESTRICTION	FROM-TO
51-667		RUBBER, MOUNT			
FC04-51-667	4	GXL, TURBO, CONV., (W/FOG LAMP)			
51-668		BOLT, SPECIAL			
FC04-51-668	4	GXL, TURBO, CONV., (W/FOG LAMP)			
51-669		SCREW, ADJUST			
FC04-51-669	2	GXL, TURBO, CONV., (W/FOG LAMP)			
51-6H0		DUCT(L), AIR			
FC01-51-6H0A	1	GTU, GTUS, (W/O FOG LAMP)			
51-6H1		UNIT(L), FOG LAMP			
FC04-51-6H1	1	GXL, TURBO, CONV., (W/FOG LAMP)			
51-6H2		HOUSING(L), FOG LAMP			
FC01-51-6H2	1	GTU, GTUS, (W/O FOG LAMP)			
FC04-51-6H2	1	GXL, TURBO, CONV., (W/FOG LAMP)			
51-6H5		DUCT(L), AIR			
FC04-51-6H5	1				
51-6H6		DUCT(L), 'A' AIR			
FC04-51-6H6A	1				
51-6H7		SCREW, GROMMET			
FC04-51-6H7	2	GXL, TURBO, CONV., (W/FOG LAMP)			
51-6H9		SCREW SET			
FC01-51-6H9	6				
FC04-51-6H9	4	GXL, TURBO, CONV., (W/FOG LAMP)			
51-680B		LAMP(R), F. FOG			
FC04-51-680A	1	GXL, TURBO, CONV., (W/FOG LAMP)			

5105 FRONT COMBINATION LAMPS

(2/2)

(THIS ILLUSTRATION CONSISTS OF 2 PAGES)



5105 -4 * FRONT COMBINATION LAMPS

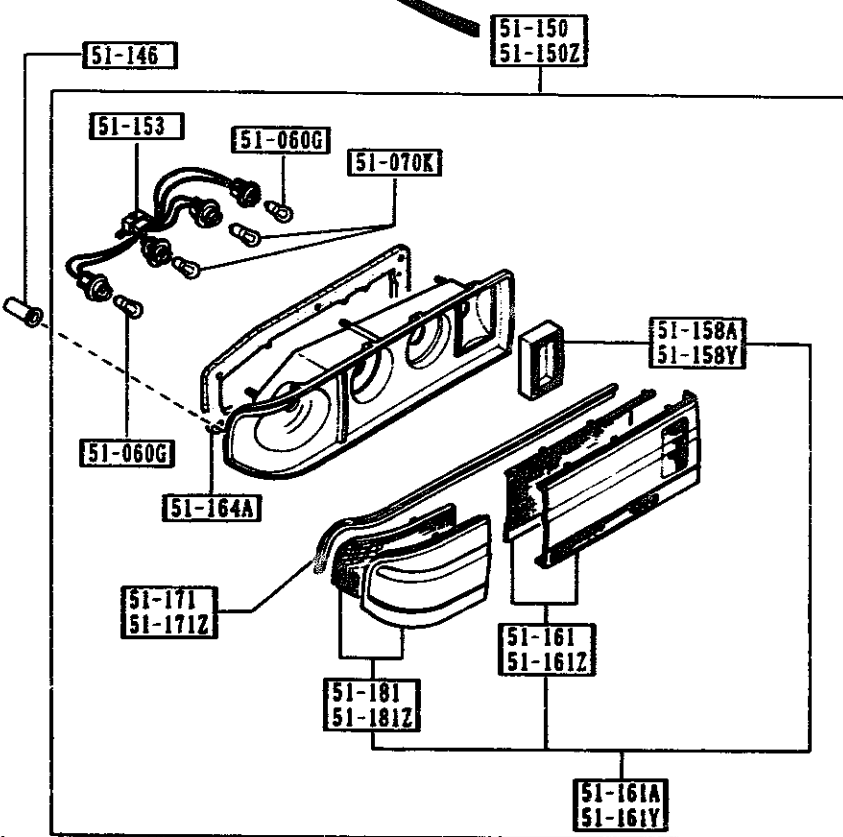
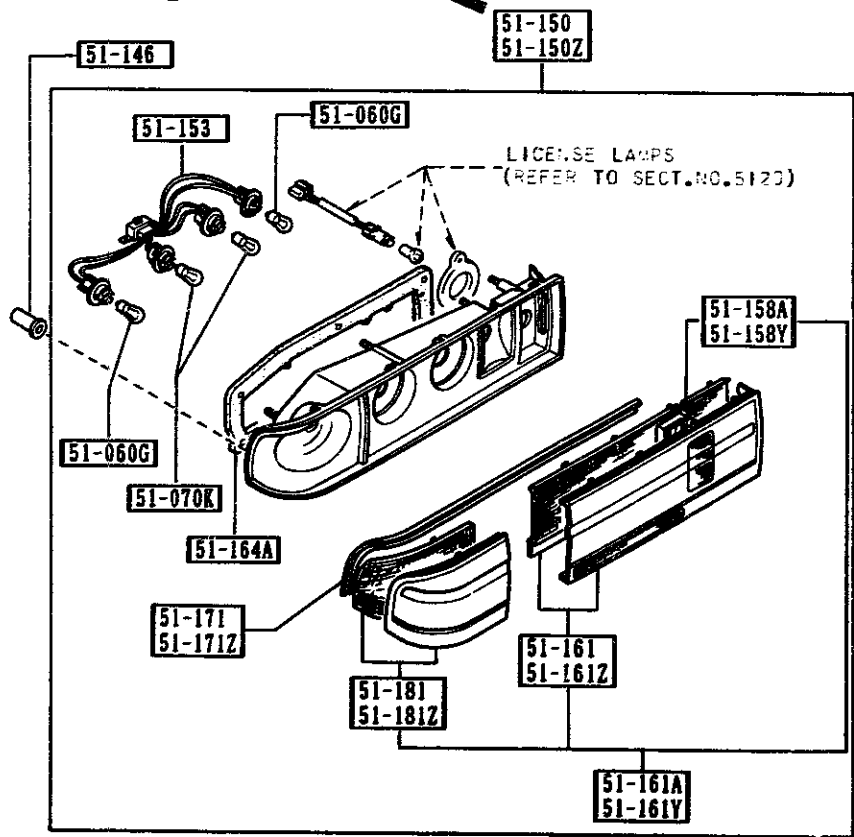
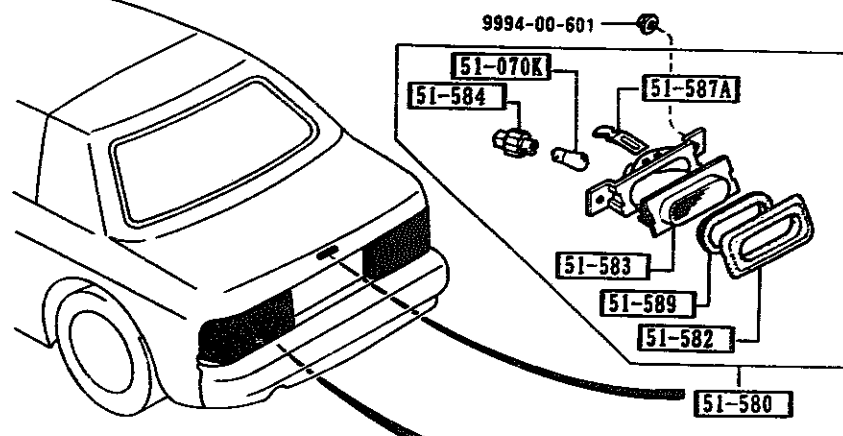
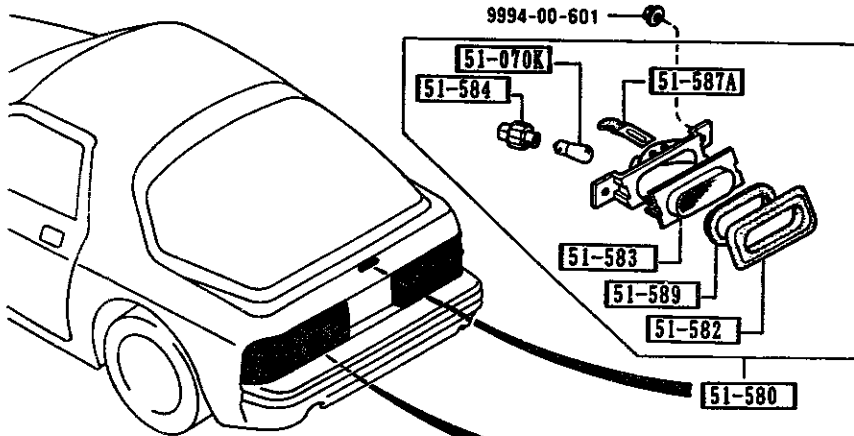
PART NO.	QTY	MODEL/RESTRICTION	MODEL/RESTRICTION	MODEL/RESTRICTION	FROM-TO
51-680C		LAMP(L), F.FOG			
FC04-51-690A	1	GXL, TURBO, CONV, (W/FOG LAMP)			
51-685C		CLIP			
FC04-51-685	2	GXL, TURBO, CONV, (W/FOG LAMP)			
51-686		BULB, FRONT FOG LAMP			
FC04-51-675	2	GXL, TURBO, CONV, (W/FOG LAMP)			
51-688		CORD, FRONT FOG LAMP			
FC04-51-688A	2	GXL, TURBO, CONV, (W/FOG LAMP)			
51-698		CAP, LOCKING			
FC04-51-698	2	GXL, TURBO, CONV, (W/FOG LAMP)			
58-868E		PLUG, SERVICE COVER			
0559-58-868	2				-9823
67-254		CLIP, CABLE			
S113-67-254A	2				-9120
FC04-51-674	2				9120-
87-014		RING(R) MOUNTING			
FC04-51-683	1	GXL, TURBO, CONV, (W/FOG LAMP)			
87-015		RING(L) MOUNTING			
FC04-51-6H3	1	GXL, TURBO, CONV, (W/FOG LAMP)			
9120 FC3***-7C0643					
9823 FC3***-801679					

(CPE)

(THIS ILLUSTRATION CONSISTS OF 2 PAGES)

(CONVERTIBLE)

(THIS ILLUSTRATION CONSISTS OF 2 PAGES)



AUFA02

(CONT'D)

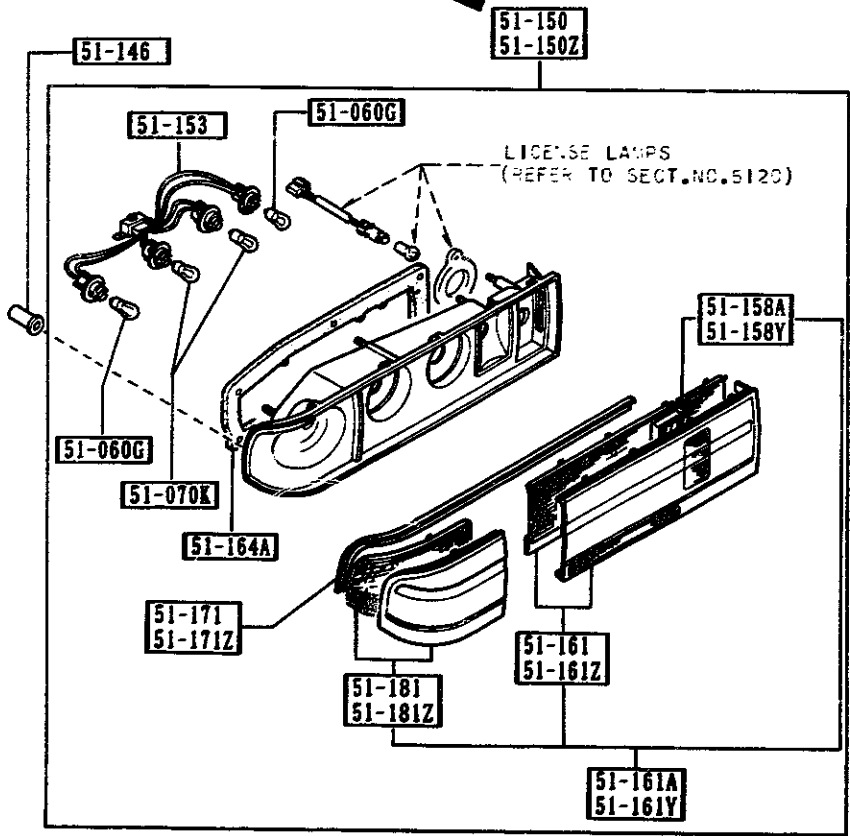
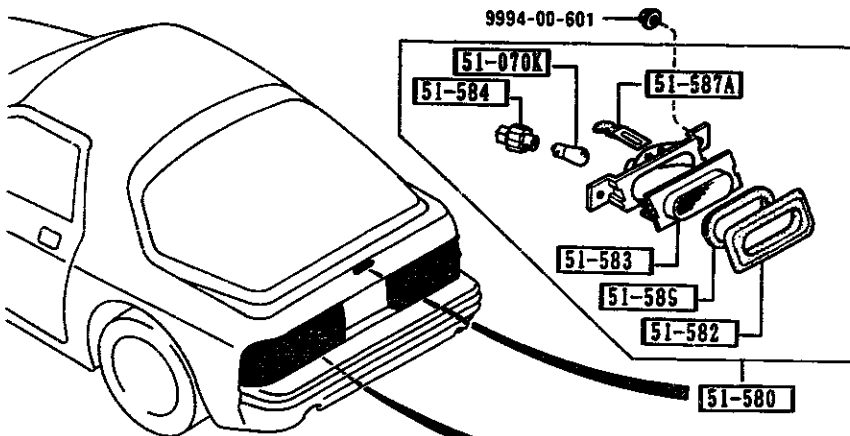
AUFA02

5110 REAR COMBINATION LAMPS

(1/2)

(CPE)

(THIS ILLUSTRATION CONSISTS OF 2 PAGES)



5110 -1 REAR COMBINATION LAMPS

PART NO.	QTY	MODEL/RESTRICTION	MODEL/RESTRICTION	MODEL/RESTRICTION	FROM-TO
51-060G		BULB			
99701-4278	4	12V 27W/8W			
51-070K		BULB			
99701-3270	5	12V 27W			
51-146		GROMMET, SCREW-R. COMB.			
FB01-51-141	2	(CPE)			
FB67-51-141	2	(CONVERTIBLE)			
51-150		LAMP SET(R), RR. COMB.			
8BFA-51-150	1	(CPE)			
8BFB-51-150	1	(CONVERTIBLE)			
51-150Z		LAMP SET(L), RR. COMB.			
8BFA-51-160	1	(CPE)			
8BFB-51-160	1	(CONVERTIBLE)			
51-153		SOCKET, RR. COMB.			
FC01-51-155	2				
51-158A		SHADE(R), REAR COMB. LAMP			
FC01-51-161	1	(CPE)			
FC33-51-161	1	(CONVERTIBLE)			
51-158Y		SHADE(L), REAR COMB. LAMP			
FC01-51-1H1	1	(CPE)			
FC33-51-1H1	1	(CONVERTIBLE)			
51-161		LENS(R), RR. COMB.			
FC01-51-151	1				-9401
AN(FC01-51-151A)					
FC33-51-151	1				-9401
AN(FC33-51-151A)					
FC01-51-151A	1	(CPE)			9401-
FC33-51-151A	1	(CONVERTIBLE)			9401-
51-161A		LENS & BODY(R), RR CO MB.			
FC01-51-170	1				-9401
9401 FC3MKN-705390					

AUFA02

(CONT'D)

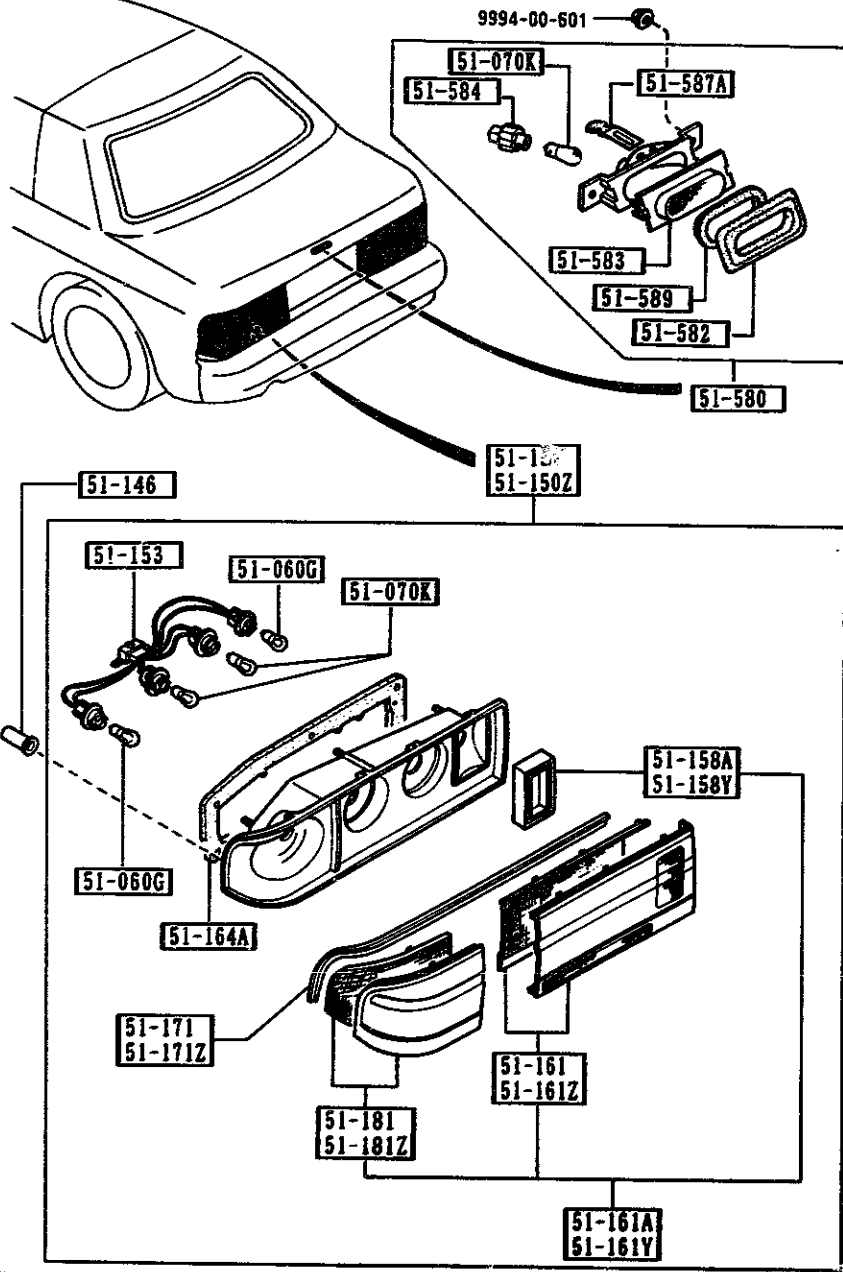
CAT. AUFA02-06

1992-05

3-H 5

(CONVERTIBLE)

(THIS ILLUSTRATION CONSISTS OF 2 PAGES)



PART NO.	QTY	MODEL/RESTRICTION	MODEL/RESTRICTION	MODEL/RESTRICTION	FROM-TO
CONT'D AN(FC01-51-170A)					
FC33-51-170 AN(FC33-51-170A)	1				-9401
FC01-51-170A	1	(CPE)			9401-
FC33-51-170A	1	(CONVERTIBLE)			9401-
51-161Y		LENS & BODY(L),RR CO MB.			
FC01-51-180 AN(FC01-51-180A)	1				-9401
FC33-51-180 AN(FC33-51-180A)	1				-9401
FC01-51-180A	1	(CPE)			9401-
FC33-51-180A	1	(CONVERTIBLE)			9401-
51-161Z		LENS(L),RR.COMB.			
FC01-51-161 AN(FC01-51-161A)	1				-9401
FC33-51-161 AN(FC33-51-161A)	1				-9401
FC01-51-161A	1	(CPE)			9401-
FC33-51-161A	1	(CONVERTIBLE)			9401-
51-164A		GASKET,RR.COMB.			
FB01-51-156	2				
51-171		PROTECTOR(R),RR.COMB			
FC01-51-159 AN(FC01-51-159A)	1				-9401
FC33-51-159 AN(FC33-51-159A)	1				-9401
FC01-51-159A	1	(CPE)			9401-
FC33-51-159A	1	(CONVERTIBLE)			9401-
51-171Z		PROTECTOR(L),RR.COMB			
FC01-51-169 AN(FC01-51-169A)	1				-9401
FC33-51-169 AN(FC33-51-169A)	1				-9401
FC01-51-169A	1	(CPE)			9401-
FC33-51-169A	1	(CONVERTIBLE)			9401-
9401 FC3NNN-705390					

AUFA02

CAT. AUFA02-06

1992-05

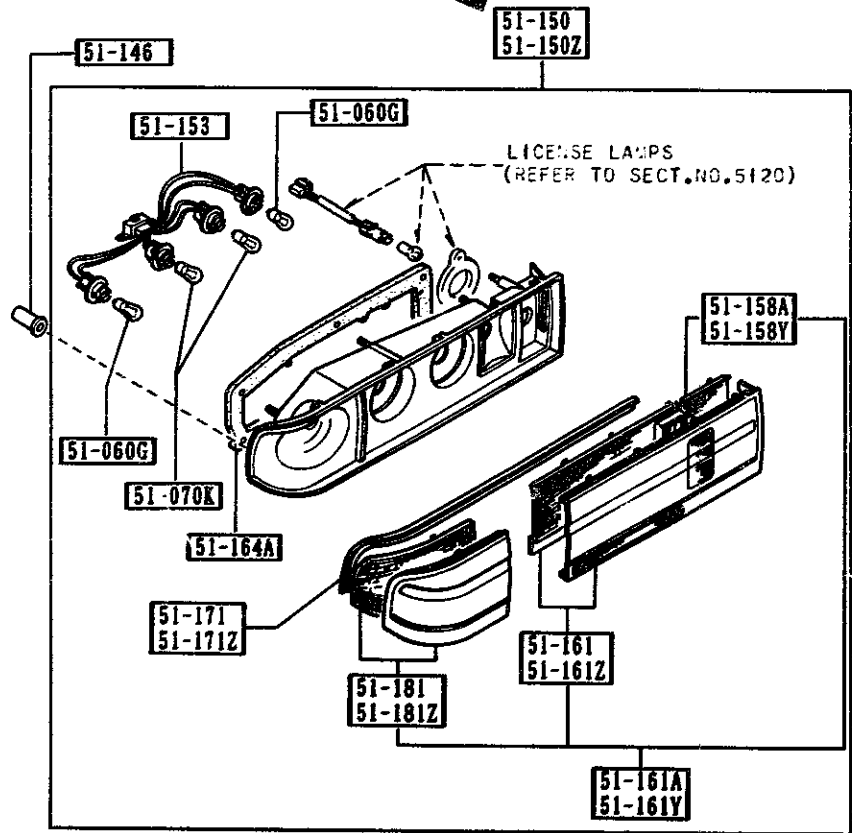
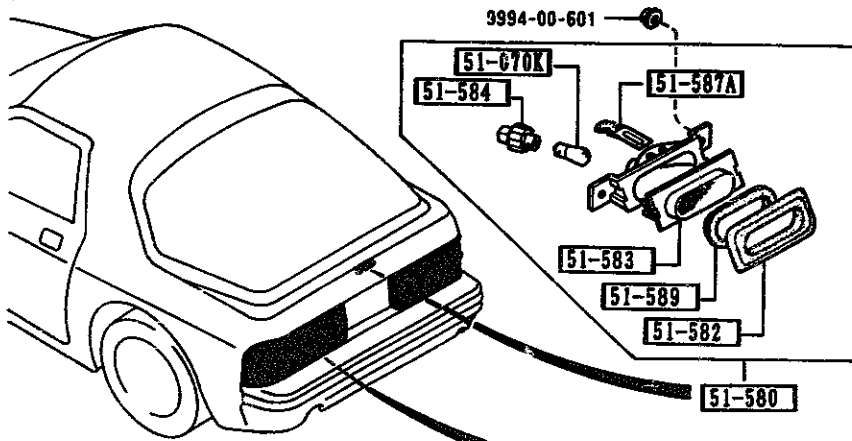
5110 REAR COMBINATION LAMPS

5110 -3 X REAR COMBINATION LAMPS

(1/2)

(CPE)

(THIS ILLUSTRATION CONSISTS OF 2 PAGES)



PART NO.	QTY	MODEL/RESTRICTION	MODEL/RESTRICTION	MODEL/RESTRICTION	FROM-TO
51-181		LENS NO.2(R),RR.COMB			
FC01-51-152 A (FC01-51-152A)	1				-9301
FC01-51-152A	1				9301-
51-181Z		LENS NO.2(L),RR.COMB			
FC01-51-162 A (FC01-51-162A)	1				-9301
FC01-51-162A	1				9301-
51-580		LAMP,STOP-HI.MOUNT.			
FB01-51-580B	1				
51-582		GASKET,STOP LAMP-HI. MOUNT			
FB01-51-582A	1				
51-583		LENS,STOP LAMP-HI.MO UNT			
FB01-51-583A	1				
51-584		SOCKET,STOP LAMP-HI. MOUNT			
FB01-51-584A	1				
51-587A		CLIP,STOP LAMP-HI. M OUNT			
FB01-51-587	1				
51-589		PROTECTOR,STOP LAMP- HI.MO			
FB01-51-586	1				

9301 FC3RHX-706194

AUFA02

(CONT'D)

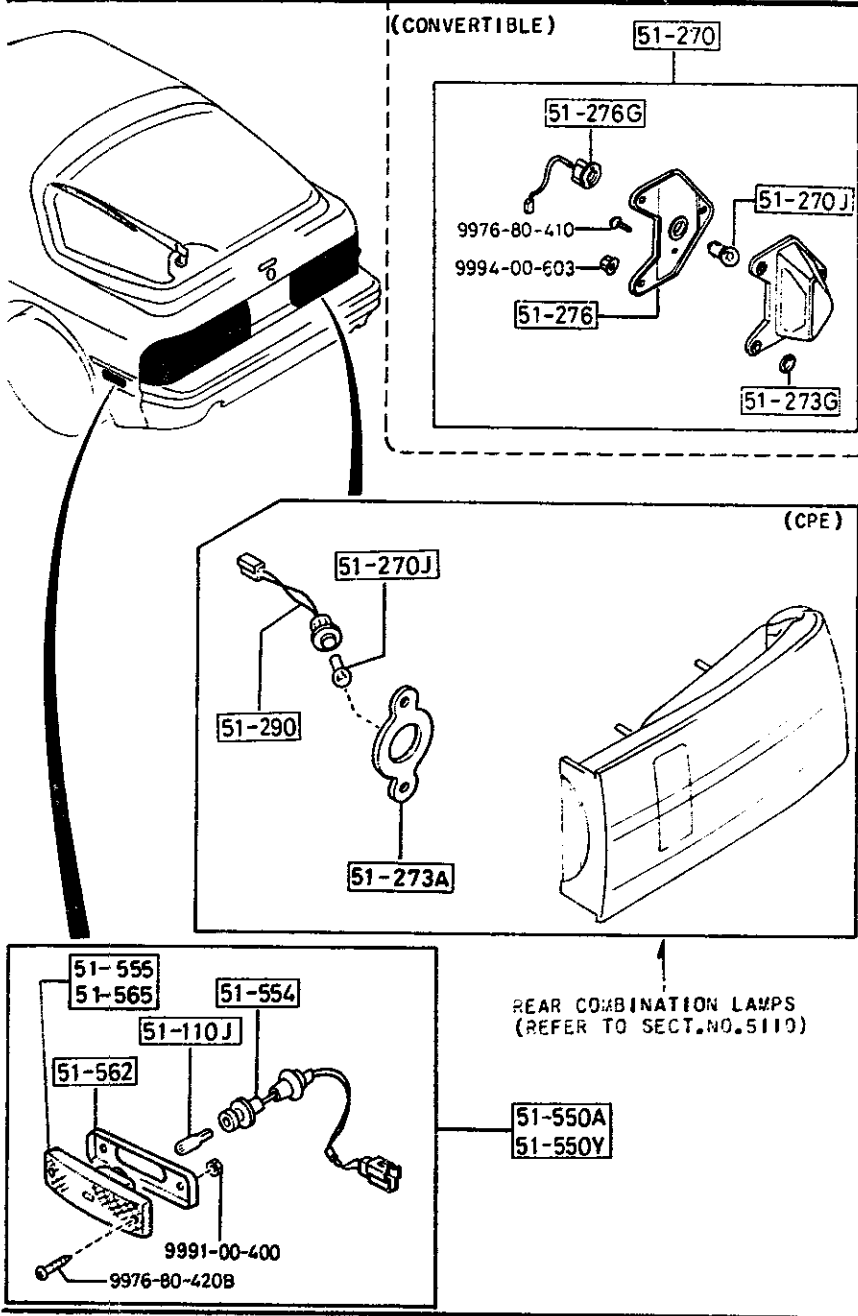
CAT. AUFA02-06

1992-05

3-J 5

5120 LICENSE LAMPS

5120 -1 LICENSE LAMPS



PART NO.	QTY	MODEL/RESTRICTION	MODEL/RESTRICTION	MODEL/RESTRICTION	FROM-TO
51-110J		BULB			
99701-6038	2	12V 3.8W			
51-270		LAMP, LICENSE			
88F1-51-270	2	(CONVERTIBLE)			
51-270J		BULB			
99701-2070	2	12V 7.5W			
51-273A		GASKET, LICENSE			
F801-51-157	2	(CPE)			
51-273G		GASKET, LICENSE LAMP			
F867-51-273	2	(CONVERTIBLE)			
51-276		SHADE, LAMP-LICENSE			
F867-51-276	2	(CONVERTIBLE)			
51-276G		SOCKET, LICENSE LAMP			
F867-51-272	2	(CONVERTIBLE)			
51-290		CORD, LICENSE LAMP			
F801-51-172	2	(CPE)			
51-550A		LAMP(R), SIDE TURN-RR			
88F1-51-550	1				
51-550Y		LAMP(L), SIDE TURN-RR			
88F1-51-560	1				
51-554		SOCKET, RR SIDE TURN LAMP			
F801-51-554	2				
51-555		UNIT(R), SIDE TURN-RR			
F801-51-555	1				
51-562		GASKET, RR, SIDE TURN			
F801-51-552A	2				

AUFA02

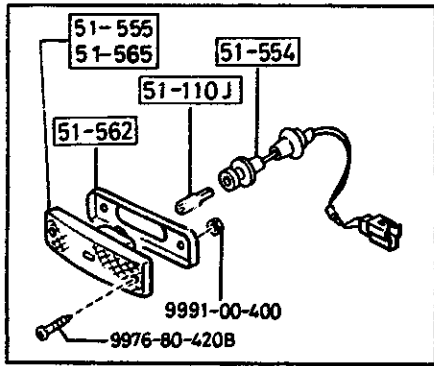
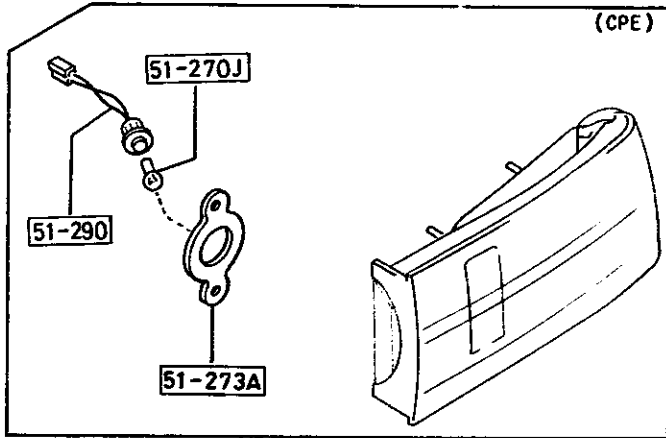
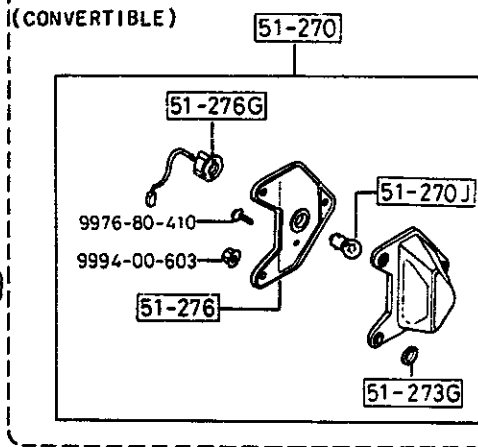
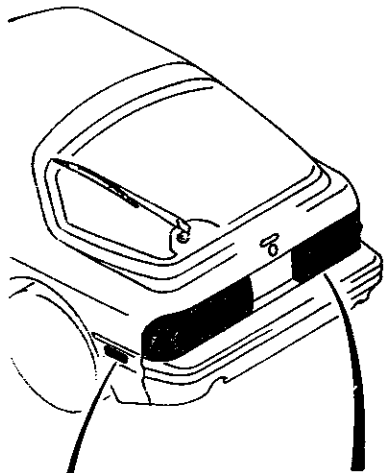
CAT. AUFA02-06

1992-05

3-K 5

5120 LICENSE LAMPS

5120 -2 * LICENSE LAMPS



REAR COMBINATION LAMPS
(REFER TO SECT.NO.5110)

51-550A
51-550Y

PART NO.	QTY	MODEL/RESTRICTION	MODEL/RESTRICTION	MODEL/RESTRICTION	FROM-TO
51-565 F801-51-565	1	UNIT(L),SIDE TURN-RR			

AUFA02

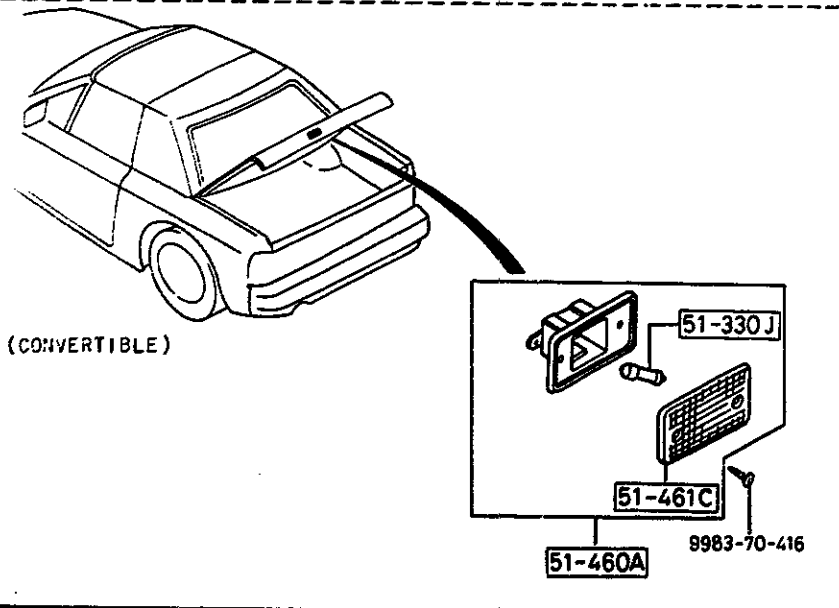
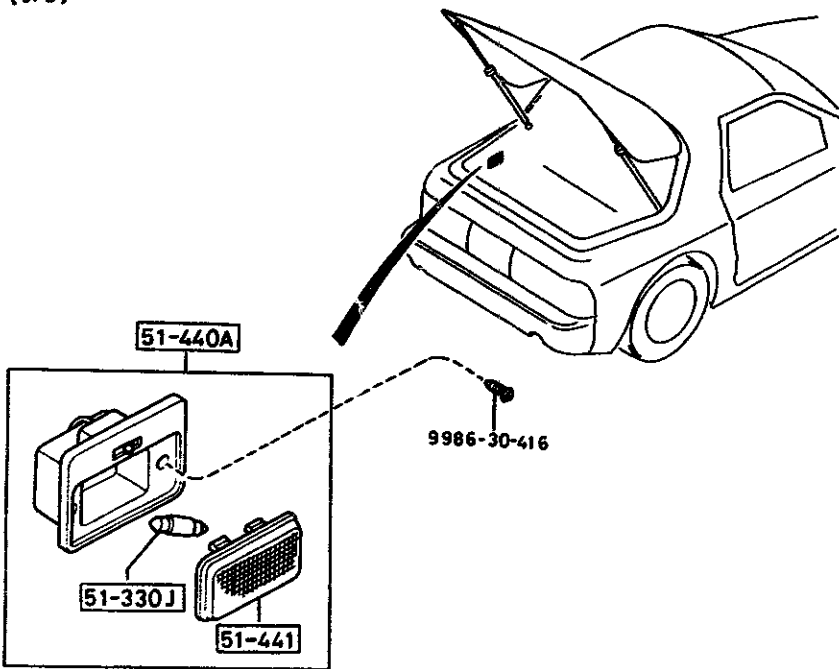
CAT. AUFA02-06

1992-05

3-L 5

5125 INTERIOR LAMPS

(CPE)



5125 -1 * INTERIOR LAMPS

PART NO.	QTY	MODEL/RESTRICTION	MODEL/RESTRICTION	MODEL/RESTRICTION	FROM-TO
51-330J	1	BULB			
99701-5050	1	12V 5W			
51-440A	1	LAMP,CARGO ROOM			
FC01-51-440	1	(CPE)			
02		FD8 FD9 FE0 BLACK			
51-441	1	LENS			
FC01-51-441	1	(CPE)			
51-460A	1	LAMP,COURTESY			
8545-51-460	1	(CONVERTIBLE)			
51-461C	1	LENS,COURTESY			
8545-51-461	1	(CONVERTIBLE)			

AUFA02

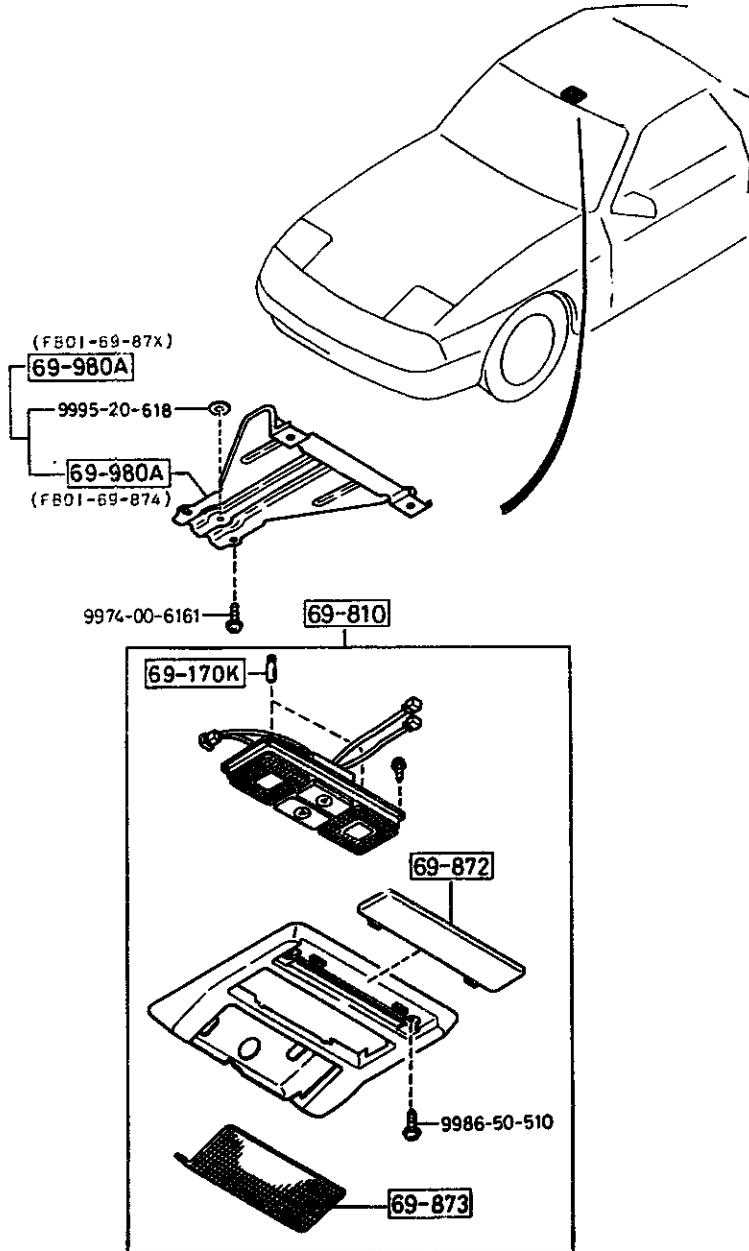
CAT. AUFA02-06

1992-05

3-M 5

5130 OVERHEAD CONSOLE

5130 -1 * OVERHEAD CONSOLE



PART NO.	QTY	MODEL/RESTRICTION	MODEL/RESTRICTION	MODEL/RESTRICTION	FROM-TO
69-170K		BULB, INTERIOR MIRROR			
99701-6050	2	12V 5W			
69-810		CONSOLE, OVERHEAD			
FB01-69-870A	1	NON USA,			
02		FD8 FE1 BLACK			
19		FE0 RED			
48		FD9 BLUE			
FB02-69-870A	1	(W/O SUN-RF)			
02		FD8 FE1 BLACK			
19		FE0 RED			
48		FD9 BLUE			
FB03-69-870A	1	(SUNROOF)			
02		FD8 FE1 BLACK			
19		FE0 RED			
48		FD9 BLUE			
69-872		COVER, OVER HEAD CONSOLE			
FB01-69-872	1				
02		FD8 FE1 BLACK			
19		FE0 RED			
48		FD9 BLUE			
69-873		LENS, ROOM LAMP-HEAD CONSOLE			
FB01-69-873	1				
69-980A		BRACKET, O/HEAD CONSOLE			
FB01-69-87X	1	(W/O SUN-RF)			
FB01-69-874	1	(W/O SUN-RF)			

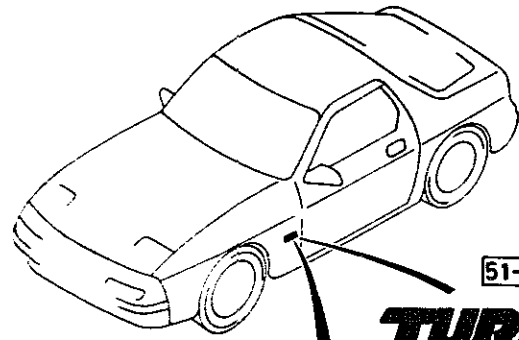
3 N 5

SECTION NAME INDEX (BODY) 1/2

LO.NO	SEC.NO	SECTION NAME	LO.NO	SEC.NO	SECTION NAME	LO.NO	SEC.NO	SECTION NAME
3-C03	0900	KEY SETS	3-J09	5390	FLOOR ATTACHMENTS			
3-F03	5000	FRONT BUMPER	3-C10	5500	DASHBOARD EQUIPMENTS			
3-H03	5010	REAR BUMPER	3-F10	5520	METER HOOD			
3-J03	5020	HEAD LAMP CLEANER	3-G10	5530	SPEEDOMETER CABLE			
3-L03	5030	WINDOW MOULDINGS	3-H10	5540	METER COMPONENTS			
3-M03	5040	BODY MOULDINGS (COUPE)	3-J10	5560	DASHBOARD & RELATED PARTS			
3-E04	5060	SIDE PROTECTORS	3-E11	5570	CONSOLE			
3-I04	5100	HEAD LAMPS	3-H11	5580	VENTILATOR			
3-J04	5103	HEAD LAMP RETRACTORS	3-J11	5700	FRONT SEATS (COUPE)			
3-N04	5105	FRONT COMBINATION LAMPS	3-E13	5700A	FRONT SEATS (CONVERTIBLE)			
3-G05	5110	REAR COMBINATION LAMPS	3-K13	5750	REAR SEATS (COUPE)			
3-K05	5120	LICENSE LAMPS	3-M13	5790	SEAT BELTS (COUPE)			
3-M05	5125	INTERIOR LAMPS	3-C14	5790A	SEAT BELTS (CONVERTIBLE)			
3-N05	5130	OVERHEAD CONSOLE	3-D14	5800	FRONT DOORS (COUPE)			
3-C06	5170	ORNAMENTS	3-G14	5800A	FRONT DOORS (CONVERTIBLE)			
3-D06	5180	COWL & EXTRACTOR GRILLES	3-K14	5830	FRONT DOOR MECHANISMS (COUPE)			
3-G06	5230	BONNET	3-J15	5830A	FRONT DOOR MECHANISMS (CONVERTIBLE)			
3-J06	5260	TRUNK LID (CONVERTIBLE)	3-J16	5840	FRONT DOOR TRIMS & RELATED PARTS (COUPE)			
3-L06	5310	BODY PANELS (FRONT) (COUPE)	3-H16	5840A	FRONT DOOR TRIMS & RELATED PARTS (CONVERTIBLE)			
3-C07	5310 A	BODY PANELS (FRONT) (CONVERTIBLE)						
3-F07	5320	BODY PANELS (FENDER & WHEEL ARCH)						
3-K07	5330	BODY PANELS (DASH & COWL PANEL)						
3-L07	5340	BODY PANELS (SIDE) (COUPE)						
3-E08	5340A	BODY PANELS (SIDE) (CONVERTIBLE)						
3-K08	5360	BODY PANELS (ROOF) (W/O SUN ROOF)						
3-L08	5360 A	BODY PANELS (ROOF) (SUN ROOF)						
3-M08	5370	BODY PANELS (FLOOR) (COUPE)						
3-D09	5370 A	BODY PANELS (FLOOR) (CONVERTIBLE)						
3-H09	5380	FLOOR ATTACHMENTS (HOLE COVERS)						

CATLOG-NO= AUFA02-06

DATE. 1992-05



51-771L

TURBO III

51-760

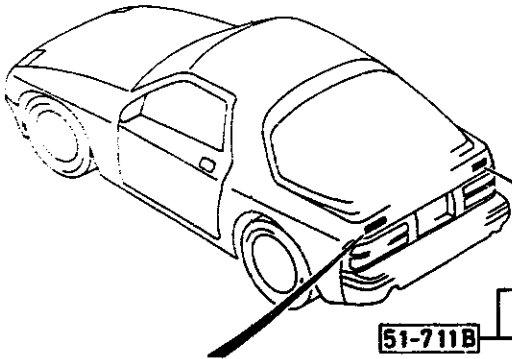
GXL

51-760

GTUS

51-760A

GTU



51-782

51-711B

MAZDA

51-782

51-720

MAZDA RX-7

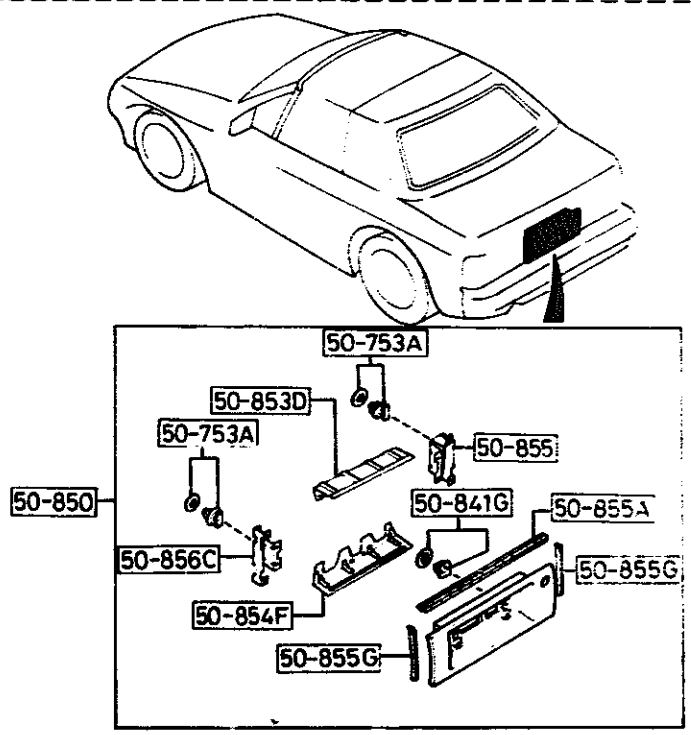
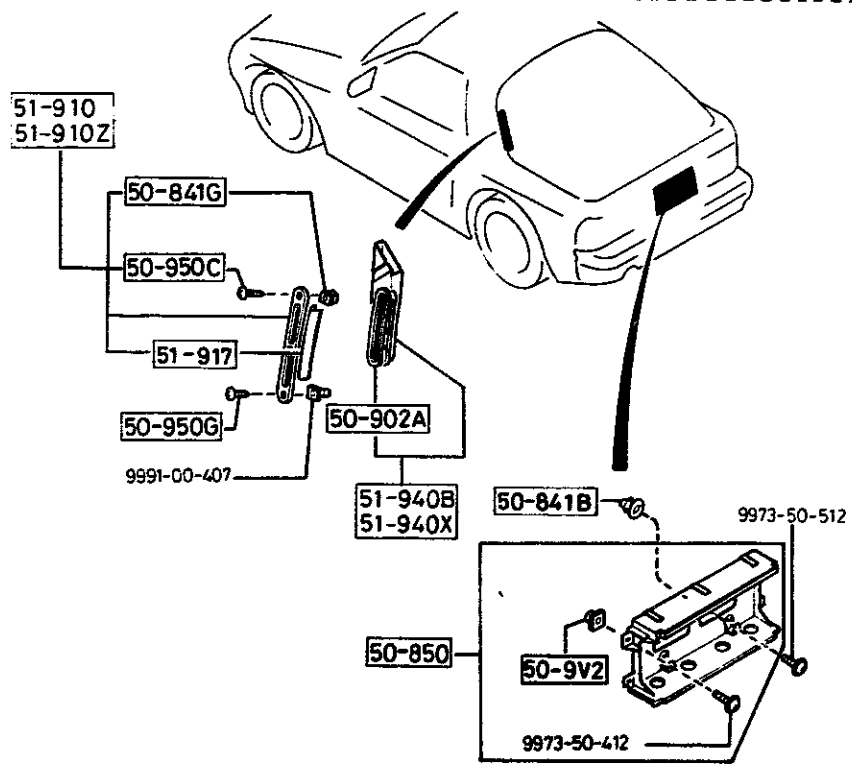
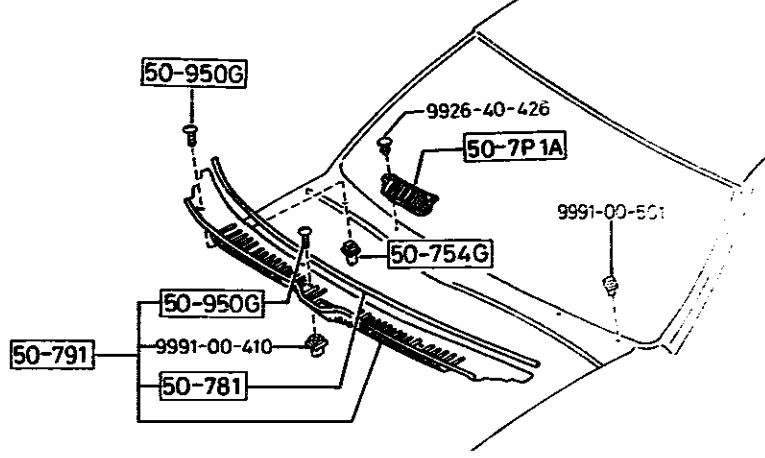
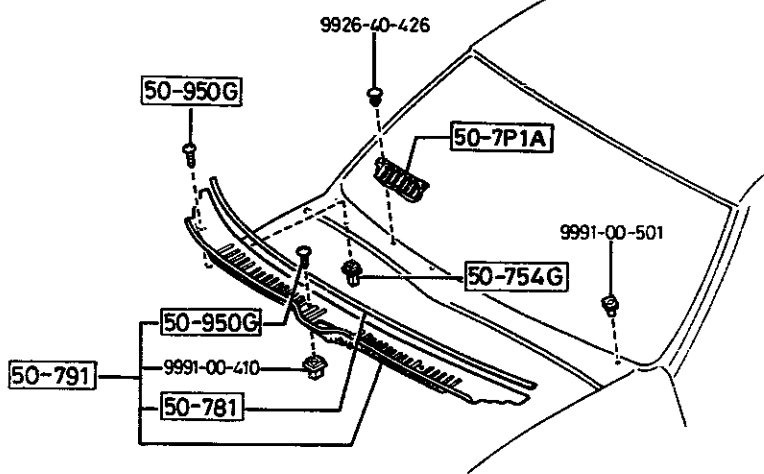
PART NO.	QTY	MODEL/RESTRICTION	MODEL/RESTRICTION	MODEL/RESTRICTION	FROM-TO
51-711B FB02-51-740	1	ORNAMENT, MAKER NAME-REAR MAZDA			
51-720 FB02-51-720	1	ORNAMENT, CAR NAME-REAR MAZDA RX-7			
51-760 FB05-51-761	2	ORNAMENT, GRADE-REAR (GXL) (CPE)			
01		UC WY 1F 3L 4F BLACK			
08		6H GU PZ SQ 3G 5D 5N SILVER			
FC05-51-761	2	(GTUS) (CPE)			
18		UC WY 1F RED			
30		PZ SQ 3G 5D 5N 6H WHITE			
51-760A FC02-51-761	2	ORNAMENT, GRADE-SIDE (GTU) (CPE)			
18		UC WY 1F RED			
30		PZ SQ 3G 5D 5N 6H WHITE			
51-771L FB51-51-761	2	ORNAMENT, TURBO-SIDE (TURBO 2) (CPE)			
08		6H PZ SN SQ 2N 3G 4E 5D 5H SILVER			
10		UC WY 1F 3L 4F RED			
51-782 H001-51-782	7	CLIP, TUBULAR			

(CPE)

(THIS ILLUSTRATION CONSISTS OF 2 PAGES)

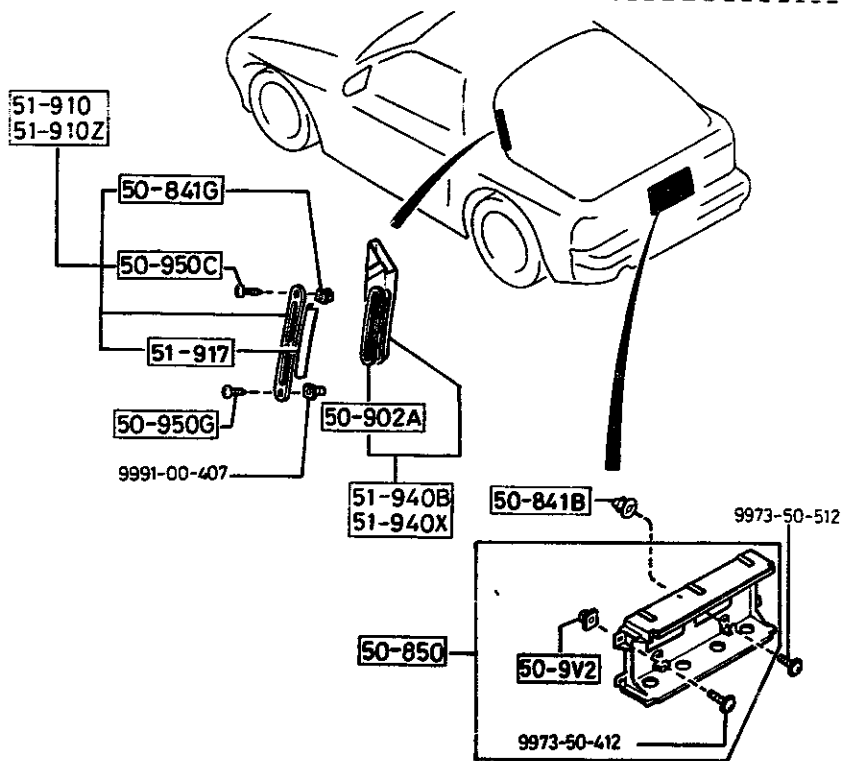
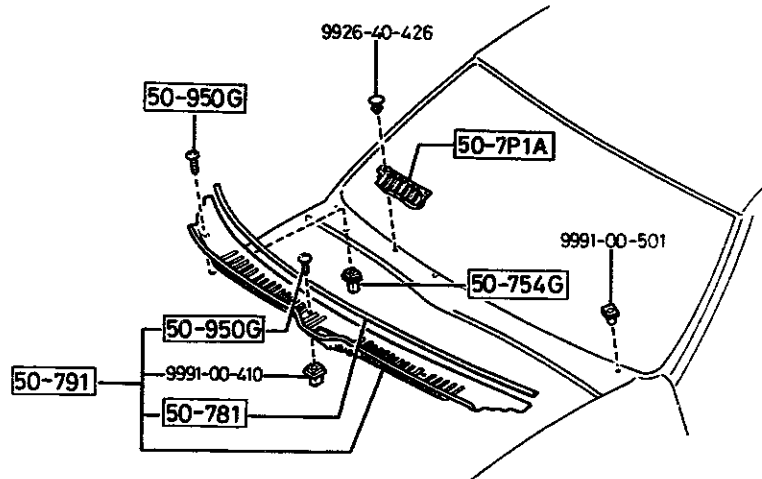
(CONVERTIBLE)

(THIS ILLUSTRATION CONSISTS OF 2 PAGES)



(CPE)

(THIS ILLUSTRATION CONSISTS OF 2 PAGES)



PART NO.	QTY	MODEL/RESTRICTION	MODEL/RESTRICTION	MODEL/RESTRICTION	FROM-TO
50-7P1A		GRILLE(R),COWL-LOWER			
FB01-50-7P1A	1				
50-753A		FASTENER			
GD43-50-753	4	(CONVERTIBLE)			
50-754G		GROMMET, SCREW			
FB01-50-818	4				
50-781		PROTECTOR,COWL GRILL			
FB01-50-792	1				
50-791		GRILLE,COWL			
FB01-50-790B	1				
50-841B		GROMMET, SCREW			
FB01-50-841	3	(CPE)			
50-841G		GROMMET, SCREW			
F044-51-912	2	(CPE)			
	3	(CONVERTIBLE)			
50-850		FINISHER, REAR			
FB67-50-850B	1	(CONVERTIBLE)			
FC01-50-850	1	(CPE)			
50-853D		REINF.(UP),FINISHER-REAR			
FB67-50-853	1	(CONVERTIBLE)			
50-854F		REINF.(LWR),FINISHER-REAR			
FB67-50-854	1	(CONVERTIBLE)			
50-855		BRACKET NO.1,FINISHER-REAR			
FB67-50-855A	1	(CONVERTIBLE)			
50-855A		PROTECTOR,RR.FINISHER			
FB67-50-852	1	(CONVERTIBLE)			
50-855G		PROTECTOR,R.FINISHER			
FB67-50-857A	2	(CONVERTIBLE)			

AUFA02

(CONT'D)

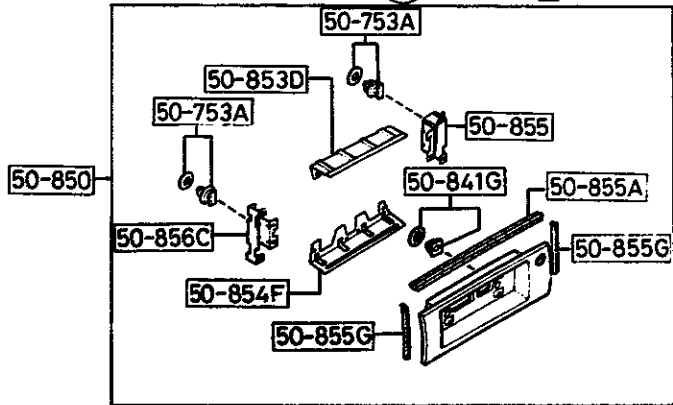
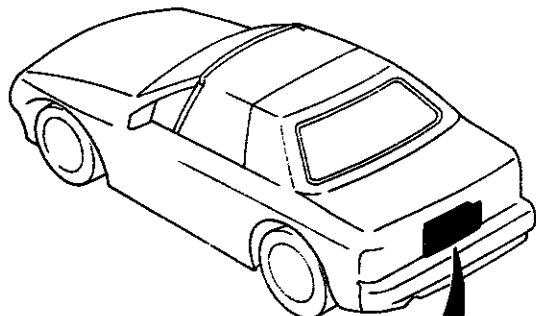
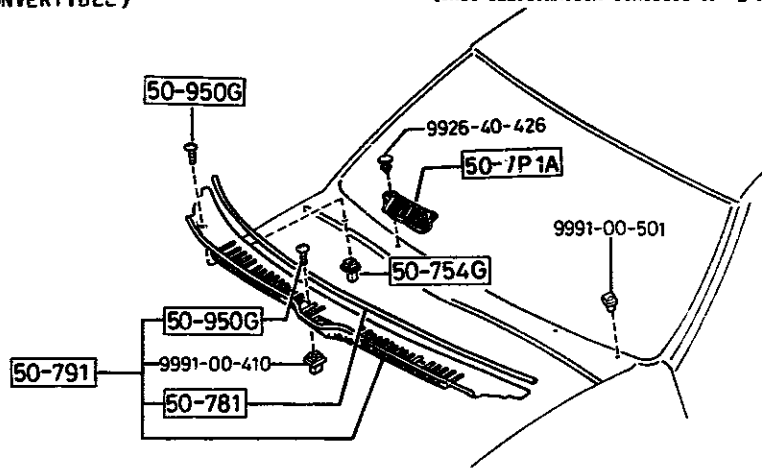
CAT. AUFA02-06

1992-05

3-E 6

(CONVERTIBLE)

(THIS ILLUSTRATION CONSISTS OF 2 PAGES)

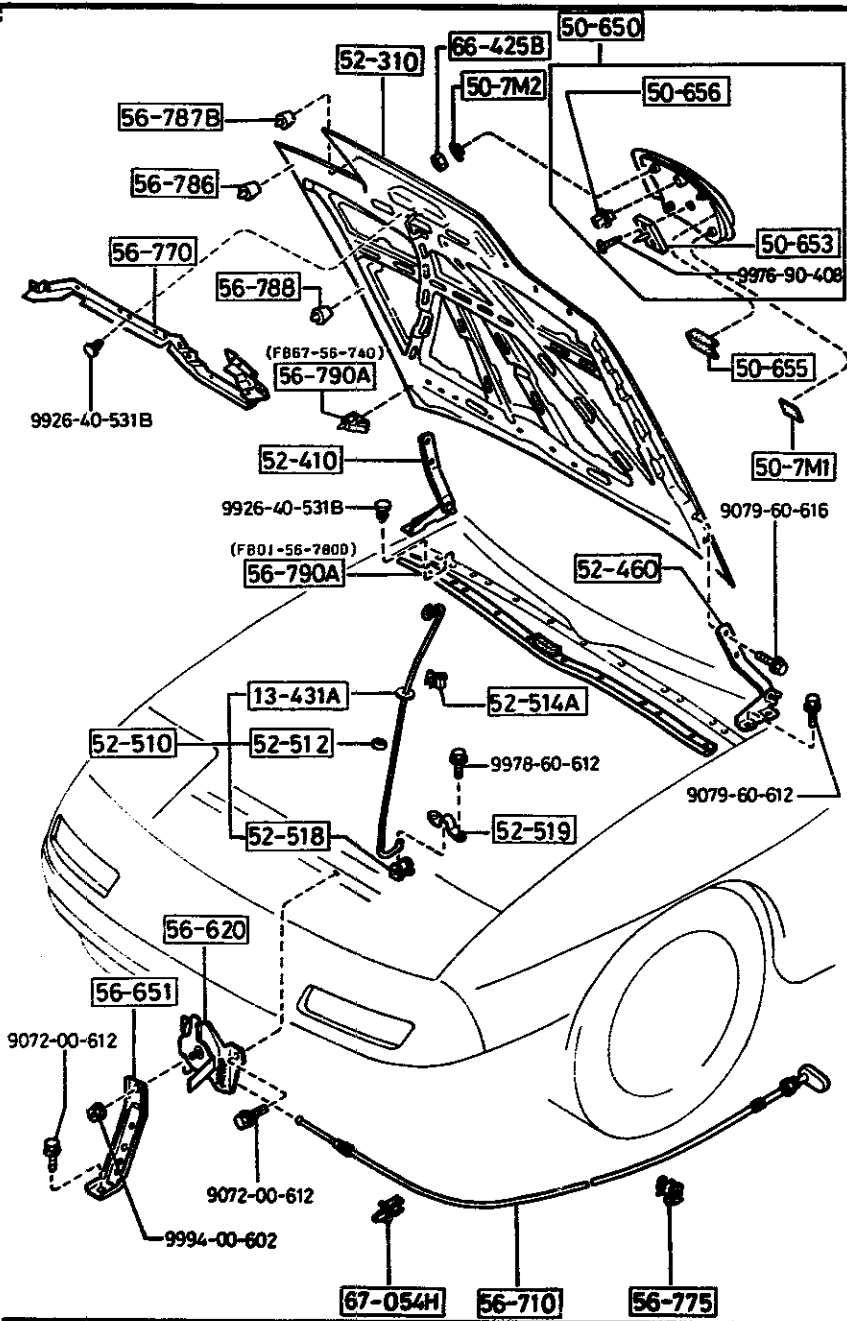


PART NO.	QTY	MODEL/RESTRICTION	MODEL/RESTRICTION	MODEL/RESTRICTION	FROM-TO
50-856C FB67-50-856A	1	BRACKET NO.2, FINISHE R-REAR (CONVERTIBLE)			
50-9V2 B250-50-9V2	2	GROMMET, SCREW-ROLL B GARN (CPE)			
50-902A FB01-51-922	2	PLATE (CPE)			
50-953C F044-51-890A	2	SCREW (CPE)			
50-950G FB01-50-795A	6	SCREW, COWL GRILLE (CONVERTIBLE)			
	8	(CPE)			
51-910 FC01-51-910	1	GRILLE(R), EXTRACTOR (CPE)			
51-910Z FC01-51-930	1	GRILLE(L), EXTRACTOR (CPE)			
51-917 FC01-51-917	2	SEAL, RUBBER (CPE)			
51-940B FB01-51-920A	1	CHAMBER(R), EXTRACTOR (CPE)			
51-940X FB01-51-940A	1	CHAMBER(L), EXTRACTOR (CPE)			

-9823

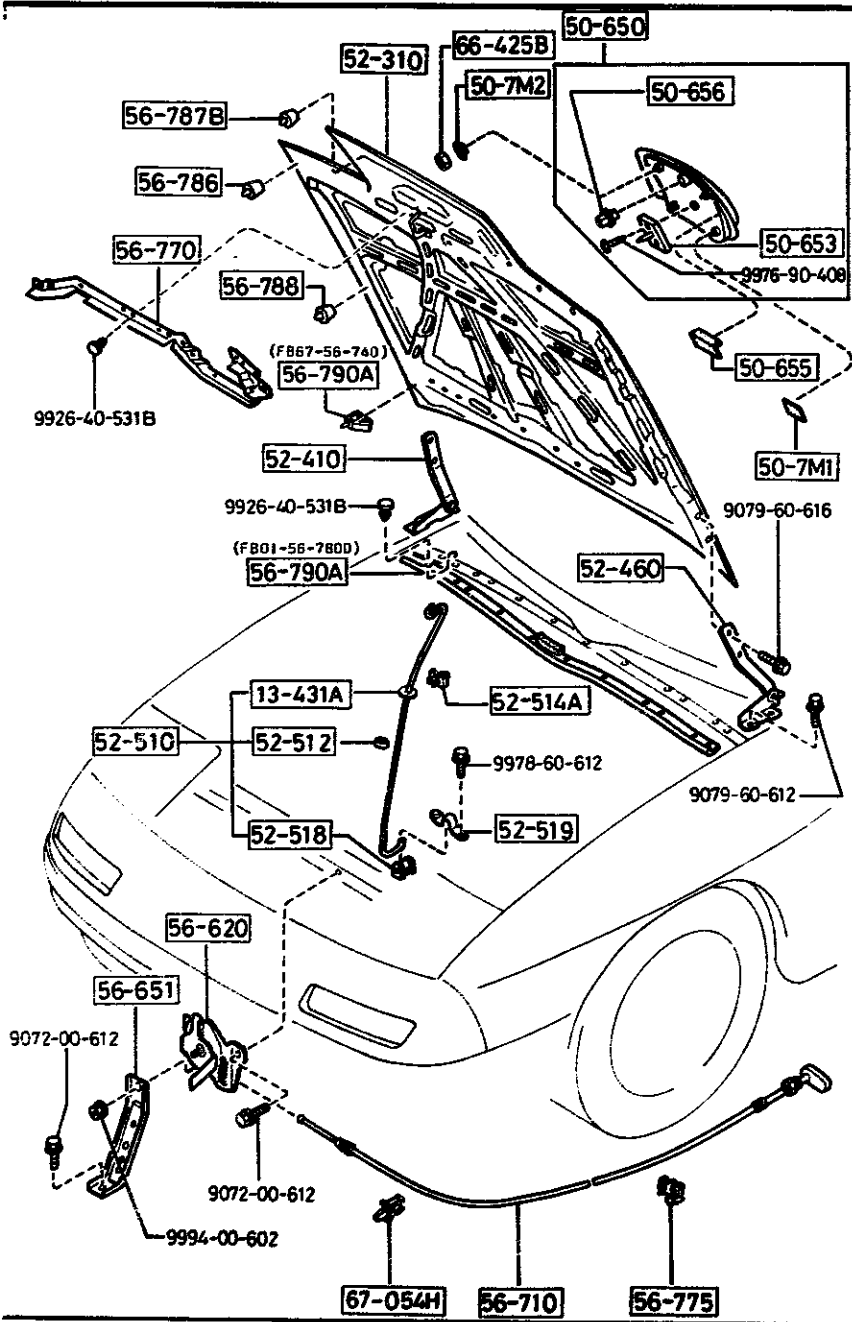
-9120

9120-



PART NO.	QTY	MODEL/RESTRICTION	MODEL/RESTRICTION	MODEL/RESTRICTION	FROM-TO
13-431A		WASHER, RUBBER			
0118-13-431	1				
50-650		SCOOP, BONNET			
F044-50-650B	1	(TURBO)			
50-653		BRACKET, BONNET BURDGE			
F044-50-653A	1	(TURBO)			
50-655		PROTECTOR, BONNET BURDGE			
F044-50-655A AN(F044-50-655B)	4				-9101
F044-50-655B	2	(TURBO)			9101-
50-656		FASTENER, BONNET BURDGE			
F044-50-656A	1	(TURBO)			
50-7M1		PROTECTOR, BONNET BURDGE			
F044-50-7M1 AN(F044-50-7M1A)	2				-9101
F044-50-7M1A	2	(TURBO)			9101-
50-7M2		WASHER, BONNET BURDGE			
F044-50-7M2	5	(TURBO)			
52-310		BONNET			
FB01-52-310H	1	GTU, GXL, (STEEL BONNET) (CPE)			
FB13-52-310J	1	GTUS, (ALUMI. BONNET-W/O BULGE TYPE)			
F049-52-310N	1	TURBO, (ALUMI. BONNET-W/BULGE TYPE) (CPE)			
52-410		HINGE (R), BONNET			
FB01-52-410E	1	GTU, GXL, (STEEL BONNET) (CPE)			
FB13-52-410E	1	CONV, GTUS, TURBO, (ALUMI. BONNET)			

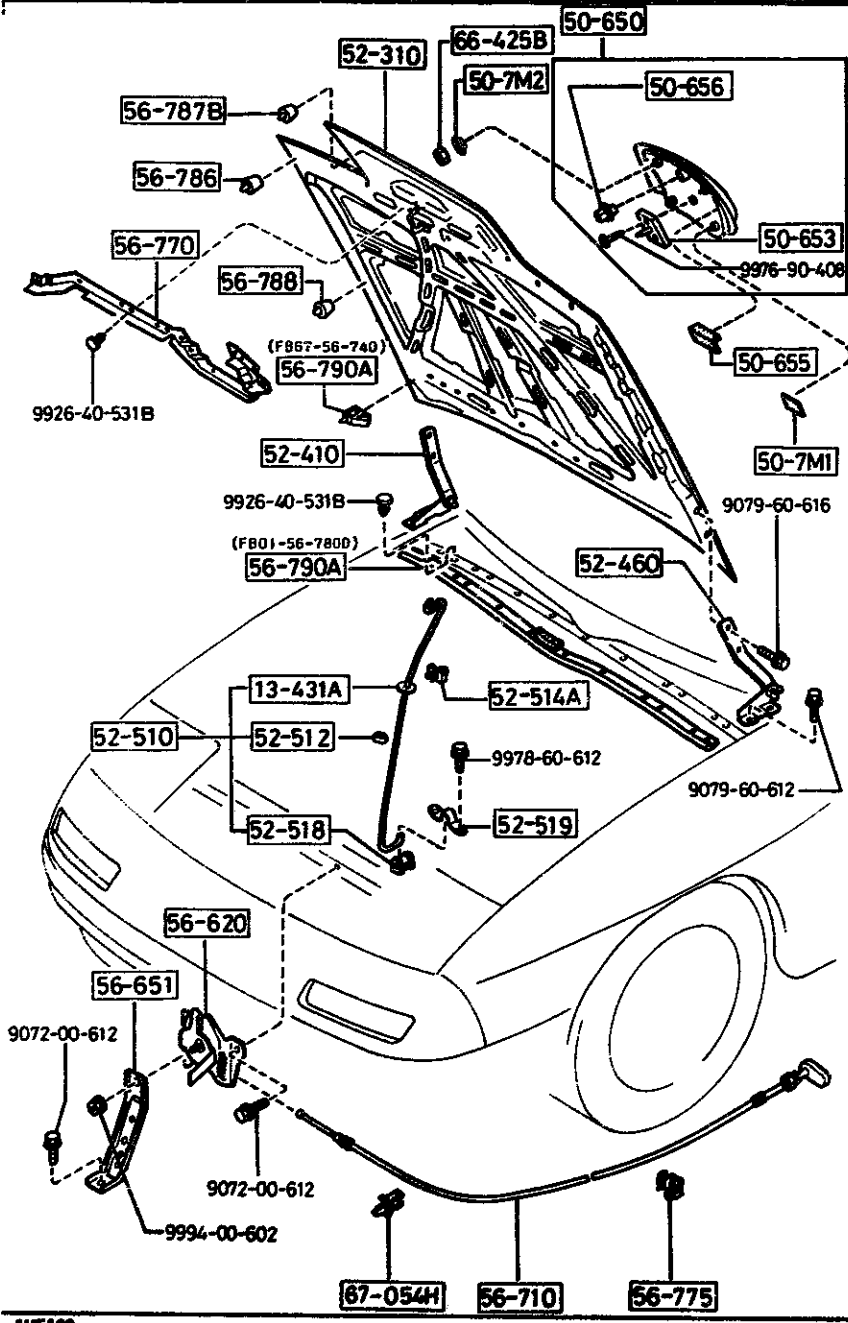
9101 FC3MNM-700067



PART NO.	QTY	MODEL/RESTRICTION	MODEL/RESTRICTION	MODEL/RESTRICTION	FROM-TO
52-460		HINGE(L), BONNET			
FB01-52-420E	1	GTU, GXL, (STEEL BONNET) (CPE)			
FB13-52-420E	1	CONV, GTUS, TURBO, (ALUMI. BONNET) (CONVERTIBLE)			
52-510		STAY, BONNET			
FB01-52-510D	1				
52-512		SPACER, BONNET STAY			
FB01-52-512	1				
52-514A		HOLDER, BONNET STAY-S HROUD (CPE)			
FB01-52-514B	1				
FB67-52-514	1	(CONVERTIBLE)			
52-518		HOLDER, BONNET STAY			
FB01-52-518	1				
52-519		PLATE, SET-HOLDER			
FB01-52-519A	1				
56-620		LOCK, BONNET			
FB01-56-620E	1	NON USA,			
FB02-56-620F AN(FB02-56-620G)	1				-0701
FB15-56-620F AN(FB15-56-620G)	1				-0701
FB02-56-620G	1	GTU, GXL, (STEEL BONNET) ((CPE) > (NDR. DIFF)) (CONVERTIBLE)			0701-
FB15-56-620G	1	((CPE) > (L.S. DIFF))			0701-
56-651		STAY, LOCK-BONNET			
FB01-56-651	1				
56-710		WIRE, RELEASE-BONNET			
FB01-56-710C	1				
56-770		RUBBER(C), SEAL-BONNET T FRT			

0701 FC3MNN-807120

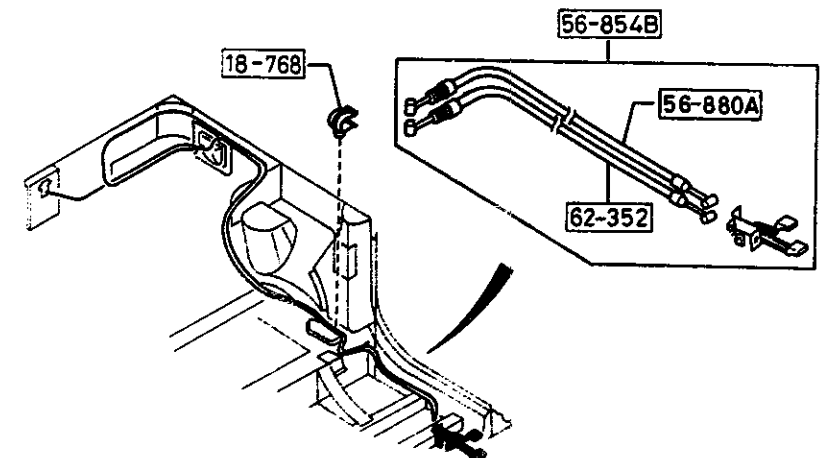
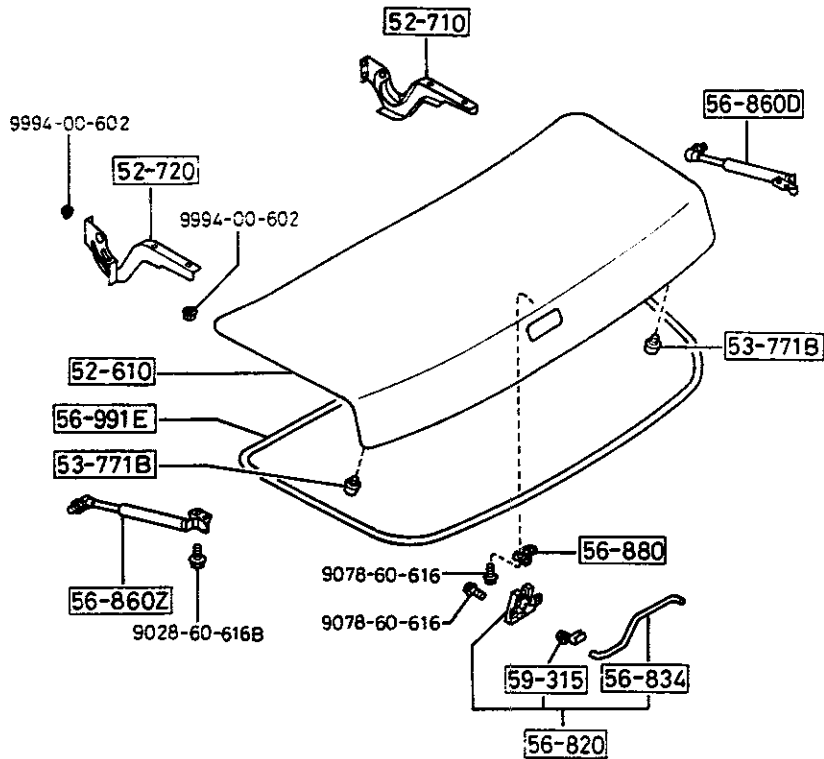
3-H 6



PART NO.	QTY	MODEL/RESTRICTION	MODEL/RESTRICTION	MODEL/RESTRICTION	FROM-TO
CONT'D FC01-56-770	1				
56-775		CLIP, WIRE-BONNET			
H260-67-519A	3				
56-786		RUBBER(C), CUSHION-BONNET			
F801-56-786A	2				
56-787B		RUBBER, CUSHION-BONNET FRT			
F801-56-787A	2				
56-788		RUBBER, CUSHION-BONNET RR			
F801-56-788	2				
56-790A		RUBBER, SEAL-COWL PANEL (CONVERTIBLE)			
F867-56-740	2				
F801-56-780D	1				
66-425B		NUT, BONNET BURDGE			
F044-50-425	5	(TURBO)			
67-054H		CLIP, OPENER CABLE			
B130-56-897	1				

5260 TRUNK LID
(CONVERTIBLE)

5260 -1 TRUNK LID
(CONVERTIBLE)

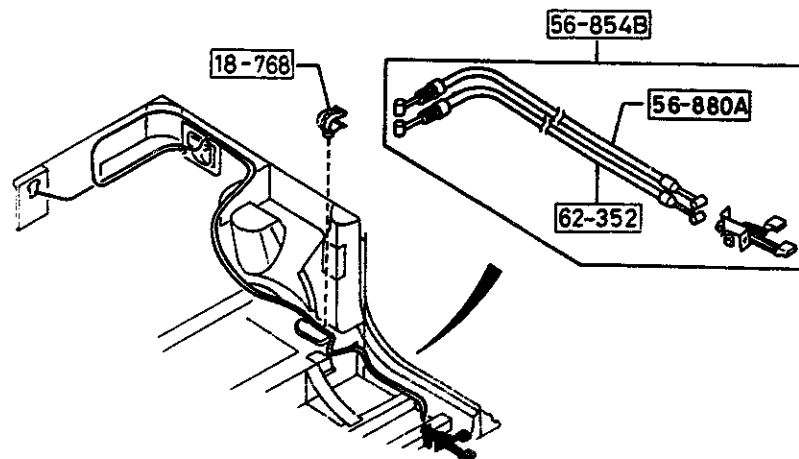
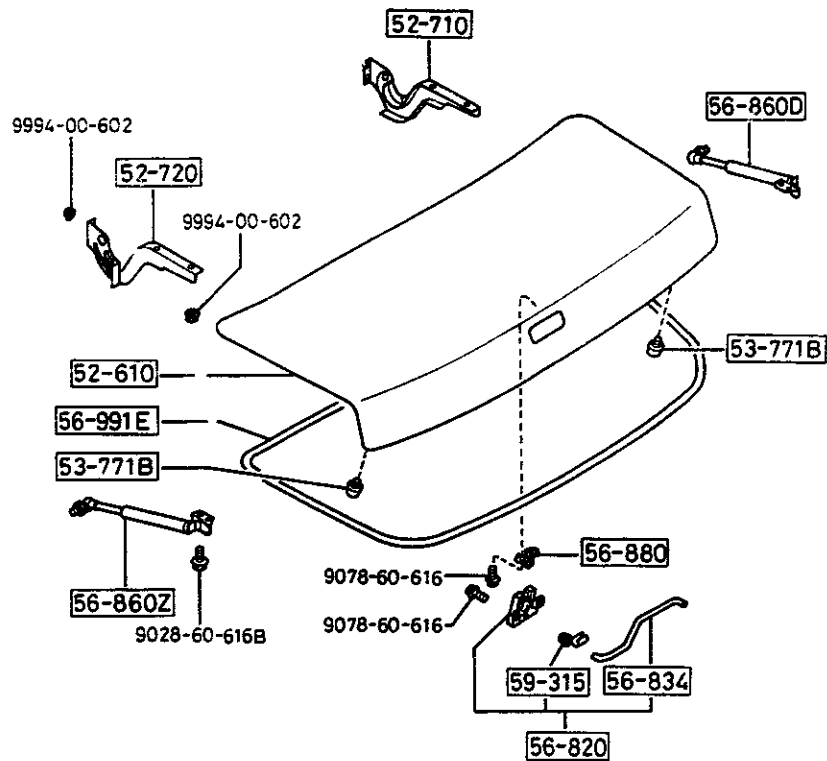


PART NO.	QTY	MODEL/RESTRICTION	MODEL/RESTRICTION	MODEL/RESTRICTION	FROM-TO
18-768		CLIP			
E301-18-768	1				-9726
52-610		LID, TRUNK			
FB67-52-610A	1				
52-710		HINGE (R), TRUNK LID			
FB67-52-710A	1				
52-720		HINGE (L), TRUNK LID			
FB67-52-720A	1				
53-771B		RUBBER, CUSHION			
FB67-56-802	2				
56-820		LOCK, LID			
FB67-56-820	1				
56-834		ROD, TRUNK OPENING			
FB67-56-835	1				
56-854B		OPENER, T/LID & F/LID			
FB67-56-920D A (FB67-56-920F)	1				-0315
FB67-56-920F A (FB67-56-920G)	1				0315-0417
FB67-56-920G	1				0417-
56-860D		STAY (R), DAMPER-TRUNK LID			
88F1-56-860	1				
56-860Z		STAY (L), DAMPER-TRUNK LID			
88F1-56-870	1				
56-880		STRIKER, LID			
FB67-56-840	1				
56-880A		CABLE, F/LID OPENER			
FB67-56-940D A (FB67-56-940E)	1				-0315
FB67-56-940E A (FB67-56-940F)	1				0315-0417

9726 FC3NN-80035
0315 FC3NN-806538
0417 FC3NN-806621

5260 TRUNK LID
(CONVERTIBLE)

5260 -2 * TRUNK LID
(CONVERTIBLE)



PART NO.	QTY	MODEL/RESTRICTION	MODEL/RESTRICTION	MODEL/RESTRICTION	FROM-TO
CONT'D					
FB67-56-940F	1				0417-
56-991E		WEATHERSTRIP,LID			
FB67-56-952	1				
59-315		CLIP			
G030-59-315	1				
62-352		CABLE,OPENER			
FB67-56-930D A (FB67-56-930F)	1				-0315
FB67-56-930F	1				0315-

0315 FC3NNN-806538
0417 FC3NNN-806621

AUFA02

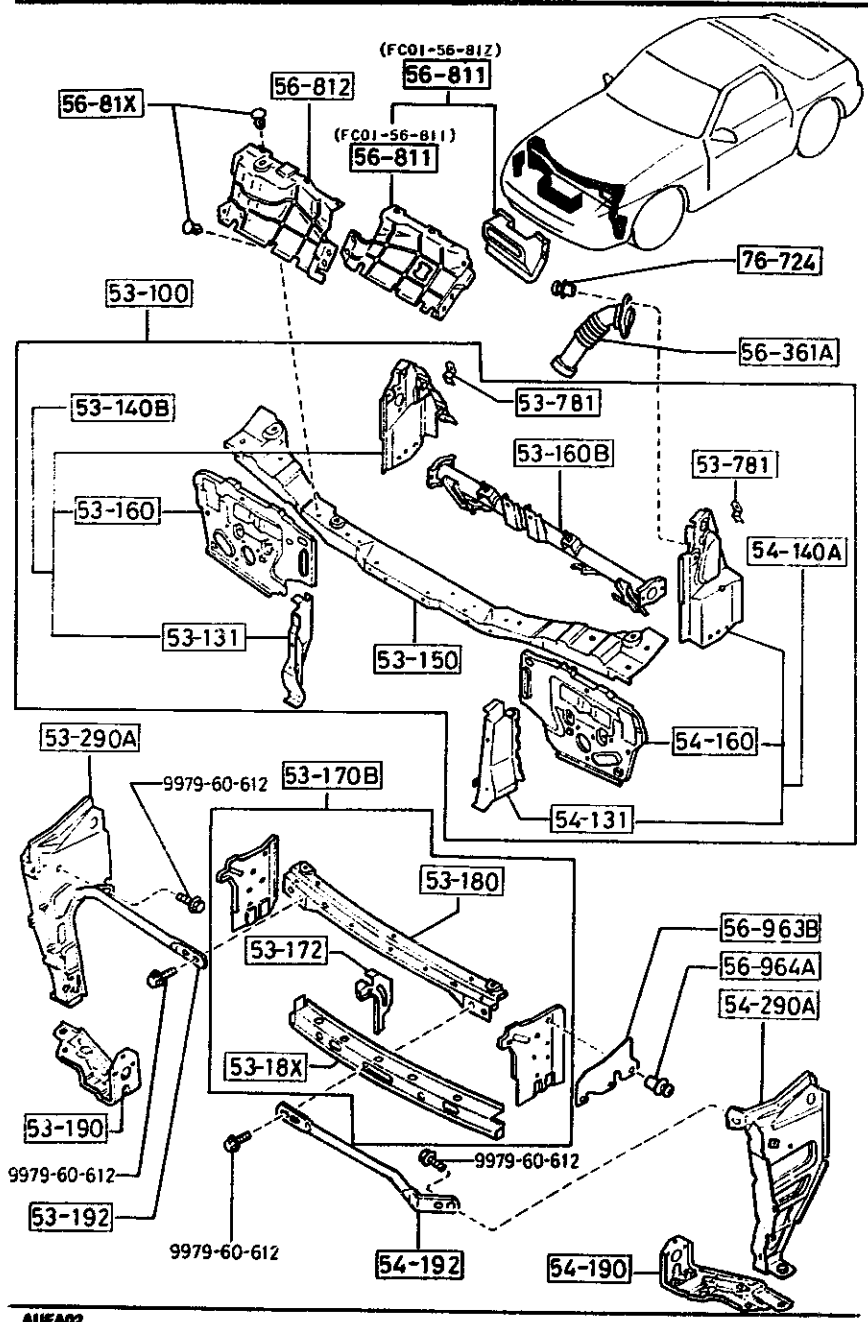
CAT. AUFA02-06

1992-05

3-K 6

5310 BODY PANELS (FRONT)
(COUPE)

5310 -1 BODY PANELS (FRONT)
(COUPE)



PART NO.	QTY	MODEL/RESTRICTION	MODEL/RESTRICTION	MODEL/RESTRICTION	FROM-TO
53-100		PANEL, RAD. SHROUD			
FB01-53-100M A (FB01-53-100N)	1				-9101
FB01-53-100N	1				9101-
53-131		REINF. (R), RAD. SHROUD			
FB01-53-131A	1				
53-140B		PANEL (R), SHROUD-SIDE			
FB01-53-12XC A (FB01-53-12XD)	1				-9101
FB01-53-12XD	1				9101-
53-150		PLATE, SHROUD-UPPER			
FB01-53-150D	1				
53-160		PANEL (R), SHROUD			
FB01-53-120B A (FB01-53-120C)	1				-9101
FB01-53-120C	1				9101-
53-160B		MEMBER, CROSS			
FB01-53-160	1				
53-170B		PLATE, SET-FASCIA			
FC01-53-170	1				
53-172		STAY, SET PLATE-FASCIA			
FB01-53-172	1				
53-18X		BRACKET, RELAY-SET PLATE			
FC01-53-18X	1				
53-180		PLATE (UP.), SET-FASCIA			
FB01-53-180C A (FC66-53-180)	1				-9801
FC66-53-180	1				9801-
53-190		STAY (R), FENDER-LOWER			
FC01-53-190	1				
9101 FC3NN-70067 9801 FC3NN-80094					

AUFA02

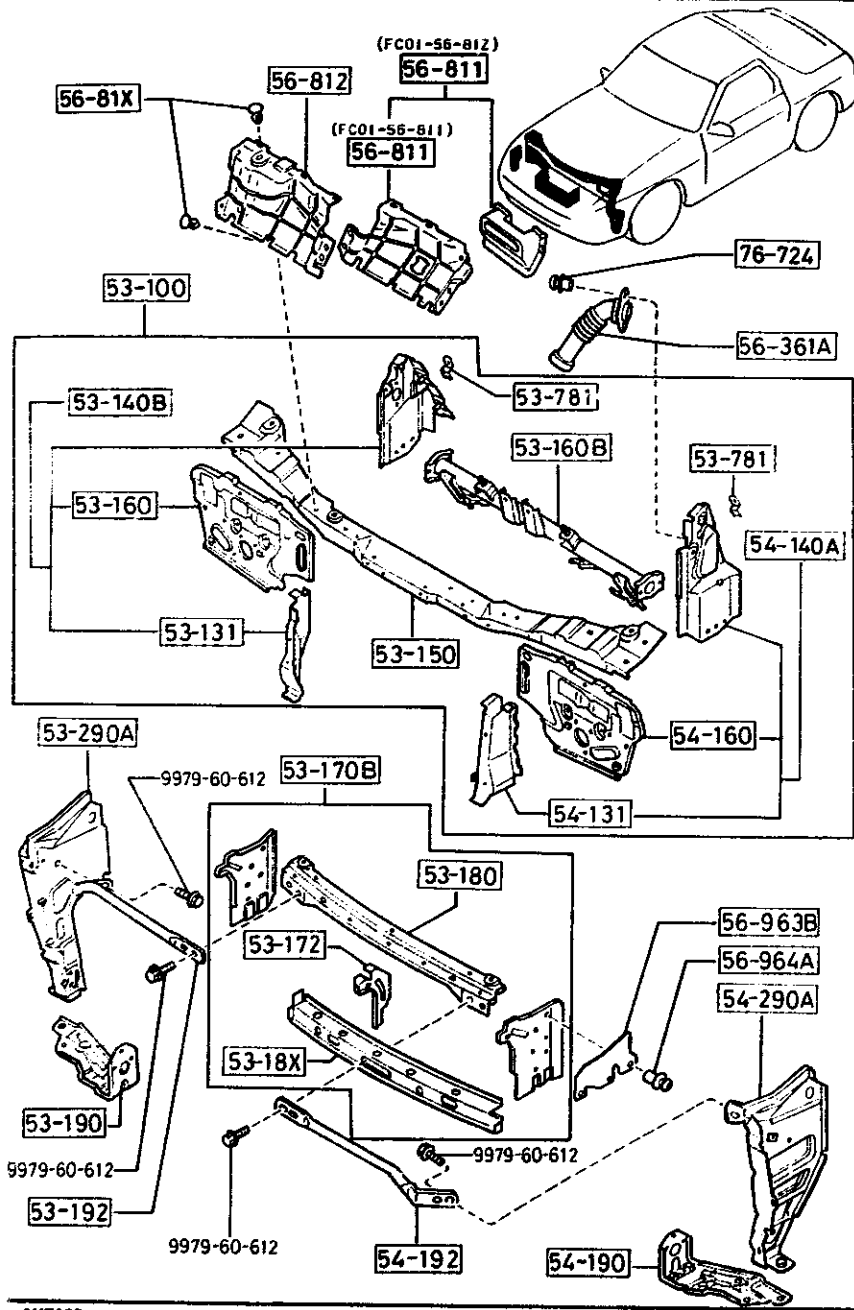
CAT. AUFA02-06

1992-05

3-L 6

5310 BODY PANELS (FRONT)
(COUPE)

5310 -2 BODY PANELS (FRONT)
(COUPE)



PART NO.	QTY	MODEL/RESTRICTION	MODEL/RESTRICTION	MODEL/RESTRICTION	FROM-TO
53-192		STAY(R), FENDER-UPPER			
FB01-53-192	1				
53-290A		BRACKET(R), FENDER			
FB01-53-110A	1				
53-781		BRACKET, GRILLE-C			
0305-53-781A	2				
54-131		REINF. (L), RAD. SHROU D			
FB01-54-131A	1				
54-140A		PANEL (L), SHROUD-SIDE			
FB01-54-12XD A (FB01-54-12XE)	1				-9101
FB01-54-12XE	1				9101-
54-160		PANEL (L), SHROUD			
FB01-54-120C A (FB01-54-120D)	1				-9101
FB01-54-120D	1				9101-
54-190		STAY(L), FENDER-LOWER			
FC01-54-190	1				
54-192		STAY(L), FENDER-UPPER			
FB01-54-192	1				
54-290A		BRACKET(L), FENDER			
FB01-54-110B	1				
56-361A		DUCT, AIR-RADIATOR SH ROUD			
FB01-56-361A	1				
56-81X		FASTENER, DUCT PANEL			
FB01-56-81X	10				
56-811		PANEL (L), DUCT-RAD. S HROUD			
FC01-56-812	1				
FC01-56-811	1				
9. 01 FC3MM-700067					

AUFA02

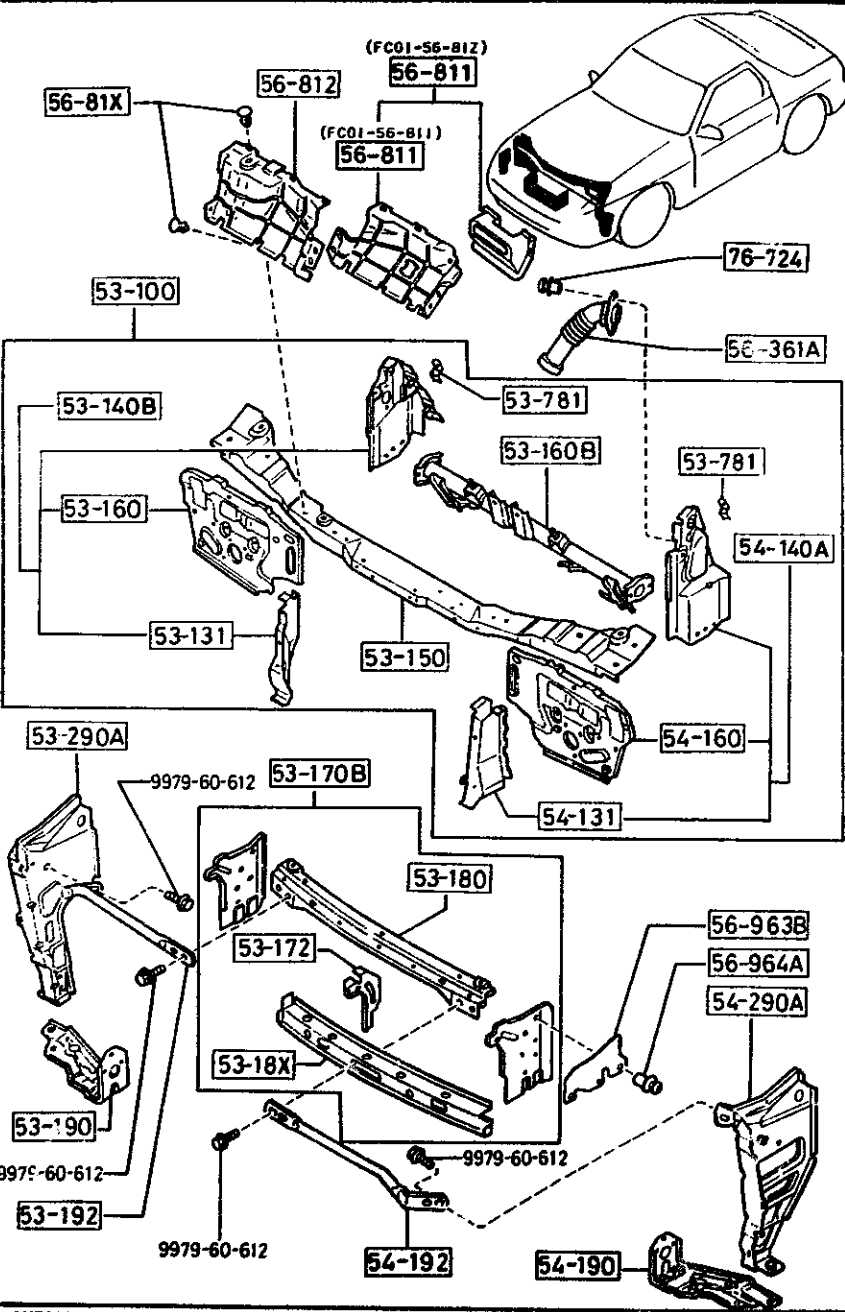
CAT. AUFA02-06

1992-05

3-M 6

5310 BODY PANELS (FRONT)
(COUPE)

5310 -3 * BODY PANELS (FRONT)
(COUPE)



PART NO.	QTY	MODEL/RESTRICTION	MODEL/RESTRICTION	MODEL/RESTRICTION	FROM-TO
56-812		PANEL (R), DUCT-RAD. S			
F801-56-812	1	HROUD			
56-963B		PLATE, SEAL-RAD. SHRO			
F801-56-963	1	UD			
56-964A		RIVET, SEAL PLATE-SHR			
F801-56-964	3	UD			
76-724		RIVET			
B092-51-833	2				

5340

70-05
71-05

53-289
54-289

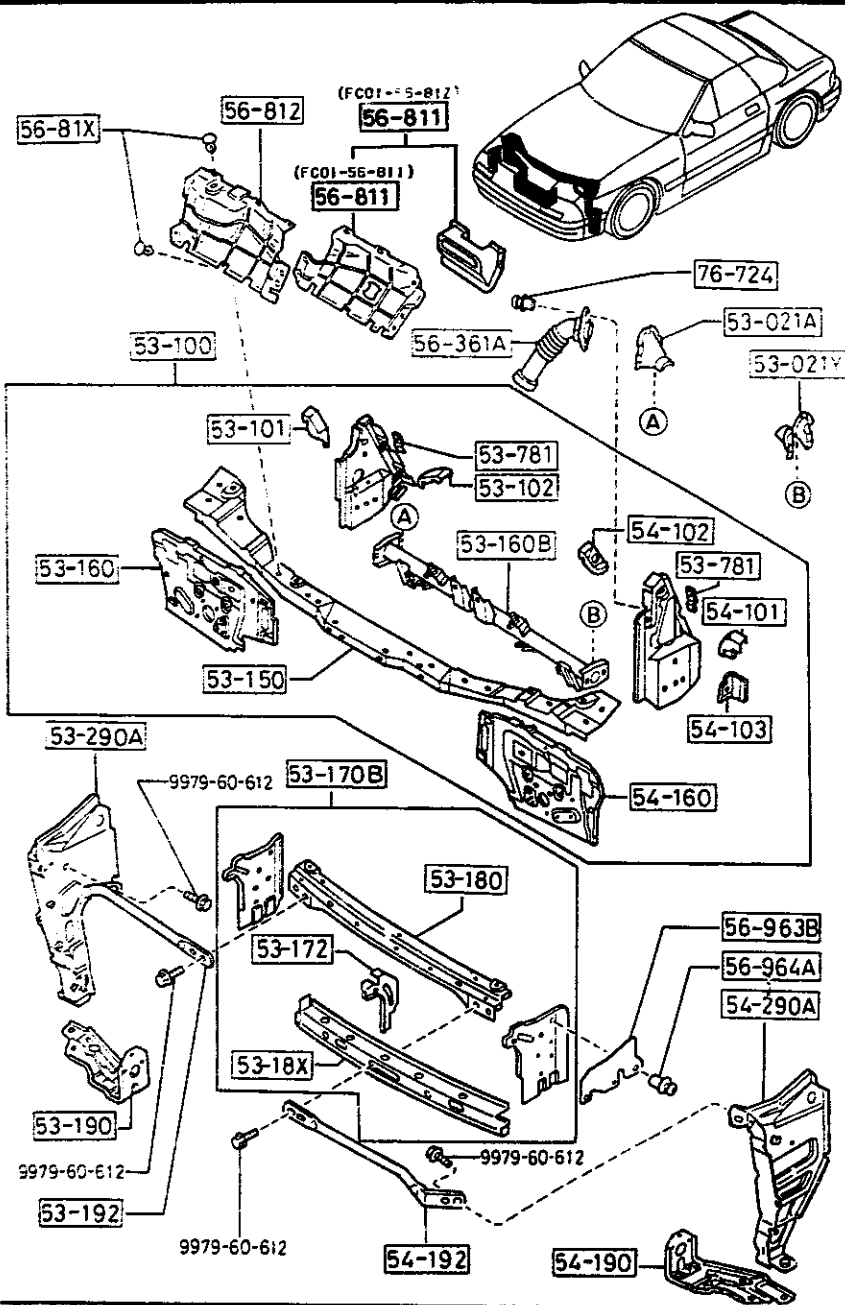
3 N 6

SECTION NAME INDEX (BODY)1/2

LO.NO	SEC.NO	SECTION NAME	LO.NO	SEC.NO	SECTION NAME	LO.NO	SEC.NO	SECTION NAME
3-C03	0900	KEY SETS	3-J09	5390	FLOOR ATTACHMENTS			
3-F03	5000	FRONT BUMPER	3-C10	5500	DASHBOARD EQUIPMENTS			
3-H03	5010	REAR BUMPER	3-F10	5520	METER HOOD			
3-J03	5020	HEAD LAMP CLEANER	3-G10	5530	SPEEDOMETER CABLE			
3-L03	5030	WINDOW MOULDINGS	3-H10	5540	METER COMPONENTS			
3-M03	5040	BODY MOULDINGS (COUPE)	3-J10	5560	DASHBOARD & RELATED PARTS			
3-E04	5060	SIDE PROTECTORS	3-E11	5570	CONSOLE			
3-I04	5100	HEAD LAMPS	3-H11	5580	VENTILATOR			
3-J04	5103	HEAD LAMP RETRACTORS	3-J11	5700	FRONT SEATS (COUPE)			
3-N04	5105	FRONT COMBINATION LAMPS	3-E13	5700A	FRONT SEATS (CONVERTIBLE)			
3-G05	5110	REAR COMBINATION LAMPS	3-K13	5750	REAR SEATS (COUPE)			
3-K05	5120	LICENSE LAMPS	3-M13	5790	SEAT BELTS (COUPE)			
3-M05	5125	INTERIOR LAMPS	3-C14	5790A	SEAT BELTS (CONVERTIBLE)			
3-N05	5130	OVERHEAD CONSOLE	3-D14	5800	FRONT DOORS (COUPE)			
3-C06	5170	ORNAMENTS	3-G14	5800A	FRONT DOORS (CONVERTIBLE)			
3-D06	5180	COWL & EXTRACTOR GRILLES	3-K14	5830	FRONT DOOR MECHANISMS (COUPE)			
3-G06	5230	BONNET	3-F15	5830A	FRONT DOOR MECHANISMS (CONVERTIBLE)			
3-J06	5260	TRUNK LID (CONVERTIBLE)	3-J15	5840	FRONT DOOR TRIMS & RELATED PARTS (COUPE)			
3-L06	5310	BODY PANELS (FRONT) (COUPE)	3-H16	5840A	FRONT DOOR TRIMS & RELATED PARTS (CONVERTIBLE)			
3-C07	5310 A	BODY PANELS (FRONT) (CONVERTIBLE)						
3-F07	5320	BODY PANELS (FENDER & WHEEL ARCH)						
3-K07	5330	BODY PANELS (DASH & COWL PANEL)						
3-L07	5340	BODY PANELS (SIDE) (COUPE)						
3-E08	5340A	BODY PANELS (SIDE) (CONVERTIBLE)						
3-K08	5360	BODY PANELS (ROOF) (W/O SUN ROOF)						
3-L08	5360 A	BODY PANELS (ROOF) (SUN ROOF)						
3-M08	5370	BODY PANELS (FLOOR) (COUPE)						
3-D09	5370 A	BODY PANELS (FLOOR) (CONVERTIBLE)						
3-H09	5380	FLOOR ATTACHMENTS (HOLE COVERS)						

5310 A BODY PANELS (FRONT)
(CONVERTIBLE)

5310 A-1 BODY PANELS (FRONT)
(CONVERTIBLE)



PART NO.	QTY	MODEL/RESTRICTION	MODEL/RESTRICTION	MODEL/RESTRICTION	FROM-TO
53-021A		GUSSET(R), CROSSMEMBER NO1			
FB67-53-021	1				
53-021Y		GUSSET(L), CROSSMEMBER NO1			
FB67-54-021	1				
53-100		PANEL, RAD. SHROUD			
FB67-53-100C A (FB67-53-100D)	1				-9101
FB67-53-100D A (FC66-53-100)	1				9101-9801
FC66-53-100	1				9801-
53-101		REINF. 'A'(R), RAD. SHROUD			
FB67-53-101	1				
53-102		REINF. 'B'(R), RAD. SHROUD			
FB67-53-102	1				
53-150		PLATE, SHROUD-UPPER			
FB67-53-150 A (FC66-53-150)	1				-9801
FC66-53-150	1				9801-
53-160		PANEL (R), SHROUD			
FB67-53-12XC A (FB67-53-12XD)	1				-9101
FB67-53-12XD	1				9101-
53-160B		MEMBER, CROSS			
FB67-53-160	1				
53-170B		PLATE, SET-FASCIA			
FC33-53-170 A (FC66-53-170)	1				-9801
FC66-53-170	1				9801-
53-172		STAY, SET PLATE-FASCIA			
FB01-53-172	1				
53-18X		BRACKET, RELAY-SET PLATE			
FC01-53-18X	1				

9101 FC3MNN-700067
9801 FC3MNN-800894

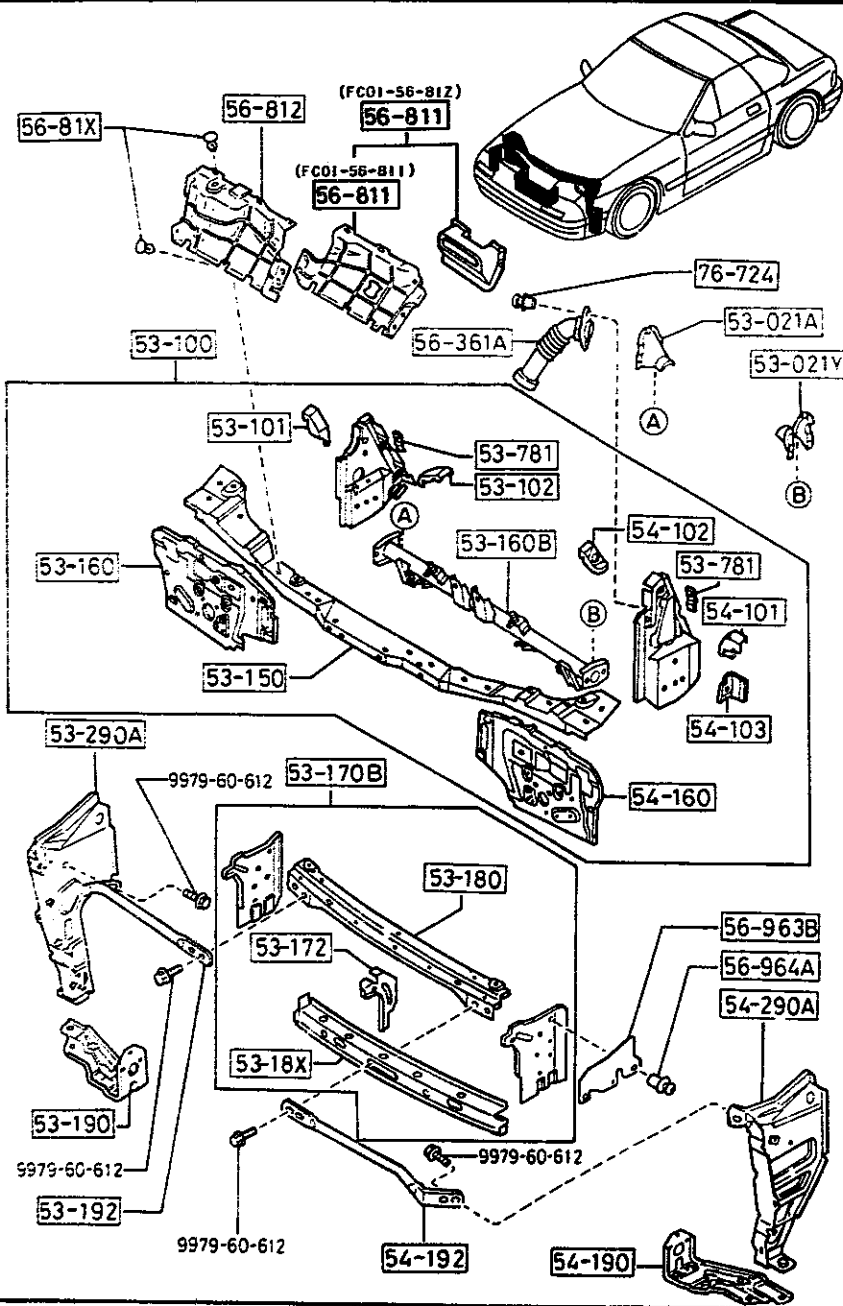
AUFA02

CAT. AUFA02-06

1992-05

3-C 7

5310 A BODY PANELS (FRONT)
(CONVERTIBLE)



AUFA02

5310 A-2 BODY PANELS (FRONT)
(CONVERTIBLE)

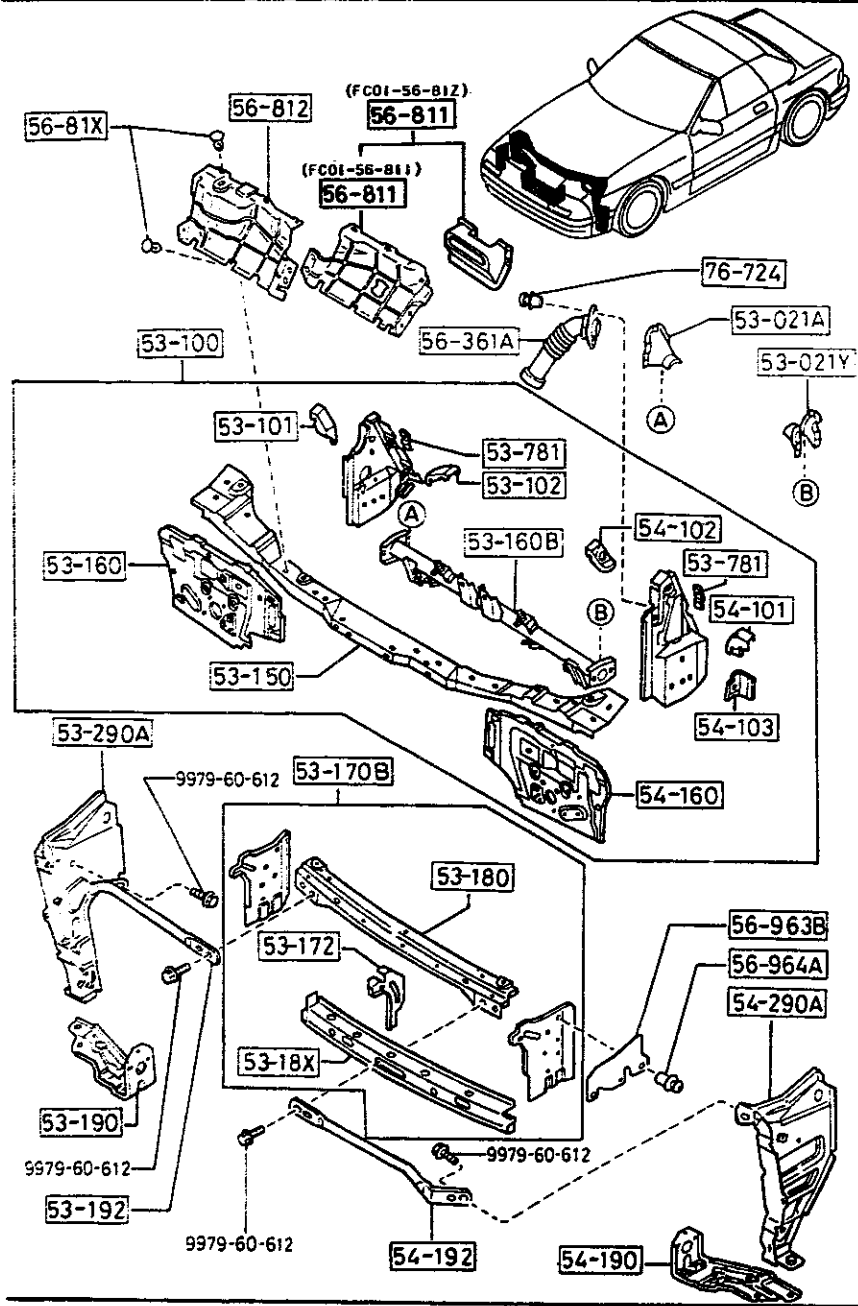
PART NO.	QTY	MODEL/RESTRICTION	MODEL/RESTRICTION	MODEL/RESTRICTION	FROM-TO
53-180	1	PLATE (UP.), SET-FASCIA			-9801
FB01-53-180C A (FC66-53-180)	1				9801-
FC66-53-180	1				
53-190	1	STAY (R), FENDER-LOWER			
FC01-53-190	1				
53-192	1	STAY (R), FENDER-UPPER			
FB01-53-192	1				
53-290A	1	BRACKET (R), FENDER			
FB01-53-110A	1				
53-781	2	BRACKET, GRILLE-C			
0305-53-781A	2				
54-101	1	REINF. 'A' (L), RAD. SH ROUD			
FB67-54-101	1				
54-102	1	REINF. 'B' (L), RAD. SH ROUD			
FB67-54-102	1				
54-103	1	REINF. 'C' (L), RAD. SH ROUD			
FB67-54-103	1				
54-160	1	PANEL (L), SHROUD			-9101
FB67-54-12XC A (FB67-54-12XD)	1				9101-
FB67-54-12XD	1				
54-190	1	STAY (L), FENDER-LOWER			
FC01-54-190	1				
54-192	1	STAY (L), FENDER-UPPER			
FB01-54-192	1				
54-290A	1	BRACKET (L), FENDER			
FB01-54-110B	1				
56-361A	1	DUCT, AIR-RADIATOR SH ROUD			
9101 FC3MMK-700067 9801 FC3MMK-800894					

CAT. AUFA02-06

1992-05

5310 A BODY PANELS (FRONT)
(CONVERTIBLE)

5310 A-3 * BODY PANELS (FRONT)
(CONVERTIBLE)



PART NO.	QTY	MODEL/RESTRICTION	MODEL/RESTRICTION	MODEL/RESTRICTION	FPJM-TD
CONT'D FB01-56-361A	1				
56-81X		FASTENER, DUCT PANEL			
FB01-56-81X	10				
56-811		PANEL (L), DUCT-RAD. S HROUD			
FC01-56-812	1				
FC01-56-811	1				
56-812		PANEL (R), DUCT-RAD. S HROUD			
FB01-56-812	1				
56-963B		PLATE, SEAL-RAD. SHRO UD			
FB01-56-963	1				
56-964A		RIVET, SEAL PLATE-SHR UD			
FB01-56-964	3				
76-724		RIVET			
8092-51-833	2				

AUFA02

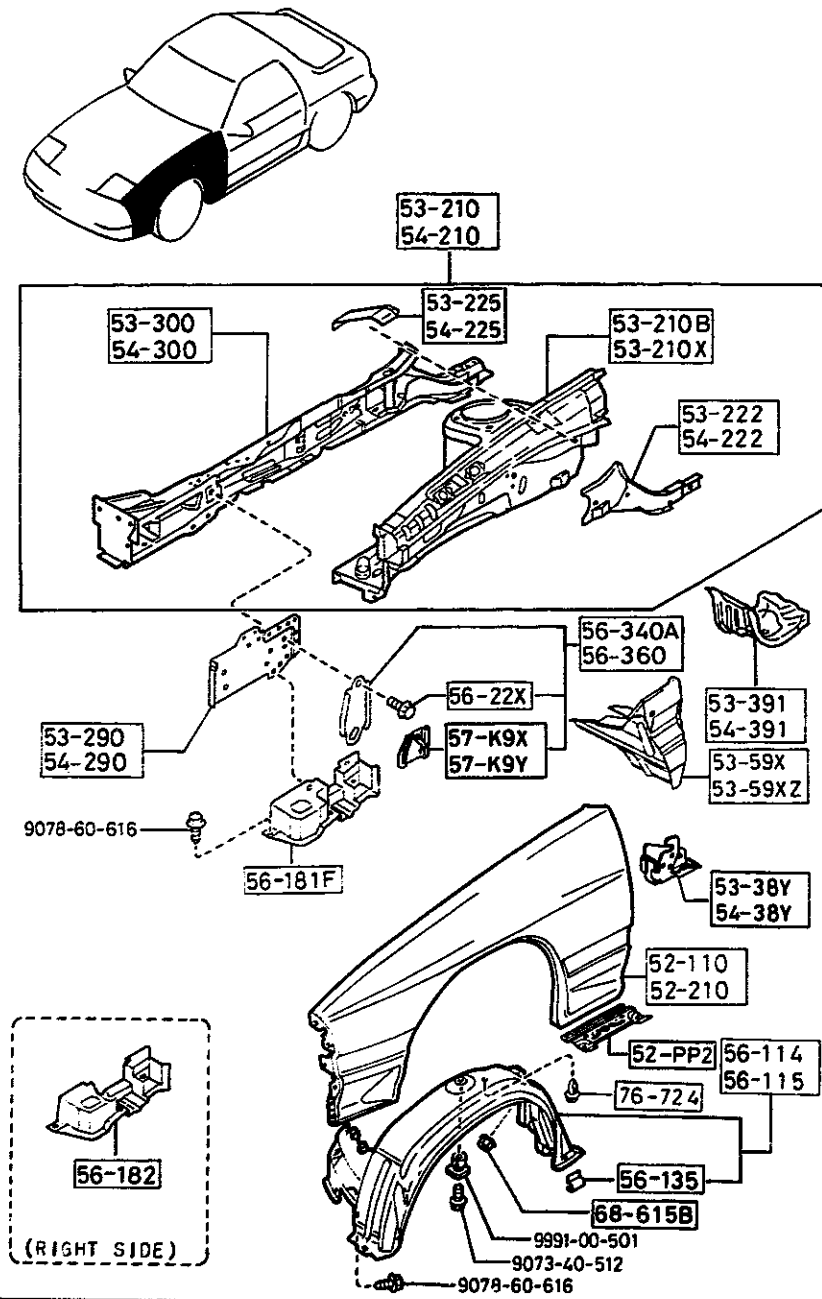
CAT. AUFA02-06

1992-05

3-E 7

5320 BODY PANELS (FENDER & WHEEL APRON)

5320 -1 BODY PANELS (FENDER & WHEEL APRON)

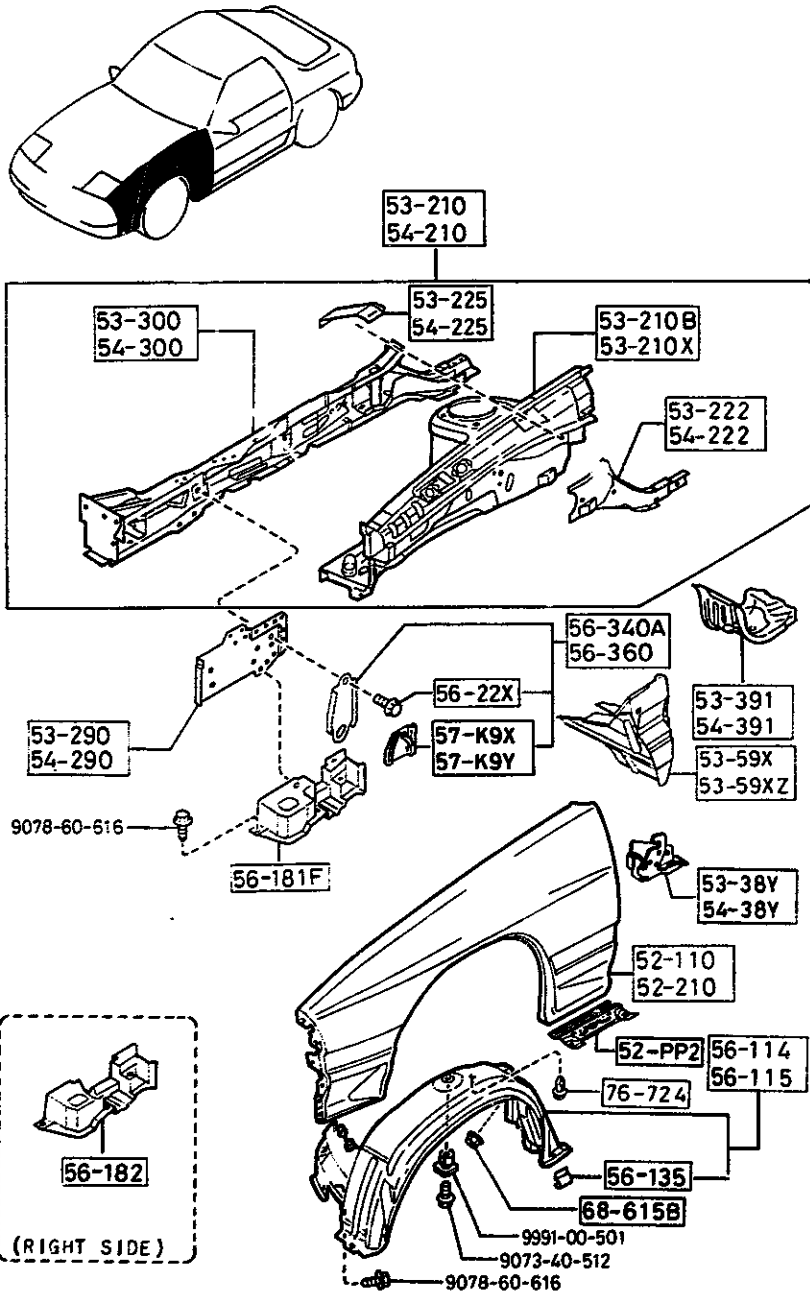


PART NO.	QTY	MODEL/RESTRICTION	MODEL/RESTRICTION	MODEL/RESTRICTION	FROM-TO
52-PP2		BRACKET, SIDE STEP-F.			
FC17-52-PP2	2	FENDER			
52-110		PANEL (R), FENDER-FRT.			
FC01-52-111	1	((CONVERTIBLE) ((CPE))>(W/O TURBO))			
FC17-52-111	1	((CPE))>(TURBO))			
52-210		PANEL (L), FENDER-FRT.			
FC01-52-211	1	((CONVERTIBLE) ((CPE))>(W/O TURBO))			
FC17-52-211	1	((CPE))>(TURBO))			
53-210		PANEL (R), WHEEL APRON			
FC66-53-200	1	((CONVERTIBLE)			-9201
FC01-53-200	1	((CPE))>(W/O TURBO))			-9201
FC33-53-200	1	((CONVERTIBLE))>(W/O AIR BAG))			-9201
FC49-53-200	1	((CPE))>(TURBO))			9201-9823
FB01-53-200E C (FB01-53-200F)	1				9201-9823
FB34-53-200E C (FB34-53-200F)	1				9201-9823
FB67-53-200D	1	((CONVERTIBLE))>(W/O AIR BAG))			9201-9823
FB01-53-200F	1	((CPE))>(W/O TURBO))			9823-
FB34-53-200F	1	((CPE))>(TURBO))			9823-
53-210B		PANEL (R), WHEEL APRON			
FC01-53-210	1	((CPE))>(W/O TURBO))			-9201
FC33-53-210	1	((CONVERTIBLE)			-9201
FC49-53-210	1	((CPE))>(TURBO))			-9201
FB67-53-210C A (FB67-53-210D)	1				9201-9801
FB01-53-210H C (FB01-53-210J)	1				9201-9823
FB34-53-210G C (FB34-53-210H)	1				9201-9823
FB67-53-210D	1	((CONVERTIBLE)			9801-9823
FB01-53-210J	1	((CPE))>(W/O TURBO))			9823-
FB34-53-210H	1	((CPE))>(TURBO))			9823-
FB01-53-200E FC46-51-120B C FB01-53-200F FB34-53-200E FC46-51-120B C FB34-53-200F FB01-53-210H FC46-51-120B		C FB01-53-210J FB34-53-210G FC46-51-120B C FB34-53-210H		9201 FC3***-701886 9801 FC3***-800894 9823 FC3***-801679	

AUFA02

CAT. AUFA02-06

1992-05



PART NO.	QTY	MODEL/RESTRICTION	MODEL/RESTRICTION	MODEL/RESTRICTION	FROM-TO
CONT'D					
FC66-53-210	1	(CONVERTIBLE)			9823-
53-210X		PANEL(L), WHEEL APRON			
FC01-54-210	1	((CPE))>(W/O TURBO)			-9201
FC33-54-210	1				-9201
AN(FB67-54-210G)					
FC49-54-210	1	((CPE))>(TURBO)			-9201
(FB67-54-210H)					
FB67-54-210G	1				9201-9801
A (FB67-54-210H)					
FB01-54-210M	1				9201-9823
C (FB01-54-210N)					
F044-54-210M	1				9201-9823
C (F044-54-210N)					
FB67-54-210H	1	(CONVERTIBLE)			9801-9823
FB01-54-210N	1	((CPE))>(W/O TURBO)			9823-
FC66-54-210	1	(CONVERTIBLE)			9823-
F044-54-210N	1	((CPE))>(TURBO)			9823-
53-222		PLATE(RR., R), CLOSING			
FB01-53-250A	1				-9823
53-225		REINF. (R), A.B.S.-APR ON			
FB34-53-225	1	((CPE))>(TURBO)			
53-290		PLATE(F., R), CLOSING			
FC01-53-240	1				-9823
FC66-53-240B	1				9823-9C01
AN(FC66-53-240C)					
FC66-53-240C	1				9C01-
53-300		FRAME (R), SIDE-FRONT			
FC01-53-310	1	(CPE)			-9823
FC33-53-310	1				-9823
A (FC33-53-310A)					
FC33-53-310A	1	(CONVERTIBLE)			9823-
53-38Y		BRACKET(R), CLOSING P LATE			
FB67-53-38YC	1	(CONVERTIBLE)			
53-391		BOX(R), TORQUE			
FB01-54-210M		9201 FCS***-701886			
FC46-51-130B		9801 FCS***-800894			
C FB01-54-210N		9823 FCS***-801679			
F044-54-210M		9C01 FCS***-804800			
FC46-51-130B					
C F044-54-210N					

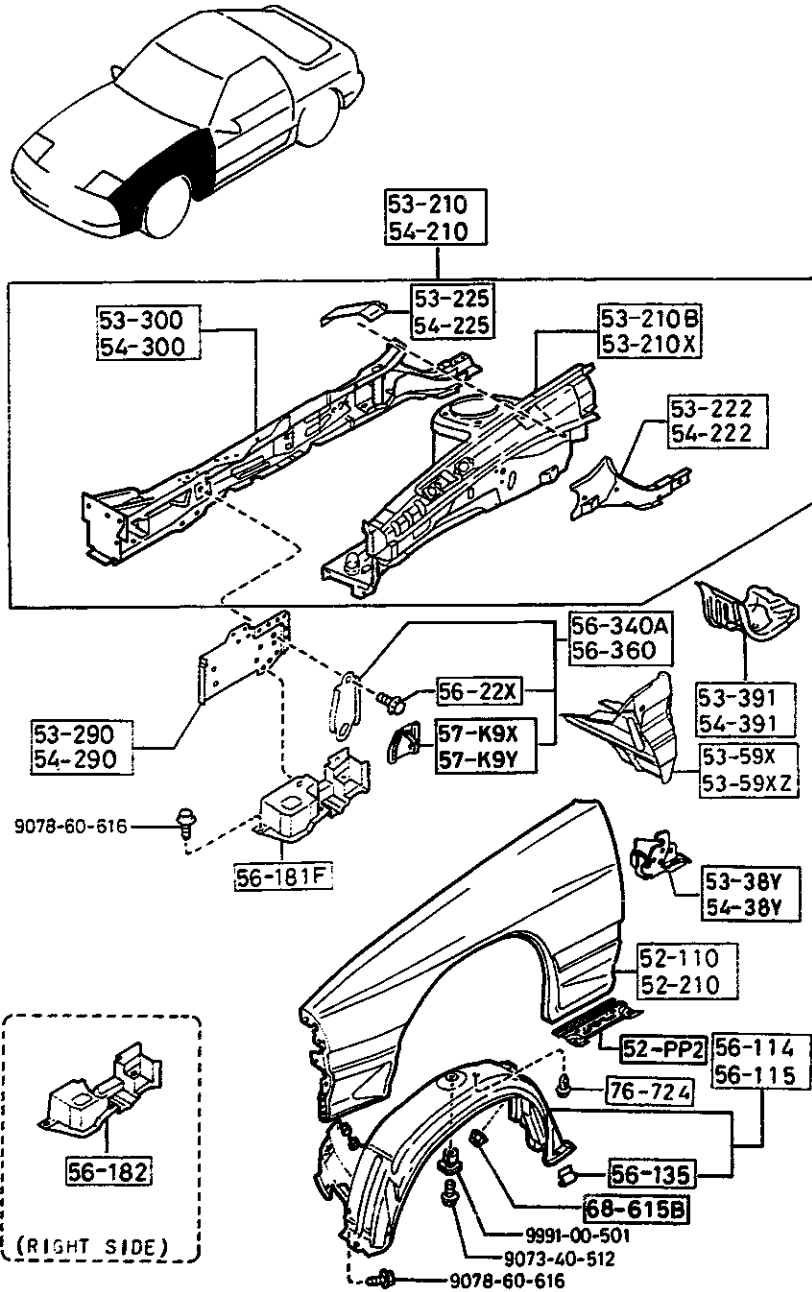
AUFA02

CAT. AUFA02-06

1992-05

5320 BODY PANELS (FENDER & WHEEL APRON)

5320 -3 BODY PANELS (FENDER & WHEEL APRON)



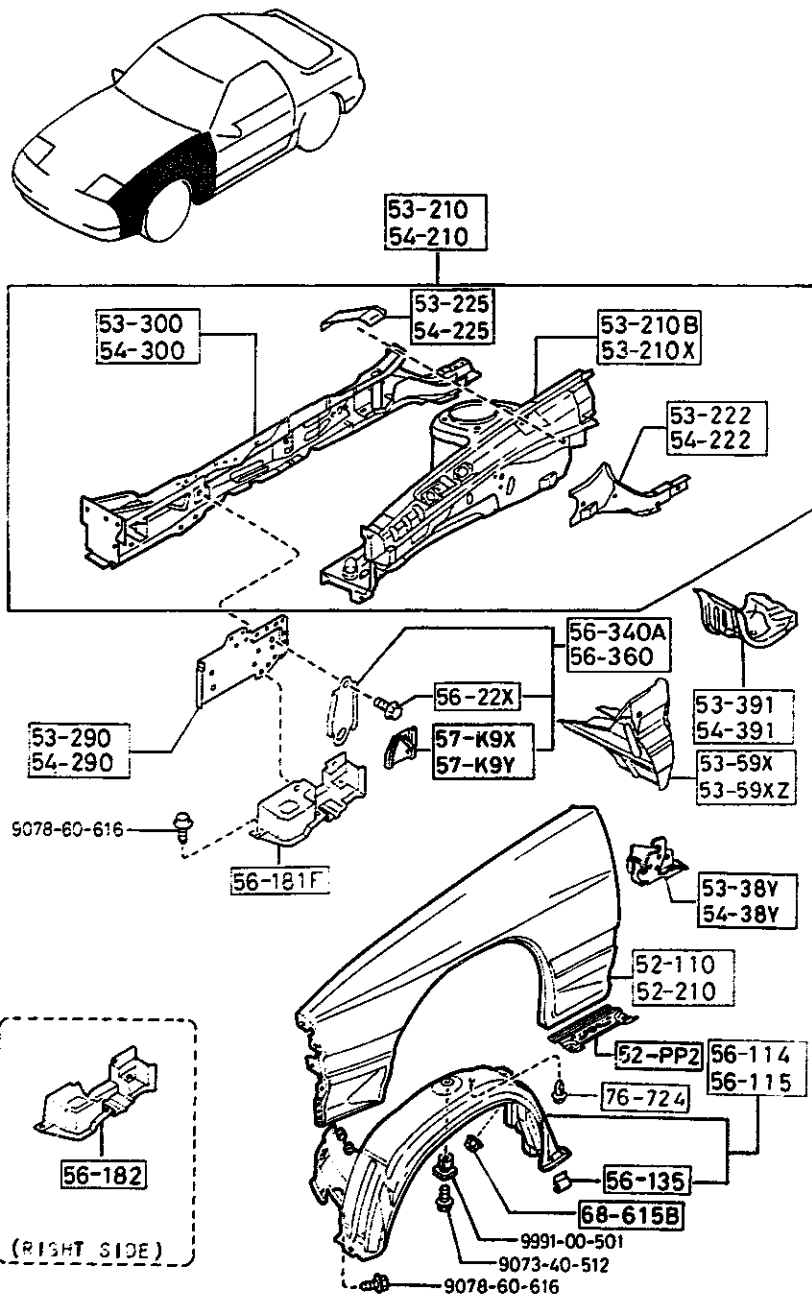
PART NO.	QTY	MODEL/RESTRICTION	MODEL/RESTRICTION	MODEL/RESTRICTION	FROM-TO
CONT'D					
FB01-53-391A	1	(CPE)			
FB67-53-391A	1	(CONVERTIBLE)			
53-59X		REINF.(R),WHEEL APRON			
FC56-53-59X	1	(CONVERTIBLE)			
53-59XZ		REINF.(L),WHEEL APRON			
FC56-54-59X	1	(CONVERTIBLE)			
54-210		PANEL(L),WHEEL APRON			
FC01-54-200	1	((CPE)>(W/O TURBO))			-9201
FC33-54-200 AN(FB67-54-200H)	1				-9201
FC49-54-200	1				-9823
FB01-54-200J	1				9201-9823
FB67-54-200H	1	(CONVERTIBLE)			9201-9823
FB01-54-200K	1	((CPE)>(W/O TURBO))			9823-
FC49-54-200A	1	((CPE)>(TURBO))			9823-
FC66-54-200	1	(CONVERTIBLE)			9923-
54-222		PLATE(RR.,L),CLOSING			
FB01-54-250A	1				
54-225		REINF.(L),A.B.S.-APRON			
F044-54-225	1	((CPE)>(TURBO))			
54-290		PLATE(F.,L),CLOSING			
FC01-54-240	1				-9823
FC66-54-240B AN(FC66-54-240C)	1				9823-9C01
FC66-54-240C	1				9C01-
54-300		FRAME(L),SIDE-FRONT			
FC01-54-310	1	(CPE)			
FC33-54-310 A (FC33-54-310A)	1				-9823
FC33-54-310A	1	(CONVERTIBLE)			9823-
54-38Y		BRACKET(L),CLOSING PLATE			
FB67-54-38YC	1	(CONVERTIBLE)			
9201	FC3MXX-701886				
9823	FC3MXX-801679				
9C01	FC3MXX-804800				

AUFA02

CAT. AUFA02-06

1992-05

3-H 7



PART NO.	QTY	MODEL/RESTRICTION	MODEL/RESTRICTION	MODEL/RESTRICTION	FROM-TO
54-391		BOX(L), TORQUE			
FB01-54-391A	1	(CPE)			
FB67-54-391A	1	(CONVERTIBLE)			
56-114		GUARD(R), MUD			
FC01-56-130	1	(CPE)			
FC33-56-130	1	(CONVERTIBLE)			-9808
FC66-56-130	1	(CONVERTIBLE)			9808-
56-115		GUARD(L), MUD			
FC01-56-140	1	(CPE)			
FC33-56-140	1	(CONVERTIBLE)			-9808
FC66-56-140	1	(CONVERTIBLE)			9808-
56-135		RUBBER, STOP			
8173-56-135	10				
56-181F		PLATE(L), SEAL-CLOSING			
FB01-56-181A	1				
56-182		PLATE(R), SEAL-CLOSING			
FB01-56-182A	1				
56-22X		BOLT, TIE DOWN HOOK-FRONT			
FB01-56-22X	6				
56-340A		HOOK(R), TIE DOWN-FRONT			
FC66-56-220A	1	(W/AIR BAG)			
FB01-56-221A	1	(W/O AIR BAG)			
56-360		HOOK(L), TIE DOWN-FRONT			
FC66-56-230A	1	(W/AIR BAG)			
FB01-56-231A	1	(W/O AIR BAG)			
57-K9X		PROTECTOR(R), AIR BAG			
FC66-57-K9XB	1	(CONVERTIBLE)			9823-
57-K9Y		PROTECTOR(L), AIR BAG			
FC66-57-K9YB	1	(CONVERTIBLE)			9823-
9808 FC3MM-801273 9823 FC3MM-801679					

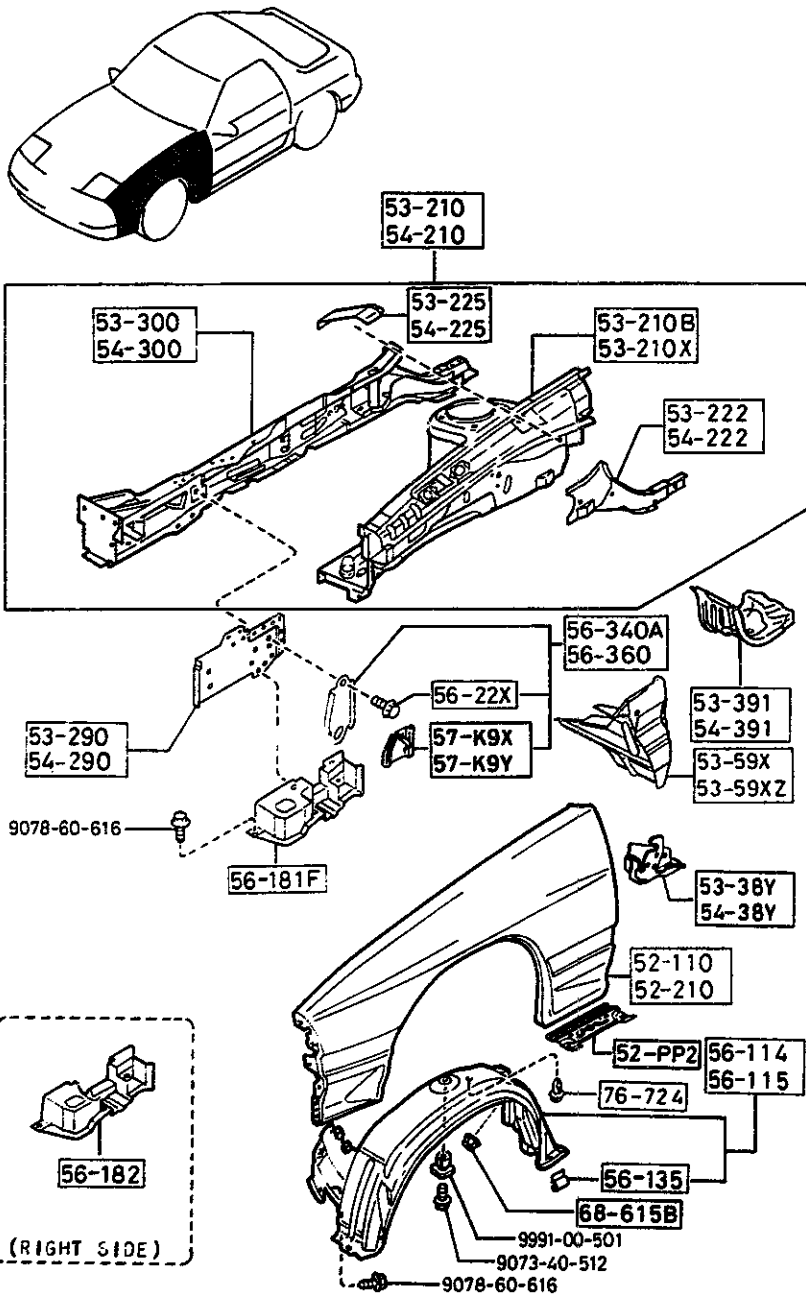
AUFA02

CAT. AUFA02-06

1992-05

5320 BODY PANELS (FENDER & WHEEL APRON)

5320 -5 * BODY PANELS (FENDER & WHEEL APRON)



PART NO.	QTY	MODEL/RESTRICTION	MODEL/RESTRICTION	MODEL/RESTRICTION	FROM-TO
68-615B		NUT, FLANGE-CAP			
B100-68-615	2	(CPE)			
76-724		RIVET			
B092-51-833	2				

FROM-TO

-9726

-0315

0315-0417

0417-

-0315

0315-0417

1992-05

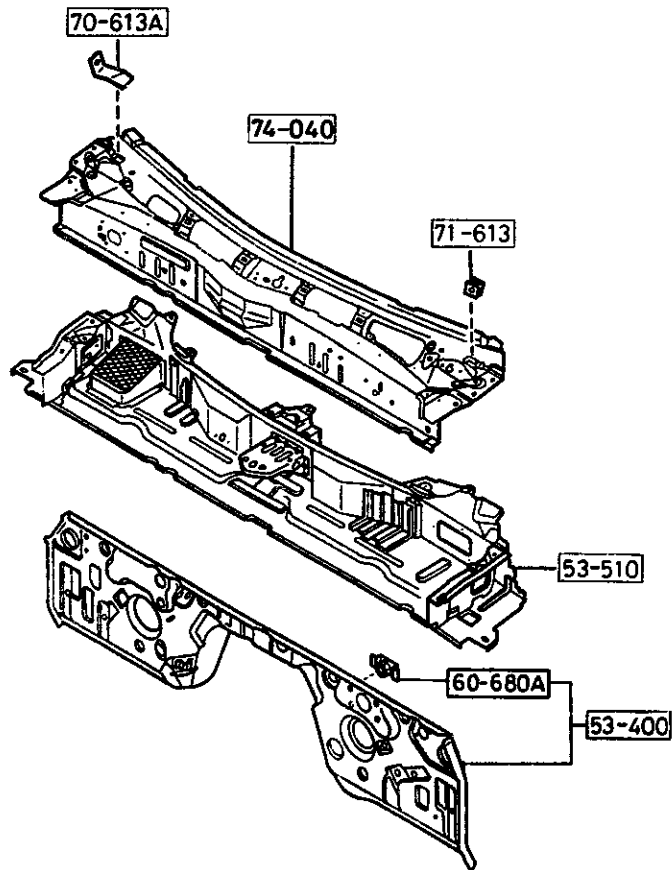
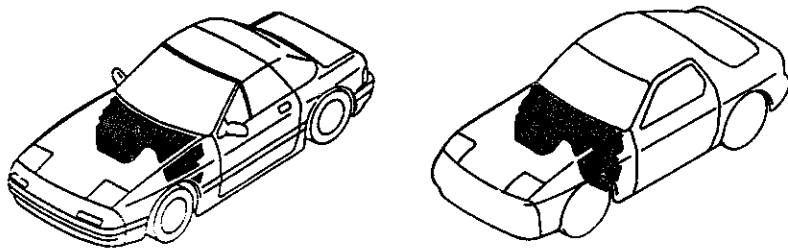
AUFA02

CAT. AUFA02-06

1992-05

5330 BODY PANELS (DASH & COWL PANEL)

5330 -I * BODY PANELS (DASH & COWL PANEL)



PART NO.	QTY	MODEL/RESTRICTION	MODEL/RESTRICTION	MODEL/RESTRICTION	FROM-TO
53-400		PANEL,DASH-LOWER			
FB01-54-400H	1	((CPE))>(W/O TURBO)			
FB55-54-400D	1	((CPE))>(TURBO)			
FB67-54-400E	1	(CONVERTIBLE)			
53-510		PANEL,DASH-UPPER			
FB01-53-510C	1	(CPE)			
FB67-53-510C	1				-9801
A (FC66-53-510)					
FC66-53-510	1	(CONVERTIBLE)			9801-
60-680A		BRACKET,FLOOR			
0305-53-160	2				
70-613A		BRKT(R),PILLAR GARNI			
FB01-70-613B	1	SH			
71-613		BRKT(L),PILLAR GARNI			
FB01-71-613B	1	SH			
74-040		PANEL,COWL			
FB01-70-610L	1	(CPE)			
FB67-70-610E	1	(CONVERTIBLE)			
9801 FC3MM-800894					

AUFA02

CAT. AUFA02-06

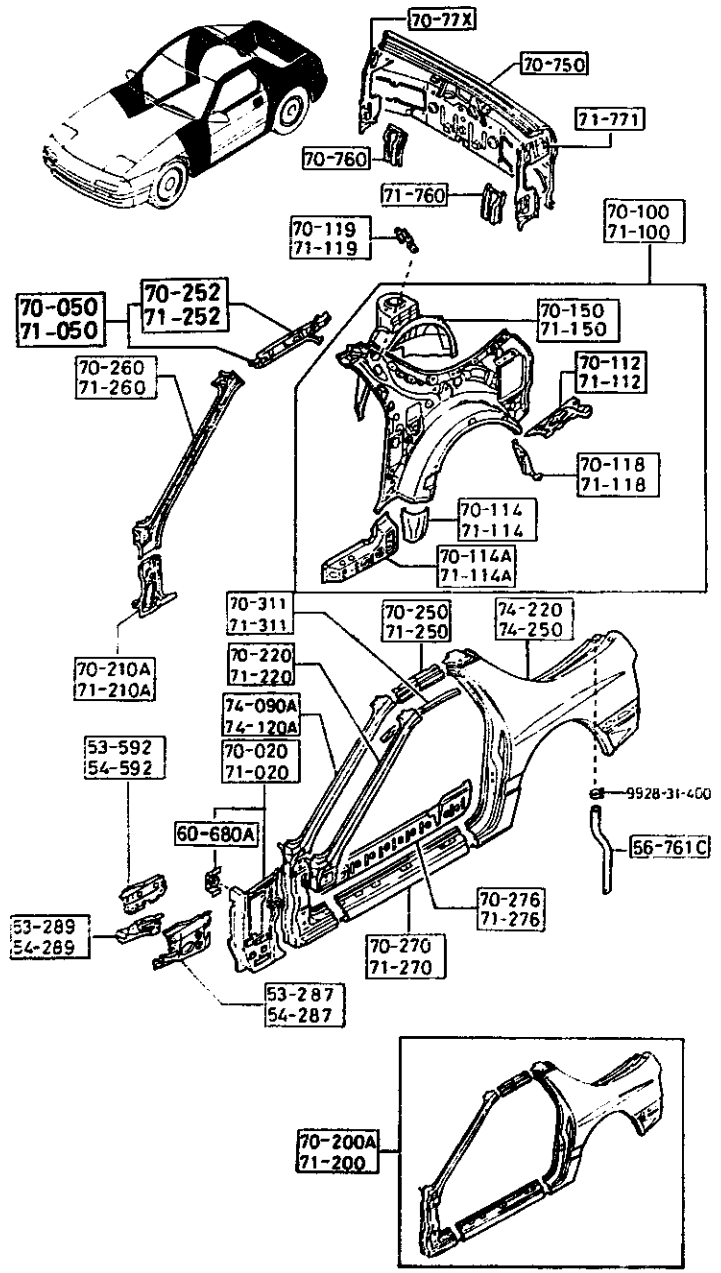
1992-05

3-K 7

5340 BODY PANELS (SIDE)
(COUPE)

5340 -1 BODY PANELS (SIDE)
(COUPE)

FROM-TO
-9101
9101-
-9101
9101-
-9101
9101-
-9801
9801-
1992-05



PART NO.	QTY	MODEL/RESTRICTION	MODEL/RESTRICTION	MODEL/RESTRICTION	FROM-TO
53-287 FB01-53-287A	1	REINF.(R),COWL SIDE PANEL			
53-289 FB01-53-289	1	REINF.(R),COWL SIDE- INNER			
53-592 FB01-53-592B	1	PLATE(UP.,R),COWL SI DE-OU			
54-287 FB01-54-287A	1	REINF.(L),COWL SIDE PANEL			
54-289 FB01-54-289	1	REINF.(L),COWL SIDE- INNER			
54-592 FB01-54-592B	1	PLATE(UP.,L),COWL SI DE-OU			
56-761C FB01-56-761	2	PIPE,DRAIN-RR FENDER			
60-680A 0305-53-160	1	BRACKET,FLOOR			
70-020 FB01-70-210E	1	PANEL(R),COWL SIDE			
70-050 FC01-70-050	1	RAIL(R),ROOF-INNER (W/O SUN-RF)			
70-050 FC03-70-050	1	(SUNROOF)			
70-100 FC01-70-100B AN(FC01-70-100C)	1	PANEL(R),QUARTER			-9601
70-112 FB01-70-112A	1	PANEL(RR,R),QUARTER -LOW.			9601-
70-114 FC01-70-113	1	PLATE(R),END			
9601 FC3MHN-708021					

AUFA02

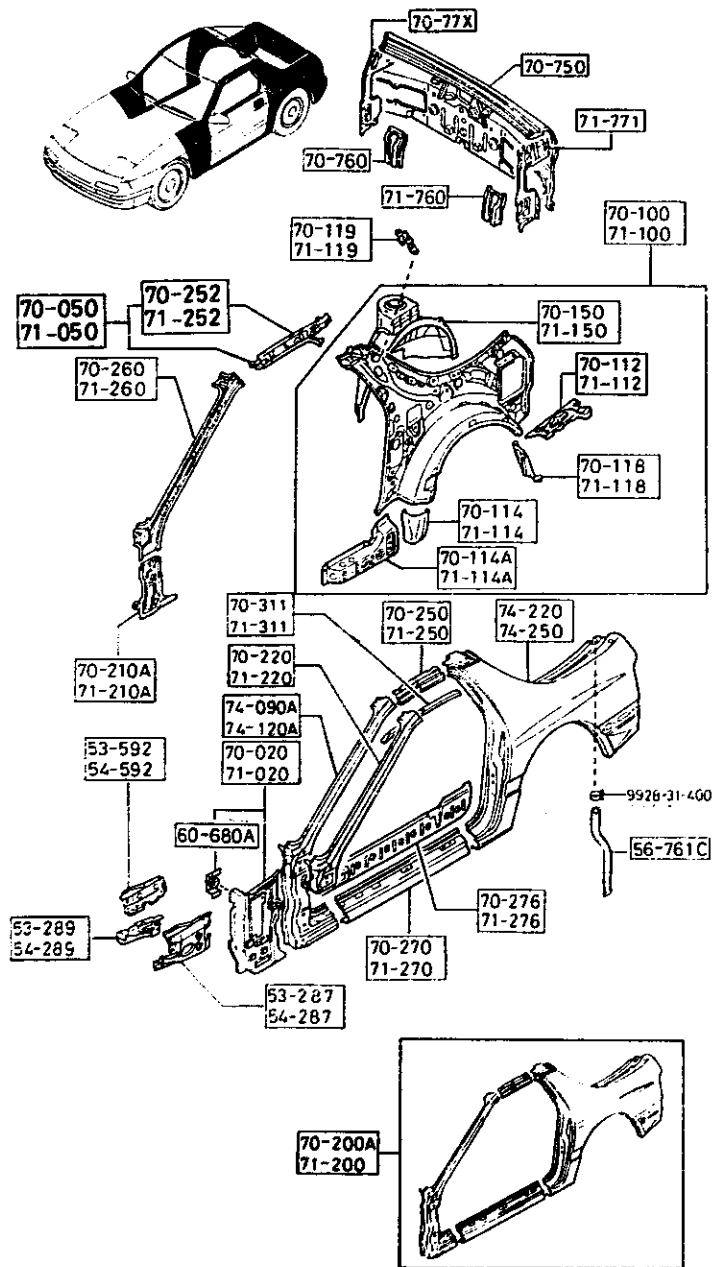
CAT. AUFA02-06

1992-05

3-L-7

5340 BODY PANELS (SIDE)
(COUPE)

5340 -2 BODY PANELS (SIDE)
(COUPE)



PART NO.	QTY	MODEL/RESTRICTION	MODEL/RESTRICTION	MODEL/RESTRICTION	FROM-TO
70-114A		JUNCTION(R), CORNER-PANE			
FB01-70-114A	1				
70-118		PROTECTOR(R), SPLASH			
FB01-70-118A	1				
70-119		BRKT(R), TRIM-QTR PANEL			
FB01-70-119A	1				
70-150		PANEL(R), WHEEL HOUSE			
FC01-70-150	1				-9601
AN(FC01-70-150A)					
FC01-70-150A	1				9601-9C01
A (FC01-70-150B)					
FC01-70-150B	1				9C01-
70-200A		FRAME(R), SIDE-OUTER			
FCY1-70-200A	1				
70-210A		PILLAR(R), HINGE			
FB01-70-020	1				
70-220		PILLAR(R, UP.), FRONT-			
FB01-70-220D	1				
70-250		RAIL(R), ROOF-OUTER			
FBY1-70-251	1				
70-252		REINF.(R), ROOF RAIL			
FC01-70-052	1				
70-260		PILLAR(R), FRT.-INNER			
FC01-70-240B	1				
70-270		PANEL(R), SIDE SILL			
FCY1-70-271A	1				
70-276		REINF.(R), SIDE SILL			
FB01-70-273	1				
70-311		RAIL(P), RAIN			
9601 FC3MM-708021 9C01 FC3MM-804800					

AUFA02

CAT. AUFA02-06

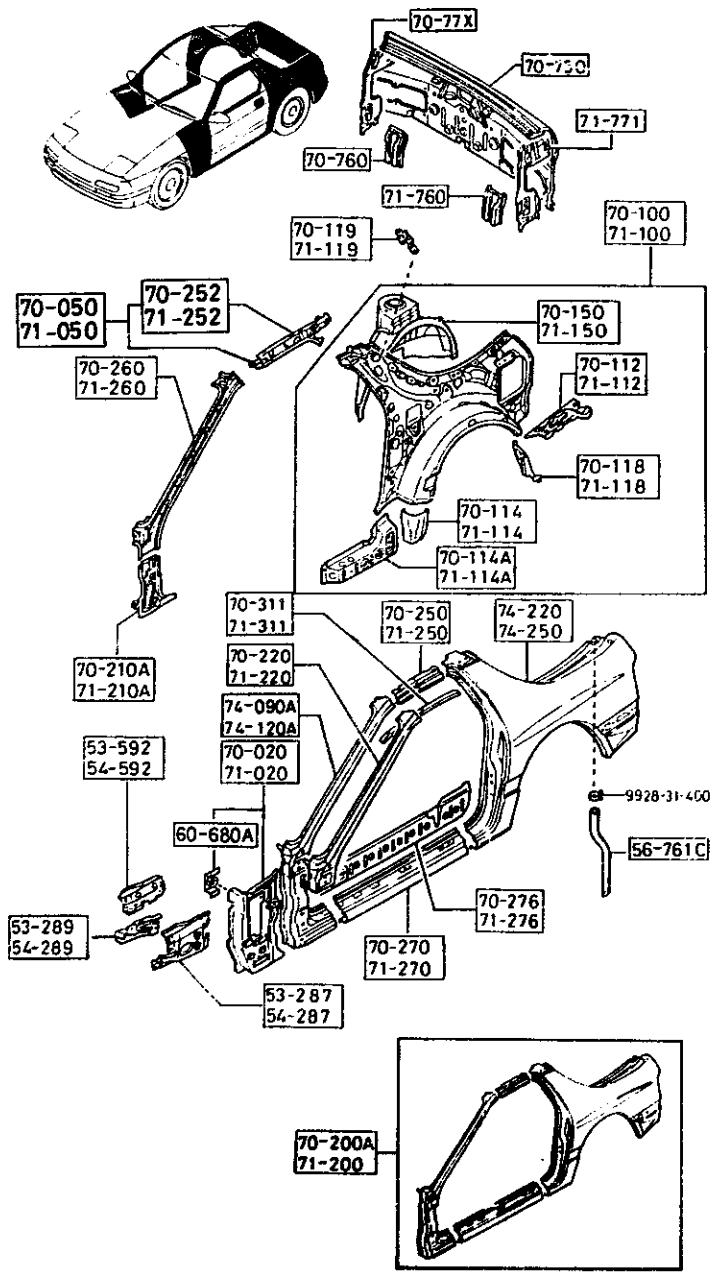
1992-05

3-M 7

5340 BODY PANELS (SIDE)
(COUPE)

5340 -3 BODY PANELS (SIDE)
(COUPE)

FROM-TO



PART NO.	QTY	MODEL/RESTRICTION	MODEL/RESTRICTION	MODEL/RESTRICTION	FROM-TO
CONT'D					
FB01-70-321A	1				
70-750		PANEL, REAR END			
FC01-70-75X	1				
70-760		TOWER(R), LOCK-RR END PANEL			
FB01-70-760C	1				
70-77X		PANEL(R), QTR-REAR END			
FB01-70-77X	1				
71-020		PANEL(L), COWL SIDE			
FB01-71-210F	1				
71-050		RAIL(L), ROOF-INNER			
FC01-71-050	1	(W/O SUN-RF)			
FC03-71-050	1	(SUNROOF)			
71-100		PANEL(L), QUARTER			
FC01-71-100B AN(FC01-71-100C)	1				-9601
FC01-71-100C	1				9601-
71-112		PANEL(RR, L), QUARTER-LOW			
FB01-71-112D	1				
71-114		PLATE(L), END			
FC01-71-113	1				
71-114A		JUNCTION(L), CORNER-PANE			
FB01-71-114A	1				
71-118		PROTECTOR(L), SPLASH			
FB01-71-118A	1				
71-119		BRKT(L), TRIM-QTR PANEL			
FB01-71-119A	1				
71-150		PANEL(L), WHEEL HOUSE			
FC01-71-150 AN(FC01-71-150A)	1				-9601
9601 FCSMNN-708021					

1992-05

AUFA02

CAT. AUFA02-06

1992-05

3-N 7

SECTION NAME INDEX (BODY)1/2

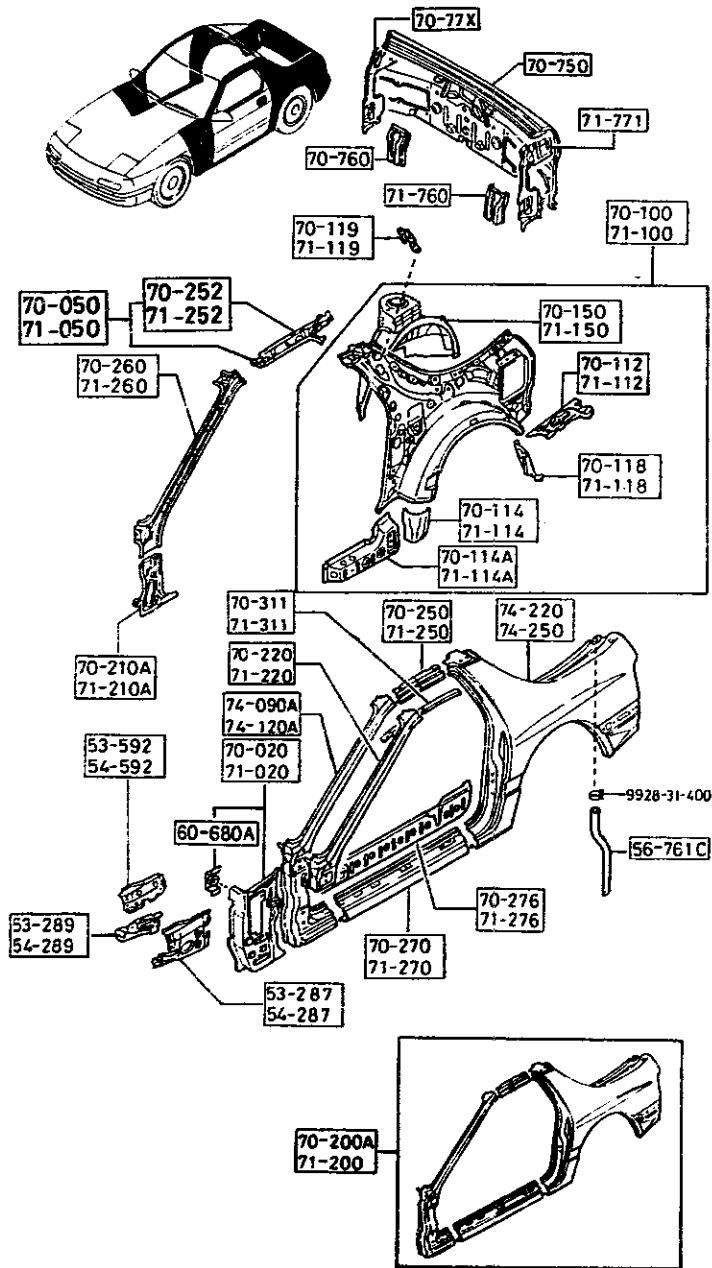
LO.NO	SEC.NO	SECTION NAME	LO.NO	SEC.NO	SECTION NAME	LO.NO	SEC.NO	SECTION NAME
3-C03	0900	KEY SETS	3-J09	5390	FLOOR ATTACHMENTS			
3-F03	5000	FRONT BUMPER	3-C10	5500	DASHBOARD EQUIPMENTS			
3-H03	5010	REAR BUMPER	3-F10	5520	METER HOOD			
3-J03	5020	HEAD LAMP CLEANER	3-G10	5530	SPEEDOMETER CABLE			
3-L03	5030	WINDOW MOULDINGS	3-H10	5540	METER COMPONENTS			
3-M03	5040	BODY MOULDINGS (COUPE)	3-J10	5560	DASHBOARD & RELATED PARTS			
3-E04	5060	SIDE PROTECTORS	3-E11	5570	CONSOLE			
3-I04	5100	HEAD LAMPS	3-H11	5580	VENTILATOR			
3-J04	5103	HEAD LAMP RETRACTORS	3-J11	5700	FRONT SEATS (COUPE)			
3-N04	5105	FRONT COMBINATION LAMPS	3-E13	5700A	FRONT SEATS (CONVERTIBLE)			
3-G05	5110	REAR COMBINATION LAMPS	3-K13	5750	REAR SEATS (COUPE)			
3-K05	5120	LICENSE LAMPS	3-M13	5790	SEAT BELTS (COUPE)			
3-M05	5125	INTERIOR LAMPS	3-C14	5790A	SEAT BELTS (CONVERTIBLE)			
3-N05	5130	OVERHEAD CONSOLE	3-D14	5800	FRONT DOORS (COUPE)			
3-C06	5170	ORNAMENTS	3-G14	5800A	FRONT DOORS (CONVERTIBLE)			
3-D06	5180	COWL & EXTRACTOR GRILLES	3-K14	5830	FRONT DOOR MECHANISMS (COUPE)			
3-G06	5230	BONNET	3-F15	5830A	FRONT DOOR MECHANISMS (CONVERTIBLE)			
3-J06	5260	TRUNK LID (CONVERTIBLE)	3-J15	5840	FRONT DOOR TRIMS & RELATED PARTS (COUPE)			
3-L06	5310	BODY PANELS (FRONT) (COUPE)	3-H16	5840A	FRONT DOOR TRIMS & RELATED PARTS (CONVERTIBLE)			
3-C07	5310 A	BODY PANELS (FRONT) (CONVERTIBLE)						
3-F07	5320	BODY PANELS (FENDER & WHEEL ARCH IRON)						
3-K07	5330	BODY PANELS (DASH & COWL PANEL)						
3-L07	5340	BODY PANELS (SIDE) (COUPE)						
3-E08	5340A	BODY PANELS (SIDE) (CONVERTIBLE)						
3-K08	5360	BODY PANELS (ROOF) (W/O SUN ROOF)						
3-L08	5360 A	BODY PANELS (ROOF) (SUN ROOF)						
3-M08	5370	BODY PANELS (FLOOR) (COUPE)						
3-D09	5370 A	BODY PANELS (FLOOR) (CONVERTIBLE)						
3-H09	5380	FLOOR ATTACHMENTS (HOLE COVERS)						

CATLOG-NO= AUFAD2-06

DATE. 1992-05

5340 BODY PANELS (SIDE)
(COUPE)

5340 -4 BODY PANELS (SIDE)
(COUPE)



PART NO.	QTY	MODEL/RESTRICTION	MODEL/RESTRICTION	MODEL/RESTRICTION	FROM-TO
CONT'D					
FC01-71-150A	1				9601-9C01
A (FC01-71-150B)					
FC01-71-150B	1				9C01-
71-200		FRAME(L),SIDE-OUTER			
FCY1-71-200A	1				
71-210A		PILLAR(L),HINGE			
FB01-71-020	1				
71-220		PILLAR(L,UP.),FRONT-			
FB01-71-220D	1				
71-250		RAIL(L),ROOF-OUTER			
FBY1-71-251	1				
71-252		REINF.(L),ROOF RAIL			
FC01-71-052	1				
71-260		PILLAR(L),FRT.-INNER			
FC01-71-240B	1				
71-270		PANEL(L),SIDE SILL			
FCY1-71-271A	1				
71-276		REINF.(L),SIDE SILL			
FB01-71-273	1				
71-311		RAIL(L),RAIN			
FB01-71-321A	1				
71-760		TOWER(L),LOCK-RR END PANEL			
FB01-71-760B	1				
71-771		PANEL(L),QTR-REAR EN D			
FB01-71-771A	1				
74-090A		PILLAR(R),FRONT-OUT.			
FBY1-70-210C	1				
74-120A		PILLAR(L),FRONT-OUT.			
9601	FC3MXX-708021				
9C01	FC3MXX-804800				

AUFA02

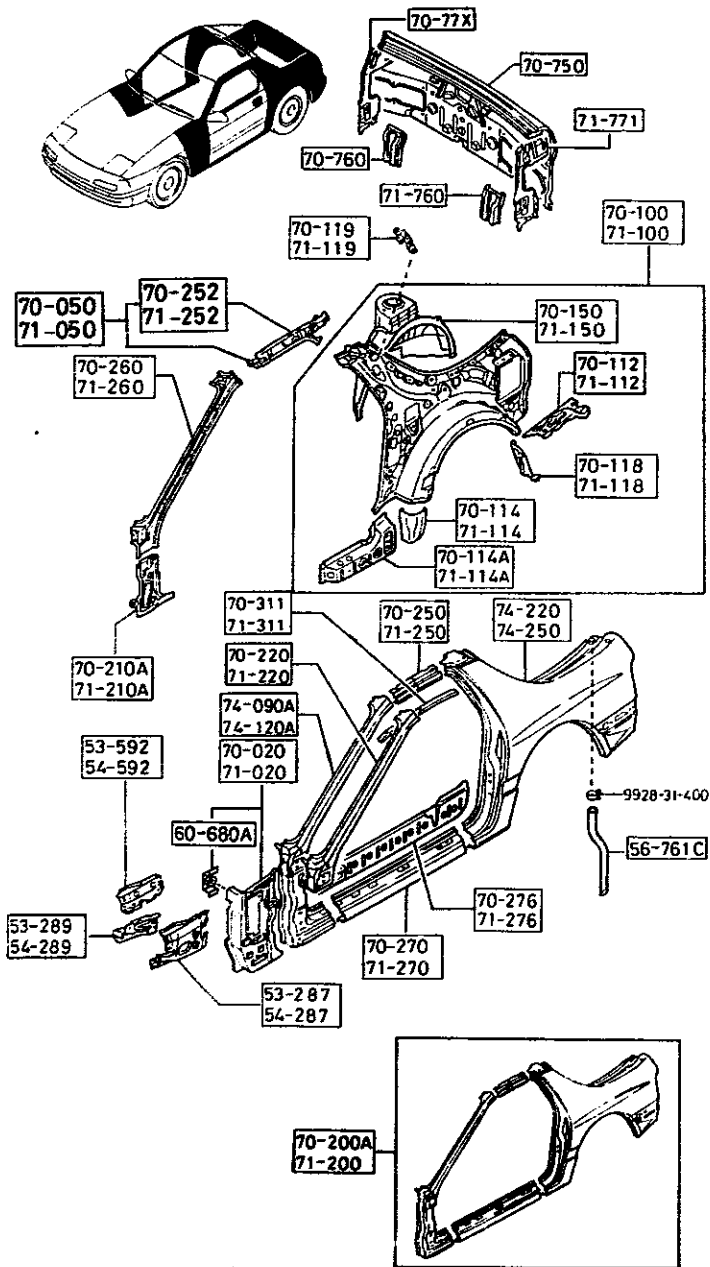
CAT. AUFA02-06

1992-05

3-C 8

5340 BODY PANELS (SIDE)
(COUPE)

5340 -5 * BODY PANELS (SIDE)
(COUPE)



PART NO.	QTY	MODEL/RESTRICTION	MODEL/RESTRICTION	MODEL/RESTRICTION	FROM-TO
CONT'D FBY1-71-210C	1				
74-220		PANEL (R), FENDER-REAR			
FCY1-70-400	1				
74-250		PANEL (L), FENDER-REAR			
FCY1-71-400	1				

5370 A

53-

53-79

53-

53-

53-

53-

53-

53-

53-607

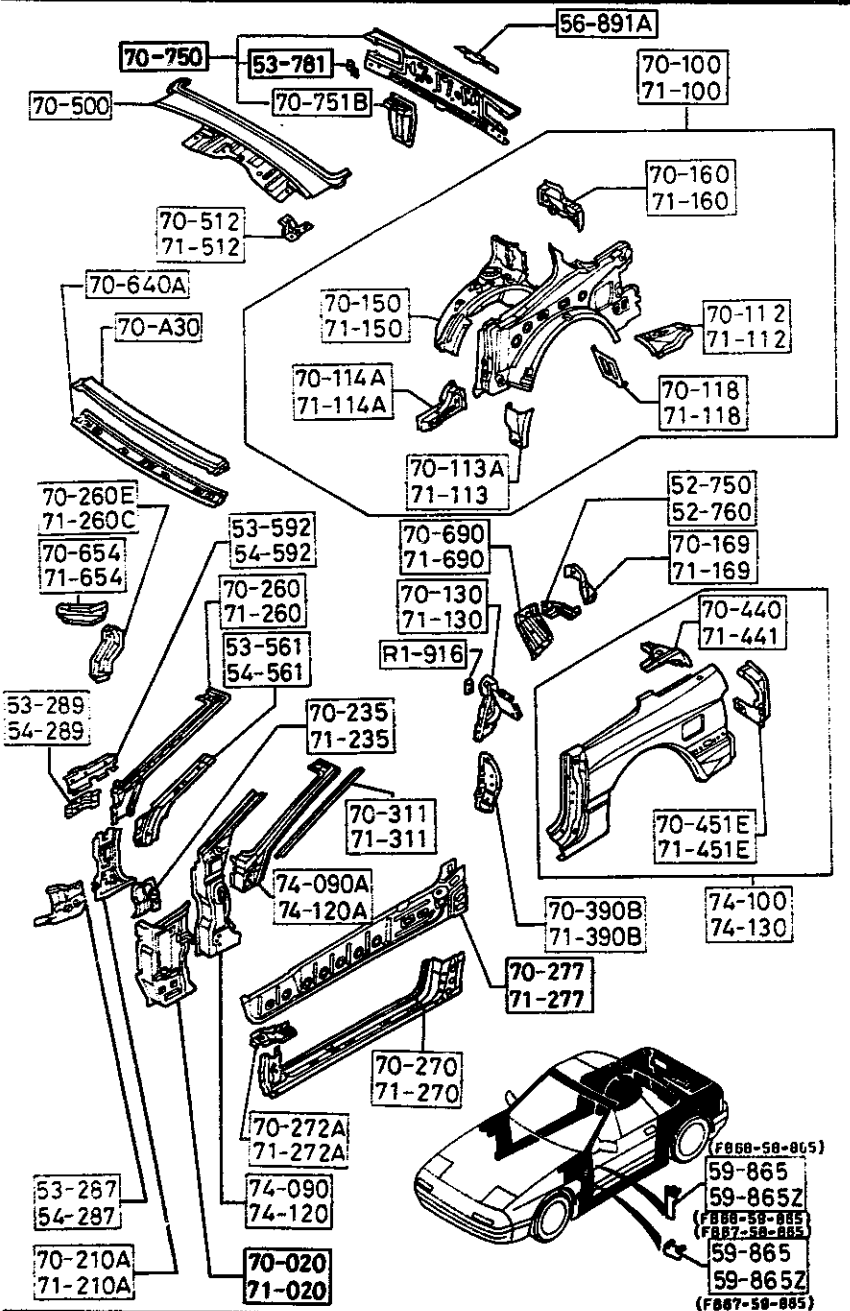
53-606

56-780

53-

53-

5340A BODY PANELS (SIDE)
(CONVERTIBLE)



5340A -1 BODY PANELS (SIDE)
(CONVERTIBLE)

PART NO.	QTY	MODEL/RESTRICTION	MODEL/RESTRICTION	MODEL/RESTRICTION	FROM-TO
R1-916		PLATE, SET-HINGE BRACKET			
FB67-R1-916	2				
52-750		BRKT(R), DAMPER STAY-QTR			
FB67-52-750	1				
52-760		BRKT(L), DAMPER STAY-QTR			
FB67-52-760	1				
53-287		REINF. (R), COWL SIDE PANEL			
FB67-53-287	1				
53-289		REINF. (R), COWL SIDE-INNER			
FB01-53-289	1				
53-561		REINF. (R), F. PILLER INNER			
FB67-70-246B	1				
53-592		PLATE (UP., R), COWL SIDE-OU			
FB67-53-592	1				
53-781		BRACKET, GRILLE-C			
0305-53-781A	4				
54-287		REINF. (L), COWL SIDE PANEL			
FB67-54-287	1				
54-289		REINF. (L), COWL SIDE-INNER			
FB01-54-289	1				
54-561		REINF. (L), F. PILLER INNER			
FB67-71-246B	1				
54-592		PLATE (UP., L), COWL SIDE-OU			
FB67-54-592	1				
56-891A		REINF. LOCK-R. END PANEL			
FB67-56-890	1				
59-865		VALVE (R), SHUTTER			
FB67-58-865	1				

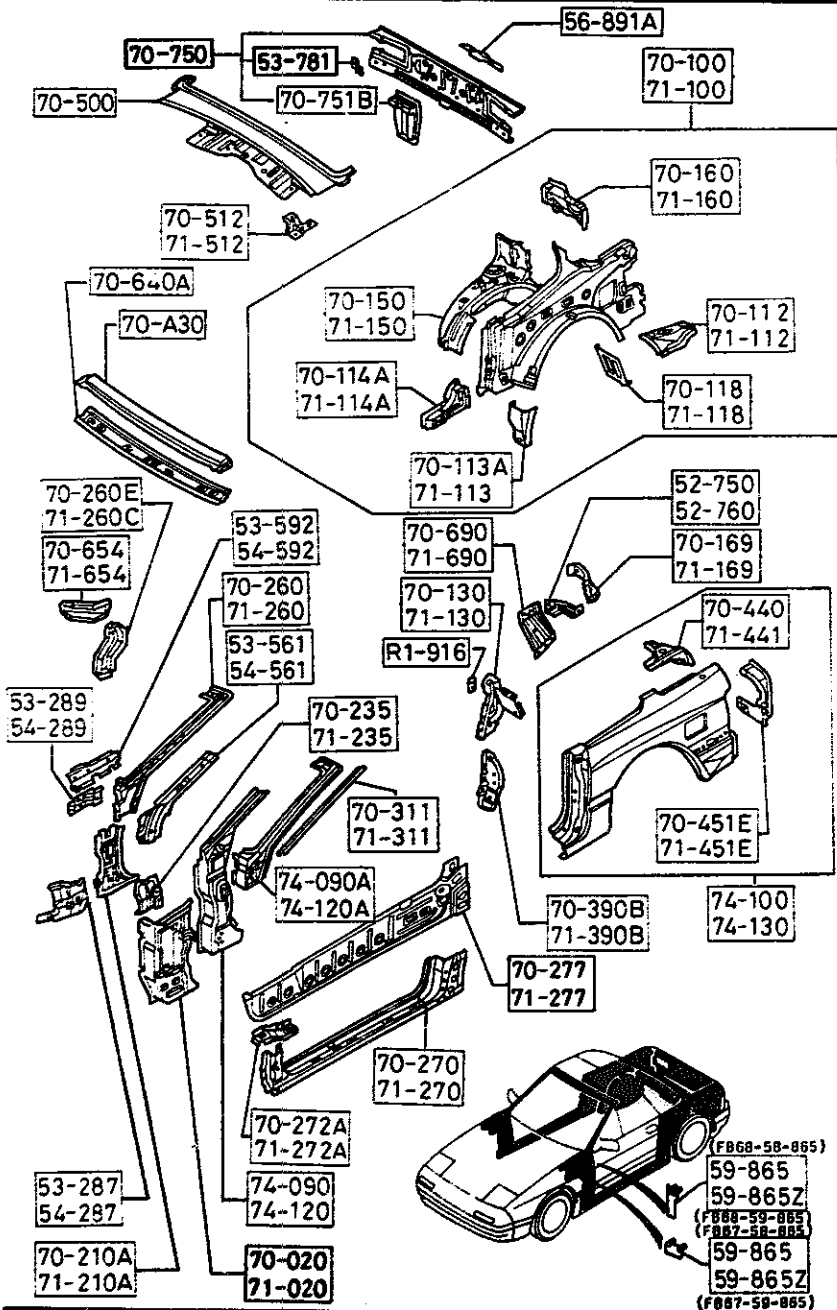
AUFA02

CAT. AUFA02-06

1992-05

5340A BODY PANELS (SIDE)
(CONVERTIBLE)

5340A -2 BODY PANELS (SIDE)
(CONVERTIBLE)



PART NO.	QTY	MODEL/RESTRICTION	MODEL/RESTRICTION	MODEL/RESTRICTION	FROM-TO
CONT'D					
FB68-58-865	1				
59-865Z		VALVE(L), SHUTTER			
FB67-59-865	1				
FB68-59-865	1				
70-A30		HEADER, FRONT-OUTER			
FB67-70-631B	1				
70-020		PANEL (R), COWL SIDE			
FB67-70-230C	1				
70-100		PANEL (R), QUARTER			
FC33-70-100 AN(FC33-70-100A)	1				-9601
FC33-70-100A	1				9601-
70-112		PANEL (RR, R), QUARTER -LOW.			
FB01-70-112A	1				
70-113A		PLATE (R), SEAL			
FB67-70-113	1				
70-114A		JUNCTION (R), CORNER-Q /PANE			
FB67-70-114	1				
70-118		PROTECTOR (R), SPLASH			
FB01-70-118A	1				
70-130		BRKT (R), FORMING BAR			
FB67-70-130D	1				
70-150		PANEL (R), WHEEL HOUSE			
FB67-70-150B AN(FB67-70-150C)	1				-9601
FB67-70-150C A (FB67-70-150D)	1				9601-9C01
FB67-70-150D	1				9C01-
70-160		PLATE (R), REAR CORNER -IN.			
FB67-70-160B	1				

9601 FC33XXX-708021
9C01 FC33XXX-804800

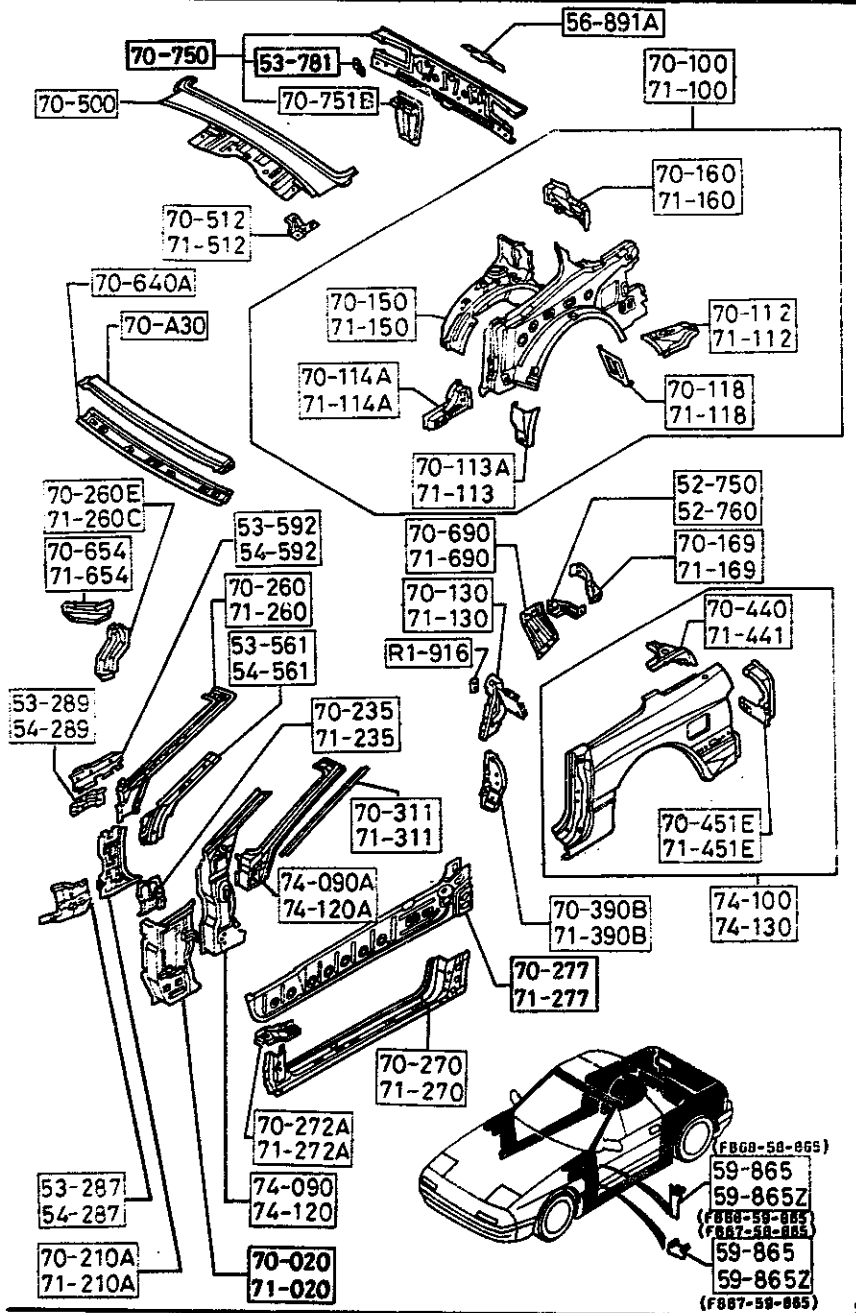
AUFA02

CAT. AUFA02-06

1992-05

5340A BODY PANELS (SIDE)
(CONVERTIBLE)

5340A -3 BODY PANELS (SIDE)
(CONVERTIBLE)



PART NO.	QTY	MODEL/RESTRICTION	MODEL/RESTRICTION	MODEL/RESTRICTION	FROM-TO
70-169		REINF.(R),QTR PANEL-REAR			
FB67-70-169A	1				
70-210A		PILLAR(R),HINGE			
FB67-70-020C	1				
70-235		GUSSET(R),HINGE PILLER			
FB67-53-698	1				
70-260		PILLAR(R),FRT.-INNER			
FB67-70-240B	1				
70-260E		BRKT(R),INST.			
FB67-70-260	1				
70-270		PANEL(R),SIDE SILL			
FC33-70-270	1				
70-272A		PLATE(R),FIXING-SIDE SILL			
FB67-70-272	1				
70-277		REINF.(R),SIDE SILL			
FC33-53-790	1				
70-311		RAIL(R),RAIN			
FB67-70-222A	1				
70-390B		REINF.(R),STRIKER			
FB67-70-420	1				
70-440		PLATE(R),CORNER			
FB67-70-441A	1				
70-451E		HOUSING(R),LAMP-RR FENDER			
FB67-70-491A	1				
70-500		TRAY,PACKAGE			
FB67-70-500D	1				
70-512		BRACKET(R),TRIM-QTR PANEL			
FB67-70-512	1				

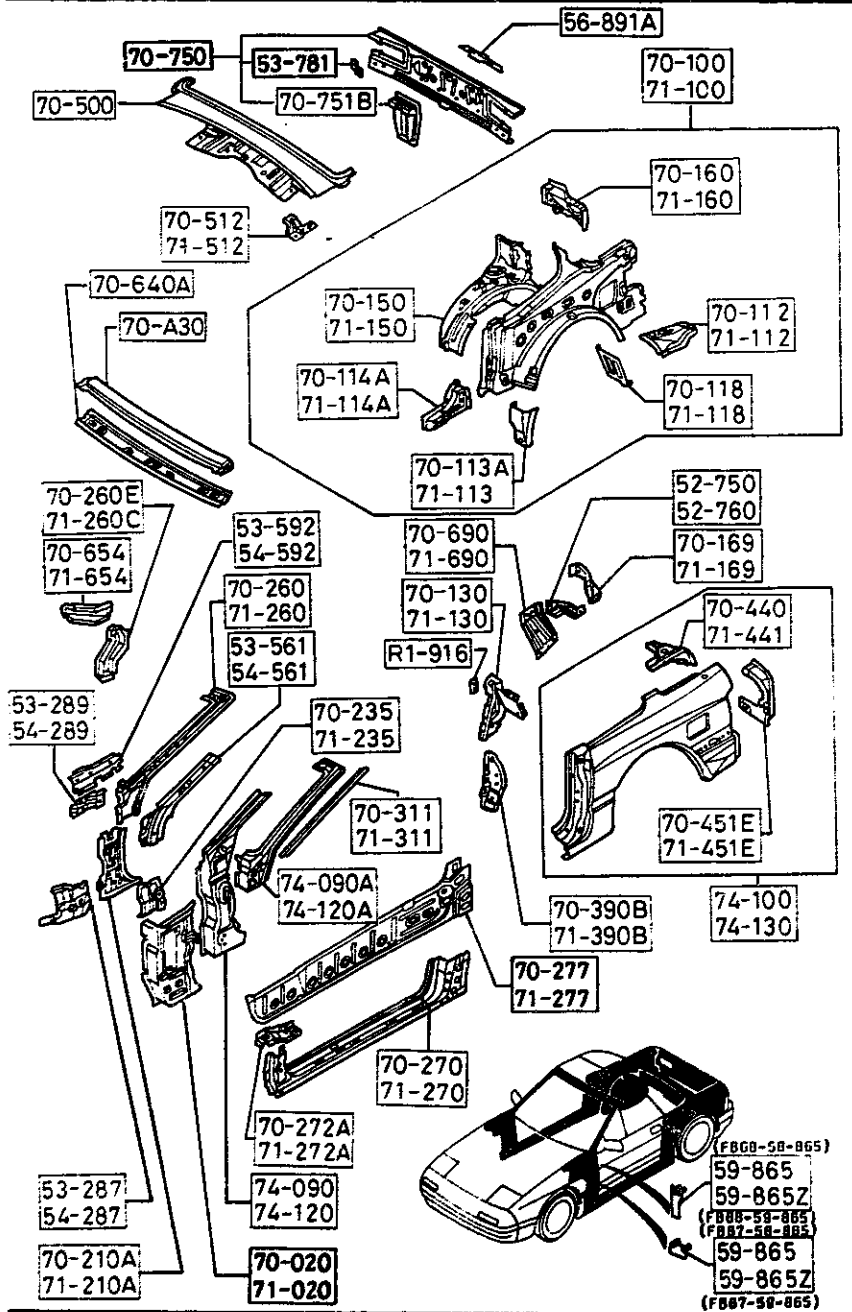
AUFA02

CAT. AUFA02-06

1992-05

5340A BODY PANELS (SIDE)
(CONVERTIBLE)

5340A -4 BODY PANELS (SIDE)
(CONVERTIBLE)



PART NO.	QTY	MODEL/RESTRICTION	MODEL/RESTRICTION	MODEL/RESTRICTION	FROM TO
70-640A		HEADER, FRONT-INNER			
FB67-70-640A	1				
70-654		GUSSET(L), INST. PANEL-DASH			
FB67-70-654	1				
70-690		GUSSET(R), WHEEL HOUSE			
FB67-70-690A	1				
70-750		PANEL, REAR END			
FC33-70-750A	1				
70-751B		MEMBER, REAR END			
FB67-70-752	1				
71-020		PANEL(L), COWL SIDE			
FB67-71-230C	1				
71-100		PANEL(L), QUARTER			
FC33-71-100 AN(FC33-71-100A)	1				-9601
FC33-71-100A	1				9601-
71-112		PANEL(RR, L), QUARTER-LOW			
FB01-71-112D	1				
71-113		PLATE(L), SEAL			
FB67-71-113	1				
71-114A		JUNCTION(L), CORNER-9/PANE			
FB67-71-114	1				
71-118		PROTECTOR(L), SPLASH			
FB01-71-118A	1				
71-130		BRKT(L), FORMING BAR			
FB67-71-130D	1				
71-150		PANEL(L), WHEEL HOUSE			
FB67-71-150B AN(FB67-71-150C)	1				-9601
9601 FCSMNM-708021					

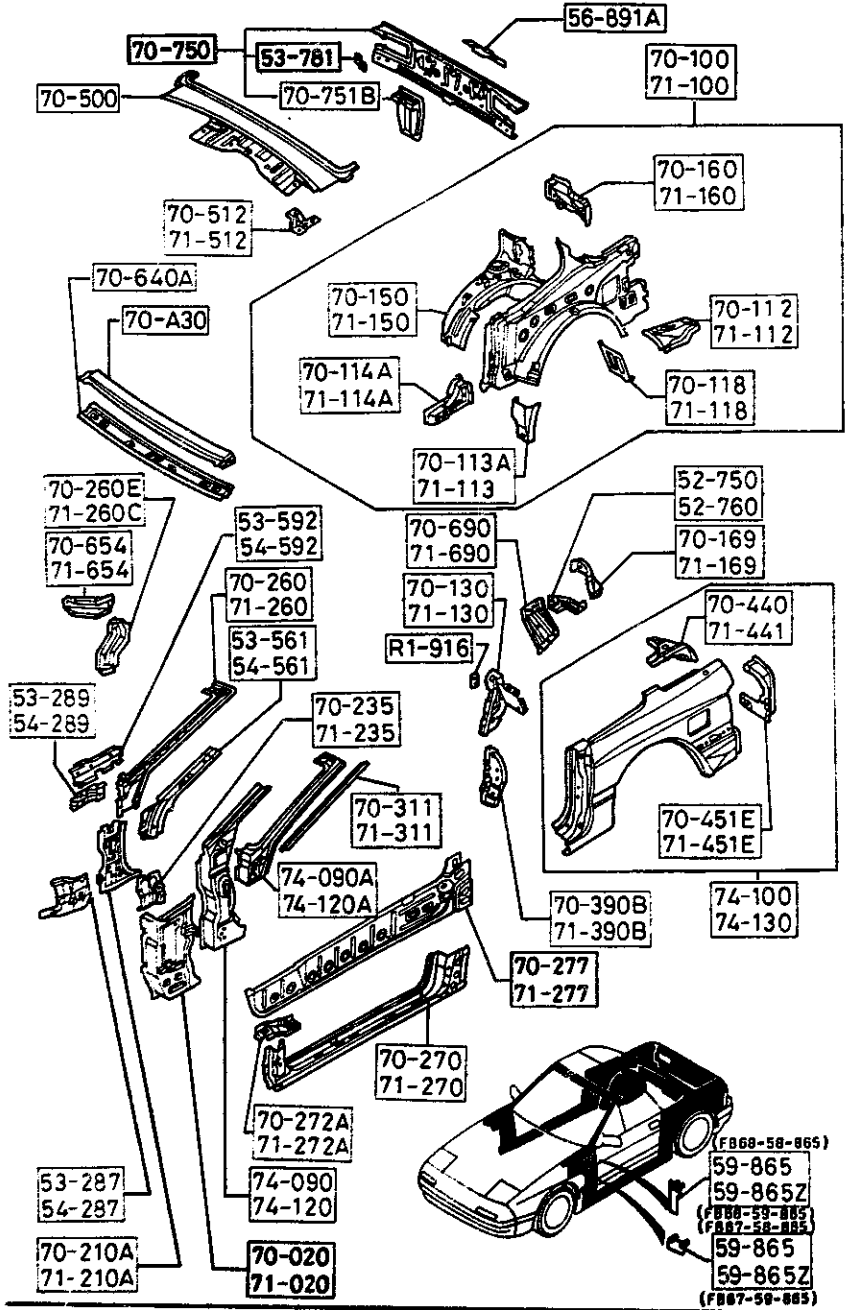
AUFA02

CAT. AUFA02-06

1992-05

5340A BODY PANELS (SIDE)
(CONVERTIBLE)

5340A -5 BODY PANELS (SIDE)
(CONVERTIBLE)



PART NO.	QTY	MODEL/RESTRICTION	MODEL/RESTRICTION	MODEL/RESTRICTION	FROM-TO
CONT'D					
FB67-71-150C	1				9601-9C01
A (FB67-71-150D)					
FB67-71-150D	1				9C01-
71-160					
FB67-71-160B	1	PLATE(L), REAR CORNER-IN.			
71-169					
FB67-71-169A	1	REINF.(L), QTR PANEL-REAR			
71-210A					
FB67-71-020C	1	PILLAR(L), HINGE			
71-235					
FB67-54-698	1	GUSSET(L), HINGE PILLER			
71-260					
FB67-71-240B	1	PILLAR(L), FRT.-INNER			
71-260C					
FB67-71-260	1	BRKT(L), INST.			
71-270					
FC33-71-270	1	PANEL(L), SIDE SILL			
71-272A					
FB67-71-272	1	PLATE(L), FIXING-SIDE SILL			
71-277					
FC33-54-790	1	REINF.(L), SIDE SILL			
71-311					
FB67-71-222A	1	RAIL(L), RAIN			
71-390B					
FB67-71-420	1	REINF.(L), STRIKER			
71-441					
FB67-71-441A	1	PLATE(L), CORNER			
71-451E					
		HOUSING(L), LAMP-RR FENDER			
9601 FC33MXX-708021					
9C01 FC33MXX-804800					

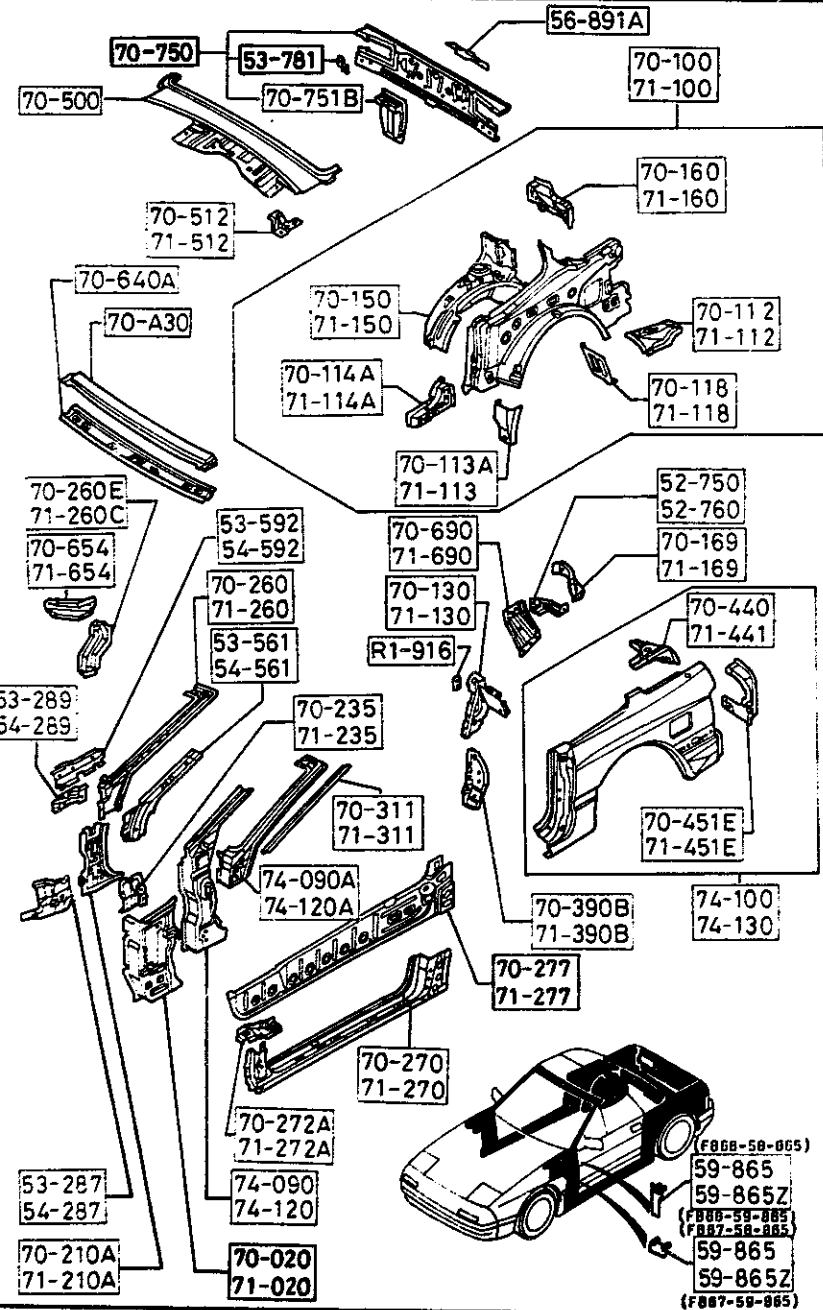
AUFA02

CAT. AUFA02-06

1992-05

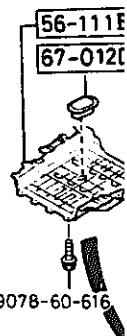
5340A BODY PANELS (SIDE)
(CONVERTIBLE)

5340A -6 * BODY PANELS (SIDE)
(CONVERTIBLE)

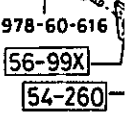


PART NO.	QTY	MODEL/RESTRICTION	MODEL/RESTRICTION	MODEL/RESTRICTION	FROM-TO
CONT'D FB67-71-491A	1				
71-512		BRACKET(L), TRIM-QTR PANEL			
FB67-71-512	1				
71-654		GUSSET(L), INST. PANEL -DASH			
FB67-71-654	1				
71-690		GUSSET(L), WHEEL HOUS E			
FB67-71-690A	1				
74-090		PILLAR(R), HINGE-OUT.			
FB67-70-210A	1				
74-090A		PILLAR(R), FRONT-OUT.			
FB67-70-220C	1				
74-100		PANEL (R), FENDER-REAR			
FC33-70-400	1				
74-120		PILLAR(L), HINGE-OUT.			
FB67-71-210A	1				
74-120A		PILLAR(L), FRONT-OUT.			
FB67-71-220C	1				
74-130		PANEL (L), FENDER-REAR			
FC33-71-400	1				

5390 FI



9078-60-616



9978-60-616

56-99X
54-260

AUFA02

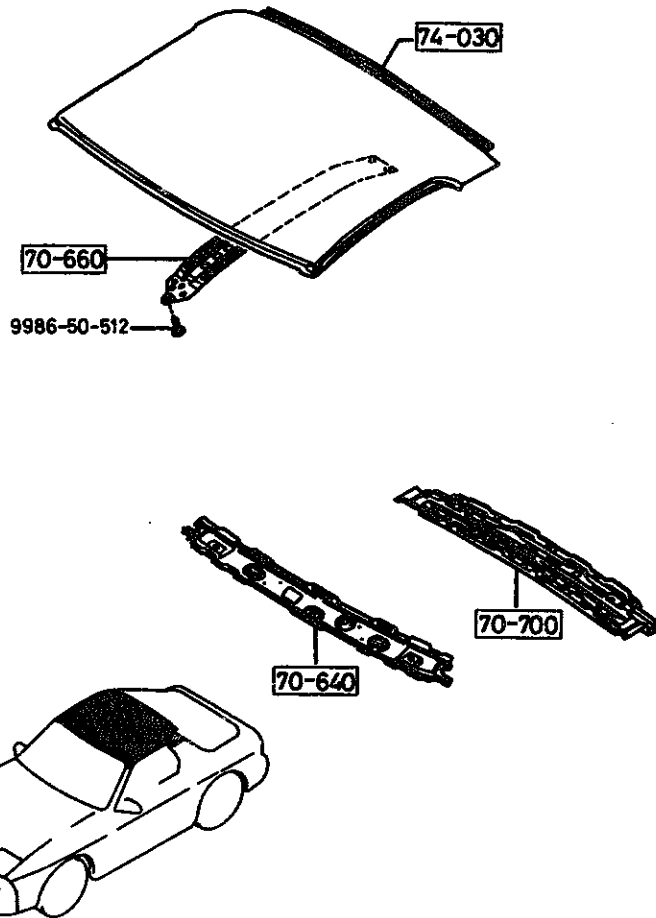
CAT. AUFA02-06

1992-05

AUFA02

5360 BODY PANELS (ROOF)
(W/O SUN ROOF)

5360 -1 * BODY PANELS (ROOF)
(W/O SUN ROOF)

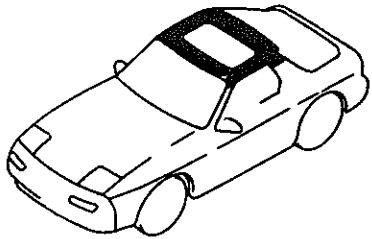
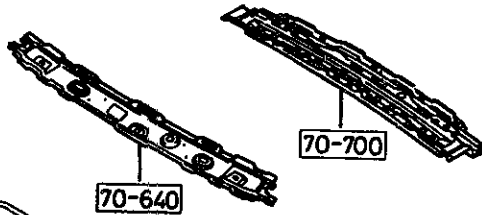
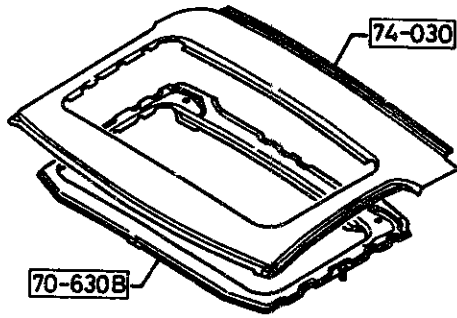


PART NO.	QTY	MODEL/RESTRICTION	MODEL/RESTRICTION	MODEL/RESTRICTION	FROM-TO
70-640		HEADER, FRONT			
FB01-70-640A	1				
70-660		REINFORCEMENT, ROOF			
FB01-70-609A	1				
70-700		HEADER, REAR			
FC01-70-700	1				
74-030		PANEL, ROOF			
FC01-70-601	1				

5360 A BODY PANELS (ROOF)
(SUN ROOF)

5360 A-1 * BODY PANELS (ROOF)
(SUN ROOF)

5390



PART NO.	QTY	MODEL/RESTRICTION	MODEL/RESTRICTION	MODEL/RESTRICTION	FROM-TO
70-630B FB03-70-630E	1	PLATE, FIXING			
70-640 FB01-70-640A	1	HEADER, FRONT			
70-700 FC01-70-700	1	HEADER, REAR			
74-030 FC03-70-601	1	PANEL, ROOF			

56-11
67-01



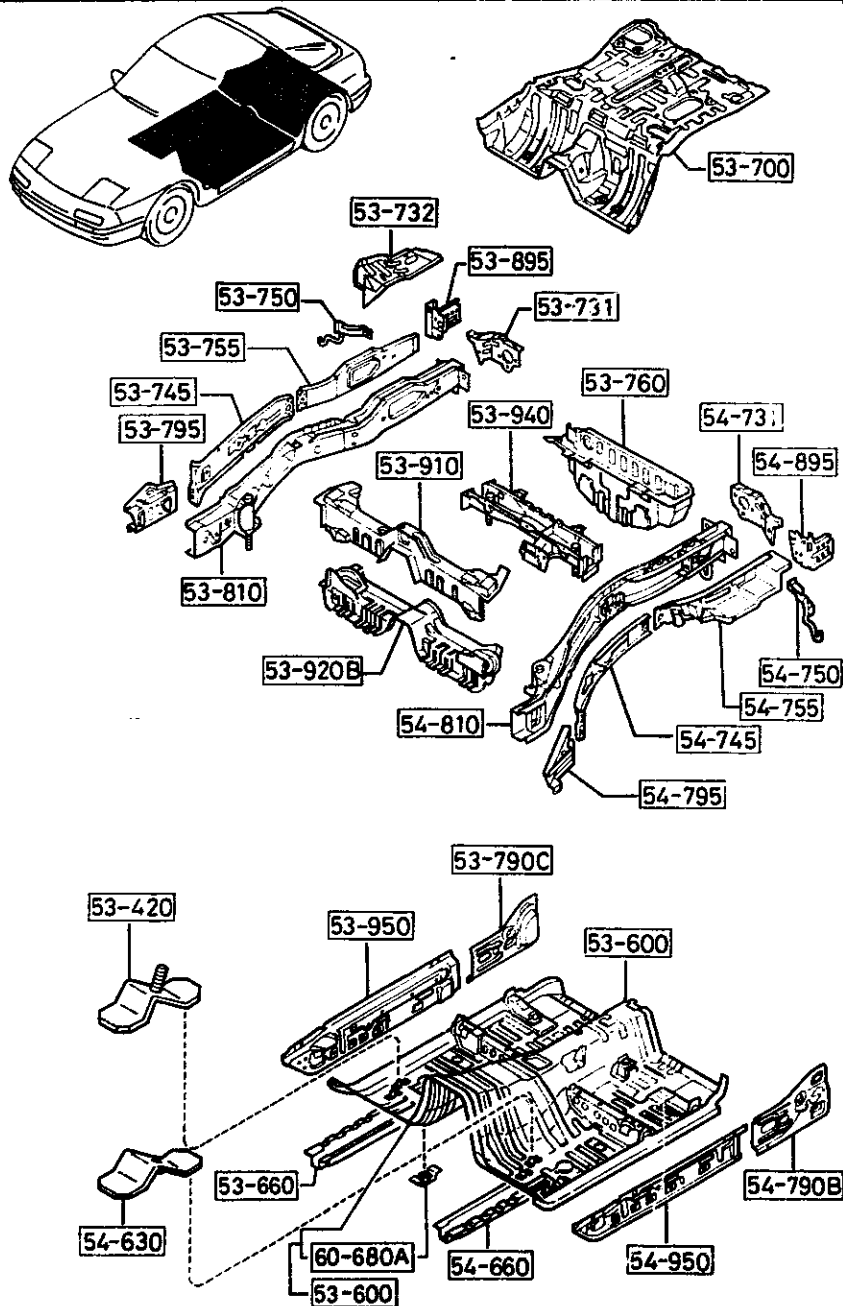
9078-60-616

9978-60-616

56-99X
54-260

5370 BODY PANELS (FLOOR)
(COUPE)

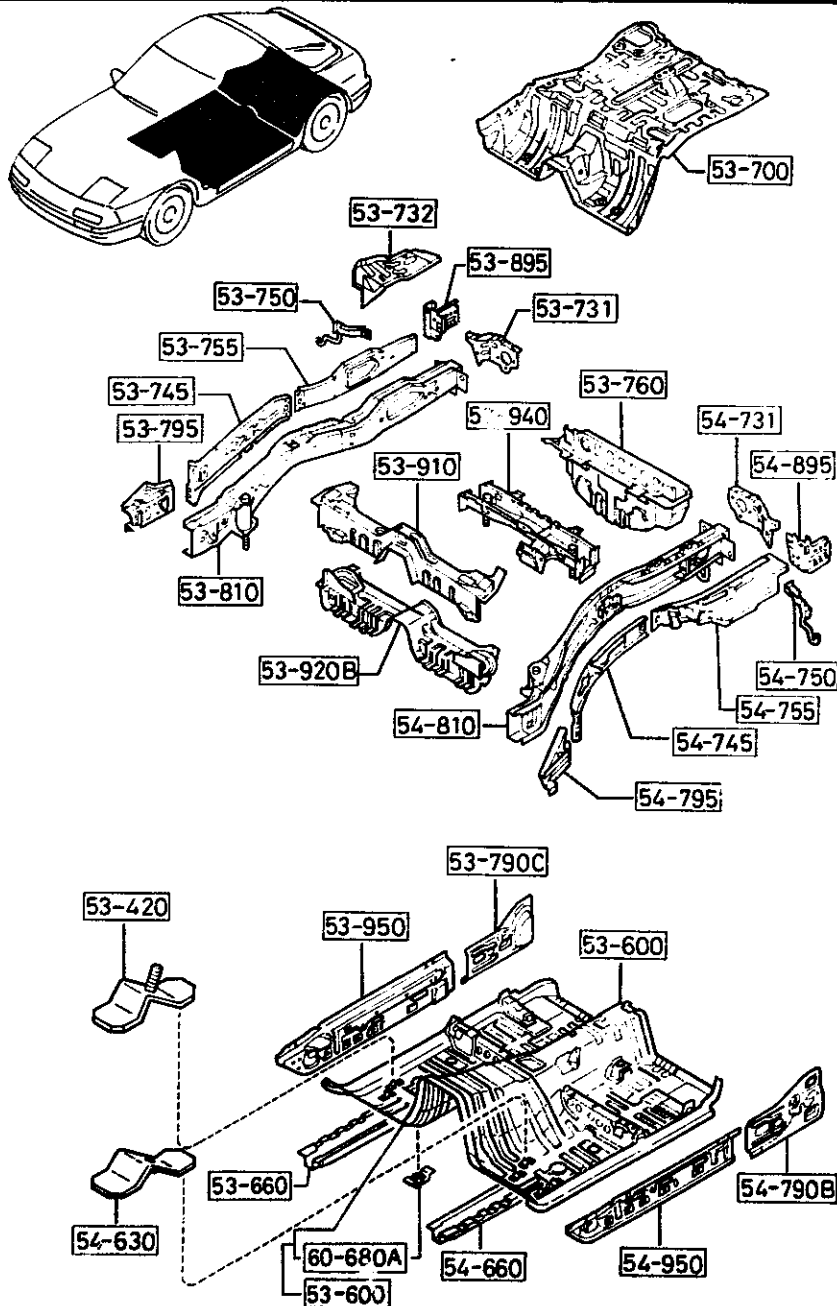
5370 -1 BODY PANELS (FLOOR)
(COUPE)



PART NO.	QTY	MODEL/RESTRICTION	MODEL/RESTRICTION	MODEL/RESTRICTION	FROM TO
53-420		BRKT'A', CONTROL UNIT			
FB01-53-685	2				
53-600		PAN, FLOOR-FRONT			
FC01-53-630	1	(MT)			
FC07-53-600	1	(AT)			
53-660		FRAME (RR.R), FRONT			
FC01-53-660	1				
53-700		PAN, FLOOR-REAR			
FC01-53-710	1				-9201
AN(FC01-53-710A)					
FC01-53-710A	1				9201-
53-731		PLATE (R), SEAL-RR S/F FRAME			
FB01-53-731B	1				
53-732		PANEL (R), SIDE-RR FLOOR			
FB01-53-732	1				-9A01
A (FB01-53-732A)					
FB01-53-732A	1				9A01-
53-745		PLATE 'A' (R), CLOSING-FRT			
FC01-53-74X	1				
53-750		BRKT (R), SILENCER-S/P ANEL			
FB01-53-750B	1				
53-755		PLATE 'A' (R), CLOSING-RR			
FC01-53-75Y	1				
53-760		PAN, SPARE TIRE			
FB01-53-760G	1				-9107
AN(FB01-53-760H)					
FB01-53-760H	1				9107-
53-790C		PLATE 'B' (R), CLOSING-FRAME			
FC01-53-790	1				
53-795		PLATE 'C' (R), CLOSING-FRAME			
9107 FC3MNM-700067					
9201 FC3MNM-701886					
9A01 FC3MNM-803554					

5370 BODY PANELS (FLOOR)
(COUPE)

5370 -2 BODY PANELS (FLOOR)
(COUPE)



PART NO.	QTY	MODEL/RESTRICTION	MODEL/RESTRICTION	MODEL/RESTRICTION	FROM TO
CONT'D FB01-53-796	1				
53-810		FRAME(R), REAR SIDE			
FC01-53-810	1				
53-895		GASSET(R), LOCK TOWER			
FB01-53-895B	1				
53-910		MEMBER NO. 3, CROSS-UP PER			-9A01
FC01-53-910 A (FC66-53-91X)	1				9A01-
FC66-53-91X	1				
53-920B		MEMBER NO. 3, CROSS-LO WER			
FC01-53-920	1				
53-940		MEMBER NO. 4, CROSS			
FC01-53-930 A (FC01-53-930A)	1				-9113
FC01-53-930A	1				9113-
53-950		PANEL(R), SIDE SILL			
FB01-53-951	1				
54-630		BRKT'B', CONTROL UNIT			
FB01-54-685	2				
54-660		FRAME(RR.L), FRONT			
FC01-54-660	1				
54-731		PLATE(L), SEAL-RR S-F RAME			
FB01-54-731B	1				
54-745		PLATE'A'(L), CLOSING- FR			
FC01-54-74X	1				
54-750		BRKT(L), SILENCER-S/P ANEL			
FB01-54-750B	1				
54-755		PLATE'A'(L), CLOSING- RR			
FC01-54-75Y	1				
9113 FC3MM-70067 9A01 FC3MM-803554					

AUFA02

CAT. AUFA02-06

1992-05

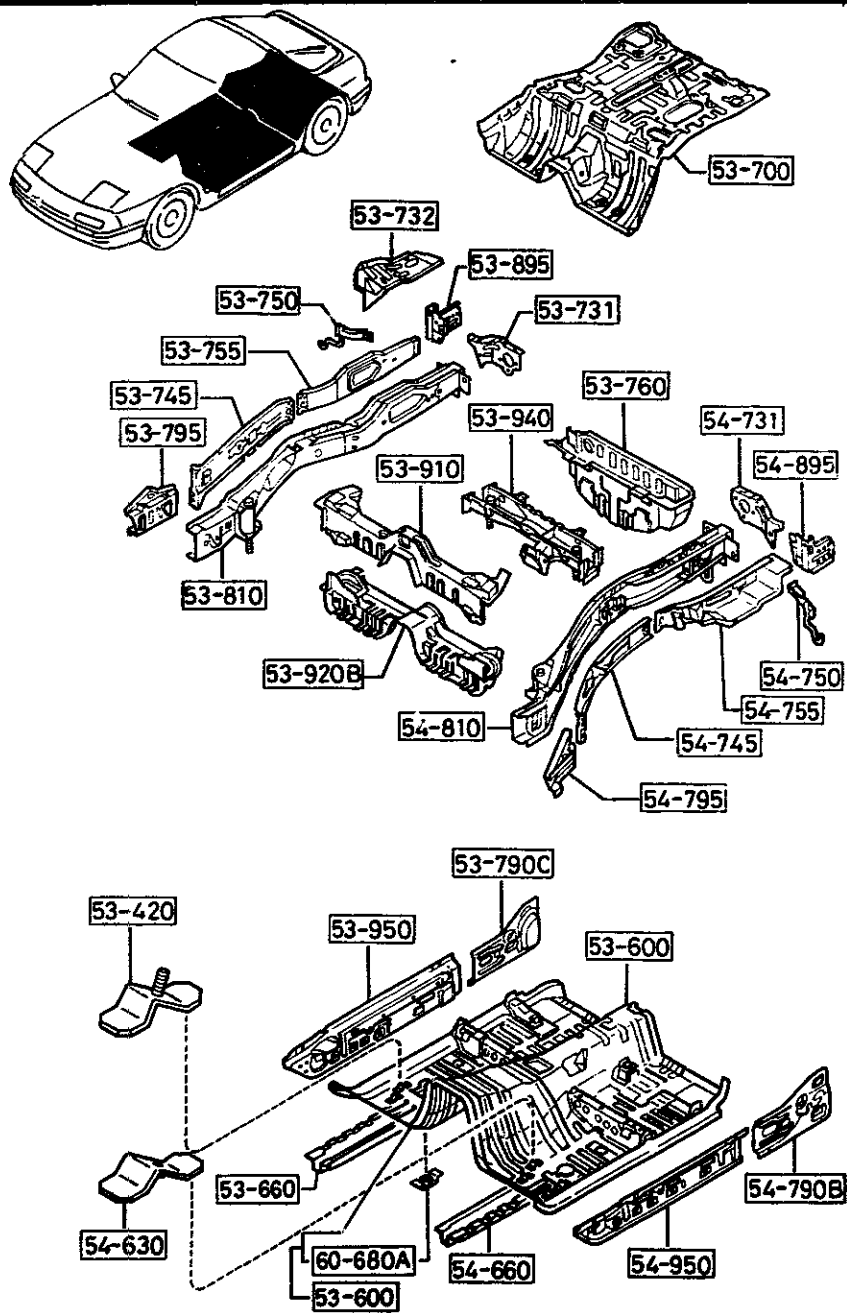
SECTION NAME INDEX (BODY)1/2

LO.NO	SEC.NO	SECTION NAME	LO.NO	SEC.NO	SECTION NAME	LO.NO	SEC.NO	SECTION NAME
3-C03	0900	KEY SETS	3-J09	5390	FLOOR ATTACHMENTS			
3-F03	5000	FRONT BUMPER	3-C10	5500	DASHBOARD EQUIPMENTS			
3-H03	5010	REAR BUMPER	3-F10	5520	METER HOOD			
3-J03	5020	HEAD LAMP CLEANER	3-G10	5530	SPEEDOMETER CABLE			
3-L03	5030	WINDOW MOULDINGS	3-H10	5540	METER COMPONENTS			
3-M03	5040	BODY MOULDINGS (COUPE)	3-J10	5560	DASHBOARD & RELATED PARTS			
3-E04	5060	SIDE PROTECTORS	3-E11	5570	CONSOLE			
3-I04	5100	HEAD LAMPS	3-H11	5580	VENTILATOR			
3-J04	5103	HEAD LAMP RETRACTORS	3-J11	5700	FRONT SEATS (COUPE)			
3-N04	5105	FRONT COMBINATION LAMPS	3-E13	5700A	FRONT SEATS (CONVERTIBLE)			
3-G05	5110	REAR COMBINATION LAMPS	3-K13	5750	REAR SEATS (COUPE)			
3-K05	5120	LICENSE LAMPS	3-M13	5790	SEAT BELTS (COUPE)			
3-M05	5125	INTERIOR LAMPS	3-C14	5790A	SEAT BELTS (CONVERTIBLE)			
3-N05	5130	OVERHEAD CONSOLE	3-D14	5800	FRONT DOORS (COUPE)			
3-C06	5170	ORNAMENTS	3-G14	5800A	FRONT DOORS (CONVERTIBLE)			
3-D06	5180	COWL & EXTRACTOR GRILLES	3-K14	5830	FRONT DOOR MECHANISMS (COUPE)			
3-G06	5230	BONNET	3-F15	5830A	FRONT DOOR MECHANISMS (CONVERTIBLE)			
3-J06	5260	TRUNK LID (CONVERTIBLE)	3-J15	5840	FRONT DOOR TRIMS & RELATED PARTS (COUPE)			
3-L06	5310	BODY PANELS (FRONT) (COUPE)	3-H16	5840A	FRONT DOOR TRIMS & RELATED PARTS (CONVERTIBLE)			
3-C07	5310 A	BODY PANELS (FRONT) (CONVERTIBLE)						
3-F07	5320	BODY PANELS (FENDER & WHEEL ARCH)						
3-K07	5330	BODY PANELS (DASH & COWL PANEL)						
3-L07	5340	BODY PANELS (SIDE) (COUPE)						
3-E08	5340A	BODY PANELS (SIDE) (CONVERTIBLE)						
3-K08	5360	BODY PANELS (ROOF) (W/O SUN ROOF)						
3-L08	5360 A	BODY PANELS (ROOF) (SUN ROOF)						
3-M08	5370	BODY PANELS (FLOOR) (COUPE)						
3-D09	5370 A	BODY PANELS (FLOOR) (CONVERTIBLE)						
3-H09	5380	FLOOR ATTACHMENTS (HOLE COVERS)						

CATLOG-NO= AUFA02-06

DATE. 1992-05

5370 BODY PANELS (FLOOR)
(COUPE)



5370 -3 * BODY PANELS (FLOOR)
(COUPE)

PART NO.	QTY	MODEL/RESTRICTION	MODEL/RESTRICTION	MODEL/RESTRICTION	FROM-TO
54-790B		PLATE 'B' (L), CLOSING-FRAME			
FC01-54-790	1				
54-795		PLATE 'C' (L), CLOSING-FRAME			
FB01-54-796	1				
54-810		FRAME (L), REAR SIDE			
FC01-54-810	1				-9A01
A (FC01-54-810A)					
FC01-54-810A	1				9A01-
54-895		GUSSET (L), LOCK TOWER			
FB01-54-895B	1				
54-950		PANEL (L), SIDE SEAL			
FB01-54-950	1				
60-680A		BRACKET, FLOOR			
*0305-53-160	9				
9A01 FCS***-803554					

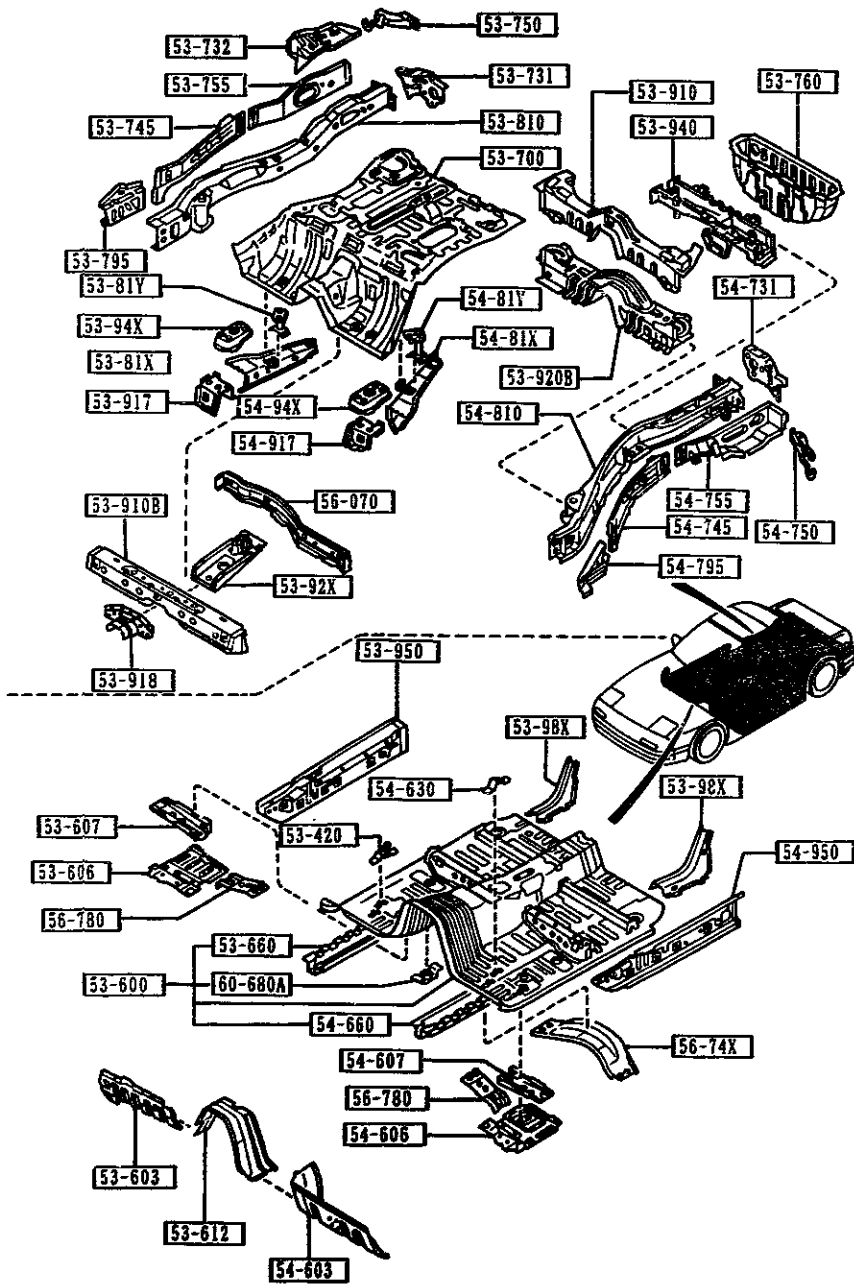
AUFA02

CAT. AUFA02-06

1992-05

5370 A BODY PANELS (FLOOR)
(CONVERTIBLE)

5370 A-1 BODY PANELS (FLOOR)
(CONVERTIBLE)



PART NO.	QTY	MODEL/RESTRICTION	MODEL/RESTRICTION	MODEL/RESTRICTION	FROM-TO
53-420		BRKT 'A', CONTROL UNIT			
FB01-53-685	2				
53-600		PAN, FLOOR-FRONT			
FC33-53-600A	1	(MT)			
FC47-53-600A	1	(AT)			
53-603		REINF. 'A' (R), FRONT FLOOR			
FB67-53-603A	1				
53-606		REINF. 'B' (R), FRONT FLOOR			
FB67-53-606	1				
53-607		REINF. 'C' (R), FRONT FLOOR			
FB67-53-607A	1				
53-612		REINFORCEMENT, TONNEL-FRT			
FB67-53-612A	1				
53-660		FRAME (RR, R), FRONT			
FB67-53-660	1	(MT)			
F056-53-660	1	(AT)			
53-700		PAN, FLOOR-REAR			
FC01-53-710	1				-9201
AN(FC01-53-710A)					
FC01-53-710A	1				9201-
53-731		PLATE (R), SEAL-RR S/F RAME			
FB01-53-731B	1				
53-732		PANEL (R), SIDE-RR FLOOR			
FB01-53-732A	1				-9A01
(FB01-53-732A)					
FB01-53-732A	1				9A01-
53-745		PLATE 'A' (R), CLOSING-FRT			
FC33-53-74X	1				
53-750		BRKT (R), SILENCER-S/P ANEL			
FB67-53-750A	1				
9201 FC33-53-701886					
9A01 FC33-53-803554					

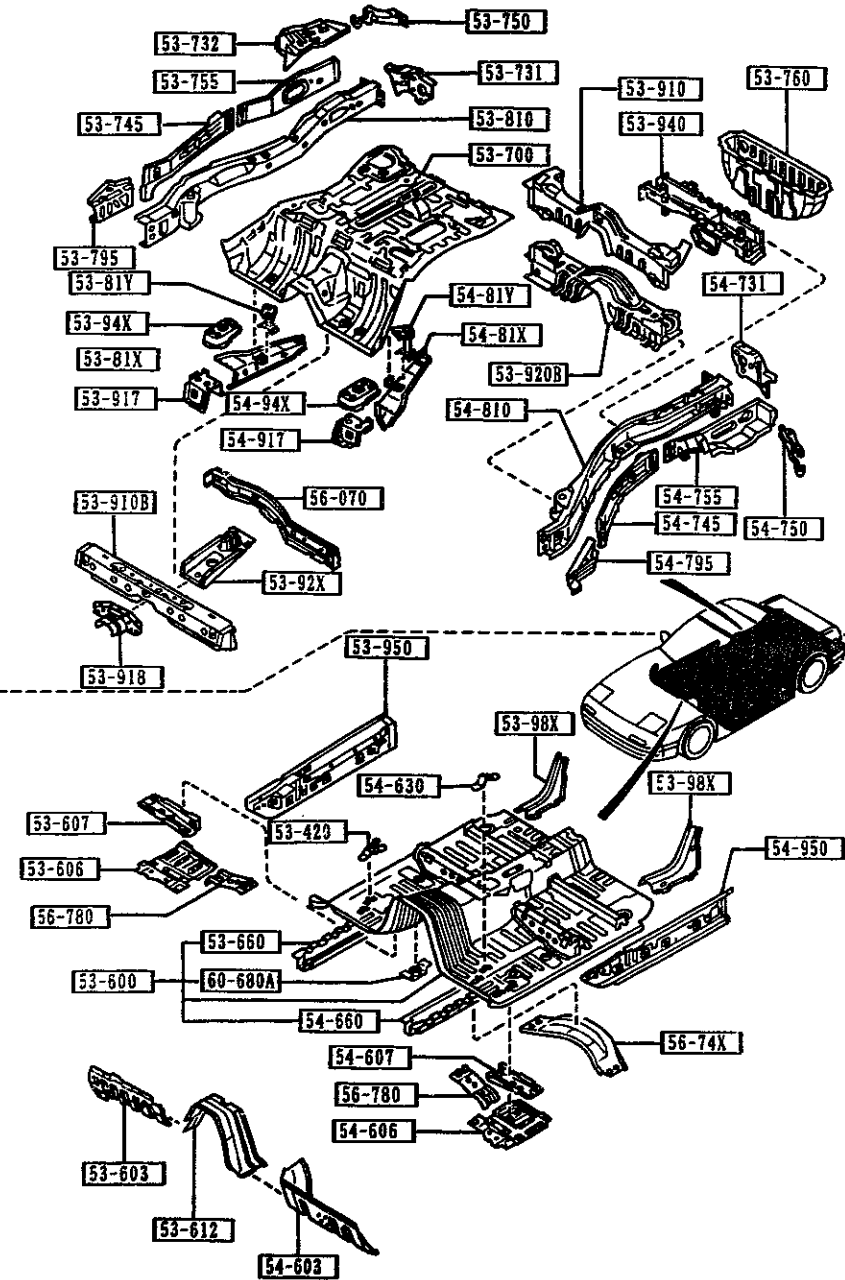
AUFA02

CAT. AUFA02-06

1992-05

3-D 9

5370 A BODY PANELS (FLOOR)
(CONVERTIBLE)



5370 A-2 BODY PANELS (FLOOR)
(CONVERTIBLE)

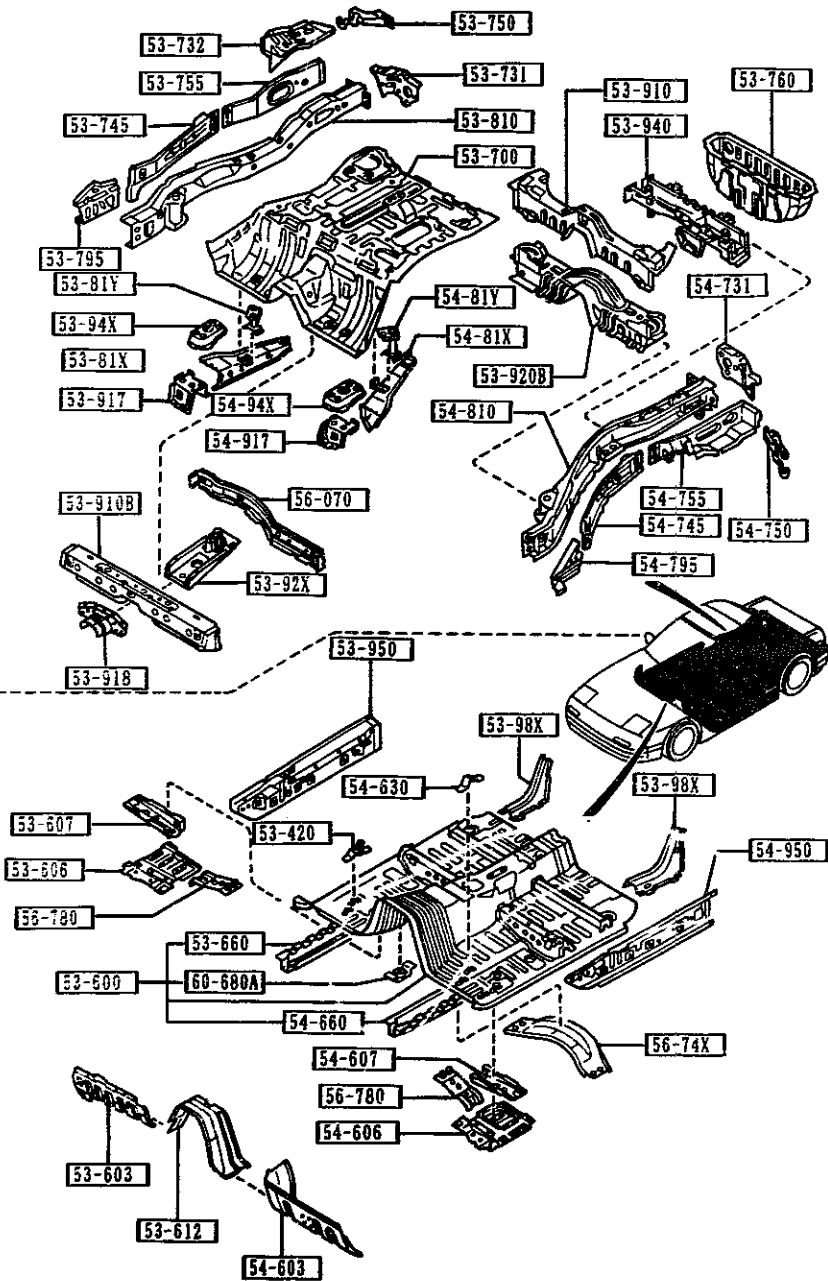
PART NO.	QTY	MODEL/RESTRICTION	MODEL/RESTRICTION	MODEL/RESTRICTION	FROM-TO
53-755		PLATE 'A' (R), CLOSING-RR			
FC33-53-75X	1				
53-760		PAN, SPARE TIRE			
FB67-53-760A AN(FB67-53-760B)	1				-9107
FB67-53-760B	1				9107-
53-795		PLATE 'C' (R), CLOSING-FRAME			
FB01-53-796	1				
53-81X		FRAME (R), REAR SIDE-UPPER			
FB67-53-81XA	1				
53-81Y		BRKT (R), STOPPER-R. FRAME			
FB67-53-81YA	1				
53-810		FRAME (R), REAR SIDE			
FC33-53-810	1				
53-910		MEMBER NO. 3, CROSS-UPPER			
FC01-53-910 A (FC66-53-91X)	1				-9A01
FC66-53-91X	1				9A01-
53-910B		REINF., CROSSMEMBER NO. 3-UP			
FB67-53-910B A (FC66-53-910)	1				-9A01
FC66-53-910	1				9A01-
53-917		REINF. (R), NO. 3 MEMBER-UP			
FB67-53-917	1				
53-918		REINFORCEMENT, TUNNEL-REAR			
FB67-53-918	1				
53-92X		REINF., SPARE TIRE			
FB67-53-92X	1				
53-920B		MEMBER NO. 3, CROSS-LOWER			
FC33-53-920	1				
9107 FC3***-700067					
9A01 FC3***-803554					

CAT. AUFA02-06

1992-05

5370 A BODY PANELS (FLOOR)
(CONVERTIBLE)

5370 A-3 BODY PANELS (FLOOR)
(CONVERTIBLE)



PART NO.	QTY	MODEL/RESTRICTION	MODEL/RESTRICTION	MODEL/RESTRICTION	FROM-TO
53-94X	1	BRKT(R),MOTOR-SIDE F RAME			
FB67-53-94X					
53-940	1	MEMBER NO.4,CROSS			
FC01-53-930 A (FC01-53-930A)	1				-9113
FC01-53-930A	1				9113-
53-950	1	PANEL(R),SIDE SILL			
FB67-53-950					
53-98X	2	GUSSET,FRONT FLOOR P AN			
FB67-53-98XA					
54-603	1	REINF.'A'(L),FRONT F LOOR			
FB67-54-603A					
54-606	1	REINF.'B'(L),FRONT F LOOR			
FB67-54-606					
54-607	1	REINF.'C'(L),FRONT F LOOR			
FB67-54-607A					
54-630	2	BRKT'B',CONTROL UNIT			
FB01-54-685					
54-660	1	FRAME(RR.L),FRONT			
FB67-54-660					
54-731	1	PLATE(L),SEAL-RR S/F RAME			
FB01-54-731B					
54-745	1	PLATE'A'(L),CLOSING- FRT			
FC33-54-74X					
54-750	1	BRKT(L),SILENCER-S-P ANEL			
FB67-54-750A					
54-755	1	PLATE'A'(L),CLOSING- RR			
FC33-54-75X					
9113 FC3MM-70067					

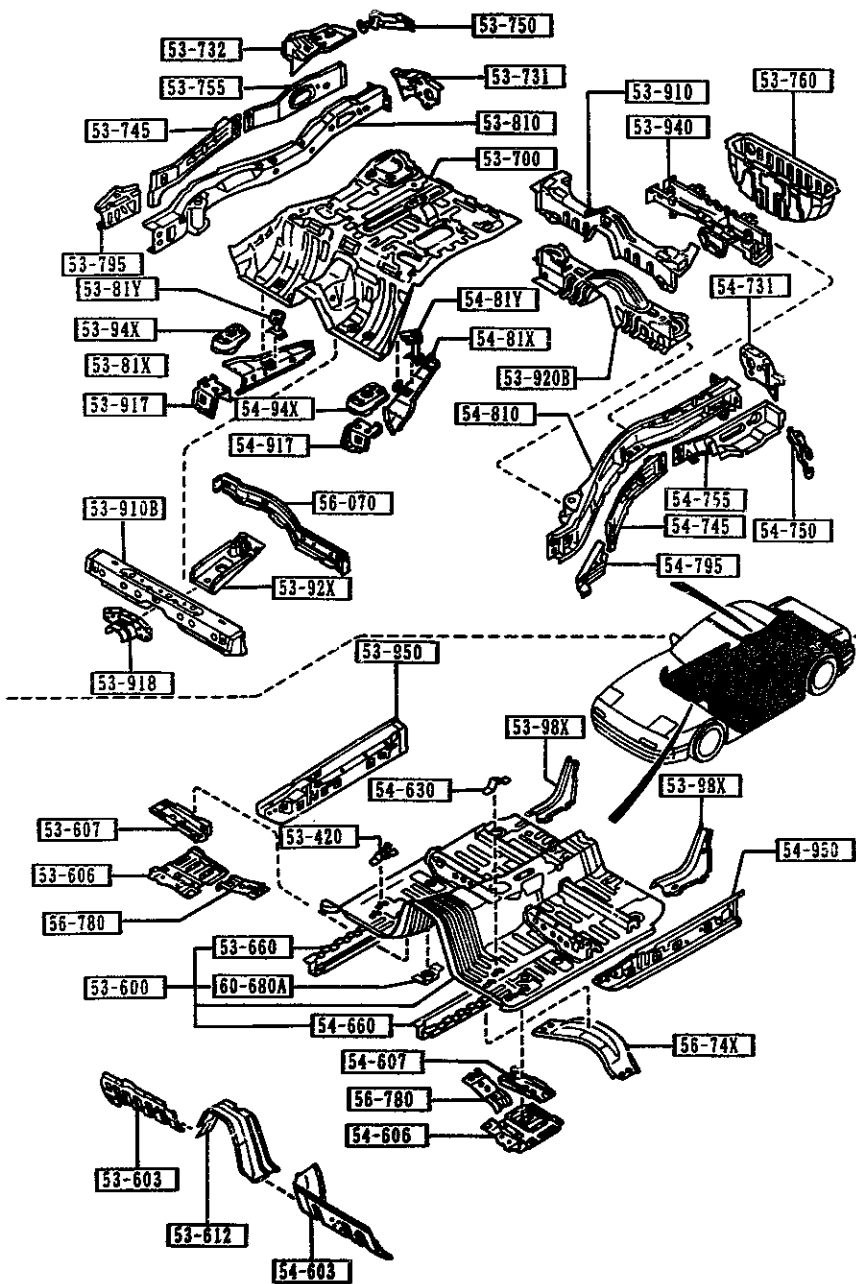
AUFA02

CAT. AUFA02-06

1992-05

5370 A BODY PANELS (FLOOR)
(CONVERTIBLE)

5370 A-4 * BGDY PANELS (FLOOR)
(CONVERTIBLE)



PART NO.	QTY	MODEL/RESTRICTION	MODEL/RESTRICTION	MODEL/RESTRICTION	FROM-TO
54-795		PLATE 'C' (L), CLOSING-FRAME			
FB01-54-796	1				
54-81X		FRAME (L), REAR SIDE-UPPER			
FB67-54-81XA	1				
54-81Y		BRKT (L), STOPPER-R. FRAME			
FB67-54-81YA	1				
54-810		FRAME (L), REAR SIDE			
FC33-54-810 A (FC33-54-810A)	1				-9A01
FC33-54-810A	1				9A01-
54-917		REINF. (L), NO. 3 MEMBER-UP.			
FB67-54-917	1				
54-94X		BRKT (L), MOTOR-SIDE FRAME			
FB67-54-94X	1				
54-950		PANEL (L), SIDE SEAL			
FB67-54-950	1				
56-070		PANEL, BULK HEAD			
FB67-53-726A	1				
56-74X		MEMBER, FRONT FLOOR			
FB67-56-74XA	1 (MT)				
56-780		GUSSET, FRONT FLOOR			
FB67-56-780	1 (AT) 2 (MT)				
60-680A		BRACKET, FLOOR			
*0305-53-160	8				

9A01 FC33MM-803554

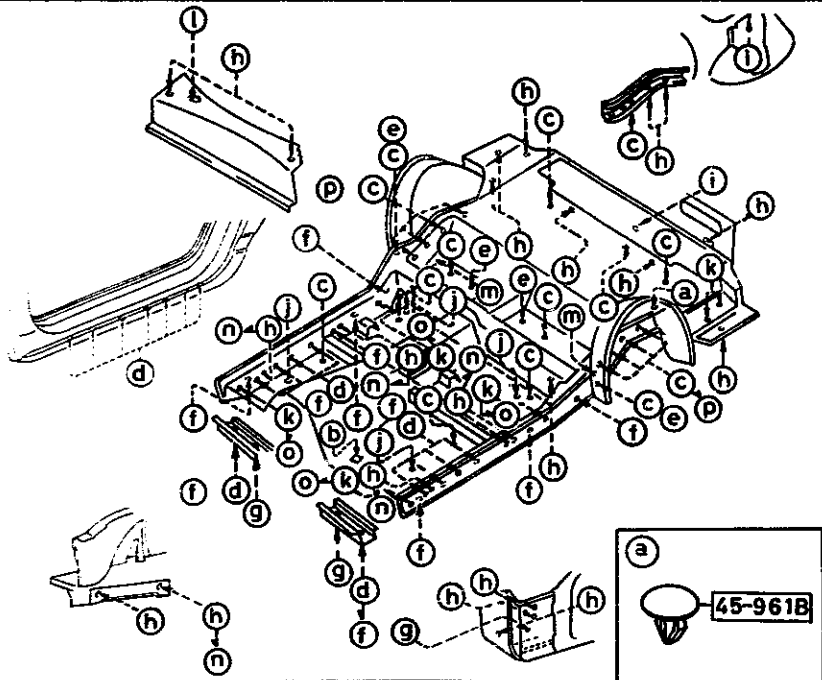
AUFA02

CAT. AUFA02-06

1992-05

5380 FLOOR ATTACHMENTS (HOLE COVERS)

5380 -1 FLOOR ATTACHMENTS (HOLE COVERS)



b 56-051	c 56-052 (FB01-56-056)	d 56-054	e 56-112B
f 56-241B	g 56-241J	h 56-242	i 56-639
j 56-971	k 66-971K	l 67-365	m 67-506B
n 56-052 (8092-56-052)	o 56-052A	p 62-868A	

PART NO.	QTY	MODEL/RESTRICTION	MODEL/RESTRICTION	MODEL/RESTRICTION	FROM-TO
45-961B		CAP			
H062-45-961	1	(CONVERTIBLE)			
56-051		COVER, HOLE			
1011-56-051	2				
56-052		PLUG, DRAIN			
FB01-56-056	21	(CPE)			-9501
FB01-56-056	21	(CONVERTIBLE)			-9726
B092-56-052	6	D=12MM			9501-
FB01-56-056	11	(CPE)			9501-
56-052A		PLUG, HOLE-F. SIDE FRAME			
H260-56-052	2	(CONVERTIBLE)			9501-
	4	(CPE)			9501-
56-054		PLUG, HOLE			
FB67-56-051	24	(CONVERTIBLE)			
56-112B		PLUG, DRAIN			
FB01-56-057	2	(CONVERTIBLE)			
	4	(CPE)			
56-241B		PLUG			
B001-56-051	16	(CPE)			-9501
B001-56-051	18	(CPE)			9501-
56-241J		PLUG, DRAIN			
8477-56-241	2	(CPE)			
	4	(CONVERTIBLE)			
56-242		PLUG, DRAIN			
0118-56-242B	28	(CONVERTIBLE)			-9501
	30	(CPE)			-9501
0118-56-242B	22	(CONVERTIBLE)			9501-
	24	(CPE)			9501-
56-639		COVER, SERVICE HOLE			
9501 FC3MRN-707092					
9726 FC3MRN-800035					

AUFA02

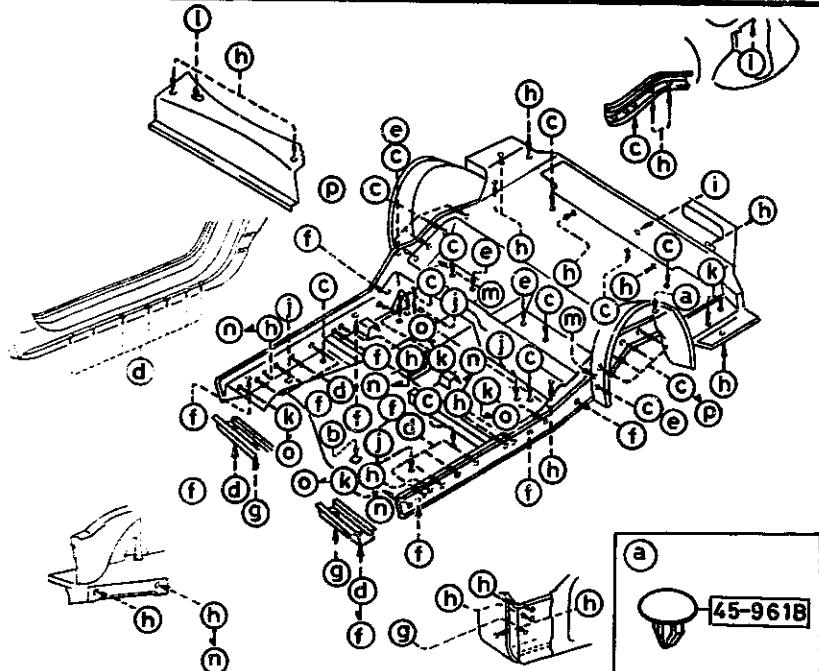
CAT. AUFA02-06

1992-05

3-H 9

5380 FLOOR ATTACHMENTS (HOLE COVERS)

5380 -2 * FLOOR ATTACHMENTS (HOLE COVERS)



b 56-051	c 56-052 (F801-56-055)	d 56-054	e 56-112B
f 56-241B	g 56-241J	h 56-242	i 56-639
j 56-971	k 66-971K	l 67-365	m 67-506B
n 56-052 (8092-56-052)	o 56-052A	p 62-868A	

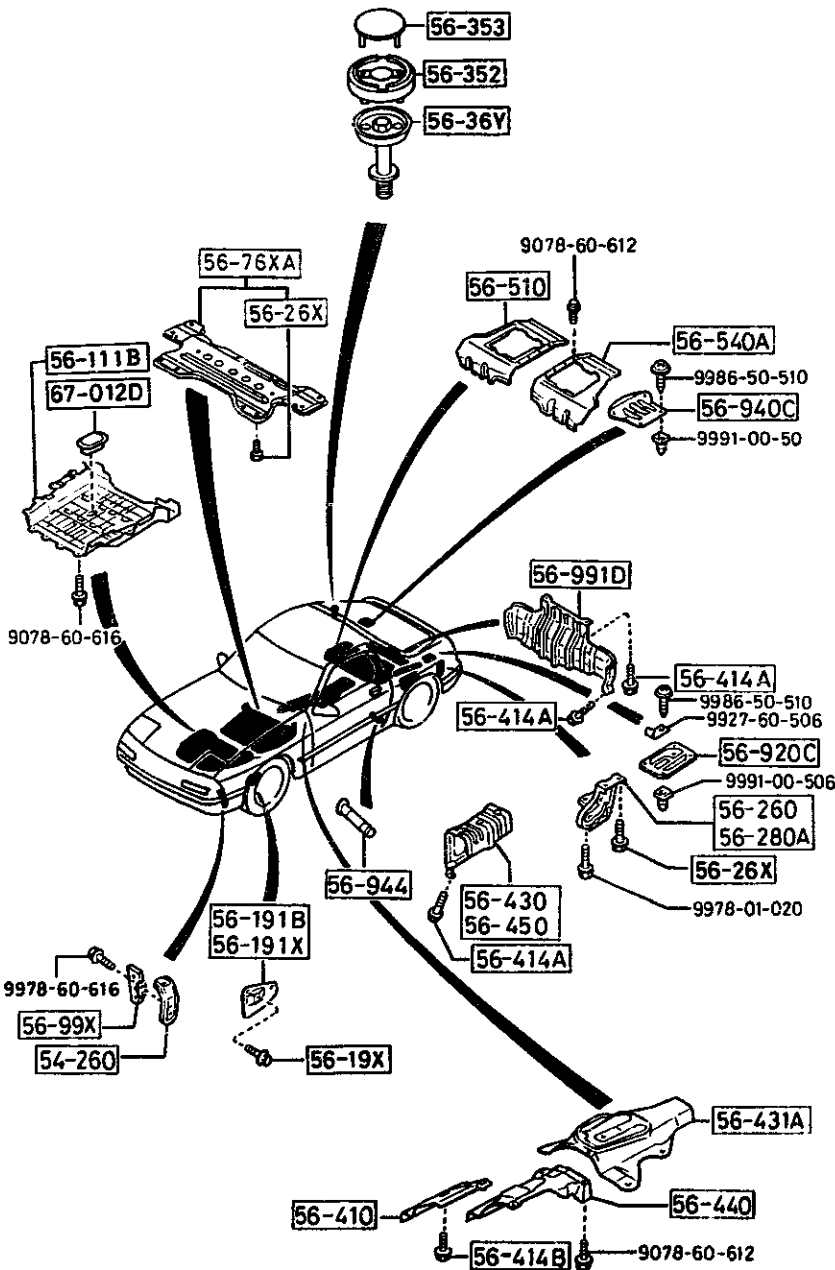
PART NO.	QTY	MODEL/RESTRICTION	MODEL/RESTRICTION	MODEL/RESTRICTION	FROM-TO
CONT'D					
0810-56-639	1	(CONVERTIBLE)			
	3	(CPE)			
56-971		COVER, HOLE			
0866-56-971	4				-9726
62-868A		COVER, HOLE-LIFT GATE			
8499-62-868	8	(CPE)			9501-
66-971K		GROMMET			
0222-66-971	6				-9501
0222-66-971	2	(CPE)			9501-
	4	(CONVERTIBLE)			9501-
67-365		COVER, SEAL-COWL PANE			
FB31-56-058	1				-9726
67-506B		COVER, SERVICE HOLE			
G043-67-506	2	(CONVERTIBLE)			
9501 FC3KNN-707092					
9726 FC3KNN-800035					

AUFA02

CAT. AUFA02-06

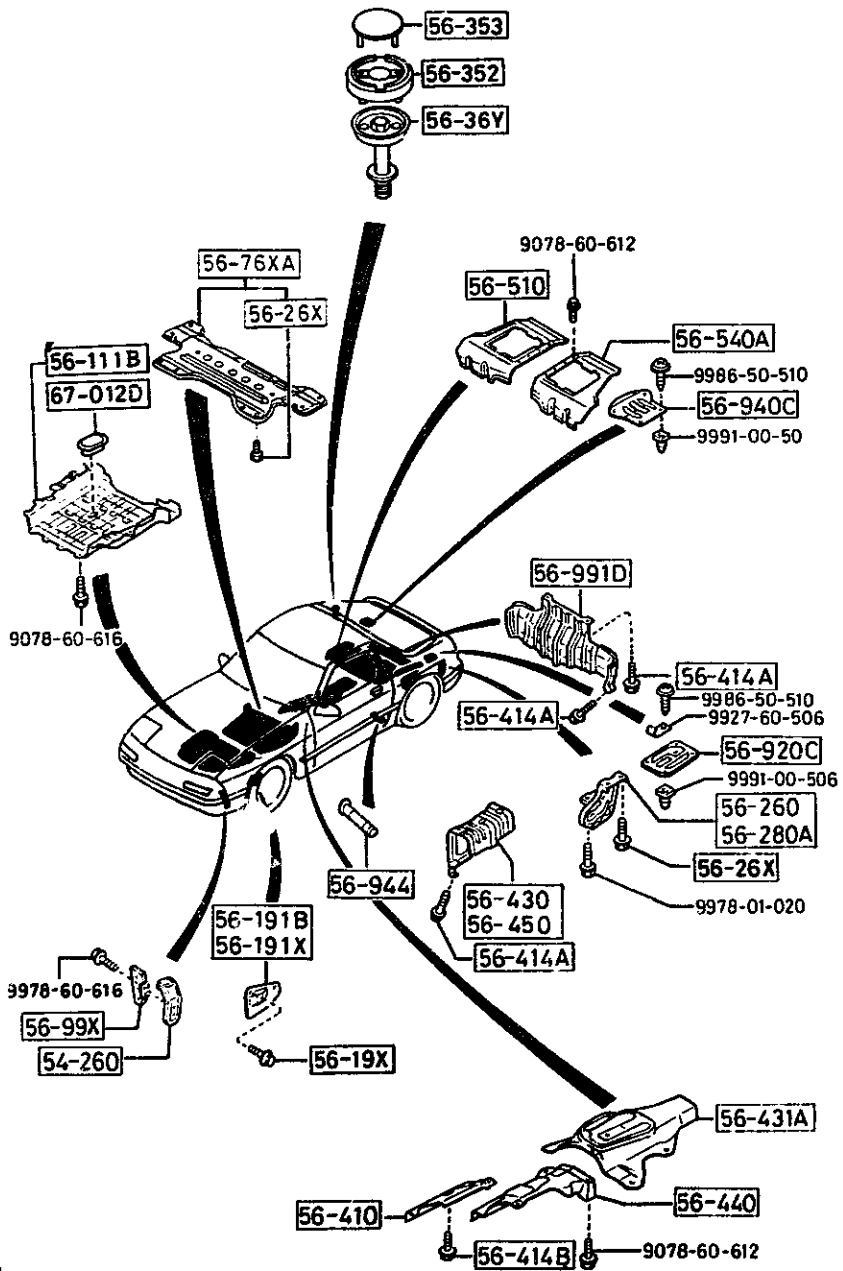
1992-05

55
55
(12)
AUF



PART NO.	QTY	MODEL/RESTRICTION	MODEL/RESTRICTION	MODEL/RESTRICTION	FROM-TO
54-260		BRACKET, BATTERY			
FB01-56-990B	1				
56-111B		COVER, UNDER-FRONT			
FB01-56-111C	1				
56-19X		BOLT, SPLASH SHIELD			
FB01-56-19XA	4				
56-191B		SHIELD(L), SPLASH-S. FRAME			
FB01-56-191A	1				
56-191X		SHIELD(R), SPLASH-S. FRAME			
FB01-56-192A	1				
56-26X		BOLT, REAR HOOK			
FB01-56-26X	10 (CPE) 18 (CONVERTIBLE)				
56-260		HOOK(R), REAR			
FB01-56-260C	1				
56-280A		HOOK(L), REAR			
FB01-56-280C	1				
56-352		SEAL(L), DUST			
FB67-56-352A	2 (CONVERTIBLE)				
56-353		TRAY(UP.), LOCK HOOK			
FB67-56-353A	2 (CONVERTIBLE)				
56-36Y		BOLT, LOWER TRAY-STOP BRKT			
FB67-56-36YA	2 (CONVERTIBLE)				
56-410		INSULATOR, HEAT-FRONT			
FB01-56-410B	1				
56-414A		BOLT, SILENCER			
FB01-56-416	10				

2 J 9



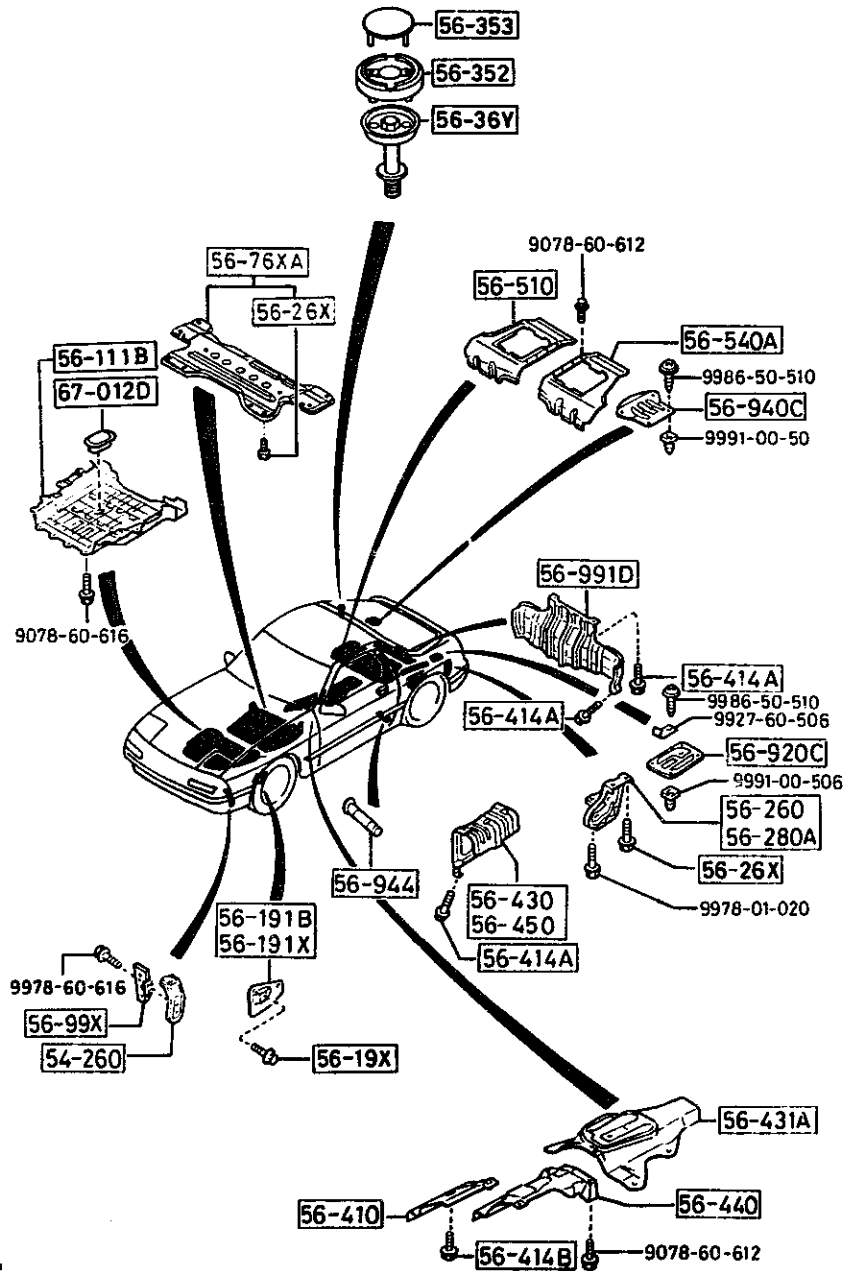
PART NO.	QTY	MODEL/RESTRICTION	MODEL/RESTRICTION	MODEL/RESTRICTION	FROM-TO
56-414B		BOLT, INSHLATOR-FRT W			
FB01-56-414	11	EAT			
56-430		INSULATOR(R)			
FB01-56-460C	1				-9801
A (FB01-56-460D)					
FB01-56-460D	1				9801-
56-431A		INSULATOR NO.3,FRONT			
FB01-56-430C	1				
56-440		INSULATOR NO.2,FRONT			
FB01-56-420A	1				
56-450		INSULATOR(L)			
FB01-56-450C	1				-9801
A (FB01-56-450D)					
FB01-56-450D	1				9801-
56-510		DECK(R), FLOOR			
FC01-56-510A	1	((CPE)>(2SEATER))			
56-540A		DECK(L), FLOOR			
FC01-56-521A	1	((CPE)>(2SEATER))			
56-76XA		MEMBER, CROSS-FRONT F			
FB67-56-76XB	1	RAME			
		(CONVERTIBLE)			
56-920C		COVER (L), SERVICE-RR			
FB01-56-920	1	FLOOR			
56-940C		COVER (R), SERVICE-RR			
FB01-56-940	1	FLOOR			
56-944		COLLAR, HARNESS-SIDE			
FB01-56-944	2	SILL			
		(CONVERTIBLE)			
56-99X		SEAL, SIDE FRAME&BATT			
FC01-56-99X	1	.BRKT			
56-991D		INSULATOR, TANK-FUEL			
9801 FCSMM-800894					

AUFA02

CAT. AUFA02-06

1992-05

3-K 9



PART NO.	QTY	MODEL/RESTRICTION	MODEL/RESTRICTION	MODEL/RESTRICTION	FROM-TO
CONT'D FB71-56-470	1				
67-012D		GROMMET			
S083-67-012A	1				

AUFA02

CAT. AUFA02-06

1992-05

3-L 9

556

60

6

64

6

99

(F80)

60

60

(FCT)

AUFA

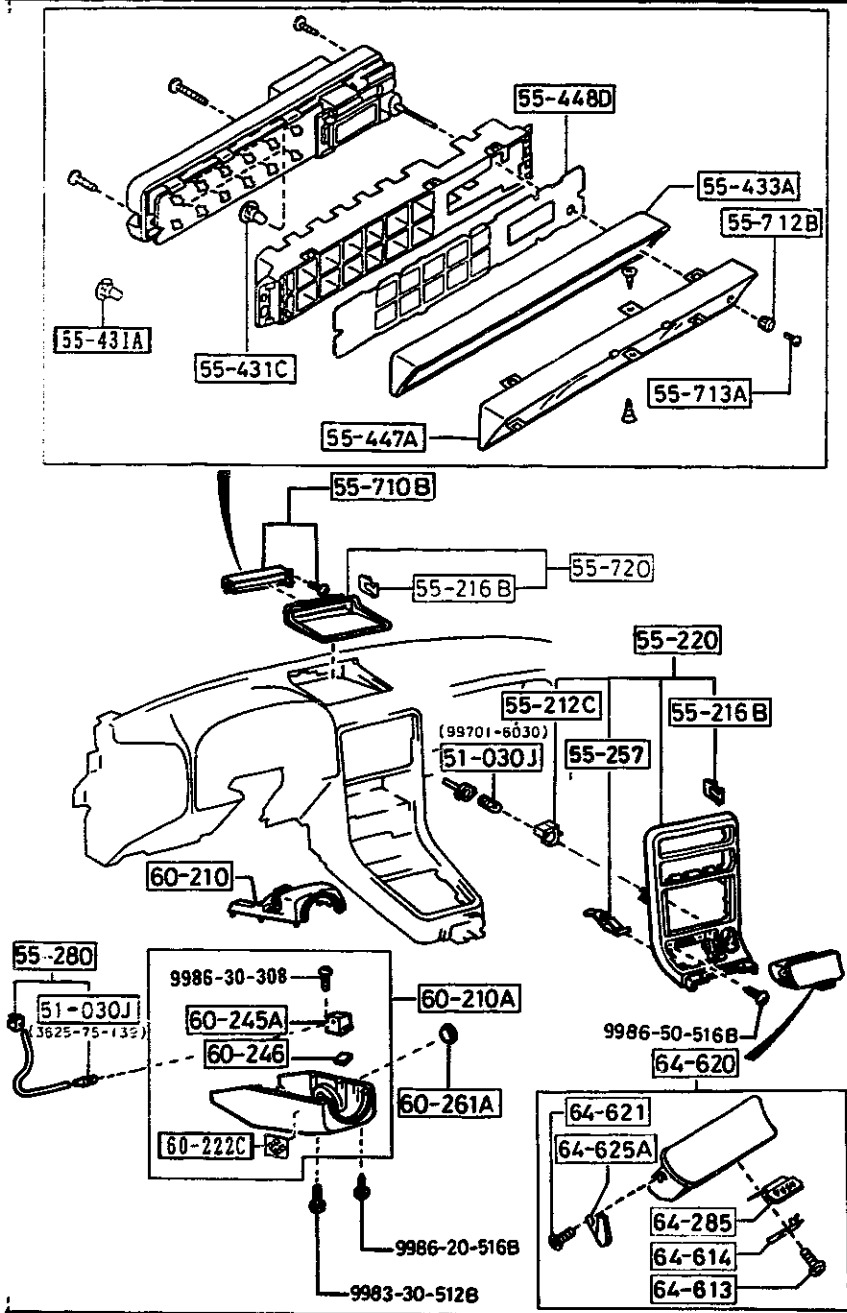
SECTION NAME INDEX (BODY) 1/2

LO.NO	SEC.NO	SECTION NAME	LO.NO	SEC.NO	SECTION NAME	LO.NO	SEC.NO	SECTION NAME
3-C03	0900	KEY SETS	3-J09	5390	FLOOR ATTACHMENTS			
3-F03	5000	FRONT BUMPER	3-C10	5500	DASHBOARD EQUIPMENTS			
3-H03	5010	REAR BUMPER	3-F10	5520	METER HOOD			
3-J03	5020	HEAD LAMP CLEANER	3-G10	5530	SPEEDOMETER CABLE			
3-L03	5030	WINDOW MOULDINGS	3-H10	5540	METER COMPONENTS			
3-M03	5040	BODY MOULDINGS (COUPE)	3-J10	5560	DASHBOARD & RELATED PARTS			
3-E04	5060	SIDE PROTECTORS	3-E11	5570	CONSOLE			
3-I04	5100	HEAD LAMPS	3-H11	5580	VENTILATOR			
3-J04	5103	HEAD LAMP RETRACTORS	3-J11	5700	FRONT SEATS (COUPE)			
3-N04	5105	FRONT COMBINATION LAMPS	3-E13	5700A	FRONT SEATS (CONVERTIBLE)			
3-G05	5110	REAR COMBINATION LAMPS	3-K13	5750	REAR SEATS (COUPE)			
3-K05	5120	LICENSE LAMPS	3-M13	5790	SEAT BELTS (COUPE)			
3-M05	5125	INTERIOR LAMPS	3-C14	5790A	SEAT BELTS (CONVERTIBLE)			
3-N05	5130	OVERHEAD CONSOLE	3-D14	5800	FRONT DOORS (COUPE)			
3-C06	5170	ORNAMENTS	3-G14	5800A	FRONT DOORS (CONVERTIBLE)			
3-D06	5180	COWL & EXTRACTOR GRILLES	3-K14	5830	FRONT DOOR MECHANISMS (COUPE)			
3-G06	5230	BONNET	3-F15	5830A	FRONT DOOR MECHANISMS (CONVERTIBLE)			
3-J06	5260	TRUNK LID (CONVERTIBLE)	3-J15	5840	FRONT DOOR TRIMS & RELATED PARTS (COUPE)			
3-L06	5310	BODY PANELS (FRONT) (COUPE)	3-H16	5840A	FRONT DOOR TRIMS & RELATED PARTS (CONVERTIBLE)			
3-C07	5310 A	BODY PANELS (FRONT) (CONVERTIBLE)						
3-F07	5320	BODY PANELS (FENDER & WHEEL ARCH)						
3-K07	5330	BODY PANELS (DASH & COWL PANEL)						
3-L07	5340	BODY PANELS (SIDE) (COUPE)						
3-E08	5340A	BODY PANELS (SIDE) (CONVERTIBLE)						
3-K08	5360	BODY PANELS (ROOF) (W/O SUN ROOF)						
3-L08	5360 A	BODY PANELS (ROOF) (SUN ROOF)						
3-M08	5370	BODY PANELS (FLOOR) (COUPE)						
3-D09	5370 A	BODY PANELS (FLOOR) (CONVERTIBLE)						
3-H09	5380	FLOOR ATTACHMENTS (HOLE COVERS)						



FROM-TO

-9A01
9A01-



PART NO.	QTY	MODEL/RESTRICTION	MODEL/RESTRICTION	MODEL/RESTRICTION	FROM-TO
51-030J		BULB			
3625-75-139	1	12V 1.4W.FOR WARNING GXL, TURBO, CONV, (W/KEY ILLUMI.)			
99701-6030	1	12V 3.4W			
55-212C		BOX, LAMP-(C) PANEL			
FC01-55-212	1				
55-216B		SPRING, CENTER PANEL			
B092-55-257	4				
55-220		PANEL, CENTER			
FC01-55-210A	1				
55-257		PLATE, PARTITION			
FC01-55-257	2				
55-280		BULB & SOCKET			
G032-55-280A	1	GXL, TURBO, CONV, (W/KEY ILLUMI.)			
55-431A		BULB, AUTO CLOCK			
FC66-55-431	1	(W/AIR BAG)			
55-431C		BULB*B', WARNING UNIT			
F802-55-431	10	(CONVERTIBLE)			
	11	((CPE))>(W/O TURBO)			
	12	((CPE))>(TURBO)			
55-433A		SEPARATOR, WARNING UN IT			
F801-55-433	2				
55-447A		GLASS, FRONT-WARNING UNIT			
F802-55-447B	1	USA, (W/CLOCK)			
55-448D		LENS, WARNING UNIT			
FC02-55-448	1	((CPE))>(W/O TURBO)			
FC06-55-448	1	((CPE))>(TURBO)			
FC33-55-448	1	((CONVERTIBLE))>(W/O			

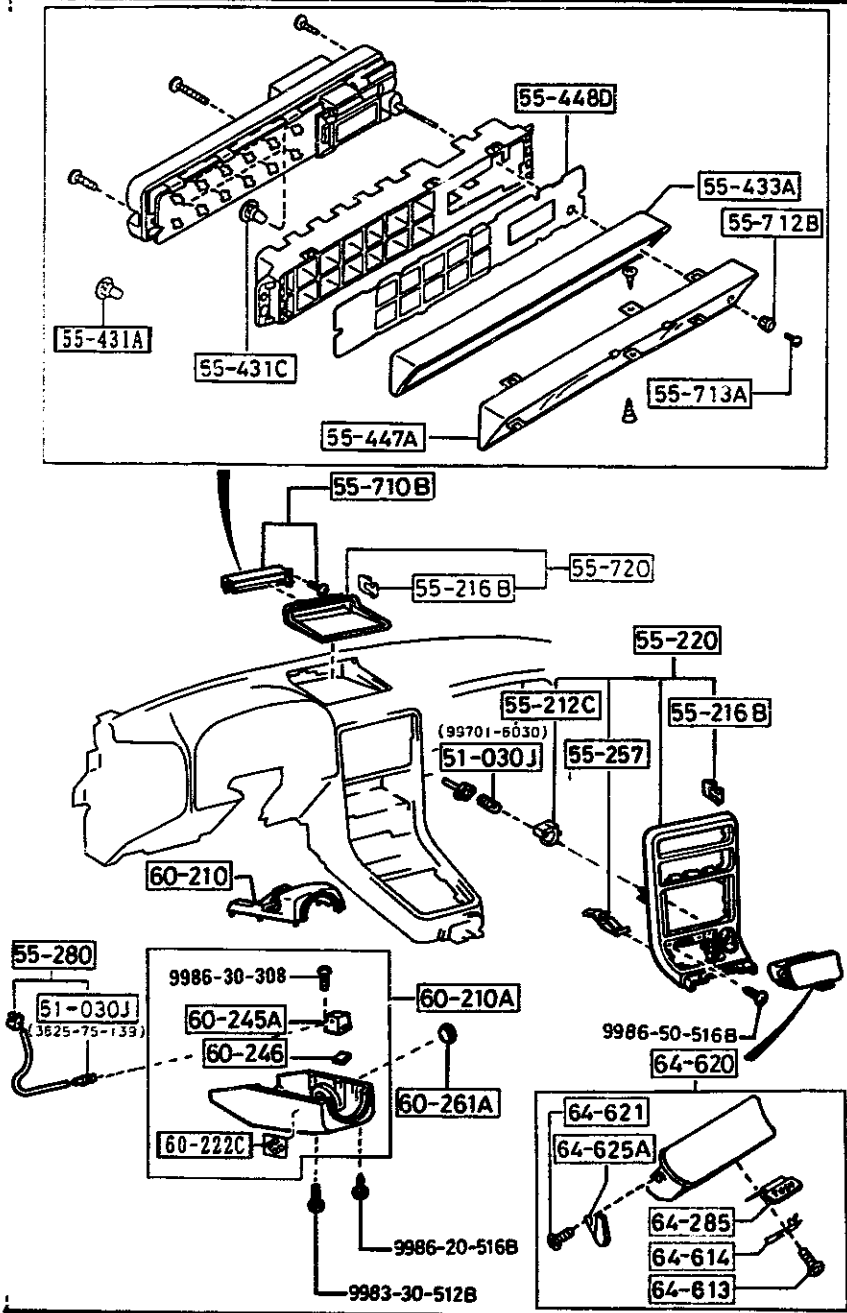
1992-05

AUFA02

CAT. AUFA02-06

1992-05

3-C10



PART NO.	QTY	MODEL/RESTRICTION	MODEL/RESTRICTION	MODEL/RESTRICTION	FROM TO
CONT'D					
FC66-55-448	1	((CONVERTIBLE)>(W/AIR BAG)			
55-710B		UNIT, WARNING			
FC02-55-710	1	((CPE)>(W/O TURBO)			
FC06-55-710	1	((CPE)>(TURBO)			
FC33-55-710	1	((CONVERTIBLE)>(W/O AIR BAG)			
FC66-55-710	1	((CONVERTIBLE)>(W/AIR BAG)			
55-712B		KNOB, CLOCK			
FB01-55-713	1				
55-713A		SCREW, RESET KNOB			
FB01-55-714	1				
55-720		BEZEL, AUTO CLOCK			
F055-55-71XB	1				
02		FD8 FE1 BLACK			
19		FE0 RED			
48		FD9 BLUE			
60-210		COVER, COLUMN-UPPER			
FC66-60-220A	1	(W/AIR BAG)			
FB01-60-221A	1	(W/O AIR BAG)			
60-210A		COVER, COLUMN-LOWER			
FB01-60-230A	1	(W/O AIR BAG)			
FC66-60-230B	1	(W/AIR BAG)			
60-222C		LABEL, INDICATOR			
BR70-60-222	1	(W/AIR BAG)			
60-245A		CASE, LAMP			
FB01-60-232	1	(W/O AIR BAG)			
FC66-60-232	1	(W/AIR BAG)			
60-246		LENS, COLUMN COVER			

AUFA02

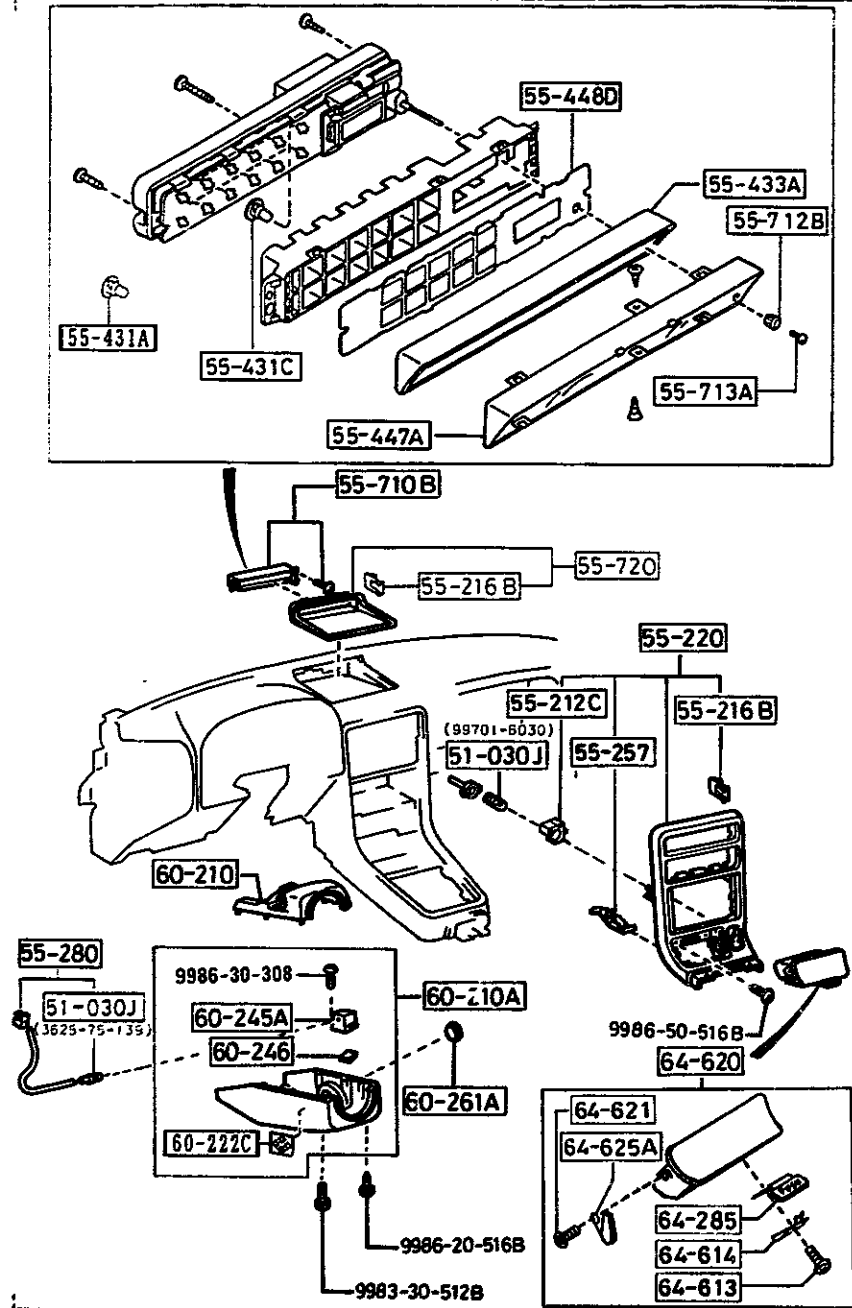
CAT. AUFA02-06

1992-05

3-D10

5500 DASHBOARD EQUIPMENTS

5500 -3 * DASHBOARD EQUIPMENTS



PART NO.	QTY	MODEL/RESTRICTION	MODEL/RESTRICTION	MODEL/RESTRICTION	FROM-TO
CONT'D					
FB01-60-233	1	(W/O AIR BAG)			
FC66-60-233	1	(W/AIR BAG)			
60-261A		HOLDER, KEY CYLINDER			
FB01-60-261A	1				
64-285		SPRING, ASH TRAY			
FC01-64-612	1				
64-613		SCREW, ASH TRAY			
FC01-64-613	1				
64-614		PLATE, LOCK-ASH TRAY			
FC01-64-614	1				
64-620		TRAY, ASH			
FC01-64-610	1				
64-621		SCREW, ASH TRAY			
FC01-64-621	1				
64-625A		DAMPER			
FC01-64-625	1				

AUFA02

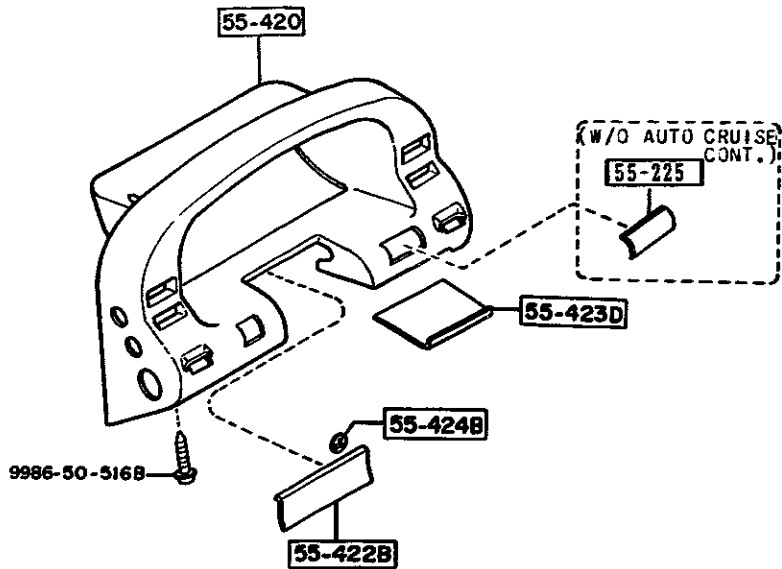
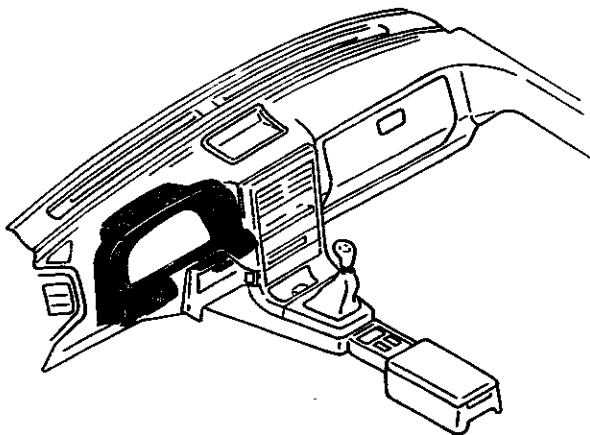
CAT. AUFA02-06

1992-05

3-E10

5520 METER HOOD

5520 -1 * METER HOOD



PART NO.	QTY	MODEL/RESTRICTION	MODEL/RESTRICTION	MODEL/RESTRICTION	FROM-TO
55-225 FC01-55-225	1	COVER, HOLE-CLUSTER SWITCH GTU, GTUS, (W/O AUTO CRUISE CONT.)			
55-420 FC01-55-420 FC66-55-420	1	HOOD, METER & CLUSTER SW. (W/O AIR BAG)			
55-422B FB01-55-422	1	SEAL, DUST-CLUSTER SWITCH (W/O AIR BAG)			
55-423D FC01-55-423	1	COVER, SERVICE HOLE-CLUSTER (W/O AIR BAG)			
55-424B FB01-55-424	2 6	RING, PUSH-DUST SEAL (W/O AIR BAG) (W/AIR BAG)			

AUFA02

CAT. AUFA02-06

1992-05

3-F10

557



9986-

6

907

6

6

6

(11)

998

64

64

64

64

64

64

64

64

64

64

64

64

64

64

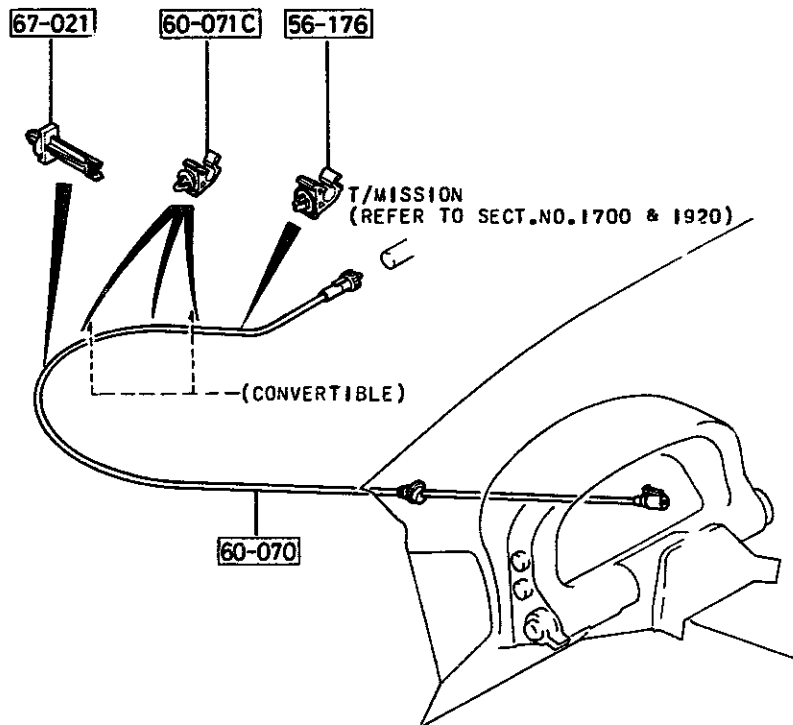
64

64

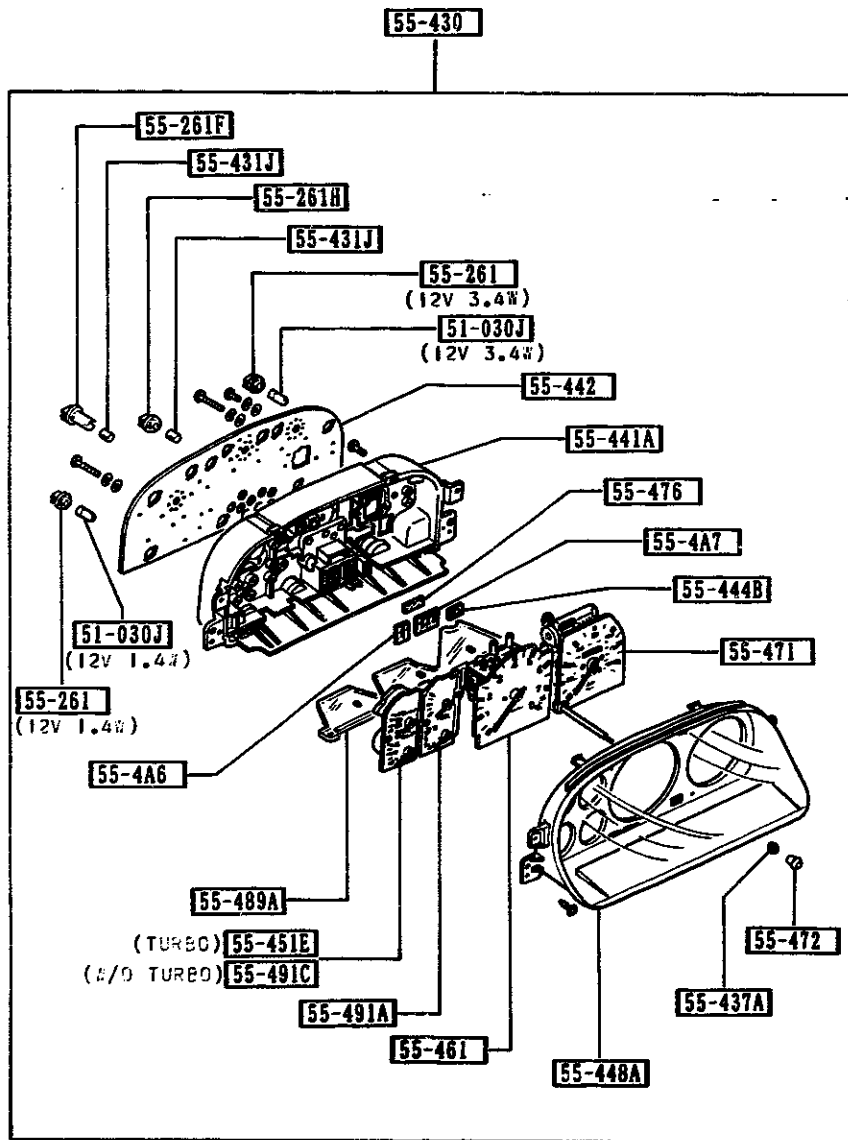
64

64

64



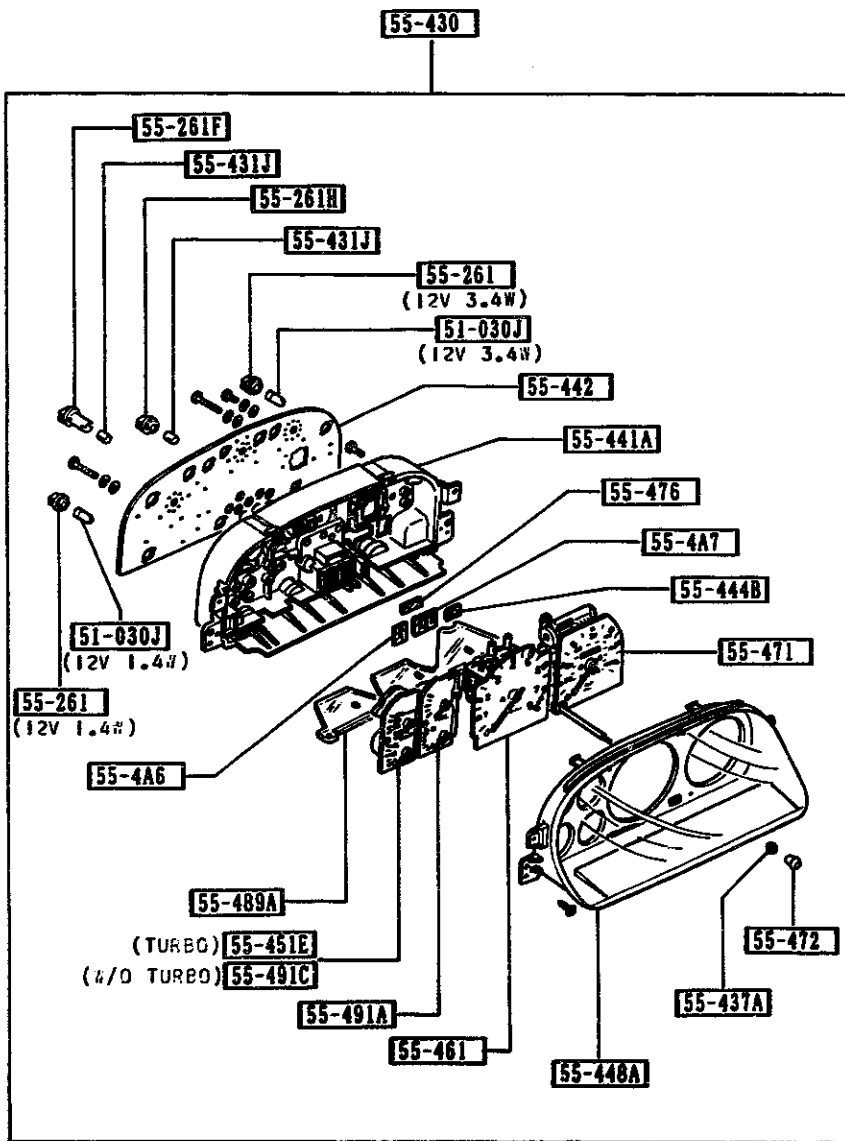
PART NO.	QTY	MODEL/RESTRICTION	MODEL/RESTRICTION	MODEL/RESTRICTION	FROM-TO
56-176		HOLDER, JACK HANDLE			
G030-56-176	1	(CPE)			
60-070		CABLE, SPEEDOMETER			
FB01-60-070A	1	((CPE)>(MT))			
FB02-60-070A	1	((CPE)>(AT))			
FB67-60-070	1	((CONVERTIBLE)>(MT))			
FC47-60-070	1	((CONVERTIBLE)>(AT))			
60-071C		CLIP			
UB40-60-071	1	(CPE)			
	3	(CONVERTIBLE)			
67-021		CLIP			
FB01-67-021	1				



PART NO.	QTY	MODEL/RESTRICTION	MODEL/RESTRICTION	MODEL/RESTRICTION	FROM-TO
51-030J		BULB			
3625-75-139	1	12V 1.4W, FOR WARNING			
99701-6030	8	12V 3.4W			
55-261		SOCKET			
8545-55-261	8	12V 3.4W			
8548-55-261	1	12V 1.4W BLACK			
55-261F		SOCKET			
FC07-55-432	3 (AT)				
55-261H		SOCKET, BULB			
KA01-55-466	4 (AT)				
55-4A6		LENS, INDICATOR-METER			
FC07-55-468	1 (AT)				
55-4A7		LENS, A/T INDICATOR-METER			
FC07-55-469	1 (AT)				
55-430		METER SET			
FC01-55-430A	1	((W/O TURBO))<(MT))			
FC07-55-430A	1	((W/O TURBO))<(AT))			
FC17-55-430A	1	(TURBO)			
55-431J		BULB *A*, METER SET			
KA01-55-465	7	12V/2W (AT)			
55-437A		GROMMET, KNOB-METER SET			
FB01-55-437	1				
55-441A		CASE, METER			
FC01-55-441	1				
55-442		PLATE NO. 1, PRINT			
FC01-55-442	1	((W/O TURBO))<(MT))			
FC07-55-442	1	((W/O TURBO))<(AT))			

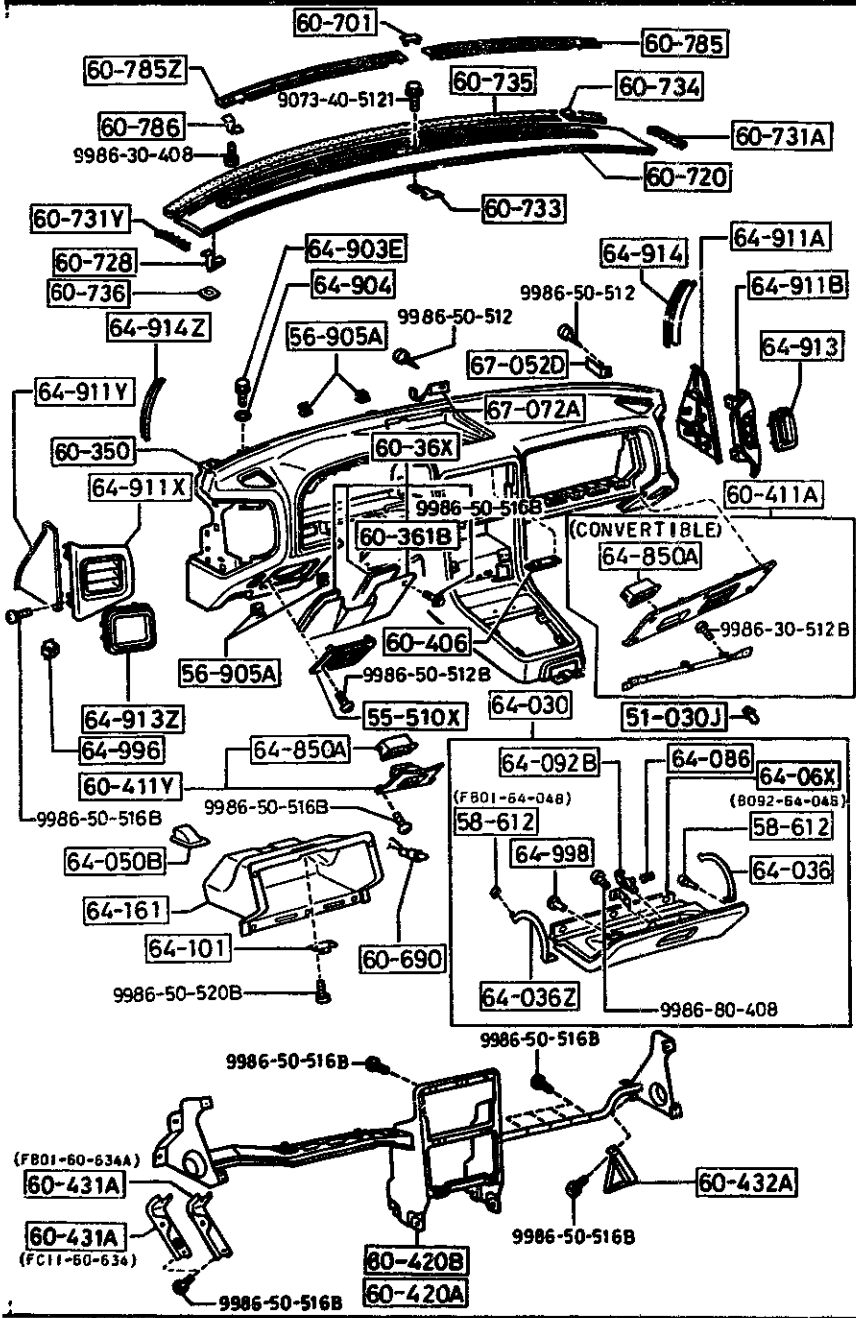
5540 METER COMPONENTS

5540 -2 * METER COMPONENTS



PART NO.	QTY	MODEL/RESTRICTION	MODEL/RESTRICTION	MODEL/RESTRICTION	FROM-TO
CONT'D					
FC17-55-442	1	(TURBO)			
55-444B		LENS, WARNING			
FC01-55-444	1				
55-448A		LENS, FRONT			
FC01-55-447	1				
55-451E		METER, BOOST & OIL			
FC17-55-451	1	(TURBO)			
55-461		TACHOMETER			
FC01-55-461	1	((W/O TURBO)) (MT)			
FC07-55-461	1	((W/O TURBO)) (AT)			
FC17-55-461	1	(TURBO)			
55-471		SPEEDMETER			
FC01-55-471	1	(W/O TURBO)			
FC17-55-471	1	(TURBO)			
55-472		KNOB, TRIPMETER			
1907-75-102A	1				
55-476		LENS, INDICATOR			
FC07-55-452	1	(AT)			
55-489A		PLATE, LIGHT GUIDE-METER			
FC01-55-489	1				
55-491A		METER, FUEL & THERMO			
FC01-55-481	1	(W/O TURBO)			
FC17-55-481	1	(TURBO)			
55-491C		METER, OIL & VOLTAGE			
FC01-55-491	1	(W/O TURBO)			

5560 DASHBOARD & RELATED PARTS



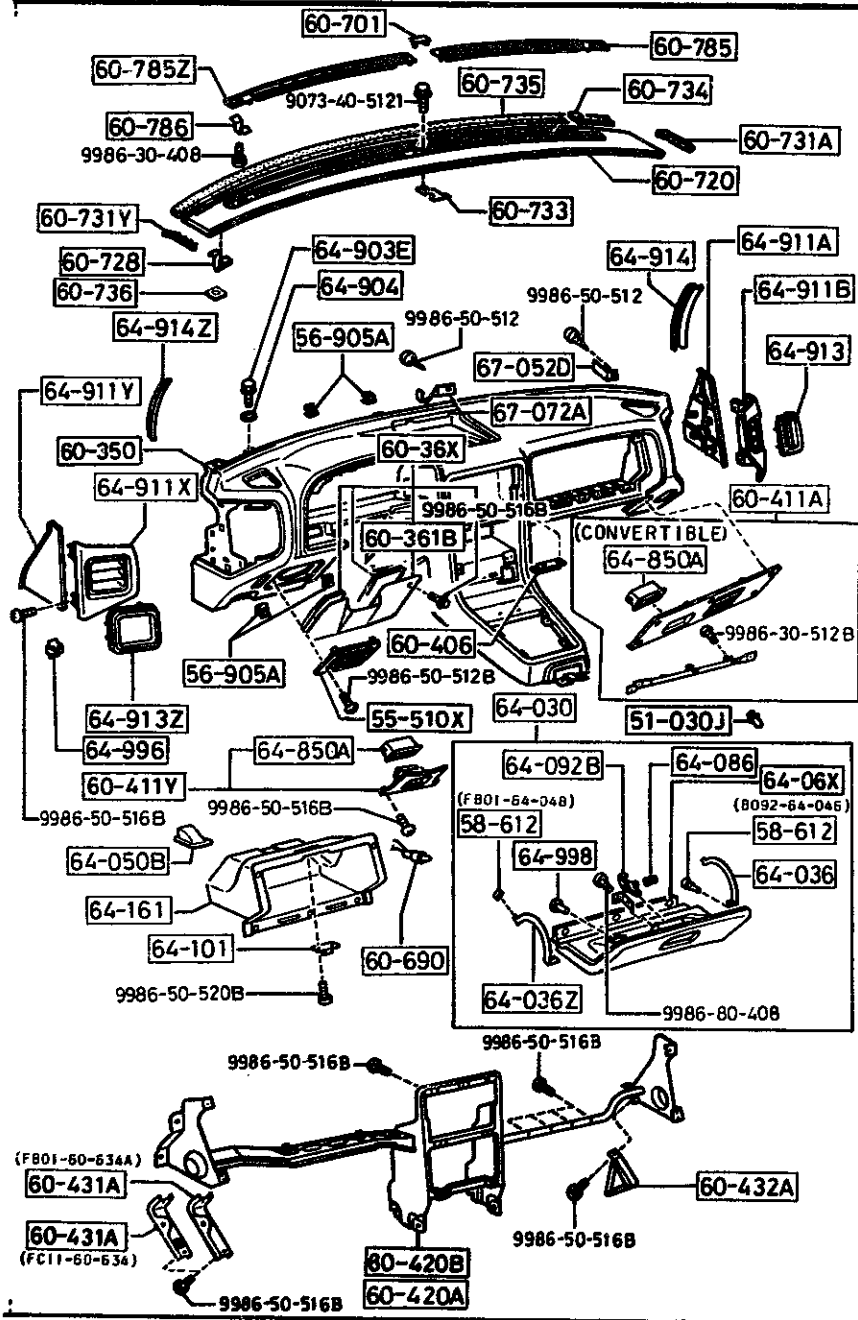
AUFA02

PART NO.	QTY	MODEL/RESTRICTION	MODEL/RESTRICTION	MODEL/RESTRICTION	FPQM-TO
51-030J		BULB			
99701-6030	1	12V 3.4W			
55-510X		GRILLE(L), SPEAKER			
FB01-60-821	1	(W/O AIR BAG)			
02		FD8 FE1 BLACK			
19		FE0 RED			
48		FD9 BLUE			
56-905A		NUT, SPRING			
8092-60-408	24				
58-612		CUSHION, RUBBER			
8092-64-046	2	(CONVERTIBLE)			
	4	(CPE)			
FB01-64-048	2				
60-350		PAD, CRUSH			
FB01-60-350E	1	(W/O AIR BAG)			
02		FD8 FE1 BLACK			
19		FE0 RED			
48		FD9 BLUE			
FC66-60-350B	1	(W/AIR BAG)			
02		FD8 FE1 BLACK			
48		FD9 BLUE			
60-36X		PAD NO.1, INST PANEL			
FC66-60-36XB	1	(W/AIR BAG)			
02		FD8 FE1 BLACK			
48		FD9 BLUE			
60-361B		PAD NO.1, INST PANEL			
FC66-60-361B	1	(W/AIR BAG)			
02		FD8 FE1 BLACK			
48		FD9 BLUE			
60-406		BRACKET, CENTER PANEL			

CAT. AUFA02-06

1992-05

2-J10



PART NO.	QTY	MODEL/RESTRICTION	MODEL/RESTRICTION	MODEL/RESTRICTION	FROM-TO
CONT'D FB01-55-216A	1				
60-411A		PANEL (R), LOWER			
FB01-64-250B	1	((CONVERTIBLE))>(W/O AIR BAG)			
02		F08 FE1 BLACK			
48		FD9 BLUE			
FC01-64-250A	1	(CPE) ((CONVERTIBLE))>(W/AI R BAG)			
02		F08 FE1 BLACK			
19		F09 RED			
48		FD9 BLUE			
60-411Y		PANEL (L), LOWER			
FB01-64-270A	1	(CPE) ((CONVERTIBLE))>(W/O AIR BAG)			
02		F08 FE1 BLACK			
19		F09 RED			
48		FD9 BLUE			
60-420A		FRAME, INST. PANEL			
FB67-60-420F	1	((CONVERTIBLE))>(W/O AIR BAG)			
FC01-60-420B	1	(CPE)			
60-420B		MEMBER, CRUSH PAD			
FC66-60-420B	1	((CONVERTIBLE))>(W/AI R BAG)			
60-431A		BRACKET NO.1			
FB01-60-634A	1	((CONVERTIBLE))>(W/O AIR BAG)			
FC11-60-634	1	((CONVERTIBLE))>(W/O AIR BAG)			
60-432A		BRACKET NO.2			
FB01-60-635	1	(CONVERTIBLE)			
60-690		SWITCH, GLOVE TRAY			
FA54-66-540	1				

AUFA02

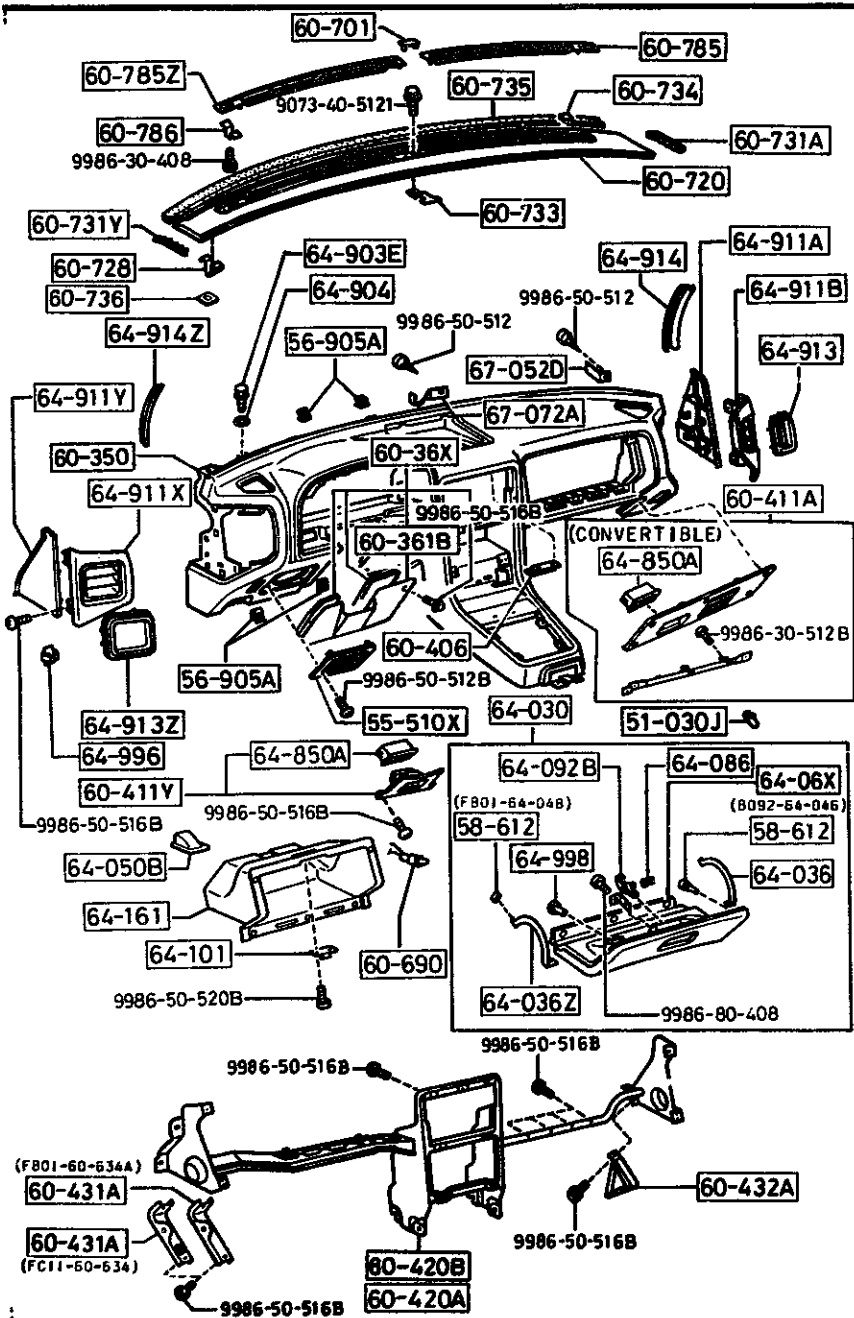
CAT. AUFA02-06

1992-05

3-K10

5560 DASHBOARD & RELATED PARTS

5560 -3 DASHBOARD & RELATED PARTS



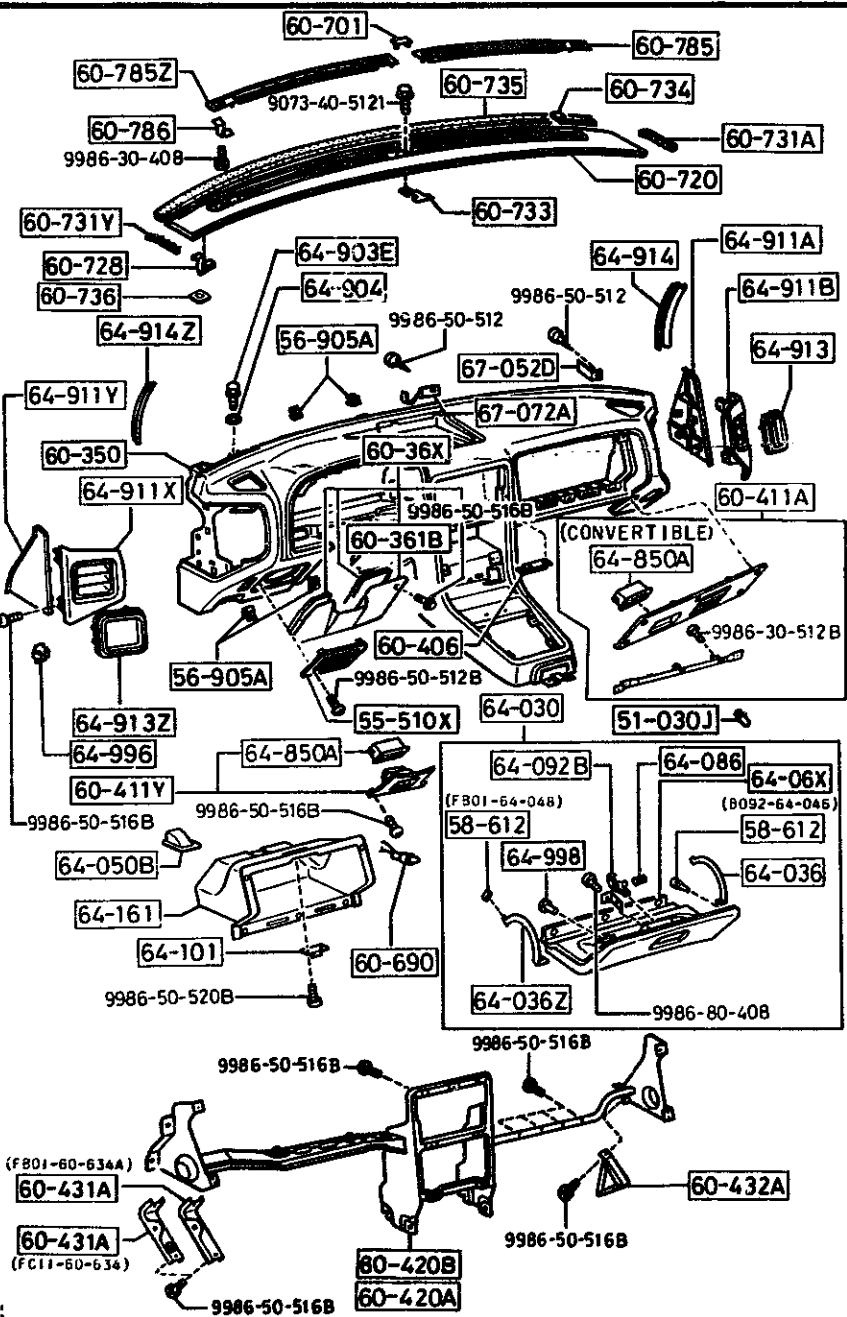
PART NO.	QTY	MODEL/RESTRICTION	MODEL/RESTRICTION	MODEL/RESTRICTION	FRUM-TO
60-701		CAP, GARNISH			
FB01-64-905	1				
02		FD8 FE1 BLACK			
19		FED RED			
48		FD9 BLUE			
60-720		GARNISH, UPPER			
FB01-60-720A	1				
02		FD8 FE1 BLACK			
19		FED RED			
48		FD9 BLUE			
60-728		CLIP, GARNISH-INST.			
FB01-60-728A	6				
60-731A		COVER(R), GARNISH-INST.			
FB01-60-731A	1				
02		FD8 FE1 BLACK			
19		FED RED			
48		FD9 BLUE			
60-731Y		COVER(L), GARNISH-INST.			
FB01-60-732A	1				
02		FD8 FE1 BLACK			
19		FED RED			
48		FD9 BLUE			
60-733		BRACKET, GARNISH-INST			
FB01-60-733	1				
60-734		PAD NO. 1, GARNISH-UPPER			
FB01-60-734A	4				
60-735		PAD NO. 2, GARNISH-UPPER			
FB01-60-735	1				
60-736		RUBBER, CUSHION-GARNISH			
FB01-60-736	6				

AUFA02

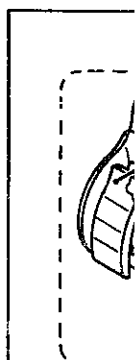
CAT. AUFA02-06

1992-05

3-L10



PART NO.	QTY	MODEL/RESTRICTION	MODEL/RESTRICTION	MODEL/RESTRICTION	FROM-TO
60-785		GRILLE(R),DEF.NOZZLE			
FB01-60-785A A (FB67-60-785A)	1				-0601
02		F08 FE1 BLACK			
19		F09 RED			
48		F09 BLUE			
FB67-60-785A	1				0601-
02		F08 FE1 BLACK			
19		F09 RED			
48		F09 BLUE			
60-785Z		GRILLE(L),DEF.NOZZLE			
FB01-60-785A A (FB01-60-795B)	1				-0601
02		F08 FE1 BLACK			
19		F09 RED			
48		F09 BLUE			
FB01-60-795B	1				0601-
02		F08 FE1 BLACK			
48		F09 BLUE			
60-786		CLIP,DEFROSTER GRILL E			
FB01-60-786A	4				
64-030		BOX,GLOVE (CPE)			
FC01-64-030	1				
02		F08 FE1 BLACK			
19		F09 RED			
48		F09 BLUE			
FC33-64-030	1	(CONVERTIBLE)			
02		F08 FE1 BLACK			
48		F09 BLUE			
64-036		STOPPER(R),GLOVE LID			
FB01-64-043	1				
64-036Z		STOPPER(L),GLOVE LID			
FB01-64-044	1				
0601 FC3MM-806965					



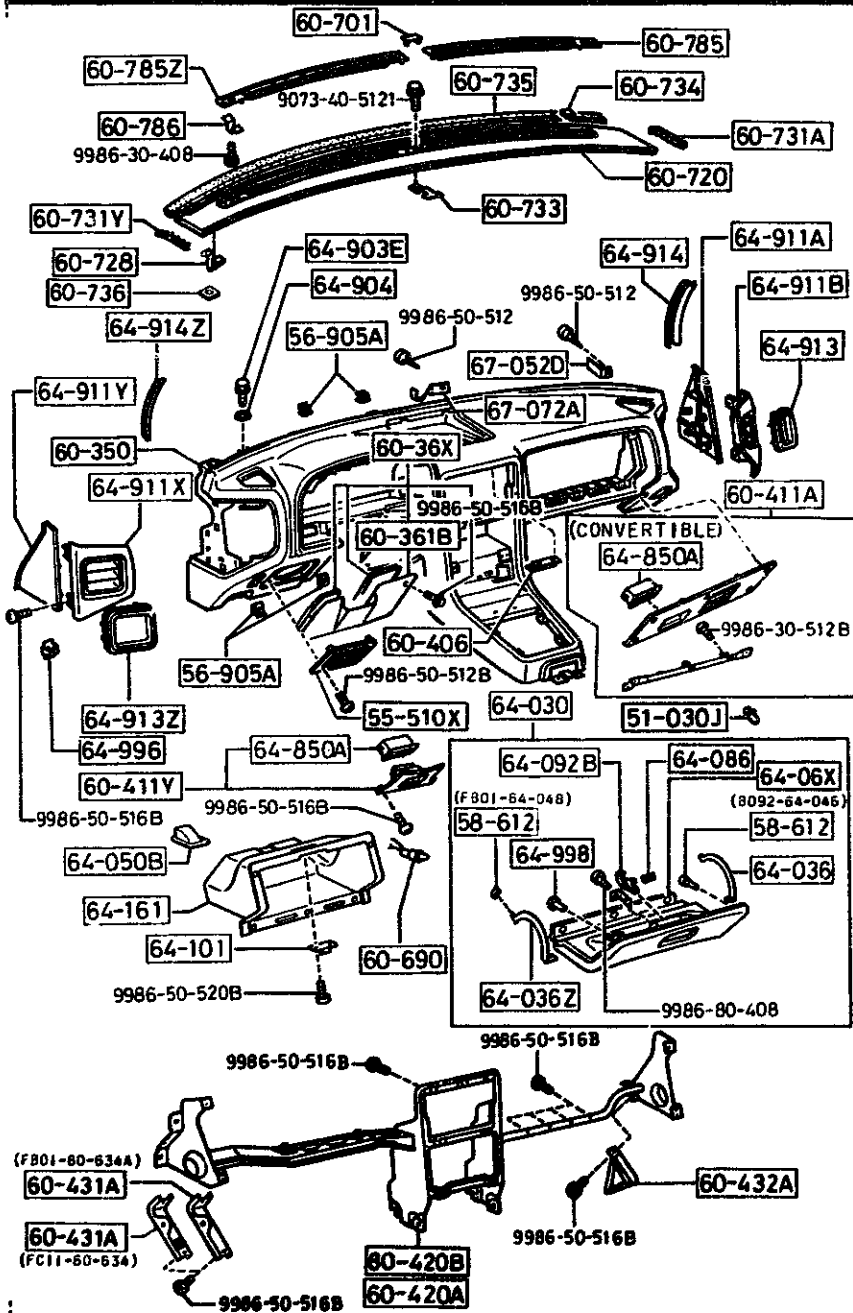
88-160

57-57

3-M10

5560 DASHBOARD & RELATED PARTS

5560 -5 DASHBOARD & RELATED PARTS



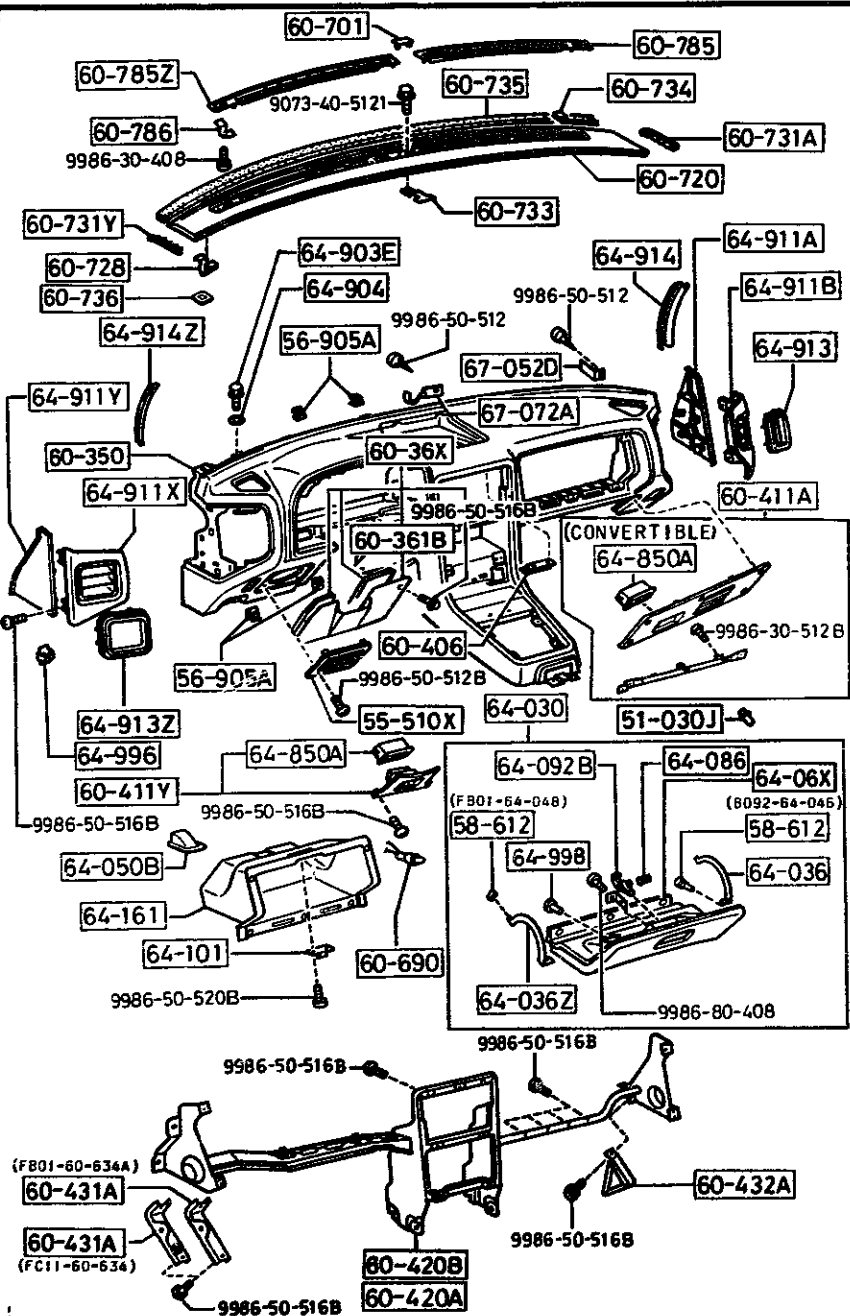
PART NO.	QTY	MODEL/RESTRICTION	MODEL/RESTRICTION	MODEL/RESTRICTION	FROM TO
64-050B		BOX, BULB			
H043-64-050	1				
64-06X		HINGE, GLOVE LID			
FC01-64-06X	1	(CPE)			
64-086		SPRING, GLOVE LID			
FB67-64-049	1				
64-092B		HOOK, GLOVE LID			
HF05-64-092	1				
64-101		STRIKER			
FB67-64-10X	1				
64-161		BOX, GLOVE			
FB01-64-161A	1	GTU, GTUS, (W/O FLOCKS TRIM) (CPE)			
FB02-64-161A	1	GXL, TURBO, (W/FLOCKS TRIM) (CPE)			
FB67-64-161A	1	(CONVERTIBLE)			
64-850A		LOUVER, LAP-LOWER PANEL			
FB01-64-850	1	(CPE)			
	2	((CONVERTIBLE) (W/O AIR BAG))			
02		FD8 FE1 BLACK			
19		FE0 RED			
48		FD9 BLUE			
64-903E		BOLT			
BE32-64-903	2				
64-904		WASHER, RUBBER			
BE32-64-904	2				
64-911A		COVER (R), SIDE			
FB01-64-912	1				
02		FD8 FE1 BLACK			

SECTION NAME INDEX (BODY)1/2

LO.NO	SEC.NO	SECTION NAME	LO.NO	SEC.NO	SECTION NAME	LO.NO	SEC.NO	SECTION NAME
3-C03	0900	KEY SETS	3-J09	5390	FLOOR ATTACHMENTS			
3-F03	5000	FRONT BUMPER	3-C10	5500	DASHBOARD EQUIPMENTS			
3-H03	5010	REAR BUMPER	3-F10	5520	METER HOOD			
3-J03	5020	HEAD LAMP CLEANER	3-G10	5530	SPEEDOMETER CABLE			
3-L03	5030	WINDOW MOULDINGS	3-H10	5540	METER COMPONENTS			
3-M03	5040	BODY MOULDINGS (COUPE)	3-J10	5560	DASHBOARD & RELATED PARTS			
3-E04	5060	SIDE PROTECTORS	3-E11	5570	CONSOLE			
3-I04	5100	HEAD LAMPS	3-H11	5580	VENTILATOR			
3-J04	5103	HEAD LAMP RETRACTORS	3-J11	5700	FRONT SEATS (COUPE)			
3-N04	5105	FRONT COMBINATION LAMPS	3-E13	5700A	FRONT SEATS (CONVERTIBLE)			
3-G05	5110	REAR COMBINATION LAMPS	3-K13	5750	REAR SEATS (COUPE)			
3-K05	5120	LICENSE LAMPS	3-M13	5790	SEAT BELTS (COUPE)			
3-M05	5125	INTERIOR LAMPS	3-C14	5790A	SEAT BELTS (CONVERTIBLE)			
3-N05	5130	OVERHEAD CONSOLE	3-D14	5800	FRONT DOORS (COUPE)			
3-C06	5170	ORNAMENTS	3-G14	5800A	FRONT DOORS (CONVERTIBLE)			
3-D06	5180	COWL & EXTRACTOR GRILLES	3-K14	5830	FRONT DOOR MECHANISMS (COUPE)			
3-G06	5230	BONNET	3-F15	5830A	FRONT DOOR MECHANISMS (CONVERTIBLE)			
3-J06	5260	TRUNK LID (CONVERTIBLE)	3-J15	5840	FRONT DOOR TRIMS & RELATED PARTS (COUPE)			
3-L06	5310	BODY PANELS (FRONT) (COUPE)	3-H16	5840A	FRONT DOOR TRIMS & RELATED PARTS (CONVERTIBLE)			
3-C07	5310 A	BODY PANELS (FRONT) (CONVERTIBLE)						
3-F07	5320	BODY PANELS (FENDER & WHEEL ARCH)						
3-K07	5330	BODY PANELS (DASH & COWL PANEL)						
3-L07	5340	BODY PANELS (SIDE) (COUPE)						
3-E08	5340A	BODY PANELS (SIDE) (CONVERTIBLE)						
3-K08	5360	BODY PANELS (ROOF) (W/O SUN ROOF)						
3-L08	5360 A	BODY PANELS (ROOF) (SUN ROOF)						
3-M08	5370	BODY PANELS (FLOOR) (COUPE)						
3-D09	5370 A	BODY PANELS (FLOOR) (CONVERTIBLE)						
3-H09	5380	FLOOR ATTACHMENTS (HOLE COVERS)						



5560 DASHBOARD & RELATED PARTS

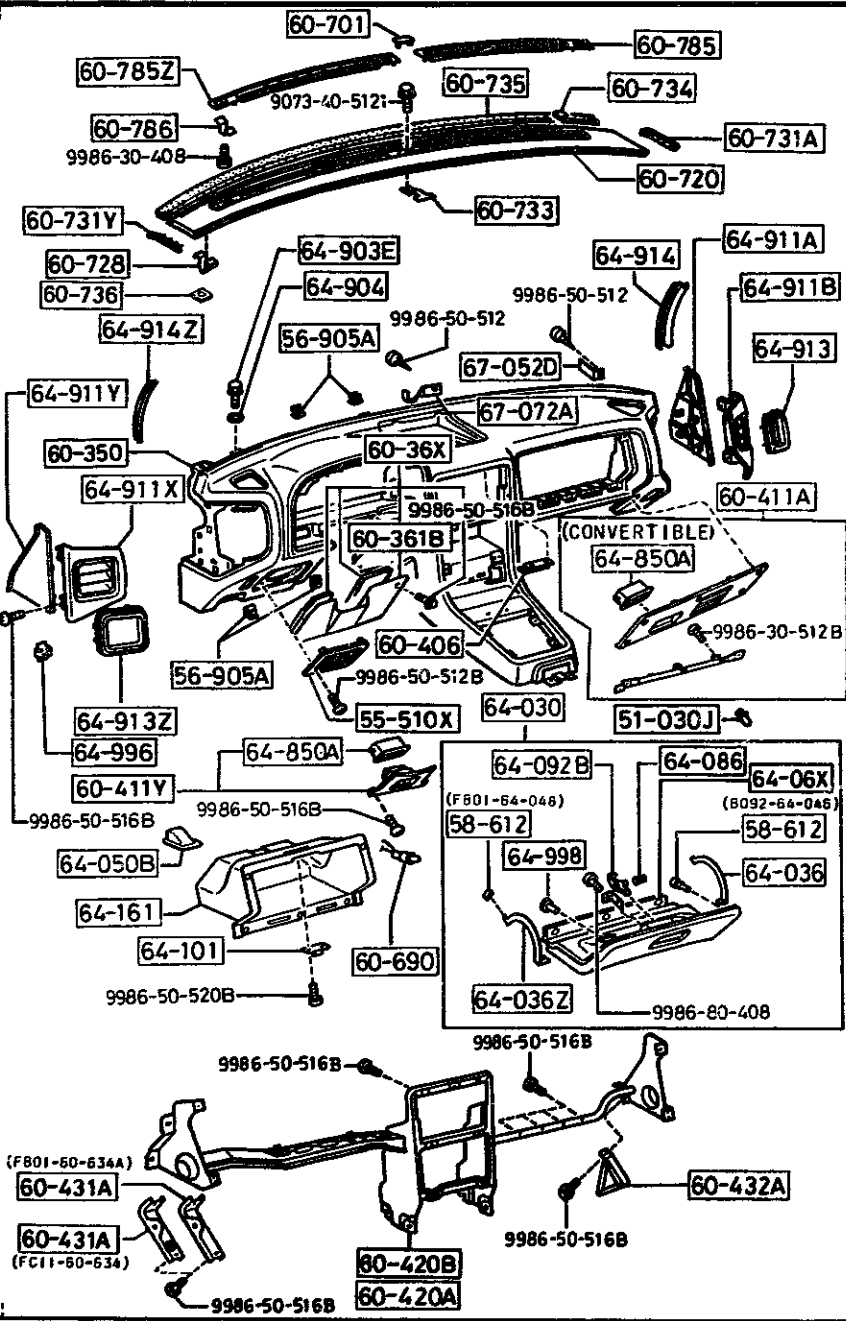


AUFA02

CAT. AUFA02-06

1992-05

PART NO.	QTY	MODEL/RESTRICTION	MODEL/RESTRICTION	MODEL/RESTRICTION	FROM TO
CONT'D					
19		FE0 RED			
48		FD9 BLUE			
		64-911B			
FB01-64-911A	1	PANEL(R),SIDE-CRUSH PAD			
02		FD8 FE1 BLACK			
19		FE0 RED			
48		FD9 BLUE			
		64-911X			
FB01-64-921A	1	PANEL(L),SIDE-CRUSH PAD			
02		FD8 FE1 BLACK			
19		FE0 RED			
48		FD9 BLUE			
		64-911Y			
FB01-64-922	1	COVER(L),SIDE			
02		FD8 FE1 BLACK			
19		FE0 RED			
48		FD9 BLUE			
		64-913			
FB01-64-913	1	RUBBER(R),SEAL-SIDE PANEL			
		64-913Z			
FB01-64-923	1	RUBBER(L),SEAL-SIDE PANEL			
		64-914			
FB01-64-914	1	COVER(R),SIDE NO.2			
02		FD8 FE1 BLACK			
19		FE0 RED			
48		FD9 BLUE			
		64-914Z			
FB01-64-924	1	COVER(L),SIDE NO.2			
02		FD8 FE1 BLACK			
19		FE0 RED			
48		FD9 BLUE			



AUFA02

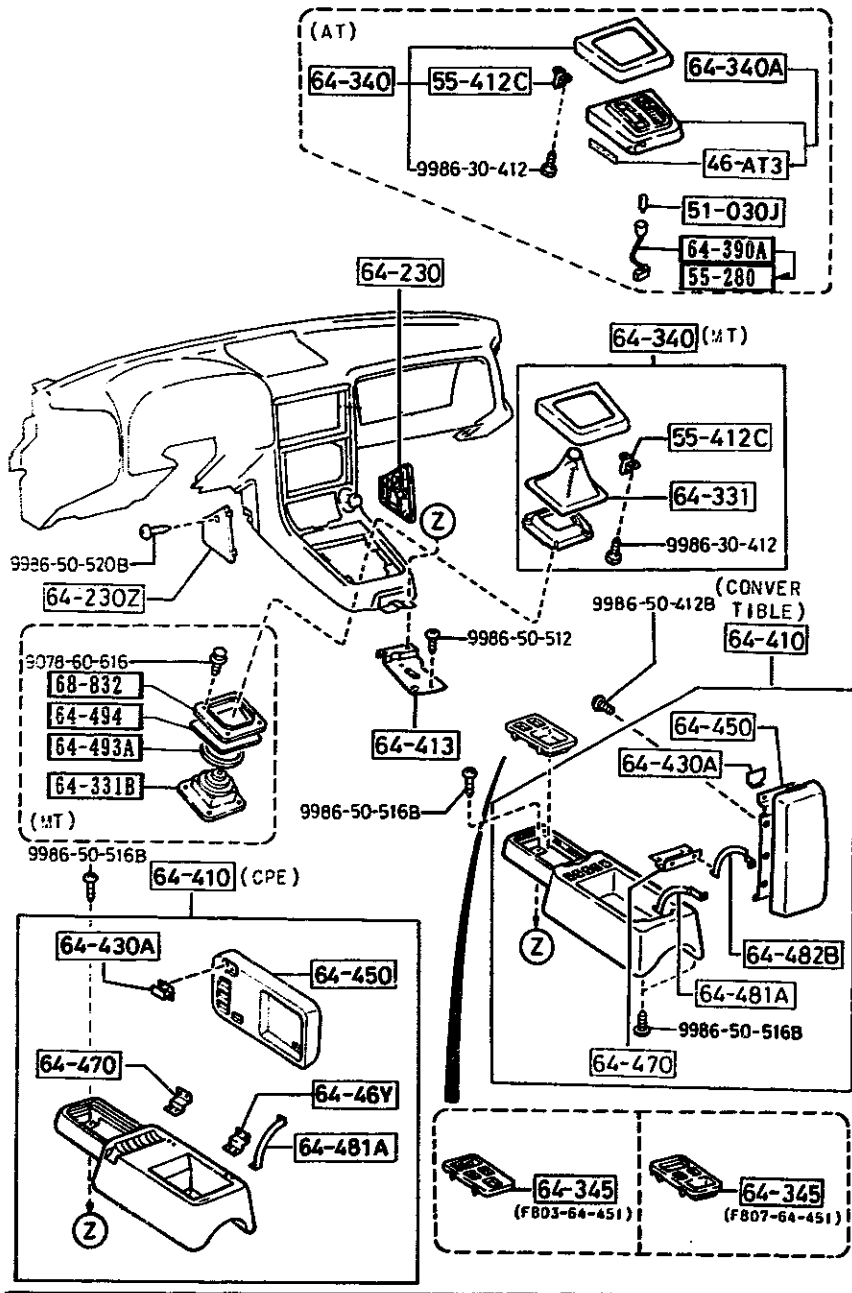
PART NO.	QTY	MODEL/RESTRICTION	MODEL/RESTRICTION	MODEL/RESTRICTION	FROM-TO
64-996	11	NUT, EXPANSION (CPE)			
H043-64-996A	13	(CONVERTIBLE)			
64-998	10	SCREW, GLOVE LID			
H199-64-998					
67-052D	1	CLIP			
8545-67-052					
67-072A	2	CLIP			
GC77-67-072					

CAT. AUFA02-06

1992-05

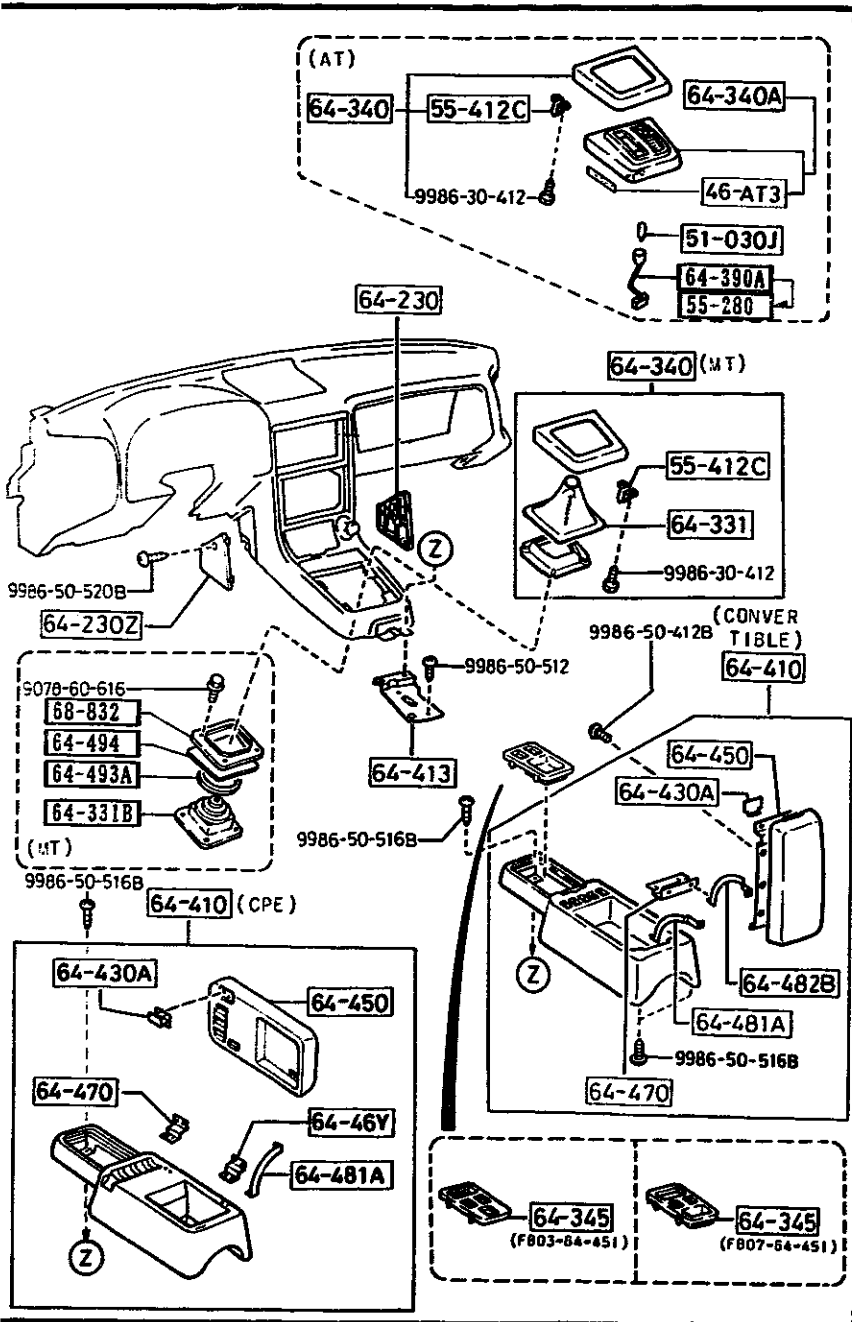
AUFA02

3-D11



PART NO.	QTY	MODEL/RESTRICTION	MODEL/RESTRICTION	MODEL/RESTRICTION	FROM-TO
46-AT3		LABEL, CHANGE			
FC08-46-AT3B	1	ENGLISH (AT)			-9823
51-030J		BULB			
99701-6030	1	12V 3.4W (AT)			
55-280		BULB & SOCKET			
FC07-55-280	1	(AT)			9207-
55-412C		SPRING			
8531-55-412	4				
64-230		WALL (R), SIDE			
FB01-64-221A	1				
02		F08 FE1 BLACK			
19		F09 RED			
48		F09 BLUE			
64-230Z		WALL (L), SIDE			
FB01-64-231A	1				
02		F08 FE1 BLACK			
19		F09 RED			
48		F09 BLUE			
64-331		BOOT, CHANGE			
FC01-64-331	1	(MT)			
64-331B		BOOT, CHANGE			
FB01-64-490B	1	(MT)			
64-340		PLATE, UPPER			
FC01-64-340B	1	(MT)			
FC07-64-390A	1	(AT)			
64-340A		INDICATOR			
FC07-64-350C	1				-9207
A (FC07-64-350D)					
FC07-64-350D	1				9207-9823
A (FC07-64-350E)					

9207 FC3***-702537
9823 FC3***-801679

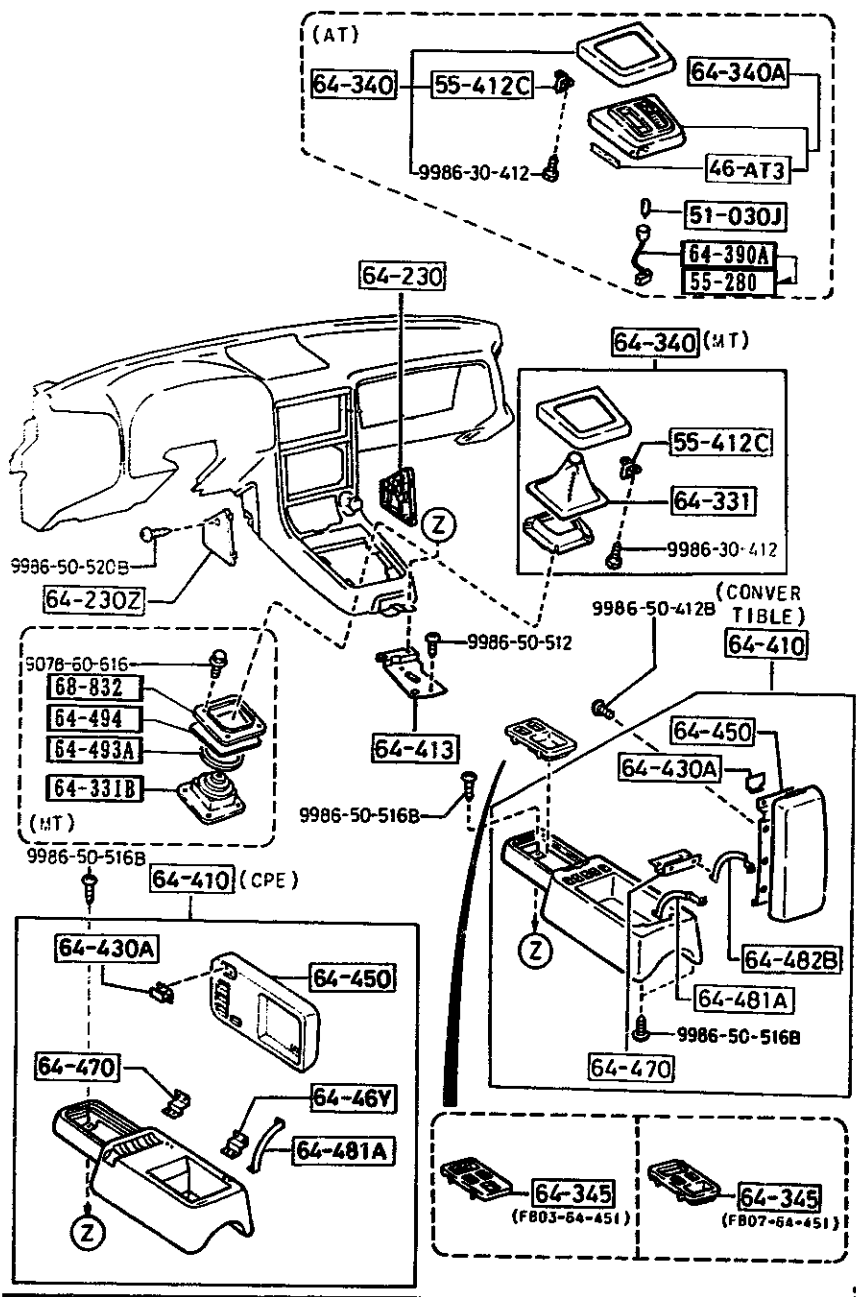


PART NO.	QTY	MODEL/RESTRICTION	MODEL/RESTRICTION	MODEL/RESTRICTION	FROM TO
CONT'D FC07-64-350E	1	(AT)			9823-
		64-345	PANEL, SWITCH		
FB03-64-451	1	GTU, GTUS, TURBO, (W/DR MIR. SW. W/O A.A. .SUSP. SW.) (CPE)			
FB07-64-451	1	GXL, CONV, (W/DR MIR. SW. W/O A.A.S USP. SW.)			
		64-390A	CORD, INDICATOR		
UC81-64-390	1	(AT)			-9207
		64-410	CONSOLE, REAR		
FB02-64-410C	1	(CONVERTIBLE)			
02		FD8 FE1 BLACK			
48		FD9 BLUE			
FC01-64-410B	1	GTU, GTUS, (W/O FLOCKS TRIM) (CPE)			
02		FD8 FE1 BLACK			
19		FE0 RED			
48		FD9 BLUE			
FC02-64-410B	1	GXL, TURBO, (W/FLOCKS TRIM) (CPE)			
02		FD8 FE1 BLACK			
19		FE0 RED			
48		FD9 BLUE			
		64-413	BRACKET, CONSOLE-NO. 1		
FB01-64-44X	1	GTU, GTUS, TURBO, (W/DR MIR. SW. W/O A.A. .SUSP. SW.)			
		64-430A	LOCK, CONSOLE-REAR		
FC01-64-43Y	1	GTU, GTUS, TURBO, (W/DR MIR. SW. W/O A.A. .SUSP. SW.) (CPE)			
FB01-64-430	1	(CONVERTIBLE)			
		64-45	LID, CONSOLE		
9207 FC3NN-702557 9823 FC3NN-801679					

AUFA02

CAT. AUFA02-06

1992-05



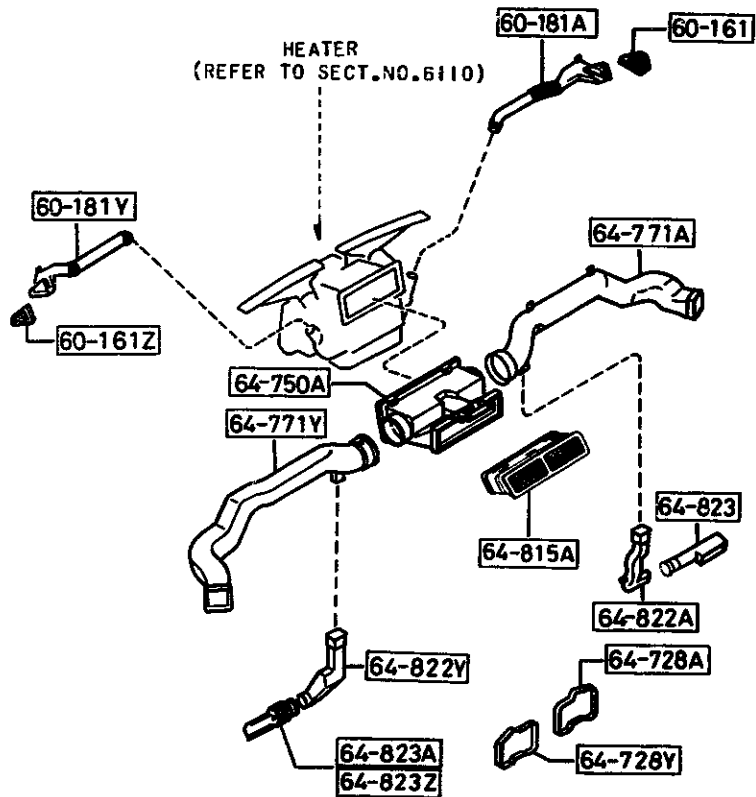
PART NO.	QTY	MODEL/RESTRICTION	MODEL/RESTRICTION	MODEL/RESTRICTION	FROM-TO
CONT'D					
FB01-64-440B	1	(CONVERTIBLE)			
02		FD8 FE1 BLACK			
48		FD9 BLUE			
FC01-64-450A	1	(CPE)			
02		FD8 FE1 BLACK			
19		FE0 RED			
48		FD9 BLUE			
64-46Y		HINGE, CONSOLE LID-RR			
FC01-64-46X	1	(CPE)			
64-470		HINGE			
FB01-64-45X	1	(CONVERTIBLE)			
02		FD8 FE1 BLACK			
48		FD9 BLUE			
FC01-64-45X	1	(CPE)			
64-481A		STOPPER, CONSOLE LID			
FB01-64-452	1	(CONVERTIBLE)			
FC01-64-452	1	(CPE)			
64-482B		STOPPER, CONSOLE LID			
FB01-64-453	1	(CONVERTIBLE)			
64-493A		PACK, SILENT			
H001-64-493	1	(MT)			
64-494		PAD, CHANGE BOOT			
FB01-64-495	1	(MT)			
68-832		SHEET, BOOT			
FB01-64-491	1	(MT)			

AUFA02

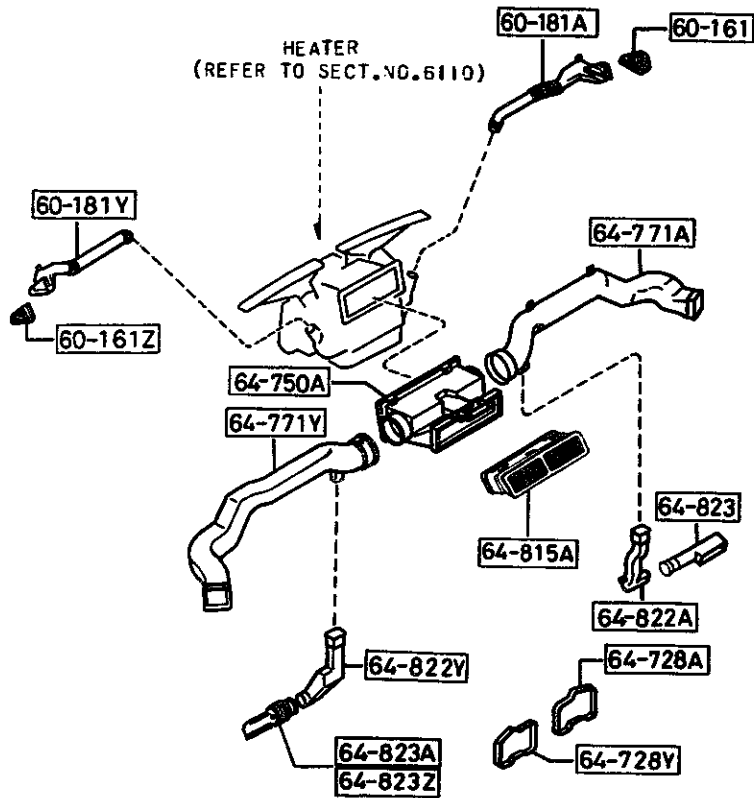
CAT. AUFA02-06

1992-05

3-G11



PART NO.	QTY	MODEL/RESTRICTION	MODEL/RESTRICTION	MODEL/RESTRICTION	FROM-TO
60-161		GRILLE(R), DEMISTER			
FB01-60-161A	1				
02		FD8 FE1 BLACK			
19		FE0 RED			
48		FD9 BLUE			
60-161Z		GRILLE(L), DEMISTER			
FB01-60-171A	1				
02		FD8 FE1 BLACK			
19		FE0 RED			
48		FD9 BLUE			
60-181A		DUCT(R), SIDE DEMIST.			
FB01-60-181	1				
60-181Y		DUCT(L), SIDE DEMIST.			
FB01-60-191	1				
64-728A		GASKET(R)			
FB01-64-728	1	(CPE)			
64-728Y		GASKET(L)			
FB01-64-828	1	(CPE)			
64-750A		DUCT, CENTER			
FB01-61-161	1				
64-771A		DUCT NO. 1(R)			
FB01-64-760	1	((CONVERTIBLE)) (W/O AIR BAG)			
FC01-64-760	1	(CPE) ((CONVERTIBLE)) (W/AIR BAG)			
64-771Y		DUCT NO. 1(L)			
FB01-64-770	1	(CPE) ((CONVERTIBLE)) (W/O AIR BAG)			
FC66-64-770	1	((CONVERTIBLE)) (W/AIR BAG)			


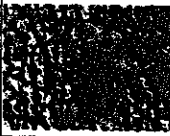

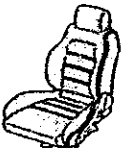


PART NO.	QTY	MODEL/RESTRICTION	MODEL/RESTRICTION	MODEL/RESTRICTION	FROM-TO
64-815A		LOUVER, CENTER			
FC01-64-840	1				
64-822A		DUCT NO. 1(R), VENTILATOR			
FB01-64-822	1	((CONVERTIBLE)) (W/O AIR BAG)			
64-822Y		DUCT NO. 1(L), LAP-VENT			
FB01-64-832A	1	((CONVERTIBLE)) (W/O AIR BAG)			
FC01-64-832	1	(CPE)			
64-823		DUCT NO. 2(R), LAP-VENT			
FB01-64-823	1	((CONVERTIBLE)) (W/O AIR BAG)			
64-823A		DUCT NO. 2, LAP-VENT.			
FB01-64-833	1	((CONVERTIBLE)) (W/O AIR BAG)			
64-823Z		DUCT NO. 2(L), LAP VENT			
FC01-64-833	1	(CPE)			





88-160

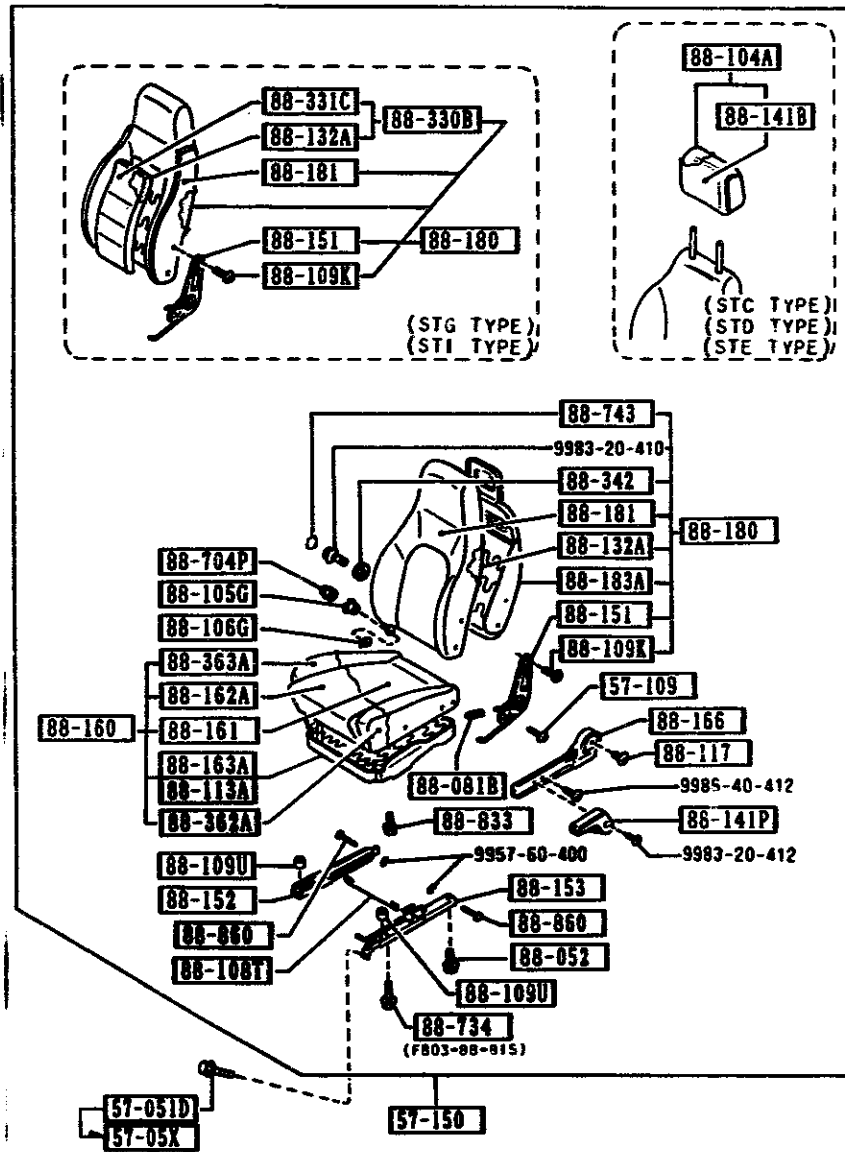
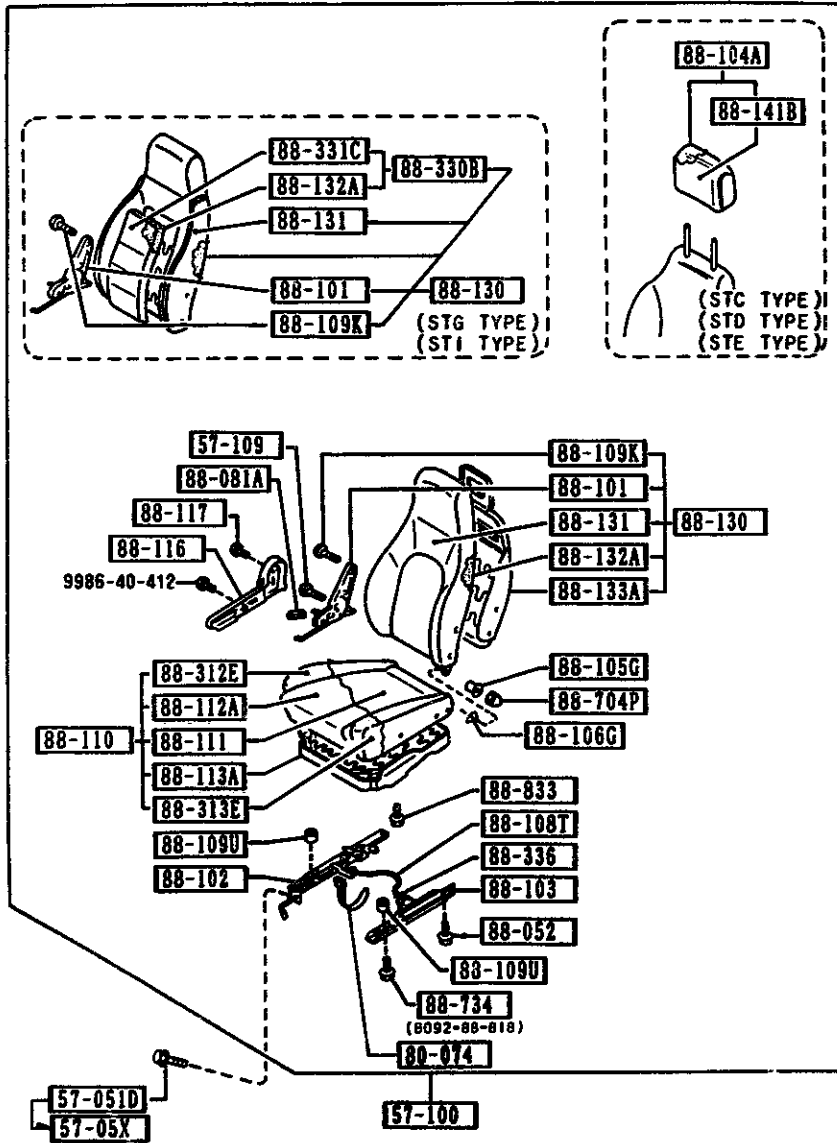
57
57

(THIS ILLUSTRATION CONSISTS OF 4 PAGES)

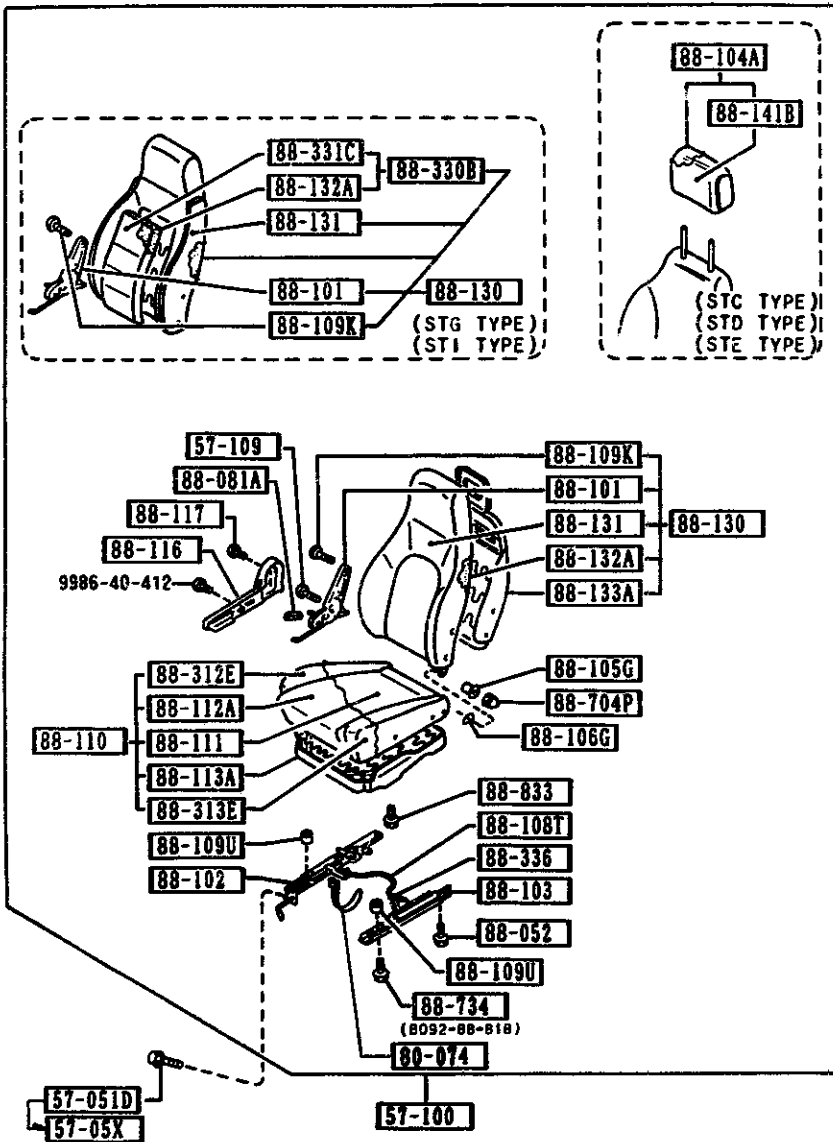
SPECIFICATIONS		GRADE	
		TURBO-OPT.	GXL-OPT.
SEAT TYPE		STI TYPE	STE TYPE
SEAT TRIM		LEATHER	LEATHER
			
			
HEADRESTRAINT	SEPARATE TYPE	-	X
REAR SEAT		-	-

(THIS ILLUSTRATION CONSISTS OF 4 PAGES)

GTU.	GTUS. TURBO.	GXL.	GXL.
STA TYPE	STG TYPE	STC TYPE	STD TYPE
CLOTH 'A'	CLOTH 'D'	CLOTH 'B'	CLOTH 'B'
			
-	-	X	X
-	-	-	X

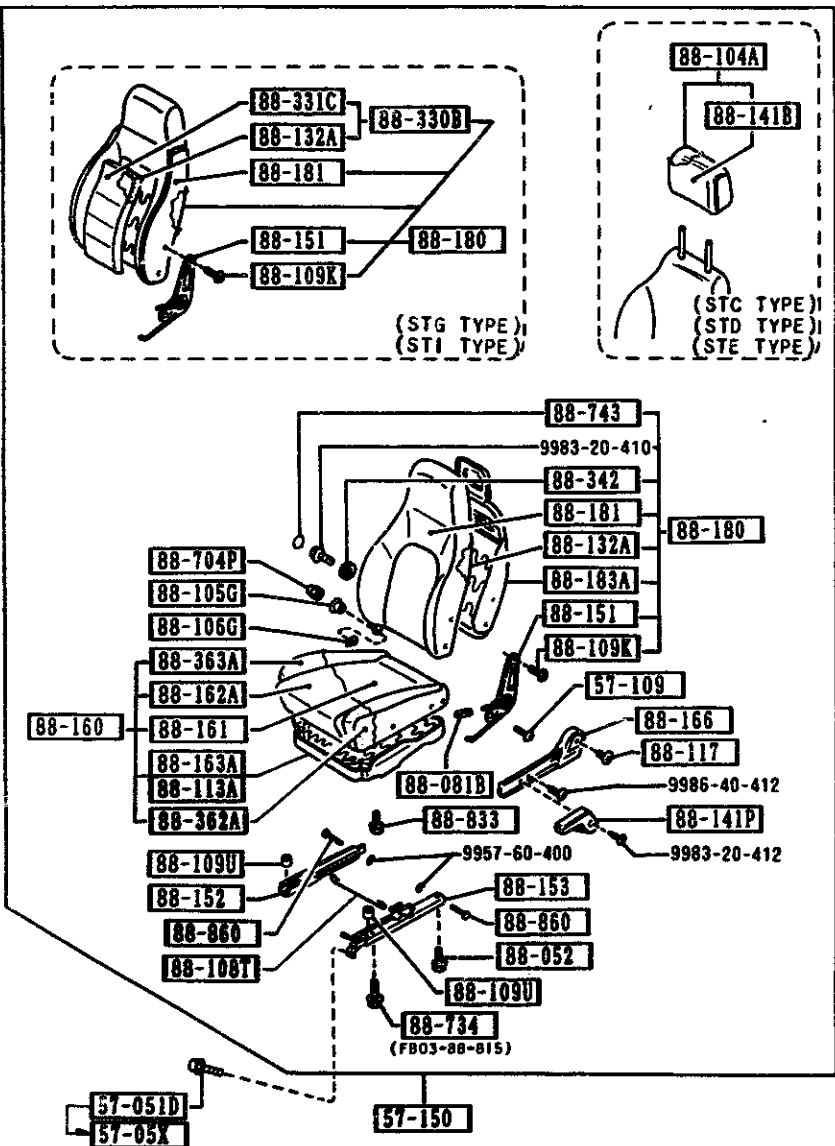


(THIS ILLUSTRATION CONSISTS OF 4 PAGES)



PART NO.	QTY	MODEL/RESTRICTION	MODEL/RESTRICTION	MODEL/RESTRICTION	FROM-TO
57-05X		BOLT, LINK			
B455-57-05X	8				9324-
57-051D		BOLT, SET			
UB40-57-05X	8				-9324
57-100		SEAT(R), FRONT			
FCY4-57-100	1	2-SEAT-GXL-OPT, (STE TYPE)			
02		FD8 BLACK			
48		FD9 BLUE			
FCY5-57-100	1	TURBO-OPT, (STI TYPE)			
02		FD8 BLACK			
48		FD9 BLUE			
FC11-57-100A A (FC11-57-100B)	1				-9117
02		FD8 BLACK			
19		FEO RED			
48		FD9 BLUE			
FC13-57-100A A (FC13-57-100B)	1				-9117
02		FD8 BLACK			
19		FEO RED			
48		FD9 BLUE			
FC14-57-100A A (FC14-57-100B)	1				-9117
02		FD8 BLACK			
19		FEO RED			
48		FD9 BLUE			
FC17-57-100A A (FC17-57-100B)	1				-9117
02		FD8 BLACK			
48		FD9 BLUE			
FC17-57-100B	1	GTUS, TURBO, (STG TYPE)			9117-
02		FD8 BLACK			
48		FD9 BLUE			
FC11-57-100B	1				9117-9701
9117 FC3MNM-700199 9324 FC3MNM-705162 9701 FC3MNM-709151					

(THIS ILLUSTRATION CONSISTS OF 4 PAGES)

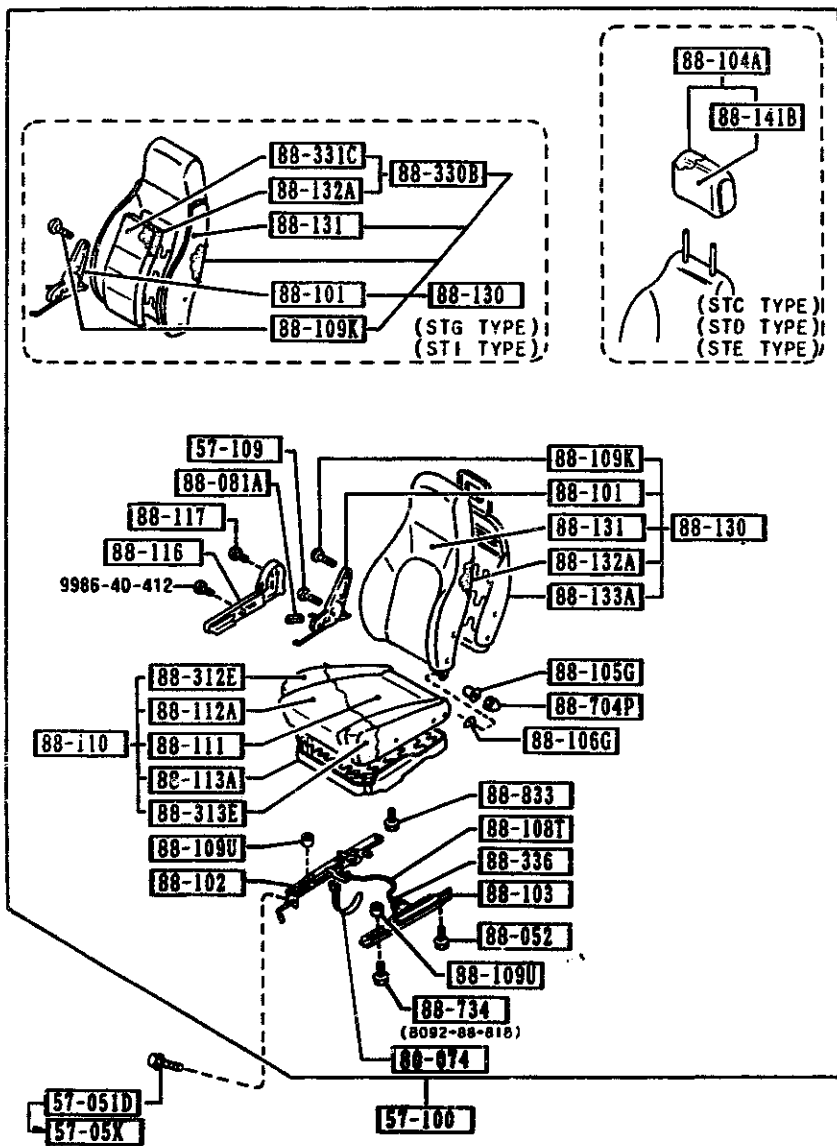


PART NO.	QTY	MODEL/RESTRICTION	MODEL/RESTRICTION	MODEL/RESTRICTION	FROM-TO
CONT'D					
A (FC11-57-100C)					
02		FD8 BLACK			
19		FE0 RED			
48		FD9 BLUE			
FC13-57-100B	1				9117-9701
A (FC13-57-100C)					
02		FD8 BLACK			
19		FE0 RED			
48		FD9 BLUE			
FC14-57-100B	1				9117-9701
A (FC14-57-100C)					
02		FD8 BLACK			
19		FE0 RED			
48		FD9 BLUE			
FC11-57-100C	1	GTU, (STA TYPE)			9701-
02		FD8 BLACK			
19		FE0 RED			
48		FD9 BLUE			
FC13-57-100C	1	2-SEAT-GXL, (STC TYPE)			9701-
02		FD8 BLACK			
19		FE0 RED			
48		FD9 BLUE			
FC14-57-100C	1	4-SEAT-GXL, (STD TYPE)			9701-
02		FD8 BLACK			
19		FE0 RED			
48		FD9 BLUE			
57-109		SCREW, KNUCKLE			
0259-57-109	4				
57-150		SEAT(L), FRONT			
FCY4-57-150	1	2-SEAT-GXL-OPT, (STE TYPE)			
02		FD8 BLACK			
48		FD9 BLUE			
9117 FC3MMH-700199					
9701 FC3MMH-709151					

5700 FRONT SEATS
(COUPE)

(3/4)

(THIS ILLUSTRATION CONSISTS OF 4 PAGES)



5700 -3 FRONT SEATS
(COUPE)

PART NO.	QTY	MODEL/RESTRICTION	MODEL/RESTRICTION	MODEL/RESTRICTION	FROM-TO
CONT'D					
FCY5-57-150	1	TURBO-OPT. (STI TYPE)			
02		F08 BLACK			
48		FD9 BLUE			
FC17-57-150A	1	GTUS, TURBO. (STG TYPE)			
02		F08 BLACK			
48		FD9 BLUE			
FC11-57-150A A (FC11-57-150B)	1				-9701
02		F08 BLACK			
19		FEO RED			
48		FD9 BLUE			
FC13-57-150A A (FC13-57-150B)	1				-9701
02		F08 BLACK			
19		FEO RED			
48		FD9 BLUE			
FC11-57-150B	1	GTU. (STA TYPE)			9701-
02		F08 BLACK			
19		FEO RED			
48		FD9 BLUE			
FC13-57-150B	1	GXL, (STC TYPE) (STD TYPE)			9701-
02		F08 BLACK			
19		FEO RED			
48		FD9 BLUE			
		80-074	BAND		
3966-88-116	1				
		88-052	BOLT		
8093-88-818	4				
		88-081A	KNOB(R), KNUCKLE		
8001-88-081	1				
02		F08 BLACK			

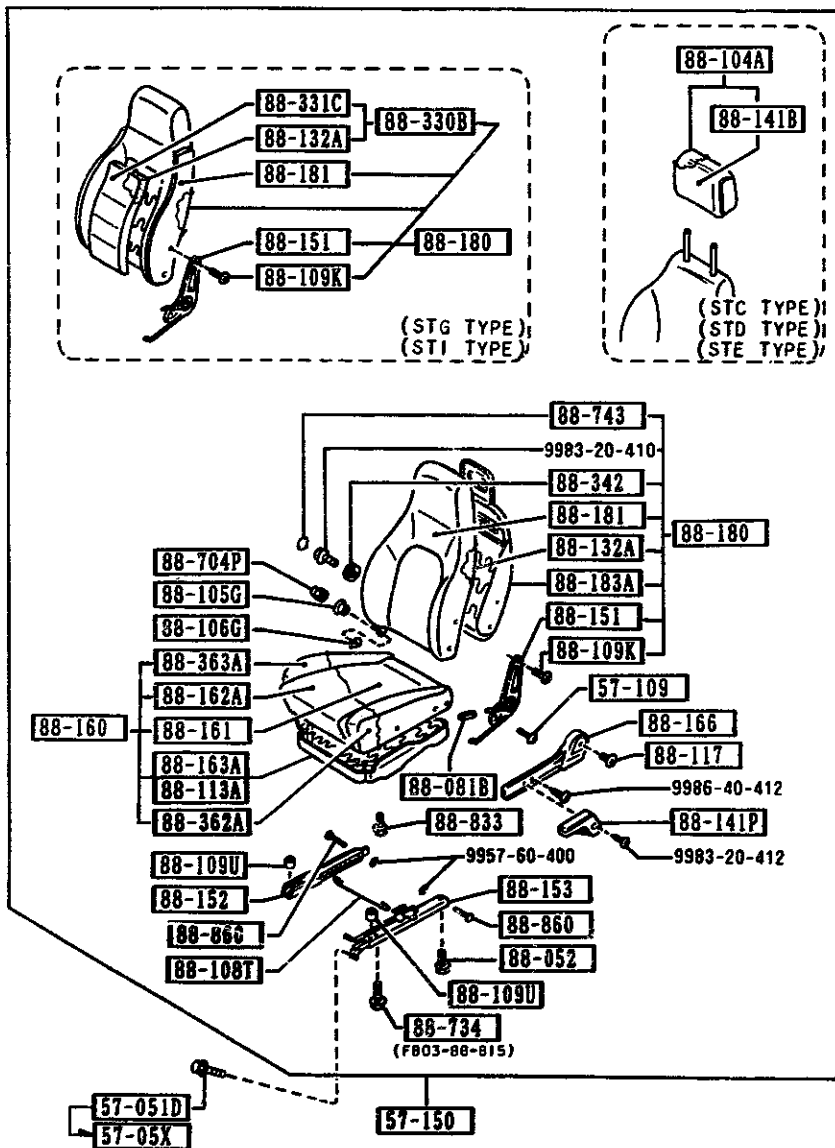
9701 FC3MNR-709151

SECTION NAME INDEX (BODY)1/2

LD.NO	SEC.NO	SECTION NAME	LD.NO	SEC.NO	SECTION NAME	LD.NO	SEC.NO	SECTION NAME
3-C03	0900	KEY SETS	3-J09	5390	FLOOR ATTACHMENTS			
3-F03	5000	FRONT BUMPER	3-C10	5500	DASHBOARD EQUIPMENTS			
3-H03	5010	REAR BUMPER	3-F10	5520	METER HOOD			
3-J03	5020	HEAD LAMP CLEANER	3-G10	5530	SPEEDOMETER CABLE			
3-L03	5030	WINDOW MOULDINGS	3-H10	5540	METER COMPONENTS			
3-M03	5040	BODY MOULDINGS (COUPE)	3-J10	5560	DASHBOARD & RELATED PARTS			
3-E04	5060	SIDE PROTECTORS	3-E11	5570	CONSOLE			
3-I04	5100	HEAD LAMPS	3-H11	5580	VENTILATOR			
3-J04	5103	HEAD LAMP RETRACTORS	3-J11	5700	FRONT SEATS (COUPE)			
3-ND4	5105	FRONT COMBINATION LAMPS	3-E13	5700A	FRONT SEATS (CONVERTIBLE)			
3-G05	5110	REAR COMBINATION LAMPS	3-K13	5750	REAR SEATS (COUPE)			
3-K05	5120	LICENSE LAMPS	3-M13	5790	SEAT BELTS (COUPE)			
3-M05	5125	INTERIOR LAMPS	3-C14	5790A	SEAT BELTS (CONVERTIBLE)			
3-N05	5130	OVERHEAD CONSOLE	3-D14	5800	FRONT DOORS (COUPE)			
3-C06	5170	ORNAMENTS	3-G14	5800A	FRONT DOORS (CONVERTIBLE)			
3-D06	5180	COWL & EXTRACTOR GRILLES	3-K14	5830	FRONT DOOR MECHANISMS (COUPE)			
3-G06	5230	BONNET	3-F15	5830A	FRONT DOOR MECHANISMS (CONVERTIBLE)			
3-J06	5260	TRUNK LID (CONVERTIBLE)	3-J15	5840	FRONT DOOR TRIMS & RELATED PARTS (COUPE)			
3-L06	5310	BODY PANELS (FRONT) (COUPE)	3-H16	5840A	FRONT DOOR TRIMS & RELATED PARTS (CONVERTIBLE)			
3-C07	5310 A	BODY PANELS (FRONT) (CONVERTIBLE)						
3-F07	5320	BODY PANELS (FENDER & WHEEL ARCH)						
3-K07	5330	BODY PANELS (DASH & COWL PANEL)						
3-L07	5340	BODY PANELS (SIDE) (COUPE)						
3-E08	5340A	BODY PANELS (SIDE) (CONVERTIBLE)						
3-K08	5360	BODY PANELS (ROOF) (W/O SUN ROOF)						
3-L08	5360 A	BODY PANELS (ROOF) (SUN ROOF)						
3-M08	5370	BODY PANELS (FLOOR) (COUPE)						
3-D09	5370 A	BODY PANELS (FLOOR) (CONVERTIBLE)						
3-H09	5380	FLOOR ATTACHMENTS (HOLE COVERS)						



(THIS ILLUSTRATION CONSISTS OF 4 PAGES)

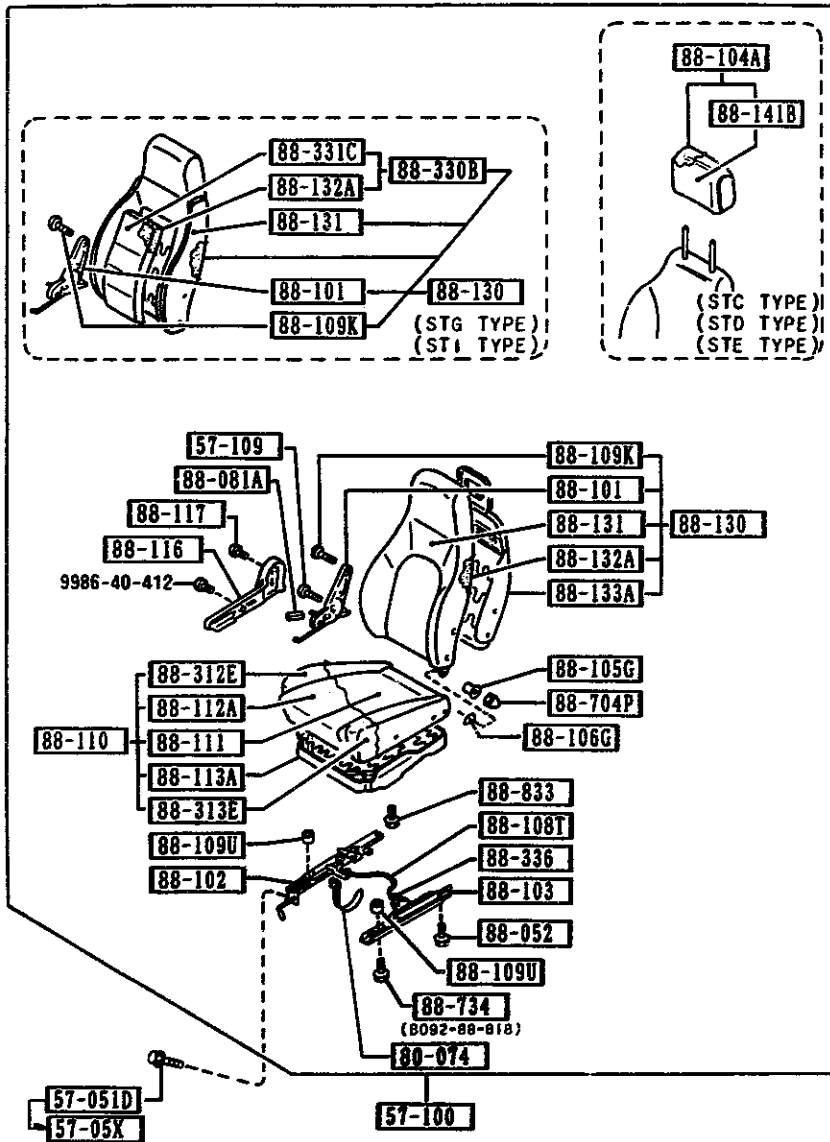


PART NO.	QTY	MODEL/RESTRICTION	MODEL/RESTRICTION	MODEL/RESTRICTION	FROM-TO
CONT'D					
19		FE0 RED			
48		FD9 BLUE			
		88-081B	88-081B		
		KNOB(L), KNUCKLE			
B001-88-091	1				
02		FD8 BLACK			
19		FE0 RED			
48		FD9 BLUE			
		88-101	88-101		
		KNUCKLE(R), RECLINING			
FB01-88-101	1	GTU, 2-SEAT-GXL, 2-S EAT-GXL-OPT, GTUS, T URBO, TURBO-OPT, (STA TYPE) (STC TYPE) (STE TYPE) (STG TYPE) (STI TYPE)			
FC02-88-101	1	4-SEAT-GXL, (STD TYPE)			
		88-102	88-102		
		ADJUSTER, NO.1			
FC01-88-102A	1				
		88-103	88-103		
		ADJUSTER, NO.2			
FC50-88-103	1				
		88-104A	88-104A		
		RESTRAINT, HEAD			
FC03-88-140	2	GXL, (STC TYPE) (STD TYPE)			
02		FD8 BLACK			
19		FE0 RED			
48		FD9 BLUE			
FC70-88-140	2	2-SEAT-GXL-OPT, (STE TYPE)			
02		FD8 BLACK			
48		FD9 BLUE			
		88-105G	88-105G		
		BUSH, HINGE			
FB01-88-107	2				
		88-106G	88-106G		
		WASHER, HINGE			

5700 FRONT SEATS
(COUPE)

(3/4)

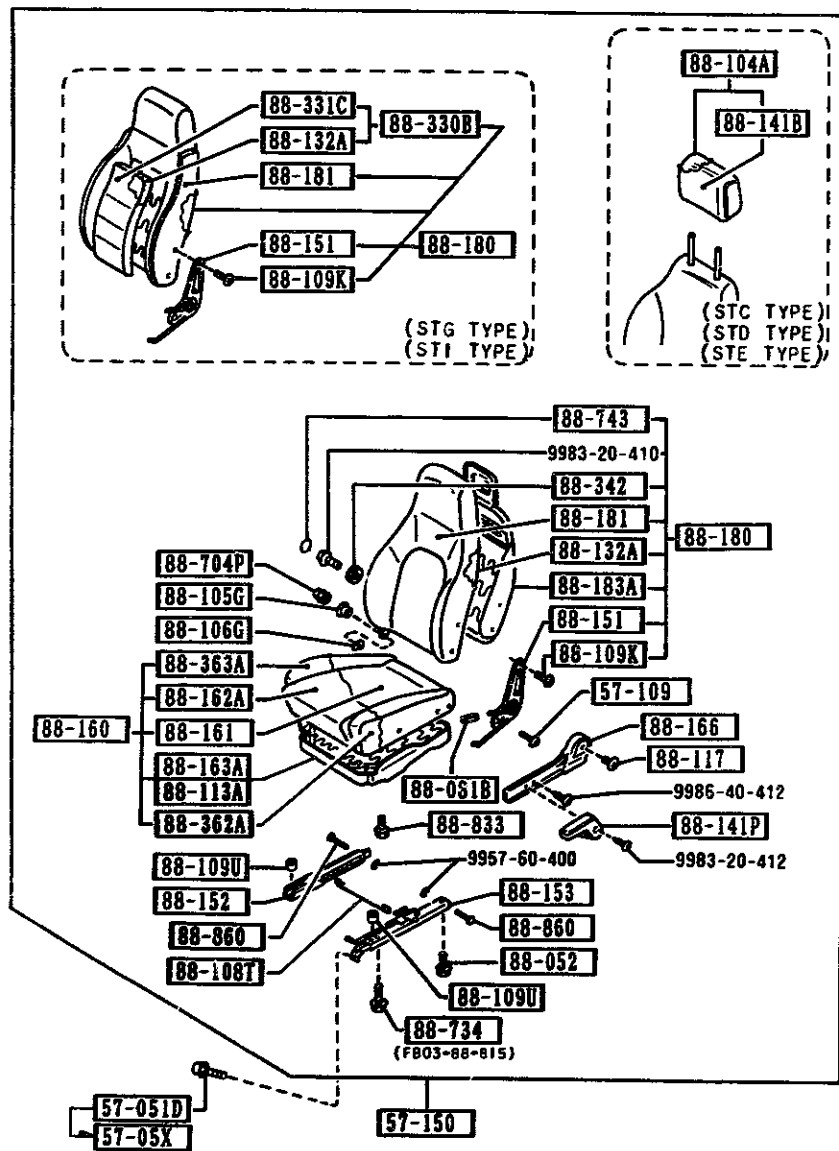
(THIS ILLUSTRATION CONSISTS OF 4 PAGES)



5700 -5 FRONT SEATS
(COUPE)

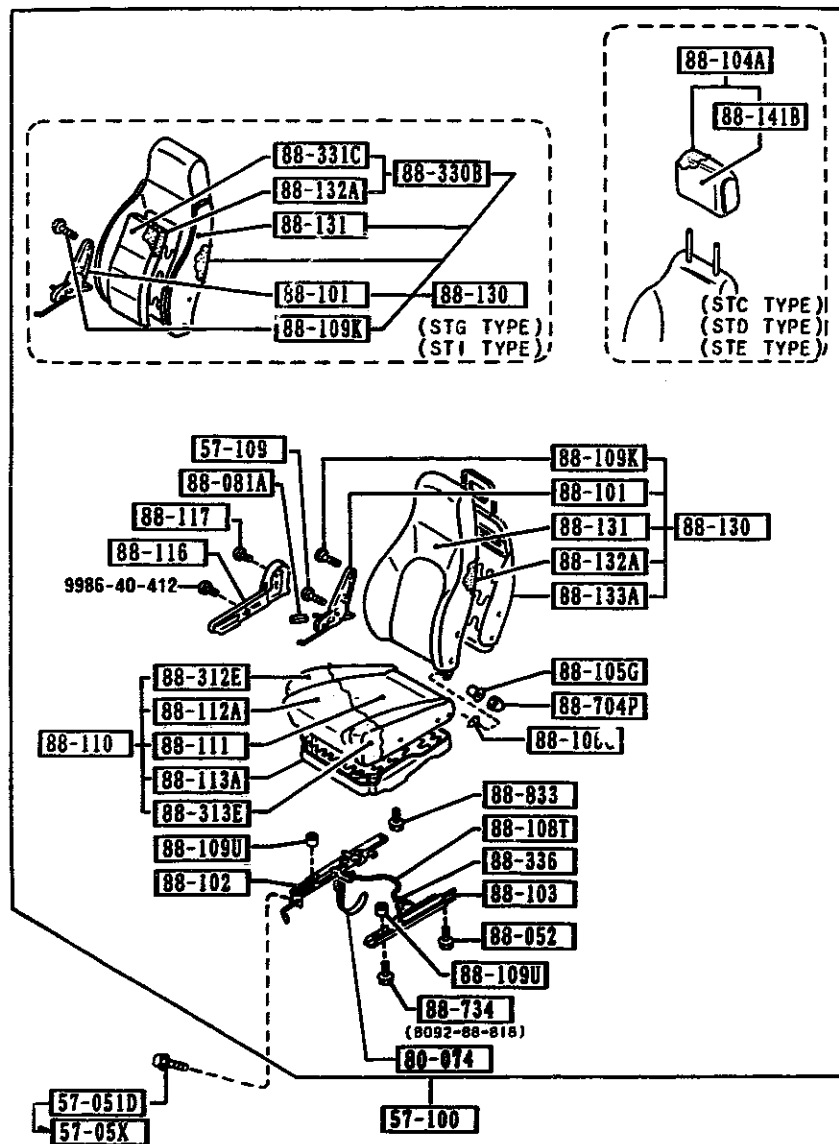
PART NO.	QTY	MODEL/RESTRICTION	MODEL/RESTRICTION	MODEL/RESTRICTION	FROM-TO
CONT'D FB01-88-105	2				
88-108T		WIRE, RELEASE			
F062-88-106	1	(FOR RIGHT)			
H115-88-108	1	(FOR LEFT)			
88-109K		SCREW, KNUCKLE			
B095-88-109	4				
88-109U		SPACER			
FB44-88-109	4	GTUS, TURBO, TURBO-0 PT, (STG TYPE) (STI TYPE)			
88-110		CUSHION(R), FRT SEAT			
FC7-88-110	1	GTUS, TURBO, (STG TYPE)			-9117
02		FD8 BLACK			
48		FD9 BLUE			
FC71-88-110	1	TURBO-OPT, (STI TYPE)			-9117
02		FD8 BLACK			
19		FED RED			
48		FD9 BLUE			
FC11-88-110 A (FC11-88-110A)	1				-9701
02		FD8 BLACK			
19		FED RED			
48		FD9 BLUE			
FC15-88-110 A (FC15-88-110A)	1				-9701
02		FD8 BLACK			
19		FED RED			
48		FD9 BLUE			
FC70-88-110	1	2-SEAT-GXL-OPT, (STE TYPE)			-9701
02		FD8 BLACK			
48		FD9 BLUE			
FCX7-88-110B	1	GTUS, TURBO, (STG TYPE)			9117-
9117 FC3MNN-700199 9701 FC3MNN-700151					

(THIS ILLUSTRATION CONSISTS OF 4 PAGES)



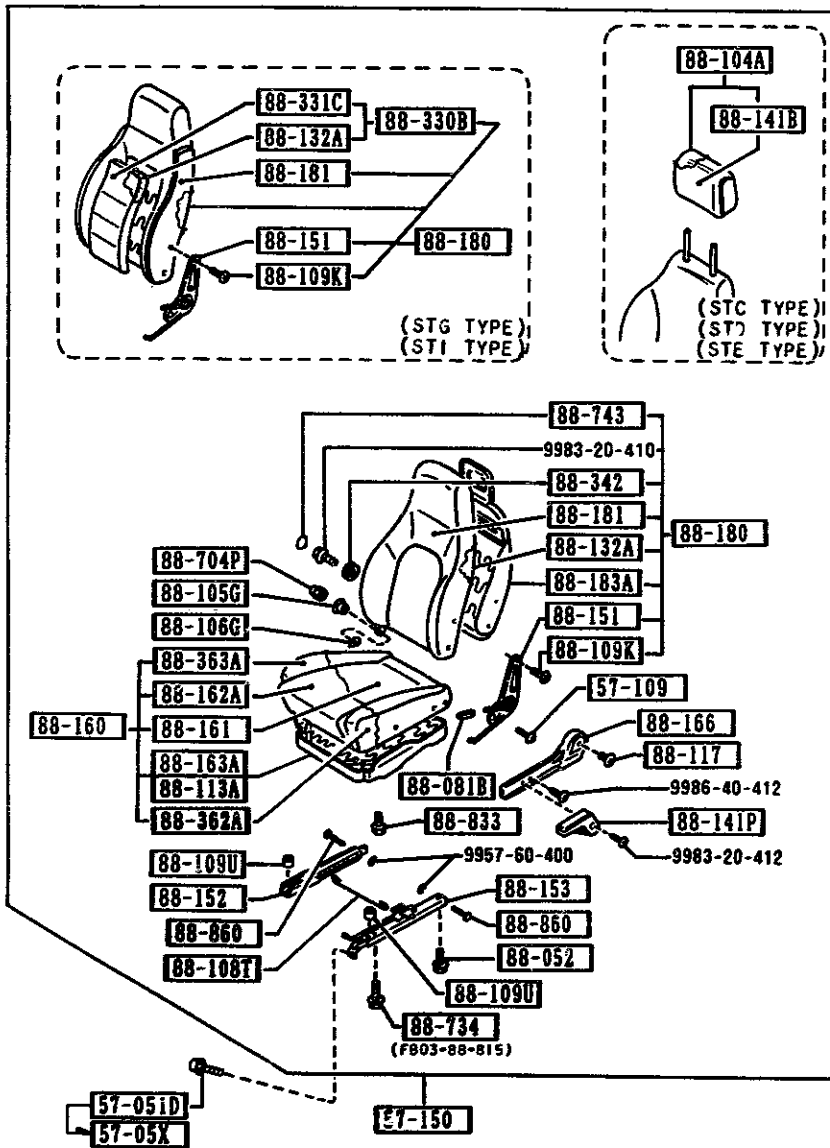
PART NO.	QTY	MODEL/RESTRICTION	MODEL/RESTRICTION	MODEL/RESTRICTION	FROM-TO
CONT'D					
02		FD8 BLACK			
48		FD9 BLUE			
FCY5-88-110	1	TURBO-OPT, (STI TYPE)			9117-
02		FD8 BLACK			
48		FD9 BLUE			
FCY4-88-110A	1	2-SEAT-GXL-OPT, (STE TYPE)			9701-
02		FD8 BLACK			
48		FD9 BLUE			
FC11-88-110A	1	GTU, (STA TYPE)			9701-
02		FD8 BLACK			
19		FEO RED			
48		FD9 BLUE			
FC13-88-110A	1	GXL, (STC TYPE) (STD TYPE)			9701-
02		FD8 BLACK			
19		FEO RED			
48		FD9 BLUE			
		88-111	TRIM(R), SEAT CUSHION		
FB46-88-111	1	TURBO-OPT, (STI TYPE)			
02		FD8 BLACK			
48		FD9 BLUE			
FC07-88-111	1	GTUS, TURBO, (STG TYPE)			
02		FD8 BLACK			
48		FD9 BLUE			
FC70-88-111A	1	2-SEAT-GXL-OPT, (STE TYPE)			
02		FD8 BLACK			
48		FD9 BLUE			
FC01-88-111 A (FC01-88-111A)	1				-9701
02		FD8 BLACK			
19		FEO RED			
9117 FC3MNH-700199 9701 FC3MNH-709151					

(THIS ILLUSTRATION CONSISTS OF 4 PAGES)



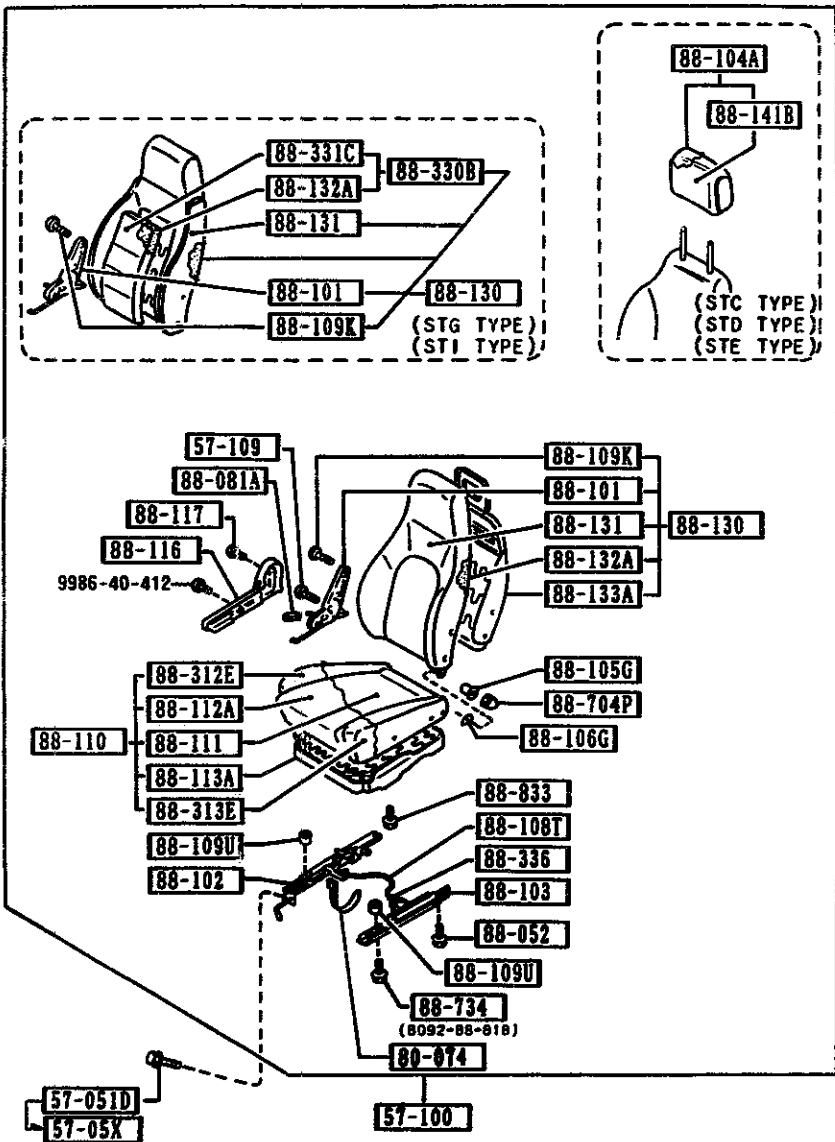
PART NO.	QTY	MODEL/RESTRICTION	MODEL/RESTRICTION	MODEL/RESTRICTION	FROM-TO
CONT'D					
48		FD9 BLUE			
FC03-88-111 A (FC03-88-111A)	1				-9701
02		FD8 BLACK			
19		FEO RED			
48		FD9 BLUE			
FC01-88-111A	1	GTU, (STA TYPE)			9701-
02		FD8 BLACK			
19		FEO RED			
48		FD9 BLUE			
FC03-88-111A	1	GXL, (STC TYPE) (STD TYPE)			9701-
02		FD8 BLACK			
19		FEO RED			
48		FD9 BLUE			
		88-112A	PAD(R), CUSHION-FRT		
FB44-88-112	1	TURBO-OPT, GTUS, TURBO, (STI TYPE) (STG TYPE)			
FC01-88-112	1	GTU, (STA TYPE)			
FC03-88-112	1	2-SEAT-GXL-OPT, GXL, (STE TYPE) (STC TYPE) (STD TYPE)			
		88-113A	FRAME(R), CUSHION-FRT		
FB44-88-113	1	GTUS, TURBO, TURBO-OPT, (STG TYPE) (STI TYPE)			
FC11-88-113 A (FC11-88-113A)	2				-9701
FC13-88-113 A (FC13-88-113A)	1				-9701
FC11-88-113A	2	GTU, (STA TYPE)			9701-
FC13-88-113A	1	GXL, 2-SEAT-GXL-OPT, (STC TYPE) (STD TYPE) (STE TYPE)			9701-
9701 FC3XXX-709151					

(THIS ILLUSTRATION CONSISTS OF 4 PAGES)



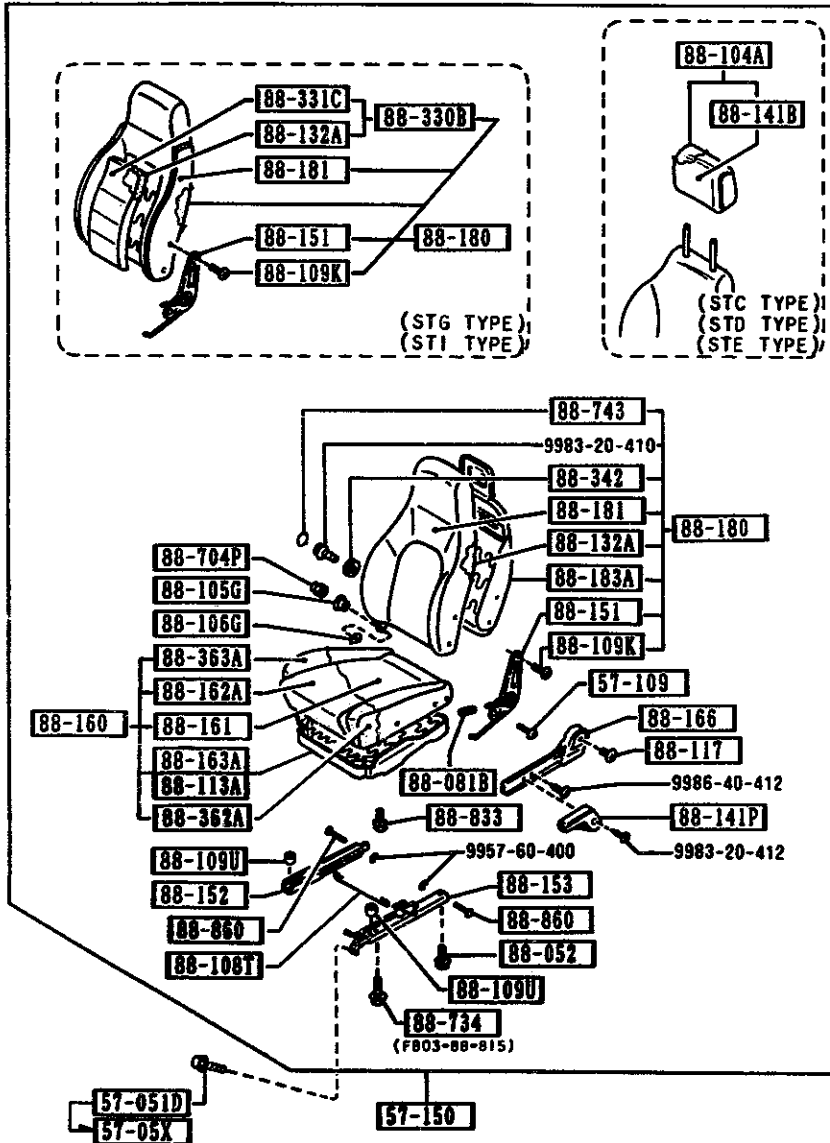
PART NO.	QTY	MODEL/RESTRICTION	MODEL/RESTRICTION	MODEL/RESTRICTION	FROM-TO
88-116		COVER(R), KNUCKLE			
FC01-88-127	1	GTUS, TURBO, (STG TYPE)			
02		FD8 FE1 BLACK			
19		FE0 RED			
48		FD9 BLUE			
FC11-88-127A	1	TURBO-OPT, GTU, 2-SE AT-GXL-OPT, GXL, (STI TYPE) (STA TYPE) (STE TYPE) (STC TYPE) (STD TYPE)			
02		FD8 FE1 BLACK			
19		FE0 RED			
48		FD9 BLUE			
88-117		SCREW, KNUCKLE			
1243-88-117	2				
88-130		BACK(R), FRONT SEAT			
FC01-88-130	1	GTU, (STA TYPE)			
02		FD8 BLACK			
19		FE0 RED			
48		FD9 BLUE			
FC03-88-130	1	2-SEAT-GXL, (STC TYPE)			
02		FD8 BLACK			
19		FE0 RED			
48		FD9 BLUE			
FC04-88-130	1	4-SEAT-GXL, (STD TYPE)			
02		FD8 BLACK			
19		FE0 RED			
48		FD9 BLUE			
FC07-88-130	1	GTUS, TURBO, (STG TYPE)			
02		FD8 BLACK			
48		FD9 BLUE			
FC70-88-130	1	2-SEAT-GXL-OPT.			

(THIS ILLUSTRATION CONSISTS OF 4 PAGES)



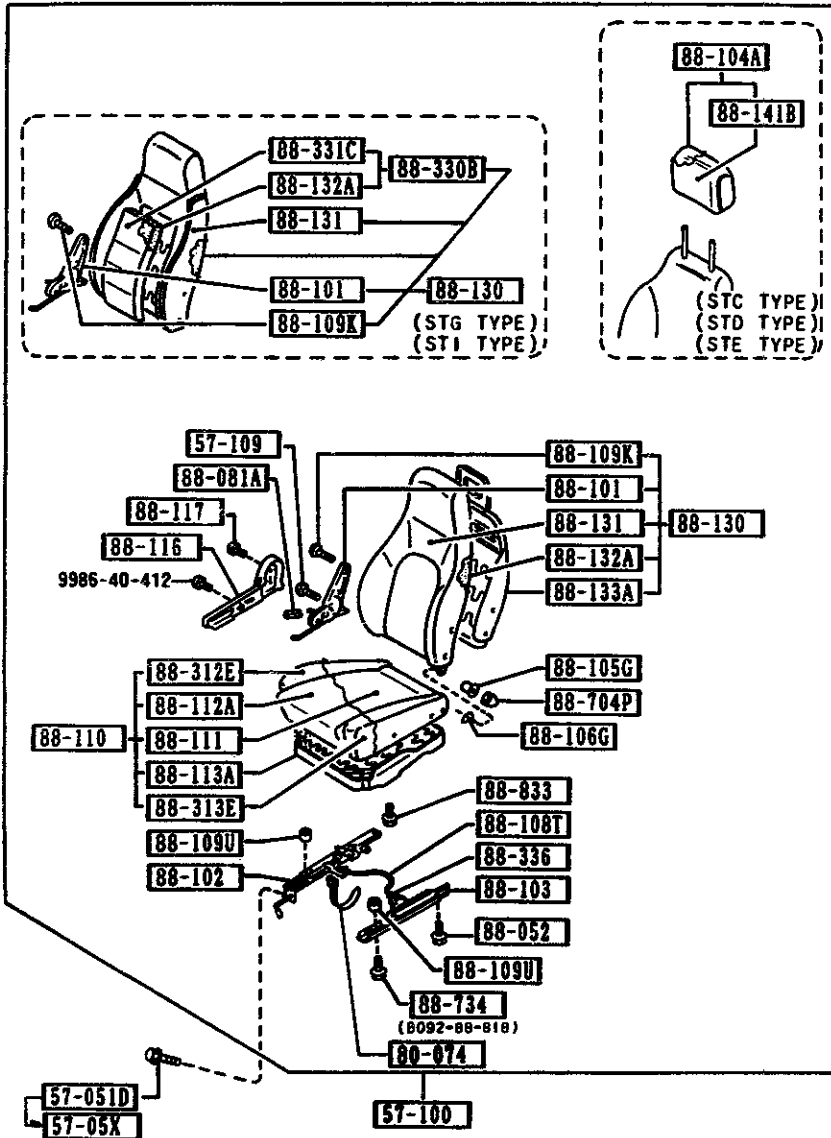
PART NO.	QTY	MODEL/RESTRICTION	MODEL/RESTRICTION	MODEL/RESTRICTION	FROM-TO
CONT'D					
02		(STE TYPE)			
48		FD8 BLACK			
FC71-88-130	1	TURBO-OPT, (STI TYPE)			
02		FD8 BLACK			
48		FD9 BLUE			
		88-131	TRIM(R), SEAT BACK		
FB46-88-131	1	TURBO-OPT, (STI TYPE)			
02		FD8 BLACK			
48		FD9 BLUE			
FC01-88-131	1	GTU, (STA TYPE)			
02		FD8 BLACK			
19		FE0 RED			
48		FD9 BLUE			
FC03-88-131	1	GXL, (STC TYPE) (STD TYPE)			
02		FD8 BLACK			
19		FE0 RED			
48		FD9 BLUE			
FC07-88-131	1	GTUS, TURBO, (STG TYPE)			
02		FD8 BLACK			
48		FD9 BLUE			
FC70-88-131	1	2-SEAT-GXL-OPT, (STE TYPE)			
02		FD8 BLACK			
48		FD9 BLUE			
		88-132A	PAD(R), BACK-FRT		
FB44-88-132	2	GTUS, TURBO, (STG TYPE)			
FC01-88-132	2	GTU, (STA TYPE)			
FC03-88-132	2	2-SEAT-GXL-OPT, GXL, (STE TYPE) (STC TYPE)			

(THIS ILLUSTRATION CONSISTS OF 4 PAGES)



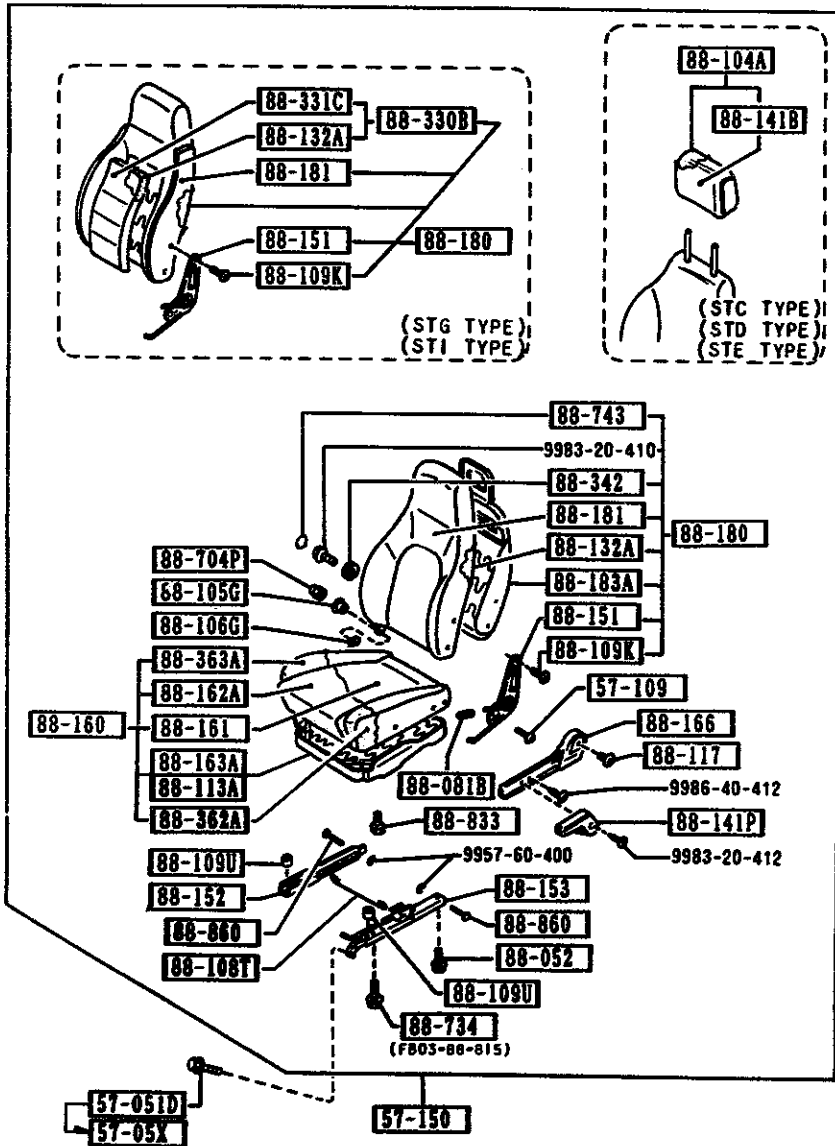
PART NO.	QTY	MODEL/RESTRICTION	MODEL/RESTRICTION	MODEL/RESTRICTION	FROM-TO
CONT'D		(STD TYPE)			
88-133A		FRAME(R), BACK-FRT			
FC01-88-133	1	GTU, (STA TYPE)			
FC03-88-133	1	GXL, 2-SEAT-GXL-OPT, (STC TYPE) (STD TYPE) (STE TYPE)			
88-141B		TRIM, HEAD REST-FRT			
FC03-88-141	2	GXL, (STC TYPE) (STD TYPE)			
02		FD8 BLACK			
19		FE0 RED			
48		FD9 BLUE			
FC70-88-141	2	2-SEAT-GXL-OPT, (STE TYPE)			
02		FD8 BLACK			
48		FD9 BLUE			
88-141P		LEVER, LIFTER			
FA58-88-831	1	GXL, 2-SEAT-GXL-OPT, (STC TYPE) (STD TYPE) (STE TYPE)			
02		FD8 FE1 BLACK			
19		FE0 RED			
48		FD9 BLUE			
88-151		KNUCKLE(L), RECLINING			
F801-88-151	1				
88-152		ADJUSTER NO.3			
FC01-88-152	1	GTU, GTUS, TURBO, TU R80-OPT, (STA TYPE) (STG TYPE) (STI TYPE)			
FC03-88-152	1	GXL, 2-SEAT-GXL-OPT, (STC TYPE) (STD TYPE) (STE TYPE)			
88-153		ADJUSTER NO.4			

(THIS ILLUSTRATION CONSISTS OF 4 PAGES)



PART NO.	QTY	MODEL/RESTRICTION	MODEL/RESTRICTION	MODEL/RESTRICTION	FROM-TO
CONT'D					
FC01-88-153	1	GTU, GTUS, TURBO, TU R80-OPT, (STA TYPE) (STG TYPE) (STI TYPE)			
FC03-88-153	1	GXL, 2-SEAT-CXL-OPT, (STC TYPE) (STD TYPE) (STE TYPE)			
		88-160	CUSHION(L), FRT SEAT		
FCX7-88-160A	1	GTUS, TURBO, (STG TYPE)			
02		FD8 BLACK			
48		FD9 BLUE			
FCY5-88-160	1	TURBO-OPT, (STI TYPE)			
02		FD8 BLACK			
48		FD9 BLUE			
FC70-88-160	1	2-SEAT-GXL-OPT, (STE TYPE)			
02		FD8 BLACK			
48		FD9 BLUE			
FC11-88-160 A (FC11-88-160A)	1				-9701
02		FD8 BLACK			
19		FEO RED			
48		FD9 BLUE			
FC13-88-160 A (FC13-88-160A)	1				-9701
02		FD8 BLACK			
19		FEO RED			
48		FD9 BLUE			
FC11-88-160A	1	GTU, (STA TYPE)			9701-
02		FD8 BLACK			
19		FEO RED			
48		FD9 BLUE			
FC13-88-160A	1	GXL, (STC TYPE) (STD TYPE)			9701-
02		FD8 BLACK			
9701 FC3MNN-709151					

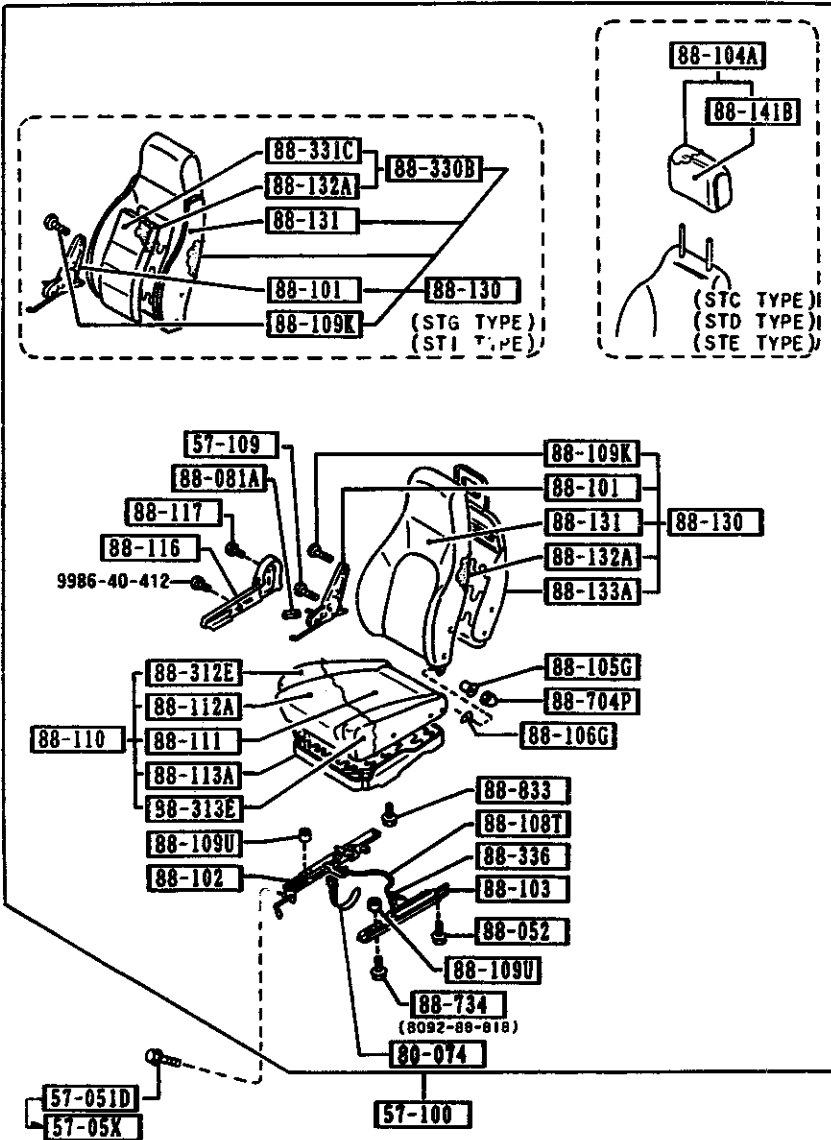
(THIS ILLUSTRATION CONSISTS OF 4 PAGES)



PART NO.	QTY	MODEL/RESTRICTION	MODEL/RESTRICTION	MODEL/RESTRICTION	FROM-TO
CONT'D					
19		FEO RED			
48		FD9 BLUE			
88-161		TRIM(L), SEAT CUSHION			
FB46-88-161	1	TURBO-OPT, (STI TYPE)			
02		FD8 BLACK			
48		FD9 BLUE			
FC07-88-161	1	GTUS, TURBO, (STG TYPE)			
02		FD8 BLACK			
48		FD9 BLUE			
FC70-88-161A	1	2-SEAT-GXL-OPT, (STE TYPE)			
02		FD8 BLACK			
48		FD9 BLUE			
FC01-88-161 A (FC01-88-161A)	1				-9701
02		FD8 BLACK			
19		FEO RED			
48		FD9 BLUE			
FC03-88-161 A (FC03-88-161A)	1				-9701
02		FD8 BLACK			
19		FEO RED			
48		FD9 BLUE			
FC01-88-161A	1	GTU, (STA TYPE)			9701-
02		FD8 BLACK			
19		FEO RED			
48		FD9 BLUE			
FC03-88-161A	1	GXL, (STC TYPE) (STD TYPE)			9701-
02		FD8 BLACK			
19		FEO RED			
48		FD9 BLUE			
88-162A		PAD(L), CUSHION-FRT			
9701 FC3MXX-709151					

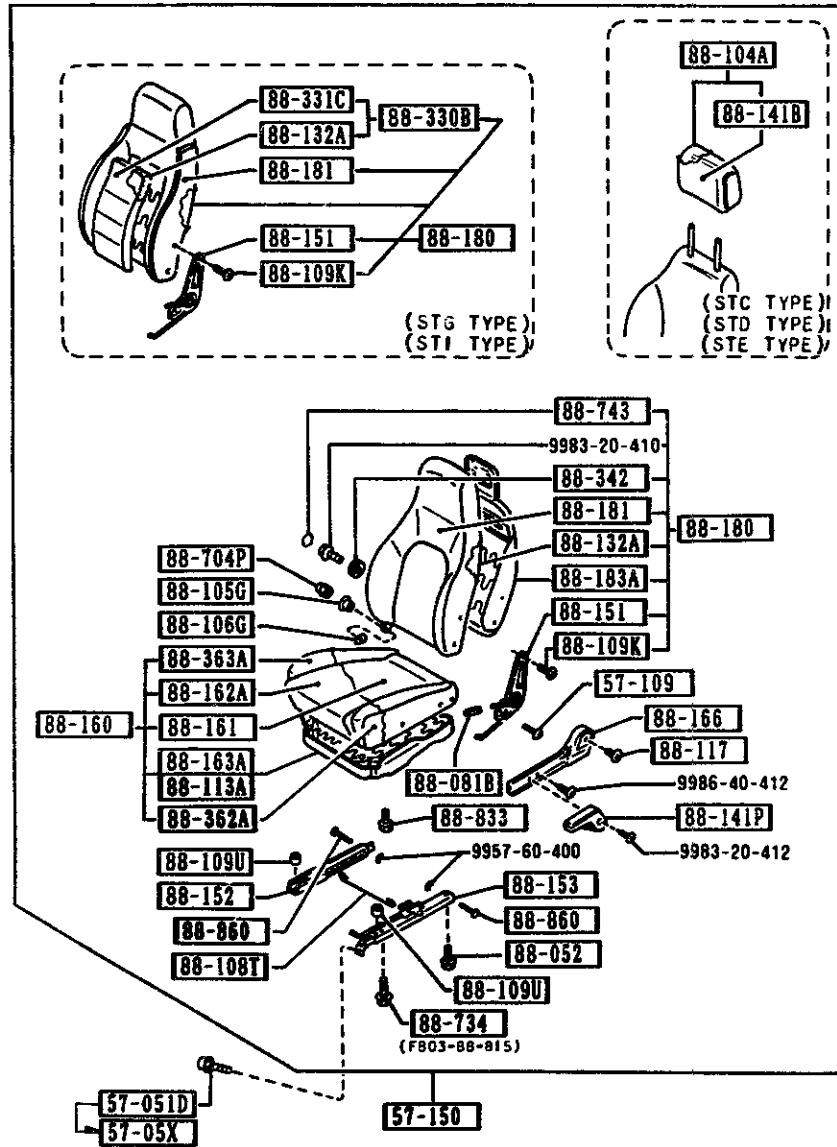
3-K12

(THIS ILLUSTRATION CONSISTS OF 4 PAGES)



PART NO.	QTY	MODEL/RESTRICTION	MODEL/RESTRICTION	MODEL/RESTRICTION	FROM-TO
CONT'D					
FB44-88-162	1	TURBO-OPT, (STI TYPE)			
FC01-88-162	1	GTU, (STA TYPE)			
FC03-88-162	1	GXL, 2-SEAT-GXL-OPT, (STC TYPE) (STD TYPE) (STE TYPE)			
88-163A		FRAME(L),CUSHION-FRT			
FC07-88-163	1	GTUS, TURBO, TURBO-O PT, (STG TYPE) (STI TYPE)			
FC13-88-163 A (FC13-88-163A)	1				-9701
FC13-88-163A	1	GXL, 2-SEAT-GXL-OPT, (STC TYPE) (STD TYPE) (STE TYPE)			9701-
88-166		COVER(L),KNUCKLE			
FC11-88-177A	1	GTU, GTUS, TURBO, TU RBO-OPT, (STA TYPE) (STG TYPE) (STI TYPE)			
02		FD8 FE1 BLACK			
19		FE0 RED			
48		FD9 BLUE			
FC13-88-177	1	GXL, 2-SEAT-GXL-OPT, (STC TYPE) (STD TYPE) (STE TYPE)			
02		FD8 FE1 BLACK			
19		FE0 RED			
48		FD9 BLUE			
88-180		BACK(L),FRONT SEAT			
FB46-88-180	1	TURBO-OPT, (STI TYPE)			
02		FD8 BLACK			
48		FD9 BLUE			
FC01-88-180	1	GTU, (STA TYPE)			
02		FD8 BLACK			
9701 FC3MM-709151					

(THIS ILLUSTRATION CONSISTS OF 4 PAGES)

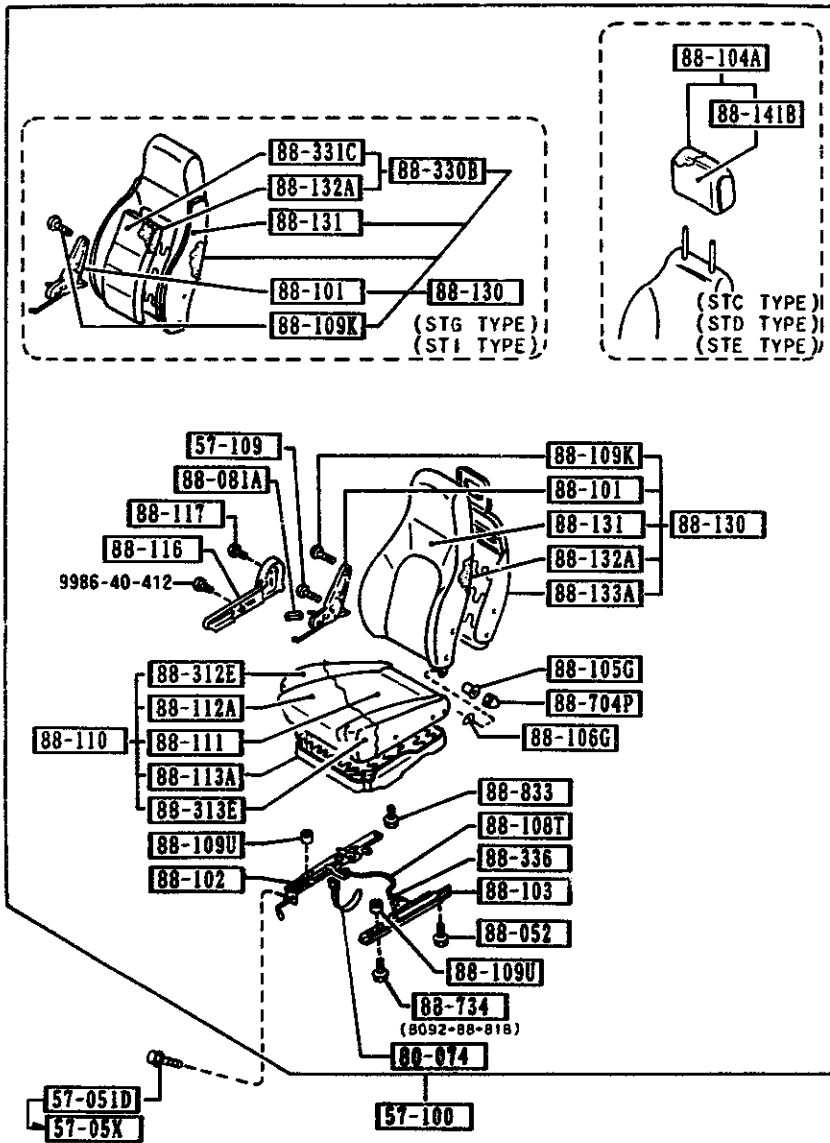


PART NO.	QTY	MODEL/RESTRICTION	MODEL/RESTRICTION	MODEL/RESTRICTION	FROM-TO
CONT'D					
19		F00 RED			
48		FD9 BLUE			
FC03-88-180	1	GXL, (STC TYPE) (STD TYPE)			
02		F08 BLACK			
19		F00 RED			
48		FD9 BLUE			
FC07-88-180	1	GTUS, TURBO, (STG TYPE)			
02		F08 BLACK			
48		FD9 BLUE			
FC70-88-180	1	2-SEAT-GXL-OPT, (STE TYPE)			
02		F08 BLACK			
48		FD9 BLUE			
		88-181	TRIM(L), SEAT BACK		
FB46-88-181	1	TURBO-OPT, (STI TYPE)			
02		F08 BLACK			
48		FD9 BLUE			
FC01-88-181	1	GTU, (STA TYPE)			
02		F08 BLACK			
19		F00 RED			
48		FD9 BLUE			
FC03-88-181	1	GXL, (STC TYPE) (STD TYPE)			
02		F08 BLACK			
19		F00 RED			
48		FD9 BLUE			
FC07-88-181	1	GTUS, TURBO, (STG TYPE)			
02		F08 BLACK			
48		FD9 BLUE			
FC70-88-181	1	2-SEAT-GXL-OPT, (STE TYPE)			
02		F08 BLACK			

5700 FRONT SEATS
(COUPE)

(3/4)

(THIS ILLUSTRATION CONSISTS OF 4 PAGES)



5700 -15 FRONT SEATS
(COUPE)

PART NO.	QTY	MODEL/RESTRICTION	MODEL/RESTRICTION	MODEL/RESTRICTION	FROM-TO
CONT'D					
48		FD9 BLUE			
88-183A		FRAME(L),BACK-FRT			
FC01-88-183	1	GTU, (STA TYPE)			
FC03-88-183	1	2-SEAT-GXL-OPT, GXL, (STE TYPE) (STC TYPE) (STD TYPE)			
88-312E		PAD,SIDE-FRT CUSHION			
FC01-88-312	1	GTU, (STA TYPE)			
88-313E		PAD,SIDE-FRT CUSHION			
FC01-88-313 A (FC01-88-313A)	1				-9701
FC01-88-313A	1	GTU, (STA TYPE)			9701-
88-330B		BACK(C),FRT SEAT			
FB46-88-330	2	TURBO-OPT, (STI TYPE)			
02		FD8 BLACK			
48		FD9 BLUE			
FC07-88-330	2	GTUS, TURBO, (STG TYPE)			
02		FD8 BLACK			
48		FD9 BLUE			
88-331C		TRIM(C),FRT BACK			
FC07-88-331	2	GTUS, TURBO, (STG TYPE)			
02		FD8 BLACK			
48		FD9 BLUE			
88-336		RING,STOPPER			
FA58-88-336	1				
88-342		DIAL,LUMBER SUPPORT			
FB03-88-385	1	2-SEAT-GXL-OPT, GXL, (STE TYPE) (STD TYPE) (STC TYPE)			
9701 FC3MNN-709151					

AUFA02

(CONT'D)

CAT. AUFA02-06

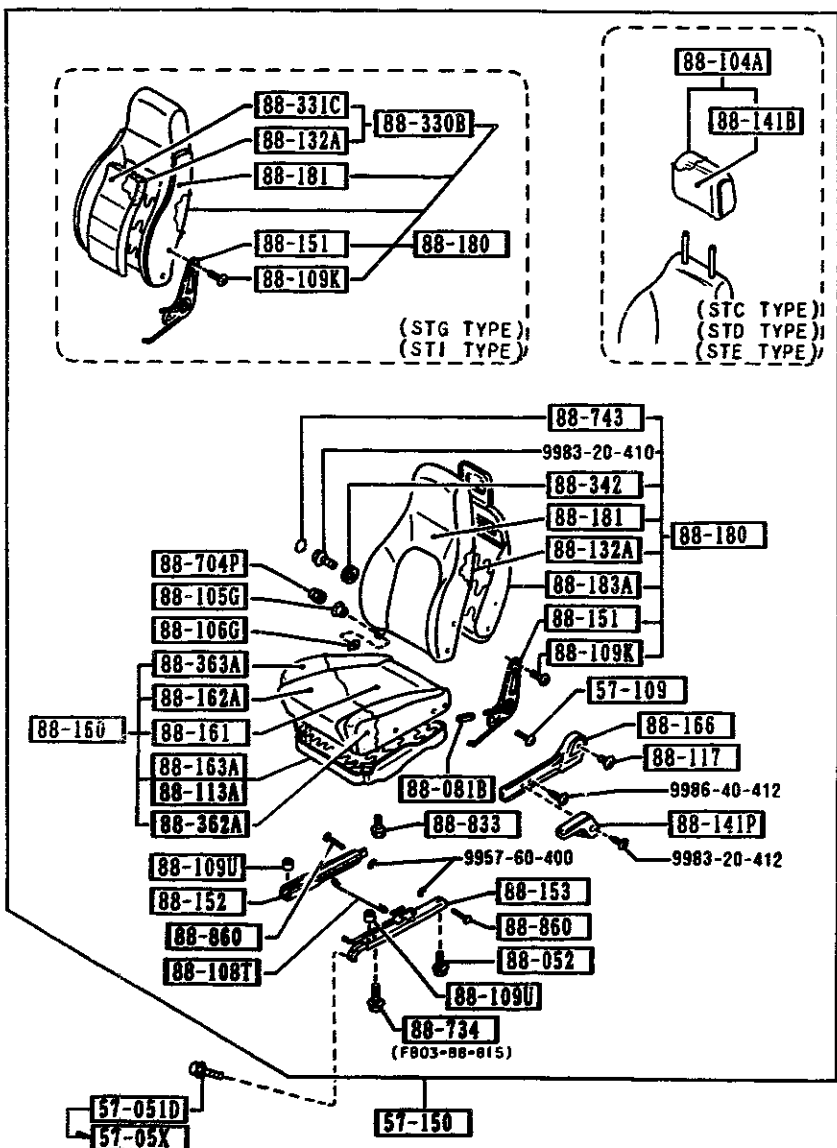
1992-05

3-N12

SECTION NAME INDEX (BODY),1/2

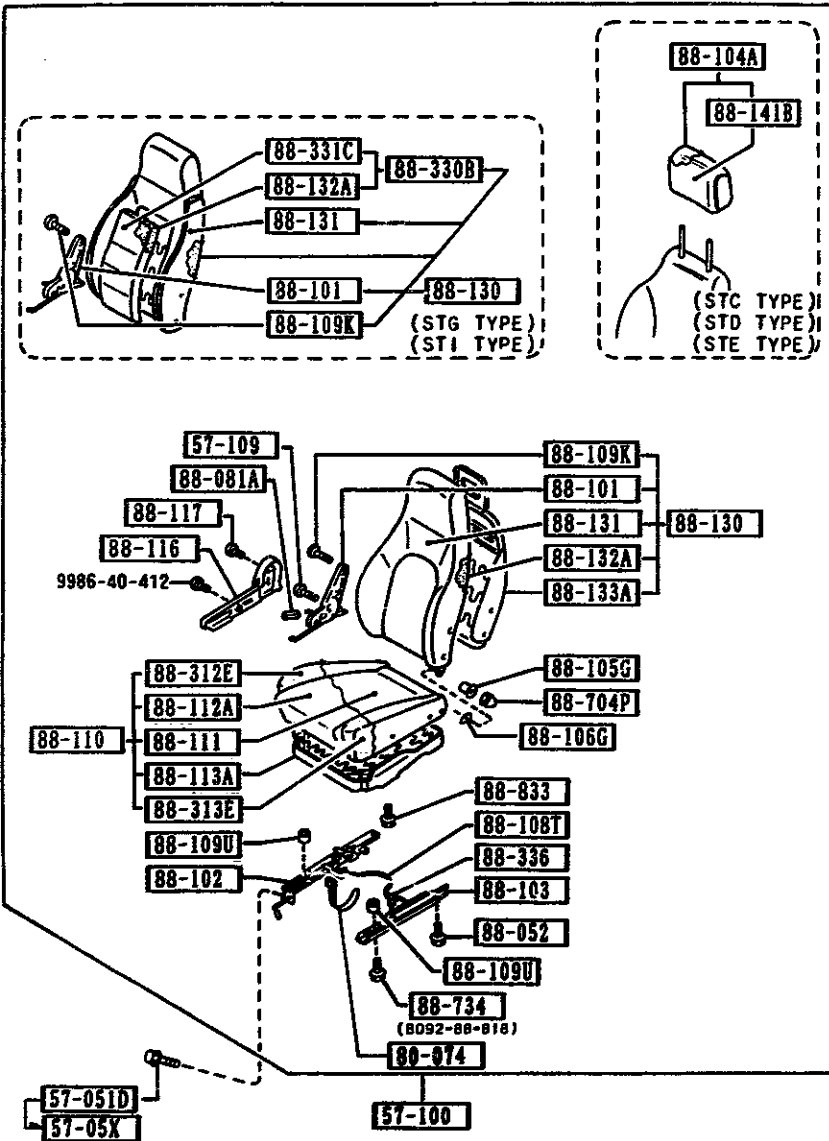
LD.NO	SEC.NO	SECTION NAME	LD.NO	SEC.NO	SECTION NAME	LD.NO	SEC.NO	SECTION NAME
3-C03	0900	KEY SETS	3-J09	5390	FLOOR ATTACHMENTS			
3-F03	5000	FRONT BUMPER	3-C10	5500	DASHBOARD EQUIPMENTS			
3-H03	5010	REAR BUMPER	3-F10	5520	METER HOOD			
3-J03	5020	HEAD LAMP CLEANER	3-G10	5530	SPEEDOMETER CABLE			
3-L03	5030	WINDOW MOULDINGS	3-H10	5540	METER COMPONENTS			
3-M03	5040	BODY MOULDINGS (COUPE)	3-J10	5560	DASHBOARD & RELATED PARTS			
3-E04	5060	SIDE PROTECTORS	3-E11	5570	CONSOLE			
3-I04	5100	HEAD LAMPS	3-H11	5580	VENTILATOR			
3-J04	5103	HEAD LAMP RETRACTORS	3-J11	5700	FRONT SEATS (COUPE)			
3-N04	5105	FRONT COMBINATION LAMPS	3-E13	5700A	FRONT SEATS (CONVERTIBLE)			
3-G05	5110	REAR COMBINATION LAMPS	3-K13	5750	REAR SEATS (COUPE)			
3-K05	5120	LICENSE LAMPS	3-M13	5790	SEAT BELTS (COUPE)			
3-M05	5125	INTERIOR LAMPS	3-C14	5790A	SEAT BELTS (CONVERTIBLE)			
3-N05	5130	OVERHEAD CONSOLE	3-D14	5800	FRONT DOORS (COUPE)			
3-C06	5170	ORNAMENTS	3-G14	5800A	FRONT DOORS (CONVERTIBLE)			
3-DD6	5180	COWL & EXTRACTOR GRILLES	3-K14	5830	FRONT DOOR MECHANISMS (COUPE)			
3-G06	5230	BONNET	3-F15	5830A	FRONT DOOR MECHANISMS (CONVERTIBLE)			
3-J06	5260	TRUNK LID (CONVERTIBLE)	3-J15	5840	FRONT DOOR TRIMS & RELATED PARTS (COUPE)			
3-L06	5310	BODY PANELS (FRONT) (COUPE)	3-H16	5840A	FRONT DOOR TRIMS & RELATED PARTS (CONVERTIBLE)			
3-C07	5310 A	BODY PANELS (FRONT) (CONVERTIBLE)						
3-F07	5320	BODY PANELS (FENDER & WHEEL ARCH)						
3-K07	5330	BODY PANELS (DASH & COWL PANEL)						
3-L07	5340	BODY PANELS (SIDE) (COUPE)						
3-E08	5340A	BODY PANELS (SIDE) (CONVERTIBLE)						
3-K08	5360	BODY PANELS (ROOF) (W/O SUN ROOF)						
3-L08	5360 A	BODY PANELS (ROOF) (SUN ROOF)						
3-M08	5370	BODY PANELS (FLOOR) (COUPE)						
3-D09	5370 A	BODY PANELS (FLOOR) (CONVERTIBLE)						
3-H09	5380	FLOOR ATTACHMENTS (HOLE COVERS)						

(THIS ILLUSTRATION CONSISTS OF 4 PAGES)



PART NO.	QTY	MODEL/RESTRICTION	MODEL/RESTRICTION	MODEL/RESTRICTION	FROM-TO
CONT'D					
02		F08 BLACK			
19		F09 RED			
48		F09 BLUE			
88-362A		PAD, SIDE-FRT CUSHION			
FC01-88-362	1	GTU, (STA TYPE)			-9701
FC03-88-362 A (FC03-88-362A)	1				
FC03-88-362A	1	GXL, 2-SEAT-GXL-OPT, (STC TYPE) (STD TYPE) (STE TYPE)			9701-
88-363A		PAD, SIDE-FRT CUSHION			
FC01-88-363 A (FC01-88-363A)	1				-9701
FC03-88-363 A (FC03-88-363A)	1				-9701
FC01-88-363A	1	GTU, (STA TYPE)			9701-
FC03-88-363A	1	GXL, 2-SEAT-GXL-OPT, (STC TYPE) (STD TYPE) (STE TYPE)			9701-
88-704P		NUT			
B092-88-519	2				
88-734		BOLT			
F803-88-815	2	GXL, 2-SEAT-GXL-OPT, (FOR LEFT) (STC TYPE) (STD TYPE) (STE TYPE)			
B092-88-818	2	2-SEAT-GXL-OPT, GXL, (FOR RIGHT) (STE TYPE) (STC TYPE) (STD TYPE)			
88-743		COVER, DIAL			
F803-88-386	1	GXL, 2-SEAT-GXL-OPT, (STC TYPE) (STD TYPE)			
9701 FC3***-709151					

(THIS ILLUSTRATION CONSISTS OF 4 PAGES)

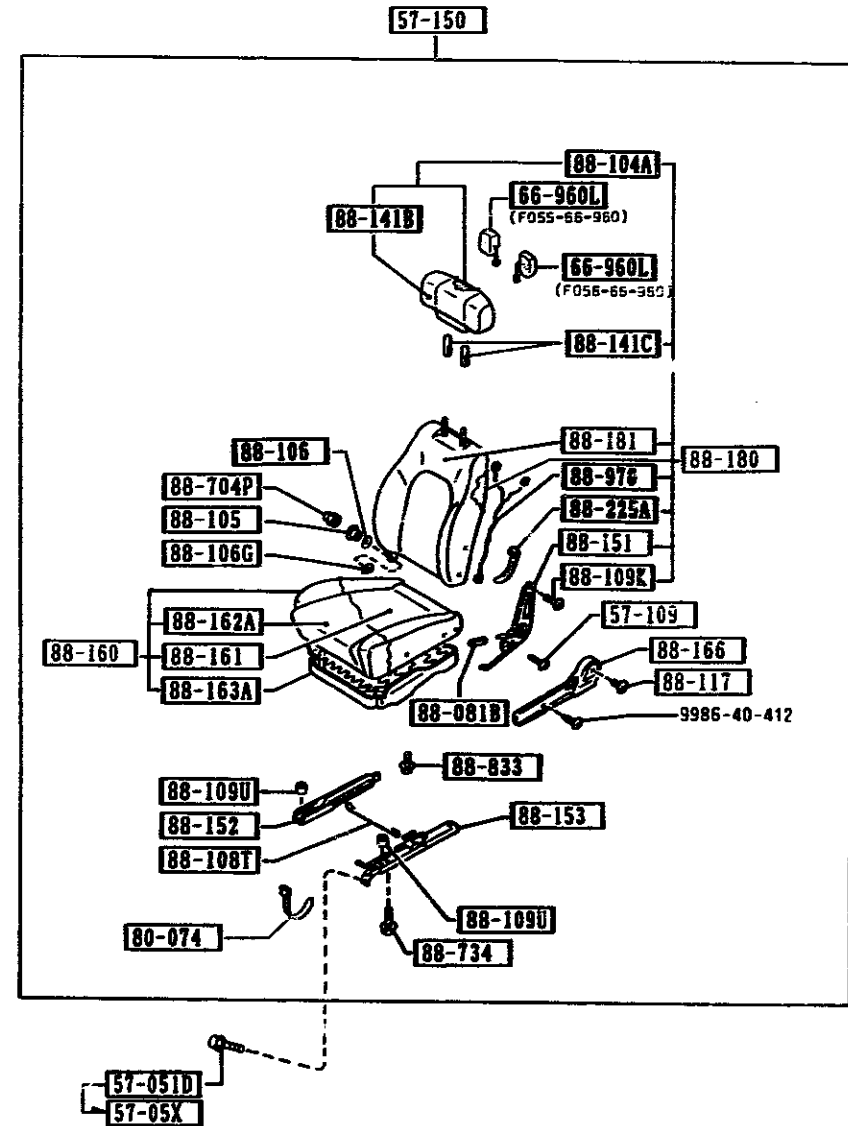
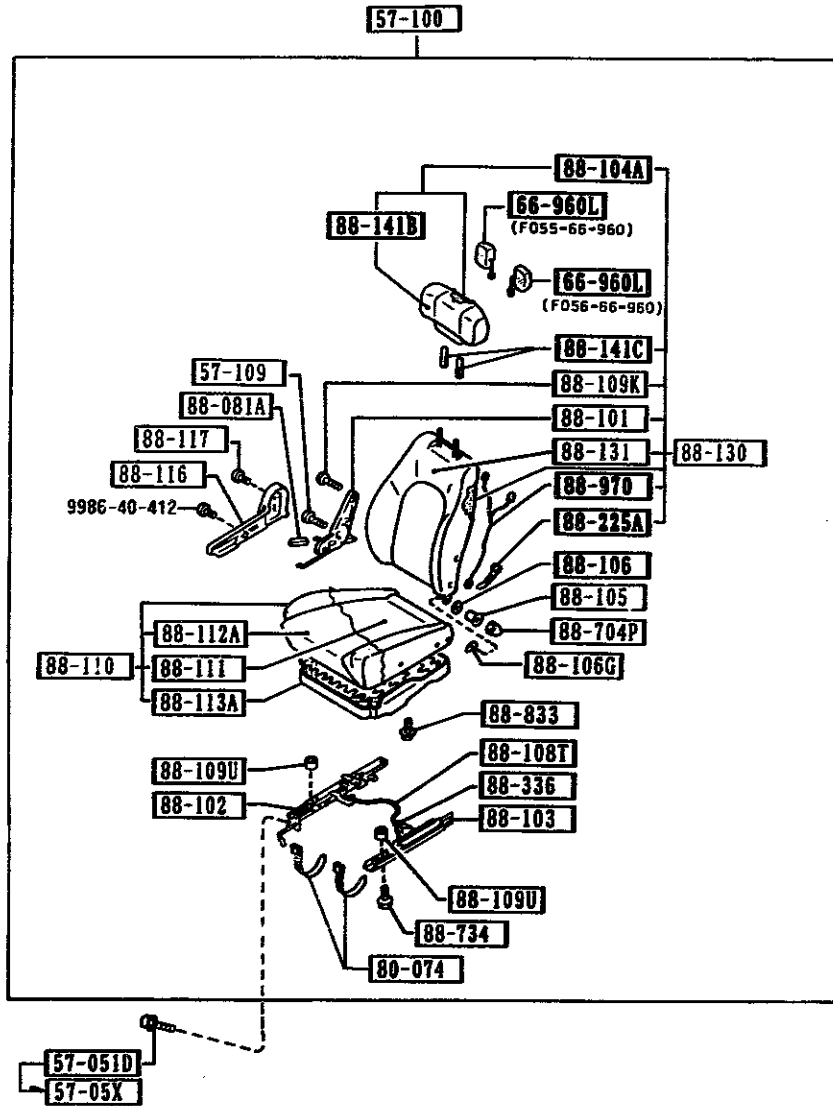


PART NO.	QTY	MODEL/RESTRICTION	MODEL/RESTRICTION	MODEL/RESTRICTION	FROM-TO
CONT'D		(STE TYPE)			
02		F08 BLACK			
48		FD9 BLUE			
		88-833			
F044-88-833	4	BOLT, ADJUSTER-FRT SEAT GTUS, TURBO, TURBO-DPT, (STG TYPE) (STI TYPE)			
		88-860			
BA49-88-860	2	PIN, JOINT GXL, 2-SEAT-GXL-OPT, (STC TYPE) (STD TYPE) (STE TYPE)			

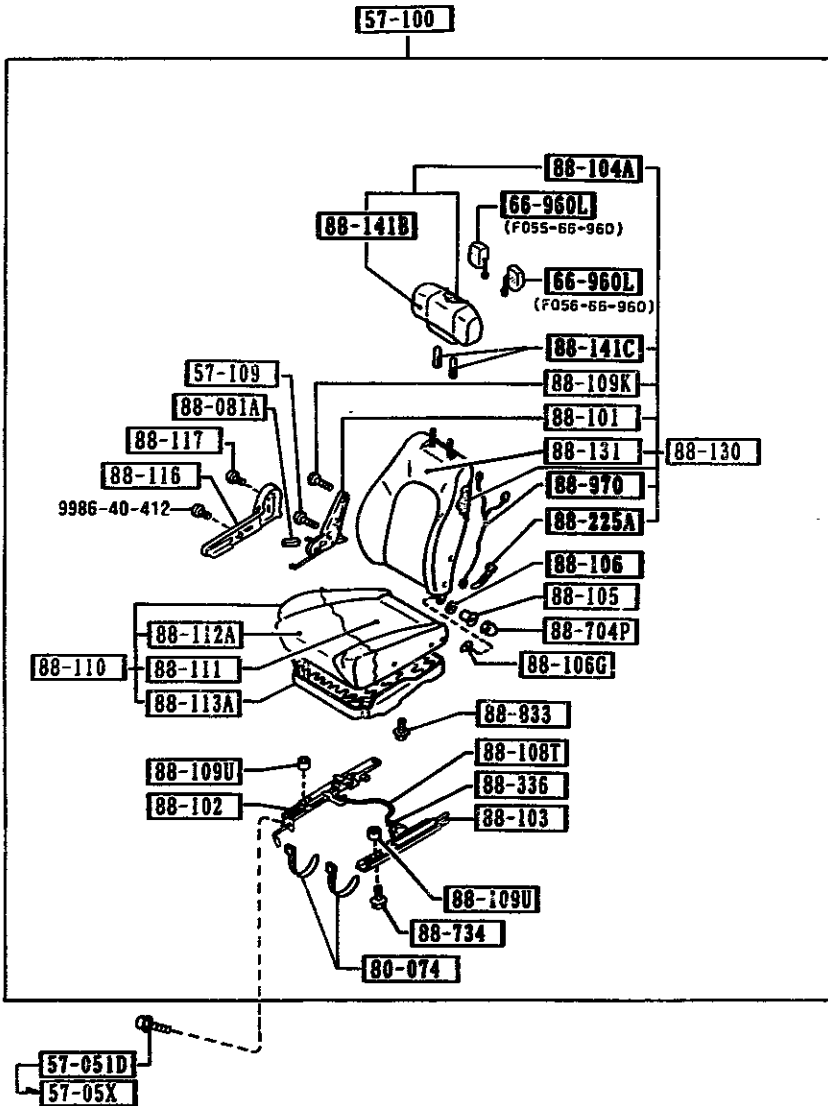
58-010
58-010Z

58-22
9078-32-82

58-495
9078-32-825

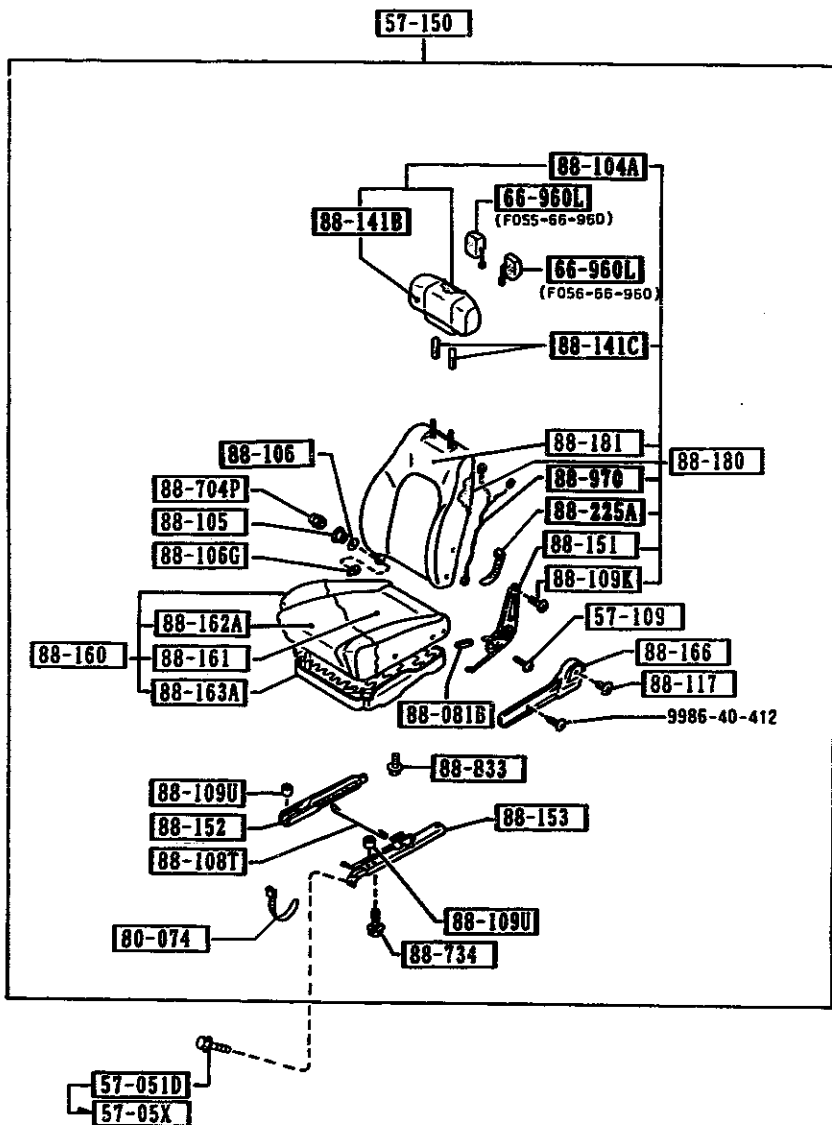


(THIS ILLUSTRATION CONSISTS OF 2 PAGES)



PART NO.	QTY	MODEL/RESTRICTION	MODEL/RESTRICTION	MODEL/RESTRICTION	FROM-TO
57-05X		BOLT, LINK			
8455-57-05X	8				9324-
57-051D		BOLT, SET			
UB40-57-05X	8				-9324
57-100		SEAT(R), FRONT			
FCY3-57-100	1				
02		F08 BLACK			
48		F09 BLUE			
57-109		SCREW, KNUCKLE			
0259-57-109	4				
57-150		SEAT(L), FRONT			
FCY3-57-150	1				
02		F08 BLACK			
48		F09 BLUE			
66-960L		SPEAKER(L), W/BOX & AMP			
F055-66-960	2				
F056-66-960	2				
80-074		BAND			
3966-88-116	5				
88-081A		KNOB(R), KNUCKLE			
B001-88-081	1				
02		F08 BLACK			
48		F09 BLUE			
88-081B		KNOB(L), KNUCKLE			
B001-88-091	1				
02		F08 BLACK			
48		F09 BLUE			
88-101		KNUCKLE(R), RECLINING			
F801-88-101	1				
9324 FC3NR-705162					

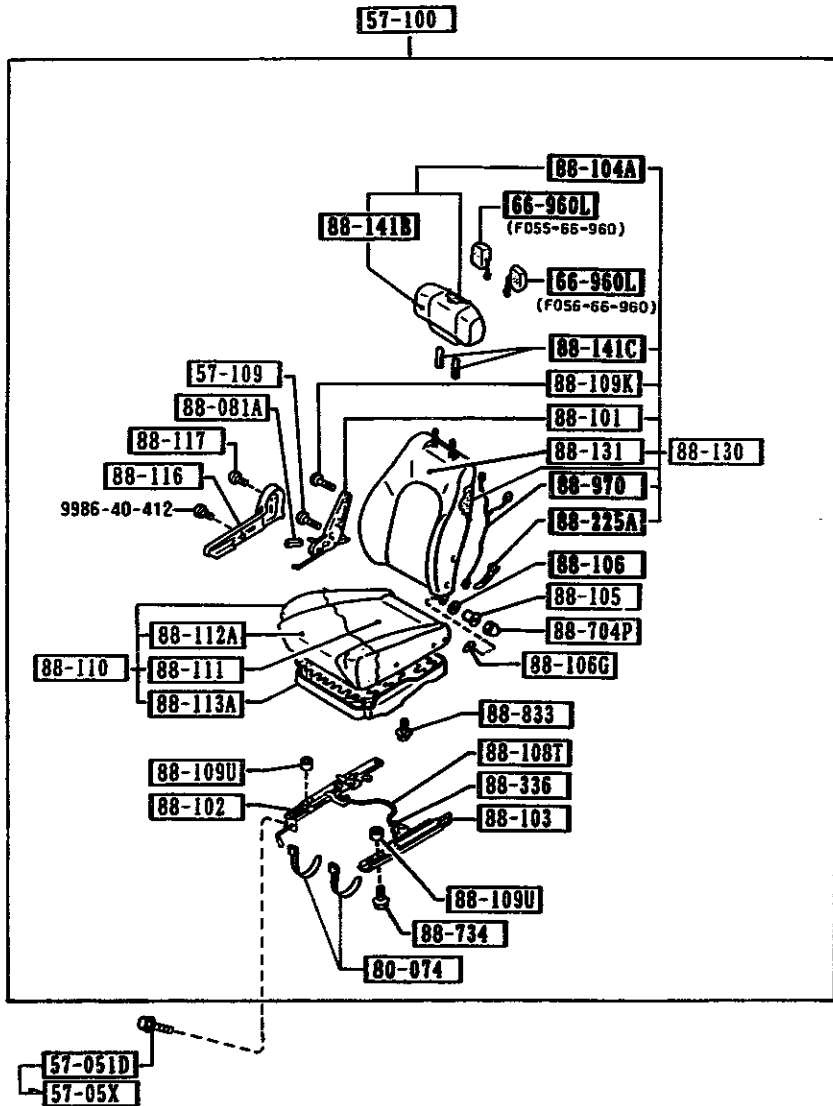
(THIS ILLUSTRATION CONSISTS OF 2 PAGES)



PART NO.	QTY	MODEL/RESTRICTION	MODEL/RESTRICTION	MODEL/RESTRICTION	FROM-TO
88-102		ADJUSTER, NO.1			
FC34-88-102A	1				
88-103		ADJUSTER, NO.2			
FC34-88-103	1				
88-104A		RESTRAINT, HEAD			
FB69-88-140	2				
02		F08 BLACK			
48		FD9 BLUE			
88-105		BUSH			
FB67-88-105	2				
88-106		WASHER			
FB67-88-107	2				
88-106G		WASHER, HINGE			
FB01-88-105	2				
88-108T		WIRE, RELEASE			
F062-88-106	1	(FOR RIGHT)			
H115-88-108	1	(FOR LEFT)			
88-109K		SCREW, KNUCKLE			
B095-88-109	4				
88-109U		SPACER			
FB44-88-109	4				
88-110		CUSHION(R), FRT SEAT			
FC72-88-110	1				-9117
02		F08 BLACK			
48		FD9 BLUE			
FB69-88-110	1				9117-
02		F08 BLACK			
48		FD9 BLUE			
88-111		TRIM(R), SEAT CUSHION			

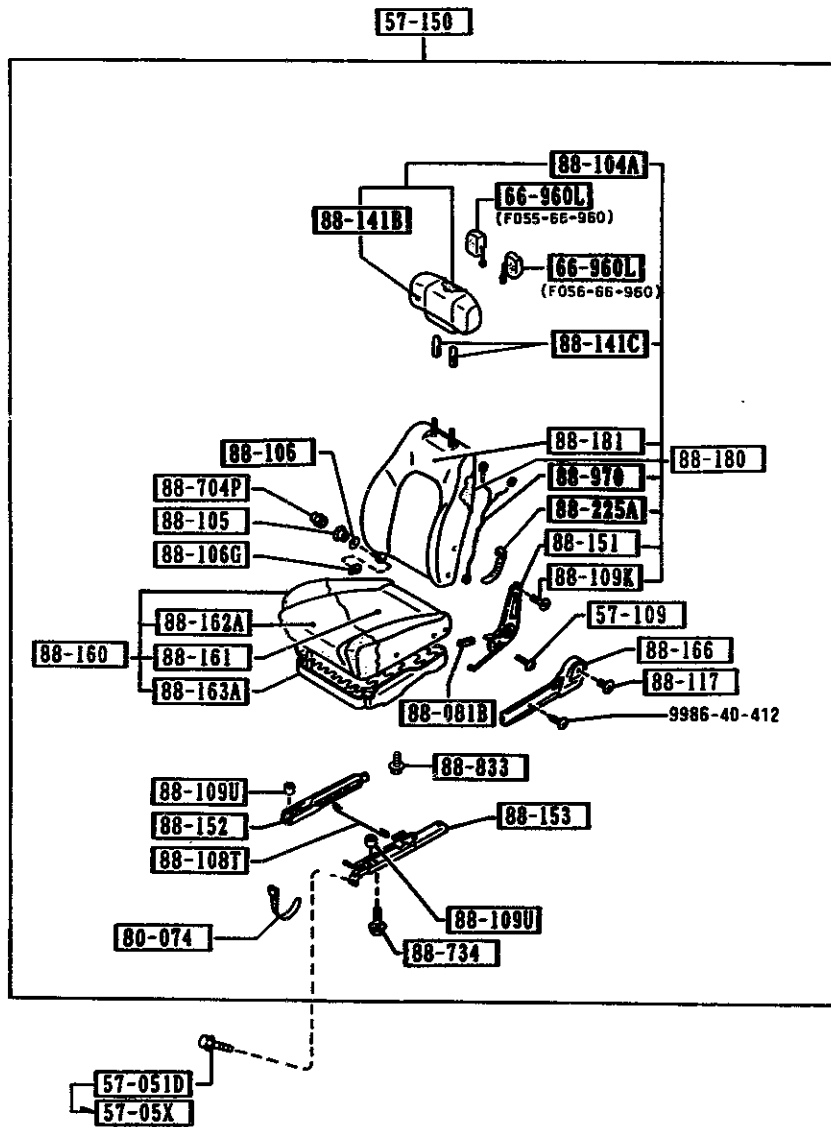
9117 FC3MXX-700199

(THIS ILLUSTRATION CONSISTS OF 2 PAGES)



PART NO.	QTY	MODEL/RESTRICTION	MODEL/RESTRICTION	MODEL/RESTRICTION	FROM-TO
CONT'D					
FB69-88-111	1				
02		FD8 BLACK			
48		FD9 BLUE			
88-112A		PAD(R), CUSHION-FRT			
FB44-88-112	1				
88-113A		FRAME(R), CUSHION-FRT			
FB68-88-113	1				
88-116		COVER(R), KNUCKLE			
F044-88-127A	1				
02		FD8 BLACK			
48		FD9 BLUE			
88-117		SCREW, KNUCKLE			
1243-88-117	2				
88-130		BACK(R), FRONT SEAT			
FC72-88-130	1				
02		FD8 BLACK			
48		FD9 BLUE			
88-131		TRIM(R), SEAT BACK			
FC72-88-131	1				
02		FD8 BLACK			
48		FD9 BLUE			
88-141B		TRIM, HEAD REST-FRT			
FB69-88-141	2				
02		FD8 BLACK			
48		FD9 BLUE			
88-141C		GUIDE, POLE-NO.1			
FB68-88-335	4				
88-151		KNUCKLE(L), RECLINING			
FB01-88-151	1				

(2/2)
(THIS ILLUSTRATION CONSISTS OF 2 PAGES)

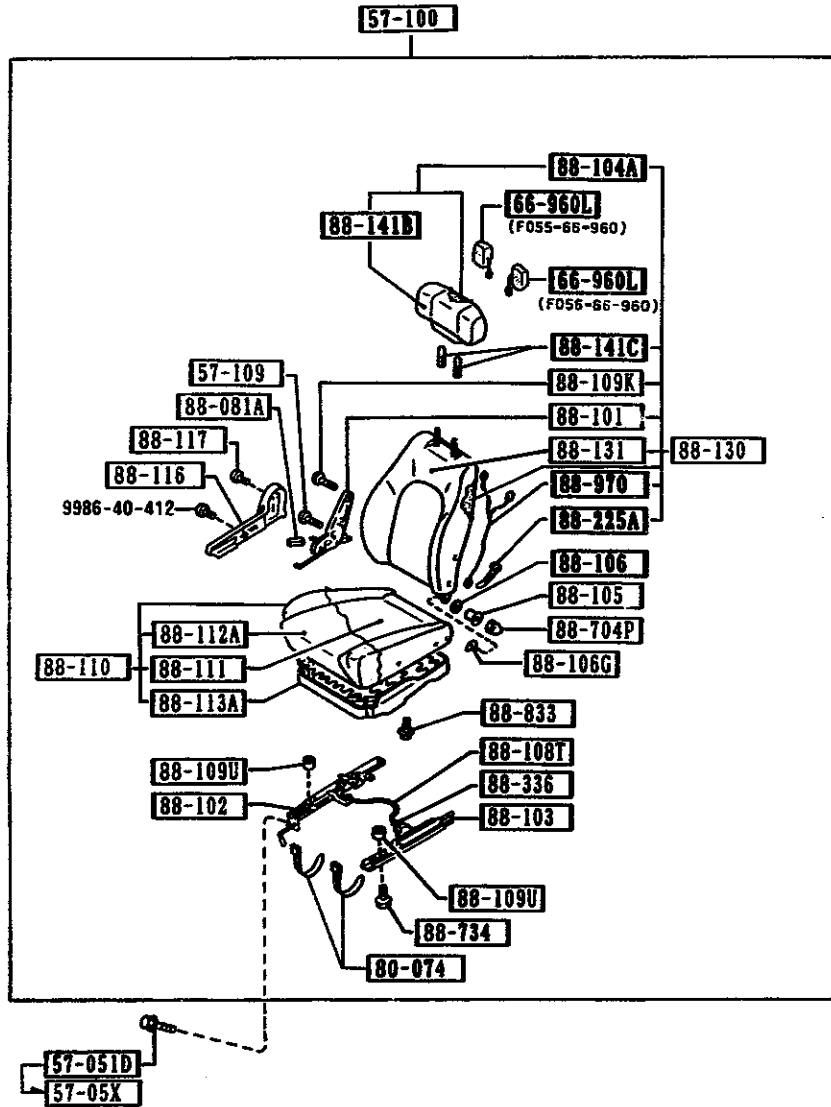


PART NO.	QTY	MODEL/RESTRICTION	MODEL/RESTRICTION	MODEL/RESTRICTION	FROM-TO
88-152		ADJUSTER NO.3			
FC01-88-152	1				
88-153		ADJUSTER NO.4			
FC34-88-153	1				
88-160		CUSHION(L),FRT SEAT			
FC72-88-160	1				
02		FD8 BLACK			
48		FD9 BLUE			
88-161		TRIM(L),SEAT CUSHION			
FB69-88-161	1				
02		FD8 BLACK			
48		FD9 BLUE			
88-162A		PAD(L),CUSHION-FRT			
FB44-88-162	1				
88-163A		FRAME(L),CUSHION-FRT			
FC34-88-163	1				
88-166		COVER(L),KNUCKLE			
F044-88-177A	1				
02		FD8 FE1 BLACK			
48		FD9 BLUE			
88-180		BACK(L),FRONT SEAT			
FB69-88-180	1				
02		FD8 BLACK			
48		FD9 BLUE			
88-181		TRIM(L),SEAT BACK			
FB69-88-181	1				
02		FD8 BLACK			
48		FD9 BLUE			
88-225A		BAND			
FB68-88-115	2				

5700A FRONT SEATS
(CONVERTIBLE)

(1/2)

(THIS ILLUSTRATION CONSISTS OF 2 PAGES)



5700A -5 * FRONT SEATS
(CONVERTIBLE)

PART NO.	QTY	MODEL/RESTRICTION	MODEL/RESTRICTION	MODEL/RESTRICTION	FROM-TO
88-336		RING, STOPPER			
FA58-88-336	1				
88-704P		NUT			
B092-88-519	2				
88-734		BOLT			
B092-88-818	4				
88-833		BOLT, ADJUSTER-FRT SEAT			
F044-88-833	6				
88-970		CORD, SHORT-FRT SEAT BACK			
FB68-88-970	2				

AUFA02

(CONT'D)

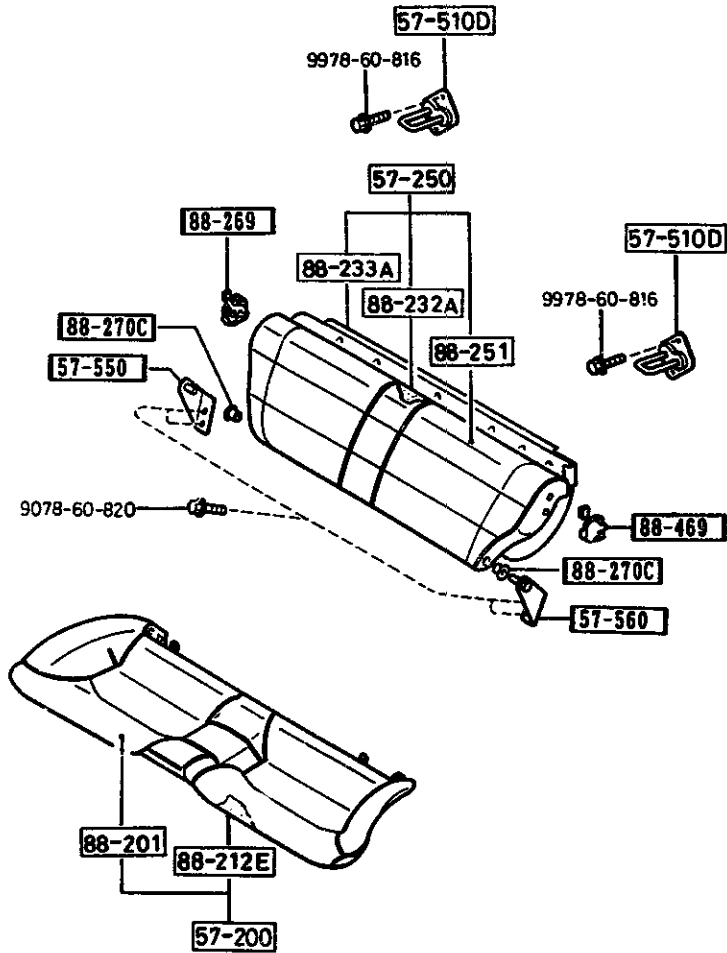
CAT. AUFA02-06

1992-05

3-J13

5750 REAR SEATS
(COUPE)

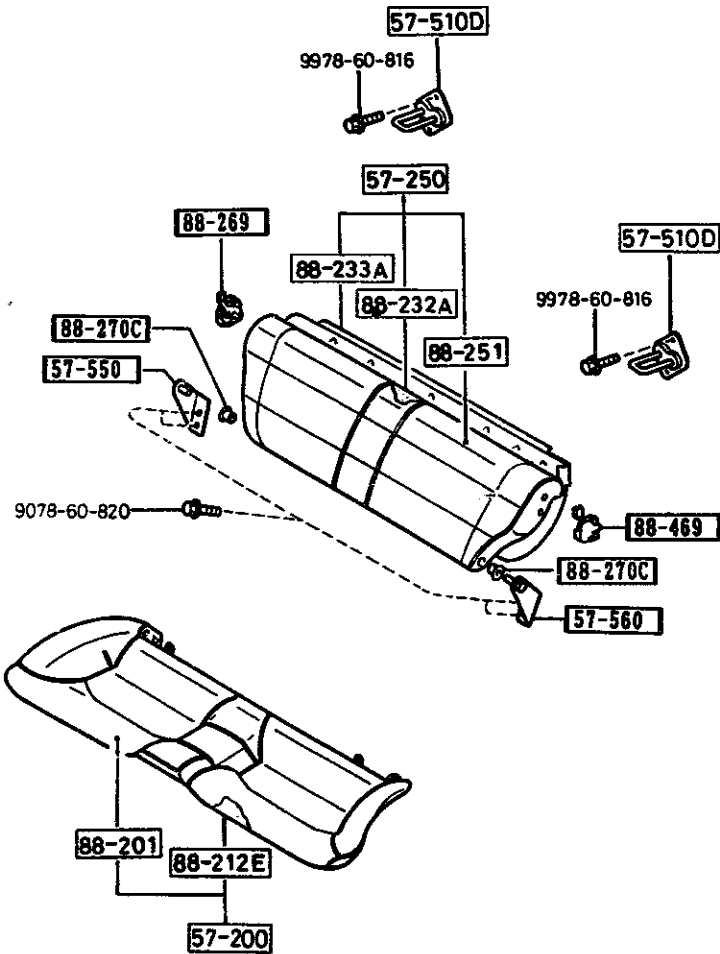
5750 -1 REAR SEATS
(COUPE)



PART NO.	QTY	MODEL/RESTRICTION	MODEL/RESTRICTION	MODEL/RESTRICTION	FROM-TO
57-200		CUSHION, REAR SEAT			
FC04-57-200	1				
02		FD8 BLACK			
19		FE0 RED			
48		FD9 BLUE			
57-250		BACK, REAR SEAT			
FC04-57-350	1				
02		FD8 BLACK			
19		FE0 RED			
48		FD9 BLUE			
57-510D		STRIKER, RR. SEAT CUSHION			
FB10-57-510	2				
57-550		HINGE (R), REAR BACK			
FB10-57-550	1				
57-560		HINGE (L), REAR BACK			
FB10-57-560	1				
88-201		TRIM, RR SEAT CUSHION			
FC04-88-201	1				
02		FD8 BLACK			
19		FE0 RED			
48		FD9 BLUE			
88-212E		PAD, RR SEAT CUSHION			
FC04-88-202	1				
88-232A		PAD, RR SEAT BACK			
FB10-88-252	1				
88-233A		FRAME, RR SEAT BACK			
FB10-88-253	1				
88-251		TRIM, REAR SEAT BACK			
FC04-88-351	1				
02		FD8 BLACK			

5750 REAR SEATS
(COUPE)

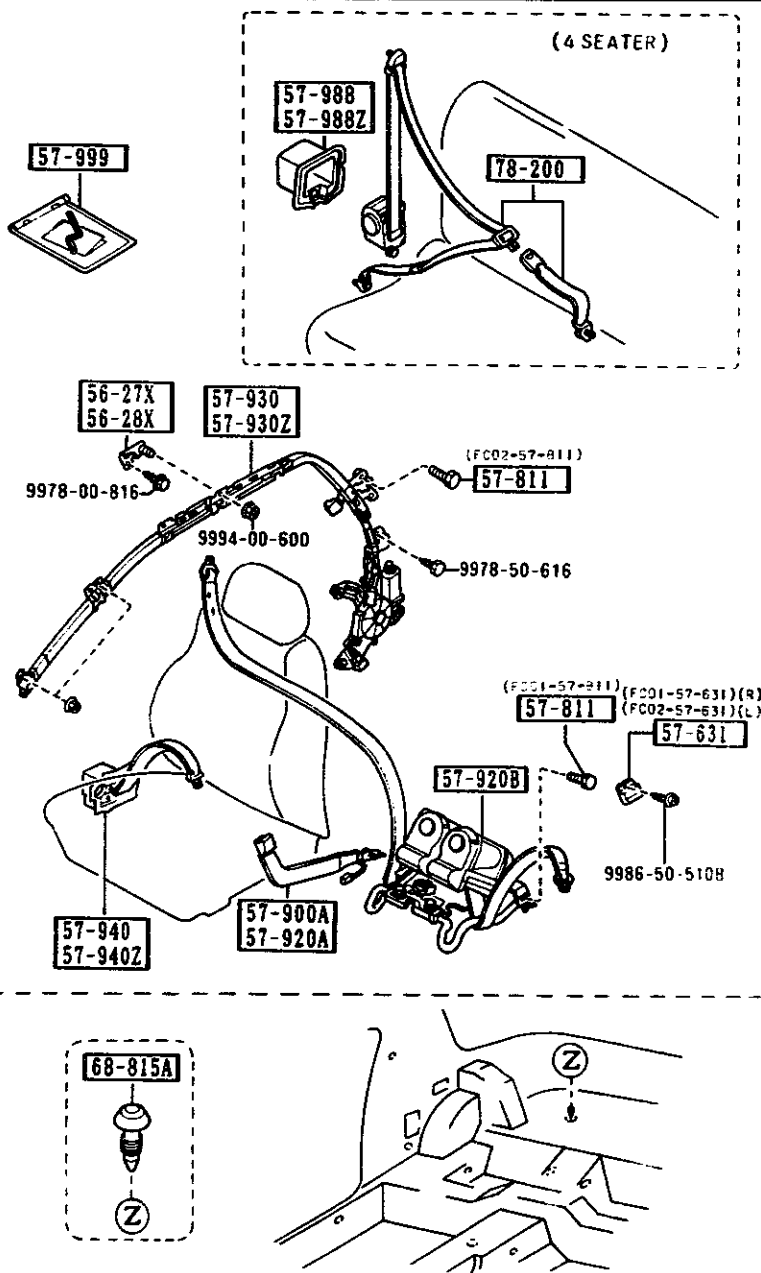
5750 -2 * REAR SEATS
(COUPE)



PART NO.	QTY	MODEL/RESTRICTION	MODEL/RESTRICTION	MODEL/RESTRICTION	FROM-TO
CONT'D					
19		FED RED			
48		FD9 BLUE			
88-269		CATCH(R),RR.SEAT BAC			
FB10-88-269	1				
88-270C		BUSH,HINGE			
B093-88-270	2				
88-469		CATCH(L),RR.SEAT BAC			
FB10-88-469	1				

5790 SEAT BELTS
(COUPE)

5790 -1 SEAT BELTS
(COUPE)



PART NO.	QTY	MODEL/RESTRICTION	MODEL/RESTRICTION	MODEL/RESTRICTION	FDM-10
56-27X		BRACKET(R),SEAT BELT			
FC01-56-27X	1				
56-28X		BRACKET(L),SEAT BELT			
FC01-56-28X	1				
57-631		COVER,ANCHOR			
FC01-57-631	1	(FOR RIGHT)			
02		F08 FE1 BLACK			
19		F09 RED			
48		F09 BLUE			
FC02-57-631	1	(FOR LEFT)			
02		F08 FE1 BLACK			
19		F09 RED			
48		F09 BLUE			
57-811		BOLT,SEAT BELT			
FC01-57-811	2				
FC02-57-811	2				
57-900A		BELT'A'(R),FRT SEAT			
FC01-57-620A	1				
02		F08 FE1 BLACK			
19		F09 RED			
48		F09 BLUE			
57-920A		BELT'A'(L),FRT SEAT			
FC01-57-680A	1				
02		F08 FE1 BLACK			
19		F09 RED			
48		F09 BLUE			
57-920B		BELT,AUTO SHOULDER-RETRACT			
FC01-57-920B	1				
02		F08 BLACK			
19		F09 RED			
48		F09 BLUE			

AUFA02

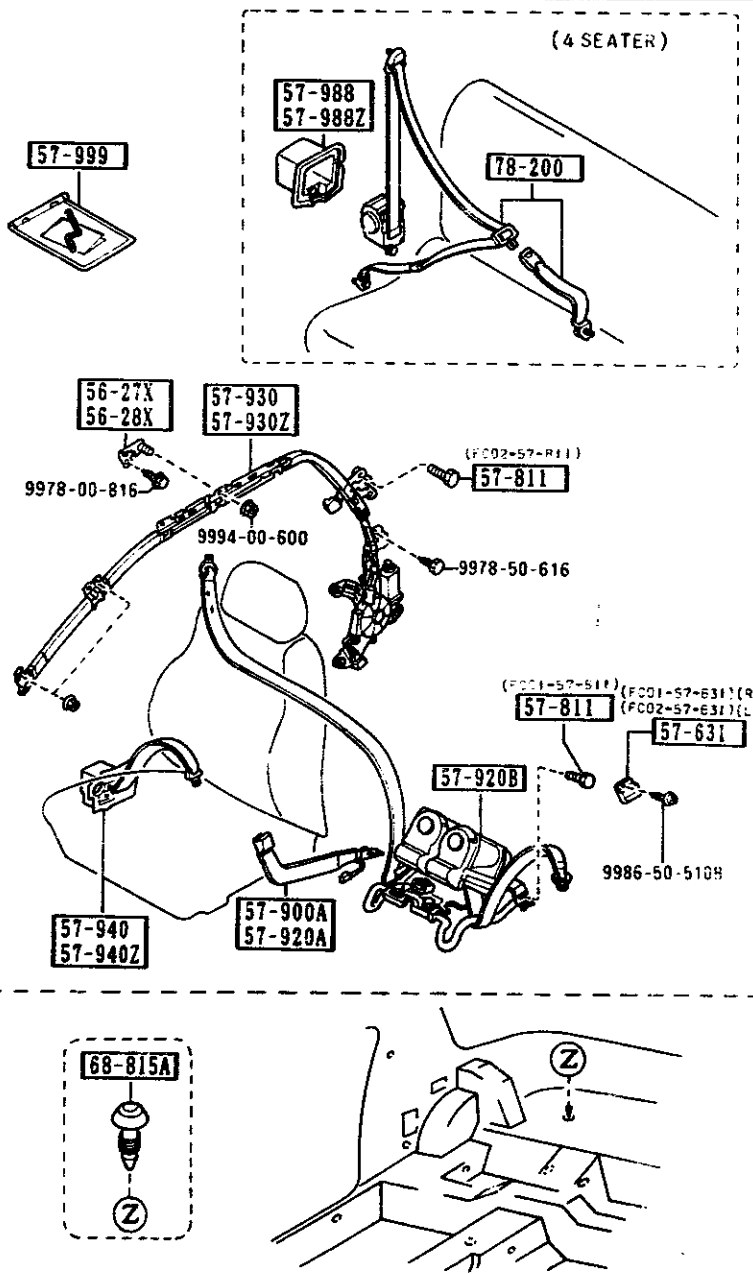
CAT. AUFA02-06

1992-05

3-M13

5790 SEAT BELTS
(COUPE)

5790 -2 * SEAT BELTS
(COUPE)



PART NO.	QTY	MODEL/RESTRICTION	MODEL/RESTRICTION	MODEL/RESTRICTION	FROM-TO
57-930		BELT*B*(R),AUTO SHOULDER			
FC01-57-930B	1				
57-930Z		BELT*B*(L),AUTO SHOULDER			
FC01-57-990B	1				
57-940		BELT(R),LAP			
FC01-57-940B	1				
02		F08 BLACK			
19		F09 RED			
48		FD9 BLUE			
57-940Z		BELT(L),LAP			
FC01-57-980B	1				
02		F08 BLACK			
19		F09 RED			
48		FD9 BLUE			
57-988		COVER(R),RETRACTOR			
FB26-57-988	1	(4SEATER)			
57-988Z		COVER(L),RETRACTOR			
FB26-57-989	1	(4SEATER)			
57-999		HANDLE,EMERGENCY			
GJ12-57-999A	1				-9202
FC01-57-999	1				9202-9901
A (FC01-57-999A)					
FC01-57-999A	1				9901-
68-815A		TACKER			
1011-68-815	2				
78-200		BELT,REAR SEAT			
FC01-57-710	2	(4SEATER)			9401-
00		F08 BLACK			-9401
02		F08 BLACK			
19		F09 RED			
48		FD9 BLUE			

9202 FC3MM-702073
 9401 FC3MM-705390
 9901 FC3MM-4-802200

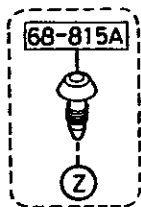
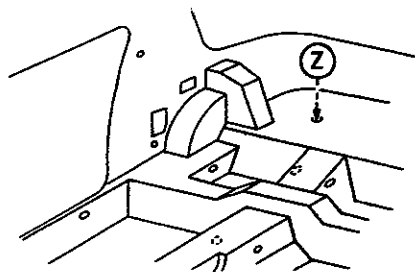
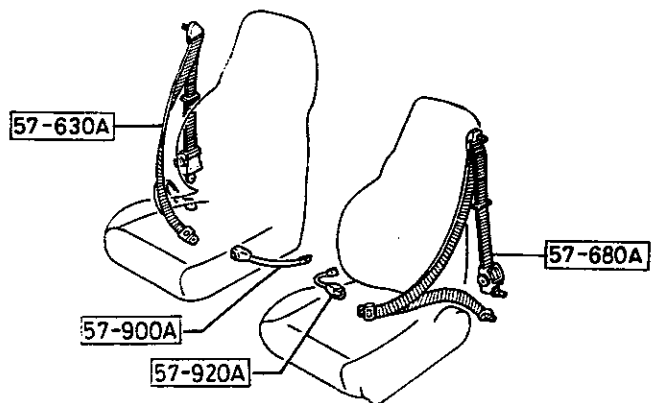
3-N13

SECTION NAME INDEX (BODY)1/2

LG.NO	SEC.NO	SECTION NAME	LG.NO	SEC.NO	SECTION NAME	LG.NO	SEC.NO	SECTION NAME
3-C03	0900	KEY SETS	3-J09	5390	FLOOR ATTACHMENTS			
3-F03	5000	FRONT BUMPER	3-C10	5500	DASHBOARD EQUIPMENTS			
3-H03	5010	REAR BUMPER	3-F10	5520	METER HOOD			
3-J03	5020	HEAD LAMP CLEANER	3-G10	5530	SPEEDOMETER CABLE			
3-L03	5030	WINDOW MOULDINGS	3-H10	5540	METER COMPONENTS			
3-M03	5040	BODY MOULDINGS (COUPE)	3-J10	5560	DASHBOARD & RELATED PARTS			
3-E04	5060	SIDE PROTECTORS	3-E11	5570	CONSOLE			
3-I04	5100	HEAD LAMPS	3-H11	5580	VENTILATOR			
3-J04	5103	HEAD LAMP RETRACTORS	3-J11	5700	FRONT SEATS (COUPE)			
3-N04	5105	FRONT COMBINATION LAMPS	3-E13	5700A	FRONT SEATS (CONVERTIBLE)			
3-G05	5110	REAR COMBINATION LAMPS	3-K13	5750	REAR SEATS (COUPE)			
3-K05	5120	LICENSE LAMPS	3-M13	5790	SEAT BELTS (COUPE)			
3-M05	5125	INTERIOR LAMPS						
3-N05	5130	OVERHEAD CONSOLE	3-C14	5790A	SEAT BELTS (CONVERTIBLE)			
3-C06	5170	ORNAMENTS	3-D14	5800	FRONT DOORS (COUPE)			
3-D06	5180	COWL & EXTRACTOR GRILLES	3-G14	5800A	FRONT DOORS (CONVERTIBLE)			
3-G06	5230	BONNET	3-K14	5830	FRONT DOOR MECHANISMS (COUPE)			
3-J06	5260	TRUNK LID (CONVERTIBLE)						
3-L06	5310	BODY PANELS (FRONT) (COUPE)	3-F15	5830A	FRONT DOOR MECHANISMS (CONVERTIBLE)			
3-C07	5310 A	BODY PANELS (FRONT) (CONVERTIBLE)	3-J15	5840	FRONT DOOR TRIMS & RELATED PARTS (COUPE)			
3-F07	5320	BODY PANELS (FENDER & WHEEL ARCH)	3-H16	5840A	FRONT DOOR TRIMS & RELATED PARTS (CONVERTIBLE)			
3-K07	5330	BODY PANELS (DASH & COWL PANEL)						
3-L07	5340	BODY PANELS (SIDE) (COUPE)						
3-E08	5340A	BODY PANELS (SIDE) (CONVERTIBLE)						
3-K08	5360	BODY PANELS (ROOF) (W/O SUN ROOF)						
3-L08	5360 A	BODY PANELS (ROOF) (SUN ROOF)						
3-M08	5370	BODY PANELS (FLOOR) (COUPE)						
3-D09	5370 A	BODY PANELS (FLOOR) (CONVERTIBLE)						
3-H09	5380	FLOOR ATTACHMENTS (HOLE COVERS)						

5790A -1 * SEAT BELTS
(CONVERTIBLE)

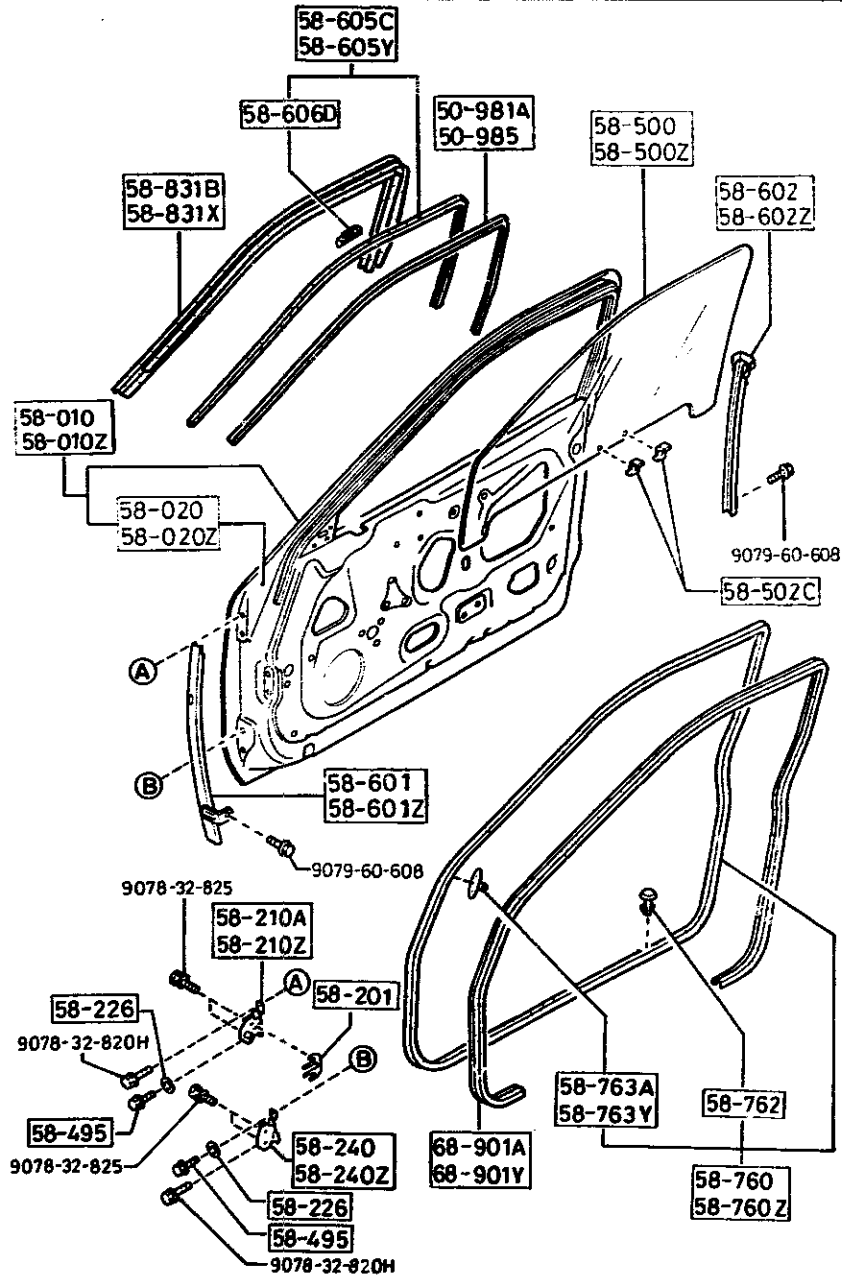
5790A SEAT BELTS
(CONVERTIBLE)



PART NO.	QTY	MODEL/RESTRICTION	MODEL/RESTRICTION	MODEL/RESTRICTION	FROM-TO
57-630A		BELT 'B' (R), FRT SEAT			
FC33-57-630	1				
00		FD8 BLACK			
48		FD9 BLUE			
57-680A		BELT 'B' (L), FRT SEAT			
FC33-57-690	1	(W/O AIR BAG)			
00		FD8 BLACK			
48		FD9 BLUE			
FC66-57-690A	1	(W/AIR BAG)			
00		FD8 BLACK			
48		FD9 BLUE			
57-900A		BELT 'A' (R), FRT SEAT			
FB10-57-620C	1				
02		FD8 FE1 BLACK			
48		FD9 BLUE			
57-920A		BELT 'A' (L), FRT SEAT			
FB10-57-680A	1				
02		FD8 FE1 BLACK			
48		FD9 BLUE			
68-815A		TACKER			
1011-68-815	2				

5800 FRONT DOORS (COUPE)

5800 -1 FRONT DOORS (COUPE)



PART NO.	QTY	MODEL/RESTRICTION	MODEL/RESTRICTION	MODEL/RESTRICTION	FROM-TO
50-981A		MOULD(R), SASH-DOOR			
FB01-50-981B	1				
50-985		MOULD(L), SASH-DOOR			
FB01-50-985B	1				
58-010		BODY(R), FRONT DOOR			
FC01-58-020A	1				
58-010Z		BODY(L), FRONT DOOR			
FC01-59-020A	1				
58-020		PANEL(R), OUT.-FRT DOOR			
FC01-58-031	1				
58-020Z		PANEL(L), OUT.-FRT DOOR			
FC01-59-031	1				
58-201		SHIM, HINGE-DOOR			
B092-58-201 AN(6092-58-201A)	2				-9901
B092-58-201A	2				9901-
58-210A		HINGE, DOOR			
FB67-58-210	1				
58-210Z		HINGE(L), DOOR-UPPER			
FB67-59-210	1				
58-226		WASHER, SETTING			
GJ21-58-226	4				
58-240		HINGE(R), DOOR-LOWER			
FB67-58-240	1				
58-240Z		HINGE(L), DOOR-LOWER			
FB67-59-240	1				
58-495		BOLT, SET			
BA54-58-225	4				
9901 FC3MM-802200					

AUFA02

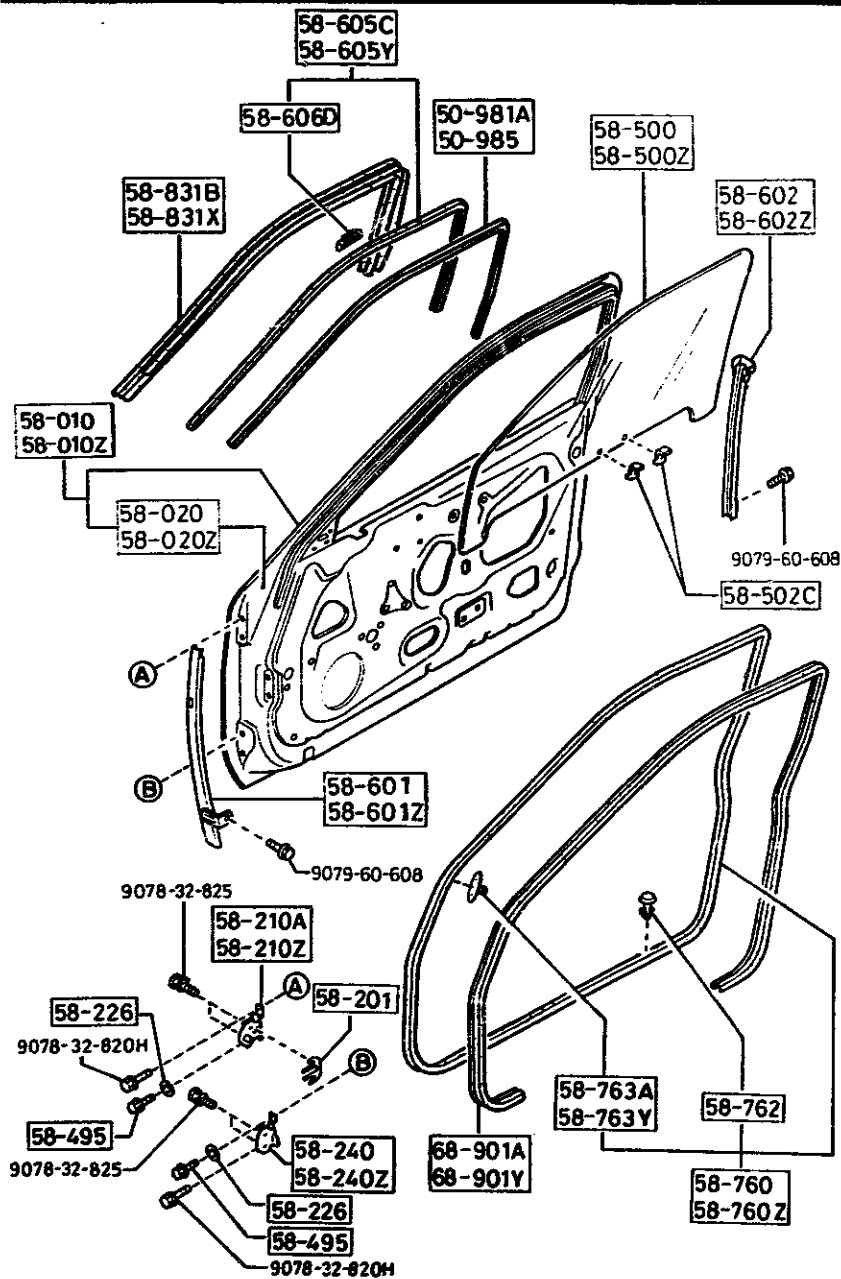
CAT. AUFA02-06

1992-05

3-D14

5800 FRONT DOORS
(COUPE)

5800 -2 FRONT DOORS
(COUPE)



PART NO.	QTY	MODEL/RESTRICTION	MODEL/RESTRICTION	MODEL/RESTRICTION	FROM-TO
58-500		GLASS(R), DOOR-FRT BLUE			
FB01-58-511	1				
58-500Z		GLASS(L), DOOR-FRT			
FB01-59-511	1				
58-502C		GROMMET, SCREW			
S084-58-502	4				
58-601		GUIDE 'A' (R), GLASS			
FB01-58-603B	1				
58-601Z		GUIDE 'A' (L), GLASS			
FB01-59-603B	1				
58-602		GUIDE 'B' (R), GLASS			
FB01-58-604A	1				
58-602Z		GUIDE 'B' (L), GLASS			
FB01-59-604A	1				
58-605C		CHANNEL (R), GLASS RUN			
FB01-58-60XC A (FB01-58-60XD)	1				-9B11
FB01-58-60XD	1				9B11-
58-605Y		CHANNEL (L), GLASS RUN			
FB01-59-60XC A (FB01-59-60XD)	1				-9B11
FB01-59-60XD	1				9B11-
58-606D		ADJUSTER, GLASS-FRT D OOR			
FB01-58-606A	2				
58-760		WEATHERSTRIP (R), DOOR			
FB01-58-760C	1				
58-760Z		WEATHERSTRIP (L), DOOR			
FB01-59-760C	1				
9B11 FC3***-804430					

AUFA02

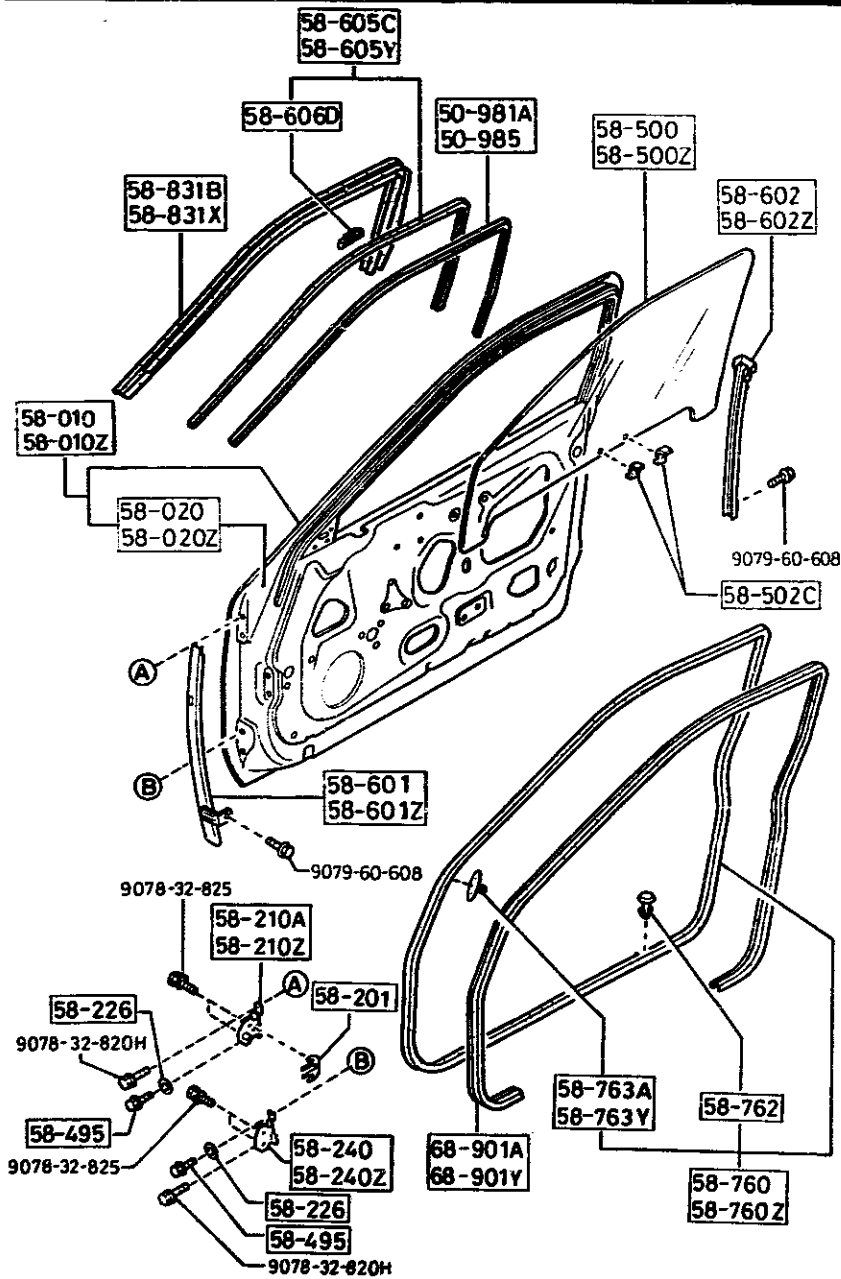
CAT. AUFA02-06

1992-05

3-E14

5800 FRONT DOORS
(COUPE)

5800 -3 * FRONT DOORS
(COUPE)



PART NO.	QTY	MODEL/RESTRICTION	MODEL/RESTRICTION	MODEL/RESTRICTION	FROM TO
58-762		FASTENER			
G031-58-762	52				
58-763A		FASTENER(R)			
FB02-58-762A	2				
58-763Y		FASTENER(L)			
FB02-59-762A	2				
58-831B		WEATHERSTRIP(R), RAIN RAIL			
FB01-58-831E	1				
58-831X		WEATHERSTRIP(L), RAIN RAIL			
FB01-59-831E	1				
68-901A		WELT(R), SEAMING			
FB01-68-911	1				
02		FD8 FE1 BLACK			
19		FE0 RED			
48		FD9 BLUE			
68-901Y		WELT(L), SEAMING			
FB01-68-912	1				
02		FD8 FE1 BLACK			
19		FE0 RED			
48		FD9 BLUE			

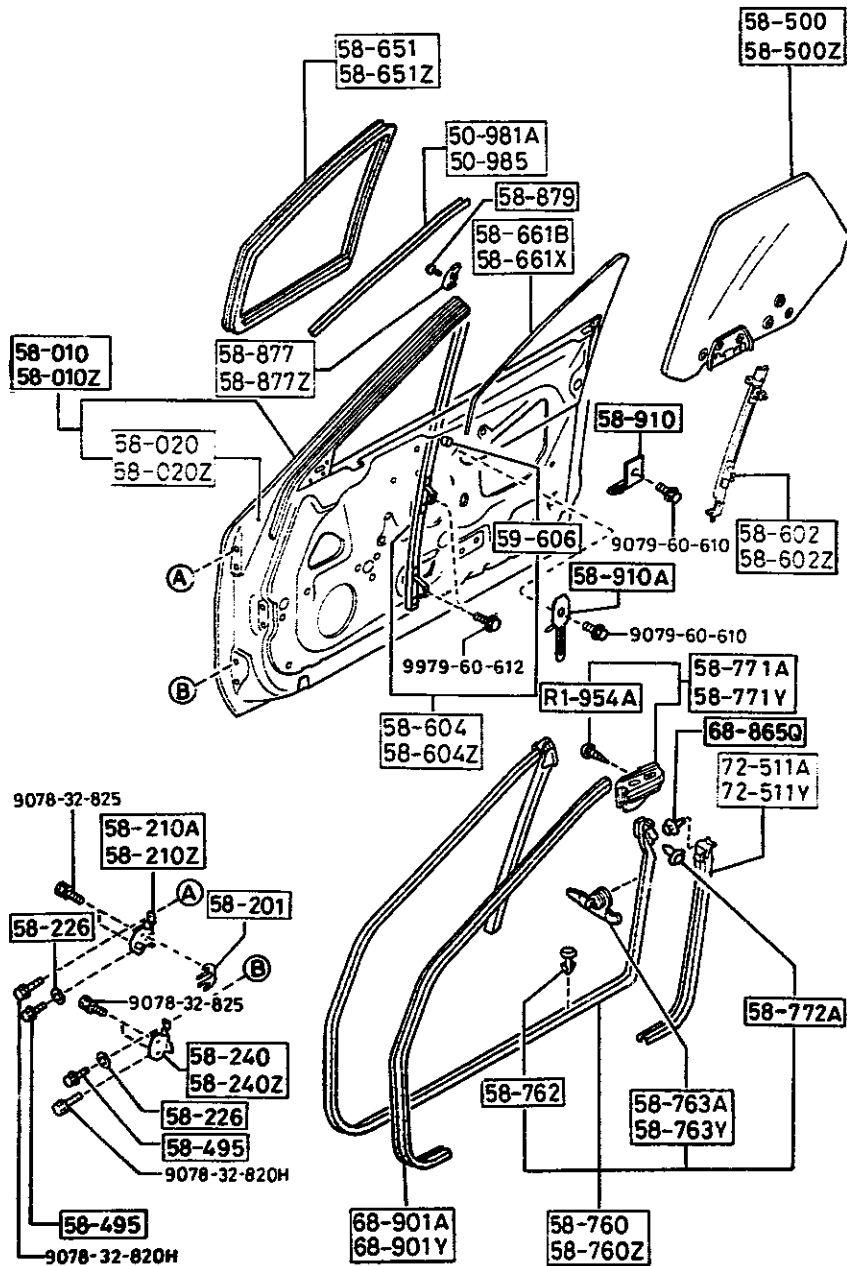
AUFA02

CAT. AUFA02-06

1992-05

3-F14

5800A FRONT DOORS
(CONVERTIBLE)



5800A -1 FRONT DOORS
(CONVERTIBLE)

PART NO.	QTY	MODEL/RESTRICTION	MODEL/RESTRICTION	MODEL/RESTRICTION	FROM-TO
R1-954A		HOOK, SCREW-QTR TRIM			
FB67-R1-954A	2				
50-981A		MOULD(R), SASH-DOOR			
FB67-50-981A	1				
50-985		MOULD(L), SASH-DOOR			
FB67-50-985A	1				
58-010		BODY(R), FRONT DOOR			
FC33-58-020A	1				
58-010Z		BODY(L), FRONT DOOR			
FC33-59-020A	1				
58-020		PANEL(R), OUT.-FRT DOOR			
FC33-58-031	1				
58-020Z		PANEL(L), OUT.-FRT DOOR			
FC33-59-031	1				
58-201		SHIM, HINGE-DOOR			
B092-58-201	2				-9901
AN(B092-58-201A)					
B092-58-201A	2				9901-
58-210A		HINGE, DOOR			
FB67-58-210	1				
58-210Z		HINGE(L), DOOR-UPPER			
FB67-59-210	1				
58-226		WASHER, SETTING			
GJ21-58-226	4				
58-240		HINGE(R), DOOR-LOWER			
FB67-58-240	1				
58-240Z		HINGE(L), DOOR-LOWER			
FB67-59-240	1				
9901 FC3***-802200					

AUFA02

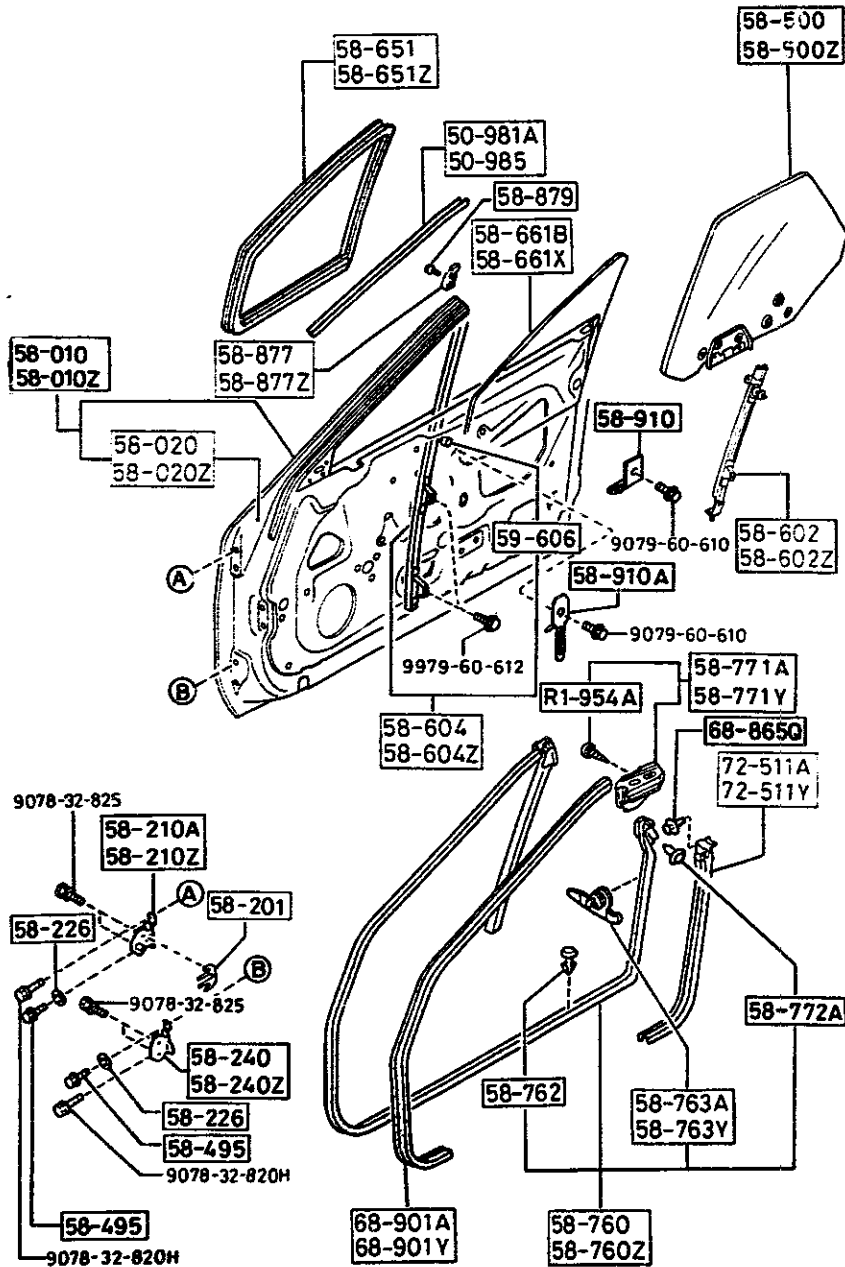
CAT. AUFA02-06

1992-05

3-G14

5800A FRONT DOORS
(CONVERTIBLE)

5800A -2 FRONT DOORS
(CONVERTIBLE)



PART NO.	QTY	MODEL/RESTRICTION	MODEL/RESTRICTION	MODEL/RESTRICTION	FROM-TO
58-495		BOLT, SET			
BA54-58-225	4				
58-500		GLASS (R), DOOR-FRT			
FB67-58-510C	1				
58-500Z		GLASS (L), DOOR-FRT			
FB67-59-510C	1				
58-602		GUIDE 'B' (R), GLASS			
FB67-58-61XB	1				
58-602Z		GUIDE 'B' (L), GLASS			
FB67-59-61XB	1				
58-604		CHANNEL (R), DIVISION-DOOR			
FB67-58-6A0A	1				
58-604Z		CHANNEL (L), DIVISION-DOOR			
FB67-59-6A0A	1				
58-651		WEATHERSTRIP (R)			
FB67-58-651	1				
58-651Z		WEATHERSTRIP (L)			
FB67-59-651	1				
58-661B		GLASS (R), QUARTER-F.D DOOR			
FB67-58-661B	1				
58-661X		GLASS (L), QUARTER-F.D DOOR			
FB67-59-661B	1				
58-760		WEATHERSTRIP (R), DOOR			
FB67-58-760A AN (FB67-58-760B)	1				-9421
FB67-58-760B	1				9421-
58-760Z		WEATHERSTRIP (L), DOOR			
FB67-59-760A AN (FB67-59-760B)	1				-9421
9421 FC3MHW-706548					

AUFA02

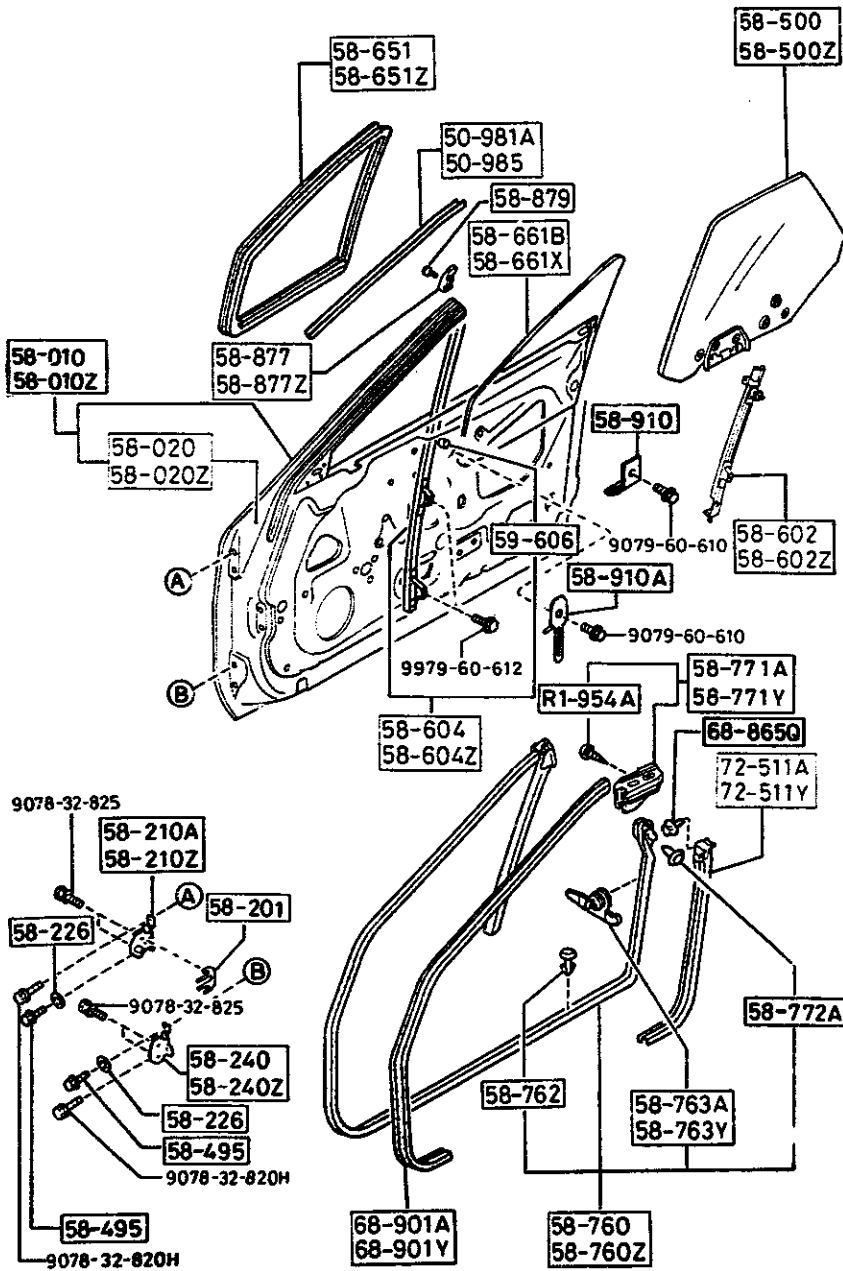
CAT. AUFA02-06

1992-05

3-H14

5800A FRONT DOORS
(CONVERTIBLE)

5800A -3 FRONT DOORS
(CONVERTIBLE)



PART NO.	QTY	MODEL/RESTRICTION	MODEL/RESTRICTION	MODEL/RESTRICTION	FROM-TO
CONT'D FB67-59-760B	1				9421-
58-762		FASTENER			
G031-58-762	52				
58-763A		FASTENER (R)			
FB02-58-762A	2				
58-763Y		FASTENER (L)			
FB02-59-762A	2				
58-771A		WEATHERSTRIP (R), CAB. SIDE			
FB67-58-770F	1				
58-771Y		WEATHERSTRIP (L), CAB. SIDE			
FB67-59-770F	1				
58-772A		FASTENER			
1011-58-772	4				
58-877		PROTECTOR (R), DOOR SASH			
FB67-58-877C	1				
58-877Z		PROTECTOR (L), DOOR SASH			
FB67-59-877C	1				
58-879		SCREW, PROTECTOR-SASH			
FB67-58-879	4				
58-910		STOPPER, GLASS			
H272-58-911	2				
58-910A		STOPPER, GLASS			
FB67-58-910	2				
59-606		PROTR. STUD-DIVISION CHAN			
FB67-59-606	2				
68-8650		FASTENER			
GJ21-68-885A AN(GJ21-68-885B)	2				-9526
9421 FC3NNH-706548 9526 FC3NNH-707799					

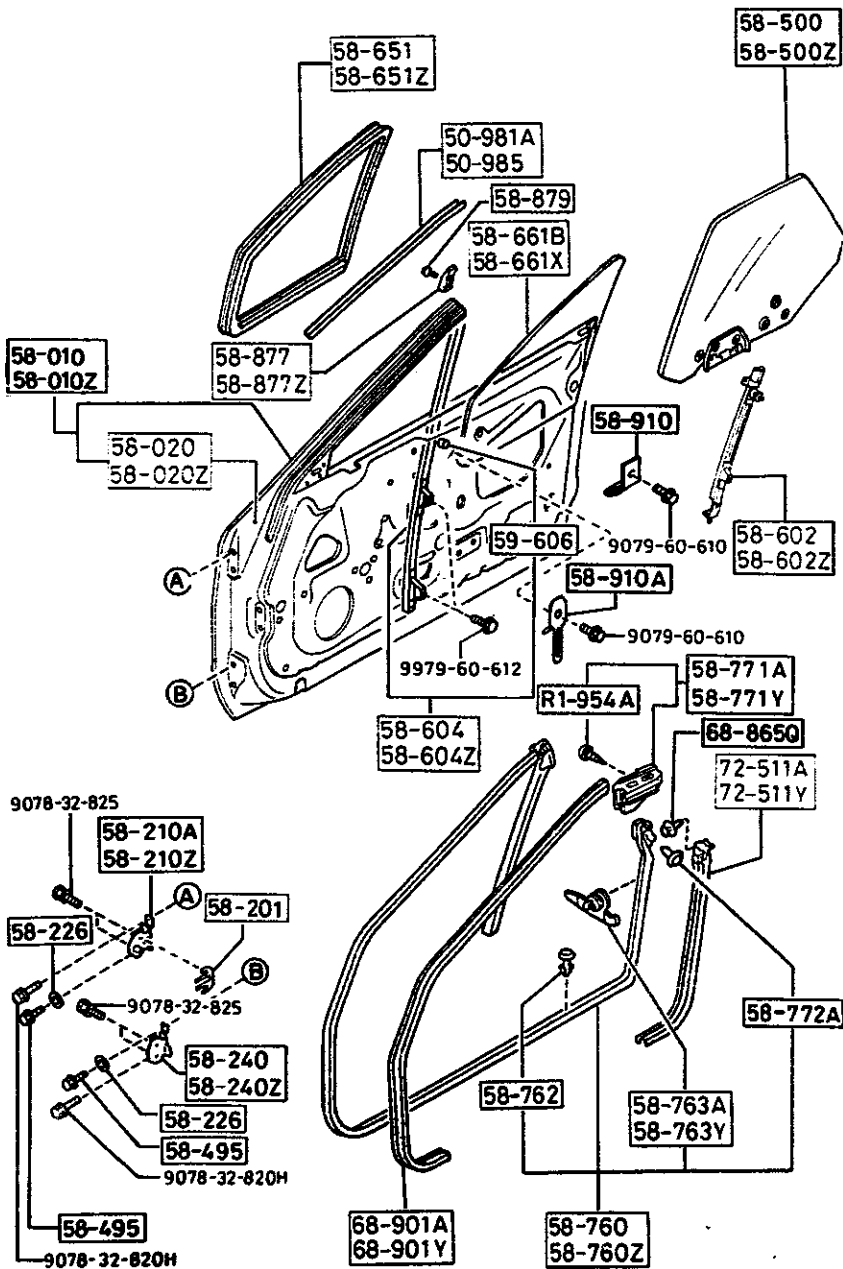
AUFA02

CAT. AUFA02-06

1992-05

5800A FRONT DOORS
(CONVERTIBLE)

5800A -4 * FRONT DOORS
(CONVERTIBLE)



PART NO.	QTY	MODEL/RESTRICTION	MODEL/RESTRICTION	MODEL/RESTRICTION	FPGM-TO
CONT'D					
02		FD8 BLACK			
48		FD9 BLUE			
GJ21-68-885B	2				9526-
02		FD8 FE1 BLACK			
48		FD9 BLUE			
68-901A		WELT(R), SEAMING			
FB67-68-911B AN(FB67-68-911C)	1				-9421
02		FD8 BLACK			
48		FD9 BLUE			
FB67-68-911C	1				9421-
02		FD8 FE1 BLACK			
48		FD9 BLUE			
68-901Y		WELT(L), SEAMING			
FB67-68-912B AN(FB67-68-912C)	1				-9421
02		FD8 BLACK			
48		FD9 BLUE			
FB67-68-912C	1				9421-
02		FD8 FE1 BLACK			
48		FD9 BLUE			
72-511A		WELT(R), SEAMING			
FB67-68-921A	1				
02		FD8 FE1 BLACK			
48		FD9 BLUE			
72-511Y		WELT(L), SEAMING			
FB67-68-922A	1				
02		FD8 FE1 BLACK			
48		FD9 BLUE			
9421 FC3RHX-706548 9526 FC3RHX-707799					

AUFA82

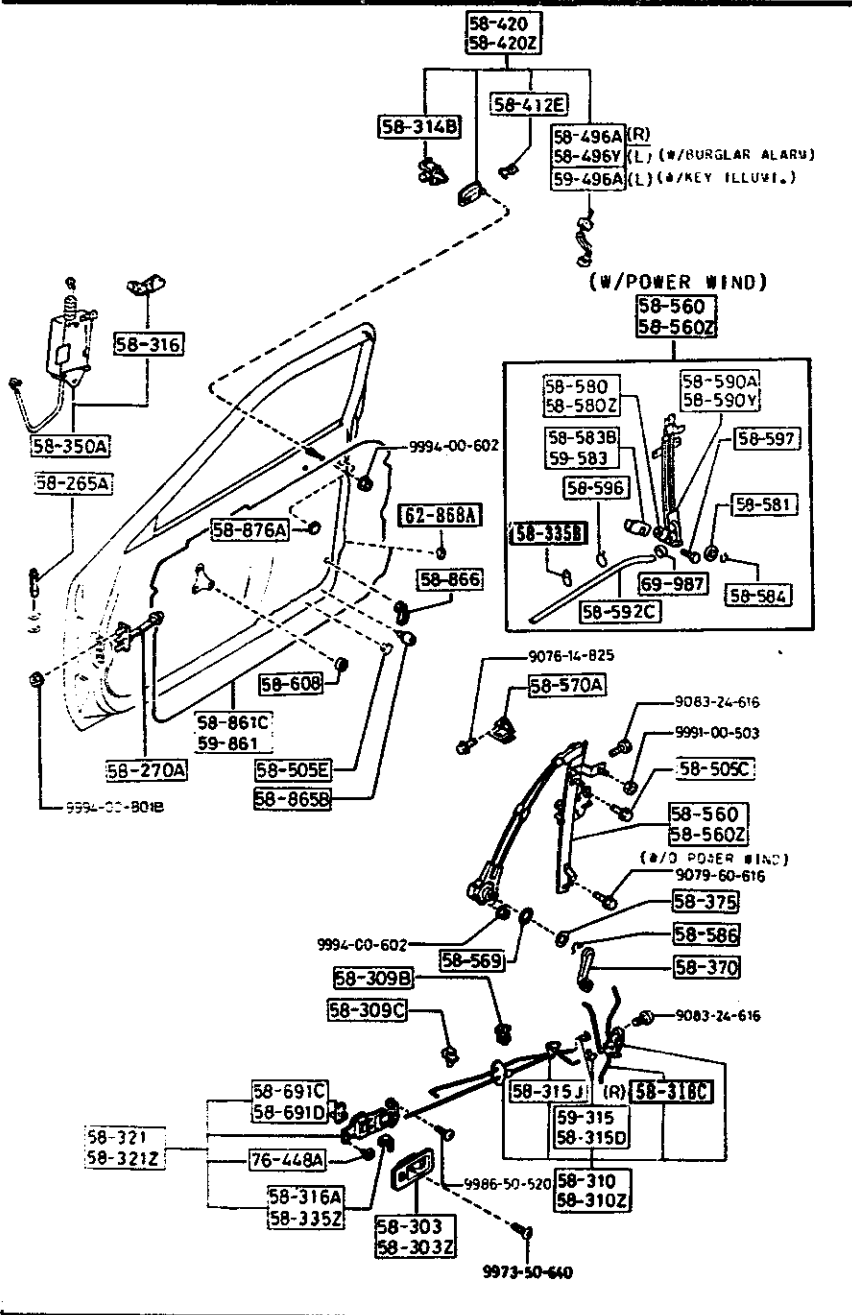
CAT. AUFA02-06

1992-05

3-J14

5830 FRONT DOOR MECHANISMS (COUPE)

5830 -3 FRONT DOOR MECHANISMS (COUPE)



PART NO.	QTY	MODEL/RESTRICTION	MODEL/RESTRICTION	MODEL/RESTRICTION	FROM TO
58-370		HANDLE, REGULATOR			
8092-58-580	2	GTU, GTUS, (W/O POWER WIND.)			
02		FD8 FE1 BLACK			
19		FE0 RED			
48		FD9 BLUE			
58-375		ESCUTCHEON			
B001-58-582A	2	GTU, GTUS, (W/O POWER WIND.)			
02		FD8 FE1 BLACK			
19		FE0 RED			
48		FD9 BLUE			
58-412E		CLIP, HARNESS-OUT. HANDLE			
FB01-58-612	2	USA, (W/BURGLAR ALARM)			
58-420		HANDLE (R), OUT.			
FB02-58-410B	1	USA, (W/BURGLAR ALARM)			
PZ		PZ BRILLIANT BLACK			
SQ		SQ BLAZE RED			
UC		UC CRYSTAL WHITE			
WY		WY NOBLE WHITE			
1F		1F WINNING SILVER M.			
3G		3G SHADOW SILVER METALL			
5D		5D HARBOR BLUE M.			
6H		6H MELLOW BURGUNDY MC			
58-420Z		HANDLE (L), OUT.			
FB02-59-410B	1	GTU, GTUS, (W/O KEY ILLUMI.)			
PZ		PZ BRILLIANT BLACK			
SQ		SQ BLAZE RED			
UC		UC CRYSTAL WHITE			
WY		WY NOBLE WHITE			
1F		1F WINNING SILVER M.			

AUFA02

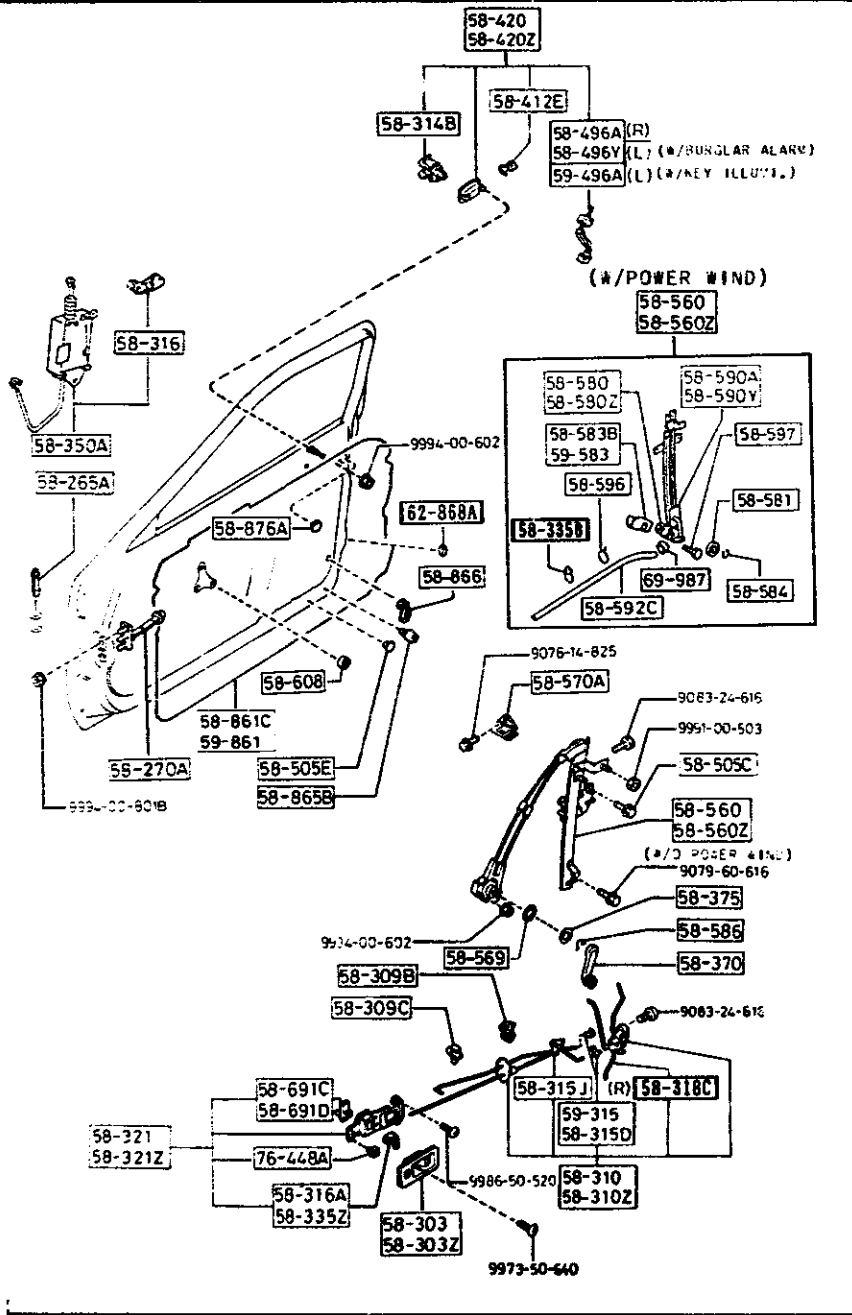
CAT. AUFA02-06

1992-05

3-M14

5830 FRONT DOOR MECHANISMS (COUPE)

5830 -4 FRONT DOOR MECHANISMS (COUPE)



PART NO.	QTY	MODEL/RESTRICTION	MODEL/RESTRICTION	MODEL/RESTRICTION	FROM-TO
CONT'D					
3G		3G SHADOW SILVER METALL			
5D		5D HARBOR BLUE M.			
6H		6H MELLOW BURGUNDY MC			
FB06-59-410C	1	GXL, TURBO, (W/KEY ILLUM.)			
PZ		PZ BRILLIANT BLACK			
SG		SG BLAZE RED			
UC		UC CRYSTAL WHITE			
WY		WY NOBLE WHITE			
1F		1F WINNING SILVER M.			
3G		3G SHADOW SILVER METALL			
5D		5D HARBOR BLUE M.			
6H		6H MELLOW BURGUNDY MC			
		58-496A			
FB03-58-496	1	SWITCH(R), LOCK-CYLINDER USA, (W/BURGLAR ALARM)			
		58-496Y			
FB03-59-496	1	SWITCH(L), LOCK-CYLINDER USA, (W/BURGLAR ALARM)			
		58-505C			
8092-58-505	4	SCREW, WINDOW REGULATOR USA, (W/BURGLAR ALARM)			
		58-505E			
8092-58-355	1	CAP			
		58-560			
FB01-58-560E	1	REGULATOR(R), WINDOW GTU, GTUS, (N/O POWER WIND.)			
FB05-58-560J	1	GXL, TURBO, (W/POWER WIND.)			

AUFA02

CAT. AUFA02-06

1992-05

3-N14

SECTION NAME INDEX (BODY)1/2

LO.NO	SEC.NO	SECTION NAME	LO.NO	SEC.NO	SECTION NAME	LO.NO	SEC.NO	SECTION NAME
3-C03	0900	KEY SETS	3-J09	5390	FLOOR ATTACHMENTS			
3-F03	5000	FRONT BUMPER	3-C10	5500	DASHBOARD EQUIPMENTS			
3-H03	5010	REAR BUMPER	3-F10	5520	METER HOOD			
3-J03	5020	HEAD LAMP CLEANER	3-G10	5530	SPEEDOMETER CABLE			
3-L03	5030	WINDOW MULDINGS	3-H10	5540	METER COMPONENTS			
3-M03	5040	BODY MULDINGS (COUPE)	3-J10	5560	DASHBOARD & RELATED PARTS			
3-E04	5060	SIDE PROTECTORS	3-E11	5570	CONSOLE			
3-I04	5100	HEAD LAMPS	3-H11	5580	VENTILATOR			
3-J04	5103	HEAD LAMP RETRACTORS	3-J11	5700	FRONT SEATS (COUPE)			
3-N04	5105	FRONT COMBINATION LAMPS	3-E13	5700A	FRONT SEATS (CONVERTIBLE)			
3-G05	5110	REAR COMBINATION LAMPS	3-K13	5750	REAR SEATS (COUPE)			
3-K05	5120	LICENSE LAMPS	3-M13	5790	SEAT BELTS (COUPE)			
3-M05	5125	INTERIOR LAMPS	3-C14	5790A	SEAT BELTS (CONVERTIBLE)			
3-N05	5130	OVERHEAD CONSOLE	3-D14	5800	FRONT DOORS (COUPE)			
3-CD6	5170	ORNAMENTS	3-G14	5800A	FRONT DOORS (CONVERTIBLE)			
3-D06	5180	COWL & EXTRACTOR GRILLES						
3-G06	5230	BONNET						
3-J06	5260	TRUNK LID (CONVERTIBLE)	3-K14	5830	FRONT DOOR MECHANISMS (COUPE)			
3-L06	5310	BODY PANELS (FRONT) (COUPE)	3-F15	5830A	FRONT DOOR MECHANISMS (CONVERTIBLE)			
3-C07	5310 A	BODY PANELS (FRONT) (CONVERTIBLE)	3-J15	5840	FRONT DOOR TRIMS & RELATED PARTS (COUPE)			
3-F07	5320	BODY PANELS (FENDER & WHEEL APRON)						
3-K07	5330	BODY PANELS (DASH & COWL PANEL)	3-H16	5840A	FRONT DOOR TRIMS & RELATED PARTS (CONVERTIBLE)			
3-L07	5340	BODY PANELS (SIDE) (COUPE)						
3-E08	5340	BODY PANELS (SIDE) (CONVERTIBLE)						
3-K08	5360	BODY PANELS (ROOF) (W/O SUN ROOF)						
3-L08	5360 A	BODY PANELS (ROOF) (SUN ROOF)						
3-M08	5370	BODY PANELS (FLOOR) (COUPE)						
3-D09	5370 A	BODY PANELS (FLOOR) (CONVERTIBLE)						
3-H09	5380	FLOOR ATTACHMENTS (HOLE COVERS)						

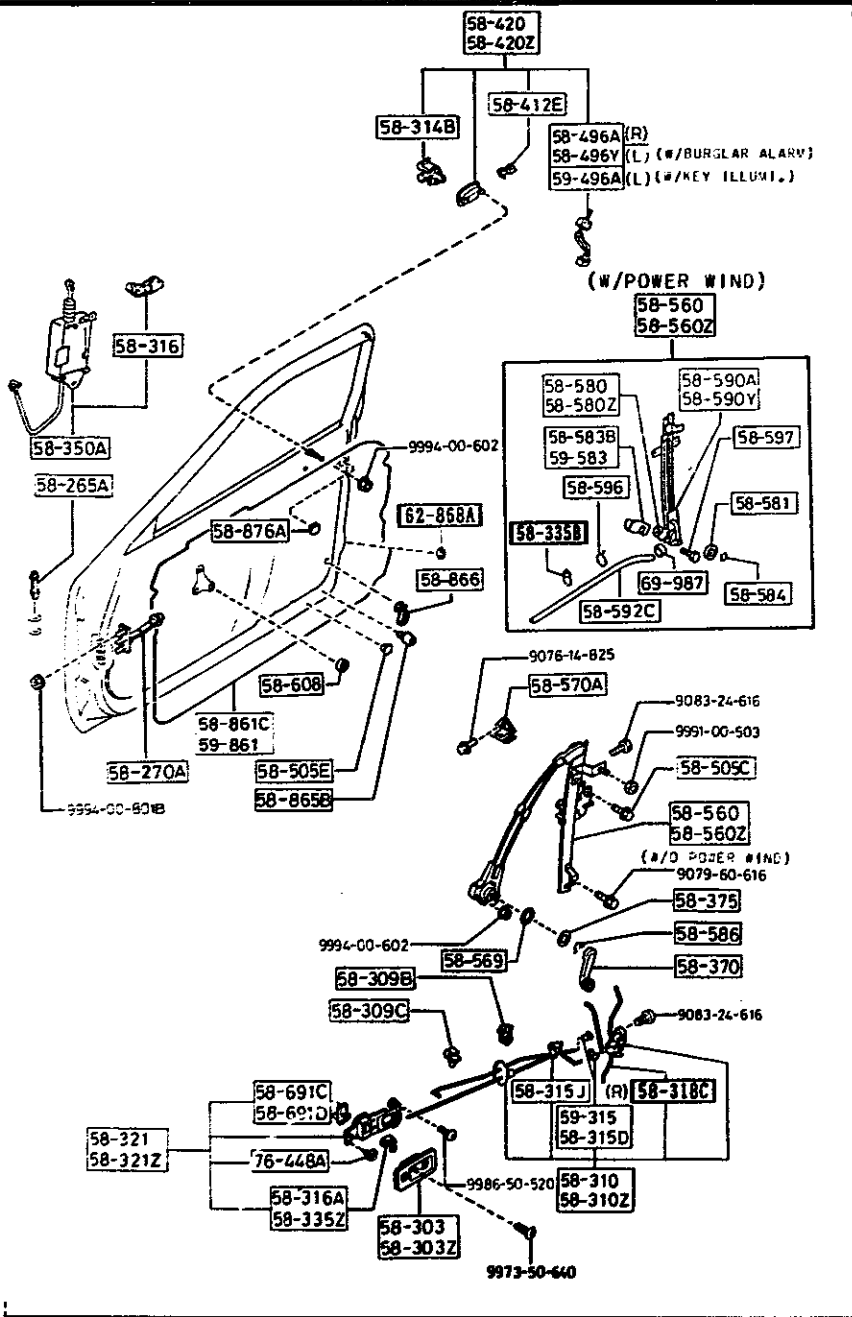
CATLOG-NO= AUFA02-06

DATE. 1992-05

3-B15

5830 FRONT DOOR MECHANISMS (COUPE)

5830 -5 FRONT DOOR MECHANISMS (COUPE)

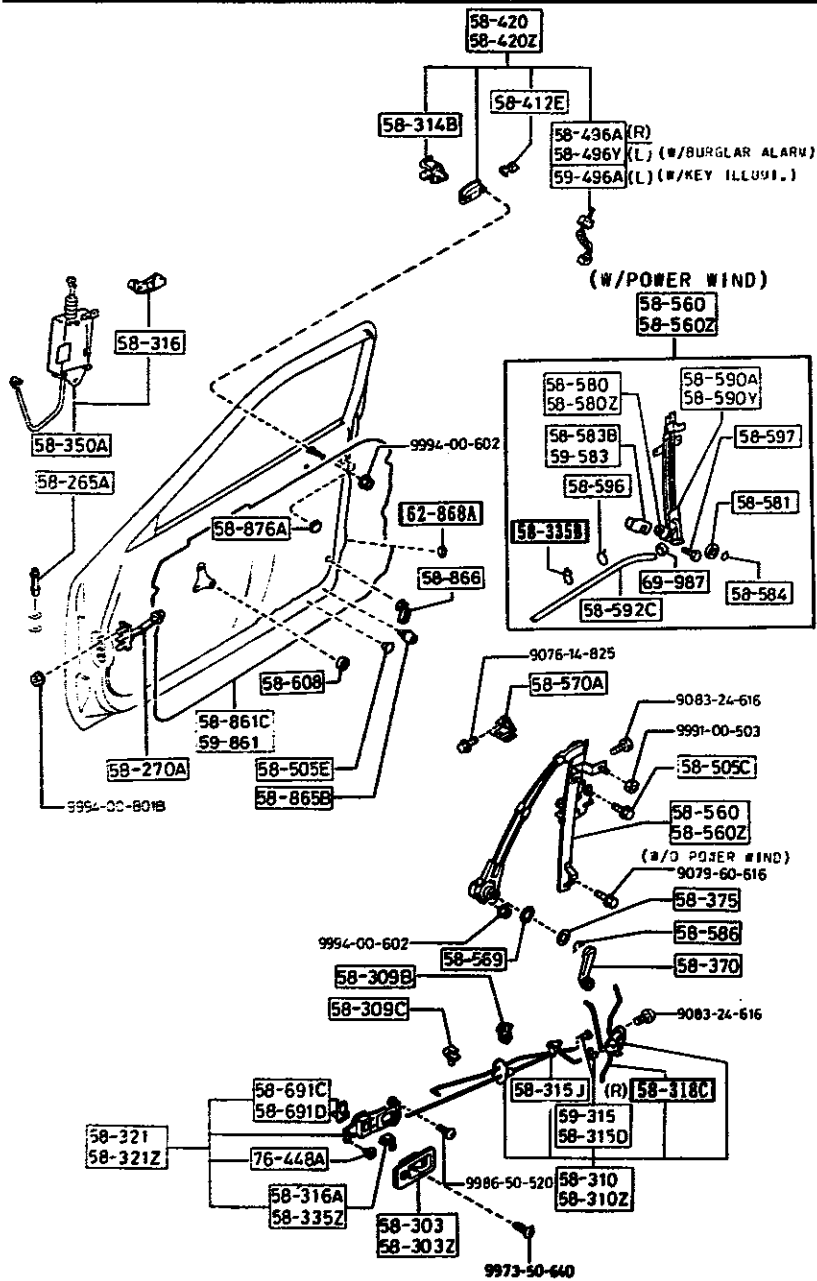


PART NO.	QTY	MODEL/RESTRICTION	MODEL/RESTRICTION	MODEL/RESTRICTION	FROM TO
58-560Z		REGULATOR(L), WINDOW			
FB01-59-560E	1	GTU, GTUS, (W/O POWER WIND.)			
58-569		GASKET, WINDOW REGULATOR			
B092-58-569	2	GTU, GTUS, (W/O POWER WIND.)			-9401
58-570A		STRIKER			
B001-58-361A	2				
58-580		MOTOR(R), WINDOW			
FB05-58-58X	1	GXL, TURBO, (W/POWER WIND.)			
58-580Z		MOTOR(L), WINDOW			
FB05-59-58X	1	GXL, TURBO, (W/POWER WIND.)			
58-581		SPROCKET, REGULATOR GUIDE			
FB05-58-581	2	GXL, TURBO, (W/POWER WIND.)			
58-583B		HOLDER(R), MOTOR-REGULATOR			
FB05-58-583A	1	GXL, TURBO, (W/POWER WIND.)			
58-584		RING* C*, SPROCKET-REGULATOR			
B094-58-584	2	GXL, TURBO, (W/POWER WIND.)			
58-586		RING, SNAP			
B001-58-585	2	GTU, GTUS, (W/O POWER WIND.)			
58-590A		GUIDE(R), REG.-POWER WIND.			
FB05-58-590B	1	GXL, TURBO, (W/POWER WIND.)			
58-590Y		GUIDE(L), REG.-POWER WIND.			
FB05-59-590B	1	GXL, TURBO, (W/POWER WIND.)			

9401 FC3MM-705390

5830 FRONT DOOR MECHANISMS (COUPE)

5830 -6 FRONT DOOR MECHANISMS (COUPE)



PART NO.	QTY	MODEL/RESTRICTION	MODEL/RESTRICTION	MODEL/RESTRICTION	FROM-TO
58-592C		TUBE, REGULATOR GUIDE			
FB05-58-592B	2	GXL, TURBO, (W/POWER WIND.)			
58-596		CLIP, TUBE-REGULATOR GUIDE			
FB05-58-596	4	GXL, TURBO, (W/POWER WIND.)			
58-597		BOLT, COVER-REG. GUIDE			
FB05-58-597	6	GXL, TURBO, (W/POWER WIND.)			
58-608		PAD			
B092-58-863A	2	GTU, GTUS, (W/O POWER WIND.)			
58-691C		KNOB (R), DOOR LOCK			
FB02-58-316A	1	USA, (W/BURGLAR ALARM)			
02		FD8 FE1			
19		FE0 RED			
48		FD9 BLUE			
58-691D		KNOB(L), DOOR LOCK			
FB02-59-316A	1	USA, (W/BURGLAR ALARM)			
02		FD8 FE1 BLACK			
19		FE0 RED			
48		FD9 BLUE			
58-861C		SCREEN(R), FRONT DOOR			
FC02-58-861A	1	GTU, GTUS, (W/O POWER WIND.)			
FC04-58-861	1	GXL, TURBO, (W/POWER WIND.)			
58-865B		CUSHION, RUBBER			
G067-58-873	2				
58-866		CLIP			
B038-58-866	2				

AUFA02

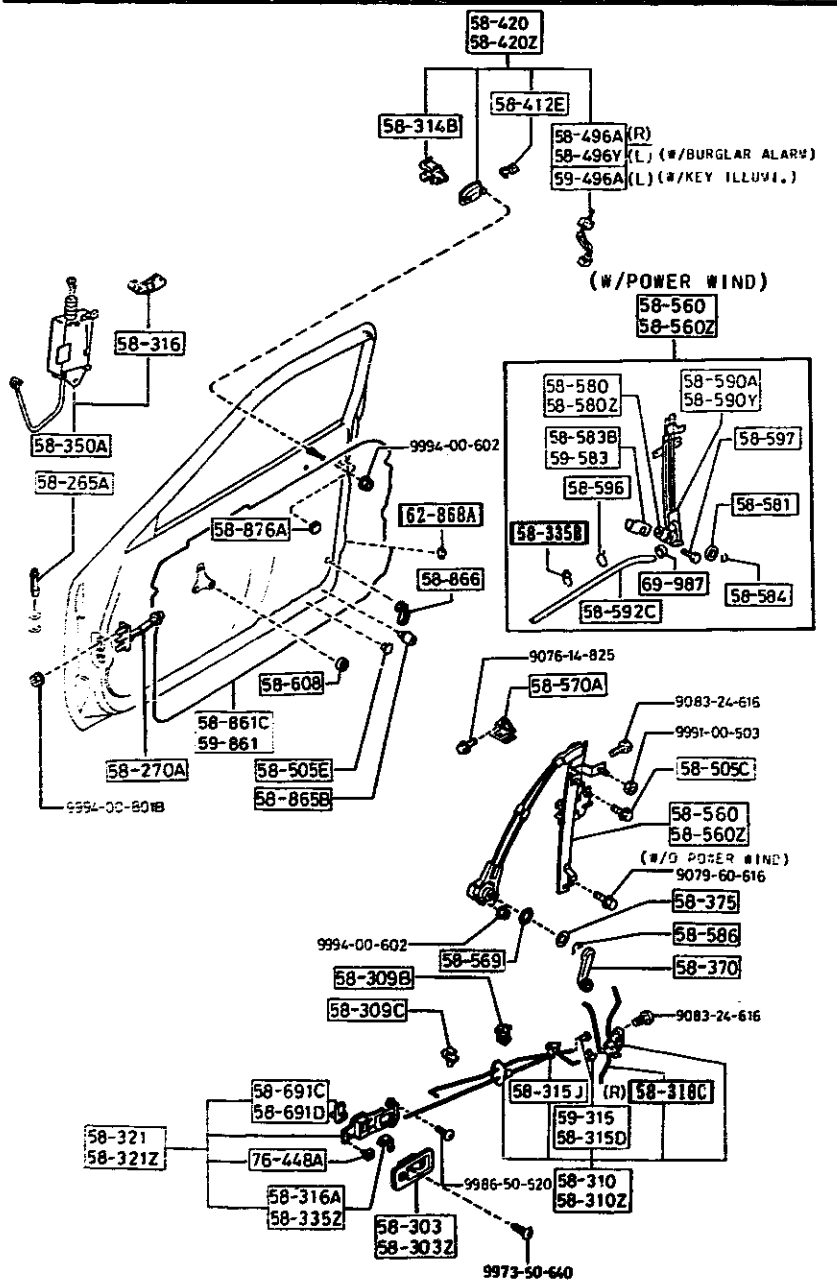
CAT. AUFA02-06

1992-05

3-D15

5830 FRONT DOOR MECHANISMS (COUPE)

5830 -7 * FRONT DOOR MECHANISMS (COUPE)



PART NO.	QTY	MODEL/RESTRICTION	MODEL/RESTRICTION	MODEL/RESTRICTION	FRONT TO
58-876A		COVER, DOOR BODY			
FB01-58-876	2				
59-315		CLIP			
GD30-59-315	4	GTU, GTUS, (W/O POWER WIND.)			
	5	GXL, TURBO, (W/POWER WIND.)			
59-496A		HARNES(L), ILLUMI. SWITCH			
F806-59-496	1	GXL, TURBO, (W/KEY ILLUMI.)			
59-583		HOLDER(L), MOTER-REGULATOR			
F805-59-583A	1	GXL, TURBO, (W/POWER WIND.)			
59-861		SCREEN(L), FRONT DOOR			
FC02-59-861A	1	GTU, GTUS, (W/O POWER WIND.)			
FC04-59-862	1	GXL, TURBO, (W/POWER WIND.)			
62-868A		COVER, HOLE-LIFT GATE			
B499-62-868	2				
69-987		BAND			
B094-58-593	2	GXL, TURBO, (W/POWER WIND.)			
76-448A		CLIP			
GE30-76-448	2	USA, (W/BURGLAR ALARM)			

AUFA02

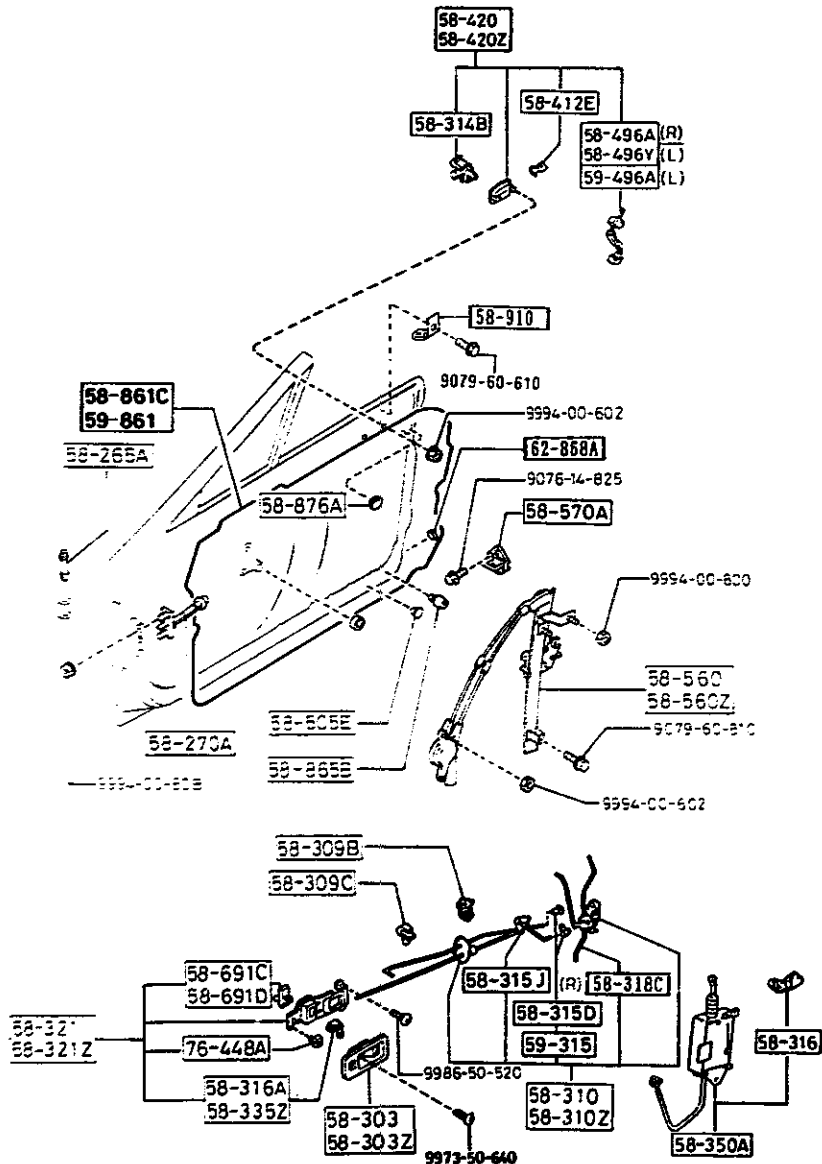
CAT. AUFA02-06

1992-05

3-E15

5830A FRONT DOOR MECHANISMS
(CONVERTIBLE)

5830A -1 FRONT DOOR MECHANISMS
(CONVERTIBLE)



PART NO.	QTY	MODEL/RESTRICTION	MODEL/RESTRICTION	MODEL/RESTRICTION	FROM-TO
58-265A		PIN,CHECKER			
H260-58-265C	2				
58-270A		CHECKER,DOOR			
FB01-58-270B	2				
58-303		COVER(R),IN.HANDLE			
FB01-58-303B	1				
02		FD8 FE1 BLACK			
48		FD9 BLUE			
58-303Z		COVER(L),IN.HANDLE			
FB01-59-303B	1				
02		FD8 FE1 BLACK			
48		FD9 BLUE			
58-309B		HOLDER(UP.),ROD-IN.HANDLE			
FB02-58-309	2				
58-309C		HOLDER(LOW),ROD-IN.HANDLE			
FB01-58-309A	2				
58-310		LOCK(R),DOOR			
FB06-58-310A C (FB05-58-310A)	1				-9216
FB05-58-310A	1				9216-
58-310Z		LOCK(L),DOOR			
FB05-59-310A	1				
58-314B		JOINT			
H043-72-411	2				
58-315D		CLIP (R)			
G030-58-315	5				
58-315J		CLIP			
H001-58-315	2				
58-316		CLIP			
FB06-58-310A C FB05-58-310A G030-58-315 FB05-58-316			9216 FC3MM-703396		

AUFA02

CAT. AUFA02-06

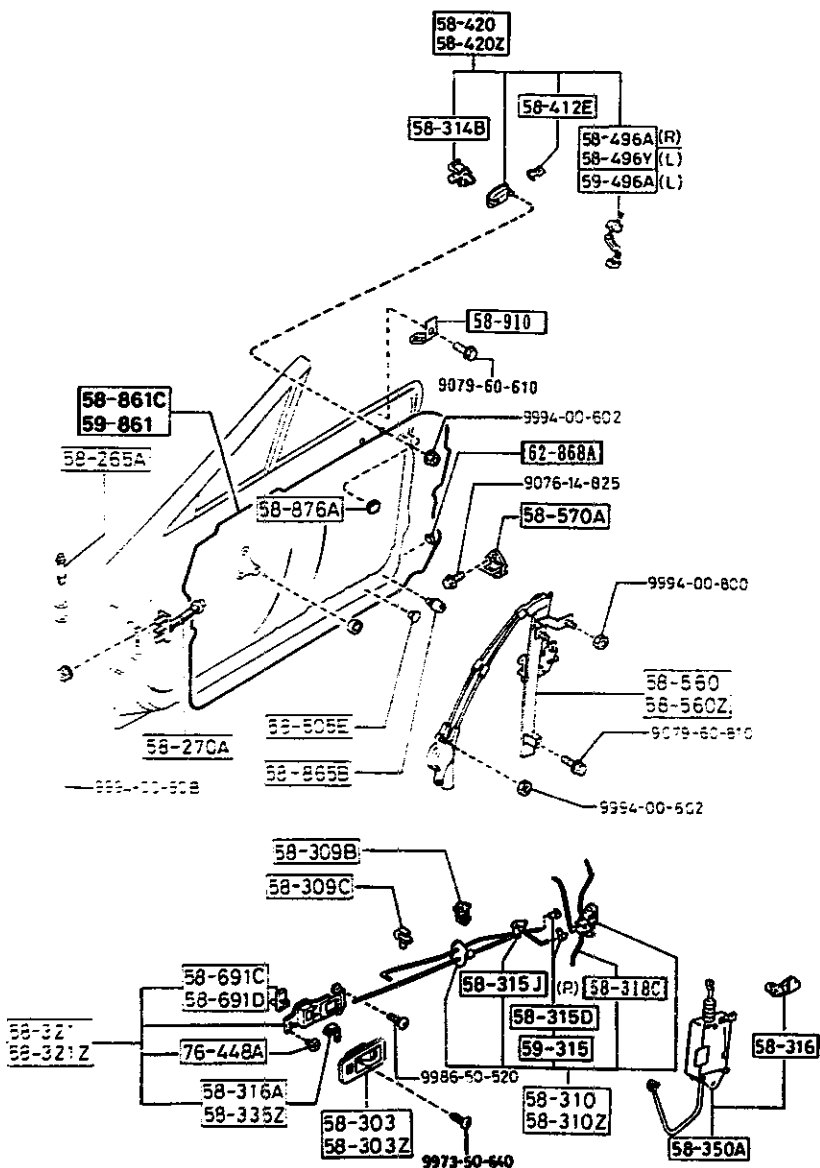
1992-05

3-F15

5830A FRONT DOOR MECHANISMS
(CONVERTIBLE)

5830A -2 FRONT DOOR MECHANISMS
(CONVERTIBLE)

FROM-TO



PART NO.	QTY	MODEL/RESTRICTION	MODEL/RESTRICTION	MODEL/RESTRICTION	FROM-TO
CONT'D					
B093-58-351	1				
58-316A		CLIP			
B001-59-335	1				
58-318C		ROD(R), DOOR LOCK-POWER			9216-
FB05-58-318	1				
58-321		HANDLE(R), INNER			
FB02-58-330A	1				
02		FD8 FE1 BLACK			
48		FD9 BLUE			
58-321Z		HANDLE(L), INNER			
FB02-59-330A	1				
02		FD8 FE1 BLACK			
48		FD9 BLUE			
58-335Z		CLIP(L), INNER HANDLE			
FB01-58-335	1				
58-350A		ACTUATOR(R), POWER LOCK			
FB06-58-350A	1				
58-412E		CLIP, HARNESS-OUT. HANDLE			
FB01-58-412	2				
58-420		HANDLE(R), OUT.			
FB02-58-410B	1				
PZ		PZ BRILLIANT BLACK			
SQ		SQ BLAZE RED			
UC		UC CRYSTAL WHITE			
WY		WY NOBLE WHITE			
1F		1F WINNING SILVER M.			
3G		3G SHADOW SILVER METALL			
5D		5D HARBOR BLUE M.			
58-420Z		HANDLE(L), OUT.			

9216 FCSNN-703396

-9901

9901-

1992-05

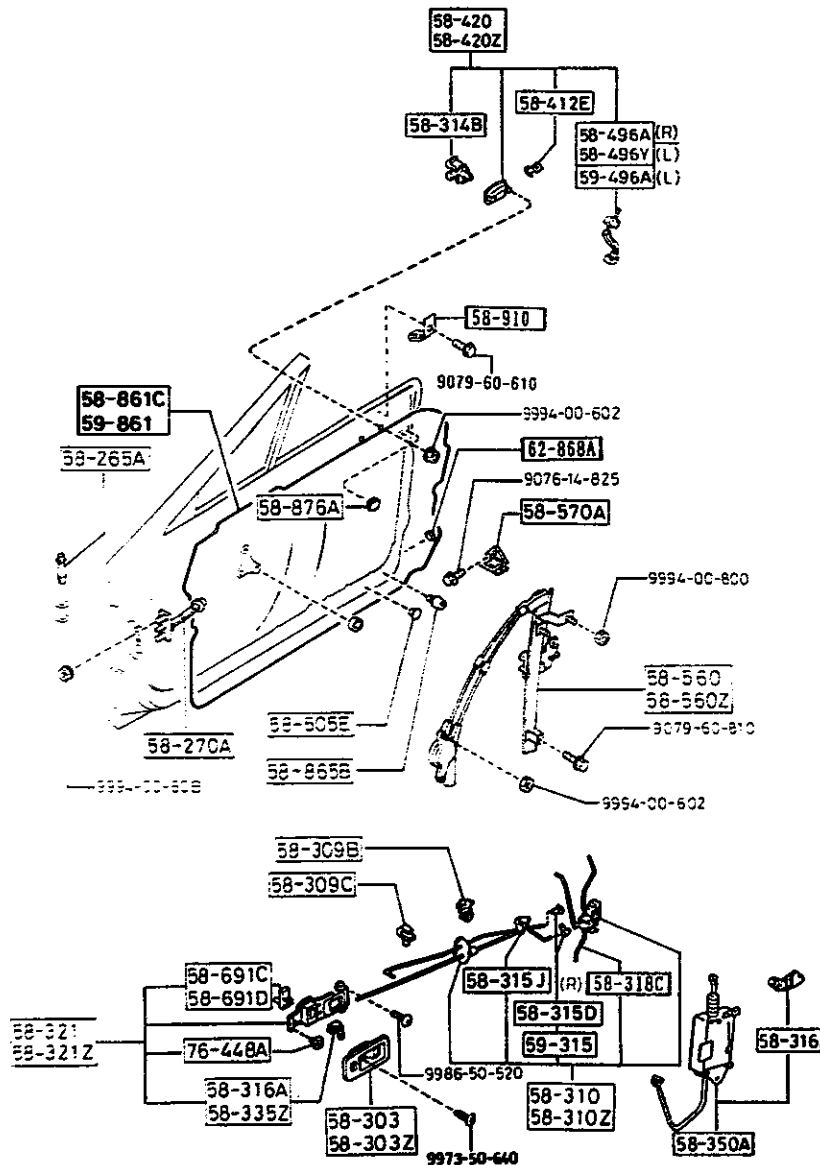
AUFA02

CAT. AUFA02-06

1992-05

5830A FRONT DOOR MECHANISMS (CONVERTIBLE)

5830A -3 FRONT DOOR MECHANISMS (CONVERTIBLE)



PART NO.	QTY	MODEL/RESTRICTION	MODEL/RESTRICTION	MODEL/RESTRICTION	FROM-TO
CONT'D					
FB06-59-410C	1				
PZ		PZ BRILLIANT BLACK			
SQ		SQ BLAZE RED			
UC		UC CRYSTAL WHITE			
WY		WY NOBLE WHITE			
1F		1F WINNING SILVER M.			
3G		3G SHADOW SILVER METALL			
5D		5D HARBOR BLUE M.			
58-496A		SWITCH(R), LOCK-CYLINDER			
FB03-58-496	1				
58-496Y		SWITCH(L), LOCK-CYLINDER			
FB03-59-496	1				
58-505E		CAP			
B092-58-355	1				
58-560		REGULATOR(R), WINDOW			
FB67-58-560C AN(FB67-58-560E)	1				-0319
*FB67-58-560E	1				0319-
58-560Z		REGULATOR(L), WINDOW			
FB67-59-560C AN(FB67-59-560E)	1				-0319
*FB67-59-560E	1				0319-
58-570A		STRIKER			
B001-58-361A	2				
58-691C		KNOB (R), DOOR LOCK			
F802-58-316A	1				
02		F08 FE1			
48		F09 BLUE			
58-691D		KNOB(L), DOOR LOCK			
F802-59-316A	1				
02		F08 FE1 BLACK			
0319 FC3***-806556					

AUFA02

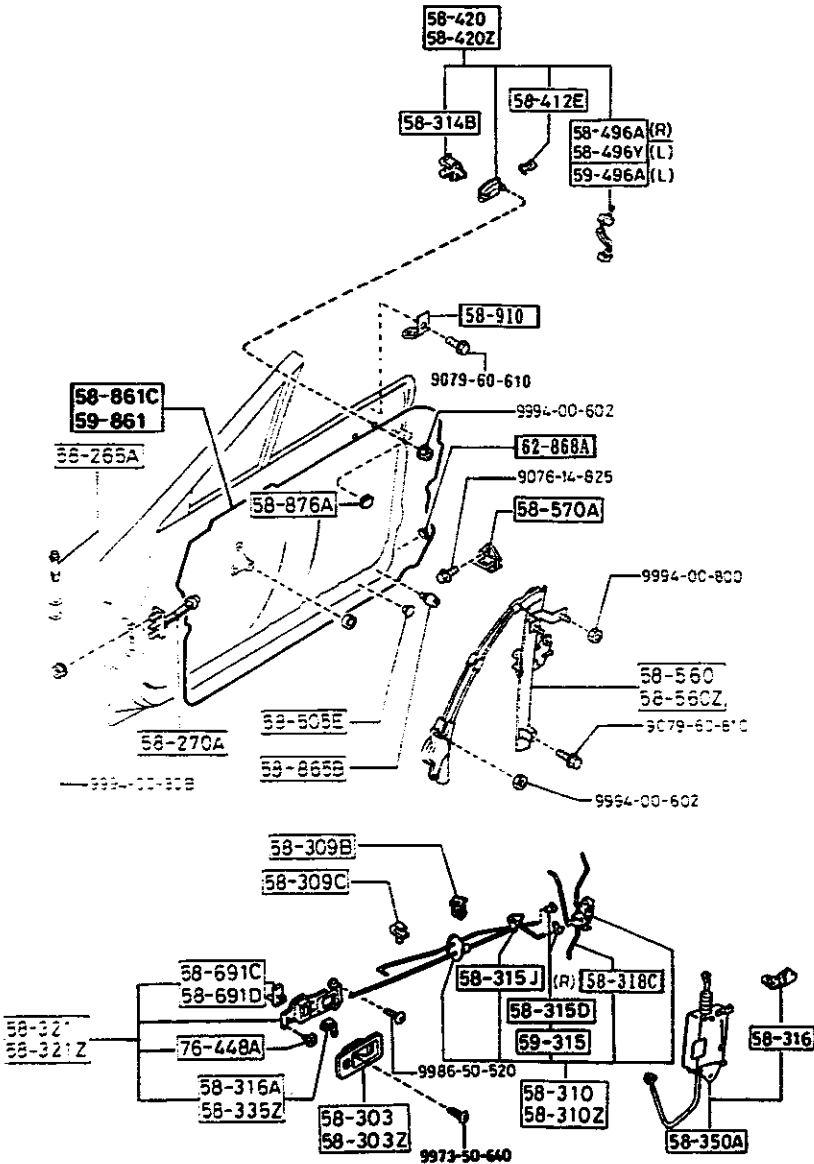
CAT. AUFA02-06

1992-05

3-H15

5830A FRONT DOOR MECHANISMS (CONVERTIBLE)

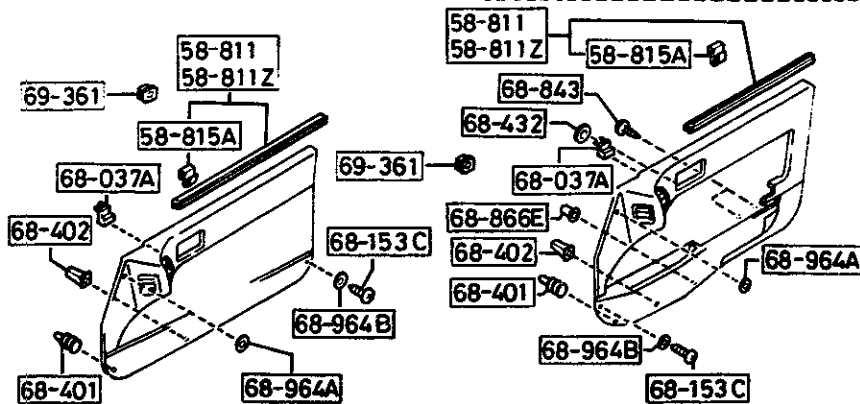
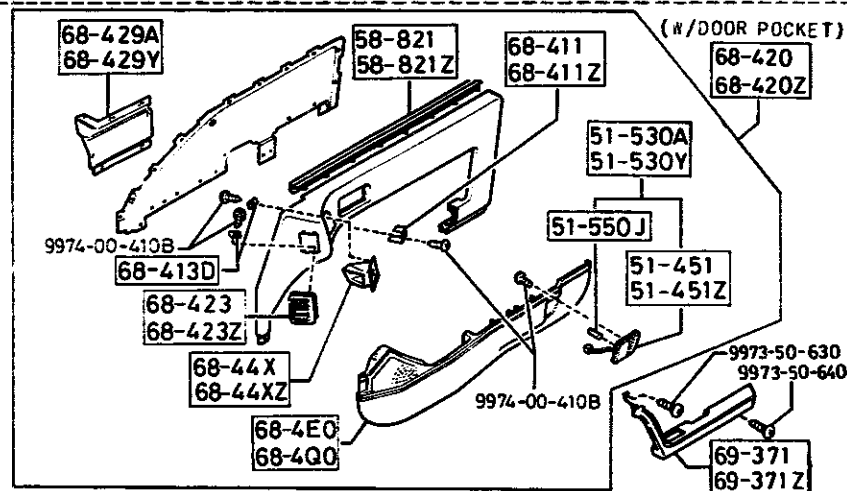
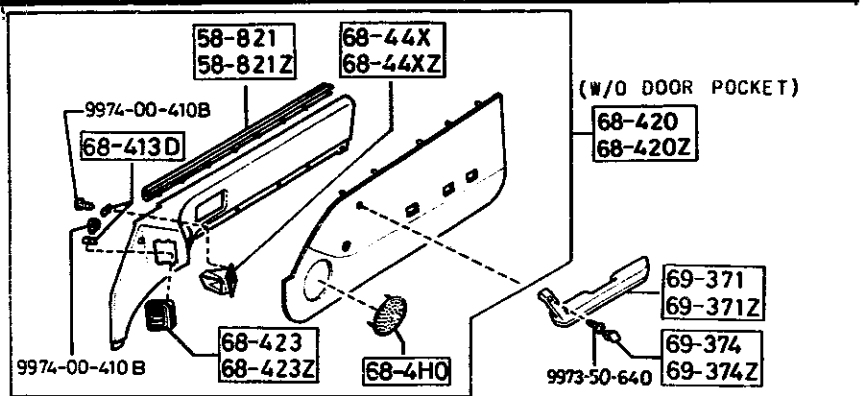
5830A -4 * FRONT DOOR MECHANISMS (CONVERTIBLE)



PART NO.	QTY	MODEL/RESTRICTION	MODEL/RESTRICTION	MODEL/RESTRICTION	FROM-TO
CONT'D					
48		FD9 BLUE			
58-861C		SCREEN(R), FRONT DOOR			
FB70-58-861	1				
58-865B		CUSHION, RUBBER			
G067-58-873	2				
58-876A		COVER, DOOR BODY			
FB01-58-876	2				
58-910		STOPPER, GLASS			
H272-58-911	2				
59-315		CLIP			
G030-59-315	5				
59-496A		HARNES(L), ILLUMI. & SWITCH			
FB06-59-496	1				
59-861		SCREEN(L), FRONT DOOR			
FB70-59-861	1				
62-868A		COVER, HOLE-LIFT GATE			
B499-62-868	2				
76-448A		CLIP			
G030-76-448	2				

5840 FRONT DOOR TRIMS & RELATED PARTS
(COUPE)

5840 -1 FRONT DOOR TRIMS & RELATED PARTS
(COUPE)



PART NO.	QTY	MODEL/RESTRICTION	MODEL/RESTRICTION	MODEL/RESTRICTION	FROM TO
51-451		LENS(R), COURTESY LAMP			
FB05-51-531	1	GXL, TURBO, (W/COURTESY LAMP)			
51-451Z		LENS(L), COURTESY LAMP			
FB05-51-591	1	GXL, TURBO, (W/COURTESY LAMP)			
51-530A		LAMP(R), COURTESY-DR TRIM			
FB05-51-530	1	GXL, TURBO, (W/COURTESY LAMP)			
51-530Y		LAMP(L), COURTESY-DR TRIM			
FB05-51-590	1	GXL, TURBO, (W/COURTESY LAMP)			
51-550J		BULB			
99701-6040	2	12V 3.8W GXL, TURBO, (W/COURTESY LAMP)			
58-811		WEATHERSTRIP(R), OUT.			
FB01-58-810	1				
58-811Z		WEATHERSTRIP(L), OUT.			
FB01-59-810	1				
58-815A		CLIP, WEATHERSTRIP-OUTER			
FB01-58-815	12				
58-821		WEATHERSTRIP(R), INN.			
FB01-58-821	1				
58-821Z		WEATHERSTRIP(L), INN.			
FB01-59-821	1				
68-037A		GROMMET, SCREW			
FB01-68-403	2				
68-153C		SCREW, TAPPING			
FB01-68-425	2				
02		FD8 FE1 BLACK			
19		FE0 RED			

AUFA02

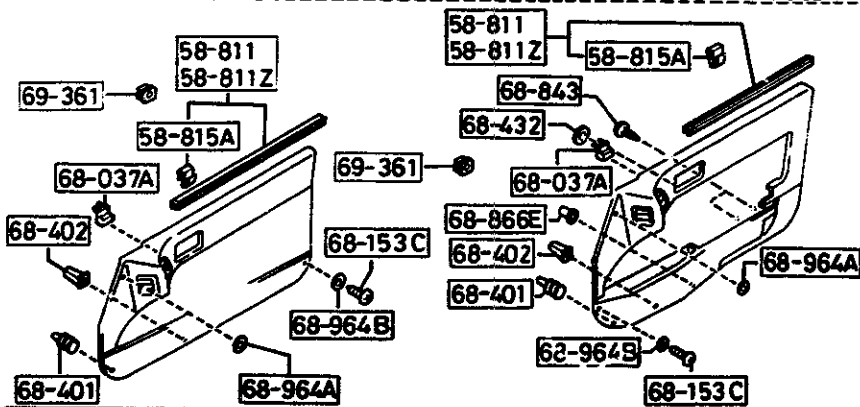
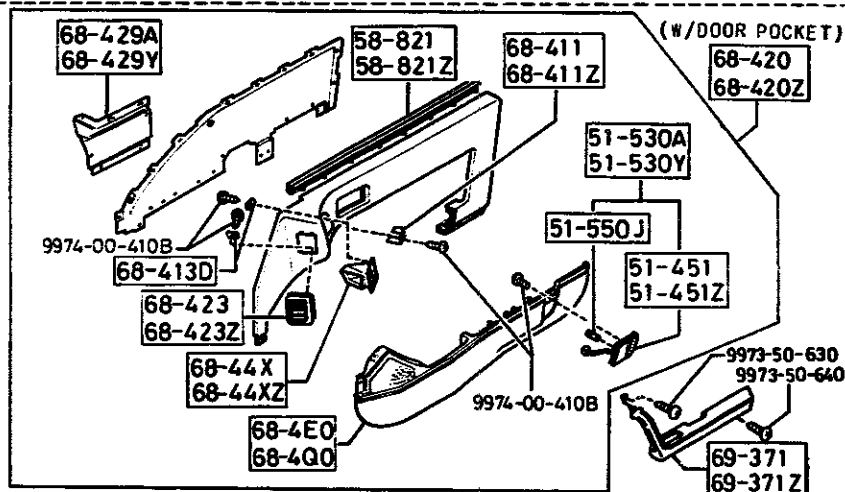
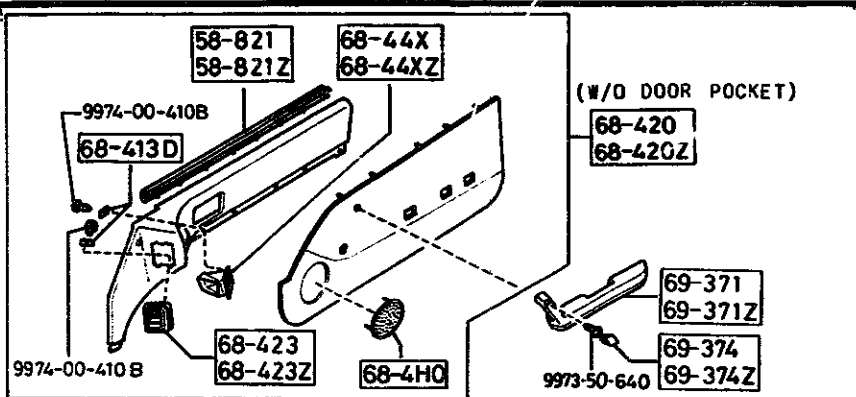
CAT. AUFA02-06

1992-05

3-J15

5840 FRONT DOOR TRIMS & RELATED PARTS (COUPE)

5840 -2 FRONT DOOR TRIMS & RELATED PARTS (COUPE)



PART NO.	QTY	MODEL/RESTRICTION	MODEL/RESTRICTION	MODEL/RESTRICTION	FROM-TO
CONT'D					
48		FD9 BLUE			
		68-4E0	PLATE(R), KICK-D. TRIM		
FC04-68-4E0 A (FC04-68-4E0A)	1				-9113
02		FD8 BLACK			
19		FE0 RED			
48		FD9 BLUE			
FC04-68-4E0A A (FC04-68-4E0B)	1				9113-9701
02		FD8 BLACK			
19		FE0 RED			
48		FD9 BLUE			
FC04-68-4E0B	1	GXL, TURBO, (W/DOOR POCKET)			9701-
02		FD8 BLACK			
19		FE0 RED			
48		FD9 BLUE			
		68-4H0	GRILLE, SPEAKER-FRT		
FC01-68-4H0A	2	GTU, GTUS, (W/O DOOR POCKET)			
02		FD8 BLACK			
19		FE0 RED			
48		FD9 BLUE			
		68-4Q0	PLATE(L), KICK-D. TRIM		
FC04-68-4Q0 A (FC04-68-4Q0A)	1				-9113
02		FD8 BLACK			
19		FE0 RED			
48		FD9 BLUE			
FC04-68-4Q0A A (FC04-68-4Q0B)	1				9113-9701
02		FD8 BLACK			
19		FE0 RED			
48		FD9 BLUE			
FC04-68-4Q0B	1	GXL, TURBO, (W/DOOR POCKET)			9701-
9113 FC3***-700067 9701 FC3***-709151					

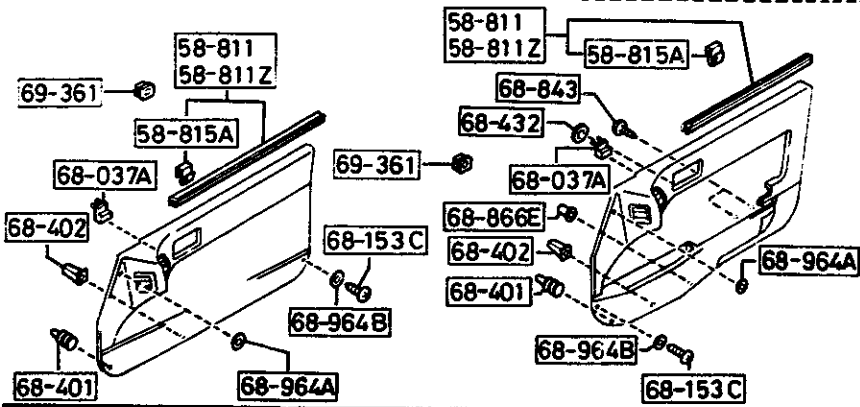
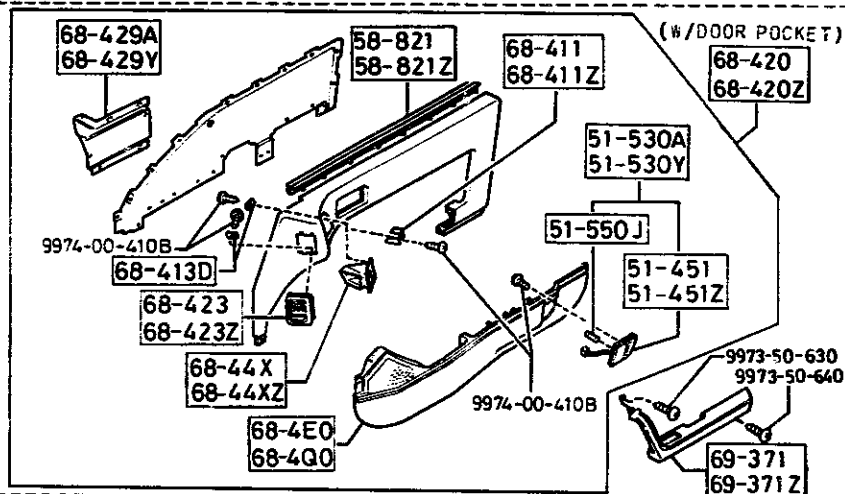
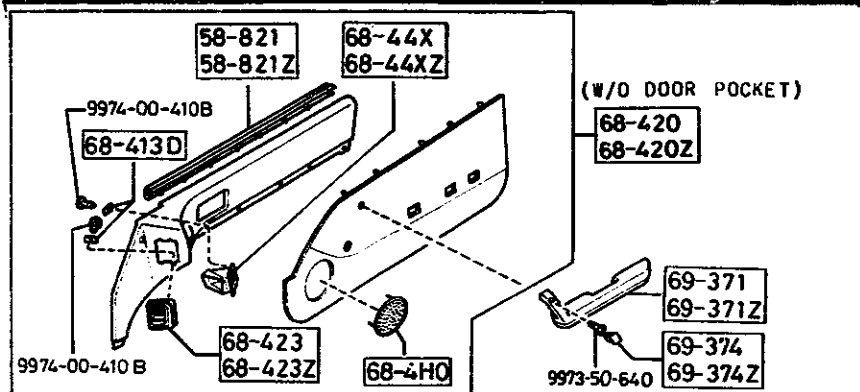
CAT. AUFA02-06

1992-05

3-K15

5840 FRONT DOOR TRIMS & RELATED PARTS (COUPE)

5840 -3 FRONT DOOR TRIMS & RELATED PARTS (COUPE)



PART NO.	QTY	MODEL/RESTRICTION	MODEL/RESTRICTION	MODEL/RESTRICTION	FROM-TO
CONT'D					
02		FD8 BLACK			
19		FE0 RED			
48		FD9 BLUE			
		68-401	FASTENER, DOOR TRIM		
B100-68-401	18				
		68-402	GROMMET, SCREW		
FA54-68-402	8				
		68-411	BRKT NO.1(R), GRILLE-TRIM		
FB01-68-414	1		GXL, TURBO, (W/DOOR POCKET)		
		68-411Z	BRKT NO.1(L), GRILLE-TRIM		
FB01-68-415	1		GXL, TURBO, (W/DOOR POCKET)		
		68-413D	WASHER		
FB01-68-413	10				
		68-420	TRIM(R), DOOR		
FC01-68-420A	1				-9113
A (FC01-68-420B)					
02		FD8 BLACK			
19		FE0 RED			
48		FD9 BLUE			
FC02-68-420A	1				-9113
A (FC02-68-420B)					
02		FD8 BLACK			
19		FE0 RED			
48		FD9 BLUE			
FC04-68-420	1				-9113
A (FC04-68-420A)					
02		FD8 BLACK			
19		FE0 RED			
48		FD9 BLUE			
FC06-68-420	1				-9113
A (FC06-68-420A)					
02		FD8 BLACK			
9113 FC3MM-700067					

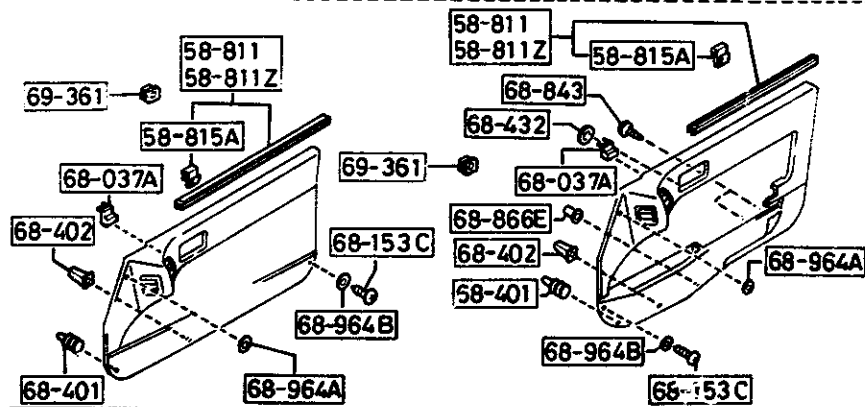
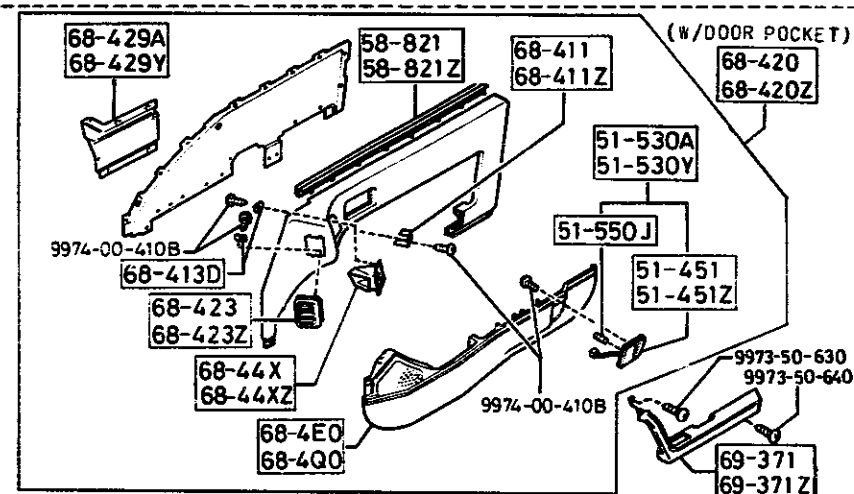
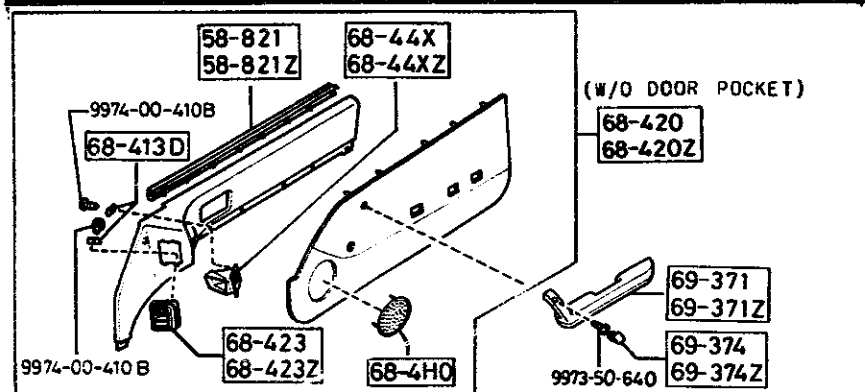
CAT. AUFA02-06

1992-05

3-L15

5840 FRONT DOOR TRIMS & RELATED PARTS (COUPE)

5840 -4 FRONT DOOR TRIMS & RELATED PARTS (COUPE)



PART NO.	QTY	MODEL/RESTRICTION	MODEL/RESTRICTION	MODEL/RESTRICTION	FROM-TO
CONT'D					
19		FE0 RED			
48		FD9 BLUE			
FC17-68-420	1				9113
A (FC17-68-420A)					
02		FD8 BLACK			
48		FD9 BLUE			
FC01-68-420B	1				9113-9116
A (FC01-68-420C)					
02		FD8 BLACK			
19		FE0 RED			
48		FD9 BLUE			
FC02-68-420B	1				9113-9116
A (FC02-68-420C)					
02		FD8 BLACK			
19		FE0 RED			
48		FD9 BLUE			
FC04-68-420A	1				9113-9307
A (FC04-68-420B)					
02		FD8 BLACK			
19		FE0 RED			
48		FD9 BLUE			
FC06-68-420A	1				9113-9307
A (FC06-68-420B)					
02		FD8 BLACK			
19		FE0 RED			
48		FD9 BLUE			
FC17-68-420A	1				9113-9307
A (FC17-68-420B)					
02		FD8 BLACK			
48		FD9 BLUE			
FC01-68-420C	1				9116-9307
A (FC01-68-420D)					
02		FD8 BLACK			
19		FE0 RED			
48		FD9 BLUE			
FC02-68-420C	1				9116-9307
A (FC02-68-420D)					
02		FD8 BLACK			
9113 FC3***-700067					
9116 FC3***-700111					
9307 FC3***-704676					

AUFA02

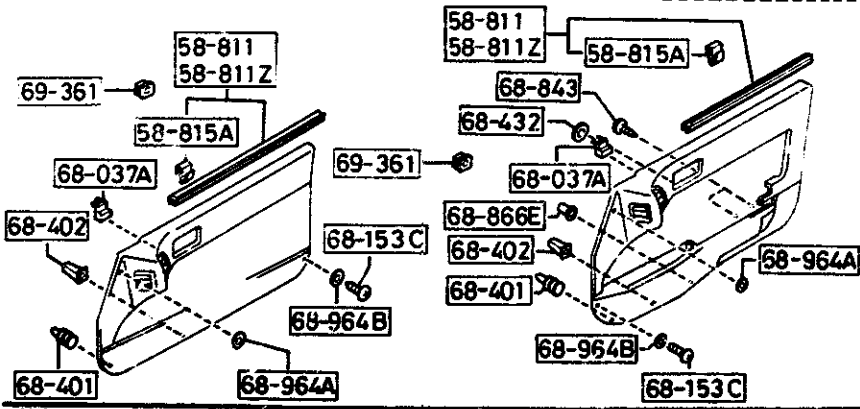
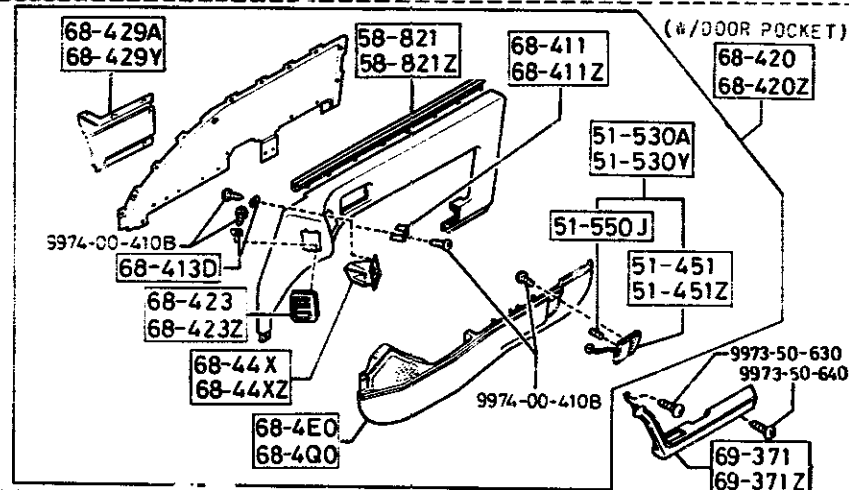
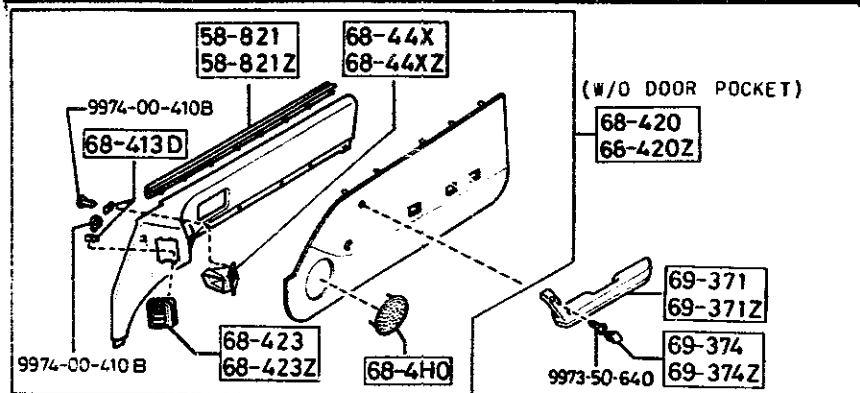
CAT. AUFA02-06

1992-05

3-M15

5840 FRONT DOOR TRIMS & RELATED PARTS (COUPE)

5840 -5 FRONT DOOR TRIMS & RELATED PARTS (COUPE)



PART NO.	QTY	MODEL/RESTRICTION	MODEL/RESTRICTION	MODEL/RESTRICTION	FROM TO
CONT'D					
19		FEO RED			
48		FD9 BLUE			
FC01-68-420D	1	GTU. (CLOTH-'A', W/O POCKET)			9307-
02		F08 BLACK			
19		FEO RED			
48		FD9 BLUE			
FC02-68-420D	1	GTUS. (CLOTH-'D', W/O POCKET)			9307-
02		F08 BLACK			
19		FEO RED			
48		FD9 BLUE			
FC04-68-420B	1	GXL. (CLOTH-F021X, W/POCKET)			9307-
02		F08 BLACK			
19		FEO RED			
48		FD9 BLUE			
FC06-68-420B	1	GXL-OPT. TURBD.-OPT. (LEATHER, W/POCKET)			9307-
02		F08 BLACK			
* 19		FEO RED			
48		FD9 BLUE			
FC17-68-420B	1	TURBD. (CLOTH-F024X, W/POCKET)			9307-
02		F08 BLACK			
48		FD9 BLUE			
		68-420Z	TRIM(L), DOOR		
FC01-68-450A A (FC01-68-450B)	1				-9113
02		F08 BLACK			
19		FEO RED			
48		FD9 BLUE			
FC02-68-450A A (FC02-68-450B)	1				-9113
02		F08 BLACK			

9113 FC3MM-70067
9307 FC3MM-706476

CAT. AUF02-06

1992-05

3-N15

SECTION NAME INDEX (BODY)1/2

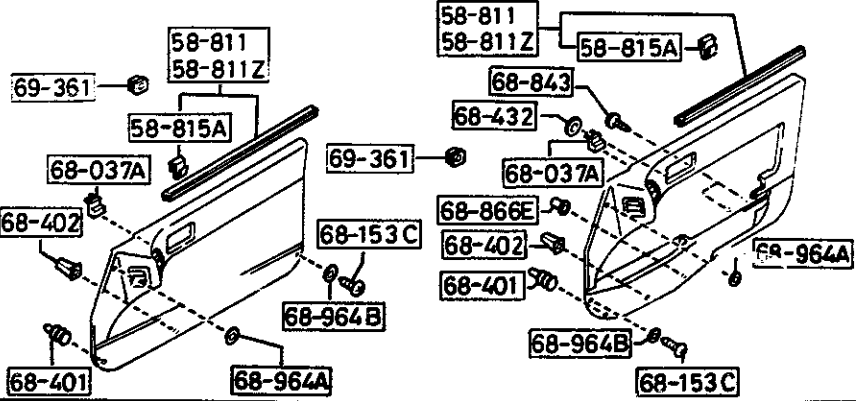
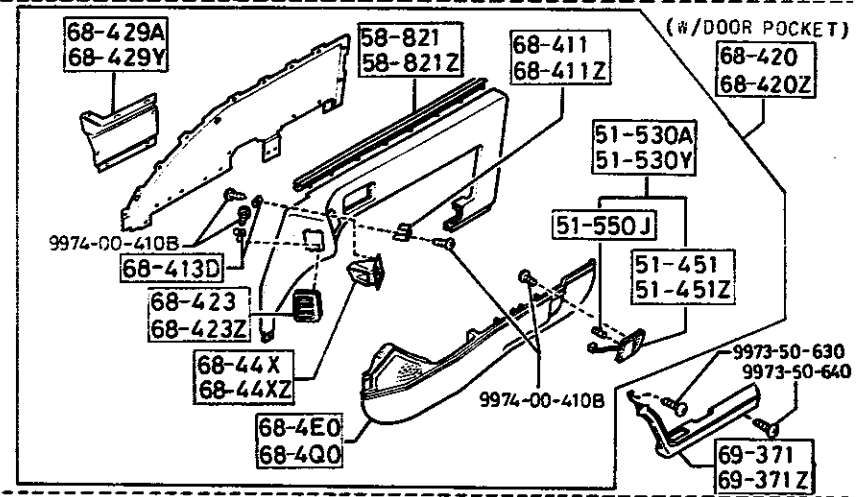
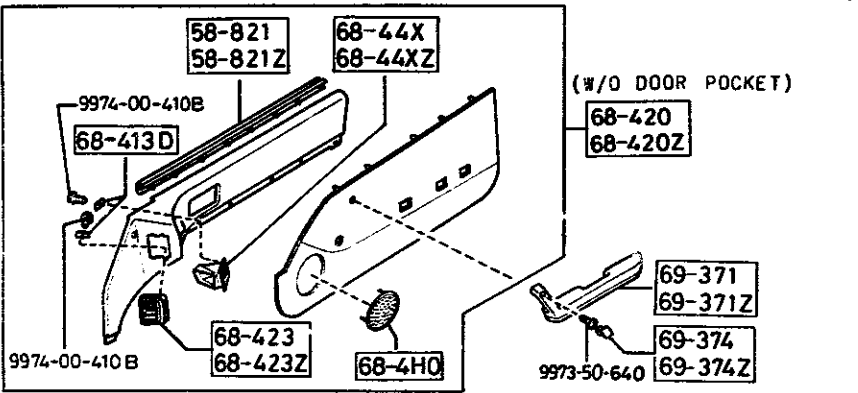
LO.NO	SEC.NO	SECTION NAME	LO.NO	SEC.NO	SECTION NAME	LO.NO	SEC.NO	SECTION NAME
3-C03	0900	KEY SETS	3-J09	5390	FLOOR ATTACHMENTS			
3-F03	5000	FRONT BUMPER	3-C10	5500	DASHBOARD EQUIPMENTS			
3-H03	5010	REAR BUMPER	3-F10	5520	METER HOOD			
3-J03	5020	HEAD LAMP CLEANER	3-G10	5530	SPEEDOMETER CABLE			
3-L03	5030	WINDOW MOULDINGS	3-H10	5540	METER COMPONENTS			
3-M03	5040	BODY MOULDINGS (COUPE)	3-J10	5560	DASHBOARD & RELATED PARTS			
3-E04	5060	SIDE PROTECTORS	3-E11	5570	CONSOLE			
3-I04	5100	HEAD LAMPS	3-H11	5580	VENTILATOR			
3-J04	5103	HEAD LAMP RETRACTORS	3-J11	5700	FRONT SEATS (COUPE)			
3-N04	5105	FRONT COMBINATION LAMPS	3-E13	5700A	FRONT SEATS (CONVERTIBLE)			
3-G05	5110	REAR COMBINATION LAMPS	3-K13	5750	REAR SEATS (COUPE)			
3-K05	5120	LICENSE LAMPS	3-M13	5790	SEAT BELTS (COUPE)			
3-M05	5125	INTERIOR LAMPS	3-C14	5790A	SEAT BELTS (CONVERTIBLE)			
3-N05	5130	OVERHEAD CONSOLE	3-D14	5800	FRONT DOORS (COUPE)			
3-C06	5170	ORNAMENTS	3-G14	5800A	FRONT DOORS (CONVERTIBLE)			
3-D06	5180	COWL & EXTRACTOR GRILLES	3-K14	5830	FRONT DOOR MECHANISMS (COUPE)			
3-G06	5230	BONNET	3-F15	5830A	FRONT DOOR MECHANISMS (CONVERTIBLE)			
3-J06	5260	TRUNK LID (CONVERTIBLE)	3-J15	5840	FRONT DOOR TRIMS & RELATED PARTS (COUPE)			
3-L06	5310	BODY PANELS (FRONT) (COUPE)	3-H16	5840A	FRONT DOOR TRIMS & RELATED PARTS (CONVERTIBLE)			
3-C07	531C A	BODY PANELS (FRONT) (CONVERTIBLE)						
3-F07	5320	BODY PANELS (FENDER & WHEEL ARCH)						
3-K07	5330	BODY PANELS (DASH & COWL PANEL)						
3-L07	5340	BODY PANELS (SIDE) (COUPE)						
3-E08	5340A	BODY PANELS (SIDE) (CONVERTIBLE)						
3-K08	5360	BODY PANELS (ROOF) (W/O SUN ROOF)						
3-L08	5360 A	BODY PANELS (ROOF) (SUN ROOF)						
3-M08	5370	BODY PANELS (FLOOR) (COUPE)						
3-D09	5370 A	BODY PANELS (FLOOR) (CONVERTIBLE)						
3-H09	5380	FLOOR ATTACHMENTS (HOLE COVERS)						



5840 FRONT DOOR TRIMS & RELATED PARTS
(COUPE)

5840 -6 FRONT DOOR TRIMS & RELATED PARTS
(COUPE)

FROM-TD



PART NO.	QTY	MODEL/RESTRICTION	MODEL/RESTRICTION	MODEL/RESTRICTION	FROM-TD
CONT'D					
19		FEO RED			
48		FD9 BLUE			
FC04-68-450 A (FC04-68-450A)	1				-9113
02		FDB BLACK			
19		FEO RED			
48		FD9 BLUE			
FC06-68-450 A (FC06-68-450A)	1				-9113
02		FDB BLACK			
19		FEO RED			
48		FD9 BLUE			
FC17-68-450 A (FC17-68-450A)	1				-9113
02		FDB BLACK			
48		FD9 BLUE			
FC01-68-450B A (FC01-68-450C)	1				9113-9116
02		FDB BLACK			
19		FEO RED			
48		FD9 BLUE			
FC02-68-450B A (FC02-68-450C)	1				9113-9116
02		FDB BLACK			
19		FEO RED			
48		FD9 BLUE			
FC04-68-450A A (FC04-68-450B)	1				9113-9307
02		FDB BLACK			
19		FEO RED			
48		FD9 BLUE			
FC06-68-450A A (FC06-68-450B)	1				9113-9307
02		FDB BLACK			
19		FEO RED			
48		FD9 BLUE			
FC17-68-450A A (FC17-68-450B)	1				9113-9307

9113 FC3MM-70067
9116 FC3MM-700111
9307 FC3MM-704476

1992-05

AUFA02

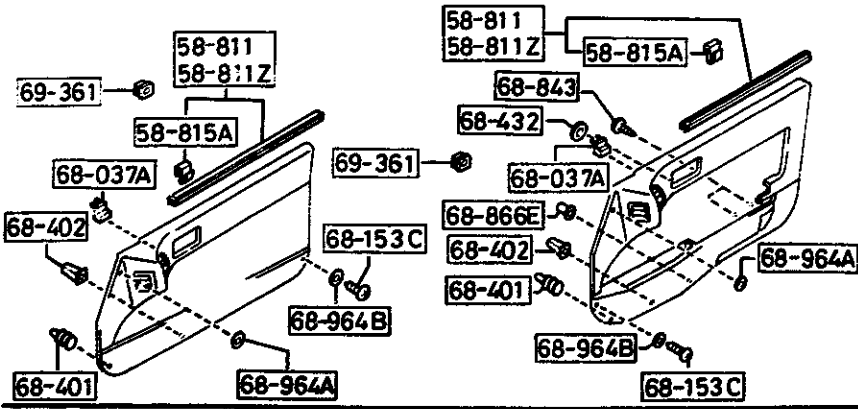
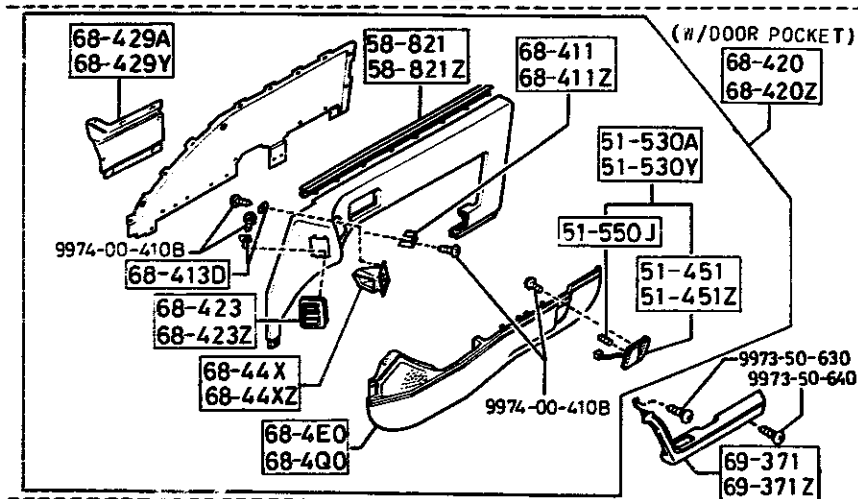
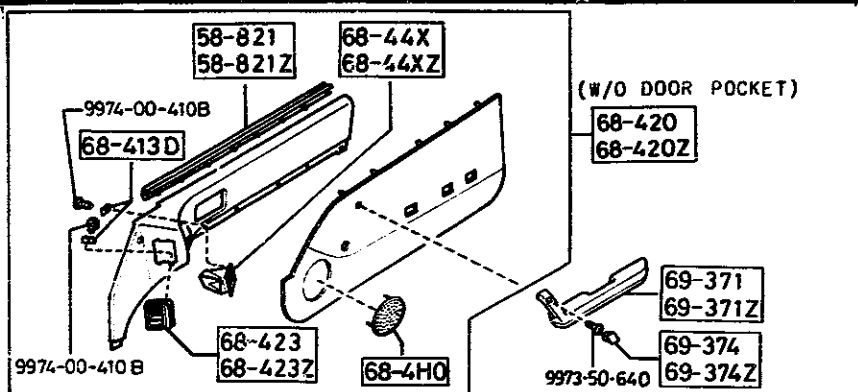
CAT. AUFA02-06

1992-05

5840 FRONT DOOR TRIMS & RELATED PARTS (COUPE)

5840 -7 FRONT DOOR TRIMS & RELATED PARTS (COUPE)

FROM-TO



PART NO.	QTY	MODEL/RESTRICTION	MODEL/RESTRICTION	MODEL/RESTRICTION	FROM-TO
CONT'D					
02		F08 BLACK			
48		F09 BLUE			
FC01-68-450C A (FC01-68-450D)	1				9116-9307
02		F08 BLACK			
19		F00 RED			
48		F09 BLUE			
FC02-68-450C A (FC02-68-450D)	1				9116-9307
02		F08 BLACK			
19		F00 RED			
48		F09 BLUE			
FC01-68-450D	1	GTU, (CLOTH-'A', W/O POCKE T)			9307-
02		F08 BLACK			
19		F00 RED			
48		F09 BLUE			
FC02-68-450D	1	GTUS, (CLOTH-'D', W/O POCKE T)			9307-
02		F08 BLACK			
19		F00 RED			
48		F09 BLUE			
FC04-68-450B	1	GXL, (CLOTH-F021X, W/POCKE T)			9307-
02		F08 BLACK			
19		F00 RED			
48		F09 BLUE			
FC06-68-450B	1	GXL-OPT. TURBO.-OPT. (LEATHER, W/POCKET)			9307-
02		F08 BLACK			
* 19		F00 RED			
48		F09 BLUE			
FC17-68-450B	1	TURBO, (CLOTH-F024X, W/POCKE T)			9307-
02		F08 BLACK			
9116 FCSMM-700111 9307 FCSMM-704476					

1992-05

AUFA02

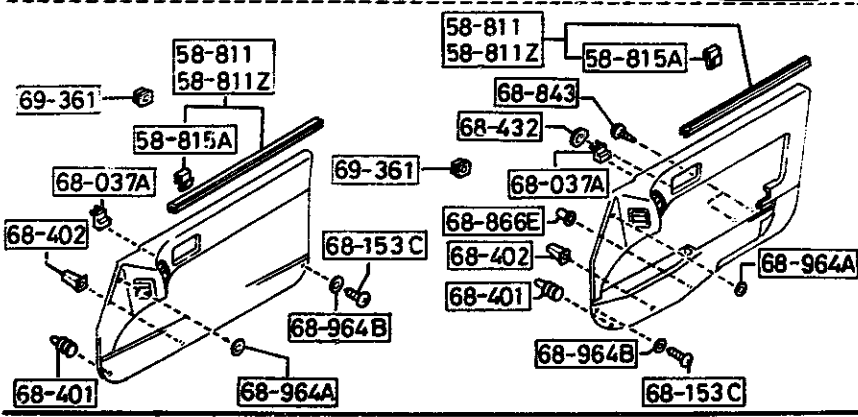
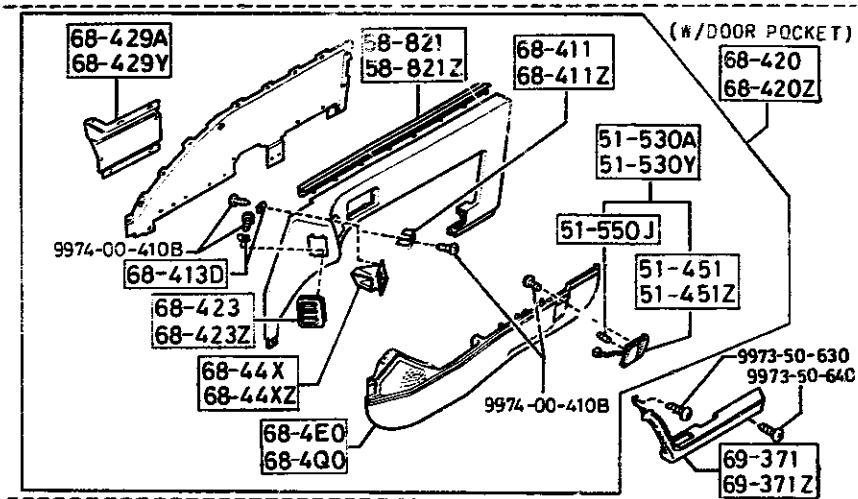
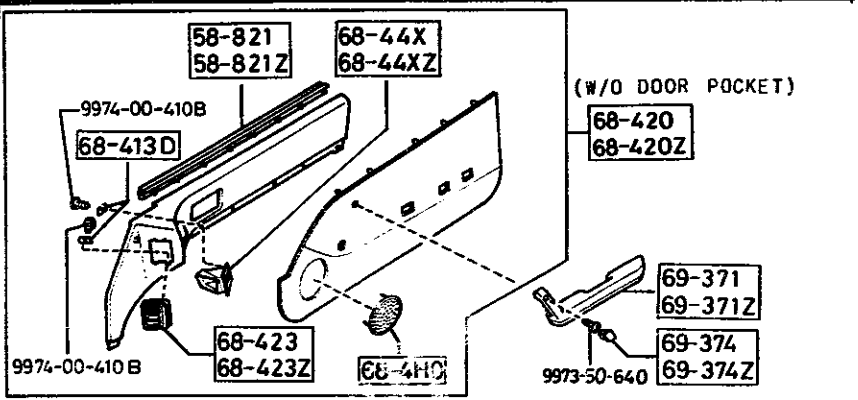
CAT. AUFA02-06

1992-05

3-D16

5840 FRONT DOOR TRIMS & RELATED PARTS (COUPE)

5840 -8 FRONT DOOR TRIMS & RELATED PARTS (COUPE)



PART NO.	QTY	MODEL/RESTRICTION	MODEL/RESTRICTION	MODEL/RESTRICTION	FROM TO
CONT'D					
48		FD9 BLUE			
68-423		COVER(R),DUST-DOOR T RIM			
FB01-68-423	1				
02		FD8 FE1 BLACK			
19		FE0 RED			
48		FD9 BLUE			
68-423Z		COVER(L),DUST-DOOR T RIM			
FB01-68-453	1				
02		FD8 FE1 BLACK			
19		FE0 RED			
48		FD9 BLUE			
68-429A		COVER(R),POCKET-DOOR TRIM			
FC04-68-433	1	GXL, TURBO, (W/DOOR POCKET)			
02		FD8 FE1 BLACK			
19		FE0 RED			
48		FD9 BLUE			
68-429Y		COVER(L),POCKET-DOOR TRIM			
FC04-68-463	1	GXL, TURBO, (W/DOOR POCKET)			
02		FD8 FE1 BLACK			
19		FE0 RED			
48		FD9 BLUE			
68-432		NUT,SPEED			
G033-68-432	2	GXL, TURBO, (W/DOOR POCKET)			
68-44X		GRILLE(R),VENT.-DOOR TRIM			
FB01-68-44X	1				
02		FD8 FE1 BLACK			
19		FE0 RED			
48		FD9 BLUE			
68-44XZ		GRILLE(L),VENT.-DOOR TRIM			

FP04-T9

1992-05

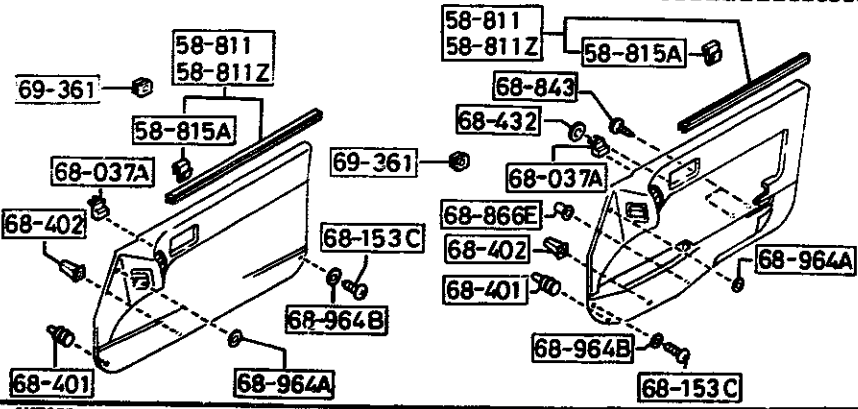
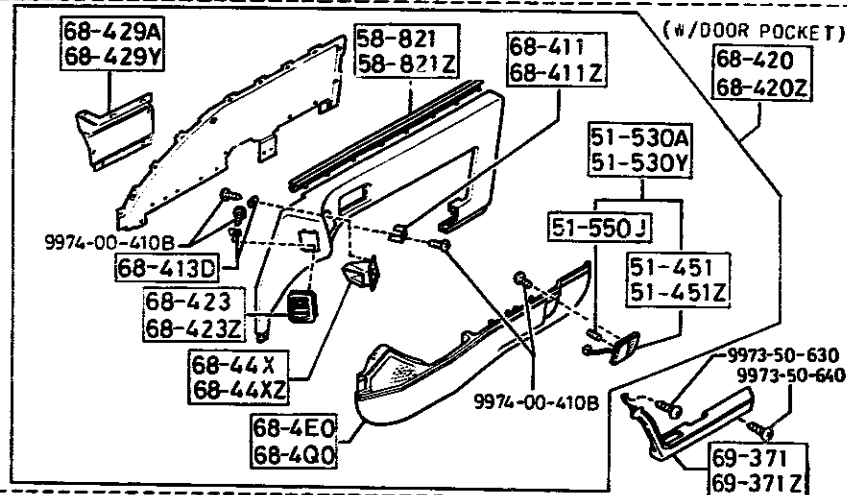
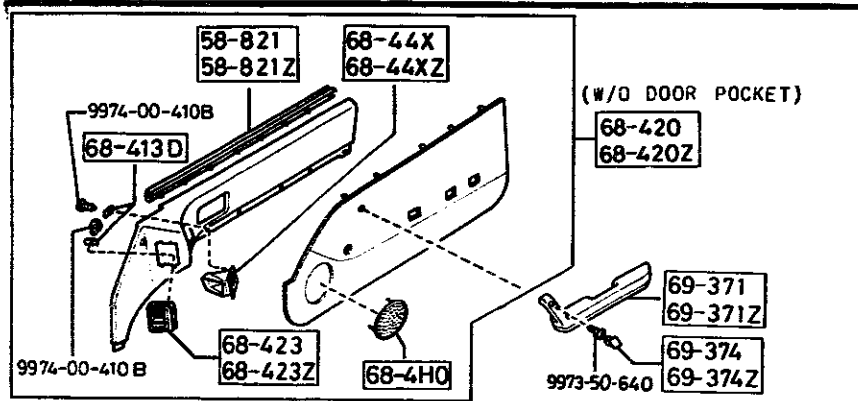
AUFA02

CAT. AUFA02-06

1992-05

5840 FRONT DOOR TRIMS & RELATED PARTS (COUPE)

5840 -9 FRONT DOOR TRIMS & RELATED PARTS (COUPE)



PART NO.	QTY	MODEL/RESTRICTION	MODEL/RESTRICTION	MODEL/RESTRICTION	FROM-TO
CONT'D FB01-68-47X	1				
02		FD8 FE1 BLACK			
19		FE0 RED			
48		FD9 BLUE			
68-843		SCREW, TAPPING			
UB39-68-805	4				
68-866E		FASTENER, SEAL			
0187-58-922	2				
68-964A		WASHER			
G030-68-964C	2				
02		FD8 FE1 BLACK			
19		FE0 RED			
48		FD9 BLUE			
68-964B		WASHER			
FB01-68-427	2				
02		FD8 FE1 BLACK			
19		FE0 RED			
48		FD9 BLUE			
69-361		GROMMET, SCREW			
B316-69-361	12				
69-371		REST(R), ARM			
FB01-69-370	1	GXL, TURBD. (W/DOOR POCKET)			
02		FD8 FE1 BLACK			
19		FE0 RED			
48		FD9 BLUE			
FB02-69-370	1	GTU, GTUS. (W/O DOOR POCKET)			
02		FD8 FE1 BLACK			
19		FE0 RED			
48		FD9 BLUE			

FROM-T9

-9216

9216-

1992-05

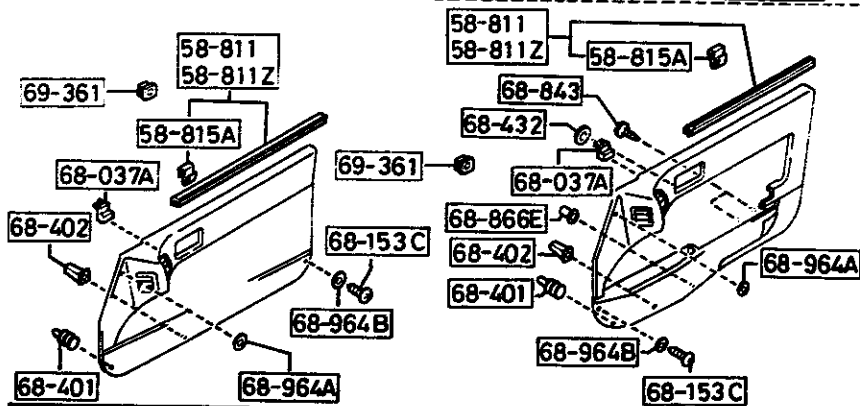
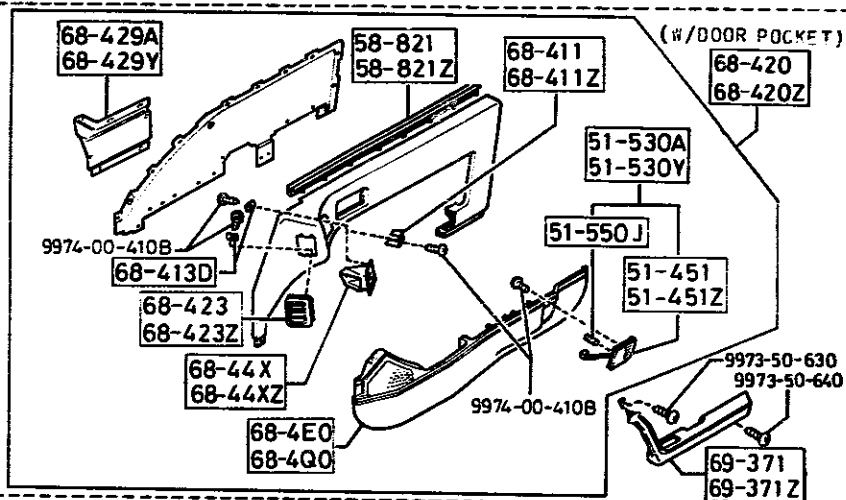
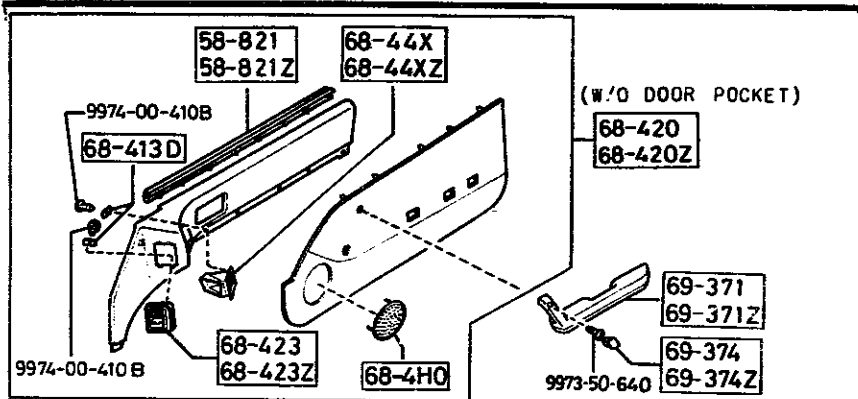
AUFA02

CAT. AUFA02-06

1992-05

5840 FRONT DOOR TRIMS & RELATED PARTS (COUPE)

5840 -10* FRONT DOOR TRIMS & RELATED PARTS (COUPE)



PART NO.	QTY	MODEL/RESTRICTION	MODEL/RESTRICTION	MODEL/RESTRICTION	FROM-TO
69-371Z		REST(L),ARM			
FB01-69-390	1	GXL, TURBO, (W/DOOR POCKET)			
02		FD8 FE1 BLACK			
19		FE0 RED			
48		FD9 BLUE			
FB02-69-390	1	GTU, GTUS, (W/O DOOR POCKET)			
02		FD8 FE1 BLACK			
19		FE0 RED			
48		FD9 BLUE			
69-374		CAP(R),PULL HANDLE			
BF70-69-372	1	GTU, GTUS, (W/O DOOR POCKET)			
02		FD8 FE1 BLACK			
19		FE0 RED			
48		FD9 BLUE			
69-374Z		CAP(L),PULL HANDLE			
3F70-69-392	1	GTU, GTUS, (W/O DOOR POCKET)			
02		FD8 FE1 BLACK			
19		FE0 RED			
48		FD9 BLUE			

AUFA02

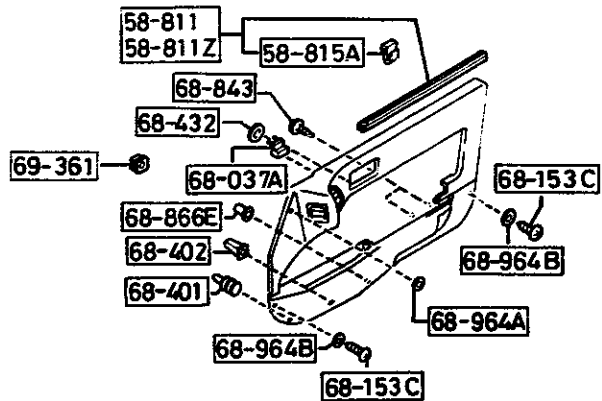
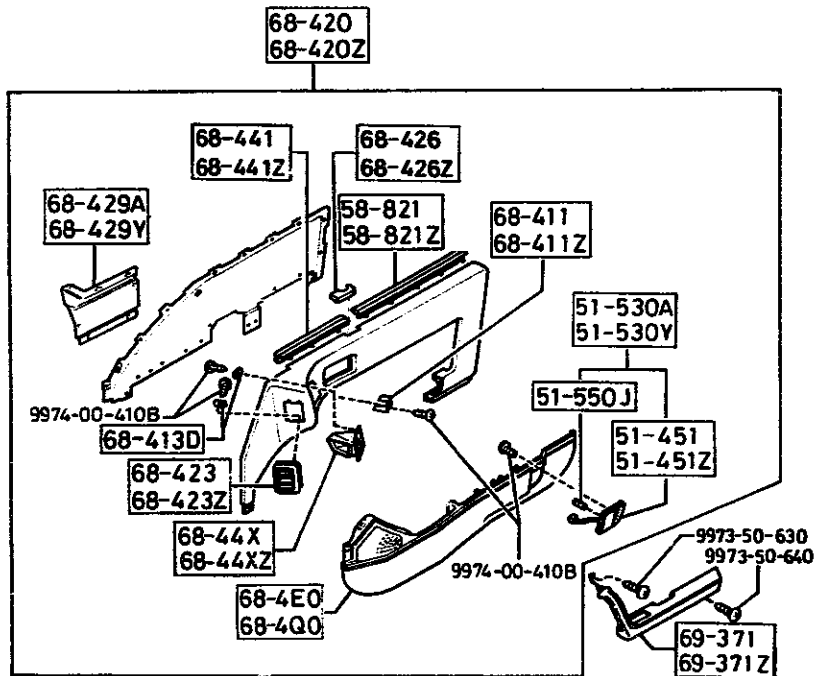
CAT. AUFA02-06

1992-05

5840A FRONT DOOR TRIMS & RELATED PARTS (CONVERTIBLE)

5840A -1 FRONT DOOR TRIMS & RELATED PARTS (CONVERTIBLE)

FROM-TO



PART NO.	QTY	MODEL/RESTRICTION	MODEL/RESTRICTION	MODEL/RESTRICTION	FROM-TO
51-451		LENS(R), COURTESY LAMP			
FB05-51-531	1				
51-451Z		LENS(L), COURTESY LAMP			
FB05-51-591	1				
51-530A		LAMP(R), COURTESY-DR TRIM			
FB05-51-530	1				
51-530Y		LAMP(L), COURTESY-DR TRIM			
FB05-51-590	1				
51-550J		BULB			
99701-6040	2	12V 3.8W			
58-811		WEATHERSTRIP(R), OUT.			
FB67-58-810D	1				
58-811Z		WEATHERSTRIP(L), OUT.			
FB67-59-810D	1				
58-815A		CLIP, WEATHERSTRIP-OUTER			
FB01-58-815	12				
58-821		WEATHERSTRIP(R), INN.			
FB67-58-821	1				
58-821Z		WEATHERSTRIP(L), INN.			
FB67-59-821	1				
68-037A		GROMMET, SCREW			
FB01-68-403	2				
68-153C		SCREW, TAPPING			
FB01-68-425	4				
02		F08 FE1 BLACK			
48		F09 BLUE			
68-4E0		PLATE(R), KICK-D. TRIM			
FC04-68-4E0	1				

9113 FC3NN-700067

-9113

-0319
0319-
-0319
0319-

1992-05

AUFA02

CAT. AUFA02-06

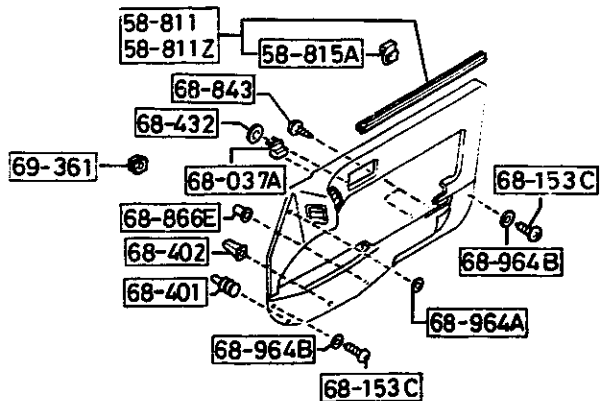
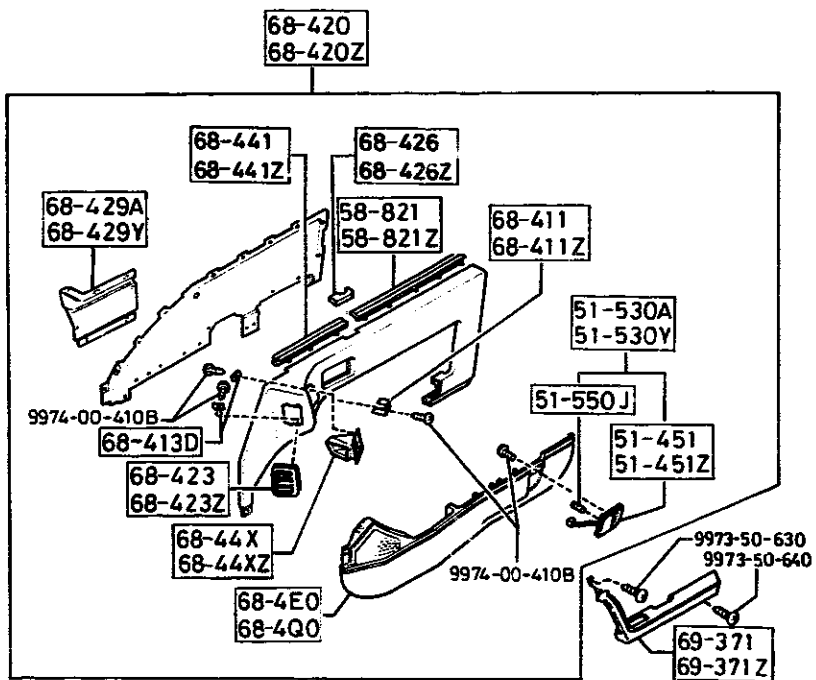
1992-05

3-H16

5840A FRONT DOOR TRIMS & RELATED PARTS (CONVERTIBLE)

5840A -2 FRONT DOOR TRIMS & RELATED PARTS (CONVERTIBLE)

FROM-TO



PART NO.	QTY	MODEL/RESTRICTION	MODEL/RESTRICTION	MODEL/RESTRICTION	FROM-TO
CONT'D					
A (FC04-68-4E0A)					
02		FD8 BLACK			
48		FD9 BLUE			
FC04-68-4E0A	1				9113-9701
A (FC04-68-4E0B)					
02		FD8 BLACK			
48		FD9 BLUE			
FC04-68-4E0B	1				9701-
02		FD8 BLACK			
48		FD9 BLUE			
68-400		PLATE(L),KICK-D.TRIM			
FC04-68-400	1				-9113
A (FC04-68-400A)					
02		FD8 BLACK			
48		FD9 BLUE			
FC04-68-400A	1				9113-9701
A (FC04-68-400B)					
02		FD8 BLACK			
48		FD9 BLUE			
FC04-68-400B	1				9701-
02		FD8 BLACK			
48		FD9 BLUE			
68-401		FASTENER,DOOR TRIM			
B100-68-401	16				
68-402		GROMMET,SCREW			
FA54-68-402	8				
68-411		BRKT NO.1(R),GRILLE-TRIM			
FB01-68-414	1				
68-411Z		BRKT NO.1(L),GRILLE-TRIM			
FB01-68-415	1				
68-413D		WASHER			
FB01-68-413	10				

9113 FC3NNN-700067
9701 FC3NNN-709151

1992-05

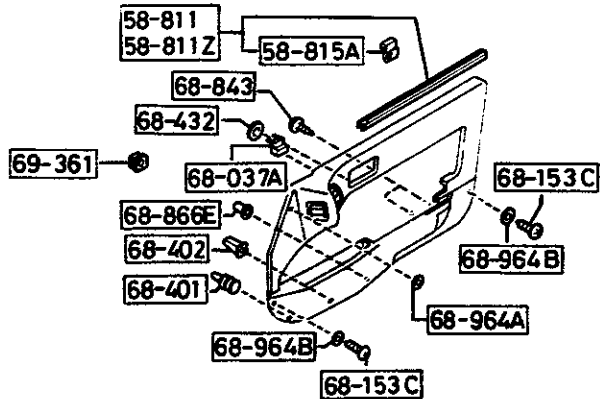
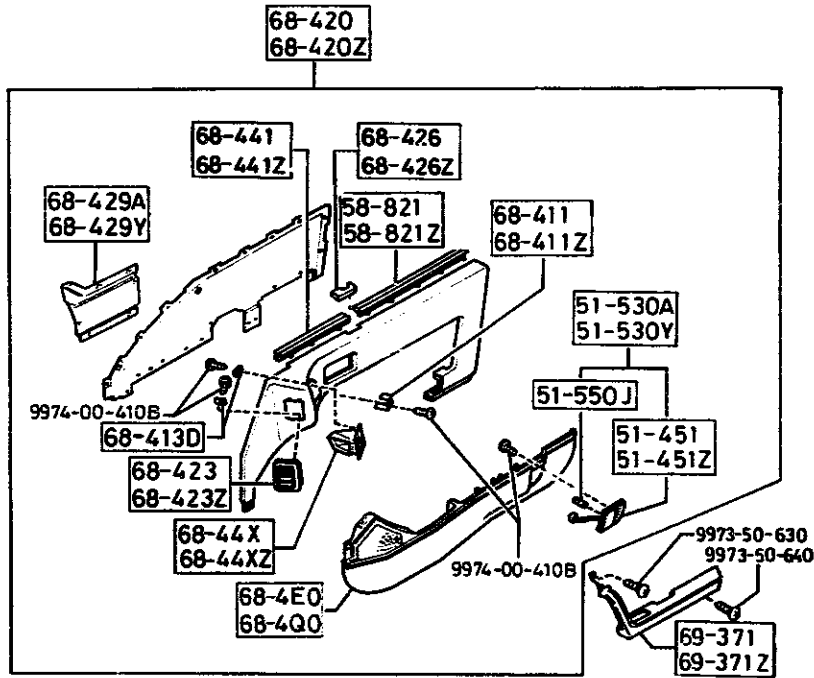
AUFA02

CAT. AUFA02-06

1992-05

5840A FRONT DOOR TRIMS & RELATED PARTS
(CONVERTIBLE)

5840A -3 FRONT DOOR TRIMS & RELATED PARTS
(CONVERTIBLE)



PART NO.	QTY	MODEL/RESTRICTION	MODEL/RESTRICTION	MODEL/RESTRICTION	FROM-TO
68-420		TRIM(R), DOOR			
FC33-68-420 A (FC33-68-420A)	1				-9113
02		FD8 BLACK			
48		FD9 BLUE			
FC33-68-420A A (FC33-68-420B)	1				9113-9307
02		FD8 BLACK			
48		FD9 BLUE			
FC33-68-420B	1				9307-
02		FD8 BLACK			
48		FD9 BLUE			
68-420Z		TRIM(L), DOOR			
FC33-68-450 A (FC33-68-450A)	1				-9113
02		FD8 BLACK			
48		FD9 BLUE			
FC33-68-450A A (FC33-68-450B)	1				9113-9307
02		FD8 BLACK			
48		FD9 BLUE			
FC33-68-450B	1				9307-
02		FD8 BLACK			
48		FD9 BLUE			
68-423		COVER(R), DUST-DOOR T RIM			
FB01-68-423	1				
02		FD8 FE1 BLACK			
48		FD9 BLUE			
68-423Z		COVER(L), DUST-DOOR T RIM			
FB01-68-453	1				
02		FD8 FE1 BLACK			
48		FD9 BLUE			
68-426		VESSEL(R), CHANNEL			
FB67-68-426	1				

9113 FC33NN-70067
9307 FC33NN-704476

FROM-TO

1992-05

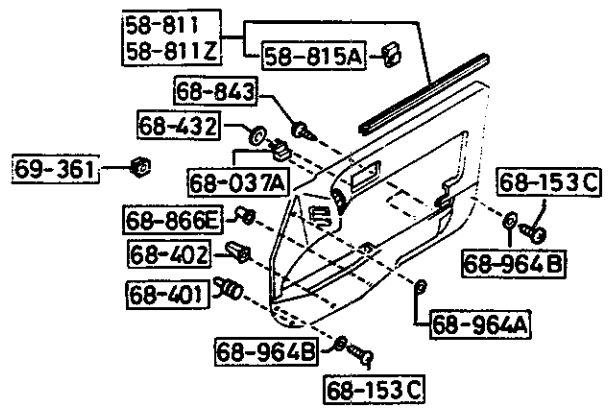
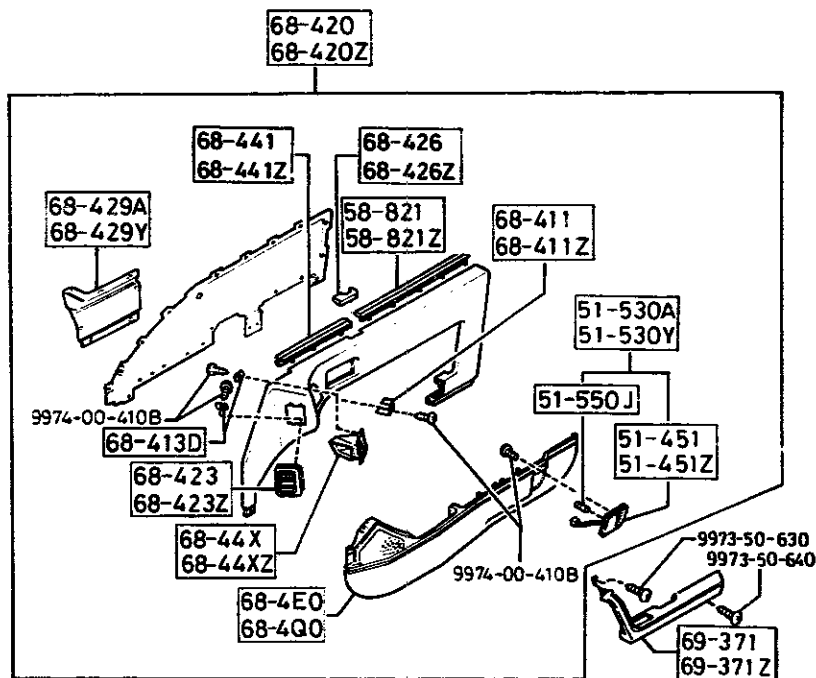
AUFA02

CAT. AUFA02-06

1992-05

3-J16

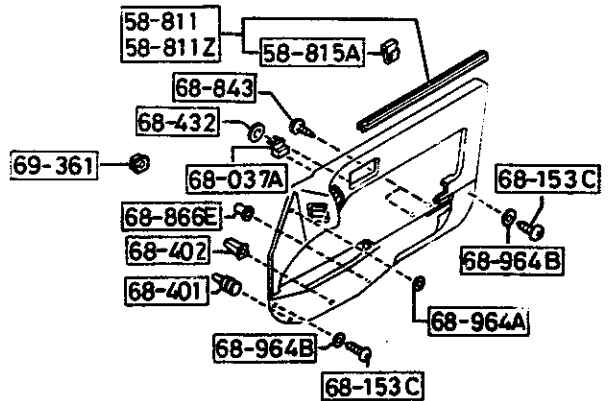
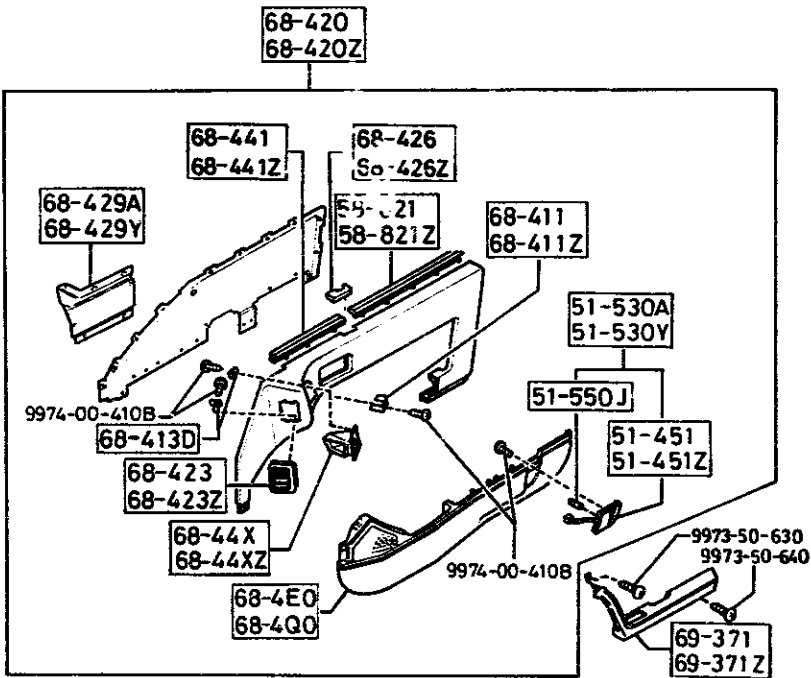
FPDM-TD
-9113
9113-9701
9701-
-9113
9113-9701
9701-
1992-05



PART NO.	QTY	MODEL/RESTRICTION	MODEL/RESTRICTION	MODEL/RESTRICTION	FPDM-TD
68-426Z		VESSEL(L), CHANNEL			
FB67-68-456	1				
68-429A		COVER(R), POCKET-DOOR TRIM			
FC04-68-433	1				
02		F08 FE1 BLACK			
48		FD9 BLUE			
68-429Y		COVER(L), POCKET-DOOR TRIM			
FC04-68-463	1				
02		F08 FE1 BLACK			
48		FD9 BLUE			
68-432		NUT, SPEED			
G033-68-432	2				
68-44X		GRILLE(R), VENT.-DOOR TRIM			
FB01-68-44X	1				
02		F08 FE1 BLACK			
48		FD9 BLUE			
68-44XZ		GRILLE(L), VENT.-DOOR TRIM			
FB01-68-47X	1				
02		F08 FE1 BLACK			
48		FD9 BLUE			
68-441		GARNISH(R), DOOR			
FB67-68-422	1				
68-441Z		GARNISH(L), DOOR			
FB67-68-452	1				
68-843		SCREW, TAPPING			
UB39-68-805	4				
68-866E		FASTENER, SEAL			
0187-58-922	2				
68-964A		WASHER			

5840A FRONT DOOR TRIMS & RELATED PARTS
(CONVERTIBLE)

5840A -5 * FRONT DOOR TRIMS & RELATED PARTS
(CONVERTIBLE)



PART NO.	QTY	MODEL/RESTRICTION	MODEL/RESTRICTION	MODEL/RESTRICTION	FROM-TO
CONT'D					
G030-68-964C	2				
02		FD8 FE1 BLACK			
48		FD9 BLUE			
68-964B		WASHER			
F801-68-427	4				
02		FD8 FE1 BLACK			
48		FD9 BLUE			
69-361		GROMMET, SCREW			
B316-69-361	12				
69-371		REST(R), ARM			
F801-69-370	1				
02		FD8 FE1 BLACK			
48		FD9 BLUE			
69-371Z		REST(L), ARM			
F801-69-390	1				
02		FD8 FE1 BLACK			
48		FD9 BLUE			